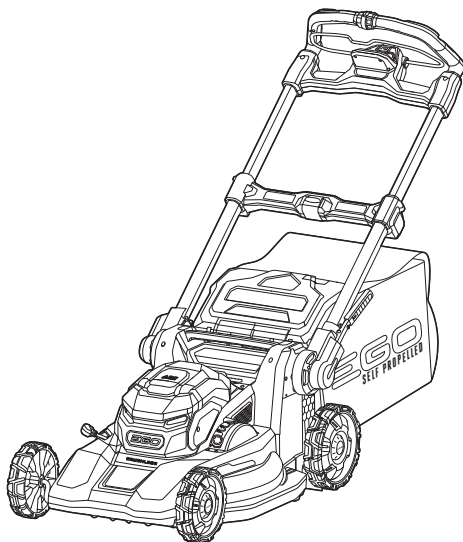


# EGO™

## POWER<sup>+</sup> MOWER

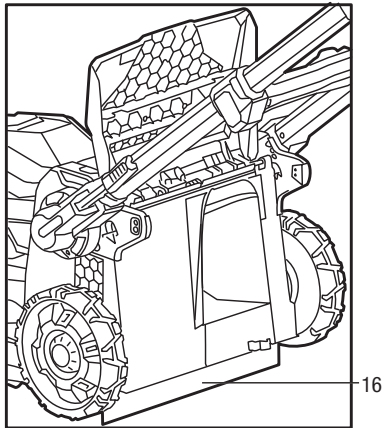
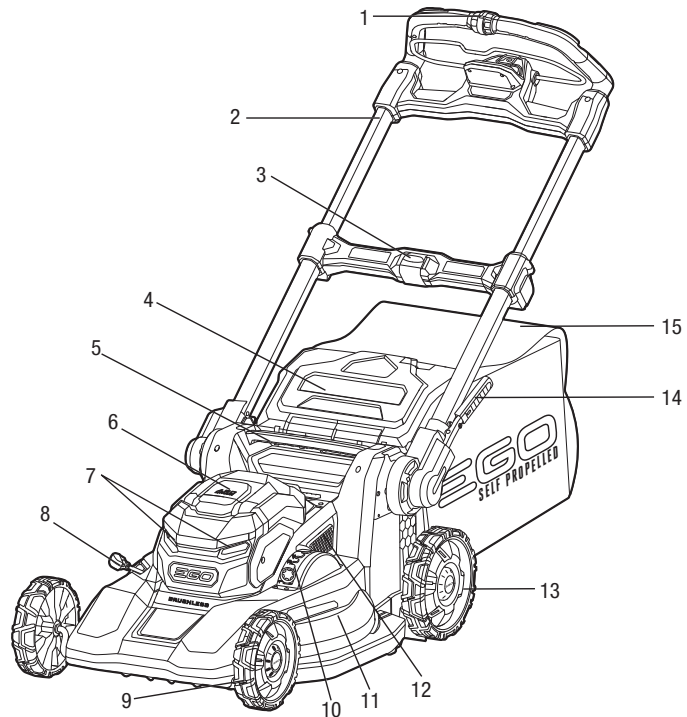


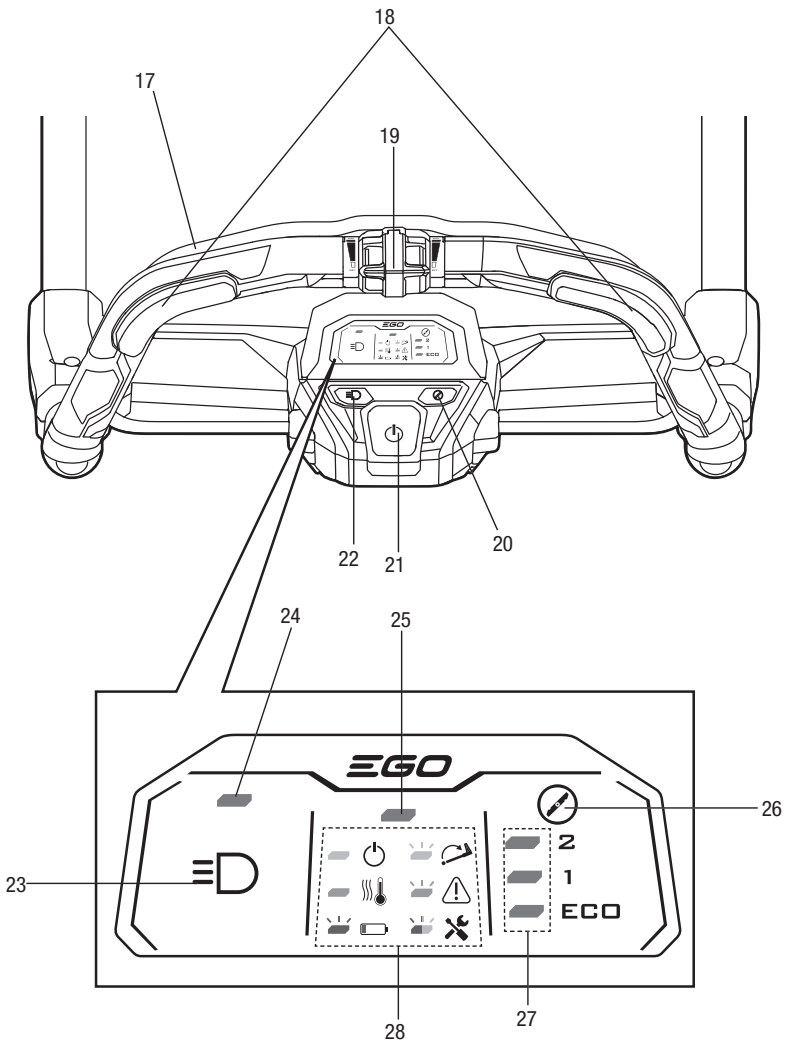
### LM2230E-SP

### 56 VOLT LITHIUM-ION CORDLESS MOWER

EN	56 volt lithium-ion cordless mower	9	SL	56-voltna litij-ionaska brezžična kosilnica	175
DE	56-volt-lithium-ionen-akku-rasenmäher	18	LT	Belaidė vejapjovė su 56 voltų ličio jonų baterija	184
FR	Tondeuse sans fil à batterie lithium-ion 56 volts	29	LV	56 voltu litija jonu bezvadu zāles pļāvējs	193
ES	Cortacésped inalámbrico con batería de iones de litio de 56 voltios	39	GR	Ασύρματη χλοοκοπτική μηχανή ιοντων λιθίου 56	203
PT	Máquina de cortar relva sem fios de 56 volts de ião de lítio	50	TR	56 volt lityum-iyon akülü çim biçme makinesi	215
IT	Tosaerba cordless li-ion 56 volt	60	ET	56-voldise liitiumioonakuga niiduk	224
NL	56 volt lithium-ion accumaaiër	70	UK	бездротова косарка з літій-іонним акумулятором на 56 вольт	233
DK	56 volt litium-ion batteridrevet plæneklipper	81	BG	56-волтова литиево-йонна акумулаторна косачка	243
SE	56 volt litium-jon sladdlös gräsklippare	90	HR	56 V litij-ionaska baterijska kosilica	254
FI	56 voltin litium-ioni-akkuvoihonleikkuri	99	KA	56 ვოლტ-იონი ლითიუმ-იონის უსადენო სათიბო	263
NO	56 volt lithium-ion slipper	108	SR	Bežična kosilica sa litijum-jonskom baterijom od 56 volti	275
RU	Аккумуляторная газонокосилка с литий-ионным аккумулятором 56 в	117	BS	Akumulatorska kosilica s litij-jonskom baterijom od 56 V	284
PL	Kosiarka akumulatorowa litowo-jonowa 56 V	128	HE	יוניום-יתיל תללוס עם תיטוחלא אשד תחסכמ 56 טלון	311
CZ	56 voltová lithium-iontová akumulátorová sekačka	138	AR	نوي-إيجويشييل فير اطيبب فيكلسال تزازج تلوف 56	302
SK	56 V litium-iónová akumulátorová kosačka	147			
HU	56 voltos lítium-ion akkumulátoros fűnyíró	156			
RO	Mașină de tuns iarba fără fir litiu-ion de 56 volți	165			

A1

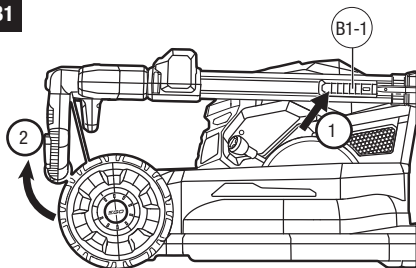
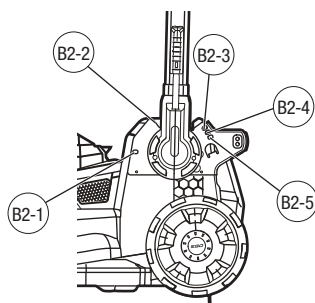
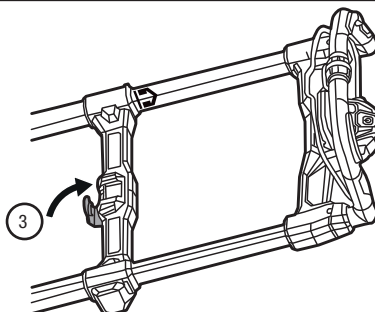
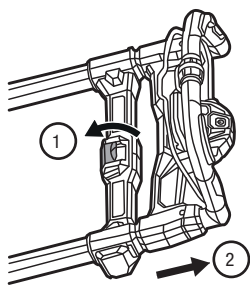
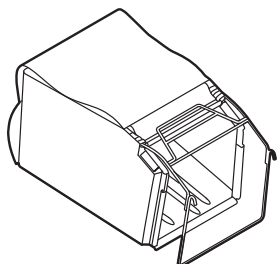
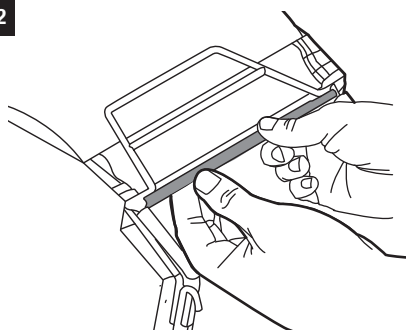




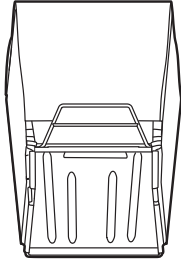
**A3**

BA1400, BA2800,  
BA4200, BA1400T,  
BA2240T, BA2242T,  
BA2800T, BA3360T,  
BA4200T, BA5600T,  
BA6720T, BA4480X

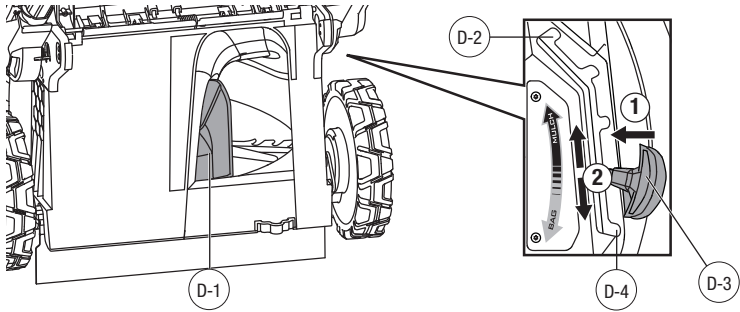
CH2100E,  
CH3200E,  
CH5500E,  
CH7000E,  
CH7000E-T

**B1****B2****B3****C1****C2**

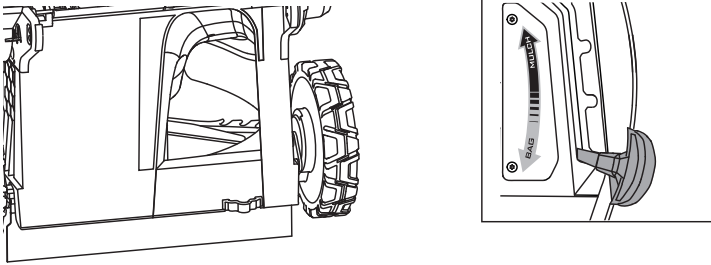
C3



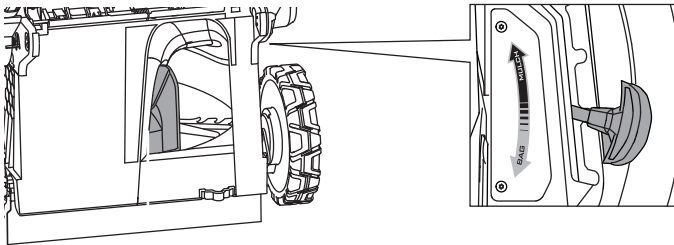
D



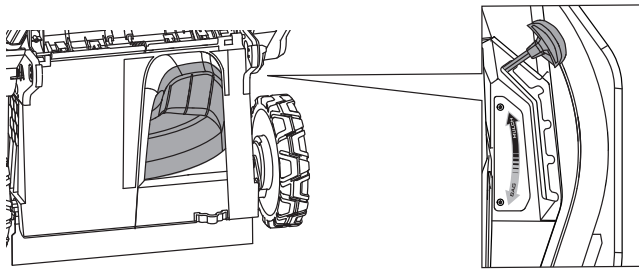
E1



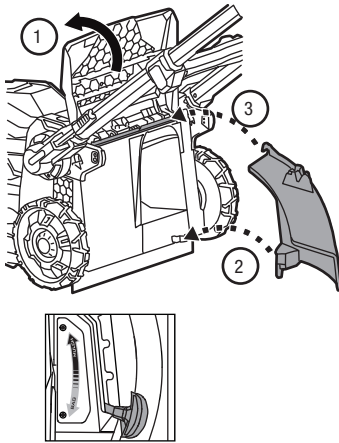
E2



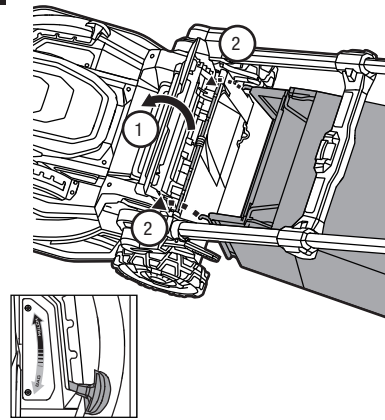
E3



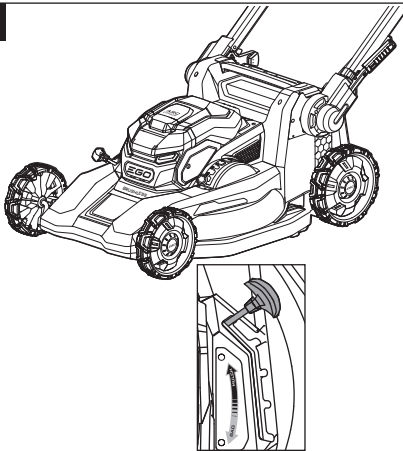
F



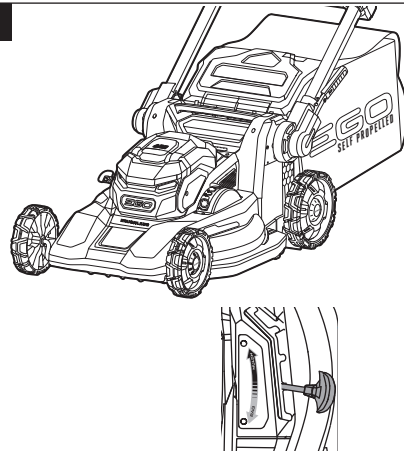
G

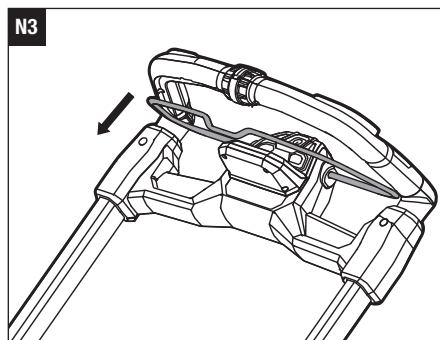
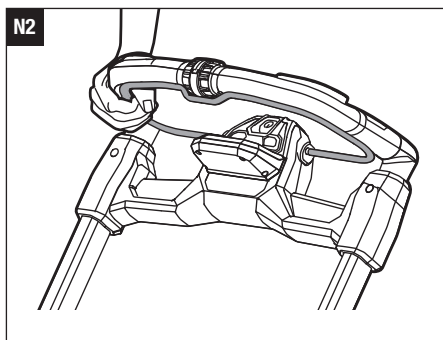
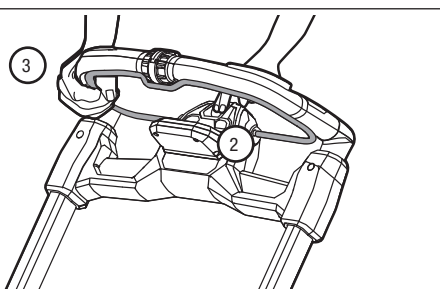
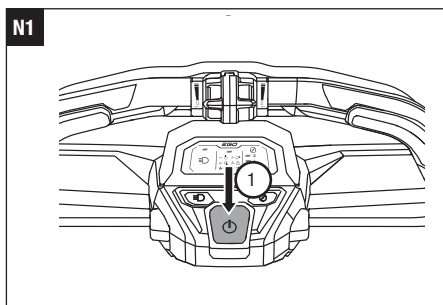
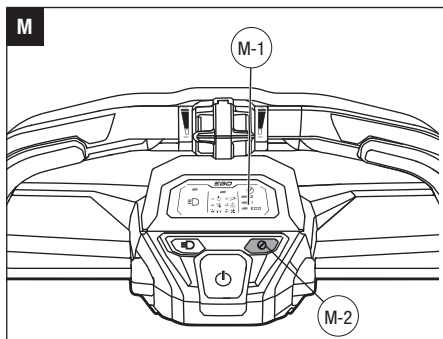
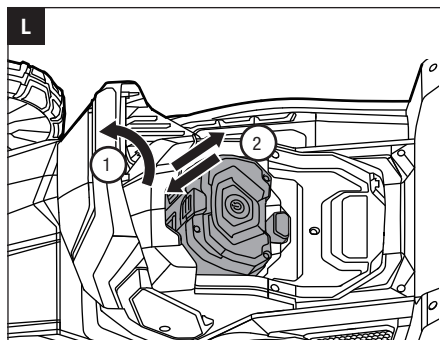
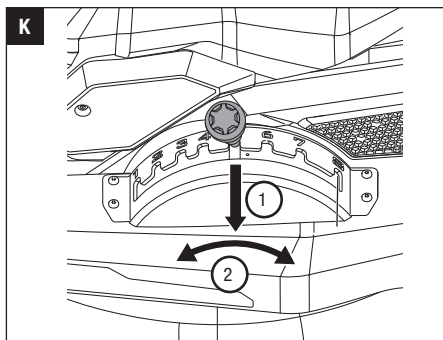


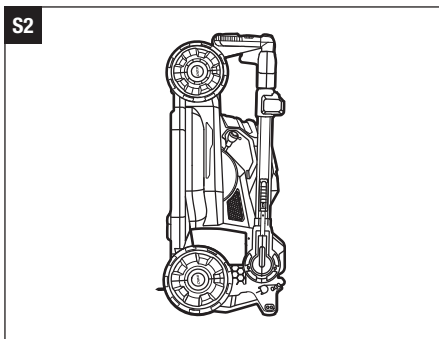
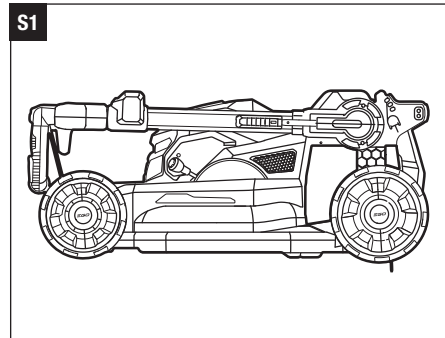
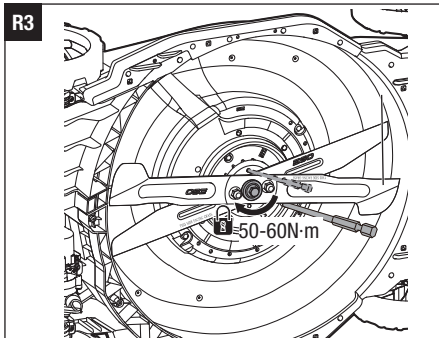
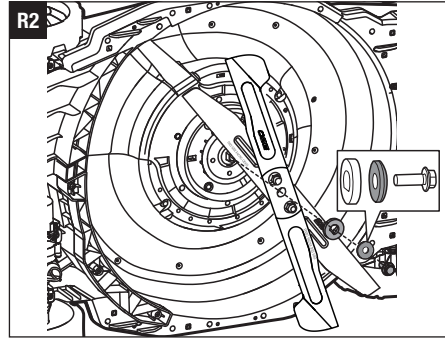
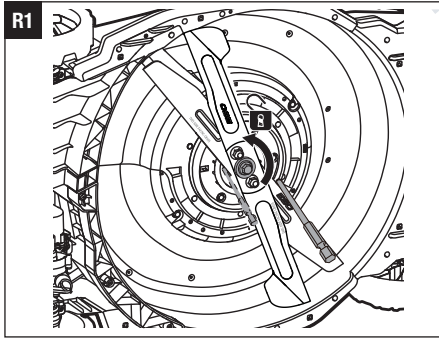
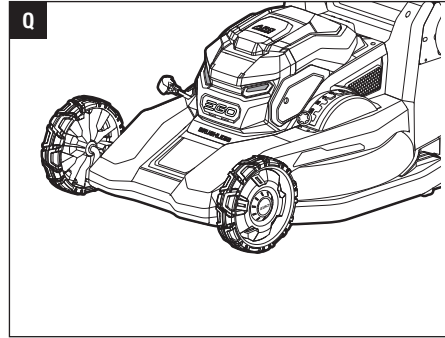
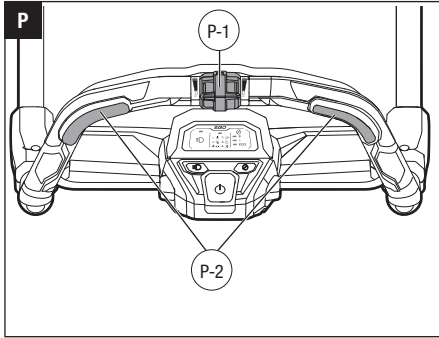
H



J







EGO Europe GmbH  
Autenbachstraße 11, 71711 Steinheim an der Murr, Germany

Chervon Europe Ltd  
The Anchorage, 34 Bridge Street Reading, RG1 2LU, United Kingdom



## READ ALL INSTRUCTIONS!

**Intended use:** The product is intended for manual lawn mowing:

- Use only for mowing dry grass. Do not mow wet grass.
- Do not use it for any other purposes.

**WARNING:** Be sure to read and understand all safety instructions in this Operator's Manual, including all safety alert symbols such as "**DANGER**", "**WARNING**" and "**CAUTION**" before using this machine. Failure to follow all instructions listed below may result in electric shock, fire, and/or serious personal injury.

## SAFETY SYMBOLS



Safety Alert



Always wear hearing protection, safety goggles or safety glasses with side shields and a full face shield when operating this product.



Beware of thrown objects – keep bystanders away.



Keep hand away



Guaranteed sound power level.



This product is in accordance with applicable UK legislation.

IPX4

Protection from splashing water

mm

Millimeter



Direct Current



To reduce the risk of injury, user must read and understand operator's manual before using this product.



Switch off and remove detachable battery pack (or disabling device) before adjusting or cleaning.



Keep hands and feet away from the blades



Do not stare at operating lamp.



This product is in accordance with applicable EC directives.



Waste electrical products should not be disposed of with household waste. Take to an authorized recycler.

V

Volt


cm

Centimeter

kg

Kilogram

## SPECIFICATIONS

Voltage	56 V 	
Blade Speed Mode	2	
	1	
	ECO	
Cutting-Height Positions	8	
Cutting-Height Setting	25 mm/33 mm/43 mm/ 54 mm/66 mm/79 mm/ 92 mm/105 mm	
Cutting Width	55 cm	
Grass Bag Volume	85 L	
Mower Weight (with grass bag and battery BA6720T)	37 kg	
Blade Set Model	AB2212D-E	
Recommended Operating Temperature	0°C - 40°C	
Recommended Storage Temperature	-20°C - 70°C	
Measured sound power level $L_{WA}$	95 dB(A) K=0.7 dB(A)	
Sound pressure level at operator's ear $L_{PA}$	83 dB(A) K=3 dB(A)	
Guaranteed sound power level $L_{WA}$ (measured according to 2000/14/EC)	96 dB(A)	
Valuation of vibration $a_{Hv}$ :	Left handle	1.35 m/s <sup>2</sup> K=1.5 m/s <sup>2</sup>
	Right handle	1.35 m/s <sup>2</sup> K=1.5 m/s <sup>2</sup>

- The declared vibration total value has been measured in accordance with a standard test method and may be used for comparing one machine with another.
- The declared vibration total value may also be used in a preliminary assessment of exposure.

**⚠ WARNING:** The vibration emission during actual use of the machine can differ from the declared value in which the machine is used. In order to protect the operator, user should wear gloves and ear protectors in the actual conditions of use.

**⚠ WARNING:** Need to identify safety measures to protect the operator that are based on an estimation of exposure in the actual conditions of use (taking account of all parts of the operating cycle such as the times when the tool is switched off and when it is running idle in addition to the trigger time).

## PACKING LIST (FIG. A1 & A2)

PART NAME	QUANTITY
Lawn Mower	1
Grass Bag	1
Grass-bag Frame	1
Operator's Manual	1

## DESCRIPTION

### KNOW YOUR MOWER (Fig. A1 & A2)

- Handle
- Side Rail
- Handle-locking Clamp
- Rear Discharge Door
- Lift Handle
- Battery Compartment Cover
- LED Headlights
- Clip Selector Knob
- Front Wheel
- Cutting-height Adjustment Knob
- Deck
- Air Intake
- Rear Wheel
- Quick-adjust Lever
- Grass Bag
- Trailing Shield
- Blade Rotation Trigger
- Self-propel Trigger
- Self-propel Speed Dial
- Blade Speed Mode Button
- Power Button
- LED Headlights Button
- LED Headlights Icon
- LED Headlights Indicator
- Mower Status Indicator
- Blade Icon
- Blade Speed Mode Indicator
- Mower Status Icon

## ASSEMBLY

**⚠ WARNING:** If any parts are damaged or missing, do not operate this product until the parts are replaced. Use of this product with damaged or missing parts could result in serious personal injury.

**⚠ WARNING:** To prevent accidental starting that could cause serious personal injury, always remove the battery pack from the machine when assembling parts.

**⚠ WARNING:** Do not attempt to modify this machine or create accessories not recommended for use with this mower. Any such alteration or modification is misuse and could result in a hazardous condition leading to serious injury.

### UNPACKING

- Remove all the accessories from the carton.
- Grasp the front of mower and the lift handle at the same time to carefully lift the mower up and out of the carton.

### ADJUSTING THE FOLDABLE HANDLE

**⚠ WARNING:** Do not attempt to start the mower until the handle has been locked at one of the three preset operating positions: UPPER OPERATING POSITION, MIDDLE OPERATING POSITION and LOWER OPERATING POSITION.

1. Press and hold the quick-adjust lever to release the handle from the LOCKED STORAGE POSITION (Fig. B1).

B1-1	Quick-adjust Lever
------	--------------------

2. Lift the handle from its folded position, then release the lever. Gently pivot the handle upward until you hear and feel the lock pin engage in one of the following different positions as shown in the Fig. B2.

B2-1	Locked Storage Position	B2-2	Grass Bag Attachment/Removal Position
B2-3	Upper Operating Position	B2-4	Middle Operating Position
B2-5	Lower Operating Position		

3. Fully extend the side rails and securely close the handle-locking clamp (Fig. B3)

**NOTE:** The motor cannot be started unless:

- The side rails are fully extended.
- The green handle-locking clamp is securely closed.

- The handle is locked into one of the three operating positions.

### ASSEMBLING THE GRASS BAG (Fig. C1, C2, C3)

Check the grass bag before assembling, to make sure that there is no damage.

Assemble the grass bag as illustrated.

### CLIP SELECTOR KNOB (Fig. D)

Place the clip selector knob in any one of the five positions to achieve the desired mowing results.

The knob can adjust a sliding door from the fully open, "BAG" position to the fully closed, "MULCH" position.

By adjusting the clip selector knob, various mowing conditions can be met.

**To reposition the knob,** pull the knob out of the detent and set it to the desired position.

**NOTICE:** If a high resistance is noticed when moving the clip selection knob from side-to-side, excessive grass may have built up on top of the sliding door. Clear grass beneath the mower deck after each use.

D-1	Sliding Door	D-2	"MULCH" Position
D-3	Clip Selector Knob	D-4	"BAG" Position

### SLIDING DOOR POSITION

The sliding door can be positioned to produce different mowing results. To learn the difference among positions, install a grass bag and begin mowing with the clip selector knob all the way to the "BAG" position. Check the appearance of the lawn. As the knob is moved towards the "MULCH" position, more grass will be recycled back into the lawn. Adjust the clip selector knob until the desired result is achieved. The bagging/mulching hybrid mode will result a clean and fine cut.

- **Clip selector knob in "BAG" position,** the sliding door is fully open, allowing all the grass clippings to enter into the bag (Fig. E1).
- **Clip selector knob in bagging/mulching hybrid positions,** the sliding door is partially closed. Some clippings will go into the bag, and some will be finely mulched and directed onto the ground (Fig. E2).
- **Clip selector knob in "MULCH" position,** the sliding door is fully closed. All clippings will be finely mulched and directed to the ground (Fig. E3).

## SIDE DISCHARGING

### To attach/remove the side-discharge chute (sold separately)

**NOTICE:** Make sure that the underside of the deck is clean before using the side-discharge chute.

- Remove the grass bag and set the clip selector knob in the “BAG” position.
- Install the side-discharge chute into the mower as shown in Fig. F.

## FULL BAGGING

### To attach/remove the grass bag

**⚠ WARNING:** Under normal usage, the grass bag material is subject to wear. To reduce the risk of injury, frequently inspect the grass bag and replace the bag if there are any signs of wear or deterioration. Use only grass bags manufactured for this mower.

**NOTICE:** Make sure that the underside of the deck is clean before using the grass bag.

- Remove the side-discharge chute and set the clip selector knob in the “BAG” position.
- Install the grass bag into the mower as shown in Fig. G.

## FULL MULCHING (Fig. H)

- Remove the grass bag.
- Release the rear-discharge door.
- Set the clip selector knob in the “MULCH” position.

## BAGGING/MULCHING HYBRID (Fig. J)

- Attach the grass bag.
- Set the clip selector knob in one of the three bagging/mulching hybrid positions.

**NOTE:** As the clip selector knob is moved towards the “MULCH” position, more grass will be recycled back into the lawn.

As the clip selector knob is moved toward the “BAG” position, more grass will be discharged through the rear discharge into the grass bag.

## CUTTING-HEIGHT ADJUSTMENT (Fig. K)

Keep your feet away from the deck when adjusting the cutting height.

The mower can be set to 8 cutting heights between 25 mm and 105 mm. A marking indicates the selected cutting height.

Choose the proper cutting height according to the type and condition of the grass to be cut.

1. Switch off the mower and wait for the cutting blade to come to a complete stop.
2. Remove the battery pack.
3. Pull the cutting height adjustment lever out of the detent and set it to the desired position.

**NOTE:** To avoid overloading the motor, avoid setting the cutting height too low in tall grass. If the motor speed begins to slow, raise the cutting height.

## OPERATION

Always remove the battery pack from the product when you are assembling parts, making adjustments, cleaning, or when not in use. Removing the battery pack will prevent accidental starting that could cause serious personal injury.

### ATTACHING/DETACHING THE BATTERY PACK (Fig. L)

Use only with EGO's battery packs and chargers listed in Fig. A3.

Refer to corresponding battery packs and chargers manuals for more details.

### Fully charge before first use

1. Raise the battery compartment cover by lifting the front of the cover.
2. **To attach,** Align the battery ribs with the mounting slots and press the battery pack down until you hear a “click”.
3. **To detach,** depress the battery-release button and pull the battery pack out.
4. Close the battery compartment cover.

**NOTE:** Make sure that the latch on the mower snaps into place and that the battery pack is secured to the mower before starting operation.

### SELECTING BLADE SPEED MODE (Fig. M)

- **Mode 2** is high blade speed mode for high-lift performance to improve suction force or cutting performance.
- **Mode 1** is the best balance between performance and runtime.
- **Mode ECO** provides the lowest noise level and longest runtime from your battery pack.

**NOTE:** The blade speed cannot be adjusted during operation. The change will take effect only after the motor is stopped and started again.

Select among **mode 2, 1 or ECO** by sequentially pressing the blade speed mode button.

**NOTE:** The default blade speed mode is **1**.

M-1	Blade Speed Indicator	M-2	Blade Speed Mode Button
-----	-----------------------	-----	-------------------------

### STARTING/STOPPING THE MOWER

The product may be used in rain.

**⚠ WARNING:** The operation of any lawn mower can result in foreign objects being thrown into your or others' eyes, which can damage eyes severely. Always wear safety glasses while operating the mower or while performing any adjustments or repairs on the mower.

**NOTICE:** The blade will continue to rotate for a few seconds after the mower is turned off. Allow the motor/blade to stop rotating before starting it again. Do not rapidly turn the mower off and on.

**⚠ WARNING:** Stop the blade if the lawnmower has to be tilted for transportation when crossing surfaces other than grass and when transporting the lawnmower to and from the area to be mowed.

**⚠ WARNING:** Do not tilt the lawn mower when starting switching on the motor, except if the lawn mower has to be tilted for starting. In this case, do not tilt it more than absolutely necessary and lift only the part which is away from the operator.

Before using, always visually inspect to see that the blade and blade bolt are not worn or damaged. Replace worn or damaged blade and bolt in sets to preserve balance.

#### Check for blockage of the cutting blade

- To prevent blockage, keep the cutting blade and mower deck clean. Remove grass clippings, leaves, dirt and any other accumulated debris before and after each use.
- When blockage happens, stop the mower and remove the battery pack, then remove any build-up of grass and leaves on or around the drive shaft and motor fan. Wipe the mower clean with a damp cloth.

**CAUTION:** Do not attempt to override the operation of the power button and blade rotation trigger.

**NOTE:** The motor cannot be started unless the handle is locked at one of the three operating positions.

### To start the mower (Fig. N1 & N2)

1. Attach the battery pack to the mower and close the battery compartment cover.
2. Press the power button to illuminate the dashboard, and the mower status indicator – the blade speed indicator for mode **1** will light up.
3. Press the blade speed mode button to select the desired speed.
4. Press and hold the power button.
5. With the power button pressed, pull the blade rotation trigger to meet the handle and release the power button.

### To stop the mower (Fig. N3)

1. Fully release the blade rotation trigger.
2. The electric brake in the Automatic Braking Mechanism will stop the blade rotation within 3 seconds of the blade rotation trigger release.

### VARIABLE-SPEED SELF-PROPEL SYSTEM (Fig. P)

The mower is equipped with variable-speed, self-propel capability. This self-propel system is independent from the blade rotation.

#### To operate the self-propel system without blade rotation

1. Press the power button to illuminate the dashboard.
2. Slightly rotate the self-propel speed dial forward until a click can be heard, then press the self-propel trigger(s). There are two self-propel triggers, press either of them to start the self-propel function.

**To turn the self-propel off,** release the self-propel trigger.

P-1	Self-propel Speed Dial	P-2	Self-propel Trigger
-----	------------------------	-----	---------------------

### LED HEADLIGHTS (Fig. Q)

**To turn on the headlights,** press the LED headlights button. The headlights provide bright light in front of the mower.

**To turn off the headlights,** press the button again.

**MOWER STATUS INDICATORS (Fig. A2)**

The mower status indicator on the dashboard shows the working status of the mower.

Indicator	Description	Meaning	Action
	Solid green	Mower is working properly.	None required.
	Flashing green	The side rails are not fully extended.	Stop the mower and make sure that the side rails are fully extended.
		The handle is not locked in an operating position.	Stop the mower and make sure that the handle is locked in one of the three operating positions.
	Flashing red	Low battery charge.	Stop the mower and charge the battery pack.
	Solid orange	Mower is overheated.	Release the bail switch, wait until the mower temperature drops below 80 °C. See <b>"MOWER HIGH-TEMPERATURE PROTECTION"</b> below.
	Flashing orange	The mower is overloaded.	<ol style="list-style-type: none"> <li>1. Remove the battery pack, then check if grass has accumulated beneath the deck. Clean if necessary.</li> <li>2. Slow down your stride when cutting.</li> <li>3. Raise the cutting height.</li> <li>4. If above solutions do not work, please contact EGO Customer Service.</li> </ol> See <b>"MOWER OVERLOAD PROTECTION"</b> below.
	Flashing red/green alternately	The mower electronics error.	Contact EGO Customer Service.

**MOWER HIGH-TEMPERATURE PROTECTION**

If the mower temperature exceeds 90 °C during operation, the temperature protection circuit will immediately shut off the mower to prevent overheating damage.

The mower status indicator will glow solid orange. Release the blade rotation trigger and wait until the overheated mower cools down and the status indicator turns green, then restart the mower.

**MOWER OVERLOAD PROTECTION**

To prevent overload conditions, do not try to remove too much grass at one time. Slow down your stride or raise the cut height.

Your mower has built-in overload circuit protection. When the mower is overloaded, the motor will stop and the mower status indicator on the dashboard will flash orange.

## MAINTENANCE

**⚠ WARNING:** To avoid serious personal injury, always switch off the mower, remove the battery pack, and ensure that all moving parts have come to a complete standstill. before cleaning, performing any maintenance or transporting the mower.

**⚠ WARNING:** Always maintain the machine regular maintenance.

**⚠ WARNING:** Stop the machine, and remove the battery pack to make sure that all moving parts have come to a complete stop after striking a foreign object and to inspect the machine for damage and make repairs before restarting and operating the machine.

**⚠ WARNING:** Stop the machine, and remove the battery pack to make sure that all moving parts have come to a complete stop, if the machine starts to vibrate abnormally, and then to immediately inspect for damage, replace or repair any damaged parts and to check for and tighten any loose parts.

**⚠ WARNING:** When servicing, use only identical replacement parts. Use of any other parts may create a hazard or cause product damage. To ensure safety and reliability, all repairs should be performed by a qualified service technician.

### CLEANING THE MOWER

The underside of mower deck should be cleaned after each use, as grass clippings, leaves, dirt and other debris will accumulate.

Remove any buildup of grass and leaves on or around the drive shaft and motor fan. Wipe the mower clean with a damp cloth.

### REPLACING THE BLADE SET (Fig. R1, R2, R3)

**⚠ WARNING:** Always remove the battery pack and grass bag.

**⚠ WARNING:** Always wear protective gloves.

**NOTICE:** Thoroughly clean the drive shaft area and the underside of the machine before installing the blade set.

1. Turn the mower upside down.
2. Remove/install the blade set with a torque wrench and two metal rods as aid as illustrated.
3. The printed blade side towards outside.

### STORING THE MOWER (Fig. S1 & S2)

- Remove the battery pack from the mower and store it in a cool, dry and clean location. Do not store it next to corrosive materials, such as fertilizer or rock salt.
- Empty the grass bag before storage.
- Always allow the mower to cool down before storage.
- Cleaning and maintenance before storage.
- Store the mower in a covered, enclosed space, that is cool and dry and out of the reach of children.
- Do not cover the lawn mower with a solid plastic sheet. Plastic coverings trap moisture around the mower, which causes rust and corrosion.
- The mower can be stored flat or upright (Fig. S1 & S2).

**⚠ WARNING:** If the mower tips over from the upright position, mower damage or personal injury may result. Always keep the mower stable and out of the reach of children when it is in the upright position. If possible, lay it flat for storage.

### PROTECTING THE ENVIRONMENT



Do not dispose of electrical appliances as unsorted municipal waste, use separate collection facilities.

Contact your local government for information regarding the collection systems available.

If electrical appliances are disposed of in landfills or dumps, hazardous substances can leak into the groundwater and get into the food chain, damaging your health and well-being.

**TROUBLESHOOTING**

PROBLEM	CAUSE	SOLUTION
The mower or self-propel function fails to start.	<ul style="list-style-type: none"> <li>■ The battery pack charge is depleted.</li> </ul>	<ul style="list-style-type: none"> <li>■ Charge the battery pack.</li> </ul>
	<ul style="list-style-type: none"> <li>■ The battery pack is not properly inserted into the battery compartment.</li> </ul>	<ul style="list-style-type: none"> <li>■ Insert the battery pack into battery compartment until you hear a “click”.</li> </ul>
	<ul style="list-style-type: none"> <li>■ The handle is not locked in an operating position and the mower status indicator flashes green.</li> </ul>	<ul style="list-style-type: none"> <li>■ Stop the mower and make sure that the handle is locked in one of the operating positions.</li> </ul>
	<ul style="list-style-type: none"> <li>■ The mower deck is clogged with grass and debris.</li> </ul>	<ul style="list-style-type: none"> <li>■ Clean the mower deck and ensure that the blade set has freedom of movement.</li> </ul>
The mower cuts unevenly.	<ul style="list-style-type: none"> <li>■ The blade set is dull.</li> </ul>	<ul style="list-style-type: none"> <li>■ Sharpen or replace the blade set.</li> </ul>
	<ul style="list-style-type: none"> <li>■ The grass-cutting height is not set properly.</li> </ul>	<ul style="list-style-type: none"> <li>■ Move the deck height to a higher setting.</li> </ul>
	<ul style="list-style-type: none"> <li>■ The blade set is installed incorrectly.</li> </ul>	<ul style="list-style-type: none"> <li>■ Re-install the blade set, following the section “<b>REPLACING THE BLADE SET</b>” in this manual.</li> </ul>
	<ul style="list-style-type: none"> <li>■ The blade speed mode is not set properly.</li> </ul>	<ul style="list-style-type: none"> <li>■ Select a proper blade speed mode.</li> </ul>
The mower does not mulch properly.	<ul style="list-style-type: none"> <li>■ Wet grass clippings are sticking to the underside of the deck.</li> </ul>	<ul style="list-style-type: none"> <li>■ Wait until the grass dries before mowing.</li> </ul>
	<ul style="list-style-type: none"> <li>■ The mower is set to cut too much grass at once.</li> </ul>	<ul style="list-style-type: none"> <li>■ Raise the deck to a higher cutting-height setting.</li> </ul>
	<ul style="list-style-type: none"> <li>■ The blade speed mode is not set properly.</li> </ul>	<ul style="list-style-type: none"> <li>■ Select the blade speed to a lower setting.</li> </ul>



PROBLEM	CAUSE	SOLUTION
The mower unexpectedly stops while mowing.	<ul style="list-style-type: none"> <li>■ The battery pack charge is depleted.</li> </ul>	<ul style="list-style-type: none"> <li>■ Charge the battery pack.</li> </ul>
	<ul style="list-style-type: none"> <li>■ Mower is overloaded and the mower status indicator flashes orange.</li> </ul>	<ul style="list-style-type: none"> <li>■ Check if grass has accumulated beneath the deck and clean if needed. Raise the cutting height or slow down the mowing.</li> </ul>
	<ul style="list-style-type: none"> <li>■ Mower deck is clogged with grass and debris.</li> </ul>	<ul style="list-style-type: none"> <li>■ Unclog the mower deck. Raise the cutting height and/or cut a narrower swath.</li> </ul>
	<ul style="list-style-type: none"> <li>■ The battery pack or mower circuitry is too hot. If the battery pack is overheated the mower status indicator goes off. If the mower is overheated the mower status indicator glow solid orange.</li> </ul>	<ul style="list-style-type: none"> <li>■ Allow the battery pack or mower to cool down.</li> </ul>
	<ul style="list-style-type: none"> <li>■ The blade speed mode is not set properly.</li> </ul>	<ul style="list-style-type: none"> <li>■ Select the blade speed to a lower setting.</li> </ul>
	<ul style="list-style-type: none"> <li>■ The mower electronics error and the mower status indicator flashes red/green alternately.</li> </ul>	<ul style="list-style-type: none"> <li>■ Contact EGO Service Center.</li> </ul>
There is excessive vibration.	<ul style="list-style-type: none"> <li>■ The cutting blade set is loose.</li> </ul>	<ul style="list-style-type: none"> <li>■ Tighten the blade bolt.</li> </ul>
	<ul style="list-style-type: none"> <li>■ The cutting blade set is unbalanced.</li> </ul>	<ul style="list-style-type: none"> <li>■ Contact EGO Service Center.</li> </ul>
	<ul style="list-style-type: none"> <li>■ The cutting blade is bent.</li> </ul>	<ul style="list-style-type: none"> <li>■ Replace the blade.</li> </ul>
	<ul style="list-style-type: none"> <li>■ The motor shaft is bent.</li> </ul>	<ul style="list-style-type: none"> <li>■ Contact EGO Service Center.</li> </ul>
	<ul style="list-style-type: none"> <li>■ The mower is set to cut too much grass at once.</li> </ul>	<ul style="list-style-type: none"> <li>■ Raise the deck to a higher cutting-height setting.</li> </ul>
	<ul style="list-style-type: none"> <li>■ The blade speed mode is not set properly.</li> </ul>	<ul style="list-style-type: none"> <li>■ Set the blade speed to a lower setting.</li> </ul>
The motor works but the blade set doesn't cut the grass.	<ul style="list-style-type: none"> <li>■ The blade set is not tightened to the required torque.</li> </ul>	<ul style="list-style-type: none"> <li>■ Re-tighten the blade set. The recommended torque for the blade bolt is 50-60 Nm.</li> </ul>
Difficulty moving the clip selector knob from side to side.	<ul style="list-style-type: none"> <li>■ Excessive grass clippings have accumulated on top of the sliding.</li> </ul>	<ul style="list-style-type: none"> <li>■ Clear grass from the mower deck after each use door.</li> </ul>

## WARRANTY

### EGO WARRANTY POLICY

Please visit the website [egopowerplus.eu](http://egopowerplus.eu) for full terms and conditions of the EGO Warranty policy.

DE

## LESEN SIE ALLE ANWEISUNGEN!

**Bestimmungsgemäße Verwendung:** Das Produkt ist für das manuelle Rasenmähen bestimmt:

- Nur zum Mähen von trockenem Gras verwenden. Mähen Sie kein nasses Gras.
- Verwenden Sie es zu keinem anderen Zweck.

**! WARNUNG:** Vor der Benutzung der Maschine sollten Sie alle Sicherheitshinweise in dieser Betriebsanleitung gelesen und verstanden haben. Das gilt auch für die Hinweise „**GEFAHR**“, „**WARNUNG**“ und „**VORSICHT**“. Die Nichtbeachtung der aufgeführten Hinweise kann zu Stromschlägen, Bränden und/oder schweren Verletzungen führen.

## WARNSYMBOLLE



Sicherheitshinweis



Tragen Sie immer einen Gehörschutz, eine Schutzbrille, möglichst mit Seitenschutz, und einen Vollgesichtsschutz, wenn Sie mit diesem Gerät arbeiten.



Vorsicht vor weggeschleuderten Gegenständen – Umstehende fernhalten.



Hände fernhalten



Garantierter Schallleistungspegel.



Dieses Produkt erfüllt die einschlägigen Vorschriften in GB.

IPX4 Schutz vor Spritzwasser

mm Millimeter

≡ Gleichstrom



Um das Verletzungsrisiko zu verringern, muss der Benutzer die Bedienungsanleitung vor der Benutzung des Gerätes gelesen und verstanden haben.



Schalten Sie das Gerät aus und nehmen Sie den abnehmbaren Akku (oder die Sperrvorrichtung) ab, bevor Sie Einstellungen vornehmen oder das Gerät reinigen.



Hände und Füße von den Messern fernhalten



Nicht in die Betriebsleuchte blicken.



Dieses Produkt erfüllt die einschlägigen CE-Richtlinien.



Elektrische Altgeräte dürfen nicht im Hausmüll entsorgt werden. Bringen Sie das Gerät zu einem Wertstoffhof bzw. zu einer amtlichen Sammelstelle.

V Volt

cm Zentimeter

kg Kilogramm

## TECHNISCHE DATEN

Spannung	56 V	
Messergeschwindigkeitsmodus	2	
	1	
	ECO	
Schnitthöhenpositionen	8	
Schnitthöheneinstellung	25 mm/33 mm/43 mm/ 54 mm/66 mm/79 mm/ 92 mm/105 mm	
Schnittbreite	55 cm	
Volumen des Grasfangsacks	85 l	
Rasenmähergewicht (mit Grasfangsack und Akku BA6720T)	37 kg	
Messersatz-Modell	AB2212D-E	
Empfohlene Betriebstemperatur	-0 °C - 40 °C	
Empfohlene Lagertemperatur	-20 °C - 70 °C	
Gemessener Schalleistungspegel $L_{WA}$	95 dB(A) K=0,7 dB(A)	
Schalldruckpegel am Ohr des Bedieners $L_{PA}$	83 dB(A) K=3 dB(A)	
Garantierter Schallleistungspegel $L_{WA}$ (gemessen nach 2000/14/EG)	96 dB(A)	
Vibrationswert $a_{h,v}$ :	Linker Griffbügel	1,35 m/s <sup>2</sup> K=1,5 m/s <sup>2</sup>
	Rechter Griffbügel	1,35 m/s <sup>2</sup> K=1,5 m/s <sup>2</sup>

- Der angegebene Vibrationsgesamtwert wurde nach einem Standard-Prüfverfahren gemessen und kann zum Vergleich mit einer anderen Maschine herangezogen werden.
- Der angegebene Vibrationsgesamtwert kann auch zur vorläufigen Risikobewertung herangezogen werden.

**⚠️ WARNUNG:** Die beim Einsatz der Maschine auftretenden Vibrationen können von dem angegebenen Wert abweichen. Zum Schutz des Bedieners sollten beim eigentlichen Einsatz der Maschine Handschuhe und ein Gehörschutz getragen werden.

**⚠️ WARNUNG:** Treffen Sie Sicherheitsmaßnahmen zum Schutz des Bedieners, die auf einer Einschätzung der Gefährdung unter den tatsächlichen Nutzungsbedingungen beruhen. (Zu berücksichtigen sind dabei alle Bestandteile eines Betriebszyklus, wie etwa die Zeiten, zu denen das Gerät ausgeschaltet ist, zu denen es im Leerlauf einschaltet ist sowie Einschaltzeiten).

## PACKLISTE (ABB. A1 & A2)

BEZEICHNUNG DER TEILE	MENGE
Rasenmäher	1
Grasfangsack	1
Grasfangsack-Rahmen	1
Bedienungsanleitung	1

## BESCHREIBUNG

### AUFBAU (Abb. A1 & A2)

- Griff
- Seitenholm
- Holm-Feststellklemme
- Hintere Auswurfklappe
- Hebegriff
- Deckel des Akkufachs
- LED-Scheinwerfer
- Schnitt-Auswahlknopf
- Vorderrad
- Schnitthöhen-Einstellknopf
- Mähdeck
- Lufteinlass
- Hinterrad
- Schnell-Einstellhebel
- Grasfangsack
- Hintere Schutzverkleidung
- Auslöser für die Messerrotation
- Ein-/Ausschalter für den Eigenantrieb
- Geschwindigkeitsregler für den Eigenantrieb
- Messergeschwindigkeits-Wählschalter
- Hauptschalter

22. LED-Scheinwerfer-Taste
23. LED-Scheinwerfer-Symbol
24. LED-Scheinwerferanzeige
25. Mähstatusanzeige
26. Messer-Symbol
27. Messergeschwindigkeitsmodus-Anzeige
28. Rasenmäherstatus-Symbol

## MONTAGE

**⚠️ WARNUNG:** Gerät nicht in Betrieb setzen, wenn Teile schadhaft sind oder fehlen. Fehlende oder beschädigte Teile zuerst ersetzen. Die Verwendung dieses Produkts mit beschädigten oder fehlenden Teilen kann zu schweren Verletzungen führen.

**⚠️ WARNUNG:** Um einen unbeabsichtigten Anlauf und dadurch hervorgerufene schwere Verletzungen zu verhindern, muss der Akku beim Montieren von Teilen immer zuerst von der Maschine abgenommen werden.

**⚠️ WARNUNG:** Versuchen Sie nicht, diese Maschine zu verändern oder Zubehörteile zu verwenden, die für den Einsatz mit diesem Rasenmäher nicht empfohlen werden. Jegliche solcher Änderungen oder Umbauten stellen einen unsachgemäßen Gebrauch dar und können zu gefährlichen Umständen führen, die schwere Verletzungen verursachen können.

### AUSPACKEN

- Nehmen Sie das gesamte Zubehör aus dem Karton.
- Fassen Sie den Rasenmäher gleichzeitig an der Vorderseite und am Hebebegriff an, um ihn vorsichtig aus dem Karton zu heben.

### EINSTELLEN DES KLAPPBAREN HOLMS

**⚠️ WARNUNG:** Versuchen Sie nicht, den Rasenmäher zu starten, wenn der Holm noch nicht in einer der drei voreingestellten Betriebsposition arretiert ist. OBERE BETRIEBSPOSITION, MITTLERE BETRIEBSPOSITION und UNTERE BETRIEBSPOSITION.

1. Halten Sie den Schnell-Einstellhebel gedrückt, um den Holm aus der arretierten Ruheposition zu lösen (Abb. B1).

B1-1	Schnell-Einstellhebel
------	-----------------------

2. Ziehen Sie den Holm langsam aus seiner zusammengeklappten Position nach oben und lassen Sie dann den Hebel los. Drehen Sie den Holm vorsichtig nach oben, bis Sie hören und spüren, wie der Arretierstift in einer der folgenden Positionen einrastet (siehe Abb. B2).

B2-1	Arretierte Lagerposition	B2-2	Grasfangsack-Befestigungs-/Entnahmeposition
B2-3	Obere Betriebsposition	B2-4	Mittlere Betriebsposition
B2-5	Untere Betriebsposition		

3. Ziehen Sie die Seitenholme vollständig aus und schließen Sie die Holm-Feststellklappen (Abb. B3).

**HINWEIS:** Der Motor kann erst gestartet werden, wenn:

- Die Seitenholme vollständig ausgezogen sind.
- Die grüne Holm-Feststellklammer sicher geschlossen ist.
- Der Holm in einer der drei Betriebspositionen arretiert ist.

### MONTIEREN DES GRASFANGSACKS (Abb. C1, C2, C3)

Prüfen Sie den Grasfangsack vor dem Befestigen, um sicherzugehen, dass er nicht beschädigt ist. Befestigen Sie den Grasfangkorb wie abgebildet.

### SCHNITT-AUSWAHLKNOPF (Abb. D)

Stellen Sie den Schnitt-Auswahlknopf in eine der fünf Positionen, um das gewünschte Mähergebnis zu erzielen.

Mit dem Drehknopf kann eine Schiebeklappe von der vollständig geöffneten Position „BAG“ bis zur vollständig geschlossenen Position „MULCH“ eingestellt werden.

Durch Einstellen des Schnitt-Auswahlknopfes können verschiedene Mähbedingungen erfüllt werden.

**Um den Knopf wieder in die richtige Position zu bringen,** ziehen Sie den Knopf aus der Raste und stellen Sie ihn in die gewünschte Position.

**HINWEIS:** Wenn Sie beim Bewegen des Schnitt-Auswahlknopfes von einer Seite zur anderen einen hohen Widerstand spüren, hat sich möglicherweise zu viel Gras auf der Oberseite der Schiebeklappe angesammelt. Entfernen Sie das Gras unter dem Mähdeck nach jedem Einsatz.

D-1	Schiebeklappe	D-2	Position „MULCH“
D-3	Schnitt-Auswahlknopf	D-4	Position „BAG“

## SCHIEBEKLAPPEN-POSITION

Die Schiebeklappe kann so positioniert werden, dass unterschiedliche Mähergebnisse erzielt werden. Um den Unterschied zwischen den Positionen zu lernen, befestigen Sie einen Grasfangsack und beginnen Sie mit dem Mähen, indem Sie den Schnitt-Auswahlknopf ganz auf die Position „BAG“ stellen. Prüfen Sie, wie der Rasen aussieht. Je weiter der Knopf in Richtung „MULCH“ bewegt wird, desto mehr Gras wird auf den Rasen zurückgeworfen. Stellen Sie den Schnitt-Auswahlknopf ein, bis das gewünschte Ergebnis erreicht ist. Der Hybridmodus Auffangen/Mulchen sorgt für einen sauberen und feinen Schnitt.

- **Schnitt-Auswahlknopf in Position „BAG“**, die Schiebeklappe ist dann vollständig geöffnet, so dass das gesamte Schnittgut in den Sack gelangt (Abb. E1).
- **Schnitt-Auswahlknopf in den Hybrid-Positionen Auffangen/Mulchen**, die Schiebeklappe ist teilweise geschlossen. Ein Teil des Schnittguts wird in den Sack geleitet, ein anderer Teil wird fein gemulcht und auf dem Boden verteilt (Abb. E2).
- **Schnitt-Auswahlknopf in der Position „MULCH“**, die Schiebeklappe ist vollständig geschlossen. Das gesamte Schnittgut wird fein gemulcht und auf dem Boden verteilt (Abb. E3).

## SEITENAUSWURF

### Zum Anbringen/Abnehmen des Seitenauswurfs (separat erhältlich)

**HINWEIS:** Vergewissern Sie sich, dass die Unterseite des Decks sauber ist, bevor Sie den Seitenauswurf benutzen.

- Entfernen Sie den Grasfangsack und stellen Sie den Schnitt-Auswahlknopf in die Position „BAG“.
- Setzen Sie den Seitenauswurf wie in Abb. F gezeigt in den Rasenmäher ein.

## NUR AUFFANGEN

### Anbringen/Abnehmen des Grasfangsacks

**⚠️ WARNUNG:** Bei normalem Gebrauch nutzt sich das Material des Sacks ab. Um die Verletzungsgefahr zu reduzieren, untersuchen Sie den Grasfangsack regelmäßig und ersetzen Sie den Sack, wenn Sie Anzeichen von Verschleiß entdecken. Verwenden Sie nur für diesen Rasenmäher hergestellte Grasfangsäcke.

**HINWEIS:** Vergewissern Sie sich, dass die Unterseite des Mähedecks sauber ist, bevor Sie den Grasfangsack verwenden.

- Entfernen Sie den Seitenauswurf und stellen Sie den Schnitt-Auswahlknopf in die Position „BAG“.
- Befestigen Sie den Grasfangsack wie in Abb. G gezeigt am Rasenmäher.

## NUR MULCHEN (Abb. H)

- Entfernen Sie den Grasfangsack.
- Lösen Sie die hintere Auswurfklappe wieder.
- Stellen Sie den Schnitt-Auswahlknopf in die Position „MULCH“.

## HYBRID „AUFFANGEN/MULCHEN“ (Abb. J)

- Befestigen Sie den Grasfangsack.
- Stellen Sie den Schnitt-Auswahlknopf in eine der drei Hybrid-Positionen Auffangen/Mulchen.

**HINWEIS:** Je weiter der Schnitt-Auswahlknopf in Richtung „MULCH“ bewegt wird, desto mehr Gras wird auf den Rasen zurückgeworfen.

Wenn der Schnitt-Auswahlknopf in Richtung „BAG“ bewegt wird, wird mehr Gras durch den Heckauswurf in den Grasfangsack befördert.

## EINSTELLEN DER SCHNITTHÖHE (Abb. K)

Halten Sie Ihre Füße vom Mähedeck fern, wenn Sie die Schnitthöhe einstellen.

Der Rasenmäher kann auf 8 Schnitthöhen zwischen 25 und 105 mm eingestellt werden. Eine Markierung zeigt die gewählte Schnitthöhe an.

Wählen Sie die Schnitthöhe, die der Art und dem Zustand des zu mähenden Rasens entspricht.

1. Schalten Sie den Rasenmäher aus und warten Sie, bis das Messer zum Stillstand gekommen ist.
2. Entfernen Sie den Akku.
3. Ziehen Sie den Hebel zum Einstellen der Schnitthöhe aus der Arretierung und stellen Sie ihn in die gewünschte Position.

**HINWEIS:** Um eine Überlastung des Motors zu vermeiden, sollten Sie die Schnitthöhe bei hohem Gras nicht zu niedrig einstellen. Wenn die Motordrehzahl zu sinken beginnt, erhöhen Sie die Schnitthöhe.

## BETRIEB

Entfernen Sie immer den Akkusatz aus dem Produkt, wenn Sie Teile montieren, Anpassungen vornehmen, etwas säubern oder wenn das Gerät nicht benutzt wird. Das Entfernen des Akkusatzes beugt dem unabsichtlichen Starten vor, das zu schweren Verletzungen führen kann.

## ANBRINGEN/ABNEHMEN DES AKKUS (Abb. L)

Verwenden Sie nur die in Abb. A3 aufgeführten EGO Akkus und Ladegeräte.

Weitere Einzelheiten finden Sie in den entsprechenden Anleitungen der Akkus und Ladegeräte.

### Laden Sie den Akku vor dem ersten Gebrauch voll auf

1. Heben Sie die Abdeckung des Akkufachs an der Vorderseite der Abdeckung an.
2. **Zum Befestigen** lassen Sie die Rippen am Akkugehäuse mit den Öffnungen am Gerät fluchten und schieben Sie den Akku bis zum hörbaren Einrasten in das Gerät.
3. **Zum Herausnehmen** drücken Sie die Akkuentriegelung und ziehen Sie den Akku heraus.
4. Schließen Sie die Abdeckung des Akkufachs.

**HINWEIS:** Stellen Sie sicher, dass der Riegel am Rasenmäher einrastet und der Akku fest am Rasenmäher angeschlossen ist, bevor Sie das Gerät in Betrieb setzen.

## AUSWAHL DES MESSERGESCHWINDIGKEITSMODUS (Abb. M)

- **Modus 2** ist der Modus mit hoher Messergeschwindigkeit für eine höhere Hubleistung zur Verbesserung der Saugkraft oder der Schneidleistung.
- **Modus 1** ist das beste Verhältnis zwischen Leistung und Laufzeit.
- **Im ECO-Modus** ist der Geräuschpegel am niedrigsten und die Akkulaufzeit am längsten.

**ANMERKUNG:** Die Messergeschwindigkeit kann während des Betriebs nicht angepasst werden. Die Einstellung wird erst wirksam, wenn der Motor angehalten und wieder gestartet wird.

Wählen Sie zwischen den **Modi 2, 1** oder **ECO**, indem Sie mehrmals den Messergeschwindigkeits-Wählschalter drücken.

**ANMERKUNG:** Der Standardmodus der Messergeschwindigkeit ist Modus 1.

M-1	Messergeschwindigkeitsanzeige	M-2	Messergeschwindigkeits-Wählschalter
-----	-------------------------------	-----	-------------------------------------

## STARTEN/ANHALTEN DES RASENMÄHERS

Das Gerät darf bei Regen benutzt werden.

**⚠️ WARNUNG:** Beim Betrieb des Rasenmähers besteht die Gefahr, dass Fremdkörper in die eigenen Augen oder in die Augen Dritter geschleudert werden. Die Augen können dadurch ernsthaft verletzt werden. Tragen Sie immer eine Schutzbrille, wenn Sie den Rasenmäher bedienen, einstellen oder reparieren.

**HINWEIS:** Das Messer dreht sich nach dem Ausschalten des Rasenmähers noch einige Sekunden weiter. Warten Sie, bis der Motor/das Messer stillsteht, bevor Sie den Rasenmäher erneut starten. Schalten Sie den Rasenmäher nicht schnell hintereinander aus und ein.

**⚠️ WARNUNG:** Wenn der Rasenmäher beim Überqueren von anderen Flächen als Rasen schräg gestellt werden muss oder wenn der Rasenmäher vom und zum Mähbereich transportiert werden muss, stellen Sie den Mähantrieb ab.

**⚠️ WARNUNG:** Stellen Sie den Rasenmäher nicht schräg, wenn Sie den Motor einschalten; es sei denn, das Gerät muss zum Starten angeschrägt werden. In diesem Fall kippen Sie es nur so weit, wie es unbedingt erforderlich ist, und heben Sie nur die vom Benutzer abgewandte Seite hoch.

Führen Sie vor der Benutzung immer eine Sichtprüfung durch, um sicherzustellen, dass die Messer und Messerschraube nicht abgenutzt oder beschädigt sind. Tauschen Sie ein Messer oder eine Schraube, die abgenutzt oder beschädigt ist, immer komplett im Satz aus, um die Auswuchtung beizubehalten.

### Prüfen Sie, ob das Messer blockiert ist

- Um Blockaden zu vermeiden, halten Sie das Mähmesser und das Mähdeck sauber. Entfernen Sie vor und nach jeder Benutzung Grasschnitt, Blätter, Schmutz und andere angesammelte Abfälle.
- Wenn eine Blockade auftritt, halten Sie den Rasenmäher an und entfernen Sie den Akku. Entfernen Sie dann alle Gras- und Laubansammlungen auf oder um die Antriebswelle und den Motorlüfter. Wischen Sie den Rasenmäher mit einem feuchten Tuch ab.

**VORSICHT:** Versuchen Sie nicht, die Funktion der Ein-/Aus-Taste und des Auslöser für die Messerrotation zu umgehen.

**ANMERKUNG:** Der Motor kann nur gestartet werden, wenn der Griffbügel in einer der drei Betriebspositionen verriegelt ist.

## Zum Starten des Rasenmähers (Abb. N1 & N2)

1. Befestigen Sie den Akku am Rasenmäher und schließen Sie den Deckel des Akkufachs.

2. Drücken Sie die Ein-/Aus-Taste, um das Bedienfeld zu aktivieren. Die Mähstatusanzeige - die Messergeschwindigkeitsanzeige für Modus 1 leuchten daraufhin auf.
3. Drücken Sie den Messergeschwindigkeits-Wählschalter, um die gewünschte Geschwindigkeit auszuwählen.
4. Halten Sie die Ein-/Aus-Taste gedrückt.
5. Ziehen Sie bei gedrückter Ein-/Aus-Taste den Auslöser für die Messerrotation an den Griffbügel und lassen Sie die Ein-/Aus-Taste los.

**Zum Anhalten des Rasenmähers (Abb. N3)**

1. Lassen Sie den Auslöser für die Messerrotation los.
2. Die elektrische Bremse des automatischen Bremsmechanismus stoppt die Drehbewegung des Messers innerhalb von drei Sekunden, nachdem der Auslöser für die Messerrotation losgelassen wurde.

**EIGENANTRIEB MIT VARIABLER GESCHWINDIGKEIT (Abb. P)**

Der Rasenmäher ist mit Eigenantrieb und variabler Geschwindigkeit ausgestattet. Dieses Eigenantriebssystem ist unabhängig von der Messerrotation.

**Um das Eigenantriebssystem ohne Messerrotation zu betreiben**

1. Drücken Sie die Ein-/Aus-Taste, um das Bedienfeld zu aktivieren.
2. Drehen Sie den Geschwindigkeitsregler für den Eigenantrieb leicht nach vorne, bis ein Klicken zu hören ist, und drücken Sie dann den/die Ein-/Ausschalter für Eigenantrieb. Es gibt zwei Ein-/Ausschalter für Eigenantrieb; drücken Sie einen davon, um die Eigenantriebsfunktion zu starten.

**Zum Abstellen des Eigenantriebs** lassen Sie den Ein-/Ausschalter für den Eigenantrieb wieder los.

P-1	Geschwindigkeitsregler für den Eigenantrieb	P-2	Ein-/Ausschalter für den Eigenantrieb
-----	---	-----	---------------------------------------

**SCHEINWERFER (Abb. Q)**

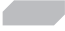


**Die Scheinwerfer einzuschalten**, drücken Sie die LED-Scheinwerfer-Taste. Der Bereich vor dem Rasenmäher wird von dem Scheinwerfer hell ausgeleuchtet.

**Zum Ausschalten** drücken Sie die Taste erneut.

**MÄHSTATUSANZEIGEN (Abb. A2)**

Die Mähstatusanzeige auf dem Bedienfeld zeigt den Betriebsstatus des Rasenmähers an.

Anzeige	Beschreibung	Bedeutung	Abhilfe
	Grünes Dauerlicht	Der Rasenmäher funktioniert einwandfrei.	Keine erforderlich.
	Grün blinkend	Die Seitenholme sind nicht vollständig ausgezogen.	Den Rasenmäher ausschalten und prüfen, ob die Seitenholme vollständig ausgezogen sind.
		Der Holm ist nicht in einer der Betriebspositionen arretiert.	Den Rasenmäher ausschalten und prüfen, ob der Griffbügel in einer der drei Betriebsposition verriegelt ist.
	Rot blinkend	Niedriger Akkuladestand.	Rasenmäher abstellen und Akku aufladen.

Anzeige	Beschreibung	Bedeutung	Abhilfe
	Oranges Dauerlicht	Der Rasenmäher ist überhitzt.	Lassen Sie den Bügelschalter los und warten Sie, bis die Temperatur des Rasenmähers unter 80 °C gesunken ist. Siehe „ <b>RASENMÄHER-ÜBERHITZUNGSSCHUTZ</b> “ weiter unten.
	Orange blinkend	Der Rasenmäher ist überlastet.	<ol style="list-style-type: none"> <li>1. Akku entnehmen. Dann prüfen, ob sich Gras unter dem Mähdeck angesammelt hat. Falls erforderlich, das Mähdeck reinigen.</li> <li>2. Langsamer mähen.</li> <li>3. Schnitthöhe vergrößern.</li> <li>4. Wenn die oben genannten Lösungen nicht funktionieren, wenden Sie sich bitte an den EGO-Kundendienst.</li> </ol> Siehe „ <b>RASENMÄHER-ÜBERLASTUNGSSCHUTZ</b> “ weiter unten.
	Abwechselnd rot/grün blinkend	Fehler in der Rasenmäher-Elektronik.	Wenden Sie sich an den EGO-Kundendienst.

### RASENMÄHER-ÜBERHITZUNGSSCHUTZ

Ist die Rasenmäher Temperatur während des Betriebs höher als 90 °C, schaltet der elektronische Überhitzungsschutz den Rasenmäher sofort ab, um Schäden durch überhöhte Temperaturen zu verhindern.

Die Mähstatusanzeige leuchtet dann dauerhaft orange. Lassen Sie den Auslöser für die Messerrotation los und warten Sie, bis der überhitzte Rasenmäher sich abgekühlt hat und die Statusanzeige grün leuchtet, starten Sie dann den Rasenmäher neu.

### RASENMÄHER-ÜBERLASTSCHUTZ

Um Überlastungen zu vermeiden, nicht zu viel Rasen auf einmal mähen. Mähen Sie langsamer oder vergrößern Sie die Schnitthöhe.

Ihr Rasenmäher besitzt einen integrierten Überlastschutz. Wenn der Rasenmäher überlastet ist, stellt sich der Motor ab und die Mähstatusanzeige auf dem Bedienfeld blinkt orange.

### WARTUNG

**⚠️ WARNUNG:** Um schwere Verletzungen zu vermeiden, schalten Sie den Rasenmäher immer aus, nehmen Sie den Akku heraus und stellen Sie sicher, dass alle beweglichen Teile zum Stillstand gekommen sind, bevor Sie den Rasenmäher reinigen, warten oder transportieren.

**⚠️ WARNUNG:** Warten Sie die Maschine immer regelmäßig.

**⚠️ WARNUNG:** Um sicherzustellen, dass alle beweglichen Teile nach dem Anschlagen an einen Fremdkörper vollständig zum Stillstand gekommen sind und um die Maschine auf Schäden zu überprüfen und sie zu reparieren, bevor Sie sie erneut einschalten und in Betrieb setzen, schalten Sie die Maschine aus und nehmen Sie den Akku heraus.

**⚠️ WARNUNG:** Um sicherzustellen, dass alle beweglichen Teile vollständig zum Stillstand gekommen sind, falls die Maschine anfängt, ungewöhnlich zu vibrieren, und um sie sofort auf Schäden zu untersuchen, die beschädigten Teile auszutauschen oder zu reparieren und gelöste Teile zu prüfen und nachzuziehen, schalten Sie die Maschine aus und entfernen Sie den Akku.



**⚠️ WARNUNG:** Verwenden Sie für die Wartung nur baugleiche Ersatzteile. Die Verwendung anderer Teile kann Unfälle und Schäden am Gerät hervorrufen. Um die Sicherheit und Zuverlässigkeit zu gewährleisten, sollten alle Reparaturen nur von qualifizierten Servicetechnikern durchgeführt werden.

### REINIGEN DES RASENMÄHERS

Die Unterseite des Mähdecks sollte nach jedem Gebrauch gereinigt werden, da dort Schnittgut, Blätter, Schmutz und andere Ablagerungen anhaften.

Beseitigen Sie größere Mengen Grasschnitt und Blätter an oder um die Antriebswelle herum sowie am Motorlüfter. Wischen Sie den Rasenmäher mit einem feuchten Tuch ab.

### AUSWECHSELN DES MESSERSATZES

(Abb. R1, R2, R3)

**⚠️ WARNUNG:** Entfernen Sie vor dem Reinigen immer den Akku und den Grasfangsack.

**⚠️ WARNUNG:** Tragen Sie immer Schutzhandschuhe.

**HINWEIS:** Reinigen Sie den Bereich der Antriebswelle und die Unterseite der Maschine gründlich, bevor Sie den Messersatz anbringen.

1. Drehen Sie den Rasenmäher um.
2. Entfernen/montieren Sie den Messersatz wie abgebildet mit einem Drehmomentschlüssel und zwei Metallstäben als Hilfsmittel.
3. Die bedruckte Messerseite nach außen.

### LAGERN DES RASENMÄHERS (Abb. S1 & S2)

- Nehmen Sie den Akku aus dem Rasenmäher und bewahren Sie ihn an einem kühlen, trockenen und sauberen Ort auf. Bewahren Sie ihn nicht neben korrosivem Material, wie zum Beispiel Düngemittel oder Steinsalz, auf.
- Entleeren Sie den Grasfangsack vor der Lagerung.
- Lassen Sie den Rasenmäher vor der Lagerung immer abkühlen.
- Reinigen und warten Sie den Rasenmäher vor der Lagerung.
- Stellen Sie den Rasenmäher an einem geschützten, geschlossenen Ort ab, der kühl, trocken und für Kinder unerschwinglich ist.

- Decken Sie den Rasenmäher nicht mit einer festen Kunststoffolie ab. Durch eine Kunststoffabdeckung kann die Feuchtigkeit um den Rasenmäher herum nicht entweichen, was zu Rostbildung und Korrosion führt.
- Der Rasenmäher kann liegend oder stehend gelagert werden (Abb. S1 & S2).

**⚠️ WARNUNG:** Wenn der Rasenmäher aus der aufrechten Position umfällt, kann es zu Beschädigungen am Rasenmäher oder Verletzungen kommen. Achten Sie stets darauf, dass der Rasenmäher nicht umfallen kann und außer Reichweite von Kindern ist, wenn er aufrecht gelagert wird. Sofern möglich, lagern Sie ihn flach aufliegend.

### SCHUTZ DER UMWELT



Entsorgen Sie elektrische Geräte nicht als unsortierten Restmüll, nutzen Sie separate Sammelstellen.

Informationen über die vor Ort angebotenen Sammelstellen erteilt die zuständige Gemeindestelle.

Wenn elektrische Geräte auf Deponien oder Schutthalde entsorgt werden, können gefährliche Stoffe in das Grundwasser sickern und in die Nahrungskette gelangen. Dadurch werden Ihre Gesundheit und Ihr Wohlbefinden beeinträchtigt.

PROBLEM	URSACHE	LÖSUNG
Der Rasenmäher oder der Eigenantrieb startet nicht.	<ul style="list-style-type: none"> <li>Der Akku ist entladen.</li> </ul>	<ul style="list-style-type: none"> <li>Laden Sie den Akku auf.</li> </ul>
	<ul style="list-style-type: none"> <li>Der Akku ist nicht richtig ins Akkufach eingesetzt worden.</li> </ul>	<ul style="list-style-type: none"> <li>Den Akku in das Akkufach schieben, bis er hörbar einrastet.</li> </ul>
	<ul style="list-style-type: none"> <li>Der Griffbügel ist nicht in einer Betriebsposition verriegelt und die Mähstatusanzeige blinkt grün.</li> </ul>	<ul style="list-style-type: none"> <li>Den Rasenmäher ausschalten und prüfen, ob der Griffbügel in einer der Betriebsposition verriegelt ist.</li> </ul>
	<ul style="list-style-type: none"> <li>Das Mähdeck ist mit Grasschnitt und Ablagerungen verstopft.</li> </ul>	<ul style="list-style-type: none"> <li>Das Mähdeck reinigen und sicherstellen, dass sich den Messersatz frei bewegen kann.</li> </ul>
Der Rasenmäher mäht ungleichmäßig.	<ul style="list-style-type: none"> <li>Der Messersatz ist stumpf.</li> </ul>	<ul style="list-style-type: none"> <li>Messersatz schärfen oder ersetzen.</li> </ul>
	<ul style="list-style-type: none"> <li>Die Schnitthöhe ist nicht korrekt eingestellt.</li> </ul>	<ul style="list-style-type: none"> <li>Mähdeckhöhe auf eine höhere Position einstellen.</li> </ul>
	<ul style="list-style-type: none"> <li>Der Messersatz ist falsch angebracht.</li> </ul>	<ul style="list-style-type: none"> <li>Den Messersatz wieder einsetzen und dabei den Anweisungen im Abschnitt „<b>AUSWECHSELN DES MESSERSATZES</b>“ in dieser Anleitung folgen.</li> </ul>
	<ul style="list-style-type: none"> <li>Der Messergeschwindigkeitsmodus ist nicht richtig eingestellt.</li> </ul>	<ul style="list-style-type: none"> <li>Einen geeigneten Modus für die Messergeschwindigkeit wählen.</li> </ul>
Der Rasenmäher mulcht nicht richtig.	<ul style="list-style-type: none"> <li>An der Unterseite des Mähdecks haftet feuchtes Schnittgut.</li> </ul>	<ul style="list-style-type: none"> <li>Mit dem Mähen warten, bis der Rasen trocken ist.</li> </ul>
	<ul style="list-style-type: none"> <li>Der Rasenmäher ist so eingestellt, dass er eine zu große Menge Gras auf einmal mäht.</li> </ul>	<ul style="list-style-type: none"> <li>Das Mähdeck auf eine größere Schnitthöhe einstellen.</li> </ul>
	<ul style="list-style-type: none"> <li>Der Messergeschwindigkeitsmodus ist nicht richtig eingestellt.</li> </ul>	<ul style="list-style-type: none"> <li>Messergeschwindigkeit auf eine niedrigere Stufe einstellen.</li> </ul>

PROBLEM	URSACHE	LÖSUNG
Der Rasenmäher bleibt während des Mähens unerwartet stehen.	<ul style="list-style-type: none"> <li>Der Akku ist entladen.</li> </ul>	<ul style="list-style-type: none"> <li>Laden Sie den Akku auf.</li> </ul>
	<ul style="list-style-type: none"> <li>Der Rasenmäher ist überlastet und die Mähstatusanzeige blinkt orange.</li> </ul>	<ul style="list-style-type: none"> <li>Prüfen, ob sich unter dem Mähdeck Gras angesammelt hat, und gegebenenfalls entfernen. Schnitthöhe vergrößern oder langsamer mähen.</li> </ul>
	<ul style="list-style-type: none"> <li>Das Mähdeck wird durch Grasschnitt und Ablagerungen blockiert.</li> </ul>	<ul style="list-style-type: none"> <li>Verstopfung am Mähdeck beseitigen. Eine größere Schnitthöhe einstellen und/oder einen schmaleren Streifen mähen.</li> </ul>
	<ul style="list-style-type: none"> <li>Der Akku oder der Schaltkreis des Rasenmähers ist zu heiß. Wenn der Akku überhitzt ist, erlischt die Mähstatusanzeige. Wenn der Rasenmäher überhitzt ist, leuchtet die Mähstatusanzeige dauerhaft orange.</li> </ul>	<ul style="list-style-type: none"> <li>Den Akku oder den Rasenmäher abkühlen lassen.</li> </ul>
	<ul style="list-style-type: none"> <li>Der Messergeschwindigkeitsmodus ist nicht richtig eingestellt.</li> </ul>	<ul style="list-style-type: none"> <li>Messergeschwindigkeit auf eine niedrigere Stufe einstellen.</li> </ul>
	<ul style="list-style-type: none"> <li>Der Rasenmäherelektronik-Fehler und die Mähstatusanzeige blinken abwechselnd rot/grün.</li> </ul>	<ul style="list-style-type: none"> <li>Wenden Sie sich an den EGO-Kundenservice.</li> </ul>
Das Gerät vibriert extrem.	<ul style="list-style-type: none"> <li>Der Messersatz hat sich gelockert.</li> </ul>	<ul style="list-style-type: none"> <li>Die Schraube am Messer anziehen.</li> </ul>
	<ul style="list-style-type: none"> <li>Der Messersatz hat eine Unwucht.</li> </ul>	<ul style="list-style-type: none"> <li>Wenden Sie sich an den EGO-Kundenservice.</li> </ul>
	<ul style="list-style-type: none"> <li>Das Messer ist verbogen.</li> </ul>	<ul style="list-style-type: none"> <li>Der Messer ersetzen.</li> </ul>
	<ul style="list-style-type: none"> <li>Die Motorwelle ist verbogen.</li> </ul>	<ul style="list-style-type: none"> <li>Wenden Sie sich an den EGO-Kundenservice.</li> </ul>
	<ul style="list-style-type: none"> <li>Der Rasenmäher ist so eingestellt, dass er eine zu große Menge Gras auf einmal mäht.</li> </ul>	<ul style="list-style-type: none"> <li>Das Mähdeck auf eine größere Schnitthöhe einstellen.</li> </ul>
	<ul style="list-style-type: none"> <li>Der Messergeschwindigkeitsmodus ist nicht richtig eingestellt.</li> </ul>	<ul style="list-style-type: none"> <li>Die Messergeschwindigkeit auf eine niedrigere Stufe einstellen.</li> </ul>
Der Motor funktioniert, aber der Messersatz schneidet das Gras nicht.	<ul style="list-style-type: none"> <li>Der Messersatz ist nicht mit dem erforderlichen Drehmoment angezogen.</li> </ul>	<ul style="list-style-type: none"> <li>Den Messersatz fest anziehen. Das empfohlene Drehmoment für die Messerschraube liegt bei 50 bis 60 Nm.</li> </ul>
Der Schnitt-Auswahlknopf lässt sich nur schwer von einer Seite zur anderen bewegen.	<ul style="list-style-type: none"> <li>Auf der Schiebeklappe hat sich übermäßig viel Schnittgut angesammelt.</li> </ul>	<ul style="list-style-type: none"> <li>Säubern Sie das Mähdeck nach jeder Benutzung der Klappe von Gras.</li> </ul>



## DE GARANTIE

### EGO-GARANTIEBEDINGUNGEN

Sämtliche EGO-Garantiebedingungen finden Sie auf der Website [egopowerplus.eu](https://www.egopowerplus.eu).

## LISEZ TOUTES LES INSTRUCTIONS!

**Utilisation prévue :** Le produit est destiné à la tonte manuelle du gazon :

- Utilisez uniquement pour tondre l'herbe sèche. Ne tondez pas l'herbe mouillée.
- Ne l'utilisez à aucune autre fin.

FR

**AVERTISSEMENT :** Veuillez à lire et comprendre toutes les consignes de sécurité du présent mode d'emploi, y compris les symboles d'alerte de sécurité tels que « **DANGER** », « **AVERTISSEMENT** » et « **ATTENTION** », avant d'utiliser cette machine. Le non-respect de toutes les instructions énumérées ci-dessous peut entraîner un choc électrique, un incendie et / ou de graves blessures.

## SYMBOLES DE SÉCURITÉ



Alerte de sécurité



Toujours porter une protection auditive, un masque de protection ou des lunettes de protection avec boucliers latéraux et un masque intégral lors de l'utilisation de ce produit.



Attention à la projection d'objets - gardez les autres personnes à distance.



Tenir les mains à l'écart



Niveau de puissance acoustique garanti.



Cette machine est conforme à la législation britannique applicable.

IPX4

Protection contre les éclaboussures d'eau

mm

Millimètre



Courant continu



Pour réduire le risque de blessures, l'utilisateur doit lire et comprendre le manuel d'utilisation avant d'utiliser ce produit.



Éteindre l'outil et retirer la batterie amovible (ou le dispositif coupe-circuit) avant d'effectuer un réglage ou un nettoyage.



Tenir les mains et les pieds à l'écart des lames



Ne pas fixer les phares en fonctionnement.



Ce produit est conforme aux directives CE applicables.



Les produits électriques usagés ne doivent pas être jetés avec les ordures ménagères. Apportez-les dans un centre de recyclage agréé.

V

Volts

cm


Centimètre

kg

Kilogramme

## SPÉCIFICATIONS

FR

Tension	56 V 	
Mode de vitesse de la lame	2	
	1	
	ECO	
Positions de hauteur de coupe	8	
Réglage de la hauteur de coupe	25 mm/33 mm/43 mm/ 54 mm/66 mm/79 mm/ 92 mm/105 mm	
Largeur de coupe	55 cm	
Capacité du bac de ramassage	85 l	
Poids de la tondeuse (avec sac de ramassage et batterie BA6720T)	37 kg	
Modèle de jeu de lames	AB2212D-E	
Température d'utilisation recommandée	-0 °C - 40 °C	
Température de stockage recommandée	-20 °C - 70 °C	
Niveau de puissance acoustique mesuré $L_{WA}$	95 dB(A) K=0,7 dB(A)	
Pression acoustique au niveau des oreilles de l'opérateur $L_{PA}$	83 dB(A) K=3 dB(A)	
Niveau de puissance acoustique garanti $L_{WA}$ (mesuré selon 2000/14/CE)	96 dB(A)	
Niveau de vibration $a_h$ :	Poignée gauche	1,35 m/s <sup>2</sup> K=1,5 m/s <sup>2</sup>
	Poignée droite	1,35 m/s <sup>2</sup> K=1,5 m/s <sup>2</sup>

- La valeur totale des vibrations indiquée a été mesurée selon une procédure conforme à une méthode de test standardisée et peut servir pour comparer différentes machines.
- La valeur totale des vibrations déclarée peut également servir pour effectuer une évaluation préliminaire de l'exposition.

**⚠ AVERTISSEMENT :** Le niveau de vibrations lors de l'utilisation réelle de la machine peut être différent de la valeur déclarée totale en fonction de la manière dont la machine est utilisée. Pour se protéger, l'utilisateur doit porter des gants et des protections auditives en conditions réelles d'utilisation.

**⚠ AVERTISSEMENT :** Il est nécessaire d'identifier des mesures de sécurité nécessaires pour protéger l'opérateur en se basant sur une estimation de l'exposition dans les conditions réelles d'utilisation (en prenant en compte toutes les phases du cycle d'utilisation, telles que les moments où l'appareil est éteint, quand il fonctionne à vide et à plein régime).

## CONTENU DE L'EMBALLAGE (FIG. A1 ET A2)

NOM DES PIÈCES	QUANTITÉ
Tondeuse à gazon	1
Bac de ramassage	1
Cadre du bac de ramassage	1
Manuel d'utilisation	1

## DESCRIPTION

### DESCRIPTION DE VOTRE TONDEUSE (Fig. A1 et A2)

- Poignée
- Barre latérale
- Fixation de guidon
- Déflecteur d'éjection arrière
- Poignée de levage
- Couvercle du compartiment de la batterie
- Phares LED
- Bouton de sélection de coupe
- Roue avant
- Bouton de réglage de la hauteur de coupe
- Plateau
- Arrivée d'air
- Roue arrière
- Levier de réglage rapide
- Bac de ramassage
- Bouclier arrière
- Gâchette de rotation de la lame
- Gâchette d'autopropulsion
- Molette de réglage de la vitesse d'autopropulsion
- Bouton de mode de vitesse de la lame
- Bouton de mise en marche

22. Bouton des phares à LED
23. Icône de phares à LED
24. Indicateur de phares à LED
25. Indicateur de fonctionnement de la tondeuse
26. Icône de lame
27. Indicateur de mode de vitesse de la lame
28. Icône d'état de la tondeuse

## ASSEMBLAGE

**⚠ AVERTISSEMENT :** Si une ou plusieurs pièces sont manquantes ou endommagées, n'utilisez pas cet outil tant que toutes les pièces n'ont pas été remplacées. Utilisez cet outil avec des pièces endommagées ou manquantes peut provoquer des blessures corporelles graves.

**⚠ AVERTISSEMENT :** Pour éviter un démarrage accidentel pouvant provoquer des blessures graves, retirez toujours la batterie de la machine avant d'assembler des pièces.

**⚠ AVERTISSEMENT :** N'essayez pas de modifier cette machine ni de créer des accessoires non recommandés pour une utilisation avec cette tondeuse. Toute altération ou modification de ce type constitue un usage inapproprié et peut entraîner une situation dangereuse susceptible de causer des blessures graves.

### DÉBALLAGE

- Retirez tous les accessoires du carton.
- Saisissez l'avant de la tondeuse et la poignée de levage en même temps pour soulever soigneusement la tondeuse et l'extraire du carton.

### RÉGLAGE DU GUIDON PLIABLE

**⚠ AVERTISSEMENT :** Ne tentez pas de démarrer la tondeuse tant que la poignée n'a pas été verrouillée dans l'une des trois positions de fonctionnement pré-réglées : POSITION DE FONCTIONNEMENT SUPÉRIEURE, POSITION DE FONCTIONNEMENT INTERMÉDIAIRE et POSITION DE FONCTIONNEMENT INFÉRIEURE.

1. Maintenez le levier de réglage rapide appuyé pour débloquer le guidon de la POSITION DE RANGEMENT VERROUILLÉE (Fig. B1).

B1-1	Levier de réglage rapide
------	--------------------------

2. Relevez le guidon de sa position repliée, puis relâchez le levier. Faites pivoter le guidon délicatement vers le haut jusqu'à entendre et sentir que la goupille de blocage s'encastre dans l'une des positions tel que montré sur la Fig. B2.

B2-1	Position de stockage verrouillée	B2-2	Position de fixation ou de retrait du sac de récupération des herbes
B2-3	Position d'utilisation haute	B2-4	Position d'utilisation médiane
B2-5	Position d'utilisation basse		

3. Déployez complètement les barres latérales et fermez bien la pince de verrouillage de la poignée (Fig. B3).

**REMARQUE :** Le moteur peut être mis en marche uniquement si :

- Les barres latérales sont entièrement déployées.
- La pince de verrouillage de poignée verte est bien fermée.
- La poignée est verrouillée dans l'une des trois positions d'utilisation.

### ASSEMBLAGE DU SAC DE RÉCUPÉRATION DES HERBES (Fig. C1, C2, C3)

Vérifiez le bac de ramassage avant de l'assembler pour vous assurer qu'il n'est pas endommagé.

Assemblez le bac de ramassage comme illustré.

### BOUTON DE SÉLECTION DE COUPE (Fig. D)

Mettez le bouton de sélection de coupe sur l'une des cinq positions pour obtenir le résultat de tonte souhaité.

Le bouton permet de régler une porte coulissante de la position complètement ouverte « ENSACHAGE » à la position complètement fermée « PAILLAGE ».

Le bouton de sélection de coupe permet d'ajuster les conditions de tonte selon les besoins.

**Pour repositionner le bouton,** sortez-le du cran et mettez-le sur la position souhaitée.

**REMARQUE :** Si vous constatez une forte résistance lorsque vous déplacez le bouton de sélection de coupe d'un côté à l'autre, il est possible que de l'herbe excessive se soit accumulée sur le dessus de la porte coulissante. Nettoyez l'herbe sous le plateau de la tondeuse après chaque utilisation.

D-1	Porte coulissante	D-2	Position « PAILLAGE »
D-3	Bouton de sélection de coupe	D-4	Position « ENSACHAGE »

## POSITION DE LA PORTE COULISSANTE

La porte coulissante peut être positionnée de manière à produire différents résultats de tonte. Pour connaître la différence entre les positions, installez un sac à herbe et commencez à tondre avec le bouton de sélection de coupe complètement sur la position « ENSACHAGE ». Vérifiez l'apparence de la pelouse. Lorsque le bouton est déplacé vers la position « PAILLAGE », davantage d'herbe est recyclée dans la pelouse. Réglez le bouton de sélection de coupe jusqu'à obtenir le résultat souhaité. Le mode hybride ensachage/paillage produit une coupe nette et fine.

- **Bouton de sélection de coupe en position « ENSACHAGE »**, la porte coulissante est entièrement ouverte, permettant à toutes les coupures d'herbe d'entrer dans le sac (Fig. E1).
- **Bouton de sélection de coupe sur les positions hybrides d'ensachage/paillage**, la porte coulissante est partiellement fermée. Une partie des coupures ira dans le sac, tandis que l'autre sera finement broyée et retombera sur le sol (Fig. E2).
- **Bouton de sélection de coupe en position « PAILLAGE »**, la porte coulissante est complètement fermée. Toutes les coupures sont finement broyées puis retombent par terre (Fig. E3).

## ÉJECTION LATÉRALE

### Pour fixer/retirer la goulotte d'éjection latérale (vendue séparément)

**REMARQUE** : Assurez-vous que le dessous du plateau est propre avant d'utiliser la goulotte d'éjection latérale.

- Retirez le sac à herbe et mettez le bouton de sélection de coupe sur la position « ENSACHAGE ».
- Installez la goulotte d'éjection latérale dans la tondeuse comme indiqué sur la Fig. F.

## ENSACHEMENT COMPLET

### Fixer/Retirer le sac de ramassage

**⚠ AVERTISSEMENT** : Dans des conditions d'utilisation normales, le matériau du sac s'use. Pour réduire le risque de blessure, vérifiez fréquemment l'assemblage du bac de ramassage et remplacez-le s'il présente des signes d'usure ou de détérioration. Utilisez seulement des bacs de ramassage fabriqués pour cette tondeuse.

**REMARQUE** : Assurez-vous que le dessous du plateau est propre avant d'utiliser le sac à herbe.

- Retirez la goulotte d'éjection latérale et mettez le bouton de sélection de coupe sur la position « ENSACHAGE ».
- Installez le bac de ramassage dans la tondeuse comme indiqué sur la Fig. G.

## PAILLAGE COMPLET (Fig. H)

- Retirez le sac de déchets de coupe.
- Démontez le capot de la bouche d'éjection arrière.
- Mettez le bouton de sélection de coupe sur la position « PAILLAGE ».

## HYBRIDE ENSACHEMENT/PAILLAGE (Fig. J)

- Fixez le sac à herbe.
- Réglez le bouton de sélection de coupe sur l'une des trois positions hybrides d'ensachage/paillage.

**REMARQUE** : Lorsque le bouton de sélection de coupe est déplacé vers la position « PAILLAGE », davantage d'herbe est recyclée dans la pelouse.

Lorsque le bouton de sélection de coupe est déplacé vers la position « ENSACHAGE », davantage d'herbe est éjectée par l'arrière et aboutit dans le sac.

## RÉGLAGE DE LA HAUTEUR DE COUPE (Fig. K)

Tenez vos pieds éloignés du plateau lorsque vous réglez la hauteur de coupe.

La tondeuse peut être réglée sur 8 hauteurs de coupe différentes entre 25 mm et 105 mm. Un marquage indique la hauteur de coupe sélectionnée.

Réglez la hauteur de coupe appropriée en fonction du type et de l'état de votre gazon.

1. Éteignez la tondeuse et attendez l'arrêt complet de la lame de coupe.
2. Retirez la batterie.
3. Tirez le levier de réglage de la hauteur de coupe hors du cran et réglez-le sur la position souhaitée.

**REMARQUE** : Afin d'éviter de surcharger le moteur, évitez de régler la hauteur de coupe trop basse dans l'herbe haute. Si le moteur commence à ralentir, augmentez la hauteur de coupe.

## FONCTIONNEMENT

Retirez toujours la batterie de l'outil avant d'assembler des pièces, d'effectuer une opération de réglage ou de nettoyage, et quand vous n'utilisez pas l'outil. Retirer la batterie permet de prévenir un démarrage accidentel pouvant provoquer des blessures corporelles graves.



### INSÉRER / RETIRER LA BATTERIE (Fig. L)

Utilisez exclusivement les batteries et les chargeurs EGO listés sur la Fig. A3.

Reportez-vous aux manuels des batteries et des chargeurs correspondants pour plus de détails.

#### Rechargez complètement la batterie avant la première utilisation

1. Soulevez le couvercle du compartiment de la batterie par l'avant.
2. **Pour installer la batterie**, alignez ses arêtes avec les rainures d'assemblage et appuyez la batterie vers le bas jusqu'à entendre un déclic.
3. **Pour retirer la batterie**, appuyez sur le bouton de déverrouillage de la batterie et sortez la batterie en tirant dessus.
4. Fermez le couvercle du compartiment de la batterie.

**REMARQUE :** Avant d'utiliser l'appareil, assurez-vous que le verrou de la tondeuse se loge en place et que la batterie est bien fixée.

### SÉLECTION DU MODE DE VITESSE DE LA LAME (Fig. M)

- **Le mode 2** est un mode de vitesse de lame élevée pour des performances de levage élevées afin d'améliorer la force d'aspiration et les performances de coupe.
- **Le mode 1** est le meilleur équilibre entre performances et temps de fonctionnement.
- **Le mode ECO** offre le niveau de bruit le plus bas et l'autonomie de batterie la plus longue.

**REMARQUE :** La vitesse de la lame ne peut pas être modifiée pendant le fonctionnement. Le changement ne prendra effet qu'une fois le moteur arrêté et redémarré.

Choisissez entre **le mode 2, 1** ou **ECO** en appuyant le nombre de fois nécessaire sur le bouton du mode de vitesse de lame.

**REMARQUE :** Le mode de vitesse de la lame par défaut est le mode 1.

M-1	Indicateur de vitesse de lame	M-2	Bouton de mode de vitesse de la lame
-----	-------------------------------	-----	--------------------------------------

### MISE EN MARCHÉ/ARRÊT DE LA TONDEUSE

Ce produit peut être utilisé sous la pluie.

**⚠ AVERTISSEMENT :** Pendant l'utilisation d'une tondeuse à gazon, des objets étrangers peuvent être projetés dans vos yeux ou dans les yeux d'autres personnes et provoquer des blessures oculaires graves. Portez toujours des lunettes de protection lorsque vous utilisez la tondeuse, ainsi que lors d'un réglage ou d'une réparation.

**REMARQUE :** La lame continuera à tourner pendant quelques secondes après l'arrêt de la tondeuse. Attendez que le moteur et les lames cessent de tourner avant de remettre la tondeuse en marche. N'arrêtez et ne redémarrez pas rapidement la tondeuse.

**⚠ AVERTISSEMENT :** Arrêtez la lame si la tondeuse doit être inclinée ou transportée sur des surfaces autres que de l'herbe et lors du transport de la tondeuse vers et depuis la zone à tondre.

**⚠ AVERTISSEMENT :** N'inclinez pas la tondeuse lors de la mise en marche du moteur, sauf si la tondeuse doit être inclinée pour le démarrage. Dans ce cas, ne l'inclinez pas plus que nécessaire et soulevez uniquement la partie la plus éloignée de l'opérateur.

Avant de l'utiliser, vérifiez toujours visuellement que la lame et le boulon de la lame ne sont pas usés ou endommagés. Afin de préserver l'équilibre de la tondeuse, changez toujours la lame et le boulon en même temps.

#### Vérifiez que la lame de coupe n'est pas bloquée

- Pour éviter tout blocage, gardez la lame de coupe et le carénage de la tondeuse propres. Enlevez l'herbe coupée, les feuilles, la saleté et tout autre débris accumulé avant et après chaque utilisation.
- En cas de blocage, arrêtez la tondeuse et retirez-en la batterie, puis enlevez tous les amas d'herbe et de feuilles sur ou autour de l'arbre d'entraînement et du ventilateur du moteur (n'utilisez pas d'eau). Essayez la tondeuse avec un chiffon humide pour la nettoyer.

**ATTENTION :** N'essayez pas de passer outre le fonctionnement du bouton de mise en marche et de la gâchette de rotation de la lame.

**REMARQUE :** Le moteur ne peut démarrer que si le guidon est verrouillé dans l'une des trois positions de fonctionnement.

#### Pour démarrer la tondeuse (Fig. N1 et N2)

1. Installez la batterie dans la tondeuse et fermez le couvercle du compartiment de la batterie.
2. Appuyez sur le bouton de mise en marche pour éclairer le tableau de bord, et l'indicateur d'état de la tondeuse – l'indicateur de vitesse de la lame pour le mode 1 – s'allume.

- Appuyez sur le bouton du mode de vitesse de la lame pour sélectionner la vitesse souhaitée.
- Appuyez et maintenez le bouton de mise en marche.
- Avec le bouton de mise en marche enfoncé, tirez la gâchette de rotation de la lame jusqu'à atteindre le guidon, puis relâchez le bouton de mise en marche.

### Pour arrêter la tondeuse (Fig. N3)

- Relâchez complètement la gâchette de rotation de la lame.
- Le frein électrique dans le mécanisme de freinage automatique arrête la rotation de la lame dans les 3 secondes après le relâchement de la gâchette de rotation.

### SYSTÈME D'AUTOPROPULSION À VITESSE VARIABLE (Fig. P)

La tondeuse est pourvue d'un système d'autopropulsion à vitesse variable. Ce système d'autopropulsion est indépendant de la rotation de la lame.

### Pour faire fonctionner le système d'autopropulsion sans rotation de la lame

- Appuyez sur le bouton de mise en marche pour éclairer le tableau de bord.
- Tournez légèrement la molette de réglage de la vitesse d'autopropulsion vers l'avant jusqu'à entendre un déclic, puis appuyez sur la ou les gâchettes d'autopropulsion. Il y a deux gâchettes d'autopropulsion, appuyez sur l'une d'elles pour démarrer la fonction d'autopropulsion.

Pour la désactiver, relâchez la gâchette d'autopropulsion.

P-1	Molette de réglage de la vitesse d'autopropulsion	P-2	Gâchette d'autopropulsion
-----	---	-----	---------------------------





### PHARES LED (Fig. Q)

Pour allumer les phares, appuyez sur le bouton des phares LED. Les phares éclairent l'avant de la tondeuse.

Pour éteindre les phares, réappuyez sur ce bouton.

### INDICATEURS D'ÉTAT DE LA TONDEUSE (Fig. A2)

L'indicateur de fonctionnement de la tondeuse sur le tableau de bord affiche l'état de fonctionnement de la tondeuse.

Indicateur	Description	Signification	Action
	S'allume en vert	La tondeuse fonctionne correctement.	Aucune action requise.
	Clignote en vert	Les barres latérales ne sont pas entièrement déployées.	Éteignez la tondeuse et veillez à ce que les barres latérales soient entièrement déployées.
		Le guidon n'est pas verrouillé dans l'une des positions d'utilisation.	Éteignez la tondeuse et veillez à ce que le guidon soit verrouillé dans l'une des trois positions de fonctionnement.
	Clignote en rouge	Charge de batterie faible.	Éteignez la tondeuse et rechargez la batterie.
	S'allume en orange	La tondeuse est surchauffée.	Relâchez l'interrupteur de sécurité et attendez que la température de la tondeuse descende en dessous de 80 °C. Voir « <b>PROTECTION CONTRE LA SURCHAUFFE DE LA TONDEUSE</b> » ci-dessous.

Indicateur	Description	Signification	Action
	Clignote en orange	La tondeuse est en surcharge.	<ol style="list-style-type: none"> <li>1. Retirez la batterie, puis vérifiez si de l'herbe s'est accumulée sous le plateau. Nettoyez si nécessaire.</li> <li>2. Ralentissez votre cadence de coupe.</li> <li>3. Augmentez la hauteur de coupe.</li> <li>4. Si les solutions ci-dessus ne fonctionnent pas, veuillez contacter le Service Client EGO.</li> </ol> Voir « <b>PROTECTION CONTRE LES SURCHARGES DE LA TONDEUSE</b> » ci-dessous.
	Clignote alternativement en rouge/vert	Erreur électronique de la tondeuse.	Contactez le service client EGO.

### PROTECTION CONTRE LA SURCHAUFFE DE LA TONDEUSE

Si la température de la machine dépasse 90 °C pendant le fonctionnement, le circuit de protection de la température arrête immédiatement la tondeuse pour la protéger contre les dommages liés à une surchauffe.

L'indicateur de fonctionnement de la tondeuse s'allume en orange. Relâchez la gâchette de rotation de la lame et attendez que la tondeuse en surchauffe refroidisse et que l'indicateur de fonctionnement devienne vert, puis redémarrez la tondeuse.

### PROTECTION CONTRE LES SURCHARGES DE LA TONDEUSE

Pour éviter les surcharges, n'essayez pas de couper trop d'herbe en même temps. Diminuez votre cadence ou augmentez la hauteur de coupe.

Votre tondeuse est équipée d'un dispositif de protection intégré contre les surcharges. Si la tondeuse est en surcharge, son moteur s'arrête et son indicateur de fonctionnement clignote en orange.

### ENTRETIEN

**⚠ AVERTISSEMENT :** Pour éviter des blessures graves, éteignez toujours la tondeuse, retirez la batterie et assurez-vous que toutes les pièces mobiles sont complètement à l'arrêt avant toute opération de nettoyage, d'entretien ou de transport de la tondeuse.

**⚠ AVERTISSEMENT :** Entretenez toujours la machine régulièrement.

**⚠ AVERTISSEMENT :** Arrêtez la machine et retirez la batterie pour vous assurer que toutes les pièces mobiles se sont complètement arrêtées après avoir heurté un objet étranger, ainsi que pour vérifier que la machine n'est pas endommagée et effectuer les réparations nécessaires avant de la redémarrer et de l'utiliser.

**⚠ AVERTISSEMENT :** Arrêtez la machine et retirez la batterie pour vous assurer que toutes les pièces mobiles se sont complètement arrêtées, si la machine commence à vibrer de manière anormale, vérifiez immédiatement si elle est endommagée, remplacez ou réparez les pièces endommagées et vérifiez et resserrez les pièces desserrées.

**⚠ AVERTISSEMENT :** La machine ne doit être réparée qu'avec des pièces de rechange identiques. L'utilisation de toute autre pièce peut créer un danger ou détériorer l'outil. Pour garantir la sécurité et la fiabilité, toutes les réparations doivent être effectuées par un réparateur qualifié.

### NETTOYAGE DE LA TONDEUSE

Le dessous du plateau de la tondeuse doit être nettoyé après chaque utilisation, car les herbes coupées, les feuilles, la saleté et les autres débris s'y accumulent.

Enlevez les feuilles et les herbes accumulées sur et autour de l'arbre d'entraînement et du ventilateur du moteur. Essuyez la tondeuse avec un chiffon humide pour la nettoyer.

## REPLACEMENT DU JEU DE LAMES

(Fig. R1, R2, R3)

**⚠ AVERTISSEMENT :** Retirez toujours la batterie et le sac de ramassage.

**⚠ AVERTISSEMENT :** Portez toujours des gants de protection

**REMARQUE :** Nettoyez soigneusement la zone de l'arbre d'entraînement et le dessous de la machine avant d'installer la lame.

1. Retournez la tondeuse.
2. Démontez/montez la lame à l'aide d'une clé dynamométrique et de deux tiges métalliques, comme indiqué sur l'image.
3. Le côté imprimé de la lame doit être orienté vers l'extérieur.

## RANGEMENT DE LA TONDEUSE (Fig. S1 & S2)

- Retirez la batterie de la tondeuse et rangez-la dans un endroit propre, sec et frais. Ne la rangez pas près de matériaux corrosifs, par exemple des engrais ou des cristaux de sel.
- Videz le bac collecteur avant de le ranger.
- Laissez toujours la tondeuse refroidir avant de la ranger.
- Nettoyage et entretien avant rangement.
- Rangez la tondeuse dans un endroit couvert et fermé, frais et sec, et hors de portée des enfants.
- Ne couvrez pas la tondeuse à gazon avec un film plastique rigide. Les bâches en plastique emprisonnent l'humidité autour de la tondeuse et provoquent de la rouille et de la corrosion.
- La tondeuse peut être rangée à plat ou à la verticale (Fig. S1 et S2).

**⚠ AVERTISSEMENT :** Si la tondeuse se renverse à partir de la position verticale, cela pourrait l'endommager ou causer des blessures. Assurez-vous que la tondeuse est toujours stable et hors de portée des enfants lorsqu'elle est en position verticale. Si possible, rangez-la à plat à l'horizontale.

## PROTECTION DE L'ENVIRONNEMENT



Ne jetez pas les appareils électriques avec les déchets ménagers non triés, déposez-les dans des centres de collecte spécifiques.

Contactez votre mairie pour en savoir plus sur les systèmes de collecte disponibles.

Si les appareils électriques sont jetés dans des décharges ou des dépôts d'ordures, des substances dangereuses peuvent se répandre dans la nappe phréatique et rentrer dans la chaîne alimentaire, ce qui est néfaste pour votre santé et votre bien-être.

## GUIDE DE DÉPANNAGE

**FR**

PROBLÈME	CAUSE	SOLUTION
La tondeuse ou la fonction d'autopropulsion ne démarre pas.	<ul style="list-style-type: none"> <li>■ La batterie est déchargée.</li> </ul>	<ul style="list-style-type: none"> <li>■ Rechargez la batterie.</li> </ul>
	<ul style="list-style-type: none"> <li>■ La batterie n'est pas correctement insérée dans son compartiment.</li> </ul>	<ul style="list-style-type: none"> <li>■ Insérez la batterie dans le compartiment de batterie jusqu'à entendre un déclic.</li> </ul>
	<ul style="list-style-type: none"> <li>■ Le guidon n'est pas verrouillé dans une position de fonctionnement et l'indicateur de fonctionnement de la tondeuse clignote en vert.</li> </ul>	<ul style="list-style-type: none"> <li>■ Éteignez la tondeuse et veillez à ce que le guidon soit verrouillé dans l'une des positions de fonctionnement.</li> </ul>
	<ul style="list-style-type: none"> <li>■ Le plateau de coupe de la tondeuse est encrassé d'herbes et de débris.</li> </ul>	<ul style="list-style-type: none"> <li>■ Nettoyez le plateau de la tondeuse et assurez-vous que la lame peut bouger librement.</li> </ul>
La tondeuse coupe de façon inégale.	<ul style="list-style-type: none"> <li>■ La lame est émoussée.</li> </ul>	<ul style="list-style-type: none"> <li>■ Affûtez ou remplacez la lame.</li> </ul>
	<ul style="list-style-type: none"> <li>■ La hauteur de coupe n'est pas réglée correctement.</li> </ul>	<ul style="list-style-type: none"> <li>■ Déplacez la hauteur du plateau sur un réglage plus élevé.</li> </ul>
	<ul style="list-style-type: none"> <li>■ Le jeu de lames est mal installé.</li> </ul>	<ul style="list-style-type: none"> <li>■ Réinstallez la lame en suivant la section « <b>REMPLACEMENT DE LA LAME</b> » du présent mode d'emploi.</li> </ul>
	<ul style="list-style-type: none"> <li>■ Le mode de vitesse de la lame n'est pas réglé correctement.</li> </ul>	<ul style="list-style-type: none"> <li>■ Sélectionnez un mode de vitesse de la lame approprié.</li> </ul>
La tondeuse ne déchiquette pas correctement.	<ul style="list-style-type: none"> <li>■ Des brins d'herbe mouillés sont collés sous le plateau de coupe.</li> </ul>	<ul style="list-style-type: none"> <li>■ Attendez que l'herbe sèche avant de la tondre.</li> </ul>
	<ul style="list-style-type: none"> <li>■ La tondeuse est réglée pour couper trop d'herbe en une fois.</li> </ul>	<ul style="list-style-type: none"> <li>■ Augmentez la hauteur de coupe du plateau.</li> </ul>
	<ul style="list-style-type: none"> <li>■ Le mode de vitesse de la lame n'est pas réglé correctement.</li> </ul>	<ul style="list-style-type: none"> <li>■ Réglez la vitesse de la lame sur un réglage inférieur.</li> </ul>

PROBLÈME	CAUSE	SOLUTION
La tondeuse s'arrête de manière inattendue pendant la tonte.	<ul style="list-style-type: none"> <li>La batterie est déchargée.</li> </ul>	<ul style="list-style-type: none"> <li>Rechargez la batterie.</li> </ul>
	<ul style="list-style-type: none"> <li>La tondeuse est surchargée et l'indicateur de fonctionnement de la tondeuse clignote en orange.</li> </ul>	<ul style="list-style-type: none"> <li>Vérifiez si de l'herbe s'est accumulée sous le plateau et nettoyez si nécessaire. Augmentez la hauteur de coupe ou ralentissez le rythme de tonte.</li> </ul>
	<ul style="list-style-type: none"> <li>Le plateau de la tondeuse est encrassé d'herbes et de débris.</li> </ul>	<ul style="list-style-type: none"> <li>Désencrassez le plateau de la tondeuse. Relevez la hauteur de coupe et/ou coupez une bande plus étroite.</li> </ul>
	<ul style="list-style-type: none"> <li>La batterie ou les circuits de la tondeuse sont trop chauds. Si la batterie est en surchauffe, l'indicateur de fonctionnement de la tondeuse s'éteint. Si la tondeuse est en surchauffe, l'indicateur de fonctionnement de la tondeuse s'allume en orange.</li> </ul>	<ul style="list-style-type: none"> <li>Laissez la batterie ou la tondeuse refroidir.</li> </ul>
	<ul style="list-style-type: none"> <li>Le mode de vitesse de la lame n'est pas réglé correctement.</li> </ul>	<ul style="list-style-type: none"> <li>Réglez la vitesse de la lame sur un réglage inférieur.</li> </ul>
	<ul style="list-style-type: none"> <li>Le voyant d'erreur électronique de la tondeuse et l'indicateur de fonctionnement de la tondeuse clignotent alternativement en rouge/vert.</li> </ul>	<ul style="list-style-type: none"> <li>Contactez le Service Client EGO.</li> </ul>
Il y a des vibrations excessives.	<ul style="list-style-type: none"> <li>La lame de coupe n'est pas bien serrée.</li> </ul>	<ul style="list-style-type: none"> <li>Serrez le boulon de la lame.</li> </ul>
	<ul style="list-style-type: none"> <li>La lame est déséquilibrée.</li> </ul>	<ul style="list-style-type: none"> <li>Contactez le Service Client EGO.</li> </ul>
	<ul style="list-style-type: none"> <li>La lame de coupe est tordue.</li> </ul>	<ul style="list-style-type: none"> <li>Remplacez la lame.</li> </ul>
	<ul style="list-style-type: none"> <li>L'axe du moteur est tordu.</li> </ul>	<ul style="list-style-type: none"> <li>Contactez le Service Client EGO.</li> </ul>
	<ul style="list-style-type: none"> <li>La tondeuse est réglée pour couper trop d'herbe en une fois.</li> </ul>	<ul style="list-style-type: none"> <li>Augmentez la hauteur de coupe du plateau.</li> </ul>
	<ul style="list-style-type: none"> <li>Le mode de vitesse de la lame n'est pas réglé correctement.</li> </ul>	<ul style="list-style-type: none"> <li>Réglez la vitesse de la lame à un réglage inférieur.</li> </ul>
Le moteur fonctionne mais la lame ne coupe pas l'herbe.	<ul style="list-style-type: none"> <li>Le boulon de la lame n'est pas serré au couple requis.</li> </ul>	<ul style="list-style-type: none"> <li>Resserrez le boulon de la lame. Le couple recommandé pour le boulon de la lame est de 50-60 Nm.</li> </ul>
Difficulté à actionner le bouton de sélection de coupe d'un côté à l'autre.	<ul style="list-style-type: none"> <li>Des coupures d'herbe en excès se sont accumulées sur la goulotte.</li> </ul>	<ul style="list-style-type: none"> <li>Nettoyez l'herbe sous le plateau de la tondeuse après chaque utilisation.</li> </ul>

## GARANTIE

### POLITIQUE DE GARANTIE EGO

Rendez-vous sur le site web [egopowerplus.eu](http://egopowerplus.eu) pour consulter l'intégralité des conditions de la politique de garantie EGO.

## ¡LEA TODAS LAS INSTRUCCIONES!

**Uso previsto:** El producto está previsto para el corte manual del césped:

- Utilizar sólo para cortar hierba seca. No cortar hierba mojada.
- No lo utilice para ningún otro propósito.

**ES**

**⚠ ADVERTENCIA:** Asegúrese de leer y comprender todas las instrucciones de seguridad de este manual del usuario, incluidos todos los símbolos de aviso sobre seguridad, como «**PELIGRO**», «**ADVERTENCIA**» y «**PRECAUCIÓN**», antes de utilizar esta máquina. Si no se observan todas las instrucciones que se indican a continuación existe riesgo de incendio, electrocución y lesiones graves.

## SÍMBOLOS DE SEGURIDAD



Aviso de seguridad



Para reducir el riesgo de lesiones, el usuario debe leer y comprender el manual del usuario antes de utilizar este producto.



Utilice siempre protección auditiva, gafas de seguridad, gafas de seguridad con pantallas de protección lateral y una máscara facial completa cuando utilice este producto.



Desconecte la batería y quitela (o el dispositivo de bloqueo) antes de efectuar ajustes o limpiar la herramienta.



Tenga cuidado con los objetos que salen despedidos: mantenga alejadas a otras personas.



Mantenga las manos y los pies alejados de las cuchillas



Mantenga las manos apartadas



No mire hacia la lámpara en funcionamiento.



Nivel de potencia acústica garantizado.



Este producto está en conformidad con las directivas de la CE aplicables.



Este producto está en conformidad con la legislación aplicable del Reino Unido.



Los productos eléctricos no deben eliminarse con la basura doméstica. Lívelos a un centro de reciclaje autorizado.

IPX4 Protección contra las salpicaduras de agua

V Voltio

mm Milímetro


cm Centímetro

⎓ Corriente continua

kg Kilogramo

## ESPECIFICACIONES

ES

Tensión	56 V 	
Modo de velocidad de la cuchilla	2	
	1	
	ECO	
Posiciones de la altura de corte	8	
Ajuste de la altura de corte	25 mm/33 mm/43 mm/ 54 mm/66 mm/79 mm/ 92 mm/105 mm	
Anchura de corte	55 cm	
Capacidad de la bolsa colector de hierba	85 l	
Peso del cortacésped (con bolsa colector de hierba y batería BA6720T)	37 kg	
Modelo de juego de cuchillas	AB2212D-E	
Temperatura de funcionamiento recomendada	de 0 °C a 40 °C	
Temperatura de almacenamiento recomendada	de -20 °C a 70 °C	
Nivel de potencia acústica medida $L_{WA}$	95 dB(A) K = 0,7 dB(A)	
Nivel de presión acústica medido a la altura del oído del usuario ( $L_{PA}$ )	83 dB(A) K = 3 dB(A)	
Nivel de potencia acústica garantizada $L_{WA}$ (medido según 2000/14/CE)	96 dB(A)	
Evaluación de la vibración $a_{Hv}$ :	Empuñadura izquierda	1,35 m/s <sup>2</sup> K = 1,5 m/s <sup>2</sup>
	Empuñadura derecha	1,35 m/s <sup>2</sup> K = 1,5 m/s <sup>2</sup>

- El valor de vibración total ha sido medido de acuerdo con el método de prueba estándar y se puede utilizar para comparar máquinas.

- El valor total de vibración declarado se puede usar además en una evaluación preliminar del grado de exposición.

**⚠ ADVERTENCIA:** Las vibraciones generadas durante el uso real de la máquina pueden diferir del valor declarado en función de la manera en que se utilice. Como protección, el usuario debería utilizar guantes y protectores auditivos en condiciones reales de uso.

**⚠ ADVERTENCIA:** Es necesario identificar medidas de seguridad para proteger al usuario, que se basen en una estimación de la exposición en las condiciones reales de uso (teniendo en cuenta todas las partes del ciclo de uso, como los tiempos en los que la herramienta está parada y el funcionamiento en ralentí, además del tiempo de accionamiento).

## LISTA DE CONTENIDO (FIG. A1 Y A2)

NOMBRE DE LA PIEZA	CANTIDAD
Cortacésped	1
Bolsa colector de hierba	1
Bastidor de la bolsa colector de hierba	1
Manual del usuario	1

## DESCRIPCIÓN

### FAMILIARÍCESE CON EL CORTACÉSPED (Fig. A1 y A2)

- Asa
- Tubo lateral
- Abrazadera de bloqueo del tubo del manillar
- Trampilla de descarga trasera
- Empuñadura de elevación
- Tapa del compartimento de la batería
- Faros LED
- Mando selector de recortes
- Rueda delantera
- Mando de ajuste de la altura de corte
- Plataforma
- Entrada de aire
- Rueda trasera
- palanca de ajuste rápido
- Bolsa colector de hierba
- Faldón trasero
- Gatillo de rotación de la cuchilla



18. Gatillo de autopropulsión
19. Selector de velocidad de autopropulsión
20. Botón de modo de velocidad de la cuchilla
21. Botón de encendido
22. Botón de faros LED
23. Icono de faros LED
24. Indicador de faros LED
25. Indicador del estado del cortacésped
26. Icono de cuchilla
27. Indicador de modo de velocidad de la cuchilla
28. Icono de estado del cortacésped

## MONTAJE

**⚠ ADVERTENCIA:** Si alguna pieza falta o está rota, no utilice el producto hasta haber sustituido las piezas. Podrían producirse lesiones graves en caso de utilizar el producto si alguna de sus piezas falta o está dañada.

**⚠ ADVERTENCIA:** Para evitar una puesta en marcha accidental que podría causar lesiones graves, quite siempre la batería de la máquina antes de montar piezas.

**⚠ ADVERTENCIA:** No intente modificar esta máquina ni fabricar accesorios no recomendados para su uso en este cortacésped. Cualquier alteración o modificación se considerará como uso indebido y podría dar lugar a una situación peligrosa con el consiguiente riesgo de sufrir lesiones físicas de importancia.

### DESEMBALAJE

- Saque todos los accesorios de la caja.
- Sujete la parte delantera del cortacésped y la empuñadura de elevación al mismo tiempo para levantar con cuidado el cortacésped y sacarlo de la caja.

### AJUSTE DEL MANILLAR PLEGABLE

**⚠ ADVERTENCIA:** No intente poner en marcha el cortacésped hasta que el manillar esté correctamente bloqueado en una de sus tres posiciones de uso predeterminadas: POSICIÓN ALTA DE FUNCIONAMIENTO, POSICIÓN MEDIA DE FUNCIONAMIENTO y POSICIÓN BAJA DE FUNCIONAMIENTO.

1. Mantenga presionada la palanca de ajuste rápido para liberar el manillar de su POSICIÓN BLOQUEADA PARA EL ALMACENAMIENTO (fig. B1).

B1-1	Palanca de ajuste rápido
------	--------------------------

2. Levante el manillar de la posición plegada y después suelte la palanca. Con suavidad, eleve el manillar hasta que se oiga y se note que el pasador de bloqueo ha encajado en una de las distintas posiciones, como se muestra en la fig. B2.

B2-1	Posición bloqueada para almacenamiento	B2-2	Posición para poder colocar o retirar la bolsa colectora de hierba
B2-3	Posición baja de funcionamiento	B2-4	Posición media de funcionamiento
B2-5	Posición alta de funcionamiento		

3. Extienda totalmente los tubos laterales del manillar y cierre firmemente la abrazadera de bloqueo (fig. B3).

**NOTA:** No será posible poner en marcha el motor si no se cumple lo siguiente:

- Los tubos laterales están totalmente extendidos.
- La abrazadera verde de bloqueo del manillar está correctamente cerrada.
- El manillar está bloqueado en una de las tres posiciones de funcionamiento.

### MONTAJE DE LA BOLSA COLECTORA DE HIERBA (Fig. C1, C2, C3)

Examine la bolsa colectora de hierba antes de proceder a su montaje a fin de asegurarse de que no presenta daños.

Monte la colectora bolsa de hierba como se muestra en la ilustración.

### MANDO SELECTOR DE RECORTES (Fig. D)

Coloque el mando selector de recortes en cualquiera de las cinco posiciones para lograr los resultados de corte deseados.

Con el mando se puede ajustar una puerta corredera desde la posición «BAG» (bolsa) completamente abierta hasta la posición «MULCH» (mantillo) completamente cerrada.

Al ajustar el mando selector de recortes, se pueden cumplir varias condiciones de corte.

**Para cambiar la posición del mando,** Saque el mando del retén y colóquelo en la posición deseada.

**AVISO:** Si se nota una alta resistencia al mover el mando de selección de recortes de lado a lado, es posible que se haya acumulado demasiada hierba en la parte superior de la puerta corredera. Limpie el césped debajo de la plataforma de corte después de cada uso.

D-1	Puerta corredera	D-2	Posición «MULCH» (mantillo)
D-3	Mando selector de recortes	D-4	Posición «BAG» (bolsa)

## POSICIÓN DE LA PUERTA CORREDERA

La puerta corredera se puede colocar para producir diferentes resultados de corte. Para aprender la diferencia entre las posiciones, instale una bolsa colectora de hierba y comience a cortar el césped con el mando selector de recortes en la posición «BAG» (bolsa). Compruebe el aspecto del césped. A medida que el mando se mueve hacia la posición «MULCH» (mantillo), se reciclará más hierba en el césped. Ajuste el mando selector de recortes hasta lograr el resultado deseado. El modo híbrido de embolsado/mantillo dará como resultado un corte limpio y fino.

- **Mando selector de recortes en la posición «BAG» (bolsa)**, la puerta corredera está completamente abierta, lo que permite que todos los recortes de césped entren a la bolsa (fig. E1).
- **Mando selector de recortes en posiciones híbridas de embolsado/mantillo**, la puerta corredera está parcialmente cerrada. Algunos recortes entrarán en la bolsa, y otros se triturarán finamente y se dirigirán al suelo (fig. E2).
- **Mando selector de recortes en la posición «MULCH» (mantillo)**, la puerta corredera está completamente cerrada. Todos los recortes se triturarán finamente y se dirigirán al suelo (fig. E3).

## DESCARGA LATERAL

### Cómo colocar o retirar la tolva de descarga lateral (se vende por separado)

**AVISO:** Asegúrese de que la parte inferior de la plataforma esté limpia antes de usar la tolva de descarga lateral.

- Retire la bolsa colectora de hierba y coloque el mando selector de recortes en la posición «BAG» (bolsa).
- Instale la tolva de descarga lateral en el cortacésped como se muestra en la fig. F.

## EMBOLSADO COMPLETO

### Cómo instalar o retirar la bolsa colectora de hierba

**⚠ ADVERTENCIA:** En condiciones normales de uso, el material de la bolsa colectora de hierba se desgasta. Para reducir el riesgo de lesiones, examine con frecuencia

la bolsa colectora de hierba y cámbiela si hay signos de desgaste o deterioro. Utilice únicamente bolsas colectoras fabricadas para este cortacésped.

**AVISO:** Asegúrese de que la parte inferior de la plataforma esté limpia antes de usar la bolsa colectora de hierba.

- Retire la tolva de descarga lateral y coloque el mando selector de recortes en la posición «BAG» (bolsa).
- Instale la bolsa colectora de hierba en el cortacésped como se muestra en la fig. G.

## MANTILLO COMPLETO (Fig. H)

- Retire la bolsa colectora de hierba.
- Suelte la trampilla de descarga trasera.
- Coloque el mando selector de recortes en la posición «MULCH» (mantillo).

## HÍBRIDO DE EMBOLSADO/MANTILLO (Fig. J)

- Coloque la bolsa colectora de hierba.
- Coloque el mando selector de recortes en una de las tres posiciones híbridas de embolsado/mantillo.

**NOTA:** A medida que el mando selector de recortes se mueve hacia la posición «MULCH» (mantillo), se reciclará más hierba en el césped.

A medida que el mando selector de recortes se mueve hacia la posición «BAG» (bolsa), se descargará más hierba a través de la descarga trasera a la bolsa colectora de hierba.

## AJUSTE DE LA ALTURA DE CORTE (Fig. K)

Mantenga los pies apartados de la plataforma de corte al ajustar la altura de corte.

El cortacésped puede ajustarse a 8 alturas de corte entre 25 mm y 105 mm. Una marca indica la altura de corte seleccionada.

Seleccione la altura de corte adecuada según el tipo y estado de la hierba a cortar.

1. Apague el cortacésped y espere a que la cuchilla de corte se detenga por completo.
2. Quite la batería recargable.
3. Saque la palanca de ajuste de la altura de corte del enclavamiento y colóquela en la posición deseada.

**NOTA:** Para evitar sobrecargar el motor, evite establecer la altura de corte demasiado baja en hierba alta. Si la velocidad del motor comienza a disminuir, aumente la altura de corte.

## FUNCIONAMIENTO

Retire siempre el acumulador del producto antes de instalar alguna pieza, efectuar ajustes, proceder a su limpieza, o cuando la herramienta no esté en uso. El hecho de retirar el acumulador permitirá evitar cualquier puesta en marcha accidental de la herramienta que podría dar lugar a lesiones físicas graves.

### INSTALAR/QUITAR LA BATERÍA (Fig. L)

Utilice únicamente los modelos de baterías y cargadores de EGO indicados en la fig. A3.

Consulte los manuales de las baterías y cargadores correspondientes para obtener más detalles.

### Cargue totalmente la batería antes de usarla por primera vez

1. Levante la tapa del compartimiento de las baterías elevando la parte delantera de la tapa.
2. **Para instalarla**, alinee las nervaduras de la batería con las ranuras de montaje, e introduzca la batería presionándola hacia abajo hasta oír un «clic».
3. **Para sacarla**, pulse el botón de liberación de la batería y saque la batería tirando de ella.
4. Cierre la tapa del compartimiento de las baterías.

**AVISO:** Asegúrese de que la lengüeta del cortacésped enganche en su lugar y la batería esté sujeta en el cortacésped antes de ponerlo en marcha.

### SELECCIÓN DEL MODO DE VELOCIDAD DE LA CUCHILLA (Fig. M)

- **El modo 2** es el modo de alta velocidad de la cuchilla para mejorar la fuerza de succión o el rendimiento de corte.
- **El modo 1** es el mejor equilibrio entre rendimiento y tiempo de funcionamiento.
- **El modo ECO** proporciona el menor nivel de ruido y la mayor autonomía de la batería.

**NOTA:** La velocidad de la cuchilla no se puede ajustar durante el funcionamiento. El cambio surtirá efecto solo después de que el motor se detenga y vuelva a arrancar.

Seleccione entre **Modo 2, 1** o **ECO** pulsando secuencialmente el botón de modo de velocidad de la cuchilla.

**NOTA:** El modo predeterminado de velocidad de la cuchilla es el **1**.

M-1	Indicador de la velocidad de la cuchilla	M-2	Botón de modo de velocidad de la cuchilla
-----	--	-----	---

## PUESTA EN MARCHA Y PARADA DEL CORTACÉSPED

El producto puede utilizarse con lluvia.

**⚠ ADVERTENCIA:** Es posible que, al utilizar el cortacésped, salgan despedidos objetos que podrían causar lesiones oculares graves al usuario y a otras personas. Por lo tanto, lleve siempre gafas de seguridad cuando utilice el cortacésped y cuando realice ajustes o reparaciones en el mismo.

**AVISO:** La cuchilla continúa girando durante unos segundos después de haber apagado el cortacésped. Espere a que el motor o la cuchilla hayan dejado de girar antes de volver a poner en marcha el aparato. No encienda y apague rápidamente el cortacésped.

**⚠ ADVERTENCIA:** Pare la cuchilla en caso de que sea necesario inclinar el cortacésped para transportarlo, así como al atravesar superficies que no sean de hierba y al transportarlo hasta y desde su lugar de uso.

**⚠ ADVERTENCIA:** No incline el producto mientras arranca el motor, excepto si es necesario inclinarlo para el arranque. En ese caso, no incline la herramienta más de lo absolutamente necesario y eleve únicamente la parte que queda más alejada del usuario.

Antes de utilizar la máquina, compruebe siempre visualmente que la cuchilla y el perno de la cuchilla no estén desgastados ni dañados. Sustituya simultáneamente la cuchilla dañada o desgastada con su perno para mantener así el equilibrado correcto del conjunto.

### Compruebe si la cuchilla está bloqueada

- Para evitar que se bloquee, mantenga limpias la cuchilla y la plataforma del cortacésped. Retire los recortes de césped, las hojas, la suciedad y cualquier otro residuo acumulado antes y después de cada uso.
- Cuando se produzca un bloqueo, pare el cortacésped y quite la batería; a continuación, elimine cualquier acumulación de hierba y hojas sobre o alrededor del eje de transmisión y el ventilador del motor. Limpie el cortacésped con un paño húmedo.

**PRECAUCIÓN:** No intente anular el funcionamiento del botón de encendido y del gatillo de rotación de la cuchilla.

**NOTA:** El motor no puede arrancar a menos que el manillar esté bloqueado en una de las tres posiciones de funcionamiento.

### Para arrancar el cortacésped (Fig. N1 y N2)

1. Coloque la batería en el cortacésped y cierre la tapa del compartimento de la batería.
2. Pulse el botón de encendido para iluminar el panel de mando, y se encenderá el indicador de estado del cortacésped (el indicador de velocidad de la cuchilla para el modo 1).
3. Pulse el botón de modo de velocidad de la cuchilla para seleccionar la velocidad que desee.
4. Mantenga pulsado el botón de encendido.
5. Con el botón de encendido pulsado, tire del gatillo de rotación de la cuchilla hasta que se encuentre con el manillar, y suelte el botón de encendido.

### Para parar el cortacésped (Fig. N3)

1. Suelte completamente el gatillo de rotación de la cuchilla.
2. El freno eléctrico incorporado en el mecanismo automático de frenado detendrá la rotación de la cuchilla en el transcurso de 3 segundos después de soltar el gatillo de rotación de la cuchilla.

### SISTEMA DE AUTOPROPULSIÓN DE VELOCIDAD VARIABLE (Fig. P)

El cortacésped está equipado con una función de autopropulsión de velocidad variable. Este sistema de autopropulsión es independiente de la rotación de la cuchilla.

### Para accionar el sistema de autopropulsión sin rotación de la cuchilla

1. Pulse el botón de encendido para iluminar el panel de control.
2. Gire ligeramente el selector de velocidad de autopropulsión hacia delante hasta que se escuche un clic. A continuación, presione el(los) gatillo(s) de autopropulsión. Hay dos gatillos de autopropulsión. Presione cualquiera de ellos para iniciar la función de autopropulsión.

Para apagar la autopropulsión, suelte el gatillo de autopropulsión.

P-1	Selector de velocidad de autopropulsión	P-2	Gatillo de autopropulsión
-----	---	-----	---------------------------




### FAROS LED (FIG. Q)

Para encender los faros, pulse el botón de los faros LED. Los faros proporcionan una luz intensa que ilumina la zona situada delante del cortacésped.

Para apagar los faros, pulse de nuevo el botón.

### INDICADORES DE ESTADO DEL CORTACÉSPED (Fig. A2)

El indicador del estado del cortacésped en el panel de control muestra el estado de funcionamiento del cortacésped.

Indicador	Descripción	Significado	Acción
	Verde fijo	El cortacésped funciona correctamente.	No es necesaria ninguna acción.
	Parpadeando en verde	Los tubos laterales no están totalmente extendidos.	Pare el cortacésped y compruebe que los tubos laterales están totalmente extendidos.
		El manillar no está bloqueado en una posición de funcionamiento.	Pare el cortacésped y asegúrese de que el manillar está bloqueado en una de las tres posiciones de funcionamiento.
	Parpadeando en rojo	Baja carga de batería.	Apague el cortacésped y cargue la batería.

Indicador	Descripción	Significado	Acción
	Naranja fijo	El cortacésped se ha sobrecalentado.	Suelte el interruptor de embrague y espere hasta que la temperatura del cortacésped descienda por debajo de 80 °C. Consulte « <b>PROTECCIÓN CONTRA SOBRECALENTAMIENTO DEL CORTACÉSPED</b> » a continuación.
	Parpadeando en naranja	El cortacésped se ha sobrecargado.	<ol style="list-style-type: none"> <li>1. Quite la batería y, a continuación, compruebe si se ha acumulado hierba debajo de la plataforma. Dado el caso, límpiela.</li> <li>2. Reduzca la longitud de zancada cuando corte.</li> <li>3. Eleve la altura de corte.</li> <li>4. Si las soluciones anteriores no funcionan, póngase en contacto con el servicio de atención al cliente de EGO.</li> </ol> Consulte « <b>PROTECCIÓN CONTRA SOBRECARGA DEL CORTACÉSPED</b> » a continuación.
	Parpadeando alternativamente en rojo y verde	Error del sistema electrónico del cortacésped.	Póngase en contacto con el servicio de asistencia técnica de EGO.

### PROTECCIÓN CONTRA SOBRECALENTAMIENTO DEL CORTACÉSPED

Si la temperatura del cortacésped supera los 90 °C durante el funcionamiento, el circuito de protección de temperatura apagará inmediatamente el cortacésped para evitar daños por sobrecalentamiento.

El indicador del estado del cortacésped se encenderá de color naranja fijo. Suelte el gatillo de rotación de la cuchilla y espere hasta que el cortacésped sobrecalentado se enfríe y el indicador del estado cambie a verde; a continuación, vuelva a arrancar el cortacésped.

### PROTECCIÓN CONTRA SOBRECARGA DEL CORTACÉSPED

Para evitar condiciones de sobrecarga, no trate de cortar demasiada cantidad de hierba de una sola pasada. Reduzca la longitud de zancada o eleve la altura de corte.

El cortacésped lleva incorporado un circuito de protección contra sobrecarga. Si el cortacésped se sobrecarga, el motor se parará y el indicador del estado del cortacésped en el panel de control parpadeará de color naranja.

### MANTENIMIENTO

**⚠ ADVERTENCIA:** Para evitar lesiones personales graves, apague siempre el cortacésped, quite la batería y asegúrese de que todas las piezas móviles se han detenido por completo antes de limpiarlo, realizar cualquier tarea de mantenimiento o transportar el cortacésped.

**⚠ ADVERTENCIA:** Someta siempre la máquina a un mantenimiento regular.

**⚠ ADVERTENCIA:** Detenga la máquina y saque la batería para asegurarse de que todas las piezas móviles se han detenido por completo después de golpear un objeto extraño, y para inspeccionar la máquina en busca de daños y realizar reparaciones antes de volver a arrancarla y ponerla en funcionamiento.

**⚠ ADVERTENCIA:** Si la máquina comienza a vibrar de forma anormal, detenga la máquina y saque la batería para asegurarse de que todas las piezas móviles se han detenido por completo y, a continuación, inspeccione inmediatamente si hay daños, sustituya o repare las piezas dañadas y compruebe si hay piezas sueltas y apriételas.

**⚠ ADVERTENCIA:** Cuando repare el aparato, utilice solo piezas idénticas a las originales. La utilización de otras piezas podría suponer un peligro o causar daños en el producto. Para garantizar la seguridad y fiabilidad de la herramienta, las reparaciones debe realizarlas únicamente un técnico cualificado.

## LIMPIEZA DEL CORTACÉSPED

Deberá limpiarse la superficie inferior de la plataforma del cortacésped después de cada uso, ya que se acumulan recortes de hierba, hojas, suciedad y otros residuos.

Elimine cualquier acumulación de hierba y hojas encima o alrededor del eje de accionamiento y del ventilador del motor. Limpie el cortacésped con un paño húmedo.

## SUSTITUCIÓN DEL JUEGO DE CUCHILLAS

(Fig. R1, R2, R3)

**⚠ ADVERTENCIA:** Quite siempre la batería y la bolsa colectora de hierba.

**⚠ ADVERTENCIA:** Utilice siempre guantes de protección.

**AVISO:** Limpie a fondo la zona del eje de transmisión y la parte inferior de la máquina antes de instalar el juego de cuchillas.

1. Ponga el cortacésped boca abajo.
2. Desmonte/instale el juego de cuchillas con una llave dinamométrica y dos varillas metálicas como ayuda, como se muestra en la imagen.
3. El lado impreso de la cuchilla hacia el exterior.

## ALMACENAMIENTO DEL CORTACÉSPED

(Fig. S1 y S2)

- Quite la batería del cortacésped y guárdela en un lugar fresco, seco y limpio. No la guarde junto a materiales corrosivos, como fertilizantes o sal gema.
- Vacíe la bolsa colectora de hierba antes de guardarla.
- Espere siempre a que el cortacésped se enfríe antes de guardarlo.
- Realice la limpieza y el mantenimiento antes del almacenamiento.
- Almacene el cortacésped en un espacio cubierto, cerrado, fresco y seco, fuera del alcance de niños.
- No cubra el cortacésped con una funda de plástico gruesa. Las fundas de plástico acumulan humedad alrededor del cortacésped, provocando óxido y corrosión.
- El cortacésped se puede guardar plano o en posición vertical (fig. S1 y S2).

**⚠ ADVERTENCIA:** Si el cortacésped se inclina desde la posición vertical, pueden producirse daños o lesiones. Mantenga siempre el cortacésped en una posición estable y fuera del alcance de niños cuando lo almacene verticalmente. Si es posible, almacénelo en posición horizontal.

## PROTECCIÓN DEL MEDIO AMBIENTE



No elimine los aparatos eléctricos como basura sin clasificar. Utilice las instalaciones de recogida de residuos específicas.

Póngase en contacto con su ayuntamiento para informarse acerca de los sistemas de recogida disponibles.

Si los aparatos eléctricos acabaran tirándose a vertederos o basureros, podrían desprender sustancias perjudiciales que llegarían a contaminar las capas freáticas y entrar en la cadena alimenticia, con el consecuente peligro para la salud y calidad de vida humana.

## SOLUCIÓN DE PROBLEMAS

PROBLEMA	CAUSA	SOLUCIÓN
El cortacésped o la función de autopropulsión no arrancan.	<ul style="list-style-type: none"> <li>La carga de la batería está agotada.</li> </ul>	<ul style="list-style-type: none"> <li>Cargue la batería.</li> </ul>
	<ul style="list-style-type: none"> <li>La batería no está correctamente insertada en el compartimento de la batería.</li> </ul>	<ul style="list-style-type: none"> <li>Inserte la batería en el compartimento de la batería hasta que se oiga un «clic».</li> </ul>
	<ul style="list-style-type: none"> <li>El manillar no está bloqueado en una posición de funcionamiento y el indicador de estado del cortacésped parpadea en verde.</li> </ul>	<ul style="list-style-type: none"> <li>Pare el cortacésped y asegúrese de que el manillar está bloqueado en una de las posiciones de funcionamiento.</li> </ul>
	<ul style="list-style-type: none"> <li>La plataforma del cortacésped está obstruida con restos de hierba y suciedad.</li> </ul>	<ul style="list-style-type: none"> <li>Limpie la plataforma del cortacésped y asegúrese de que el juego de cuchillas gira libremente.</li> </ul>
El cortacésped no corta de manera uniforme.	<ul style="list-style-type: none"> <li>El juego de cuchillas está embotada.</li> </ul>	<ul style="list-style-type: none"> <li>Afile el juego de cuchillas o sustitúyalo.</li> </ul>
	<ul style="list-style-type: none"> <li>La altura de corte de hierba no está correctamente ajustada.</li> </ul>	<ul style="list-style-type: none"> <li>Mueva la altura de la plataforma a un ajuste más alto.</li> </ul>
	<ul style="list-style-type: none"> <li>El juego de cuchillas está instalado incorrectamente.</li> </ul>	<ul style="list-style-type: none"> <li>Vuelva a instalar el juego de cuchillas, siguiendo el apartado «<b>SUSTITUCIÓN DEL JUEGO DE CUCHILLAS</b>» de este manual.</li> </ul>
	<ul style="list-style-type: none"> <li>El modo de velocidad de la cuchilla no está ajustado correctamente.</li> </ul>	<ul style="list-style-type: none"> <li>Seleccione un modo de velocidad de la cuchilla adecuado.</li> </ul>
El cortacésped no tritura correctamente la hierba.	<ul style="list-style-type: none"> <li>Hay recortes de hierba húmeda adheridos en la superficie inferior de la plataforma de corte.</li> </ul>	<ul style="list-style-type: none"> <li>Espere a que la hierba esté seca antes de cortar el césped.</li> </ul>
	<ul style="list-style-type: none"> <li>El cortacésped está ajustado para cortar una elevada cantidad de hierba en cada pasada.</li> </ul>	<ul style="list-style-type: none"> <li>Eleve la plataforma a una posición que permita una mayor altura de corte.</li> </ul>
	<ul style="list-style-type: none"> <li>El modo de velocidad de la cuchilla no está ajustado correctamente.</li> </ul>	<ul style="list-style-type: none"> <li>Seleccione una velocidad más baja de la cuchilla.</li> </ul>

PROBLEMA	CAUSA	SOLUCIÓN
El cortacésped se para inesperadamente mientras corta.	<ul style="list-style-type: none"> <li>La carga de la batería está agotada.</li> </ul>	<ul style="list-style-type: none"> <li>Cargue la batería.</li> </ul>
	<ul style="list-style-type: none"> <li>El cortacésped está sobrecargado y el indicador del estado del cortacésped parpadea en naranja.</li> </ul>	<ul style="list-style-type: none"> <li>Compruebe si se ha acumulado hierba bajo la plataforma y límpiela si es necesario. Aumente la altura de corte o ralentice su ritmo al cortar la hierba.</li> </ul>
	<ul style="list-style-type: none"> <li>La plataforma del cortacésped está obstruida con restos de hierba y suciedad.</li> </ul>	<ul style="list-style-type: none"> <li>Retire cualquier acumulación de hierba o suciedad de la plataforma del cortacésped. Aumente la altura de corte y/o corte una hilera más estrecha.</li> </ul>
	<ul style="list-style-type: none"> <li>La batería o el circuito del cortacésped se han sobrecalentado. Si la batería está sobrecalentada, el indicador del estado del cortacésped se apaga. Si el cortacésped está sobrecalentado, el indicador del estado del cortacésped se enciende fijo de color naranja.</li> </ul>	<ul style="list-style-type: none"> <li>Deje que la batería o el cortacésped se enfríen.</li> </ul>
	<ul style="list-style-type: none"> <li>El modo de velocidad de la cuchilla no está ajustado correctamente.</li> </ul>	<ul style="list-style-type: none"> <li>Seleccione una velocidad más baja de la cuchilla.</li> </ul>
	<ul style="list-style-type: none"> <li>El error del sistema electrónico del cortacésped y el indicador del estado del cortacésped parpadean alternativamente en rojo/verde.</li> </ul>	<ul style="list-style-type: none"> <li>Póngase en contacto con el servicio de asistencia técnica de EGO.</li> </ul>
La herramienta vibra en exceso.	<ul style="list-style-type: none"> <li>El juego de cuchillas está suelto.</li> </ul>	<ul style="list-style-type: none"> <li>Apriete el tornillo de fijación de la cuchilla.</li> </ul>
	<ul style="list-style-type: none"> <li>El juego de cuchillas está desequilibrado.</li> </ul>	<ul style="list-style-type: none"> <li>Póngase en contacto con el servicio de asistencia técnica de EGO.</li> </ul>
	<ul style="list-style-type: none"> <li>La cuchilla está doblada.</li> </ul>	<ul style="list-style-type: none"> <li>Sustituya la cuchilla por otra nueva.</li> </ul>
	<ul style="list-style-type: none"> <li>El eje del motor está doblado.</li> </ul>	<ul style="list-style-type: none"> <li>Póngase en contacto con el servicio de asistencia técnica de EGO.</li> </ul>
	<ul style="list-style-type: none"> <li>El cortacésped está ajustado para cortar una elevada cantidad de hierba en cada pasada.</li> </ul>	<ul style="list-style-type: none"> <li>Eleve la plataforma a una posición que permita una mayor altura de corte.</li> </ul>
	<ul style="list-style-type: none"> <li>El modo de velocidad de la cuchilla no está ajustado correctamente.</li> </ul>	<ul style="list-style-type: none"> <li>Ajuste una velocidad más baja de la cuchilla.</li> </ul>



PROBLEMA	CAUSA	SOLUCIÓN
El motor funciona pero el juego de cuchillas no corta la hierba.	<ul style="list-style-type: none"> <li>El tornillo del juego de cuchillas no está apretado al par necesario.</li> </ul>	<ul style="list-style-type: none"> <li>Vuelva a apretar cuchilla el juego de cuchillas. El par de apriete recomendado para el tornillo de la cuchilla es de 50 a 60 Nm.</li> </ul>
Dificultad para mover el mando selector de recortes de un lado a otro.	<ul style="list-style-type: none"> <li>Se han acumulado demasiados recortes de césped en la parte superior de la puerta corredera.</li> </ul>	<ul style="list-style-type: none"> <li>Limpie el césped de la plataforma de corte después de cada uso.</li> </ul>

**ES**

## GARANTÍA

### POLÍTICA DE GARANTÍA DE EGO

Visite la página web [egopowerplus.eu](http://egopowerplus.eu) para conocer los términos y condiciones completos de la política de garantía de EGO.

## LEIA TODAS AS INSTRUÇÕES!

**Utilização prevista:** O produto foi criado para cortar manualmente a relva:

- Use apenas para cortar relva seca. Não corte relva molhada.
- Não utilize o aparelho para outra finalidade.

**PT**

**AVISO:** Certifique-se de que lê e compreende todos os avisos de segurança neste manual do utilizador, incluindo todos os símbolos de alerta de segurança, como “**PERIGO**”, “**AVISO**”, e “**CUIDADO**” antes de usar esta máquina. Não seguir todas as instruções apresentadas abaixo pode resultar em choque elétrico, incêndio e/ou ferimentos graves.

## SÍMBOLOS DE SEGURANÇA



Alerta de segurança



Use sempre proteção auditiva, óculos de segurança com proteção lateral e, se necessário, uma proteção completa do rosto, quando utilizar este produto.



Cuidado com os objetos ressaltados. Mantenha as outras pessoas afastadas.



Mantenha as mãos afastadas.



Nível de potência do som garantido.



Este produto encontra-se em conformidade com a legislação no Reino Unido.

IPX4 Proteção contra salpicos

mm Milímetro

☰ Corrente direta



Para reduzir o risco de ferimentos, o utilizador tem de ler e compreender o manual do utilizador antes de utilizar este produto.



Desligue e retire a bateria (ou dispositivo de desativação) antes de efetuar quaisquer ajustes ou limpeza.



Mantenha as mãos e os pés afastados das lâminas.



Não olhe diretamente para a lâmpada em funcionamento.



Este produto encontra-se em conformidade com as diretivas CE aplicáveis.



Os produtos elétricos residuais não deverão ser eliminados juntamente com o lixo doméstico comum. Entregue-os num centro de reciclagem autorizado.

V Volts

cm Centímetro

kg Quilograma

## CARACTERÍSTICAS TÉCNICAS

Voltagem	56 V	
Modo da velocidade da lâmina	2	
	1	
	ECO	
Posições da altura de corte	8	
Definição da altura de corte	25 mm, 33 mm, 43 mm, 54 mm, 66 mm, 79 mm, 92 mm, 105 mm	
Largura de corte	55 cm	
Volume do saco de recolha da relva	85 L	
Peso da máquina de cortar relva (com saco para relva e bateria BA6720T)	37 kg	
Modelo da lâmina	AB2212D-E	
Temperatura de funcionamento recomendada	0 °C - 40 °C	
Temperatura de armazenamento recomendada	-20 °C - 70 °C	
Nível de potência do som medido $L_{WA}$	95 dB(A) K=0,7 dB(A)	
Nível da pressão do som no ouvido do operador $L_{PA}$	83 dB(A) K=3 dB(A)	
Nível de potência do som garantido $L_{WA}$ (medido de acordo com 2000/14/CE)	96 dB(A)	
Avaliação da vibração ah:	Pega esquerda	1,35 m/s <sup>2</sup> K=1,5 m/s <sup>2</sup>
	Pega direita	1,35 m/s <sup>2</sup> K=1,5 m/s <sup>2</sup>

- O valor total declarado da vibração foi medido de acordo com um método de teste padrão e pode ser usado para comparar duas máquinas.
- O valor total declarado da vibração também pode ser usado numa avaliação preliminar da exposição.

**⚠ AVISO:** A emissão de vibrações durante a utilização da máquina pode diferir do valor declarado em que a máquina é usada. De modo a proteger o utilizador, este deverá usar luvas e proteção auditiva nas condições atuais de utilização.

**⚠ AVISO:** Necessidade de identificar medidas de segurança para proteger o operador, que se baseiam numa estimativa de exposição nas condições reais de utilização (tendo em conta todos os componentes do ciclo de funcionamento como as alturas em que a ferramenta se encontra desligada ou inativa, para além do tempo de ativação).

PT

## LISTA DE PEÇAS (IMAGEM A1 E A2)

NOME DA PEÇA	QUANTIDADE
Máquina de Cortar Relva	1
Saco de recolha da relva	1
Estrutura do saco de recolha da relva	1
Manual do utilizador	1

## DESCRIÇÃO

### CONHEÇA A SUA MÁQUINA DE CORTAR RELVA (Imagem A1 e A2)

1. Pega
2. Calha lateral
3. Braçadeira de fixação da pega
4. Porta de descarga traseira
5. Pega de elevação
6. Tampa do compartimento da bateria
7. Luzes LED
8. Manipulo de seleção do clipe
9. Roda dianteira
10. Manipulo de ajuste da altura de corte
11. Plataforma
12. Entrada do ar
13. Roda traseira
14. Alavanca de ajuste rápido
15. Saco de recolha da relva
16. Proteção posterior
17. Gatilho de rotação da lâmina
18. Gatilho autopropulsor
19. Disco da velocidade autopropulsora

20. Botão do modo da velocidade da lâmina
21. Botão da alimentação
22. Botão das luzes LED
23. Ícone das luzes LED
24. Indicador das luzes LED
25. Indicador do estado da máquina de cortar relva
26. Ícone da lâmina
27. Indicador do modo da velocidade da lâmina
28. Ícone do estado da máquina de cortar relva

## MONTAGEM

**⚠️ AVISO:** Se quaisquer peças estiverem danificadas ou em falta, não utilize este produto até as peças serem substituídas. Utilizar este produto com peças danificadas ou em falta pode dar origem a ferimentos sérios.

**⚠️ AVISO:** Para evitar um arranque acidental que possa causar ferimentos sérios, retire sempre a bateria da máquina durante a montagem das peças.

**⚠️ AVISO:** Não tente modificar esta máquina nem criar acessórios que não sejam recomendados para utilizar com esta máquina de cortar relva. Qualquer alteração ou modificação é considerada uma má utilização e pode dar origem a perigos, que podem levar a ferimentos sérios.

## DESEMPACOTAR

- Retire todos os acessórios da caixa.
- Segure a parte da frente da máquina de cortar relva e a pega de elevação em simultâneo para levantar cuidadosamente a máquina de cortar relva para fora da caixa.

## AJUSTAR A PEGA DESDOBRÁVEL

**⚠️ AVISO:** Não tente ligar a máquina de cortar relva até que a pega esteja bloqueada numa das três posições de funcionamento predefinidas: POSIÇÃO DE FUNCIONAMENTO SUPERIOR, POSIÇÃO DE FUNCIONAMENTO INTERMÉDIA e POSIÇÃO DE FUNCIONAMENTO INFERIOR.

1. Prima e mantenha premida a alavanca de ajuste rápido para libertar a pega da POSIÇÃO BLOQUEADA DE ARMAZENAMENTO (Imagem B1).

B1-1	Alavanca de ajuste rápido
------	---------------------------

2. Comece por levantar a pega da sua posição dobrada e, de seguida, liberte a alavanca. Rode suavemente a pega para cima até ouvir e sentir a cavilha de fixação a fixar numa de diferentes posições conforme indicado na Imagem B2.

B2-1	Posição bloqueada de armazenamento	B2-2	Posição de fixação/remoção do saco de recolha da relva
B2-3	Posição de funcionamento superior	B2-4	Posição de funcionamento intermédia
B2-5	Posição de funcionamento inferior		

3. Estique por completo as calhas laterais e bloqueie de novo a braçadeira de fixação da pega (Imagem B3).

**NOTA:** O motor não liga, a não ser que:

- As calhas laterais estejam completamente esticadas.
- A braçadeira verde de fixação da pega esteja bem fechada.
- A pega esteja fixada numa das três posições de funcionamento.

## MONTAR O SACO DE RECOLHA DA RELVA (Imagem C1, C2, C3)

Verifique o saco de recolha da relva antes da montagem. Certifique-se de que não tem danos.

Monte o saco de recolha da relva conforme ilustrado.

## MANÍPULO DE SELEÇÃO DO CLIPE (Imagem D)

Coloque o manípulo de seleção do clipe em qualquer uma das cinco posições para obter os resultados de corte desejados.

O manípulo pode ajustar uma porta deslizante desde completamente aberta, posição do saco "BAG", até completamente fechada, posição de adubar "MULCH".

Ao ajustar o manípulo de seleção do clipe, pode ir ao encontro de várias condições de corte.

**Para reposicionar o manípulo,** puxe o manípulo para fora do fixador e coloque-o na posição desejada.

**AVISO:** Se encontrar uma forte resistência quando mover o manípulo de seleção do clipe de um lado para o outro, pode-se ter acumulado relva em excesso por cima da porta deslizante. Limpe a relva por baixo da plataforma da máquina de cortar relva após cada utilização.

D-1	Porta deslizante	D-2	Posição de adubar ("MULCH")
D-3	Manípulo de seleção do clipe	D-4	Posição do saco ("BAG")

## POSIÇÃO DA PORTA DESLIZANTE

A porta deslizante pode ser posicionada para produzir diferentes resultados de corte. Para saber a diferença entre as posições, instale um saco de recolha da relva e comece a cortar com o manípulo de seleção do clipe completamente na posição do saco (“BAG”). Verifique o estado do relvado. À medida que o manípulo é movido para a posição de adubar (“MULCH”), mais relva será reciclada de volta para o relvado. Ajuste o manípulo de seleção do clipe até que o resultado desejado seja obtido. O modo híbrido de saco e de adubar dará origem a um corte limpo e preciso.

- **Coloque o manípulo de seleção do clipe na posição do saco (“BAG”).** A porta deslizante está completamente aberta, permitindo que toda a relva cortada entre no saco (Imagem E1).
- **Coloque o manípulo de seleção do clipe nas posições híbridas de saco e de adubar.** A porta deslizante fica parcialmente fechada. Alguma relva cortada vai para o saco e alguma será cortada com precisão e colocada diretamente no chão (Imagem E2).
- **Coloque o manípulo de seleção do clipe na posição de adubar (“MULCH”).** A porta deslizante fica completamente fechada. Toda a relva cortada será colocada no chão para adubar (Imagem E3).

## DESCARGA LATERAL

### Fixar/retirar a saída de descarga lateral (vendida separadamente)

**AVISO:** Certifique-se de que a parte inferior da plataforma está limpa antes de usar a saída de descarga lateral.

- Retire o saco de recolha da relva e coloque o manípulo de seleção do clipe na posição do saco (“BAG”).
- Instale a saída de descarga lateral na máquina de cortar relva, conforme apresentado na Imagem F.

## SACO CHEIO

### Fixar e retirar o saco de recolha da relva

**AVISO:** Numa utilização normal, o material do saco de recolha da relva está sujeito a desgaste. Para reduzir o risco de ferimentos, inspecione frequentemente o saco de recolha da relva e substitua-o se houver sinais de desgaste ou de deterioração. Use apenas sacos de recolha da relva fabricados para esta máquina de cortar relva.

**AVISO:** Certifique-se de que a parte inferior da plataforma está limpa antes de usar o saco de recolha da relva.

- Retire a saída de descarga lateral e coloque o manípulo de seleção do clipe na posição do saco (“BAG”).
- Instale o saco de recolha da relva na máquina de cortar relva, conforme apresentado na Imagem G.

## ADUBAR (Imagem H)

- Retire o saco de recolha da relva.
- Liberte a porta de descarga traseira.
- Coloque o manípulo de seleção do clipe na posição de adubar (“MULCH”).

## HÍBRIDO COM SACO E ADUBAR (Imagem J)

- Fixe o saco de recolha da relva.
- Coloque o manípulo de seleção do clipe numa das três posições híbridas de saco e adubar.

**NOTA:** À medida que o manípulo de seleção do clipe é movido para a posição de adubar (“MULCH”), mais relva será reciclada de volta para o relvado.

À medida que o manípulo de seleção do clipe é movido para a posição do saco (“BAG”), mais relva será libertada através da descarga traseira para o saco de recolha da relva.

## AJUSTE DA ALTURA DE CORTE (Imagem K)

Mantenha os pés afastados da plataforma quando ajustar a altura de corte.

A máquina de cortar relva pode ser definida para 8 alturas de corte entre 25 mm e 105 mm. Uma marca indica a altura de corte selecionada.

Escolha a altura de corte adequada de acordo com o tipo e condição da relva a ser cortada.

1. Desligue a máquina de cortar relva e espere que a lâmina de corte pare por completo.
2. Retire a bateria.
3. Puxe a alavanca de ajuste da altura de corte para fora da retenção, e coloque na posição desejada.

**NOTA:** Para evitar sobrecarregar o motor, evite definir a altura de corte muito baixa em relva alta. Se a velocidade do motor começar a abrandar, aumente a altura de corte.

## FUNCIONAMENTO

Retire sempre a bateria do produto quando estiver a montar peças, fazer ajustes, limpar ou quando não utilizar o produto. Retirar a bateria evita um arranque acidental que poderia causar ferimentos sérios.

## FIXAR/RETIRAR A BATERIA (Imagem L)

Utilize apenas com as baterias e carregadores da EGO listados na Imagem A3.

Consulte os manuais da bateria e do carregador para obter mais detalhes.

PT

### Carregue por completo antes da primeira utilização

1. Levante a frente da tampa do compartimento da bateria.
2. **Para fixar**, alinhe as abas da bateria com as ranhuras de fixação e empurre a bateria para baixo até ouvir um “clique”.
3. **Para libertar**, prima o botão de libertação da bateria e puxe a bateria para fora.
4. Feche a tampa do compartimento da bateria.

**AVISO:** Certifique-se de que a aba na máquina de cortar relva fica fixa, e que a bateria também fica fixa na máquina de cortar relva antes de começar a utilização.

### SELECIONAR O MODO DA VELOCIDADE DA LÂMINA (Imagem M)

- **O modo 2** é o modo de alta velocidade da lâmina para um desempenho elevado, para melhorar a força de aspiração e desempenho de corte.
- **O modo 1** é o melhor equilíbrio entre desempenho e tempo de funcionamento.
- **O modo ECO** fornece o nível de ruído mais baixo e maior tempo de funcionamento da bateria.

**NOTA:** A velocidade da lâmina pode ser ajustada durante o funcionamento. A alteração tem efeito apenas após o motor ser parado e ligado de novo.

Selecione entre o **modo 2, 1** ou **ECO**, premindo sequencialmente o botão do modo da velocidade da lâmina.

**NOTA:** O modo predefinido da velocidade da lâmina é o **1**.

M-1	Indicador da velocidade da lâmina	M-2	Botão do modo da velocidade da lâmina
-----	-----------------------------------	-----	---------------------------------------

### LIGAR/DESLIGAR A MÁQUINA DE CORTAR RELVA

O produto pode ser usado à chuva.

**AVISO:** O funcionamento de qualquer máquina de cortar relva pode dar origem ao ressalto de quaisquer objetos estranhos que podem ser atirados para os olhos, podendo dar origem a sérias lesões óticas. Use sempre óculos de segurança enquanto utiliza a máquina de cortar relva, ou enquanto efetua quaisquer ajustes ou reparações.

**AVISO:** A lâmina continua a rodar durante alguns segundos após a máquina de cortar relva ser desligada. Deixe o motor/lâmina pararem por completo antes de voltar a ligar. Não ligue e desligue rapidamente a máquina de cortar relva.

**AVISO:** Pare as lâminas caso a máquina de cortar relva seja inclinada para ser transportada quando passar por superfícies que não sejam relvadas e quando transportar a máquina de cortar relva de e para a área a ser cortada.

**AVISO:** Não incline a máquina de cortar relva quando ligar o motor, a não ser que a máquina tenha de ser inclinada para ligar. Neste caso, só deve ser inclinado o estritamente necessário e levantar apenas a parte que está afastada do operador.

Antes da utilização, inspecione sempre visualmente se a lâmina e o parafuso da lâmina não estão gastos ou danificados. Substitua parafusos e lâminas gastas ou danificadas e outros componentes em simultâneo, para preservar o equilíbrio.

### Verifique se existem bloqueios na lâmina de corte

- Para evitar bloqueios, mantenha a lâmina de corte e a base da máquina de cortar relva limpas. Retire restos de relva, folhas, sujidade e outros detritos acumulados antes e após cada utilização.
- Quando acontecer um bloqueio, pare a máquina de cortar relva e retire a bateria. Depois, retire qualquer acumulação de relva e folhas em redor do eixo condutor e ventoinha do motor. Limpe a máquina de cortar relva com um pano ligeiramente embebido em água.

**CUIDADO:** Não tente anular o funcionamento do botão da alimentação nem do gatilho de rotação da lâmina.

**NOTA:** O motor não liga, a não ser que a pega fique bloqueada numa das três posições de funcionamento.

### Ligar a sua máquina de cortar relva (Imagem N1 e N2)

1. Fixe a bateria na máquina de cortar relva e feche a tampa do compartimento da bateria.
2. Prima o botão da alimentação para acender o painel de instrumentos, e o indicador do estado da máquina de cortar relva, juntamente com o indicador da velocidade da lâmina **1** acendem.
3. Prima o botão do modo da velocidade da lâmina para selecionar a velocidade desejada.

4. Prima e mantenha premido o botão da alimentação.
5. Com o botão da alimentação premido, puxe o gatilho de rotação da lâmina para a pega e liberte o botão da alimentação.

#### Parar a máquina de cortar relva (Imagem N3)

1. Liberte por completo o gatilho de rotação da lâmina.
2. O travão elétrico do mecanismo de travagem automática vai parar a rotação da lâmina no espaço de 3 segundos após libertar o gatilho de rotação da lâmina.

#### SISTEMA AUTOPROPULSOR DE VELOCIDADE VARIÁVEL (Imagem P)

A máquina de cortar relva está equipada com capacidade de autopropulsor de velocidade variável. Este sistema autopropulsor é independente da rotação da lâmina.

#### Para operar o sistema autopropulsor sem rotação da lâmina

1. Prima o botão da alimentação para ligar o painel de instrumentos.
2. Rode ligeiramente o disco da velocidade autopropulsor para a frente até ouvir um clique. Depois, prima o(s) gatilho(s) autopropulsor(es). Existem dois gatilhos autopropulsores. Prima um deles para iniciar a função autopropulsora.

**Para desligar o sistema autopropulsor**, liberte o gatilho autopropulsor.

P-1	Disco da velocidade autopropulsora	P-2	Gatilho autopropulsor
-----	------------------------------------	-----	-----------------------

#### LUZES LED (Imagem Q)



**Para ligar as luzes**, prima o botão das luzes LED. As luzes fornecem iluminação na frente da máquina de cortar relva.

**Para desligar as luzes**, prima de novo o botão.

#### INDICADORES DO ESTADO DA MÁQUINA DE CORTAR RELVA (Imagem A2)

O indicador do estado da máquina de cortar relva no painel de instrumentos apresenta o estado de funcionamento da máquina de cortar relva.

Indicador	Descrição	Significado	Ação
	Verde contínuo	A máquina está a funcionar corretamente.	Não é necessária qualquer ação.
	Verde a piscar	As calhas laterais não estão esticadas por completo.	Pare a máquina de cortar relva e certifique-se de que as calhas laterais estão completamente esticadas.
		A pega não está bloqueada numa das posições de funcionamento.	Pare a máquina de cortar relva e certifique-se de que a pega fica fixada numa das três posições de funcionamento.
	Vermelho a piscar	Carga da bateria baixa.	Pare a máquina de cortar relva e recarregue a bateria.
	Cor-de-laranja contínuo	A máquina de cortar relva sobreaqueceu.	Liberte o interruptor de asa, espere que a temperatura da máquina de cortar relva desça abaixo dos 80 °C. Consulte <b>"PROTEÇÃO CONTRA ALTA TEMPERATURA DA MÁQUINA"</b> apresentado abaixo.

Indicador	Descrição	Significado	Ação
	Cor-de-laranja a piscar	A máquina de cortar relva está sobrecarregada.	<ol style="list-style-type: none"> <li>1. Retire a bateria, depois verifique e limpe a base, caso tenha erva por baixo. Limpe, se for necessário.</li> <li>2. Abrande o seu ritmo quando cortar.</li> <li>3. Aumente a altura de corte.</li> <li>4. Se as soluções apresentadas acima não funcionarem, contacte o serviço de apoio ao cliente da EGO.</li> </ol> Consulte “ <b>PROTEÇÃO CONTRA SOBRECARGA DA MÁQUINA DE CORTAR RELVA</b> ” apresentado abaixo.
	Vermelho/verde a piscar alternadamente	Erro eletrónico da máquina de cortar relva.	Contacte o serviço de apoio ao cliente da EGO.

## PROTEÇÃO CONTRA ALTA TEMPERATURA DA MÁQUINA DE CORTAR RELVA

Se a temperatura da máquina de cortar relva exceder os 90 °C durante o funcionamento, o circuito de proteção da temperatura desliga imediatamente a máquina de cortar relva para a proteger de danos devido ao sobreaquecimento.

O indicador do estado da máquina de cortar relva acende a cor-de-laranja. Liberte o gatilho de rotação da lâmina e espere até que a máquina de cortar relva arrefeça e o indicador do estado fique verde. Depois, reinicie a máquina de cortar relva.

## PROTEÇÃO CONTRA SOBRECARGAS DA MÁQUINA DE CORTAR RELVA

Para evitar condições de sobrecarga, não tente cortar demasiada relva de uma vez. Abrande o ritmo de corte ou aumente a altura de corte.

A sua máquina de cortar relva tem uma proteção incorporada no circuito contra sobrecargas. Quando a máquina de cortar relva estiver sobrecarregada, o motor pára e o indicador do estado da máquina de cortar relva no painel de instrumentos pisca a cor-de-laranja.

## MANUTENÇÃO

**AVISO:** Para evitar ferimentos sérios, desligue sempre a máquina de cortar relva, retire a bateria e certifique-se de que todas as peças móveis pararam por completo antes de proceder à limpeza, manutenção ou transporte da máquina de cortar relva.

**AVISO:** Efetue sempre a manutenção regular da máquina.

**AVISO:** Pare a máquina e retire a bateria, para se certificar de que todas as peças móveis pararam por completo após ter batido num objeto. Inspeccione a máquina quanto a danos e faça as reparações necessárias antes de reiniciar e utilizar a máquina.

**AVISO:** Pare a máquina e retire a bateria, para se certificar de que todas as peças móveis pararam por completo. Se a máquina começar a vibrar anormalmente, inspeccione imediatamente se existem danos. Substitua ou repare quaisquer peças danificadas e verifique se existem peças desapertadas. Se tal for o caso, aperte-as.

**AVISO:** Quando fizer reparações, utilize apenas peças de substituição idênticas. A utilização de outras peças pode dar origem a perigos ou danos no produto. Para garantir a segurança e bom funcionamento, todas as reparações deverão ser efetuadas por um técnico de reparação qualificado.

## LIMPAR A MÁQUINA DE CORTAR RELVA

A parte inferior da plataforma da máquina de cortar relva deverá ser limpa após cada utilização, pois os restos de relva, folhas, sujidade e outros resíduos acumulam-se.

Retire quaisquer restos de relva e de folhas do eixo condutor ou à volta deste e da ventoinha do motor. Limpe a máquina de cortar relva com um pano ligeiramente embebido em água.



### SUBSTITUIÇÃO DO CONJUNTO DA LÂMINA (Imagem R1, R2, R3)

**AVISO:** Retire sempre a bateria e o saco de recolha da relva.

**AVISO:** Use sempre luvas de proteção.

**AVISO:** Limpe bem a área do eixo condutor e a parte inferior da máquina antes de instalar o conjunto da lâmina.

1. Vire a máquina de cortar relva ao contrário.
2. Retire/instale a lâmina com uma chave dinamométrica e duas hastes de metal para ajudar, conforme ilustrado.
3. O lado impresso da lâmina fica virado para fora.

### GUARDAR A MÁQUINA DE CORTAR RELVA (Imagem S1 e S2)

- Retire a bateria da máquina de cortar relva e armazene num local fresco, seco e limpo. Não guarde perto de materiais corrosivos, como fertilizante ou pedras de sal.
- Esvazie o saco da relva antes da arrumação.
- Deixe sempre a máquina de cortar relva arrefecer antes de a guardar.
- Efetue a limpeza e manutenção antes de a guardar.
- Armazene a máquina de cortar relva num espaço coberto e fechado, fresco e seco, e fora do alcance das crianças.
- Não cubra a máquina de cortar relva com um plástico sólido. As coberturas de plástico impedem que a humidade saia, causando ferrugem e corrosão.
- A máquina de cortar relva pode ser armazenada na vertical ou na horizontal (Imagem S1 e S2).

**AVISO:** Se a máquina de cortar relva começar a inclinar-se, isso pode dar origem a danos na máquina ou ferimentos. Mantenha sempre a máquina de cortar relva estável e fora do alcance de crianças quando estiver na vertical. Se possível, deite-a quando a guardar.

### PROTEJA O AMBIENTE



Não elimine aparelhos elétricos juntamente com o lixo doméstico comum. Utilize sistemas de recolha em separado para este tipo de produtos.

Contacte as autoridades locais para obter mais informações em relação aos sistemas de recolha disponíveis.

Se os aparelhos elétricos forem deitados para aterros ou lixeiras, podem derramar substâncias tóxicas para a terra, entrando na água e depois na cadeia alimentar, causando danos na sua saúde e no seu bem-estar.

PT

## RESOLUÇÃO DE PROBLEMAS

PT

PROBLEMA	CAUSA	SOLUÇÃO
A máquina de cortar relva ou a função autopropulsora não inicia.	<ul style="list-style-type: none"> <li>■ A bateria está gasta.</li> </ul>	<ul style="list-style-type: none"> <li>■ Carregue a bateria.</li> </ul>
	<ul style="list-style-type: none"> <li>■ A bateria não foi inserida corretamente no compartimento da bateria.</li> </ul>	<ul style="list-style-type: none"> <li>■ Insira a bateria no compartimento da bateria até ouvir um “clique”.</li> </ul>
	<ul style="list-style-type: none"> <li>■ A pega não está bloqueada numa das posições de funcionamento e o indicador do estado da máquina de cortar relva pisca a verde.</li> </ul>	<ul style="list-style-type: none"> <li>■ Pare a máquina de cortar relva e certifique-se de que a pega fica fixada numa das posições de funcionamento.</li> </ul>
	<ul style="list-style-type: none"> <li>■ A plataforma da máquina de cortar relva está obstruída com relva e detritos.</li> </ul>	<ul style="list-style-type: none"> <li>■ Limpe a plataforma da máquina de cortar relva e certifique-se de que o conjunto da lâmina se move livremente.</li> </ul>
A máquina de cortar relva corta de um modo pouco uniforme.	<ul style="list-style-type: none"> <li>■ O conjunto da lâmina está rombo.</li> </ul>	<ul style="list-style-type: none"> <li>■ Afie ou substitua o conjunto da lâmina.</li> </ul>
	<ul style="list-style-type: none"> <li>■ A altura de corte da relva não foi definida corretamente.</li> </ul>	<ul style="list-style-type: none"> <li>■ Mova a altura da plataforma para uma posição mais elevada.</li> </ul>
	<ul style="list-style-type: none"> <li>■ O conjunto de lâmina foi instalado incorretamente.</li> </ul>	<ul style="list-style-type: none"> <li>■ Volte a instalar o conjunto da lâmina, tendo em conta a secção <b>“SUBSTITUIÇÃO DO CONJUNTO DA LÂMINA”</b> neste manual.</li> </ul>
	<ul style="list-style-type: none"> <li>■ O modo da velocidade da lâmina não foi definido corretamente.</li> </ul>	<ul style="list-style-type: none"> <li>■ Selecione um modo da velocidade da lâmina adequado.</li> </ul>
A máquina de cortar relva não aduba corretamente.	<ul style="list-style-type: none"> <li>■ Existe relva molhada colada na parte inferior.</li> </ul>	<ul style="list-style-type: none"> <li>■ Espere que a relva seque antes de cortar.</li> </ul>
	<ul style="list-style-type: none"> <li>■ A máquina de cortar relva foi configurada para cortar demasiada relva de uma vez.</li> </ul>	<ul style="list-style-type: none"> <li>■ Levante a plataforma para uma altura de corte superior.</li> </ul>
	<ul style="list-style-type: none"> <li>■ O modo da velocidade da lâmina não foi definido corretamente.</li> </ul>	<ul style="list-style-type: none"> <li>■ Selecione uma velocidade mais baixa da lâmina.</li> </ul>

PROBLEMA	CAUSA	SOLUÇÃO
A máquina de cortar relva pára enquanto corta relva.	<ul style="list-style-type: none"> <li>■ A bateria está gasta.</li> </ul>	<ul style="list-style-type: none"> <li>■ Carregue a bateria.</li> </ul>
	<ul style="list-style-type: none"> <li>■ A máquina de cortar relva está sobrecarregada e o indicador do estado da máquina de cortar relva pisca a cor-de-laranja.</li> </ul>	<ul style="list-style-type: none"> <li>■ Verifique se se acumulou relva por baixo da plataforma, e limpe, se necessário. Aumente a altura de corte ou abrande o ritmo de corte.</li> </ul>
	<ul style="list-style-type: none"> <li>■ A plataforma da máquina de cortar relva está obstruída com relva e detritos.</li> </ul>	<ul style="list-style-type: none"> <li>■ Limpe a plataforma da máquina de cortar relva. Aumente a altura de corte e/ou corte uma faixa mais estreita.</li> </ul>
	<ul style="list-style-type: none"> <li>■ A bateria ou o circuito da máquina de cortar relva está demasiado quente. Se a bateria sobreaquecer, o indicador do estado da máquina de cortar relva desliga-se. Se a máquina de cortar relva sobreaquecer, o indicador do estado da máquina de cortar relva permanece ligado a cor-de-laranja.</li> </ul>	<ul style="list-style-type: none"> <li>■ Permita que a bateria ou a máquina de cortar relva arrefeça.</li> </ul>
	<ul style="list-style-type: none"> <li>■ O modo da velocidade da lâmina não foi definido corretamente.</li> </ul>	<ul style="list-style-type: none"> <li>■ Selecione uma velocidade mais baixa da lâmina.</li> </ul>
	<ul style="list-style-type: none"> <li>■ Erro eletrónico da máquina de cortar relva, e o indicador do estado da máquina de cortar relva pisca alternadamente a vermelho/verde.</li> </ul>	<ul style="list-style-type: none"> <li>■ Contacte o centro de reparação da EGO.</li> </ul>
Há vibração excessiva.	<ul style="list-style-type: none"> <li>■ O conjunto da lâmina de corte está solto.</li> </ul>	<ul style="list-style-type: none"> <li>■ Aperte o parafuso da lâmina.</li> </ul>
	<ul style="list-style-type: none"> <li>■ A lâmina de corte está desequilibrada.</li> </ul>	<ul style="list-style-type: none"> <li>■ Contacte o centro de reparação da EGO.</li> </ul>
	<ul style="list-style-type: none"> <li>■ A lâmina de corte está dobrada.</li> </ul>	<ul style="list-style-type: none"> <li>■ Substitua a lâmina.</li> </ul>
	<ul style="list-style-type: none"> <li>■ O eixo do motor está dobrado.</li> </ul>	<ul style="list-style-type: none"> <li>■ Contacte o centro de reparação da EGO.</li> </ul>
	<ul style="list-style-type: none"> <li>■ A máquina de cortar relva foi configurada para cortar demasiada relva de uma vez.</li> </ul>	<ul style="list-style-type: none"> <li>■ Levante a plataforma para uma altura de corte superior.</li> </ul>
	<ul style="list-style-type: none"> <li>■ O modo da velocidade da lâmina não foi definido corretamente.</li> </ul>	<ul style="list-style-type: none"> <li>■ Selecione uma velocidade mais baixa da lâmina.</li> </ul>
O motor funciona, mas o conjunto da lâmina não corta a relva.	<ul style="list-style-type: none"> <li>■ O conjunto da lâmina não está apertado com o binário necessário.</li> </ul>	<ul style="list-style-type: none"> <li>■ Volte a apertar o conjunto da lâmina. O binário recomendado para o parafuso da lâmina é de 50-60 Nm.</li> </ul>
Dificuldade em mover o manípulo de seleção do clipe de um lado para o outro.	<ul style="list-style-type: none"> <li>■ Acumulou-se demasiada relva cortada por cima do deslizador.</li> </ul>	<ul style="list-style-type: none"> <li>■ Limpe a relva na plataforma da máquina de cortar relva após cada utilização.</li> </ul>

## GARANTIA

### POLÍTICA DE GARANTIA EGO

Visite o website [egopowerplus.eu](http://egopowerplus.eu) para os termos e condições completos da política de garantia da EGO.

## LEGGERE TUTTE LE ISTRUZIONI!

**Destinazione d'uso:** questo prodotto è destinato al taglio di erba in ambito domestico.

- Usarlo esclusivamente per tagliare erba asciutta. Non usarlo per tagliare erba bagnata.
- Non usarlo per altri scopi.

IT

**AVVERTENZA!** Accertarsi di aver letto e compreso tutte le istruzioni di sicurezza in questo manuale, inclusi tutti i simboli di avvertenza come "**PERICOLO**", "**AVVERTENZA**" e "**ATTENZIONE**" prima di usare l'apparecchio. Il mancato rispetto di tutte le istruzioni elencate di seguito comporta il rischio di scossa elettrica, incendio e/o lesioni gravi.

## SIMBOLI DI SICUREZZA



Avvertenza di sicurezza



Durante l'uso del prodotto, indossare sempre protezione per le orecchie e occhiali protettivi o occhiali di sicurezza con protezioni laterali e una maschera facciale.



Fare attenzione agli oggetti proiettati dall'apparecchio. Tenere a distanza le altre persone.



Tenere le mani a distanza.



Livello di potenza sonora garantito.



Questo prodotto è conforme alle direttive britanniche applicabili.

IPX4

Protezione dagli schizzi d'acqua

mm

Millimetro



Corrente continua



Per ridurre il rischio di infortuni, l'operatore deve leggere e comprendere tutte le istruzioni prima di usare questo prodotto.



Arrestare l'apparecchio e rimuovere il gruppo batteria (o il dispositivo di attivazione) prima di effettuare le operazioni di regolazione o pulizia.



Tenere mani e piedi a distanza dalle lame.



Non fissare la fonte luminosa.



Questo prodotto è conforme alle direttive europee applicabili.



Gli apparecchi elettrici non devono essere smaltiti insieme ai rifiuti domestici. Portarli presso un centro di riciclaggio autorizzato.

V

Volt

cm

Centimetro

kg

Chilogrammo

## SPECIFICHE TECNICHE

Tensione	56 V	
Livelli di velocità della lama	2	
	1	
	ECO	
Livelli di altezza di taglio	8	
Altezze di taglio	25 mm/33 mm/43 mm/ 54 mm/66 mm/79 mm/ 92 mm/105 mm	
Ampiezza di taglio	55 cm	
Volume del contenitore dell'erba	85 L	
Peso del tosaerba (con contenitore dell'erba e batteria BA6720T)	37 kg	
Modello del gruppo lama	AB2212D-E	
Temperatura di funzionamento raccomandata	Da 0°C a 40°C	
Temperatura di conservazione raccomandata	Da -20°C a 70°C	
Livello di potenza sonora misurato $L_{WA}$	95 dB(A) K=0,7 dB(A)	
Livello di pressione sonora a livello dell'orecchio dell'operatore $L_{PA}$	83 dB(A) K=3 dB(A)	
Livello di potenza sonora garantito $L_{WA}$ (misurato ai sensi di 2000/14/EC)	96 dB(A)	
Valore di emissione delle vibrazioni $a_n$ :	Impugnatura sinistra	1,35 m/s <sup>2</sup> K=1,5 m/s <sup>2</sup>
	Impugnatura destra	1,35 m/s <sup>2</sup> K=1,5 m/s <sup>2</sup>

- Il valore totale di emissione delle vibrazioni dichiarato è stato misurato con un metodo di valutazione standard e può essere utilizzato per confrontare l'apparecchio con altri prodotti analoghi.
- Il valore totale di emissione delle vibrazioni dichiarato può essere utilizzato anche per una valutazione preliminare dei livelli di esposizione.

**⚠ AVVERTENZA!** Il valore di emissione delle vibrazioni durante l'uso effettivo dell'apparecchio può variare rispetto al valore totale dichiarato in base alla modalità di utilizzo dell'apparecchio. Per proteggersi, l'operatore deve indossare guanti e dispositivi di protezione per le orecchie in base alle condizioni di utilizzo effettive.

**⚠ AVVERTENZA!** Adottare adeguate misure di sicurezza per proteggere l'operatore in base alla stima dell'esposizione nelle condizioni di utilizzo effettive (tenendo in considerazione tutte le fasi del ciclo di utilizzo: tempo di arresto, di funzionamento a vuoto e di avvio).

IT

## CONTENUTO DELL'IMBALLAGGIO (FIG. A1, A2)

ARTICOLO	QUANTITÀ
Tosaerba	1
Contenitore dell'erba	1
Telaio del contenitore dell'erba	1
Manuale di istruzioni	1

## DESCRIZIONE

### COMPONENTI DEL TOSAERBA (Fig. A1, A2)

1. Impugnatura
2. Binario laterale
3. Morsetto di bloccaggio del manubrio
4. Sportello dello scarico posteriore
5. Impugnatura di sollevamento
6. Coperchio del vano batteria
7. Fanali LED
8. Leva di selezione della modalità
9. Ruota anteriore
10. Leva di regolazione dell'altezza di taglio
11. Piatto di taglio
12. Apertura di ingresso dell'aria
13. Ruota posteriore
14. Leva di regolazione rapida
15. Contenitore dell'erba
16. Paraspruzzi posteriore
17. Barra di avvio della lama
18. Leve di avanzamento automatico
19. Selettore della velocità di avanzamento automatico
20. Pulsante della velocità della lama
21. Pulsante di accensione

22. Pulsante dei fanali
23. Simbolo dei fanali
24. Indicatore dei fanali
25. Indicatore dello stato del tosaerba
26. Simbolo della lama
27. Indicatore della velocità della lama
28. Simboli dello stato del tosaerba

IT

## ASSEMBLAGGIO

**⚠ AVVERTENZA!** In caso di componenti danneggiati o mancanti, non usare il prodotto finché i componenti non vengono sostituiti. L'uso del prodotto con componenti danneggiati o mancanti comporta il rischio di lesioni gravi.

**⚠ AVVERTENZA!** Per evitare l'avvio accidentale e il conseguente rischio di lesioni gravi, rimuovere sempre il gruppo batteria dall'apparecchio durante l'assemblaggio dei componenti.

**⚠ AVVERTENZA!** Non tentare di modificare l'apparecchio o creare accessori non raccomandati per l'uso con questo apparecchio. Tali alterazioni o modifiche costituiscono un uso improprio e comportano condizioni pericolose e il rischio di lesioni.

### DISIMBALLAGGIO

- Estrarre tutti gli accessori dall'imballaggio.
- Afferrare simultaneamente la parte anteriore del tosaerba e l'impugnatura di sollevamento per sollevare il tosaerba ed estrarlo dall'imballaggio.

### REGOLAZIONE DEL MANUBRIO PIEGHEVOLE

**⚠ AVVERTENZA!** Non tentare di avviare il tosaerba finché il manubrio non è stato bloccato in una delle tre posizioni operative predefinite: POSIZIONE OPERATIVA SUPERIORE, POSIZIONE OPERATIVA INTERMEDIA o POSIZIONE OPERATIVA INFERIORE.

1. Tenere premuta la leva di regolazione rapida per sbloccare il manubrio dalla POSIZIONE CHIUSA (Fig. B1).

B1-1	Leva di regolazione rapida
------	----------------------------

2. Sollevare il manubrio dalla posizione ripiegata, quindi rilasciare la leva. Ruotare delicatamente il manubrio verso l'alto fino a sentire il perno che scatta in una delle diverse posizioni, come illustrato in Fig. B2.

B2-1	Posizione chiusa	B2-2	Posizione di installazione/rimozione del contenitore dell'erba
B2-3	Posizione operativa superiore	B2-4	Posizione operativa intermedia
B2-5	Posizione operativa inferiore		

3. Estendere completamente i binari laterali e chiudere saldamente il morsetto di bloccaggio del manubrio (Fig. B3).

**NOTA:** Affinché il motore possa essere avviato devono essere soddisfatte le seguenti condizioni:

- I binari laterali sono completamente estesi.
- Il morsetto di bloccaggio del manubrio verde è chiuso saldamente.
- Il manubrio è bloccato in una delle tre posizioni operative.

### ASSEMBLAGGIO DEL CONTENITORE DELL'ERBA (Fig. C1, C2, C3)

Prima di assemblare il contenitore dell'erba, ispezionarlo per assicurarsi che non sia danneggiato.

Assemblare il contenitore dell'erba come illustrato.

### LEVA DI SELEZIONE DELLA MODALITÀ (Fig. D)

Posizionare la leva di selezione della modalità in una delle cinque posizioni disponibili per ottenere i risultati desiderati.

La leva regola una porta scorrevole: la posizione "BAG" corrisponde all'apertura completa, la posizione "MULCH" alla chiusura completa.

La leva di selezione della modalità permette di adattare il tosaerba a diverse necessità.

**Tirare la leva di selezione della modalità** per estrarla dalla tacca e portarla nella posizione desiderata.

**NOTA:** Se si percepisce un'elevata resistenza durante lo spostamento laterale della leva, potrebbe essersi accumulata dell'erba sulla parte superiore della porta scorrevole. Rimuovere l'erba dalla parte inferiore del piatto di taglio dopo ogni utilizzo.

D-1	Porta scorrevole	D-2	Posizione "MULCH"
D-3	Leva di selezione della modalità	D-4	Posizione "BAG"

### POSIZIONE DELLA PORTA SCORREVOLE

La porta scorrevole può essere posizionata in diversi modi in base ai risultati desiderati. Per familiarizzarsi con il funzionamento della porta scorrevole, installare il contenitore dell'erba e iniziare il taglio con la leva di selezione della modalità in posizione "BAG". Controllare l'aspetto del prato. Portando la leva verso la posizione "MULCH", una maggiore quantità di erba verrà scaricata sul prato. Regolare la posizione della leva di selezione della modalità fino a ottenere il risultato desiderato. È anche possibile selezionare una posizione intermedia per ottenere un taglio pulito e fine.

- **Portando la leva di selezione della modalità in posizione "BAG"**, la porta scorrevole sarà completamente aperta e tutta l'erba tagliata verrà raccolta nel contenitore (Fig. E1).
- **Portando la leva di selezione della modalità in una delle posizioni intermedie**, la porta scorrevole sarà parzialmente chiusa. Parte dell'erba tagliata verrà raccolta nel contenitore, parte verrà triturata e scaricata sul terreno (Fig. E2).
- **Portando la leva di selezione della modalità in posizione "MULCH"**, la porta scorrevole sarà completamente chiusa. Tutta l'erba tagliata verrà triturata finemente e scaricata sul terreno (Fig. E3).

### SCARICAMENTO LATERALE

#### Installazione/rimozione dello scivolo di scarico laterale (venduto separatamente)

**NOTA:** Assicurarsi che la parte inferiore del piatto di taglio sia pulita prima di usare lo scivolo di scarico laterale.

- Rimuovere il contenitore dell'erba e portare la leva di selezione della modalità in posizione "BAG".
- Installare lo scivolo di scarico laterale come illustrato in Fig. F.

### SOLO RACCOLTA

#### Installazione/rimozione del contenitore dell'erba

**⚠ AVVERTENZA!** In condizioni d'uso normali, il materiale del contenitore dell'erba è soggetto a usura. Per ridurre il rischio di lesioni, ispezionare frequentemente

il contenitore dell'erba e sostituirlo se presenta segni di usura o deterioramento. Usare esclusivamente contenitori per l'erba progettati per questo tosaerba.

**NOTA:** Assicurarsi che la parte inferiore del piatto di taglio sia pulita prima di usare il contenitore dell'erba.

- Rimuovere lo scivolo di scarico laterale e portare la leva di selezione della modalità in posizione "BAG".
- Installare il contenitore dell'erba come illustrato in Fig. G.

### SOLO PACCIAMATURA (Fig. H)

- Rimuovere il contenitore dell'erba.
- Rilasciare lo sportello dello scarico posteriore.
- Portare la leva di selezione della modalità in posizione "MULCH".

### IBRIDO RACCOLTA/PACCIAMATURA (Fig. J)

- Installare il contenitore dell'erba.
- Portare la leva di selezione della modalità in una delle tre posizioni intermedie.

**NOTA:** Più la leva viene spostata verso la posizione "MULCH", maggiore sarà la quantità di erba scaricata sul prato.

Più la leva viene spostata verso la posizione "BAG", maggiore sarà la quantità di erba raccolta nel contenitore dell'erba.

### REGOLAZIONE DELL'ALTEZZA DI TAGLIO (Fig. K)

Tenere i piedi distanti dal tosaerba durante la regolazione dell'altezza di taglio.

Il tosaerba è dotato di 8 altezze di taglio, da 25 mm a 105 mm. Un simbolo indica l'altezza di taglio selezionata. Selezionare l'altezza di taglio più adatta al tipo e alle condizioni dell'erba.

1. Arrestare il tosaerba e attendere che la lama sia completamente ferma.
2. Rimuovere il gruppo batteria.
3. Tirare la leva di regolazione dell'altezza di taglio per estrarla dalla tacca e portarla nella posizione desiderata.

**NOTA:** Per evitare di sovraccaricare il motore, non impostare un'altezza di taglio troppo bassa se l'erba è alta. Se il motore inizia a rallentare, aumentare l'altezza di taglio.

## UTILIZZO

Rimuovere il gruppo batteria dall'apparecchio prima di pulirlo, regolarlo o assemblare i componenti e quando non è in uso. La rimozione del gruppo batteria impedisce l'avvio accidentale e il conseguente rischio di lesioni gravi.

## INSTALLAZIONE/RIMOZIONE DEL GRUPPO BATTERIA (Fig. L)

Usare esclusivamente i gruppi batteria e i caricabatteria EGO elencati in Fig. A3.

Consultare il manuale dei gruppi batteria e del caricabatteria per le istruzioni dettagliate.

### Ricaricare completamente la batteria prima del primo utilizzo

1. Aprire il coperchio del vano batteria sollevando la parte anteriore del coperchio.
2. **Installazione:** Allineare i rilievi sul gruppo batteria con le scanalature di fissaggio e premere il gruppo batteria fino a udire un "clic".
3. **Rimozione:** Premere il pulsante di rilascio della batteria ed estrarre il gruppo batteria.
4. Chiudere il coperchio del vano batteria.

**NOTA:** accertarsi che il dispositivo di chiusura sul tosaerba si incastri in posizione e che il gruppo batteria sia fissato al tosaerba prima di iniziare il lavoro.

### SELEZIONE DELLA VELOCITÀ DELLA LAMA (Fig. M)

- **La velocità 2** corrisponde a un'alta velocità di rotazione della lama e aumenta la forza di aspirazione e le prestazioni di taglio.
- **La velocità 1** offre il migliore compromesso tra prestazioni e autonomia.
- **La velocità ECO** è ideale per ridurre la rumorosità e ottenere la massima autonomia del gruppo batteria.

**NOTA:** Non è possibile regolare la velocità della lama durante l'uso. La modifica avrà effetto solo dopo aver arrestato e riavviato il motore.

Per selezionare la velocità **2**, **1** o **ECO**, premere ripetutamente il pulsante della velocità della lama.

**NOTA:** La velocità predefinita è la velocità **1**.

M-1	Indicatore della velocità della lama	M-2	Pulsante della velocità della lama
-----	--------------------------------------	-----	------------------------------------

## AVVIO/ARRESTO DEL TOSAERBA

Questo apparecchio può essere usato sotto la pioggia.

**AVVERTENZA!** L'uso del tosaerba può causare il lancio di oggetti estranei verso l'operatore o altre persone, con il rischio di lesioni gravi agli occhi. Indossare sempre occhiali di sicurezza durante l'uso, la regolazione o la riparazione del tosaerba.

**NOTA:** La lama continua a ruotare per qualche secondo dopo l'arresto del tosaerba. Attendere che il motore/lama smetta di ruotare prima di riavviarlo. Non avviare e arrestare il tosaerba in rapida successione.

**AVVERTENZA!** Arrestare la lama se è necessario inclinare il tosaerba per attraversare superfici non erbose o durante il trasporto da/verso l'area di lavoro.

**AVVERTENZA!** Non inclinare il tosaerba durante l'avvio del motore, se non espressamente indicato. In tal caso, non inclinarlo più dello stretto necessario e sollevare solo la parte distante dall'operatore.

Prima dell'uso, ispezionare visivamente il tosaerba per verificare che la lama e il bullone della lama non siano usurati o danneggiati. Se la lama o il bullone sono usurati o danneggiati, sostituire sempre tutto il gruppo per mantenere il tosaerba bilanciato.

### Verificare che la lama non sia bloccata

- Per evitare il rischio di bloccaggio, mantenere la lama e le superfici della macchina pulite. Rimuovere eventuali residui di erba, foglie, sporcizia e altri accumuli di detriti prima e dopo ogni utilizzo.
- In caso di bloccaggio, arrestare il tosaerba e rimuovere il gruppo batteria, quindi rimuovere eventuali accumuli di erba e foglie sopra o intorno all'albero di trasmissione e alla ventola del motore (non usare acqua). Pulire il tosaerba con un panno umido.

**ATTENZIONE!** Non tentare di manomettere il pulsante di accensione o la barra di avvio della lama.

**NOTA:** Il motore non può essere avviato se il manubrio non è bloccato in una delle tre posizioni operative.

### Avvio del tosaerba (Fig. N1, N2)

1. Inserire il gruppo batteria nel tosaerba e chiudere il coperchio del vano batteria.
2. Premere il pulsante di accensione per attivare il pannello di controllo; l'indicatore dello stato del tosaerba e l'indicatore della velocità della lama **1** si illumineranno.



3. Premere il pulsante della velocità della lama per selezionare la velocità desiderata.
4. Tenere premuto il pulsante di accensione.
5. Tenendo premuto il pulsante di accensione, tirare la barra di avvio della lama verso l'impugnatura e rilasciare il pulsante di accensione.

#### Arresto del tosaerba (Fig. N3)

1. Rilasciare completamente la barra di avvio della lama.
2. Il freno elettrico del meccanismo di freno automatico arresterà la rotazione della lama entro 3 secondi dal rilascio della barra di avvio della lama.

#### SISTEMA DI AVANZAMENTO AUTOMATICO A VELOCITÀ VARIABILE (Fig. P)

Il tosaerba è dotato di un sistema di avanzamento automatico a velocità variabile. Il sistema di avanzamento automatico è indipendente dalla rotazione della lama.

#### Funzionamento del sistema di avanzamento automatico senza rotazione della lama

1. Premere il pulsante di accensione per attivare il pannello di controllo.
2. Ruotare leggermente il selettore della velocità di avanzamento automatico in avanti fino a udire un "clic", quindi premere le leve di avanzamento automatico. Sono presenti due leve di avanzamento automatico; è sufficiente premerne una.

**Per disattivare il sistema di avanzamento automatico,** rilasciare la leva di avanzamento automatico.

P-1	Selettore della velocità di avanzamento automatico	P-2	Leva di avanzamento automatico
-----	--	-----	--------------------------------

#### FANALI LED (Fig. Q)



**Per accendere i fanali,** premere il pulsante dei fanali. I fanali illumineranno l'area di fronte al tosaerba.

**Per spegnere i fanali,** premere nuovamente il pulsante dei fanali.

#### INDICATORE DELLO STATO DEL TOSAERBA (Fig. A2)

L'indicatore dello stato del tosaerba sul pannello di controllo segnala lo stato operativo del tosaerba.

Indicatore	Descrizione	Significato	Azione
	Verde fisso	Il tosaerba funziona correttamente.	Nessuna azione necessaria.
	Verde lampeggiante	I binari laterali non sono completamente estesi.	Arrestare il tosaerba e assicurarsi che i binari laterali siano completamente estesi.
		Il manubrio non è bloccato in posizione operativa.	Arrestare il tosaerba e assicurarsi che il manubrio sia bloccato in una delle tre posizioni operative.
	Rosso lampeggiante	La batteria è quasi scarica.	Arrestare il tosaerba e ricaricare il gruppo batteria.
	Arancione fisso	Il tosaerba si è surriscaldato.	Rilasciare la leva di avanzamento automatico e attendere che la temperatura del tosaerba scenda al di sotto di 80°C. Consultare la sezione " <b>PROTEZIONE CONTRO IL SURRISCALDAMENTO DEL TOSAERBA</b> " più avanti.

Indicatore	Descrizione	Significato	Azione
	Arancione lampeggiante	Il tosaerba è sovraccarico.	<ol style="list-style-type: none"> <li>1. Rimuovere il gruppo batteria, quindi rimuovere l'eventuale accumulo di erba sul piatto di taglio. Pulirlo se necessario.</li> <li>2. Rallentare la velocità di avanzamento del tosaerba durante il taglio.</li> <li>3. Aumentare l'altezza di taglio.</li> <li>4. Se il problema persiste, contattare il servizio clienti EGO.</li> </ol> Consultare la sezione " <b>PROTEZIONE CONTRO IL SOVRACCARICO DEL TOSAERBA</b> " più avanti.
	Verde e rosso lampeggianti alternativamente	Malfunzionamento dei componenti elettronici.	Contattare il servizio clienti EGO.

## PROTEZIONE CONTRO IL SURRISCALDAMENTO DEL TOSAERBA

Se la temperatura del tosaerba supera i 90°C durante l'uso, il circuito di protezione arresterà immediatamente il tosaerba per evitare che subisca danni.

L'indicatore dello stato del tosaerba si accenderà di arancione. Rilasciare la barra di avvio della lama e attendere che il tosaerba si raffreddi. Quando l'indicatore diventa verde è possibile riavviare il tosaerba.

## PROTEZIONE CONTRO IL SOVRACCARICO DEL TOSAERBA

Per evitare danni causati da condizioni di sovraccarico, non tentare di tagliare troppa erba in una sola volta. Rallentare la velocità di avanzamento o aumentare l'altezza di taglio.

Il tosaerba è dotato di un circuito di protezione integrato contro il sovraccarico. Se il tosaerba è sovraccarico, il motore si arresterà e l'indicatore di stato sul tosaerba lampeggerà di arancione.

## MANUTENZIONE

**AVVERTENZA!** Per evitare il rischio di lesioni gravi, arrestare il tosaerba, rimuovere il gruppo batteria e assicurarsi che tutte le parti mobili siano completamente ferme prima di pulire o trasportare il tosaerba.

**AVVERTENZA!** Sottoporre il tosaerba a una regolare manutenzione.

**AVVERTENZA!** Arrestare l'apparecchio, rimuovere il gruppo batteria e assicurarsi che le parti mobili siano completamente ferme dopo aver urtato un oggetto estraneo e prima di ispezionare e riparare l'apparecchio.

**AVVERTENZA!** Se l'apparecchio inizia a vibrare in modo anomalo, arrestarlo, rimuovere il gruppo batteria e assicurarsi che le parti mobili siano completamente ferme; quindi ispezionarlo immediatamente per assicurarsi che non sia danneggiato (in caso contrario, sostituire o riparare le parti danneggiate) e che nessun componente sia allentato (in caso contrario, serrarlo).

**AVVERTENZA!** Per la riparazione dell'apparecchio, usare esclusivamente parti di ricambio identiche. L'uso di altri ricambi comporta situazioni pericolose o il rischio di danni al prodotto. Per garantire sicurezza e affidabilità, tutte le operazioni di riparazione e sostituzione devono essere effettuate da un tecnico qualificato.

## PULIZIA DEL TOSAERBA

Pulire la parte inferiore del piatto di taglio dopo ogni utilizzo per evitare l'accumulo di erba tagliata, foglie, sporcizia e altri detriti.

Rimuovere eventuali accumuli di erba e foglie sopra o intorno all'albero motore e alla ventola del motore. Pulire il tosaerba con un panno umido.

## SOSTITUZIONE DEL SET DI LAME (Fig. R1, R2, R3)

**AVVERTENZA!** Rimuovere il gruppo batteria e il contenitore dell'erba.

**AVVERTENZA!** Indossare guanti protettivi.

**NOTA:** Pulire accuratamente l'area dell'albero di trasmissione e la parte inferiore del tosaerba prima di installare il set di lame.

1. Capovolgere il tosaerba.
2. Rimuovere/installare il gruppo lama con una chiave dinamometrica, aiutandosi con due aste metalliche come illustrato.
3. Il lato stampato della lama deve essere rivolto verso l'esterno.

#### TRASPORTO DEL TOSAERBA (Fig. S1, S2)

- Rimuovere il gruppo batteria dal tosaerba e riporlo in un luogo pulito, fresco e asciutto. Non conservarlo in prossimità di sostanze corrosive, ad esempio fertilizzante o sale.
- Svuotare il contenitore dell'erba prima di riporre il tosaerba.
- Attendere che il tosaerba si raffreddi prima di riporlo.
- Pulire il tosaerba e sottoporlo a manutenzione prima di riporlo.
- Conservare il tosaerba in uno spazio coperto e chiuso, fresco e asciutto, fuori dalla portata dei bambini.
- Non coprire il tosaerba con teli cerati. I teli cerati intrappolano l'umidità intorno al tosaerba, favorendo la formazione di ruggine e corrosioni.
- Il tosaerba può essere conservato in posizione verticale o orizzontale (Fig. S1, S2).

**AVVERTENZA!** Se il tosaerba si inclina quando è in posizione verticale può causare danni o lesioni. Stabilizzare sempre il tosaerba quando è in posizione verticale e tenerlo fuori dalla portata dei bambini. Se possibile, conservarlo in posizione piana.

#### PROTEZIONE DELL'AMBIENTE



Non smaltire gli apparecchi elettrici insieme ai rifiuti indifferenziati, ma portarli presso gli appositi punti di raccolta.

Rivolgersi alle autorità locali per informazioni sui sistemi di raccolta disponibili.

Se gli apparecchi elettrici vengono gettati in discarica, le sostanze pericolose che contengono possono infiltrarsi nella falda freatica ed entrare nella catena alimentare, con un effetto nocivo sulla salute e il benessere.

IT

## RISOLUZIONE DEI PROBLEMI

IT

PROBLEMA	CAUSA	SOLUZIONE
Il tosaerba o la funzione di avanzamento automatico non si avvia.	<ul style="list-style-type: none"> <li>Il gruppo batteria è scarico.</li> </ul>	<ul style="list-style-type: none"> <li>Ricaricare il gruppo batteria.</li> </ul>
	<ul style="list-style-type: none"> <li>Il gruppo batteria non è installato correttamente nel vano batteria.</li> </ul>	<ul style="list-style-type: none"> <li>Inserire il gruppo batteria nel vano batteria fino a udire un "clic".</li> </ul>
	<ul style="list-style-type: none"> <li>Il manubrio non è bloccato in posizione operativa e l'indicatore dello stato del tosaerba lampeggia di verde.</li> </ul>	<ul style="list-style-type: none"> <li>Arrestare il tosaerba e assicurarsi che il manubrio sia bloccato in una delle posizioni operative.</li> </ul>
	<ul style="list-style-type: none"> <li>Il piatto di taglio è ostruito da erba e detriti.</li> </ul>	<ul style="list-style-type: none"> <li>Pulire il piatto di taglio e assicurarsi che le lame si muovano liberamente.</li> </ul>
Il tosaerba non taglia in modo uniforme.	<ul style="list-style-type: none"> <li>Le lame sono smussate.</li> </ul>	<ul style="list-style-type: none"> <li>Affilare o sostituire il set di lame.</li> </ul>
	<ul style="list-style-type: none"> <li>L'altezza di taglio non è adeguata.</li> </ul>	<ul style="list-style-type: none"> <li>Aumentare l'altezza del piatto di taglio.</li> </ul>
	<ul style="list-style-type: none"> <li>Il set di lame non è installato correttamente.</li> </ul>	<ul style="list-style-type: none"> <li>Reinstallare il set di lame seguendo le istruzioni alla sezione "<b>SOSTITUZIONE DEL SET DI LAME</b>" di questo manuale.</li> </ul>
	<ul style="list-style-type: none"> <li>La velocità della lama non è adeguata.</li> </ul>	<ul style="list-style-type: none"> <li>Selezionare una velocità della lama adeguata.</li> </ul>
Il tosaerba non esegue una corretta pacciamatura.	<ul style="list-style-type: none"> <li>Sulla parte inferiore del piatto di taglio rimangono incollati residui di erba bagnata.</li> </ul>	<ul style="list-style-type: none"> <li>Attendere che l'erba si asciughi prima di tagliarla.</li> </ul>
	<ul style="list-style-type: none"> <li>Il tosaerba è regolato per tagliare troppa erba in una sola passata.</li> </ul>	<ul style="list-style-type: none"> <li>Aumentare l'altezza di taglio.</li> </ul>
	<ul style="list-style-type: none"> <li>La velocità della lama non è adeguata.</li> </ul>	<ul style="list-style-type: none"> <li>Ridurre la velocità della lama.</li> </ul>

PROBLEMA	CAUSA	SOLUZIONE
Il tosaerba si arresta improvvisamente durante l'uso.	<ul style="list-style-type: none"> <li>Il gruppo batteria è scarico.</li> </ul>	<ul style="list-style-type: none"> <li>Ricaricare il gruppo batteria.</li> </ul>
	<ul style="list-style-type: none"> <li>Il tosaerba è sovraccarico e l'indicatore dello stato del tosaerba lampeggia di arancione.</li> </ul>	<ul style="list-style-type: none"> <li>Controllare se sul piatto di taglio sono presenti accumuli di erba e pulirlo se necessario. Aumentare l'altezza di taglio o rallentare l'avanzamento.</li> </ul>
	<ul style="list-style-type: none"> <li>Il piatto di taglio è ostruito da erba e detriti.</li> </ul>	<ul style="list-style-type: none"> <li>Pulire il piatto di taglio. Aumentare l'altezza di taglio e/o ridurre la quantità di erba tagliata.</li> </ul>
	<ul style="list-style-type: none"> <li>La temperatura del gruppo batteria o dei circuiti elettronici è troppo elevata. Se il gruppo batteria è surriscaldato, l'indicatore dello stato del tosaerba si spegne. Se il tosaerba è surriscaldato, l'indicatore dello stato del tosaerba rimane acceso di arancione.</li> </ul>	<ul style="list-style-type: none"> <li>Attendere che il gruppo batteria e il tosaerba si raffreddino.</li> </ul>
	<ul style="list-style-type: none"> <li>La velocità della lama non è adeguata.</li> </ul>	<ul style="list-style-type: none"> <li>Ridurre la velocità della lama.</li> </ul>
	<ul style="list-style-type: none"> <li>Malfunzionamento dei componenti elettronici; l'indicatore dello stato del tosaerba lampeggia alternativamente di rosso e di verde.</li> </ul>	<ul style="list-style-type: none"> <li>Contattare il centro di assistenza EGO.</li> </ul>
Vibrazioni eccessive.	<ul style="list-style-type: none"> <li>Il set di lame è allentato.</li> </ul>	<ul style="list-style-type: none"> <li>Serrare il bullone della lama.</li> </ul>
	<ul style="list-style-type: none"> <li>Il set di lame non è bilanciato.</li> </ul>	<ul style="list-style-type: none"> <li>Contattare il centro di assistenza EGO.</li> </ul>
	<ul style="list-style-type: none"> <li>La lama è piegata.</li> </ul>	<ul style="list-style-type: none"> <li>Sostituire la lama.</li> </ul>
	<ul style="list-style-type: none"> <li>L'albero motore è piegato.</li> </ul>	<ul style="list-style-type: none"> <li>Contattare il centro di assistenza EGO.</li> </ul>
	<ul style="list-style-type: none"> <li>Il tosaerba è regolato per tagliare troppa erba in una sola passata.</li> </ul>	<ul style="list-style-type: none"> <li>Aumentare l'altezza di taglio.</li> </ul>
	<ul style="list-style-type: none"> <li>La velocità della lama non è adeguata.</li> </ul>	<ul style="list-style-type: none"> <li>Ridurre la velocità della lama.</li> </ul>
Il motore funziona ma il set di lame non taglia l'erba.	<ul style="list-style-type: none"> <li>Il set di lame non è stato serrato con la coppia di serraggio raccomandata.</li> </ul>	<ul style="list-style-type: none"> <li>Serrare il set di lame. La coppia di serraggio raccomandata per il bullone della lama è 50-60 Nm.</li> </ul>
La leva di selezione della modalità è difficile da spostare.	<ul style="list-style-type: none"> <li>Sulla porta scorrevole si è accumulata una quantità eccessiva di residui di erba.</li> </ul>	<ul style="list-style-type: none"> <li>Rimuovere l'erba dalla parte inferiore del piatto di taglio dopo ogni utilizzo.</li> </ul>

## GARANZIA

### CONDIZIONI DELLA GARANZIA EGO

Visitare il sito web [egopowerplus.eu](http://egopowerplus.eu) per consultare le condizioni complete della garanzia EGO.

## LEES ALLE INSTRUCTIES!

**Beoogd gebruik:** Het product is bedoeld voor handmatig maaien van gras:

- Alleen gebruiken voor het maaien van droog gras. Maai geen nat gras.
- Gebruik het product niet voor andere doeleinden.

**⚠ WAARSCHUWING:** Lees en begrijp alle veiligheidsinstructies die in deze gebruiksaanwijzing staan vermeld, waaronder alle veiligheidssymbolen zoals "**GEVAAR**", "**WAARSCHUWING**" en "**OPGELET**" voordat u deze machine in gebruik neemt. Het negeren van onderstaande instructies kan leiden tot een elektrische schok, brand en/of ernstig persoonlijk letsel.

NL

## VEILIGHEIDSSYMBOLEN



Veiligheidswaarschuwing



Draag altijd gehoorbescherming, een veiligheidsbril met zijkleren en een gelaatsscherm als u dit product gebruikt.



Pas op voor weggeslingerde voorwerpen - houd omstanders uit de buurt.



Houd uw voeten uit de buurt



Gewaarborgd geluidsvermogensniveau.



Dit product is in overeenstemming met de toepasselijke richtlijnen van het VK.

IPX4 Bescherming tegen opspattend water

mm Millimeter

⚡ Gelijkstroom



De gebruiker dient de gebruiksaanwijzing voor het gebruik van dit product te lezen en te begrijpen om risico op letsel te beperken.



Apparaat uitschakelen en accupack ontkoppelen (of schakel het apparaat uit) voordat u instellingen uitvoert of het apparaat reinigt.



Houd handen en voeten uit de buurt van de messen



Kijk niet in de lamp.



Dit product is in overeenstemming met de EG-richtlijnen.



Gooi elektrisch afval niet via het huishoudelijk afval weg. Breng het naar een geautoriseerd recyclingbedrijf.

V Volt

cm Centimeter

kg Kilogram

## SPECIFICATIES

Spanning	56 V	
Messnelheidsmodus	2	
	1	
	ECO	
Maaihogte standen	8	
Maaihogte instellingen	25 mm/33 mm/43 mm/ 54 mm/66 mm/79 mm/ 92 mm/105 mm	
Maaibreedte	55 cm	
Inhoud van de opvangzak	85 L	
Gewicht grasmaaier (met grasopvangzak en accu BA6720T)	37 kg	
Model messenset	AB2212D-E	
Aanbevolen bedrijfstemperatuur	0°C - 40°C	
Aanbevolen opbergtemperatuur	-20°C - 70°C	
Gemeten geluidsvermogen- niveau $L_{WA}$	95 dB(A) K=0,7 dB(A)	
Geluidsdruk niveau aan het oor van de bediener $L_{PA}$	83 dB(A) K=3 dB(A)	
Gegarandeerd geluids- vermogensniveau $L_{WA}$ (gemeten volgens 2000/14/EG)	96 dB(A)	
Trillingswaarde $a_{h,v}$ :	Linker handvat	1,35 m/s <sup>2</sup> K=1,5 m/s <sup>2</sup>
	Rechter handvat	1,35 m/s <sup>2</sup> K=1,5 m/s <sup>2</sup>

- De opgegeven totale vibratiewaarde is gemeten volgens de standaard testmethode en kan worden gebruikt om de machine met een andere machine te vergelijken.
- De opgegeven totale vibratiewaarde kan tevens worden gebruikt in een voorafgaande beoordeling op blootstelling.

**⚠ WAARSCHUWING:** De trillingsemisatie tijdens het werkelijk gebruik van de machine kan verschillen van de gebruikte machine. Om de gebruiker te beschermen dient de gebruiker tijdens het gebruik handschoenen en gehoorbescherming te dragen.

**⚠ WAARSCHUWING:** De veiligheidsmaatregelen ter bescherming van de bediener zijn gebaseerd zijn op een schatting van de blootstelling in de feitelijke gebruiksomstandigheden (rekening houdend met alle delen van de gebruikscyclus, zoals de tijd dat het gereedschap is uitgeschakeld en de tijd dat het stationair draait, naast de werkelijke gebruikstijd).

NL

## VERPAKKINGSLIJST (AFB. A1 & A2)

NAAM VAN HET ONDERDEEL	AANTAL
Grasmaaier	1
Opvangzak	1
Frame met grasopvangzak	1
Gebruiksaanwijzing	1

## BESCHRIJVING

### KEN UW GRASMAAIER (afb. A1 & A2)

- Handgreep
- Zijgeleider
- Vergrendelingsklem voor het handvat
- Achterklep
- Hefhendel
- Klep voor accupackvak
- Led-koplampen
- Maaiselkeuzeknop
- Voorwiel
- Maaihogte instelknop
- Maaidek
- Luchtinlaat
- Achterwiel
- Hendel voor de instelling
- Opvangzak
- Sleepscherm
- Mesrotatiehendel
- Schakelaar voor zelfaandrijving
- Rijsnelheidsregelaar

20. Messnelheidsmodus-knop
21. Stroomknop
22. LED-koplampen knop
23. LED-koplampen pictogram
24. LED-koplampen indicator
25. Grasmaaier statusindicator
26. Mes Pictogram
27. Messnelheidsmodus indicator
28. Maaierstatus pictogram

NL

## MONTAGE

**⚠ WAARSCHUWING:** Als er onderdelen beschadigd zijn of ontbreken, gebruik dit product niet totdat alle onderdelen vervangen of aanwezig zijn. Dit product gebruiken met beschadigde of ontbrekende onderdelen kan ernstig persoonlijk letsel veroorzaken.

**⚠ WAARSCHUWING:** Om het toevallig starten van de machine, dat ernstig persoonlijk letsel kan veroorzaken, te voorkomen, verwijder altijd het accupack uit de machine voordat u onderdelen monteert.

**⚠ WAARSCHUWING:** Probeer niet om deze machine aan te passen of accessoires te maken die niet voor gebruik met deze grasmachine zijn aanbevolen. Een dergelijke aanpassing of wijziging is verkeerd en kan leiden tot gevaar en een ernstig letsel.

### UITPAKKEN

- Haal alle accessoires uit de doos.
- Neem tegelijkertijd de voorkant van de maaier en de heffendel vast om de maaier voorzichtig omhoog en uit de doos te tillen.

### AANPASSEN VAN HET INKLAPBARE HANDVAT

**⚠ WAARSCHUWING:** Probeer de grasmaaier niet te starten totdat het handvat in één van de drie vooraf ingestelde bedieningsposities wordt vergrendeld: BOVENSTE BEDIENINGSPOSITIE, MIDDELSTE BEDIENINGSPOSITIE en ONDERSTE BEDIENINGSPOSITIE.

1. Druk de hendel voor de snelle instelling om hem uit de VERGRENDELDE OPSLAGPOSITIE te halen (afb. B1).

B1-1	Hendel voor de instelling
------	---------------------------

2. Til het handvat uit de opgevouwen positie en laat vervolgens de hendel los. Beweeg het handvat langzaam omhoog totdat u hoort en voelt hoe de pin in één van de volgende verschillende posities vastklikt zoals weergegeven in afb. B2.

B2-1	Vergrendelde opslagpositie	B2-2	Opvangzak bevestigings-/verwijderingspositie
B2-3	Bovenste bedieningspositie	B2-4	Middelste bedieningspositie
B2-5	Onderste bedieningspositie		

3. Trek de zijgeleiders helemaal uit en maak de handvat-vergrendelingsklem dicht (afb. B3).

**OPMERKING:** De motor kan niet worden gestart tenzij:

- De zijgeleiders geheel zijn uitgetrokken.
- De groene handvat-vergrendelingsklem veilig is gesloten.
- Het handvat vergrendeld is in één van de drie bedieningsposities.

### MONTAGE VAN DE OPVANGZAK (Afb. C1, C2, C3)

Controleer de grasopvangzak voor de montage om er zeker van te zijn dat deze niet is beschadigd.

Zet de grasopvangzak in elkaar zoals afgebeeld.

### MAAISELKEUZEKNOP (Afb. D)

Plaats de maaiselkeuze knop in een van de vijf posities om het gewenste maairesultaat te bereiken.

Een schuifluik kan met de knop worden aangepast van de volledig open positie "ZAK" naar de volledig gesloten positie "MULCH".

Door de maaiselkeuze knop aan te passen, kan aan verschillende maaiomstandigheden worden voldaan.

**Om de knop naar een andere positie te brengen,** trek de knop uit de vergrendeling en zet deze in de gewenste stand.

**OPMERKING:** Als u een hoge weerstand opmerkt wanneer u de maaiselkeuze knop van links naar rechts beweegt, kan er zich te veel gras bovenop het schuifluik hebben opgehoopt. Verwijder het gras onder het maaidek na elk gebruik.

D-1	Schuifluik	D-2	"MULCH" positie
D-3	Maaiselkeuze knop	D-4	"ZAK" positie



## POSITIE VAN SCHUIFLUIK

De positie van het schuifluik kan worden gewijzigd voor verschillende maaiprestaties. Om het verschil tussen de posities te leren, installeer een graszak en begint te maaien met de maaiselkeuzeknop helemaal in de "ZAK" positie. Controleer het uiterlijk van het gazon. Naarmate de knop naar de "MULCH" positie wordt bewogen, wordt er meer gras naar het gazon geretourneerd. Pas de maaiselkeuzeknop aan tot het gewenste resultaat is bereikt. De zak/mulch tussenliggende modus zorgt voor zuivere en fijne maaiprestaties.

- **Zet de maaiselkeuzeknop in de "ZAK" positie vast,** het schuifluik is volledig open zodat al het gemaaid gras in de zak terecht komt (Afb. E1).
- **Klem de maaiselkeuzeknop in de zak/mulchen tussenposities** en het schuifluik is gedeeltelijk gesloten. Een deel van het maaisel gaat in de zak, een ander deel wordt fijn gemulcht en naar de grond geleid (Afb. E2).
- **Zet de keuzeknop in de "MULCH" positie vast** en het schuifluik is volledig gesloten. Al het maaisel wordt fijn gemulcht en naar de grond geleid (Afb. E3).

## ZIJDELINGSE AFVOER

### Om de zijkoker te bevestigen/verwijderen (afzonderlijk verkrijgbaar)

**OPMERKING:** Zorg ervoor dat de onderkant van het maaidek schoon is voordat u de zijkoker gebruikt.

- Verwijder de graszak en zet de maaiselkeuzeknop in de "ZAK" positie.
- Installeer de zijkoker in de grasmaaier zoals weergegeven in Afb. F.

## VOLLEDIG IN DE ZAK

### Bevestigen/verwijderen van de opvangzak

**⚠ WAARSCHUWING:** Bij normaal gebruik is de grasopvangzak onderhevig aan slijtage. Om het risico op letsel te beperken, dient u de montage van de grasopvangzak regelmatig te controleren en deze te vervangen indien u slijtage of schade vaststelt. Gebruik uitsluitend opvangzakken die zijn gemaakt voor deze grasmaaier.

**OPMERKING:** Zorg ervoor dat de onderkant van het maaidek schoon is voordat u de graszak gebruikt.

- Verwijder de zijkoker en zet de maaiselkeuzeknop in de "ZAK" positie.
- Installeer de grasopvangzak in de grasmaaier zoals weergegeven in Afb. G.

## VOLLEDIG MULCHEN (Afb. H)

- Verwijder de graszak.
- Maak de achterklep los.
- Zet de maaiselkeuzeknop in de "MULCH" positie.

## TEGELIJK IN DE ZAK EN MULCHEN (Afb. J)

- Bevestig de graszak.
- Zet de maaiselkeuzeknop in een van de drie zak/mulchen tussenposities.

**OPMERKING:** Naarmate de maaiselkeuzeknop naar de "MULCH" positie wordt bewogen, wordt er meer gras naar het gazon geretourneerd.

Als de maaiselkeuzeknop naar de "ZAK" positie wordt bewogen, wordt er meer gras via de achterklep in de graszak afgevoerd.

## DE MAAIHOOGTE INSTELLEN (Afb. K)

Houd uw voeten uit de buurt van de afdekking terwijl u de maaihogte instelt.

De grasmaaier kan in 8 verschillende hoogtes tussen 25 mm en 105 mm worden ingesteld. Een markering geeft de geselecteerde maaihogte aan.

Kies de juiste maaihogte aan de hand van het soort te maaien gras en de toestand ervan.

1. Zet de grasmaaier uit en wacht totdat het mes tot een volledige stilstand is gekomen.
2. Verwijder het accupack.
3. Trek de hendel voor het instellen van de maaihogte uit de borgpen en zet deze in de gewenste positie.

**OPMERKING:** Om overbelasting van de motor te voorkomen, stel de maaihogte niet te laag in bij het maaien van hoog gras. Wanneer de motorsnelheid afneemt, verhoog de maaihogte.

## WERKING

Verwijder altijd het accupack uit het product wanneer u onderdelen monteert, aanpassingen uitvoert, het product reinigt of wanneer niet in gebruik. Het verwijderen van het accupack voorkomt een toevallige inschakeling dat ernstig persoonlijk letsel kan veroorzaken.

## HET ACCUPACK INSTALLEREN/VERWIJDEREN (Afb. L)

Gebruik alleen met de in Afb. A3 vermelde accupacks en opladers van EGO.

Raadpleeg de handleidingen van de bijbehorende accupacks en opladers voor meer informatie.

## Voor de eerste ingebruikname volledig opladen

1. Breng de klep van het accupackvak omhoog door de voorkant van de klep op te tillen.
2. **Om te bevestigen**, breng de geleiders van de accu overeen met de montagesleuven en druk het accupack naar beneden totdat u "klik" hoort.
3. **Om los te maken**, druk voor het verwijderen de accu-ontgrendelingsknop naar beneden en trek het accupack eruit (afb. J).
4. Sluit het deksel van het batterijvak.

**OPMERKING:** Zorg dat de vergrendeling op de grasmaaier op zijn plaats klikt en het accupack stevig aan het grasmaaier is vastgemaakt voordat u begint te maaien.

## DE SNELHEIDSMODUS VAN HET MES SELECTEREN (Afb. M)

- **Modus 2** is de hoge messnelheidsmodus voor hoge hefprestaties om de zuigkracht of snijprestaties te verbeteren.
- **Modus 1** is het beste evenwicht tussen prestaties en werkingstijd.
- **ECO-modus** biedt het laagste geluidsniveau en de langste gebruiksduur van uw accupack.

**OPMERKING:** De snelheid van het mes kan tijdens gebruik niet worden aangepast. De wijziging wordt pas van kracht nadat de motor is gestopt en opnieuw is gestart.

Kies tussen **modus 2, 1 of ECO** door achtereenvolgens op de messnelheidsmodus-knop te drukken.

**OPMERKING:** De standaard messnelheidsmodus is modus 1.

M-1	Messnelheidsindicator	M-2	Messnelheidsmodus-knop
-----	-----------------------	-----	------------------------

## STARTEN/STOPPEN VAN DE GRASMAAIER

Het product kan in de regen worden gebruikt.

**⚠ WAARSCHUWING:** De werking van elke grasmaaier kan leiden tot het rondslingeren van vreemde objecten die in uw of andermans ogen kunnen terechtkomen. Dit kan leiden tot ernstig oogletsel. Draag altijd een veiligheidsbril tijdens het bedienen van de grasmaaier of tijdens het uitvoeren van eventuele aanpassingen of reparaties op de grasmaaier.

**OPMERKING:** Het mes roteert nog enkele seconden nadat de grasmaaier is uitgeschakeld. Laat de motor/het mes eerst tot stilstand komen voordat u hem weer start. Start en stop de grasmaaier niet te vaak vlak achter elkaar.

**⚠ WAARSCHUWING:** Stop het mes als de grasmaaier gekanteld wordt voor transport over andere oppervlakten dan gras en als u de grasmaaier van en naar het gazon brengt waar u wilt maaien.

**⚠ WAARSCHUWING:** Kantel de grasmaaier niet wanneer u de motor inschakelt, behalve als de grasmaaier gekanteld moet worden om te starten. In dit geval dient u het gereedschap niet meer dan nodig te kantelen en alleen het gedeelte te kantelen, dat het verst weg is van de bediener.

Controleer voor gebruik altijd of het mes en de mesbout niet versleten of beschadigd zijn. Vervang versleten of beschadigde messen en moeren als set om de balans te behouden.

## Controleer op blokkering van het mes

- Om verstopping te voorkomen, houd het snijmes en het maaidek schoon. Verwijder gemaaid gras, bladeren, vuil en ander opgehoopt vuil voor en na elk gebruik.
- Wanneer er een blokkering optreedt, stop de grasmaaier, verwijder het accupack en verwijder vervolgens eventuele ophoping van gras en bladeren op of rond de aandrijfas en de motorventilator. Maak de grasmaaier schoon met een vochtige doek.

**OPGELET:** Probeer de werking van de aan/uit-knop en het draaien van het mes niet te omzeilen.

**OPMERKING:** De motor kan alleen worden gestart wanneer de hendel op een van de drie werkingsposities is vastgezet.

## De grasmaaier starten (Afb. N1 & N2)

1. Sluit het accupack aan op de grasmaaier en sluit de klep van het accupackvak.
2. Druk op de aan/uit-knop om het dashboard op te lichten en de grasmaaier-statusindicator en de messnelheidsindicator voor modus 1 branden.
3. Druk op de messnelheidsmodus-knop om de gewenste snelheid te selecteren.
4. Houd de aan/uit-knop ingedrukt.
5. Terwijl de aan/uit-knop is ingedrukt, trek de mesrotatiehendel naar u toe en laat de aan/uit-knop los.

### De grasmaaier stoppen (Afb. N3)

1. Laat de mesrotatiehendel volledig los.
2. De elektrische rem in het automatisch remmechanisme zal het draaien van het mes binnen 3 seconden na het loslaten van de mesrotatiehendel stoppen.

### VARIABLE SNELHEID VOOR HET ZELFAANGEDREVEN SYSTEEM (Afb. P)

De grasmaaier is voorzien van een zelfaandrijvingssysteem met variabele snelheid. Dit zelfaandrijvingssysteem werkt onafhankelijk van de mesrotatie.

### Het zelfaandrijvingssysteem zonder mesrotatie gebruiken

1. Druk op de aan/uit-knop om het dashboard te verlichten.
2. Draai de rijsnelheidsregelaar lichtjes naar voren tot u een klik hoort en druk de schakelaar voor zelfaandrijving vervolgens in. Er zijn twee schakelaars voor zelfaandrijving, druk op een van beide om de zelfaandrijvingsfunctie te starten.

Om het zelfaandrijvingssysteem uit te schakelen, laat de schakelaar voor zelfaandrijving los.

P-1	Rijsnelheidsregelaar	P-2	Schakelaar voor zelfaandrijving
-----	----------------------	-----	---------------------------------

### LED-KOPLAMPEN (Afb. Q)

Om de koplampen aan te zetten, druk op de LED-koplampen knop. De koplampen zorgen voor helder licht aan de voorzijde van de grasmaaier.

Om de koplampen uit te zetten, druk opnieuw op de knop.

NL

### GRASMAAIER-STATUSINDICATOREN (Afb. A2)

De grasmaaier-statusindicator op het dashboard geeft de werkstatus van de grasmaaier weer.

Indicator	Beschrijving	Betekenis	Handeling
	Continu groen	Grasmaaier werkt naar behoren.	Geen actie vereist.
	Knipperend groen	De zijgeleiders zijn niet volledig uitgetrokken.	Stop de grasmaaier en zorg ervoor dat de zijgeleidingen geheel zijn uitgetrokken.
		Het handvat is niet vergrendeld in een bedieningspositie.	Stop de grasmaaier en zorg ervoor dat de handgreep in een van de drie bedieningsposities vastzit.
	Knipperend rood	Laag accuniveau.	Stop de grasmaaier en laad het accupack op.
	Continu oranje	De grasmaaier is oververhit.	Laat de veiligheidshendel los en wacht totdat de temperatuur van de grasmaaier lager dan 80 °C is. Zie "BEVEILIGING TEGEN TE HOGE TEMPERATUUR VAN GRASMAAIER" hieronder.

Indicator	Beschrijving	Betekenis	Handeling
	Knipperend oranje	De grasmaaier is overbelast.	<ol style="list-style-type: none"> <li>1. Verwijder eerst het accupack en controleer of er gras onder het afdekking is opgehoopt. Maak indien nodig schoon. Ga trager tijdens het maaien.</li> <li>2. Verhoog de maaihoogte.</li> <li>3. Als de bovenstaande oplossingen niet helpen, neem contact op met de EGO-klantenservice.</li> </ol> <p>Zie "<b>BEVEILIGING TEGEN OVERBELASTING VAN GRASMAAIER</b>" hieronder.</p>
	Rood/groen afwisselend knipperend	Fout in elektronica van de grasmaaier.	Neem contact op met de klantenservice van EGO.

## BEVEILIGING TEGEN TE HOGE TEMPERatuur VAN GRASMAAIER

Als de temperatuur van de grasmaaier tijdens de werking hoger dan 90 °C is, zal de temperatuurveiliging de grasmaaier uitschakelen om schade door oververhitting te voorkomen.

De grasmaaier-statusindicator brandt continu oranje. Laat de mesrotatiehendel los en wacht totdat de oververhitte maaier is afgekoeld en de statusindicator groen wordt. Schakel de grasmaaier vervolgens opnieuw in.

## BEVEILIGING TEGEN OVERBELASTING VAN GRASMAAIER

Om overbelasting te voorkomen, dient u niet te veel gras in één keer te maaien. Ga trager of verhoog de maaihoogte.

Uw grasmaaier heeft een geïntegreerde beveiliging tegen overbelasting. Als de grasmaaier overbelast raakt, gaat de motor uit en knippert de grasmaaier-statusindicator op het dashboard oranje.

## ONDERHOUD

**⚠ WAARSCHUWING:** Om ernstig persoonlijk letsel te voorkomen, dient u altijd de grasmaaier uit te schakelen, het accupack te verwijderen en ervoor te zorgen dat alle bewegende delen volledig tot stilstand zijn gekomen voordat u de grasmaaier reinigt, onderhoudt of vervoert.

**⚠ WAARSCHUWING:** Voer regelmatig onderhoud op de machine uit.

**⚠ WAARSCHUWING:** Stop de machine en verwijder het accupack om er zeker van te zijn dat alle bewegende delen volledig tot stilstand zijn gekomen na het raken van een vreemd voorwerp, om de machine te inspecteren op schade en reparaties uit te voeren voordat u de machine opnieuw start en gebruikt.

**⚠ WAARSCHUWING:** Stop de machine en verwijder het accupack om te controleren of alle bewegende delen volledig tot stilstand zijn gekomen, als de machine abnormaal begint te trillen en controleer de machine onmiddellijk op schade. Vervang of repareer beschadigde onderdelen en controleer op losse onderdelen en draai deze vast.

**⚠ WAARSCHUWING:** Gebruik tijdens reparaties uitsluitend identieke reserve-onderdelen. Het gebruik van andere onderdelen kan gevaar opleveren of schade aan het product veroorzaken. Laat alle reparaties uitvoeren door een vakbekwame reparateur om een continue veiligheid en betrouwbaarheid te waarborgen.

## DE GRASMAAIER SCHOONMAKEN

De onderkant van de grasmaaierafdekking dient na elk gebruik te worden gereinigd aangezien gras, bladeren, verontreinigingen of andere rommel zich hier ophoopt.

Verwijder eventuele ophopingen van gras en bladeren op of rond de aandrijfas en de motorventilator. Maak de grasmaaier schoon met een vochtige doek.

### DE MESSENET VERVANGEN (Afb. R1, R2, R3)

**⚠ WAARSCHUWING:** Verwijder altijd het accupack en de grasopvangzak.

**⚠ WAARSCHUWING:** Draag altijd beschermende handschoenen.

**MEDEDELING:** Maak de aandrijfas en de onderkant van de machine grondig schoon voordat u de messenset monteert.

1. Zet de grasmaaier ondersteboven.
2. Verwijder/installeer het messenset met een momentsleutel en twee metalen staven als steun, zoals weergegeven.
3. De bedrukte zijde van het mes naar buiten gericht.

### DE GRASMAAIER OPBERGEN (Afb. S1 & S2)

- Verwijder het accupack uit de grasmaaier en bewaar het op een koele, droge en schone plek. Bewaar hem niet naast corrosieve stoffen, zoals kunstmest of zout.
- Leeg de grasopvangzak voor opslag.
- Laat de grasmaaier altijd afkoelen voordat u deze opbergt.
- Reiniging en onderhoud voor opslag.
- Bewaar de grasmaaier op een afgedekte, gesloten plek, waar het koel en droog is en die zich buiten het bereik van kinderen bevindt.
- Dek de grasmaaier niet af met een stevig plastic zeil. Plastic afdekkingen laten vocht rondom de grasmaaier niet ontsnappen, waardoor roest en corrosie kunnen ontstaan.
- De maaier kan plat of rechtop worden opgeborgen (Afb. S1 & S2).

**⚠ WAARSCHUWING:** Als de grasmaaier kantelt vanuit de rechtopstaande positie, kan dit leiden tot schade of persoonlijk letsel. Houd de grasmaaier altijd stabiel en buiten het bereik van kinderen als deze rechtop staat. Indien mogelijk dient u hem neer te leggen tijdens het opbergen.

### HET MILIEU BESCHERMEN



Voer elektrische apparaten niet via het huisvuil af, maar maak gebruik van de afzonderlijke inzamelputten.

Neem contact op met uw lokale overheid voor informatie over de beschikbare inzamelingsystemen.

Als elektrische apparaten op een vuilstort of vuilnisbelt terechtkomen, kunnen gevaarlijke stoffen in het grondwater lekken en in de voedselketen komen wat schadelijk is voor uw gezondheid en welzijn.

NL

## PROBLEEMOPLOSSING

NL

PROBLEEM	OORZAAK	OPLOSSING
De grasmaaier of zelfaandrijvingsfunctie start niet.	<ul style="list-style-type: none"> <li>■ Het accupack is leeg.</li> </ul>	<ul style="list-style-type: none"> <li>■ Laad het accupack op.</li> </ul>
	<ul style="list-style-type: none"> <li>■ Het accupack is niet goed in het accupackvak geplaatst.</li> </ul>	<ul style="list-style-type: none"> <li>■ Duw het accupack in het accupackvak totdat u een "klik" hoort.</li> </ul>
	<ul style="list-style-type: none"> <li>■ De handgreep zit niet vast in een werkingspositie en de grasmaaier-statusindicator knippert groen.</li> </ul>	<ul style="list-style-type: none"> <li>■ Stop de grasmaaier en zorg ervoor dat de handgreep in een van de werkingsposities vastzit.</li> </ul>
	<ul style="list-style-type: none"> <li>■ De grasmaaierafdekking is verstopt door gras en vuil.</li> </ul>	<ul style="list-style-type: none"> <li>■ Reinig de grasmaaierafdekking en controleer of de messenset vrij kan bewegen.</li> </ul>
De grasmaaier maait ongelijk.	<ul style="list-style-type: none"> <li>■ De messenset is bot.</li> </ul>	<ul style="list-style-type: none"> <li>■ Slijp of vervang de messenset.</li> </ul>
	<ul style="list-style-type: none"> <li>■ De maaihoogte is niet goed ingesteld.</li> </ul>	<ul style="list-style-type: none"> <li>■ Verplaats de hoogte van de afdekking naar een hogere instelling.</li> </ul>
	<ul style="list-style-type: none"> <li>■ De messenset is verkeerd geïnstalleerd.</li> </ul>	<ul style="list-style-type: none"> <li>■ Installeer de messenset opnieuw volgens de sectie "<b>DE MESSESET VERVANGEN</b>" in deze handleiding.</li> </ul>
	<ul style="list-style-type: none"> <li>■ De messnelheidsmodus is niet goed ingesteld.</li> </ul>	<ul style="list-style-type: none"> <li>■ Selecteer een geschikte messnelheidsmodus.</li> </ul>
De grasmaaier mulcht niet goed.	<ul style="list-style-type: none"> <li>■ Nat gemaaid gras blijft aan de onderkant van het dek plakken.</li> </ul>	<ul style="list-style-type: none"> <li>■ Wacht totdat het gras droog is voordat u het maait.</li> </ul>
	<ul style="list-style-type: none"> <li>■ De grasmaaier is zo ingesteld dat hij te veel gras in een keer moet maaien.</li> </ul>	<ul style="list-style-type: none"> <li>■ Beweeg de afdekking omhoog om een hogere maaihoogte in te stellen.</li> </ul>
	<ul style="list-style-type: none"> <li>■ De messnelheidsmodus is niet goed ingesteld.</li> </ul>	<ul style="list-style-type: none"> <li>■ Stel de messnelheid op een lagere instelling in.</li> </ul>

PROBLEEM	OORZAAK	OPLOSSING
De grasmaaier stopt onverwachts tijdens het maaien.	<ul style="list-style-type: none"> <li>■ Het accupack is leeg.</li> </ul>	<ul style="list-style-type: none"> <li>■ Laad het accupack op.</li> </ul>
	<ul style="list-style-type: none"> <li>■ De grasmaaier is overbelast en de grasmaaier-statusindicator knippert oranje.</li> </ul>	<ul style="list-style-type: none"> <li>■ Controleer of er zich gras onder de afdekking heeft opgehoopt en maak het indien nodig schoon. Verhoog de maaihoogte of maai langzamer.</li> </ul>
	<ul style="list-style-type: none"> <li>■ Grasmaaierafdekking is verstopt door gras en vuil.</li> </ul>	<ul style="list-style-type: none"> <li>■ Reinig de grasmaaierafdekking. Verhoog de maaihoogte en/of maai een kleinere strook.</li> </ul>
	<ul style="list-style-type: none"> <li>■ Het accupack of het circuit van de grasmaaier is te warm. Als het accupack oververhit raakt, dooft de grasmaaier-statusindicator. Als de grasmaaier oververhit raakt, brandt de grasmaaier-statusindicator continu oranje.</li> </ul>	<ul style="list-style-type: none"> <li>■ Laat het accupack of de grasmaaier afkoelen.</li> </ul>
	<ul style="list-style-type: none"> <li>■ De messnelheidsmodus is niet goed ingesteld.</li> </ul>	<ul style="list-style-type: none"> <li>■ Stel de messnelheid op een lagere instelling in.</li> </ul>
	<ul style="list-style-type: none"> <li>■ Storing in de elektronica van de grasmaaier en de grasmaaier-statusindicator knippert afwisselend rood en groen.</li> </ul>	<ul style="list-style-type: none"> <li>■ Neem contact op met het EGO-servicecentrum.</li> </ul>
Er is sprake van excessieve trillingen.	<ul style="list-style-type: none"> <li>■ De messenset zit los.</li> </ul>	<ul style="list-style-type: none"> <li>■ Draai de bouten van het mes vast.</li> </ul>
	<ul style="list-style-type: none"> <li>■ De messenset is niet in balans.</li> </ul>	<ul style="list-style-type: none"> <li>■ Neem contact op met het EGO-servicecentrum.</li> </ul>
	<ul style="list-style-type: none"> <li>■ Het mes is verbogen.</li> </ul>	<ul style="list-style-type: none"> <li>■ Vervang het mes.</li> </ul>
	<ul style="list-style-type: none"> <li>■ De motoras is verbogen.</li> </ul>	<ul style="list-style-type: none"> <li>■ Neem contact op met het EGO-servicecentrum.</li> </ul>
	<ul style="list-style-type: none"> <li>■ De grasmaaier is zo ingesteld dat hij te veel gras in een keer moet maaien.</li> </ul>	<ul style="list-style-type: none"> <li>■ Beweeg de afdekking omhoog om een hogere maaihoogte in te stellen.</li> </ul>
	<ul style="list-style-type: none"> <li>■ De messnelheidsmodus is niet goed ingesteld.</li> </ul>	<ul style="list-style-type: none"> <li>■ Stel de snelheid van het mes in op een lagere instelling.</li> </ul>
De motor werkt maar de messenset maait het gras niet	<ul style="list-style-type: none"> <li>■ De bout van de messenset is niet tot het vereiste aandraaimoment vastgedraaid.</li> </ul>	<ul style="list-style-type: none"> <li>■ Draai de messenset opnieuw vast. Het aanbevolen aanhaalmoment voor de bout van het mes is 50-60 Nm.</li> </ul>
Moeilijk om de maaiselkeuzeknop van links naar rechts te bewegen.	<ul style="list-style-type: none"> <li>■ Er heeft zich te veel gemaaid gras opgehoopt bovenop het schuifluik.</li> </ul>	<ul style="list-style-type: none"> <li>■ Verwijder het gras van het maaidek na elk gebruik van het luik.</li> </ul>



## **GARANTIE**

### **EGO-GARANTIEBELEID**

Ga naar de website [egopowerplus.eu](https://egopowerplus.eu) voor de volledige algemene voorwaarden van het EGO-garantiebeleid.

**NL**

**80**

56 VOLT LITHIUM-ION ACCUMAAIER — LM2230E-SP



## LÆS ALLE VEJLEDNINGERNE!

**Tiltænkt formål:** Produktet er beregnet til manuel græsslåning:

- Produktet må kun bruges til klipning af tørt græs. Produktet må ikke klippe vådt græs.
- Produktet må ikke bruges til andre formål.

**⚠ ADVARSEL:** Sørg for at læse og forstå alle sikkerhedsanvisninger i denne brugsanvisning, herunder alle sikkerhedssymboler, såsom **"FARE"**, **"ADVARSEL"** og **"FORSIGTIG"**, før du bruger denne maskine. Hvis anvisningerne nedenfor ikke følges, kan det føre til elektrisk stød, brand og/eller alvorlig personskade.

## SIKKERHEDSSYMBOLER



Sikkerhedsadvarsel



Brug altid høreværn og beskyttelsesbriller eller sikkerhedsbriller med side skjolde og en fuld ansigtsskærm, når du betjener dette produkt.



Pas på slyngende genstande - hold andre personer på afstand.



Hold hænderne væk



Garanteret lydniveau.



Dette produkt er i overensstemmelse med lovgivningen i Storbritannien.

IPX4

Beskyttelse mod vandsprøjt

mm

Millimeter



Jævnstrøm (DC)



For at reducere risikoen for skader, skal brugeren læse og forstå brugsanvisningen, før dette produkt tages i brug.



Sluk apparatet og tag batteripakken ud (eller den afbrydende enhed), inden apparatet justeres eller rengøres.



Hold hænder og fødder væk fra klingerne



Undgå, at kikke ind i betjeningslampen.



Dette produkt er i overensstemmelse med gældende EU-direktiver.



Elektriske affaldsprodukter må ikke bortskaffes sammen med husholdningsaffald. Tag det til en godkendt genbrugsplads.

V

Volt

cm

Centimeter

kg

Kg

DK

## SPECIFIKATIONER

Spænding	56 V 	
Klinge­hastighed	2	
	1	
	Energisparefunktion (ECO)	
Klippe­højde­indstillinger	8	
Indstilling af klippe­højde	25 mm/33 mm/43 mm/ 54 mm/66 mm/79 mm/ 92 mm/105 mm	
Klippe­bredde	55 cm	
Græs­posens kapacitet	85 L	
Plæne­klipperens vægt (med græs­pose og batteri BA6720T)	37 kg	
Klingesæt­model	AB2212D-E	
Anbefalet drift­temperatur	0°C - 40°C	
Anbefalet opbe­varingstemperatur	-20°C - 70°C	
Målt lydeffekt niveau $L_{WA}$	95 dB(A) K=0,7 dB(A)	
Lydtryk ved brugerens øre $L_{PA}$	83 dB(A) K=3 dB(A)	
Garanteret lyd effekt­niveau $L_{WA}$ (målt i henhold til 2000/14/EF)	96 dB(A)	
Vibrations­værdi $a_{hV}$ :	Venstre håndtag	1,35 m/s <sup>2</sup> K=1,5 m/s <sup>2</sup>
	Højre håndtag	1,35 m/s <sup>2</sup> K=1,5 m/s <sup>2</sup>

- Den samlede erklærede vibrations­værdi er målt i overens­stemmelse med en standard test­metode, og den kan bruges til at sammen­ligne en maskine med en anden.
- Den samlede angivne vibrations­værdi kan også bruges ved en foreløbig vurdering af eksponeringen.

**⚠ ADVARSEL:** Vibrationsemissionen ved faktisk brug af maskinen kan afvige fra den angivne værdi, hvor maskinen bruges. For at beskytte brugeren, skal brugeren bruge handsker og høre­værn i de faktiske brugsforhold.

**⚠ ADVARSEL:** Tag de nødvendige sikkerhedsforanstaltninger i brug i henhold til, hvor meget brugeren udsættes i brugsforholdene, så brugeren beskyttes (sørg for at tage hele driften i betragtning, såsom hvornår værktøjet slukkes, og hvornår det kører i tomgang ud over driftstiden).

## LISTE OVER DELE I PAKKEN (FIG. A1 & A2)

NAVN PÅ DELEN	ANTAL
Plæneklipper	1
Græspose	1
Ramme til græsposen	1
Brugervejledning	1

## BESKRIVELSE

**GØR DIG BEKENDT MED DIN PLÆNEKLIPPER (Fig. A1 & A2)**

- Håndtag
- Sidestang
- Klemme til håndtag
- Låge til udstødningen på bagsiden
- Løftehåndtag
- Dæksel til batterirummet
- Forlygter
- Klipvalgknop
- Forhjul
- Knop til justering af klippe­højden
- Dæk
- Luftindtag
- Baghjul
- Håndtag til hurtig indstilling
- Græspose
- Bagskærm
- Håndtag til start af klingens
- Håndtag til den selv­kørende funktion
- Hastigheds­knop til den selv­kørende funktionen
- Knop til valg af klinge­hastigheden
- Tænd/sluk-knap
- Knop til LED-forlygten
- Ikon til LED-forlygten
- Indikator til LED-forlygten
- Plæneklipperens status­indikator
- Klinge-ikon

- 27. Indikator til klingehastigheden
- 28. Ikon til plæneklipperstatus

## SAMLING

**⚠ ADVARSEL:** Hvis der er dele, der er beskadigede eller mangler, anvendes apparatet ikke, før delene er udskiftet. Brug af dette produkt med beskadigede eller manglende dele kan medføre alvorlig personskade.

**⚠ ADVARSEL:** For at forebygge utilsigtet start, der kan forårsage alvorlige personskader, skal batteripakken altid tages ud af maskinen, når delene sættes på.

**⚠ ADVARSEL:** Forsøg ikke at ændre dette maskine eller fremstille tilbehør, der ikke anbefales til brug med denne plæneklipper. Enhver sådan ændring eller modifikation er misbrug og kan resultere i en farlig situation og føre til alvorlige personskader.

## UDPAKNING

- Tag alt tilbehør ud af kassen.
- Tag fat i plæneklipperen forende og løftehåndtaget og løft forsigtigt plæneklipperen op og ud af papkassen.

## SÅDAN INDSTILLES DET FOLDBARE HÅNDTAG

**⚠ ADVARSEL:** Plæneklipperen må ikke startes, før håndtaget er låst fast i en af de tre betjeningsindstillinger: ØVRE DRIFTSINDSTILLING, MIDTERSTE DRIFTSINDSTILLING og NEDRE DRIFTSINDSTILLING.

1. Hold håndtaget til hurtig indstilling nede for at løse håndtaget fra den LÅSTE OPBEVARINGSINDSTILLING (Fig. B1).

B1-1	Håndtag til hurtig indstilling
------	--------------------------------

2. Løft håndtaget fra sin foldede position, og slip det. Drej forsigtigt håndtaget opad, indtil du hører og mærker låsestiften låse sig fast i en af indstillingerne, som vist på fig. B2.

B2-1	Låst opbevaringsposition	B2-2	Position til fastgørelse/fjernelse af græsposen
B2-3	Øvre driftsindstilling	B2-4	Mellem driftsindstilling
B2-5	Nedre driftsindstilling		

3. Træk sideskinnerne helt ud, og luk låseklemmen til håndtaget (Fig. B3).

**BEMÆRK:** Motoren kan ikke startes, medmindre:

- Sideskinnerne er trukket helt ud.
- Den grønne låseklemme håndtag er lukket ordentligt.
- Håndtaget er låst fast i en af de tre driftsindstillinger.

## SÅDAN SÆTTES GRÆSPOSEN (Fig. C1, C2, C3)

Se græsposen efter for skader, før du sætter den på.

Sæt græsposen på, som vist på billedet.

## KLIPVALGKNOP (Fig. D)

Sæt klipvalgknoppen på en af de fem indstillinger for at få det ønskede klipperesultat.

Knoppen kan sætte på "POSE", som åbner skydelågen helt, og den kan sættes på "BIOKLIP", som lukker skydelågen helt.

Ved brug af klipvalgknoppen kan du opfylde forskellige klippebetingelser.

**For at flytte knoppen,** skal du trække den ud af rillen og sætte den på den ønskede indstilling.

**BEMÆRK:** Hvis det er svært at trykke klipvalgknoppen fra side til side, har der muligvis samlet sig for meget græs oven på skydelågen. Fjern græsset under plæneklipperdækket efter hver brug.

D-1	Skydelåge	D-2	"BIOKLIP" indstilling
D-3	Klipvalgknop	D-4	"POSE" indstilling

## SKYDELÅGENS INDSTILLING

Skydelågen kan indstilles, så du får forskellige klipperesultater. For at lære forskellen mellem de forskellige indstillinger, skal du sætte en græspose på plæneklipperen og sætte klipvalgknoppen på "POSE", før du klipper græsset. Se, hvordan græsset ser ud. Hvis knoppen sættes på "BIOKLIP", spredes mere af det klippede græs på plænen. Indstil klipvalgknoppen, indtil du får det ønskede resultat. Pose/bioklip-hybridindstillingen giver en ren og fin klipping.

- **Sørg for at klipvalgknoppen står på "POSE",** og at skydelågen er helt åben, så alt det klippede græs kommer ind i posen (Fig. E1).
- **Hvis klipvalgknoppen sættes på pose/bioklip hybrid-indstillingen,** lukkes skydelågen delvist. Noget af det klippede græs kommer ind i posen, og nogen af det spredes på græsplænen (Fig. E2).
- **Hvis klipvalgknoppen sættes på "BIOKLIP",** lukkes skydelågen helt. Alt det klippede græs spredes jævnt på græsplænen (Fig. E3).

DK

## SIDEUDSTØDNING

### Sådan monteres/afmonteres sideudstødningen (sælges separat)

**BEMÆRK:** Sørg for, at dækket er rent på undersiden, før du sætter sideudstødningen på.

- Tag græsposen af, og sæt klipvalgknoppen på "POSE".
- Sæt sideudstødningen på plæneklipperen som vist i Fig. F.

## BRUG AF POSEFUNKTIONEN

DK

### Sådan monteres/afmonteres græsposen

**⚠ ADVARSEL:** Græsposen slides ved normal brug. For at reducere risikoen for skader, skal græsposen regelmæssigt ses efter for skader, og skift evt. dele der viser tegn på slid eller forringelse. Brug kun græsposer, der er beregnet til denne plæneklipper.

**BEMÆRK:** Sørg for, at dækket er rent på undersiden, før du bruger græsposen.

- Fjern sideudstødningen, og sæt klipvalgknoppen på "POSE".
- Sæt græsposen på plæneklipperen som vist i Fig. G.

## BRUG AF BIOKLIP-FUNKTIONEN (Fig. H)

- Tag græsposen af.
- Løs lågen til udstødningen på bagenden.
- Sæt klipvalgknoppen på "BIOKLIP".

## POSE/BIOKLIP-HYBRID (Fig. J)

- Sæt græsposen på.
- Sæt klipvalgknoppen på en af de tre pose/bioklip-hybridindstillinger.

**BEMÆRK:** Hvis klipvalgknoppen sættes på "BIOKLIP", spredes mere græs på græsplænen.

Hvis klipvalgknoppen sættes på "POSE", kommer mere af græsset ud af udstødningen bag på plæneklipperen og ind i græsposen.

## JUSTERING AF KLIPPEHØJDEN (Fig. K)

Hold dine fødder fra dækket, når klippehøjden indstilles.

Apparatet kan indstilles til 8 klippehøjder, mellem 25 og 105 mm. Et mærke viser den valgte klippehøjde.

Vælg den rigtige klippehøjde i henhold til græsset type og forhold.

1. Sluk plæneklipperen, og vent indtil klingene er stoppet helt.
2. Fjern batteripakken.
3. Træk håndtaget til justering af klippehøjden ud af rillen, og sæt det på den ønskede indstilling.

**BEMÆRK:** For ikke at overbelaste motoren, skal du undgå at indstille klippehøjden for lavt, hvis du klipper højt græs. Hvis motorhastigheden begynder at aftage, skal du hæve klippehøjden.

## BETJENING

Fjern altid batteriet fra produktet, når du monterer dele, foretager justeringer, ved rengøring, eller når det ikke bruges. Fjernelse af batteripakken vil forhindre utilsigtet start, der kan forårsage alvorlig personskade.

## ISÆTTELSE/UDTAGNING AF BATTERIPAKKEN (Fig. L)

Produktet må kun bruges med EGO's batteripakker og opladere, der er anført i fig A3.

Du kan finde flere oplysninger i de tilhørende batteripakker og opladervejledninger.

## Fuld opladning før første brug

1. Åbn batterirummets dæksel, ved at løfte foran på dækslet.
2. **For at sætte batteriet i**, skal du sørge for at rillerne på batteriet passer med rillerne i batterirummet, og tryk batteriet ned, indtil du hører et "klik".
3. **For at tage batteriet ud**, skal du trykke på udløserknappen til batteriet, og træk batteriet ud.
4. Luk dækslet til batterirummet.

**BEMÆRK:** Sørg for at låsen på plæneklipperen låses på plads, og at batteripakken sidder ordentligt fast i plæneklipperen, inden den tages i brug.

## VALG AF KLINGEHASTIGHEDEN (Fig. M)

- På **indstilling 2** kører klingene på en høj hastighed for at forbedre sugekraften og klipningen.
- **Funktion 1** er den bedste balance mellem ydeevne og driftstid.
- **Energisparefunktionen** har det laveste støjniveau og den længste driftstid.

**BEMÆRK:** Klingehastigheden kan ikke justeres under drift. Ændringen træder først i kraft, når motoren stoppes og startes igen.

Vælg mellem **indstillingerne 2, 1 og Energispare-indstillingen (ECO)** ved at trykke gentagne gange på knappen til valg af Klingehastigheden.

**BEMÆRK:** Standard klingehastigheden er **1**.

M-1	Klingehastigheds-indikator	M-2	Knap til valg af klingehastigheden
-----	----------------------------	-----	------------------------------------

### SÅDAN STARTES/STOPPES PLÆNEKLIPPEREN

Dette produkt kan bruges i regn.

**⚠ ADVARSEL:** Alle plæneklippere kan ske at udstøde genstande, der kan ramme brugerens eller andres øjne, som kan føre til alvorlige øjenskader. Brug altid beskyttelsesbriller når plæneklipperen bruges, og hvis den skal justeres eller repareres.

**BEMÆRK:** Klingen bliver ved med at dreje rundt i et par sekunder efter apparatet slukkes. Lad motoren/klingen standse helt, inden apparatet startes igen. Plæneklipperen må ikke tændes umiddelbart efter den slukkes.

**⚠ ADVARSEL:** Stop klingen, hvis plæneklipperen skal vippes for at køre over andre overflader end græs, og når den flyttes til og fra området, der skal klippes.

**⚠ ADVARSEL:** Plæneklipperen må ikke vippes, når den kører, medmindre den skal vippes for at starte. I dette tilfælde må apparatet ikke vippes mere end absolut nødvendigt, og løft kun den del, der er væk fra brugeren.

Før plæneklipperen bruges, skal du altid se klingen og klingeboltene efter for slid og skader. Udskift slidte eller beskadigede klinger og bolte i sæt, så balancen bevares.

#### Se, om skæreklingen er blokeret

- For at undgå blokering, skal du holde klippeklingen og klippedækket rent. Fjern græs, blade, jord og andet ophobet skidt før og efter hver brug.
- Hvis der opstår en blokering, skal du stoppe plæneklipperen og tage batteripakken ud. Fjern derefter ophobningen af græs og blade på eller omkring drivakslen og motorventilatoren. Tør plæneklipperen ren med en fugtig klud.

**FORSIGTIGT:** Tænd/sluk-knappen og håndtaget til start af klingen skal altid bruges.

**BEMÆRK:** Motoren kan ikke startes, medmindre håndtaget er låst fast i en af de tre driftsindstillinger.

### Sådan startes plæneklipperen (Fig. N1 & N2)

1. Sæt batteripakken i plæneklipperen, og luk dækslet til batterirummet.
2. Tryk på tænd/sluk-knappen, hvorefter instrumentbrættet begynder at lyse, og plæneklipperens statusindikator - og indikatoren til klingehastigheden **1** lyser.
3. Tryk på knappen til klingehastigheden for at vælge den ønskede hastighed.
4. Hold tænd/sluk-knappen nede.
5. Når du trykker på tænd/sluk-knappen, skal du trække håndtaget til start af klingen mod håndtaget, og slippe tænd/sluk-knappen.

DK

### Sådan stoppes plæneklipperen (Fig. N3)

1. Slip håndtaget til start af klingen.
2. Den elektriske bremse i den automatiske bremsemekanisme stopper klingens inden for 3 sekunder efter håndtaget til start af klingen slippes.

### SELVKØRENDE SYSTEM MED JUSTERBAR HASTIGHED (Fig. P)

Plæneklipperen er udstyret med et selvkørende system, der kan køre med forskellige hastigheder. Dette selvkørende system afhænger ikke af, om klingen drejer.

### Sådan bruges det selvkørende system uden at klingen drejer

1. Tryk på tænd/sluk-knappen for at tænde lyset i instrumentbrættet.
2. Drej hastighedsknappen til den selvkørende funktion en smule fremad, indtil der kan høres et klik. Tryk derefter på håndtagene til den selvkørende funktion. Plæneklipperen har to håndtag til den selvkørende funktion. Tryk på en af dem for at starte den selvkørende funktionen.

**For at slå den selvkørende funktion fra,** skal du løsne håndtaget til den selvkørende funktion.

P-1	Hastighedsknop til den selvkørende funktionen	P-2	Håndtag til den selvkørende funktion
-----	---	-----	--------------------------------------

### LED-FORLYGTER (Fig. Q)

**For at tænde forlygterne,** skal du trykke på knappen til LED-forlygterne. Forlygterne giver et skarpt lys foran plæneklipperen.

**For at slukke forlygterne,** skal du trykke på knappen igen.

## PLÆNEKLIPPERENS STATUSINDIKATORER (Fig. A2)

Plæneklipperens statusindikator på instrumentbrættet viser plæneklipperens driftsstatus.

Indikator	Beskrivelse	Betydning	Handling
	Lyser grøn	Plæneklipper virker ordentligt.	Ikke påkrævet.
	Blinker grønt	Sidestængerne er ikke trukket helt ud.	Stop plæneklipperen og sørg for, at sideskinne er trukket helt ud.
		Håndtaget er ikke indstillet på en driftsindstilling.	Stop plæneklipperen og sørg for, at håndtaget er låst i en af de tre driftsindstillinger.
	Blinker rødt	Batteriet er lavt på strøm.	Stop plæneklipperen, og oplad batteriet.
	Lyser orange	Plæneklipperen er overophedet.	Slip sikkerhedsafbryderen, og vent indtil plæneklipperens temperatur falder til under 80 °C. Se afsnittene " <b>BESKYTTELSE MOD OVEROPHEDNING AF PLÆNEKLIPPEREN</b> " nedenfor.
	Blinker orange	Plæneklipperen er overbelastet.	<ol style="list-style-type: none"> <li>1. Tag batteripakken ud, og se derefter om græs has samlet sig under dækket. Rengør, hvis nødvendigt.</li> <li>2. Kør langsommere med plæneklipperen.</li> <li>3. Hæv klippehøjden.</li> <li>4. Hvis ovenstående løsninger ikke virker, bedes du kontakte EGO's servicecenter.</li> </ol> Se afsnittet " <b>BESKYTTELSE MOD OVERBELASTNING</b> " nedenfor.
	Blinker rødt/grønt skiftevis	Elektronikfejl i plæneklipperen.	Kontakt EGO's kundeservice.

### BESKYTTELSE MOD OVEROPHEDNING AF PLÆNEKLIPPEREN

Hvis plæneklipperens temperatur kommer over 90 °C under drift, slukker beskyttelsesfunktionen straks plæneklipperen, så den beskyttes mod overophedning.

Plæneklipperens statusindikator lyser orange. Slip håndtaget til start af klingens, og vent indtil den overophedede plæneklipper er kølet ned, og statusindikatoren bliver grøn. Herefter kan du starte plæneklipperen igen.

### BESKYTTELSE MOD OVERBELASTNING

For at forhindre skader på grund af overbelastning, skal du undgå at klippe for meget græs på én gang. Sænk farten eller hæv klippehøjden.

Din plæneklipper har en indbygget beskyttelsesfunktion mod overbelastning af kredsløbet. Hvis plæneklipperen overbelastes, stopper motoren og klippe-statusindikatoren på instrumentbrættet begynder at blinke orange.

## VEDLIGEHOLDELSE

**⚠ ADVARSEL:** For at undgå alvorlige personskader, skal du altid slukke plæneklipperen, tage batteripakken ud og sørge for at alle bevægelige dele er stoppet helt, før rengøring, vedligeholdelse eller transport af plæneklipperen.

**⚠ ADVARSEL:** Maskinen skal regelmæssigt vedligeholdes.

**⚠ ADVARSEL:** Hvis du rammer et fremmedlegeme, skal du stoppe maskinen og tag batteripakken ud, så du er sikker på at alle bevægelige dele er stoppet helt. Se derefter maskinen efter for skader og foretage reparationer, før maskinen tages i brug igen.

**⚠ ADVARSEL:** Hvis maskinen begynder at vibrere unormalt, skal du stoppe maskinen og tage batteripakken ud, så du er sikker på at alle bevægelige dele er stoppet helt. Se derefter maskinen efter for skader, og udsift eller reparer beskadigede dele. Kontroller også maskinen for løse dele og stram eventuelle løse dele.

**⚠ ADVARSEL:** Ved service må der kun bruges originale reservedele. Brug af andre reservedele kan medføre fare eller forårsage skader på produktet. For at sikre sikkerhed og pålidelighed, bør alle reparationer udføres af en kvalificeret servicetekniker.

### SÅDAN RENGØRES PLÆNEKLIPPEREN

Undersiden af plæneklipperdækket skal rengøres efter hver brug, da græs, blade, jord og andet snavs kan samle sig.

Fjern eventuelt ophobning af græs og blade på eller omkring drivakslen og motorfladen. Tør plæneklipperen ren med en fugtig klud.

### UDSKIFTNING AF KLINGEN (Fig. R1, R2, R3)

**⚠ ADVARSEL:** Fjern altid batteripakken og græsposen.

**⚠ ADVARSEL:** Brug altid beskyttelseshandsker.

**BEMÆRK:** Rengør området omkring drivakslen og undersiden af maskinen grundigt, før du sætter klingesættet på.

1. Vend plæneklipperen om på hovedet.
2. Klingesættet skal monteres/afmonteres med en momentnøgle og to metalstænger, som vist på billedet.
3. Siden på klingens med tryk på skal vende mod ydersiden.

### OPBEVARING AF PLÆNEKLIPPEREN (Fig. S1 & S2)

- Tag batteripakken ud af plæneklipperen, og opbevar den på et køligt, tørt og rent sted. Plæneklipperen må ikke opbevares ved siden af ætsende stoffer, såsom gødning og stensalt.
- Tøm græsposen, før plæneklipperen sættes til opbevaring.
- Sørg altid for at plæneklipperen køler ned, før den opbevares.
- Rengøring og vedligeholdelse før opbevaring.
- Plæneklipperen skal opbevares i et overdækket, lukket rum, som er koldt og tørt, og utilgængelig for børn.
- Plæneklipperen må ikke tildækkes af en solid plastiktildækning. En tæt plastiktildækning kan danne fugt omkring plæneklipperen, der forårsager rust og korrosion.
- Plæneklipperen kan opbevares fladt eller lodret (Fig. S1 & S2).

**⚠ ADVARSEL:** Hvis plæneklipperen vælter, når den står på hjøkkant, kan den beskadiges eller forårsage personskader. Plæneklipperen skal altid holdes stabil og utilgængelig for børn, når den står på hjøkkant. Læg plæneklipperen ned, når den skal opbevares, hvis muligt.

### BESKYTTELSE AF MILJØET



Elektriske apparater må ikke bortskaffes som usorteret kommunalt affald. De skal bortskaffes på genbrugspladser.

Kontakt de lokale myndigheder for oplysninger vedrørende mulige indsamlingsystemer.

Hvis elektriske apparater smides på lossepladsen eller affaldsdeponier, kan der sive giftige stoffer ned i grundvandet og komme ud i fødekæden og gøre skade på menneskers sundhed og velfærd.

DK

## FEJLFINDING

DK

PROBLEM	ÅRSAG	LØSNING
Plæneklipperen eller den selvkørende funktioner starter ikke.	<ul style="list-style-type: none"> <li>▪ Batteripakken er afladet.</li> </ul>	<ul style="list-style-type: none"> <li>▪ Oplad batteripakken.</li> </ul>
	<ul style="list-style-type: none"> <li>▪ Batteripakken er ikke sat rigtigt i batterirummet.</li> </ul>	<ul style="list-style-type: none"> <li>▪ Sæt batteripakken ind i batterirummet, indtil du hører et "klik".</li> </ul>
	<ul style="list-style-type: none"> <li>▪ Håndtaget er ikke låst i en driftsindstilling, og plæneklipperens statusindikator blinker grønt.</li> </ul>	<ul style="list-style-type: none"> <li>▪ Stop plæneklipperne og sørg for, at håndtaget er låst i en af driftsindstillinger.</li> </ul>
	<ul style="list-style-type: none"> <li>▪ Dækket er tilstoppet med græs og snavs.</li> </ul>	<ul style="list-style-type: none"> <li>▪ Rengør plæneklipperdækket, og sørg for at klingesættet kan dreje rundt uden modstand.</li> </ul>
Plæneklipperen klipper ujævnt.	<ul style="list-style-type: none"> <li>▪ Klingesættet er døv.</li> </ul>	<ul style="list-style-type: none"> <li>▪ Slib eller skift klingesættet.</li> </ul>
	<ul style="list-style-type: none"> <li>▪ Klippehøjden er ikke indstillet rigtigt.</li> </ul>	<ul style="list-style-type: none"> <li>▪ Sæt dækhøjden på en højere indstilling.</li> </ul>
	<ul style="list-style-type: none"> <li>▪ Klingesættet er sat forkert på.</li> </ul>	<ul style="list-style-type: none"> <li>▪ Sæt klingesættet på igen, som beskrevet i afsnittet "UDSKIFTNING AF KLINGESÆTTET" i denne brugsvejledning.</li> </ul>
	<ul style="list-style-type: none"> <li>▪ Klingehastigheden er indstillet forkert.</li> </ul>	<ul style="list-style-type: none"> <li>▪ Vælg en passende klingehastigheden.</li> </ul>
Plæneklipperen klipper ikke græsset ordentligt.	<ul style="list-style-type: none"> <li>▪ En samling af vådt græs sidder fast på undersiden af dækket.</li> </ul>	<ul style="list-style-type: none"> <li>▪ Vent med at slå græsset indtil det er tørt.</li> </ul>
	<ul style="list-style-type: none"> <li>▪ Plæneklipperen er indstillet til at klippe for meget græs på én gang.</li> </ul>	<ul style="list-style-type: none"> <li>▪ Hæv dækket til en højere klippehøjde.</li> </ul>
	<ul style="list-style-type: none"> <li>▪ Klingehastigheden er indstillet forkert.</li> </ul>	<ul style="list-style-type: none"> <li>▪ Sæt klingens hastighed på en lavere indstilling.</li> </ul>



PROBLEM	ÅRSAG	LØSNING
Plæneklipperen stopper pludselig, når den klipper.	<ul style="list-style-type: none"> <li>■ Batteripakken er afladet.</li> </ul>	<ul style="list-style-type: none"> <li>■ Oplad batteripakken.</li> </ul>
	<ul style="list-style-type: none"> <li>■ Plæneklipperen er overbelastet, og plæneklipperens statusindikator blinker orange.</li> </ul>	<ul style="list-style-type: none"> <li>■ Se, om græs har samlet sig under dækket, og rengør dækkets underside, hvis nødvendigt. Hæv klippehøjden, eller kør langsommere, når du slår græsset.</li> </ul>
	<ul style="list-style-type: none"> <li>■ Plæneklipperdækket er tilstoppet med græs og snavs.</li> </ul>	<ul style="list-style-type: none"> <li>■ Rengør plæneklipperdækket. Hæv klippehøjden, eller klip i smallere linjer.</li> </ul>
	<ul style="list-style-type: none"> <li>■ Batteripakken eller plæneklipperens kredsløb er for varmt. Hvis batteripakkerne er overophedet, slukker plæneklipperens statusindikator. Hvis plæneklipperen overophedes, lyser plæneklipperens statusindikator orange.</li> </ul>	<ul style="list-style-type: none"> <li>■ Lad batteripakken eller plæneklipperen køle ned.</li> </ul>
	<ul style="list-style-type: none"> <li>■ Klingehastigheden er indstillet forkert.</li> </ul>	<ul style="list-style-type: none"> <li>■ Sæt klingens hastighed på en lavere indstilling.</li> </ul>
	<ul style="list-style-type: none"> <li>■ Føjlen i plæneklipperens elektronik, og plæneklipperens statusindikator blinker skiftevis rød/grøn.</li> </ul>	<ul style="list-style-type: none"> <li>■ Kontakt EGO's servicecenter.</li> </ul>
Plæneklipper vibrerer meget.	<ul style="list-style-type: none"> <li>■ Klingesættet er løst.</li> </ul>	<ul style="list-style-type: none"> <li>■ Stramme boltene på klingene.</li> </ul>
	<ul style="list-style-type: none"> <li>■ Klingesættet er ubalanceret.</li> </ul>	<ul style="list-style-type: none"> <li>■ Kontakt EGO's servicecenter.</li> </ul>
	<ul style="list-style-type: none"> <li>■ Klingene er bøjet.</li> </ul>	<ul style="list-style-type: none"> <li>■ Skift klingene.</li> </ul>
	<ul style="list-style-type: none"> <li>■ Motorakslen er bøjet.</li> </ul>	<ul style="list-style-type: none"> <li>■ Kontakt EGO's servicecenter.</li> </ul>
	<ul style="list-style-type: none"> <li>■ Plæneklipperen er indstillet til at klippe for meget græs på én gang.</li> </ul>	<ul style="list-style-type: none"> <li>■ Hæv dækket til en højere klippehøjde.</li> </ul>
	<ul style="list-style-type: none"> <li>■ Klingehastigheden er indstillet forkert.</li> </ul>	<ul style="list-style-type: none"> <li>■ Sæt klingens hastighed på en lavere indstilling.</li> </ul>
Motoren kører, men klingesættet slår ikke græsset.	<ul style="list-style-type: none"> <li>■ Klingesættet er ikke spændt til det påkrævede moment.</li> </ul>	<ul style="list-style-type: none"> <li>■ Stram klingesættet igen. Det anbefalede drejningsmoment til klingeboltene er 50-60 Nm.</li> </ul>
Det er svært at trykke klipvalgknoppen fra side til side.	<ul style="list-style-type: none"> <li>■ For meget klippet græs har samlet sig oven på skydelågen.</li> </ul>	<ul style="list-style-type: none"> <li>■ Fjern græsset under plæneklipperdækket efter hver brug af lågen.</li> </ul>

**DK**

## GARANTI

### EGO GARANTI POLITIK

Besøg venligst hjemmesiden [egopowerplus.eu](http://egopowerplus.eu) for fuldstændige vilkår og betingelser for EGO's garantipolitik.

## LÄS IGENOM ALLA INSTRUKTIONER!

**Avsedd användning:** Produkten är avsedd för manuell gräsklippning:

- Använd endast för att klippa torrt gräs. Klipp inte vått gräs.
- Använd inte den för andra syften.

**⚠ VARNING:** Var noga med att läsa igenom och förstå alla säkerhetsinstruktioner i denna bruksanvisning, inklusive alla varningssymboler såsom **"FARA"**, **"VARNING"** och **"FÖRSIKTIGHE"** innan denna maskin används. Underlåtenhet att läsa alla instruktioner som listas nedan kan resultera i elektrisk stöt, brand och/eller allvarlig personskada.

## SÄKERHETSSYMBOLER

**SE**


Säkerhetslarm



Använd alltid hörselskydd, skyddsglasögon eller säkerhetsglasögon med sideskydd och en full ansiktsmask när denna produkt används.



Akta dig för ivägslungade objekt, håll åskådare på avstånd.



Håll undan händerna



Garanterad ljudeffektivå.

**UK  
CA**

Denna produkt uppfyller tillämpliga lagar i Storbritannien.

IPX4 Skydd mot stänkande vatten

mm Millimeter

≡ Likström



För att minska risker för skador måste användare läsa igenom och förstå bruksanvisningen innan denna produkt används.



Stäng av och ta bort löstagbara batteripaketet (eller avaktivera enheten) innan inställning eller rengöring.



Håll händer och fötter borta från knivarna



Stirra inte in i arbetslampan.



Denna produkt är i enlighet med gällande EG-direktiv.



Förbrukade elektriska produkter får inte kastas i hushållssoporna. Lämna in dem till en auktoriserad återvinningsstation.

V Volt

cm Centimeter

kg Kilogram

## SPECIFIKATIONER

Spänning	56 V	
Knivens hastighetsläge	2	
	1	
	ECO	
Klipphöjdslägen	8	
Inställning klipp höjd	25 mm/33 mm/43 mm/ 54 mm/ 66 mm/79 mm/ 92 mm/105 mm	
Klippbredd	55 cm	
Volym gräsuppsamlare	85 L	
Gräsklipparens vikt (med gräspåse och batteri BA6720T)	37 kg	
Knivsetmodell	AB2212D-E	
Rekommenderad drifttemperatur	0 °C - 40 °C	
Rekommenderad förvaringstemperatur	-20 °C - 70 °C	
Uppmätt ljudeffekt nivå $L_{WA}$	95 dB(A) K=0,7 dB(A)	
Ljudtrycksnivå vid operatörens öra $L_{PA}$	83 dB(A) K=3 dB(A)	
Garanterat ljud effektnivå $L_{WA}$ (mätt enligt 2000/14/EC)	96 dB(A)	
Värdering av vibration $a_h$ :	Vänster handtag	1,35 m/s <sup>2</sup> K=1,5 m/s <sup>2</sup>
	Höger handtag	1,35 m/s <sup>2</sup> K=1,5 m/s <sup>2</sup>

- Det deklarerade totala vibrationsvärdet har uppmätts i enlighet med en standardtestmetod och kan användas för att jämföra ett verktyg med ett annat.
- Det deklarerade totala vibrationsvärdet kan också användas i en preliminär utvärdering av exponeringen.

**⚠ VARNING:** Vibrationsutstrålningen under verklig användning av elverktyg kan skilja sig från det deklarerade värdet i vilken verktyget används. För att skydda användaren skall skyddshandskar och hörselskydd användas under faktiska användningsförhållandet.

**⚠ VARNING:** Behovet av att identifiera säkerhetsåtgärder för att skydda operatören som baseras på en uppskattning av exponeringen under de faktiska användningsförhållandena (med beaktande av alla delar av driftscykeln, t.ex. de tider då verktyget stängs av och när det körs på tomgång utöver utlösningstiden).

## PACKLISTA (BILD A1 OCH A2)

ARTIKELNAMN	KVANTITET
Gräsklippare	1
Grässäck	1
Gräsbehållarram	1
Bruksanvisning	1

SE

## BESKRIVNING

### LÄR KÄNNA DIN GRÄSKLIPPARE (Bild A1 och A2)

1. Handtag
2. Sidoskena
3. Låsklämma handtag
4. Bakre utkastarlucka
5. Lyfthandtag
6. Lock till batterifack
7. LED-strålkastare
8. Klämväljarknapp
9. Framhjul
10. INSTÄLLNINGSVRED KLIPPHÖJD
11. Däck
12. Luftintag
13. Bakhjul
14. Snabbjusteringsspak
15. Grässäck
16. Frihängande skydd
17. Reglage för knivrotation
18. Självdrivande systemets avtryckare
19. Hastighetskontrollerande ratt självdrivning
20. Knapp för knivhastighetsläge
21. Strömknapp
22. LED-strålkastarknapp
23. LED-strålkastare ikon
24. LED-strålkastarindikator
25. Statusindikator gräsklippare
26. Bladikon
27. Lagesindikator bladhastighet
28. Gräsklipparens statusikon

## MONTERING

**⚠ VARNING:** Om någon del är skadad eller saknas skall inte denna produkt användas innan delarna ersatts. Användning av denna produkt om den är skadad eller saknar delar kan resultera i allvarliga personskador.

**⚠ VARNING:** För att förhindra oavsiktlig start som kan orsaka allvarliga personskador skall alltid batteripaketet tas bort från verktyget innan delar monteras.

**⚠ VARNING:** Försök inte att modifiera denna produkt eller skapa tillbehör som inte rekommenderas för användning med denna gräsklippare. Alla sådana ändringar eller modifikationer är felaktig användning och resulterar i farliga förhållanden som kan leda till allvarliga skador.

### UPPACKNING

- Ta bort alla tillbehör från kartongen.
- Ta tag i framsidan av gräsklipparen och lyfthandtaget samtidigt för att försiktigt lyfta gräsklipparen upp och ut ur kartongen.

### INSTÄLLNING AV DET VIKBARA HANDTAGET

**⚠ VARNING:** Försök inte starta gräsklipparen förrän handtaget har låsts i ett av de tre förinställda arbetslägena: ÖVRE DRIFTSLÄGE, MELLAN DRIFTSLÄGE och NEDRE DRIFTSLÄGE.

1. Tryck på och håll kvar snabbinställningsspaken för att lossa handtaget från LÅST LAGRINGSPOSITION (bild B1).

B1-1	Snabbjusteringsspak
------	---------------------

2. Lyft upp handtaget från dess hopvikta position, släpp sedan spaken. Luta försiktigt handtaget uppåt tills du hör och känner att låspinnen aktiveras i en av följande olika positionerna såsom visas i bild B2.

B2-1	Låst förvaringsposition	B2-2	Position för montering/borttagning av gräsupsamlare
B2-3	Övre driftposition	B2-4	Mellersta driftposition
B2-5	Nedre driftposition		

3. Fäll ut sidoskenorna helt och lås handtagets låsklämmor igen (bild B3).

**NOTERA:** Motorn kan inte starta såvida inte:

- Sidoskenorna är helt utdragna.
- Båda gröna handtagsklämmorna är låsta.
- Handtaget är låst i en av driftpositionerna.

### MONTERING AV GRÄSSÄCKEN (Bild C1, C2, C3)

Kontrollera gräspåsen innan du monterar, för att se till att det inte finns några skador.

Sätt ihop gräspåsen enligt bilden.

### KLIPPVÄLJARVRED (Bild D)

Placera klippväjljaren i något av de fem lägena för att uppnå önskat klippresultat.

Vredet kan justera en glidlucka från helt öppet "BAG"-läge till helt stängt "MULCH"-läge.

Genom att justera klippväjljaren kan olika klippförhållanden uppfyllas.

**För att ändra vredet,** dra ut vredet från spärrhaken och placera den i önskad position.

**UPPMÄRKSAMMA:** Om ett högt motstånd märks när du flyttar klippvals-vredet från sida till sida, kan alltför mycket gräs ha byggts upp ovanpå glidluckan. Rensa bort gräset under klippdäcket efter varje användning.

D-1	Skjutlucka	D-2	"MULCH" position
D-3	Klämväljarknapp	D-4	"BAG" position

### GLIDLUCKSLÄGE

Glidluckan kan placeras för att ge olika klippresultat. För att lära dig skillnaden mellan positioner, installera en gräspåse och börja klippa med klippväjljarvredet hela vägen till "BAG"-läget. Kontrollera gräsmattans utseende. När ratten flyttas mot läget "MULCH" kommer mer gräs att återvinnas tillbaka till gräsmattan. Justera klippväjljaren tills önskat resultat uppnås. Hybridläget för påsar/mulching ger ett rent och fint snitt.

- **Klippväjljarvredet i "BAG" läge,** glidluckan är helt öppen, vilket gör att allt gräsklipp kommer in i påsen (bild E1).
- **Klippväjljarvredet i hybridlägen för påsar/mulching,** skjutdörren är delvis stängd. En del klipp kommer att hamna i påsen, och en del kommer att finfördelas fint och riktas mot marken (bild E2).
- **Klippväjljarvredet i "MULCH"-läget,** skjutdörren är helt stängd. Allt klipp kommer att finfördelas fint och riktas till marken (bild E3).

## SIDOUTKAST

### För att fästa/ta bort sidoutraststrännan (säljs separat)

**UPPMÄRKSAMMA:** Se till att däckets undersida är ren innan du använder sidoutraststrännan.

- Ta bort gräspåsen och ställ klippväjljaren i läge "BAG".
- Installera sidoutraststrännan i gräsklipparen som visas i bild F.

## FULL PÅSE

### För att fästa/ta bort gräspåsen

**⚠ VARNING:** Vid normal användning kommer uppsamlarens material att förslitas. För att minska risken för skador, inspektera behållarmontaget och byt om det finns tecken på slitage eller förslitning. Använd endast gräsuppsamlaren som tillverkats för denna gräsklippare.

**UPPMÄRKSAMMA:** Se till att däckets undersida är rent innan du använder gräspåsen.

- Ta bort sidoutraststrännan och ställ klippväjljarvredet i "BAG"-läget.
- Montera gräspåsen i gräsklipparen som visas i bild G.

## FULL MULCHING (Bild H)

- Ta bort gräspåsen.
- Lossa bakre utkastarluckan.
- Ställ in klippväjljaren i läget "MULCH".

## PÅSFYLLNING/MULCHNING HYBRID (Bild J)

- Fäst gräspåsen.
- Ställ in klippväjljarvredet i ett av de tre hybridlägena för påsfyllning/mulching.

**NOTERA:** När klippväjljaren flyttas mot läget "MULCH" kommer mer gräs att återvinnas tillbaka till gräsmattan.

När klippväjljaren flyttas mot "BAG"-läget kommer mer gräs att matas ut genom det bakre utloppet i grässäcken.

## INSTÄLLNINGSSPAK KLIPPHÖJD (Bild K)

Håll fötter undan från däckets när höjden ställs in.

Gräsklipparen kan ställas in på åtta olika klipphöjder mellan 25 mm och 105 mm. En markering anger den valda klipphöjden.

Välj korrekt klipphöjd enligt typ och förhållandet hos gräset som skall klippas.

1. Stäng av gräsklipparen och vänta tills klippkniven stannar helt.
2. Ta ut batteripaketet.

3. Dra den främre eller bakre klipphöjjusteringsspaken ut ur spärrhaken och ställ in den i önskat läge.

**NOTERA:** För att undvika överbelastning av motorn, undvik att ställa in klipphöjden för lågt i högt gräs. Om motorhastigheten börjar minska, höj klipphöjden.

## DRIFT

Ta alltid ut batteripaketet från produkten vid montering av delar, justeringar, rengöring eller när den inte ska användas. När batteripaketet tas ut förhindrar det oavsiktliga starter som kan orsaka allvarliga personskador.

## FASTSÄTTNING/BORTTAGNING AV BATTERIPAKETET (Bild L)

Använd endast med EGOs batteripaket och laddare som listas i bild A3.

Se motsvarande batteripaket och laddarmanualer för mer information.

## Ladda fullt innan första användning

1. Lyft upp batterifackets lock genom att lyfta framsidan av locket.
2. **Fästa**, rikta in batteriets räfflor mot öppningarna i monteringsöppningen och tryck ned batteripaketet tills du hör ett "klick".
3. **Fästa**, tryck in låsknappen för batteriet och dra sedan ut batteripaketet.
4. Stäng luckan till batterifacket.

**UPPMÄRKSAMMA:** Se till att haken på gräsklipparen snäpper på plats och att batteripaketet sitter fast i gräsklipparen innan arbetet påbörjas.

## VÄLJA KNIVENS HASTIGHETSLÄGE (Bild M)

- **Läge 2** är högt knivhastighetsläge för höga lyftprestanda för att förbättra sugkraften och klippprestanda.
- **Läge 1** är den bästa balansen mellan prestanda och körtid.
- **Läget ECO** ger den lägsta ljudnivån och den längsta körtiden från dina batteripaket.

**NOTERA:** Knivhastigheten kan inte justeras under drift. Ändringen träder i kraft först efter att motorn har stoppats och startat igen.

Välj mellan **läge 2**, **1** eller **ECO** genom att sekventiellt trycka på knappen för knivhastighetsläge.

SE

**NOTERA:** Standardläget för knivhastighet är 1.

M-1	Indikatorer bladhastighet	M-2	Knapp för knivhastighetsläge
-----	------------------------------	-----	---------------------------------

## STARTA/STOPPA GRÄSKLIPPAREN

Produkten kan användas i regn.

**⚠ VARNING:** Användning av något gräsklippare kan resultera i att främmande föremål kastas in i dina ögon vilket kan resultera i allvarliga ögonskador. Bär alltid skyddsglasögon när du använder gräsklipparen eller när du utför justeringar eller reparationer på gräsklipparen.

**UPPMÄRKSAMMA:** Kniven fortsätter att rotera i några sekunder efter det att gräsklipparen stängts av. Låt motorn/kniven slut rotera innan den "slås på" igen. Växla inte snabbt mellan på och av.

**⚠ VARNING:** Stoppa kniven om gräsklipparen ska lutas för transport när andra ytor än gräs korsas och när apparaten transporteras från ett område till ett annat som ska klippas.

**⚠ VARNING:** Tippa inte gräsklipparen när motorn startas, förutom om gräsklipparen måste tippas för att starta. I detta fall luta inte mer än nödvändigt och lyft endast den del som är längst bort från användaren.

Före användning, kontrollera alltid visuellt före användning att klingan och klingbulten inte är slitna eller skadade. Byt ut slitna eller skadade klippblad och bultar i set för att bibehålla balansen.

### Kontrollera om klippkniven är blockerad

- För att förhindra blockering, håll klippbladet och klippaggregatet rena. Ta bort gräsklipp, löv, smuts och allt annat skräp före och efter varje användning.
- När en blockering inträffar, stoppa gräsklipparen och ta bort batteriet, ta sedan bort all ansamling av gräs och löv på eller runt drivaxeln och motorfläkten. Torka rent gräsklipparen med en fuktig trasa.

**FÖRSIKTIGHET:** Försök inte åsidosätta driften av strömbrytaren och bladrotationsavtryckaren.

**NOTERA:** Motorn kan inte startas om inte handtaget är låst i ett av de tre driftlägena.

### För att starta gräsklipparen (Bild N1 och N2)

1. Fäst batteripaketet i gräsklipparen och stäng batterilocket.
2. Tryck på strömbrytaren för att belysa instrumentbrädan, och gräsklipparens statusindikator – knivhastighetsindikatorn för läge 1 tänds.

3. Tryck på lägesknappen för knivhastighet för att välja önskad hastighet.
4. Tryck på och håll kvar strömbrytaren.
5. Med strömbrytaren intryckt, dra i knivrotationsavtryckaren för att möta handtaget och släpp strömbrytaren.

### För att stoppa gräsklipparen (Bild N3)

1. Släpp knivens rotationsavtryckare helt.
2. Den elektriska bromsen i den automatiska bromsmekanismen kommer att stoppa knivens rotation inom tre sekunder efter att bågomkopplaren släppts.

### SJÄLVGÅENDE SYSTEM MED VARIABEL HASTIGHET (Bild P)

Gräsklippare är utrustad med variabel självdrivande hastighet. Detta självgående system är oberoende av bladrotationen.

### För att driva det självgående systemet utan bladrotation

1. Tryck på strömbrytaren för att belysa instrumentbrädan.
2. Vrid den självgående hastighetsväljaren lätt framåt tills ett klick hörs, tryck sedan på självgående avtryckaren/avtryckarna. Det finns två självgående avtryckare, tryck på någon av dem för att starta självgående funktionen.

**För att stänga av självdrivande systemet,** släpp avtryckaren självdrivande systemet.

P-1	Hastighetskontrollerande ratt självdrivning	P-2	Självdrivande systemets avtryckare
-----	---	-----	------------------------------------

### LEDSTRÅLKASTARE (Bild Q)

**För att slå på strålkastarna,** tryck på knappen för LED-strålkastarna. Strålkastarna ger starkt ljus framför gräsklipparen.

**För att stänga av strålkastarna,** tryck på knappen igen.

## KLIPPARENS STATUSINDIKATORER (Bild A2)

Gräsklipparens statusindikator på instrumentbrädan visar klipparens arbetsstatus.

Indikator	Beskrivning	Innebörd	Åtgärd
	Fast grön	Gräsklipparen fungerar korrekt.	Ingen krävs.
	Blinkar grönt	Sidoskenorna är inte helt utdragna.	Stoppa gräsklipparen och se till att sidoskenorna är helt utdragna.
		Handtaget är inte låst i en driftposition.	Stoppa gräsklipparen och se till att handtaget är låst i ett av tre driftlägen.
	Blinkar rött	Låg batteriladdning.	Stoppa gräsklipparen och ladda batteripaketet.
	Fast orange	Gräsklipparen är överhettad.	Släpp bladrotationsavtryckaren, vänta tills gräsklipparens temperatur sjunker under 80 °C. Se " <b>ÖVERBELASTNINGSSKYDD FÖR GRÄSKLIPPARE</b> " nedan.
	Blinkar orange	Gräsklipparen är överbelastad.	<ol style="list-style-type: none"> <li>1. Ta bort batteripaketet och kontrollera sedan om gräset har samlats under däckets. Rengör vid behov.</li> <li>2. Sakta ner ditt steg när du klipper.</li> <li>3. Öka klipphöjden.</li> <li>4. Om ovanstående lösningar inte fungerar, vänligen kontakta EGO servicecenter.</li> </ol> Se " <b>ÖVERBELASTNINGSSKYDD FÖR GRÄSKLIPPARE</b> " nedan.
	Blinkar växelvis röd/grön	Gräsklipparens elektronikfel.	Kontakta EGO Kundtjänst.

SE

### SKYDD HÖG BATTERITEMPERATUR

Om maskinens temperatur överstiger 90 °C under drift, kommer temperaturskyddskretsen omedelbart att stänga av maskinen för att skydda mot överhettningsskador.

Gräsklipparens statusindikator lyser orange. Släpp avtryckaren och vänta tills den överhettade maskinen svalnat och hastighetsindikatorn blir grön, starta sedan om gräsklipparen.

### GRÄSKLIPPARE ÖVERBELASTNINGSSKYDD

För att förhindra överbelastning, försök att inte klippa för mycket gräs på en gång. Sakta ner ditt steg eller öka klipphöjden.

Din gräsklippare har ett inbyggt kretsskydd mot överbelastning. När gräsklipparen är överbelastad kommer motorn att stoppa och gräsklipparens statusindikatorn kommer att blinka orange.

## UNDERHÅLL

**⚠ VARNING:** För att undvika allvarliga personskador, stäng alltid av gräsklipparen, ta bort batteripaketet och se till att alla rörliga delar har stannat helt. innan du rengör, utför underhåll eller transporterar gräsklipparen.

**⚠ VARNING:** Underhåll alltid maskinen regelbundet.

**⚠ VARNING:** Stoppa maskinen och ta ur batteripaketet för att säkerställa att alla rörliga delar har stannat helt efter att ha träffat ett främmande föremål, och för att inspektera maskinen för skador och utföra reparationer innan maskinen startas om och används.

SE

**⚠ VARNING:** Stoppa maskinen och avlägsna batteripaketet för att säkerställa att alla rörliga delar har stannat helt, om maskinen börjar vibrera onormalt, och sedan omedelbart inspektera för skador, byt ut eller reparera alla skadade delar och kontrollera för och dra åt alla lösa delar.

**⚠ VARNING:** Vid service ska enbart identiska utbyteskomponenter användas. Användning av andra delar kan skapa risker eller orsaka produktskador. För att garantera en säker och pålitlig användning måste alla reparationer utföras av en kvalificerad servicetekniker.

## RENGÖRING AV GRÄSKLIPPAREN

Undersidan av gräsklippardäcket skall rengöras efter varje användning efter som gräsklipp, löv, smuts och annat skräp kommer att ackumuleras.

Ta bort allt uppsamlat gräs på och runt drivaxeln och motorfläkten. Torka rent gräsklipparen med en fuktig trasa.

## BYTA KNIVENHETEN (Bild R1, R2, R3)

**⚠ VARNING:** Ta alltid bort batteripaketet och gräspåsen.

**⚠ VARNING:** Bär alltid skyddshandskar.

**UPPMÄRKSAMMA:** Rengör noga drivaxelområdet och undersidan av maskinen innan knivenheten installeras.

1. Vänd klipparen upp och ner.
2. Ta bort/montera knivsetet med en momentnyckel och två metalstänger som hjälp såsom visas.
3. Den tryckta knivsidan mot utsidan.

## FÖRVARING AV GRÄSKLIPPAREN (Bild S1 och S2)

- Ta bort batteripaketet från gräsklipparen och förvara det på en kall, torr och ren plats. Förvara det inte nära korrosiva material, såsom gödningsmedel eller bergssalt.
- Töm gräspåsen före förvaring.
- Låt alltid gräsklipparen svalna innan förvaring.
- Rengöring och underhåll innan förvaring.
- För vara gräsklipparen i ett täckt och slutet utrymme som är svalt, torrt och utom räckhåll för barn.
- Täck inte över gräsklipparen med ett tätt plastskynke. Plastöverdrag fångar in fukten runt gräsklipparen vilket orsakar rost och korrosion.
- Gräsklipparen kan förvaras plant eller upprätt (bild S1 och S2).

**⚠ VARNING:** Om gräsklipparen tipsar över från upprätt position kan gräsklipparen eller personer skadas. Ha alltid gräsklipparen stabilt placerad och utom räckhåll för barn när den är i upprätt position. Om möjligt, lägg den plant vid förvaring.

## SKYDDA MILJÖN



Kassera inte elektriska apparater som osorterat kommunalt avfall, lämna in till närmaste återvinningsstation.

Kontakta de lokala myndigheterna för information beträffande tillgängliga insamlingsssystem.

Om elektriska apparater kasseras på avfallsupplag eller soptippar kan farliga ämnen läcka ut i grundvattnet och tränga in i livsmedelskedjan och skada din hälsa och välbefinnande.



## FELSÖKNING

PROBLEM	ORSAK	LÖSNING
Gräsklipparen eller självgående funktionen startar inte.	<ul style="list-style-type: none"> <li>■ Batteripaketets laddning är slut.</li> </ul>	<ul style="list-style-type: none"> <li>■ Ladda batteripaketet.</li> </ul>
	<ul style="list-style-type: none"> <li>■ Batteripaketet är inte ordentligt isatt i batterifacket.</li> </ul>	<ul style="list-style-type: none"> <li>■ Sätt i batteripaketet i batterifacket tills du hör ett "klick".</li> </ul>
	<ul style="list-style-type: none"> <li>■ Handtaget är inte låst i arbetsläge och gräsklipparen statusindikator blinkar grönt.</li> </ul>	<ul style="list-style-type: none"> <li>■ Stoppa gräsklipparen och se till att handtaget är låst i ett av driftlägena.</li> </ul>
	<ul style="list-style-type: none"> <li>■ Gräsklippardäcket är igensatt med gräs och skräp.</li> </ul>	<ul style="list-style-type: none"> <li>■ Rengör gräsklippardäcket och se till att knivenheten kan röra sig fritt.</li> </ul>
Gräsklipparen klipper ojämnt.	<ul style="list-style-type: none"> <li>■ Knivenheten är slö.</li> </ul>	<ul style="list-style-type: none"> <li>■ Slipa eller byt ut knivenheten.</li> </ul>
	<ul style="list-style-type: none"> <li>■ Klipphöjden är inte korrekt inställd.</li> </ul>	<ul style="list-style-type: none"> <li>■ Flytta däckets höjd till en högre inställning.</li> </ul>
	<ul style="list-style-type: none"> <li>■ Knivenheten är felaktigt installerad.</li> </ul>	<ul style="list-style-type: none"> <li>■ Sätt tillbaka knivenheten genom att följa avsnittet "<b>BYTA KNIVENHETEN</b>" i denna manual.</li> </ul>
	<ul style="list-style-type: none"> <li>■ Knivhastighetsläget är inte korrekt inställt.</li> </ul>	<ul style="list-style-type: none"> <li>■ Välj ett lämpligt knivhastighetsläge.</li> </ul>
Gräsklipparen finfördelar inte ordentligt.	<ul style="list-style-type: none"> <li>■ Vått gräsklipp har fastnat på undersidan av däcket.</li> </ul>	<ul style="list-style-type: none"> <li>■ Vänta tills gräset torkar innan klippning.</li> </ul>
	<ul style="list-style-type: none"> <li>■ Gräsklipparen är inställd att klippa för mycket gräs i taget.</li> </ul>	<ul style="list-style-type: none"> <li>■ Hög däcket till en högre klipphöjd.</li> </ul>
	<ul style="list-style-type: none"> <li>■ Knivhastighetsläget är inte korrekt inställt.</li> </ul>	<ul style="list-style-type: none"> <li>■ Välj knivhastigheten till en lägre inställning.</li> </ul>

SE

PROBLEM	ORSAK	LÖSNING
Gräsklipparen stannar oväntat under klippningen.	<ul style="list-style-type: none"> <li>■ Batteripaketets laddning är slut.</li> </ul>	<ul style="list-style-type: none"> <li>■ Ladda batteripaketet.</li> </ul>
	<ul style="list-style-type: none"> <li>■ Gräsklipparen är överbelastad och gräsklipparens statusindikator blinkar orange.</li> </ul>	<ul style="list-style-type: none"> <li>■ Kontrollera om gräs har samlats under däckets och rengör vid behov. Öka klipphöjden eller sakta ned klippningen.</li> </ul>
	<ul style="list-style-type: none"> <li>■ Gräsklippardäcket är igensatt med gräs och skräp.</li> </ul>	<ul style="list-style-type: none"> <li>■ Rensa gräsklippardäcket. Höj klipphöjden och/eller klipp en smalare sträng.</li> </ul>
	<ul style="list-style-type: none"> <li>■ Batteripaketet eller klipparens kretsar är för varma. Om batteriet är överhettat slocknar gräsklipparens statusindikator. Om gräsklipparen är överhettad lyser gräsklipparens statusindikator fast orange.</li> </ul>	<ul style="list-style-type: none"> <li>■ Låt batteripaketet eller gräsklipparen svalna.</li> </ul>
	<ul style="list-style-type: none"> <li>■ Knivhastighetsläget är inte korrekt inställt.</li> </ul>	<ul style="list-style-type: none"> <li>■ Välj knivhastigheten till en lägre inställning.</li> </ul>
	<ul style="list-style-type: none"> <li>■ Klipparens elektronikfel och gräsklipparens statusindikator blinkar röd/grönt växelvis.</li> </ul>	<ul style="list-style-type: none"> <li>■ Kontakta EGO-servicecentret.</li> </ul>
Det förekommer kraftiga vibrationer.	<ul style="list-style-type: none"> <li>■ Klippknivenheten är lös.</li> </ul>	<ul style="list-style-type: none"> <li>■ Dra åt alla knivbultar.</li> </ul>
	<ul style="list-style-type: none"> <li>■ Klippknivenheten är i obalans.</li> </ul>	<ul style="list-style-type: none"> <li>■ Kontakta EGO-servicecentret.</li> </ul>
	<ul style="list-style-type: none"> <li>■ Klippkniven är böjd.</li> </ul>	<ul style="list-style-type: none"> <li>■ Byt kniven.</li> </ul>
	<ul style="list-style-type: none"> <li>■ Motoraxeln är böjd.</li> </ul>	<ul style="list-style-type: none"> <li>■ Kontakta EGO-servicecenter.</li> </ul>
	<ul style="list-style-type: none"> <li>■ Gräsklipparen är inställd att klippa för mycket gräs i taget.</li> </ul>	<ul style="list-style-type: none"> <li>■ Höj däckets till en högre klipphöjd.</li> </ul>
	<ul style="list-style-type: none"> <li>■ Knivhastighetsläget är inte korrekt inställt.</li> </ul>	<ul style="list-style-type: none"> <li>■ Ställ in knivhastigheten på en lägre inställning.</li> </ul>
Motorn arbetar men knivenheten klipper inte gräset.	<ul style="list-style-type: none"> <li>■ Knivenheten är inte åtdragen med erforderligt vridmoment.</li> </ul>	<ul style="list-style-type: none"> <li>■ Dra åt knivenheten igen. Det rekommenderade vridmomentet för knivbulten är 50-60 Nm.</li> </ul>
Svårighet att flytta klippväljarevredet från sida till sida.	<ul style="list-style-type: none"> <li>■ Alltför mycket gräsklipp har samlats på toppen av vredet.</li> </ul>	<ul style="list-style-type: none"> <li>■ Rensa gräs från klippdäcket efter varje användning.</li> </ul>

SE

## GARANTI

### EGO GARANTIPOLICY

Besök webbsidan [egopowerplus.eu](http://egopowerplus.eu) för fullständiga villkor för EGO garantipolicy.

**LUE KAIKKI OHJEET!**

**Käyttötarkoitus:** Tuote on tarkoitettu manuaaliseen ruohonleikkuuseen:

- Käytä vain kuivan ruohon leikkaamiseen. Älä leikkaa märkää ruohoa.
- Älä käytä sitä mihinkään muihin tarkoituksiin.

**VAROITUS:** Lue ja ymmärrä tämän käyttöoppaan kaikki turvallisuusohjeet, mukaan lukien turvallisuusvaroitussymbolit, kuten "VAARA", "VAROITUS" ja "HUOMIO" ennen koneen käyttämistä. Alla olevien ohjeiden noudattamatta jättäminen saattaa aiheuttaa sähköiskun, tulipalon ja/tai vakavan henkilövahingon.

**TURVALLISUUSSYMBOLIT**

Turvallisuushälytys



Käytä aina kuulosuojaimia, suojalaseja tai sivusuojallisia suojalaseja ja koko kasvat peittävää suojaa, kun käytät laitetta.



Varo sinkoutuvia kohteita – pidä sivulliset loitolla.



Pidä kädet etäällä



Taattu äänitehotaso.



Tämä tuote vastaa sovellettavaa UK-lainsäädäntöä.

IPX4

Suojaus vesiroiskeilta

mm

Millimetri



Tasavirta



Käyttäjän on luettava ja ymmärrettävä käyttöopas ennen tämän laitteen käyttöä loukkaantumisvaaran vähentämiseksi.



Kytke virta pois ja poista irrotettava akku (tai estolaite) ennen kuin säädät tai puhdistat laitetta.



Pidä kädet ja jalat etäällä teristä



Älä tuijota käyttövaloa.



Tämä tuote vastaa sovellettavia EU-direktiivejä.



Vanhoja sähkölaitteita ei saa hävittää kotitalousjätteen mukana. Vie laite valtuutettuun kierrätyslaitokseen.

V

Voltti

cm


Senttimetri

kg

Kilogramma

FI

## TEKNISET TIEDOT

Jännite	56 V 	
Terän nopeustila	2	
	1	
	ECO	
Leikkuukorkeuden asennot	8	
Leikkuukorkeuden asetus	25 mm/33 mm/43 mm/ 54 mm/66 mm/79 mm/ 92 mm/105 mm	
Leikkuuleveys	55 cm	
Ruuhopussin tilavuus	85 l	
Ruohonleikkurin paino (ruuhopussilla ja akulla BA6720T)	37 kg	
Teräsarjan malli	AB2212D-E	
Suosittelut käyttölämpötila	0 - 40 °C	
Suosittelut säilytyslämpötila	-20 - 70 °C	
Mitattu äänitehon taso $L_{WA}$	95 dB(A) K=0,7 dB(A)	
Äänenpaineen taso käyttäjän korvien tasolla $L_{PA}$	83 dB(A) K=3 dB(A)	
Taattu äänen tehotaso $L_{WA}$ (mitattu standardin 2000/14/EY mukaisesti)	96 dB(A)	
Tärinäarvo $a_{h1}$ :	Vasen kahva	1,35 m/s <sup>2</sup> K=1,5 m/s <sup>2</sup>
	Oikea kahva	1,35 m/s <sup>2</sup> K=1,5 m/s <sup>2</sup>

- Ilmoitettu tärinän kokonaispäästöarvo on mitattu vakiotestausmenetelmän mukaisesti ja sitä voidaan käyttää koneiden keskinäiseen vertailuun.
- Ilmoitettua tärinän kokonaispäästöarvoa voidaan käyttää myös altistumisen alustavaan arviointiin.

**VAROITUS:** Koneen käytön aikana mitattu todellinen tärinäpäästöarvo voi poiketa ilmoitetusta kokonaispäästöarvosta koneen käyttötavasta johtuen; käyttäjän suojaamiseksi tulee käyttää käsineitä ja kuulosuojaimia todellisissa käyttöolosuhteissa.

**VAROITUS:** Käyttäjän suojelemiseksi on määriteltävä turvallisuustoimenpiteet, jotka perustuvat todellisiin käyttöolosuhteisiin perustuvaan altistumisen arviointiin (ottaen huomioon kaikki käyttösyklin osat, kuten ajat, jolloin työkalu on kytkettynä pois päältä, ja kun se käy tyhjäkäynnillä laukaisuajan lisäksi).

## PAKKAUSLUETTELO (KUVA A1 JA A2)

OSAN NIMI	MÄÄRÄ
Ruohonleikkuri	1
Ruuhopussi	1
Ruuhopussin kehikko	1
Käyttöopas	1

## KUVAUS

### TUNNE RUOHONLEIKKURISI (Kuvat A1 ja A2)

1. Kahva
2. Sivutanko
3. Kahvan lukituskristin
4. Takana oleva poistoluukku
5. Nostokahva
6. Akkulokeron kansi
7. LED-ajovalot
8. Leikkuun valintanuppi
9. Etupyörä
10. Leikkuukorkeuden säätönuppi
11. Leikkuulaite
12. Ilmanotto
13. Takapyörä
14. Pikasäätövipu
15. Ruuhopussi
16. Lokasuoja
17. Terän pyörimisliipaisin
18. Itsevetoliipaisin
19. Itsevetonopeuden säädin
20. Terän nopeustilapainike
21. Virtapainike
22. LED-etuvalojen painike
23. LED-etuvalojen kuvake
24. LED-etuvalojen merkkivalo
25. Ruohonleikkurin tilan merkkivalo
26. Terän kuvake
27. Terän nopeustilan merkkivalo
28. Ruohonleikkurin tilakuvake

## KOKOAMINEN

**VAROITUS:** Jos jokin osa on vahingoittunut tai puuttuu, älä käytä tuotetta ennen kuin osat on vaihdettu. Tuotteen käyttö vioittuneilla tai puuttuvilla osilla voi aiheuttaa vakavan henkilövahingon.

**VAROITUS:** Poista akku koneesta aina, kun kokoat osia. Näin varmistat, ettei laite käynnisty vahingossa eikä aiheuta vakavia henkilövahinkoja.

**VAROITUS:** Älä yritä muuttaa tätä konetta tai käyttää siinä lisävarusteita, joita ei ole suunniteltu käytettäväksi tämän ruohonleikkurin kanssa. Kaikenlainen muuttaminen tai muuntelu on väärinkäyttöä, ja voi aiheuttaa vaaratilanteen, joka johtaa vakaviin henkilövahinkoihin.

## PAKKAUKSEN PURKAMINEN

- Poista kaikki lisävarusteet pakkauksesta.
- Tartu ruohonleikkurin etuosaan ja nostokahvaan samanaikaisesti ja nosta ruohonleikkuri varovasti ylös ja ulos laatikosta.

## TAITETTAVAN KAHVAN SÄÄTÄMINEN

**VAROITUS:** Älä yritä käynnistää ruohonleikkuria ennen kuin kahva on lukittu johonkin kolmesta esiasetetusta käyttöasennosta: YLÄKÄYTTÖASENTO, KESKIKÄYTTÖASENTO ja ALAKÄYTTÖASENTO.

1. Pidä pikasäätövipu painettuna vapauttaaksesi kahvan LUKITUSTA VARASTOASENNOSTA (kuva B1).

B1-1	Pikasäätövipu
------	---------------

2. Nosta kahva taitetusta asennosta ja vapauta sitten vipu. Käännä kahvaa varovasti ylöspäin, kunnes kuulet ja tunnet lukkotapin lukittuvan johonkin kuvassa B2 näkyvistä asennoista.

B2-1	Lukittu varastoasento	B2-2	Ruohopussin kiinnitys-/irrotusasento
B2-3	Ylempi käyttöasento	B2-4	Keskitasen käyttöasento
B2-5	Alempi käyttöasento		

3. Pidennä sivutangot kokonaan ja sulje kahvan lukituskiristin kunnolla (kuva B3).

**HUOMAA:** Moottoria ei voi käynnistää, ellei:

- Sivutankoja ole pidennetty kokonaan.
- Vihreää kahvan lukituskiristintä ole tukevasti suljettu.
- Kahvaa ole lukittu johonkin kolmesta käyttöasennosta.

## RUOHOPUSSIN KOKOAMINEN (Kuva C1, C2, C3)

Tarkista ruohopussi ennen kokoamista varmistaaksesi, ettei siinä ole vaurioita.

Kokoa ruohopussi kuvan mukaisesti.

## LEIKKUUN VALINTANUPPI (Kuva D)

Aseta leikkuun valintanuppi mihin tahansa viidestä asennosta halutun leikkuutuloksen saavuttamiseksi.

Nupilla voidaan säätää liukuluukku täysin avoimesta "BAG"-asennosta täysin suljettuun "MULCH"-asentoon.

Säätämällä leikkuun valintanuppia voidaan täyttää erilaiset leikkuuvaatimukset.

**Voit asettaa nupin uudelleen** vetämällä nupin ulos pidikkeestä ja asettamalla sen haluamaasi asentoon.

**HUOMAUTUS:** Jos tunnet suuren vastuksen, kun siirät leikkuun valintanuppia puolelta toiselle, liukuluukun päälle on saattanut kertyä liikaa ruohoa. Puhdista ruoho ruohonleikkurin kannen alta jokaisen käyttökerran jälkeen.

D-1	Liukuluukku	D-2	"MULCH"-asento
D-3	Leikkuun valintanuppi	D-4	"BAG"-asento

## LIUKULUUKUN ASENTO

Liukuluukku voidaan asettaa eri asentoihin erilaisten leikkuutulosten aikaansaamiseksi. Opettele valinta-asentojen erot asettamalla ruohopussi ja aloittamalla ruohonleikkuun leikkuun valintanupin ollessa asennossa "BAG". Tarkista nurmikon ulkonäkö. Kun nuppia siirretään kohti "MULCH"-asentoa, ruohoa kierrätetään silppuamalla enemmän takaisin nurmikkoon. Säädä leikkuun valintanuppia, kunnes saavutat haluamasi tuloksen. Yhdistelmätila pussitus/silppuaminen saa aikaan siistin ja upean leikkuutuloksen.

- **Leikkuun valintanupin ollessa "BAG"-asennossa**, liukuluukku on täysin auki, jolloin kaikki ruohonleikkuujätteet menevät pussiin (kuva E1).
- **Kun leikkuun valintanuppi on yhdistelmäasennossa pussitus/silppuaminen**, luukkuovi on osittain suljettu. Osa leikkuujätteistä menee pussiin, osa silputaan hienoksi ja levitetään maahan (kuva E2).
- **Kun leikkuun valintanuppi on "MULCH"-asennossa**, liukuluukku on kokonaan suljettu. Kaikki leikkuujätteet silputaan hienoksi ja levitetään maahan (kuva E3).

FI

## POISTAMINEN SIVULLE

### Sivupoistokourun (myydään erikseen) kiinnittäminen/irrottaminen

**HUOMAUTUS:** Varmista, että kannen alapuoli on puhdas ennen sivupoistokourun käyttöä.

- Poista ruohopussi ja aseta leikkuun valintanappi asentoon "BAG".
- Asenna sivupoistokouru ruohonleikkuriin kuvan F mukaisesti.

## PELKÄSTÄÄN RUOHOPUSSI

### Ruohopussin kiinnittäminen/irrottaminen

**FI** **VAROITUS:** Normaalkäytössä ruohopussin materiaali kuluu. Loukkaantumisvaaran vähentämiseksi tarkista ruohopussi säännöllisesti ja vaihda se, jos huomaat kulumista tai heikentymistä. Käytä vain tälle ruohonleikkurille valmistettuja ruohopusseja.

**HUOMAUTUS:** Varmista, että kannen alapuoli on puhdas ennen ruohopussin käyttöä.

- Irrota sivupoistokouru ja aseta leikkuun valintanappi asentoon "BAG".
- Asenna ruohopussi ruohonleikkuriin kuvan G mukaisesti.

## PELKÄSTÄÄN SILPPUAMINEN (Kuva H)

- Poista ruohopussi.
- Vapauta takapoistoluukku.
- Aseta leikkuun valintanappi asentoon "MULCH".

## YHDISTELMÄ PUSSITUS/SILPPUAMINEN (Kuva J)

- Kiinnitä ruohopussi.
- Aseta leikkuun valintanappi johonkin kolmesta pussitus/silppuaminen-yhdistelmäasennosta.

**HUOMAA:** Kun leikkuun valintanappia siirretään kohti asentoa "MULCH", enemmän ruohoa kierrätetään silppuamalla takaisin nurmikkoon.

Kun leikkuun valintanappia siirretään kohti asentoa "BAG", enemmän ruohoa poistuu takapoiston kautta ruohopussiin.

## LEIKKUUKORKEUDEN SÄÄTÖ (Kuva K)

Pidä jalkasi poissa kannelta, kun säädät leikkuukorkeutta.

Ruohonleikkurissa on 8 leikkuukorkeutta väliä 25 - 105 mm. Merkintä osoittaa valitun leikkuukorkeuden.

Valitse sopiva leikkuukorkeus leikattavan ruohon tyyppiin ja leikkuuolosuhteiden mukaan.

1. Sammuta ruohonleikkuri ja odota, että leikkuuterä pysähtyy kokonaan.
2. Poista akku.
3. Vedä leikkuukorkeuden säätövipu ulos pidikkeestä ja aseta se haluamaasi asentoon.

**HUOMAA:** Vältäaksesi moottorin ylikuormittumisen välttä leikkuukorkeuden asettamista liian matalaksi korkeassa ruohossa. Jos moottorin nopeus alkaa hidastua, nosta leikkuukorkeutta.

## KÄYTTÖ

Poista akku laitteesta aina, kun kokoat osia, teet muutoksia tai puhdistat laitetta tai kun et käytä sitä. Näin varmistat, ettei laite käynnisty vahingossa ja aiheuta vakavia henkilövahinkoja.

## AKUN KIINNITTÄMINEN/POISTAMINEN (Kuva L)

Käytä vain EGO:n akkuja ja latureita, jotka on lueteltu kuvassa A3.

Lisätietoja on vastaavien akkujen ja latureiden käyttöohjeissa.

## Lataa täyteen ennen ensimmäistä käyttökertaa

1. Nosta akkulokeron kansi ylös nostamalla kannen etuosaa.
2. **Kiinnittäminen** Aseta akun urat kiinnitysaukkoihin ja paina akkua alapäin, kunnes kuulet "naksahduksen".
3. **Irrottaminen** Paina akun vapautuspainiketta ja vedä akku ulos.
4. Sulje akkulokeron kansi.

**HUOMAUTUS:** Varmista, että ruohonleikkurin salpa napsahtaa paikalleen, ja että akku on turvallisesti kiinni ruohonleikkurissa ennen aloitettua käyttöä.

## TERÄN NOPEUSTILAN VALITSEMINEN (Kuva M)

- **Tila 2** on suurin terän nopeustiloista korkean nostokyvyn saavuttamiseksi imuvoiman ja leikkuutehon parantamiseksi.
- **Tila 1** on paras tasapaino suorituskyvyn ja käyttöajan välillä.
- **ECO-tila** tarjoaa alhaisimman melutason ja pisimmän käyttöajan akulla.

**HUOMAA:** Terän nopeutta ei voi säätää käytön aikana. Muutos tulee voimaan vasta, kun moottori pysäytetään ja käynnistetään uudelleen.

Valitse **tila 2, 1** tai **ECO** painamalla toistuvasti terän nopeustilapainiketta.

**HUOMAA:** Terän oletusnopeustila on 1.

M-1	Terien nopeuden merkivalo	M-2	Terän nopeustilapainike
-----	---------------------------	-----	-------------------------

### LEIKKURIN KÄYNNISTÄMINEN/SAMMUTTAMINEN

Tuotetta voi käyttää sateessa.

**VAROITUS:** Minkä tahansa ruohonleikkurin käyttö saattaa aiheuttaa vierasesineiden sinkoutumisen käyttäjän tai sivullisten silmiin, mikä voi aiheuttaa vakavia silmävammoja. Käytä aina suojalaseja, kun käytät ruohonleikkuria tai säädät tai korjaat sitä.

**HUOMAUTUS:** Terä pyörii vielä muutaman sekunnin ajan senkin jälkeen, kun ruohonleikkuri on sammutettu. Anna moottorin/terän pysähtyä ennen kuin käynnistät sen uudelleen. Älä sammuta ja käynnistä ruohonleikkuria nopeasti peräjälkeen.

**VAROITUS:** Pysäytä terät, jos ruohonleikkuria on kallistettava ylittäessäsi muita pintoja kuin ruohoa, ja kun kuljetat ruohonleikkuria leikattavalle alueelle ja siitä pois.

**VAROITUS:** Älä kallista ruohonleikkuria, kun käynnistät moottorin, paitsi jos ruohonleikkuria on kallistettava käynnistämistä varten. Siinä tapauksessa kallista laitetta vain sen verran kuin on pakko, ja nosta vain sitä osaa, joka on kaukana käyttäjästä.

Tarkista aina ennen käyttöä silmämääräisesti, etteivät terä ja terän pultti ole kuluneet tai vaurioituneet. Vaihda kulunut tai vaurioitunut terä ja pultti sarjoina, jotta tasapaino säilyy.

### Tarkista, onko leikkuuterä tukkeutunut

- Pidä leikkuuterä ja ruohonleikkurin kansi puhtaina tukkeutumisten estämiseksi. Poista ruohonleikkujätteet, lehdet, lika ja muut kertyneet roskat ennen ja jälkeen jokaisen käyttökerran.
- Kun tukkeutuminen tapahtuu, pysäytä ruohonleikkuri ja irrota akku ja poista ruoho- ja lehtikeräntymät käyttöaksellilta ja moottorin tuulettimesta tai niiden ympäriltä. Puhdista ruohonleikkuri pyyhkimällä kostealla liinalla.

**HUOMIO:** Älä yritä ohittaa virtapainikkeen ja terän pyörimisliipaisimen toimintaa.

**HUOMAUTUS:** Moottoria ei voida käynnistää, ellei kahva ole lukittu johonkin kolmesta käyttöasennosta.

### Ruohonleikkurin käynnistäminen (Kuvat N1 ja N2)

1. Kiinnitä akku ruohonleikkuriin ja sulje akkulokeron kansi.
2. Valaise kojelautaa painamalla virtapainiketta, ruohonleikkurin tilan merkivalo ja terän nopeuden merkivalo tilassa 1 sytyvät.
3. Valitse haluamasi nopeus painamalla terän nopeustilapainiketta.
4. Pidä virtapainiketta painettuna.
5. Kun pidät virtapainiketta painettuna, vedä terän pyörimisliipaisin kiinni kahvaan ja vapauta virtapainike.

### Ruohonleikkurin pysäyttäminen (Kuva N3)

1. Vapauta terän pyörimisliipaisin kokonaan.
2. Sähköinen jarru automaattisessa jarrumeکانismissa pysäyttää terän pyörimisen 3 sekunnin kuluessa terän pyörimisliipaisimen vapauttamisesta.

### VAIHTELIVANOPEUKSINEN ITSEVETOJÄRJESTELMÄ (Kuva P)

Leikkurissa on vaihtelivanopeuksinen itseveto-ominaisuus. Tämä itsevetojärjestelmä on riippumaton terän pyörimisestä.

### Itsevetojärjestelmän käyttäminen ilman terän pyörimistä

1. Valaise kojelautaa painamalla virtapainiketta.
2. Kierrä itsevetävän nopeuden valitsinta hieman eteenpäin, kunnes kuuluu naksahdus, paina sitten itsevetoliipaisinta. Itsevetoliipaisimia on kaksi, paina jompaakumpaa niistä käynnistääksesi itsevetotoiminnon.

**Itseveto pysähtyy**, kun vapautat itsevetoliipaisimen.

P-1	Itsevetonopeuden säädin	P-2	Itsevetoliipaisin
-----	-------------------------	-----	-------------------

### LED-ETUVALOT (Kuva Q)







**Kytke etuvalot päälle painamalla** LED-etuvalojen painiketta. Etuvalot tuottavat kirkkaan valon ruohonleikkurin eteen.

**Sammuta etuvalot** painamalla painiketta uudelleen.

FI

## RUOHONLEIKKURIN TILAN MERKKIVALOT (Kuva A2)

Kojelaudan ruohonleikkurin tilan merkkivalo näyttää ruohonleikkurin käyttötilan.

Merkkivalo	Kuvaus	Merkitys	Toimenpide
	Palaa vihreänä	Ruohonleikkuri toimii oikein.	Ei tarvita mitään.
	Vilkkuu vihreänä	Sivutankoja ei ole pidennetty kokonaan.	Pysäytä ruohonleikkuri ja pidennä sivutangot kokonaan.
		Kahvaa ei ole lukittu käyttöasentoon.	Pysäytä ruohonleikkuri ja varmista, että kahva on lukittu johonkin kolmesta käyttöasennoista.
	Vilkkuu punaisena	Alhainen akun varaustaso.	Pysäytä ruohonleikkuri ja lataa akku.
	Palaa oranssina	Ruohonleikkuri on ylikuumentunut.	Vapauta sankakytin, odota, kunnes ruohonleikkurin lämpötila laskee alle 80 °C. Katso ” <b>RUOHONLEIKKURIN YLIKUUMENEMISSUOJAUS</b> ” alta.
	Vilkkuu oranssina	Ruohonleikkuri on ylikuormittunut.	<ol style="list-style-type: none"> <li>Poista akku ja tarkista sitten, onko kannen alle kertynyt ruohoa. Puhdista tarvittaessa.</li> <li>Hidasta askelia, kun leikkaat ruohoa.</li> <li>Nosta leikkuukorkeutta.</li> <li>Jos edellä mainitut ratkaisut eivät toimi, ota yhteyttä EGO-asiakaspalveluun.</li> </ol> <p>Katso ”<b>RUOHONLEIKKURIN YLIKUORMITUSSUOJAUS</b>” alta.</p>
	Vilkkuu vuorotellen punaisena ja vihreänä	Ruohonleikkurin elektroniikkavirhe.	Ota yhteyttä EGO:n asiakaspalveluun.

FI

### KONEEN YLIKUUMENEMISSUOJAUS

Jos ruohonleikkurin lämpötila ylittää 90 °C käytön aikana, lämpötilasuojapiiri sammuttaa ruohonleikkurin välittömästi estääkseen ylikuumentumisvauriot.

Ruohonleikkurin tilan merkkivalo palaa oranssina. Vapauta terän pyörimisliipaisin ja odota, kunnes ylikuumentunut ruohonleikkuri jäähtyy ja tilan merkkivalo muuttuu vihreäksi, ja käynnistä sitten ruohonleikkuri uudelleen.

### RUOHONLEIKKURIN YLIKUORMITUSSUOJAUS

Ylikuormituksen välttämiseksi vältä liian suurten ruohikkoalueiden leikkaamista kerralla. Hidasta askelia tai nosta leikkuukorkeutta.

Ruohonleikkurissa on sisäänrakennettu ylikuormitussuojaus. Kun ruohonleikkuri on ylikuormittunut, moottori sammuu ja ruohonleikkurin tilan merkkivalo kojelaudassa vilkkuu oranssina.



## HUOLTAMINEN

**VAROITUS:** Vakavien henkilövahinkojen välttämiseksi sammuta ruohonleikkuri aina, poista akku ja varmista, että kaikki liikkuvat osat ovat pysähtyneet ennen puhdistamista, huoltojen suorittamista tai ruohonleikkurin kuljettamista.

**VAROITUS:** Huolehdi aina koneen säännöllisestä huoltamisesta.

**VAROITUS:** Pysäytä kone ja irrota akku varmistaaksesi, että kaikki liikkuvat osat ovat pysähtyneet täysin vieraaseen esineeseen törmäämisen jälkeen, ja tarkistaaksesi koneen vaurioiden varalta ja tehdäksesi korjauksia ennen koneen uudelleen käynnistämistä ja käyttämistä.

**VAROITUS:** Pysäytä kone ja irrota akku varmistaaksesi, että kaikki liikkuvat osat ovat pysähtyneet kokonaan, jos kone alkaa täristä epänormaalisti, ja tarkista kone välittömästi vaurioiden varalta, vaihda tai korjaa vaurioituneet osat sekä tarkista ja kiristä mahdolliset löystyneet osat.

**VAROITUS:** Käytä huollon yhteydessä vain identtisiä varaosia. Muiden osien käyttö saattaa aiheuttaa vaaran tai laitteen vaurioitumisen. Pätevän huoltoteknikon tulee suorittaa kaikki korjaukset, jotta voidaan taata tuotteen turvallinen ja luotettava käyttö.

### LEIKKURIN PUHDISTUS

Ruohonleikkurin kannen alapuoli tulee puhdistaa jokaisen käyttökerran jälkeen, sillä ruoho, lehdet, liika ja muu irtaines kertyvät sinne.

Poista kaikki kertynyt ruoho ja lehdet käyttöakselin ympäriltä ja moottorin tuulettimesta. Puhdista ruohonleikkuri pyyhkimällä kostealla liinalla.

### TERÄSARJAN VAIHTAMINEN (Kuvat R1, R2, R3)

**VAROITUS:** Poista aina akku ja ruohopussi.

**VAROITUS:** Käytä aina suojakäsineitä.

**HUOMAUTUS:** Puhdista vetoakselin alue ja koneen alapuoli huolellisesti ennen teräsarjan asentamista.

1. Käännä ruohonleikkuri ylösalaisin.
2. Irrota/asenna teräsarja momenttiavaimella ja kahdella metallitangolla kuvassa esitetyllä tavalla.
3. Painettu teränpuoli ulospäin.

## RUOHONLEIKKURIN VARASTOIMINEN

(Kuva S1 ja S2)

- Poista akku ruohonleikkurista ja säilytä sitä kuivassa, viileässä ja puhtaassa paikassa. Älä säilytä sitä syövyttävien materiaalien, kuten lannoitteiden tai suolojen, vieressä.
- Tyhjennä ruohopussi ennen varastointia.
- Anna ruohonleikkurin jäähtyä aina ennen varastointia.
- Puhdistaminen ja huolto ennen varastointia.
- Säilytä ruohonleikkuria viileässä, kuivassa, katetussa ja suljetussa tilassa, poissa lasten ulottuvilta.
- Älä peitä ruohonleikkuria muovisuojuksella. Muovisuojukset eivät päästä läpi ruohonleikkurissa olevaa kosteutta, mikä aiheuttaa ruostumista ja syöpymistä.
- Ruohonleikkuria voidaan säilyttää vaakasossa tai pystyssä (kuvat S1 ja S2).

**VAROITUS:** Jos ruohonleikkuri kaatuu pystyasennosta, ruohonleikkuri saattaa vahingoittua tai se saattaa aiheuttaa henkilövahingon. Pidä ruohonleikkuri aina vakaana ja poissa lasten ulottuvilta, kun se on pystyasennossa. Mikäli mahdollista, varastoi se litteänä.

### YMPÄRISTÖNSUOJELU



Älä hävitä sähkölaitteita lajittelemattomana talousjätteenä, käytä erillisiä keräilypisteitä.

Kysy tarkemmat tiedot jätteidenkeräyspisteistä paikallisilta viranomaisilta.

Jos sähkölaitteita viedään kaatopaikalle, pohjaveteen saattaa vuotaa vaarallisia aineita ja päätyä sitä kautta ruokaketjuun. Tämä vahingoittaa terveyttäsi ja hyvinvointiasi.

FI

## VIANMÄÄRITYS

ONGELMA	SYY	RATKAISU
Ruohonleikkuri tai itsevetotoiminto ei käynnisty.	<ul style="list-style-type: none"> <li>▪ Akun varaus on tyhjentynyt.</li> </ul>	<ul style="list-style-type: none"> <li>▪ Lataa akku.</li> </ul>
	<ul style="list-style-type: none"> <li>▪ Akkua ei ole asetettu oikein akkulokeroon.</li> </ul>	<ul style="list-style-type: none"> <li>▪ Paina akkua akkulokeroon, kunnes kuulet "naksahduksen".</li> </ul>
	<ul style="list-style-type: none"> <li>▪ Kahvaa ei ole lukittu käyttöasentoon ja ruohonleikkurin tilan merkkivalo vilkkuu vihreänä.</li> </ul>	<ul style="list-style-type: none"> <li>▪ Pysäytä ruohonleikkuri ja varmista, että kahva on lukittu johonkin käyttöasentoista.</li> </ul>
	<ul style="list-style-type: none"> <li>▪ Ruohonleikkurin kansi on täynnä ruohoa ja irtainesta.</li> </ul>	<ul style="list-style-type: none"> <li>▪ Puhdista ruohonleikkurin kansi, ja varmista, että teräsarjan liikkuu vapaasti.</li> </ul>
Ruohonleikkuri leikkaa epätasaisesti.	<ul style="list-style-type: none"> <li>▪ Teräsarja on tylsä.</li> </ul>	<ul style="list-style-type: none"> <li>▪ Teroita tai vaihda teräsarjan.</li> </ul>
	<ul style="list-style-type: none"> <li>▪ Ruohon leikkuukorkeutta ei ole asetettu oikein.</li> </ul>	<ul style="list-style-type: none"> <li>▪ Siirrä kannen korkeus korkeampaan asetukseen.</li> </ul>
	<ul style="list-style-type: none"> <li>▪ Teräsarja on asennettu väärin.</li> </ul>	<ul style="list-style-type: none"> <li>▪ Asenna teräsarjan uudelleen tämän käyttöoppaan kohdan <b>"TERÄSARJAN VAIHTAMINEN"</b> mukaisesti.</li> </ul>
	<ul style="list-style-type: none"> <li>▪ Terän nopeustilaa ei ole asetettu oikein.</li> </ul>	<ul style="list-style-type: none"> <li>▪ Valitse oikea terän nopeustila.</li> </ul>
Ruohonleikkuri ei silppua kunnolla.	<ul style="list-style-type: none"> <li>▪ Märät ruohopalat juuttuvat leikkuulaitteen alapuolelle.</li> </ul>	<ul style="list-style-type: none"> <li>▪ Odota, että ruoho kuivuu, ennen kuin jatkat leikkaamista.</li> </ul>
	<ul style="list-style-type: none"> <li>▪ Ruohonleikkuri on asetettu leikkaamaan liikaa ruohoa kerralla.</li> </ul>	<ul style="list-style-type: none"> <li>▪ Nosta kansi korkeampaan leikkuukorkeusasetukseen.</li> </ul>
	<ul style="list-style-type: none"> <li>▪ Terän nopeustilaa ei ole asetettu oikein.</li> </ul>	<ul style="list-style-type: none"> <li>▪ Valitse terän nopeudeksi hitaampi asetus.</li> </ul>

FI

ONGELMA	SYY	RATKAISU
Ruohonleikkuri pysähtyy odottamatta leikkuun aikana.	<ul style="list-style-type: none"> <li>■ Akun varaus on tyhjentynyt.</li> </ul>	<ul style="list-style-type: none"> <li>■ Lataa akku.</li> </ul>
	<ul style="list-style-type: none"> <li>■ Ruohonleikkuri on ylikuormitettu ja ruohonleikkurin tilan merkkivalo vilkkuu oranssina.</li> </ul>	<ul style="list-style-type: none"> <li>■ Tarkista, onko kannen alle kertynyt ruohoa, ja puhdista tarvittaessa. Vaihda leikkauskorkeutta tai hidasta leikkausvauhtia.</li> </ul>
	<ul style="list-style-type: none"> <li>■ Ruohonleikkurin kansi on täynnä ruohoa ja irtoinesta.</li> </ul>	<ul style="list-style-type: none"> <li>■ Poista tukokset ruohonleikkurin kannesta. Nosta leikkuukorkeutta ja/tai leikkaa ohut kaistale.</li> </ul>
	<ul style="list-style-type: none"> <li>■ Akku tai ruohonleikkurin virtapiiri on liian kuuma. Jos akku on ylikuumentunut, ruohonleikkurin tilan merkkivalo sammuu. Jos ruohonleikkuri on ylikuumentunut, ruohonleikkurin tilan merkkivalo palaa oranssina.</li> </ul>	<ul style="list-style-type: none"> <li>■ Anna akun tai ruohonleikkurin jäähtyä.</li> </ul>
	<ul style="list-style-type: none"> <li>■ Terän nopeustilaa ei ole asetettu oikein.</li> </ul>	<ul style="list-style-type: none"> <li>■ Valitse terän nopeudeksi hitaampi asetus.</li> </ul>
	<ul style="list-style-type: none"> <li>■ Ruohonleikkurin elektroniikkavirhe ja ruohonleikkurin tilan merkkivalo vilkkuu vuorotellen punaisena/vihreänä.</li> </ul>	<ul style="list-style-type: none"> <li>■ Ota yhteys EGO-huoltoliikkeeseen.</li> </ul>
Liiallista tärinää.	<ul style="list-style-type: none"> <li>■ Leikkuuteräsarja on löysä.</li> </ul>	<ul style="list-style-type: none"> <li>■ Kiristä terän pultti.</li> </ul>
	<ul style="list-style-type: none"> <li>■ Leikkuuteräsarja on epätasapainossa.</li> </ul>	<ul style="list-style-type: none"> <li>■ Ota yhteys EGO-huoltoliikkeeseen.</li> </ul>
	<ul style="list-style-type: none"> <li>■ Leikkausterä on taipunut.</li> </ul>	<ul style="list-style-type: none"> <li>■ Vaihda terä.</li> </ul>
	<ul style="list-style-type: none"> <li>■ Moottorin akseli on taipunut.</li> </ul>	<ul style="list-style-type: none"> <li>■ Ota yhteys EGO-huoltoliikkeeseen.</li> </ul>
	<ul style="list-style-type: none"> <li>■ Ruohonleikkuri on asetettu leikkaamaan liikaa ruohoa kerralla.</li> </ul>	<ul style="list-style-type: none"> <li>■ Nosta kansi korkeampaan leikkuukorkeusasetukseen.</li> </ul>
	<ul style="list-style-type: none"> <li>■ Terän nopeustilaa ei ole asetettu oikein.</li> </ul>	<ul style="list-style-type: none"> <li>■ Aseta terän nopeus hitaampaan asetukseen.</li> </ul>
Moottori toimii, mutta teräsarjan ei leikkaa ruohoa.	<ul style="list-style-type: none"> <li>■ Teräsarja ei ole kiristetty vaadittuun vääntömomenttiin.</li> </ul>	<ul style="list-style-type: none"> <li>■ Kiristä teräsarjan uudelleen. Suositeltu momentti terän pultille on 50 - 60 Nm.</li> </ul>
Vaikeus siirtää leikkuun valintanappia puolelta toiselle.	<ul style="list-style-type: none"> <li>■ Liian paljon leikkuujätettä on kertynyt liukupinnan päälle.</li> </ul>	<ul style="list-style-type: none"> <li>■ Puhdista ruoho ruohonleikkurin kannesta jokaisen käyttökerran jälkeen.</li> </ul>

## TAKUU

### EGON TAKUUEHDOT

Verkkosivustolta [egopowerplus.eu](http://egopowerplus.eu) löydät EGO:n takuukäytännön täydelliset ehdot.

## LES ALLE INSTRUKSJONER!

**Tiltentkt bruk:** Produktet er beregnet for manuell gressklipping:

- Bruk kun til klipping av tørt gress. Ikke klipp vått gress.
- Ikke bruk den til andre formål.

**ADVARSEL:** Sørg for å lese og forstå alle sikkerhetsinstruksjonene i denne brukerhåndboken, inkludert alle sikkerhetsvarselsymboler som «**FARE**», «**ADVARSEL**» og «**FORSIKTIG**» før du bruker denne maskinen. Unnlattelse av å følge alle instruksjonene nedenfor kan føre til elektrisk støt, brann og/eller alvorlig personskade.

## SIKKERHETSSYMBOLER



Sikkerhetsvarsel



For at risikoen for personskader skal unngås må brukeren lese og forstå bruksanvisningen før produktet tas i bruk.



Bruk alltid hørselsvern, vernebriller eller vernebriller med sideskjerm og hel ansiktsskjerm når du bruker dette produktet.



Slå av og fjern den avtagbare batteripakken (eller deaktiver enheten) før justering eller rengjøring.



Pass på gjenstander som kastes – hold tilskuere unna.



Hold hender og føtter unna knivene



Hold hånden unna



Ikke stirr på driftslampen.



Garantert lydeffektnivå.



Dette produktet er i samsvar med gjeldende EU-direktiver.



Dette produktet er i samsvar med gjeldende britisk lovgivning.



Elektriske produkter skal ikke kastes sammen med husholdningsavfallet. Ta med til en autorisert resirkulator.

IPX4 Beskyttelse mot vannsprut

V Volt

mm Millimeter

cm Centimeter

≡ Likestrøm

kg Kilogram

## SPESIFIKASJONER

Spenning	56 V	
Bladhastighetsmodus	2	
	1	
	ØKO	
Klippehøydeposisjoner	8	
Innstilling av klippehøyde	25 mm/33 mm/43 mm/ 54 mm/66 mm/79 mm/ 92 mm/105 mm	
Klippebredde	55 cm	
Volum av gresspose	85 L	
Klippervekt (med gresspose og batteri BA6720T)	37 kg	
Knivsett Modell	AB2212D-E	
Anbefalt driftstemperatur	0°C - 40°C	
Anbefalt lagringstemperatur	-20°C - 70°C	
Målt lydeffekt level $L_{WA}$	95 dB(A) K=0,7 dB(A)	
Lydtrykknivå ved brukerens øre $L_{PA}$	83 dB(A) K=3 dB(A)	
Garantert lyd effektnivå $L_{WA}$ (målt i henhold til 2000/14/EC)	96 dB(A)	
Verdivurdering av vibrasjon $a_n$ :	Venstre håndtak	1,35 m/s <sup>2</sup> K=1,5 m/s <sup>2</sup>
	Høyre håndtak	1,35 m/s <sup>2</sup> K=1,5 m/s <sup>2</sup>

- Den deklarerte totalverdien for vibrasjoner er målt i henhold til en standard testmetode og kan brukes til å sammenligne en maskin med en annen.
- Den oppgitte vibrasjonstotalverdien kan også brukes i en foreløpig vurdering av eksponering.

**⚠ ADVARSEL:** Vibrasjonsutslippet under faktisk bruk av maskinen kan avvike fra den deklarerte verdien som maskinen brukes i. For å beskytte operatøren bør brukeren bruke hansker og hørselvern under de faktiske bruksforholdene.

**⚠ ADVARSEL:** Behov for å identifisere sikkerhetstiltak for å beskytte operatøren som er basert på en estimering av eksponering under de faktiske bruksforholdene (som tar hensyn til alle deler av driftssyklusen, for eksempel tidspunktene når verktøyet er slått av og når det går på tomgang i tillegg til utløsertiden).

## PAKKELISTE (FIG. A1 OG A2)

DELNAVN	ANTALL
Gressklipper	1
Gresspose	1
Ramme for gresspose	1
Brukerhåndbok	1

NO

## BESKRIVELSE

### KJENN DIN KLIPPER (Fig. A1 & A2)

- Håndtak
- Sideskinne
- Håndtak-låseklemme
- Bakre utløpsdør
- Løft håndtak
- Deksel til batterirom
- LED-fronttykter
- Klippvelgerknapp
- Forhjul
- Knapp for justering av klippehøyde
- Dekk
- Luftinntak
- Bakhjul
- Hurtigjusteringsspak
- Gresspose
- Etterfølgende skjold
- Bladrotasjonsutløser
- Selvgående avtrekker
- Selvgående hurtigvalgsviser
- Knapp for bladhastighetsmodus
- På-knapp
- LED-lysknapp
- LED-frontlys-ikon
- LED-lysendikator
- Klipperstatusindikator
- Bladikon
- Indikator for knivhastighetsmodus
- Statusikon for gressklipperen

## MONTERING

**⚠ ADVARSEL:** Hvis noen av delene er skadet eller mangler, må du ikke bruke dette produktet før delene er byttet. Bruk av dette produktet med skadede eller manglende deler kan føre til alvorlig personskade.

**⚠ ADVARSEL:** For å forhindre utilsiktet start som kan forårsake alvorlig personskade, må du alltid fjerne batteripakken fra maskinen når du monterer deler.

**⚠ ADVARSEL:** Ikke prøv å tilpasse produktet eller lage tilbehør som ikke er anbefalt for bruk med dette produktet. Enhver slik endring eller modifisering er misbruk og kan føre til en farlig tilstand som kan føre til personskade.

## UTPAKKING

**NO**

- Fjern alt tilbehør fra esken.
- Ta tak i fronten av klipperen og løftehåndtaket samtidig for å løfte klipperen forsiktig opp og ut av kartongen.

## JUSTERING AV DET FELLBARE HÅNDTAKET

**⚠ ADVARSEL:** Ikke forsøk å starte klipperen før håndtaket er låst i en av de tre forhåndsinnstilte driftsposisjonene: ØVRE DRIFTSPOSISJON, MIDTERTE DRIFTSPOSISJON og NEDRE DRIFTSPOSISJON.

1. Trykk og hold hurtigjusteringsspaken for å frigjøre håndtaket fra LÅST OPPBEVARINGSPOSISJON (Fig. B1).

B1-1	Hurtigjusteringsspak
------	----------------------

2. Løft håndtaket fra den foldede posisjonen, og slipp deretter spaken. Drei håndtaket forsiktig oppover til du hører og kjenner låsepinnen gripe inn i en av følgende forskjellige posisjoner som vist i fig. B2.

B2-1	Låst posisjon for oppbevaring	B2-2	Gressoppsamler/posisjon for å ta av
B2-3	Øvre posisjon for kjøring av gressklipper	B2-4	Midtre posisjon for kjøring av gressklipper
B2-5	Nedre posisjon for kjøring av gressklipper		

3. Trekk sideskinnene helt ut og lukk håndtakslåseklemmen (Fig. B3).

**MERK:** Motoren kan ikke startes med mindre:

- Sideskinnene er helt utstrakte.
- Den grønne håndtakslåseklemmen er godt lukket.
- Håndtaket er låst i en av de tre betjeningsposisjonene.

## SAMLING AV GRESSPOSEN (Fig. C1, C2, C3)

Sjekk gressposen før montering, for å være sikker på at det ikke er skader.

Sett sammen gressposen som vist.

## KLIPPEVELGEKNAPP (Fig. D)

Plasser klipsvelgerknappen i en av de fem posisjonene for å oppnå ønsket klipperesultat.

Knotten kan justere en skyvedør fra helt åpen «BAG»-posisjon til helt lukket «MULCH»-posisjon.

Ved å justere klipsvelgerknappen kan ulike klippeforhold oppfylles.

**For å flytte knotten**, drar du knotten ut av sperren og setter den i ønsket posisjon.

**MERKNAD:** Hvis det blir lagt merke til høy motstand når du flytter klipsvelgerknappen fra side til side, kan det ha bygget seg opp for mye gress på toppen av skyvedøren. Fjern gress under klippeaggregatet etter hver bruk.

D-1	Skyvedør	D-2	«MULCH» posisjon
D-3	Klipsvelgerknapp	D-4	Posisjon «BAG».

## SKYVEDØRSPOSISJON

Skyvedøren kan plasseres for å gi forskjellige klipperesultater. For å lære forskjellen mellom posisjoner, installer en gresspose og begynn å klippe med klipsvelgerknappen helt til «BAG»-posisjonen. Sjekk utseendet til plenen. Når knotten flyttes mot «MULCH»-posisjonen, vil mer gress resirkuleres tilbake til plenen. Juster klipsvelgerknappen til ønsket resultat er oppnådd. Hybridmodusen for pakking/mulching vil resultere i et rent og fint kutt.

- **Klipsvelgerknappen i «BAG»-posisjon**, skyvedøren er helt åpen, slik at alt avklippet gress kan komme inn i posen (Fig. E1).
- **Klipsvelgerknapp i hybridposisjoner for bagging/mulching**, skyvedøren er delvis lukket. Noe avklipp vil gå inn i posen, og noe vil bli fint mulket og rettet mot bakken (Fig. E2).
- **Klipsvelgerknapp i «MULCH»-posisjon**, skyvedøren er helt lukket. Alt avklipp vil bli fint mulket og rettet til bakken (Fig. E3).

## SIDEUTLADNING

### For å feste/fjerne sideutløppssjakten (selges separat)

**MERKNAD:** Sørg for at undersiden av dekket er ren før du bruker sideutkastrennen.

- Fjern gressposen og sett klipsvelgerknappen i «BAG»-posisjon.
- Installer sideutkastrenn i klipperen som vist i fig. F.

## FULL PAGING

### For å feste/fjerne gressposen

**⚠ ADVARSEL:** Ved normal bruk er gressposematerialet utsatt for slitasje. For å redusere risikoen for skade, inspiser gressposen ofte og skift ut posen hvis det er tegn på slitasje eller forringelse. Bruk kun gressposer produsert for denne klipperen.

**LEGG MERKE TIL:** Pass på at undersiden av dekket er ren før du bruker gressposen.

- Fjern sideutløppssjakten og sett klipsvelgerknappen i «BAG»-posisjon.
- Installer gressposen i klipperen som vist i fig. G.

## FULL MULCHING (Fig. H)

- Fjern gressposen.
- Slipp bakutkastdøren.
- Sett klipsvelgerknappen i «MULCH»-posisjon.

## PAKING/MULCHING HYBRID (Fig. J)

- Fest gressposen.
- Sett klipsvelgeren i en av de tre hybridposisjonene for oppsamling/mulching.

**MERK:** Når klippevelgeren flyttes mot «MULCH»-posisjonen, vil mer gress resirkuleres tilbake til plenen.

Når klippevelgeren flyttes mot «BAG»-posisjonen, vil mer gress slippes ut gjennom det bakre utløpet i gressposen.

## JUSTERING AV KLIPPEHØYDE (Fig. K)

Hold føttene unna klippeaggregatet når du justerer klippehøyden.

Klipperen kan stilles inn til 8 klippehøyder mellom 25 mm og 105 mm. En markering indikerer valgt klippehøyde.

Velg riktig klippehøyde i henhold til typen og tilstanden til gresset som skal klippes.

1. Slå av klipperen og vent til klippebladet har stoppet helt.
2. Ta ut batteripakken.

3. Trekk spaken for justering av klippehøyde ut av sperren og sett den i ønsket posisjon.

**MERK:** For å unngå overbelastning av motoren, unngå å stille inn klippehøyden for lavt i høyt gress. Hvis motorhastigheten begynner å avta, øk klippehøyden.

## OPERASJON

Fjern alltid batteripakken fra produktet når du setter sammen deler, gjør justeringer, rengjør eller når du ikke er i bruk. Fjerning av batteripakken vil forhindre utilsiktet start som kan forårsake alvorlig personskade.

### TILKOBLE/FØRE BATTERIPAKKEN (Fig. L)

Bruk kun med EGOs batteripakker og ladere oppført i Fig. A3.

Se bruksanvisningene for tilsvarende batteripakker og ladere for mer informasjon.

### Lad helt opp før første gangs bruk

1. Løft batteriromdekselet ved å løfte fronten av dekselet.
2. **For å feste,** Juster batteriribbene med monteringssporene og trykk batteripakken ned til du hører et «klikk».
3. **For å løsne,** trykker du på batteriutløserknappen og drar batteripakken ut.
4. Lukk batteridekselet.

**MERKNAD:** Sørg for at låsen på klipperen klikker på plass og at batteripakken er festet til klipperen før du begynner.

### VELGE BLADHASTIGHETSMODUS (Fig. M)

- **Modus 2** er modus med høy bladhastighet for høy løfteytelse for å forbedre sugekraften eller kutteytelsen.
- **Modus 1** er den beste balansen mellom ytelse og kjøretid.
- **Mode ECO** gir det laveste støynivået og lengste driftstiden fra batteripakken.

**MERK:** Bladhastigheten kan ikke justeres under drift. Endringen trer i kraft først etter at motoren er stoppet og startet på nytt.

Velg mellom **modus 2, 1** eller **ECO** ved å trykke sekvensielt på knivhastighetsmodusknappen.

**MERK:** Standard bladhastighetsmodus er 1.

M-1	Bladhastighets-indikator	M-2	Knapp for bladhastighetsmodus
-----	--------------------------	-----	-------------------------------

NO

## STARTE/STOPPE KLIPPEREN

Produktet kan brukes i regn.

**⚠ ADVARSEL:** Bruk av enhver gressklipper kan føre til at fremmedlegemer blir kastet inn i øynene dine eller andre, noe som kan skade øynene alvorlig. Bruk alltid vernebriller mens du bruker klipperen eller når du utfører justeringer eller reparasjoner på klipperen.

**MERKNAD:** Bladet vil fortsette å rotere i noen sekunder etter at klipperen slås av. La motoren/bladet slutte å rotere før du starter klipperen på nytt. Ikke slå klipperen raskt av og på.

**⚠ ADVARSEL:** Stopp bladet hvis gressklipperen må vipres for transport når du krysser andre flater enn gress og når du transporterer gressklipperen til og fra området som skal klippes.

**NO**

**⚠ ADVARSEL:** Ikke vipp gressklipperen når du starter å slå på motoren, bortsett fra hvis gressklipperen må vipres for å starte. I dette tilfellet må du ikke vippe den mer enn absolutt nødvendig og løft kun den delen som er borte fra operatøren.

Før bruk, inspiser alltid visuelt for å se at bladet og bladbolten ikke er slitt eller skadet. Bytt ut slitt eller skadet blad og bolt inn settene for å bevare balansen.

### Se etter blokkering av skjærebladet

- For å unngå blokkering, hold klippebladet og klippeaggregatet rene. Fjern gressklipp, løv, skitt og annet oppsamlet rusk før og etter hver bruk.
- Når blokkering skjer, stopper du klipperen og fjerner batteripakken, og fjern deretter all oppsamling av gress og løv på eller rundt drivakselen og motorviften. Tørk klipperen ren med en fuktig klut.

**FORSIKTIG:** Ikke forsøk å overstyre driften av strømknappen og bladrotasjonsutløseren.

**MERK:** Motoren kan ikke startes med mindre håndtaket er låst i en av de tre driftsposisjonene.

## For å starte klipperen (Fig. N1 og N2)

1. Fest batteripakken til klipperen og lukk batteridekselet.
2. Trykk på strømknappen for å lyse opp dashbordet, og klipperens statusindikator – knivhastighetsindikatoren for modus **1** vil lyse.
3. Trykk på knivhastighetsmodusknappen for å velge ønsket hastighet.
4. Trykk og hold inne strømknappen.
5. Med strømknappen trykket inn, trekk i avtrekkeren for bladrotasjon for å møte håndtaket og slipp strømknappen.

## For å stoppe klipperen (fig. N3)

1. Slipp bladrotasjonsutløseren helt.
2. Den elektriske bremsen i den automatiske bremsemekanismen vil stoppe bladrotasjonen innen 3 sekunder etter at bladrotasjonsutløseren slippes.

## VARIABLE-SPEED SELF-PROPEL SYSTEM (Fig. P)

Klipperen er utstyrt med variabel hastighet, selvgående evne. Dette selvgående systemet er uavhengig av bladrotasjonen.

## For å betjene selvgående systemet uten bladrotasjon

1. Trykk på strømknappen for å belyse dashbordet.
2. Drei selvgående hastighetshjulet litt fremover til et klikk kan høres, og trykk deretter på selvgående utløseren(e). Det er to selvgående utløsere, trykk på en av dem for å starte selvgående funksjonen.

**For å slå av selvdriften,** slipper du selvgående utløseren.

P-1	Selvgående hurtigvalgsdive	P-2	Selvgående avtrekker
-----	----------------------------	-----	----------------------

## LED-HODLYS (Fig. Q)

**For å slå på frontlysene,** trykker du på LED-hovedlysknappen. Frontlyktene gir sterkt lys foran klipperen.

**For å slå av frontlysene,** trykker du på knappen igjen.



## KLIPPERSTATUSINDIKATORER (Fig. A2)

Klipperstatusindikatoren på dashbordet viser arbeidsstatusen til klipperen.

Indikator	Beskrivelse	Betydning	Handling
	Solid grønn	Klipperen fungerer som den skal.	Ingen nødvendig.
	Blinker grønt	Sideskinnene er ikke helt uttrukket.	Stopp klipperen og sørg for at sideskinnene er helt forlenget.
		Håndtaket er ikke låst i driftsstilling.	Stopp klipperen og kontroller at håndtaket er låst i en av de tre driftsstillingene.
	Blinker rødt	Lav batterilading.	Stopp klipperen og lad batteripakken.
	Solid oransje	Klipperen er overopphetet.	Slipp bøylebryteren, vent til klipperens temperatur faller under 80 °C. Se « <b>KLIPPER HØYTEMPERATURBESKYTTELSE</b> » nedenfor.
	Blinkende oransje	Klipperen er overbelastet.	<ol style="list-style-type: none"> <li>1. Ta ut batteripakken, og sjekk om det har samlet seg gress under dekket. Rengjør om nødvendig.</li> <li>2. Senk skrittet når du klipper.</li> <li>3. Øk klippehøyden.</li> <li>4. Hvis løsningene ovenfor ikke fungerer, vennligst kontakt EGO kundeservice.</li> </ol> Se « <b>OVERBELASTNINGSBESKYTTELSE FOR KLIPPEREN</b> » nedenfor.
	Blinker vekselvis rødt/grønt	Feil i klipperens elektronikk.	Kontakt EGO kundeservice.

NO

### KLIPPER HØYTEMPERATURBESKYTTELSE

Hvis klipperens temperatur overstiger 90 °C under drift, vil temperaturbeskyttelseskreten umiddelbart slå av klipperen for å forhindre overopphetingsskader.

Batteristatusindikatoren vil lyse oransje. Slipp utløseren for bladrotasjonen og vent til den overopphetede gressklipperen er avkjølt og statusindikatoren blir grønn, og start deretter gressklipperen på nytt.

### KLIPPERS OVERBELASTNINGSBESKYTTELSE

For å unngå overbelastning, skal man ikke prøve å flytte for mye gress på en gang. Senk klippetempoet eller hev klippehøyden.

Gressklipperen har innebygget overbelastningsvern. Når klipperen er overbelastet, stopper motoren og indikatoren for slåmaskinens status på klipperen blinker oransje.

## VEDLIKEHOLD

**⚠ ADVARSEL:** For å unngå alvorlig personskade, slå alltid av klipperen, ta ut batteripakken og sørg for at alle bevegelige deler har stoppet helt. før rengjøring, vedlikehold eller transport av klipperen.

**⚠ ADVARSEL:** Vedlikehold alltid maskinen regelmessig vedlikehold.

**⚠ ADVARSEL:** Stopp maskinen og fjern batteripakken for å sikre at alle bevegelige deler har stoppet helt etter å ha truffet et fremmedlegeme, og for å inspisere maskinen for skade og foreta reparasjoner før du starter og bruker maskinen på nytt.

**⚠ ADVARSEL:** Stopp maskinen og ta ut batteripakken for å forsikre deg om at alle bevegelige deler har stoppet helt, hvis maskinen begynner å vibrere unormalt, og deretter umiddelbart inspisere for skade, bytte ut eller reparere eventuelle skadede deler og for å se etter og stram eventuelle løse deler.

**⚠ ADVARSEL:** Bruk bare identiske reservedeler ved service. Bruk av andre deler kan skape fare eller forårsake produktskade. For å sikre sikkerhet og pålitelighet bør alle reparasjoner utføres av en kvalifisert servicetekniker.

## RENGJØRING AV KLIPPEREN

Undersiden av klippeaggregatet skal rengjøres etter hver bruk, der gressrester, blader, skitt og annet rusk samler seg.

Fjern eventuell oppsamling av gress og løv på eller rundt drivakselen og motorviften. Tørk klipperen ren med en fuktig klut.

## BYTTE BLADSETTET (Fig. R1, R2, R3)

**⚠ ADVARSEL:** Fjern alltid batteripakken og gressposen.

**⚠ ADVARSEL:** Bruk alltid vernehansker.

**MERKNAD:** Rengjør drivakselområdet og undersiden av maskinen grundig før du installerer knivsettet.

1. Snu klipperen opp ned.
2. Fjern/installer knivsettet med en momentnøkkel og to metallstenger som hjelp som illustrert.
3. Den trykte bladsiden mot utsiden.

## OPPBEVARING AV KLIPPEREN (Fig. S1 & S2)

- Fjern batteripakken fra klipperen og oppbevar den på et kjølig, tørt og rent sted. Ikke oppbevar den ved siden av etsende stoffer, så som gjødsel eller steinsalt.
- Tøm gressposen før oppbevaring.
- La alltid klipperen avkjøles før oppbevaring.
- Rengjøring og vedlikehold før lagring.
- Oppbevar klipperen tildekket i et lukket rom, kjølig, tørt og utilgjengelig for barn.
- Ikke dekk til gressklipperen med solide plastplater. Plastbelegg fanger opp fuktighet rundt klipperen, noe som forårsaker rust og korrosjon.
- Klipperen kan lagres flatt eller stående (Fig. S1 & S2).

**⚠ ADVARSEL:** Hvis klipperen begynner å velte fra oppreist stilling, kan klipperen få skader eller det kan føre til personskader. Hold alltid klipperen stabil og utilgjengelig for barn når den er i oppreist stilling. Hvis mulig, legg den flatt ved lagring.

## BESKYTTER MILJØET



Ikke kast elektriske apparater som usortert kommunalt avfall, bruk separate innsamlingsanlegg.

Kontakt lokale myndigheter for informasjon om tilgjengelige innsamlingsystemer.

Hvis elektriske apparater kastes på søppefyllinger eller søppefyllinger, kan farlige stoffer lekke ut i grunnvannet og komme inn i næringskjeden og skade helsen og velværet.

NO

## FEILSØKING

PROBLEM	ÅRSAKEN	LØSNING
Klipperen eller selvgående funksjonen starter ikke.	<ul style="list-style-type: none"> <li>▪ Batteripakkens ladning er oppbrukt.</li> </ul>	<ul style="list-style-type: none"> <li>▪ Lad batteripakken.</li> </ul>
	<ul style="list-style-type: none"> <li>▪ Batteripakken er ikke riktig satt inn i batterirommet.</li> </ul>	<ul style="list-style-type: none"> <li>▪ Sett batteripakken inn i batterirommet til du hører et «klikk».</li> </ul>
	<ul style="list-style-type: none"> <li>▪ Håndtaket er ikke låst i betjeningsstilling, og statusindikatoren for klipperen blinker grønt.</li> </ul>	<ul style="list-style-type: none"> <li>▪ Stopp klipperen og sørg for at håndtaket er låst i driftsstilling.</li> </ul>
	<ul style="list-style-type: none"> <li>▪ Klippeenheten er tett med gress og rusk.</li> </ul>	<ul style="list-style-type: none"> <li>▪ Rengjør klippeaggregatet og sørg for at knivsettet har bevegelsesfrihet.</li> </ul>
Klipperen klipper ujevnt.	<ul style="list-style-type: none"> <li>▪ Bladsettet er matt.</li> </ul>	<ul style="list-style-type: none"> <li>▪ Slip eller bytt ut knivsettet.</li> </ul>
	<ul style="list-style-type: none"> <li>▪ Klippehøyden er ikke riktig innstilt.</li> </ul>	<ul style="list-style-type: none"> <li>▪ Flytt dekkhøyden til en høyere innstilling.</li> </ul>
	<ul style="list-style-type: none"> <li>▪ Bladsettet er feil installert.</li> </ul>	<ul style="list-style-type: none"> <li>▪ Installer knivsettet på nytt, følg avsnittet «<b>BYTTE BLADSETTET</b>» i denne håndboken.</li> </ul>
	<ul style="list-style-type: none"> <li>▪ Bladhastighetsmodusen er ikke riktig innstilt.</li> </ul>	<ul style="list-style-type: none"> <li>▪ Velg riktig bladhastighetsmodus.</li> </ul>
Slåmaskinen klipper ikke ordentlig.	<ul style="list-style-type: none"> <li>▪ Vått gressklipp fester seg til undersiden av dekket.</li> </ul>	<ul style="list-style-type: none"> <li>▪ Vent til gresset tørker før du klipper.</li> </ul>
	<ul style="list-style-type: none"> <li>▪ Klipperen er satt til å klippe for mye gress på en gang.</li> </ul>	<ul style="list-style-type: none"> <li>▪ Hev klippeaggregatet til en høyere klippehøydeinnstilling.</li> </ul>
	<ul style="list-style-type: none"> <li>▪ Bladhastighetsmodusen er ikke riktig innstilt.</li> </ul>	<ul style="list-style-type: none"> <li>▪ Velg bladhastigheten til en lavere innstilling.</li> </ul>

NO

PROBLEM	ÅRSAKEN	LØSNING
Gressklipperen stopper uventet under klipping.	<ul style="list-style-type: none"> <li>■ Batteripakkens ladning er oppbrukt.</li> </ul>	<ul style="list-style-type: none"> <li>■ Lad batteripakken.</li> </ul>
	<ul style="list-style-type: none"> <li>■ Gressklipperen er overbelastet, og statusindikatoren for klipperen blinker oransje.</li> </ul>	<ul style="list-style-type: none"> <li>■ Sjekk om gresset har samlet seg under dekk og rengjør om nødvendig. Hev klippehøyden eller klipp saktere.</li> </ul>
	<ul style="list-style-type: none"> <li>■ Klippeaggregatet er tilstoppet med gress og rusk.</li> </ul>	<ul style="list-style-type: none"> <li>■ Frigjør klippeaggregatet. Hev klippehøyden og/eller klipp et smalere skår.</li> </ul>
	<ul style="list-style-type: none"> <li>■ Batteripakken eller klipperen er for varm. Hvis batteripakken er overopphetet, går klipperens statusindikator av. Hvis gressklipperen er overopphetet, lyser gressklipperens statusindikator oransje.</li> </ul>	<ul style="list-style-type: none"> <li>■ La batteripakken eller klipperen avkjøles.</li> </ul>
	<ul style="list-style-type: none"> <li>■ Bladhastighetsmodusen er ikke riktig innstilt.</li> </ul>	<ul style="list-style-type: none"> <li>■ Velg bladhastigheten til en lavere innstilling.</li> </ul>
	<ul style="list-style-type: none"> <li>■ Feilen i klipperens elektronikk og statusindikatoren for gressklipperen blinker vekselvis rødt/grønt.</li> </ul>	<ul style="list-style-type: none"> <li>■ Kontakt EGO-servicesenteret.</li> </ul>
Det er overdreven vibrasjon.	<ul style="list-style-type: none"> <li>■ Skjærebladsettet er løst.</li> </ul>	<ul style="list-style-type: none"> <li>■ Stram bladbolten.</li> </ul>
	<ul style="list-style-type: none"> <li>■ Skjærebladsettet er ubalansert.</li> </ul>	<ul style="list-style-type: none"> <li>■ Kontakt EGO-servicesenteret.</li> </ul>
	<ul style="list-style-type: none"> <li>■ Skjærebladet er bøyd.</li> </ul>	<ul style="list-style-type: none"> <li>■ Skift ut bladet.</li> </ul>
	<ul style="list-style-type: none"> <li>■ Motorakselen er bøyd.</li> </ul>	<ul style="list-style-type: none"> <li>■ Kontakt EGO-servicesenteret.</li> </ul>
	<ul style="list-style-type: none"> <li>■ Klipperen er satt til å klippe for mye gress på en gang.</li> </ul>	<ul style="list-style-type: none"> <li>■ Hev klippeaggregatet til en høyere klippehøydeinnstilling.</li> </ul>
	<ul style="list-style-type: none"> <li>■ Bladhastighetsmodusen er ikke riktig innstilt.</li> </ul>	<ul style="list-style-type: none"> <li>■ Sett bladhastigheten til en lavere innstilling.</li> </ul>
Motoren fungerer, men knivsettet klipper ikke gresset.	<ul style="list-style-type: none"> <li>■ Bladsettet er ikke strammet til nødvendig moment.</li> </ul>	<ul style="list-style-type: none"> <li>■ Stram til knivsettet igjen. Anbefalt dreiemoment for bladbolten er 50-60 Nm.</li> </ul>
Vanskeligheter med å flytte klipsvelgerknappen fra side til side.	<ul style="list-style-type: none"> <li>■ Overflødig gressklipp har samlet seg på toppen av glidningen.</li> </ul>	<ul style="list-style-type: none"> <li>■ Fjern gress fra klippeaggregatet etter hver bruksdør.</li> </ul>

**NO**

## GARANTI

### EGO GARANTIPOLITIK

Besøk nettstedet [egopowerplus.eu](http://egopowerplus.eu) for fullstendige vilkår og betingelser for EGOs garantipolicy.

## ПРОЧИТАЙТЕ ВСЕ ИНСТРУКЦИИ!

**Назначение.** Устройство предназначено для ручной стрижки травы.

- Используйте только для скашивания сухой травы. Не косите мокрую траву.
- Не используйте устройство для других целей.

**⚠ ПРЕДУПРЕЖДЕНИЕ.** Перед использованием устройства внимательно прочитайте все инструкции в данном руководстве пользователя и ознакомьтесь с предупреждающими символами безопасности, такими как «ОПАСНОСТЬ», «ПРЕДУПРЕЖДЕНИЕ» и «ВНИМАНИЕ». Несоблюдение всех приведенных ниже инструкций может привести к поражению электрическим током, возникновению пожара и (или) получению серьезных травм.

## СИМВОЛЫ БЕЗОПАСНОСТИ



Предупреждение об опасности



При работе с данным устройством всегда используйте средства защиты органов слуха, защиту для глаз или защитные очки с боковыми щитками и полнопрофильную защитную маску.



Остерегайтесь отбрасываемых объектов. Не позволяйте посторонним находиться поблизости.



Держите руки подальше.



Гарантированный уровень звуковой мощности.



Данное изделие соответствует действующему законодательству Великобритании.

IPX4

Защита от брызг воды

mm

Миллиметр



Постоянный ток



Чтобы уменьшить риск получения травм, перед использованием устройства необходимо прочитать и понять руководство по эксплуатации.



Перед настройкой или очисткой устройства выключите его и извлеките аккумулятор (или отключающее устройство).



Держите руки и ноги подальше от режущих элементов.



Не смотрите непосредственно на включенную лампу.



Соответствует основным требованиям стандартов безопасности Европейских директив.



Неисправные электрические устройства нельзя выбрасывать вместе с бытовым мусором. Сдавайте их в авторизованные пункты сбора и утилизации.

V

Вольт

cm


Сантиметр

kg

Килограмм

RU

## ТЕХНИЧЕСКИЕ ХАРАКТЕРИСТИКИ

Напряжение	56 В 	
Режим скорости вращения режущего элемента	2	
	1	
	ЭКО	
Положения высоты скашивания	8	
Значения высоты скашивания	25 мм/33 мм/43 мм/ 54 мм/66 мм/79 мм/ 92 мм/105 мм	
Ширина скашивания	55 см	
Объем травосборника	85 л	
Масса газонокосилки (с травосборником и аккумулятором BA6720T)	37 кг	
Модель режущих элементов	AB2212D-E	
Рекомендуемая рабочая температура	От 0 до 40 °C	
Рекомендуемая температура хранения	От -20 до 70 °C	
Измеренный уровень звуковой мощности $L_{WA}$	95 дБ(A)	
	K=0,7 дБ (A)	
Уровень звукового давления на уши оператора $L_{PA}$	83 дБ (A)	
	K=3 дБ (A)	
Гарантированный уровень звуковой мощности $L_{WA}$ (измерен в соответствии с 2000/14/EC)	96 дБ (A)	
Значение вибрации $a_v$ :	Левая рукоятка	1,35 м/с <sup>2</sup> K=1,5 м/с <sup>2</sup>
	Правая рукоятка	1,35 м/с <sup>2</sup> K=1,5 м/с <sup>2</sup>

- Указанное общее значение вибрации было определено с помощью стандартного теста и может быть использовано для сравнения разных устройств.

- Указанное общее значение вибрации также может использоваться для предварительной оценки уровня воздействия.

**⚠ ПРЕДУПРЕЖДЕНИЕ.** Реальное вибрационное воздействие устройства может отличаться от указанного в зависимости от способа использования. В целях безопасности оператор должен надевать перчатки и средства защиты органов слуха во время использования устройства.

**⚠ ПРЕДУПРЕЖДЕНИЕ.** Необходимо определить меры безопасности для защиты оператора на основе оценки воздействия в реальных условиях использования (учитывая все периоды рабочего цикла — время, когда инструмент выключен и когда он работает вхолостую, а также время запуска).

## КОМПЛЕКТ ПОСТАВКИ (РИС. A1 И A2)

НАЗВАНИЕ ДЕТАЛИ	КОЛИЧЕСТВО
Газонокосилка	1
Травосборник	1
Каркас травосборника	1
Руководство по эксплуатации	1

## ОПИСАНИЕ

### ЧАСТИ ГАЗОНОКОСИЛКИ (Рис. A1 и A2)

1. Рукоятка
2. Боковая штанга
3. Фиксатор рукоятки
4. Дверца заднего разгрузочного отверстия
5. Рукоятка для транспортировки
6. Крышка аккумуляторного отсека
7. Светодиодные фары
8. Ручка выбора режима
9. Переднее колесо
10. Регулятор высоты среза
11. Платформа
12. Воздухозаборник
13. Заднее колесо
14. Рычаг быстрой регулировки
15. Травосборник
16. Задний щиток
17. Рычаг управления вращением режущих элементов
18. Рычаг активации самоходной функции

19. Регулятор скорости самоходного режима
20. Кнопка режима скорости вращения режущего элемента
21. Кнопка питания
22. Кнопка светодиодных фар
23. Значок светодиодных фар
24. Индикатор светодиодных фар
25. Индикатор состояния газонокосилки
26. Значок режущего элемента
27. Индикатор режима скорости вращения режущего элемента
28. Значок состояния газонокосилки

2. Поднимите рукоятку из сложенного положения, затем отпустите рычаг. Осторожно поворачивайте рукоятку вверх, пока не услышите и не почувствуете, что стопорный штифт вошел в одно из следующих положений, как показано на Рис. В2.

B2-1	Заблокированное положение для хранения	B2-2	Положение для установки и демонтажа травосборника
B2-3	Верхнее рабочее положение	B2-4	Среднее рабочее положение
B2-5	Нижнее рабочее положение		

3. Полностью вытяните боковые штанги и закройте фиксатор рукоятки (Рис. В3).

**ПРИМЕЧАНИЕ.** Двигатель не будет запускаться в следующих случаях.

- Если боковые штанги не вытянуты полностью.
- Если зеленый фиксатор рукоятки не закрыт.
- Если рукоятка не зафиксирована в одном из трех рабочих положений.

### СБОРКА ТРАВΟΣБОРНИКА (Рис. С1, С2, С3)

Перед сборкой проверьте травосборник и убедитесь в отсутствии повреждений.

Соберите травосборник, как показано на рисунке.

### РУЧКА ВЫБОРА РЕЖИМА (Рис. D)

Установите ручку выбора режима в одно из пяти положений, чтобы добиться желаемых результатов скашивания.

С помощью ручки можно отрегулировать раздвижную дверцу от полностью открытого положения «BAG» до полностью закрытого положения «MULCH».

С помощью ручки выбора режима можно выполнить различные условия скашивания.

**Чтобы изменить положение ручки,** вытяните ее из фиксатора и установите в нужное положение.

**ПРИМЕЧАНИЕ.** Если при перемещении ручки выбора режима из стороны в сторону ощущается большое сопротивление, возможно, на верхней части раздвижной дверцы скопилось слишком много травы. После каждого использования убирайте траву под платформой газонокосилки.

## СБОРКА

**⚠ ПРЕДУПРЕЖДЕНИЕ.** Если какие-либо части повреждены или отсутствуют, не используйте устройство, пока они не будут установлены. Использование устройства с поврежденными или отсутствующими частями может привести к серьезным травмам.

**⚠ ПРЕДУПРЕЖДЕНИЕ.** Чтобы предотвратить случайное включение устройства и получение серьезной травмы, перед сборкой извлеките аккумулятор.

**⚠ ПРЕДУПРЕЖДЕНИЕ.** Не пытайтесь изменять конструкцию газонокосилки или применять не рекомендованные для нее дополнительные приспособления. Подобное изменение считается ненадлежащим использованием и способствует возникновению опасной ситуации, которая приведет к серьезной травме.

### РАСПАКОВКА

- Извлеките все части из упаковки.
- Возьмитесь одновременно за переднюю часть газонокосилки и рукоятку для транспортировки, чтобы осторожно поднять газонокосилку вверх и извлечь ее из коробки.

### РЕГУЛИРОВКА СКЛАДНОЙ РУКОЯТКИ

**⚠ ПРЕДУПРЕЖДЕНИЕ.** Не запускайте газонокосилку, если рукоятка не зафиксирована в одном из трех рабочих положений: ВЕРХНЕМ, СРЕДНЕМ или НИЖНЕМ.

1. Нажмите и удерживайте рычаг быстрой регулировки, чтобы освободить рукоятку из ЗАБЛОКИРОВАННОГО положения (Рис. В1).

B1-1	Рычаг быстрой регулировки
------	---------------------------

D-1	Раздвижная дверца	D-2	Положение «MULCH»
D-3	Ручка выбора режима	D-4	Положение «BAG»

## ПОЛОЖЕНИЕ РАЗДВИЖНОЙ ДВЕРЦЫ

Раздвижная дверца может быть установлена для получения различных результатов скашивания. Чтобы узнать разницу между положениями, установите травосборник и начните косить, установив ручку выбора режима в положение «BAG». Проверьте внешний вид газона. При перемещении ручки в положение «MULCH» больше травы будет возвращено на газон. Отрегулируйте ручку выбора режима таким образом, чтобы получить желаемый результат. Гибридный режим использования травосборника и мульчирования обеспечивает чистый и тонкий срез.

- Ручка выбора режима в положении «BAG», раздвижная дверца полностью открыта, вся скошенная трава попадает в травосборник (Рис. E1).
- Ручка выбора режима в гибридном положении для травосборника/мульчирования, раздвижная дверца частично закрыта. Часть срезанной травы попадет в травосборник, часть мелко мульчируется и попадает на землю (Рис. E2).
- Ручка выбора режима в положении «MULCH», раздвижная дверца полностью закрыта. Вся срезанная трава мелко мульчируется и попадает на землю (Рис. E3).

## БОКОВАЯ РАЗГРУЗКА

Установка и извлечение бокового разгрузочного желоба (продается отдельно)

**ПРИМЕЧАНИЕ.** Перед использованием бокового разгрузочного желоба убедитесь, что нижняя часть платформы чистая.

- Снимите травосборник и установите ручку выбора режима в положение «BAG».
- Установите боковой разгрузочный желоб в газонокосилку, как показано на Рис. F.

## ТОЛЬКО ТРАВΟΣБОРНИК

Установка и снятие травосборника

**⚠ ПРЕДУПРЕЖДЕНИЕ.** В процессе нормальной эксплуатации материал, из которого изготовлен травосборник, изнашивается. Для снижения риска получения травм регулярно проверяйте состояние травосборника. При обнаружении признаков износа

замените его. Используйте только травосборники, предназначенные для данной газонокосилки.

**ПРИМЕЧАНИЕ.** Перед использованием травосборника убедитесь, что нижняя часть платформы чистая.

- Снимите боковой разгрузочный желоб и установите ручку выбора режима в положение «BAG».
- Установите травосборник в газонокосилку, как показано на Рис. G.

## ТОЛЬКО МУЛЬЧИРОВАНИЕ (Рис. H)

- Снимите травосборник.
- Опустите дверцу заднего разгрузочного отверстия.
- Установите ручку выбора режима в положение «MULCH».

## ИСПОЛЬЗОВАНИЕ ТРАВΟΣБОРНИКА И МУЛЬЧИРОВАНИЯ (Рис. J)

- Установите травосборник.
- Установите ручку выбора режима в одно из трех положений для использования травосборника и мульчирования.

**ПРИМЕЧАНИЕ.** При перемещении ручки выбора режима в положение «MULCH» больше травы будет возвращено на газон.

При перемещении ручки выбора режима в положение «BAG» больше травы будет выгружаться через заднее разгрузочное отверстие в травосборник.

## РЕГУЛИРОВКА ВЫСОТЫ СКАШИВАНИЯ (Рис. K)

Не подставляйте ноги под платформу во время регулировки высоты скашивания.

Можно выбрать один из 8 вариантов высоты скашивания от 25 до 105 мм. Маркировка указывает выбранную высоту скашивания.

Выбирайте высоту скашивания исходя из типа и состояния травы.

1. Выключите газонокосилку и дождитесь полной остановки режущего элемента.
2. Извлеките аккумулятор.
3. Вытяните рычаг регулировки высоты скашивания из фиксатора и установите его в нужное положение.

**ПРИМЕЧАНИЕ.** Чтобы не перегружать двигатель, не устанавливайте слишком низкую высоту скашивания в высокой траве. Если обороты двигателя начинают снижаться, увеличьте высоту скашивания.



## ИСПОЛЬЗОВАНИЕ

Перед сборкой, регулировкой, очисткой, а также когда устройство не используется, всегда извлекайте из него аккумулятор. Извлечение аккумулятора поможет предотвратить непредвиденный запуск устройства, который может привести к серьезным травмам.

### УСТАНОВКА И ИЗВЛЕЧЕНИЕ АККУМУЛЯТОРА (Рис. L)

Используйте только аккумуляторы и зарядные устройства EGO, указанные на Рис. АЗ.

Подробнее см. в соответствующих руководствах по эксплуатации аккумулятора и зарядного устройства.

### Перед первым использованием полностью зарядите аккумулятор

1. Поднимите крышку аккумуляторного отсека за переднюю часть.
2. **Установка:** совместите ребра аккумулятора с крепежными отверстиями и вставьте аккумулятор до щелчка.
3. **Снятие:** нажмите кнопку фиксации аккумулятора и извлеките аккумулятор.
4. Закройте крышку аккумуляторного отсека.

**ПРИМЕЧАНИЕ.** Перед началом работы убедитесь, что фиксатор защелкнулся на месте и аккумулятор надежно закреплен.

### ВЫБОР РЕЖИМА СКОРОСТИ ВРАЩЕНИЯ РЕЖУЩЕГО ЭЛЕМЕНТА (Рис. М)

- **Режим 2** — это режим высокой скорости вращения режущего элемента для повышения мощности всасывания или производительности резки.
- **Режим 1** — это оптимальный баланс между производительностью и временем работы.
- **Режим ECO** обеспечивает самый низкий уровень шума и максимальное время работы от аккумулятора.

**ПРИМЕЧАНИЕ.** Скорость вращения режущего элемента не регулируется во время работы. Изменение вступит в силу только после остановки и повторного запуска двигателя.

Для выбора режима **2, 1** или **ECO** последовательно нажимайте кнопку режима скорости вращения режущего элемента.

**ПРИМЕЧАНИЕ.** Режимом по умолчанию является **1**.

M-1	Индикатор скорости работы режущего элемента	M-2	Кнопка режима скорости вращения режущего элемента
-----	---	-----	---

### ЗАПУСК И ОСТАНОВКА ГАЗОНОКОСИЛКИ

Устройство можно использовать во время дождя.

**⚠ ПРЕДУПРЕЖДЕНИЕ.** В результате работы газонокосилки в глаза могут попасть посторонние предметы, что приведет к серьезному повреждению глаз. Перед использованием устройства, а также для проведения регулировки или ремонта обязательно надевайте защитные очки.

**ПРИМЕЧАНИЕ.** Режущий элемент продолжает вращаться в течение нескольких секунд после выключения газонокосилки. Прежде чем снова включать устройство, дождитесь остановки двигателя и режущего элемента. Не включайте устройство сразу после выключения.

**⚠ ПРЕДУПРЕЖДЕНИЕ.** Чтобы наклонить устройство для транспортировки через нетравянистый участок, а также для транспортировки на участок для обработки и с него, остановите вращающиеся лезвия.

**⚠ ПРЕДУПРЕЖДЕНИЕ.** Не наклоняйте газонокосилку при запуске двигателя, за исключением случаев, когда газонокосилка должна быть наклонена для запуска. В этом случае наклоняйте устройство в сторону от себя и не выше, чем требуется.

Перед использованием всегда визуально проверяйте режущий элемент и его болт на предмет износа и повреждений. Заменяйте изношенные и поврежденные режущие элементы и болты сразу комплектом, чтобы не нарушать балансировку.

**Проверьте, не засорился ли режущий элемент.**

- Для предотвращения засорения следите за чистотой режущего элемента и платформы косилки. Убирайте скошенную траву, листья, грязь и любой другой накопившийся мусор до и после каждого использования.
- При засорении остановите газонокосилку и извлеките аккумулятор, затем удалите скопления травы и листьев с приводного вала и вентилятора двигателя. Протирайте газонокосилку начисто влажной тканью.

**ВНИМАНИЕ!** Не вмешивайтесь в работу кнопки питания и рычага управления вращением режущих элементов.

RU

**ПРИМЕЧАНИЕ.** Двигатель не может быть запущен, пока рукоятка не заблокирована в одном из трех рабочих положений.

### Запуск газонокосилки (Рис. N1 и N2)

1. Установите аккумулятор в газонокосилку и закройте крышку аккумуляторного отсека.
2. Нажмите кнопку питания, чтобы включить приборную панель. Будут светиться индикатор состояния газонокосилки и индикатор скорости работы режущего элемента для режима 1.
3. Нажмите кнопку режима скорости вращения режущего элемента и выберите желаемую скорость.
4. Нажмите и удерживайте кнопку питания.
5. Удерживая кнопку питания, потяните рычаг управления вращением режущих элементов по направлению к рукоятке, затем отпустите кнопку питания.

RU

### Остановка газонокосилки (Рис. N3)

1. Полностью отпустите рычаг управления вращением режущих элементов.
2. Электрический тормоз автоматического тормозного механизма остановит вращение режущего элемента в течение 3 секунд после отпускания рычага управления вращением режущих элементов.

### СИСТЕМА РЕГУЛИРОВКИ СКОРОСТИ ДЛЯ САМОХОДНОГО РЕЖИМА (Рис. P)

Косилка оборудована системой регулировки скорости для самоходного режима. Эта система не зависит от вращения режущего элемента.

#### Использование самоходной функции без вращения режущего элемента

1. Нажмите кнопку питания, чтобы включить приборную панель.
2. Слегка поверните регулятор скорости самоходного режима вперед, пока не раздается щелчок, затем нажмите рычаг активации самоходной функции. Устройство имеет два рычага активации самоходной функции, можно использовать любой из них.

**Чтобы выключить самоходную функцию,** отпустите рычаг активации самоходной функции.

P-1	Регулятор скорости самоходного режима	P-2	Рычаг активации самоходной функции
-----	---------------------------------------	-----	------------------------------------



### СВЕТОДИОДНЫЕ ФАРЫ (Рис. Q)

**Чтобы включить фары,** нажмите кнопку светодиодных фар. Фары ярко освещают пространство перед газонокосилкой.

**Чтобы выключить фары,** нажмите кнопку еще раз.

### ИНДИКАТОРЫ СОСТОЯНИЯ ГАЗОНОКОСИЛКИ (Рис. A2)

Индикатор состояния косилки на приборной панели отображает рабочее состояние косилки.

Индикатор	Описание	Значение	Действие
	Светится зеленым	Газонокосилка работает нормально.	Не требуется.
	Мигает зеленым	Боковые штанги не вытянуты полностью.	Остановите газонокосилку и убедитесь, что боковые штанги вытянуты полностью.
		Рукоятка не зафиксирована в рабочем положении.	Остановите газонокосилку и убедитесь, что рукоятка зафиксирована в одном из трех рабочих положений.
	Мигает красным	Низкий уровень заряда аккумулятора.	Остановите газонокосилку и зарядите аккумулятор.

Индикатор	Описание	Значение	Действие
	Светится оранжевым	Газонокосилка перегрелась.	Отпустите рычаг и дождитесь, пока температура газонокосилки не упадет ниже 80 °С. См. раздел « <b>ЗАЩИТА ГАЗОНОКОСИЛКИ ОТ ПЕРЕГРЕВА</b> ».
	Мигает оранжевым	Газонокосилка перегружена.	<ol style="list-style-type: none"> <li>1. Извлеките аккумулятор и проверьте, не скопилось ли трава под платформой. При необходимости очистите.</li> <li>2. Замедлите скорость движения газонокосилки.</li> <li>3. Увеличьте высоту скашивания.</li> <li>4. Если это не помогло, обратитесь в сервисный центр EGO.</li> </ol> См. раздел « <b>ЗАЩИТА ГАЗОНОКОСИЛКИ ОТ ПЕРЕГРУЗКИ</b> ».
	Попеременно мигает красным и зеленым	Ошибка электроники газонокосилки.	Обратитесь в сервисный центр EGO.

**RU**

### ЗАЩИТА ГАЗОНОКОСИЛКИ ОТ ПЕРЕГРЕВА

Если во время работы температура газонокосилки превышает 90 °С, система защиты немедленно отключает ее для защиты от повреждения.

Индикатор состояния газонокосилки будет светиться оранжевым. Отпустите рычаг управления вращением режущих элементов и подождите, пока газонокосилка остынет и индикатор состояния станет зеленым, затем перезапустите устройство.

### ЗАЩИТА ГАЗОНОКОСИЛКИ ОТ ПЕРЕГРУЗКИ

Для защиты устройства от перегрузки старайтесь не скашивать очень много травы за один проход. Замедлите скорость движения и увеличьте высоту скашивания.

Газонокосилка оборудована встроенной системой защиты электрических компонентов от перегрузки. В случае перегрузки двигатель останавливается, а индикатор состояния газонокосилки на приборной панели мигает оранжевым светом.

## ОБСЛУЖИВАНИЕ

**⚠ ПРЕДУПРЕЖДЕНИЕ.** Во избежание серьезных травм перед очисткой, выполнением любого технического обслуживания или транспортировкой необходимо выключить газонокосилку, извлечь аккумулятор и убедиться, что все движущиеся части полностью остановились.

**⚠ ПРЕДУПРЕЖДЕНИЕ.** Регулярное выполняйте техническое обслуживание устройства.

**⚠ ПРЕДУПРЕЖДЕНИЕ.** После столкновения с посторонним предметом остановите устройство и извлеките аккумулятор, чтобы убедиться, что все движущиеся части полностью остановились. Перед повторным запуском и эксплуатацией осмотрите устройство на наличие повреждений и при необходимости отремонтируйте.

**⚠ ПРЕДУПРЕЖДЕНИЕ.** В случае чрезмерной вибрации устройства остановите его и извлеките аккумуляторную батарею, чтобы убедиться, что все движущиеся части полностью остановились. Затем немедленно осмотрите устройство на наличие повреждений, замените или отремонтируйте поврежденные части, проверьте и затяните все ослабленные детали.

**⚠ ПРЕДУПРЕЖДЕНИЕ.** При ремонте используйте только идентичные запасные части. Использование других запасных частей может привести к возникновению опасной ситуации или повреждению устройства. Для обеспечения безопасности и надежности устройства его ремонт должен выполнять квалифицированный специалист.

## ОЧИСТКА ГАЗОНОКОСИЛКИ

Нижнюю поверхность платформы газонокосилки необходимо очищать после каждого использования, так как там скапливаются обрезки травы, листья и другой мусор.

Удалите все накопившиеся отложения травы и листьев с приводного вала и вентилятора двигателя. Протирайте газонокосилку начисто влажной тканью.

## ЗАМЕНА КОМПЛЕКТА РЕЖУЩИХ ЭЛЕМЕНТОВ (Рис. R1, R2, R3)

**⚠ ПРЕДУПРЕЖДЕНИЕ.** Обязательно извлеките аккумулятор и травосборник.

**⚠ ПРЕДУПРЕЖДЕНИЕ.** Всегда используйте защитные перчатки.

**ПРИМЕЧАНИЕ.** Перед установкой комплекта режущих элементов тщательно очистите приводной вал и нижнюю часть косилки.

1. Переверните газонокосилку вверх дном.
2. Снимите или установите комплект режущих элементов с помощью динамометрического ключа и двух металлических стержней, как показано на рисунке.
3. Сторона режущего элемента с маркировкой направлена наружу.

## ХРАНЕНИЕ ГАЗОНОКОСИЛКИ (Рис. S1 и S2)

- Извлеките из устройства аккумулятор и поместите газонокосилку в прохладное, сухое и чистое место. Не храните устройство рядом с веществами, вызывающими коррозию, такими как удобрения или каменная соль.
- Перед хранением опорожните травосборник.
- Перед помещением устройства на хранение всегда дожидайтесь, пока оно остынет.
- Очистка и обслуживание перед хранением.
- Храните газонокосилку в закрытом прохладном и сухом месте, недоступном для детей.
- Не накрывайте газонокосилку сплошными пластиковыми листами. Пластиковая защита может способствовать скоплению влаги, что приведет к образованию ржавчины.
- Газонокосилку можно хранить в горизонтальном или вертикальном положении (Рис. S1 и S2).

**⚠ ПРЕДУПРЕЖДЕНИЕ.** Если вертикально стоящее устройство наклоняется, оно может упасть. Это может привести к получению травм и поломке газонокосилки. При вертикальном размещении следите за тем, чтобы устройство находилось в устойчивом положении и было недоступно для детей. По возможности старайтесь хранить устройство в горизонтальном положении.

## ОХРАНА ОКРУЖАЮЩЕЙ СРЕДЫ



Не выбрасывайте электроприборы вместе с неотсортированными городскими отходами; пользуйтесь специальными пунктами сбора вторсырья.

Для получения информации о доступных пунктах сбора вторсырья свяжитесь с представителями местных органов власти.

При утилизации электрических устройств на свалках в подземные воды могут просочиться опасные вещества, которые затем попадут в пищевую цепь и приведут к общему ухудшению здоровья и благополучия.

## УСТРАНЕНИЕ НЕПОЛАДОК

ПРОБЛЕМА	ПРИЧИНА	РЕШЕНИЕ
Газонокосилка или самоходная функция не запускается.	<ul style="list-style-type: none"> <li>■ Аккумулятор разряжен.</li> </ul>	<ul style="list-style-type: none"> <li>■ Зарядите аккумулятор.</li> </ul>
	<ul style="list-style-type: none"> <li>■ Аккумулятор неправильно установлен в отсек.</li> </ul>	<ul style="list-style-type: none"> <li>■ Вставьте аккумулятор в отсек до щелчка.</li> </ul>
	<ul style="list-style-type: none"> <li>■ Рукоятка не зафиксирована в рабочем положении, а индикатор состояния косилки мигает зеленым.</li> </ul>	<ul style="list-style-type: none"> <li>■ Остановите газонокосилку и убедитесь, что рукоятка зафиксирована в рабочем положении.</li> </ul>
	<ul style="list-style-type: none"> <li>■ Платформа косилки забита травой и мусором.</li> </ul>	<ul style="list-style-type: none"> <li>■ Очистите платформу устройства и убедитесь, что комплект режущих элементов свободно перемещается.</li> </ul>
Газонокосилка срезает траву неравномерно.	<ul style="list-style-type: none"> <li>■ Комплект режущих элементов не сбалансирован.</li> </ul>	<ul style="list-style-type: none"> <li>■ Заточите или замените комплект режущих элементов.</li> </ul>
	<ul style="list-style-type: none"> <li>■ Неправильно установлена высота скашивания.</li> </ul>	<ul style="list-style-type: none"> <li>■ Установите платформу в более высокое положение.</li> </ul>
	<ul style="list-style-type: none"> <li>■ Комплект режущих элементов установлен неправильно.</li> </ul>	<ul style="list-style-type: none"> <li>■ Переустановите комплект режущих элементов, как описано в разделе «ЗАМЕНА КОМПЛЕКТА РЕЖУЩИХ ЭЛЕМЕНТОВ» настоящего руководства.</li> </ul>
	<ul style="list-style-type: none"> <li>■ Неправильно установлен режим скорости вращения режущего элемента.</li> </ul>	<ul style="list-style-type: none"> <li>■ Выберите подходящий режим скорости вращения режущего элемента.</li> </ul>
Газонокосилка не делает мульчу должным образом.	<ul style="list-style-type: none"> <li>■ На внутреннюю поверхность платформы налипла срезанная трава.</li> </ul>	<ul style="list-style-type: none"> <li>■ Перед скашиванием дождитесь высыхания травы.</li> </ul>
	<ul style="list-style-type: none"> <li>■ Газонокосилка отрегулирована так, что срезает слишком много травы за один заход.</li> </ul>	<ul style="list-style-type: none"> <li>■ Поднимите платформу повыше.</li> </ul>
	<ul style="list-style-type: none"> <li>■ Неправильно установлен режим скорости вращения режущего элемента.</li> </ul>	<ul style="list-style-type: none"> <li>■ Выберите меньшее значение скорости вращения режущего элемента.</li> </ul>

RU

ПРОБЛЕМА	ПРИЧИНА	РЕШЕНИЕ
Газонокосилка неожиданно останавливается во время работы.	<ul style="list-style-type: none"> <li>■ Аккумулятор разряжен.</li> </ul>	<ul style="list-style-type: none"> <li>■ Зарядите аккумулятор.</li> </ul>
	<ul style="list-style-type: none"> <li>■ Газонокосилка перегружена, индикатор состояния косилки мигает оранжевым.</li> </ul>	<ul style="list-style-type: none"> <li>■ Проверьте, не скопилось ли трава под платформой, и при необходимости уберите ее. Увеличьте высоту скашивания или снизьте скорость работы.</li> </ul>
	<ul style="list-style-type: none"> <li>■ Платформа газонокосилки забита травой и мусором.</li> </ul>	<ul style="list-style-type: none"> <li>■ Очистите платформу газонокосилки. Увеличьте высоту скашивания и (или) скашивайте более узкую полосу травы.</li> </ul>
	<ul style="list-style-type: none"> <li>■ Перегрев аккумулятора или электрических цепей устройства. При перегреве аккумулятора индикатор состояния газонокосилки гаснет. Если газонокосилка перегрета, индикатор состояния светится оранжевым.</li> </ul>	<ul style="list-style-type: none"> <li>■ Дайте аккумулятору или газонокосилке остыть.</li> </ul>
	<ul style="list-style-type: none"> <li>■ Неправильно установлен режим скорости вращения режущего элемента.</li> </ul>	<ul style="list-style-type: none"> <li>■ Выберите меньшее значение скорости вращения режущего элемента.</li> </ul>
	<ul style="list-style-type: none"> <li>■ Ошибка в электронике газонокосилки, индикатор состояния попеременно мигает красным и зеленым.</li> </ul>	<ul style="list-style-type: none"> <li>■ Обратитесь в сервисный центр EGO.</li> </ul>
Устройство сильно вибрирует.	<ul style="list-style-type: none"> <li>■ Ослаблено крепление комплекта режущих элементов.</li> </ul>	<ul style="list-style-type: none"> <li>■ Затяните болт крепления режущего элемента.</li> </ul>
	<ul style="list-style-type: none"> <li>■ Комплект режущих элементов разбалансирован.</li> </ul>	<ul style="list-style-type: none"> <li>■ Обратитесь в сервисный центр EGO.</li> </ul>
	<ul style="list-style-type: none"> <li>■ Режущий элемент погнут.</li> </ul>	<ul style="list-style-type: none"> <li>■ Замените режущий элемент.</li> </ul>
	<ul style="list-style-type: none"> <li>■ Вал двигателя погнут.</li> </ul>	<ul style="list-style-type: none"> <li>■ Обратитесь в сервисный центр EGO.</li> </ul>
	<ul style="list-style-type: none"> <li>■ Газонокосилка отрегулирована так, что срезает слишком много травы за один заход.</li> </ul>	<ul style="list-style-type: none"> <li>■ Поднимите платформу повыше.</li> </ul>
	<ul style="list-style-type: none"> <li>■ Неправильно установлен режим скорости вращения режущего элемента.</li> </ul>	<ul style="list-style-type: none"> <li>■ Установите меньшее значение скорости вращения режущего элемента.</li> </ul>
Мотор работает, но комплект режущих элементов не косит траву.	<ul style="list-style-type: none"> <li>■ Комплект режущих элементов не затянут с требуемым моментом.</li> </ul>	<ul style="list-style-type: none"> <li>■ Затяните комплект режущих элементов. Рекомендуемый крутящий момент затяжки болта режущего элемента составляет 50 – 60 Нм.</li> </ul>
Затруднения при перемещении ручки выбора режима из стороны в сторону.	<ul style="list-style-type: none"> <li>■ На верхней части раздвижной дверцы скопилось слишком много травы.</li> </ul>	<ul style="list-style-type: none"> <li>■ После каждого использования дверцы убирайте траву с платформы газонокосилки.</li> </ul>



## ГАРАНТИЯ

### ГАРАНТИЙНАЯ ПОЛИТИКА EGO

Посетите веб-сайт [egopowerplus.eu](http://egopowerplus.eu), чтобы ознакомиться со всеми условиями и сроками гарантийной политики EGO.

RU

## PRZECZYTAJ WSZYSTKIE INSTRUKCJE!

**Przeznaczenie:** Produkt jest przeznaczony do ręcznego koszenia trawy:

- Narzędzia należy używać tylko do koszenia suchej trawy. Nie należy kosić mokrej trawy.
- Nie używać do innych celów.

**! OSTRZEŻENIE:** Przed użyciem maszyny należy koniecznie przeczytać ze zrozumieniem wszystkie instrukcje dotyczące bezpieczeństwa podane w podręczniku użytkownika, łącznie z wszystkimi ostrzeżeniami oznaczonymi symbolami ostrzegawczymi takimi jak „**NIEBEZPIECZEŃSTWO**”, „**OSTRZEŻENIE**” i „**OSTROŻNIE**”. Niestosowanie się do wszystkich podanych niżej instrukcji może doprowadzić do porażenia prądem, pożaru i/lub poważnych urazów ciała.

## SYMBOLE BEZPIECZEŃSTWA



Ostrzeżenie dotyczące bezpieczeństwa



Podczas używania produktu należy zawsze nosić gogle ochronne lub okulary ochronne z osłonami bocznymi, a także pełną osłonę na twarz.



Uwaga na przedmioty wyrzucane w powietrze – osoby postronne należy trzymać z daleka.



Nie zbliżać dłoni



Gwarantowany poziom mocy akustycznej.



Produkt jest zgodny z dyrektywami obowiązującymi w Wielkiej Brytanii.

IPX4 Zabezpieczenie przed zachlapaniem wodą

mm Milimetr

⎓ Prąd stały



Aby zmniejszyć ryzyko urazów, przed rozpoczęciem używania urządzenia, użytkownik musi przeczytać i zrozumieć instrukcję.



Przed regulacją lub czyszczeniem należy wyłączyć urządzenie i wyjąć wymienny akumulator (lub moduł wyłączający).



Ręce i stopy należy trzymać z dala od ostrzy



Nie należy wpatrywać się we włączoną lampę.



Ten produkt jest zgodny z obowiązującymi dyrektywami WE.



Zużytych wyrobów elektrycznych nie należy wyrzucać razem ze zwykłymi odpadami domowymi. Należy je oddać do autoryzowanego punktu recyklingu.

V Volt

cm Centymetr

kg Kilogram



## SPECYFIKACJA

Napięcie	56 V	
Tryb prędkości ostrza	2	
	1	
	ECO	
Liczba pozycji wysokości koszenia	8	
Ustawienia wysokości koszenia	25 mm/33 mm/43 mm/ 54 mm/66 mm/79 mm/ 92 mm/105 mm	
Szerokość koszenia	55 cm	
Pojemność pojemnika na trawę	85 L	
Ciężar kosiarki (z workiem na trawę i akumulatorem BA6720T)	37 kg	
Model zestawu ostrzy	AB2212D-E	
Zalecana temperatura użytkowania	0°C - 40°C	
Zalecana temperatura przechowywania	-20°C - 70°C	
Zmierzony poziom mocy akustycznej poziom $L_{WA}$	95 dB(A) K=0,7 dB(A)	
Poziom ciśnienia akustycznego przy uchu operatora $L_{PA}$	83 dB(A) K=3 dB(A)	
Gwarantowany poziom mocy akustycznej $L_{WA}$ (zmierzony zgodnie z dyrektywą 2000/14/WE)	96 dB(A)	
Szacunkowe drgania $a_{Hv}$ :	Uchwyt lewy	1,35 m/s <sup>2</sup> K=1,5 m/s <sup>2</sup>
	Uchwyt prawy	1,35 m/s <sup>2</sup> K=1,5 m/s <sup>2</sup>

- Deklarowana całkowita wartość drgań została zmierzona zgodnie ze standardowymi metodami testowania i może służyć do porównywania różnych maszyn.
- Deklarowana całkowita wartość drgań może również służyć do wstępnej oceny narażenia na drgań.

**⚠ OSTRZEŻENIE:** Emisja drgań podczas rzeczywistego użytkowania maszyny może różnić się od deklarowanej wartości, w której maszyna jest używana. Aby się zabezpieczyć, w rzeczywistych warunkach użytkowania użytkownik powinien nosić rękawice i nauszniki ochronne.

**⚠ OSTRZEŻENIE:** Środki ostrożności służące ochronie operatora należy określić na podstawie oceny narażenia w rzeczywistych warunkach użytkowania (z uwzględnieniem wszystkich elementów cyklu pracy, tj. oprócz czasu włączenia także okresów takich jak czas, w którym narzędzie jest wyłączone oraz w którym pracuje bez obciążenia).

## LISTA ELEMENTÓW W OPAKOWANIU (RYS. A1 & A2)

NAZWA CZĘŚCI	ILOŚĆ
Kosiarka do trawy	1
Pojemnik na trawę	1
Rama pojemnika na trawę	1
Instrukcja obsługi	1

PL

## OPIS

### ZAPOZNANIE SIĘ Z KOSIARKĄ (Rys. A1 i A2)

1. Rączka
2. Wspornik boczny
3. Zacisk blokujący uchwyt
4. Tyłna kłapa wyrzutu trawy
5. Uchwyt do podnoszenia
6. Pokrywa komory akumulatora
7. Światła LED
8. Pokrętło wyboru zacisku
9. Koło przednie
10. Pokrętło regulacji wysokości cięcia
11. Pomost
12. Wlot powietrza
13. Koło tylne
14. Dźwignia szybkiej regulacji
15. Pojemnik na trawę
16. Osłona tylna
17. Dźwignia pracy ostrza

18. Dźwignia napędu
19. Pokrętło prędkości napędu
20. Przycisk trybu prędkości ostrza
21. Przycisk zasilania
22. Przycisk reflektorów LED
23. Ikona reflektorów LED
24. Wskaźnik reflektorów LED
25. Kontrolka stanu kosiarki
26. Ikona ostrza
27. Wskaźnik trybu prędkości ostrza
28. Ikona stanu kosiarki

## MONTAŻ

**⚠ OSTRZEŻENIE:** W przypadku braku lub uszkodzenia którejś z części nie należy włączać urządzenia aż do momentu wymiany lub naprawy części. Używanie urządzenia z uszkodzonymi częściami lub gdy którejś z części brakuje może doprowadzić do poważnych urazów ciała.

PL

**⚠ OSTRZEŻENIE:** Aby zapobiec przypadkowemu włączeniu, które mogłoby spowodować urazy ciała, na czas mocowania części należy zawsze wyjmować z maszyny akumulator.

**⚠ OSTRZEŻENIE:** Nie należy próbować dokonywać w maszynie przeróbek ani tworzyć akcesoriów, które nie są zalecane do używania w tej kosiarce. Wszelkie tego typu zmiany lub przeróbki są niedozwolone i mogą prowadzić do niebezpiecznych sytuacji i poważnych urazów.

### ROZPAKOWANIE

- Należy wyjąć z kartonu wszystkie akcesoria.
- Chwycić jednocześnie przód kosiarki i uchwyt podnośnika, aby ostrożnie podnieść kosiarkę i wyjąć ją z kartonu.

### REGULACJA SKŁADANEGO UCHWYTU

**⚠ OSTRZEŻENIE:** Nie próbować uruchamiać kosiarki, jeśli uchwyt nie jest zablokowany w jednej z trzech zaprogramowanych pozycji: GÓRNA POZYCJA ROBOCZA, ŚRODKOWA POZYCJA ROBOCZA I DOLNA POZYCJA ROBOCZA.

1. Wcisnąć i przytrzymać dźwignię szybkiej regulacji, aby odblokować uchwyt zablokowany w POZYCJI PRZECHOWYWANIA (Rys. B1).

B1-1	Dźwignia szybkiej regulacji
------	-----------------------------

2. Podnieść uchwyt z pozycji złożonej i puścić dźwignię. Delikatnie przekręcić uchwyt w górę aż da się słyszeć i wyczuć, że sworzeń blokujący zaskoczył w jednej z następujących pozycji pokazanych na Rys. B2.

B2-1	Pozycja zablokowana na czas przechowywania	B2-2	Pozycja zakładania/ wyjmowania pojemnika na trawę
B2-3	Górna pozycja robocza	B2-4	Środkowa pozycja robocza
B2-5	Dolna pozycja robocza		

3. Całkowicie wysunąć wsporniki boczne i mocno zamknąć zaciski blokujące uchwyt (Rys. B3).

**UWAGA:** Silnika nie wolno włączać bez spełnienia następujących warunków:

- Wsporniki boczne są całkowicie wysunięte.
- Oba zielone zaciski blokujące uchwytu są całkowicie zamknięte.
- Zablokowanie uchwytu w jednej z pozycji roboczych.

### MONTAŻ POJEMNIKA NA TRAWĘ (Rys. C1, C2, C3)

Przed zamontowaniem należy sprawdzić, czy pojemnik na trawę nie jest uszkodzony.

Pojemnik na trawę zakłada się tak jak pokazano na ilustracji.

### POKRĘTŁO WYBORU ZACISKU (Rys. D)

Ustawić pokrętło wyboru zacisku w dowolnej z pięciu pozycji, aby uzyskać pożądane rezultaty koszenia.

Pokrętło umożliwia regulację drzwi przesuwanych od pozycji całkowicie otwartej „BAG” do pozycji całkowicie zamkniętej „MULCH”.

Regulując pokrętło wyboru zacisku, można spełnić różne warunki koszenia.

**Aby zmienić położenie pokrętła,** należy wyciągnąć pokrętło z zatrzasku i ustawić je w żądanym położeniu.

**UWAGA:** Jeśli podczas przesuwania pokrętła wyboru zacisku z boku na bok zauważalny jest duży opór, na górnej części drzwi przesuwanych mogła nagromadzić się nadmierna ilość trawy. Po każdym użyciu należy usunąć trawę spod podwozia kosiarki.

D-1	Drzwi przesuwne	D-2	Pozycja „MULCH”
D-3	Pokrętło wyboru zacisku	D-4	Pozycja „BAG”

## POZYCJA DRZWI PRZESUWNYCH

Przesuwane drzwi można ustawić tak, aby uzyskać różne wyniki koszenia. Aby poznać różnicę między pozycjami, zainstalować worek na trawę i rozpocząć koszenie, ustawiając pokrętło wyboru zacisku w pozycji „BAG”. Sprawdzić wygląd trawnika. W miarę przesuwania pokrętła w kierunku pozycji „MULCH”, większa ilość trawy będzie ponownie wprowadzana na trawnik. Wyregulować pokrętło wyboru zacisku, aż do uzyskania pożądanego rezultatu. Tryb hybrydowy workowania/mulczowania zapewni czyste i drobne cięcie.

- **Zatrzasnąć pokrętło wyboru zacisku w położeniu „BAG”**, drzwi przesuwne są całkowicie otwarte, umożliwiając przedostanie się wszystkich ścinoków trawy do worka (Rys. E1).
- **Zatrzasnąć pokrętło wyboru zacisku w położeniu hybrydowym workowania/mulczowania**, drzwi przesuwne są częściowo zamknięte. Część ścinoków trafi do worka, a część zostanie drobno mulczowana i skierowana na ziemię (Rys. E2).
- **Pokrętło wyboru zacisku w pozycji „MULCH”**, drzwi przesuwne są całkowicie zamknięte. Wszystkie ścinoki będą drobno mulczowane i kierowane na ziemię (Rys. E3).

## BOCZNY ROZŁADUNEK

**Aby zamontować/zdemontować boczny kanał wyrzutowy (sprzedawany oddzielnie)**

**UWAGA:** Przed użyciem bocznego kanału wyrzutowego należy upewnić się, że spód koszariki jest czysty.

- Wyjąć worek na trawę i ustawić pokrętło wyboru zacisku w pozycji „BAG”.
- Nakładkę do wyrzutu bocznego zakłada się w kosiarce tak jak pokazano na Rys. F.

## PEŁNE WORKOWANIE

**Mocowanie/Wyjmowanie pojemnika na trawę**

**⚠ OSTRZEŻENIE:** Materiał, z którego wykonany jest pojemnik na trawę podlega zużyciu nawet przy normalnym użytkowaniu. Aby zmniejszyć ryzyko obrażeń, należy często kontrolować jego zamocowanie. W przypadku stwierdzenia oznak zużycia lub pogorszenia stanu pojemnika, pojemnik należy wymienić. Należy używać tylko pojemników na trawę dedykowanych do tego modelu kosiarki.

**UWAGA:** Przed użyciem worka na trawę należy upewnić się, że spód urządzenia jest czysty.

- Wyjąć boczny kanał wyrzutowy i ustawić pokrętło wyboru zacisku w pozycji „BAG”.
- Pojemnik na trawę zakłada się w kosiarce tak jak pokazano na Rys. G.

## PEŁNE MULCZOWANIE (Rys. H)

- Wyjąć worek na trawę.
- Zwolnić tylną kłapę wyrzutu.
- Ustawić pokrętło wyboru zacisku w pozycji „MULCH”.

## HYBRYDOWE WOKOWANIE/MULCZOWANIE (Rys. J)

- Założyć worek na trawę.
- Ustawić pokrętło wyboru zacisku w jednym z trzech położen hybrydowego workowania/mulczowania.

**UWAGA:** W miarę przesuwania pokrętła wyboru zacisku w kierunku pozycji „MULCH” większa ilość trawy będzie ponownie wprowadzana na trawnik.

Gdy pokrętło wyboru zacisku jest przesuwane w kierunku pozycji „BAG”, większa ilość trawy będzie wyrzucana przez tylny kanał wyrzutowy do worka na trawę.

## ZAKRES REGULACJI WYSOKOŚCI KOSZENIA (Rys. K)

Podczas ustawiania wysokości koszenia nie należy zbliżać stóp do podwozia.

Kosiarkę można ustawić na 8 wysokości koszenia od 25 mm do 105 mm. Wybrana wysokość koszenia jest zaznaczona oznaczeniem.

Wysokość koszenia należy wybrać w zależności od rodzaju koszonej trawy i warunków.

1. Wyłączyć kosiarkę i poczekać, aż ostrze tnące całkowicie się zatrzyma.
2. Wyjąć akumulator.
3. Wysunąć przednią lub tylną dźwignię regulacji wysokości koszenia z blokady i ustawić ją w żądanej pozycji.

**UWAGA:** Aby uniknąć przecięcia silnika, należy unikać ustawiania zbyt niskiej wysokości koszenia w wysokiej trawie. Jeśli prędkość silnika zacznie spadać, zwiększyć wysokość cięcia.

## UŻYTKOWANIE

Przed montażem części, regulacją i czyszczeniem oraz gdy produkt nie jest używany należy zawsze wyjąć z niego akumulator. Wyjęcie akumulatora zapobiega przypadkowemu włączeniu, które mogłoby spowodować ciężkie urazy ciała.

## ZAKŁADANIE/WYJMOWANIE AKUMULATORA (Rys. L)

Do urządzenia należy używać wyłącznie ładowarek i akumulatorów marki EGO wymienionych na rys. A3.

Więcej informacji znaleźć można w instrukcjach do odpowiednich akumulatorów i ładowarek.

### Całkowicie naładować przed pierwszym użyciem

1. Unieść przód pokrywy, aby podnieść pokrywę komory akumulatora.
2. **Mocowanie.** Należy wyrównać żeberka akumulatora względem szczelin mocujących i wsunąć akumulator do ładowarki aż da się słyszeć kliknięcie.
3. **Wyjmowanie,** wcisnąć przycisk odblokowujący akumulator i wysunąć akumulator na zewnątrz.
4. Zamknąć pokrywę komory akumulatora.

**UWAGA:** Przed rozpoczęciem pracy należy upewnić się, że zatrask na kosiarce zablokował się we właściwej pozycji i że akumulator jest dobrze zamocowany w kosiarce.

PL

## WYBÓR TRYBU PRĘDKOŚCI OSTRZA (Rys. M)

- **Tryb 2** to tryb dużej prędkości ostrza zapewniający wysoką wydajność podnoszenia, a przez to poprawę siły zasysania lub wydajności cięcia.
- **Tryb 1** to optymalny kompromis między wydajnością a czasem działania.
- **Tryb ECO** to tryb zapewniający najniższy poziom hałasu i najdłuższy czas działania akumulatora/ów.

**UWAGA:** Prędkość ostrza nie może być regulowana podczas pracy. Zmiana zacznie obowiązywać dopiero po zatrzymaniu i ponownym uruchomieniu silnika.

Wybrać **tryb 2, 1 lub ECO**, naciskając kolejno przycisk trybu prędkości ostrza.

**UWAGA:** Domyślnym trybem prędkości ostrza jest tryb 1.

M-1	Wskaźnik prędkości ostrza	M-2	Przycisk trybu prędkości ostrza
-----	---------------------------	-----	---------------------------------

## WŁĄCZANIE/WYŁĄCZANIE KOSIARKI

Produkt może być używany podczas deszczu.

**⚠ OSTRZEŻENIE:** Używanie kosiarzek do trawy może spowodować dostanie się obcych przedmiotów do oczu, co może spowodować poważne obrażenia oczu. Podczas użytkowania, regulowania lub naprawiania kosiarzki należy zawsze nosić okulary ochronne.

**UWAGA:** Przez kilka sekund po wyłączeniu kosiarzki ostrze nadal się porusza. Przed ponownym włączeniem należy odczekać, aż silnik/ostrze przestaną się kręcić. Nie należy wyłączać i włączać kosiarzki w krótkich odstępach czasu.

**⚠ OSTRZEŻENIE:** Jeżeli kosiarzkę trzeba przechylić na potrzeby transportu podczas pokonywania powierzchni innych niż trawa oraz podczas transportowania kosiarzki w miejsce koszenia i z powrotem, ostrze należy zatrzymać.

**⚠ OSTRZEŻENIE:** O ile nie jest to konieczne do włączenia kosiarzki, nie należy przechylać kosiarzki podczas włączania silnika. Jeśli jednak jest to potrzebne, urządzenia nie należy przechylić bardziej niż jest to absolutnie niezbędne. Należy wtedy podnosić tylko część znajdującą się z dala od operatora.

Przed użyciem należy zawsze sprawdzić wzrokowo, czy ostrze i śruba ostrza nie są zużyte lub uszkodzone. Aby zachować równowagę, zużyte lub uszkodzone ostrze i śrubę należy wymienić jako komplet.

### Sprawdzenie, czy ostrze tnące nie zablokowało się

- Aby zapobiec zablokowaniu, należy dbać o czystość ostrza tnącego i podwozia kosiarzki. Przed i po każdym użyciu należy usuwać ścinki trawy, liście, brud i wszelkie inne nagromadzone zanieczyszczenia.
- Gdy nastąpi zablokowanie, zatrzymać kosiarzkę i wyjąć akumulator, a następnie usunąć wszelkie nagromadzenie trawy i liści na lub wokół wału napędowego i wentylatora silnika. Kosiarzkę należy wytrzeć do czysta wilgotną szmatką.

**OSTROŻNIE:** Nie należy próbować zmieniać działania przycisku zasilania lub dźwigni pracy ostrza.

**UWAGA:** Bez zablokowania uchwytu w jednej z trzech pozycji roboczych silnik nie włączy się.

### Aby uruchomić kosiarzkę (Rys. N1 i N2)

1. Podłączyć akumulator do kosiarzki i zamknąć pokrywę komory akumulatora.
2. Nacisnąć przycisk zasilania, aby podświetlić panel sterowania. Zaświeci się kontrolka stanu kosiarzki i wskaźnik prędkości ostrza dla trybu 1.
3. Nacisnąć przycisk trybu prędkości ostrza, aby wybrać żądaną prędkość.
4. Nacisnąć i przytrzymać przycisk zasilania.
5. Przy wciśniętym przycisku zasilania pociągnąć dźwignię pracy ostrza i docisnąć ją do uchwytu, a następnie puścić przycisk zasilania.

### Wyłączanie kosiarki (Rys. N3)

1. Całkowicie puścić dźwignię pracy ostrza.
2. Hamulec elektryczny w mechanizmie automatycznego hamowania zatrzyma ostrze w ciągu 3 sekund od puszczenia dźwigni.

### UKŁAD NAPĘDU SAMOBIEŻNEGO O ZMIENNEJ PRĘDKOŚCI (Rys. P)

Kosiarka jest wyposażona w funkcję samoczynnego napędu o zmiennej prędkości. Powyższy napęd działa niezależnie od obrotów ostrza.

### Włączanie napędu samobieżnego bez pracy ostrza

1. Nacisnąć przycisk zasilania, aby podświetlić panel sterowania.
2. Lekko obrócić pokrętło prędkości napędu do przodu, aż usłyszysz kliknięcie, a następnie nacisnąć spust(y) napędu. Istnieją dwa wyzwacze samobieżne, nacisnąć jeden z nich, aby uruchomić funkcję samobieżną.

Aby wyłączyć napęd, wystarczy puścić dźwignię napędu.

P-1	Pokrętło prędkości napędu	P-2	Dźwignia napędu
-----	---------------------------	-----	-----------------

### REFLEKTORY LED (Rys. Q)

Aby włączyć reflektory, należy nacisnąć przełącznik reflektorów LED. Światła zapewniają jasne oświetlenie strefy z przodu kosiarki.



Aby wyłączyć reflektory, wystarczy ponownie nacisnąć przycisk.

PL

### KONTROLKI STANU KOSIARKI (Rys. A2)

Kontrolka stanu kosiarki na panelu sterowania pokazuje stan działania kosiarki.

Wskaźnik	Opis	Znaczenie	Działanie
	Świeci na zielono	Kosiarka działa prawidłowo.	Nie jest wymagane żadne działanie.
	Miga na zielono	Wsporniki boczne nie są całkowicie wysunięte.	Zatrzymać kosiarkę i upewnić się, że szyny boczne są całkowicie wysunięte.
		Uchwyt nie jest zablokowany w pozycji roboczej.	Wyłączyć kosiarkę i upewnić się, że uchwyt jest zablokowany w jednej z trzech pozycji roboczych.
	Miga na czerwono	Niski poziom naładowania baterii.	Zatrzymać kosiarkę i naładować akumulator.
	Świeci na pomarańczowo	Kosiarka jest przegrzana.	Zwolnić przełącznik sterowania i poczekać, aż temperatura kosiarki spadnie poniżej 80°C. Patrz część „ZABEZPIECZENIE KOSIARKI PRZED WYSOKĄ TEMPERATURĄ” poniżej.

Wskaźnik	Opis	Znaczenie	Działanie
	Miga na pomarańczowo	Kosiarka jest przeciążona.	<ol style="list-style-type: none"> <li>1. Najpierw wyjąć akumulator, a potem sprawdzić, czy pod spodem nie nagromadziła się trawa; jeżeli tak, to należy ją usunąć. W razie potrzeby wyczyścić.</li> <li>2. Podczas koszenia należy poruszać się wolniej.</li> <li>3. Zwiększyć wysokość koszenia.</li> <li>4. Jeśli powyższe rozwiązania nie działają, należy skontaktować się z centrum serwisowym EGO.</li> </ol> <p>Patrz część „ZABEZPIECZENIE PRZECIWPRECIĄŻENIOWE KOSIARKI” poniżej.</p>
	Miga na przemian na czerwono i zielono	Błąd elektroniki kosiarki.	Skontaktować się z punktem obsługi klienta EGO.

PL

## ZABEZPIECZENIE KOSIARKI PRZED WYSOKĄ TEMPERATURĄ

Jeśli temperatura kosiarki przekroczy podczas pracy 90°C, obwód zabezpieczający przed przegrzaniem natychmiast wyłączy maszynę, aby uchronić ją przed uszkodzeniem wskutek przegrzania.

Kontrolka stanu kosiarki będzie świecić światłem ciągłym na pomarańczowo. Puścić dźwięgnię pracy ostrza i poczekać, aż przegrzana kosiarka ostygnie, a kontrolka stanu zmieni kolor na zielony; następnie ponownie włączyć kosiarkę.

## ZABEZPIECZENIE PRZECIWPRECIĄŻENIOWE KOSIARKI

Aby zapobiec przeciążeniu, nie należy za jednym razem kosić zbyt dużej ilości trawy. Należy zmniejszyć prędkość poruszania się lub zwiększyć wysokość koszenia.

Kosiarka posiada wbudowane zabezpieczenie zapobiegające przeciążeniu systemu. Gdy kosiarka jest przeciążona, wyłącza się silnik, a kontrolka stanu na kosiarce na panelu sterowania zaczyna migać na pomarańczowo.

## KONSERWACJA

**⚠ OSTRZEŻENIE:** Aby uniknąć poważnych obrażeń ciała, przed czyszczeniem, konserwacją lub transportem kosiarki należy zawsze wyłączyć kosiarkę, wyjąć akumulator i upewnić się, że wszystkie ruchome części zostały całkowicie zatrzymane.

**⚠ OSTRZEŻENIE:** Zawsze przestrzegać regularnej konserwacji maszyny.

**⚠ OSTRZEŻENIE:** Po uderzeniu w przeszkodę należy zatrzymać maszynę i wyjąć z niej akumulator, aby mieć pewność, że wszystkie poruszające się części całkowicie się zatrzymały. Należy sprawdzić, czy maszyna nie jest uszkodzona, a w razie potrzeby przed jej ponownym włączeniem i użyciem należy dokonać naprawy.

**⚠ OSTRZEŻENIE:** Jeśli maszyna zacznie nietypowo drgać, należy ją zatrzymać i wyjąć z niej akumulator, aby mieć pewność, że wszystkie poruszające się części całkowicie się zatrzymały. Następnie należy natychmiast przeprowadzić kontrolę pod kątem uszkodzeń. Wszystkie uszkodzone części wymienić lub naprawić. Należy też sprawdzić, czy w maszynie nie poluzowały się jakieś części i w razie potrzeby dokręcić je.

**⚠ OSTRZEŻENIE:** Do serwisowania należy używać wyłącznie części zamiennych identycznych z oryginalnymi. Używanie jakichkolwiek innych części stwarza ryzyko i może spowodować usterkę produktu. Aby zagwarantować bezpieczeństwo i niezawodność, wszystkie naprawy powinny być wykonywane przez wykwalifikowanych techników serwisu.

## CZYSZCZENIE KOSIARKI

Po każdym użyciu należy wyczyścić kosiarkę od spodu, ponieważ w podwoziu zbierają się trawa, liście i zanieczyszczenia.

Wszelkie nagromadzone ścinki trawy i liści wokół wału napędowego i wentylatora silnika należy usunąć. Kosiarkę należy wytrzeć do czysta wilgotną szmatką.

### WYMIANA ZESPOŁU OSTRZY (Rys. R1, R2, R3)

**⚠ OSTRZEŻENIE:** Należy zawsze wyjąć akumulator i worek na trawę.

**⚠ OSTRZEŻENIE:** Należy zawsze nosić rękawice ochronne.

**UWAGA:** Przed zamontowaniem zestawu ostrzy należy dokładnie oczyścić okolice wału napędowego i spód maszyny.

1. Odwrócić kosiarkę do góry nogami.
2. Za pomocą klucza dynamometrycznego i dwóch metalowych prętów służących do pomocy, zdjąć/zamontować zespół ostrzy tnących, tak jak pokazano na ilustracji.
3. Strona ostra z nadrukiem ma być skierowana na zewnątrz.

### PRZECHOWYWANIE KOSIARKI (Rys. S1 i S2)

- Po wyjęciu z kosiarki, akumulator należy przechowywać w chłodnym, suchym i czystym pomieszczeniu. Nie należy go przechowywać w pobliżu materiałów żrących/powodujących korozję, takich jak nawóz lub sól kamienna.
- Przed schowaniem należy opróżnić pojemnik na trawę.
- Zawsze odczekaj, aż kosiarka ostygnie przed przechowywaniem.
- Czyszczenie i konserwacja przed przechowywaniem.
- Kosiarkę należy przechowywać w zadaszonym, zamkniętym pomieszczeniu, chłodnym, suchym i niedostępnym dla dzieci.
- Nie należy przykrywać kosiarki plastikową płachtą. Płachty plastikowe zatrzymują wilgoć w otoczeniu kosiarki, co może spowodować rdzewienie i korozję.
- Kosiarka może być przechowywana na płasko lub w pozycji pionowej (Rys. S1 i S2).

**⚠ OSTRZEŻENIE:** Przewrócenie się kosiarki ustawionej w pozycji pionowej grozi jej uszkodzeniem i może doprowadzić do urazów. Gdy kosiarka jest przechowywana w pozycji pionowej, musi być zawsze ustawiona stabilnie i w miejscu niedostępnym dla dzieci. W miarę możliwości należy ją przechowywać w pozycji poziomej.

### OCHRONA ŚRODOWISKA



Urządzeń elektrycznych nie należy wyrzucać razem z nieposortowanymi odpadami komunalnymi, należy korzystać z oddzielnych punktów zbierania odpadów.

Więcej informacji o dostępnych systemach zbiórki można uzyskać od władz lokalnych.

Wyrzucanie urządzeń elektrycznych na wysypisko grozi wyciekami niebezpiecznych substancji do wód gruntowych i przedostaniem się ich do łańcucha pokarmowego, ze szkodą dla zdrowia i jakości życia użytkownika.

## ROZWIĄZYWANIE PROBLEMÓW

PROBLEM	PRZYCZYNA	ROZWIĄZANIE
Nie można uruchomić kosiarki lub napędu.	<ul style="list-style-type: none"> <li>■ Akumulator jest rozładowany.</li> </ul>	<ul style="list-style-type: none"> <li>■ Naładować akumulator.</li> </ul>
	<ul style="list-style-type: none"> <li>■ Akumulator w komorze akumulatorów nie jest prawidłowo założony.</li> </ul>	<ul style="list-style-type: none"> <li>■ Wsunąć akumulator do komory akumulatora tak, aby dało się słyszeć „kliknięcie”.</li> </ul>
	<ul style="list-style-type: none"> <li>■ Uchwyt nie jest zablokowany w pozycji roboczej, a kontrolka stanu kosiarki miga na zielono.</li> </ul>	<ul style="list-style-type: none"> <li>■ Wyłączyć kosiarkę i upewnić się, że uchwyt jest zablokowany w jednej z pozycji roboczych.</li> </ul>
	<ul style="list-style-type: none"> <li>■ Podwozie kosiarki jest zapchane trawą i zanieczyszczeniami.</li> </ul>	<ul style="list-style-type: none"> <li>■ Wyczyścić podwozie kosiarki i upewnić się, że zestaw ostrzy może się swobodnie poruszać.</li> </ul>
Kosiarka kosi nierówno.	<ul style="list-style-type: none"> <li>■ Zestaw ostrzy jest stępiony.</li> </ul>	<ul style="list-style-type: none"> <li>■ Naostrzyć lub wymienić zestaw ostrzy.</li> </ul>
	<ul style="list-style-type: none"> <li>■ Niewłaściwie ustawiona wysokość koszenia trawy.</li> </ul>	<ul style="list-style-type: none"> <li>■ Ustawić podwozie na wyższą wysokość.</li> </ul>
	<ul style="list-style-type: none"> <li>■ Zestaw ostrzy został nieprawidłowo zainstalowany.</li> </ul>	<ul style="list-style-type: none"> <li>■ Zamontować zestaw ostrzy zgodnie z opisem podanym w części „WYMIANA ZESPOŁU OSTRZY” w niniejszej instrukcji.</li> </ul>
	<ul style="list-style-type: none"> <li>■ Tryb prędkości ostrza nie jest ustawiony prawidłowo.</li> </ul>	<ul style="list-style-type: none"> <li>■ Wybrać odpowiedni tryb prędkości ostrza.</li> </ul>
Kosiarka niewłaściwie mulczyje.	<ul style="list-style-type: none"> <li>■ Pod podwoziem przykleja się skoszona mokra trawa.</li> </ul>	<ul style="list-style-type: none"> <li>■ Przed koszeniem odczekać, aż trawa podeschnie.</li> </ul>
	<ul style="list-style-type: none"> <li>■ Kosiarka jest ustawiona na koszenie zbyt dużej ilości trawy za jednym razem.</li> </ul>	<ul style="list-style-type: none"> <li>■ Ustawić podwozie na większą wysokość koszenia.</li> </ul>
	<ul style="list-style-type: none"> <li>■ Tryb prędkości ostrza nie jest ustawiony prawidłowo.</li> </ul>	<ul style="list-style-type: none"> <li>■ Wybrać niższe ustawienie prędkości ostrza.</li> </ul>

PL



PROBLEM	PRZYCZYNA	ROZWIĄZANIE
Kosiarka niespodziewanie wyłącza się podczas koszenia.	<ul style="list-style-type: none"> <li>■ Akumulator jest rozładowany.</li> </ul>	<ul style="list-style-type: none"> <li>■ Naładować akumulator.</li> </ul>
	<ul style="list-style-type: none"> <li>■ Kosiarka jest przeciążona, a kontrolka stanu kosiarki miga na pomarańczowo.</li> </ul>	<ul style="list-style-type: none"> <li>■ Sprawdzić, czy pod podwoziem nie nagromadziła się trawa i w razie potrzeby usunąć ją. Zwiększyć wysokość koszenia lub zmniejszyć prędkość koszenia.</li> </ul>
	<ul style="list-style-type: none"> <li>■ Podwozie kosiarki jest zaphane trawą i zanieczyszczeniami.</li> </ul>	<ul style="list-style-type: none"> <li>■ Usunąć z podwozia kosiarki nagromadzoną pod nim trawę. Zwiększyć wysokość koszenia i/ lub kosić węższy pas trawy.</li> </ul>
	<ul style="list-style-type: none"> <li>■ Akumulator lub instalacja elektryczna kosiarki są przegrzane. Jeśli akumulator jest przegrzany, kontrolka stanu kosiarki zgaśnie. Jeśli kosiarka jest przegrzana, kontrolka stanu kosiarki będzie świecić światłem ciągłym na pomarańczowo.</li> </ul>	<ul style="list-style-type: none"> <li>■ Odczekać, aż akumulator ostygnie.</li> </ul>
	<ul style="list-style-type: none"> <li>■ Tryb prędkości ostrza nie jest ustawiony prawidłowo.</li> </ul>	<ul style="list-style-type: none"> <li>■ Wybrać niższe ustawienie prędkości ostrza.</li> </ul>
	<ul style="list-style-type: none"> <li>■ W przypadku usterki elektroniki kosiarki, kontrolka stanu kosiarki będzie migać na przemian na czerwono i zielono.</li> </ul>	<ul style="list-style-type: none"> <li>■ Skontaktować się z centrum serwisowym EGO.</li> </ul>
Nadmierne drgania.	<ul style="list-style-type: none"> <li>■ Zestaw ostrzy tnących jest poluzowany.</li> </ul>	<ul style="list-style-type: none"> <li>■ Przykręcić śrubę ostrza.</li> </ul>
	<ul style="list-style-type: none"> <li>■ Niewyważone ostrze tnące.</li> </ul>	<ul style="list-style-type: none"> <li>■ Skontaktować się z centrum serwisowym EGO.</li> </ul>
	<ul style="list-style-type: none"> <li>■ Skrzywione ostrze tnące.</li> </ul>	<ul style="list-style-type: none"> <li>■ Wymienić ostrze.</li> </ul>
	<ul style="list-style-type: none"> <li>■ Wygięty wał silnika.</li> </ul>	<ul style="list-style-type: none"> <li>■ Skontaktować się z centrum serwisowym EGO.</li> </ul>
	<ul style="list-style-type: none"> <li>■ Kosiarka jest ustawiona na koszenie zbyt dużej ilości trawy za jednym razem.</li> </ul>	<ul style="list-style-type: none"> <li>■ Ustawić podwozie na większą wysokość koszenia.</li> </ul>
	<ul style="list-style-type: none"> <li>■ Tryb prędkości ostrza nie jest ustawiony prawidłowo.</li> </ul>	<ul style="list-style-type: none"> <li>■ Ustawić niższe ustawienie prędkości ostrza.</li> </ul>
Silnik pracuje, ale zestaw ostrzy nie kosi trawy.	<ul style="list-style-type: none"> <li>■ Zestaw ostrzy nie został dokręcony wymagającym momentem dokręcania.</li> </ul>	<ul style="list-style-type: none"> <li>■ Dokręcić zestaw ostrzy. Zalecany moment dokręcania śruby ostrza wynosi 50 - 60 Nm.</li> </ul>
Trudności z przesuwaniem pokrętki wyboru zacisku z boku na bok.	<ul style="list-style-type: none"> <li>■ Nadmierna ilość ścinków trawy nagromadziła się na szczycie przesuwu.</li> </ul>	<ul style="list-style-type: none"> <li>■ Po każdym użyciu kosiarki należy usunąć trawę spod jej podwozia.</li> </ul>

**PL**

## GWARANCJA

### POLITYKA GWARANCYJNA EGO

W celu zapoznania się z wszystkimi warunkami polityki gwarancyjnej EGO prosimy wejść na stronę [egopowerplus.eu](http://egopowerplus.eu).

## PŘEČTĚTE SI VŠECHNY POKYNY!

**Zamýšlené použití:** Výrobek je určen pro ruční sekání trávníku:

- Používejte pouze pro sekání suché trávy. Nesekejte mokrou trávu.
- Nepoužívejte ji k jiným účelům.

**VAROVÁNÍ:** Před použitím tohoto stroje si přečtěte a porozumějte všem bezpečnostním pokynům v tomto návodu k obsluze, včetně všech bezpečnostních výstražných symbolů, jako jsou „**NEBEZPEČÍ**“, „**VAROVÁNÍ**“ a „**UPOZORNĚNÍ**“. Nedodržení níže uvedených pokynů může mít za následek úraz elektrickým proudem, požár anebo vážná zranění osob.

## BEZPEČNOSTNÍ SYMBOLY



Bezpečnostní upozornění



Při používání tohoto výrobku vždy noste ochranu sluchu, ochranné brýle, ochranné brýle s bočními kryty nebo celoobličejový štít.



Pozor na odmrštěné předměty! Nedovolte jiným osobám, aby se přibližovaly.



Udržujte ruce v bezpečné vzdálenosti



Garantovaná hladina akustického výkonu.



Tento výrobek je v souladu s platnými předpisy ve Spojeném království.

IPX4

Ochrana před stříkající vodou

mm

Milimetr



Stejnoseměrný proud



Z důvodu snížení nebezpečí úrazu si musí uživatel před použitím tohoto výrobku přečíst návod k obsluze a porozumět mu.



Před nastavením nebo čištěním sekačku vypněte a vyjměte vyjímatelný akumulátor (nebo blokovací zařízení).



Udržujte ruce a nohy v dostatečné vzdálenosti od čepelí



Neďívejte se upřeně na provozní kontrolku.



Tento výrobek je v souladu s platnými směrnici ES.



Odpadní elektrické výrobky se nesmí likvidovat s domovním odpadem. Odevzdejte je do autorizovaného recyklačního střediska.

V

Volt

cm

Centimetr

kg

Kilogram

## TECHNICKÉ ÚDAJE

Napětí	56 V	
Režim rychlosti čepele	2	
	1	
	ECO	
Polohy výšky sekání	8	
Nastavení výšky sekání	25 mm/33 mm/43 mm/ 54 mm/66 mm/79 mm/ 92 mm/105 mm	
Šířka sekání	55 cm	
Objem vaku na trávu	85 l	
Hmotnost sekačky (s vakem na trávu a akumulátorem BA6720T)	37 kg	
Model sady čepelí	AB2212D-E	
Doporučená provozní teplota	0°C - 40°C	
Doporučená skladovací teplota	-20°C - 70°C	
Měřená hladina akustického výkonu $L_{WA}$	95 dB(A) K=0,7 dB(A)	
Hladina akustického tlaku na sluch obsluhy $L_{PA}$	83 dB(A) K=3 dB(A)	
Zaručená hladina akustického výkonu $L_{WA}$ (měřeno podle 2000/14/ES)	96 dB(A)	
Hodnota vibrací $a_n$ :	Levá rukojeť	1,35 m/s <sup>2</sup> K = 1,5 m/s <sup>2</sup>
	Pravá rukojeť	1,35 m/s <sup>2</sup> K = 1,5 m/s <sup>2</sup>

- Celková deklarovaná hodnota vibrací byla naměřena podle standardní zkušební metody a lze ji použít ke srovnání s jiným strojem.
- Celkovou deklarovanou hodnotu vibrací lze použít také k předběžnému stanovení expozičních limitů.

**VAROVÁNÍ:** Emise vibrací při konkrétním použití stroje se mohou lišit od deklarované hodnoty, při které se stroj používá. Z důvodu ochrany provozovatele by měl uživatel ve skutečných pracovních podmínkách nosit rukavice a chrániče sluchu.

**VAROVÁNÍ:** Potřeba určit bezpečnostní opatření na ochranu obsluhy, která jsou založena na odhadu expozice ve skutečných podmínkách používání (s přihlédnutím ke všem částem pracovního cyklu, jako je doba, kdy je nářadí vypnuto a kdy běží naprázdno, navíc k době spuštění).

## OBSAH BALENÍ (OBR. A1 A A2)

NÁZEV DÍLU	MNOŽSTVÍ
Sekačka na trávu	1
Vak na trávu	1
Rám vaku na trávu	1
Návod k obsluze	1

## POPIS

### SEZNAMTE SE S VAŠÍ SEKAČKOU (Obr. A1 a A2)

1. Rukojeť
2. Boční lišta
3. Pojistná svorka rukojeti
4. Zadní výstupní dvířka
5. Zvedací rukojeť
6. Kryt bateriového prostoru
7. LED světlo
8. Knoflík pro výběr zástříhu
9. Přední kolo
10. Knoflík pro nastavení výšky sekání
11. Šasi
12. Přívod vzduchu
13. Zadní kolo
14. Páka rychlého nastavení
15. Vak na trávu
16. Zadní štít
17. Spoušť otáčení čepele
18. Spoušť pojezdu
19. Volič rychlosti pojezdu
20. Tlačítko režimu rychlosti čepele
21. Hlavní vypínač
22. LED tlačítko světlo
23. LED ikona světlo
24. LED indikátor světlo
25. Kontrolka stavu sekačky
26. Ikona čepele
27. Indikátor režimu otáček čepelí
28. Ikona stavu sekačky

CZ

## MONTÁŽ

**VAROVÁNÍ:** Pokud jsou některé díly poškozené, nebo chybí, nepoužívejte výrobek, dokud se díly nevymění. Použití tohoto výrobku s poškozenými nebo chybějícími díly může vést k vážnému úrazu.

**VAROVÁNÍ:** Pokud provádíte montáž dílů, vždy vyjměte akumulátor ze stroje, aby nedošlo k neúmyslnému spuštění, které může způsobit vážný úraz.

**VAROVÁNÍ:** Nepokoušejte se výrobek upravovat ani vytvářet příslušenství, které se k tomuto výrobku nedoporučuje. Každá taková změna nebo úprava znamená nesprávné použití a může vést k nebezpečné situaci s následným vážným zraněním.

### VYBALENÍ

- Vyjměte z krabice veškeré příslušenství.
- Uchopte současně přední část sekačky a zvedací rukojeť a opatrně sekačku zvedněte a vyjměte z kartonu.

### NASTAVENÍ SKLOPNÉ RUKOJETI

**VAROVÁNÍ:** Nepokoušejte se spouštět sekačku, dokud není rukojeť zajištěna v jedné ze tří předem nastavených provozních poloh: HORNÍ PROVOZNÍ POLOHA, STŘEDNÍ PROVOZNÍ POLOHA nebo DOLNÍ PROVOZNÍ POLOHA.

1. Stiskněte a držte páku pro rychlé nastavení a uvolněte rukojeť ze ZAJIŠTĚNÉ SKLADOVACÍ POLOHY (obr. B1).

B1-1	Páka rychlého nastavení
------	-------------------------

2. Zdvihněte rukojeť ze sklopené polohy, a pak uvolněte páku. Zlehka otočte rukojeť vzhůru, dokud neuslyšíte a neucítíte, že pojistka zapadla do jedné ze dvou poloh, jak je znázorněno na obr. B2.

B2-1	Zajištěná skladovací poloha	B2-2	Poloha pro nasazení/sejmutí vaku na trávu
B2-3	Horní provozní poloha	B2-4	Střední provozní poloha
B2-5	Dolní provozní poloha		

3. Úplně vsuňte boční lišty a opět bezpečně zajistěte svorky pro zajištění rukojetí (obr. B3).

**POZNÁMKA:** Motor nelze nastartovat, dokud:

- Boční lišty jsou maximálně vysunuté.
- Zelená pojistná svorka rukojeti není bezpečně uzavřena.
- Rukojeť zajištěna v jedné ze tří provozních poloh.

### MONTÁŽ VAKU NA TRÁVU (Obr. C1, C2, C3)

Před montáží zkontrolujte vak na trávu, abyste se ujistili, že není poškozený.

Sestavte vak na trávu podle vyobrazení.

### KNOFLÍK PRO VÝBĚR ZÁSTŘIHU (Obr. D)

Nastavte knoflík pro výběr zástřihu do kterékoli z pěti poloh, abyste dosáhli požadovaných výsledků sečení.

Knoflíkem lze nastavit posuvné dveře od zcela otevřené polohy „BAG“ do zcela zavřené polohy „MULCH“.

Nastavením knoflíku pro výběr zástřihu lze dosáhnout různé podmínky sečení.

**Chcete-li změnit polohu knoflíku,** vytáhněte knoflík z aretace na a nastavte jej do požadované polohy.

**POZNÁMKA:** Pokud při pohybu knoflíku pro výběr zástřihu ze strany na stranu vzniká velký odpor, je možné, že se na horní straně posuvných dveří nahromadila nadměrná tráva. Po každém použití vyčistěte trávu pod šasi sekačky.

D-1	Posuvné dveře	D-2	Poloha „MULCH“
D-3	Knoflík pro výběr zástřihu	D-4	Poloha „BAG“

### POLOHA POSUVNÝCH DVEŘÍ

Posuvné dveře lze nastavit tak, aby se dosáhlo různých výsledků sečení. Chcete-li se naučit rozlišovat mezi jednotlivými polohami, nainstalujte vak na trávu a začněte sekat s knoflíkem pro výběr zástřihu až do polohy „BAG“. Zkontrolujte vzhled trávníku. Při posunu knoflíku směrem k poloze „MULCH“ se do trávníku vrací více trávy. Nastavte knoflík pro výběr zástřihu, dokud nedosáhnete požadovaného výsledku. Výsledkem hybridního režimu posílání do vaku/mulčování je čistý a jemný střih.

- **Knoflík pro výběr zástřihu upněte do polohy „BAG“,** posuvná dvířka jsou zcela otevřená, čímž se veškerá posečená tráva dostane do vaku (obr. E1).
- **Knoflík pro výběr zástřihu v polohách pro hybridní posílání do vaku/mulčování,** posuvné dveře jsou částečně zavřené. Některé odřezky se dostanou do vaku a některé se jemně mulčují a odvádějí na zem (obr. E2).

- **Knoflík pro výběr zástřihu v poloze „MULCH“**, posuvné dveře jsou zcela zavřené. Všechny odřezky budou jemně mulčovány a odváděny na zem (obr. E3).

## BOČNÍ VYPOUŠTĚNÍ

### Připojení/odpojení bočního vývodu (prodává se samostatně)

**POZNÁMKA:** Před použitím bočního vývodu se ujistěte, že je spodní strana šasi sekačky čistá.

- Vyjměte vak na trávu a nastavte knoflík pro výběr zástřihu do polohy „BAG“.
- Namontujte boční vývod do sekačky, jak ukazuje obr. H.

## ÚPLNÉ POSÍLÁNÍ DO VAKU

### Nasazení/sejmutí vaku na trávu

**VAROVÁNÍ:** Při běžném použití se materiál vaku opotřebovává. Pro snížení rizika úrazu pravidelně kontrolujte vak na trávu a v případě známek opotřebení nebo poškození vak vyměňte. Používejte pouze vaky na trávu vyrobené pro tuto sekačku.

**POZNÁMKA:** Před použitím vaku na trávu se ujistěte, že je spodní strana šasi sekačky čistá.

- Vyjměte boční vývod a nastavte knoflík pro výběr zástřihu do polohy „BAG“.
- Namontujte vak na trávu do sekačky, jak ukazuje obr. G.

## ÚPLNÉ MULČOVÁNÍ (Obr. H)

- Sejměte vak na trávu.
- Uvolněte zadní výstupní dvířka.
- Nastavte knoflík pro výběr zástřihu do polohy „MULCH“.

## HYBRIDNÍ POSÍLÁNÍ DO VAKU/MULČOVÁNÍ (Obr. J)

- Připevněte vak na trávu.
- Nastavte knoflík pro výběr zástřihu do jedné ze tří poloh pro hybridní posílání do vaku/mulčování.

**POZNÁMKA:** S posunem knoflíku pro výběr zástřihu směrem k poloze „MULCH“ se bude do trávniku vracet více trávy.

Při posunutí knoflíku pro výběr zástřihu směrem k poloze „BAG“ se bude více trávy vyhazovat zadním výhozem do vaku na trávu.

## NASTAVENÍ VÝŠKY SEKÁNÍ (Obr. K)

Při nastavování výšky stůjte nohama vždy v bezpečné vzdálenosti od šasi sekačky.

Sekačku lze nastavit do 8 výšek sekání v rozmezí od 25 do 105 mm. Značka označuje zvolenou výšku sekání.

Vyberte správnou výšku sekání podle typu a stavu sečené trávy.

1. Vypněte sekačku na trávu a počkejte, až se řezací čepel úplně zastaví.
2. Vyjměte akumulátor.
3. Vytáhněte páčku nastavení výšky sekání ze zarážky a nastavte ji do požadované polohy.

**POZNÁMKA:** Abyste zabránili přetížení motoru, nenastavujte ve vysoké trávě příliš nízkou výšku sečení. Pokud se otáčky motoru začnou snižovat, zvýšte výšku sečení.

## OBSLUHA

Pokud provádíte montáž dílů, úpravy, čištění nebo výrobek dlouhodobě nepoužíváte, vždy vyjměte akumulátor. Vyjmutí akumulátoru zabrání neúmyslnému spuštění, které může způsobit vážný úraz.

### PŘIPOJENÍ/ODPOJENÍ AKUMULÁTORU (Obr. L)

Používejte pouze s akumulátory a nabíječkami EGO uvedenými na obr. A3.

Další podrobnosti naleznete v příslušných příručkách k akumulátorům a nabíječkám.

### Před prvním použitím plně nabijte akumulátor

1. Zvedněte kryt příhrádky pro akumulátor zvednutím přední části krytu.
2. **Pro upevnění**, srovnejte žebrování akumulátoru s instalačními drážkami a zatlačte na akumulátor dokud neuslyšíte „cvaknutí“.
3. **Pro odpojení**, stiskněte tlačítko pro uvolnění akumulátoru a vytáhněte jej.
4. Zavřete kryt příhrádky pro akumulátor.

**POZNÁMKA:** Dbejte, aby západka na sekačce zapadla na místo a akumulátor byl před spuštěním připevněn k sekačce.

### VOLBA REŽIMU OTÁČEK ČEPELE (Obr. M)

- **Režim 2** je režim vysoké rychlosti čepel s vysokým zdvihovým výkonem pro lepší sací sílu a výkonnější sekání.
- **Režim 1** se vyznačuje vyváženým poměrem mezi výkonem a dobou provozu.
- **Režim ECO** poskytuje nejnižší úroveň hluku a nejdelší dobu chodu akumulátoru.

**POZNÁMKA:** Otáčky čepele nelze během provozu nastavit. Změna se projeví až po zastavení a opětovném spuštění motoru.

Postupným stisknutím tlačítka režimu otáček čepele zvolte režim **2, 1** nebo **ECO**.

**POZNÁMKA:** Výchozí režim rychlosti čepele je režim **1**.

M-1	Ukazatel rychlosti čepele	M-2	Tlačítko režimu rychlosti čepele
-----	---------------------------	-----	----------------------------------

## SPUŠTĚNÍ/VYPNUTÍ SEKAČKY

Výrobek lze používat za deště.

**VAROVÁNÍ:** Při použití sekačky na trávu může dojít k vymrštění cizích těles do očí, což může způsobit jejich závažné poškození. Při práci se sekačkou nebo při úpravách a opravách vždy noste ochranné brýle.

**POZNÁMKA:** Čepel se bude otáčet ještě několik sekund po vypnutí sekačky. Před dalším spuštěním nechejte motor/čepel, aby se zastavily. Sekačku se nesnažte rychle vypnout a zapnout.

**CZ**

**VAROVÁNÍ:** Zastavte čepel, pokud se musí sekačka naklonit z důvodu přepravy při přejezdění jiných než travnatých povrchů a při přepravě sekačky na a z prostoru, kde se má sekat tráva.

**VAROVÁNÍ:** Při zapínání motoru sekačku nenaklánějte, s výjimkou případů, kdy je nutné sekačku naklonit pro spuštění. V takovém případě jej nenaklánějte více, než je nezbytně nutné, a zdvihněte pouze jednu část, která je vzdálenější od obsluhy.

Před použitím vždy vizuálně zkontrolujte, zda není čepel a šroub čepele opotřebený nebo poškozený. Opotřebené nebo poškozené čepel a šrouby vyměňujte spolu z důvodu zachování rovnováhy.

### Zkontrolujte, zda se žací čepel nezablokovala

- Abyste zabránili zablokování, udržujte žací čepel a šasi sekačky v čistotě. Před každým použitím a po něm odstraňte posekanou trávu, listí, nečistoty a další nahromaděné zbytky.
- Když dojde k zablokování, zastavte sekačku a vyjměte akumulátor, odstraňte nános trávy a listí z hnacího hřídele, kolem něj a rotoru motoru. Sekačku otřete čistým a vlhkým hadrem.

**UPOZORNĚNÍ:** Nepokoušejte se přemostit funkci tlačítka napájení a spouště otáčení čepele.

**POZNÁMKA:** Motor nelze nastartovat, pokud není rukojeť zajištěna v jedné ze tří pracovních poloh.

## Spuštění sekačky (Obr. N1 a N2)

- Přípevněte akumulátor k sekačce a zavřete kryt prostoru pro akumulátor.
- Stisknutím tlačítka napájení se rozsvítí přístrojová deska a rozsvítí se indikátor stavu sekačky - indikátor rychlosti čepele pro režim **1**.
- Stisknutím tlačítka režimu rychlosti čepele vyberte požadovanou rychlost.
- Stiskněte a podržte tlačítko napájení.
- Se stisknutým tlačítkem napájení zatáhněte za spoušť otáčení čepele tak, aby se přiblížila k rukojeti, a uvolněte tlačítko napájení.

## Zastavení sekačky (Obr. N3)

- Uvolněte úplně spoušť otáčení čepele.
- Elektrická brzda v automatickém brzdovém mechanismu zastaví rotaci čepele během 3 sekund od uvolnění spouště otáčení čepele.

## SYSTÉM POJEZDU S VARIABILNÍ RYCHLOSTÍ (Obr. P)

Sekačka je vybavena funkcí pojezdu s variabilní rychlostí. Tento pojezdový systém je nezávislý na otáčení čepele.

### Ovládání pojezdového systému bez otáčení čepele

- Stisknutím tlačítka napájení rozsvítíte palubní desku.
- Mírně otáčejte voličem rychlosti pojezdu dopředu, dokud neuslyšíte cvaknutí, a poté stiskněte spouštěče pojezdu. K dispozici jsou dva spouštěče pojezdu, stisknutím jednoho z nich spustíte funkci samohybu.

**Pokud chcete pojezd zastavit,** uvolněte spoušť pojezdu.

P-1	Volič rychlosti pojezdu	P-2	Spoušť pojezdu
-----	-------------------------	-----	----------------

## LED SVĚTLOMETY (Obr. Q)

**Chcete-li světlomety vypnout,** stiskněte spínač LED světlometů. Světlomety poskytují jasné světlo před sekačkou.

**Chcete-li světlomety vypnout,** stiskněte tlačítko znovu.

## INDIKÁTORY STAVU SEKAČKY (Obr. A2)

Indikátor stavu sekačky na přístrojové desce ukazuje pracovní stav sekačky.

Kontrolka	Popis	Význam	Akce
	Svítilí zelená	Sekačka funguje správně.	Nevyžaduje se.
	Blikající zelená	Boční lišty nejsou maximálně vysunuté. Rukojeť není zajištěna v pracovní poloze.	Vypněte sekačku a zkontrolujte, zda jsou boční lišty maximálně vysunuté. Vypněte sekačku a ujistěte se, že je rukojeť zajištěna v jedné z tří pracovních poloh.
	Blikající červená	Nízká úroveň nabití akumulátoru.	Zastavte sekačku a nabijte akumulátor.
	Svítilí oranžová	Sekačka je přehřátá.	Uvolněte bezpečnostní spínač a počkejte, až teplota sekačky klesne pod 80 °C. Viz níže „ <b>OCHRANA SEKAČKY PŘED PŘEHŘÁTÍM</b> “.
	Blikající oranžová	Sekačka je přetížená.	<ol style="list-style-type: none"> <li>1. Nejprve vyjměte akumulátor, pak zkontrolujte a případně odstraňte trávu, která se nahromadila pod šasi sekačky. V případě potřeby vyčistěte.</li> <li>2. Zpomalte krok při sekání.</li> <li>3. Nastavte větší výšku sekání.</li> <li>4. Pokud výše uvedená řešení nepomáhají, obraťte se na servisní středisko EGO.</li> </ol> Viz níže „ <b>OCHRANA SEKAČKY PROTI PŘETÍŽENÍ</b> “.
	Bliká střídavě červeně a zeleně	Chyba elektroniky sekačky.	Kontaktujte zákaznický servis společnosti EGO.

CZ

### OCHRANA SEKAČKY PŘED PŘEHŘÁTÍM

Pokud teplota sekačky během provozu překročí 90 °C, obvod teplotní ochrany stroj okamžitě vypne, aby nedošlo k poškození přehřátím.

Indikátor stavu sekačky bude svítit oranžově. Uvolněte spoušť otáčení čepele a počkejte, až přehřátá sekačka vychladne a indikátor stavu se rozsvítí zeleně, poté sekačku znovu nastartujte.

### OCHRANA SEKAČKY PROTI PŘETÍŽENÍ

Aby nedošlo k přetížení, nepokoušejte se sekat příliš velké množství trávy najednou. Zpomalte krok nebo zvýšte výšku řezu.

Vaše sekačka je vybavena vestavěnou ochranou proti přetížení. Pokud dojde k přetížení sekačky, motor se zastaví a kontrolka stavu sekačky začne blikat oranžově.

## ÚDRŽBA

**VAROVÁNÍ:** Abyste zamezili vážnému zranění osob, vždy před čištěním, prováděním jakékoli údržby nebo před přepravou sekačky vypněte sekačku, vyjměte akumulátor a ujistěte se, že všechny pohyblivé části zcela zastavily.

**VAROVÁNÍ:** Vždy provádějte pravidelnou údržbu stroje.

**VAROVÁNÍ:** Zastavte stroj a vyjměte akumulátor, abyste se ujistili, že se všechny pohyblivé části po nárazu do cizího předmětu zcela zastavily, a abyste před opětovným spuštěním a provozem stroje zkontrolovali, zda není poškozen, a provedli opravy.

**VAROVÁNÍ:** Zastavte stroj a vyjměte akumulátor, abyste se ujistili, že se všechny pohyblivé části zcela zastavily, pokud stroj začne abnormálně vibrovat, a poté okamžitě zkontrolujte, zda není poškozen, vyměňte nebo opravte poškozené díly a zkontrolujte a utáhněte všechny uvolněné díly.

**VAROVÁNÍ:** Při opravách používejte pouze originální náhradní díly. Použití jiných dílů může představovat riziko nebo může způsobit poškození výrobku. Z důvodu zajištění bezpečnosti a spolehlivosti musí všechny opravy provádět kvalifikovaný servisní technik.

### ČIŠTĚNÍ SEKAČKY

Spodní část šasi sekačky čistěte po každém použití, jelikož dochází k hromadění posekané trávy, listí, hlíny a dalších nečistot.

Odstraňte nános trávy a listí z hnacího hřídele, z jeho okolí a z rotoru motoru. Sekačku otřete čistým a vlhkým hadrem.

### VÝMĚNA SADY ČEPELÍ (Obr. R1, R2, R3)

**VAROVÁNÍ:** Vždy vyjměte akumulátor a vak na trávu.

**VAROVÁNÍ:** Vždy noste ochranné rukavice.

**POZNÁMKA:** Před instalací čepelové sady důkladně vyčistěte oblast hnacího hřídele a spodní stranu stroje.

1. Otočte sekačku vzhůru nohama.
2. Sejměte/nainstalujte sadu žacích čepelí pomocí momentového klíče a dvou kovových tyčí podle vyobrazení.
3. Potištěnou stranou čepele směrem ven.

### USKLADNĚNÍ SEKAČKY (Obr. S1 a S2)

- Vyměte akumulátor ze sekačky a uskladněte jej na chladném, suchém a čistém místě. Neskladujte jej v blízkosti korozivních materiálů, jako je např. hnojivo nebo kamenná sůl.
- Před uskladněním vak na trávu vyprázdněte.
- Před uskladněním vždy nechte sekačku vychladnout.
- Čištění a údržba před uskladněním.
- Sekačku uskladněte v krytém, uzavřeném prostoru, který je studený, suchý a mimo dosah dětí.
- Sekačku na trávu nezakrývejte pevnou plastovou fólií. Plastové plachty uzavírají vlhkost okolo sekačky, což způsobuje rez a korozi.
- Sekačku lze skladovat na plocho nebo ve svislé poloze (obr. S1 a S2).

**VAROVÁNÍ:** Pokud se sekačka převrhne ze svislé polohy, může dojít k jejímu poškození nebo úrazu. Pokud je sekačka ve svislé poloze, udržujte její stabilitu a skladujte ji mimo dosah dětí. Pokud je to možné, skladujte ji ve vodorovné poloze.

### OCHRANA ŽIVOTNÍHO PROSTŘEDÍ



Nevyhazujte elektrické spotřebiče jako netříděný komunální odpad, použijte oddělené sběrné zařízení.

Informace o dostupných systémech sběru odpadu získáte u místních orgánů.

Pokud se elektrická zařízení likvidují na zavážkách nebo skládkách, mohou do podzemní vody proniknout nebezpečné látky, dostat se do potravního řetězce a poškodit tak vaše zdraví a zdravotní stav.



## ODSTRAŇOVÁNÍ ZÁVAD

PROBLÉM	PŘÍČINA	ŘEŠENÍ
Sekačku nebo funkci pojezdu se nepodaří spustit.	<ul style="list-style-type: none"> <li>■ Akumulátor je vybitý.</li> </ul>	<ul style="list-style-type: none"> <li>■ Nabijte akumulátor.</li> </ul>
	<ul style="list-style-type: none"> <li>■ Akumulátor není správně nainstalován v prostoru pro akumulátor.</li> </ul>	<ul style="list-style-type: none"> <li>■ Zasuňte akumulátor do prostoru pro akumulátor, dokud neuslyšíte „cvaknutí“.</li> </ul>
	<ul style="list-style-type: none"> <li>■ Rukojeť není zajištěna v pracovní poloze a indikátor stavu sekačky bliká zeleně.</li> </ul>	<ul style="list-style-type: none"> <li>■ Vypněte sekačku a ujistěte se, že je rukojeť zajištěna v jedné z pracovních poloh.</li> </ul>
	<ul style="list-style-type: none"> <li>■ Šasi sekačky je zanesené trávou a nečistotami.</li> </ul>	<ul style="list-style-type: none"> <li>■ Vyčistěte šasi sekačky a zkontrolujte, zda se může čepelová sada volně otáčet.</li> </ul>
Sekačka řeže nerovnoměrně.	<ul style="list-style-type: none"> <li>■ Čepelová sada je tupá.</li> </ul>	<ul style="list-style-type: none"> <li>■ Nabruste nebo vyměňte čepelovou sadu.</li> </ul>
	<ul style="list-style-type: none"> <li>■ Výška sekání není správně nastavená.</li> </ul>	<ul style="list-style-type: none"> <li>■ Posuňte výšku šasi do vyššího nastavení.</li> </ul>
	<ul style="list-style-type: none"> <li>■ Čepelová sada je nainstalována nesprávně.</li> </ul>	<ul style="list-style-type: none"> <li>■ Čepelovou sadu znovu nainstalujte podle pokynů v části „VÝMĚNA ČEPELOVÉ SADY“ v tomto návodu.</li> </ul>
	<ul style="list-style-type: none"> <li>■ Režim rychlosti čepelové sady není správně nastaven.</li> </ul>	<ul style="list-style-type: none"> <li>■ Vyberte správný režim rychlosti čepelové sady.</li> </ul>
Sekačka špatně mulčuje.	<ul style="list-style-type: none"> <li>■ Na spodní straně podvozku se usazuje posekaná tráva.</li> </ul>	<ul style="list-style-type: none"> <li>■ Počkejte, až tráva před sekáním uschne.</li> </ul>
	<ul style="list-style-type: none"> <li>■ Sekačka je nastavená tak, aby sekala příliš velké množství trávy najednou.</li> </ul>	<ul style="list-style-type: none"> <li>■ Nastavte šasi na větší výšku sekání.</li> </ul>
	<ul style="list-style-type: none"> <li>■ Režim rychlosti čepelové sady není správně nastaven.</li> </ul>	<ul style="list-style-type: none"> <li>■ Zvolte nižší nastavení rychlosti čepelové sady.</li> </ul>

CZ

PROBLÉM	PŘÍČINA	ŘEŠENÍ
Sekačka se při sečení nečekaně zastaví.	<ul style="list-style-type: none"> <li>■ Akumulátor je vybitý.</li> </ul>	<ul style="list-style-type: none"> <li>■ Nabijte akumulátor.</li> </ul>
	<ul style="list-style-type: none"> <li>■ Sekačka je přetížená a indikátor stavu sekačky bliká oranžově.</li> </ul>	<ul style="list-style-type: none"> <li>■ Zkontrolujte, zda se pod šasi nenahromadila tráva a v případě potřeby ji očistěte. Nastavte větší výšku sekání nebo zpomalte sekání.</li> </ul>
	<ul style="list-style-type: none"> <li>■ Šasi sekačky je zanesené trávou a nečistotami.</li> </ul>	<ul style="list-style-type: none"> <li>■ Vyčistěte šasi sekačky. Nastavte větší výšku sekání nebo sekejte užší pás.</li> </ul>
	<ul style="list-style-type: none"> <li>■ Akumulátor nebo obvody sekačky jsou příliš horké. Pokud je akumulátor přehřátý, indikátor stavu sekačky zhasne. Pokud je sekačka přehřátá, indikátor stavu sekačky svítí oranžově.</li> </ul>	<ul style="list-style-type: none"> <li>■ Nechte akumulátor nebo sekačku vychladnout.</li> </ul>
	<ul style="list-style-type: none"> <li>■ Režim rychlosti čepele není správně nastaven.</li> </ul>	<ul style="list-style-type: none"> <li>■ Zvolte nižší nastavení rychlosti čepele.</li> </ul>
	<ul style="list-style-type: none"> <li>■ Chyba elektroniky sekačky a indikátor stavu sekačky střídavě bliká červeně/zeleně.</li> </ul>	<ul style="list-style-type: none"> <li>■ Obráťte se na servisní středisko EGO.</li> </ul>
Sekačka vydává nadměrné vibrace.	<ul style="list-style-type: none"> <li>■ Žací čepelová sada je uvolněná.</li> </ul>	<ul style="list-style-type: none"> <li>■ Dotáhněte šroub čepele.</li> </ul>
	<ul style="list-style-type: none"> <li>■ Sestava žací čepelové sady je nevyvážená.</li> </ul>	<ul style="list-style-type: none"> <li>■ Obráťte se na servisní středisko EGO.</li> </ul>
	<ul style="list-style-type: none"> <li>■ Žací čepel je ohnutá.</li> </ul>	<ul style="list-style-type: none"> <li>■ Vyměňte čepel.</li> </ul>
	<ul style="list-style-type: none"> <li>■ Hřídel motoru je ohnutý.</li> </ul>	<ul style="list-style-type: none"> <li>■ Obráťte se na servisní středisko EGO.</li> </ul>
	<ul style="list-style-type: none"> <li>■ Sekačka je nastavená tak, aby sekala příliš velké množství trávy najednou.</li> </ul>	<ul style="list-style-type: none"> <li>■ Nastavte šasi na větší výšku sekání.</li> </ul>
<ul style="list-style-type: none"> <li>■ Režim rychlosti čepele není správně nastaven.</li> </ul>	<ul style="list-style-type: none"> <li>■ Nastavte rychlost čepele na nižší nastavení.</li> </ul>	
Motor funguje, ale čepelová sada neseká trávu.	<ul style="list-style-type: none"> <li>■ Čepelová sada není utažena na požadovaný moment.</li> </ul>	<ul style="list-style-type: none"> <li>■ Znovu utáhněte čepelovou sadu. Doporučený krouticí moment pro šroub čepele je 50 – 60 Nm.</li> </ul>
Obtížný pohyb knoflíku pro výběr zástřihu ze strany na stranu.	<ul style="list-style-type: none"> <li>■ Na horní části posuvných dveří se hromadí nadměrné množství posekané trávy.</li> </ul>	<ul style="list-style-type: none"> <li>■ Po každém použití šasi sekačky z ní odstraňte trávu.</li> </ul>

**CZ**

## ZÁRUKA

### ZÁRUČNÍ PODMÍNKY SPOLEČNOSTI EGO

Úplné záruční podmínky společnosti EGO naleznete na webové stránce [egopowerplus.eu](http://egopowerplus.eu).

## PREČÍTAJTE SI VŠETKY POKYNY!

**Zamýšľané použitie:** Výrobok je určený na ručné kosenie trávniká:

- Používajte len na kosenie suchej trávy. Nekoste mokrú trávu.
- Zariadenie nepoužívajte na iné účely.

**VAROVANIE:** Pred použitím tohto stroja si prečítajte a pochopte všetky bezpečnostné pokyny v tomto návode na obsluhu vrátane všetkých bezpečnostných výstražných symbolov ako napríklad „**NEBEZPEČENSTVO**“, „**VAROVANIE**“ a „**UPOZORNENIE**“. Nedodržanie nižšie uvedených pokynov môže mať za následok úraz elektrickým prúdom, požiar a/alebo vážne zranenie.

## BEZPEČNOSTNÉ SYMBOLY



Bezpečnostné upozornenie



Pri práci s týmto výrobkom vždy noste ochranu sluchu, ochranné okuliare alebo ochranné okuliare s postrannými krytmi a celotvárový štít.



Dávajte pozor na odhodnené predmety - nepúšťajte okoloidúcich do blízkosti.



Dodržiňte bezpečnú vzdialenosť rúk



Garantovaná hladina akustického výkonu.



Tento výrobok je v súlade s platnou legislatívou Spojeného kráľovstva.

IPX4

Ochrana pred striekajúcou vodou

mm

Milimeter



Jednosmerný prúd



Ak chcete znížiť riziko zranenia, používateľ musí pred použitím tohto výrobku prečítať a pochopiť návod na obsluhu.



Pred zmenou nastavení alebo čistením stroja ho vypnite a odstráňte odnímateľný akumulátor (alebo blokovacie zariadenie).



Ruky a nohy držte ďalej od čepeli



Nepozerajte sa do prevádzkového svetla.



Tento výrobok je v súlade s platnými smernicami ES.



Odpadové elektrické výrobky sa nesmú likvidovať spolu s domovým odpadom. Odovzdajte do autorizovaného recyklačného strediska.

V

Volt

cm


Centimeter

kg

Kilogram

SK

## TECHNICKÉ ÚDAJE

Napätie	56 V 	
Režim rýchlosti čepele	2	
	1	
	ECO	
Polohy výšky kosenia	8	
Nastavenie výšky rezu	25 mm/33 mm/43 mm/ 54 mm/66 mm/79 mm/ 92 mm/105 mm	
Rezná šírka	55 cm	
Objem vaku na trávú	85 l	
Hmotnosť kosačky (s vakom na trávú a akumulátorom BA6720T)	37 kg	
Model sady čepelí	AB2212D-E	
Odporúčaná prevádzková teplota	0 °C - 40 °C	
Odporúčaná skladovacia teplota	-20 °C - 70 °C	
Nameraná hladina akustického výkonu $L_{WA}$	95 dB(A) K=0,7 dB(A)	
Hladina akustického tlaku pri uchu obsluhy $L_{PA}$	83 dB(A) K=3 dB(A)	
Zaručená hladina akustického výkonu $L_{WA}$ (meraná podľa 2000/14/ES)	96 dB(A)	
Ohodnotenie vibrácií $a_h$ :	Ľavá rukoväť	1,35 m/s <sup>2</sup> K=1,5 m/s <sup>2</sup>
	Pravá rukoväť	1,35 m/s <sup>2</sup> K=1,5 m/s <sup>2</sup>

- Deklarovaná celková hodnota vibrácií bola meraná v súlade so štandardnou skúšobnou metódou a môže sa použiť na vzájomné porovnanie jednotlivých strojov.
- Uvádzaná celková hodnota vibrácie sa môže použiť aj na predbežný odhad expozície.

**VAROVANIE:** Emisia vibrácií pri skutočnom používaní stroja sa môže odlišovať od deklarovanej hodnoty, pri akej sa stroj používa. Za účelom ochrany obsluhy má používateľ v skutočných podmienkach použitia nosiť rukavice a ochranu sluchu.

**VAROVANIE:** Je potrebné určiť bezpečnostné opatrenia na ochranu obsluhy, ktoré sú založené na odhade expozície v skutočných podmienkach používania (berúc do úvahy všetky časti prevádzkového cyklu, ako napríklad časy, keď je náradie vypnuté a keď beží naprázdno, navyše k času spustenia).

## OBSAH BALENIA (OBR. A1 A A2)

NÁZOV DIELU	MNOŽSTVO
Kosačka na trávú	1
Vak na trávú	1
Konštrukcia zberného vaku	1
Návod na obsluhu	1

## POPIS

### ZOZNÁMTE SA S VAŠOU KOSAČKOU (Obr. A1 a A2)

- Rukoväť
- Bočná lišta
- Uzatvárateľné svorky rukoväte
- Zadné dvierka výsyvky
- Zdvihacia rukoväť
- Kryt priehradky pre akumulátor
- LED svetlomety
- Gombík na výber rezu
- Predné koleso
- Gombík na nastavenie výšky rezu
- Podvozok
- Prívod vzduchu
- Zadné koleso
- Páka rýchleho nastavenia
- Vak na trávú
- Tieniaci štít
- Spúšťač otáčania čepele
- Spúšťač samočinného pohonu
- Gombík regulácie rýchlosti samočinného pohonu
- Tlačidlo režimu rýchlosti čepele
- Hlavný vypínač
- Tlačidlo LED svetlometov
- Ikona LED svetlometov
- Kontrolka LED svetlometov
- Kontrolka stavu kosačky
- Ikona čepele

SK

27. Kontrolka režimu rýchlosti čepele
28. Ikona stavu kosačky

## MONTÁŽ

**VAROVANIE:** Ak akýkoľvek diel chýba, alebo je poškodený, nepoužívajte tento výrobok, kým nie sú vymenené diely. Ak používate tento výrobok s poškodenými alebo chýbajúcimi časťami, môže dôjsť k vážnemu zraneniu.

**VAROVANIE:** Pri montáži dielov vždy vyberte akumulátor zo stroja, aby ste zabránili náhodnému spusteniu, ktoré by mohlo spôsobiť vážne zranenia.

**VAROVANIE:** Nepokúšajte sa upravovať tento výrobok alebo vytvoriť príslušenstvo, ktoré nie je odporúčané na použitie s touto kosačkou. Každá takáto zmena alebo úprava je zneužitím a môže viesť k nebezpečnému stavu spôsobujúcemu vážne poranenie.

### ROZBALENIE

- Vyberte všetko príslušenstvo z kartónu.
- Súčasne uchopte prednú časť kosačky a zdvíhajúcu rukoväť, aby ste kosačku opatrne zdvihli a vytiahli z kartónu.

### NASTAVENIE SKLOPNEJ RUKOVÄTE

**VAROVANIE:** Kosačku sa pokúšajte spustiť až po zablokovaní rukoväte v jednej z troch prednastavených prevádzkových polôh: Horná pracovná poloha, stredná pracovná poloha a dolná pracovná poloha.

1. Stlačte a podržte páku rýchleho nastavenia, aby ste uvoľnili rukoväť zo ZAIŠTENEJ POLOHY PRE SKLADOVANIE (obr. B1).

B1-1	Páka rýchleho nastavenia
------	--------------------------

2. Zdvihnite rukoväť zo sklopenej polohy, potom uvoľnite páku. Jemne otočte rukoväť smerom nahor, až kým nebudete počuť a neucítite, že poistný kolík zapadol do jednej z polôh tak, ako je znázornené na obr. B2.

B2-1	Zafixovaná poloha pre skladovanie	B2-2	Pripojenie vaku na trávu/Poloha pre odstránenie
B2-3	Horná prevádzková poloha	B2-4	Stredná prevádzková poloha
B2-5	Dolná prevádzková poloha		

3. Úplne vsunite bočné lišty a bezpečne zatvorte uzatváratelnú svorku rukoväte (obr. B3).

**POZNÁMKA:** Motor nie je možné spustiť, ak:

- Bočné lišty sú celkom vysunuté.
- Zelená uzatváratelná svorka rukoväte nie je bezpečne zatvorená.
- Je rukoväť je blokováná v jednej z prevádzkových polôh.

### MONTÁŽ VAKU NA TRÁVU (Obr. C1, C2, C3)

Pred zostavením skontrolujte, či nie je vak na trávu poškodený.

Vak na trávu zostavte podľa obrázka.

### GOMBÍK NA VÝBER REZU (Obr. D)

Nastavte gombík na výber rezu do ktorejkoľvek z piatich polôh, aby ste dosiahli požadované výsledky kosenia.

Pomocou gombíka môžete nastaviť posuvné dvere z úplne otvorenej polohy „BAG“ do úplne zatvorenej polohy „MULCH“.

Nastavením gombíka na výber rezu možno splniť rôzne podmienky kosenia.

**Ak chcete zmeniť polohu gombíka,** vytiahnite gombík zo západky a nastavte ho do požadovanej polohy.

**POZNÁMKA:** Ak pri pohybe gombíka na výber rezu zo strany na stranu zaznamenáte vysoký odpor, na hornej strane posuvných dverí sa mohla nahromadiť prebytočná tráva. Po každom použití vyčistite trávu spod kosačky.

D-1	Posuvné dvere	D-2	Poloha „MULCH“
D-3	Gombík na výber rezu	D-4	Poloha „BAG“

### POLOHA POSUVNÝCH DVERÍ

Posuvné dvere možno polohovať tak, aby sa dosiahli rôzne výsledky kosenia. Ak chcete zistiť rozdiel medzi jednotlivými polohami, nainštalujte vak na trávu a začnite kosiť s gombíkom na výber rezu až do polohy „BAG“. Skontrolujte vzhľad trávniku. Keď sa gombík posunie smerom k polohe „MULCH“, do trávniku sa vráti viac trávy. Nastavte gombík na výber rezu, kým sa nedosiahne požadovaný výsledok. Výsledkom hybridného režimu vrecovania/mulčovania je čistý a jemný rez.

- **Gombík na výber rezu je v polohe „BAG“,** posuvné dvere sú úplne otvorené, čím sa všetka pokosená tráva dostane do vaku (obr. E1).
- **Gombík na výber rezu v hybridných polohách na vrecovanie/mulčovanie,** posuvné dvere sú čiastočne zatvorené. Niektoré odrezky sa dostanú do vrecu a niektoré sa jemne zmulčujú a nasmerujú na zem (obr. E2).

SK

- **Gombík na výber rezu je v polohe „MULCH“**, posuvné dvere sú úplne zatvorené. Všetky odrezky sa jemne mulčujú a odvádzajú na zem (obr. E3).

## BOČNÉ VYPRÁZDŇOVANIE

### Pripevnenie/odstránenie žľabu s bočným vyprázdňovaním (predáva sa samostatne)

**POZNÁMKA:** Pred použitím bočného vyprázdňovacieho žľabu sa uistite, že je spodná strana žacieho ústrojenstva čistá.

- Vyberte vak na trávu a nastavte gombík na výber rezu do polohy „BAG“.
- Nainštalujte žľab na bočné vyprázdňovanie do kosačky podľa obr. F.

## ÚPLNÉ POSIELANIE DO VAKU

### Pripevnenie/odstránenie vaku na trávu

**VAROVANIE:** Pri bežnom používaní podlieha vak na trávu opotrebovaniu. Vak na trávu často kontrolujte a vymeňte ho v prípade, že objavíte známky opotrebovania alebo poškodenia, čím znížite riziko poranenia. Používajte iba vaky na trávu vyrobené pre tento typ kosačky.

SK

**POZNÁMKA:** Pred použitím vaku na trávu sa uistite, že je spodná strana kosačky čistá.

- Odstráňte bočný vyprázdňovací žľab a nastavte gombík na výber rezu do polohy „BAG“.
- Vak na trávu nainštalujte do kosačky tak, ako je znázornené na obrázku G.

## ÚPLNÉ MULČOVANIE (Obr. H)

- Odstráňte vak na trávu.
- Uvoľnite zadné výstupné dvierka.
- Nastavte gombík na výber rezu do polohy „MULCH“.

## HYBRIDNÉ POSIELANIE DO VAKU/MULČOVANIE (Obr. J)

- Pripevnite vak na trávu.
- Nastavte gombík na výber rezu do jednej z troch hybridných polôh na vrecovanie/mulčovanie.

**POZNÁMKA:** Keď sa gombík na výber rezu posunie smerom k polohe „MULCH“, do trávnik sa vráti viac trávy.

Keď sa gombík na výber rezu posunie smerom k polohe „BAG“, viac trávy sa vyhodí cez zadný výsyp do vaku na trávu.

## NASTAVENIE VÝŠKY KOSENIA (Obr. K)

Dbajte na to, aby boli vaše nohy v bezpečnej vzdialenosti od spodnej strany kosačky pri nastavovaní jej výšky.

Kosačku možno nastaviť na 8 výšok kosenia od 25 mm do 105 mm. Označenie ukazuje zvolenú výšku rezu.

Vyberte si správnu výšku kosenia podľa typu a stavu trávy.

1. Vypnite kosačku a počkajte, kým sa žacia čepeľ úplne zastaví.
2. Vyberte akumulátor.
3. Vytiahnite páčku nastavenia výšky kosenia zo západky a nastavte ju do požadovanej polohy.

**POZNÁMKA:** Aby ste zabránili preťaženiu motora, nenastavujte príliš nízku výšku kosenia vo vysokej trávě. Ak sa otáčky motora začnú spomaľovať, zvýšte výšku rezu.

## PREVÁDZKA

Vždy vyberte akumulátor z výrobu pri montáži dielov, vykonávaní úprav, čistení, alebo keď sa nepoužíva. Vybratie akumulátora zabráni náhodnému spusteniu, ktoré by mohlo viesť k vážnemu zraneniu.

## PRIPOJENIE/ODPOJENIE AKUMULÁTORA (Obr. L)

Používajte iba s akumulátormi EGO a nabíjačkami uvedenými na obr. A3.

Ďalšie podrobnosti nájdete v príslušných návodoch pre akumulátory a nabíjačky.

### Pred prvým použitím akumulátor úplne nabite.

1. Zdvihnite kryt priehradky na akumulátory zdvihnutím prednej časti krytu.
2. Ak chcete akumulátor **pripevniť**, zarovnajre rebrá akumulátora s montážnymi otvormi a zatlačte akumulátor nadol, kým nebudete počuť „cvaknutie“.
3. Ak chcete akumulátor **odpojiť**, stlačte tlačidlo na uvoľnenie akumulátora a vytiahnite ho.
4. Zatvorte kryt priehradky na akumulátor.

**POZNÁMKA:** Pred použitím sa uistite, že západka na kosačke zapadla na svoje miesto a že akumulátor je pripevnený ku kosačke.

## VÝBER RÝCHLOSTI OTÁČOK ČEPELE (Obr. M)

- **Režim 2** je režim vysokých otáčok čepele pre vysoký zdvihový výkon na zlepšenie scacieho výkonu alebo rezného výkonu.
- **Režim 1** predstavuje najlepšiu rovnováhu medzi výkonom a prevádzkovou dobou.
- **Režim ECO** zabezpečuje najnižšiu hladinu hluku a najdlhší čas prevádzky akumulátora.

**POZNÁMKA:** Otáčky čepele nie je možné nastaviť počas prevádzky. Zmena sa prejaví až po zastavení a opätovnom spustení motora.

Postupným stláčaním tlačidla režimu otáčok čepele vyberte jeden z režimov 2, 1 alebo ECO.

**POZNÁMKA:** Predvolený režim rýchlosti čepele je 1.

M-1	Indikátor rýchlosti čepele	M-2	Tlačidlo režimu rýchlosti čepele
-----	----------------------------	-----	----------------------------------

## SPUSTENIE/ZASTAVENIE KOSAČKY

Výrobok sa môže používať v daždi.

**VAROVANIE:** Používanie akejkoľvek kosačky môže spôsobiť vymrštenie cudzích predmetov do očí, čo môže mať za následok vážne poškodenie zraku. Pri obsluhu kosačky alebo pri vykonávaní akýchkoľvek úprav alebo opráv na kosačke vždy noste ochranné okuliare.

**POZNÁMKA:** Nôž sa bude ešte naďalej točiť počas niekoľkých sekúnd aj po vypnutí kosačky. Pred opätovným spustením nechajte motor/nôž úplne zastaviť. Nezapínajte a nevypínajte kosačku v rýchlom slede za sebou.

**VAROVANIE:** Zastavte čepeľ, ak chcete kosačku nakloniť kvôli preprave pri prechádzaní iných povrchov než trávy a pri preprave kosačky z a do oblasti, ktorá sa má kosiť.

**VAROVANIE:** Pri štartovaní zapínania motora kosačku nenakláňajte, okrem prípadu, keď sa musí kosačka na spustenie nakloniť. V tom prípade ho nenakláňajte viac, než je nevyhnutné a zodvihnite iba časť, ktorá je ďalej od používateľa.

Pred použitím vždy vizuálne skontrolujte, či čepeľ a skrutka čepele nie sú opotrebované alebo poškodené. Vymeňte opotrebované alebo poškodené čepele a skrutky naraz, aby ste zachovali rovnováhu.

### Skontrolujte, či nie je zablokovaná čepeľ

- Aby ste predišli zablokovaniu, udržiajte žaciu čepeľ a kosačku čisté. Pred a po každom použití odstráňte pokosenú trávu, listie, špinu a akékoľvek iné nahromadené nečistoty.
- Ak dôjde k zablokovaniu, zastavte kosačku a vyberte akumulátor, potom odstráňte všetky nánosy trávy a listia na hnacom hriadeľi a ventilátore motora alebo v ich okolí. Poutierajte kosačku dočista vlhkou handričkou.

**UPOZORNENIE:** Nepokúšajte sa obchádzať činnosť tlačidla napájania a spúšťača otáčania žacej čepele.

**POZNÁMKA:** Motor nie je možné spustiť, pokiaľ nebude rukoväť zablokovaná v jednej z troch prevádzkových polôh.

## Spustenie kosačky (Obr. N1 a N2)

1. Pripojte akumulátor ku kosačke a zatvorte rýtky priehradky pre akumulátor.
2. Stlačením tlačidla napájania rozsvietíte prístrojovú dosku a rozsvieti sa kontrolka stavu kosačky - kontrolka rýchlosti čepele pre režim 1.
3. Stlačením tlačidla režimu otáčok čepele vyberte požadovanú rýchlosť.
4. Stlačte a podržte tlačidlo napájania.
5. So stlačeným tlačidlom napájania potiahnite spúšť otáčania žacej čepele tak, aby sa stretol s rukoväťou, a uvoľnite tlačidlo napájania.

## Zastavenie kosačky (Obr. N3)

1. Úplne uvoľnite spínač otáčania žacej čepele.
2. Elektrická brzda automatického brzdného mechanizmu zastaví otáčanie žacej čepele do 3 sekúnd po uvoľnení pákového prepínača.

## SAMOHYBNÝ SYSTÉM S PREMENLIVOU RÝCHLOSŤOU (Obr. P)

Kosačka je vybavená samohybným pohonom s premenlivou rýchlosťou. Tento samohybný systém je nezávislý od otáčania lopatiek.

### Ovládanie samohybného systému bez otáčania lopatiek

1. Stlačením tlačidla napájania rozsvietíte prístrojovú dosku.
2. Mierne otáčajte ovládačom rýchlosti samočinného pohonu dopredu, kým sa nezozve cvaknutie, a potom stlačte spúšťače samočinného pohonu. K dispozícii sú dva spúšťače samočinného pohonu, stlačením ktoréhokoľvek z nich spustíte funkciu samočinného pohonu.

Na vypnutie spúšťač samohybného pohybu uvoľnite.

P-1	Gombík regulácie rýchlosti samočinného pohonu	P-2	Spúšťač samočinného pohonu
-----	---	-----	----------------------------

## LED SVETLOMETY (Obr. Q)

**Ak chcete zapnúť svetlomety,** stlačte tlačidlo LED svetiel. Vďaka svetlomedom dochádza k jasnému osvetleniu oblasti pred kosačkou.

**Ak chcete vypnúť svetlomety,** stlačte tlačidlo znova.

SK

## KONTROLKY STAVU KOSAČKY (Obr. A2)

Kontrolka stavu kosačky na prístrojovej doske zobrazuje pracovný stav kosačky.

Kontrolka	Popis	Význam	Akcia
	Svietiaca zelená	Kosačka pracuje správne.	Nevyžaduje sa.
	Blikajúca zelená	Bočné lišty nie sú úplne vysunuté.	Zastavte kosačku a uistite sa, že bočné lišty sú úplne vysunuté.
		Rukoväť nie je nastavená do prevádzkovej polohy.	Zastavte kosačku a skontrolujte, či je rukoväť zaistená v jednej z troch prevádzkových polôh.
	Blikajúca červená	Nizka úroveň nabitia akumulátora.	Zastavte kosačku a nabite akumulátor.
	Svietiaca oranžová	Kosačka je prehriata.	Uvoľnite spínač poistky a počkajte, kým teplota kosačky neklesne pod 80 °C. <b>Prečítajte si časť „OCHRANA KOSAČKY PRED PREHRIATÍM“ nižšie.</b>
	Blikajúca oranžová	Kosačka je preťažená.	<ol style="list-style-type: none"> <li>1. Vyberte akumulátor a potom skontrolujte, či sa pod ním nenahromadila tráva. V prípade potreby vyčistite.</li> <li>2. Spomaľte krok pri kosení.</li> <li>3. Zvýšte výšku kosenia.</li> <li>4. Ak uvedené riešenia nefungujú, obráťte sa na zákaznícky servis spoločnosti EGO.</li> </ol> <b>Prečítajte si časť „OCHRANA KOSAČKY PRED PREHRIATÍM“ nižšie.</b>
	Striedavé blikanie červenej a zelenej	Chyba elektroniky kosačky.	Kontaktujte zákaznícky servis EGO.

SK

### OCHRANA KOSAČKY PRED PREHRIATÍM

Ak teplota kosačky počas prevádzky prekročí 90 °C, obvod teplotnej ochrany okamžite vypne kosačku, aby sa zabránilo poškodeniu spôsobenému prehriatím.

Indikátor stavu kosačky bude svietiť na oranžovo. Uvoľnite spúšťač otáčania žacej čepele a počkajte, kým sa prehriata kosačka neochladí a indikátor stavu sa nezmení na zelenú. Kosačku potom možno znova spustiť.

### OCHRANA PROTI PREŤAŽENIU KOSAČKY

Aby nedošlo k poškodeniu v dôsledku preťaženia, snažte sa nekosiť príliš veľa trávy naraz. Spomaľte krok alebo zvýšte výšku kosenia.

Kosačka má vstavanú ochranu proti preťaženiu obvodu. Keď je kosačka preťažená, motor sa zastaví a kontrolka napájania na kosačke bude blikať oranžovo.



## ÚDRŽBA

**VAROVANIE:** Aby ste predišli vážnemu zraneniu osôb, pred čistením, údržbou alebo prepravou kosačky vždy vypnite kosačku, vyberte akumulátor a uistite sa, že sa všetky pohyblivé časti úplne zastavili.

**VAROVANIE:** Vždy vykonávajte pravidelnú údržbu stroja.

**VAROVANIE:** Zastavte stroj a vyberte akumulátor, aby ste sa uistili, že všetky pohyblivé časti sa po náraze do cudzieho predmetu úplne zastavili, a aby ste pred opätovným spustením a prevádzkou stroja skontrolovali, či nie je poškodený, a vykonajte opravy.

**VAROVANIE:** Zastavte stroj a vyberte akumulátor, aby ste sa uistili, že sa všetky pohyblivé časti úplne zastavili, ak stroj začne abnormálne vibrovať, a potom okamžite skontrolujte, či nie je poškodený, vymeňte alebo opravte akékoľvek poškodené diely a skontrolujte a utiahnite všetky uvoľnené časti.

**VAROVANIE:** Pri údržbe používajte iba originálne náhradné diely. Použitie iných častí môže vyvolať nebezpečenstvo, alebo spôsobiť poškodenie výrobku. Pre zaistenie bezpečnosti a spoľahlivosti je nevyhnutné, aby všetky opravy vykonával len kvalifikovaný servisný technik.

### ČISTENIE KOSAČKY

Spodnú stranu konštrukcie kosačky je potrebné čistiť po každom použití, aby ste zabránili hromadeniu pokosenej trávy, lístia, hliny a iných nečistôt.

Odstráňte všetky nánosy trávy a lístia na hnacom hriadeľi a ventilátore motora alebo v ich okolí. Poutierajte kosačku dočista vlhkou handričkou.

### VÝMENA SÚPRAVY ČEPELÍ (Obr. R1, R2, R3)

**VAROVANIE:** Vždy vyberte akumulátor a vak na trávu.

**VAROVANIE:** Vždy používajte ochranné rukavice.

**POZNÁMKA:** Pred inštaláciou čepeľovej súpravy dôkladne vyčistite oblasť hnacieho hriadeľa a spodnú časť stroja.

1. Otočte kosačku hore nohami.
2. Odstráňte/montujte súpravu čepeľí pomocou momentového kľúča a dvoch kovových tyčí ako pomôcku podľa obrázka.
3. Potlačená strana žacej čepele smeruje von.

### USKLADNENIE KOSAČKY (Obr. S1 a S2)

- Vyberte akumulátor z kosačky a uložte ho na chladnom, suchom a čistom mieste. Neskladujte ho v blízkosti korozívnych materiálov, ako sú hnojivá alebo kamenná soľ.
- Pred uskladnením vyprázdňte vak na trávu.
- Pred uskladnením vždy nechajte kosačku vychladnúť.
- Čistenie a údržba pred uskladnením.
- Skladujte kosačku v zastrešenom, uzavretom, chladnom a suchom priestore, mimo dosahu detí.
- Nezakrývajte kosačku pevnou plastovou fóliou. Plastové obaly zachytávajú vlhkosť okolo kosačky, čo spôsobuje koróziu.
- Kosačku možno skladovať na plocho alebo vo zvislej polohe (obr. S1 a S2).

**VAROVANIE:** Ak sa kosačka začne preklápať zo zvislej polohy, môže dôjsť k jej poškodeniu či zraneniu osôb. Dávajte pozor na to, aby bola kosačka stabilná a mimo dosahu detí, ak je vo zvislej polohe. Pokiaľ je možné, skladujte ju nalezato.

### OCHRANA ŽIVOTNÉHO PROSTREDIA



Nevyhadzujte elektrické spotrebiče ako netriedený komunálny odpad, použite oddelené zberné zariadenia.

Obráťte sa na vaše miestne zastupiteľstvo pre informácie týkajúce sa dostupných systémov triedeného zberu odpadu.

Ak sú elektrické spotrebiče likvidované na neorganizovaných skládkach alebo smetiskách, môžu nebezpečné látky unikať do podzemných vôd, dostať sa do potravinového reťazca a poškodzovať zdravie.

SK

## ODSTRAŇOVANIE PORÚCH

PROBLÉM	PRÍČINA	RIEŠENIE
Kosačka alebo funkcia samohybného pohonu sa nespustí.	<ul style="list-style-type: none"> <li>■ Akumulátor je vybitý.</li> </ul>	<ul style="list-style-type: none"> <li>■ Nabite akumulátor.</li> </ul>
	<ul style="list-style-type: none"> <li>■ Akumulátor nie je správne vložený do priestoru pre akumulátor.</li> </ul>	<ul style="list-style-type: none"> <li>■ Vložte akumulátor do priestoru pre akumulátor, kým nebudete počuť „cvaknutie“.</li> </ul>
	<ul style="list-style-type: none"> <li>■ Rukoväť nie je zaistená v pracovnej polohe a indikátor stavu kosačky bliká na zeleno.</li> </ul>	<ul style="list-style-type: none"> <li>■ Zastavte kosačku a skontrolujte, či je rukoväť zaistená v jednej z prevádzkových polôh.</li> </ul>
	<ul style="list-style-type: none"> <li>■ Spodná strana kosačky je upchatá trávou a nečistotami.</li> </ul>	<ul style="list-style-type: none"> <li>■ Vyčistite spodnú stranu kosačky a uistite sa, že sa čepeľová súprava voľne pohybuje.</li> </ul>
Kosačka kosi nerovnomerne.	<ul style="list-style-type: none"> <li>■ Čepeľová súprava je tupá.</li> </ul>	<ul style="list-style-type: none"> <li>■ Naostrite alebo vymeňte čepeľovú súpravu.</li> </ul>
	<ul style="list-style-type: none"> <li>■ Výška kosenia trávy nie je správne nastavená.</li> </ul>	<ul style="list-style-type: none"> <li>■ Nastavte výšku platformy na vyššiu hodnotu.</li> </ul>
	<ul style="list-style-type: none"> <li>■ Čepeľová súprava je nesprávne nainštalovaná.</li> </ul>	<ul style="list-style-type: none"> <li>■ Znovu nainštalujte čepeľovú súpravu podľa kapitoly „VÝMENA SÚPRAVY ČEPELÍ“ v tejto príručke.</li> </ul>
	<ul style="list-style-type: none"> <li>■ Režim otáčok žacej čepele nie je správne nastavený.</li> </ul>	<ul style="list-style-type: none"> <li>■ Zvoľte správny režim otáčok žacej čepele.</li> </ul>
Kosačka nemulčuje správne.	<ul style="list-style-type: none"> <li>■ Mokrú odrezky trávy sú prilepené na spodnú stranu podvozku.</li> </ul>	<ul style="list-style-type: none"> <li>■ Pred kosením nechajte trávu vyschnúť.</li> </ul>
	<ul style="list-style-type: none"> <li>■ Kosačka je nastavená na kosenie príliš veľkého množstva trávy naraz.</li> </ul>	<ul style="list-style-type: none"> <li>■ Zdvihnite spodnú stranu pre nastavenie vyššej výšky kosenia.</li> </ul>
	<ul style="list-style-type: none"> <li>■ Režim otáčok žacej čepele nie je správne nastavený.</li> </ul>	<ul style="list-style-type: none"> <li>■ Zvoľte nižšiu rýchlosť otáčok žacej čepele.</li> </ul>

SK

PROBLÉM	PRÍČINA	RIEŠENIE
Kosačka sa počas kosenia neočakávane zastaví.	<ul style="list-style-type: none"> <li>■ Akumulátor je vybitý.</li> </ul>	<ul style="list-style-type: none"> <li>■ Nabite akumulátor.</li> </ul>
	<ul style="list-style-type: none"> <li>■ Kosačka je preťažená a indikátor stavu kosačky bliká na oranžovo.</li> </ul>	<ul style="list-style-type: none"> <li>■ Skontrolujte, či sa pod plošinou nenahromadila tráva, a v prípade potreby ju vyčistite. Zvýšte výšku kosenia alebo spomaľte kosenie.</li> </ul>
	<ul style="list-style-type: none"> <li>■ Spodná strana kosačky je upchatá trávou a nečistotami.</li> </ul>	<ul style="list-style-type: none"> <li>■ Vyčistite spodnú stranu kosačky. Nastavte vyššiu výšku kosenia alebo koste úzky pás trávy.</li> </ul>
	<ul style="list-style-type: none"> <li>■ Akumulátor alebo obvody kosačky sú príliš horúce. Ak dôjde k prehriatiu akumulátora (akumulátorov), indikátor stavu kosačky zhasne. Po prehriatí kosačky sa indikátor stavu kosačky rozsvieti na oranžovo.</li> </ul>	<ul style="list-style-type: none"> <li>■ Nechajte akumulátor alebo kosačku vychladnúť.</li> </ul>
	<ul style="list-style-type: none"> <li>■ Režim otáčok žacej čepele nie je správne nastavený.</li> </ul>	<ul style="list-style-type: none"> <li>■ Zvoľte nižšiu rýchlosť otáčok žacej čepele.</li> </ul>
	<ul style="list-style-type: none"> <li>■ Chyba elektroniky kosačky a indikátor stavu kosačky bliká striedavo červeno/zeleno.</li> </ul>	<ul style="list-style-type: none"> <li>■ Kontaktujte servisné stredisko EGO.</li> </ul>
Sú prítomné nadmerné vibrácie.	<ul style="list-style-type: none"> <li>■ Žacia čepeľová súprava je uvoľnená.</li> </ul>	<ul style="list-style-type: none"> <li>■ Uťahnite skrutku čepele.</li> </ul>
	<ul style="list-style-type: none"> <li>■ Žacia čepeľová súprava je nevyvážená.</li> </ul>	<ul style="list-style-type: none"> <li>■ Kontaktujte servisné stredisko EGO.</li> </ul>
	<ul style="list-style-type: none"> <li>■ Žacia čepeľ je ohnutá.</li> </ul>	<ul style="list-style-type: none"> <li>■ Vymeňte čepeľ.</li> </ul>
	<ul style="list-style-type: none"> <li>■ Hriadeľ motora je ohnutý.</li> </ul>	<ul style="list-style-type: none"> <li>■ Kontaktujte servisné stredisko EGO.</li> </ul>
	<ul style="list-style-type: none"> <li>■ Kosačka je nastavená na kosenie príliš veľkého množstva trávy naraz.</li> </ul>	<ul style="list-style-type: none"> <li>■ Zdvihnite spodnú stranu pre nastavenie vyššej výšky kosenia.</li> </ul>
	<ul style="list-style-type: none"> <li>■ Režim otáčok žacej čepele nie je správne nastavený.</li> </ul>	<ul style="list-style-type: none"> <li>■ Nastavte nižšiu rýchlosť otáčok žacej čepele.</li> </ul>
Motor funguje, ale čepeľová súprava nekosi trávu.	<ul style="list-style-type: none"> <li>■ Čepeľová súprava nie je utiahnutá na požadovaný moment.</li> </ul>	<ul style="list-style-type: none"> <li>■ Opätovne utiahnite čepeľovú súpravu. Odporúčaný moment pre skrutku čepele je 50 – 60 Nm.</li> </ul>
Problematický pohyb gombíka na výber rezu zo strany na stranu.	<ul style="list-style-type: none"> <li>■ Nadmerné množstvo pokosenej trávy sa nahromadilo na hornej časti posúvača.</li> </ul>	<ul style="list-style-type: none"> <li>■ Po každom použití dvierok vyčistite kosačku od trávy.</li> </ul>

**SK**

## ZÁRUKA

### ZÁRUČNÁ POLITIKA EGO

Úplné znenie záručných podmienok EGO nájdete na webovej stránke [egopowerplus.eu](http://egopowerplus.eu).

## OLVASSA EL AZ ÖSSZES UTASÍTÁST!

**Rendeltetésszerű használat:** A termék manuális fűnyírásra szolgál:

- Csak száraz fű nyírására használja. Ne nyírjon nedves fűvet.
- Ne használja más célokra.

**▲ FIGYELMEZTETÉS:** A szerszám használata előtt feltétlenül olvassa el és értse meg a jelen kezelési útmutatóban található valamennyi biztonsági utasítást, valamint a „VESZÉLY”, „FIGYELMEZTETÉS”, és „FIGYELEM” biztonsági figyelmeztető szimbólumokat is. Az alább felsorolt utasítások be nem tartása áramütést, tűzveszélyt és/vagy súlyos személyi sérülést idézhet elő.

## BIZTONSÁGI SZIMBÓLUMOK



Biztonsági figyelmeztetés



Mindig viseljen hallásvédelmet, védőszemüveget vagy oldalsó védőlemezzel ellátott védőszemüveget és teljes védőárlapot a termék működtetése közben.



Ügyeljen a repülő tárgyakra; tartsa távol a nézelődőket.



Tartsa távol a kezét



Garantált hangteljesítményszint.



Ez a termék megfelel az Egyesült Királyság hatályos jogszabályainak.

IPX4 Fröccsenő víz elleni védelem

mm Milliméter

⎓ Egyenáram



A sérülések kockázatának csökkentése érdekében a használónak a termék használata előtt el kell olvasnia és meg kell értenie a használati útmutatót.



Beállítás vagy tisztítás előtt kapcsolja ki a gépet, és vegye ki a kivehető akkumulátoregységet (vagy helyezze üzemen kívül a gépet).



Tartsa távol kezét és lábát a késektől



Ne nézzen a bekapcsolt lámpába.



A termék megfelel az érvényes EK irányelveknek.



Az elhasznált elektromos termékek nem helyezhetők a háztartási hulladékok közé. Vigye hivatalos újrahasznosító telephelyre.

V Volt

cm Centiméter

kg Kilogramm

## JELLEMZŐK

Feszültség	56 V	
Késsebesség mód	2	
	1	
	ECO	
Vágási magasság pozíciók	8	
Vágási magasság beállítása	25 mm/33 mm/43 mm/ 54 mm/66 mm/79 mm/ 92 mm/105 mm	
Vágásszélesség	55 cm	
Fűgyűjtő zsák térfogata	85 L	
Fűnyíró súlya (fűgyűjtő zsákkal és BA6720T akkumulátorral)	37 kg	
Készlet típusa	AB2212D-E	
Javasolt üzemi hőmérséklet	0°C - 40°C	
Javasolt tárolási hőmérséklet	-20°C - 70°C	
Mért hangteljesítmény szint $L_{WA}$	95 dB(A) K=0,7 dB(A)	
Hangnyomásszint a kezelő fülénél $L_{PA}$	83 dB(A) K=3 dB(A)	
Garantált hang teljesítményszint $L_{WA}$ (a 2000/14/EK szerint mérve)	96 dB(A)	
Vibráció értéke $a_h$ :	Baloldali fogantyú	1,35 m/s <sup>2</sup> K=1,5 m/s <sup>2</sup>
	Jobboldali fogantyú	1,35 m/s <sup>2</sup> K=1,5 m/s <sup>2</sup>

- A névleges rezgési összérték mérése standard vizsgálati módszerrel történt, és használatával a gépek egymással összehasonlíthatók.
- A névleges rezgési összérték a kockázat előzetes felméréséhez is felhasználható.

**▲ FIGYELMEZTETÉS:** A rezgés-kibocsátás a gép aktuális használata közben eltérhet attól a névleges értéktől, amellyel a gépet használják: a kezelő védelme érdekében a felhasználónak kesztyűt és fülvédőt kell használnia a tényleges használati körülmények mellett.

**▲ FIGYELMEZTETÉS:** A kezelő védelmét szolgáló biztonsági intézkedések is változhatnak, amelyek a tényleges használati körülmények közötti kitétség becslésén alapulnak (figyelembe véve a működési ciklus minden részét, például azt az időt, amikor a szerszám ki van kapcsolva, vagy amikor a kioldási idő mellett üresjáratban jár).

## A CSOMAG TARTALMA (A1 ÉS A2 ÁBRA)

ALKATRÉSZ NEVE	MENNYISÉG
Fűnyíró	1
Fűgyűjtő zsák	1
Fűgyűjtő zsák keret	1
Használati útmutató	1

## LEÍRÁS

### ISMERJE MEG FŰNYÍRÓJÁT (A1 és A2 ábra)

1. Markolat
2. Oldalsó állvány
3. Fogantyú lezáró kapocs
4. Hátsó fűgyűjtő ajtó
5. Emelő fogantyú
6. Akkumulátor tartó fedél
7. LED-lámpák
8. Nyesedék választó gomb
9. Elülső kerék
10. Vágásmagasság beállító gomb
11. Burkolat
12. Levegőbemenet
13. Hátsó kerék
14. Gyorsbeállító kar
15. Fűgyűjtő zsák
16. Védőlemez
17. Késforgás kapcsoló
18. Önjáró kapcsoló
19. Önjáró sebességszabályozó tárcsa
20. Késsebesség mód gomb
21. Főkapcsoló gomb
22. LED-lámpák gomb
23. LED-lámpák ikon
24. LED-lámpák jelző
25. Fűnyíró állapotjelző

HU

26. Kés ikon
27. Késsebesség üzemmód jelző
28. Fűnyíró állapotjelző ikon

## ÖSSZESZERELÉS

**▲ FIGYELMEZTETÉS:** Ha bármely alkatrész sérült vagy hiányzik, akkor addig ne használja a terméket, amíg az alkatrész(ek) cseréje meg nem történik. Sérült vagy hiányzó alkatrészekkel történő használat súlyos személyi sérülést okozhat.

**▲ FIGYELMEZTETÉS:** Az akár súlyos személyi sérülést okozó véletlenszerű indítás elkerülése érdekében mindig vegye ki az akkumulátoregységet a gépből, amikor összeszereli az alkatrészeket.

**▲ FIGYELMEZTETÉS:** Ne próbálja megváltoztatni a terméket, és ne készítsen hozzá tartozékokat, amelyek használata nem javasolt ehhez a géphez. Bármilyen módosítás vagy változtatás helytelen használatnak minősül, és veszélyes feltételeket teremthet, amely személyi sérüléssel végződhet.

### KICSOMAGOLÁS

- Vegye ki az összes tartozékot a kartondobozból.
- Fogja meg a fűnyíró elejét és az emelőfogantyút egyszerre, majd óvatosan emelje fel a fűnyírót és emelje ki a dobozból.

### AZ ÖSSZECSUKHATÓ FOGANTYÚ BEÁLLÍTÁSA

**▲ FIGYELMEZTETÉS:** Ne próbálja meg elindítani a fűnyírót, amíg a fogantyút nem rögzítette a három előre beállított működési pozíció valamelyikében: **FELSŐ MŰKÖDÉSI POZÍCIÓ**, **KÖZÉPSŐ MŰKÖDÉSI POZÍCIÓ** és **ALSÓ MŰKÖDÉSI POZÍCIÓ**.

1. Nyomja meg, és tartsa lenyomva a gyors beállító kart a fogantyú **LEZÁRT TÁROLÁSI POZÍCIÓBÓL** való kioldásához (B1 ábra).

B1-1	Gyorsbeállító kar
------	-------------------

2. Vegye ki a fogantyút az összezsukott pozícióból, majd oldja ki a kart. Finoman fordítsa a fogantyút felfelé, amíg a rögzítőcsap kattánását nem hallja, és nem érzi a alábbi B2 ábrán látható különböző pozíciók egyikében.

B2-1	Rögzített tárolási pozíció	B2-2	Fűgyűjtő zsák csatlakoztatási/levélteli pozíció
B2-3	Felső működési pozíció	B2-4	Középső működési pozíció
B2-5	Alsó működési pozíció		

3. Teljesen húzza ki az oldalsó síneket, és rögzítse a fogantyúrögzítő kapcsot (B3 ábra).

**MEGJEGYZÉS:** A motor nem tud elindulni, amíg:

- Az oldalsó állványok teljesen ki vannak húzva.
- A zöld fogantyúrögzítő kapocs nincs biztonságosan lezárva.
- A fogantyút a működési pozíciók egyikébe nem állítja.

### A FÜGYŰJTŐ ZSÁK ÖSSZESZERELÉSE (C1, C2, C3 ábra)

Összeszerelés előtt ellenőrizze a fűgyűjtő zsákat, hogy nincs-e rajta sérülés.

Szerelje össze a fűzsákat az ábrának megfelelően.

### NYESEDÉK VÁLASZTÓ GOMB (D ábra)

Állítsa a nyesedék választó gombot a kívánt nyírási eredmények eléréséhez az öt állás valamelyikébe.

A gomb segítségével a tolóajtót a teljesen nyitott „BAG” állásból a teljesen zárt „MULCH” állásba lehet állítani.

A nyesedék választó gomb beállításával különböző nyírási feltételek teljesíthetők.

**A gomb újrapozicionálásához húzza ki a gombot a mélyedésből, és állítsa a kívánt pozícióba.**

**MEGJEGYZÉS:** Ha a nyesedék választó gomb oldalirányú mozgásakor nagy ellenállást érez, akkor a tolóajtó tetején túlzottan sok fű gyűlt össze. Minden használat után távolítsa el a fűvet a fűnyírófedél alatt.

D-1	Tolóajtó	D-2	„MULCH” pozíció
D-3	Nyesedék választó gomb	D-4	„BAG” pozíció

### TOLÓAJTÓ POZÍCIÓ

A tolóajtó a különböző nyírási eredmények elérése érdekében pozicionálható. A pozíciók közötti különbség megismeréséhez helyezzen be egy fűgyűjtő zsákot, és kezdjen el nyírni úgy, hogy a fűgyűjtő gombot egészen a „BAG” állásba állítja. Ellenőrizze a gyepp megjelenését. Ahogy a gombot a „MULCH” állás felé mozgatja, több fű kerül vissza a gyepebe. Állítsa be a nyesedék választó gombot a kívánt eredmény eléréséig. A zsákolás/

mulcsozás hibrid üzemmód tiszta és finom vágást eredményez.

- **Amikor a választógomb a „BAG” állásban van, a tolóajtó teljesen nyitva van, így az összes fűnyesedék a zsákba kerülhet (E1 ábra).**
- **Amikor a nyesedék választógomb a zsákolás/mulcsozás hibrid állásban van, a tolóajtó részben zárva van. A nyesedék egy része a zsákba kerül, egy része pedig finomra mulcsozva a talajra kerül (E2 ábra).**
- **Amikor a nyesedék választógomb „MULCH” állásban van, a tolóajtó teljesen zárva van. A nyesedéket finom mulcsozza és a talajra irányítja a szerszám (E3 ábra).**

## OLDALSÓ ÜRÍTÉS

**Az oldalsó ürítőcsatorna (külön megvásárolható) fel- és leszerelése/levétele**

**MEGJEGYZÉS:** Győződjön meg róla, hogy a fedélzet alja tiszta, mielőtt az oldalsó ürítőcsatornát használná.

- Vegye ki a fűgyűjtő zsákat, és állítsa a nyesedék választó gombot a „BAG” pozícióra.
- Szerelje be az oldalsó ürítő csatornát a fűnyíróba az F ábrán látható módon.

## TELE ZSÁK

**A fűgyűjtő zsák felszerelése/levétele**

**▲ FIGYELMEZTETÉS:** Normál használat esetén a fűgyűjtő zsák anyaga elhasználódik. A sérülések kockázatának csökkentése érdekében gyakran ellenőrizze a fűzsákat, és cserélje ki, ha kopás vagy állagromlás jeleit észleli. Csak az ehhez a fűnyíróhoz gyártott fűgyűjtő zsákat használja.

**MEGJEGYZÉS:** A fűgyűjtő zsák használata előtt győződjön meg arról, hogy a fűnyírófedélzet alja tiszta.

- Vegye ki az oldalsó ürítőcsatornát, és állítsa a nyesedék választó gombot a „BAG” pozícióra.
- Szerelje be a fűzsákat a fűnyíróba a G ábrán látható módon.

## TELJES MULCSOZÁS (H ábra)

- Vegye ki a fűgyűjtő zsákat.
- Oldja ki a hátsó ürítőajtót.
- Állítsa a nyesedék választó gombot a „MULCH” pozícióba.

## ZSÁKOLÁS/MULCSOZÁS HIBRID (J ábra)

- Szerelje fel a fűgyűjtő zsákat.
- Állítsa a nyesedék választó gombot a három zsákolási/mulcsozási hibrid pozíció egyikébe.

**MEGJEGYZÉS:** Ahogy a nyesedék választó gombot a „MULCH” állás felé mozgatja, több fű kerül vissza a gyepbe.

Ahogy a nyesedék választó gombot a „BAG” állás felé mozgatja, több fű kerül a hátsó ürítőnyíláson keresztül a fűgyűjtő zsákba.

## VÁGÁSI MAGASSÁG BEÁLLÍTÁSA (K ábra)

Tartsa távol a lábát a burkolattól, amikor beállítja a magasságot.

A fűnyíró 8 vágásmagasságba állítható 25 mm és 105 mm között. Jelölés jelzi a kiválasztott vágási magasságot.

A megfelelő vágási magasságot a vágandó fű típusától és állapotától függően válassza ki.

1. Kapcsolja ki a fűnyírót, és várja meg, amíg a vágókés teljesen meg nem áll.
2. Vegye le az akkumulátoregységet.
3. Húzza ki a vágási magasság állító kart a mélyedésből, és állítsa a kívánt pozícióba.

**MEGJEGYZÉS:** A motor túlterhelésének elkerülése érdekében magas fűben ne állítsa túl alacsonyra a vágási magasságot. Ha a motor fordulatszáma lassulni kezd, növelje a vágási magasságot.

## HASZNÁLAT

Mindig vegye ki az akkumulátoregységet a termékből, amikor összeszereli az alkatrészeket, beállításokat, tisztítást végez, vagy amikor nem használja. Ha kiveszi az akkumulátoregységet, akkor azzal megelőzi a véletlenszerű indítást, amely súlyos személyi sérüléseket okozhat.

## AZ AKKUMULÁTOREGYSÉG BEHELYEZÉSE/ KIVÉTELE (D ábra)

Csak az A3 ábrán felsorolt EGO akkumulátoregységeket és töltőket használja.

További részletekért tekintse meg a megfelelő akkumulátoregységek és töltők kézikönyvét.

### Az első használat előtt teljesen töltsé fel

1. Emelje fel az akkumulátortartó fedelét a fedél elülső részének megemelésével.
2. **A behelyezéshez** illessze az akkumulátor bordázatát a szerelőnyílásokhoz, és nyomja le az akkumulátoregységet, amíg kattanást nem hall.
3. **A kivételhez** nyomja meg az akkumulátor kioldógombot, és húzza ki az akkumulátoregységet.
4. Csukja be az akkumulátortartó fedelét.

**MEGJEGYZÉS:** Ellenőrizze, hogy a zár a fűnyírón a helyére kattant-e, és hogy az akkumulátoregység a fűnyírón rögzítve van-e, mielőtt működtetni kezdené.

## A KÉSEBESSÉG MÓD KIVÁLASZTÁSA (M ábra)

- **Az 2. mód** a nagy késsebességű mód a nagy emelési teljesítményhez, amellyel javítható a szivóerő vagy a vágási teljesítmény.
- **Az 1. mód** a legjobb egyensúlyt jelenti a teljesítmény és az üzemi idő között.
- **Az ECO mód** biztosítja a legalacsonyabb zajszintet és a leghosszabb üzemi időt az akkumulátoregységről.

**MEGJEGYZÉS:** A kés sebessége működés közben nem állítható. A módosítás csak a motor leállítása és újraindítása után lép lesz érvényes.

Válasszon a **2. mód**, **1** vagy **ECO** közül a késsebesség üzemmód gomb egymás utáni megnyomásával.

**MEGJEGYZÉS:** Az alapértelmezett késsebesség mód az 1.

M-1	Késsebesség jelző	M-2	Késsebesség mód gomb
-----	-------------------	-----	----------------------

## A FŰNYÍRÓ INDÍTÁSA/LEÁLLÍTÁSA

A termék esőben is használható.

**⚠ FIGYELMEZTETÉS:** Bármely fűnyíró működtetése azzal járhat, hogy idegen tárgyak mások szemébe kerülnek, amely súlyos szemsérüléseket okozhat. Mindig viseljen védőszemüveget a fűnyíró működtetése vagy beállítások és javítások végzése közben.

**MEGJEGYZÉS:** A penge még egy kis ideig forog a fűnyíró kikapcsolása után. Hagyja, hogy a motor/penge leálljon, mielőtt újra elindítja. Ne kapcsolgassa gyorsan ki és be a fűnyírót.

**⚠ FIGYELMEZTETÉS:** Állítsa le a pengét, ha a fűnyírót meg kell dönteni szállításhoz, mert nem füves területen kell füves területre átvinni, vagy onnan visszahozni.

**⚠ FIGYELMEZTETÉS:** Ne döntse meg a fűnyírót a motor bekapcsolásakor, kivéve, ha meg kell dönteni az indításhoz. Ebben az esetben, ne döntse meg jobban, mint amennyire szükséges, és csak a felhasználótól távolabb lévő részt emelje meg.

Használat előtt mindig ellenőrizze szemrevételezéssel, hogy a penge és a pengecsavar nem kopott vagy sérült-e. Készletek formájában cserélje a kopott pengét és csavart az egyensúly fenntartása érdekében.

## Ellenőrizze, hogy a vágókés nem tömődött-e el

- Az elakadás megelőzése érdekében tartsa tisztán a vágókést és a fűnyíró burkolatát. Minden használat előtt és után távolítsa el a levágot füvet, leveleket, szennyeződéseket és minden egyéb felgyülemlett lerakódást.
- Ha eltömődik, állítsa le a fűnyírót, és vegye ki az akkumulátoregységet, majd távolítsa el a hajtótengelyen és a motor ventilátorán vagy azok körül összegyűlt füvet és leveleket. Majd törölje tisztára a fűnyírót egy nedves ruhával.

**FIGYELEM:** Ne próbálja meg felülbírálni a bekapcsológomb és a késforgás kapcsolójának működését.

**MEGJEGYZÉS:** A motor csak akkor indítható el, ha a kar a három működési pozíció egyikében van rögzítve.

## A fűnyíró elindítása (N1 és N2 ábra)

1. Csatlakoztassa az akkumulátoregységet a fűnyíróhoz, és zárja be az akkumulátortartó fedelét.
2. Nyomja meg a bekapcsológombot a műszerfal megvilágításához, és a fűnyíró állapotjelzője, az 1. mód késsebesség jelzője kigyullad.
3. A kívánt késsebesség kiválasztásához nyomja meg a késsebesség mód gombot.
4. Nyomja meg és tartsa lenyomva a bekapcsológombot.
5. A bekapcsológomb lenyomott állapotában húzza ki a késforgás kapcsolót a karhoz, és engedje fel a bekapcsológombot.

## A fűnyíró leállítás (N3 ábra)

1. Teljesen oldja ki a késforgás kapcsolót.
2. Az automatikus fékező mechanizmusban lévő elektromos fék a fogantyú kapcsoló elengedése után 3 másodpercen belül leállítja a kés forgását.

## ÁLLÍTHATÓ SEBESSÉGŰ ÖNJÁRÓ RENDSZER (P ábra)

A fűnyíró állítható sebességű önjáró lehetőséggel van felszerelve. Ez az önjáró rendszer független a kés forgásától.

## Az önjáró rendszer működtetése a kés forgása nélkül

1. Nyomja meg a bekapcsológombot a műszerfal megvilágításához.
2. Forgassa kissé előre az önjáró sebesség tárcsát, amíg kattánás nem hallható, majd nyomja meg az önjáró kapcsoló(ka)t. Két önhajtási kapcsoló van, bármelyiket megnyomva indíthatja el az önjáró funkciót.



**Az őnjáró rendszer kikapcsolásához** engedje fel az őnjáró kapcsolót.

P-1	Őnjáró sebességszabályozó tárcsa	P-2	Őnjáró kapcsoló
-----	----------------------------------	-----	-----------------

#### LED-LÁMPÁK (Q ábra)

**A lámpák bekapcsolásához** nyomja meg a LED-lámpák gombot. A lámpák erős megvilágítást biztosítanak a fűnyíró előtt.

**A lámpák kikapcsolásához** nyomja meg újra a gombot.

#### FŰNYÍRÓ ÁLLAPOTJELZŐK (A2 ábra)

A műszerfalon lévő fűnyíró állapotjelző a fűnyíró munkaállapotát mutatja.

Jelző	Leírás	Jelentés	Művelet
	Folyamatos zöld	A fűnyíró megfelelően működik.	Nincs szükség semmilyen műveletre.
	Villogó zöld	Az oldalsó állványok nincsenek teljesen kihúzva.	Állítsa le a fűnyírót, és gondoskodjon arról, hogy az oldalsó állványok teljesen ki legyenek húzva.
		A fogantyú nincs működési pozícióba állítva.	Állítsa le a fűnyírót, és gondoskodjon arról, hogy a kar a három közül az egyik működési pozícióban legyen rögzítve.
	Pirosan villog	Alacsony akkumulátor töltöttség.	Állítsa le a fűnyírót, és töltsse fel az akkumulátoregységet.
	Folyamatos narancssárga	A fűnyíró túlmelegedett.	Engedje el a fogantyú kapcsolót, várjon, amíg a fűnyíró hőmérséklete 80 °C alá nem csökken. Lásd alább a „ <b>FŰNYÍRÓ MAGAS HŐMÉRSÉKLET ELLENI VÉDELME</b> ” részt.
	Narancssárgán villog	A fűnyíró túlterhelt.	<ol style="list-style-type: none"> <li>Vegye ki az akkumulátoregységet, majd ellenőrizze, hogy nem gyúlt-e fel fű a burkolat alatt. Szükség esetén tisztítsa meg.</li> <li>Fűnyírásakor csökkentse a lépésütemét.</li> <li>Emelje meg a vágási magasságot.</li> <li>Ha a fenti megoldások nem működnek, kérjük, forduljon az EGO vevőszolgálathoz.</li> </ol> <p>Lásd alábbiakban a „<b>FŰNYÍRÓ TÚLTERHELÉS ELLENI VÉDELME</b>” részt.</p>
	Felváltva pirosan/zölden villog	A fűnyíró elektronikai hibája.	Forduljon az EGO ügyfélszolgálathoz.

HU

#### FŰNYÍRÓ TÚLMELEGEDÉS ELLENI VÉDELME

Ha a fűnyíró hőmérséklete működés közben meghaladja a 90 °C-ot, a túlmelegedés elleni védelmi áramkör azonnal leállítja a fűnyírót, hogy védje a túlmelegedés okozta károsodástól.

A fűnyíró állapotjelzője folyamatosan narancssárgán világít. Engedje el a késforgás kapcsolóját, és várja meg, amíg a túlhevült fűnyíró le nem hűl, és az állapotjelző zöldre nem vált, majd indítsa újra a fűnyírót.

## FŰNYÍRÓ TÚLTERHELÉS ELLENI VÉDELEM

A túlterhelés elkerülése érdekében ne próbáljon meg egyszerre túl sok fűvet nyírni. Lassítsa le a lépésütemet, vagy emelje meg a vágási magasságot.

A fűnyíró beépített túlterhelés elleni védelemmel rendelkezik. Ha a fűnyíró túlterhelt, akkor a motor leáll, és a fűnyíró állapotjelző narancssárga színben villog a műszerfalán.

## KARBANTARTÁS

**▲ FIGYELMEZTETÉS:** A súlyos személyi sérülések elkerülése érdekében mindig kapcsolja ki a fűnyírót, vegye ki az akkumulátoregységet, és győződjön meg arról, hogy minden mozgó alkatrész teljesen megállt, mielőtt a fűnyírót tisztítja, karbantartást végez rajta, vagy szállítja.

**▲ FIGYELMEZTETÉS:** Rendszeresen végezze el a gép karbantartását.

**▲ FIGYELMEZTETÉS:** Állítsa le a gépet, vegye ki az akkumulátoregységet, és győződjön meg arról, hogy minden mozgó alkatrész teljesen megállt, miután idegen tárgynak ütközött, ellenőrizze a gép esetleges sérüléseit, és végezze el a javításokat, mielőtt újraindítja és működteti a gépet.

HU

**▲ FIGYELMEZTETÉS:** Állítsa le a gépet, vegye ki az akkumulátoregységet, és győződjön meg arról, hogy minden mozgó alkatrész teljesen megállt, ha a gép rendellenesen vibrálni kezd, majd azonnal vizsgálja meg a sérüléseket, cserélje ki vagy javítsa meg a sérült alkatrészeket, ellenőrizze és húzza meg a meglazult alkatrészeket.

**▲ FIGYELMEZTETÉS:** Szervizeléskor csak azonos cserealkatrészeket használjon. Bármilyen más alkatrész használata veszélyt okozhat, vagy megrongálhatja a terméket. A biztonságosság és megbízhatóság biztosítása érdekében minden javítást szakképzett szerviztechnikusnak kell elvégeznie.

## A FŰNYÍRÓ TISZTÍTÁSA

A fűnyíró burkolat alját minden használat után meg kell tisztítani, mivel egyébként a lenyírt fű, levelek, szennyeződések és más hulladékok felgyülemlenek.

Távolítsa el a hajtótengelyen és a motorventilátoron, illetve a körülöttük lerakódott fűvet és leveleket. Majd törölje tisztára a fűnyírót egy nedves ruhával.

## A KÉSKÉSZLET CSERÉJE (R1, R2, R3 ábra)

**▲ FIGYELMEZTETÉS:** Mindig távolítsa el az akkumulátoregységet és a fűgyűjtő zsákot.

**▲ FIGYELMEZTETÉS:** Mindig viseljen védőkesztyűt.

**MEGJEGYZÉS:** A készítség felszerelése előtt alaposan tisztítsa meg a hajtótengely területét és a gép alját.

1. Fordítsa fel a fűnyírót.
2. Távolítsa el/szerelje fel a készítséglet nyomatékulcs és két fémrúd segítségével az ábrán látható módon.
3. A készítséglet oldala kifelé nézzen.

## A FŰNYÍRÓ TÁROLÁSA (S1 és S2 ábra)

- Vegye ki az akkumulátoregységet a fűnyíróból, és tárolja hűvös, száraz és tiszta helyen. Ne tárolja maró hatású anyagok mellett, pl. műtrágya vagy kőszó.
- Elrakás előtt, ürítse ki a fűgyűjtő zsákot.
- Mindig hagyja lehűlni a fűnyírót, mielőtt elrakja.
- Elrakás előtt, végezze el a tisztítást és a karbantartást.
- A fűnyírót fedett, zárt helyen tárolja, amely hűvös és száraz, és gyermekek nem férnek hozzá.
- Ne fedje le a fűnyírót erős műanyag zsákkal. A műanyag burkolatok összegyűjtik a vizet a fűnyíró körül, amely rozsdásodást okoz.
- A fűnyíró fekvő vagy függőlegesen tárolható (S1 és S2 ábra).

**▲ FIGYELMEZTETÉS:** Ha a fűnyíró eldől függőleges helyzetből, akkor a fűnyíró megrongálódhat, vagy személyi sérülést okozhat. Mindig tartsa stabilan a fűnyírót, és gyermekektől elzárva, ha függőleges helyzetben van. Ha lehetséges, laposan tárolja.

## KÖRNYEZETVÉDELEM



Ne dobja ki az elektromos készülékeket a szelektálatlan háztartási hulladékkal együtt, szelektív hulladékgyűjtő helyeken helyezze el ezeket.

Forduljon a helyi önkormányzathoz a rendelkezésre álló gyűjtőhelyekkel kapcsolatos információért.

Ha az elektromos berendezéseket hulladéklakóban vagy szeméttelpeken ártalmatlanítják, olyan veszélyes anyagok kerülhetnek belőlük a talajvízbe, majd onnan a táplálkozási láncba, amelyek veszélyeztetik az egészséget és az emberi jólétet.

## HIBAELHÁRÍTÁS

PROBLÉMA	OK	MEGOLDÁS
A fűnyíró vagy az önjáró funkció nem indul el.	<ul style="list-style-type: none"> <li>Az akkumulátoregység lemerült.</li> </ul>	<ul style="list-style-type: none"> <li>Töltse fel az akkumulátoregységet.</li> </ul>
	<ul style="list-style-type: none"> <li>Az akkumulátoregység nincs megfelelően behelyezve az akkumulátortartóba.</li> </ul>	<ul style="list-style-type: none"> <li>Tolja az akkumulátoregységet az akkumulátortartóba, amíg kattantást nem hall.</li> </ul>
	<ul style="list-style-type: none"> <li>A kar nincs üzemi helyzetben rögzítve, és a fűnyíró állapotjelzője zöld színnel villog.</li> </ul>	<ul style="list-style-type: none"> <li>Állítsa le a fűnyírót, és gondoskodjon arról, hogy a kar az egyik működési pozícióban legyen rögzítve.</li> </ul>
	<ul style="list-style-type: none"> <li>A fűnyíró eltömődött fűvel vagy hulladékkal.</li> </ul>	<ul style="list-style-type: none"> <li>Tisztítsa meg a fűnyíró burkolatát, és ellenőrizze, hogy a késkészlet szabadon tud mozogni.</li> </ul>
A fűnyíró egyenetlenül vág.	<ul style="list-style-type: none"> <li>A késkészlet tompa.</li> </ul>	<ul style="list-style-type: none"> <li>Élezze meg, vagy cserélje ki a késkészletet.</li> </ul>
	<ul style="list-style-type: none"> <li>A fűvágási magasság nincs megfelelően beállítva.</li> </ul>	<ul style="list-style-type: none"> <li>Állítsa magasabbra a burkolat magasságát.</li> </ul>
	<ul style="list-style-type: none"> <li>A késkészlet helytelenül van beszerelve.</li> </ul>	<ul style="list-style-type: none"> <li>A késkészlet visszaszereléséhez nézze meg a „<b>A KÉSKÉSZLET CSERÉJE</b>” fejezetet a jelen használati útmutatóban.</li> </ul>
	<ul style="list-style-type: none"> <li>A késsebesség mód nincs megfelelően beállítva.</li> </ul>	<ul style="list-style-type: none"> <li>Válassza ki a megfelelő késsebesség módot.</li> </ul>
A fűnyíró nem megfelelően aprít.	<ul style="list-style-type: none"> <li>Nedves lenyírt fű ragadt a burkolat aljára.</li> </ul>	<ul style="list-style-type: none"> <li>Fűnyírás előtt várjon, amíg a fű megszárad.</li> </ul>
	<ul style="list-style-type: none"> <li>A fűnyíró úgy van beállítva, hogy egyszerre túl sok fűvet nyírjon.</li> </ul>	<ul style="list-style-type: none"> <li>Emelje magasabb vágási magasságba.</li> </ul>
	<ul style="list-style-type: none"> <li>A késsebesség mód nincs megfelelően beállítva.</li> </ul>	<ul style="list-style-type: none"> <li>Állítsa a kés sebességét alacsonyabbra.</li> </ul>

HU

PROBLÉMA	OK	MEGOLDÁS
A fűnyíró vágás közben váratlanul leáll.	<ul style="list-style-type: none"> <li>Az akkumulátoregység lemerült.</li> </ul>	<ul style="list-style-type: none"> <li>Töltse fel az akkumulátoregységet.</li> </ul>
	<ul style="list-style-type: none"> <li>A fűnyíró túlterhelt, és a fűnyíró állapotjelzője narancssárgán villog.</li> </ul>	<ul style="list-style-type: none"> <li>Ellenőrizze, hogy a burkolat alatt nem gyúlt-e fel fű, és szükség esetén tisztítsa meg. Emelje a vágásmagasságot, vagy lassítsa a fűnyírást.</li> </ul>
	<ul style="list-style-type: none"> <li>A fűnyíró eltömődött fűvel vagy hulladékkal.</li> </ul>	<ul style="list-style-type: none"> <li>Tisztítsa meg a fűnyíró burkolatot. Emelje a vágásmagasságot, és/vagy keskeny sávot nyírjon.</li> </ul>
	<ul style="list-style-type: none"> <li>Az akkumulátoregység vagy a fűnyíró áramköre túl forró. Ha az akkumulátoregység túlmelegszik, a fűnyíró állapotjelzője kialszik. Ha a fűnyíró túlmelegedett, a fűnyíró állapotjelzője narancssárgán világít.</li> </ul>	<ul style="list-style-type: none"> <li>Hagyja, hogy az akkumulátoregység vagy a fűnyíró lehűljön.</li> </ul>
	<ul style="list-style-type: none"> <li>A késsebesség mód nincs megfelelően beállítva.</li> </ul>	<ul style="list-style-type: none"> <li>Állítsa a kés sebességét alacsonyabbra.</li> </ul>
	<ul style="list-style-type: none"> <li>A fűnyíró elektronikai hibája, és a fűnyíró állapotjelzője felváltva piros/zöld színnel villog.</li> </ul>	<ul style="list-style-type: none"> <li>Vegye fel a kapcsolatot az EGO szervizközponttal.</li> </ul>
Túlzott vibráció.	<ul style="list-style-type: none"> <li>A vágókészlet laza.</li> </ul>	<ul style="list-style-type: none"> <li>Húzza meg a penge csavarját.</li> </ul>
	<ul style="list-style-type: none"> <li>A vágókészlet beállítása kiegyensúlyozatlan.</li> </ul>	<ul style="list-style-type: none"> <li>Vegye fel a kapcsolatot az EGO szervizközponttal.</li> </ul>
	<ul style="list-style-type: none"> <li>A vágókés hajlott.</li> </ul>	<ul style="list-style-type: none"> <li>Cserélje ki a kést.</li> </ul>
	<ul style="list-style-type: none"> <li>A motor tengely hajlott.</li> </ul>	<ul style="list-style-type: none"> <li>Vegye fel a kapcsolatot az EGO szervizközponttal.</li> </ul>
	<ul style="list-style-type: none"> <li>A fűnyíró úgy van beállítva, hogy egyszerre túl sok fűvet nyírjon.</li> </ul>	<ul style="list-style-type: none"> <li>Emelje magasabb vágási magasságba.</li> </ul>
	<ul style="list-style-type: none"> <li>A késsebesség mód nincs megfelelően beállítva.</li> </ul>	<ul style="list-style-type: none"> <li>Állítsa a kés sebességét alacsonyabb fokozatra.</li> </ul>
A motor működik, de a késkészlet nem vágja a fűvet.	<ul style="list-style-type: none"> <li>A késkészlet nincs a szükséges nyomatékkal meghúzva.</li> </ul>	<ul style="list-style-type: none"> <li>Húzza meg a késkészletet. A késcsavar ajánlott nyomatéka 50 – 60 Nm.</li> </ul>
A nyesedék választó gomb nehézkes mozgatása egyik oldalról a másikra.	<ul style="list-style-type: none"> <li>A lejtés tetején túlzottan sok fűnyesedék halmozódott fel.</li> </ul>	<ul style="list-style-type: none"> <li>Minden használat után távolítsa el a fűvet a fűnyírófedél alatt.</li> </ul>

**HU**

## GARANCIA

### EGO GARANCIÁLIS FELTÉTELEK

Kérjük, látogasson el az [egopowerplus.eu](http://egopowerplus.eu) oldalra, ahol megtalálja a részletes EGO garanciális feltételeket.

# 164

56 VOLTOS LÍTIUM-ION AKKUMULÁTOROS FŰNYÍRÓ — LM2230E-SP

## CITIȚI TOATE INSTRUCȚIUNILE!

**Utilizarea prevăzută:** Produsul este destinat tunderii manuale a gazonului:

- Utilizați numai pentru tunderea ierbii uscate. Nu tăiați iarba umedă.
- Nu utilizați în alte scopuri.

**⚠️ AVERTISMENT:** Asigurați-vă că ați citit și înțelegiți toate instrucțiunile privind siguranța din acest Manual de utilizare, inclusiv toate simbolurile de alertă privind siguranța precum „PERICOL”, „AVERTISMENT” și „ATENȚIE” înainte de a utiliza această mașină. Nerespectarea tuturor instrucțiunilor enumerate mai jos poate duce la electrocutare, incendiu și/sau vătămări corporale grave.

## SIMBOLURI PRIVIND SIGURANȚA



Alertă privind siguranța



Purtați întotdeauna protecție pentru auz, protecție pentru ochi sau ochelari de protecție cu protecție laterală și o mască de protecție pentru întreaga față atunci când utilizați acest produs.



Atenție la obiectele aruncate - țineți la distanță persoanele aflate în apropiere.



Țineți mâinile la distanță



Nivel de putere acustică garantat.



Acest produs este în conformitate cu legislația aplicabilă din Marea Britanie.

IPX4 Protecție împotriva stropilor de apă

mm Milimetru

Curent continuu



Pentru a reduce riscul de vătămare, utilizatorul trebuie să citească și să înțeleagă manualul de instrucțiuni înainte de a utiliza acest produs.



Opriti și îndepărtați setul de acumulatori (sau dispozitivul de dezactivare) înainte de a regla sau curăța.



Țineți mâinile și picioarele departe de lame



Nu priviți direct în lampă în funcționare.



Acest produs este în conformitate cu directivele europene aplicabile.



Deșeurile produselor electrice nu trebuie să fie eliminate împreună cu deșeurile menajere. Predați-le unui punct de reciclare autorizat.


V Volt

cm Centimetru

kg Kilograme

RO

## SPECIFICAȚII

Tensiune	56 V 	
Modul de viteză a lamei	2	
	1	
	ECO	
Poziții înălțime de tăiere	8	
Setarea înălțimii de tăiere	25 mm/33 mm/43 mm/ 54 mm/66 mm/79 mm/ 92 mm/105 mm	
Lățime de tăiere	55 cm	
Volum colector de iarbă	85 L	
Greutatea mașinii de tuns iarbă (cu sac de iarbă și baterie BA6720T)	37 kg	
Set de lame Model	AB2212D-E	
Temperatură de funcționare recomandată	0°C - 40°C	
Temperatură de depozitare recomandată	-20°C - 70°C	
Nivel de putere acustică măsurat nivelul $L_{WA}$	95 dB(A) K=0,7 dB(A)	
Nivel de presiune sonoră la urechea operatorului $L_{PA}$	83 dB(A) K=3 dB(A)	
Sunet garantat nivelul de putere $L_{WA}$ (măsurat în conformitate cu 2000/14/CE)	96 dB(A)	
Valoarea vibrațiilor $a_r$ :	Mâner stânga	1,35 m/s <sup>2</sup> K=1,5 m/s <sup>2</sup>
	Mâner dreapta	1,35 m/s <sup>2</sup> K=1,5 m/s <sup>2</sup>

- Valoarea totală declarată a vibrațiilor a fost măsurată în conformitate cu o metodă standard de testare și poate fi utilizată pentru compararea mașinilor între ele.
- Valoarea totală declarată poate fi utilizată în evaluarea preliminară a expunerii.

**⚠ AVERTISMENT:** Vibrațiile emise în timpul utilizării efective a mașini electrice pot diferi față de valoarea celor declarate pentru scula utilizată. Pentru protejarea operatorului, utilizatorul trebuie să poarte mănuși și protecții auditive în timpul utilizării efective a produsului.

**⚠ AVERTISMENT:** Necesitatea de a identifica măsuri de siguranță pentru protecția operatorului, bazate pe o estimare a expunerii în condițiile reale de utilizare (luând în considerare toate părțile ciclului de funcționare, cum ar fi perioadele în care scula este oprită și în care funcționează în gol, pe lângă timpul de declanșare).

## LISTA COMPONENTELOR (FIG. A1 & A2)

DENUMIREA PIESELOR	CANTITATE
Mașină de tuns iarbă	1
Sac colector de iarbă	1
Cadru pentru sacul colector de iarbă	1
Manual de utilizare	1

## DESCRIEREA

### CUNOAȘTEȚI-VĂ MAȘINA DE TUNS IARBA (Fig. A1 & A2)

1. Mâner
2. Șină laterală
3. Clemă de blocare a mânerului
4. Ușă de evacuare posterioară
5. Mâner de ridicare
6. Capacul compartimentului bateriei
7. Faruri cu LED
8. Buton de selectare a clipului
9. Roată frontală
10. Buton de reglare a înălțimii de tăiere
11. Platformă
12. Orificiul de admisie aer
13. Roată posterioară
14. Manetă de reglare rapidă
15. Sac colector de iarbă
16. Scut tractat
17. Declanșator de rotire a lamei
18. Declanșator pentru autopropulsare
19. Cadranul de autopropulsare
20. Butonul pentru modul de viteză a lamei
21. Buton de alimentare
22. Buton faruri cu LED
23. Pictograma faruri cu LED
24. Indicator faruri cu LED
25. Indicator de stare a mașinii de tuns iarbă

26. Icoana lamei
27. Indicatorul pentru modul de viteză a lamei
28. Pictograma de stare a mașinii de tuns iarba

## ASAMBLARE

**⚠️ AVERTISMENT:** Dacă unele piese sunt deteriorate sau lipsesc, nu utilizați acest produs până la înlocuirea pieselor. Utilizarea acestui produs cu piese deteriorate sau lipsă s-ar putea solda cu vătămări grave.

**⚠️ AVERTISMENT:** Pentru a preveni pornirea accidentală care ar putea cauza vătămări personale grave, întotdeauna scoateți setul de acumulatori din mașină când asamblați componente.

**⚠️ AVERTISMENT:** Nu încercați să modificați acest produs sau să creați accesorii nerecomandate pentru a fi utilizate cu această mașină. Orice astfel de modificare sau schimbare reprezintă o utilizare necorespunzătoare și se poate solda cu condiții periculoase care pot conduce la posibile vătămări.

### DESPACHETAREA

- Scoateți toate accesoriile din cutie.
- Prindeți în același timp partea din față a mașinii de tuns iarba și mânerul de ridicare pentru a ridica cu grijă mașina de tuns iarba și a o scoate din cutia de carton.

### REGLAREA MÂNERULUI PLIANT

**⚠️ AVERTISMENT:** Nu încercați să porniți mașina de tuns iarba până când mânerul nu a fost blocat în una dintre cele trei poziții de funcționare prestabilite: POZIȚIA DE FUNCȚIONARE SUPERIOARĂ, POZIȚIA DE FUNCȚIONARE MEDIANĂ și POZIȚIA DE FUNCȚIONARE INFERIOARĂ.

1. Apăsati și mențineți apăsat maneta de reglare rapidă pentru eliberarea mânerului din POZIȚIA DE DEPOZITARE BLOCAT (Fig. B1).

B1-1	Manetă de reglare rapidă
------	--------------------------

2. Ridicați mânerul din poziția sa pliată, după care eliberați maneta. Pivotați cu delicatețe mânerul în sus, până auziți și simțiți știftul de blocare anclanșat într-una dintre diferitele poziții precum în indicațiile din Fig. B2.

B2-1	Poziție blocată de depozitare	B2-2	Dispozitiv de prindere colector de iarbă/ Poziție de îndepărtare
------	-------------------------------	------	--

B2-3	Poziție superioară de funcționare	B2-4	Poziție mijlocie de funcționare
B2-5	Poziție inferioară de funcționare		

3. Amplasați complet șinele laterale și închideți bine clema de blocare a mânerului (Fig. B3).

**NOTĂ:** Motorul nu poate fi pornit decât dacă:

- Șinele laterale sunt extinse complet.
- Clema verde de blocare a mânerului este bine închisă.
- Mânerul este blocat într-una dintre cele trei poziții de funcționare.

### ASAMBLAREA COLECTORULUI DE IARBĂ (Fig. C1, C2, C3)

Verificați sacul colector de iarbă înainte de asamblare, pentru a vă asigura că nu există deteriorări.

Asamblați sacul de iarbă așa cum este ilustrat.

### BUTONUL DE SELECTARE A CLIPULUI (Fig. D)

Plasați butonul de selectare a clipului în oricare dintre cele cinci poziții pentru a obține rezultatele dorite de cosire.

Butonul poate regla o ușă glisantă de la poziția complet deschisă, „BAG”, la poziția complet închisă, „MULCH”.

Prin reglarea butonului de selectare a clipului, pot fi îndeplinite diferite condiții de cosire.

**Pentru a re poziționa butonul,** scoateți butonul din opritor și reglați-l în poziția dorită.

**NOTIFICARE:** Dacă se observă o rezistență ridicată la deplasarea butonului de selectare a clipului dintr-o parte în alta, este posibil să se fi acumulat iarbă în exces pe partea superioară a ușii glisante. Curățați iarba de sub platforma mașinii de tuns iarba după fiecare utilizare.

D-1	Ușă glisantă	D-2	Poziția „MULCH”
D-3	Buton de selectare a clipului	D-4	Poziție „BAG”

### POZIȚIA UȘII GLISANTE

Ușa glisantă poate fi poziționată pentru a obține rezultate diferite la cosit. Pentru a învăța diferența dintre poziții, instalați un sac de iarbă și începeți să tundeți cu butonul de selectare a clipului până la poziția „BAG” (sac). Verificați aspectul gazonului. Pe măsură ce butonul este deplasat spre poziția „MULCH”, mai multă iarbă va fi reciclată înapoi în gazon. Reglați butonul de selectare a clipului până când se obține rezultatul dorit. Modul hibrid bagging/mulching va duce la o tăiere curată și fină.

RO

- **Prindeți butonul selector în poziția „BAG”,** ușa glisantă este complet deschisă, permițând tuturor resturilor de iarbă să intre în sac (Fig. E1).
- **Butonului de selectare a clipului în poziția hibridă de bagging/mulching,** ușa glisantă este parțial închisă. Unele resturi vor ajunge în sac, iar altele vor fi mărunțite și direcționate pe sol (Fig. E2).
- **Butonului de selectare a clipului în poziția „MULCH”,** ușa glisantă este complet închisă. Toate resturile tăiate vor fi tocate fin și direcționate spre sol (Fig. E3).

## DESCĂRCARE LATERALĂ

**Pentru a atașa/îndepărta jghebul de evacuare laterală (vândut separat)**

**NOTIFICARE:** Asigurați-vă că partea inferioară a platformei este curată înainte de a utiliza jghebul de evacuare laterală.

- Scoateți sacul de iarbă și poziționați butonul de selectare a clipului în poziția „BAG”.
- Instalați jghebul cu descărcare laterală în mașina de tuns iarba așa cum se arată în Fig. F.

## DIRECȚIONARE COMPLETĂ ÎN SAC

**Atașarea/Detașarea sacului colector de iarbă**

**AVERTISMENT:** În condiții normale de utilizare, materialul sacului colector de iarbă este supus uzurii. Pentru a reduce riscul de accidentare, verificați frecvent sacul colector și înlocuiți dacă prezintă semne de uzură sau de deteriorare. Utilizați numai colectoare de iarbă fabricate pentru această mașină de tuns iarba.

**NOTIFICARE:** Asigurați-vă că partea inferioară a platformei este curată înainte de a utiliza sacul de iarbă.

- Scoateți jghebul de evacuare laterală și poziționați butonul de selectare a clipului în poziția „BAG”.
- Instalați sacul de iarbă în mașina de tuns iarba așa cum se arată în Fig. G.

## MULCIRE COMPLETĂ (Fig. H)

- Scoateți sacul corector de iarbă.
- Eliberați ușa de evacuare din spate.
- Setează butonul de selectare a clipurilor în poziția „MULCH”.

## HYBRID BAGGING/MULCHING (COLECTARE ÎN SAC/MULCIRE) (Fig. J)

- Atașați sacul colector de iarbă.
- Setează butonul de selectare a clipului într-una din cele trei poziții hibride de bagging/mulching.

**NOTĂ:** Pe măsură ce butonul de selectare a clipului este deplasat spre poziția „MULCH”, mai multă iarbă va fi reciclată înapoi în gazon.

Pe măsură ce butonul de selectare a clipului este deplasat spre poziția „BAG”, mai multă iarbă va fi evacuată prin orificiul din spate în sacul de iarbă.

## REGLAJUL ÎNĂLȚIMII DE TĂIEREA (Fig. K)

Păstrați-vă picioarele la distanță de punte când reglați înălțimea mașinii.

Mașina de tuns iarba poate fi setată la 8 înălțimi de tăiere între 25 mm și 105 mm. Un marcaj indică înălțimea de tăiere selectată.

Alegeți înălțimea de tăiere corectă, în conformitate cu tipurile și starea ierbii.

1. Oprți mașina de tuns iarba și așteptați ca lama de tăiere să se oprească complet.
2. Îndepărtați setul de acumulatori.
3. Scoateți maneta de reglare a înălțimii de tăiere din detentă și reglați-o în poziția dorită.

**NOTĂ:** Pentru a evita supraîncărcarea motorului, evitați setarea înălțimii de tăiere prea mică în iarbă înaltă. Dacă viteza motorului începe să încetinească, măriți înălțimea de tăiere.

## FUNCȚIONARE

Întotdeauna scoateți setul de acumulatori din produs înainte de a asambla componente, efectua reglaje, curăța sau când produsul nu este utilizat. Îndepărtarea setului de acumulatori va preveni pornirea accidentală care poate cauza răni personale grave.

## ATAȘAREA/DETAȘAREA SETULUI DE ACUMULATORI (Fig. L)

Utilizați numai seturile de acumulatori EGO și încărcătoarele prezentate în Fig. A3.

Pentru mai multe detalii, consultați manualele corespunzătoare ale bateriilor și încărcătoarelor.

## Încărcați acumulatorul complet înainte de prima utilizare

1. Ridicați capacul compartimentului pentru baterii ridicând partea din față a capacului.



2. **Pentru a atașa**, Aliniați nervurile de pe acumulator cu fantele de instalare și apăsați în jos setul de acumulatori până la auzul unui clic.
3. **Pentru a detașa**, apăsați butonul de detașare al setului de acumulatori și scoateți setul de acumulatori.
4. Închideți capacul compartimentului bateriei.

**NOTIFICARE:** Înainte de a începe utilizarea, asigurați-vă că opritorul de pe acumulator intră în locaș cu un zgomot sec, iar acumulatorul este fixat în mașina de tuns.

### SELECTAREA MODULUI DE VITEZĂ A LAMEI (Fig. M)

- **Modul 2** este modul de viteză mare a lamei pentru performanțe ridicate de ridicare pentru a îmbunătăți forța de aspirație și performanța de tăiere.
- **Modul 1** este cel mai bun echilibru între performanță și timpul de rulare.
- **Modul ECO** oferă cel mai scăzut nivel de zgomot și cea mai lungă durată de funcționare a acumulatorului.

**NOTĂ:** Viteza lamei nu poate fi reglată în timpul funcționării. Modificarea va intra în vigoare numai după ce motorul este oprit și pornit din nou.

Selectați între **modurile 2, 1** sau **ECO** prin apăsarea secvențială a butonului de mod al vitezei lamei.

**NOTĂ:** Modul implicit de viteză a lamei este modul 1.

M-1	Indicator de viteză a lamei	M-2	Butonul pentru modul de viteză a lamei
-----	-----------------------------	-----	--

### PORNIREA/OPRIREA MAȘINII DE TUNS IARBA

Produsul poate fi utilizat pe timp de ploaie.

**⚠️ AVERTISMENT:** Operarea oricăror scule electrice poate rezulta în proiectarea înșpre ochii dumneavoastră sau a altor persoane a unor obiecte străine, ceea ce poate duce la vătămări grave ale ochilor. Purtați întotdeauna ochelari de protecție în timp ce folosiți mașina de tuns iarba sau când efectuați reglaje sau reparații la aceasta.

**NOTIFICARE:** Lama continuă să se rotească câteva secunde după oprirea mașinii de tuns. Lăsați motorul/lama să se oprească din rotație înainte de repornire. Nu porniți și opriți rapid mașina de tuns.

**⚠️ AVERTISMENT:** Opriți lama dacă mașina de tuns iarba trebuie înclinată pentru transport când traversează alte suprafețe decât iarba și când transportați mașina de tuns iarba spre și dinspre zona de tuns.

**⚠️ AVERTISMENT:** Nu înclinați mașina de tuns iarba la pornirea motorului, cu excepția cazului în care mașina de

tuns iarba trebuie să fie înclinată pentru pornire. În acest caz, nu înclinați mai mult decât este absolut necesar și ridicați numai partea care este la distanță de operator.

Înainte de utilizare, efectuați întotdeauna o inspecție vizuală pentru a vă asigura că lama și șurubul lamei nu sunt uzate sau deteriorate. Înlocuiți lama uzată sau deteriorată și șuruburile în seturi, pentru a păstra echilibrul.

### Verificați dacă lama de tăiere este blocată

- Pentru a preveni blocarea, păstrați curate lama de tăiere și placa de tuns iarba. Îndepărtați iarba tăiată, frunzele, murdăria și orice alte resturi acumulate înainte și după fiecare utilizare.
- Când apare blocarea, opriți mașina de tuns iarba și scoateți acumulatorul, apoi îndepărtați orice acumulare de iarba și frunze de pe sau în jurul arborelui de antrenare și al ventilatorului motorului. Curățați mașina de tuns ștergând-o cu o cârpă ușor umezită.

**ATENȚIE:** Nu încercați să suprascrieți funcționarea butonului de alimentare și a declanșatorului de rotire a lamei.

**NOTĂ:** Motorul nu poate fi pornit decât dacă mânerul este blocat la una dintre cele trei poziții de funcționare.

### Pentru a porni mașina de tuns iarba (Fig. N1 & N2)

1. Atașați acumulatorul (bateriile) la mașina de tuns iarba și închideți capacul compartimentului bateriei.
2. Apăsați butonul de pornire pentru a ilumina tabloul de bord, iar indicatorul de stare al mașinii de tuns iarba - indicatorul vitezei lamei pentru modul 1 se va aprinde.
3. Apăsați butonul modului de viteză a lamei pentru a selecta viteza dorită.
4. Apăsați și mențineți apăsat butonul de alimentare.
5. Cu butonul de alimentare apăsat, trageți declanșatorul de rotire a lamei pentru a întâlni mânerul și eliberați butonul de alimentare.

### Pentru a opri mașina de tuns iarba (Fig. N3)

1. Eliberați complet declanșatorul de rotire a lamei.
2. Frâna electrică a mecanismului automat de frânare va opri rotirea lamei în 3 secunde de la eliberarea manetei declanșatorului de rotire a lamei.

### SISTEMUL CU AUTOPROPULSARE ȘI VITEZĂ VARIABILĂ (Fig. P)

Mașina de tuns iarba este prevăzută cu viteză variabilă, cu autopropulsie. Acest sistem de autopropulsare este independent de rotația lamei.

## Pentru a acționa sistemul de autopropulsie fără rotația lamei

1. Apăsați butonul de alimentare pentru a ilumina tabloul de comandă.
2. Rotiți ușor cadranul de viteză de autopropulsie înainte până când se aude un clic, apoi apăsați declanșatorul (declanșatoarele) de autopropulsie. Există două declanșatoare de autopropulsie, apăsați oricare dintre ele pentru a porni funcția de autopropulsie.

Pentru a opri autopropulsarea, eliberați declanșatorul de autopropulsare.

P-1	Cadranul de autopropulsare	P-2	Declanșator pentru autopropulsare
-----	----------------------------	-----	-----------------------------------






## FARURI CU LED (Fig. Q)

Pentru a porni farurile, apăsați butonul farurilor cu LED. Farul furnizează o lumină strălucitoare în fața mașinii de tuns iarba.

Pentru a stinge farurile, apăsați din nou butonul.

## INDICATOR DE STARE A MAȘINII DE TUNS IARBA (Fig. A2)

Indicatorul de stare a mașina de tuns iarba de pe tabloul de bord arată starea de funcționare a mașinii de tuns iarba.

Indicator	Descriere	Semnificație	Acțiune
	Verde continuu	Mașina de tuns iarba funcționează corect.	Nu este necesară niciuna.
	Verde intermitent	Șinele laterale nu sunt extinse la maxim.	Opriti mașina de tuns iarba și asigurați-vă că șinele laterale sunt complet extinse.
		Mânerul nu este blocat într-o poziție de funcționare.	Opriti mașina de tuns iarba și asigurați-vă că mânerul este blocat în una dintre cele trei poziții de funcționare.
	Roșu intermitent	Nivel scăzut de încărcare a bateriei.	Opriti mașina de tuns iarba și încărcați setul de acumulatori.
	Portocaliu continuu	Mașina de tuns iarba este supra-încălzită.	Eliberați comutatorul de siguranță și așteptați până când temperatura mașinii de tuns iarba scade sub 80 °C. Consultați „PROTECȚIE ÎMPOTRIVA TEMPERATURII RIDICATE A MAȘINII DE TUNS IARBA” de mai jos.
	Portocaliu intermitent	Mașina de tuns iarba este supraîncărcată.	<ol style="list-style-type: none"> <li>1. Scoateți acumulatorul, apoi verificați dacă s-a acumulat iarba sub platformă. Curățați dacă este necesar.</li> <li>2. Încetiniți ritmul când tăiați iarba.</li> <li>3. Ridicați înălțimea de tăiere.</li> <li>4. Dacă soluțiile de mai sus nu funcționează, vă rugăm să contactați centrul de service EGO.</li> </ol> <p>Consultați „PROTECȚIE ÎMPOTRIVA SUPRASARCINII MAȘINII DE TUNS IARBA” de mai jos.</p>

Indicator	Descriere	Semnificație	Acțiune
	Intermitent alternativ roșu/verde	Eroare electronică a mașinii de tuns iarba.	Contactați Serviciul de clienți EGO.

## PROTECȚIE ÎMPOTRIVA TEMPERATURII RIDICATE A MAȘINII DE TUNS IARBA

Dacă temperatura mașinii de tuns iarba depășește 90 °C în timpul funcționării, circuitul de protecție a temperaturii va opri imediat mașina pentru a preveni deteriorarea prin supraîncălzire.

Indicatorul de stare a mașinii de tuns iarba se va aprinde în portocaliu continuu. Eliberați declanșatorul de rotire a lamei și așteptați până când mașina de tuns iarba supra-încălzită se răcește și indicatorul de stare devine verde, apoi reporniți mașina de tuns iarba.

## PROTECȚIE ÎMPOTRIVA SUPRASARCINII MAȘINII DE TUNS IARBA

Pentru prevenirea suprasolicitării, nu încercați să tundeți prea multă iarbă odată. Încetiniți pasul sau ridicați înălțimea de tăiere.

Mașina dumneavoastră de tuns iarba este echipată cu un circuit de protecție la suprasarcină. Când mașina este suprasolicitată, motorul se va opri și indicatorul de stare de pe tabloul de comandă va lumina portocaliu intermitent.

## ÎNTREȚINEREA

**⚠ AVERTISMENT:** Pentru a evita vătămări corporale grave, opriți întotdeauna mașina de tuns iarba, scoateți acumulatorul (acumulatorii) și asigurați-vă că toate piesele în mișcare s-au oprit complet. Înainte de a curăța, de a efectua orice operație de întreținere sau de a transporta mașina de tuns iarba.

**⚠ AVERTISMENT:** Întrețineți întotdeauna mașina în mod regulat.

**⚠ AVERTISMENT:** Opriți mașina și scoateți acumulatorul pentru a vă asigura că toate piesele în mișcare s-au oprit complet după lovirea unui obiect străin și pentru a inspecta mașina pentru deteriorări și pentru a efectua reparații înainte de a reporni și a utiliza mașina.

**⚠ AVERTISMENT:** Opriți mașina și scoateți acumulatorul pentru a vă asigura că toate piesele în mișcare s-au oprit complet, dacă mașina începe să vibreze anormal, apoi pentru a verifica imediat dacă nu sunt deteriorate, înlocuiți sau reparați orice piesă deteriorată și pentru a verifica și strângeți orice piese slăbite.

**⚠ AVERTISMENT:** La depanare, utilizați numai piese de schimb identice. Utilizarea oricăror altor piese poate crea un pericol sau poate produce o deteriorare. Pentru siguranța și fiabilitatea produsului, toate reparațiile trebuie efectuate de către un tehnician de service autorizat.

## CURĂȚAREA MAȘINII DE TUNS IARBA

Dedesubtul punții mașinii de tuns iarba trebuie curățat după fiecare utilizare, pentru a preveni acumularea de iarbă tăiată, frunze, murdărie sau alte resturi.

Îndepărtați orice depuneri de iarbă sau frunze de pe sau din jurul axului transmisiei și al ventilatorului motorului. Curățați mașina de tuns ștergând-o cu o cârpă ușor umezită.

## ÎNLOCUIREA SETULUI DE LAME (Fig. R1, R2, R3)

**⚠ AVERTISMENT:** Scoateți întotdeauna acumulatorul și sacul de iarbă.

**⚠ AVERTISMENT:** Purtați întotdeauna mănuși de protecție.

**NOTIFICARE:** Curățați temeinic zona axului de transmisie și partea inferioară a mașinii înainte de a instala setul de lame.

1. Întoarceți mașina de tuns iarba cu susul în jos.
2. Scoateți/instalați setului de lame cu ajutorul unei chei dinamoelectrice și a două tije metalice ca ajutor, așa cum este ilustrat.
3. Partea imprimată a lamei este îndreptată spre exterior.

## DEPOZITAREA MAȘINII DE TUNS IARBĂ (Fig. S1 & S2)

- Îndepărtați setul de acumulatori din mașina de tuns iarba și depozitați-l într-un loc răcoros, uscat și curat. Nu depozitați mașina în apropierea materialelor corozive precum fertilizanți sau sare gemă.
- Goliți sacul de iarbă înainte de depozitare.
- Lăsați întotdeauna mașina de tuns iarba să se răcească înainte de depozitare.
- Curățarea și întreținerea înainte de depozitare.

**RO**

- Depozitați mașina de tuns într-un spațiu închis acoperit, răcoros, uscat și inaccesibil copiilor.
- Nu acoperiți mașina de tuns cu o folie de plastic solidă. Foliile acoperitoare de plastic acumulează umezeală în jurul mașinii de tuns iarba, ceea ce poate provoca rugină și coroziune.
- Mașina de tuns iarbă poate fi depozitată în poziție orizontală sau verticală (Fig. S1 & S2).

**⚠ AVERTISMENT:** Dacă mașina de tuns se răstoarnă din poziția verticală, poate cauza avarierea mașinii sau rănirea persoanelor. Păstrați întotdeauna mașina de tuns stabilă și inaccesibilă copiilor când este depozitată în poziție verticală. Dacă este posibil, depozitați-o orizontal.

## PROTEJÂND MEDIUL ÎNCONJURĂTOR



Nu eliminați aparatele electrocasnice ca deșeu municipal nesortat, utilizați centrele de colectare separată.

Contactați autoritățile locale pentru informații privind sistemele disponibile de colectare.

Dacă aparatele electrocasnice sunt eliminate la groapa de gunoi sau la haldă, se pot scurge substanțe periculoase în pânza freatică și acestea pot intra în lanțul trofic, afectându-vă sănătatea și bunăstarea.

## DEPANAREA

PROBLEMĂ	CAUZĂ	SOLUȚIE
Mașina de tuns iarba sau funcția de autopropulsie nu reușește să pornească.	<ul style="list-style-type: none"> <li>■ Încărcarea acumulatorului este epuizată.</li> </ul>	<ul style="list-style-type: none"> <li>■ Încărcați setul de acumulatori.</li> </ul>
	<ul style="list-style-type: none"> <li>■ Acumulatorul nu este introdus corespunzător în compartimentul pentru baterii.</li> </ul>	<ul style="list-style-type: none"> <li>■ Introduceți acumulatorul în compartimentul pentru baterii până când auziți un „clic”.</li> </ul>
	<ul style="list-style-type: none"> <li>■ Mânerul nu este blocat într-o poziție de funcționare și indicatorul de stare a mașinii de tuns iarba clipește verde.</li> </ul>	<ul style="list-style-type: none"> <li>■ Opriti mașina de tuns iarba și asigurați-vă că mânerul este blocat într-o poziție de funcționare.</li> </ul>
	<ul style="list-style-type: none"> <li>■ Puntea mașina de tuns iarba este înfundată cu iarba și resturi.</li> </ul>	<ul style="list-style-type: none"> <li>■ Curățați puntea mașinii de tuns iarba și asigurați-vă că setul de lame are libertate de mișcare.</li> </ul>
Mașina de tuns iarbă nu tunde uniform.	<ul style="list-style-type: none"> <li>■ Setul de lame este uzat.</li> </ul>	<ul style="list-style-type: none"> <li>■ Ascuțiți sau înlocuiți setul de lama.</li> </ul>
	<ul style="list-style-type: none"> <li>■ Înălțimea de tăiere nu este setată corect.</li> </ul>	<ul style="list-style-type: none"> <li>■ Mutați înălțimea punții la o setare mai mare.</li> </ul>
	<ul style="list-style-type: none"> <li>■ Setul de lame este instalat incorect.</li> </ul>	<ul style="list-style-type: none"> <li>■ Reasamblați setul de lame, urmând instrucțiunile din capitolul „ÎNLOCUIREA SETULUI DE LAME” din acest manual.</li> </ul>
	<ul style="list-style-type: none"> <li>■ Modul de viteză a lamei nu este setat corect.</li> </ul>	<ul style="list-style-type: none"> <li>■ Selectați un mod adecvat de viteză a lamei.</li> </ul>
Mașina de tuns iarba nu mărunțește corect.	<ul style="list-style-type: none"> <li>■ Resturile de iarba tăiată udă se lipesc de dedesubtul carcasei.</li> </ul>	<ul style="list-style-type: none"> <li>■ Așteptați să se usuce iarba înainte de a tunde.</li> </ul>
	<ul style="list-style-type: none"> <li>■ Mașina de tuns iarba este setată să taie prea multă iarba odată.</li> </ul>	<ul style="list-style-type: none"> <li>■ Ridicați puntea mașinii la o înălțime mai mare de tăiere.</li> </ul>
	<ul style="list-style-type: none"> <li>■ Modul de viteză a lamei nu este setat corect.</li> </ul>	<ul style="list-style-type: none"> <li>■ Selectați viteza lamei la o setare mai mică.</li> </ul>

**RO**

PROBLEMĂ	CAUZĂ	SOLUȚIE
Mașina de tuns iarba se oprește în mod neașteptat în timpul cositului.	<ul style="list-style-type: none"> <li>■ Încărcarea acumulatorului este epuizată.</li> </ul>	<ul style="list-style-type: none"> <li>■ Încărcați setul de acumulatori.</li> </ul>
	<ul style="list-style-type: none"> <li>■ Mașina de tuns iarba este supraîncărcată și indicatorul de stare a mașinii de tuns iarba clipește portocaliu.</li> </ul>	<ul style="list-style-type: none"> <li>■ Verificați dacă iarba s-a acumulat sub punte și curățați-o dacă este necesar. Ridicați înălțimea de tăiere sau încetiniți tunsul ierbii.</li> </ul>
	<ul style="list-style-type: none"> <li>■ Puntea mașina de tuns iarba este înfundată cu iarba și resturi.</li> </ul>	<ul style="list-style-type: none"> <li>■ Desfundați carcasa mașinii de tuns iarba. Ridicați înălțimea de tăiere și/sau tăiați o bandă mai îngustă.</li> </ul>
	<ul style="list-style-type: none"> <li>■ Acumulatorul sau circuitele mașinii de tuns iarba sunt prea fierbinți. Dacă acumulatorul este supraîncălzit, indicatorul de stare a mașinii de tuns iarba se stinge. Dacă mașina de tuns iarba este supra-încălzită, indicatorul de stare a mașinii de tuns iarba luminează portocaliu continuu.</li> </ul>	<ul style="list-style-type: none"> <li>■ Lăsați acumulatorul sau mașina de tuns iarba să se răcească.</li> </ul>
	<ul style="list-style-type: none"> <li>■ Modul de viteză a lamei nu este setat corect.</li> </ul>	<ul style="list-style-type: none"> <li>■ Selectați viteza lamei la o setare mai mică.</li> </ul>
	<ul style="list-style-type: none"> <li>■ Eroarea electronică a mașinii de tuns iarba și indicatorul de stare a mașinii de tuns iarba clipește alternativ roșu/verde.</li> </ul>	<ul style="list-style-type: none"> <li>■ Conectați centrul de service EGO.</li> </ul>
Există vibrații excesive.	<ul style="list-style-type: none"> <li>■ Setul de lame de tăiere nu este strâns destul.</li> </ul>	<ul style="list-style-type: none"> <li>■ Strângeți bolțul lamei.</li> </ul>
	<ul style="list-style-type: none"> <li>■ Setul de lame de tăiere este dezechilibrat.</li> </ul>	<ul style="list-style-type: none"> <li>■ Conectați centrul de service EGO.</li> </ul>
	<ul style="list-style-type: none"> <li>■ Lama de tăiere este îndoită.</li> </ul>	<ul style="list-style-type: none"> <li>■ Înlocuiți lama.</li> </ul>
	<ul style="list-style-type: none"> <li>■ Axul motorului este îndoit.</li> </ul>	<ul style="list-style-type: none"> <li>■ Conectați centrul de service EGO.</li> </ul>
	<ul style="list-style-type: none"> <li>■ Mașina de tuns iarba este setată să taie prea multă iarba odată.</li> </ul>	<ul style="list-style-type: none"> <li>■ Ridicați puntea mașinii la o înălțime mai mare de tăiere.</li> </ul>
	<ul style="list-style-type: none"> <li>■ Modul de viteză a lamei nu este setat corect.</li> </ul>	<ul style="list-style-type: none"> <li>■ Setați viteza lamei la o setare mai mică.</li> </ul>
Motorul funcționează dar lama nu taie iarba.	<ul style="list-style-type: none"> <li>■ Setul de lame nu este strâns la cuplul necesar.</li> </ul>	<ul style="list-style-type: none"> <li>■ Strângeți din nou setul de lame. Cuplul recomandat pentru șurubul lamei este de 50 - 60 Nm.</li> </ul>
Dificultate în deplasarea butonului de selectare a clipului de la o parte la alta.	<ul style="list-style-type: none"> <li>■ Tăierea excesivă a ierbii s-a acumulat pe partea superioară a glisierii.</li> </ul>	<ul style="list-style-type: none"> <li>■ Îndepărtați iarba de pe platforma mașinii de tuns iarba după fiecare utilizare a ușii.</li> </ul>

**RO**

## GARANȚIE

### POLITICA PRIVIND GARAȚIA EGO

Vă rugăm să consultați site-ul [egopowerplus.eu](http://egopowerplus.eu) pentru termenii și condițiile complete ale politicii privind garanția EGO.

**174**

## PREBERITE VSA NAVODILA!

**Predvidena uporaba:** Izdelek je namenjen ročni košnji trave:

- Uporabljajte samo za košnjo suhe trave. Ne kosite mokre trave.
- Ne uporabljajte za druge namene.

**⚠ OPOZORILO:** Preberite in razumite vsa varnostna navodila v tem uporabniškem priročniku, vključno z vsemi varnostnimi opozorilnimi simboli, kot so »NEVARNOST«, »OPOZORILO« in »PREVIDNO«, preden uporabite ta stroj. Zaradi neupoštevanja spodaj navedenih navodil lahko pride do električnega udara, požara in/ali resnih telesnih poškodb.

## VARNOSTNI SIMBOLI



Varnostno opozorilo



Pri upravljanju tega izdelka vedno nosite zaščito za sluh, zaščitna očala ali varnostna očala s stransko zaščito in zaščito za celoten obraz.



Pazite na vržene predmete, mimoidoči naj bodo varno oddaljeni.



Roke držite stran



Zagotovljena raven zvočne moči.



Ta izdelek je skladen z veljavno zakonodajo VB.

IPX4

Zaščita pred pljuskami vode

mm

Milimeter



Enosmerni tok



Za zmanjšanje nevarnosti telesnih poškodb je pomembno, da uporabnik pred uporabo tega izdelka prebere priročnik za uporabo in se z njim seznani.



Izklopite in odstranite baterijski sklop (napravo za ustavljanje) pred prilagajanjem ali čiščenjem.



Roke in noge vedno držite stran od rezil



Ne zrite v sijalko za prikaz delovanja.



Ta izdelek je skladen z veljavnimi direktivami ES.



Odpadnih električnih izdelkov ne odlagajte med gospodinjne odpadke. Odnosite jih v pooblaščen obrat za recikliranje.


V Volt

cm Centimeter

kg Kilogram

SL

## TEHNIČNI PODATKI

Napetost	56 V 	
Način hitrosti rezila	2	
	1	
	ECO	
Položaji višine košnje	8	
Nastavitev višine košnje	25 mm/33 mm/43 mm/ 54 mm/66 mm/79 mm/ 92 mm/105 mm	
Širina košnje	55 cm	
Prostornina vreče za travo	85 L	
Teža kosilnice (z vrečko za travo in baterijo BA6720T)	37 kg	
Model kompleta rezil	AB2212D-E	
Priporočena obratovalna temperatura	Od 0 °C do 40 °C	
Priporočena temperatura za shranjevanje	Od -20 °C do 70 °C	
Izmerjena raven zvočne moči raven $L_{WA}$	95 dB(A) K=0,7 dB(A)	
Raven zvočnega tlaka v ušesu upravljalca $L_{PA}$	83 dB(A) K=3 dB(A)	
Zagotovljen zvok raven moči $L_{WA}$ (merjeno v skladu z 2000/14/ES)	96 dB(A)	
Vrednotenje oddajanja vibracij $a_h$ :	Levi ročaj	1,35 m/s <sup>2</sup> K=1,5 m/s <sup>2</sup>
	Desni ročaj	1,35 m/s <sup>2</sup> K=1,5 m/s <sup>2</sup>

- Nazivna skupna vrednost treslajev je bila izmerjena v skladu s standardno preskusno metodo in jo je mogoče uporabiti za primerjavo enega stroja z drugim.
- Nazivno skupno vrednost treslajev je mogoče uporabiti tudi za predhodno oceno izpostavljenosti.

**⚠ OPOZORILO:** Oddajanje treslajev med dejansko uporabo stroja se lahko razlikuje od nazivne vrednosti, v kateri se uporablja stroj. Upravljalcev se lahko zaščiti tako, da uporablja rokavice in naušnike, primerne dejanskim pogojem uporabe.

**⚠ OPOZORILO:** glede na to, da je treba opredeliti varnostne ukrepe za zaščito upravljalca, ki temeljijo na oceni izpostavljenosti v dejanskih pogojih uporabe (ob upoštevanju vseh delov delovnega cikla, kot so časi, ko je orodje izklopljeno in ko teče v prostem teku, poleg časa sprožitve).

## VSEBINA PAKETA (SL. A1 & A2)

IME DELA	KOLIČINA
Kosilnica	1
Vreča za travo	1
Okvir vreče za travo	1
Priročnik za uporabo	1

## OPIS

### SPOZNAJTE SVOJO KOSILNICO (SI. A1 in A2)

1. Ročaj
2. Stranski ročaj
3. Sponka za zaklepanje ročaja
4. Zadnja vrata za izmet
5. Ročaj za dviganje
6. Pokrov prostora za baterije
7. LED žarometi
8. Gumb za izbiro obrezovanja
9. Sprednje kolo
10. Gumb za prilagajanje višine košnje
11. Pokrov
12. Zajem zraka
13. Zadnje kolo
14. Vzvod za hitro prilagajanje
15. Vreča za travo
16. Zadnji ščitnik
17. Sprožilec vrtenja rezila
18. Sprožilec samohodnega sistema
19. Gumb za hitro izbiro samopogona
20. Gumb za način hitrosti rezila
21. Gumb za vklop/izklop
22. Gumb za žaromete LED
23. Ikona LED žarometov
24. Indikator žarometov LED
25. Indikator stanja kosilnice
26. Ikona rezila

SL



27. Indikator načina hitrosti rezila
28. Ikona stanja kosilnice

## SESTAVLJANJE

**⚠ OPOZORILO:** Če so deli poškodovani ali manjkajo, izdelka ne uporabljajte, dokler ne zamenjate delov. Če ta izdelek uporabljate s poškodovanimi ali manjkajočimi deli, lahko pride do hudih telesnih poškodb.

**⚠ OPOZORILO:** Pri nameščanju delov vedno odstranite baterijski sklop, da preprečite nenamerni zagon, ki bi lahko povzročil resno telesno poškodbo.

**⚠ OPOZORILO:** Tega izdelka ne spreminjajte in ne izdelajte dodatkov, ki niso priporočeni za uporabo s to napravo. Vsako takšno spreminjanje naprave je zloraba in lahko privede do tveganj, ta pa do potencialnih telesnih poškodb.

### ODSTRANJEVANJE EMBALAŽE

- Iz škatle vzemite vso dodatno opremo.
- Hkrati primate sprednji del kosilnice in ročaj za dviganje ter previdno dvignite kosilnico navzgor in jo izvlecite iz škatle.

### PRILAGAJANJE ZLOŽLJIVEGA ROČAJA

**⚠ OPOZORILO:** Ne poskušajte zagnati kosilnice, dokler ročaj ni zaklenjen v enem od treh prednastavljenih položajev za delovanje: ZGORNJI DELOVNI POLOŽAJ, SREDNJI DELOVNI POLOŽAJ in SPODNJI DELOVNI POLOŽAJ.

1. Pritisnite in držite vzvod za hitro prilagajanje, da sprostite ročaj iz ZAKLENJENEGA POLOŽAJA ZA SHRANJEVANJE (sl. B1).

B1-1	Vzvod za hitro prilagajanje
------	-----------------------------

2. Ročaj dvignite iz zloženega položaja, nato sprostite vzvod. Nežno zavrtite ročaj navzgor, da zaslišite in začutite aktivacijo zaklepne sponke na enem izmed različnih položajev, kot je prikazano na sl. B2.

B2-1	Zaklenjen položaj za shranjevanje	B2-2	Položaj za namestitev/ odstranitev vreče za travo
B2-3	Zgornji delovni položaj	B2-4	Srednji delovni položaj
B2-5	Spodnji delovni položaj		

3. Popolnoma raztegnite stranske tirnice in varno zaprite sponko za zaklepanje ročaja (sl. B3).

**OPOMBA:** Motorja ni mogoče zagnati, razen v naslednjih primerih:

- Stranske tirnice so popolnoma iztegnjene.
- Zelena objemka za zaklepanje ročaja je varno zaprta.
- Ročaj je zaklenjen v enem izmed treh položajev za delovanje.

### SESTAVLJANJE VREČE ZA TRAVO (SI. C1, C2, C3)

Pred montažo preverite vrečko za travo, da se prepričate, da na njej ni poškodb.

Sestavite vrečko za travo, kot je prikazano na sliki.

### GUMB ZA IZBIRO OBREZOVANJA (SI. D)

Nastavite gumb za izbiro obrezovanja v enega izmed petih položajev, da dosežete zelene rezultate košnje.

Z gumbom lahko drsna vrata nastavite od popolnoma odprtega položaja »BAG« do popolnoma zaprtega položaja »MULCH«.

Z nastavitvijo gumba za izbiro obrezovanja lahko dosežete različne pogoje košnje.

**Če želite prestaviti gumb,** ga izvlecite iz varovala in ga nastavite v zeleni položaj.

**OBVESTILO:** Če med premikanjem gumba za izbiro obrezovanja z ene strani na drugo opazite velik upor, se je na vrhu drsni vrat morda nabralo preveč trave. Po vsaki uporabi odstranite travo pod kosilnico.

D-1	Drsna vrata	D-2	Položaj »MULCH«
D-3	Gumb za izbiro obrezovanja	D-4	Položaj »BAG«

SL

### POLOŽAJ DRSNIH VRAT

Drsna vrata lahko postavite tako, da dosežete različne rezultate košnje. Če želite spoznati razliko med položaji, namestite vrečko za travo in začnite kositi z gumbom za izbiro obrezovanja do konca v položaju »BAG«. Preverite videz trate. Ko gumb premaknete v položaj »MULCH«, se na trato za reciklažo vrne več trave. Nastavite gumb za izbiro obrezovanja, dokler ne dosežete zelenega rezultata. V hibridnem načinu za vrečkanje/mulčenje bo rez čist in fin.

- **Preklopite gumb za izbiro obrezovanja v položaj »BAG«,** drsna vrata so popolnoma odprta, tako da vsa pokošena trava pride v vrečko (sl. E1).
- **V hibridnih položajih za vrečkanje/mulčenje pripnite gumb za izbiro obrezovanja,** drsna vrata so delno zaprta. Nekaj odrezkov bo šlo v vrečo, nekaj pa jih bo drobno zmulčanih in usmerjenih na tla (sl. E2).

- Preklopni gumb za izbiro obrezovanja postavite v položaj »MULCH«, drsna vrata so popolnoma zaprta. Vsi obrezki se bodo fino zmleli in usmerili na tla (sl. E3).

## STRANSKO PRAZNIJENJE

### Za pritrditev/odstranitev žleba za stransko praznjenje (napredaj ločeno)

**OBVESTILO:** Pred uporabo žleba za stransko praznjenje se prepričajte, da je spodnji del krova čist.

- Odstranite vrečo za travo in nastavite gumb za izbiro obrezovanja v položaj »BAG«.
- V kosilnico namestite žleb za bočno praznjenje, kot je prikazano na sl. F.

## POLNO VREČKANJE

### Pritrjevanje/odstranjevanje vreče za travo

**⚠ OPOZORILO:** Pri običajni uporabi se material vreče za travo obrablja. Da bi zmanjšali tveganje za poškodbe, redno preverjajte sklop vreče za travo in jo zamenjajte, če se na njej pojavijo znaki obrabe. Uporabljajte samo vreče za travo, izdelane za to kosilnico.

**OBVESTILO:** Pred uporabo vreče za travo se prepričajte, da je spodnji del krova čist.

- Odstranite žleb za stransko praznjenje in nastavite gumb za izbiro obrezovanja v položaj »BAG«.
- V kosilnico namestite vrečko za travo, kot je prikazano na sliki. G.

SL

## POPOLNO MULČANJE (SI. H)

- Odstranite vrečo za travo.
- Sprostite zadnja vrata za izmet.
- Nastavite gumb za izbiro obrezovanja v položaj »MULCH«.

## HIBRIDNO VREČKANJE/MULČENJE (SI. J)

- Pritrdite vrečo za travo.
- Nastavite gumb za izbiro obrezovanja v enega izmed treh hibridnih položajev za vrečkanje/mulčenje.

**OPOMBA:** Ko gumb za izbiro obrezovanja premaknete proti položaju »MULCH«, se na trato za reciklažo vrne več trave.

Ko se gumb za izbiro obrezovanja pomakne proti položaju »BAG«, se več trave izvrže prek zadnjega izpusta v vrečo za travo.

## NASTAVITEV VIŠINE KOŠNJE (SI. K)

Pri prilagajanju višine držite stopala stran od pokrova.

Kosilnico lahko nastavite na 8 različnih višin med 25 mm in 105 mm. Oznaka označuje izbrano višino košnje.

Izberite primerno višino košnje glede na vrsto in stanje trave, ki jo boste kosili.

1. Izklopite kosilnico in počakajte, da se rezilo popolnoma ustavi.
2. Odstranite baterijski sklop.
3. Potegnite ročico za nastavev višine rezanja iz varovalke in jo nastavite v želeni položaj.

**OPOMBA:** Da ne bi preobremenili motorja, v visoki travi ne nastavljajte prenizke višine košnje. Če se hitrost motorja začne zmanjševati, povečajte višino rezanja.

## UPRAVLJANJE

Pri nameščanju delov, opravljanju prilagoditev, čiščenju ali kadar izdelek ni v uporabi vedno odstranite baterijski sklop. Odstranitev baterijskega sklopa bo preprečila nenamerni zagon, ki bi lahko povzročil resno telesno poškodbo.

## PRIKLJUČITEV/ODKLOP BATERIJSKEGA SKLOPA (SI. L)

Uporabljajte samo z baterijskimi sklopi in polnilniki podjetja EGO, navedenimi na sl. A3.

Za več podrobnosti glejte ustrezne priročnike za baterijske sklope in polnilnike.

### Pred prvo uporabo popolnoma napolnite baterijski sklop

1. Dvignete pokrov prostora za baterije, tako da dvignete sprednji del pokrova.
2. Če želite pritrditi baterijo, poravnajte rebra baterije z montažnimi režami in pritisnite paket baterij navzdol, dokler ne zaslišite »klika«.
3. Za odstranitev pritisnite gumb za sprostitev baterije in izvlecite baterijski sklop.
4. Zaprite pokrov prostora za baterije.

**OBVESTILO:** Pred uporabo se prepričajte, da se zaklep na kosilnici zaskoči na mesto in da je baterijski sklop pritrjen na kosilnico.

## IZBIRA NAČINA HITROSTI REZILA (SI. M)

- Način 2 je način z visoko hitrostjo rezila za visok dvig za izboljšanje sesalne sile ali učinkovitosti rezanja.
- Način 1 je najboljše razmerje med zmogljivostjo in časom delovanja.

- Način ECO zagotavlja najnižjo raven hrupa in najdaljši čas delovanja akumulatorja.

**OPOMBA:** Hitrosti rezila med delovanjem ni mogoče prilagoditi. Sprememba bo začela veljati šele po ustavitvi in ponovnem zagonu motorja.

Z zaporednim pritiskanjem gumba za način hitrosti rezila izberite **način 2, 1 ali ECO**.

**OPOMBA:** Privzet način hitrosti rezila je **1**.

M-1	Indikator hitrosti rezila	M-2	Gumb za način hitrosti rezila
-----	---------------------------	-----	-------------------------------

## ZAGON/ZAUSTAVITEV KOSILNICE

Izdelek se lahko uporablja v dežju.

**⚠ OPOZORILO:** Delovanje katere koli kosilnice lahko povzroči metanje tujkov v vaše oči, kar lahko povzroči resne poškodbe očesa. Med upravljanjem kosilnice ali izvajanjem kakršnihkoli prilagoditev ali popravil na kosilnici vedno nosite zaščitna očala.

**OBVESTILO:** Po izključitvi kosilnice se bo rezilo še nekaj sekund vrtelo. Pred ponovnim zagonom pustite, da se motor/rezilo ustavi. Kosilnice ne vključujte in izključujte hitro.

**⚠ OPOZORILO:** Ustavite rezilo, če je treba kosilnico nagniti za transport preko površin, ki niso trava, in pri transportu kosilnice na in z območja košnje.

**⚠ OPOZORILO:** Pri zagonu motorja ne nagibajte kosilnice, razen če je kosilnico treba nagniti za zagon. V tem primeru je ne nagnite bolj kot je nujno potrebno in dvignite samo del, ki je odmaknjen od upravljavca.

Pred uporabo vedno vizualno preverite, da rezilo in vijak rezila nista obrabljena ali poškodovana. Obrabljeno ali poškodovano rezilo in vijak zamenjajte hkrati, da ohranite uravnoveženost naprave.

### Preverite, ali ni zamašen rezalni list

- Da preprečite nastanek blokade, vzdržujte rezilo in zgornji del kosilnice čista. Pred in po vsaki uporabi odstranite pokošeno travo, listje, umazanijo in druge nakopičene ostanke.
- Ko pride do blokade, ustavite kosilnico in odstranite baterijo, nato pa odstranite vso nakopičeno travo in listje na ali okoli pogonske gredi in ventilatorja motorja. Kosilnico obrišite z vlažno krpo.

**POZOR:** Ne poskušajte zaobiti delovanja gumba za vklop in sprožilca vrtenja rezila.

**OPOMBA:** Motorja ni mogoče zagnati, če ročaj ni zaklenjen na enem od treh položajev za delovanje.

## Zagon kosilnice (Sl. N1 in N2)

1. Na kosilnico pritrdite baterijski sklop in zaprite pokrov prostora za baterijo.
2. Pritisnite gumb za vklop, da se prižge armaturna plošča, in zasveti se indikator stanja kosilnice - indikator hitrosti rezila za način 1.
3. Pritisnite gumb za način hitrosti rezila, da izberete željeno hitrost.
4. Pritisnite in pridržite gumb za vklop.
5. Ko pritisnete gumb za vklop, povlecite sprožilec vrtenja rezila, da se srečate z ročico, in spustite gumb za vklop.

## Za zaustavitev kosilnice (Sl. N3)

1. Popolnoma sprostite sprožilec vrtenja rezila.
2. Električna zavora v avtomatskem zavornem mehanizmu bo rezilo ustavila v 3 sekundah po sprostitvi vzvoda varnostnega stikala.

## SAMOHODNI SISTEM S SPREMENLJIVO HITROSTJO (Sl. P)

Kosilnica je opremljena s sposobnostjo samohodnega delovanja s spremenljivo hitrostjo. Ta samohodni sistem je neodvisen od vrtenja rezila.

## Za upravljanje samohodnega sistema brez vrtenja rezila

1. Pritisnite gumb za vklop/izklop, da osvetlite armaturno ploščo.
2. Nekoliko zavrtite izbirmik hitrosti samovoznega mehanizma naprej, dokler ne zaslišite klika, nato pritisnite sprožilec(-e) samovoznega mehanizma. Na voljo sta dva sprožilca za samopogon, pritisnite enega od njiju, da zaženete funkcijo samopogona.

**Če želite izklopiti samovozni pogon,** sprostite sprožilec samovoznega pogona.

P-1	Gumb za hitro izbiro samopogona	P-2	Sprožilec samohodnega sistema
-----	---------------------------------	-----	-------------------------------

## ŽAROMETI LED (Sl. Q)







**Če želite vklopiti žaromete,** pritisnite gumb za LED žaromete. Žarometi razsvetljujejo območje pred kosilnico.

**Če želite ugasniti žaromete,** ponovno pritisnite gumb.

SL

## INDIKATOR STANJA KOSILNICE (SI. A2)

Indikator stanja kosilnice na armaturni ploči prikazuje delovno stanje kosilnice.

Indikator	Opis	Pomen	Dejanje
	Sveti zeleno	Kosilnica deluje pravilno.	Ni zahtevano.
	Utripa zeleno	Stranska ročaja nista popolnoma iztegnjena.	Zaustavite kosilnico in se prepričajte, da so stranski ročaji v celoti iztegnjeni.
		Ročaj ni zaklenjen v delovnem položaju.	Zaustavite kosilnico in se prepričajte, da je ročaj zaklenjen v enem izmed treh delovnih položajev.
	Utripa rdeče	Nizka raven napolnjenosti baterije.	Ustavite kosilnico in napolnite baterijski sklop.
	Sveti oranžno	Kosilnica je pregreta.	Spustite varnostno stikalo in počakajte, da se temperatura kosilnice spusti pod 80 °C. Glejte » <b>ZAŠČITA KOSILNICE PRED VISOKIMI TEMPERATURAMI</b> « spodaj.
	Utripa oranžno	Kosilnica je preobremenjena.	<ol style="list-style-type: none"> <li>1. Odstranite baterije in preverite, ali se je pod pokrovom nabrala trava. Po potrebi očistite.</li> <li>2. Upočasnite korak pri rezanju.</li> <li>3. Dvignite višino rezanja.</li> <li>4. Če zgornje rešitve ne pomagajo, se obrnite na službo za pomoč uporabnikom EGO.</li> </ol> <p>Glejte razdelek »<b>ZAŠČITA KOSILNICE PRED PREOBREMENITVIJO</b>« spodaj.</p>
	Izmenično utripa rdeča/zelena	Napaka elektronike kosilnice.	Stopite v stik s storitvijo za kupce EGO.

SL

### ZAŠČITA KOSILNICE PRED VISOKO TEMPERATURO

Če temperatura kosilnice med delovanjem preseže 90 °C, zaščitno vezje takoj izklopi kosilnico, da prepreči poškodbe zaradi pregrevanja.

Indikator stanja baterije bo svelil oranžno. Spustite sprožilec vrtenja rezila in počakajte, da se pregreta kosilnica ohladi in indikator stanja postane zelen, nato pa znova zaženite kosilnico.

### ZAŠČITA PRED PREOBREMENITVIJO KOSILNICE

Da preprečite preobremenitev, ne poskušajte pokositi preveč trave naenkrat. Upočasnite korak ali povišajte višino reza.

Kosilnica ima vgrajeno zaščitno vezje pred preobremenitvijo. Ko je kosilnica preobremenjena, se bo motor zaustavil, indikator stanja kosilnice na armaturni ploči pa bo utripal oranžno.

## VZDRŽEVANJE

**⚠ OPOZORILO:** Da bi se izognili hudim telesnim poškodbam, vedno izklopite kosilnico, odstranite akumulator in poskrbite, da se vsi gibljivi deli popolnoma ustavijo, preden kosilnico očistite, opravite kakršnokoli vzdrževanje ali jo prevažate.

**⚠ OPOZORILO:** Poskrbite za redno vzdrževanje stroja.

**⚠ OPOZORILO:** Ustavite stroj in odstranite baterijski sklop, da se prepričate, da so se vsi gibljivi deli po udarcu ob tujek popolnoma zaustavili, ter da pregledate stroj glede poškodb in opravite popravila, preden znova zaženete in uporabljate stroj.

**⚠ OPOZORILO:** Zaustavite stroj in odstranite baterijo, da se prepričate, da so se vsi gibljivi deli popolnoma ustavili, če stroj začne nenormalno vibrirati, nato pa nemudoma preverite morebitne poškodbe, zamenjajte ali popravite morebitne poškodovane dele ter preverite in zategnite vse ohlapne dele.

**⚠ OPOZORILO:** Za popravila uporabljajte samo identične nadomestne dele. Uporaba drugih delov je tvegana in lahko poškoduje izdelek. Za zagotovitev varnosti in zanesljivosti mora vsa popravila izvesti usposobljen servisni tehnik.

### ČIŠČENJE KOSILNICE

Spodnjo stran pokrova kosilnice morate očistiti po vsaki uporabi, saj se tam nabirajo ostanke trave, listje, umazanija in drugi delci.

Odstranite vse ostanke trave in listja na pogonski gredi in ventilatorju motorja ali v njuni okolici. Kosilnico obrišite z vlažno krpo.

### ZAMENJAVA KOMPLETA REZIL (SI. R1, R2, R3)

**⚠ OPOZORILO:** Vedno odstranite baterijski vložek in vrečko za travo.

**⚠ OPOZORILO:** Vedno nosite zaščitne rokavice.

**OBVESTILO:** Pred namestitvijo kompleta rezil temeljito očistite območje pogonske gredi in spodnjo stran stroja.

1. Kosilnico obrnite z zgornjim delom navzdol.
2. S pomočjo ključa in dveh kovinskih palic odstranite/ namestite komplet rezil, kot je prikazano na sliki.
3. Natisnjena stran rezila obrnjena navzven.

### SHRANJEVANJE KOSILNICE (SI. S1 in S2)

- Iz kosilnice odstranite baterijski sklop in kosilnico shranite v hladnem, suhem in čistem prostoru. Ne shranjujte je v bližini korozivnih materialov, kot so gnojila ali kamena sol.
- Pred shranjevanjem izpraznite vrečo za travo.
- Pred shranjevanjem vedno pustite, da se kosilnica ohladi.
- Čiščenje in vzdrževanje pred shranjevanjem.
- Kosilnico shranite v pokrit in zaprt prostor, ki je hladen in suh ter izven dosega otrok.
- Kosilnice ne pokrivajte s plastično folijo. Plastična pokrivala ujamejo vlago okoli kosilnice, kar povzroči rjavenje in korozijo.
- Kosilnico lahko shranjujete leže ali pokončno (sl. S1 in S2).

**⚠ OPOZORILO:** Če se kosilnica prevrne iz pokončnega položaja, lahko pride do poškodb kosilnice ali telesnih poškodb. Ko je kosilnica v pokončnem položaju, poskrbite, da bo stabilna in izven dosega otrok. Če je mogoče, jo shranjujte v ležečem položaju.

### VAROVANJE OKOLJA



Električnih naprav ne odlagajte med mešane gospodinske odpadke, ampak jih oddajte na ustrezno zbirno mesto za odlaganje odpadkov.

Za informacije o razpoložljivih sistemih za zbiranje se obrnite na lokalno upravo.

Če električne naprave odvržete na smetišča, lahko nevarne snovi pronicajo v podtalnico in tako pridejo v prehranjevalno verigo, s čimer ogrozijo vaše zdravje in dobro počutje.

SL

## ODPRAVLJANJE TEŽAV

TEŽAVA	VZROK	REŠITEV
Kosilnica ali funkcija za samodejni pogon se ne zažene.	<ul style="list-style-type: none"> <li>■ Baterijski sklop je izprazen.</li> </ul>	<ul style="list-style-type: none"> <li>■ Napolnite baterijski sklop.</li> </ul>
	<ul style="list-style-type: none"> <li>■ Baterijski sklopi niso pravilno vstavljeni v prostor za baterije.</li> </ul>	<ul style="list-style-type: none"> <li>■ Baterijski sklop potisnite v prostor za baterijski akumulator, dokler ne zaslišite klika.</li> </ul>
	<ul style="list-style-type: none"> <li>■ Ročaj ni zaklenjen v delovnem položaju in indikator stanja kosilnice utripa zeleno.</li> </ul>	<ul style="list-style-type: none"> <li>■ Zaustavite kosilnico in se prepričajte, da je ročaj zaklenjen v enem izmed delovnih položajev.</li> </ul>
	<ul style="list-style-type: none"> <li>■ Pokrov kosilnice je zamašen s travo in delci.</li> </ul>	<ul style="list-style-type: none"> <li>■ Očistite pokrov kosilnice in se prepričajte, da ima komplet rezil prostor za premikanje.</li> </ul>
Kosilnica ne kosi enakomerno.	<ul style="list-style-type: none"> <li>■ Komplet rezil je top.</li> </ul>	<ul style="list-style-type: none"> <li>■ Naostrite ali zamenjajte komplet rezil.</li> </ul>
	<ul style="list-style-type: none"> <li>■ Višina košnje ni pravilno nastavljena.</li> </ul>	<ul style="list-style-type: none"> <li>■ Premaknite višino pokrova na višjo nastavitev.</li> </ul>
	<ul style="list-style-type: none"> <li>■ Komplet rezil je nepravilno nameščen.</li> </ul>	<ul style="list-style-type: none"> <li>■ Ponovno namestite komplet rezil v skladu s poglavjem »ZAMENJAVA KOMPLETA REZIL« v tem priročniku.</li> </ul>
	<ul style="list-style-type: none"> <li>■ Način hitrosti rezila ni pravilno nastavljen.</li> </ul>	<ul style="list-style-type: none"> <li>■ Izberite ustrezen način hitrosti rezila.</li> </ul>
Kosilnica ne mulči pravilno.	<ul style="list-style-type: none"> <li>■ Drobcji mokre trave so se nalepili na spodnjo stran pokrova.</li> </ul>	<ul style="list-style-type: none"> <li>■ Pred košenjem počakajte, da se trava posuši.</li> </ul>
	<ul style="list-style-type: none"> <li>■ Kosilnica je nastavljena tako, da kosi preveč trave naenkrat.</li> </ul>	<ul style="list-style-type: none"> <li>■ Pokrov dvignite na višjo nastavitev košnje.</li> </ul>
	<ul style="list-style-type: none"> <li>■ Način hitrosti rezila ni pravilno nastavljen.</li> </ul>	<ul style="list-style-type: none"> <li>■ Izberite hitrost rezila na nižjo nastavitev.</li> </ul>

SL

TEŽAVA	VZROK	REŠITEV
Kosilnica se med košnjo nepričakovano ustavi.	<ul style="list-style-type: none"> <li>■ Baterijski sklop je izprazenjen.</li> </ul>	<ul style="list-style-type: none"> <li>■ Napolnite baterijski sklop.</li> </ul>
	<ul style="list-style-type: none"> <li>■ Kosilnica je preobremenjena in indikator stanja kosilnice utripa oranžno.</li> </ul>	<ul style="list-style-type: none"> <li>■ Preverite, ali se je pod pokrovom nabrala trava, in po potrebi očistite. Zvišajte višino košnje ali upočasnite košnjo.</li> </ul>
	<ul style="list-style-type: none"> <li>■ Pokrov kosilnice je zamašen s travo in delci.</li> </ul>	<ul style="list-style-type: none"> <li>■ Očistite pokrov kosilnice. Zvišajte višino košnje in/ali kosite ozko območje.</li> </ul>
	<ul style="list-style-type: none"> <li>■ Baterija ali vezje kosilnice je prevroče. Če je baterija pregreta, se indikator stanja kosilnice izklopi. Če se kosilnica pregreje, indikator stanja kosilnice svetli oranžno.</li> </ul>	<ul style="list-style-type: none"> <li>■ Počakajte, da se baterija ali kosilnica ohladi.</li> </ul>
	<ul style="list-style-type: none"> <li>■ Način hitrosti rezila ni pravilno nastavljen.</li> </ul>	<ul style="list-style-type: none"> <li>■ Izberite hitrost rezila na nižjo nastavitev.</li> </ul>
	<ul style="list-style-type: none"> <li>■ Napaka elektronike kosilnice in indikator stanja kosilnice izmenično utripa rdeče/zeleno.</li> </ul>	<ul style="list-style-type: none"> <li>■ Stopite v stik servisnim centrom EGO.</li> </ul>
Prihaja do pretiranih vibracij.	<ul style="list-style-type: none"> <li>■ Komplet rezil je zrahljan.</li> </ul>	<ul style="list-style-type: none"> <li>■ Privijte vijak rezila.</li> </ul>
	<ul style="list-style-type: none"> <li>■ Komplet rezil ni uravnotežen.</li> </ul>	<ul style="list-style-type: none"> <li>■ Stopite v stik servisnim centrom EGO.</li> </ul>
	<ul style="list-style-type: none"> <li>■ Rezilo je upognjeno.</li> </ul>	<ul style="list-style-type: none"> <li>■ Zamenjajte rezilo.</li> </ul>
	<ul style="list-style-type: none"> <li>■ Gred motorja je upognjena.</li> </ul>	<ul style="list-style-type: none"> <li>■ Stopite v stik servisnim centrom EGO.</li> </ul>
	<ul style="list-style-type: none"> <li>■ Kosilnica je nastavljena tako, da kosi preveč trave naenkrat.</li> </ul>	<ul style="list-style-type: none"> <li>■ Pokrov dvignite na višjo nastavitev košnje.</li> </ul>
	<ul style="list-style-type: none"> <li>■ Način hitrosti rezila ni pravilno nastavljen.</li> </ul>	<ul style="list-style-type: none"> <li>■ Nastavite hitrost rezila na nižjo nastavitev.</li> </ul>
Motor deluje, vendar komplet rezil ne kosi trave.	<ul style="list-style-type: none"> <li>■ Komplet rezil ni privit na zahtevani navor.</li> </ul>	<ul style="list-style-type: none"> <li>■ Ponovno privijte komplet rezil. Priporočen navor za vijak rezila je med 50 in 60 Nm.</li> </ul>
Težavno premikanje gumba za izbiro obrezovanja z ene strani na drugo.	<ul style="list-style-type: none"> <li>■ Na drsniku se je nabrala prekomerna pokošena trava.</li> </ul>	<ul style="list-style-type: none"> <li>■ Po vsaki uporabi kosilnice odstranite travo s kosilnice.</li> </ul>

## GARANCIJA

### GARANCIJSKA POLITIKA DRUŽBE EGO

Za popolne pogoje garancijske politike družbe EGO obiščite spletno mesto [egopowerplus.eu](http://egopowerplus.eu).

## PERSKAITYKITE VISAS INSTRUKCIJAS!

**Paskirtis:** Šis gaminys yra skirtas vejai pjauti rankiniu būdu:

- Naudoti tik sausai žolei pjauti. Nepjauti šlapios žolės.
- Nenaudoti jokiam kitam tikslui.

**⚠️ ĮSPĖJIMAS:** Prieš pradėdami naudoti šį įrenginį, perskaitykite visus šioje naudojimo instrukcijoje pateiktus saugos nurodymus, įskaitant visus saugos įspėjamuosius simbolius, tokius kaip „**PAVOJUS**“, „**ĮSPĖJIMAS**“ ir „**DĖMESIO**“ bei įsitikinkite, ar viską gerai supratote. Nesilaikant visų toliau išdėstytų nurodymų galima patirti elektros smūgį, sukelti gaisrą ir (ar) sunkiai susižaloti.

## SAUGOS SIMBOLIAI



Įspėjimas dėl saugos



Dirbant su šiuo gaminiu visada naudoti klausos apsaugos priemones, apsauginius akinius ar apsauginius akinius su šonine apsauga arba visą veidą dengiantį skydelį.



Saugotis išsviestų daiktų – neleisti artintis pašaliniams asmenims.



Nekišti rankų.



Garantuojamas garso galios lygis.

LT



Šis gaminys atitinka taikomas JK direktyvas.

IPX4

Apsauga nuo vandens pusrū.

mm

Milimetrai



Nuolatinė srovė



Kad sumažintų susižalojimo pavojų, prieš naudodamas šį gaminį naudotojas turi perskaityti naudotojo vadovą ir įsitikinti, kad jį suprato.



Išjungti įrenginį ir išimti atjungiamą sudėtinę bateriją (arba išjungimo įtaisą) prieš reguliuojant ar valant.



Nekišti rankų ir kojų prie peilių.



Įdėmiai nežiūrėti į šviečiantį žibintą.



Šis gaminys atitinka taikomas EB direktyvas.



Netinkamus naudoti elektrinius gaminius draudžiama išmesti kartu su buitinėmis atliekomis. Pristatyti įgaliotam perdirbėjui.

V

Voltai

cm

Centimetrai

kg

Kilogramai



## TECHNINIAI DUOMENYS

Įtampa	56 V	
Peilio sukimosi greičio režimas	2	
	1	
	ECO	
Pjovimo aukščio padėties	8	
Pjovimo aukščio nuostatos	25 mm / 33 mm / 43 mm / 54 mm / 66 mm / 79 mm / 92 mm / 105 mm	
Pjovimo plotis	55 cm	
Žolės rinktuvo tūris	85 l	
Vejaplovės svoris (su žolės krepšiu ir baterija BA6720T)	37 kg	
Peilių rinkinio modelis	AB2212D-E	
Rekomenduojama darbo temperatūra	0 - 40 °C	
Rekomenduojama laikymo temperatūra	-20 - 70 °C	
Išmatuotas garso galios lygis $L_{WA}$	95 dB(A) K=0,7 dB(A)	
Garso slėgio lygis ties operatoriaus ausimi $L_{PA}$	83 dB(A) K=3 dB(A)	
Garantuotas garso galios lygis $L_{WA}$ (išmatuotas pagal 2000/14/EB)	96 dB(A)	
Vibracijos vertė $a_h$ :	Kairioji rankena	1,35 m/s <sup>2</sup> K=1,5 m/s <sup>2</sup>
	Dešinioji rankena	1,35 m/s <sup>2</sup> K=1,5 m/s <sup>2</sup>

- Nurodyta bendroji vibracijos vertė išmatuota taikant standartinį bandymo metodą, todėl pagal ją galima palyginti skirtingus įrenginius.
- Nurodytą bendrąją vibracijos vertę taip pat galima naudoti pirminiam poveikio vertinimui.

**⚠ ĮSPĖJIMAS:** Naudojant įrenginį realiomis sąlygomis, skleidžiamos vibracijos stiprumo vertė gali skirtis nuo nurodytos. Kad apsisaugotų dirbdamas realiomis sąlygomis, naudotojas turi mūvėti pirštines ir naudoti klausos apsaugos priemones.

**⚠ ĮSPĖJIMAS:** Reikia nustatyti saugos priemones, skirtas apsaugoti operatorių, kurios būtų pagrįstos poveikio įvertinimu faktinėmis naudojimo sąlygomis (atsižvelgiant į visas darbo ciklo dalis, pvz., laiką, kai įrankis išjungtas ir kai jis veikia tuščiaja eiga, be paleidimo laiko).

## PAKUOTĖS TURINIO SĄRAŠAS (A1 IR A2 PAV.)

DALIES PAVADINIMAS	KIEKIS
Vejaplovė	1
Žolės rinktuvas	1
Žolės rinktuvo rėmas	1
Operatoriaus vadovas	1

## APRAŠYMAS

### VEJAPLOVĖS DALYS (A1 ir A2 pav.)

1. Rankena
2. Šoninis strypas
3. Rankenos fiksavimo apkaba
4. Galinės išmetimo angos durelės
5. Pakėlimo rankena
6. Baterijų skyriaus dangtelis
7. LED priekiniai žibintai
8. Pjovimo režimo pasirinkimo rankenėlė
9. Priekinis ratas
10. Pjovimo aukščio reguliavimo rankenėlė
11. Platforma
12. Oro įtraukimo anga
13. Galinis ratas
14. Greitojo reguliavimo svirtis
15. Žolės rinktuvas
16. Galinis skydelis
17. Peilių sukimosi svirtis
18. Savosios eigos svirtis
19. Savosios eigos greičio reguliavimo ratukas
20. Peilių sukimosi greičio režimo mygtukas
21. Maitinimo mygtukas
22. LED priekinių žibintų mygtukas
23. LED priekinių žibintų piktograma
24. LED priekinių žibintų indikatorius
25. Vejaplovės būsenos indikatorius
26. Peilių piktograma

LT

27. Peilių sukimosi greičio režimo indikatorius  
28. Vejaplovės būsenos piktograma

## SURINKIMAS

**⚠️ ĮSPĖJIMAS:** Jei kurios nors dalys pažeistos arba jų nėra, nenaudokite šio gaminio tol, kol tos dalys nebus pakeistos. Naudojant gaminį su pažeistomis dalimis arba kai jų trūksta, galima sunkiai susižaloti.

**⚠️ ĮSPĖJIMAS:** Kad išvengtumėte atsitiktinio įrenginio paleidimo ir galimo sunkaus sužalojimo, prieš surinkdami įrenginio dalis visada iš jo išimkite sudėtinę bateriją.

**⚠️ ĮSPĖJIMAS:** Nebandykite keisti šio įrenginio konstrukcijos arba naudoti priedus, kurie nėra rekomenduojami naudoti su šiuo įrenginiu. Visi tokie pakeitimai ir modifikacijos laikomi netinkamu naudojimui. Jie gali lemti pavojingas aplinkybes, dėl kurių galima susižaloti.

### ĮSPAKAVIMAS

- Išimkite iš dėžės visas dalis.
- Vienu metu suimkite vejaplovės priekinę dalį ir pakėlimo rankeną, kad atsargiai iškeltumėte vejaplovę aukštyrą iš dėžės.

### NULENKIAMOS RANKENOS REGULIAVIMAS

**⚠️ ĮSPĖJIMAS:** Nemėginkite paleisti vejaplovės, kol neužfiksuosite rankenos vienoje iš trijų iš anksto nustatytų darbinųjų padėčių: VIRŠUTINĖ DARBINĖ PADĖTIS, VIDURINĖ DARBINĖ PADĖTIS ir APATINĖ DARBINĖ PADĖTIS.

1. Paspauskite ir laikykite nuspaudę greitojo reguliavimo svirtį, kad atlaisvintumėte rankeną iš FIKSUOTOS LAIKYMO PADĖTIES (B1 pav.).

B1-1	Greitojo reguliavimo svirtis
------	------------------------------

2. Pakelkite rankeną iš nulenkto padėties ir atleiskite svirtį. Atsargiai kelkite rankeną aukštyrą tol, kol išgirsite ir pajusite, kaip fiksavimo kaištis užsikisuoja vienoje iš galimų padėčių, pavaizduotų B2 pav.

B2-1	Fiksuota laikymo padėtis	B2-2	Žolės rinktuvo prikabinimo ir nuėmimo padėtis
B2-3	Viršutinė darbinė padėtis	B2-4	Vidurinė darbinė padėtis
B2-5	Apatinė darbinė padėtis		

3. Iki galo ištraukite šoninius strypus ir tvirtai uždarykite rankenos fiksavimo apkabą (B3 pav.).

**PASTABA:** Variklį galima paleisti tik išpildžius šias sąlygas:

- Šoniniai strypai iki galo ištraukti.
- Žalios spalvos rankenos fiksavimo apkaba tvirtai uždaryta.
- Rankena užfiksuota vienoje iš trijų darbinųjų padėčių.

### ŽOLĖS RINKTUVO SURINKIMAS (C1, C2, C3 pav.)

Prieš surinkdami žolės rinktuvą patikrinkite, ar jis nepažeistas.

Žolės rinktuvą surinkite, kaip pavaizduota paveikslėliuose.

### PJOVIMO REŽIMO PASIRINKIMO RANKENĖLĖ (D pav.)

Nustatykite pjovimo režimo pasirinkimo rankenėlę į bet kurią iš penkių padėčių, kad pasiektumėte norimus pjovimo rezultatus.

Rankenėle galima keisti stumdomų durelių padėtį nuo visiškai atidarytos (žolės nuopjovų rinkimo į rinktuvą) padėties iki visiškai uždarytos (žolės nuopjovų išbarstymo – mulčiavimo) padėties.

Reguliuojant su pjovimo režimo pasirinkimo rankenėle galima pasirinkti norimą pjovimo režimą.

**Norėdami pakeisti rankenėlės padėtį,** ištraukite ją iš įrastos ir perkelkite į norimą padėtį.

**PASTABA:** Jeigu keičiant rankenėlės padėtį pastebimas didelis pasipriešinimas, ant stumdomų durelių viršaus galėjo susikaupti daug žolės nuopjovų. Kiekvieną kartą po žolės pjovimo pašalinkite prikibusias nuopjovas nuo vejaplovės platformos dugno.

D-1	Stumdomos durelės	D-2	Mulčiavimo padėtis
D-3	Pjovimo režimo pasirinkimo rankenėlė	D-4	Rinktuvo padėtis

### STUMDOMŲ DURELIŲ PADĖTIS

Stumdomų durelių padėtį galima keisti, taip gaunant skirtingus pjovimo rezultatus. Kad sužinotumėte, koks tarp šių padėčių skirtumas, prikabininkite žolės rinktuvą ir pradėkite pjauti, pjovimo režimo pasirinkimo rankenėlę nustatę į „Rinktuvo“ padėtį. Po to patikrinkite vejos išvaizdą. Kuo arčiau rankenėlės perkeliama link „Mulčiavimo“ padėties, tuo daugiau nupjautos žolės išbarstoma atgal ant vejos. Reguliuokite su pjovimo režimo pasirinkimo rankenėle, kol pasieksite norimą rezultatą. Suradę tinkamiausią tarpinį režimą tarp žolės rinkimo ir mulčiavimo, gausite švariai ir gražiai nupjautą veją.

- **Pjovimo režimo pasirinkimo rankenėlė „Rinktuvo“ padėtyje:** Stumdamos duralės iki galo atidarytos ir į žolės rinktuvą surenkamos visos nuopjovos (E1 pav.).
- **Pjovimo režimo pasirinkimo rankenėlė tarpinėje padėtyje tarp žolės rinkimo ir barstymo:** Stumdamos duralės dalinai uždarytos. Dalis žolės nuopjovų patenka į rinktuvą, o kita dalis susmulkinama ir išbarstoma ant vejos (E2 pav.).
- **Pjovimo režimo pasirinkimo rankenėlė „Mulčiavimo“ padėtyje:** Stumdamos duralės visiškai uždarytos. Visos žolės nuopjovos susmulkinamos ir išbarstomos ant vejos (E3 pav.).

## ŠONINIS IŠMETIMAS

### Šoninio žolės išmetimo įtaiso tvirtinimas ir nuėmimas (parduodamas atskirai)

**PASTABA:** Prieš tvirtindami šoninio išmetimo įtaisą, nuvalykite platformos dugną.

- Nuimkite žolės rinktuvą ir nustatykite pjovimo režimo pasirinkimo rankenėlę į „Rinktuvo“ padėtį.
- Šoninio išmetimo įtaisą prie vejojovės pritvirtinkite, kaip parodyta F pav.

## VISOS NUPJAUTOS ŽOLĖS RINKIMAS

### Žolės rinktuvo tvirtinimas ir nuėmimas

**⚠ ĮSPĖJIMAS:** Įprastai naudojant žolės rinktuvo medžiaga dėvisi. Kad sumažėtų pavojus susižaloti, žolės rinktuvą dažnai tikrinkite ir pakeiskite atsiradus susidėvėjimo požymiams. Naudokite tik šiai vejojlovei pagamintus žolės rinktuvus.

**PASTABA:** Prieš tvirtindami žolės rinktuvą, nuvalykite platformos dugną.

- Nuimkite šoninio išmetimo įtaisą ir nustatykite pjovimo režimo pasirinkimo rankenėlę į „Rinktuvo“ padėtį.
- Žolės rinktuvą prie vejojovės prikabinkite, kaip parodyta G pav.

## VISOS NUPJAUTOS ŽOLĖS MULČIAVIMAS (H pav.)

- Nuimkite žolės rinktuvą.
- Atlaisvinkite galinės išmetimo angos dureles.
- Pjovimo režimo pasirinkimo rankenėlę nustatykite į „Mulčiavimo“ padėtį.

## TARPINIS REŽIMAS TARP NUPJAUTOS ŽOLĖS RINKIMO IR MULČIAVIMO

- Prikabinkite žolės rinktuvą.
- Pjovimo režimo pasirinkimo rankenėlę nustatykite į vieną iš trijų tarpinių padėčių.

**PASTABA:** Kuo arčiau rankenėlė perkeliama link „Mulčiavimo“ padėties, tuo daugiau nupjautos žolės išbarstoma atgal ant vejos.

Kuo arčiau rankenėlė perkeliama link „Rinktuvo“ padėties, tuo daugiau nupjautos žolės pro galinio išmetimo angą paduodama į žolės rinktuvą.

## PJOVIMO AUKŠČIO REGULIAVIMAS (K pav.)

Kai reguliuojate pjovimo aukštį, nekiškite kojų prie pjovimo platformos.

Vejojovėje galima nustatyti 8 pjovimo aukščius nuo 25 mm iki 105 mm. Pasirinktą pjovimo aukštį rodo atitinkama žymė.

Pasirinkite tinkamą pjovimo aukštį, atsižvelgdami į pjaunamos žolės tipą ir būklę.

1. Išjunkite vejojovę ir palaukite, kol pjovimo peilis visiškai sustos.
2. Išimkite sudėtinę bateriją.
3. Atkabinkite pjovimo aukščio reguliavimo svirtį iš įrantos ir nustatykite į norimą padėtį.

**PASTABA:** Kad pernelyg neapkrautumėte variklio, aukštoje žolėje nenustatykite per žemo pjovimo aukščio. Jei variklio sūkliai pradeda kristi, padidinkite pjovimo aukštį.

## DARBAS

Visada išimkite sudėtinę bateriją iš gaminio, kai montuojate dalis, reguliuojate, valote arba nenaudojate gaminio. Išėmę sudėtinę bateriją išvengsite atsitiktinio paleidimo, kuris gali sunkiai sužaloti.

## SUDĖTINĖS BATERIJOS PRIJUNGIMAS IR ATJUNGIMAS (L pav.)

Naudokite tik A3 pav. išvardintas EGO sudėtines baterijas ir įkroviklius.

Daugiau informacijos rasite atitinkamuose sudėtinėjų baterijų ir įkroviklių vadovuose.

### Prieš naudodami pirmą kartą iki galo įkraukite

1. Pakelkite baterijų skyriaus dangtelį keldami jo priekį.
2. **Norėdami prijungti,** įtaikykite baterijos briaunas į įstatymo griovelius ir spauskite bateriją žemyn, kol išgirsite spragtelėjimą.
3. **Norėdami atjungti,** paspauskite sudėtinės baterijos atjungimo mygtuką ir bateriją ištraukite.
4. Uždarykite baterijų skyriaus dangtelį.

**PASTABA:** Prieš pradėdami dirbti patikrinkite, ar vejojovės fiksatorius užsifiksavo savo vietoje ir ar sudėtinė baterija tinkamai įstatyta.

## PEILIŲ SUKIMOSI GREIČIO REŽIMO PASIRINKIMAS (M pav.)

- **2 režimas** yra didelio peilių sukimosi greičio režimas, skirtas žolės nuopjovoms aukštai pakelti, kad išaugtų siurbimo jėga ir pjovimo našumas.
- **1 režimas** užtikrina geriausią našumo ir vejamųjų veikimo trukmės santykį.
- **ECO režimas** užtikrina mažiausią triukšmo lygį ir ilgiausią sudėtinės baterijos veikimo laiką.

**PASTABA:** Peilių sukimosi greičio negalima reguliuoti darbo metu. Greitis pasikeičia tik sustabdžius ir vėl paleidus variklį.

Eilės tvarka pasirinkite tarp **2, 1** arba **ECO režimo**, spustelėdami peilių sukimosi greičio režimo mygtuką.

**PASTABA:** Numatytasis peilių sukimosi greičio režimas yra 1.

M-1	Peilių sukimosi greičio indikatorius	M-2	Peilių sukimosi greičio režimo mygtukas
-----	--------------------------------------	-----	---

## VEJAPJOVĖS PALEIDIMAS IR SUSTABDYMAS

Šį gaminį galima naudoti ir lyjant lietuvi.

**⚠️ ĮSPĖJIMAS:** Dirbant su bet kokia vejamąja, į jūsų ar kitų asmenų akis gali būti išsviestos ir patekti šiukšlės, taip sunkiai sužalodamos. Visada užsidėkite apsauginius akinius, kai dirbate su vejamąja, ją reguliuojate arba remontuojate.

**PASTABA:** Išjungus vejamąją, peilis dar kelias sekundes sukasi. Prieš dar kartą ją paleisdami, palaukite, kol variklis (peilis) nustos sukintis. Išjungę nebandykite iš karto įjungti vejamąją.

**⚠️ ĮSPĖJIMAS:** Sustabdykite peilį, kai vejamąją reikia pakreipti, kad būtų galima perstumti per paviršius, ant kurio neauga žolė, ir kai stumiate vejamąją į vietą, kurioje pjausite veją, arba iš jos.

**⚠️ ĮSPĖJIMAS:** Įjungdami variklį vejamąją nekreipkite ant šono, išskyrus tuos atvejus, kai vejamąją reikia pakreipti, norint ją paleisti. Minėtuju atveju pakelkite tik tiek, kiek tikrai reikia, ir kelkite tik tą dalį, kuri yra priešingoje pusėje nei operatorius.

Prieš naudodami visada vizualiai patikrinkite, ar peilis ir peilio varžtas nesudilę ar nepažeisti. Susidėvėjusį arba pažeistą peilį ir varžtus keiskite kaip rinkinį, kad išlaikytumėte subalansavimą.

## Pjovimo peilių įstrigimo tikrinimas

- Siekiant išvengti įstrigimo, pjovimo peiliai ir vejamąjė turi būti švarūs. Prieš ir po kiekvieno naudojimo pašalinkite žolės nuopojas, lapus, nesvarumus ir visas kitas susikaupusias šiukšles.
- Vejamąjė užsikimšus, pirma sustabdykite variklį ir išimkite sudėtinę bateriją, o po to pašalinkite visas susikaupusias žoles ir lapus nuo varančiojo veleno ir variklio ventiliatoriaus ar aplink juos. Drėgnu skudurėliu vejamąjė švariai nuvalykite.

**DĖMESIO:** Nebandykite pakeisti maitinimo mygtuko ir peilių sukimosi svirties prijungimo schemų.

**PASTABA:** Variklio negalima paleisti, kol rankena nėra užfiksuota vienoje iš trijų darbinio padėčių.

## Vejamųjų paleidimas (N1 ir N2 pav.)

1. Įstatykite į vejamąją sudėtinę bateriją ir uždarykite baterijų skyriaus dangtelį.
2. Paspauskite maitinimo mygtuką, kad nušvištų prietaisų skydelis; tuo pat metu užsidega ir būsenos indikatorius bei peilių sukimosi greičio indikatorius 1.
3. Paspauskite peilių sukimosi greičio režimo mygtuką, kad pasirinktumėte norimą greitį.
4. Paspauskite ir laikykite nuspaudę maitinimo mygtuką.
5. Laikydami nuspaudę maitinimo mygtuką, pritraukite peilių sukimosi svirtį prie rankenos, o po to atleiskite maitinimo mygtuką.

## Vejamųjų sustabdymas (N3 pav.)

1. Visiškai atleiskite peilių sukimosi svirtį.
2. Atleidus peilių sukimosi svirtį, automatinio stabdymo mechanizmo elektrinis stabdys per 3 sekundes sustabdo besisukančią peilį.

## REGULIUOJAMO GREIČIO SAVOSIOS EIGOS SISTEMA (P pav.)

Vejamąjėje įrengta reguliuojamo greičio savosios eigos sistema. Ši savosios eigos sistema veikia nepriklausomai nuo peilio sukimosi.

## Savosios eigos sistemos įjungimas nepaleidžiant peilių variklio

1. Paspauskite maitinimo mygtuką, kad nušvištų prietaisų skydelis.
2. Šiek tiek pasukite savosios eigos greičio reguliavimo ratuką į priekį iki spragtelėjimo, o po to nuspauskite savosios eigos svirtį (-is). Įrengtos dvi savosios eigos svirtys ir galite nuspaušti bet kurią iš jų, kad įjungtumėte savosios eigos funkciją.

Jei norite išjungti judėjimą savąja eiga, atleiskite savosios eigos svirtį.

P-1	Savosios eigos greičio reguliavimo ratukas	P-2	Savosios eigos svirtis
-----	--	-----	------------------------

#### LED PRIEKINIAI ŽIBINTAI (Q pav.)

**Norėdami įjungti priekinius žibintus**, paspauskite LED priekinių žibintų mygtuką. Priekiniai žibintai ryškia šviesa apšviečia zoną vejamajoms priekyje.

**Norėdami išjungti priekinius žibintus**, paspauskite mygtuką dar kartą.

#### VEJAPJOVĖS BŪSENOS INDIKATORIAI (A2 pav.)

Vejamajoms būsenos indikatoriai prietaisų skydelyje rodo vejamajoms darbinę būseną.

Indikatorius	Aprašymas	Reikšmė	Veiksmas
	Šviečia žalias	Vejamajė veikia tinkamai.	Nieko daryti nereikia.
	Mirksi žalias	Ne iki galo ištraukti šoniniai strypai.	Sustabdykite vejamą ir patikrinkite, ar iki galo ištraukti šoniniai strypai.
		Rankena neužfiksuota darbinėje padėtyje.	Sustabdykite vejamą ir patikrinkite, ar rankena užfiksuota vienoje iš darbinųjų padėčių.
	Mirksi raudonas	Žema baterijos įkrova.	Sustabdykite vejamą ir įkraukite sudėtinę bateriją.
	Šviečia oranžinis	Vejamajė perkaito.	Atleiskite svirtinį jungiklį ir palaukite, kol vejamajoms temperatūra nukris žemiau 80 °C. Žr. toliau „ <b>VEJAPJOVĖS APSAUGA NUO PERKAITIMO</b> “.
	Mirksi oranžinis	Per didelė vejamajoms apkrova.	<ol style="list-style-type: none"> <li>Išimkite sudėtinę bateriją ir patikrinkite, ar po pjovimo platforma neprisikauptė žolės. Išvalykite, jei reikia.</li> <li>Pjaudami sumažinkite judėjimo tempą.</li> <li>Padidinkite pjovimo aukštį.</li> <li>Jei aukščiau išvardinti sprendimai nepadedą, kreipkitės į EGO klientų aptarnavimo tarnybą.</li> </ol> Žr. toliau „ <b>VEJAPJOVĖS APSAUGA NUO PERKROVOS</b> “.
	Mirksi pakaitomis raudonas ir žalias	Vejamajoms elektronikos sistemos klaida.	Kreipkitės į EGO klientų aptarnavimo tarnybą.

LT

## VEJAPJOVĖS APSAUGA NUO PERKAITIMO

Jei darbo metu vejapjovės temperatūra viršija 90 °C, apsaugos nuo aukštos temperatūros grandinė vejapjovę iš karto išjungia, kad apsaugotų nuo sugadinimo.

Vejapjovės būsenos indikatorius nuolat dega oranžine spalva. Atleiskite peilių sukimosi svirtį ir palaukite, kol perkaitusi vejapjovė atvės ir būsenos indikatorius spalva pasikeis į žalią – tuomet vejapjovę paleiskite iš naujo.

## VEJAPJOVĖS APSAUGA NUO PERKROVOS

Kad išvengtumėte perkrovos, nebandykite vienu kartu nupjauti pernelyg daug žolės. Sulėtinkite judėjimo tempą arba padidinkite pjovimo aukštį.

Vejapjovėje įrengta apsaugos nuo perkrovos grandinė. Vejapjovės apkrovai pernelyg išaugus, variklis sustabdomas, o vejapjovės būsenos indikatorius prietaisų skydelyje mirksi oranžine spalva.

## TECHNINĖ PRIEŽIŪRA

**⚠️ ĮSPĖJIMAS:** Kad nepatirtumėte sunkios traumos, prieš vejapjovės valymą, techninės priežiūros darbų vykdymą ar pervežimą vejapjovę visada išjunkite, išimkite sudėtinę bateriją ir įsitinkinkite, kad visos judamos dalys visiškai sustoję.

**⚠️ ĮSPĖJIMAS:** Visada reguliariai atlikite įrenginio techninę priežiūrą.

**⚠️ ĮSPĖJIMAS:** Po atsitrenkimo į kietą kliūtį įrenginį sustabdykite ir išimkite sudėtinę bateriją, kad visos judamos dalys visiškai sustotų. Prieš vėl paleisdami ir dirbdami su įrenginiu jį patikrinkite, ar nepažeistas, ir suremontuokite, jei reikia.

**⚠️ ĮSPĖJIMAS:** Jei įrenginys pradėjo neįprastai vibruoti, jį sustabdykite ir išimkite sudėtinę bateriją, kad visos judamos dalys visiškai sustotų. Nedelsdami patikrinkite, ar įrenginys nepažeistas, ir pakeiskite arba suremontuokite pažeistas dalis; taip pat patikrinkite, ar nėra atsilaisvinusių dalių, ir jas priveržkite, jei reikia.

**⚠️ ĮSPĖJIMAS:** Vykdydami techninės priežiūros darbus, naudokite tik identišką atsarginę dalis. Naudojant bet kokias kitas dalis, gali kilti pavojus arba sugesti gaminys. Kad būtų užtikrintas saugumas ir patikimumas, visus remonto darbus turi atlikti kvalifikuotas techninės priežiūros specialistas.

## VEJAPJOVĖS VALYMAS

Kaskart panaudojus vejapjovę, reikia nuvalyti pjovimo platformos apačią, nes joje kaupiasi nupjauta žolė, lapai, nešvarumai ir kitos apnašos.

Pašalinkite ant varančiojo veleno ir variklio ventilatorius susikaupusią žolę bei lapus. Drėgnu skudurėliu vejapjovę švariai nuvalykite.

## PEILIŲ RINKINIO KEITIMAS (R1, R2, R3 pav.)

**⚠️ ĮSPĖJIMAS:** Visada išimkite sudėtinę bateriją ir nuimkite žolės rinktuvą.

**⚠️ ĮSPĖJIMAS:** Visada mūvėkite apsaugines pirštines.

**PASTABA:** Prieš tvirtindami peilių rinkinį kruopščiai nuvalykite vietą aplink varantįjį veleną ir įrenginio apačią.

1. Apverskite vejapjovę.
2. Nuimkite ar pritvirtinkite peilių rinkinį naudodami dinamometrinį veržliaraktį ir du metalinius strypelius, kaip pavaizduota paveikslėliuose.
3. Peilio pusė su užrašu turi būti nukreipta į išorę.

## VEJAPJOVĖS LAIKYMAS (S1 ir S2 pav.)

- Išimkite sudėtinę bateriją iš vejapjovės ir laikykite ją vėsioje, sausoje ir švarioje vietoje. Nelaikykite jos šalia šaldinančių medžiagų, pvz., trašų arba akmens druskos.
- Prieš pastatydami į sandėlį ištuštinkite žolės rinktuvą.
- Prieš sandėliuodami vejapjovę visada leiskite jai atvėsti.
- Valymas ir priežiūra prieš sandėliavimą.
- Vejapjovę laikykite uždengtoje ir uždaroje vietoje, kuri yra vėsi, sausa ir neprieinama vaikams.
- Neuždenkite vejapjovės vientisa plastikine plėvele. Plastikinė plėvelė sulauko drėgmę ant vejapjovės, todėl ji pradeda rūdyti.
- Vejapjovę galima laikyti tiek horizontaliai, tiek vertikaliai (S1 ir S2 pav.).

**⚠️ ĮSPĖJIMAS:** Vejapjovėi nuvirtus iš vertikalios padėties, gali būti sugadinta vejapjovė arba sužalotas žmogus. Jei vejapjovę laikote vertikaliaje padėtyje, užtikrinkite jos stabilumą ir neprieinamumą vaikams. Jei įmanoma, laikykite pastatytą ant žemės.

## APLINKOS APSAUGA



Elektrinių įrenginių negalima išmesti kartu su nerūšiuotomis buitinėmis atliekomis: juos reikia pristatyti į atitinkamus surinkimo punktus.

Informaciją apie galimas surinkimo sistemas galite gauti iš vietos valdžios įstaigos.

Jei elektriniai įrenginiai išmetami į užkasamuosius arba atviruosius sąvartynus, kenksmingos medžiagos gali prisiskinti iki gruntinio vandens, patekti į mitybos grandinę ir pakenkti jūsų sveikatai bei gerovei.

## TRIKČIŲ ŠALINIMAS

PROBLEMA	PRIEŽASTIS	SPRENDIMAS
Nepavyksta įjungti vejąpjovės ar savosios eigos funkcijos.	<ul style="list-style-type: none"> <li>■ Sudėtinė baterija visiškai išsikrovusi.</li> </ul>	<ul style="list-style-type: none"> <li>■ Įkraukite sudėtinę bateriją.</li> </ul>
	<ul style="list-style-type: none"> <li>■ Sudėtinė baterija netinkamai įstatyta į baterijų skyrių.</li> </ul>	<ul style="list-style-type: none"> <li>■ Stumkite sudėtinę bateriją į baterijos skyrių, kol išgirsite spragtelėjimą.</li> </ul>
	<ul style="list-style-type: none"> <li>■ Rankena neužfiksuota darbinėje padėtyje ir mirksi žalias vejąpjovės būsenos indikatorius.</li> </ul>	<ul style="list-style-type: none"> <li>■ Sustabdykite vejąpjovę ir patikrinkite, ar rankena užfiksuota vienoje iš darbinių padėčių.</li> </ul>
	<ul style="list-style-type: none"> <li>■ Vejąpjovės pjovimo platformą užkimšo žolė ir šiukšlės.</li> </ul>	<ul style="list-style-type: none"> <li>■ Išvalykite vejąpjovės pjovimo platformą ir patikrinkite, ar peilių rinkinys gali laisvai sukis.</li> </ul>
Vejąpjovė pjauna nelygiai.	<ul style="list-style-type: none"> <li>■ Atšipęs peilių rinkinys.</li> </ul>	<ul style="list-style-type: none"> <li>■ Pagaląškite arba pakeiskite peilių rinkinį.</li> </ul>
	<ul style="list-style-type: none"> <li>■ Netinkamai nustatytas žolės pjovimo aukštis.</li> </ul>	<ul style="list-style-type: none"> <li>■ Pakelkite pjovimo platformą į didesnę aukštį.</li> </ul>
	<ul style="list-style-type: none"> <li>■ Peilių rinkinys sumontuotas neteisingai.</li> </ul>	<ul style="list-style-type: none"> <li>■ Iš naujo pritvirtinkite peilių rinkinį, vadovaudamiesi nurodymais šio vadovo skyriuje „PEILIŲ RINKINIO KEITIMAS“.</li> </ul>
	<ul style="list-style-type: none"> <li>■ Netinkamai nustatytas peilių greičio režimas.</li> </ul>	<ul style="list-style-type: none"> <li>■ Pasirinkite tinkamą peilių greičio režimą.</li> </ul>
Vejąpjovė netinkamai mulčiuoja.	<ul style="list-style-type: none"> <li>■ Nupjauta šlapią žolę prikimba pjovimo platformos apačioje.</li> </ul>	<ul style="list-style-type: none"> <li>■ Prieš pjudami veją palaukite, kol žolė išdžius.</li> </ul>
	<ul style="list-style-type: none"> <li>■ Vejąpjovė nustatyta iš karto pjauti per daug žolės.</li> </ul>	<ul style="list-style-type: none"> <li>■ Pakelkite pjovimo platformą, nustatydami didesnę pjovimo aukštį.</li> </ul>
	<ul style="list-style-type: none"> <li>■ Netinkamai nustatytas peilių greičio režimas.</li> </ul>	<ul style="list-style-type: none"> <li>■ Pasirinkite mažesnę peilių sukimosi greitį.</li> </ul>

**LT**

PROBLEMA	PRIEŽASTIS	SPRENDIMAS
Pjovimo metu vejapjovė netikėtai sustoja.	<ul style="list-style-type: none"> <li>■ Sudėtinė baterija visiškai išsikrovusi.</li> </ul>	<ul style="list-style-type: none"> <li>■ Įkraukite sudėtinę bateriją.</li> </ul>
	<ul style="list-style-type: none"> <li>■ Vejapjovė pernelyg apkrauta ir mirksi oranžinis vejapjovės būsenos indikatorius.</li> </ul>	<ul style="list-style-type: none"> <li>■ Patikrinkite, ar pjovimo platformos neužkimšo žolė, ir, jei reikia, išvalykite. Padidinkite pjovimo aukštį arba lėčiau pjaukite veją.</li> </ul>
	<ul style="list-style-type: none"> <li>■ Žolė ir šiukšlės užkimšo vejapjovės pjovimo platformą.</li> </ul>	<ul style="list-style-type: none"> <li>■ Pašalinkite vejapjovės pjovimo platformoje susidariusį kamštį. Padidinkite pjovimo aukštį ir (ar) pjaukite siauresnę žolės juostą.</li> </ul>
	<ul style="list-style-type: none"> <li>■ Sudėtinė baterija ar vejapjovės elektroninės grandinės pernelyg įkaitusios. Jei perkaitusi sudėtinė baterija, vejapjovės būsenos indikatorius užgęsta. Jei perkaitusi vejapjovė, vejapjovės būsenos indikatorius šviečia oranžine spalva.</li> </ul>	<ul style="list-style-type: none"> <li>■ Palaukite, kol sudėtinė baterija ar vejapjovė atvės.</li> </ul>
	<ul style="list-style-type: none"> <li>■ Netinkamai nustatytas peilių greičio režimas.</li> </ul>	<ul style="list-style-type: none"> <li>■ Pasirinkite mažesnę peilių sukimosi greitį.</li> </ul>
	<ul style="list-style-type: none"> <li>■ Vejapjovės elektronikos klaida ir vejapjovės būsenos indikatorius pakaitomis mirksi raudona ir žalia spalva.</li> </ul>	<ul style="list-style-type: none"> <li>■ Kreipkitės į EGO techninės priežiūros centrą.</li> </ul>
Pernelyg didelė vibracija.	<ul style="list-style-type: none"> <li>■ Atsilaisvinęs pjovimo peilių rinkinys.</li> </ul>	<ul style="list-style-type: none"> <li>■ Priveržkite peilių varžtą.</li> </ul>
	<ul style="list-style-type: none"> <li>■ Nesubalansuotas pjovimo peilių rinkinys.</li> </ul>	<ul style="list-style-type: none"> <li>■ Kreipkitės į EGO techninės priežiūros centrą.</li> </ul>
	<ul style="list-style-type: none"> <li>■ Sulinkę pjovimo peiliai.</li> </ul>	<ul style="list-style-type: none"> <li>■ Pakeiskite peilių rinkinį.</li> </ul>
	<ul style="list-style-type: none"> <li>■ Įlenktas variklio velenas.</li> </ul>	<ul style="list-style-type: none"> <li>■ Kreipkitės į EGO techninės priežiūros centrą.</li> </ul>
	<ul style="list-style-type: none"> <li>■ Vejapjovė nustatyta iš karto pjauti per daug žolės.</li> </ul>	<ul style="list-style-type: none"> <li>■ Pakelkite pjovimo platformą, nustatydami didesnę pjovimo aukštį.</li> </ul>
	<ul style="list-style-type: none"> <li>■ Netinkamai nustatytas peilių greičio režimas.</li> </ul>	<ul style="list-style-type: none"> <li>■ Nustatykite mažesnę peilių sukimosi greitį.</li> </ul>
Variklis veikia, tačiau peilių rinkinys žolės nepjauna.	<ul style="list-style-type: none"> <li>■ Peilių rinkinio varžtas nepriveržtas reikiamu sukimo momentu.</li> </ul>	<ul style="list-style-type: none"> <li>■ Priveržkite peilių rinkinį. Rekomenduojama peilių varžto priveržimo jėga yra 50 – 60 Nm.</li> </ul>
Sunku perkelti pjovimo režimo pasirinkimo rankenėlę iš vienos padėties į kitą.	<ul style="list-style-type: none"> <li>■ Ant stumdomųjų durielių susikaupė per daug nupjautos žolės.</li> </ul>	<ul style="list-style-type: none"> <li>■ Kiekvieną kartą po naudojimo nuvalykite žolės nuopjovas nuo platformos dugno.</li> </ul>

LT

## GARANTIJA

### EGO GARANTIJOS TAISYKLĖS

Norėdami sužinoti visas EGO garantijos sąlygas ir nuostatas, apsilankykite interneto svetainėje adresu [egopowerplus.eu](http://egopowerplus.eu).

# 192

BELAIĐĖ VEJAPJOVĖ SU 56 VOLTŲ LIČIO JONŲ BATERIJA — LM2230E-SP



## IZLASIET VISAS INSTRUKCIJAS!

**Paredzētā lietošana:** Izstrādājums ir paredzēts manuālai zāliena pļaušanai:

- Izmantojiet tikai sausas zāles pļaušanai. Nepļaujiet slapju zāli.
- Nelietojiet mērķiem, kam tas nav paredzēts.

**▲ BRĪDINĀJUMS:** Pirms šīs mašīnas lietošanas izlasiet un izprotiet visus šajā lietotāja rokasgrāmatā iekļautos drošības norādījumus, tostarp visus drošības brīdinājuma apzīmējumus, piemēram, „**BĪSTAMI**”, „**BRĪDINĀJUMS**” un „**UZMANĪBU**”. Visu turpmāk uzskaitīto norādījumu neievērošana var izraisīt elektriskās strāvas triecienu, aizdegšanos un/vai smagus miesas bojājumus.

## DROŠĪBAS APZĪMĒJUMI



Drošības brīdinājums

Št izstrādājuma darbināšanas laikā vienmēr valkājiet dzirdes aizsarglīdzekļus, aizsargbrilles vai aizsargbrilles ar sānu aizsargiem un pilnu sejas aizsargmasku.



Uzmanieties no atsviestiem priekšmetiem – neļaujiet tuvoties nepiederošām personām.



Turiet rokas atstātus



Garantētais skaņas intensitātes līmenis.



Šis izstrādājums atbilst piemērojamiem Apvienotās Karalistes tiesību aktiem.

IPX4 Aizsardzība pret ūdens šļakatām

mm Milimetrs

— Līdzstrāva



Lai mazinātu traumu rašanās bīstamību, pirms šī izstrādājuma lietošanas tā lietotājam jāizlasa un jāizprot lietotāja rokasgrāmata.



Pirms regulēšanas vai tīrīšanas darbu veikšanas akumulatoru bloks (vai izslēgšanas ietaise) ir jāizslēdz un jāizņem.



Neturiet plaukstas un pēdas asmeņu tuvumā



Neskatieties tieši darba lampā.



Šis izstrādājums atbilst piemērojāmām EK direktīvām.



Elektrisko izstrādājumu atkritumus nedrīkst izmest kopā ar sadzīves atkritumiem. Nogādāt uz pilnvarotu pārstrādes punktu.


V Volts

cm Centimetrs

kg Kilograms

LV

## SPECIFIKĀCIJAS

Spriegums	56 V 	
Asmens ātruma izvēles režīms	2	
	1	
	ECO	
Pļaušanas augstuma pozīcijas	8	
Pļaušanas augstuma iestatišana	25 mm/33 mm/43 mm/ 54 mm/66 mm/79 mm/ 92 mm/105 mm	
Pļaušanas platums	55 cm	
Zāles savācējmaisa tilpums	85 L	
Zāles pļāvēja svars (ar zāles savācējmaisu un akumulatoru BA6720T)	37 kg	
Asmeņu komplekta modelis	AB2212D-E	
Ieteicamā darba temperatūra	0 °C - 40 °C	
Ieteicamā uzglabāšanas temperatūra	-20 °C - 70 °C	
Izmērītais skaņas intensitātes līmenis $L_{WA}$	95 dB(A) K=0,7 dB(A)	
Trokšņa spiediena līmenis pie lietotāja auss $L_{PA}$	83 dB(A) K=3 dB(A)	
Garantētais skaņas intensitātes līmenis $L_{WA}$ (mērīts saskaņā ar 2000/14/EK)	96 dB(A)	
Vibrācijas ietekmes novērtējums $a_v$ :	Kreisais rokturis	1,35 m/s <sup>2</sup> K=1,5 m/s <sup>2</sup>
	Labais rokturis	1,35 m/s <sup>2</sup> K=1,5 m/s <sup>2</sup>

- Deklarētās vibrāciju emisijas kopējās vērtības ir izmērītas saskaņā ar standarta pārbaudes metodi, un vērtības var izmantot vienas mašīnas salīdzināšanai ar citu.
- Deklarēto vibrāciju emisijas vērtību var arī lietot iepriekšējai vibrāciju iedarbības novērtēšanai.

**⚠ BRĪDINĀJUMS!** Vibrāciju emisijas faktiskajā mašīnas lietošanas laikā var atšķirties no deklarētās vērtības. Lai pasargātu operatoru, lietotājam jāvalkā cimdi un dzirdes aizsarglīdzekļi atbilstoši faktiskajiem darba apstākļiem.

**⚠ BRĪDINĀJUMS!** Jānosaka drošības pasākumi operatora aizsardzībai, kuru pamatā ir iedarbības novērtējums faktiskajos lietošanas apstākļos (ņemot vērā visas darbības cikla daļas, piemēram, laikus, kad instruments ir izslēgts un kad tas darbojas tukšgaitā papildus aktivizēšanas slēdža nospiešanas laikam).

## Iepakošanas saturas saraksts (A1 un A2 attēls)

DAĻAS NOSAUKUMS	SKAITS
Zāles pļāvējs	1
Zāles savācējmaiss	1
Zāles savācējmaisa rāmis	1
Lietotāja rokasgrāmata	1

## APRAKSTS

### PĀRZINIET SAVU ZĀLES PĻĀVĒJU (A1 un A2 attēls)

1. Rokturis
2. Roktura sānu pagarinājums
3. Roktura fiksēšanas skava
4. Aizmugures izlādes durvis
5. Pacelšanas rokturis
6. Akumulatora nodalījuma vāciņš
7. LED priekšējās gaismas
8. Pļaušanas režīma izvēles poga
9. Priekšējais ritenis
10. Pļaušanas augstuma regulēšanas poga
11. Pļaušanas bloks
12. Gaisa iepūtde
13. Aizmugurējais ritenis
14. Ātrās regulēšanas svira
15. Zāles savācējmaiss
16. Piekabināms aizsargs
17. Asmens rotācijas pārslēgšanas slēdzis
18. Pašgājēja sprūda slēdzis

LV

19. Pašgājēja funkcijas ātruma regulēšanas poga
20. Asmens ātruma izvēles režīma poga
21. Barošanas poga
22. LED priekšējo gaismu poga
23. LED priekšējo gaismu ikona
24. LED priekšējo gaismu indikators
25. Zāles plāvēja statusa indikators
26. Asmens ikona
27. Asmens rotācijas ātruma režīma indikators
28. Zāles plāvēja statusa ikona

## MONTĀŽA

**▲ BRĪDINĀJUMS:** Ja kāda daļa ir bojāta vai trūkst, nedarbiniet šo izstrādājumu, kamēr nav nomainīta bojātā daļa. Darbinot šo izstrādājumu ar bojātām vai trūkstošām daļām, varat gūt smagus miesas bojājumus.

**▲ BRĪDINĀJUMS:** Lai nepieļautu nejašu mašīnas ieslēgšanos, kas var radīt smagus miesas bojājumus, to saliekot, vienmēr izņemiet no tās akumulatoru bloku.

**▲ BRĪDINĀJUMS:** Nemēģiniet pārveidot šo mašīnu vai izveidot piederumus, kas nav ieteicami lietošanai kopā ar šo zāles plāvēju. Jebkādi šādi uzlabojumi vai pārveidojumi uzskatāmi par neatbilstošu lietošanu un var radīt bīstamus apstākļus, kas var izraisīt miesas bojājumus.

### IZPAKOŠANA

- Izņemiet no kartona kastes visus piederumus.
- Vienlaikus satveriet zāles plāvēja priekšējo daļu un pacelšanas rokturi, lai uzmanīgi paceltu zāles plāvēju uz augšu un izceltu no kastes.

### SALOKĀMĀ ROKTURA REGULĒŠANA

**▲ BRĪDINĀJUMS:** Nemēģiniet iedarbināt zāles plāvēju, kamēr rokturis nav bloķēts vienā no trim iepriekš iestatītajām darbības pozīcijām: AUGŠĒJĀ DARBĪBAS POZĪCIJĀ, VIDĒJĀ DARBĪBAS POZĪCIJĀ un APAKŠĒJĀ DARBĪBAS POZĪCIJĀ.

1. Lai atbloķētu rokturi no BLOĶĒTA ROKTURA STĀVOKĻA, turiet nospiestu ātro regulēšanas sviru (B1 attēls).

B1-1	Ātrās regulēšanas svira
------	-------------------------

2. Paceliet rokturi uz augšu, pēc tam atlaidiet sviru. Viegli paceliet rokturi uz augšu, līdz dzirdat un jūtat, ka fiksatora tapa ir fiksējusies kādā no šādām pozīcijām, kuras parādītas B2 attēlā.

B2-1	Bloķēta roktura stāvoklis	B2-2	Zāles savācējmaisa piestiprināšanas/ noņemšanas pozīcija
B2-3	Augšējā darbības pozīcija	B2-4	Vidējā darbības pozīcija
B2-5	Apakšējā darbības pozīcija		

3. Izvelciet līdz galam roktura sānu pagarinājumus un vēlreiz nofiksējiet roktura fiksēšanas skavu (B3 attēls).

**PIEZĪME:** Motoru nevar iedarbināt, ja:

- Līdz galam nav izvilkti roktura sānu pagarinājumi.
- Nav droši nostiprināta zaļā roktura fiksēšanas skava.
- Rokturis ir bloķēts vienā no trim darbības pozīcijām.

### ZĀLES SAVĀCĒJMAISA UZSTĀDĪŠANA (C1, C2, C3 attēls)

Pirms zāles savācējmaisa uzstādīšanas pārbaudiet to, lai pārliecinātos, ka tas nav bojāts.

Uzstādiet zāles savācējmaisu tā, kā tas parādīts attēlā.

### PLĀUŠANAS REŽĪMA IZVĒLES POGA (D attēls)

Lai sasniegtu vēlamo plāušanas rezultātu, iestatiet plāušanas režīma izvēles pogu jebkurā no piecām pozīcijām.

Ar pogu var regulēt bīdāmās durvis no pilnībā atvērtas pozīcijas „SAVĀCĒJMAISS” („BAG”) līdz pilnībā aizvērtai pozīcijai „MULČA” („MULCH”).

Noregulējot plāušanas režīma izvēles pogu, var veikt plāušānu atbilstoši dažādām vajadzībām.

**Lai mainītu pogas pozīciju,** izvelciet pogu no fiksatora un iestatiet to vēlamajā pozīcijā.

**PIEZĪME:** Ja, virzot plāušanas režīma izvēles pogu no vienas puses uz otru, tiek novērota liela pretestība, iespējams, uz bīdāmajām durvīm ir sakrājis pārmērīgs zāles daudzums. Pēc katras lietošanas reizes notīriet zāli zem zāles plāvēja plāušanas bloka.

D-1	Bīdāmās durvis	D-2	Pozīcija „MULČA” („MULCH”)
D-3	Plāušanas režīma izvēles poga	D-4	Pozīcija „SAVĀCĒJMAISS” („BAG”)

## BĪDĀMO DURVJU POZĪCIJA

Bīdāmo durvju pozīciju var mainīt, lai iegūtu dažādus pļaušanas rezultātus. Lai uzzinātu atšķirību starp pozīcijām, uzstādiēt zāles savācējmaisu un sāciet pļaušanu, kad pļaušanas režīma izvēles poga iestatīta pozīcijā „SAVĀCĒJMAISS” („BAG”). Pārbaudiet zāliena izskatu. Kad pogu iestata pozīcijā „MULČA” („MULCH”), zālienā tiek izkaisīts lielāks noņļautās zāles daudzums turpmākai pārstrādei. Noregulējiet pļaušanas režīma izvēles pogu, līdz tiek sasniegts vēlamais rezultāts. Zāles savākšanas/mulčēšanas hibrīdrežīms nodrošina tīru un smalku pļaušanu.

- Kad pļaušanas režīma izvēles poga iestatīta pozīcijā „SAVĀCĒJMAISS” („BAG”), bīdāmās durvis ir pilnībā atvērtas, ļaujot visai noņļautajai zālei iekļūt savācējmaissā (E1 attēls).
- Kad pļaušanas režīma izvēles poga iestatīta zāles savākšanas/mulčēšanas hibrīda pozīcijās, bīdāmās durvis ir daļēji aizvērtas. Daļa noņļautās zāles nonāks savācējmaissā, bet daļa tiks smalki samulčēta un izkaisīta uz zemes (E2 attēls).
- Kad pļaušanas režīma izvēles poga iestatīta pozīcijā „MULČA” („MULCH”), bīdāmās durvis ir pilnībā aizvērtas. Visa noņļautā zāle tiks smalki samulčēta un izkaisīta uz zemes (E3 attēls).

## ZĀLES IZMEŠANA SĀNOS

### Sānu izmetēja (iegādājams atsevišķi) piestiprināšana/noņemšana

**PIEZĪME:** Pirms sānu izmetēja lietošanas pārļiecinieties, ka pļaušanas bloka apakšējā daļa ir tīra.

- Izņemiet zāles savācējmaisu un iestatiet pļaušanas režīma izvēles pogu pozīcijā „SAVĀCĒJMAISS” („BAG”).
- Uzstādiēt sānu izmetēju zāles pļāvējam tā, kā tas ir parādīts F attēlā.

## PILNĪGA ZĀLES SAVĀKŠANA SAVĀCĒJMAISSĀ

### Zāles savācējmaisa piestiprināšana/noņemšana

**▲ BRĪDINĀJUMS:** Normālos lietošanas apstākļos zāles savācējmaisa materiāls nodilst. Lai samazinātu traumu gūšanas risku, regulāri pārbaudiet, kādā stāvoklī ir savācējmaiss, un nomainiet, ja radušās nodiluma vai nolietojuma pazīmes. Izmantojiet tikai šim zāles pļāvējam paredzētu zāles savācējmaisu.

**PIEZĪME:** Pirms zāles savācējmaisa lietošanas pārļiecinieties, ka pļaušanas bloka apakšējā daļa ir tīra.

- Noņemiet sānu izmetēju un iestatiet pļaušanas režīma izvēles pogu pozīcijā „SAVĀCĒJMAISS” („BAG”).
- Uzstādiēt zāles savācējmaisu zāles pļāvējam tā, kā tas ir parādīts G attēlā.

## PILNĪGA MULČĒŠANA (H attēls)

- Izņemiet zāles savācējmaisu.
- Nolaidiet uz leju aizmugures izlādes durvis.
- Iestatiet pļaušanas režīma izvēles pogu pozīcijā „MULČA” („MULCH”).

## ZĀLES SAVĀKŠANAS/MULČĒŠANAS HIBRĪDS (J attēls)

- Pievienojiet zāles savācējmaisu.
- Iestatiet pļaušanas režīma izvēles pogu vienā no trim zāles savākšanas/mulčēšanas hibrīda pozīcijām.

**PIEZĪME:** Kad pļaušanas režīma izvēles pogu iestata pozīcijā „MULČA” („MULCH”), zālienā tiek izkaisīts lielāks noņļautās zāles daudzums turpmākai pārstrādei.

Kad pļaušanas režīma izvēles pogu iestata pozīcijā „SAVĀCĒJMAISS” („BAG”), lielāks noņļautās zāles daudzums tiek izvadīts caur aizmugures izlādi uz zāles savācējmaisu.

## PĻAUŠANAS AUGSTUMA REGULĒŠANA (K attēls)

Pļaušanas augstuma regulēšanas laikā kājām jāatrodas drošā attālumā no pļaušanas bloka.

Zāles pļāvējam var iestatīt 8 pļaušanas augstumus - no 25 mm līdz 105 mm. Marķējums norāda izvēlēto pļaušanas augstumu.

Izvēļieties pļaujams zāles veidam un apstākļiem atbilstošu pļaušanas augstumu.

1. Izslēdziet zāles pļāvēju un pagaidiet, līdz griezējamsens pilnībā apstājas.
2. Izņemiet akumulatoru bloku.
3. Izvēļiet pļaušanas augstuma regulēšanas sviru no fiksatora un iestatiet vēlamajā pozīcijā.

**PIEZĪME:** Lai izvairītos no motora pārslodzes, gara zāliena pļaušanas augstumu nedrīkst iestatīt pārāk zemu. Ja motora ātrums sāk palēnināties, palieliniet pļaušanas augstumu.

## EKSPLUATĀCIJA

Vienmēr izņemiet akumulatoru no izstrādājuma, kad montējat daļas, labojat, tīrāt vai tad, kad izstrādājums netiek lietots. Akumulatora izņemšana ļaus izvairīties no nejaušas iedarbināšanas, kas var izraisīt nopietnus savainojumus.

## AKUMULATORU BLOKA IEVIETOŠANA/ IZŅĒMŠANA (L attēls)

Izmantojiet kopā tikai ar A3 attēlā norādītajiem EGO akumulatoru blokiem un lādētājiem.

Sīkāku informāciju izlasiet attiecīgā akumulatoru bloka un lādētāju rokasgrāmatā.

### Pirms pirmās lietošanas reizes uzlādējiet akumulatoru pilnībā

1. Paceliet akumulatora nodalījuma vāciņu aiz vāciņa priekšpusēs.
2. **Lai pievienotu**, salāgojiet akumulatora izciļņus ar stiprinājuma rievām un iespiediet akumulatoru bloku, līdz ir dzirdama „klikšķa” skaņa.
3. **Lai izņemtu**, nospiediet akumulatora atbrīvošanas pogu un izņemiet akumulatoru bloku.
4. Aizveriet akumulatora nodalījuma vāku.

**PIEZĪME:** Pirms darba sākšanas pārliecinieties, vai ir nofiksējies zāles plāvēja slēgmehānisms un akumulatoru bloks.

### ASMENS ĀTRUMA REŽĪMA IZVĒLE (M attēls)

- **2. režīms** ir augsta asmens ātruma režīms, kas nodrošina augstu veiktspēju ar lielāku iesūkšanas spēku un plaušanas veiktspēju.
- **1. režīms** nodrošina vislabāko līdzsvaru starp veiktspēju un darbības laiku.
- **ECO režīms** nodrošina viszemāko trokšņa līmeni un visilgāko akumulatoru bloka darbības laiku.

**PIEZĪME:** Darbības laikā asmens ātrumu nevar regulēt. Izmaiņas tiks veiktas tikai pēc motora apturēšanas un atkārtotas iedarbināšanas.

Izvēlieties **2. režīmu**, **1. režīmu** vai **ECO režīmu**, secīgi nospiežot asmens ātruma režīma izvēles pogu.

**PIEZĪME:** Noklusējuma asmens ātruma izvēles režīms ir **1. režīms**.

M-1	Asmens rotācijas ātruma indikators	M-2	Asmens ātruma izvēles režīma poga
-----	------------------------------------	-----	-----------------------------------

### ZĀLES PLĀVĒJA IEDARBINĀŠANA/APTURĒŠANA

Izstrādājumu var lietot lietus laikā.

**BRĪDINĀJUMS:** Jebkura zāles plāvēja darbība var izraisīt svešķermeņu iespiešanu acīs jums vai kādam citam, kas var radīt nopietnus acu bojājumus. Strādājot ar zāles plāvēju vai veicot jebkādas regulēšanas vai remonta darbus, vienmēr valkājiet aizsargbrilles.

**PIEZĪME:** Pēc zāles plāvēja izslēgšanas asmens turpinās rotēt vēl dažas sekundes. Pirms vēlreiz iedarbināt zāles plāvēju, pagaidiet, kamēr apstājas motors/asmens. Neizslēdziet un neieslēdziet zāles plāvēju pārāk ātri.

**BRĪDINĀJUMS:** Apturiet asmeni, ja zāles plāvējs ir jāsasver transportēšanai, šķērsojot citas virsmas, kur nav zāles, un transportējot zāles plāvēju uz plaujamo teritoriju vai no tās.

**BRĪDINĀJUMS:** Nesasveriet zāles plāvēju tā iedarbināšanas un motora ieslēgšanas laikā, izņemot gadījumus, ja zāles plāvējs ir jāsasver, lai iedarbinātu. Šādā gadījumā nesasveriet zāles plāvēju vairāk, nekā tas ir absolūti nepieciešams, un paceliet tikai to daļu, kas atrodas tālāk no operatora.

Pirms lietošanas vienmēr apskatiet, vai asmens un asmens bultskrūve nav nodilusi vai bojāta. Nomainiet nodilušo vai bojāto asmeni un bultskrūvi vienlaicīgi, lai saglabātu daļu līdzsvaru.

### Pārbaudiet, vai nav nosprostojies griezējasmens

- Lai novērstu nosprostojumu rašanos, uzturiet griezējasmēni un zāles plāvēja bloku tīrus. Pirms un pēc katras lietošanas reizes iztīriet noļauto zāli, lapas, neļīrumus un citus uzkrātos gružus.
- Nosprostojuma gadījumā apturiet zāles plāvēju un izņemiet akumulatoru bloku, pēc tam iztīriet visu zāli un lapas, kas sakrājušās uz piedziņas vārpstas, motora ventilatora vai ap to. Noslaukiet zāles plāvēju ar mitru lupatiņu.

**UZMANĪBU:** Nemēģiniet mainīt barošanas pogas un asmens rotācijas pārslēgšanas slēdža darbību.

**PIEZĪME:** Motoru nevar iedarbināt, ja rokturis nav nobloķēts kādā no trim darbības stāvokļiem.

### Zāles plāvēja iedarbināšana (N1 un N2 attēls)

1. Ievietojiet akumulatoru bloku zāles plāvējā un aizveriet akumulatora nodalījuma vāciņu.
2. Nospiediet barošanas pogu, lai izgaismotos informācijas panelis, un iedegsies zāles plāvēja statusa indikators - **1. režīma** asmens rotācijas ātruma indikators.
3. Nospiediet asmens ātruma izvēles režīma pogu, lai izvēlētos vēlamo ātrumu.
4. Nospiediet un turiet barošanas pogu.
5. Nospiežot barošanas pogu, pavelciet asmens rotācijas pārslēgšanas slēdzi līdz rokturim un atlaidiet barošanas pogu.

## Zāles plāvēja apturēšana (N3 attēls)

1. Pilnībā atlaidiet asmens rotācijas pārslēgšanas slēdzi.
2. Elektriskā bremze automātiskajā bremžu mehānismā apstādina asmens griešanos 3 sekunžu laikā pēc asmens rotācijas pārslēgšanas slēdža atlaišanas.

## PAŠGĀJĒJA SISTĒMA AR MAINĀMU DARBĪBAS ĀTRUMU (P attēls)

Zāles plāvējs ir aprīkots ar pašgājēja sistēmu, kurai ir maināms darbības ātrums. Šī pašgājēja sistēma darbojas neatkarīgi no asmens rotācijas.

### Pašgājēja sistēmas darbināšana bez asmens rotācijas

1. Nospiediet barošanas pogu, lai izgaismotu informācijas paneli.

2. Nedaudz pagrieziet pašgājēja funkcijas ātruma regulēšanas pogu uz priekšu, līdz atskan klikšķis, pēc tam nospiediet pašgājēja sprūda slēdzi (slēdžus). Ir divi pašgājēja sprūda slēdži, nospiediet vienu no tiem, lai iedarbinātu pašgājēja funkciju.

Lai izslēgtu pašgājēja sistēmu, atlaidiet pašgājēja sprūda slēdzi.

P-1	Pašgājēja funkcijas ātruma regulēšanas poga	P-2	Pašgājēja sprūda slēdzis
-----	---	-----	--------------------------


## LED PRIEKŠĒJĀS GAISMAS (Q attēls)

Lai ieslēgtu priekšējās gaismas, nospiediet LED priekšējo gaismu pogu. Priekšējās gaismas zāles plāvēja priekšpusē spīd spilgtā gaismā.

Lai izslēgtu priekšējās gaismas, vēlreiz nospiediet pogu.

## ZĀLES PLĀVĒJA STATUSA INDIKATORI (A2 attēls)

Zāles plāvēja statusa indikators informācijas panelī parāda zāles plāvēja darbības stāvokli.

	Deg nepartraukta zaļā gaisma	Zāles plāvējs darbojas pareizi.	Nav nepieciešams.
	Mirgo zaļā gaisma	Līdz galam nav izvilkti sānu pagarinājumi.	Apturiet zāles plāvēju un pārļiecinieties, vai sānu pagarinājumi ir pilnībā izvilkti uz āru.
		Rokturis nav nobloķēts darbības stāvoklī.	Apturiet zāles plāvēju un pārļiecinieties, vai rokturis ir nobloķēts vienā no trim darbības stāvokļiem.
	Mirgo sarkanā gaisma	Zāles akumulatora uzlādes līmenis.	Apturiet zāles plāvēju un izņemiet akumulatoru bloku.
	Deg nepartraukta oranžā gaisma	Pārkarsis zāles plāvējs.	Atlaidiet drošības slēdzi, pagaidiet, līdz zāles plāvēja temperatūra nokrītas zem 80 °C. Skatīt zemāk sadaļu „AIZSARDZĪBA PRET ZĀLES PLĀVĒJA PĀRKARŠANU”.

Indikators	Apraksts	Nozīme	Rīcība
	Mirgo oranžā gaisma	Zāles pļāvēja pārslodze.	<ol style="list-style-type: none"> <li>1. Izņemiet akumulatoru bloku, pēc tam pārbaudiet, vai zem pļaušanas bloka nav sakrājušies zāle. Vajadzības gadījumā iztīriet.</li> <li>2. Pļaušanas laikā ejiet lēnāk.</li> <li>3. Paceliet pļaušanas augstumu.</li> <li>4. Ja iepriekš minētie risinājumi nedarbojas, sazinieties ar EGO klientu apkalpošanas nodaļu.</li> </ol> <p>Skatīt zemāk sadaļu „ZĀLES PĻĀVĒJA PĀRSLODZES AIZSARDZĪBA”.</p>
	Pārmaiņus mirgo zaļā un sarkanā gaisma	Zāles pļāvējam radusies elektronikas kļūda.	Sazinieties ar EGO klientu apkalpošanas nodaļu.

## AIZSARDZĪBA PRET ZĀLES PĻĀVĒJA PĀRKARŠANU

Ja darbības laikā zāles pļāvēja temperatūra pārsniedz 90 °C, pārkaršanas aizsardzības ķēde nekavējoties izslēdz zāles pļāvēju, lai pasargātu no pārkaršanas radītiem bojājumiem.

Zāles pļāvēja statusa indikators nepārtraukti degs oranžā krāsā. Atļaidiet asmens rotācijas pārslēgšanas slēdzi un pagaidiet, līdz pārkaršais zāles pļāvējs atdziest un statusa indikators iedegas zaļā krāsā, pēc tam vēlreiz iedarbiniet zāles pļāvēju.

## ZĀLES PĻĀVĒJA PĀRSLODZES AIZSARDZĪBA

Lai novērstu pārslodzi, centieties nepļaut pārāk daudz zāles ar vienu piegājieni. Ejiet lēnāk vai paceliet pļaušanas augstumu.

Zāles pļāvējam ir iebūvēta pārslodzes ķēdes aizsardzības sistēma. Ja zāles pļāvēja darbībā tiek konstatēta pārslodze, motors apstāsies, un zāles pļāvēja statusa indikators informācijas panelī sāks mirgot oranžā krāsā.

## APKOPE

**⚠ BRĪDINĀJUMS:** Lai izvairītos no nopietnu traumu gūšanas, vienmēr izslēdziet zāles pļāvēju pirms tā tīrīšanas un apkopes darbu veikšanas vai transportēšanas un izņemiet akumulatoru bloku, pārliecinoties, ka visas kustīgās daļas ir pilnībā apstājušās.

**⚠ BRĪDINĀJUMS!** Vienmēr veiciet regulāru iekārtas apkopi.

**⚠ BRĪDINĀJUMS:** Apturiet mašīnu un izņemiet akumulatoru bloku, lai pārliecinātos, ka visas kustīgās daļas ir pilnībā apstājušās pēc trieciena ar svešķermeni, un pārbaudītu, vai mašīna nav bojāta, un veiktu remontdarbus pirms mašīnas atkārtotas iedarbināšanas un ekspluatācijas.

**⚠ BRĪDINĀJUMS:** Ja mašīna sāk neparasti vibrēt, apturiet to un izņemiet akumulatoru bloku, lai pārliecinātos, ka visas kustīgās daļas ir pilnībā apstājušās, un pēc tam nekavējoties pārbaudiet, vai tai nav radušies bojājumi, nomainiet vai salabojiet visas bojātās daļas, kā arī pārbaudiet un pieskrūvējiet visas atskrūvējušās daļas.

**⚠ BRĪDINĀJUMS:** Veicot apkopi, izmantojiet tikai identiskas rezerves daļas. Jebkuru citu daļu izmantošana var radīt apdraudējumu vai izstrādājuma bojājumus. Lai garantētu drošu un uzticamu izstrādājuma darbību, visi remontdarbi jāveic kvalificētam servisa speciālistam.

## ZĀLES PĻĀVĒJA TĪRĪŠANA

Zāles pļāvēja pļaušanas bloka apakšdaļa ir jānotīra pēc katras lietošanas reizes, jo zem tās uzkrājas zāles atgriezumai, lapas, dubļi un citi netīrumi.

Iztīriet sakrājušos zāli un lapas no piedziņas vārpstas vai ap to un no motora ventilatora. Noslaukiet zāles pļāvēju ar mitru lupatiņu.

## ASMEŅU KOMPLEKTA NOMAIŅA

(R1, R2, R3 attēls)

**⚠ BRĪDINĀJUMS:** Vienmēr pirms nomaiņas izņemiet akumulatoru bloku un zāles savācējmaisu.

**⚠ BRĪDINĀJUMS:** Vienmēr valkājiet aizsargcimdus.

**PIEZĪME:** Pirms asmeņu uzstādīšanas rūpīgi notīriet vietu ap piedziņas vārpstu un mašīnas apakšējo daļu.

1. Apgrīziet zāles plāvēju otrādi.
2. Noņemiet/uzstādiet asmeņu komplektu ar griezes momenta atslēgu un diviem metāla stieņiem kā palīgīdzelkli, kā tas parādīts attēlā.
3. Apdrukātajai asmens pusei jāatrodas virzienā uz ārpusi.

## ZĀLES PLĀVĒJA UZGLABĀŠANA

(S1 un S2 attēls)

- Izņemiet akumulatoru bloku no zāles plāvēja un uzglabājiet to vēsā, sausā un tīrā vietā. Neuzglabājiet blakus kodīgām vielām, piemēram, mēslojumam vai akmeņšālim.
- Pirms uzglabāšanas iztukšojiet zāles savācējmaisu.
- Pirms glabāšanas vienmēr ļaujiet zāles plāvējam atdzist.
- Pirms uzglabāšanas notīriet un veiciet apkopi.
- Uzglabājiet zāles plāvēju slēgtā, vēsā, sausā un bērniem nepieejamā vietā.
- Neapklājiet zāles plāvēju ar cietu plastmasas pārklāju. Plastmasas pārklāji aizturēs mitrumu uz zāles plāvēja, kas izraisīs rūšēšanu un koroziju.
- Zāles plāvēju var uzglabāt horizontālā vai vertikālā stāvoklī (S1 un S2 attēls).

**⚠ BRĪDINĀJUMS:** Ja zāles plāvējs apgāžas no vertikālā stāvokļa, tas var sabojāties vai arī izraisīt miesas bojājumus. Vienmēr uzglabājiet zāles plāvēju stabilā un bērniem nepieejamā vietā, ja tas atrodas vertikālā stāvoklī. Ja iespējams, uzglabājiet to horizontālā stāvoklī.

## APKĀRTĒJĀS VIDES AIZSARDZĪBA



Neatbrīvojieties no elektriskajām ierīcēm kopā ar nešķīrotajiem sadzīves atkritumiem, nogādājiet tās uz atsevišķiem savākšanas punktiem.

Sazinieties ar vietējo pašvaldības iestādi, lai iegūtu informāciju par pieejamām savākšanas sistēmām.

Ja elektroierīces tiek izmestas atkritumu poligonos vai izgāztuvēs, gruntsūdenī var iekļūt bīstamas vielas, piesārņojot barības ķēdi, kaitējot veselībai un labklājībai.



## PROBLĒMU NOVĒRŠANA

PROBLĒMA	CĒLONIS	RISINĀJUMS
Zāles plāvēja vai pašgājēja funkciju neizdodas iedarbināt.	<ul style="list-style-type: none"> <li>■ Akumulatoru bloks ir izlādējies.</li> </ul>	<ul style="list-style-type: none"> <li>■ Uzlādējiet akumulatoru bloku.</li> </ul>
	<ul style="list-style-type: none"> <li>■ Akumulatoru bloks nav pareizi ievietots akumulatora nodalījumā.</li> </ul>	<ul style="list-style-type: none"> <li>■ Ievietojiet akumulatoru bloku akumulatora nodalījumā, to piespiežot, līdz izdzirdat „klikšķa” skaņu.</li> </ul>
	<ul style="list-style-type: none"> <li>■ Rokturis nav bloķēts darbības stāvoklī, un zāles plāvēja statusa indikators mirgo zaļā krāsā.</li> </ul>	<ul style="list-style-type: none"> <li>■ Apturiet zāles plāvēju un pārliecinieties, vai rokturis ir nobloķēts kādā no darbības stāvokļiem.</li> </ul>
	<ul style="list-style-type: none"> <li>■ Pļaušanas bloks ir aizsērējis ar zāli un gružiem.</li> </ul>	<ul style="list-style-type: none"> <li>■ Notīriet zāles plāvēja pļaušanas bloku un pārliecinieties, ka asmeņi var brīvi kustēties.</li> </ul>
Zāles plāvējs nepļauj nevienmērīgi.	<ul style="list-style-type: none"> <li>■ Asmeņi kļuvuši neasi.</li> </ul>	<ul style="list-style-type: none"> <li>■ Uzasiniet vai nomainiet asmeņus.</li> </ul>
	<ul style="list-style-type: none"> <li>■ Nav pareizi iestatīts zāles pļaušanas augstums.</li> </ul>	<ul style="list-style-type: none"> <li>■ Paceliet pļaušanas augstumu augstāk.</li> </ul>
	<ul style="list-style-type: none"> <li>■ Asmeņi ir nepareizi uzstādīti.</li> </ul>	<ul style="list-style-type: none"> <li>■ Uzstādiet atpakaļ asmeņus, kā tas ir norādīts šīs rokasgrāmatas sadaļā „<b>ASMEŅU KOMPLEKTA NOMAIŅA</b>”.</li> </ul>
	<ul style="list-style-type: none"> <li>■ Nav pareizi iestatīts asmens ātruma izvēles režīms.</li> </ul>	<ul style="list-style-type: none"> <li>■ Izvēlieties piemērotu asmens ātruma izvēles režīmu.</li> </ul>
Zāles plāvējs nemulčē pareizi.	<ul style="list-style-type: none"> <li>■ Slapjā nopļautā zāle līp klāt zem pļaušanas bloka.</li> </ul>	<ul style="list-style-type: none"> <li>■ Pagaidiet, kamēr nožūst zāle, un tikai tad sāciet pļaut.</li> </ul>
	<ul style="list-style-type: none"> <li>■ Zāles plāvējs ir iestatīts tā, lai tas ar vienu piegājieni nopļautu daudz zāles.</li> </ul>	<ul style="list-style-type: none"> <li>■ Paceliet pļaušanas bloku augstākā pļaušanas augstumā.</li> </ul>
	<ul style="list-style-type: none"> <li>■ Nav pareizi iestatīts asmens ātruma izvēles režīms.</li> </ul>	<ul style="list-style-type: none"> <li>■ Izvēlieties mazāku asmens rotācijas ātrumu.</li> </ul>

PROBLĒMA	CĒLONIS	RISINĀJUMS
Pļaušanas laikā zāles pļāvējs negaidīti apstājas.	<ul style="list-style-type: none"> <li>■ Akumulatoru bloks ir izlādējies.</li> </ul>	<ul style="list-style-type: none"> <li>■ Uzlādējiet akumulatoru bloku.</li> </ul>
	<ul style="list-style-type: none"> <li>■ Zāles pļāvējs ir pārslogots, un zāles pļāvēja statusa indikators mirgo oranžā krāsā.</li> </ul>	<ul style="list-style-type: none"> <li>■ Pārbaudiet, vai zem pļaušanas bloka nav sakrājušies zāle, un, ja nepieciešams, iztīriet to. Paceliet uz augšu pļaušanas augstumu vai samaziniet pļaušanas ātrumu.</li> </ul>
	<ul style="list-style-type: none"> <li>■ Pļaušanas bloks ir aizsērējis ar zāli un gružiem.</li> </ul>	<ul style="list-style-type: none"> <li>■ Iztīriet pļaušanas bloku. Paceliet uz augšu pļaušanas augstumu un/vai pļaujiet šaurās strēlēs.</li> </ul>
	<ul style="list-style-type: none"> <li>■ Akumulatoru bloks vai zāles pļāvēja ķēde ir pārāk karsta. Ja akumulatoru bloks pārkarst, zāles pļāvēja statusa indikatora gaisma nodziest. Ja zāles pļāvējs pārkarst, zāles pļāvēja statusa indikators deg oranžā krāsā.</li> </ul>	<ul style="list-style-type: none"> <li>■ Ļaujiet akumulatoru blokam vai zāles pļāvējam atdzist.</li> </ul>
	<ul style="list-style-type: none"> <li>■ Nav pareizi iestatīts asmens ātruma izvēles režīms.</li> </ul>	<ul style="list-style-type: none"> <li>■ Izvēlieties mazāku asmens rotācijas ātrumu.</li> </ul>
	<ul style="list-style-type: none"> <li>■ Zāles pļāvēja elektronikas kļūdas un zāles pļāvēja statusa indikators pārmaiņus mirgo sarkanā/zaļā krāsā.</li> </ul>	<ul style="list-style-type: none"> <li>■ Sazinieties ar EGO apkalpošanas centru.</li> </ul>
Pārāk liela vibrācija.	<ul style="list-style-type: none"> <li>■ Pārāk vaļīgi griezējasmēņi.</li> </ul>	<ul style="list-style-type: none"> <li>■ Pievelciet asmens buļskrūvi.</li> </ul>
	<ul style="list-style-type: none"> <li>■ Nav sabalansēts griezējasmēņu iestatījums.</li> </ul>	<ul style="list-style-type: none"> <li>■ Sazinieties ar EGO apkalpošanas centru.</li> </ul>
	<ul style="list-style-type: none"> <li>■ Salielts griezējasmens.</li> </ul>	<ul style="list-style-type: none"> <li>■ Nomainiet asmeni.</li> </ul>
	<ul style="list-style-type: none"> <li>■ Saliecta motora vārpsta.</li> </ul>	<ul style="list-style-type: none"> <li>■ Sazinieties ar EGO apkalpošanas centru.</li> </ul>
	<ul style="list-style-type: none"> <li>■ Zāles pļāvējs ir iestatīts tā, lai tas ar vienu piegājieni nopļautu daudz zāles.</li> </ul>	<ul style="list-style-type: none"> <li>■ Paceliet pļaušanas bloku augstākā pļaušanas augstumā.</li> </ul>
<ul style="list-style-type: none"> <li>■ Nav pareizi iestatīts asmens ātruma izvēles režīms.</li> </ul>	<ul style="list-style-type: none"> <li>■ Izvēlieties mazāku asmens rotācijas ātrumu.</li> </ul>	
Motors darbojas, bet asmeņi negriež zāli.	<ul style="list-style-type: none"> <li>■ Asmeņu skrūve nav pievilka līdz vajadzīgajam griezes momentam.</li> </ul>	<ul style="list-style-type: none"> <li>■ Vēlreiz pieskrūvējiet asmeņu skrūvi. Ieteicamais griezes moments asmens skrūves pievilkšanai ir 50 - 60 Nm.</li> </ul>
Grūti virzīt pļaušanas režīma izvēles pogu no vienas puses uz otru.	<ul style="list-style-type: none"> <li>■ Uz bīdāmajām durvīm ir sakrājies pārmerīgs nopļautās zāles daudzums.</li> </ul>	<ul style="list-style-type: none"> <li>■ Pēc katras zāles pļāvēja durvju izmantošanas notīriet zāli no tā pļaušanas bloka.</li> </ul>

**LV**

## GARANTĪJA

### EGO GARANTĪJAS POLITIKA

Lūdzam apmeklēt tīmekļa vietni [egopowerplus.eu](http://egopowerplus.eu), kur pieejama pilna EGO garantijas politikas noteikumu un nosacījumu versija.

# 202

56 VOLTU LITĪJA JONU BEZVADU ZĀLES PĻĀVĒJS — LM2230E-SP

## ΔΙΑΒΑΣΤΕ ΟΛΕΣ ΤΙΣ ΟΔΗΓΙΕΣ!

**Προβλεπόμενη χρήση:** Το προϊόν προορίζεται για χειροκίνητο κούρεμα του γκαζόν:

- Χρησιμοποιείτε το μόνο για το κούρεμα ξερού γρασιδιού. Μην κουρεύετε βρεγμένο γρασίδι.
- Μην το χρησιμοποιείτε για οποιονδήποτε άλλο σκοπό.

**⚠️ ΠΡΟΕΙΔΟΠΟΙΗΣΗ:** Βεβαιωθείτε ότι έχετε διαβάσει και κατανοήσει όλες τις οδηγίες ασφάλειας στο παρόν εγχειρίδιο χρήσης, συμπεριλαμβανομένων όλων των συμβόλων ασφάλειας, όπως «**ΚΙΝΔΥΝΟΣ**», «**ΠΡΟΕΙΔΟΠΟΙΗΣΗ**» και «**ΠΡΟΣΟΧΗ**», προτού να χρησιμοποιήσετε αυτό το μηχάνημα. Η μη τήρηση όλων των παρακάτω οδηγιών μπορεί να οδηγήσει σε ηλεκτροπληξία, πυρκαγιά και/ή σοβαρό τραυματισμό.

## ΣΥΜΒΟΛΑ ΑΣΦΑΛΕΙΑΣ



Προειδοποίηση ασφαλείας



Φοράτε πάντοτε ωτοπροστασία, προστατευτικά γυαλιά ή γυαλιά ασφαλείας με πλευρική προστασία και πλήρη προστατευτική προσωπίδα κατά τη χρήση αυτού του προϊόντος.



Προσοχή σε αντικείμενα που πετάγονται - κρατήστε τους παρευρισκόμενους μακριά.



Διατηρείτε τα χέρια σας μακριά



Εγγυημένη στάθμη ακουστικής ισχύος.



Αυτό το προϊόν συμμορφώνεται με την εφαρμοστέα νομοθεσία του Ηνωμένου Βασιλείου.

IPX4

Προστασία από εκτοξευμένο νερό

mm

Χιλιοστό



Συνεχές ρεύμα



Προκειμένου να μειωθεί ο κίνδυνος τραυματισμού, ο χρήστης πρέπει να διαβάσει και να κατανοήσει το εγχειρίδιο χρήσης προτού να χρησιμοποιήσει αυτό το προϊόν.



Απενεργοποιήστε και απομακρύνετε την αποσπώμενη συστοιχία μπαταριών (ή τη συσκευή απενεργοποίησης) πριν από ρυθμίσεις ή καθαρισμό.



Διατηρείτε πάντοτε τα χέρια και τα πόδια μακριά από τις λεπίδες



Μην κοιτάτε απευθείας μέσα στη λάμπα λειτουργίας.



Αυτό το προϊόν συμμορφώνεται με τις εφαρμοστέες οδηγίες της ΕΚ.



Τα απόβλητα ειδών ηλεκτρικού και ηλεκτρονικού εξοπλισμού δεν πρέπει να απορρίπτονται στα οικιακά απορρίμματα. Παραδώστε τα σε εξουσιοδοτημένη μονάδα ανακύκλωσης.

V

Βολτ

cm


Εκατοστό

kg

Κιλό

GR

## ΤΕΧΝΙΚΕΣ ΠΡΟΔΙΑΓΡΑΦΕΣ

Τάση	56 V 	
Λειτουργία ταχύτητας λεπίδας	2	
	1	
	ECO	
Θέσεις ύψους κοπής	8	
Ρύθμιση ύψους κοπής	25 mm/33 mm/43 mm/ 54 mm/66 mm/79 mm/ 92 mm/105 mm	
Πλάτος κοπής	55 cm	
Χωρητικότητα σάκου συλλογής γρασιδιού	85 L	
Βάρος χλοοκοπτικής μηχανής (με σάκο συλλογής γρασιδιού και μπαταρία BA6720T)	37 kg	
Μοντέλο σετ λεπίδων	AB2212D-E	
Συνιστώμενη θερμοκρασία λειτουργίας	0 °C - 40 °C	
Συνιστώμενη θερμοκρασία αποθήκευσης	-20 °C - 70 °C	
Μετρημένη στάθμη ηχητικής ισχύος $L_{WA}$	95 dB(A) K=0,7 dB(A)	
Στάθμη ηχητικής πίεσης στη θέση χειριστή $L_{PA}$	83 dB(A) K=3 dB(A)	
Εγγυημένη στάθμη ηχητικής ισχύος $L_{WA}$ (μετρημένη σύμφωνα με το 2000/14/EC)	96 dB(A)	
Αξιολόγηση δονήσεων $a_n$ :	Αριστερή χειρολαβή	1,35 m/s <sup>2</sup> K=1,5 m/s <sup>2</sup>
	Δεξιά χειρολαβή	1,35 m/s <sup>2</sup> K=1,5 m/s <sup>2</sup>

- Η δηλωθείσα συνολική τιμή κραδασμών έχει μετρηθεί σύμφωνα με πρότυπη μέθοδο δοκιμής και μπορεί να χρησιμοποιηθεί για τη σύγκριση ενός μηχανήματος με άλλο.
- Η δηλωθείσα συνολική τιμή κραδασμών μπορεί να χρησιμοποιηθεί, επίσης, σε προκαταρκτική αξιολόγηση έκθεσης.

**⚠ ΠΡΟΕΙΔΟΠΟΙΗΣΗ:** Η μετάδοση της δόνησης κατά τη διάρκεια της πραγματικής χρήσης του μηχανήματος μπορεί να διαφέρει από τη δηλωθείσα τιμή, στην οποία χρησιμοποιείται το μηχάνημα. Για την προστασία του χειριστή, υπό πραγματικές συνθήκες χρήσης πρέπει να χρησιμοποιούνται γάντια και ωτοασπίδες.

**⚠ ΠΡΟΕΙΔΟΠΟΙΗΣΗ:** Ο χειριστής οφείλει να λαμβάνει μέτρα ασφαλείας για την προστασία του, τα οποία να βασίζονται σε μια εκτίμηση της έκθεσης υπό πραγματικές συνθήκες χρήσης (λαμβάνοντας υπόψη όλα τα μέρη του κύκλου λειτουργίας, όπως, τους χρόνους κατά τους οποίους το ηλεκτρικό εργαλείο είναι απενεργοποιημένο και αδρανές, καθώς και τον χρόνο λειτουργίας).

## ΚΑΤΑΛΟΓΟΣ ΕΞΑΡΤΗΜΑΤΩΝ ΣΥΣΚΕΥΑΣΙΑΣ (ΕΙΚ. Α1 ΚΑΙ Α2)

ΟΝΟΜΑ ΕΞΑΡΤΗΜΑΤΟΣ	ΠΟΣΟΤΗΤΑ
Χλοοκοπτική μηχανή	1
Σάκος συλλογής γρασιδιού	1
Πλαίσιο σάκου συλλογής γρασιδιού	1
Εγχειρίδιο χρήσης	1

## ΠΕΡΙΓΡΑΦΗ

**ΓΝΩΡΙΣΤΕ ΤΗΝ ΧΛΟΟΚΟΠΤΙΚΗ ΣΑΣ ΜΗΧΑΝΗ  
(Εικ. Α1 και Α2)**

1. Λαβή
2. Πλευρική ράγα
3. Βραχίονας ασφάλισης χειρολαβής
4. Πίσω Θύρα απόρριψης
5. Λαβή ανύψωσης
6. Κάλυμμα θήκης μπαταριών
7. Προβολείς LED
8. Ρυθμιστικό επιλογής κοπής
9. Μπροστινός τροχός
10. Κουμπί ρύθμισης ύψους κοπής
11. Πλαίσιο κοπής
12. Είσοδος αέρα
13. Πίσω τροχός
14. Μοχλός γρήγορης ρύθμισης
15. Σάκος συλλογής γρασιδιού

GR

16. Πίσω προστατευτικό
17. Σκανδάλη περιστροφής λεπίδας
18. Σκανδάλη αυτοκίνησης
19. Επιλογέας ταχύτητας αυτοκίνησης
20. Κουμπί λειτουργίας ταχύτητας λεπίδας
21. Κουμπί λειτουργίας
22. Κουμπί προβολέων LED
23. Εικονίδιο προβολέων LED
24. Ένδειξη προβολέων LED
25. Ένδειξη κατάστασης χλοοκοπτικής μηχανής
26. Εικονίδιο λεπίδας
27. Ένδειξη λειτουργίας ταχύτητας λεπίδας
28. Εικονίδιο κατάστασης χλοοκοπτικής μηχανής

## ΣΥΝΑΡΜΟΛΟΓΗΣΗ

**⚠️ ΠΡΟΕΙΔΟΠΟΙΗΣΗ:** Σε περίπτωση που κάποια από τα εξαρτήματα έχουν υποστεί ζημιά ή λείπουν, μη χρησιμοποιήσετε το προϊόν, μέχρι να αντικατασταθούν. Η χρήση αυτού του προϊόντος με φθαρμένα ή ελλιπή εξαρτήματα μπορεί να έχει ως αποτέλεσμα σοβαρό τραυματισμό.

**⚠️ ΠΡΟΕΙΔΟΠΟΙΗΣΗ:** Για να εμποδίσετε τυχαία εκκίνηση που θα μπορούσε να προκαλέσει σοβαρό τραυματισμό, απομακρύνετε πάντα τη συστοιχία μπαταριών από το μηχάνημα όταν συναρμολογείτε εξαρτήματα.

**⚠️ ΠΡΟΕΙΔΟΠΟΙΗΣΗ:** Μην επιχειρήσετε να τροποποιήσετε αυτό το μηχάνημα ή να δημιουργήσετε εξαρτήματα που δεν συνιστώνται για χρήση με αυτή τη χλοοκοπτική μηχανή. Οιαδήποτε μετατροπή ή αλλαγή αποτελεί εσφαλμένη χρήση και μπορεί να οδηγήσει σε επικίνδυνη κατάσταση με αποτέλεσμα σοβαρό τραυματισμό.

### ΑΠΟΣΥΣΚΕΥΑΣΙΑ

- Αφαιρέστε όλα τα αξεσουάρ από το χαρτοκιβώτιο.
- Πιάστε ταυτόχρονα το μπροστινό μέρος της χλοοκοπτικής μηχανής και τη λαβή ανύψωσης, και σηκώστε προσεκτικά τη χλοοκοπτική μηχανή επάνω και έξω από το χαρτοκιβώτιο.

### ΡΥΘΜΙΣΗ ΤΗΣ ΠΤΥΣΣΟΜΕΝΗΣ ΧΕΙΡΟΛΑΒΗΣ

**⚠️ ΠΡΟΕΙΔΟΠΟΙΗΣΗ:** Μην επιχειρήσετε να θέσετε σε λειτουργία τη χλοοκοπτική μηχανή, αν η λαβή δεν έχει κλειδώσει σε μία από τις τρεις διαθέσιμες θέσεις λειτουργίας: ΠΑΝΩ ΘΕΣΗ ΛΕΙΤΟΥΡΓΙΑΣ, ΜΕΣΑΙΑ ΘΕΣΗ ΛΕΙΤΟΥΡΓΙΑΣ και ΚΑΤΩ ΘΕΣΗ ΛΕΙΤΟΥΡΓΙΑΣ.

1. Πατήστε και κρατήστε πατημένο το μοχλό γρήγορης ρύθμισης για να αποδεσμεύσετε τη χειρολαβή από τη ΘΕΣΗ ΑΣΦΑΛΙΣΗΣ ΓΙΑ ΑΠΟΘΗΚΕΥΣΗ (Εικ. Β1).

B1-1	Μοχλός γρήγορης ρύθμισης
------	--------------------------

2. Σηκώστε τη χειρολαβή από τη διπλωμένη της θέση και, στη συνέχεια, αποδεσμεύστε το μοχλό. Περιστρέψτε ήπια τη χειρολαβή προς τα επάνω, μέχρι να ακούσετε και να αισθανθείτε ότι ο πύρος ασφάλισης έχει κλειδώσει σε μια από τις παρακάτω διαφορετικές θέσεις, όπως εικονίζεται στην Εικ. Β2.

B2-1	Θέση ασφάλισης για αποθήκευση	B2-2	Θέση προάρθρωσης/αφαίρεσης σάκου γρασιδιού
B2-3	Επάνω θέση λειτουργίας	B2-4	Μεσαία θέση λειτουργίας
B2-5	Κάτω θέση λειτουργίας		

3. Εκτείνετε πλήρως τις πλευρικές ράγες και κλείστε τον σφικτήρα ασφάλισης της χειρολαβής (Εικ. Β3).

**ΣΗΜΕΙΩΣΗ:** Ο κινητήρας δεν μπορεί να τεθεί σε λειτουργία εκτός εάν:

- Οι πλευρικές ράγες έχουν εκταθεί πλήρως.
- Ο πράσινος σφικτήρας ασφάλισης χειρολαβής είναι κλειστός και ασφαλισμένος.
- Η λαβή είναι κλειδωμένη σε μια από τις τρεις θέσεις λειτουργίας.

### ΣΥΝΑΡΜΟΛΟΓΗΣΗ ΤΟΥ ΣΑΚΟΥ ΣΥΛΛΟΓΗΣ ΓΡΑΣΙΔΙΟΥ (Εικ. C1, C2, C3)

Ελέγξτε το σάκο συλλογής γρασιδιού πριν τη συναρμολόγηση ώστε να εξασφαλίσετε ότι δεν υπάρχουν ζημιές.

Συναρμολογήστε τον σάκο συλλογής γρασιδιού όπως απεικονίζεται.

### ΡΥΘΜΙΣΤΙΚΟ ΕΠΙΛΟΓΗΣ ΚΟΠΗΣ (Εικ. D)

Τοποθετήστε το ρυθμιστικό επιλογής κοπής σε οποιαδήποτε από τις πέντε θέσεις, για να επιτύχετε τα επιθυμητά αποτελέσματα κούρεματος.

Το συρόμενο πορτάκι ρυθμίζεται από την πλήρως ανοικτή θέση BAG [ΣΑΚΟΣ] έως την πλήρως κλειστή θέση MULCH [ΕΔΑΦΟΚΑΛΥΨΗ].

Το ρυθμιστικό επιλογής κοπής προσφέρει διαφορετικούς τύπους κοπής.

Για να επανατοποθετήσετε το κουμπί, τραβήξτε το ρυθμιστικό έξω από την εγκοπή και ρυθμίστε το στην επιθυμητή θέση.

**ΕΙΔΟΠΟΙΗΣΗ:** Εάν παρατηρήσετε μεγάλη αντίσταση κατά την κίνηση του ρυθμιστικού επιλογής κοπής από τη μία πλευρά στην άλλη, ενδέχεται να οφείλεται στη συσσώρευση υπερβολικού γρασιδιού στο πάνω μέρος της συρόμενης πόρτας. Να καθαρίζετε το γρασίδι κάτω από το κατάρτημα του χλοοκοπτικού μετά από κάθε χρήση.

D-1	Συρόμενο πορτάκι	D-2	Θέση MULCH [ΕΔΑΦΟΚΑΛΥΨΗ]
D-3	Ρυθμιστικό επιλογής κοπής	D-4	Θέση BAG [ΣΑΚΟΣ]

## ΘΕΣΗ ΣΥΡΟΜΕΝΗΣ ΠΟΡΤΑΣ

Το συρόμενο πορτάκι μπορεί να τοποθετηθεί ανάλογα με το επιθυμητό αποτέλεσμα κοπής. Για να μάθετε τη διαφορά μεταξύ των θέσεων, τοποθετήστε έναν σάκο χόρτου και ξεκινήστε το κούρεμα με το ρυθμιστικό επιλογής κοπής στη θέση BAG [ΣΑΚΟΣ]. Ελέγξτε την εμφάνιση του γκαζόν. Όσο περισσότερο το ρυθμιστικό μετακινείται προς τη θέση MULCH [ΕΔΑΦΟΚΑΛΥΨΗ], τόσο μεγαλύτερη ποσότητα κομμένου χορταριού θα πέφτει πίσω στο γκαζόν, για εδαφοκάλυψη. Μετακινήστε το ρυθμιστικό επιλογής κοπής, μέχρι να πετύχετε το αποτέλεσμα που θέλετε. Η θέση συνδυασμού συλλογής/εδαφοκάλυψης θα έχει ως αποτέλεσμα μια καθαρή και λεπτή κοπή.

- Όταν το ρυθμιστικό επιλογής κοπής στη θέση BAG [ΣΑΚΟΣ], το συρόμενο πορτάκι είναι εντελώς ανοιχτό, επιτρέποντας σε όλα τα κομμένα χόρτα να πέφτουν στη σακούλα (Εικ. E1).
- Όταν το ρυθμιστικό επιλογής κοπής βρίσκεται στις θέσεις συνδυασμού συλλογής/εδαφοκάλυψης, το συρόμενο πορτάκι είναι μερικώς κλειστό. Ένα μέρος από το κομμένο γρασίδι πέφτει στη σακούλα και το υπόλοιπο φιλοκόβεται και σκορπίζεται στο έδαφος (Εικ. E2).
- Όταν το ρυθμιστικό επιλογής κοπής είναι στη θέση MULCH [ΕΔΑΦΟΚΑΛΥΨΗ], το συρόμενο πορτάκι είναι εντελώς κλειστό. Όλο το κομμένο γρασίδι φιλοκόβεται και σκορπίζεται στο έδαφος (Εικ. E3).

## ΠΛΕΥΡΙΚΗ ΕΞΑΓΩΓΗ

**Προσάρτηση/Αφαίρεση της χοάνης πλευρικής εξαγωγής (πωλείται ξεχωριστά)**

**ΕΙΔΟΠΟΙΗΣΗ:** Βεβαιωθείτε ότι η κάτω πλευρά του πλαισίου κοπής είναι καθαρή, πριν χρησιμοποιήσετε τη χοάνη πλευρικής εξαγωγής.

- Αφαιρέστε τον σάκο και τοποθετήστε το ρυθμιστικό επιλογής κοπής στη θέση BAG [ΣΑΚΟΣ].
- Τοποθετήστε την χοάνη πλευρικής εξαγωγής μέσα στο χλοοκοπτικό όπως φαίνεται στην Εικ. F.

## ΠΛΗΡΗΣ ΣΥΛΛΟΓΗ

**Προσάρτηση/αφαίρεση του σάκου συλλογής γρασιδιού**

**⚠ ΠΡΟΕΙΔΟΠΟΙΗΣΗ:** Το υλικό του σάκου συλλογής γρασιδιού υπόκειται στη φθορά της φυσιολογικής χρήσης. Για να μειώσετε τον κίνδυνο τραυματισμού, να ελέγχετε τακτικά τον σάκο συλλογής και να τον αντικαθιστάτε, εάν βλέπετε ίχνη φθοράς ή αλλοιώσεων. Χρησιμοποιείτε μόνο σάκους γρασιδιού που έχουν κατασκευαστεί για τη συγκεκριμένη χλοοκοπτική μηχανή.

**ΕΙΔΟΠΟΙΗΣΗ:** Βεβαιωθείτε ότι η κάτω πλευρά του πλαισίου κοπής είναι καθαρή πριν να χρησιμοποιήσετε τον σάκο συλλογής χόρτου.

- Αφαιρέστε τη χοάνη πλευρικής εξαγωγής και τοποθετήστε το ρυθμιστικό επιλογής κοπής στη θέση BAG [ΣΑΚΟΣ].
- Τοποθετήστε το σάκο συλλογής γρασιδιού μέσα στη χλοοκοπτική μηχανή όπως φαίνεται στην Εικ. G.

## ΠΛΗΡΗΣ ΕΔΑΦΟΚΑΛΥΨΗ (Εικ. H)

- Αφαιρέστε το σάκο χόρτου.
- Απελευθερώστε την πίσω θύρα εξαγωγής.
- Τοποθετήστε το ρυθμιστικό επιλογής κοπής στη θέση MULCH [ΕΔΑΦΟΚΑΛΥΨΗ].

## ΘΕΣΗ ΣΥΝΔΥΑΣΜΟΥ ΣΥΛΛΟΓΗΣ/ΕΔΑΦΟΚΑΛΥΨΗΣ (Εικ. J)

- Συνδέστε το σάκο συλλογής.
- Τοποθετήστε το ρυθμιστικό επιλογής κοπής σε μία από τις τρεις θέσεις συνδυασμού συλλογής/εδαφοκάλυψης.

**ΣΗΜΕΙΩΣΗ:** Όσο περισσότερο το ρυθμιστικό επιλογής κοπής μετακινείται προς τη θέση MULCH [ΕΔΑΦΟΚΑΛΥΨΗ], τόσο μεγαλύτερη ποσότητα κομμένου χορταριού θα πέφτει πίσω στο γκαζόν, για εδαφοκάλυψη.

Όσο περισσότερο το ρυθμιστικό επιλογής κοπής μετακινείται προς τη θέση BAG [ΣΑΚΟΣ], τόσο μεγαλύτερη ποσότητα χορταριού θα πέφτει από την πίσω χοάνη στη σακούλα χόρτου.

## ΡΥΘΜΙΣΗ ΎΦΟΥΣ ΚΟΠΗΣ (Εικ. Κ)

Διατηρείτε τα πόδια σας μακριά από το πλαίσιο κοπής όταν ρυθμίζετε το ύψος της.

Η χλοοκοπτική μηχανή μπορεί να ρυθμιστεί σε 8 ύψη κοπής, μεταξύ 25 mm και 105 mm. Μια σήμανση υποδεικνύει το επιλεγμένο ύψος κοπής.

Επιλέξτε το σωστό ύψος κοπής ανάλογα με το είδος και τις συνθήκες του γρασιδιού που πρέπει να κοπεί.

1. Απενεργοποιήστε τη χλοοκοπτική μηχανή και περιμένετε να σταματήσει εντελώς η λεπίδα κοπής.
2. Αφαιρέστε τη συστοιχία μπαταριών.
3. Τραβήξτε το μοχλό ρύθμισης του ύψους κοπής έξω από την εγκοπή και τοποθετήστε τον στην επιθυμητή θέση.

**ΣΗΜΕΙΩΣΗ:** Για να αποτραπεί η υπερφόρτωση του μοτέρ, αποφύγετε να ρυθμίζετε το ύψος κοπής πολύ χαμηλά σε ψηλό γρασίδι. Εάν η ταχύτητα του μοτέρ αρχίσει να επιβραδύνεται, αυξήστε το ύψος κοπής.

## ΛΕΙΤΟΥΡΓΙΑ

Αφαιρείτε πάντα τη συστοιχία μπαταριών από το προϊόν, όταν τοποθετείτε εξαρτήματα, κάνετε ρυθμίσεις, διεξάγετε καθαρισμό ή όταν δεν χρησιμοποιείτε το εργαλείο. Η απομάκρυνση της συστοιχίας μπαταριών εμποδίζει τυχαιά εκκίνηση που θα μπορούσε να επιφέρει σοβαρό ατομικό τραυματισμό.

## ΤΟΠΟΘΕΤΗΣΗ/ΑΦΑΙΡΕΣΗ ΤΗΣ ΣΥΣΤΟΙΧΙΑΣ ΜΠΑΤΑΡΙΩΝ (Εικ. Λ)

Πρέπει να χρησιμοποιούνται μόνο οι συστοιχίες μπαταριών και οι φορτιστές της EGO που αναφέρονται στην Εικ. Α3.

Ανατρέξτε στα αντίστοιχα εγχειρίδια των συστοιχιών μπαταριών και των φορτιστών για περισσότερες λεπτομέρειες.

### Φορτίστε πλήρως πριν από την πρώτη χρήση

1. Ανεβάστε το κάλυμμα της θήκης μπαταριών, ανασηκώνοντας το μπροστινό μέρος του καλύμματος.
2. Για να τοποθετήσετε την μπαταρία, ευθυγραμμίστε τα ανασηκωμένα περυσία της συστοιχίας μπαταριών με τις υποδοχές τοποθέτησης και πιέστε τη συστοιχία μπαταριών προς τα κάτω, μέχρι να ακούσετε ένα «κλικ».
3. Για να την αφαιρέσετε, πατήστε το κουμπί αποδέσμευσης μπαταριών και τραβήξτε τη συστοιχία μπαταριών προς τα έξω.
4. Κλείστε το κάλυμμα της θήκης μπαταριών.

**ΕΙΔΟΠΟΙΗΣΗ:** Βεβαιωθείτε ότι το μάνταλο στη χλοοκοπτική μηχανή κουμπώνει στη θέση του και ότι η συστοιχία μπαταριών ασφαλίζει στη μηχανή, προτού να ξεκινήσετε τη χρήση.

## ΕΠΙΛΟΓΗ ΛΕΙΤΟΥΡΓΙΑΣ ΤΑΧΥΤΗΤΑΣ ΛΕΠΙΔΑΣ (Εικ. Μ)

- Η λειτουργία 2 είναι η λειτουργία υψηλής ταχύτητας λεπίδας για απόδοση υψηλής ανύψωσης για τη βελτίωση της δύναμης αναρρόφησης ή της απόδοσης κοπής.
- Η λειτουργία 1 είναι η καλύτερη ισορροπία μεταξύ απόδοσης και χρόνου λειτουργίας.
- Η λειτουργία ECO παρέχει το χαμηλότερο επίπεδο θορύβου και τον μεγαλύτερο χρόνο λειτουργίας από τις συστοιχίες μπαταριών.

**ΣΗΜΕΙΩΣΗ:** Η ταχύτητα της λεπίδας δεν μπορεί να ρυθμιστεί κατά τη διάρκεια της λειτουργίας. Η αλλαγή θα τεθεί σε ισχύ μόνο μετά τη διακοπή και την εκ νέου εκκίνηση του κινητήρα.

Επιλέξτε τη λειτουργία 2, την 1 ή την ECO, πατώντας διαδοχικά το κουμπί λειτουργίας ταχύτητας λεπίδας.

**ΣΗΜΕΙΩΣΗ:** Η προεπιλεγμένη λειτουργία ταχύτητας λεπίδας είναι η λειτουργία 1.

M-1	Ένδειξη ταχύτητας λεπίδας	M-2	Κουμπί λειτουργίας ταχύτητας λεπίδας
-----	---------------------------	-----	--------------------------------------

## ΕΝΕΡΓΟΠΟΙΗΣΗ/ΑΠΕΝΕΡΓΟΠΟΙΗΣΗ ΤΗΣ ΧΛΟΟΚΟΠΤΙΚΗΣ ΜΗΧΑΝΗΣ

Το προϊόν μπορεί να χρησιμοποιηθεί στη βροχή.

**⚠ ΠΡΟΕΙΔΟΠΟΙΗΣΗ:** Η λειτουργία οποιουδήποτε χλοοκοπτικού μηχανήματος μπορεί να επιφέρει εκτόξευση ξένων αντικειμένων στα δικά σας μάτια ή σε άλλων ανθρώπων, με συνέπεια σοβαρή βλάβη σε αυτά. Φοράτε πάντα γυαλιά ασφαλείας όταν χειρίζεστε τη χλοοκοπτική μηχανή ή όταν διεξάγετε οποιεσδήποτε ρυθμίσεις ή επισκευές σε αυτήν.

**ΕΙΔΟΠΟΙΗΣΗ:** Η λεπίδα συνεχίζει να περιστρέφεται για μερικά δευτερόλεπτα μετά την απενεργοποίηση της χλοοκοπτικής μηχανής. Περιμένετε μέχρι να σταματήσει η περιστροφή του κινητήρα / της λεπίδας, πριν από την επανεκκίνηση. Μην απενεργοποιείτε και ενεργοποιείτε γρήγορα τη χλοοκοπτική μηχανή.

GR

**⚠ ΠΡΟΕΙΔΟΠΟΙΗΣΗ:** Ακινητοποιείτε τη λεπίδα εάν χρειαστεί να γείρετε τη χλοοκοπτική μηχανή για να τη μεταφέρετε, όταν διασχίζετε επιφάνειες χωρίς γρασίδι, και όταν μεταφέρετε τη χλοοκοπτική μηχανή προς και από την περιοχή κουρέματος.

**⚠ ΠΡΟΕΙΔΟΠΟΙΗΣΗ:** Μην κρατάτε τη χλοοκοπτική μηχανή υπό κλίση κατά την ενεργοποίηση του κινητήρα, εκτός εάν αυτή πρέπει να έχει κλίση για την εκκίνηση. Σε αυτήν την περίπτωση, μην τη γέρνετε περισσότερο απ' όσο είναι απολύτως απαραίτητο και αναστηκώστε μόνο το τμήμα που βρίσκεται μακριά από τον χειριστή.

Πριν από τη χρήση, ελέγχετε πάντοτε μήπως η λεπίδα και το μπουλόνι λεπίδας έχουν υποστεί φθορά ή βλάβη. Σε περίπτωση φθαρμένης ή κατεστραμμένης λεπίδας, να αντικαθιστάτε ταυτόχρονα και τις αντίστοιχες βίδες, ώστε να διατηρείται η ισορροπία.

### Ελέγχετε για ενδεχόμενη εμπλοκή της λεπίδας κοπής

- Για να αποφεύγετε εμπλοκές, διατηρείτε τη λεπίδα και το πλαίσιο κοπής της χλοοκοπτικής μηχανής καθαρά. Απομακρύνετε τα υπολείμματα γρασιδιού, τα φύλλα, τη βρωμιά και οποιαδήποτε άλλα συσσωρευμένα υπολείμματα πριν και μετά από κάθε χρήση.
- Σε περίπτωση εμπλοκής, απενεργοποιήστε τη χλοοκοπτική μηχανή και αφαιρέστε την μπαταρία. Στη συνέχεια, αφαιρέστε τυχόν συσσωρευμένο γρασίδι και φύλλα πάνω ή γύρω από τον άξονα μετάδοσης κίνησης και τον ανεμιστήρα του κινητήρα (μην χρησιμοποιήσετε νερό). Σκουπίστε τη χλοοκοπτική μηχανή με νωπό πανί.

**ΠΡΟΣΟΧΗ:** Μην επιχειρήσετε να παρακάμψετε τη λειτουργία του κουμπιού λειτουργίας και της σκανδάλης περιστροφής της λεπίδας.

**ΣΗΜΕΙΩΣΗ:** Ο κινητήρας δεν μπορεί να εκκινήθει παρά μόνο εάν η λαβή είναι ασφαλισμένη σε μία από τις τρεις θέσεις λειτουργίας.

### Για να εκκινήσετε τη χλοοκοπτική μηχανή (Εικ. N1 και N2)

1. Τοποθετήστε τις συστοιχίες μπαταριών στη χλοοκοπτική μηχανή και κλείστε το κάλυμμα της θήκης μπαταριών.
2. Πατήστε το κουμπί λειτουργίας ώστε να ανάψει το ταμπλό και η ένδειξη κατάσταση της χλοοκοπτικής μηχανής. Μαζί πρέπει να ανάψει και η ένδειξη ταχύτητας λεπίδας 1.
3. Πατήστε το κουμπί λειτουργίας ταχύτητας λεπίδας για να επιλέξετε την επιθυμητή ταχύτητα.

4. Πατήστε παρατεταμένα το κουμπί λειτουργίας.
5. Με πατημένο το κουμπί λειτουργίας, πατήστε τη σκανδάλη περιστροφής της λεπίδας, μέχρι να φτάσει στη χειρολαβή και αφήστε το κουμπί λειτουργίας.

### Σταμάτημα της χλοοκοπτικής μηχανής (Εικ. N3)

1. Απελευθερώστε πλήρως τη σκανδάλη περιστροφής της λεπίδας.
2. Το ηλεκτρικό φρένο στον αυτόματο μηχανισμό φρεναρίσματος θα σταματήσει την περιστροφή της λεπίδας εντός 3 δευτερολέπτων από την αποδέσμευση της σκανδάλης περιστροφής λεπίδας.

### ΑΥΤΟΚΙΝΟΥΜΕΝΟ ΣΥΣΤΗΜΑ ΜΕΤΑΒΛΗΤΗΣ ΤΑΧΥΤΗΤΑΣ (Εικ. Ρ)

Η χλοοκοπτική μηχανή είναι εξοπλισμένη με τη δυνατότητα ενός αυτοκινούμενου συστήματος μεταβλητής ταχύτητας. Αυτό το αυτοκινούμενο σύστημα εξαρτάται από την περιστροφή της λεπίδας.

### Για να λειτουργήσει το αυτοκινούμενο σύστημα χωρίς περιστροφή της λεπίδας

1. Πατήστε το κουμπί λειτουργίας για να ανάψει το ταμπλό.
2. Περιστρέψτε ελαφρά τον επιλογέα ταχύτητας αυτοκίνησης προς τα εμπρός μέχρι να ακουστεί ένα κλικ και, στη συνέχεια, πατήστε τη σκανδάλη αυτοκίνησης. Υπάρχουν δύο σκανδάλες αυτοκίνησης, πατήστε κάποιον από αυτούς, για να ξεκινήσετε τη λειτουργία αυτοκίνησης.

**Για να απενεργοποιήσετε το αυτοκινούμενο σύστημα,** αποδεσμεύστε τη σκανδάλη αυτοκίνησης.

P-1	Επιλογέας ταχύτητας αυτοκίνησης	P-2	Σκανδάλη αυτοκίνησης
-----	---------------------------------	-----	----------------------

### ΠΡΟΒΟΛΕΙΣ LED (Εικ. Q)

**Για να ανάψετε τους προβολείς,** πατήστε το κουμπί προβολών LED. Οι προβολείς παρέχουν δυνατό φως στο μπροστινό μέρος της χλοοκοπτικής μηχανής.

**Για να απενεργοποιήσετε τους προβολείς,** πατήστε ξανά το ίδιο κουμπί.



## ΔΕΙΚΤΕΣ ΚΑΤΑΣΤΑΣΗΣ ΤΗΣ ΧΛΟΟΚΟΠΤΙΚΗΣ ΜΗΧΑΝΗΣ (Εικ. Α2)

Η ένδειξη κατάστασης της χλοοκοπτικής μηχανής στο ταμπλό προβάλλει την κατάσταση λειτουργίας της μηχανής.

Ένδειξη	Περιγραφή	Επεξήγηση	Ενέργεια
	Σταθερά πράσινη	Η χλοοκοπτική μηχανή λειτουργεί σωστά.	Δεν απαιτείται κάποια ενέργεια.
	Αναβοσβήνει πράσινη	Οι πλευρικές ράγες δεν έχουν εκταθεί πλήρως.	Διακόψτε τη λειτουργία της χλοοκοπτικής μηχανής και βεβαιωθείτε ότι οι πλευρικές ράγες έχουν εκταθεί πλήρως.
		Η χειρολαβή δεν έχει ασφαλίσει σε κάποια από τις θέσεις λειτουργίας.	Σταματήστε τη λειτουργία της χλοοκοπτικής μηχανής και βεβαιωθείτε ότι η χειρολαβή έχει ασφαλίσει σε κάποια από τις θέσεις λειτουργίας.
	Αναβοσβήνει κόκκινη	Χαμηλή στάθμη φόρτισης της μπαταρίας.	Σταματήστε τη χλοοκοπτική μηχανή και φορτίστε τη συστοιχία μπαταριών.
	Ανάβει σταθερά πορτοκαλί	Η χλοοκοπτική μηχανή έχει υπερθερμανθεί.	Απελευθερώστε το διακόπτη εκκένωσης και περιμένετε μέχρι η θερμοκρασία της χλοοκοπτικής μηχανής να πέσει κάτω από τους 80 °C. Ανατρέξτε στην ενότητα « <b>ΠΡΟΣΤΑΣΙΑ ΤΗΣ ΧΛΟΟΚΟΠΤΙΚΗΣ ΜΗΧΑΝΗΣ ΑΠΟ ΤΗΝ ΥΨΗΛΗ ΘΕΡΜΟΚΡΑΣΙΑ</b> » παρακάτω.
	Αναβοσβήνει πορτοκαλί	Η χλοοκοπτική μηχανή έχει υπερφορτωθεί.	<ol style="list-style-type: none"> <li>Απομακρύνετε τις συστοιχίες μπαταριών, κατόπιν ελέγξτε εάν έχει συσσωρευτεί γρασίδι κάτω από το πλαίσιο κοπής. Καθαρίστε εάν είναι απαραίτητο.</li> <li>Κατά την κοπή επιβραδύνετε τον βηματισμό σας.</li> <li>Αυξήστε το ύψος κοπής.</li> <li>Εάν οι παραπάνω λύσεις δεν έχουν αποτέλεσμα, επικοινωνήστε με το Κέντρο Εξυπηρέτησης EGO.</li> </ol> Ανατρέξτε « <b>ΠΡΟΣΤΑΣΙΑ ΤΗΣ ΧΛΟΟΚΟΠΤΙΚΗΣ ΜΗΧΑΝΗΣ ΑΠΟ ΥΠΕΡΦΟΡΤΩΣΗ</b> » παρακάτω.
	Αναβοσβήνει εναλλάξ κόκκινο/πράσινο	Σφάλμα στα ηλεκτρονικά της χλοοκοπτικής μηχανής.	Επικοινωνήστε με την εξυπηρέτηση πελατών της EGO.

GR

## ΠΡΟΣΤΑΣΙΑ ΤΗΣ ΧΛΟΟΚΟΠΤΙΚΗΣ ΜΗΧΑΝΗΣ ΑΠΟ ΥΨΗΛΗ ΘΕΡΜΟΚΡΑΣΙΑ

Εάν η θερμοκρασία της χλοοκοπτικής μηχανής υπερβεί τους 90 °C κατά τη διάρκεια της λειτουργίας, το κύκλωμα προστασίας από υπερθέρμανση θα απενεργοποιήσει αμέσως τη μηχανή, για προστασία από βλάβες λόγω υπερθέρμανσης.

Η ένδειξη κατάσταση της χλοοκοπτικής μηχανής θα ανάβει σταθερά πορτοκαλί. Απελευθερώστε τη σκανδάλη περιστροφής λεπίδας και περιμένετε μέχρι η υπερθερμασμένη χλοοκοπτική μηχανή να κρυώσει και η ένδειξη κατάσταση να γίνει πράσινη, κατόπιν επανεκκινήστε τη χλοοκοπτική μηχανή.

## ΠΡΟΣΤΑΣΙΑ ΥΠΕΡΦΟΡΤΩΣΗΣ ΤΗΣ ΧΛΟΟΚΟΠΤΙΚΗΣ ΜΗΧΑΝΗΣ

Για να αποτρέψετε συνθήκες υπερφόρτωσης, μην προσταθείτε να απομακρύνετε υπερβολικά πολύ γρασίδι τη φορά. Επιβραδύνετε τον βηματισμό σας ή αυξήστε το ύψος κοπής.

Η χλοοκοπτική μηχανή διαθέτει μια ενσωματωμένη προστασία κυκλώματος από υπερφόρτωση. Όταν η χλοοκοπτική μηχανή υπερφορτωθεί, ο κινητήρας θα σταματήσει και η ένδειξη κατάσταση της μηχανής στο ταμπλό θα αναβοσβήσει πορτοκαλί.

## ΣΥΝΤΗΡΗΣΗ

**⚠ ΠΡΟΕΙΔΟΠΟΙΗΣΗ:** Προς αποφυγή σοβαρού τραυματισμού, πρέπει πάντα να απενεργοποιείτε τη χλοοκοπτική μηχανή, να αφαιρείτε τη συστοιχία μπαταριών και να εξασφαλίζετε ότι τα κινούμενα μέρη έχουν σταματήσει εντελώς, πριν από την πραγματοποίηση οποιωνδήποτε εργασιών καθαρισμού, συντήρησης ή προτού μεταφέρετε το μηχάνημα.

**⚠ ΠΡΟΕΙΔΟΠΟΙΗΣΗ:** Πρέπει πάντα να πραγματοποιούνται οι εργασίες τακτικής συντήρησης του μηχανήματος.

**⚠ ΠΡΟΕΙΔΟΠΟΙΗΣΗ:** Μετά από πρόσκρουση σε ξένο αντικείμενο, απενεργοποιήστε τη μηχανή και αφαιρέστε τη συστοιχία μπαταριών, για να διασφαλίσετε ότι όλα τα κινούμενα μέρη έχουν ακινητοποιηθεί πλήρως και για να ελέγξετε τη μηχανή για ζημιές και να κάνετε επισκευές πριν από την επανεκκίνηση και τη λειτουργία της.

**⚠ ΠΡΟΕΙΔΟΠΟΙΗΣΗ:** Σβήστε τη μηχανή και αφαιρέστε τη συστοιχία μπαταριών για να διασφαλίσετε ότι όλα τα κινούμενα μέρη έχουν ακινητοποιηθεί πλήρως, εάν η μηχανή αρχίσει να δονείται ασυνήθιστα. Αμέσως μετά,

ελέγξτε για τυχόν ζημιές, αντικαταστήστε ή επισκευάστε τυχόν κατεστραμμένα μέρη και ελέγξτε και συσφίξτε τυχόν χαλαρά μέρη.

**⚠ ΠΡΟΕΙΔΟΠΟΙΗΣΗ:** Κατά τη συντήρηση, χρησιμοποιείτε μόνο όμοια ανταλλακτικά. Η χρήση οποιωνδήποτε άλλων εξαρτημάτων μπορεί να προκαλέσει κίνδυνο ή υλικές ζημιές. Προκειμένου να διασφαλιστεί η ασφάλεια και η αξιοπιστία, όλες οι επισκευές πρέπει να διενεργούνται από εξειδικευμένο τεχνικό του σέρβις.

## ΚΑΘΑΡΙΣΜΟΣ ΤΗΣ ΧΛΟΟΚΟΠΤΙΚΗΣ ΜΗΧΑΝΗΣ

Η κάτω πλευρά της βάσης της χλοοκοπτικής μηχανής πρέπει να καθαρίζεται μετά από κάθε χρήση, καθώς συσσωρεύονται κομμάτια γρασιδιού, φύλλα, βρομιές και άλλα υπολείμματα.

Απομακρύνετε οποιαδήποτε συσσώρευση γρασιδιού και φύλλων επάνω ή γύρω από τον άξονα κίνησης και τον ανεμιστήρα του κινητήρα. Σκουπίστε τη χλοοκοπτική μηχανή με υγρό πανί.

## ΑΝΤΙΚΑΤΑΣΤΑΣΗ ΤΩΝ ΛΕΠΙΔΩΝ (Εικ. R1, R2, R3)

**⚠ ΠΡΟΕΙΔΟΠΟΙΗΣΗ:** Απομακρύνετε πάντα τις συστοιχίες μπαταριών και τον σάκο συλλογής γρασιδιού.

**⚠ ΠΡΟΕΙΔΟΠΟΙΗΣΗ:** Φοράτε πάντα προστατευτικά γάντια.

**ΕΙΔΟΠΟΙΗΣΗ:** Καθαρίζετε σχολαστικά την περιοχή άξονα κίνησης και την κάτω πλευρά του μηχανήματος προτού τοποθετήσετε τη διάταξη λεπίδων.

1. Αναποδογυρίστε τη χλοοκοπτική μηχανή.
2. Αφαιρέστε/Εγκαταστήστε το σετ λεπίδων με ένα μηχανικό κλειδί ακριβείας και δύο μεταλλικές ράβδους ως βοήθεια, σύμφωνα με την απεικόνιση.
3. Η τυπωμένη πλευρά της λεπίδας πρέπει να κοιτάζει προς τα έξω.

## ΑΠΟΘΗΚΕΥΣΗ ΤΗΣ ΧΛΟΟΚΟΠΤΙΚΗΣ ΜΗΧΑΝΗΣ (Εικ. S1 και S2)

- Απομακρύνετε τη συστοιχία μπαταριών από τη χλοοκοπτική μηχανή και αποθηκεύστε την σε μια δροσερή, στεγνή και καθαρή τοποθεσία. Μην την αποθηκεύετε δίπλα σε διαβρωτικά υλικά, όπως λιπάσματα ή ορυκτό αλάτι.
- Αδειάζετε το κουτί συλλογής γρασιδιού πριν από την αποθήκευση.
- Να περιμένετε πάντα να κρυώσει η χλοοκοπτική μηχανή, πριν από την αποθήκευσή της.
- Καθαρισμός και συντήρηση, πριν από την αποθήκευση.

- Αποθηκεύστε τη χλοοκοπτική μηχανή σε έναν καλυμμένο, κλειστό χώρο που είναι δροσερός, στεγνός και εκτός εμβέλειας παιδιών.
- Μην καλύπτετε τη χλοοκοπτική μηχανή με ένα ενιαίο πλαστικό φύλλο. Τα πλαστικά καλύμματα παγιδεύουν υγρασία γύρω από τη χλοοκοπτική μηχανή, με αποτέλεσμα να δημιουργείται σκουριά και να προκαλείται διάβρωση.
- Η μηχανή μπορεί να αποθηκευτεί επίπεδη ή όρθια (Εικ. S1 και S2).

**⚠ ΠΡΟΕΙΔΟΠΟΙΗΣΗ:** Εάν η χλοοκοπτική μηχανή ανατραπεί από την όρθια θέση, μπορεί να προκληθεί ζημιά σε αυτήν ή τραυματισμός. Διατηρείτε πάντα τη χλοοκοπτική μηχανή σταθερή και μακριά από τα παιδιά, όταν αυτή βρίσκεται σε όρθια θέση. Εάν είναι δυνατόν, τοποθετήστε την οριζόντια κατά την αποθήκευση.

#### ΠΡΟΣΤΑΣΙΑ ΤΟΥ ΠΕΡΙΒΑΛΛΟΝΤΟΣ



Οι ηλεκτρικές συσκευές δεν πρέπει να απορρίπτονται ως σύμμεικτα αστικά απορρίμματα. Χρησιμοποιείτε ξεχωριστές εγκαταστάσεις συλλογής απορριμμάτων.

Επικοινωνήστε με το δήμο σας για να μάθετε πληροφορίες για τα διαθέσιμα συστήματα συλλογής.

Εάν οι ηλεκτρικές συσκευές απορριφθούν στην ύπαιθρο ή σε χλωματερές, τότε είναι πιθανό να διαρρεύσουν επικίνδυνες ουσίες στα υπόγεια ύδατα, με αποτέλεσμα να περάσουν στην τροφική αλυσίδα, προκαλώντας ζημιές στην υγεία και την φυσική σας κατάσταση.

## ΑΝΤΙΜΕΤΩΠΙΣΗ ΠΡΟΒΛΗΜΑΤΩΝ

ΠΡΟΒΛΗΜΑ	ΑΙΤΙΑ	ΑΝΤΙΜΕΤΩΠΙΣΗ
Η χλοοκοπτική μηχανή ή η λειτουργία αυτοκίνησης δεν ξεκινούν.	<ul style="list-style-type: none"> <li>■ Η συστοιχία μπαταριών έχει αδειάσει.</li> </ul>	<ul style="list-style-type: none"> <li>■ Φορτίστε τη συστοιχία μπαταριών.</li> </ul>
	<ul style="list-style-type: none"> <li>■ Οι συστοιχίες μπαταριών δεν έχουν εισαχθεί στη θήκη μπαταρίας.</li> </ul>	<ul style="list-style-type: none"> <li>■ Εισαγάγετε τη συστοιχία μπαταριών στη θήκη μπαταρίας, μέχρι να ακουστεί ο χαρακτηριστικός ήχος «κλικ».</li> </ul>
	<ul style="list-style-type: none"> <li>■ Η λαβή δεν έχει ασφαλίσει σε θέση λειτουργίας και η ένδειξη κατάστασης της χλοοκοπτικής μηχανής αναβοσβήνει με πράσινο χρώμα.</li> </ul>	<ul style="list-style-type: none"> <li>■ Σταματήστε τη χλοοκοπτική μηχανή και βεβαιωθείτε ότι η χειρολαβή έχει ασφαλίσει σε κάποια από τις θέσεις λειτουργίας.</li> </ul>
	<ul style="list-style-type: none"> <li>■ Το πλαίσιο κοπής της χλοοκοπτικής μηχανής έχει φράξει με γρασίδι και υπολείμματα.</li> </ul>	<ul style="list-style-type: none"> <li>■ Καθαρίστε το πλαίσιο κοπής της χλοοκοπτικής μηχανής και βεβαιωθείτε ότι η διάταξη λεπίδων κινείται ελεύθερα.</li> </ul>
Η χλοοκοπτική μηχανή κόβει ανομοιόμορφα.	<ul style="list-style-type: none"> <li>■ Η διάταξη λεπίδων είναι στομωμένη.</li> </ul>	<ul style="list-style-type: none"> <li>■ Τροχήστε ή αντικαταστήστε τη διάταξη λεπίδων.</li> </ul>
	<ul style="list-style-type: none"> <li>■ Το ύψος κοπής γρασιδιού δεν έχει ρυθμιστεί σωστά.</li> </ul>	<ul style="list-style-type: none"> <li>■ Αλλάξτε τη ρύθμιση ύψους του πλαισίου κοπής σε υψηλότερη.</li> </ul>
	<ul style="list-style-type: none"> <li>■ Η διάταξη λεπίδων έχει τοποθετηθεί με λάθος τρόπο.</li> </ul>	<ul style="list-style-type: none"> <li>■ Επαναποθετήστε τη διάταξη λεπίδων, τηρώντας τις οδηγίες στην ενότητα «<b>ΑΝΤΙΚΑΤΑΣΤΑΣΗ ΤΗΣ ΛΕΠΙΔΑΣ</b>» του παρόντος εγχειριδίου.</li> </ul>
	<ul style="list-style-type: none"> <li>■ Η λειτουργία ταχύτητας λεπίδας δεν έχει ρυθμιστεί σωστά.</li> </ul>	<ul style="list-style-type: none"> <li>■ Επιλέξτε την κατάλληλη λειτουργία ταχύτητας λεπίδας.</li> </ul>
Η χλοοκοπτική μηχανή δεν πραγματοποιεί σωστή κάλυψη εδάφους.	<ul style="list-style-type: none"> <li>■ Υγρό κομμένο γρασίδι κολλάει στο κάτω μέρος του πλαισίου κοπής.</li> </ul>	<ul style="list-style-type: none"> <li>■ Περιμένετε να στεγνώσει το γρασίδι προτού το κόψετε.</li> </ul>
	<ul style="list-style-type: none"> <li>■ Η χλοοκοπτική μηχανή έχει ρυθμιστεί να κόβει υπερβολικά πολύ γρασίδι μονομιάς.</li> </ul>	<ul style="list-style-type: none"> <li>■ Σηκώστε τη βάση σε υψηλότερη ρύθμιση ύψους κοπής.</li> </ul>
	<ul style="list-style-type: none"> <li>■ Η λειτουργία ταχύτητας λεπίδας δεν έχει ρυθμιστεί σωστά.</li> </ul>	<ul style="list-style-type: none"> <li>■ Επιλέξτε χαμηλότερη ρύθμιση για την ταχύτητα της λεπίδας.</li> </ul>

**GR**

ΠΡΟΒΛΗΜΑ	ΑΙΤΙΑ	ΑΝΤΙΜΕΤΩΠΙΣΗ
<p>Η χλοοκοπτική μηχανή μηχανήματα σταματάει απροσδόκητα κατά τη διάρκεια της κοπής.</p>	<ul style="list-style-type: none"> <li>■ Η συστοιχία μπαταριών έχει αδειάσει.</li> </ul>	<ul style="list-style-type: none"> <li>■ Φορτίστε τη συστοιχία μπαταριών.</li> </ul>
	<ul style="list-style-type: none"> <li>■ Η χλοοκοπτική μηχανή μηχανήματα έχει υπερφορτωθεί και η ένδειξη κατάστασης της χλοοκοπτικής μηχανής αναβοσβήνει πορτοκαλί.</li> </ul>	<ul style="list-style-type: none"> <li>■ Ελέγξτε αν έχει συσσωρευτεί γρασίδι κάτω από το πλαίσιο κοπής και καθαρίστε αν χρειάζεται. Αυξήστε το ύψος κοπής ή επιβραδύνετε την κοπή.</li> </ul>
	<ul style="list-style-type: none"> <li>■ Η βάση της χλοοκοπτικής μηχανής έχει φράξει με γρασίδι και υπολείμματα.</li> </ul>	<ul style="list-style-type: none"> <li>■ Απομακρύνετε το μπλοκάρισμα στη βάση της χλοοκοπτικής μηχανής. Αυξήστε το ύψος κοπής ή δημιουργήστε ένα πιο στενό μονοπάτι.</li> </ul>
	<ul style="list-style-type: none"> <li>■ Το κύκλωμα της συστοιχίας μπαταριών ή της χλοοκοπτικής μηχανής είναι υπερβολικά ζεστό. Εάν η συστοιχία μπαταριών υπερθερμανθεί, η ένδειξη κατάστασης της χλοοκοπτικής μηχανής θα σβήσει. Εάν η χλοοκοπτική μηχανή υπερθερμανθεί, η ένδειξη κατάστασης της χλοοκοπτικής μηχανής θα ανάψει σταθερά με πορτοκαλί χρώμα.</li> </ul>	<ul style="list-style-type: none"> <li>■ Αφήστε τις μπαταρίες ή η χλοοκοπτική μηχανή να κρυώσουν.</li> </ul>
	<ul style="list-style-type: none"> <li>■ Η λειτουργία ταχύτητας λεπίδας δεν έχει ρυθμιστεί σωστά.</li> </ul>	<ul style="list-style-type: none"> <li>■ Επιλέξτε χαμηλότερη ρύθμιση για την ταχύτητα της λεπίδας.</li> </ul>
	<ul style="list-style-type: none"> <li>■ Το σφάλμα ηλεκτρονικού συστήματος της χλοοκοπτικής μηχανής και η ένδειξη κατάστασης της αναβοσβήνουν με κόκκινο/πράσινο χρώμα διαδοχικά.</li> </ul>	<ul style="list-style-type: none"> <li>■ Επικοινωνήστε με το κέντρο σέρβις της EGO.</li> </ul>
<p>Παρατηρούνται υπερβολικοί κραδασμοί.</p>	<ul style="list-style-type: none"> <li>■ Η διάταξη λεπίδων κοπής είναι λασκαρισμένα.</li> </ul>	<ul style="list-style-type: none"> <li>■ Συσφίξτε το μπουλόνι λεπίδας.</li> </ul>
	<ul style="list-style-type: none"> <li>■ Η διάταξη λεπίδων κοπής δεν έχει ισορροπία.</li> </ul>	<ul style="list-style-type: none"> <li>■ Επικοινωνήστε με το κέντρο σέρβις της EGO.</li> </ul>
	<ul style="list-style-type: none"> <li>■ Η λεπίδα κοπής έχει λυγίσει.</li> </ul>	<ul style="list-style-type: none"> <li>■ Αντικαταστήστε τη λεπίδα.</li> </ul>
	<ul style="list-style-type: none"> <li>■ Ο άξονας κινητήρα έχει λυγίσει.</li> </ul>	<ul style="list-style-type: none"> <li>■ Επικοινωνήστε με το κέντρο σέρβις της EGO.</li> </ul>
	<ul style="list-style-type: none"> <li>■ Η χλοοκοπτική μηχανή έχει ρυθμιστεί να κόβει υπερβολικά πολύ γρασίδι μονομιάς.</li> </ul>	<ul style="list-style-type: none"> <li>■ Σηκώστε τη βάση σε υψηλότερη ρύθμιση ύψους κοπής.</li> </ul>
	<ul style="list-style-type: none"> <li>■ Η λειτουργία ταχύτητας λεπίδας δεν έχει ρυθμιστεί σωστά.</li> </ul>	<ul style="list-style-type: none"> <li>■ Ρυθμίστε χαμηλότερη ρύθμιση για την ταχύτητα της λεπίδας.</li> </ul>

ΠΡΟΒΛΗΜΑ	ΑΙΤΙΑ	ΑΝΤΙΜΕΤΩΠΙΣΗ
Ο κινητήρας λειτουργεί, αλλά η διάταξη λεπίδων δεν κόβει το γρασίδι.	<ul style="list-style-type: none"><li>■ Η διάταξη λεπίδων δεν έχει σφιχτεί με την απαιτούμενη ροπή.</li></ul>	<ul style="list-style-type: none"><li>■ Σφίξτε εκ νέου τη διάταξη λεπίδων. Η συνιστώμενη ροπή για το μπουλόνι λεπίδας είναι 50-60 Nm.</li></ul>
Δυσκολία μετακίνησης του ρυθμιστικού επιλογής κοπής από τη μία πλευρά στην άλλη.	<ul style="list-style-type: none"><li>■ Υπερβολικά κομμένα χόρτα έχουν συσσωρευτεί πάνω στον αγωγό.</li></ul>	<ul style="list-style-type: none"><li>■ Καθαρίζετε τα χόρτα από το πλαίσιο κοπής της μηχανής μετά από κάθε χρήση.</li></ul>

## ΕΓΓΥΗΣΗ

### ΠΟΛΙΤΙΚΗ ΕΓΓΥΗΣΗΣ EGO

Επισκεφθείτε την ιστοσελίδα [egopowerplus.eu](http://egopowerplus.eu) για όλους τους όρους και τις προϋποθέσεις της πολιτικής εγγύησης EGO.

## TÜM TALİMATLARI OKUYUN!

**Kullanım amacı:** Bu ürün manuel olarak çim biçmek üzere tasarlanmıştır:

- Yalnızca kuru çimleri biçmek için kullanın. Islak çimleri biçmeyin.
- Ürünü herhangi bir başka amaçla kullanmayın.

**⚠ UYARI:** Bu makineyi kullanmadan önce **"TEHLİKE"**, **"UYARI"** ve **"DİKKAT"** gibi güvenlikle ilgili tüm uyarı sembollerini içeren bu Kullanım Kılavuzundaki tüm güvenlik talimatlarını okuyup anladığınızdan emin olun. Aşağıdaki talimatların tamamlanması elektrik çarpması, yangın ve/veya ciddi fiziksel yaralanma ile sonuçlanabilir.

## GÜVENLİK SEMBOLLERİ



Güvenlik Uyarısı



Bu ürünü çalıştırırken daima işitme koruması, güvenlik gözlüğü veya yan siperleri olan koruyucu gözlük ya da tam yüz maskesi kullanın.



Fırlayan nesnelere dikkat edin, çevredekileri uzak tutun.



Ellerinizi uzak tutun



Garanti edilen ses gücü seviyesidir.



Bu ürün, yürürlükteki Birleşik Krallık yasalarına uygundur.

IPX4

Siçrayan suya karşı koruma

mm

Milimetre



Doğru Akım



Yaralanma riskini azaltmak için kullanıcısı bu ürünü kullanmadan önce kullanım kılavuzunu okuyup anlamalıdır.



Ayar veya temizlik işlemi öncesinde makineyi kapatın ve çıkarılabilir akü takımını (veya devre dışı bırakma cihazını) sökün.



Ellerinizi ve ayaklarınızı bıçaklardan uzak tutun



Çalışan lambaya bakmayınız.



Bu ürün, yürürlükteki AB yönetmeliklerine uygundur.



Atık elektrikli ürünler, evsel atıklar ile birlikte bertaraf edilmemelidir. Yetkili bir geri dönüşüm merkezine teslim edilmelidir.

V

Volt

cm


Santimetre

kg

Kilogram

TR

## TEKNİK ÖZELLİKLER

Voltaj	56 V 	
Bıçak Hızı Modu	2	
	1	
	ECO	
Kesme Yüksekliği Konumları	8	
Kesme Yüksekliği Ayarı	25 mm/33 mm/43 mm/ 54 mm/66 mm/79 mm/ 92 mm/105 mm	
Kesme Genişliği	55 cm	
Çim Torbası Hacmi	85 L	
Çim Bıçme Makinesinin Ağırlığı (çim torbası ve BA6720T akülü)	37 kg	
Bıçak Seti Modeli	AB2212D-E	
Önerilen Çalışma Sıcaklığı	0°C - 40°C	
Önerilen Depolama Sıcaklığı	-20 °C - 70 °C	
Ölçülen ses gücü $L_{WA}$ seviyesi	95 dB(A) K=0,7 dB(A)	
Operatörün kulağındaki ses basıncı seviyesi $L_{PA}$	83 dB(A) K=3 dB(A)	
Garanti edilen ses $L_{WA}$ gücü seviyesi (2000/14/EC uyarınca ölçülen)	96 dB(A)	
Titreşim değeri $a_{h,v}$ :	Sol tutma kolu	1,35 m/s <sup>2</sup> K=1,5 m/s <sup>2</sup>
	Sağ tutma kolu	1,35 m/s <sup>2</sup> K=1,5 m/s <sup>2</sup>

TR

- Beyan edilen toplam titreşim değeri, standart test yöntemine uygun olarak ölçülmüştür ve bir makineyi diğer bir makine ile karşılaştırmak için kullanılabilir.
- Beyan edilen toplam titreşim değeri, maruz kalma seviyesinin ilk değerlendirilmesi için de kullanılabilir.

**⚠ UYARI:** Makinenin fiili kullanımı sırasında oluşan titreşim emisyonu değeri makinenin kullanım şekline bağlı olarak beyan edilen değerden farklı olabilir. Operatör korunmak için fiili kullanım koşullarında eldiven ve kulak koruması takmalıdır.

**⚠ UYARI:** Gerçek kullanım koşullarında tahmini maruz kalmaya bağlı olarak kullanıcıyı korumak için güvenlik önlemlerinin alınması gereklidir (aletin kapalı kaldığı zamanlar ve tetikleme süresine ek olarak boşta çalışma gibi çalışma döngüsüne ait tüm zamanlar dikkate alınmalıdır).

## AMBALAJ İÇERİĞİ (ŞEK. A1 VE A2)

PARÇAADI	MİKTAR
Çim Bıçme Makinesi	1
Çim Torbası	1
Çim Torbası Çerçevesi	1
Kullanım Kılavuzu	1

## AÇIKLAMA

### ÇİM BİÇME MAKİNENİZİ TANIYIN (Şek. A1 ve A2)

1. Tutma kolu
2. Yan Ray
3. Tutma Kolu Kilit Mandalı
4. Arka Boşaltma Kapağı
5. Kaldırma Kolu
6. Akü Bölmesi Kapağı
7. LED Farlar
8. Kesim Seçici Topuz
9. Ön Tekerlek
10. Kesim Yüksekliği Ayar Topuzu
11. Bıçme Haznesi
12. Hava Girişi
13. Arka Tekerlek
14. Hızlı Ayar Kolu
15. Çim Torbası
16. Arka Siper
17. Bıçak Dönüşü Tetiği
18. Otomatik Tahrık Tetiği
19. Otomatik Tahrıklı Hız Kadranı
20. Bıçak Hızı Modu Düğmesi
21. Güç Düğmesi
22. LED Far Düğmesi
23. LED Far Simgesi
24. LED Far Göstergesi
25. Çim Bıçme Makinesi Durum Göstergesi
26. Bıçak Simgesi



27. Bıçak Hızı Modu Göstergesi  
28. Biçme Makinesi Durum Simgesi

## MONTAJ

**⚠ UYARI:** Hasarlı veya eksik parça varsa bu parçalar değiştirilinceye kadar ürünü çalıştırmayın. Bu ürünün hasarlı veya eksik parçaları ile kullanılması ciddi yaralanmalara yol açabilir.

**⚠ UYARI:** Ciddi yaralanmalara neden olabilen yanlışlıkla çalışmayı önlemek için parçaları monte ederken aküyü mutlaka makineden çıkarın.

**⚠ UYARI:** Bu makine üzerinde değişiklik yapmaya veya bu çim biçme makinesi ile kullanılması önerilmeyen aksesuarlar oluşturmaya çalışmayın. Bu tür değişiklikler veya modifikasyonlar hatalı kullanımdır ve ciddi yaralanmalara neden olabilecek tehlikeli durumlara yol açabilir.

### AMBALAJIN AÇILMASI

- Tüm aksesuarları kartondan çıkarın.
- Çim biçme makinesini dikkatlice yukarı kaldırıp kartondan çıkarmak için çim biçme makinesinin ön kısmını ve kaldırma kolunu aynı anda tutun.

### KATLANIR TUTMA KOLUNU AYARLAMA

**⚠ UYARI:** Kol önceden ayarlanmış şu üç çalışma konumundan birine kilitlenene kadar çim biçme makinesini çalıştırmayı denemeyin: ÜST ÇALIŞTIRMA KONUMU, ORTA ÇALIŞTIRMA KONUMU ve ALT ÇALIŞTIRMA KONUMU.

1. Tutma kolunu KİLİTLİ DEPOLAMA KONUMU'ndan çıkarmak için hızlı ayar kolunu basılı tutun (Şek. B1).

B1-1	Hızlı Ayar Kolu
------	-----------------

2. Tutma sapını kaldırarak katlanmış konumdan çıkarın, ardından kolu bırakın. Tutma kolunu, kilit piminin aşağıdaki Şek. B2'de gösterildiği gibi farklı konulardan birine geçtiğini duya ve hissedene kadar yukarı doğru döndürün.

B2-1	Kilitli Depolama Konumu	B2-2	Çim Torbası Aksesuarı/ Çıkarma Pozisyonu
B2-3	Üst Çalıştırma Konumu	B2-4	Orta Çalıştırma Konumu
B2-5	Alt Çalıştırma Konumu		

3. Yan rayları tamamen uzatın ve tutma kolu kilit mandalını güvenli bir şekilde kapatın (Şek. B3).

**NOT:** Aşağıdaki koşullar sağlanmadıkça motor başlatılmaz:

- Yan raylar tamamen uzatılmış olmalıdır.
- Yeşil tutma kolu kilit mandalı güvenli bir şekilde kapatılmıştır.
- Tutma kolu, üç çalışma konumundan birine kilitlenir.

### ÇİM TORBASININ MONTAJI (Şek. C1, C2, C3)

Montajdan önce çim torbasını kontrol ederek hasar olmadığını emin olun.

Çim torbasını şekilde gösterildiği gibi monte edin.

### KESİM SEÇİCİ TOPUZ (Şek. D)

İstenilen çim biçme sonuçlarını elde etmek için kesim seçici topuzu beş konumdan herhangi birine getirin.

Topuz, sürgülü bir kapağı tamamen açık "TORBA" konumundan tamamen kapalı "MALÇ" konumuna ayarlayabilir.

Kesim seçici topuzu ayarlayarak çeşitli biçme koşulları yerine getirilebilir.

**Topuzu yeniden konumlandırmak için** topuzu mandaldan dışarı çekin ve istediğiniz konuma ayarlayın.

**DİKKAT:** Kesim seçim topuzunu bir yandan diğer yana hareket ettirirken yüksek bir direnç fark edilirse sürgülü kapağın üzerinde aşırı çim birikmiş olabilir. Her kullanımdan sonra çim biçme haznesinin altındaki çimler temizleyin.

D-1	Sürgülü Kapak	D-2	"MALÇ" Konumu
D-3	Kesim Seçici Topuz	D-4	"TORBA" Konumu

### SÜRGÜLÜ KAPAK KONUMU

Sürgülü kapak, farklı biçme sonuçları elde edecek şekilde yerleştirilebilir. Konumlar arasındaki farkı öğrenmek için bir çim torbası takın ve kesim seçici topuzu "TORBA" konumuna kadar tutarak çim biçmeye başlayın. Çimlerin görünümünü kontrol edin. Topuz "MALÇ" konumuna doğru hareket ettirildiğinde, daha fazla çim çimlere geri döndürülür. İstenilen sonuç elde edilene kadar kesim seçici topuzu ayarlayın. Torbalama/malçlama hibrit modu temiz ve ince bir kesimle sonuçlanır.

- **Kesim seçici topuz "TORBA" konumundadır,** sürgülü kapak tamamen açık olup tüm çim kırpıntılarının torbaya girmesini sağlar (Şek. E1).
- **Kesim seçici topuz torbalama/malçlama hibrit konumlarındadır,** sürgülü kapak kısmen kapalıdır.

Kırpıntıların bir kısmı torbaya girer ve bir kısmı da ince bir şekilde malçlanıp yere yönlendirilir (Şek. E2).

- Kesim seçici topuz "MALÇ" konumundadır, sürgülü kapak tamamen kapalıdır. Tüm kırpıntılar ince bir şekilde malçlanır ve yere yönlendirilir (Şek. E3).

## YANDAN BOŞALTMA

### Yan boşaltma oluğunu (ayrı satılır) takmak/ çıkarmak için

**DİKKAT:** Yan boşaltma oluğunu kullanmadan önce biçme haznesinin alt tarafının temiz olduğundan emin olun.

- Çim torbasını çıkarın ve kesim seçici topuzu "TORBA" konumuna getirin.
- Yan boşaltma oluğunu çim biçme makinesine Şek. F'de gösterildiği gibi takın.

## TAM TORBALAMA

### Çim torbasını takmak/çıkarmak için

**⚠ UYARI:** Normal kullanım koşullarında çim torbasının malzemesi aşınabilir. Yaralanma riskini azaltmak için çim torbasını sık sık inceleyin ve herhangi bir aşınma veya bozulma belirtisi varsa torbayı değiştirin. Sadece bu çim biçme makinesi için üretilmiş olan çim torbalarını kullanın.

**DİKKAT:** Çim torbasını kullanmadan önce biçme haznesinin alt kısmının temiz olduğundan emin olun.

- Yan boşaltma oluğunu çıkarın ve kesim seçici topuzu "TORBA" konumuna ayarlayın.
- Çim torbasını Şek. G'de gösterildiği gibi çim biçme makinesine takın.

## TAM MALÇLAMA (Şek. H)

- Çim torbasını çıkarın.
- Arka boşaltma kapağını bırakın.
- Kesim seçici topuzu "MALÇ" konumuna ayarlayın.

## TORBALAMA/MALÇLAMA HİBRİT (Şek. J)

- Çim torbasını takın.
- Kesim seçici topuzu üç torbalama/malçlama hibrit konumundan birine ayarlayın.

**NOT:** Kesim seçici topuz "MALÇ" konumuna doğru hareket ettirildiğinde, daha fazla çim çimlere geri döndürülür.

Kesim seçici topuz "TORBA" konumuna doğru hareket ettirildiğinde, arkadan çim torbasına daha fazla çim boşaltılır.

## KESİM YÜKSEKLİĞİ AYARI (Şek. K)

Kesme yüksekliğini ayarlarken ayaklarınızı biçme haznesinden uzak tutun.

Çim biçme makinesi, 25 mm ila 105 mm arasındaki 8 kesim yüksekliğinden birine ayarlanabilir. Seçilen kesme yüksekliğini gösteren bir işaret vardır.

Kesilecek çimin türüne ve durumuna göre uygun kesme yüksekliğini seçin.

1. Çim biçme makinesini kapatın ve kesme bıçağının tamamen durmasını bekleyin.
2. Akü takımını çıkarın.
3. Kesme yüksekliği ayar kolunu mandaldan dışarı çekin ve istediğiniz konuma ayarlayın.

**NOT:** Motorun aşırı yüklenmesini önlemek için uzun çimlerde kesme yüksekliğini çok düşük ayarlardan kaçının. Motor hızı yavaşlamaya başlarsa kesme yüksekliğini artırın.

## ÇALIŞTIRMA

Parçaları monte ederken, ayar yaparken, temizlik yaparken veya ürün kullanımda değilken daima akü takımını üründen çıkarın. Akü takımının çıkarılması, ciddi yaralanmalara neden olabilen yanlışlıkla çalışmayı önler.

## AKÜYÜ TAKMA/ÇIKARMA (Şek. L)

Sadece Şek. A3'te belirtilen EGO marka akü takımlarını ve şarj cihazlarını kullanın.

Daha fazla ayrıntı için ilgili akü ve şarj cihazı kılavuzlarına bakın.

## İlk kullanımdan önce tamamen şarj edin

1. Kapağın ön kısmını kaldırarak akü bölmesi kapağını kaldırın.
2. **Takmak için** Akünün çıkıntıları ile montaj yuvalarını hizalayın ve "klik" sesi duyana kadar aküyü aşağıya bastırın.
3. **Çıkarmak için** Çıkarmak için, akü çıkarma düğmesine basın ve aküyü çekip çıkarın (Şek. J).
4. Akü bölmesi kapağını kapatın.

**DİKKAT:** Kullanmaya başlamadan önce çim biçme makinesi üzerindeki mandalın kilitlenmiş olduğundan ve akünün makineye sağlam bir şekilde takıldığından emin olun.

## BIÇAK HIZI MODUNU SEÇME (Şek. M)

- **Mod 2**, emme kuvvetini veya kesme performansını iyileştirmek üzere yüksek kaldırma performansına yönelik yüksek bıçak hızı modudur.

- **Mod 1**, performans ve çalışma süresi arasında en iyi dengeyi sağlar.
- **ECO modu**, akü takımlarınızdan en düşük gürültü seviyesini ve en uzun çalışma süresini sağlar.

**NOT:** Bıçak hızı çalışma sırasında ayarlanamaz. Değişiklik ancak motor durdurulup tekrar çalıştırıldıktan sonra geçerli olacaktır.

Bıçak hızı modu düğmesine sırayla basarak **mod 2**, **mod 1** veya **ECO modu** arasından seçim yapın.

**NOT:** Varsayılan bıçak hızı modu, mod 1'dir.

M-1	Bıçak Hızı Göstergesi	M-2	Bıçak Hızı Modu Düğmesi
-----	-----------------------	-----	-------------------------

### ÇİM BİÇME MAKİNESİNİ ÇALIŞTIRMA/DURDURMA

Ürün yağmurda kullanılabilir.

**⚠ UYARI:** Bir çim biçme makinesinin kullanımı yabancı nesnelere gözlerinize fırlatılması sonucunu doğurabilir, bu da gözlerde ciddi hasara yol açabilir. Çim biçme makinesini çalıştırırken veya çim biçme makinesinde herhangi bir ayarlama veya onarım işlemi gerçekleştirirken daima koruyucu gözlük takın.

**DİKKAT:** Çim biçme makinesi kapatıldıktan sonra bıçak birkaç saniye daha dönmeye devam eder. Yeniden çalıştırmadan önce motorun/bıçağın dönmemesinin durmasını bekleyin. Çim biçme makinesini hızlı bir şekilde açıp kapatmayın.

**⚠ UYARI:** Çim biçme makinesini çim olmayan bir alandan geçirmek için yatırıp çekerken ve çim biçilecek alana getirip götürürken bıçağı durdurun.

**⚠ UYARI:** Çim biçme makinesinin çalıştırılması için eğilmesi gerektiği durumlar dışında motoru çalıştırırken çim biçme makinesini eğmeyin. Ürünün yana yatırılması gerekirse, yatırma işlemini sadece gerektiği kadar ve operatöre uzak olan tarafından yapın.

Kullanmadan önce bıçağın ve bıçak civatasının aşınmamış veya hasar görmemiş olduğunu anlamak için her zaman görsel olarak kontrol edin. Dengeyi korumak için aşınmış veya hasar görmüş bıçak ve civataları setler halinde değiştirin.

### Kesme bıçağında tıkanma olup olmadığını kontrol edin:

- Tıkanmayı önlemek için kesme bıçağını ve biçme haznesini temiz tutun. Her kullanımdan önce ve sonra çim kırıntılarını, yaprakları, kiri ve birikmiş diğer kalıntıları temizleyin.
- Tıkanma olduğunda, çim biçme makinesini durdurun ve akü takımını çıkarın, ardından tahrik mili ve motor fanı üzerinde veya çevresinde biriken çim ve yaprakları temizleyin. Çim biçme makinesini nemli bir bezle temizleyin.

**DİKKAT:** Güç düğmesinin ve bıçak dönüşü tetiğinin çalışmasını geçersiz kılmaya çalışmayın.

**NOT:** Tutma kolu üç çalıştırma konumundan birinde kilitlenmedikçe motor çalıştırılmaz.

### Bıçme makinesini çalıştırmak için (Şek. N1 ve N2)

1. Akü takımını çim biçme makinesine takın ve akü bölümü kapağını kapatın.
2. Gösterge panelini aydınlatmak için güç düğmesine basın, çim biçme makinesi durum göstergesi - bıçak hızı göstergesi mod 1'de yanacaktır.
3. İstenilen hızı seçmek için bıçak hızı modu düğmesine basın.
4. Güç düğmesini basılı tutun.
5. Güç düğmesi basılıyken, bıçak dönüş tetiğini tutma koluyla buluşacak şekilde çekin ve güç düğmesini bırakın.

### Bıçme makinesini durdurmak için (Şek. N3)

1. Bıçak dönüşü tetiğini tamamen bırakın.
2. Otomatik Fren Mekanizmasındaki elektrikli fren, bıçak dönüş tetiği bırakıldıktan sonra 3 saniye içinde bıçak dönüşünü durdurur.

### DEĞİŞKEN HIZLI OTOMATİK TAHİRİK SİSTEMİ (Şek. P)

Çim biçme makinesi değişken hızlı otomatik tahrik özelliğine sahiptir. Bu otomatik tahrik sistemi bıçağın dönüşünden bağımsızdır.

### Otomatik tahrik sistemini bıçak dönüşü olmadan çalıştırmak için

1. Gösterge panelini aydınlatmak için güç düğmesine basın.
2. Otomatik tahrikli hız kadranını bir tık sesi duyulana kadar hafifçe ileri doğru çevirin, ardından otomatik tahrik tetiğine/tetiklerine basın. İki adet otomatik tahrik tetiği vardır; otomatik tahrik işlevini başlatmak için bunlardan birine basın.

**Otomatik tahriki kapatmak için** otomatik tahrik tetiğini bırakın.

P-1	Otomatik Tahrikli Hız Kadranı	P-2	Otomatik Tahrik Tetiği
-----	-------------------------------	-----	------------------------




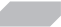


### LED FARLAR (ŞEK. Q)

**Farları yakmak için** LED far düğmesine basın. Farlar çim biçme makinesinin önüne parlak ışık sağlar.

**Farları kapatmak için** düğmeye tekrar basın.

## ÇİM BİÇME MAKİNESİ DURUM GÖSTERGELERİ (Şek. A2)

Kontrol panelindeki çim biçme makinesi durum göstergesi, çim biçme makinesinin çalışma durumunu gösterir.

Gösterge	Açıklama	Anlamı	İşlem
	Sabit yeşil	Çim biçme makinesi düzgün çalışıyor.	Gerekli değil.
	Yanıp sönen yeşil	Yan raylar tamamen uzatılmamıştır.	Çim biçme makinesini durdurun ve yan rayların tamamen uzatılmış durumda olduğundan emin olun.
		Tutma kolu bir çalıştırma konumunda kilitletilmiştir.	Çim biçme makinesini durdurun ve tutma kolunun çalıştırma konumlarından birine kilitletiğinden emin olun.
	Yanıp sönen kırmızı	Akü şarj seviyesi düşüktür.	Çim biçme makinesini durdurun ve aküyü şarj edin.
	Sabit turuncu	Çim biçme makinesi aşırı ısınmıştır.	Emniyet anahtarını bırakın ve çim biçme makinesi sıcaklığı 80 °C'nin altına düşene kadar bekleyin. Aşağıdaki " <b>ÇİM BİÇME MAKİNESİ YÜKSEK SICAKLIK KORUMASI</b> " bölümüne bakın.
	Yanıp sönen turuncu	Çim biçme makinesi aşırı yüklenmiştir.	<ol style="list-style-type: none"> <li>Önce akü takımını çıkarın, ardından biçme haznesinin altında çim birikip birikmediğini kontrol edin. Gerekirse temizleyin.</li> <li>Çim biçerken adımlarınızı yavaşlatın.</li> <li>Kesme yüksekliğini yükseltin.</li> <li>Yukarıdaki çözümler işe yaramazsa lütfen EGO Müşteri Hizmetleri ile iletişime geçin. Aşağıdaki "<b>ÇİM BİÇME MAKİNESİ AŞIRI YÜK KORUMASI</b>" bölümüne bakın.</li> </ol>
	Sırasıyla kırmızı/yeşil yanıp sönen	Biçme makinesinde elektronik hata vardır.	EGO Müşteri Hizmetleri ile irtibata geçin.

TR

### ÇİM BİÇME MAKİNESİ YÜKSEK SICAKLIK KORUMASI

Çalışma sırasında çim biçme makinesinin sıcaklığı 90 °C'yi aşarsa, sıcaklık koruma devresi çim biçme makinesini aşırı ısınma hasarına karşı korumak için hemen kapatır.

Çim biçme makinesi durum göstergesi sabit turuncu renkte yanar. Bıçak dönüşü tetiğini bırakın ve aşırı ısınan çim biçme makinesi soğuyana ve durum göstergesi yeşile dönene kadar bekleyin, ardından çim biçme makinesini yeniden başlatın.

### ÇİM BİÇME MAKİNESİ AŞIRI YÜK KORUMASI

Aşırı yük oluşmasını önlemek için, bir defada çok fazla çim biçmeye çalışmayın. Adımınızı yavaşlatın veya kesme yüksekliğini artırın.

Çim biçme makinesinde dahili aşırı yük devre koruması mevcuttur. Çim biçme makinesi aşırı yüklendiğinde, motor durur ve gösterge paneli üzerindeki çim biçme makinesi durum göstergesi turuncu renkte yanıp söner.

## BAKIM

**⚠ UYARI:** Çim biçme makinesini temizlemeden, herhangi bir bakım yapmadan veya taşımadan önce ciddi yaralanmaları önlemek için daima çim biçme makinesini kapatın, akü takım(lar)ını çıkarın ve tüm hareketli parçaların tamamen durduğundan emin olun.

**⚠ UYARI:** Makinenizin bakımını her zaman düzenli olarak yaptırın.

**⚠ UYARI:** Yabancı bir cisme çarptıktan sonra tüm hareketli parçaların tamamen durduğundan emin olmak ve makineyi yeniden başlatmadan ve çalıştırmadan önce makinede hasar olup olmadığını kontrol etmek ve onarımları yapmak için makineyi durdurun ve akü takımını çıkarın.

**⚠ UYARI:** Makine anormal şekilde titremeye başlarsa, tüm hareketli parçaların tamamen durduğundan emin olmak için makineyi durdurun ve ardından derhal hasar kontrolü yapmak, hasarlı parçaları değiştirmek veya onarmak ve gevşek parçaları kontrol etmek ve sıkmak için akü takımını çıkarın.

**⚠ UYARI:** Bakım yaparken sadece orijinal yedek parçaları kullanın. Diğer parçaların kullanılması tehlike oluşturabilir veya ürünün hasar görmesine neden olabilir. Emniyet ve güvenilirliği sağlamak için tüm tamir işleri yetkili bir servis teknisyeni tarafından yapılmalıdır.

### ÇİM BİÇME MAKİNESİNİN TEMİZLENMESİ

Biçme haznesinin alt kısmı her kullanımdan sonra temizlenerek çim kırpıntıları, yaprak, pislik veya diğer maddelerin birikmesi önlenmelidir.

Tahrik milinin ve motor fanının üzerinde veya etrafında biriken çimleri ve yaprakları temizleyin. Çim biçme makinesini nemli bir bezle temizleyin.

### BIÇAK TAKIMINI DEĞİŞTİRME (Şek. R1, R2, R3)

**⚠ UYARI:** Akü takımını ve çim torbasını her zaman çıkarın.

**⚠ UYARI:** Daima koruyucu eldiven giyin.

**DİKKAT:** Bıçak takımını takmadan önce tahrik mili alanını ve makinenin alt tarafını iyice temizleyin.

1. Çim biçme makinesini ters çevirin.
2. Bıçağı bir tork anahtarı ve iki metal çubukla şekilde gösterildiği gibi çıkarın/takın.
3. Baskılı bıçak tarafı dışa doğrudur.

### ÇİM BİÇME MAKİNESİNİ DEPOLAMA (Şek. S1 ve S2)

- Aküyü çim biçme makinesinden çıkarın ve serin, kuru ve temiz bir yerde saklayın. Gübre veya kaya tuzu gibi aşındırıcı maddelerin yanında saklamayın.
- Depoya kaldırmadan önce çim torbasını boşaltın.
- Çim biçme makinesini depoya kaldırmadan önce daima soğumasını bekleyin.
- Depolama öncesi temizlik ve bakım.
- Çim biçme makinesini çocukların ulaşamayacağı, serin ve kuru bir yerde saklayın.
- Çim biçme makinesini sert plastik bir örtü ile örtmeyin. Plastik örtüler nemi çim biçme makinesinin üzerinde tutar, bu da paslanmaya ve korozyona neden olur.
- Biçme makinesi düz veya dik olarak depolanabilir (Şek. S1 ve S2).

**⚠ UYARI:** Dik konumdaki çim biçme makinesi devrilirse, makine hasarına ve kişisel yaralanmaya neden olabilir. Çim biçme makinesi dik konumdayken daima dengede ve çocukların ulaşamayacağı bir konumda olmasını sağlayın. Mümkünse, yassı olarak yatırarak saklayın.

### ÇEVRE KORUMASI



Elektrikli cihazları ev atıklarıyla birlikte atmayın, ayrı toplama tesislerini kullanın.

Mevcut toplama sistemleri ile ilgili bilgi almak için yerel idare ile irtibata geçin.

Elektrikli cihazlar katı atık sahaları veya çöp toplama alanlarına atılırsa, yer altı sularına ve besin zincirine tehlikeli maddeler sızabilir, bu da sağlığınızı bozulmasına yol açabilir.

## SORUN GİDERME

SORUN	NEDENİ	ÇÖZÜM
Çim biçme makinesi veya otomatik tahrik işlevi başlatılmıyor.	■ Akü takımının şarjı boşalmıştır.	■ Akü takımını şarj edin.
	■ Akü takımı akü bölmesine düzgün takılmamıştır.	■ Akü takımını bir "klik" sesi duyana kadar akü bölmesine yerleştirin.
	■ Tutma kolu bir çalışma konumunda kilitli değildir ve çim biçme makinesi durum göstergesi yeşil renkte yanıp sönüyordur.	■ Çim biçme makinesini durdurun ve tutma kolunun çalışma konumlarından birine kilitlendiğinden emin olun.
	■ Çim biçme makinesinin biçme haznesi çim ve artık maddeler nedeniyle tıkanmıştır.	■ Biçme haznesini temizleyin ve bıçak takımının serbestçe hareket ettiğinden emin olun.
Çim biçme makinesi eşit boyda kesim yapmıyor.	■ Bıçak takımı körelmiştir.	■ Bıçak takımını bileyin veya değiştirin.
	■ Çim kesme yüksekliği doğru ayarlanmamıştır.	■ Biçme haznesi yüksekliğini daha yüksek bir ayara getirin.
	■ Bıçak takımı yanlış takılmıştır.	■ Bu kılavuzdaki " <b>BIÇAK TAKIMINI DEĞİŞTİRME</b> " bölümüne göre bıçağı takın.
	■ Bıçak hızı modu düzgün ayarlanmamıştır.	■ Uygun bir bıçak hızı modu seçin.
Çim biçme makinesi düzgün malçlama yapmıyor.	■ Islak çim kırpıntıları biçme haznesinin altına yapışmıştır.	■ Çim biçmeye başlamadan önce çimlerin kurumasını bekleyin.
	■ Çim biçme makinesi, bir defada çok fazla çim kesecek şekilde ayarlanmıştır.	■ Biçme haznesini daha yüksek bir kesim yüksekliği ayarına getirin.
	■ Bıçak hızı modu düzgün ayarlanmamıştır.	■ Bıçak hızını daha düşük bir ayara seçin.

SORUN	NEDENİ	ÇÖZÜM
Biçme sırasında çim biçme makinesi beklenmedik şekilde duruyor.	<ul style="list-style-type: none"> <li>Akü takımının şarjı boşalmıştır.</li> </ul>	<ul style="list-style-type: none"> <li>Akü takımını şarj edin.</li> </ul>
	<ul style="list-style-type: none"> <li>Çim biçme makinesi aşırı yükli'dür ve çim biçme makinesi durum göstergesi turuncu renkte yanıp sönüyordur.</li> </ul>	<ul style="list-style-type: none"> <li>Biçme haznesinin altında çim birikip birikmediğini kontrol edin ve gerekiyorsa temizleyin. Kesim yüksekliğini artırın veya çim biçme hızını yavaşlatın.</li> </ul>
	<ul style="list-style-type: none"> <li>Çim biçme makinesinin biçme haznesi çim ve artık maddeler nedeniyle tıkanmıştır.</li> </ul>	<ul style="list-style-type: none"> <li>Biçme haznesindeki tıkanıklığı giderin. Kesme yüksekliğini yükseltin ve/veya daha dar bir biçme alanı kesin.</li> </ul>
	<ul style="list-style-type: none"> <li>Akü takımı veya çim biçme makinesi devresi çok sıcaktır. Akü takımı aşırı ısınırca çim biçme makinesinin durum göstergesi kapanır. Çim biçme makinesi aşırı ısınırca çim biçme makinesi durum göstergesi sabit turuncu renkte yanar.</li> </ul>	<ul style="list-style-type: none"> <li>Akü takımının veya çim biçme makinesinin soğumasını bekleyin.</li> </ul>
	<ul style="list-style-type: none"> <li>Bıçak hızı modu düzgün ayarlanmamıştır.</li> </ul>	<ul style="list-style-type: none"> <li>Bıçak hızını daha düşük bir ayara seçin.</li> </ul>
	<ul style="list-style-type: none"> <li>Çim biçme makinesinde elektronik hatası vardır ve çim biçme makinesi durum göstergesi dönüşümlü olarak kırmızı/yeşil yanıp sönüyordur.</li> </ul>	<ul style="list-style-type: none"> <li>EGO servis merkeziyle iletişime geçin.</li> </ul>
Aşırı titreşim var.	<ul style="list-style-type: none"> <li>Kesme bıçağı takımı gevşektir.</li> </ul>	<ul style="list-style-type: none"> <li>Bıçak civatasını sıkın.</li> </ul>
	<ul style="list-style-type: none"> <li>Kesim bıçağı takımı dengesizdir.</li> </ul>	<ul style="list-style-type: none"> <li>EGO servis merkeziyle iletişime geçin.</li> </ul>
	<ul style="list-style-type: none"> <li>Kesme bıçağı bükülmüştür.</li> </ul>	<ul style="list-style-type: none"> <li>Bıçağı değiştirin.</li> </ul>
	<ul style="list-style-type: none"> <li>Motor mili bükülmüştür.</li> </ul>	<ul style="list-style-type: none"> <li>EGO servis merkeziyle iletişime geçin.</li> </ul>
	<ul style="list-style-type: none"> <li>Çim biçme makinesi, bir defada çok fazla çim kesecek şekilde ayarlanmıştır.</li> </ul>	<ul style="list-style-type: none"> <li>Biçme haznesini daha yüksek bir kesim yüksekliği ayarına getirin.</li> </ul>
	<ul style="list-style-type: none"> <li>Bıçak hızı modu düzgün ayarlanmamıştır.</li> </ul>	<ul style="list-style-type: none"> <li>Bıçak hızını daha düşük bir ayara ayarlayın.</li> </ul>
Motor çalışıyor ancak bıçak takımı çimleri kesmiyor.	<ul style="list-style-type: none"> <li>Bıçak takımı gerekli torka sıkılmamıştır.</li> </ul>	<ul style="list-style-type: none"> <li>Bıçak takımını yeniden sıkın. Bıçak civatası için önerilen tork 50-60 Nm'dir.</li> </ul>
Kesim seçici tozuz bir yandan diğer yana zor hareket ettiriliyor.	<ul style="list-style-type: none"> <li>Sürgünün üzerinde aşırı çim kırıntıları birikmiştir.</li> </ul>	<ul style="list-style-type: none"> <li>Her kapak kullanımından sonra biçme haznesindeki çimleri temizleyin.</li> </ul>

## GARANTİ

### EGO GARANTİ POLİTİKASI

EGO Garanti Politikasına ilişkin tüm hükümler ve koşullar için lütfen [egopowerplus.eu](http://egopowerplus.eu) adresindeki web sitesini ziyaret edin.

## LUGEGE LÄBI KÕIK JUHISED!

**Sihotstarve:** Toode on ette nähtud käsitsi muru niitmiseks:

- Kasutage ainult kuiva muru niitmiseks. Ärge niitke märga muru.
- Ärge kasutage seda muudel eesmärkidel.

**⚠ HOIATUS!** Enne käesoleva masina kasutamist lugege kindlasti läbi ja tehke endale selgeks kõik kasutusjuhendis toodud ohutusjuhised, sh kõik ohutussümbolid, nagu "OHT", "HOIATUS" ja "ETTEVAATUST". Kui allpool loetletud juhiseid ei järgita, võib tagajärjeks olla elektrilöök, tulekahju ja/või rasked kehavigastused.

## OHUTUSSÜMBOLID



Ohutusteade



Kandke selle toote kasutamise ajal alati kaitseprille või külgkaitsetega kaitseprille ja täielikku näokaitset.



Hoiduge viskuvate esemete eest, hoidke kõrvalseisjatest ohutusse kaugusesse.



Hoidke käed eemal



Garanteeritud helivõimsuse tase.



Toode vastab kohaldatavatele Ühendkuningriigi õigusaktidele.

IPX4

Kaitstud igast suunast tulevate pritsmete vastu

**ET**

mm

Millimeeter



Alalisvool



Vigastusohu vähendamiseks peab kasutaja enne toote kasutamist lugema kasutusjuhendit ja selle endale selgeks tegema.



Enne seadme reguleerimist või puhastamist lülitage välja ja eemaldage akuplokk (või blokeerimiseseade).



Hoidke käed ja jalad teradest eemal



Ärge vaadake töötava tule suunas.



Toode vastab kohaldatavatele EÜ direktiividele.



Elektriseadmete jäätmeid ei tohi visata olmejäätmete hulka. Viige volitatud taaskäitleja juurde.

V

Volti

cm

Sentimeeter

kg

Kilogramm



## SPETSIFIKATSIOONID

Pinge	56 V	
Tera kiirusrežiim	2	
	1	
	ECO	
Lõikekõrguse valikud	8	
Lõikekõrguse seadistus	25 mm/33 mm/43 mm/ 54 mm/66 mm/79 mm/ 92 mm/105 mm	
Lõikelaius	55 cm	
Murukoti maht	85 L	
Niiduki kaal (koos rohkoti ja akuga BA6720T)	37 kg	
Terakomplekti mudel	AB2212D-E	
Soovituslik töökeskkonna temperatuur	0 °C - 40 °C	
Soovituslik hoiustamise temperatuur	-20°C - 70°C	
Mõõdetud helivõimsus tase $L_{WA}$	95 dB(A) K=0,7 dB(A)	
Helirõhk seadme operaatori kõrva juures $L_{PA}$	83 dB(A) K=3 dB(A)	
Garanteeritud heli võimsustase $L_{WA}$ (mõõdetud vastavalt 2000/14/EÜ)	96 dB(A)	
Vibratsiooni $a_{hh}$ mõõtmine:	Vasakpoolne käepide	1,35 m/s <sup>2</sup> K=1,5 m/s <sup>2</sup>
	Parempoolne käepide	1,35 m/s <sup>2</sup> K=1,5 m/s <sup>2</sup>

- Esitatud vibratsioonitaseme näit on mõõdetud standardsete testmeetodite kohaselt ja seda võib kasutada erinevate masinate võrdlemiseks.
- Esitatud vibratsioonitaseme näitu võib kasutada ka alge kokkupuutehinnangu andmiseks.

**⚠ HOIATUS!** Tegelikul kasutamisel tekib vibratsioonitase võib esitatust erineda. Turvalisuse eesmärgil peaks masina kasutaja kandma tegelikes kasutustingimustes kindaid ja kuulmiskaitsmeid.

**⚠ HOIATUS!** Vajadus tuvastada ohutusmeetmed kasutaja kaitsmiseks, mis põhinevad kokkupuute hinnangul

tegelikes kasutustingimustes (võttes arvesse kõiki töötüsükli osi, näiteks aja, mil tööriist on välja lülitatud ja kui see töötab tühikäigul, lisamine käivitusajale).

## PAKENDI LOEND (JONIS A1 JA A2)

OSA NIMI	KOGUS
Muruniiduk	1
Murukott	1
Murukoti raam	1
Kasutusjuhend	1

## KIRJELDUS

### NIIDUKI ÜLEVAADE (Joonis A1 ja A2)

1. Käepide
2. Küljerelss
3. Käepideme lukustusklamber
4. Tagumine väljutusava
5. Tõstetav käepide
6. Akupesa kate
7. LED-esituled
8. Klambri valimisnupp
9. Esiratas
10. Lõikekõrguse reguleerimise nupp
11. Sõidulaul
12. Õhu sissevõtuava
13. Tagaratas
14. Kiirreguleerimishoob
15. Murukott
16. Tagumine kaitsekilp
17. Tera pöörlemise päästik
18. Iseliikuvast süsteemi päästik
19. Iseliikumise kiiruse reguleerimisnupp
20. Terakiiruse režiiminupp
21. Toitenupp
22. LED-esituled nupp
23. LED-esituled ikoon
24. LED-esituled indikaator
25. Niiduki oleku märgutuli
26. Lõiketera ikoon
27. Terakiiruse režiimi indikaator
28. Niiduki oleku ikoon

ET

## KOKKUPANEK

**⚠ HOIATUS!** Kui mõni osa on kahjustatud või puudub, ärge kasutage toodet enne, kui see osa on asendatud. Kui kasutate kahjustatud või vajalike komponentideta seadet, võite saada raskeid vigastusi.

**⚠ HOIATUS!** Raskeid vigastusi põhjustada võiva juhusliku käivitumise vältimiseks eemaldage masina osade kokkupaneu ajaks alati akuplokk.

**⚠ HOIATUS!** Ärge üritage masinat ümber ehitada ega kasutada tarvikuid, mis pole mõeldud selle niidukiga koos kasutamiseks. Kõik niisugused muudatused loetakse väärkasutuseks ja need võivad põhjustada ohtlikke olukordi, mis võivad lõppeda raskete vigastustega.

### LAHTIPAKKIMINE

- Eemaldage karbist kõik tarvikud.
- Võtke niiduki esiosa ja tõstekäepidemest samaaegselt kinni, et tõsta niiduk ettevaatlikult üles ja karbist välja.

### LAHTIVÕETAVA KÄEPIDEME REGULEERIMINE

**⚠ HOIATUS!** Ärge üritage muruniidukit käivitada enne kui käepide on fikseeritud ühte kolmest eelseadistatud asendisse: ÜLEMINE TÕÕASEND, KESKMINE TÕÕASEND ja ALUMINE TÕÕASEND.

1. Hoidke kiirreguleerimishooba all, et vabastada käepide LUKUSTATUD HOIJASENDIST (Joonis B1).

B1-1	Kiirreguleerimishoob
------	----------------------

2. Tõstke kokkupandud asendis olevat käepidet ja laske hoob lahti. Pöörake käepidet ettevaatlikult ülespoole, kuni tunnete ja kuulete, kuidas lukustustihvt ühte joonisel B2 näidatud asenditest lukustub.

B2-1	Lukustatud hoiuasend	B2-2	Murukotti kinnitus/ Eemaldusasend
B2-3	Ülemine tööasend	B2-4	Keskmine tööasend
B2-5	Alumine tööasend		

3. Tõmmake külgsiinid täielikult välja ja lukustage käepideme lukustusklamber (Joonis B3).

**MÄRKUS:** Mootorit ei saa käivitada, kui alljärgnevad tingimused pole täidetud:

- Küljesiinid on täies ulatuses pikendatud.
- Roheline käepideme lukustusklamber on kindlalt suletud.
- Käepide on lukustatud ühte kolmest tööasendist.

### MURUKOTI KOKKUPANEK (Joonis C1, C2, C3)

Enne kokkupanemist kontrollige murukotti, et veenduda, et sellel pole kahjustusi.

Pange murukott kokku, nagu joonisel näidatud.

### KLAMBRII VALIKNUPP (Joonis D)

Soovitud niitmistulemuse saavutamiseks asetage klambri valiknupp ükskõik millisesse viiest asendist.

Nupu abil saab reguleerida liugukse täielikult avatud asendist "BAG" kuni täielikult suletud asendini "MULCH".

Klambri valimisnupu reguleerimise abil saab valida erinevaid niitmistingimusi.

**Nupu ümberpaigutamiseks tõmmake** nuppu väljapoole tõkkepunkti ja seadke see soovitud asendisse.

**MÄRKUS:** Kui klambri valiknupu liigutamisel küljelt küljele märgatakse suurt vastupanu, võib liuguksele olla kogunenud liigne rohi. Pärast iga kasutamist puhastage muru niidukikorpuse alt.

D-1	Liuguks	D-2	"MULCH" asend
D-3	Klambri valimisnupp	D-4	"BAG" asend

### LÜKANDUKSE ASEND

Lükandukse saab paigutada nii, et saavutada erinevaid niitmistulemusi. Asendite erinevuse tundmaõppimiseks paigaldage rohukott ja alustage niitmist nii, et klambri valimisnupp on täielikult asendis "BAG". Kontrollige muru välimust. Kui nuppu liigutatakse asendisse "MULCH", suunatakse rohkem rohtu tagasi murule. Reguleerige klambri valimisnuppu, kuni saavutate soovitud tulemuse. Kotti kogumise/mulšimise hübridrežiim annab puhta ja kauni lõikuse.

- **Klõpsake valimisnupp on asendis "BAG"**, liuguks on täielikult avatud, nii et kõik murujätmed kogutakse kotti (Joonis E1).
- **Klambri valimisnupp on kotti kogumise/mulšeerimise hübridasendis**, liuguks on osaliselt suletud. Osa lõikematerjali kogutakse kotti, osa peenestatakse ja suunatakse maapinnale (Joonis E2).
- **Klambri valimisnupp on asendis "MULCH"**, liuguks on täielikult suletud. Kõik lõiked peenestatakse ja suunatakse maapinnale (Joonis E3).

## KÜLGMINE VÄLJUTUS

### Külgmise väljutusrenni (müüakse eraldi) kinnitamiseks/eemaldamiseks

**MÄRKUS:** Veenduge, et korpuse alumine pool oleks puhas, enne kui kasutate külgmist väljutusrenni.

- Eemaldage rohkott ja seadke klambrivaliku nupp asendisse "BAG".
- Paigaldage külgmine väljutusrenn niidukisse, nagu on näidatud joonisel F.

## TÄIELIK KOTTI KOGUMINE

### Rohukoti kinnitamine/eemaldamine

**▲ HOIATUS!** Tavakasutuse käigus murukoti materjal kulub. Vigastusohu vähendamiseks kontrollige murukotti pidevalt ja kulumise või kahjustuste tuvastamisel vahetage kott välja. Kasutage ainult selle niiduki jaoks toodetud murukotte.

**MÄRKUS:** Enne rohukoti kasutamist veenduge, et korpuse alumine külg on puhas.

- Eemaldage külgmine väljutusrenn ja seadke klambrivaliku nupp asendisse "BAG".
- Paigaldage murukott niidukisse, nagu näidatud joonisel G.

## TÄIELIK MULTŠIMINE (Joonis H)

- Eemaldage rohkott.
- Vabastage tagumine tühjendusluuk.
- Seadke klambri valimisnupp asendisse "MULCH".

## KOTTI KOGUMISE/MULTŠIMISE HÜBRIID (Joonis J)

- Kinnitage rohkott.
- Seadke klambrivaliku nupp ühte kolmest kotti kogumise/multšimise hübriidasendist.

**MÄRKUS:** Kui klambrivaliku nuppu liigutatakse asendisse "MULCH", suunatakse rohkem rohtu tagasi murule.

Kui klambrivaliku nuppu liigutatakse asendisse "BAG", lastakse rohkem rohtu läbi tagumise väljastusluugi rohkotti.

## LÕIKEKÕRGUSE REGULEERIMINE (Joonis K)

Hoidke jalad niiduki alusest lõikekõrguse muutmise ajal eemal.

Niidukil on võimalik valida 8 erineva lõikekõrguse vahel vahemikus 25 kuni 105 mm. Märgistus näitab valitud lõikekõrgust.

Valige muru tüübile ja seisukorrale vastav lõikekõrgus.

1. Lülitage muruniiduk välja ja oodake, kuni lõiketera täielikult seiskub.
2. Eemaldage aku.
3. Tõmmake eesmine või tagumine lõikekõrguse reguleerimise hoob fiksaatorist välja ja seadke see soovitud asendisse.

**MÄRKUS:** Mootori ülekoormuse vältimiseks ärge seadke lõikekõrgust kõrge rohu puhul liiga madalale. Kui mootori kiirus hakkab aeglustuma, tõstke lõikekõrgust.

## KASUTAMINE

Seadme kokkupanemise, kohandamise, puhastamise või mittekasutamise ajaks tuleb akuplokk alati eemaldada. Akuploki eemaldamisega välistate seadme juhusliku käivitamise, millega võiksid kaasnedä rasked kehavigastused.

### AKUPLOKI PAIGALDAMINE/EEMALDAMINE (Joonis L)

Kasutage ainult joonisel A3 esitatud EGO akusid ja laadijaid.

Lisateavet leiate vastavatest akuplokkide ja laadijate kasutusjuhenditest.

### Laadige enne esimest kasutamist täielikult

1. Tõstke akupesa kate üles, tõstes katte esiosa.
2. **Kinnitamiseks** joondage aku sakid paigaldussoontega ja suruge aku alla, kuni kuulete klõpsatust.
3. **Eemaldamiseks** vajutage akuvabastusnuppu ja tõmmake aku välja.
4. Sulgege patareipesa kaas.

**MÄRKUS:** Jälgige, et niidukil olev riiv klõpsaks kohale ja et akuplokk oleks kindlalt fikseeritud asendis, enne kui tööd alustate.

### TERA KIIRUSE REŽIIMI VALIMINE (Joonis M)

- **Režiim 2** on lõiketera suure kiirusega režiim suure tõstevõime saavutamiseks, et parandada imemisjõudu ja lõikamise efektiivsust.
- **Režiim 1** on parim tasakaal efektiivsuse ja kasutusaja vahel.
- **ECO- režiim** tagab madalaima mürataseme ja teie aku pikima tööaja.

**MÄRKUS:** Lõiketera kiirust ei saa töö ajal reguleerida. Muudatus jõustub alles pärast mootori seiskamist ja uuesti käivitamist.

ET

Valige režiim 2, 1 või ECO, vajutades järjestikku lõiketera kiiruse režiimi nuppu.

**MÄRKUS:** Lõiketera kiiruse vaikerežiim on režiim 1.

M-1	Terakiiruse märgutuli	M-2	Terakiiruse režiiminupp
-----	-----------------------	-----	-------------------------

## NIIDUKI KÄIVITAMINE/PEATAMINE

Toodet võib kasutada vihmäs.

**⚠ HOIATUS!** Kõigi muruniidukite kasutamisel on oht, et teie või kellegi teise silma paiskub võõrkehi, mis võivad põhjustada tõsiseid silmakahjustusi. Kandke niiduki kasutamisel või remontimisel/reguleerimisel alati kaitseprille.

**MÄRKUS:** Pärast niiduki välja lülitamist pöörleb tera veel mõne sekundi. Laske mootoril/teral pöörlemine lõpetada, enne kui seadet uuesti käivitada püüate. Ärge lülitage niidukit kiiresti sisse/välja.

**⚠ HOIATUS!** Peatage tera, kui muruniidukit tuleb transportimiseks kallutada, kui ületate muud ala kui muru ja kui transpordite muruniidukit niidetavale alale ja sealt tagasi.

**⚠ HOIATUS!** Ärge kallutage muruniidukit mootori sisselülitamisel, välja arvatud juhul, kui muruniidukit tuleb käivitamiseks kallutada. Sellisel juhul ärge kallutage seadet rohkem kui hädavajalik ja tõstke ainult seadme operaatorist kõige kaugemale jäävat osa.

Enne kasutamist kontrollige alati visuaalselt, et tera ja tera polt ei oleks kulunud ega kahjustatud. Ühtlase töötulemuse huvides vahetage terasid ja polte alati komplektina.

### Kontrollige lõiketerade vaba liikumist

- Blokeerumise vältimiseks hoidke lõiketera ja lõiketerade kate puhtad. Eemaldage rohulõiked, lehed, mustus ja muu kogunenud praht enne ja pärast iga kasutamist.
- Kui lõiketera blokeerub, peatage niiduk ja eemaldage aku, seejärel eemaldage mistahes muru ja lehed veovõllist ja mootori ventilaatorist või nende ümbert (ärge kasutage vett). Pühkige niiduk niiske lapiga puhtaks.

**HOIATUS:** Ärge püüdke alistada toitenuppu ja tera pöörlemise päästiku tööd.

**MÄRKUS:** Mootorit ei saa käivitada, kui käepide ei ole lukustatud ühte kolmest toosasendist.

## Niiduki käivitamine (Joonised N1 ja N2)

1. Kinnitage aku niiduki külge ja sulgege akupesaga kate.
2. Vajutage armatuurlaua valgustamiseks toitenuppu ja niiduki olekuinäidik koos lõiketera kiiruse indikaatoriga 1 süttib.
3. Soovitud kiiruse valimiseks vajutage tera kiiruse režiiminuppu.
4. Vajutage ja hoidke toitenuppu all.
5. Kui toitenupp on alla vajutatud, tõmmake lõiketera pöörlemise päästiku vastu käepidid ja vabastage toitenupp.

## Niiduki peatamine (Joonis N3)

1. Laske tera pöörlemise päästik lahti.
2. Automaatse pidurdusmehhanismi elektriline pidur peatab lõiketera pöörlemise 3 sekundi jooksul pärast lõiketera pöörlemise päästiku vabastamist.

## MUUDETAVA KIIRUSEGA ISELIIKUMISSÜSTEEM (Joonis P)

Niidukil on muudetava kiirusega iseliikumissüsteem. See iseliikumissüsteem on laba pöörlemisest sõltumatu.

### Iseliikumissüsteemi kasutamiseks ilma tera pöörlemiseta

1. Vajutage armatuurlaua valgustamiseks toitenuppu.
2. Keerake kergelt iseliikumise kiiruse valimisnuppu ettepoole, kuni on kuulda klõpsatust, seejärel vajutage iseliikumise päästikule (päästikutetele). On kaks iseliikumise päästikut, vajutage ühte neist, et käivitada iseliikumise funktsioon.

Seejärel vabastage päästik iseliikumissüsteemi väljalülitamiseks.

P-1	Iseliikumise kiiruse reguleerimisnupp	P-2	Iseliikuvast süsteemi päästik
-----	---------------------------------------	-----	-------------------------------

## LED-ESITULED (Joonis Q)

Esitulede sisselülitamiseks vajutage LED-esitulede nuppu. Esituled tagavad ereda valguse niiduki ees.

Esitulede väljalülitamiseks vajutage uuesti nuppu.

ET

## NIIDUKI OLEKU MÄRGUTULED (Joonis A2)

Armatuurilaulal olev niiduki oleku märgutuli näitab niiduki tööolekut.

Märgutuli	Kirjeldus	Tähendus	Toiming
	Pidev roheline	Niiduk töötab korralikult.	Pole vaja midagi teha.
	Vilkuv roheline	Küljerelsid pole täielikult välja lükatud.	Seisake niiduk ja veenduge, et küljerelsid on täiesti välja lükatud.
		Käepide pole tööasendisse lukustatud.	Seisake niiduk ja veenduge, et käepide on lukustatud ühte tööasenditest.
	Vilkuv punane	Madal aku laetuse tase.	Seisake niiduk ja vahetage akuplokk.
	Pidev oranž	Niiduk on ülekuumenenud.	Vabastage lõiketera pöörlemise päästik ja oodake, kuni niiduki temperatuur langeb alla 80 °C. Vt allpool jaotist " <b>MASINA KAITSE KÕRGE TEMPERAATUURI EEST</b> ".
	Vilkuv oranž	Niiduk on ülekoormatud.	<ol style="list-style-type: none"> <li>1. Esmalt eemaldage aku, seejärel kontrollige, kas korpuse alla on kogunenud niidetud rohtu. Vajadusel puhastage.</li> <li>2. Aeglustage niitmisel sammu.</li> <li>3. Suurendage lõikekõrgust.</li> <li>4. Kui ülaltoodud lahendused ei toimi, võtke ühendust EGO klienditeenindusega.</li> </ol> Vt allpool jaotist " <b>NIIDUKI KAITSE ÜLEKOORMUSE EEST</b> ".
	Punane ja roheline tuli vilguvad vaheldumisi	Niiduki elektroonika viga.	Küsi abi EGO hoolduskeskusest.

ET

### NIIDUKI KÕRGE TEMPERAATUURI KAITSE

Kui niiduki temperatuur ületab töötamise ajal 90 °C, lülitab temperatuurikaitseahel niiduki kohe välja, et vältida ülekuumenemisest tingitud kahjustusi.

Niiduki oleku märgutuli põleb ühtlaselt oranžilt. Vabastage tera pöörlemise päästik ja oodake, kuni ülekuumenenud niiduk jahtub ja oleku märgutuli muutub roheliseks, seejärel taaskäivitage niiduk.

### NIIDUKI ÜLEKOORMUSE KAITSE

Ülekoormuse ennetamiseks ärge üritage niita korraga liiga suurt kogust. Aeglustage oma sammu või tõstke lõikekõrgust.

Niidukil on sisseehitatud ülekoormuse kaitse. Ülekoormuse korral mootor seiskub ja niiduki oleku märgutuli armatuurilaulal vilgub oranžilt.

## HOOLDUS

**⚠ HOIATUS!** Tõsiste kehavigastuste vältimiseks lülitage niiduk enne puhastamist, hooldust või transportimist alati välja, eemaldage aku ja veenduge, et kõik liikuvad osad on täielikult seiskunud.

**⚠ HOIATUS!** Teostage masina regulaarseid hooldusi.

**⚠ HOIATUS!** Peatage masin ja eemaldage aku, veendumaks et kõik liikuvad osad on pärast võõrkehaga kokkupõrget täielikult seiskunud, ning enne masina taaskäivitamist ja kasutamist kontrollige masinat kahjustuste suhtes ja tehke vajalikud remonditoimingud.

**⚠ HOIATUS!** Peatage masin ja eemaldage aku, veendumaks et kõik liikuvad osad on pärast võõrkehaga kokkupõrget täielikult seiskunud, kui masin hakkab ebanormaalselt vibreerima, seejärel kontrollige kohe kahjustusi, asendage või parandage kõik kahjustatud osad ning kontrollige ja pingutage lahtised osad.

**⚠ HOIATUS!** Hooldusel ja remontimisel kasutage vaid originaalvaruosi. Mis tahes muude osade kasutamine võib põhjustada ohtlikke olukordi või toodet vigastada. Turvalisuse ja vastupidavuse tagamiseks peab kõiki parandustööd läbi viima kvalifitseeritud hooldustehnik.

### NIIDUKI PUHASTAMINE

Niiduki alumist osa tuleks pärast iga kasutuskorda sinna kogunenud rohulibledest, lehtedest, porist ja muust prahist puhastada.

Eemaldage ajamivõlli ja mootori ventilatori ümber kogunenud muru ja lehed. Pühkige niiduk niiske lapiga puhtaks.

### TERAKOMPLEKTI ASENDAMINE

(Joonis R1, R2, R3)

**⚠ HOIATUS!** Eemaldage alati aku ja murukott.

**⚠ HOIATUS!** Kandke alati kaitsekindaid.

ET

**MÄRKUS:** Enne terakomplekti paigaldamist puhastage põhjalikult veovõlli piirkond ja masina alumine külg.

1. Pöörake niiduk tagurpidi.
2. Eemaldage/paigaldage lõiketera dünamomeetrilise võtme ja kahe metallvarda abil, nagu on näidatud joonisel.
3. Tera märgistatud külg peab jääma väljapoole.

### NIIDUKI HOIUSTAMINE (Joonised S1 ja S2)

- Eemaldage akuplokk niiduki küljest ja hoidke seda jahedas, kuivas ja puhtas kohas. Ärge hoidke niidukit korrosiivsete ainete (nt väetised või kivisool) läheduses.
- Enne hoiustamist tühendage murukott.
- Laske niidukil alati enne hoiustamist maha jahtuda.
- Puhastamine ja hooldus enne hoiustamist.
- Hoidke niidukit kinnises ja suletud ruumis, mis on jahe, kuiv ja lastele kättesaamatu.
- Ärge katke muruniidukit kilega. Kilekatted koguvad niiduki ümber niiskust, mis põhjustab roostet ja korrosiooni.
- Niidukit saab hoiustada maas või püstises asendis (Joonised S1 ja S2).

**⚠ HOIATUS!** Kui niiduk hakkab püstisest asendist ära vajuma, võivad sellega kaasneda niiduki kahjustumine või inimestele põhjustatud vigastused. Hoidke püstises asendis hoiustatud niidukit alati kindlalt maapinnal ja lastele kättesaamatus kohas. Võimalusel hoiustage niidukit tasapinnaliselt.

### KESKKONNAKAITSE



Elektriseadmeid ei tohi visata sorteerimata olmeprügi hulka; selliseid jäätmeid tuleb koguda eraldi.

Olemasolevate kogumissüsteemide kohta saate teavet kohalikest omavalitsusest.

Kui elektriseadmed maetakse maa sisse või viiakse prügimäele, võivad ohtlikud ained põhjavette lekkida ja toiduahelasse sattuda ning teie tervist ja heaolu kahjustada.

## TÕRKEOTSING

PROBLEEM	PÕHJUS	LAHENDUS
Niiduk või iseliikumisfunktsioon ei käivitu.	<ul style="list-style-type: none"> <li>■ Aku on tühi.</li> </ul>	<ul style="list-style-type: none"> <li>■ Laadige akut.</li> </ul>
	<ul style="list-style-type: none"> <li>■ Aku ei ole akupesasa nõuetekohaselt sisestatud.</li> </ul>	<ul style="list-style-type: none"> <li>■ Sisestage aku akupesasse, kuni kuulete klõpsatust.</li> </ul>
	<ul style="list-style-type: none"> <li>■ Käepide ei ole tööasendisse lukustatud ja niiduki oleku märgutuli vilgub roheliselt.</li> </ul>	<ul style="list-style-type: none"> <li>■ Seisake niiduk ja veenduge, et käepide on lukustatud ühte tööasenditest.</li> </ul>
	<ul style="list-style-type: none"> <li>■ Muruniiduki alla on kogunenud liiga palju muru ja prahti.</li> </ul>	<ul style="list-style-type: none"> <li>■ Puhastage niiduki alus ja veenduge, et terakomplekt saab vabalt liikuda.</li> </ul>
Niiduk löikab ebaühtlaselt.	<ul style="list-style-type: none"> <li>■ Terakomplekt on nüri.</li> </ul>	<ul style="list-style-type: none"> <li>■ Teritage terakomplekti või vahetage see välja.</li> </ul>
	<ul style="list-style-type: none"> <li>■ Muru lõikekõrgus pole korrektselt seadistatud.</li> </ul>	<ul style="list-style-type: none"> <li>■ Liigutage seadme kõrgus kõrgemale seadistusele.</li> </ul>
	<ul style="list-style-type: none"> <li>■ Terakomplekt on valesti paigaldatud.</li> </ul>	<ul style="list-style-type: none"> <li>■ Paigaldage terakomplekt tagasi, järgides käesoleva juhendi jaotises "<b>TERAKOMPLEKTI ASENDAMINE</b>" antud juhiseid.</li> </ul>
	<ul style="list-style-type: none"> <li>■ Tera kiiruse režiim ei ole õigesti seadistatud.</li> </ul>	<ul style="list-style-type: none"> <li>■ Valige õige tera kiiruse režiim.</li> </ul>
Niiduk ei multši korralikult.	<ul style="list-style-type: none"> <li>■ Märja muru tükid jäävad muruniiduki aluse külge kinni.</li> </ul>	<ul style="list-style-type: none"> <li>■ Enne niitmist oodake, et muru kuivaks.</li> </ul>
	<ul style="list-style-type: none"> <li>■ Niiduk on seadistatud nii, et korruga lõigatakse liiga palju muru.</li> </ul>	<ul style="list-style-type: none"> <li>■ Tõstke alust kõrgemale, et niita kõrgemalt.</li> </ul>
	<ul style="list-style-type: none"> <li>■ Tera kiiruse režiim ei ole õigesti seadistatud.</li> </ul>	<ul style="list-style-type: none"> <li>■ Seadke lõiketera kiirus madalamale seadistusele.</li> </ul>

ET

PROBLEEM	PÕHJUS	LAHENDUS
Niiduk peatub niitmise ajal ootamatult.	<ul style="list-style-type: none"> <li>■ Aku on tühi.</li> </ul>	<ul style="list-style-type: none"> <li>■ Laadige akut.</li> </ul>
	<ul style="list-style-type: none"> <li>■ Niiduk on ülekoormatud ja niiduki oleku märgutuli vilgub oranžilt.</li> </ul>	<ul style="list-style-type: none"> <li>■ Kontrollige, kas seadme alla on kogunenud muru ja vajadusel puhastage. Suurendage lõikekõrgust või niitke aeglasemalt.</li> </ul>
	<ul style="list-style-type: none"> <li>■ Muruniiduki alla on kogunenud liiga palju muru ja prahti.</li> </ul>	<ul style="list-style-type: none"> <li>■ Eemaldage niiduki alla kogunenud mass. Suurendage lõikekõrgust või niitke kitsamat riba.</li> </ul>
	<ul style="list-style-type: none"> <li>■ Aku või niiduki vooluahel on liiga kuum. Kui aku on ülekuumenenud, siis niiduki oleku märgutuli kustub. Kui niiduk on ülekuumenenud, põleb niiduki oleku märgutuli ühtlaselt oranžilt.</li> </ul>	<ul style="list-style-type: none"> <li>■ Laske akul jahtuda.</li> </ul>
	<ul style="list-style-type: none"> <li>■ Tera kiiruse režiim ei ole õigesti seadistatud.</li> </ul>	<ul style="list-style-type: none"> <li>■ Seadke lõiketera kiirus madalamale seadistusele.</li> </ul>
	<ul style="list-style-type: none"> <li>■ Niiduki elektroonika veatuli ja niiduki oleku märgutuli vilguvad vaheldumisi punaselt/roheliselt.</li> </ul>	<ul style="list-style-type: none"> <li>■ Võtke ühendust EGO hoolduskeskusega.</li> </ul>
Esineb liigset vibratsiooni.	<ul style="list-style-type: none"> <li>■ Terakomplekt on lahti.</li> </ul>	<ul style="list-style-type: none"> <li>■ Keerake tera polt tugevamalt kinni.</li> </ul>
	<ul style="list-style-type: none"> <li>■ Terakomplekt on tasakaalustamata.</li> </ul>	<ul style="list-style-type: none"> <li>■ Võtke ühendust EGO hoolduskeskusega.</li> </ul>
	<ul style="list-style-type: none"> <li>■ Lõiketera on väändunud.</li> </ul>	<ul style="list-style-type: none"> <li>■ Vahetage tera.</li> </ul>
	<ul style="list-style-type: none"> <li>■ Mootorivõll on paindunud.</li> </ul>	<ul style="list-style-type: none"> <li>■ Võtke ühendust EGO hoolduskeskusega.</li> </ul>
	<ul style="list-style-type: none"> <li>■ Niiduk on seadistatud nii, et korruga lõigatakse liiga palju muru.</li> </ul>	<ul style="list-style-type: none"> <li>■ Tõstke alust kõrgemale, et niita kõrgemalt.</li> </ul>
	<ul style="list-style-type: none"> <li>■ Tera kiiruse režiim ei ole õigesti seadistatud.</li> </ul>	<ul style="list-style-type: none"> <li>■ Seadke lõiketera kiirus madalamale seadistusele.</li> </ul>
Mootor töötab, kuid terakomplekt ei löika muru.	<ul style="list-style-type: none"> <li>■ Terakomplekti polt ei ole pingutatud nõutava pöördemomendiga.</li> </ul>	<ul style="list-style-type: none"> <li>■ Keerake terakomplekt tugevamalt kinni. Tera poldi soovitatav pöördemoment on 50-60 Nm.</li> </ul>
Raskused klambri valimisnupu liigutamisel küljelt küljele.	<ul style="list-style-type: none"> <li>■ Liugukse peale on kogunenud liiga palju murujääke.</li> </ul>	<ul style="list-style-type: none"> <li>■ Puhastage muruniiduki korpust pärast iga kasutuskorda.</li> </ul>

ET

## GARANTII

### EGO GARANTIIPÕHIMÕTTED

Täielikud EGO garantiitingimused leiate veebilehelt [egopowerplus.eu](http://egopowerplus.eu).

# 232

56-VOLDISE LIITIUMIOONAKUGA NIIDUK— LM2230E-SP



## ПРОЧИТАЙТЕ ВСІ ІНСТРУКЦІЇ!

**Призначення.** Виріб призначений для косіння газонів уручну:

- Використовувати тільки для косіння сухої трави. Не косіть мокру траву.
- Не використовуйте її для інших цілей.

**⚠ ПОПЕРЕДЖЕННЯ.** Перш ніж користуватися цією машиною, обов'язково ознайомтеся з усіма інструкціями з безпеки, наведеними в цьому посібнику користувача, зокрема з усіма символами попереджень, такими як «**НЕБЕЗПЕКА**», «**ПОПЕРЕДЖЕННЯ**» та «**ЗАСТЕРЕЖЕННЯ**». Недотримання наведених нижче вказівок може спричинити ураження електричним струмом, пожежу та/або серйозні травми.

## СИМВОЛИ, ЩО СТОСУЮТЬСЯ БЕЗПЕКИ



Попередження щодо безпеки



Працюючи з цим виробом, завжди носіть засоби захисту органів слуху та закриті захисні окуляри чи відкриті захисні окуляри з бічними щитками або повнопрофільну захисну маску.



Стережіться відкинутих предметів – не підпускайте сторонніх.



Тримайте руку подальше



Гарантований рівень звукової потужності.



Цей виріб відповідає чинному законодавству Великої Британії.

IPX4 Захист від бризок води

mm Міліметр

Постійний струм



Щоб зменшити ризик травми, користувач повинен ознайомитися з інструкцією користувача перед використанням цього виробу.



Перед регулюванням або чищенням вимкніть та вийміть знімний акумулятор (або пристрій відключення).



Тримайте руки та ноги подальше від лез



Не дивіться на лампу, що працює.



Цей виріб відповідає чинним директивам ЄС.



Відходи електричних виробів не слід викидати разом із побутовим сміттям. Зверніться до авторизованого пункту переробки.


V Вольт

cm Сантиметри

kg Кілограми

**UK**

## ТЕХНІЧНІ ХАРАКТЕРИСТИКИ

Напруга	56 В 	
Режим швидкості леза	2	
	1	
	ЕКО	
Положення висоти зрізання	8	
Налаштування висоти різання	25 мм/33 мм/43 мм/ 54 мм/66 мм/79 мм/ 92 мм/105 мм	
Ширина різання	55 см	
Об'єм мішка для трави	85 л	
Вага косарки (з мішком для трави й акумулятором BA6720T)	37 кг	
Модель набору лез	AB2212D-E	
Діапазон рекомендованих робочих температур	0°C - 40°C	
Діапазон рекомендованих температур зберігання	-20°C - 70°C	
Виміряна звукова потужність рівень $L_{WA}$	95 дБ(А) K=0,7 дБ(А)	
Рівень звукового тиску на місці вуха оператора $L_{PA}$	83 дБ(А) K=3 дБ(А)	
Гарантований рівень звукової потужності $L_{WA}$ (вимірюється відповідно до 2000/14/ЄС)	96 дБ(А)	
Оцінка вібрації $a_{Hv}$ :	Ліва ручка	1,35 м/с <sup>2</sup> K=1,5 м/с <sup>2</sup>
	Права ручка	1,35 м/с <sup>2</sup> K=1,5 м/с <sup>2</sup>

- Вказане загальне значення вібрації виміряне за стандартним методом тестування та може використовуватися для порівняння однією машиною з іншою.
- Заявлене сумарне значення вібрації може також використовуватись для попередньої оцінки впливу.

**⚠ ПОПЕРЕДЖЕННЯ.** Емісія вібрації під час фактичного використання машини може відрізнятись від заявленої величини, у якій використовується машина. Щоб захистити оператора, користувач повинен одягати рукавички та захисні навушники в реальних умовах використання.

**⚠ ПОПЕРЕДЖЕННЯ.** Необхідність визначення заходів безпеки для захисту оператора, що ґрунтуються на оцінці впливу в реальних умовах використання (з урахуванням усіх частин робочого циклу, таких як час, коли інструмент вимкнено та коли він працює на холостому ході на додаток до часу роботи).

## ПАКУВАЛЬНИЙ СПИСОК (РИС. A1 I A2)

НАЗВА ДЕТАЛІ	КІЛЬКІСТЬ
Газонокосарка	1
Мішок для трави	1
Каркас мішка для трави	1
Посібник користувача	1

## ОПИС

### ОЗНАЙОМЛЕННЯ З ГАЗОНОКОСАРКОЮ (Рис. A1 i A2)

1. Ручка
2. Бічна рейка
3. Затискач рукоятки
4. Задні випускні дверцята
5. Ручка підйому
6. Кришка батарейного відсіку
7. Світлодіодні фари
8. Ручка вибору затискача
9. Переднє колесо
10. Ручка регулювання висоти різання
11. Дека
12. Отвір для входу повітря
13. Заднє колесо
14. Важіль швидкого регулювання
15. Мішок для трави
16. Задній щит
17. Тригер обертання леза
18. Тригер самохідної системи
19. Ручка регулювання швидкості самохідної системи

**UK**

20. Кнопка перемикання швидкості обертання леза
21. Кнопка живлення
22. Кнопка світлодіодних фар
23. Значок світлодіодних фар
24. Індикатор світлодіодних фар
25. Індикатор стану косарки
26. Значок леза
27. Індикатор режиму швидкості леза
28. Значок стану газонокосарки

2. Підніміть ручку зі складеного положення, потім відпустіть важіль. Акуратно рухайте рукоятку вгору, доки не почувєте й не відчуєте, що фіксатор закріплено в одному з різних положень, показаних на рис. В2.

B2-1	Заблоковане положення для зберігання	B2-2	Положення для кріплення/ видалення мішка для трави
B2-3	Верхнє робоче положення	B2-4	Середнє робоче положення
B2-5	Нижнє робоче положення		

3. Повністю висуньте бічні рейки та надійно закрийте затискач-фіксатор ручки (рис. В3).

**ПРИМІТКА.** Мотор не зможе запуститися, якщо:

- Бічні рейки повністю висунуто.
- Зелений затискач ручки надійно закрито.
- Ручка зафіксована в одному з трьох робочих положень.

### УСТАНОВЛЕННЯ МІШКА ДЛЯ ТРАВИ (Рис. С1, С2, С3)

Перед установленням перевірте мішок для трави, щоб переконатись у відсутності пошкоджень.

Установіть мішок для трави, як показано на рисунку.

### РУЧКА ВИБОРУ ЗАТИСКАЧА (Рис. D)

Установіть ручку вибору затискача в будь-яке з п'яти положень, щоб досягти бажаного результату косіння.

За допомогою ручки можна відрегулювати розсувні дверцята від повністю відкритого положення «МІШОК» до повністю закритого положення «МУЛЬЧА».

Регулюючи ручку вибору затискача, можна задовольнити різні умови косіння.

**Щоб змінити положення ручки,** витягніть її з фіксатора та встановіть у потрібне положення.

**ПРИМІТКА.** Якщо ви відчуваєте сильний опір під час переміщення ручки вибору затискача з боку в бік, можливо, на верхній частині розсувних дверцят накопичилася надмірна кількість трави. Очищайте траву під декою косарки після кожного використання.

## ЗБИРАННЯ

**⚠ ПОПЕРЕДЖЕННЯ.** Якщо якісь частини пошкоджені або відсутні, не користуйтеся цим інструментом, доки вони не будуть замінені. Використання цього виробу з пошкодженими або відсутніми деталями може призвести до серйозних травм.

**⚠ ПОПЕРЕДЖЕННЯ.** Щоб запобігти випадковому запуску, що може спричинити серйозні травми, завжди виймайте акумуляторну батарею з машини під час монтажу деталей.

**⚠ ПОПЕРЕДЖЕННЯ.** Не намагайтесь вдосконалити цю машину або застосувати приладдя, не рекомендоване для цієї косарки. Кожна така зміна чи переробка є фактом неправильного користування, створює небезпечні умови, що призводять до серйозних травм.

### РОЗПАКУВАННЯ

- Вийміть усі аксесуари з коробки.
- Візьміть одночасно за передню частину косарки та ручку підйому, щоб обережно підняти косарку та вийняти її з коробки.

### РЕГУЛЮВАННЯ СКЛАДАНОЇ РУЧКИ

**⚠ ПОПЕРЕДЖЕННЯ.** Не намагайтесь запустити косарку, доки рукоятка не буде зафіксована в одному з трьох попередньо встановлених робочих положень: **ВЕРХНЄ РОБОЧЕ ПОЛОЖЕННЯ, СЕРЕДНЄ РОБОЧЕ ПОЛОЖЕННЯ** та **НИЖНЄ РОБОЧЕ ПОЛОЖЕННЯ**.

1. Натисніть і утримуйте важіль швидкого регулювання, щоб відпустити рукоятку із **ЗАБЛОКОВАНОГО ПОЛОЖЕННЯ ЗБЕРІГАННЯ** (рис. В1).

B1-1	Важіль швидкого регулювання
------	-----------------------------

D-1	Розсувні дверцята	D-2	Положення «МУЛЬЧА»
D-3	Ручка вибору затискача	D-4	Положення «МІШОК»

## ПОЛОЖЕННЯ РОЗСУВНИХ ДВЕРЦЯТ

Розсувні дверцята можна розташувати так, щоб отримати різні результати косіння. Щоб дізнатися різницю між положеннями, установіть мішок для трави й почніть косити, повернувши ручку вибору затискача до упору в положення «МІШОК». Перевірте зовнішній вигляд газону. Якщо перевести ручку в положення «МУЛЬЧА», то більше трави буде викидатися назад на газон. Відрегулюйте ручку вибору затискача до досягнення бажаного результату. Гібридний режим пакування/мульчування забезпечить чистий і тонкий зріз.

- Коли ручка вибору затискача в положенні «МІШОК», розсувні дверцята повністю відкриті, уся скошена трава потрапляє в мішок (рис. E1).
- Коли ручка вибору затискача перебуває в гібридному положенні пакування/мульчування, розсувні дверцята частково закриті. Частина обрізків потрапляє в мішок, а частина буде дрібно замульчована та викинута на землю (рис. E2).
- Коли ручка вибору затискача перебуває в положенні «МУЛЬЧА», розсувні дверцята повністю закриті. Усі обрізки будуть дрібно замульчовані та викинуті на землю (рис. E3).

## БІЧНЕ ВИВАНТАЖЕННЯ

Щоб присіднати/зняти жолоб для бічного вивантаження (продається окремо)

**ПРИМІТКА.** Перш ніж використовувати жолоб для бічного вивантаження, переконайтеся, що нижня сторона деки чиста.

- Вийміть мішок для трави та встановіть ручку вибору затискача в положення «МІШОК».
- Установіть бічний випускний жолоб у косарку, як показано на рис. F.

## ПОВНЕ ПАКУВАННЯ

Установлення/зняття мішка для трави

**⚠ ПОПЕРЕДЖЕННЯ.** У звичайних умовах експлуатації матеріал мішка для трави може зношуватися. Щоб зменшити ризик виникнення травми, часто перевіряйте мішок для трави та замініть, якщо є ознаки зносу або пошкодження. Використовуйте лише мішки для трави, виготовлені для цієї косарки.

**ПРИМІТКА.** Перед використанням мішка для трави переконайтеся, що нижня сторона деки чиста.

- Зніміть бічний випускний жолоб і встановіть ручку вибору затискача в положення «МІШОК».
- Установіть мішок для трави в косарку, як показано на рис. G.

## ПОВНЕ МУЛЬЧУВАННЯ (Рис. H)

- Зніміть мішок для трави.
- Відпустіть задні випускні дверцята.
- Установіть ручку вибору затискача в положення «МУЛЬЧА».

## ГІБРИДНИЙ РЕЖИМ ПАКУВАННЯ/МУЛЬЧУВАННЯ (Рис. J)

- Прикріпіть мішок для трави.
- Установіть ручку вибору затискача в одне з трьох положень гібридного режиму пакування/мульчування.

**ПРИМІТКА.** Коли ручка вибору затискача переміщується в положення «МУЛЬЧА», більше трави буде викинута назад на газон.

Коли ручка вибору затискача переміщується в положення «МІШОК», більше трави буде виводитися через задній випускний отвір у мішок для трави.

## РЕГУЛЮВАННЯ ВИСОТИ РІЗАННЯ (Рис. K)

Під час регулювання висоти різання тримайте ноги подалі від деки.

Косарка може бути встановлена на 8 положень із висотою різання від 25 мм до 105 мм. Маркування вказує на вибрану висоту різання.

Виберіть правильну висоту різання відповідно до типу та стану трави, яку слід скосити.

1. Вимкніть косарку та дочекайтеся повної зупинки леза.
2. Вийміть акумуляторну батарею.
3. Витягніть важіль регулювання висоти різання з фіксатора та встановіть його в потрібне положення.

**ПРИМІТКА.** Щоб уникнути перевантаження двигуна, не встановлюйте занадто низьку висоту різання у високій траві. Якщо швидкість двигуна починає зменшуватися, збільште висоту різання.

## ЕКСПЛУАТАЦІЯ

Завжди виймайте акумуляторну батарею з виробу, коли збираєте деталі, виконуєте регулювання, очищення, або коли виріб не використовується. Виймання акумулятора запобігає випадковому запуску, що може спричинити серйозні травми.

## УСТАНОВЛЕННЯ І ЗНЯТТЯ АКУМУЛЯТОРА (Рис. L)

Використовуйте лише з акумуляторними батареями та зарядними пристроями EGO, переліченими на рис. А3.

Щоб отримати додаткові відомості, див. інструкції відповідних акумуляторів і зарядних пристроїв.

### Повністю зарядіть перед першим використанням

1. Підніміть кришку батарейного відсіку, піднявши передню частину кришки.
2. **Щоб установити**, вирівняйте виступи на акумуляторі з кріпильними отворами та натисніть на акумуляторну батарею, доки не почуєте «кляцання».
3. **Щоб від'єднати**, натисніть кнопку звільнення акумулятора та витягніть акумуляторну батарею.
4. Закрийте кришку батарейного відсіку.

**ПРИМІТКА.** Перед використанням переконайтеся, що защіпка на косарці стала на місце і акумулятор надійно прикріплений до косарки.

## ВИБІР РЕЖИМУ ШВИДКОСТІ ОБЕРТАННЯ ЛЕЗА (Рис. M)

- **Режим 2** – це режим високої швидкості обертання лева, що забезпечує високу продуктивність підйому для збільшення сили всмоктування або продуктивності різання.
- **Режим 1** – найкращий баланс між продуктивністю та часом роботи.
- **Режим ЕКО** забезпечує найнижчий рівень шуму та найдовший час роботи від акумулятора.

**ПРИМІТКА.** Під час роботи швидкість лева не регулюється. Зміна набуде чинності тільки після того, як двигун буде зупинено й запущено знову.

Виберіть один із режимів **2, 1** або **ЕКО**, послідовно натискаючи кнопку режиму швидкості лева.

**ПРИМІТКА.** Режим швидкості лева за замовчуванням – 1.

M-1	Індикатор швидкості лез	M-2	Кнопка перемикачання швидкості обертання лева
-----	-------------------------	-----	---

## ЗАПУСК/ЗУПИНКА КОСАРКИ

Вибір можна використовувати під дощем.

**⚠ ПОПЕРЕДЖЕННЯ.** Використання газонокосарки може призвести до потраплення сторонніх предметів в очі, що може спричинити серйозне пошкодження

очей. Завжди носіть захисні окуляри під час роботи косарки або під час виконання будь-яких регулювань чи ремонту косарки.

**ПРИМІТКА.** Ніж продовжуватиме обертатись протягом кількох секунд після вимкнення косарки. Дайте мотору/лезу зупинити обертання, перш ніж запустити його знову. Не вимикайте і не вмикайте косарку швидко.

**⚠ ПОПЕРЕДЖЕННЯ.** Зупиніть лезо, якщо пристрій газонокосарку нахилити для транспортування, перетинаючи інші поверхні, крім трави, а також транспортуючи газонокосарку на ділянку для косіння та з цієї ділянки.

**⚠ ПОПЕРЕДЖЕННЯ.** Не нахиляйте газонокосарку під час увімкнення мотора, за винятком випадків, коли газонокосарка має бути нахилена для запуску. У цьому випадку не можна нахилити більше, ніж це абсолютно необхідно, і піднімати тільки віддалену від оператора частину.

Перед використанням завжди візуально оглядайте лезо та болт лева, щоб переконатися, що вони не зношені й не пошкоджені. Замінійте зношені або пошкоджені леза та болти комплектом для збереження балансу.

### Перевірте, чи лезо не заблоковано

- Щоб уникнути засмічення, тримайте в чистоті лезо та деку газонокосарки. Видаляйте обрізки трави, листя, бруд і будь-яке інше сміття, що скупчилося, до і після кожного використання.
- У разі засмічення зупиніть газонокосарку та вийміть акумулятор, а потім видаліть траву й листя на приводному валі та вентиляторі двигуна або навколо них. Протирайте косарку вологою тканиною.

**ЗАСТЕРЕЖЕННЯ.** Не намагайтеся обійти роботу кнопки живлення та тригера обертання лева.

**ПРИМІТКА.** Мотор не може бути запущений, якщо ручка не зафіксована в одному з трьох робочих положень.

## Запуск газонокосарки (Рис. N1 і N2)

1. Установіть акумулятор у газонокосарку та закрийте кришку батарейного відсіку.
2. Натисніть кнопку живлення, щоб увімкнути приладну панель, загориться індикатор стану косарки – індикатор швидкості лева 1.
3. Натисніть кнопку режиму швидкості лева, щоб вибрати потрібну швидкість.
4. Натисніть і утримуйте кнопку живлення.
5. Утримуючи кнопку живлення натиснутою, потягніть тригер обертання лева до ручки та відпустіть кнопку живлення.

UK

## Зупинка косарки (Рис. N3)

1. Повністю відпустіть тригер обертання леза.
2. Електричне гальмо в механізмі автоматичного гальмування зупинить обертання леза протягом 3 секунд після того, як тригер обертання леза відпущено.

## САМОХІДНА СИСТЕМА ЗІ ЗМІННОЮ ШВИДКІСТЮ (Рис. P)

Косарка обладнана самохідною системою зі змінною швидкістю. Ця самохідна система не залежить від обертання леза.

### Робота самохідної системи без обертання леза

1. Натисніть кнопку живлення, щоб підсвітити приладну панель.
2. Злегка поверніть кнопку швидкості самохідної системи вперед, доки не почуєте клацання, а потім натисніть тригер(и) самохідної системи. Є два тригери самохідної системи, натисніть будь-який із них, щоб запустити самохідну систему.

Щоб вимкнути самохідну систему, відпустіть тригер самохідної системи.

P-1	Ручка регулювання швидкості самохідної системи	P-2	Тригер самохідної системи
-----	--	-----	---------------------------

## СВІТЛОДІОДНІ ФАРИ (Рис. Q)

Щоб увімкнути фари, натисніть кнопку світлодіодних фар. Фари забезпечують яскраве освітлення ділянки перед косаркою.

Щоб вимкнути фари, натисніть кнопку ще раз.

## ІНДИКАТОРИ СТАНУ КОСАРКИ (РИС. A2)

Індикатор стану косарки на приладній панелі показує робочий стан косарки.

Індикатор	Опис	Значення	Дія
	Світлиться зеленим	Косарка працює належним чином.	Не потрібно виконувати жодних дій.
	Блимає зеленим	Бічні рейки не висунуто повністю.	Зупиніть косарку і переконайтеся, що бічні напрямні повністю висунуто.
		Ручка не заблокована в робочому положенні.	Зупиніть газонокосарку та переконайтеся, що ручка зафіксована в одному з трьох робочих положень.
	Блимає червоним	Низький заряд акумулятора.	Вимкніть косарку і зарядіть акумулятор.
	Світлиться оранжевим	Косарка перегрілася.	Відпустіть засувний перемикач, зачекайте, поки температура косарки не опуститься нижче 80 °С. Див. розділ «ЗАХИСТ КОСАРКИ ВІД ВИСОКИХ ТЕМПЕРАТУР» нижче.

UK

Індикатор	Опис	Значення	Дія
	Блимає оранжевим	Косарка перевантажена.	<ol style="list-style-type: none"> <li>1. Вийміть акумулятор, а потім перевірте, чи не накопичилася трава під декою. Почистьте за необхідності.</li> <li>2. Сповільнійте крок під час косіння.</li> <li>3. Збільште висоту зрізання.</li> <li>4. Якщо наведені вище рішення не допомогли, зверніться до служби підтримки клієнтів EGO.</li> </ol> Див. розділ «ЗАХИСТ КОСАРКИ ВІД ПЕРЕВАНТАЖЕННЯ» нижче.
	Поперемінно блимає червоним і зеленим	Помилка електроніки косарки.	Зверніться до клієнтської служби EGO.

### ЗАХИСТ КОСАРКИ ВІД ВИСОКИХ ТЕМПЕРАТУР

Якщо температура косарки перевищуватиме 90 °C під час роботи, схема захисту від перегріву негайно вимкне косарку для запобігання пошкодженню внаслідок перегріву.

Індикатор стану косарки світиться оранжевим кольором. Відпустіть тригер обертання леза та зачекайте, доки перегріта косарка охолоне, а індикатор стану стане зеленим, після чого перезапустіть косарку.

### ЗАХИСТ КОСАРКИ ВІД ПЕРЕВАНТАЖЕННЯ

Щоб запобігти перевантаженню, не намагайтесь одночасно видаляти занадто багато трави. Уповільніть крок або збільште висоту різання.

Ваша косарка має вбудований захист контуру від перевантаження. Коли косарка перевантажена, мотор зупиняється, а індикатор стану косарки на панелі блимає оранжевим.

## ОБСЛУГОВУВАННЯ

**⚠ ПОПЕРЕДЖЕННЯ.** Щоб уникнути серйозних травм, завжди вимикайте косарку, виймайте акумулятор і перевіряйте, чи всі рухомі частини повністю зупинилися, перед чищенням, виконанням будь-якого технічного обслуговування або транспортуванням косарки.

**⚠ ПОПЕРЕДЖЕННЯ.** Завжди регулярно проводьте технічне обслуговування машини.

**⚠ ПОПЕРЕДЖЕННЯ.** Зупиніть машину та вийміть акумуляторну батарею, щоб переконатися, що всі рухомі частини повністю зупинилися після удару

об сторонній предмет, а також оглянути машину на наявність пошкоджень і виконати ремонт перед тим, як перезапустити та експлуатувати машину.

**⚠ ПОПЕРЕДЖЕННЯ.** Зупиніть машину та вийміть акумуляторну батарею, щоб переконатися, що всі рухомі частини повністю зупинилися, якщо машина починає вібрувати ненормально, а потім негайно перевірте її на наявність пошкоджень, замініть або відремонтуйте пошкоджені деталі, а також перевірте й затягніть будь-які ослаблені деталі.

**⚠ ПОПЕРЕДЖЕННЯ.** Використовуйте для технічного обслуговування лише ідентичні запчастини. Використання будь-яких інших частин створює небезпеку або може призвести до поломки виробу. Для гарантування безпеки та надійності всі ремонтні роботи повинен проводити кваліфікований технічний спеціаліст.

### ЧИЩЕННЯ КОСАРКИ

Після кожного використання слід очистити нижню частину деки газонокосарки в міру накопичення трави, листя, бруду або іншого сміття.

Видаліть накопичену траву та листя на приводному валі та вентиляторі мотора або навколо них. Протрирайте косарку вологою тканиною.

### ЗАМІНА НАБОРУ ЛЕЗ (РИС. R1, R2, R3)

**⚠ ПОПЕРЕДЖЕННЯ.** Завжди виймайте акумулятор і мішок для трави.

**⚠ ПОПЕРЕДЖЕННЯ.** Завжди надягайте захисні рукавиці.

UK

**ПРИМІТКА.** Перед установленням набору лез ретельно очистьте область приводного вала та нижню частину машини.

1. Переверніть косарку догори дном.
2. Зніміть/установіть набір лез за допомогою динамометричного ключа та двох металевих стрижнів, як показано на рисунку.
3. Надрукованою стороною леза назовні.

### ЗБЕРІГАННЯ КОСАРКИ (РИС. S1 I S2)

- Вийміть акумуляторну батарею з косарки та зберігайте її в прохолодному, сухому та чистому місці. Не зберігайте її поруч із корозійними матеріалами, такими як добрива або кам'яна сіль.
- Спорожніть травозбірник перед зберіганням.
- Завжди дайте газонокосарці охолонути перед зберіганням.
- Очищення та обслуговування перед зберіганням.
- Зберігайте косарку в критому, замкненому, прохолодному та сухому місці, недоступному для дітей.
- Не накривайте газонокосарку суцільним листом пластику. Пластикові накриття накопичують вологу навколо косарки, що спричиняє іржу та корозію.
- Косарку можна зберігати в горизонтальному або вертикальному положенні (рис. S1 і S2).

**⚠ ПОПЕРЕДЖЕННЯ.** Якщо косарка перевертається з вертикального положення, це може спричинити пошкодження косарки або травмування. Косарка завжди має стояти надійно та бути недоступною для дітей, коли вона перебуває у вертикальному положенні. Якщо це можливо, покладіть її в горизонтальне положення для зберігання.

### ЗАХИСТ ДОВКІЛЛЯ



Не викидайте електричні пристрої разом із несорттованими побутовими відходами. Використовуйте для цього пункти роздільного збирання.

Для отримання інформації стосовно наявних систем збирання відходів зверніться до органів місцевої влади.

Якщо електричний пристрій утилізується на сміттєзвалищі, небезпечні речовини можуть витікати в ґрунтові води та потрапити в харчовий ланцюг, що може зашкодити вашому здоров'ю та самопочуттю.



## УСУНЕННЯ НЕСПРАВНОСТЕЙ

НЕСПРАВНІСТЬ	ПРИЧИНА	ВИРІШЕННЯ
Не вдається запустити косарку або функцію самохідного руху.	<ul style="list-style-type: none"> <li>■ Акумуляторна батарея розряджена.</li> </ul>	<ul style="list-style-type: none"> <li>■ Зарядіть акумуляторну батарею.</li> </ul>
	<ul style="list-style-type: none"> <li>■ Акумуляторна батарея неправильно вставлена в батарейний відсік.</li> </ul>	<ul style="list-style-type: none"> <li>■ Вставте акумулятор у батарейний відсік, доки не почуєте «кляцання».</li> </ul>
	<ul style="list-style-type: none"> <li>■ Ручка не зафіксована в робочому положенні, а індикатор стану косарки блимає зеленим кольором.</li> </ul>	<ul style="list-style-type: none"> <li>■ Зупиніть газонокосарку та переконайтеся, що ручка зафіксована в робочому положенні.</li> </ul>
	<ul style="list-style-type: none"> <li>■ Дека косарки забита травою та сміттям.</li> </ul>	<ul style="list-style-type: none"> <li>■ Очистьте деку косарки та переконайтеся, що набір лез має свободу руху.</li> </ul>
Косарка косить нерівномірно.	<ul style="list-style-type: none"> <li>■ Набір лез затупився.</li> </ul>	<ul style="list-style-type: none"> <li>■ Заточіть або замініть набір лез.</li> </ul>
	<ul style="list-style-type: none"> <li>■ Висота зрізання трави не встановлена належним чином.</li> </ul>	<ul style="list-style-type: none"> <li>■ Збільште висоту деки.</li> </ul>
	<ul style="list-style-type: none"> <li>■ Набір лез встановлено неправильно.</li> </ul>	<ul style="list-style-type: none"> <li>■ Установіть набір лез, дотримуючись вказівок у розділі «<b>ЗАМІНА НАБОРУ ЛЕЗ</b>» цього посібника.</li> </ul>
	<ul style="list-style-type: none"> <li>■ Режим швидкості леза встановлено неправильно.</li> </ul>	<ul style="list-style-type: none"> <li>■ Виберіть відповідний режим швидкості леза.</li> </ul>
Косарка не мульчує правильно.	<ul style="list-style-type: none"> <li>■ Обрізки мокрої трави приклеюються до нижньої поверхні деки.</li> </ul>	<ul style="list-style-type: none"> <li>■ Зачекайте, доки трава не висохне, перед косінням.</li> </ul>
	<ul style="list-style-type: none"> <li>■ Косарка встановлена для зрізання занадто великої кількості трави за раз.</li> </ul>	<ul style="list-style-type: none"> <li>■ Підніміть деку, щоб установити вищу висоту зрізання.</li> </ul>
	<ul style="list-style-type: none"> <li>■ Режим швидкості леза встановлено неправильно.</li> </ul>	<ul style="list-style-type: none"> <li>■ Виберіть меншу швидкість обертання леза.</li> </ul>

НЕСПРАВНІСТЬ	ПРИЧИНА	ВИРІШЕННЯ
Косарка несподівано зупиняється під час косіння.	<ul style="list-style-type: none"> <li>■ Акумуляторна батарея розряджена.</li> </ul>	<ul style="list-style-type: none"> <li>■ Зарядіть акумуляторну батарею.</li> </ul>
	<ul style="list-style-type: none"> <li>■ Косарка перевантажена, і індикатор стану косарки блимає помаранчевим кольором.</li> </ul>	<ul style="list-style-type: none"> <li>■ Перевірте, чи не накопичилася трава під декою, і за потреби почистіть її. Підніміть висоту різання або сповільніть косіння.</li> </ul>
	<ul style="list-style-type: none"> <li>■ Дека косарки забита травою та сміттям.</li> </ul>	<ul style="list-style-type: none"> <li>■ Очистьте дека косарки. Підніміть висоту різання або косіть вужчою смугою.</li> </ul>
	<ul style="list-style-type: none"> <li>■ Акумулятор або схема косарки занадто гарячі. Якщо акумуляторна батарея перегріта, індикатор стану газонокосарки вимикається. Якщо косарка перегріта, індикатор стану косарки світиться оранжевим кольором.</li> </ul>	<ul style="list-style-type: none"> <li>■ Дайте акумулятору або газонокосарці охолонути.</li> </ul>
	<ul style="list-style-type: none"> <li>■ Режим швидкості леза встановлено неправильно.</li> </ul>	<ul style="list-style-type: none"> <li>■ Виберіть меншу швидкість обертання леза.</li> </ul>
	<ul style="list-style-type: none"> <li>■ Помилка електроніки косарки, і індикатор стану косарки по черзі блимає червоним/зеленим кольором.</li> </ul>	<ul style="list-style-type: none"> <li>■ Зверніться до сервісного центру EGO.</li> </ul>
Надмірна вібрація.	<ul style="list-style-type: none"> <li>■ Набір ріжучих лез не закріплено.</li> </ul>	<ul style="list-style-type: none"> <li>■ Затягніть болт леза.</li> </ul>
	<ul style="list-style-type: none"> <li>■ Установлене ріжуче лезо незбалансоване.</li> </ul>	<ul style="list-style-type: none"> <li>■ Зверніться до сервісного центру EGO.</li> </ul>
	<ul style="list-style-type: none"> <li>■ Ріжуче лезо зігнуто.</li> </ul>	<ul style="list-style-type: none"> <li>■ Замініть лезо.</li> </ul>
	<ul style="list-style-type: none"> <li>■ Вал мотора зігнуто.</li> </ul>	<ul style="list-style-type: none"> <li>■ Зверніться до сервісного центру EGO.</li> </ul>
	<ul style="list-style-type: none"> <li>■ Косарка встановлена для зрізання занадто великої кількості трави за раз.</li> </ul>	<ul style="list-style-type: none"> <li>■ Підніміть дека, щоб установити вищу висоту зрізання.</li> </ul>
	<ul style="list-style-type: none"> <li>■ Режим швидкості леза встановлено неправильно.</li> </ul>	<ul style="list-style-type: none"> <li>■ Установіть меншу швидкість обертання леза.</li> </ul>
Мотор працює, але набір лез не зрізає траву.	<ul style="list-style-type: none"> <li>■ Набір лез не затягнуто з необхідним моментом.</li> </ul>	<ul style="list-style-type: none"> <li>■ Знову затягніть набір лез. Рекомендований крутний момент для болта леза становить 50–60 Нм.</li> </ul>
Труднощі з переміщенням ручки вибору затискача з боку в бік.	<ul style="list-style-type: none"> <li>■ У верхній частині розсувних дверцят накопичилася надмірна кількість скошеної трави.</li> </ul>	<ul style="list-style-type: none"> <li>■ Очищайте траву з корпусу газонокосарки після кожного використання дверцят.</li> </ul>

**UK**

## ГАРАНТІЯ

### ПРАВИЛА ГАРАНТІЇ EGO

Відвідайте веб-сайт [egopowerplus.eu](http://egopowerplus.eu) для отримання повного тексту умов гарантійної політики EGO.

**242**

БЕЗДРОТОВА КОСАРКА З ЛІТІЙ-ІОННИМ АКУМУЛЯТОРОМ НА 56 ВОЛЬТ — LM2230E-SP

## ПРОЧЕТЕТЕ ВСИЧКИ ИНСТРУКЦИИ!

**Употреба по предназначение:** Продуктът е предназначен за ръчно косене на трева:

- Използвайте само за косене на суха трева. Не косете мокра трева.
- Не го използвайте за други цели.

**▲ ПРЕДУПРЕЖДЕНИЕ:** Уверете се, че сте прочели и разбрали всички инструкции за безопасност в това Ръководство на оператора, включително всички известяващи символи за безопасност, като „ОПАСНОСТ“, „ПРЕДУПРЕЖДЕНИЕ“ и „ВНИМАНИЕ“, преди да използвате тази машина. Неспазването на всички инструкции изброени долу може да доведе до електрически удар, пожар и/или сериозно нараняване.

## СИМВОЛИ ЗА БЕЗОПАСНОСТ



Сигнал за безопасност



Винаги носете защита за ушите, предпазни очила със странична защита и предпазен щит за цялото лице, когато работите с този продукт.



Пазете се от изхвърлени предмети - дръжте минавачите настрана.



Дръжте ръцете си далеч



Гарантирано ниво на мощност на звука.



Този продукт е в съответствие с приложимото законодателство на Великобритания.

IPX4 Защита от водни пръски

mm Милиметър

— — — — — Постоянен ток



За намаляване на опасността от нараняване, потребителят трябва да прочете и разбере ръководството на оператора преди използването на този продукт.



Изключете и извадете разглобяемата батерия (или активиращото устройство) преди регулиране и почистване.



Дръжте ръцете и краката си далеч от остриетата



Не гледайте работната лампа.



Този продукт е в съответствие с приложимите директиви на ЕС.



Отпадъчните електрически продукти не трябва да бъдат изхвърляни заедно с домакинския отпадък. Отнесете го до уълнопомощено място за рециклиране.


V Волт

cm Сантиметър

kg Килограм

**BG**

## СПЕЦИФИКАЦИИ

Напрежение	56 V 	
Режим на скоростта на острието	2	
	1	
	ECO	
Позиции на височина на рязане	8	
Настройка на височината на рязане	25 mm/33 mm/43 mm/ 54 mm/66 mm/79 mm/ 92 mm/105 mm	
Ширина на рязане	55 см	
Обем на торбата за трева	85 л	
Тегло на косачката (със събирателна торба за трева и батерия ВА6720Т)	37 кг	
Модел на комплекта остриета	AB2212D-E	
Препоръчителна работна температура	0°C - 40°C	
Препоръчителна температура на съхранение	-20°C - 70°C	
Измерена мощност на звука Ниво $L_{WA}$	95 dB(A)	
	K=0,7 dB(A)	
Ниво на звуково налягане при ухото на оператора $L_{PA}$	83 dB(A)	
	K=3 dB(A)	
Гарантиран звук ниво на мощност $L_{WA}$ (измерено съгласно 2000/14/ЕО)	96 dB(A)	
Оценка на вибрации $a_{h,v}$ :	Лява ръкохватка	1,35 m/s <sup>2</sup> K=1,5 m/s <sup>2</sup>
	Дясна ръкохватка	1,35 m/s <sup>2</sup> K=1,5 m/s <sup>2</sup>

BG

- Декларираният общ размер на вибрации е измерен в съответствие със стандартния метод за тест и може да бъде използван за сравнение между две машини.
- Декларираният общ размер на вибрации може също така да бъде използван за предварителна оценка на влиянието.

**⚠ ПРЕДУПРЕЖДЕНИЕ:** Вибрационните емисии по време на действителната употреба на машината може да се различава от декларираната стойност. С цел да се защити оператора, потребителят трябва да носи ръкавици и антифони в действителни условия на работа.

**⚠ ПРЕДУПРЕЖДЕНИЕ:** Необходимо е идентифициране на мерки за безопасност за защита на оператора, които се основават на оценка на експозицията при действителните условия на употреба (като се вземат предвид всички части на работния цикъл, като например времето, когато инструментът е изключен и когато работи на празен ход в допълнение към времето за задействане).

## ОПАКОВЪЧЕН ЛИСТ (ФИГ. А1 И А2)

ИМЕ НА ЧАСТ	БРОЙ
Косачка за трева	1
Торба за трева	1
Рамка на торбата за трева	1
Ръководство на оператора	1

## ОПИСАНИЕ

### ОПОЗНАЙТЕ ВАШАТА КОСАЧКА (Фиг. А1 и А2)

1. Ръкохватка
2. Странична релса
3. Заклучваща скоба за ръкохватката
4. Задна изпускателна врата
5. Ръкохватка за повдигане
6. Капак на отделението за батериите
7. LED фарове
8. Копче за избор на клипс
9. Предно колело
10. Копче за регулиране на височината на рязане
11. Платформа
12. Вход за въздух
13. Задно колело
14. Лост за бърза настройка
15. Торба за трева
16. Заден щит
17. Спусък за въртене на острието
18. Спусък за самостоятелно задвижване

19. Регулатор за скоростта на самостоятелното задвижване
20. Бутон за режим на скоростта на острието
21. Бутон за електрозахранване
22. Бутон за LED фарове
23. Икона на LED фарове
24. Индикатор на LED фаровете
25. Индикатор на статуса на косачката
26. Икона на острието
27. Индикатор на режима на скоростта на острието
28. Икона за състоянието на косачката

2. Повдигнете ръкохватката от нейната съзнателна позиция и след това освободете лоста. Внимателно завъртете ръкохватката нагоре, докато чуete и почувствате зацепването на заключващия щифт в една от следните различните позиции, както е показано на фиг. B2.

B2-1	Заклучена позиция за съхранение	B2-2	Позиция за закрепване/изваждане на торбата за трева
B2-3	Горна позиция за работа	B2-4	Средна позиция за работа
B2-5	Долна позиция за работа		

## МОНТАЖ

**⚠ ПРЕДУПРЕЖДЕНИЕ:** Ако някои от частите са повредени или липсват, не работете с този продукт, докато частите не се подменят. Използването на този продукт с повредени или липсващи части може да доведе до сериозно лично нараняване.

**⚠ ПРЕДУПРЕЖДЕНИЕ:** За да предотвратите случайно стартиране, което може да причини сериозно нараняване винаги изваждайте акумулаторната батерия от машината, когато сглобявате частите.

**⚠ ПРЕДУПРЕЖДЕНИЕ:** Не се опитвайте да модифицирате тази машина или да създадете аксесоари, които не се препоръчват за употреба с тази косачка. Всяка такава промяна или модификация е злоупотреба и може да доведе до опасни условия с последици от сериозни наранявания.

### РАЗОПАКОВАНЕ

- Извадете всички аксесоари от кашона.
- Хванете едновременно предната част на косачката и ръкохватката за повдигане, за да повдигнете внимателно косачката нагоре и да я извадите от кашона.

### РЕГУЛИРАНЕ НА СГЪВАЕМАТА РЪКОХВАТКА

**⚠ ПРЕДУПРЕЖДЕНИЕ:** Не се опитвайте да стартирате косачката, докато ръкохватката не бъде заключена в едно от трите предварително зададени работни позиции: **ГОРНА РАБОТНА ПОЗИЦИЯ**, **СРЕДНА РАБОТНА ПОЗИЦИЯ** и **ДОЛНА РАБОТНА ПОЗИЦИЯ**.

1. Натиснете и задръжте лоста за бърза настройка за да освободите ръкохватката от **ЗАКЛЮЧЕНАТА ПОЗИЦИЯ ЗА СЪХРАНЕНИЕ** (фиг. B1).

B1-1	Лост за бърза настройка
------	-------------------------

3. Напълно изтеглете страничните релси и отново заключете заключващата скоба за ръкохватката (фиг. B3).

**БЕЛЕЖКА:** Моторът не може да бъде стартиран, освен когато:

- Страничните релси са напълно изтеглени.
- Зелената заключваща скоба за ръкохватката са сигурно затворена.
- Ръкохватката е заключена в една от трите работни позиции.

### СГЛОБЯВАНЕ НА ТОРБАТА ЗА ТРЕВА (Фиг. C1, C2, C3)

Преди сглобяването проверете торбата за трева, за да се уверите, че няма повреди.

Сглобете торбата за трева, както е показано на илюстрацията.

### КОПЧЕ ЗА ИЗБОР НА КЛИПС (Фиг. D)

Поставете копчето за избор на клипс във всяка една от петте позиции, за да постигнете желаните резултати от косенето.

С копчето може да се регулира плъзгащата се врата от напълно отворена, положение „BAG“ до напълно затворена, положение „MULCH“.

Чрез регулиране на копчето за избор на клипс могат да се постигнат различни условия на косене.

**За да промените позицията на копчето,** издърпайте копчето от ограничителя и го поставете в желаната позиция.

**БЕЛЕЖКА:** Ако при преместването на копчето за избор на клипс от една страна на друга се забелязва високо съпротивление, е възможно в горната част на плъзгащата се врата да се е натрупала твърде много трева. След всяка употреба почиствайте тревата под платформата на косачката.

D-1	Плъзгаща се врата	D-2	Позиция „MULCH“
D-3	Копче за избор на клипс	D-4	Позиция „BAG“

## ПОЗИЦИЯ НА ПЛЪЗГАЩАТА СЕ ВРАТА

Плъзгащата се врата може да се позиционира за постигане на различни резултати при косене. За да научите разликата между позициите, поставете торбата за трева и започнете да косите с копчето за избор на клипс докрай в позиция „BAG“. Проверете външния вид на ливадата. С преместването на копчето към позиция „MULCH“ (смесване) повече трева се връща обратно в тревната площ. Регулирайте копчето за избор на клипс, докато постигнете желания резултат. Хибридният режим на работа с торбички/мулчиране осигурява чисто и фино косене.

- **Закрепете копчето за избор в положение „BAG“ (торба)**, плъзгащата се врата е напълно отворена, което позволява на всичката окосена трева да влезе в торбата (фиг. E1).
- **Закрепете копчето за избор в хибридни позиции за пакетиране/мулчиране**, плъзгащата се врата е частично затворена. Част от изрезките ще отидат в торбата, а друга част ще бъдат фино мулчирани и насочени към земята (фиг. E2).
- **Закрепете копчето за избор в положение „MULCH“**, плъзгащата се врата е напълно затворена. Всички изрезки се мулчират фино и се насочват към земята (фиг. E3).

## СТРАНИЧНО РАЗТОВАРВАНЕ

**За да закрепите / извадите страничния отвеждащ улей (продава се отделно)**

**BG**

**БЕЛЕЖКА:** Уверете се, че долната страна на платформата е чиста, преди да използвате страничния отвеждащ улей.

- Извадете торбата за трева и поставете копчето за избор на клипс в положение „BAG“.
- Монтирайте страничния отвеждащ улей в косачката, както е показано на фигура F.

## ПЪЛНО СЪБИРАНЕ В ТОРБА

**За да закрепите / извадите торбата за трева**

**▲ ПРЕДУПРЕЖДЕНИЕ:** При нормална употреба материалът на торбата за трева е предмет на износване. За да намалите риска от нараняване, често проверявайте торбата за трева и подменете торбата, ако има признаци на износване или лошо състояние. Използвайте само торби за трева произведени за тази косачка.

**БЕЛЕЖКА:** Уверете се, че долната страна на платформата е чиста, преди да използвате торбата за трева.

- Отстранете страничния отвеждащ улей и поставете копчето за избор на клипс в положение „BAG“.
- Поставете торбата за трева в косачката, както е показано на фигура G.

## ПЪЛНО МУЛЧИРАНЕ (Фиг. H)

- Извадете торбата за трева.
- Освободете задната врата за изпразване.
- Настройте копчето за избор на клипс в положение „MULCH“.

## ХИБРИДНО СЪБИРАНЕ В ТОРБА/МУЛЧИРАНЕ (Фиг. J)

- Прикрепете торбата за трева.
- Настройте копчето за избор на клипс в една от трите позиции за хибридно събиране в торба/мулчиране.

**БЕЛЕЖКА:** С преместването на копчето за избор на клипс към позиция „MULCH“ повече трева се връща обратно в тревната площ.

С преместването на копчето за избор на клипс към позиция „BAG“ (торба), повече трева ще се разтоварва през задното изхвърляне в торбата за трева.

## НАСТРОЙКА НА ВИСОЧИНАТА НА КОСЕНЕ (Фиг. K)

Дръжте краката си на разстояние от платформата, когато регулирате височината на рязане.

Косачката може да бъде настроена на 8 височини за косене между 25 mm и 105 mm. Маркировка показва избраната височина на рязане.

Изберете правилната височина на рязане, в съответствие с вида и състоянието на тревата, която ще се коси.

1. Изключете косачката и изчакайте режещото острие да спре напълно.
2. Премахнете акумулаторната батерия.

3. Издърпайте лоста за регулиране на височината на косене от фиксатора и го поставете в желаната позиция.

**БЕЛЕЖКА:** За да избегнете претоварване на двигателя, не задавайте твърде ниска височина на косене при висока трева. Ако скоростта на двигателя започне да се забавя, увеличете височината на косене.

## ЕКСПЛОАТАЦИЯ

Винаги изваждайте акумулаторната батерия от продукта, когато монтирате части, правите настройки, почиствате или когато не е в употреба. Снемането на акумулаторната батерия ще предотврати инцидентно стартиране, което може да предизвика сериозно нараняване.

### ПОСТАВЯНЕ/ИЗВАЖДАНЕ НА АКУМУЛАТОРНАТА БАТЕРИЯ (Фиг. L)

Използвайте единствено акумулаторни батерии EGO и зарядни устройства изброени на фиг. A3.

Обърнете се към съответните ръководства за батерии и зарядни устройства за повече подробности.

#### Заредете напълно преди първата употреба

1. Повдигнете капака на отделението за батерии, като повдигнете предната част на капака.
2. **За да закрепите**, подравнете ребрата на батерията с монтажните жлебове и натиснете батерията надолу, докато чуете „щракване“.
3. **За да откачите**, натиснете бутона за освобождаване на батерията и издърпайте акумулаторната батерия навън.
4. Затворете капака на отделението за батерията.

**БЕЛЕЖКА:** Уверете се, че резето на косачката щраква на мястото си и батерията е осигурена в косачката преди стартиране на работа.

### ИЗБОР НА РЕЖИМ НА СКОРОСТТА НА ОСТРИЕТО (Фиг. M)

- **Режим 2** е режим на висока скорост на острието за висока производителност, за да се подобри силата на засмукване или ефективността на косене.
- **Режим 1** е най-добрият баланс между производителност и време на работа.
- **Режимът ECO** осигурява най-ниско ниво на шум и най-дълго време на работа на батерията.

**БЕЛЕЖКА:** Скоростта на острието не може да се регулира по време на работа. Промяната ще влезе в сила само след като двигателят бъде спрян и пуснат отново.

Изберете **режим 2, 1** или **ECO**, като натискате последователно бутона за режима на скоростта на острието.

**БЕЛЕЖКА:** По подразбиране режимът на скоростта на острието е режим 1.

M-1	Индикатор на скоростта на ножа	M-2	Бутон за режим на скоростта на острието
-----	--------------------------------	-----	---

### СТАРТИРАНЕ / СПИРАНЕ НА КОСАЧКАТА

Продуктът може да бъде използван в дъжд.

**⚠ ПРЕДУПРЕЖДЕНИЕ:** Експлоатацията на всяка косачка за трева, може да доведе до изхвърляне на чужди предмети към вашите очи или към очите на други, което може да доведе до сериозни очни наранявания. Винаги носете предпазни очила, докато работите с косачката или докато извършвате настройки или ремонт по нея.

**БЕЛЕЖКА:** Ножът ще продължи да се върти за няколко секунди, след като косачката е изключена. Оставете моторът / ножът да спрат да се въртят, преди да я стартирате отново. Не включвайте и изключвайте бързо косачката.

**⚠ ПРЕДУПРЕЖДЕНИЕ:** Спрете ножа, ако косачката трябва да бъде наклонена за транспортиране, когато пресичате повърхности различни от трева и когато транспортирате косачката до и от зоната на косене.

**⚠ ПРЕДУПРЕЖДЕНИЕ:** Не наклоняйте косачката при стартиране на двигателя, освен ако косачката трябва да бъде наклонена за стартиране. В този случай не го наклоняйте повече от колкото е абсолютно необходимо и повдигнете само частта, която е далеч от оператора.

Преди употреба винаги проверявайте визуално, за да видите дали острието и болтът на острието не са износени или повредени. Подменяйте износените остриета и болтове в комплект за да съхраните баланса.

#### Проверете за блокиране на режещото острие

- За да предотвратите блокиране, поддържайте режещото острие и платформата на косачката чисти. Отстранявайте окосената трева, листата, мръсотията и всякакви други натрупани отпадъци преди и след всяка употреба.
- Когато възникне запушване, спрете косачката и извадете акумулаторната батерия, след това отстранете всяко натрупване на трева и листа върху или около задвижващия вал и вентилатора на двигателя. Почистете, забървайки косачката с влажна кърпа.

**ВНИМАНИЕ:** Не се опитвайте да променят действието на бутона за включване и на спусъка за въртене на острието.

**БЕЛЕЖКА:** Двигателят не може да бъде стартиран, ако ръкохватката не е заключена в едно от трите работни положения.

### За да стартирате косачката (Фиг. N1 и N2)

1. Прикрепете акумулаторната батерия към косачката и затворете капака на отделението за батериите.
2. Натиснете бутона за захранване, за да светне таблото, и индикаторът за състоянието на косачката заедно с индикатора за скоростта на острието за режим 1 ще светнат.
3. Натиснете бутона за режим на скоростта на острието, за да изберете желаната скорост.
4. Натиснете и задръжте бутона за захранване.
5. При натиснат бутон за захранване издърпайте спусъка за въртене на острието, за да се срещне с ръкохватката, и освободете бутона за захранване.

### За спиране на косачката (Фиг. N3)

1. Освободете изцяло спусъка за въртене на острието.
2. Електрическата спирачка, в автоматичния спирачен механизъм, ще спре въртенето на острието в рамките на 3 секунди от освобождаването на спусъка за въртене на острието.

### САМОСТОЯТЕЛНА ЗАДВИЖВАЩА СИСТЕМА С ПРОМЕНЛИВА СКОРОСТ (Фиг. P)

Косачка е оборудвана с възможности за променлива скорост самостоятелната задвижваща система. Тази самостоятелна задвижваща система е независима от въртенето на острието.

### За да работите със самостоятелната задвижваща система без въртене на ножа

1. Натиснете бутона за захранване, за да осветите таблото.
2. Леко завъртете копчето за избор на скоростта на самостоятелно задвижване напред, докато се чуе щракване, след което натиснете спусъка(ците) на самостоятелното задвижване. Има два спусъка за самостоятелно задвижване, натиснете някой от тях, за да стартирате функцията за самостоятелно задвижване.

**За да изключите самостоятелното задвижване,** освободете спусъка за самостоятелно задвижване.

P-1	Регулатор за скоростта на самостоятелното задвижване	P-2	Спусък за самостоятелно задвижване
-----	--	-----	------------------------------------




### LED ФАРОВЕ (Фиг. Q)

**За да включите фаровете,** натиснете превключвателя за LED фаровете. Фаровете осигуряват ярка светлина пред косачката.

**За да изключите фаровете,** натиснете отново бутона.

### ИНДИКАТОРИ ЗА СЪСТОЯНИЕТО НА КОСАЧКАТА (ФИГ. A2)

Индикаторът за състоянието на косачката на арматурното табло показва работното състояние на косачката.

Индикатор	Описание	Значение	Действие
	Постоянно зелено	Косачката работи правилно.	Не е необходимо.
	Мигащо зелено	Страничните релси не са напълно изтеглени.	Спрете косачката и се уверете, че страничните релси са напълно изтеглени.
		Ръкохватката не е фиксирана в работна позиция.	Спрете косачката и се уверете, че ръкохватката е заключена в едно от трите работни положения.
	Мигащо червено	Нисък заряд на батерията.	Спрете косачката и заредете акумулаторната батерия.



Индикатор	Описание	Значение	Действие
	Постоянно оранжево	Косачката е прегряла.	Освободете спусъка за въртене на острието и изчакайте, докато температурата на косачката падне под 80 °С. Вижте „ЗАЩИТА НА КОСАЧКАТА ОТ ВИСОКА ТЕМПЕРАТУРА“ по-долу.
	Мигащо оранжево	Косачката е претоварена.	<ol style="list-style-type: none"> <li>1. Извадете акумулаторната батерия, след което проверете дали не се е натрупала трева под платформата. Почистете, ако е необходимо.</li> <li>2. Забавете своята крачка, когато косите.</li> <li>3. Увеличете височината на рязане.</li> <li>4. Ако горните решения не помогнат, свържете се с отдела за обслужване на клиенти на EGO.</li> </ol> Вижте „ЗАЩИТА ОТ ПРЕТОВАРВАНЕ НА КОСАЧКАТА“ по-долу.
	Мига в червено/зелено последователно	Грешка в електрониката на косачката.	Свържете се с обслужване на клиенти на EGO.

### ЗАЩИТА ОТ ВИСОКА ТЕМПЕРАТУРА НА КОСАЧКАТА

Ако температурата на косачката надвиши 90 °С по време на работа, веригата за температурна защита незабавно ще изключи косачката за предотвратяване на повреда от прегряване.

Индикаторът за състоянието на косачката ще свети постоянно в оранжево. Освободете спусъка за въртене на острието и изчакайте, докато прегрялата косачка се охлади и индикаторът за състоянието стане зелен, след което рестартирайте косачката.

### ЗАЩИТА ОТ ПРЕТОВАРВАНЕ НА КОСАЧКАТА

За да предотвратите условия на претоварване, не се опитвайте да режете твърде много трева на веднъж. Намалете скоростта или увеличете височината на рязане.

Вашата косачка има вградена защитна верига за претоварване. Когато косачката е претоварена, моторът ще спре и индикаторът за статуса на косачката на арматурното табло ще мига в оранжево.

### ПОДДРЪЖКА

**⚠ ПРЕДУПРЕЖДЕНИЕ:** За да избегнете сериозни наранявания, винаги изключвайте косачката, изваждайте акумулаторната батерия и се уверявайте, че всички движещи се части са напълно спрели, преди да почиствате, извършвате каквато и да е поддръжка или транспортирате косачката.

**⚠ ПРЕДУПРЕЖДЕНИЕ:** Винаги извършвайте редовната поддръжка на машината.

**⚠ ПРЕДУПРЕЖДЕНИЕ:** Спрете машината и извадете акумулаторната батерия, за да се уверите, че всички движещи се части са спрели напълно след удар с чужд предмет, и да проверите машината за повреди и да направите ремонт, преди да рестартирате и работите с машината.

**⚠ ПРЕДУПРЕЖДЕНИЕ:** Спрете машината и извадете батерията, за да се уверите, че всички движещи се части са спрели напълно, ако машината започне да вибрира необичайно, а след това незабавно да проверите за повреди, да замените или поправите повредените части и да проверите и затегнете всички разхлабени части.

**BG**

**⚠ ПРЕДУПРЕЖДЕНИЕ:** Когато обслужвате, използвайте само идентични резервни части. Употребата на каквито и да е други части може да създаде опасност или да предизвика повреда на продукта. За да осигурите безопасността и надеждността, всички поправки трябва да се извършват от квалифициран сервизен техник.

## ПОЧИСТВАНЕ НА КОСАЧКАТА

Долната страна на платформата на косачката трябва да бъде почиствана след всяка употреба, тъй като ще се натрупат отрязъци от трева, листа, мръсотия и други отпадъци.

Извадете всички натрупани треви и листа по или около задвижващия вал и вентилатора на двигателя. Почистете, забърсвайки косачката с влажна кърпа.

## СМЯНА НА КОМПЛЕКТА ОСТРИЕТА

(Фиг. R1, R2, R3)

**⚠ ПРЕДУПРЕЖДЕНИЕ:** Винаги изваждайте акумулаторната батерия и торбата за трева.

**⚠ ПРЕДУПРЕЖДЕНИЕ:** Винаги носете защитни ръкавици.

**БЕЛЕЖКА:** Преди да монтирате комплекта остриета, почистете добре областта на задвижващия вал и долната част на машината.

1. Обърнете косачката с горната страна надолу.
2. Демонтирайте/монтирайте комплекта остриета с помощта на динамометричен ключ и две метални пръчки като помощно средство, както е показано на илюстрацията.
3. Отпечатаната страна на острието трябва да е обърната навън.

## СЪХРАНЯВАНЕ НА КОСАЧКАТА (Фиг. S1 и S2)

- Извадете батерията от косачката и я съхранете на хладно, сухо и чисто място. Не я съхранявайте в близост до корозивни материали като тор или каменна сол.
- Изпразвайте торбата за трева преди съхранение.
- Преди съхранение винаги оставайте косачката да се охлади.
- Почиствайте и поддържайте преди съхранение.
- Съхранете косачката в закрито затворено пространство, което е хладно и сухо и е извън достъпа на деца.

- Не покривайте косачката с твърдо пластмасово покривало. Пластмасовите покривала задържат влагата около косачката, което предизвиква ръжда и корозия.

- Косачката може да се съхранява в легнал или изправен вид (фиг. S1 и S2).

**⚠ ПРЕДУПРЕЖДЕНИЕ:** Падане на косачката от изправена позиция може да доведе до повреда на косачката или нараняване на човек. Винаги дръжте косачката стабилна и извън достъпа на деца, когато е в изправена позиция. Ако е възможно поставете я легнала за съхранение.

## ОПАЗВАНЕ НА ОКОЛНАТА СРЕДА



Не изхвърляйте електрическо оборудване с общия боклук от домакинството, използвайте отделни сметосъбиращи съоръжения.

Свържете се с местните власти за информация относно наличните системи за събиране на отпадъци.

Ако се изхвърлят електрически уреди в сметища или бунища, опасни вещества могат да изтекат в подпочвените води и да попаднат в хранителната верига, като увредят вашето здраве и благосъстояние.

## ОТСТРАНЯВАНЕ НА ПРОБЛЕМИ

ПРОБЛЕМ	ПРИЧИНА	РЕШЕНИЕ
Косачката или функцията за самостоятелно задвижване не успява да стартира.	<ul style="list-style-type: none"> <li>■ Акумулаторната батерия е изтощена.</li> </ul>	<ul style="list-style-type: none"> <li>■ Заредете акумулаторната батерия.</li> </ul>
	<ul style="list-style-type: none"> <li>■ Акумулаторната батерия не е поставена правилно в отделението за батериите.</li> </ul>	<ul style="list-style-type: none"> <li>■ Вмъкнете акумулаторната батерия в отделението на батериите, докато не чуете „щрак“.</li> </ul>
	<ul style="list-style-type: none"> <li>■ Ръкохватката не е заключена в работно положение и индикаторът за състоянието на косачката мига в зелено.</li> </ul>	<ul style="list-style-type: none"> <li>■ Спрете косачката и се уверете, че ръкохватката е заключена в едно от работните положения.</li> </ul>
	<ul style="list-style-type: none"> <li>■ Платформата на косачката е запушена с трева и отпадъци.</li> </ul>	<ul style="list-style-type: none"> <li>■ Почистете платформата на косачката и се уверете, че комплектът остриета се движи свободно.</li> </ul>
Косачката реже неравно.	<ul style="list-style-type: none"> <li>■ Комплектът остриета е затъпен.</li> </ul>	<ul style="list-style-type: none"> <li>■ Заточете или подменете комплекта остриета.</li> </ul>
	<ul style="list-style-type: none"> <li>■ Височината за косене на тревата е не е настроена правилно.</li> </ul>	<ul style="list-style-type: none"> <li>■ Преместете височината на платформата на по-висока настройка.</li> </ul>
	<ul style="list-style-type: none"> <li>■ Комплектът остриета е монтиран неправилно.</li> </ul>	<ul style="list-style-type: none"> <li>■ Монтирайте отново комплекта остриета като следвате раздел „СМЯНА НА КОМПЛЕКТА ОСТРИЕТА“ в това ръководство.</li> </ul>
	<ul style="list-style-type: none"> <li>■ Режимът на скоростта на острието не е настроен правилно.</li> </ul>	<ul style="list-style-type: none"> <li>■ Изберете подходящ режим на скоростта на острието.</li> </ul>
Косачката не тори правилно.	<ul style="list-style-type: none"> <li>■ Отрязъци мокра трева са залепнали за долната част на платформата.</li> </ul>	<ul style="list-style-type: none"> <li>■ Изчакайте докато тревата се изсуши преди косене.</li> </ul>
	<ul style="list-style-type: none"> <li>■ Косачката е настроена да реже твърде много трева наведнъж.</li> </ul>	<ul style="list-style-type: none"> <li>■ Повдигнете платформата на по-висока височина на рязане.</li> </ul>
	<ul style="list-style-type: none"> <li>■ Режимът на скоростта на острието не е настроен правилно.</li> </ul>	<ul style="list-style-type: none"> <li>■ Изберете по-ниска скорост на острието.</li> </ul>

ПРОБЛЕМ	ПРИЧИНА	РЕШЕНИЕ
Косачката спира неочаквано по време на косене.	<ul style="list-style-type: none"> <li>■ Акумулаторната батерия е изтощена.</li> </ul>	<ul style="list-style-type: none"> <li>■ Заредете акумулаторната батерия.</li> </ul>
	<ul style="list-style-type: none"> <li>■ Косачката е претоварена и индикаторът за състоянието на косачката мига в оранжево.</li> </ul>	<ul style="list-style-type: none"> <li>■ Проверете дали под платформата не се е натрупала трева и я почистете, ако е необходимо. Повдигнете височината на рязане или забавете косенето.</li> </ul>
	<ul style="list-style-type: none"> <li>■ Платформата на косачката е запушена с трева и отпадъци.</li> </ul>	<ul style="list-style-type: none"> <li>■ Отпушете платформата на косачката. Повдигнете височината на рязане и/или косете по-тесен откос.</li> </ul>
	<ul style="list-style-type: none"> <li>■ Акумулаторната батерия или електронните компоненти на косачката са твърде горещи. Ако акумулаторната батерия е прегрята, индикаторът за състоянието на косачката изгасва. Ако косачката е прегрята, индикаторът за състоянието на косачката свети в оранжево.</li> </ul>	<ul style="list-style-type: none"> <li>■ Оставете акумулаторната батерия или косачката да се охладят.</li> </ul>
	<ul style="list-style-type: none"> <li>■ Режимът на скоростта на острието не е настроен правилно.</li> </ul>	<ul style="list-style-type: none"> <li>■ Изберете по-ниска скорост на острието.</li> </ul>
	<ul style="list-style-type: none"> <li>■ Грешката в електрониката на косачката и индикаторът за състоянието на косачката мигат последователно в червено/зелено.</li> </ul>	<ul style="list-style-type: none"> <li>■ Свържете се със сервизния център на EGO.</li> </ul>
Има прекалено силни вибрации.	<ul style="list-style-type: none"> <li>■ Режещото острие е разхлабено.</li> </ul>	<ul style="list-style-type: none"> <li>■ Затегнете болта на ножа.</li> </ul>
	<ul style="list-style-type: none"> <li>■ Комплектът остриета за косене е разбалансиран.</li> </ul>	<ul style="list-style-type: none"> <li>■ Свържете се със сервизния център на EGO.</li> </ul>
	<ul style="list-style-type: none"> <li>■ Ножът за рязане е изкривен.</li> </ul>	<ul style="list-style-type: none"> <li>■ Подменете острието.</li> </ul>
	<ul style="list-style-type: none"> <li>■ Валът на мотора е изкривен.</li> </ul>	<ul style="list-style-type: none"> <li>■ Свържете се със сервизния център на EGO.</li> </ul>
	<ul style="list-style-type: none"> <li>■ Косачката е настроена да реже твърде много трева наведнъж.</li> </ul>	<ul style="list-style-type: none"> <li>■ Повдигнете платформата на по-висока височина на рязане.</li> </ul>
	<ul style="list-style-type: none"> <li>■ Режимът на скоростта на острието не е настроен правилно.</li> </ul>	<ul style="list-style-type: none"> <li>■ Настройте скоростта на острието на по-ниска стойност.</li> </ul>
Двигателят работи, но комплектът остриета не коси тревата.	<ul style="list-style-type: none"> <li>■ Комплектът остриета не е затегнат до необходимия въртящ момент.</li> </ul>	<ul style="list-style-type: none"> <li>■ Затегнете отново комплекта остриета. Препоръчителният въртящ момент на затягане за болта на острието е 50-60 Nm.</li> </ul>
Затруднено преместване на копчето за избор на клипс от едната страна към другата.	<ul style="list-style-type: none"> <li>■ Върху плъзгащата се повърхност са се натрупали прекалено много окосени тревни.</li> </ul>	<ul style="list-style-type: none"> <li>■ Почиствайте тревата от платформата на косачката след всяко използване на вратата.</li> </ul>



---

## ГАРАНЦИЯ

### ГАРАНЦИОННА ПОЛИТИКА EGO

Моля, посетете уебсайта [egopowerplus.eu](http://egopowerplus.eu) за пълните срокове и условия по гаранционната политика на EGO.

**BG**

## PROČITAJTE UPUTE U CIJELOSTI!

**Namjena:** Proizvod je namijenjen za ručnu košnju travnjaka:

- Upotrebljavajte samo za košnju suhe trave. Nemojte kositi mokru travu.
- Nemojte ga upotrebljavati za druge svrhe.

**⚠ UPOZORENJE:** Prije upotrebe stroja, pročitate s razumijevanjem sve upute u ovom korisničkom priručniku, uključujući sve sigurnosne simbole kao što su „OPASNOST“, „UPOZORENJE“ i „OPREZ“. Zanemarivanje uputa navedenih u nastavku može rezultirati električnim udarom, požarom i/ili teškim tjelesnim ozljedama.

## SIGURNOSNI SIMBOLI



Upozorenje u vezi sigurnosti



Kada rukujete ovim proizvodom, nosite zaštitu za sluh i zatvorene zaštitne naočale ili zaštitne naočale s bočnim štitnicima i štitnik za cijelo lice.



Čuvajte se bačenih predmeta - promatrače držite na udaljenosti.



Držite ruke na udaljenosti



Zajamčena razina snage zvuka.



Ovaj proizvod je u skladu s važećim zakonodavstvom UK.

IPX4

Zaštita od prskanja vode

mm

Milimetar



Istosmjerna struja



Radi smanjenja opasnosti od ozljeda, prije uporabe ovog proizvoda korisnik treba s razumijevanjem pročitati ovaj korisnički priručnik.



Isključite i uklonite odvojivi baterijski modul (ili napravu za onemogućavanje) prije podešavanja ili čišćenja.



Ruke i stopala držite dalje od noževa



Nemojte gledati u otvorenu lampu.



Ovaj proizvod je u skladu s važećim direktivama EU.



Otpadni električni proizvodi ne smiju se odlagati s otpadom iz kućanstva. Odnosite ih u ovlaštene centar za recikliranje.

V

Volt

cm

Centimetar

kg

Kilogram

## TEHNIČKI PODACI

Napon	56 V	
Način brzine noža	2	
	1	
	ECO	
Položaji visine otkosa	8	
Postavka visine otkosa	25 mm/33 mm/43 mm/ 54 mm/66 mm/79 mm/ 92 mm/105 mm	
Širina otkosa	55 cm	
Volumen vreće za travu	85 l	
Težina kosilice (s vrećom za travu i baterijom BA6720T)	37 kg	
Model kompleta noževa	AB2212D-E	
Preporučena radna temperatura	0 °C - 40 °C	
Preporučena temperatura skladištenja	-20 °C - 70 °C	
Izmjerena zvučna snaga razina $L_{WA}$	95 dB(A) K=0,7 dB(A)	
Razina zvučnog tlaka kod uha rukovatelja $L_{PA}$	83 dB(A) K=3 dB(A)	
Zajamčena razina zvučne snage $L_{WA}$ (izmjereno u skladu s 2000/14/EZ)	96 dB(A)	
Procjena vibracija $a_{h,v}$ :	Lijeva drška	1,35 m/s <sup>2</sup> K=1,5 m/s <sup>2</sup>
	Desna drška	1,35 m/s <sup>2</sup> K=1,5 m/s <sup>2</sup>

- Deklarirane ukupne vrijednosti vibracija izmjerene su u skladu sa standardnom metodom ispitivanja i mogu se koristiti za usporedbu jednog stroja s drugim.
- Deklarirane ukupne vrijednosti vibracija mogu se koristiti i u preliminarnoj procjeni izloženosti.

**⚠ UPOZORENJE:** Emisija vibracija tijekom stvarnog korištenja stroja može se razlikovati od deklarirane vrijednosti u kojoj se stroj koristio. Radi zaštite rukovatelja, korisnik mora nositi rukavice i štitnike za uši u stvarnim uvjetima korištenja.

**⚠ UPOZORENJE:** Potrebno je utvrditi sigurnosne mjere za zaštitu rukovatelja koje se temelje na procjeni izloženosti u stvarnim uvjetima uporabe (uzimajući u obzir sve dijelove radnog ciklusa, kao što su vremena kada je alat isključen i kada radi u stanju mirovanja uz vrijeme pokretanja).

## PAKIRANJE (SLIKA A1 I A2)

NAZIV DIJELA	KOLIČINA
Kosilica	1
Vreća za travu	1
Okvir vreće za travu	1
Priručnik za rukovatelje	1

## OPIS

### UPOZNAJTE KOSILICU (SI. A1 I A2)

1. Ručka
2. Bočna vodilica
3. Stezaljka za fiksiranje drške
4. Vratašca stražnjeg ispusta
5. Ručica za podizanje
6. Poklopac pretinca za baterije
7. Prednja LED svjetla
8. Gumb za odabir sjeckanja
9. Prednji kotač
10. Gumb za podešavanja visine otkosa
11. Trup
12. Ulazni otvor za zrak
13. Stražnji kotač
14. Ručica za brzo podešavanje
15. Vreća za travu
16. Stražnji štitnik
17. Okidač rotacije noža
18. Okidač samostalnog pogona
19. Regulator brzine samostalnog pogona
20. Gumb načina radne noža
21. Gumb napajanja
22. Gumb za LED prednja svjetla
23. Ikona za LED prednja svjetla
24. Indikator za LED prednja svjetla
25. Indikator stanja kosilice
26. Ikona noža
27. Gumb načina rada za brzinu noža
28. Ikona stanja kosilice

## SASTAVLJANJE

**⚠ UPOZORENJE:** Ako je bilo koji dio oštećen ili ako nedostaje, nemojte upotrebljavati ovaj proizvod dok se ne zamijene dijelovi. Upotreba ovog proizvoda oštećenih dijelova ili dijelova koji nedostaju može rezultirati teškim tjelesnim ozljedama.

**⚠ UPOZORENJE:** Kako biste spriječili slučajno pokretanje koje može prouzročiti teške tjelesne ozljede, baterijski modul uvijek uklonite iz stroja kada sastavljate dijelove.

**⚠ UPOZORENJE:** Ne pokušavajte obavljati preinake na ovom stroju ili raditi pribor koji nije preporučan za uporabu s ovom kosilicom. Sve takve izmjene ili preinake predstavljaju nepropisnu uporabu i mogu rezultirati opasnim stanjima koja mogu dovesti do teških ozljeda.

### RASPAKIRAVANJE

- Uklonite sav pribor iz kartona.
- Istodobno uhvatite prednji dio kosilice i ručku za podizanje kako biste pažljivo podigli kosilicu i izvadili je iz kutije.

### PODEŠAVANJE SKLOPIVE DRŠKE

**⚠ UPOZORENJE:** Ne pokrećite kosilicu dok je drška zaključana u jednom od tri unaprijed postavljena radna položaja: GORNJI RADNI POLOŽAJ, SREDNJI RADNI POLOŽAJ i DONJI RADNI POLOŽAJ.

- Pritisnite i zadržite ručicu za brzo podešavanje kako biste oslobodili dršku iz ZAKLJUČANOG POLOŽAJA ZA SKLADIŠTENJE (Sl. B1).

B1-1	Ručica za brzo podešavanje
------	----------------------------

- Podignite dršku iz sklopljenog položaja, a zatim otpustite ručicu. Pažljivo okrećite dršku prema gore dok ne začujete i osjetite da se zatik za blokadu aktivirao u jednom od različitih položaja prikazanih na sl. B2.

B2-1	Fiksirani položaj za skladištenje	B2-2	Položaj za postavljanje/ uklanjanje vreće za travu
B2-3	Gornji radni položaj	B2-4	Srednji radni položaj
B2-5	Donji radni položaj		

- Do kraja izvucite bočne vodilice i ponovno zatvorite stezaljku za fiksiranje drške (Sl. B3).

**NAPOMENA:** Motor nije moguće pokrenuti osim u sljedećim slučajevima:

- Bočne vodilice su izvučene do kraja.
- Zelena stezaljka za fiksiranje drške čvrsto je zatvorena.
- Drška je fiksirana u jednom od tri radna položaja.

### MONTAŽA VREĆE ZA TRAVU (Sl. C1, C2, C3)

Prije sastavljanja provjerite vreću za travu kako biste bili sigurni da nema oštećenja.

Montirajte vreću za travu kako je prikazano na slici.

### GUMB ZA ODABIR SJECKANJA (Sl. D)

Postavite gumb za odabir sjeckanja u bilo koji od pet položaja kako biste postigli željene rezultate košnje.

Gumbom se mogu podesiti klizna vrata iz potpuno otvorenog, položaja „BAG“ u potpuno zatvoreni položaj „MULCH“.

Podešavanjem gumba za odabir sjeckanja mogu se zadovoljiti različiti uvjeti košnje.

**Za promjenu položaja gumba,** izvucite gumb iz zapora i postavite ga u željeni položaj.

**OBAVIJEST:** Ako se osjeti veliki otpor prilikom pomicanja gumba za odabir sjeckanja s jedne na drugu stranu, možda se previše trave nakupilo na vrhu kliznih vrata. Očistite travu s donje strane kućišta kosilice nakon svake uporabe.

D-1	Klizna vrata	D-2	Položaj „MULCH“ (MALČIRANJE)
D-3	Gumb za odabir sjeckanja	D-4	Položaj „BAG“ (VREĆA)

### POLOŽAJ KLIZNIH VRATA

Klizna vrata mogu se postaviti za postizanje različitih rezultata košnje. Kako biste saznali razliku između pojedinih položaja, postavite vreću za travu i počnite kositi s gumbom za odabir sjeckanja do kraja u položaju „BAG“. Provjerite izgled travnjaka. Kako se gumb pomiče prema položaju „MULCH“, sve više će se trave reciklirati natrag na travnjak. Podešavajte gumb za odabir sjeckanja dok ne postignete željeni rezultat. način rada kombinirane košnje u vreću/malčiranje rezultirat će čistim i finim rezom.

- Kada je gumb za odabir sjeckanja u položaju „BAG“,** klizna vrata su potpuno otvorena, dopuštajući da sva pokošena trava uđe u vreću (Sl. E1).
- Kada je gumb za odabir sjeckanja u položajima za kombiniranu košnju u vreću/malčiranje,** klizna vrata su djelomično zatvorena. Dio pokošene trave će ići u vreću, a dio će biti fino usitnjen i usmjeren na tlo (Sl. E2).



- **Kada je gumb za odabir sjeckanja u položaju „MULCH”,** klizna vrata su potpuno zatvorena. Sva pokošena trava bit će fino usitnjena i usmjerena na tlo (Sl. E3).

## BOČNO PRAZNJENJE

### Postavljanje/uklanjanje bočnog kanala za pražnjenje (prodaje se zasebno)

**OBAVIJEST:** Provjerite je li donja strana trupa čista prije korištenja kanala za bočno pražnjenje.

- Uklonite vreću za travu i postavite gumb za odabir sjeckanja u položaj „BAG”.
- Postavite bočni kanal za pražnjenje na kosilicu kao što je prikazano na sl. F.

## KOŠNJA SAMO U VREĆU

### Pričvršćivanje/uklanjanje vreće za travu

**⚠ UPOZORENJE:** Materijal vreće za travu se troši u normalnim uvjetima korištenja. Kako biste smanjili opasnost od ozljeđivanja, često pregledavajte vreću za travu i zamijenite ju ako primijetite znakove istrošenosti ili oštećenja. Koristite samo vreće za travu proizvedene za ovu kosilicu.

**OBAVIJEST:** Provjerite je li donja strana trupa čista prije korištenja vreće za travu.

- Uklonite kanal za bočno pražnjenje i postavite gumb za odabir kopče u položaj „BAG”.
- Postavite vreću za travu u kosilicu kao što je prikazano na sl. G.

## SAMO MALČIRANJE (SI. H)

- Uklonite vreću za travu.
- Oslobodite vratašca za pražnjenje na stražnjoj strani.
- Postavite gumb za odabir sjeckanja u položaj „MULCH”.

## KOMBINIRANA KOŠNJA U VREĆU/MALČIRANJE (SI. J)

- Pričvrstite vreću za travu.
- Postavite gumb za odabir stezaljki u jedan od tri položaja za kombiniranu košnju u vreću/malčiranje.

**NAPOMENA:** Kako se gumb za odabir sjeckanja pomiče prema položaju „MULCH”, sve više će se trave reciklirati natrag na travnjak.

Kako se gumb za odabir sjeckanja pomiče prema položaju „BAG”, sve više će se trave ispuštati kroz stražnji otvor za pražnjenje u vreću za travu.

## PODEŠAVANJE VISINE REZANJA (SI. K)

Odmaknite stopala od trupa za vrijeme podešavanja visine. Kosilicu možete postaviti na 8 visina otkosa između 25 mm i 105 mm. Oznaka označava odabranu visinu rezanja.

Odaberite odgovarajuću visinu, ovisno o vrsti i stanju trave koju treba rezati.

1. Isključite kosilicu i pričekajte da se rezni nož potpuno zaustavi.
2. Uklonite baterijski modul.
3. Izvucite ručicu za podešavanje visine rezanja iz držača i postavite je u željeni položaj.

**NAPOMENA:** Kako biste izbjegli preopterećenje motora, izbjegavajte postavljanje visine rezanja na prenisu vrijednost u visokoj travi. Ako se brzina motora počne smanjivati, povećajte visinu rezanja.

## RAD

Pri sastavljanju dijelova, obavljanju podešavanja, čišćenju ili kada ne koristite proizvod, baterijski modul izvadite iz proizvoda. Uklanjanjem baterijskog modula uklanjate mogućnost nehotičnog pokretanja uslijed kojeg mogu nastati teške tjelesne ozljede.

## POSTAVLJANJE/SKIDANJE BATERIJSKOG MODULA (SI. L)

Upotrebjavajte samo s baterijskim modulima i punjačima tvrtke EGO navedenima na Sl. A3.

Više pojedinosti potražite u odgovarajućim priručnicima za baterijske module i punjače.

## Baterijski modul napunite u potpunosti prije prve uporabe

1. Podignite poklopac pretinca baterijskog modula podizanjem prednjeg dijela poklopca.
2. **Za postavljanje,** poravnajte rebra baterije s utorima za postavljanje i utisnite baterijski modul prema dolje sve dok ne začujete „klik”.
3. **Za odvajanje,** utisnite gumb za oslobađanje baterije i izvucite baterijski modul.
4. Zatvorite poklopac pretinca za baterije.

**OBAVIJEST:** Prije početka rada pobrinite se da zasun na kosilici sjedne na mjesto te da je baterijski modul pričvršćen u kosilici.

## ODABIR NAČINA BRZINE NOŽA (SI. M)

- **Način rada 2** način je rada s velikom brzinom noža za visoke performanse podizanja za poboljšanje sile usisa i performansi rezanja.

- **Način rada 1** pruža najbolji odnos između performansi i vremena rada.
- **ECO način rada** pruža najnižu razinu buke i najduže vrijeme rada iz baterijskih modula.

**NAPOMENA:** Brzina noža ne može se podešavati tijekom rada. Promjena će postati aktivne tek kada se motor zaustavi i ponovno pokrene.

Odaberite između **načina rada 2, 1** ili **ECO** uzastopnim pritiskom gumba za način rada za brzinu noža.

**NAPOMENA:** Zadani način brzine noža je način rada 1.

M-1	Indikator brzine noža	M-2	Gumb načina brzine noža
-----	-----------------------	-----	-------------------------

## POKRETANJE/ZAUSTAVLJANJE KOSILICE

Proizvod se smije upotrebljavati na kiši.

**⚠ UPOZORENJE:** Rukovanje bilo kojom kosilicom može rezultirati odbacivanjem stranih predmeta u oči, što opet može izazvati teška oštećenja očiju. Nosite sigurnosne naočale kada rukujete kosilicom ili za vrijeme podešavanja ili izvođenja popravaka na kosilici.

**OBAVIJEST:** Nož će se nastaviti okretati nekoliko sekundi nakon isključivanja kosilice. Pričekajte da se motor/nož prestane okretati prije ponovnog uključivanja. Nemojte naglo isključiti pa uključiti kosilicu.

**⚠ UPOZORENJE:** Zaustavite nož ako je potrebno nagnuti kosilicu zbog transporta, kada prelazite preko površina koje nisu travnate i prilikom prenošenja kosilice na ili s mjesta košnje.

**⚠ UPOZORENJE:** Nemojte naginjati kosilicu prilikom pokretanja i uključivanja motora, osim kada se kosilica mora nagnuti za pokretanje. U tom slučaju nemojte je naginjati preko potrebne mjere i podignite samo dio koji je udaljen od rukovatelja.

Prije upotrebe vizualno pregledajte da nož i vijak noža nisu istrošeni ili oštećeni. Zamijenite istrošene ili oštećene noževe i vijke u kompletima kako biste očuvali ravnotežu.

### Provjerite da rezni nož nije blokiran

- Kako biste spriječili blokadu, održavajte rezni nož i kućište kosilice čistima. Uklonite pokošenu travu, lišće, prljavštinu i sve ostale nakupljene ostatke prije i nakon svake uporabe.
- Kada dođe do blokade, zaustavite kosilicu i izvadite bateriju, a zatim uklonite sve naslage trave i lišća na ili oko pogonske osovine i ventilatora motora. Kosilicu obrišite vlažnom krpom.

**OPREZ:** Ne pokušavajte zaobići funkciju rada gumba napajanja i okidača rotacije noža.

**NAPOMENA:** Motor se ne može pokrenuti ako ručka nije zaključana na jednom od tri radna položaja.

### Pokretanje kosilice (SI. N1 i N2)

1. Pričvrstite baterijski modul na kosilicu i zatvorite poklopac pretinca za baterije.
2. Pritisnite gumb napajanja da biste osvijetlili nadzornu ploču i zasvijetlit će indikator stanja kosilice zajedno s indikatorom brzine noža 1.
3. Pritisnite gumb načina brzine noža za odabir željene brzine.
4. Pritisnite i držite gumb napajanja.
5. S pritisnutim gumbom napajanja povucite okidač rotacije noža do ručke i otpustite gumb napajanja.

### Zaustavljanje kosilice (SI. N3)

1. Potpuno otpustite okidač rotacije noža.
2. Električna kočnica u mehanizmu automatskog kočenja će zaustaviti okretanje noža u roku 3 sekunde od otpuštanja okidača rotacije noža.

## SUSTAV SAMOSTALNOG POGONA PROMJENJIVE BRZINE (SI. P)

Kosilica je opremljena samostalnim pogonom s promjenjivom brzinom. Ovaj sustav sa samostalnim pogonom neovisan je o rotaciji noža.

### Za korištenje sustava sa samostalnim pogonom bez okretanja noža

1. Pritisnite gumb napajanja da biste uključili nadzornu ploču.
2. Lagano zakrenite regulator brzine samostalnog pogona prema naprijed dok se ne čuje klik, zatim pritisnite okidač(e) samostalnog pogona. Postoje dva okidača za samostalni pogon, pritisnite bilo koji od njih za pokretanje funkcije samostalnog pogona.

**Ako želite isključiti samostalni pogon,** otpustite okidač samostalnog pogona.

P-1	Regulator brzine samostalnog pogona	P-2	Okidač samostalnog pogona
-----	-------------------------------------	-----	---------------------------

### PREDNJA LED SVJETLA (SI. Q)

**Za uključivanje prednjih svjetala,** pritisnite gumb prednjih LED svjetala. Prednja svjetla pružaju jaku svjetlost ispred kosilice.

**Za isključivanje prednjih svjetala,** ponovno pritisnite gumb.

## INDIKATOR STANJA KOSILICE (SI. A2)

Indikator stanja kosilice na nadzornoj ploči prikazuje radno stanje kosilice.

Indikator	Opis	Značenje	Radnja
	Stalno svijetli zeleno	Kosilica radi ispravno.	Nije potrebna.
	Trepće zeleno	Bočne vodilice nisu do kraja izvučene.	Zaustavite kosilicu i provjerite da su bočne vodilice izvučene do kraja.
		Drška nije fiksirana u radnom položaju.	Zaustavite kosilicu i provjerite je li ručka zaključana u jednom od tri radna položaja.
	Trepće crveno	Niska razina napunjenosti baterije.	Zaustavite kosilicu i napunite baterijski modul.
	Stalno svijetli narančasto	Kosilica se pregrijava.	Otpustite sigurnosnu sklopku, pričekajte da temperatura kosilice padne ispod 80 °C. Pogledajte „ <b>ZAŠTITA KOSILICE OD VIŠOKE TEMPERATURE</b> “ u nastavku.
	Trepće narančasto	Kosilica je preopterećena.	<ol style="list-style-type: none"> <li>Izvadite baterijski modul, a zatim provjerite je li se trava nakupila ispod trupa. Očistite ako je potrebno.</li> <li>Usporite tempo prilikom košenja.</li> <li>Podignite visinu košnje.</li> <li>Ako gornja rješenja ne daj u rezultat, obratite se EGO službi za korisnike.</li> </ol> Pogledajte u nastavku „ <b>ZAŠTITA KOSILICE OD PREOPTEREĆENJA</b> “ .
	Naizmjenično trepće crveno/zeleno	Pogreška elektronike kosilice.	Obratite se službi za korisnike tvrtke EGO.

### ZAŠTITA KOSILICE OD VIŠOKE TEMPERATURE

Ako temperatura kosilice prelazi 90 °C tijekom rada, krug zaštite od temperature odmah će isključiti kosilicu, za zaštitu od oštećenja od pregrijavanja.

Indikator stanja kosilice svijetlit će narančasto. Otpustite okidač rotacije noža i pričekajte da se pregrijana kosilica ohladi i indikator stanja postane zelen, a zatim ponovno pokrenite kosilicu.

### ZAŠTITA KOSILICE OD PREOPTEREĆENJA

Kako ne bi došlo do preopterećenja, nemojte uklanjati preveliku količinu trave u jednom prolazu. Usporite hodanje ili povećajte visinu otkosa.

Kosilica ima ugrađenu zaštitu kruga od preopterećenja. U slučaju preopterećenja kosilice, motor će se zaustaviti, a indikator stanja kosilice na nadzornoj ploči će treptati narančasto.

## ODRŽAVANJE

**⚠ UPOZORENJE:** Da biste izbjegli teške tjelesne ozljede, isključite kosilicu, izvadite baterijski modul i pazite da svi pokretni dijelovi budu potpuno zaustavljeni prije čišćenja, obavljanja bilo kakvog održavanja ili transporta kosilice.

**⚠ UPOZORENJE:** Obvezno obavljajte redovito održavanje stroja.

**⚠ UPOZORENJE:** Zaustavite stroj i izvadite baterijski modul kako biste bili sigurni da su se svi pokretni dijelovi potpuno zaustavili nakon udara u strani predmet te provjerite ima li na stroju oštećenja i izvršite popravke prije ponovnog pokretanja i rada stroja.

**⚠ UPOZORENJE:** Zaustavite stroj i izvadite baterijski modul kako biste bili sigurni da su se svi pokretni dijelovi potpuno zaustavili, ako stroj počne neuobičajeno vibrirati, a zatim odmah pregledajte da nema oštećenja, zamijenite ili popravite sve oštećene dijelove i provjerite i zategnite sve labave dijelove.

**⚠ UPOZORENJE:** Pri servisiranju koristite samo identične zamjenske dijelove. Korištenje drugih dijelova može izazvati opasnost ili prouzročiti oštećenje proizvoda. Radi sigurnosti i pouzdanosti, sve popravke mora obavljati kvalificirani servisni tehničar.

### ČIŠĆENJE KOSILICE

Donju stranu trupa kosilice potrebno je očistiti nakon svake upotrebe kako biste spriječili nakupljanje komadića trave, lišća, prjavištine ili drugih tvari.

Uklonite naslage trave i lišća na i oko pogonske osovine i ventilatora motora. Kosilicu obrišite vlažnom krpom.

### ZAMJENA KOMPLETA NOŽA (SI. R1, R2, R3)

**⚠ UPOZORENJE:** Uklonite baterijski modul i vreću za travu.

**⚠ UPOZORENJE:** Nosite zaštitne rukavice.

**OBAVIJEST:** Prije ugradnje kompleta noža dobro očistite područje pogonskog vratila i donju stranu stroja.

1. Okrenite kosilicu naopako.
2. Uklonite/postavite komplet noža pomoću moment ključa i dvije metalne šipke kako je prikazano na slici.
3. Otsnutu stranu noža prema van.

### SKLADIŠTENJE KOSILICE (SI. S1 i S2)

- Izvadite baterijski modul iz kosilice i pohranite ga na hladno, suho i čisto mjesto. Nemojte ga pohraniti pored korozivnih materijala kao što su gnojiva ili kamena sol.
- Ispraznite vreću za travu prije skladištenja.
- Obvezno ostavite kosilicu da se ohladi prije skladištenja.
- Čišćenje i održavanje prije skladištenja.
- Pohranite kosilicu na natkrivenom, zatvorenom mjestu koje je hladno i suho i izvan dohvata djece.
- Ne pokrivajte kosilicu čvrstim plastičnim prekrivačem. Plastični prekrivači zarobit će vlagu oko kosilice, što pripomaže nastanku hrđe i korozije.
- Kosilica se može skladištiti vodoravno ili uspravno (sl. S1 i S2).

**⚠ UPOZORENJE:** Ako se kosilica prevrne iz uspravnog položaja, može doći do oštećenja ili ozljeda osoba u blizini. Kosilicu u uspravan položaj postavite tako da uvijek bude stabilna i izvan dohvata djece. Ako je moguće, položite ju tijekom skladištenja.

### ZAŠTITA OKOLIŠA



Električne uređaje nemojte zbrinjavati s nerazvrstanim komunalnim otpadom, koristite se posebnim spremnicima.

Informacije o dostupnim sustavima prikupljanja otpada za recikliranje potražite u lokalnom komunalnom poduzeću.

Ako se električni uređaji odlažu na odlagališta otpada ili deponije, opasne tvari mogu isteći u podzemne vode i dospjeti u lanac ishrane, nanoseći tako štetu vašem zdravlju i blagostanju.

## OTKLANJANJE SMETNJI

PROBLEM	UZROK	RJEŠENJE
Funkcija kosilice ili samostalnog pogona se ne pokreće.	<ul style="list-style-type: none"> <li>■ Baterijski modul je ispražnjen.</li> </ul>	<ul style="list-style-type: none"> <li>■ Napunite baterijski modul.</li> </ul>
	<ul style="list-style-type: none"> <li>■ Baterijski modul nije pravilno umetnut u pretinac za baterije.</li> </ul>	<ul style="list-style-type: none"> <li>■ Umetnite baterijski modul u pretinac za bateriju tako da se začuje zvuk prisjedanja na mjesto.</li> </ul>
	<ul style="list-style-type: none"> <li>■ Ručka nije zaključana u radnom položaju, a indikator stanja kosilice trepće zeleno.</li> </ul>	<ul style="list-style-type: none"> <li>■ Zaustavite kosilicu i provjerite je li ručka zaključana u jednom od radnih položaja.</li> </ul>
	<ul style="list-style-type: none"> <li>■ Trup kosilice je začepljen travom i ostalim nečistoćama.</li> </ul>	<ul style="list-style-type: none"> <li>■ Očistite trup kosilice i provjerite ima li dovoljno mjesta za kretanje noža.</li> </ul>
Rez kosilice je neravan.	<ul style="list-style-type: none"> <li>■ Komplet noža je tup.</li> </ul>	<ul style="list-style-type: none"> <li>■ Naoštrite ili zamijenite komplet noža.</li> </ul>
	<ul style="list-style-type: none"> <li>■ Visina otkosa nije propisno podešena.</li> </ul>	<ul style="list-style-type: none"> <li>■ Podignite visinu trupa na višu postavku.</li> </ul>
	<ul style="list-style-type: none"> <li>■ Komplet noža je nepravilno postavljen.</li> </ul>	<ul style="list-style-type: none"> <li>■ Ponovno postavite komplet noža prema uputama u odjeljku „<b>ZAMJENA KOMPLETA NOŽA</b>“ u ovom priručniku.</li> </ul>
	<ul style="list-style-type: none"> <li>■ Način brzine noža nije ispravno postavljen.</li> </ul>	<ul style="list-style-type: none"> <li>■ Odaberite odgovarajući način brzine noža.</li> </ul>
Kosilica ne malčira kako treba.	<ul style="list-style-type: none"> <li>■ Mokri komadići trave zalijepljeni su za podnožje trupa.</li> </ul>	<ul style="list-style-type: none"> <li>■ Pričekajte da se trava osuši, zatim nastavite s košnjom.</li> </ul>
	<ul style="list-style-type: none"> <li>■ Kosilica je postavljena za košnju prevelike količine trave odjednom.</li> </ul>	<ul style="list-style-type: none"> <li>■ Podignite platformu na veću postavku visine otkosa.</li> </ul>
	<ul style="list-style-type: none"> <li>■ Način brzine noža nije ispravno postavljen.</li> </ul>	<ul style="list-style-type: none"> <li>■ Odaberite nižu postavku brzine noža.</li> </ul>
Kosilica se neočekivano zaustavlja tijekom košnje.	<ul style="list-style-type: none"> <li>■ Baterijski modul je ispražnjen.</li> </ul>	<ul style="list-style-type: none"> <li>■ Napunite baterijski modul.</li> </ul>
	<ul style="list-style-type: none"> <li>■ Kosilica je preopterećena, a indikator stanja kosilice trepće narančasto.</li> </ul>	<ul style="list-style-type: none"> <li>■ Provjerite je li se trava nakupila ispod trupa i po potrebi očistite. Povećajte visinu otkosa ili usporite košnju.</li> </ul>
	<ul style="list-style-type: none"> <li>■ Trup kosilice je začepljen travom i ostalim nečistoćama.</li> </ul>	<ul style="list-style-type: none"> <li>■ Očistite trup kosilice. Povećajte visinu otkosa i/ili napravite užu otkos.</li> </ul>
	<ul style="list-style-type: none"> <li>■ Baterijski modul ili sklopovlje kosilice su prevrući. Ako je baterijski modul pregrijan, indikator stanja kosilice se isključuje. Ako je kosilica pregrijana, indikator stanja kosilice svijetli narančasto.</li> </ul>	<ul style="list-style-type: none"> <li>■ Pričekajte da se baterijski modul ili kosilica ohlade.</li> </ul>
	<ul style="list-style-type: none"> <li>■ Način brzine noža nije ispravno postavljen.</li> </ul>	<ul style="list-style-type: none"> <li>■ Odaberite nižu postavku brzine noža.</li> </ul>
	<ul style="list-style-type: none"> <li>■ Greška elektronike kosilice i indikator stanja kosilice naizmjenično trepće crveno/zeleno.</li> </ul>	<ul style="list-style-type: none"> <li>■ Obratite se servisnom centru tvrtke EGO.</li> </ul>

PROBLEM	UZROK	RJEŠENJE
Javljaju se prekomjerne vibracije.	<ul style="list-style-type: none"> <li>■ Komplet noža za rezanje je olabavljen.</li> </ul>	<ul style="list-style-type: none"> <li>■ Stegnite vijak noža.</li> </ul>
	<ul style="list-style-type: none"> <li>■ Komplet noža za rezanje nije balansirani.</li> </ul>	<ul style="list-style-type: none"> <li>■ Obratite se servisnom centru tvrtke EGO.</li> </ul>
	<ul style="list-style-type: none"> <li>■ Rezni nož je savijen.</li> </ul>	<ul style="list-style-type: none"> <li>■ Zamijenite nož.</li> </ul>
	<ul style="list-style-type: none"> <li>■ Vratilo motora je savijeno.</li> </ul>	<ul style="list-style-type: none"> <li>■ Obratite se servisnom centru tvrtke EGO.</li> </ul>
	<ul style="list-style-type: none"> <li>■ Kosilica je postavljena za košnju prevelike količine trave odjednom.</li> </ul>	<ul style="list-style-type: none"> <li>■ Podignite platformu na veću postavku visine otkosa.</li> </ul>
	<ul style="list-style-type: none"> <li>■ Način brzine noža nije ispravno postavljen.</li> </ul>	<ul style="list-style-type: none"> <li>■ Postavite nižu postavku brzine noža.</li> </ul>
Motor radi, ali komplet noža ne kosi travu.	<ul style="list-style-type: none"> <li>■ Vijak kompleta noža nije zategnut propisanim momentom.</li> </ul>	<ul style="list-style-type: none"> <li>■ Ponovno zategnite komplet noža. Preporučeni moment za vijak noža je 50-60 Nm.</li> </ul>
Poteškoće pri pomicanju gumba za odabir sjeckanja s jedne na drugu stranu.	<ul style="list-style-type: none"> <li>■ Prekomjerna količina pokošene trave nakupila se na vrhu kliznika.</li> </ul>	<ul style="list-style-type: none"> <li>■ Očistite travu s trupa kosilice nakon svake uporabe vrata.</li> </ul>

## JAMSTVO

### PRAVILA U VEZI JAMSTVA TVRTKE EGO

Cjelokupne uvjete i odredbe pravila jamstva tvrtke EGO potražite na web-mjestu [egopowerplus.eu](http://egopowerplus.eu).

# წაიკითხეთ მთლიანი ინსტრუქცია!

**მიზნობრივი გამოყენება:** პროდუქტი განკუთვნილია გაზონის ხელით გასათიბად:

- გამოიყენეთ მხოლოდ მშრალი ბალახის გასათიბად. არ მოთიბოთ სველი ბალახი.
- ნუ გამოიყენებთ მას ნებისმიერი სხვა მიზნით.

**⚠ გაფრთხილება:** მანქანის გამოყენებამდე წაიკითხეთ და გაეცანიტ ყველა უსაფრთხოების წესს, რომელიც მოცემულია მომხმარებლის ამ სახელმძღვანელოში, მათ შორის, ყველა უსაფრთხოების სიგნალის სიმბოლოებს, როგორცაა „**საშიშროება**“, „**გაფრთხილება**“ და „**ყურადღება**“. ქვემოთ ჩამოთვლილი მითითებების შეუსრულებლობამ შეიძლება გამოიწვიოს დენის დარტყმა, ხანძარი და/ან სხეულის სერიოზული დაზიანება.

## გამაფრთხილებელი ნიშნები



გამაფრთხილებელი ნიშანი

ამ პროდუქტით სარგებლობისას ყოველთვის ატარეთ სმენის დამცავი, უსაფრთხოების თვალსაფარი ან გვერდითა ეკრანების მქონე უსაფრთხოების სათვალე და მთლიანი სახის ფარი.



მოერიდეთ გამოტყორცნილ საგნებს - მოაშორეთ ახლოს მდგომი პირები.



მოარიდეთ ხელუბი



გარანტირებული ხმის სიმძლავრის დონე.



აღნიშნული პროდუქტი აკმაყოფილებს გაერთიანებული სამეფოს კანონმდებლობით დადგენილ მოთხოვნებს.

IPX4

დაცვა წყლის მცირე ოდენობით გადასხმის შემთხვევაში

mm

მილიმეტრი



მუდმივი დენი



დაზიანების რისკის შესამცირებლად, მომხმარებელმა უნდა წაიკითხოს და გაიგოს მოწყობილობის მუშაობის ინსტრუქცია, მის გამოყენებამდე.



გათიშეთ და მოხსენით აკუმულატორი (ან ამომრთველი) ხელსაწყოს მის რეგულირებამდე ან გაწმენდამდე.



მოარიდეთ ხელუბი და ფეხუბი მჭრელ პირებს



არ უყუროთ ლამფას, როცა მუშაობს.



მოწყობილობა შეესაბამება EC-ის მოქმედ რეგულაციებს.



ელექტრო ხელსაწყოს ნარჩენები არ გადაყაროთ საყოფაცხოვრებო ნარჩენებთან ერთად. წაიღეთ შესაბამის გადამამუშავებელ საწარმოში.

V

ვოლტი

cm


სანტიმეტრი

kg

კილოგრამი



## სპეციფიკაციები

ძაბვა	56 V 	
მჭრელი პირის სიჩქარის რეჟიმი	2	
	1	
	ECO	
ჭრის სიმაღლის პოზიციები	8	
ჭრის სიმაღლის პარამეტრები	25 მმ/33 მმ/43 მმ/ 54 მმ/ 66 მმ/79 მმ/ 92 მმ/105 მმ	
ჭრის სიგანე	55 სმ	
ბალახის ტომრის მოცულობა	85 L	
გაზონსაკრეჭის წონა (ბალახის ჩანთით და აკუმულატორით BA6720T)	37 კგ	
საჭრელი პირის მოდელი	AB2212D-E	
რეკომენდებული საექსპლუატაციო ტემპერატურა	0°C - 40°C	
შენახვის რეკომენდებული ტემპერატურა	-20°C - 70°C	
გაზომილი ხმის სიმძლავრე დონე L <sub>WA</sub>	95 დბ(A) K=0,7 დბ(A)	
ბგერის წნევის დონე მომხმარებლის ყურზე L <sub>PA</sub>	83 დბ(A) K=3 დბ(A)	
გარანტირებული ხმის სიმძლავრის დონე L <sub>WA</sub> (გაზომილი 2000/14/EC რეგულაციის მიხედვით)	96 დბ(A)	
ვიბრაციის შეფასება a <sub>hvt</sub> :	მარცხენა სახელური	1,35 მ/წმ <sup>2</sup> K=1,5 მ/წმ <sup>2</sup>
	მარჯვენა სახელური	1,35 მ/წმ <sup>2</sup> K=1,5 მ/წმ <sup>2</sup>

- მითითებული ვიბრაციის სრული სიდიდე გაზომილია სტანდარტული ტესტირების მეთოდის გამოყენებით და შესაძლოა გამოყენებულ იქნას ერთი მოწყობილობის მეორესთან შედარებისას.

- მითითებული ვიბრაციის სრული სიდიდე ასევე შესაძლოა გამოყენებულ იქნას ზემოქმედების წინასწარი შეფასებისას.

**⚠ გაფრთხილება:** ელექტრო ხელსაწყო ფაქტობრივი გამოყენებისას ვიბრაციის ემისია შესაძლოა განსხვავდებოდეს მითითებული სიდიდისგან; ოპერატორის დაცვის მიზნით, მომხმარებელმა მოწყობილობით სარგებლობისას საჭიროა გამოიყენოს ხელთათმანები და სმენის დამცავი.

**⚠ გაფრთხილება:** ოპერატორის დაცვის მიზნით უსაფრთხოების ზომების იდენტიფიცირების აუცილებლობიდან გამომდინარე, რომლებიც ეფუძნება რეალურ პირობებში აღჭურვილობის გამოყენების ზემოქმედებას (ოპერაციული ციკლის ყველა ნაწილის გათვალისწინებით, როგორცაა ხელსაწყო გამოირთვის დრო და უმოქმედო მდგომარეობა, ტრიგერის დროს გარდა).

## შეფუთვის ფურცელი (ნახ. A1 და A2)

ნაწილის დასახელება	რაოდენობა
გაზონის საკრეჭი	1
ბალახის ტომარა	1
ბალახის ტომრის ჩარჩო	1
მომხმარებლის სახელმძღვანელო	1

## აღწერილობა

შეისწავლეთ თქვენი გაზონის საკრეჭი (ნახ. A1 და A2)

1. სახელური
2. გვერდითი რელსი
3. ხელით-ჩასაკეტი მომჭერი
4. უკანა გამშვები კარი
5. ასაწევი სახელური
6. აკუმულატორის ნაკვეთურის საფარი
7. LED წინა ფარები
8. წამჭრელის შემრჩევი დილაკი

KA



9. წინა ბორბალი
10. ჭრის სიმაღლის მარეგულირებელი ღილაკი
11. ქვედა ნაწილი
12. შემსრუტავი საპაწეო
13. უკანა ბორბალი
14. სწრაფი რეგულირების ბერკეტი
15. ბალახის ტომარა
16. დამცავი ნაწიბური
17. მჭრელი პირის ბრუნვის ტრიგერი
18. თვითმომრავი ცელი
19. თვით-სვლის მექანიზმის სიჩქარის ციფერბლატი
20. საჭრელი პირის სიჩქარის რეჟიმის ღილაკი
21. ჩამრთველი ღილაკი
22. LED წინა ფარების ღილაკი
23. შუქდიოდური წინა ფარების ხატულა
24. შუქდიოდური წინა ფარების ინდიკატორი
25. ბალახის საკრეჭი მანქანის სტატუსის ინდიკატორი
26. საჭრელი პირის ხატულა
27. საჭრელი პირის სიჩქარის რეჟიმის ინდიკატორი
28. გაზონის საკრეჭი მანქანის სტატუსის ხატულა

## ნაკრები

**▲ გაფრთხილება:** თუ რომელიმე ნაწილი დაზიანებულია ან დაკარგულია, არ ისარგებლოთ მოწყობილობით, სანამ ყველა ნაწილი არ გამოიცვლება. დაზიანებული ან დაკარგული ნაწილების მქონე მოწყობილობით სარგებლობას შესაძლოა მოჰყვეს სერიოზული ზიანი.

**▲ გაფრთხილება:** უცაბედი ჩართვის გამოსარიცხად, რომელმაც შესაძლოა გამოიწვიოს სერიოზული პერსონალური ზიანი, ყოველთვის მოხსენით აკუმულატორი მოწყობილობას, როდესაც ხდება მისი ნაწილების აწყობა.

**▲ გაფრთხილება:** არ სცადოთ ამ ხელსაწყოს გადაკეთება ან ისეთი აქსესუარების შექმნა, რომლებიც არაა რეკომენდებული ამ მანქანისთვის. ნებისმიერი მსგავსი ცვლილება ამ მოდიფიკაცია არის ხელსაწყოს არასათანადო გამოყენება და შესაძლოა წარმოქმნას სახიფათო მდგომარეობა, რომელმაც შეიძლება მოგაყენოთ სერიოზული ზიანი.

## შეფუთვიდან ამოღება

- ამოიღეთ ყველა აქსესუარი მუყაოს კოლოფიდან.
- ჩაჭიდეთ ხელი სათიბის წინა მხარეს და ასწიეთ სახელური იმავდროულად, რათა ფრთხილად ამოიღოთ სათიბი მუყაოს ყუთიდან.

## დასაკეცი სახელურის რეგულირება

**▲ გაფრთხილება:** ნუ შეეცდებით დაიწყოთ გაზონსაკრეჭით მუშაობა, სანამ სახელური ჩაკეტილია სამიდან ერთ-ერთ წინასწარ დაყენებულ სამუშაო პოზიციასზე: ზედა სამუშაო პოზიცია, შუა სამუშაო პოზიცია და ქვედა სამუშაო პოზიცია.

1. დააჭირეთ და დააყოვნეთ ხელი სწრაფი რეგულირების ბერკეტზე, რათა გაათავისუფლოთ სახელური შენახვის ჩაკეტილი პოზიციიდან (ნახ. B1).

B1-1	სწრაფი რეგულირების ბერკეტი
------	----------------------------

2. აწიეთ სახელური დაკეცილი მდგომარეობიდან და შემდეგ გაუშვით ხელი ბერკეტს. ფრთხილად მოატრიალეთ სახელური ზევით, სანამ არ გაიგებთ და შეიგრძნობთ, რომ ჩამკეტი წვირი ჩაჯდა ერთ-ერთ მითითებულ პოზიციასში, რომლებიც ნაჩვენებია ნახ. B2-ზე

B2-1	ჩაკეტილი შენახვის პოზიცია	B2-2	ბალახის ჩანთის მიმავრების/ მოხსნის პოზიცია
B2-3	ზედა სამუშაო პოზიცია	B2-4	შუა სამუშაო პოზიცია
B2-5	ქვედა სამუშაო პოზიცია		

3. გვერდითი სახელურები ბოლომდე დაჭიმეთ და მომჭერები მყარად ჩაკეტეთ (ნახ. B3).

**შენიშვნა:** ელექტრომრავი არ ჩაირთვება, თუ:

- გვერდითი ძელაკები სრულად გაშლილია
- ორივე მწვანე სახელურის-ჩამკეტი მომჭერი უსაფრთხოდ დახურულია.
- სახელური ჩაკეტილია სამი სამუშაო პოზიციიდან ერთ-ერთში.

**KA**

## ბალახის ტომრის აწყობა (ნახ. C1, C2, C3)

აწყობამდე შეამოწმეთ ბალახის ტომარა, რათა დარწმუნდეთ, რომ დაზიანება არ არის.

ააწყვეთ ბალახის ჩანთა, როგორც ილუსტრაციაზეა ნაჩვენები.

## წამჭრელის სელექტორის დილაკი (ნახ. D)

მოათავსეთ წამჭრელის ამომრჩევი დილაკი ხუთიდან რომელიმე პოზიციაზე თიბვის სასურველი შედეგების მისაღწევად.

დილაკს შეუძლია სრიალა კარის პოზიციის რეგულირება სრულიად ღია „ტომრის“ პოზიციიდან სრულიად დახურულ „მულჩირების“ პოზიციამდე.

სამაგრის ამომრჩევის დილაკის რეგულირებით შესაძლებელია სათიბის სხვადასხვა პირობების დაკმაყოფილება.

## დილაკების პოზიციის ხელახლა დასაყენებლად

ამოწიეთ დილაკი დაკავებული პოზიციიდან და დააყენეთ სასურველ მდგომარეობაში.

**შენიშვნა:** თუ სამაგრის შერჩევის დილაკის ერთი მხარიდან მეორეზე გადაადგილებისას მაღალი წინააღმდეგობა შეინიშნება, შეიძლება სრიალა კარის თავზე ზედმეტი ბალახი იყოს დაგროვილი. ყოველი გამოყენების შემდეგ გამოწმინდეთ ბალახი სათიბი პლატფორმის ქვეშ.

D-1	სრიალა კარი	D-2	„მულჩირების“ პოზიცია
D-3	წამჭრელის შემრჩევი დილაკი	D-4	„ტომრის“ პოზიცია

## სრიალა კარის პოზიცია

შესაძლებელია სრიალა კარის სხვადასხვა პოზიციაში მოთავსება თიბვის სხვადასხვა შედეგების მისაღწევად. იმისათვის, რომ გაიგოთ განსხვავება პოზიციებს შორის, დაამონტაჟეთ ბალახის ტომარა და დაიწყეთ თიბვა ისე, რომ სამაგრის ამომრჩევი დილაკი მთლიანად „ტომრის“ პოზიციაზე იყოს. შეამოწმეთ გაზონის გარეგნობა. როგორც კი დილაკი გადაინაცვლებს მულჩირების პოზიციისკენ, მეტი ბალახი გადამუშავდება და დაბრუნდება ისევე გაზონში. დაარეგულირეთ წამჭრელის არჩევის დილაკი სანამ სასურველ შედეგს არ

მიიღებთ. ტომარაში ჩაყრის/მულჩირების ჰიბრიდული რეჟიმი შედეგად მოგვცემს სუფთა და წვრილ ჭრას.

- როცა საჭრელის სელექტორი დილაკი „ტომრის“ პოზიციაშია, სრიალა კარი მთლიანად ღიაა და ბალახის წანაჭერი მთლიანად ტომარაში ხვდება(ნახ. E1).
- როცა საჭრელის სელექტორი დილაკი ტომარაში ჩაყრის/მულჩირების ჰიბრიდულ პოზიციაშია, სრიალა კარი ნაწილობრივ დახურულია. ზოგი წანაჭერი ჩაიყრება ტომარაში და ზოგის შემთხვევაში კი მოხდება მულჩირება და დაბრუნდება მიწაში (ნახ. E2).
- როცა საჭრელის სელექტორი დილაკი მულჩირების პოზიციაშია, სრიალა კარი მთლიანად დახურულია. ყველა წანაჭერი იქნება წვრილად მულჩირებული და დაბრუნდება ნიადაგში (ნახ. E3).

## გვერდითა მხრიდან დაგლა

## გვერდითი დასაცვლი არხის დამაგრება/ მოხსნა (იყიდება ცალკე)

**შენიშვნა:** გვერდითა დასაცვლი არხის გამოყენებამდე დარწმუნდით, რომ პლატფორმის ქვედა მხარე სუფთაა.

- მოხსენით ბალახის ტომარა და დააყენეთ წაჭრის შემრჩევი დილაკი „ტომრის“ პოზიციაზე.
- დაამონტაჟეთ გვერდითი დასაცვლი ღარი გაზონსაკრეჭზე, როგორც ნაჩვენებია ნახ. F-ში.

## სასეე ჩანთის ხატულა

## ბალახის ტომრის მიმაგრება/მოხსნა

**▲ გაფრთხილება:** ნორმალური გამოყენებისას, ბალახის ტომრის მასალა ექვემდებარება ცვეთას. დაზიანების რისკის შესამცირებლად, ხშირად შეამოწმეთ ბალახის ჩანთის მთლიანობა და გამოცვალეთ ჩანთა, თუ ნახავთ ცვეთის ან დაზიანების ნიშნებს. გამოიყენეთ მხოლოდ ბალახის ჩანთები, რომლებიც წარმოებულია ამ გაზონსაკრეჭისთვის.

**შენიშვნა:** ბალახის ტომრის გამოყენებამდე დარწმუნდით, რომ პლატფორმის ქვედა მხარე სუფთაა.

KA

- ამოიღეთ გვერდითა დასაცვლილი ღარი და დააყენეთ წაჭრის ამომრჩევი ღილაკი „ტომრის“ პოზიციაზე.
- დაამონტაჟეთ ბალახის ტომარა გაზონის საკრეჭზე, როგორც ნაჩვენებია G სურათზე.

### სრული მულჩირება (ნახ. H)

- ბალახის ტომრის მოხსნა.
- ბოლო ეტაპზე გახსენით უკანა დასაცვლილი კარი.
- დააყენეთ კლიპის ამომრჩევი ღილაკი „მულჩირების“ პოზიციაზე.

### ტომარაში ჩაყრის/მულჩირების ჰიბრიდი (ნახ. J)

- ბალახის ტომრის მიმაგრება.
- დააყენეთ წაჭრის ამომრჩევი ღილაკი ტომარაში ჩაყრის/მულჩირების სამიდან ერთ-ერთ ჰიბრიდულ პოზიციაზე.

**შენიშვნა:** როდესაც წაჭრის ამომრჩევი ღილაკი გადაინაცვლებს „მულჩირების“ პოზიციისკენ, მეტი ბალახი გადამუშავდება და დაბრუნდება გაზონში.

როდესაც წაჭრის ამომრჩევი ღილაკი გადაინაცვლებს „ტომრის“ პოზიციისკენ, უფრო მეტი ბალახი ჩაივლება უკანა ბალახის ტომარაში.

### ჭრის სიმაღლის რეგულირება (ნახ. K)

მოაშორეთ ფეხები დასაძებს ჭრის სიმაღლის რეგულირებისას.

გაზონმკრეჭი შეიძლება დამონტაჟდეს ჭრის 8 სიმაღლეზე, 25მმ და 105მმ-ს შორის. მარკირება მიუთითებს არჩეულ ჭრის სიმაღლეზე.

აირჩიეთ სწორი ჭრის სიმაღლე, მოსაჭრელი ბალახის ტიპისა და მდგომარეობის მიხედვით.

1. გამორთეთ გაზონის საკრეჭი და დაელოდეთ საჭრელი პირის სრულ გაჩერებას.
2. მოხსენით აკუმულატორის ბლოკი.
3. ამოიღეთ წინა ან უკანა ჭრის სიმაღლის რეგულირების ზერკეტი საკეტიდან და დააყენეთ სასურველ მდგომარეობაში.

**შენიშვნა:** ძრავის გადატვირთვის თავიდან ასაცილებლად, მოერიდეთ ჭრის სიმაღლის ძალიან დაბლა დაყენებას მაღალი ბალახის შემთხვევაში. თუ ძრავის სიჩქარე იწყებს შენელებას, გაზარდეთ ჭრის სიმაღლე.

## მუშაობა

ყოველთვის მოხსენით აკუმულატორი ხელსაწყოს, როდესაც ხდება მისი აწყობა, რეგულირება, წმენდა ან როდესაც არ ხდება ხელსაწყოს გამოყენება. აკუმულატორის მოხსნა გამორიცხავს მოწყობილობის უცაბედ ჩართვას, რამაც შესაძლოა მოგაყენოთ სერიოზული პირადი დაზიანება.

### აკუმულატორის ბლოკის დამაგრება/მოხსნა (ნახ. L)

გამოიყენეთ მხოლოდ ნახ. A3-ში ჩამოთვლილი EGO-ს აკუმულატორის ბლოკები და დამტენები.

დეტალური მითითებებისთვის იხილეთ აკუმულატორის და დამტენის სახელმძღვანელოები.

### სრულად დატენით პირველ ჯერზე სარგებლობამდე.

1. აწიეთ აკუმულატორის ნაკვეთურის საფარი საფარის წინა ნაწილის მაღლა აწევით.
2. **დასამაგრებლად**, გაუსწორეთ აკუმულატორის სამაგრები ბუდის ღიობებს და დააწექით აკუმულატორის ბლოკს, სანამ არ გაიგებთ „წკაპ“ ხმას.
3. **მოსახსნელად**, დააჭირეთ აკუმულატორის მოხსნის ღილაკს და ამოიღეთ აკუმულატორი
4. დახურეთ აკუმულატორის ნაკვეთურის საფარი.

**შენიშვნა:** ექსპლუატაციის დაწყებამდე დარწმუნდით, რომ გაზონსაკრეჭზე არსებული ჩამკეტი დეჯება თავის ადგილას და რომ ბატარეის ბლოკი დამაგრებულია გაზონსაკრეჭზე.

### დანის სიჩქარის რეჟიმის არჩევა (ნახ. M)

- **რეჟიმი 2** არის დანის მაღალი სიჩქარის რეჟიმი სიმაღლეზე სამუშაოდ, შეწოვის ძალისა და ჭრის მუშაობის გასაუმჯობესებლად.
- **რეჟიმი 1** არის საუკეთესო ბალანსი მუშაობასა და მუშაობის დროს შორის.
- **ECO** რეჟიმი უზრუნველყოფს თქვენს აკუმულატორის ბლოკის ყველაზე დაბალ ხმაურის დონეს და ხანგრძლივ მუშაობას.

**შენიშვნა:** მუშაობის დროს საჭრელი დანის პირის სიჩქარის რეგულირება შეუძლებელია.

KA

ცვლილება ძალაში შევა მხოლოდ ძრავის გაჩერების და ხელახლა ჩართვის შემდეგ.

აირჩიეთ **რეჟიმები 2, 1 ან ECO**, დილაკის სიჩქარის რეჟიმზე თანმიმდევრულად დაჭერით.

**შენიშვნა:** დანის სიჩქარის ნაგულისხმევი რეჟიმი არის რეჟიმი 1.

M-1	მჭრელი პირების ბრუნვის სიჩქარის მაჩვენებელი	M-2	საჭრელი პირის სიჩქარის რეჟიმის დილაკი
-----	---	-----	---------------------------------------

## გაზონის საკრეჭის ფუნქციონირების დაწყება/შეჩერება

პროდუქტის გამოყენება შესაძლებელია წვიმაში.

**▲ გაფრთხილება:** ნებისმიერმა გაზონის საკრეჭის ექსპლუატაციამ შეიძლება გამოიწვიოს უცხო ობიექტების თქვენს თვალეში მოხვედრა, რამაც შეიძლება ძალიან დაზიანოს თვალეები. ყოველთვის გეკეთოთ უსაფრთხოების სათვალეები გაზონის საკრეჭთან მუშაობის დროს ან მისი ნებისმიერი რეგულირების ან შეკეთების დროს.

**შენიშვნა:** დანა გააგრძელებს ბრუნვას რამდენიმე წამის შემდეგ, როდესაც გაზონის საკრეჭი გამოირთვება. დაელოდეთ ელექტროძრავის/დანის გაჩერებას, სანამ თავიდან ამუშავებთ მას. სწრაფად არ ჩართოთ და გამორთოთ გაზონის საკრეჭი.

**▲ გაფრთხილება:** შეაჩერეთ დან(ებ)ი, თუ საჭიროა გაზონის საკრეჭის გადახრა მისი ტრანსპორტირებისას, როდესაც გადაკვეთავთ რაიმე ზედაპირს ბალახის გარდა და როდესაც მოწყობილობა გადააკვებთ მოსათიბ ტერიტორიაზე ან იქიდან.

**▲ გაფრთხილება:** არ გადახაროთ მოწყობილობა, როდესაც ძრავს რთავთ, გარდა იმ შემთხვევებისა, როდესაც საჭიროა გაზონის საკრეჭის გადახრა მის ასამუშავებლად. ამ შემთხვევაშიც არ გადახაროთ ხელსაწყო იმაზე მეტად, ვიდრე აბსოლუტურად საჭიროა და აჩიეთ მხოლოდ მომხმარებლისგან მოთხოვნილი მყოფი ნაწილი.

გამოყენებამდე ყოველთვის ვიზუალურად შეამოწმეთ ხელსაწყო, რათა ნახოთ, რომ დანა, დანის ჭანჭიკი არ არის გაცვეთილი ან

დაზიანებული. შეცვალეთ გაცვეთილი ან დაზიანებული დანა და ჭანჭიკები ერთად, რათა დაიცვათ ბალანსი.

## შეამოწმეთ საჭრელი დანის დაბლოკვა

- დაბლოკვის თავიდან ასაცილებლად, დაიცავით საკრეჭი დანის და პლატფორმის სისუფთავე. ამოიღეთ ბალახის ნარჩენები, ფოთლები, ჭუჭყი და სხვა დაგროვილი ნარჩენები ყოველი გამოყენების წინ და შემდეგ.
- დაბლოკვის შემთხვევაში, შეაჩერეთ გაზონის საკრეჭი და ამოიღეთ აკუმულატორის ბლოკი, შემდეგ მოაშორეთ ბალახის და ფოთლების ნარჩენები ღერძს და ძრავის ვენტოლატორს. გაწმინდეთ გაზონის საკრეჭი ნოტიო ქსოვილით.

**ყურადღება:** არ შეეცადოთ ელექტრო კვების დილაკისა და საჭრელი დანის ბრუნვის ბერკეტის მუშაობის შენაცვლებას.

**შენიშვნა:** ძრავის ამუშავება შეუძლებელია, სანამ სახელური ჩაკეტილია სამი სამუშაო პოზიციიდან ერთ-ერთში.

## გაზონის საკრეჭი მანქანის ამუშავება (ნახ. N1 და N2)

1. ჩასვით აკუმულატორის ბლოკი გაზონის საკრეჭში და დახურეთ აკუმულატორის განყოფილების საფარი.
2. დააჭირეთ ჩართვის დილაკს პანელის გასანათებლად და გაზონის საკრეჭის სტატუსის ინდიკატორი - დანის სიჩქარის ინდიკატორი 1 გაანათებს.
3. დააჭირეთ დანის სიჩქარის რეჟიმის დილაკს სასურველი სიჩქარის ასარჩევად.
4. დააჭირეთ და დააყოვნეთ თითო ჩართვის დილაკზე.
5. ჩართვის დილაკიდან ხელის აუღებლად, მოაჩიეთ საჭრელი დანის ბრუნვის ტრიგერი სახელურის გასათანაბრებლად და აუშვით ხელი ჩამრთველი დილაკიდან.

## გაზონის საკრეჭის გაჩერება (ნახ. N3)

1. სრულიად გაუშვით ხელი საჭრელი დანის ბრუნვის ჩამრთველს.
2. ელექტრო მუხრუჭი ავტომატური მუხრუჭის მექანიზმში გააჩერებს დანის ბრუნვას საჭრელი დანის ბრუნვის ჩამრთველზე ხელის აშვებიდან 3 წამში.

KA

**ცვალებადი სიჩქარის თვით-სვლის სისტემა (სურ. P)**

გაზონის საკრეჭი აღჭურვილია ცვლადი სიჩქარის მქონე თვით-სვლის მექანიზმით. ეს თვით-სვლის სისტემა არ არის დამოკიდებული დანის ბრუნვაზე.

**თვით-სვლის სისტემის მუშაობა დანის ბრუნვის გარეშე**

1. პანელის გასანათებლად დააჭირეთ დენის ჩართვის ღილაკს.
2. ოდნავ მოატრიალეთ თვით-სვლის სიჩქარის კონტროლის ღილაკი წინ, სანამ დაწკაპუნების ხმას არ გაიგებთ, შემდეგ დააჭირეთ თვით-სვლის ტრიგერს. დამონტაჟებულია ორი თვით-სვლის ტრიგელი, დააჭირეთ რომელიმე ტრიგერს თვით-სვლის ფუნქციის გასააქტიურებლად.

**თვით-სვლის გამოსართველად** აუშვით თითო თვით-სვლის ბერკეტიდან.

P-1	თვით-სვლის მექანიზმის სიჩქარის ციფერბლატი	P-2	თვითმობ-რავი ცელი
-----	---	-----	-------------------

**შუქდიოდური ფარები (ნახ. Q)**

**წინა ფარების ჩასართავად** დააჭირეთ LED ფარების ღილაკს. პროექტორები ანათებენ კაშკაშა სინათლით გაზონის საკრეჭის წინ.

**ფარების გამოსართველად** კვლავ დააჭირეთ ღილაკს.

**გაზონის საკრეჭი მანქანის სტატუსის ინდიკატორი (ნახ. A2)**

გაზონის საკრეჭის სტატუსის ინდიკატორი პანელზე აჩვენებს მისი მუშაობის სტატუსს.

ინდიკატორი	აღწერა	მნიშვნელობა	მოქმედება
	მუქი მწვანე	გაზონის საკრეჭი სათანადოდ მუშაობს.	საჭირო არ არის.
	მოციმციმე მწვანე მუქი	გვერდითი ძელაკები არ არის სრულად გაშლილი.	გააჩერეთ გაზონსაკრეჭი და დარწმუნდით, რომ ორივე გვერდითა ძელაკი სრულად გაშლილია.
		სახელური არ არის ჩაკეტილი სამუშაო პოზიციაში.	გააჩერეთ გაზონის საკრეჭი და დარწმუნდით, რომ სახელური ჩაკეტილია ერთ-ერთ სამუშაო პოზიციაში.
	მოციმციმე წითელი მუქი	დამჯდარი აკუმულატორის დამუხტვა.	გააჩერეთ გაზონსაკრეჭი და დატენეთ აკუმულატორი.
	მუქი ნარიჯისფერი	გაზონის საკრეჭი მანქანა გადახურებულია.	აუშვით ხელი დანის ბრუნვის ჩამრთველს, დაელოდეთ, სანამ გაზონის საკრეჭის ტემპერატურა 80 °ზე დაბლა არ დაეცემა. იხილეთ „გაზონის საკრეჭის დაცვა მაღალი ტემპერატურისგან“ ქვემოთ.

**KA**

ინდიკატორი	აღწერა	მნიშვნელობა	მოქმედება
	მოციმციმე ნარინჯისფერი შუქი	გაზონის საკრეჭი მანქანა გადატვირთულია.	<ol style="list-style-type: none"> <li>1. მოხსენით აკუმულატორის ბლოკი, შემდეგ შეამოწმეთ, ხომ არ დაგროვდა ბალახი პლატფორმის ქვეშ. საჭიროების შემთხვევაში გაწმინდეთ.</li> <li>2. კრეჭვისას, შეანელოთ ტემპი.</li> <li>3. გაზარდეთ ჭრის სიმაღლე.</li> <li>4. თუ ზემოთ მითითებული საშუალებები არ უშველის, მიმართეთ EGO-ს კლიენტთა მომსახურების სამსახურს.</li> </ol> <p>იხილეთ ქვემოთ „გაზონის საკრეჭის ზედმეტად დატვირთვისგან დაცვა“.</p>
	მონაცვლეობით მოციმციმე წითელი/მწვანე შუქი	გაზონის საკრეჭის ელექტრო სისტემის შეცდომა.	მიმართეთ EGO-ს კლიენტთა მომსახურების ცენტრს.

## გაზონის საკრეჭის დაცვა მაღალი ტემპერატურისგან

თუ გაზონის საკრეჭის ტემპერატურა 90 °C -ს გადაჭარბებს მუშაობის პროცესში, ტემპერატურის დამცავი სისტემა მაშინვე გამორთავს მოწყობილობას გადახურებით გამოწვეული ზიანის თავიდან აცილების მიზნით.

გაზონის საკრეჭის სტატუსის ინდიკატორი განათდება ნარინჯისფრად. გამორთეთ დანის ბრუნვის ტრიგერი და დაელოდეთ, სანამ გადახურებული მოწყობილობა არ გაცივდება და სტატუსის ინდიკატორი გამწვანდება, შემდეგ გადატვირთეთ მანქანა.

## გაზონის საკრეჭის ზედმეტად დატვირთვისგან დაცვა

ზედმეტად დატვირთვის თავიდან ასაცილებლად, არ გაკრიჭოთ ერთბაშად დიდი რაოდენობის ბალახი. შეამცირეთ თქვენი ტემპი ან აწიეთ ჭრის სიმაღლე.

გაზონის საკრეჭში არის ჩამონტაჟებული სათიბი მანქანის ზედმეტად დატვირთვისგან დაცვის მექანიზმი. როდესაც გაზონის საკრეჭი გადატვირთულია, ძრავა გაჩერდება და გაზონის საკრეჭის სტატუსის ინდიკატორი გაანათებს ნარინჯისფრად.

## ტექნიკური მომსახურება

**⚠ გაფრთხილება:** გაწმენდამდე, ნებისმიერი სახის ტუქ. მომსახურებისას ან ტრანსპორტირებისას სერიოზული დაზიანების თავიდან ასაცილებლად, ყოველთვის გამორთეთ გაზონის საკრეჭი, ამოიღეთ აკუმულატორის ბლოკი და დარწმუნდით, რომ ყველა მოძრავი ნაწილი სრულად გაჩერებულია.

**⚠ გაფრთხილება:** რეგულარულად ჩატარეთ ხელსაწყო ტექნომსახურება.

**⚠ გაფრთხილება:** გააჩერეთ მოწყობილობა და ამოიღეთ აკუმულატორის ბლოკი, რათა დარწმუნდეთ, რომ ყველა მოძრავი ნაწილი მთლიანად გაჩერდა უცხო სანაგზე დარტყმის შემდეგ, და შეამოწმეთ, ხომ არ არის მოწყობილობა დაზიანებული და შეაკეთეთ მოწყობილობის გადატვირთვამდე და ამუშავებამდე.

**⚠ გაფრთხილება:** გააჩერეთ მოწყობილობა და ამოიღეთ აკუმულატორის ბლოკი, რათა დარწმუნდეთ, რომ ყველა მოძრავი ნაწილი მთლიანად გაჩერდა, თუ მოწყობილობა დაიწყებს უჩვეულო ვიბრაციას, და შემდეგ დაუყოვნებლივ შეამოწმეთ დაზიანება, შეცვალეთ ან შეაკეთეთ დაზიანებული ნაწილები და შეამოწმეთ და მოუჭირეთ მოშვებულ ნაწილებს.

KA

**⚠ გაფრთხილება:** ტექნიკური მომსახურებისას გამოიყენეთ მხოლოდ იდენტური სათადარიგო ნაწილები. სხვა ნებისმიერი ნაწილის გამოყენებამ შესაძლოა შექმნას საფრთხე ან გამოიწვიოს მოწყობილობის დაზიანება. უსაფრთხოებისა და საიმედოობის უზრუნველსაყოფად, ყველა სახის შეკეთება უნდა ჩატარდეს ტექ. მომსახურების კვალიფიციური სპეციალისტის მიერ.

### ხელსაწყოთა გაწმენდის წესი

გაზონის საკრეჭის დასადების ქვედა ნაწილი უნდა გასუფთავდეს ყოველი გამოყენების შემდეგ, რადგანაც ხდება მოჭრილი ბალახების, ფოთლებისა და სხვა ნარჩენების დაგროვება.

მოაშორეთ დაგროვილი ბალახის და ფოთლების ნარჩენები ღერძს და ძრავის ვენტილატორს. გაწმინდეთ გაზონის საკრეჭი ნოტიო ქსოვილით.

### საკრეჭო პირების კომპლექტის შეცვლა (ნახ. R1, R2, R3)

**⚠ გაფრთხილება:** ყოველთვის მოხსენით აკუმულატორის ბლოკი და ბალახის ტომარა.

**⚠ გაფრთხილება:** მუდამ ატარეთ დამცავი ხელთაბამანები.

**შენიშვნა:** დანის კომპლექტის დამონტაჟებამდე კარგად გასუფთავეთ წამყვანი ლილვის არე და აპარატის ქვედა მხარე.

1. ამოატრიალეთ გაზონის საკრეჭი თავდაყირა.
2. მოხსენით/დამონტაჟეთ ქანჩის გასაღებით და ორი ლითონის ღეროთი, როგორც ილუსტრაციაზეა ნაჩვენები.
3. ნაბეჭდიანი დანის მხარე უნდა იყოს მიმართული გარეთ.

### გაზონის საკრეჭის შენახვის წესი (S1 და S2)

- მოხსენით აკუმულატორის ბლოკი გაზონსაკრეჭიდან და მოათავსეთ გრილ, მშრალ და სუფთა ადგილას. არ შეინახოთ კოროზიულ მასალასთან ახლოს, როგორცაა სასუქი ან ქვამარილი.
- შენახვის წინ დაცალეთ ბალახის ტომარა.
- შენახვის წინ ყოველთვის გააგრილეთ სათიბი მოწყობილობა.

- გასუფთავება და ტექმომსახურება შენახვის წინ.
- შეინახეთ გაზონსაკრეჭი დახურულ სივრცეში, გრილ და მშრალ, ბავშვებისთვის მიუწვდომელ ადგილას.
- არ გადააფაროთ გაზონსაკრეჭს მყარი პლასტმასის სახურავი. პლასტმასის სახურავი წარმოქმნის სინესტეს გაზონსაკრეჭის გარშემო, რაც გამოიწვევს მანქანის დაჟანგვას და კოროზიას.
- გაზონის აკრეჭი შეიძლება შეინახოთ ვერტიკალურ ან ზრტყელ მდგომარეობაში (ნახ.S1 და S2).

**⚠ გაფრთხილება:** თუ გაზონის საკრეჭი ვერტიკალური პოზიციიდან გადმოიხრება, ის შესაძლოა დაზიანდეს ან მოგაყენოთ პირადი დაზიანება. ყოველთვის შეინახეთ გაზონსაკრეჭი ბავშვებისთვის მიუწვდომელ, სტაბილურ ადგილას, როდესაც ის ვერტიკალურად არის მოთავსებული. შემდგომში დაგვარად, შენახვისას მოათავსეთ ჰორიზონტალურ მდგომარეობაში.

### გარემოს დაცვა



ელექტრო ხელსაწყოების უტილიზაცია არ უნდა მოხდეს დაუხარისხებელ მუნიციპალურ ნარჩენებთან ერთად. გამოიყენეთ შეგროვების სპეციალური პუნქტები.

მიმართეთ ადგილობრივ ხელისუფლებას ნარჩენების შეგროვების არსებული სისტემების შესახებ ინფორმაციისთვის.

ელექტრო ხელსაწყოების ნაგავსაყრელებზე გადაყრის შემთხვევაში, საშიშმა ნივთიერებებმა შეიძლება გაჟონოს მიწისქვეშა წყლებში და მოხვდეს კვების ჯაჭვში და ზიანი მიყენოს თქვენს ჯანმრთელობას და კეთილდღეობას.

**KA**

## გაუმართაობის დიაგნოსტიკა

პრობლემა	გამომწვევი მიზეზი	გადაჭრის გზა
გაზონის საკრეჭი ან თვით-ცლის ფუნქცია ვერ ამოქმედდება.	<ul style="list-style-type: none"> <li>აკუმულატორის ბლოკი დაცლილია.</li> </ul>	<ul style="list-style-type: none"> <li>დატენეთ აკუმულატორის ბლოკი.</li> </ul>
	<ul style="list-style-type: none"> <li>აკუმულატორის ბლოკი არ დევს აკუმულატორის ნაკვეთურში სათანადოდ.</li> </ul>	<ul style="list-style-type: none"> <li>ჩასვით აკუმულატორის ბლოკი აკუმულატორის ნაკვეთურში, სანამ არ გაიგებთ „დაწყაპუნების“ ხმას.</li> </ul>
	<ul style="list-style-type: none"> <li>სახელური არ არის ჩაკეტილი სამუშაო პოზიციაში და საკრეჭის სტატუსი ანათებს მწვანედ.</li> </ul>	<ul style="list-style-type: none"> <li>გააჩერეთ გაზონის საკრეჭი და დარწმუნდით, რომ სახელური ჩაკეტილია სამუშაო პოზიციაში.</li> </ul>
	<ul style="list-style-type: none"> <li>გაზონის საკრეჭი მანქანის ქვედა ნაწილი გაჭედილია ბალახითა და ნარჩენებით.</li> </ul>	<ul style="list-style-type: none"> <li>გაწმინდეთ გაზონის საკრეჭის ქვედა ნაწილი და დადარწმუნდით, რომ დანის კომპლექტი თავისუფლად მოძრაობს.</li> </ul>
გაზონის საკრეჭი უსწორმასწოროდ ჭრის.	<ul style="list-style-type: none"> <li>დანის კომპლექტი ბლაგვია.</li> </ul>	<ul style="list-style-type: none"> <li>გაღესეთ ან შეცვალეთ დანა. დანის კომპლექტი.</li> </ul>
	<ul style="list-style-type: none"> <li>ბალახის ჭრის სიმაღლე არ არის სწორად დაყენებული.</li> </ul>	<ul style="list-style-type: none"> <li>გადაიყვანეთ ქვედა ნაწილის სიმაღლე უფრო მაღალ პარამეტრზე.</li> </ul>
	<ul style="list-style-type: none"> <li>დანის კომპლექტი არასწორადაა დამონტაჟებული.</li> </ul>	<ul style="list-style-type: none"> <li>ხელახლა დაამაგრეთ დანის კომპლექტი, მიყევით მომხმარებლის ინსტრუქციას ნაწილში „დანის კომპლექტის გამოცვლა“.</li> </ul>
	<ul style="list-style-type: none"> <li>დანის სიჩქარის რეჟიმი არ არის სწორად დაყენებული.</li> </ul>	<ul style="list-style-type: none"> <li>აირჩიეთ დანის სიჩქარის შესაბამისი რეჟიმი.</li> </ul>
გაზონის საკრეჭი მანქანა სწორად არ აკეთებს მულჩირებას.	<ul style="list-style-type: none"> <li>სველი ბალახის ნარჩენები მიწეპებულია ქვედა ნაწილზე უკანა მხრიდან.</li> </ul>	<ul style="list-style-type: none"> <li>დაელოდეთ სანამ ბალახი გამრება მოთიბვამდე.</li> </ul>
	<ul style="list-style-type: none"> <li>გაზონის საკრეჭი მანქანა მომართულია, მოჭრას ერთბაშად ძალიან ბევრი ბალახი.</li> </ul>	<ul style="list-style-type: none"> <li>აწიეთ პლატფორმა ჭრის მაღალ სიმაღლეზე დასაყენებლად.</li> </ul>
	<ul style="list-style-type: none"> <li>დანის სიჩქარის რეჟიმი არ არის სწორად დაყენებული.</li> </ul>	<ul style="list-style-type: none"> <li>აირჩიეთ დანის სიჩქარე უფრო დაბალ პარამეტრზე.</li> </ul>

KA



პრობლემა	გამომწვევი მიზეზი	გადაჭრის გზა
გაზონის საკრეჭი მოულოდნელად ჩერდება კრეჭვის დროს.	<ul style="list-style-type: none"> <li>აკუმულატორის ბლოკი დაცლილია.</li> </ul>	<ul style="list-style-type: none"> <li>დატენით აკუმულატორის ბლოკი.</li> </ul>
	<ul style="list-style-type: none"> <li>გაზონის საკრეჭი გადატვირთულია და გაზონის საკრეჭის სტატუსის ინდიკატორი ციმციმებს ნარინჯისფრად.</li> </ul>	<ul style="list-style-type: none"> <li>შეამოწმეთ, დაგროვდა თუ არა ბალახი ქვედა ნაწილის ქვეშ და გაწმინდეთ საჭიროების შემთხვევაში. აწიეთ ჭრის სიმაღლე ან შეამცირეთ ჭრის ტემპი.</li> </ul>
	<ul style="list-style-type: none"> <li>გაზონის საკრეჭის ქვედა ნაწილი გადაჭედებულია ბალახით და ნარჩენებით.</li> </ul>	<ul style="list-style-type: none"> <li>გათავისუფლეთ სათიბის ქვედა ნაწილი. გაზარდეთ ჭრის სიმაღლე და/ან გათიბეთ ვიწრო ზოლად.</li> </ul>
	<ul style="list-style-type: none"> <li>აკუმულატორის ბლოკის ან გაზონის საკრეჭის ელექტრო სქემა ზედმეტად გაცხელებულია. თუ აკუმულატორის ბლოკი გადახურებულია, გაზონის საკრეჭის სტატუსის ინდიკატორი გამოირთვება. თუ გაზონის საკრეჭი ზედმეტად გაცხელებულია, გაზონის საკრეჭის სტატუსის ინდიკატორი ანათებს ნარინჯისფრად.</li> </ul>	<ul style="list-style-type: none"> <li>მიეცით აკუმულატორს ბლოკს ან გაზონის საკრეჭს გაგრილების საშუალება.</li> </ul>
	<ul style="list-style-type: none"> <li>დანის სიჩქარის რეჟიმი არ არის სწორად დაყენებული.</li> </ul>	<ul style="list-style-type: none"> <li>აირჩიეთ დანის სიჩქარე უფრო დაბალ პარამეტრზე.</li> </ul>
	<ul style="list-style-type: none"> <li>გაზონის საკრეჭის ელექტრონიკის შეცდომა და გაზონის საკრეჭის სტატუსის ინდიკატორი მონაცვლეობით ანათებს წითლად/ მწვანედ.</li> </ul>	<ul style="list-style-type: none"> <li>დაუკავშირდით EGO-ს მომსახურების ცენტრს.</li> </ul>
აქვს გადაჭარბებული ვიბრაცია.	<ul style="list-style-type: none"> <li>დანის კომპლექტი არის მოშვებული.</li> </ul>	<ul style="list-style-type: none"> <li>მოუჭირეთ დანის ჭანჭიკი.</li> </ul>
	<ul style="list-style-type: none"> <li>საჭრელი დანის კომპლექტი არ არის დაბალანსებული.</li> </ul>	<ul style="list-style-type: none"> <li>დაუკავშირდით EGO-ს მომსახურების ცენტრს.</li> </ul>
	<ul style="list-style-type: none"> <li>დანა გადახრილია.</li> </ul>	<ul style="list-style-type: none"> <li>შეცვალეთ დანა.</li> </ul>
	<ul style="list-style-type: none"> <li>ძრავის ღერძი გადახრილია.</li> </ul>	<ul style="list-style-type: none"> <li>დაუკავშირდით EGO-ს მომსახურების ცენტრს.</li> </ul>
	<ul style="list-style-type: none"> <li>გაზონის საკრეჭი მანქანა მომართულია, მოჭრას ერთბაშად ძალიან ბევრი ბალახი.</li> </ul>	<ul style="list-style-type: none"> <li>აწიეთ პლატფორმა ჭრის მაღალ სიმაღლეზე დასაყენებლად.</li> </ul>
	<ul style="list-style-type: none"> <li>დანის სიჩქარის რეჟიმი არ არის სწორად დაყენებული.</li> </ul>	<ul style="list-style-type: none"> <li>დააყენეთ დანის სიჩქარე უფრო დაბალ პარამეტრზე.</li> </ul>

**KA**

პრობლემა	გამომწვევი მიზეზი	გადაჭრის გზა
მრავა მუშაობს, მაგრამ დანის კომპლექტი არ ჭრის ბალახს.	<ul style="list-style-type: none"> <li>■ დანის კომპლექტის ჭანჭიკი არ არის სათანადოდ მოჭერილი.</li> </ul>	<ul style="list-style-type: none"> <li>■ ხელახლა მოუჭირეთ დანის კომპლექტის ჭანჭიკს. დანის ჭანჭიკისთვის რეკომენდებული ზრუნვის მომენტი არის 50-60 წმ.</li> </ul>
წამჭრელის ამომრჩევის დილაკის ერთი გვერდიდან მეორეზე გადაადგილების სირთულე.	<ul style="list-style-type: none"> <li>■ სრიალა კარის თავზე ზედმეტი წაჭრილი ბალახი დაგროვდა.</li> </ul>	<ul style="list-style-type: none"> <li>■ გაწმინდეთ ბალახი სათიბის პლატფორმიდან კარის ყოველი გამოყენების შემდეგ.</li> </ul>

## გარანტია

### EGO-ს საგარანტიო პოლიტიკა

გთხოვთ, ეწვიოთ ვებ-გვერდს [egopowerplus.eu](http://egopowerplus.eu) და სრულად გაეცნოთ EGO-ს საგარანტიო პოლიტიკის წესებს და პირობებს.

## PROČITAJTE SVA UPUTSTVA!

**Predviđena upotreba:** Proizvod je namenjen za ručno košenje travnjaka:

- Koristite samo za košenje suve trave. Ne kosite mokru travu.
- Ne koristite ni za kakve druge svrhe.

**⚠ UPOZORENJE:** Obavezno pročitajte i shvatite sva sigurnosna uputstva u ovom Priručniku za rukovaoca, obuhvatajući i sve simbole sigurnosnih upozorenja poput „OPASNOST“, „UPOZORENJE“ i „OPREZ“ pre korišćenja ove mašine. Nepridržavanje svih dole navedenih uputstava može da dovede do strujnog udara, požara i/ili ozbiljne telesne povrede.

## SIGURNOSNI SIMBOLI



Sigurnosno upozorenje



Uvek nosite zaštitu sluha, sigurnosne naočare sa bočnim štitnicima i masku za celo lice kad rukujete ovim proizvodom.



Čuvajte se izbačenih predmeta – držite prolaznike podalje.



Držite šake podalje



Garantovani nivo zvučne snage.



Ovaj proizvod je u skladu sa primenljivim zakonima UK.

IPX4 Zaštita od zapljuskivanja vode

mm Milimetar

⚡ Jednosmerna struja



Da bi smanjio rizik od povreda, korisnik pre korišćenja ovog proizvoda mora pročitati i shvatiti priručnik za rukovaoca.



Isključite mašinu i uklonite odvojivu bateriju (ili blokadu) pre podešavanja ili čišćenja.



Držite šake i stopala dalje od sečiva



Nemojte gledati u uključenu lampu.



Ovaj proizvod je u skladu sa primenljivim Direktivama EU.




Otpadni električni proizvodi ne smeju da se odlažu sa otpadom iz domaćinstva. Odnosite ih u ovlašćeni centar za reciklažu.

V Volt

cm Centimetar

kg Kilogram

## SPECIFIKACIJE

Napon	56 V 	
Režim brzine sečiva	2	
	1	
	EKO	
Položaji visine košenja	8	
Postavke visine košenja	25 mm / 33 mm / 43 mm / 54 mm / 66 mm / 79 mm / 92 mm / 105 mm	
Širina košenja	55 cm	
Zapremina vreće za travu	85 L	
Težina kosilice (sa vrećom za travu i baterijom BA6720T)	37 kg	
Model kompleta sečiva	AB2212D-E	
Preporučena radna temperatura	Od 0 do 40 °C	
Preporučena temperatura skladištenja	Od -20 do 70 °C	
Izmereni nivo zvučne snage $L_{WA}$	95 dB(A) K=0,7 dB(A)	
Nivo zvučnog pritiska na uhu rukovaoca $L_{PA}$	83 dB(A) K=3 dB(A)	
Garantovani nivo zvučne snage $L_{WA}$ (izmereno u skladu sa 2000/14/EC)	96 dB(A)	
Procena vibracije $a_{h^*}$ :	Leva drška	1,35 m/s <sup>2</sup> K=1,5 m/s <sup>2</sup>
	Desna drška	1,35 m/s <sup>2</sup> K=1,5 m/s <sup>2</sup>

- Deklarisane ukupne vrednosti vibracija su izmerene u skladu sa standardnom metodom ispitivanja i mogu da se primenjuju za poređenje jedne mašine sa drugom.
- Deklarisana ukupna vrednost vibracije može se koristiti i u preliminarnoj proceni izlaganja.

**SR**

**⚠ UPOZORENJE:** Emisija vibracija tokom stvarne upotrebe mašine može da se razlikuje od deklarisanе vrednosti u kojoj se mašina koristi. Da bi se rukovalac zaštitio, korisnik bi trebalo da nosi rukavice i štitičke za uši u stvarnim uslovima korišćenja.

**⚠ UPOZORENJE:** Potrebno je da se identifikuju sigurnosne mere za zaštitu rukovaoca koje su zasnovane na proceni izlaganja u stvarnim uslovima upotrebe (uzimajući u obzir sve delove radnog ciklusa, poput vremena kad je alat isključen i kad radi bez opterećenja, pored vremena rada sa opterećenjem).

## POPIS PAKOVANJA (SLIKA A1 I A2)

NAZIV DELA	KOLIČINA
Kosilica za travu	1
Vreća za travu	1
Okvir vreće za travu	1
Priručnik za rukovaoca	1

## OPIS

**UPOZNAJTE SVOJU KOSILICU (Slika A1 i A2)**

1. Drška
2. Bočna šina
3. Spona za zaključavanje ručice
4. Zadnja izlazna vrata
5. Drška za podizanje
6. Poklopac odeljka za bateriju
7. LED prednja svetla
8. Dugme za biranje seckanja
9. Prednji točak
10. Dugme za podešavanje visine košenja
11. Platforma
12. Ulaz vazduha
13. Zadnji točak
14. Poluga za brzo podešavanje
15. Vreća za travu
16. Zadnji štitičnik
17. Okidač rotacije sečiva
18. Okidač sopstvenog pogona
19. Dugme za brzinu sopstvenog pogona
20. Dugme za režim brzine sečiva
21. Dugme napajanja
22. Dugme za LED prednja svetla
23. Ikona LED prednjeg svetla
24. Indikator LED prednjeg svetla
25. Indikator statusa kosilice
26. Ikona sečiva

- 27. Indikator režima brzine sečiva
- 28. Ikonica statusa kosilice

## SKLAPANJE

**⚠ UPOZORENJE:** Ako su neki delovi oštećeni ili nedostaju, nemojte koristiti ovaj proizvod dok delovi ne budu zamenjeni. Korišćenje ovog proizvoda sa oštećenim ili nedostajućim delovima može dovesti do ozbiljnih telesnih povreda.

**⚠ UPOZORENJE:** Radi sprečavanja iznenadnog pokretanja koje može da uzrokuje teške telesne povrede, uvek izvadite bateriju iz mašine kada sastavljate delove.

**⚠ UPOZORENJE:** Ne pokušavajte da modifikujete ovu mašinu ili da pravite dodatke koji nisu preporučeni za korišćenje sa ovom kosilicom. Svaka takva promena ili modifikacija je zloupotreba i može dovesti do opasnih uslova koji dovode do ozbiljnih povreda.

### RASPAKIVANJE

- Izvadite sav pribor iz kutije.
- Uхватite prednji deo kosilice i dršku za podizanje u isto vreme da biste pažljivo podigli kosilicu gore i van kutije.

### PODEŠAVANJE SKLOPIVE RUČICE

**⚠ UPOZORENJE:** Ne pokušavajte da pokrenete kosilicu dok ručica ne bude zaključana u jednom od tri unapred podešena radna položaja: GORNJI RADNI POLOŽAJ, SREDNJI RADNI POLOŽAJ i DONJI RADNI POLOŽAJ.

1. Pritisnite i držite polugu za brzo podešavanje da biste otključali dršku iz ZAKLJUČANOG POLOŽAJA ZA SKLADIŠTENJE (slika B1).

B1-1	Poluga za brzo podešavanje
------	----------------------------

2. Podignite ručicu iz sklopljenog položaja, zatim pustite polugu. Nežno okrenite ručicu nagore dok ne čujete i ne osetite da se igla za zaključavanje zakačila u jednom od sledećih različitih položaja prikazanih na slici B2.

B2-1	Zaključani položaj za skladištenje	B2-2	Položaj stavljanja/skidanja vreće za travu
B2-3	Gornji radni položaj	B2-4	Srednji radni položaj
B2-5	Donji radni položaj		

3. Izvucite bočne šine do kraja pa ponovo čvrsto zatvorite sponu za zaključavanje ručke (slika B3).

**NAPOMENA:** Motor se ne može pokrenuti dok se ne ispune sledeći uslovi:

- Bočne šine su izvučene do kraja.
- Zelena spona za zaključavanje ručke je čvrsto zatvorena.
- Ručica je zaključana u jedan od tri radna položaja.

### SKLAPANJE VREĆE ZA TRAVU (Slika C1, C2, C3)

Proverite vreću za travu pre sklapanja, da biste se uverili da nema oštećenja.

Sklopite vreću za travu prema ilustracijama.

### DUGME ZA BIRANJE SECKANJA (Slika D)

Postavite dugme za biranje seckanja u bilo koji od pet položaja da biste postigli željene rezultate košenja.

Dugme može da podesi klizna vrata od potpuno otvorenog položaja „VREĆA“ do potpuno zatvorenog položaja „MALČ“.

Podešavanjem dugmeta za biranje seckanja se mogu ispuniti različiti uslovi košenja.

**Da biste promenili položaj dugmeta,** izvucite dugme iz blokade i postavite ga u željeni položaj.

**OBAVEŠTENJE:** Ako primetite velik otpor kad pomerate dugme za biranje seckanja sa jedne na drugu stranu, možda se nakupilo previše trave na gornjem delu kliznih vrata. Očistite travu ispod platforme kosilice nakon svake upotrebe.

D-1	Klizna vrata	D-2	„MALČ“ položaj
D-3	Dugme za biranje seckanja	D-4	„VREĆA“ položaj

### POLOŽAJ KLIZNIH VRATA

Klizna vrata mogu da se postave tako da daju različite rezultate košenja. Da biste saznali razliku između položaja, instalirajte vreću za travu i počnite da kosite sa dugmetom za biranje seckanja sasvim u položaju „VREĆA“. Proverite izgled travnjaka. Kako se dugme pomera prema položaju „MALČ“, više trave će biti reciklirano nazad na travnjak. Podesite dugme za biranje seckanja dok ne postignete željeni rezultat. Hibridni režim pakovanja u vreću / malčiranja će rezultirati čistim i finim košenjem.

- **Kad je dugme za biranje seckanja u položaju „VREĆA“,** klizna vrata su potpuno otvorena, omogućavajući da sva pokošena trava uđe u vreću (slika E1).

**SR**

- **Kad je dugme za biranje seckanja u hibridnim položajima pakovanja u vreću / malčiranja**, klizna vrata su delimično zatvorena. Deo pokošene trave će ići u vreću a deo će biti fino malčiran i usmeren na tlo (slika E2).
- **Kad je dugme za biranje seckanja u položaju „MALČ“**, klizna vrata su potpuno zatvorena. Sva pokošena trava će biti fino malčirana i usmerena na tlo (slika E3).

## BOČNO IZBACIVANJE

### Za pričvršćivanje/uklanjanje bočnog izlaznog otvora (prodaje se zasebno)

**OBAVEŠTENJE:** Vodite računa da donja strana platforme bude čista pre korišćenja bočnog izlaznog otvora.

- Uklonite vreću za travu i postavite dugme za biranje seckanja u položaj „VREĆA“.
- Instalirajte bočni izlazni otvor na kosilicu kako je prikazano na slici F.

## POTPUNO PAKOVANJE U VREĆU

### Za pričvršćivanje/uklanjanje vreće za travu

**⚠ UPOZORENJE:** U normalnoj upotrebi, materijal vreće za travu je podložan habanju. Da bi se smanjio rizik od povreda, često pregledajte vreću za travu i zamenite vreću ako postoje znaci habanja ili propadanja. Koristite isključivo vreće za travu proizvedene za ovu kosilicu.

**OBAVEŠTENJE:** Vodite računa da donja strana platforme bude čista pre korišćenja vreće za travu.

- Uklonite bočni izlazni otvor i postavite dugme za biranje seckanja u položaj „VREĆA“.
- Instalirajte vreću za travu na kosilicu kako je prikazano na slici G.

## POTPUNO MALČIRANJE (Slika H)

- Uklonite vreću za travu.
- Pustite zadnja izlazna vrata.
- Postavite dugme za biranje seckanja u položaj „MALČ“.

## HYBRIDNA PAKOVANJA U VREĆU / MALČIRANJA (Slika J)

- Pričvrstite vreću za travu.
- Postavite dugme za biranje seckanja u jedan od tri hibridna položaja pakovanja u vreću / malčiranja.

**NAPOMENA:** Kako se dugme za biranje seckanja pomera prema položaju „MALČ“, više trave će biti reciklirano nazad na travnjak.

Kako se dugme za biranje seckanja pomera prema položaju „VREĆA“, više trave će biti izbačeno kroz zadnji izlaz u vreću za travu.

## PODEŠAVANJE VISINE KOŠENJA (Slika K)

Držite stopala dalje od ploče kad podešavate visinu košenja.

Kosilica može biti podešena na 8 visina košenja između 25 mm i 105 mm. Oznaka pokazuje izabranu visinu košenja.

Izaberite odgovarajuću visinu košenja prema tipu i stanju trave koju ćete kositi.

1. Isključite kosilicu i sačekajte da se nož za sečenje potpuno zaustavi.
2. Izvadite bateriju.
3. Izvucite polugu za podešavanje visine košenja iz blokade i postavite je u željeni položaj.

**NAPOMENA:** Da biste izbegli preopterećenje motora, izbegavajte postavljanje visine košenja prenisko u visokoj travi. Ako brzina motora počne da se smanjuje, povećajte visinu košenja.

## RAD

Uvek izvadite bateriju iz proizvoda kad sklapate delove, podešavate, čistite ili kad ga ne koristite. Vađenje baterije će sprečiti nehotično pokretanje koje bi moglo da izazove ozbiljne telesne povrede.

## SPAJANJE/ODVAJANJE AKUMULATORA (Slika L)

Koristite samo sa EGO akumulatorima i punjačima navedenim na slici A3.

Pogledajte odgovarajuće priručnike za bateriju i punjač radi više detalja.

## Potpuno napunite pre prve upotrebe

1. Podignite poklopac odeljka za baterije tako što ćete podići prednji deo poklopca.
2. **Za spajanje**, poravnajte rebra baterije sa prorezima za montiranje i pritisnite bateriju nadole dok ne čujete „škljoc“.
3. **Za odvajanje**, pritisnite dugme za oslobađanje baterije i izvucite akumulator napolje.
4. Zatvorite poklopac odeljka za baterije.

**OBAVEŠTENJE:** Vodite računa da reza na kosilici škljocne na svoje mesto i da baterija bude pričvršćena na kosilicu pre započinjanja rada.

## BIRANJE REŽIMA BRZINE SEČIVA (Slika M)

- **Režim 2** je režim velike brzine sečiva za učinak visokog izbacivanja da bi se poboljšala sila usisavanja ili učinak košenja.
- **Režim 1** je najbolja ravnoteža između učinka i vremena rada.
- **Režim EKO** pruža najniži nivo buke i najduže vreme rada akumulatora.

**NAPOMENA:** Brzina sečiva ne može da se podešava tokom rada. Promena će imati dejstvo tek nakon što se motor stopira i ponovo startuje.

Izaberite između režima 2, 1 ili EKO uzastopnim pritiskanjem dugmeta za režim brzine sečiva.

**NAPOMENA:** Podrazumevani režim brzine sečiva je 1.

M-1	Indikator brzine sečiva	M-2	Dugme za režim brzine sečiva
-----	-------------------------	-----	------------------------------

## POKRETANJE/ZAUSTAVLJANJE KOSILICE

Proizvod se može koristiti po kiši.

**⚠ UPOZORENJE:** Rukovanje svakom kosilicom za travu može da dovede do izbacivanja stranih predmeta ka vašim ili tuđim očima, što može ozbiljno da ošteti oči. Uvek nosite zaštitne naočare tokom rukovanja kosilicom ili tokom svih podešavanja ili popravki na kosilici.

**OBAVEŠTENJE:** Nož će nastaviti da se okreće nekoliko sekundi nakon isključivanja kosilice. Sačekajte da motor/nož prestane da se okreće pre no što je ponovo pokrenete. Nemojte brzo uključivati i isključivati kosilicu.

**⚠ UPOZORENJE:** Zaustavite sečivo ako treba da nagnete kosilicu za travu radi transporta kad prelazite preko površina koje nisu travnate i kad transportujete kosilicu za travu do površine koju ćete kositi i od nje.

**⚠ UPOZORENJE:** Ne naginjite kosilicu za travu dok počinjete uključivanje motora, osim ako kosilica za travu mora biti nagnuta za pokretanje. U tom slučaju, ne naginjite više nego što je apsolutno neophodno i podignite samo onaj deo koji je dalje od rukovaoca.

Pre korišćenja, uvek vizuelno pregledajte mašinu da biste proverili da li su sečivo i zavrtanj sečiva pohabani ili oštećeni. Zamenite pohabano ili oštećeno sečivo i zavrtanj u kompletu da biste očuvali balans.

## Proverite da li je sečivo blokirano

- Da biste sprečili blokadu, održavajte sečivo i platformu kosilice čistima. Uklonite pokošenu travu, lišće, zemlju i svu ostalu nagomilanu prljavštinu pre i posle svake upotrebe.

- Kad dođe do blokade, zaustavite kosilicu i izvadite akumulator a zatim uklonite svu nagomilanu travu i lišće na pogonskom vratilu i ventilatoru motora i oko njih. Obrisite kosilicu vlažnom krpom.

**OPREZ:** Ne pokušavajte da zaobidete funkciju dugmeta napajanja i okidača rotacije sečiva.

**NAPOMENA:** Motor se ne može pokrenuti ako ručka nije zaključana u jednom od tri radna položaja.

## Za startovanje kosilice (Slika N1 i N2)

1. Spojite akumulator na kosilicu i zatvorite poklopac odeljka za baterije.
2. Pritisnite dugme napajanja da biste osvetlili kontrolnu tablu pa će se indikator statusa kosilice – indikator brzine sečiva za režim 1 osvetliti.
3. Pritisnite dugme za režim brzine sečiva da biste izabrali željenu brzinu.
4. Pritisnite i držite dugme napajanja.
5. Dok je dugme napajanja pritisnuto, povucite okidač rotacije sečiva dok ne dođe do drške pa pustite dugme napajanja.

## Za stopiranje kosilice (Slika N3)

1. Potpuno pustite okidač rotacije sečiva.
2. Električna kočnica u automatskom kočionom mehanizmu će zaustaviti okretanje noža u roku od 3 sekunde od puštanja okidača rotacije sečiva.

## SISTEM SOPSTVENOG POGONA SA VARIJABILNOM BRZINOM (Slika P)

Kosilica je opremljena mogućnošću sopstvenog pogona sa varijabilnom brzinom. Ovaj sistem sopstvenog pogona je nezavisan od rotacije sečiva.

## Za rukovanje sistemom sopstvenog pogona bez rotacije noža

1. Pritisnite dugme napajanja da bi se osvetlila kontrolna tabla.
2. Blago okrenite dugme za brzinu sopstvenog pogona unapred dok ne čujete škljoc, zatim pritisnite okidač sopstvenog pogona. Postoje dva okidača sopstvenog pogona, pritisnite bilo koji od njih da biste startovali funkciju sopstvenog pogona.

**Za isključivanje sopstvenog pogona,** pustite okidač sopstvenog pogona.

P-1	Dugme za brzinu sopstvenog pogona	P-2	Okidač sopstvenog pogona
-----	-----------------------------------	-----	--------------------------

SR




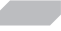


## LED PREDNJA SVETLA (Slika Q)

**Za uključivanje prednjeg svetla,** pritisnite dugme za LED prednja svetla. Prednja svetla daju jarku svetlost ispred kosilice.

**Za isključivanje prednjeg svetla,** pritisnite dugme ponovo.

## INDIKATORI STATUSA KOSILICE (Slika A2)

Indikator statusa kosilice na kontrolnoj tabli pokazuje radni status kosilice.

Indikator	Opis	Značenje	Akcija
	Neprekidno zeleno	Kosilica radi pravilno.	Nije potrebna.
	Bljeska zeleno	Bočne šine nisu izvučene do kraja.	Zaustavite kosilicu i proverite da li su bočne šine izvučene do kraja.
		Ručka nije zaključana u radnom položaju.	Zaustavite kosilicu i proverite da li je ručka zaključana u jednom od tri radna položaja.
	Bljeska crveno	Niska napunjenost baterije.	Zaustavite kosilicu i napunite bateriju.
	Neprekidno narandžasto	Kosilica je pregrejana.	Pustite žičani prekidač, sačekajte dok temperatura kosilice ne padne ispod 80 °C. Pogledajte „ <b>ZAŠTITA KOSILICE OD VISOKE TEMPERATURE</b> “ ispod.
	Bljeska narandžasto	Kosilica je preopterećena.	<ol style="list-style-type: none"> <li>1. Izvadite bateriju, potom proverite da li se trava nakupila ispod ploče. Očistite ako je neophodno.</li> <li>2. Usporite korak kad kosite.</li> <li>3. Povećajte visinu košenja.</li> <li>4. Ako gornja rešenja ne uspeju, obratite se EGO korisničkoj službi.</li> </ol> Pogledajte „ <b>ZAŠTITA KOSILICE OD PREOPTEREĆENJA</b> “ ispod.
	Naizmenično bljeska crveno/zeleno	Greška elektronike kosilice.	Obratite se EGO korisničkoj službi.



## ZAŠTITA KOSILICE OD VISOKE TEMPERATURE

Ako temperatura kosilice pređe 90 °C tokom rada, strujno kolo zaštitite od temperature odmah će isključiti kosilicu da bi sprečilo oštećenje od pregrevanja.

Indikator statusa kosilice će svetleti neprekidno narandžasto. Pustite okidač rotacije sečiva i sačekajte da se pregrejana kosilica ohladi i indikator statusa postane zelen a zatim ponovo pokrenite kosilicu.

## ZAŠTITA OD PREOPTEREĆENJA KOSILICE

Da biste sprečili uslove preopterećenja, ne pokušavajte da pokosite suviše trave odjednom. Usporite korak ili povećajte visinu košenja.

Kosilica ima ugrađeni osigurač za zaštitu od preopterećenja. Kad je kosilica preopterećena, motor će se zaustaviti a indikator statusa kosilice na kontrolnoj tabli će bljeskati narandžasto.

## ODRŽAVANJE

**⚠ UPOZORENJE:** Da biste izbegli ozbiljne telesne povrede, uvek isključite kosilicu, izvadite bateriju i uverite se da su se svi pokretni delovi potpuno zaustavili pre čišćenja, radova održavanja ili transportovanja kosilice.

**⚠ UPOZORENJE:** Uvek održavajte mašinu i vršite redovno održavanje.

**⚠ UPOZORENJE:** Zaustavite mašinu i izvadite bateriju da biste osigurali da su se svi pokretni delovi potpuno zaustavili posle nailaženja na strani predmet i da biste pregledali da li na mašini ima oštećenja i popravili ih pre ponovnog pokretanja mašine i rukovanja njom.

**⚠ UPOZORENJE:** Zaustavite mašinu i izvadite bateriju da biste osigurali da su se svi pokretni delovi potpuno zaustavili ako mašina počne abnormalno da vibrira i da biste odmah zatim pregledali da li ima oštećenja, zamenili ili popravili sve oštećene delove i da biste proverili da li ima labavih delova i zategnuli ih.

**⚠ UPOZORENJE:** Kada obavljate radove servisiranja, upotrebljavajte samo identične zamenske delove. Upotreba bilo kakvih drugih delova može da dovede do opasnosti ili da izazove oštećenje proizvoda. Da bi se osigurala sigurnost i pouzdanost, sve popravke treba da radi kvalifikovani servisni tehničar.

## ČIŠĆENJE KOSILICE

Donju stranu ploče kosilice treba očistiti posle svake upotrebe, jer će se pokošena trava, lišće, zemlja i druga prljavština nagomilati.

Uklonite svu travu i lišće nagomilane na pogonskoj osovinu i ventilatoru motora ili oko njih. Obrišite kosilicu vlažnom krpom.

## ZAMENA KOMPLETA SEČIVA (Slika R1, R2, R3)

**⚠ UPOZORENJE:** Uvek uklonite bateriju i vreću za travu.

**⚠ UPOZORENJE:** Uvek nosite zaštitne rukavice.

**OBAVEŠTENJE:** Temeljno očistite oblast pogonskog vratila i donji deo mašine pre instaliranja kompleta sečiva.

1. Okrenite kosilicu naopačke.
2. Skinite/instalirajte komplet sečiva pomoću moment ključa i dve metalne šipke kako je ilustrovano.
3. Štampana strana sečiva ide prema spolja.

## SKLADIŠTENJE KOSILICE (Slika S1 i S2)

- Izvadite bateriju iz kosilice i skladištite je na hladnom, suvom i čistom mestu. Ne skladištite je pored korozivnih materijala, poput đubriva ili kamene soli.
- Pre skladištenja ispraznite vreću za travu.
- Uvek ostavite kosilicu da se ohladi pre skladištenja.
- Čišćenje i održavanje pre skladištenja.
- Skladištite kosilicu u natkrivenom, zatvorenom prostoru koji je hladan i suv i van domašaja dece.
- Ne prekrivajte kosilicu za travu punom plastičnom folijom. Plastični prekrivači zarobljavaju vlagu oko kosilice, što izaziva rđu i koroziju.
- Kosilica se može skladištiti položeno ili uspravno (slika S1 i S2).

**⚠ UPOZORENJE:** Ako se kosilica prevrne iz uspravnog položaja, može doći do oštećenja kosilice ili telesne povrede. Kosilica uvek treba da bude stabilna i van domašaja dece kad je u uspravnom položaju. Ako je moguće, položite je vodoravno tokom skladištenja.

## ZAŠTITA ŽIVOTNE SREDINE



Ne odlazite električne uređaje kao nesortirani komunalni otpad, koristite specijalizovana mesta za prikupljanje otpada.

Obratite se lokalnoj upravi za informacije o dostupnim sistemima prikupljanja otpada.

Ako se električni aparati odlazu na deponije ili đubrišta, opasne supstance mogu da iscuru u podzemne vode i dospeju u lanac ishrane, nanoseći štetu vašem zdravlju i dobrobiti.

## REŠAVANJE PROBLEMA

PROBLEM	UZROK	REŠENJE
Kosilica ili funkcija sopstvenog pogona neće da se pokrenu.	<ul style="list-style-type: none"> <li>■ Punjenje baterije je potrošeno.</li> </ul>	<ul style="list-style-type: none"> <li>■ Napunite bateriju.</li> </ul>
	<ul style="list-style-type: none"> <li>■ Baterija nije pravilno umetnuta u odeljak za baterije.</li> </ul>	<ul style="list-style-type: none"> <li>■ Umetnite bateriju u odeljak za bateriju dok ne čujete „škljoc“.</li> </ul>
	<ul style="list-style-type: none"> <li>■ Ručka nije zaključana u radnom položaju i indikator statusa kosilice bljeska zeleno.</li> </ul>	<ul style="list-style-type: none"> <li>■ Zaustavite kosilicu i proverite da li je ručka zaključana u jednom od radnih položaja.</li> </ul>
	<ul style="list-style-type: none"> <li>■ Platforma kosilice je zapušena travom i prljavštinom.</li> </ul>	<ul style="list-style-type: none"> <li>■ Očistite ploču kosilice i osigurajte da komplet sečiva može slobodno da se kreće.</li> </ul>
Kosilica nejednako kosi.	<ul style="list-style-type: none"> <li>■ Komplet sečiva je tup.</li> </ul>	<ul style="list-style-type: none"> <li>■ Naoštrite ili zamenite komplet sečiva.</li> </ul>
	<ul style="list-style-type: none"> <li>■ Visina košenja trave nije pravilno postavljena.</li> </ul>	<ul style="list-style-type: none"> <li>■ Pomerite visinu ploče na višu postavku.</li> </ul>
	<ul style="list-style-type: none"> <li>■ Komplet sečiva je nepravilno instaliran</li> </ul>	<ul style="list-style-type: none"> <li>■ Ponovo instalirajte komplet sečiva, prateći odeljak <b>„ZAMENA KOMPLETA SEČIVA“</b> u ovom priručniku.</li> </ul>
	<ul style="list-style-type: none"> <li>■ Režim brzine sečiva nije pravilno postavljen.</li> </ul>	<ul style="list-style-type: none"> <li>■ Izaberite odgovarajući režim brzine sečiva.</li> </ul>
Kosilica ne malčira pravilno.	<ul style="list-style-type: none"> <li>■ Mokra pokošena trava se lepi za donju stranu platforme.</li> </ul>	<ul style="list-style-type: none"> <li>■ Sačekajte da se trava osuši pre košenja.</li> </ul>
	<ul style="list-style-type: none"> <li>■ Kosilica je postavljena da kosi suviše trave odjednom.</li> </ul>	<ul style="list-style-type: none"> <li>■ Podignite ploču na višu postavku visine košenja.</li> </ul>
	<ul style="list-style-type: none"> <li>■ Režim brzine sečiva nije pravilno postavljen.</li> </ul>	<ul style="list-style-type: none"> <li>■ Izaberite brzinu sečiva na nižoj postavci.</li> </ul>
Kosilica neočekivano staje tokom košenja.	<ul style="list-style-type: none"> <li>■ Punjenje baterije je potrošeno.</li> </ul>	<ul style="list-style-type: none"> <li>■ Napunite bateriju.</li> </ul>
	<ul style="list-style-type: none"> <li>■ Kosilica je preopterećena i indikator statusa kosilice bljeska narandžasto.</li> </ul>	<ul style="list-style-type: none"> <li>■ Proverite da li se trava nakupila ispod ploče i očistite ako je potrebno. Povećajte visinu košenja ili usporite košenje.</li> </ul>
	<ul style="list-style-type: none"> <li>■ Ploča kosilice je zapušena travom i prljavštinom.</li> </ul>	<ul style="list-style-type: none"> <li>■ Otpušite ploču kosilice. Povećajte visinu košenja i/ili kosite uže otkose.</li> </ul>
	<ul style="list-style-type: none"> <li>■ Strujna kola baterije ili kosilice su prevruća. Ako je baterija pregrejana, indikator statusa kosilice se isključuje. Ako je kosilica pregrejana, indikator statusa kosilice svetli neprekidno narandžasto.</li> </ul>	<ul style="list-style-type: none"> <li>■ Ostavite bateriju ili kosilicu da se ohlade.</li> </ul>
	<ul style="list-style-type: none"> <li>■ Režim brzine sečiva nije pravilno postavljen.</li> </ul>	<ul style="list-style-type: none"> <li>■ Izaberite brzinu sečiva na nižoj postavci.</li> </ul>
	<ul style="list-style-type: none"> <li>■ Greška elektronike kosilice i indikator statusa kosilice bljeskaju naizmenično crveno/zeleno.</li> </ul>	<ul style="list-style-type: none"> <li>■ Obratite se EGO servisnom centru.</li> </ul>

PROBLEM	UZROK	REŠENJE
Dolazi do prekomernih vibracija.	<ul style="list-style-type: none"> <li>▪ Komplet sečiva je labav.</li> </ul>	<ul style="list-style-type: none"> <li>▪ Zategnite zavrtnaj noža.</li> </ul>
	<ul style="list-style-type: none"> <li>▪ Komplet sečiva nije izbalansiran.</li> </ul>	<ul style="list-style-type: none"> <li>▪ Obratite se EGO servisnom centru.</li> </ul>
	<ul style="list-style-type: none"> <li>▪ Nož kosilice je savijen.</li> </ul>	<ul style="list-style-type: none"> <li>▪ Zamenite nož.</li> </ul>
	<ul style="list-style-type: none"> <li>▪ Osovina motora je savijena.</li> </ul>	<ul style="list-style-type: none"> <li>▪ Obratite se EGO servisnom centru.</li> </ul>
	<ul style="list-style-type: none"> <li>▪ Kosilica je postavljena da kosi suviše trave odjednom.</li> </ul>	<ul style="list-style-type: none"> <li>▪ Podignite ploču na višu postavku visine košenja.</li> </ul>
	<ul style="list-style-type: none"> <li>▪ Režim brzine sečiva nije pravilno postavljen.</li> </ul>	<ul style="list-style-type: none"> <li>▪ Postavite brzinu sečiva na nižu postavku.</li> </ul>
Motor radi ali komplet sečiva ne kosi travu.	<ul style="list-style-type: none"> <li>▪ Komplet sečiva nije zategnut na potrebni obrtni moment.</li> </ul>	<ul style="list-style-type: none"> <li>▪ Ponovo zategnite komplet sečiva. Preporučeni obrtni moment za zavrtnaj noža je 50-60 Nm.</li> </ul>
Poteškoće sa pomeranjem dugmeta za biranje seckanja sa jedne na drugu stranu.	<ul style="list-style-type: none"> <li>▪ Previše pokošene trave se nagomilalo na gornjem delu kliznih vrata.</li> </ul>	<ul style="list-style-type: none"> <li>▪ Očistite travu sa platforme kosilice nakon svake upotrebe.</li> </ul>

## GARANCIJA

### EGO POLITIKA GARANCIJE

Posetite veb-lokaciju [egopowerplus.eu](http://egopowerplus.eu) za potpune uslove i odredbe EGO politike garancije.

## PROČITAJTE UPUTSTVO U CIJELOSTI!

**Predviđena upotreba:** Proizvod je predviđen za ručnu košnju travnjaka:

- Upotrebljavajte ga samo za košnju suhe trave. Nemojte kositi mokru travu.
- Nemojte ga upotrebljavati za druge svrhe.

**! UPOZORENJE!** Prije upotrebe ove mašine pobrinite se da sva sigurnosna uputstva u ovom korisničkom priručniku, uključujući sve sigurnosne simbole kao što su "**OPASNOST**", "**UPOZORENJE**" i "**OPREZ**" pročitate s razumijevanjem. Zanemarivanje svih uputstava navedenih u nastavku može rezultirati strujnim udarom, požarom i/ili teškim tjelesnim povredama.

## SIGURNOSNI SIMBOLI



Simbol upozorenja



Kada upotrebljavate ovaj proizvod, uvijek nosite zaštitu za sluh, zatvorene zaštitne naočale ili zaštitne naočale s bočnim štitnicima i štitnik za cijelo lice.



Čuvajte se odbačenih predmeta – udaljite prisutne osobe.



Ruke držite na udaljenosti.



Zagarantovani nivo zvučne snage.



Ovaj proizvod je u skladu s važećim zakonodavstvom Velike Britanije.

IPX4 Zaštita od prskanja vode

mm Milimetar

⚡ Istosmjerna struja



Radi smanjenja rizika od povreda, prije upotrebe ovog proizvoda korisnik treba s razumijevanjem pročitati ovaj korisnički priručnik.



Prije radova podešavanja ili čišćenja isključite odvojivi komplet baterija (ili uređaj za deaktivaciju) i izvadite ga.



Ruke i stopala držite podalje od noževa.



Nemojte zuriti u radnu lampu.



Ovaj proizvod je u skladu s primjenjivim direktivama EU.



Otpadni električni proizvodi ne smiju se odlagati s otpadom iz domaćinstva. Odnosite ih u ovlašteni centar za reciklažu.

V Volt

cm Centimetar

kg Kilogram

## TEHNIČKI PODACI

Napon	56 V	
Režim brzine noža	2	
	1	
	ECO	
Položaji visine košnje	8	
Postavke visine košnje	25 mm/33 mm/43 mm/ 54 mm/66 mm/79 mm/ 92 mm/105 mm	
Širina košnje	55 cm	
Zapremina vreće za travu	85 l	
Masa kosilice (s vrećom za travu i baterijom BA6720T)	37 kg	
Model seta noževa	AB2212D-E	
Preporučena radna temperatura	0 °C - 40 °C	
Preporučena temperatura skladištenja	-20 °C - 70 °C	
Izmjereni nivo zvučne snage $L_{WA}$	95 dB(A) K=0,7 dB(A)	
Nivo zvučnog pritiska kod uha rukovaoca $L_{PA}$	83 dB(A) K=3 dB(A)	
Zagarantovani nivo zvučne snage $L_{WA}$ (izmjereno u skladu s Direktivom 2000/14/EZ)	96 dB(A)	
Procjena vibracija $a_n$ :	Lijevi rukohvat	1,35 m/s <sup>2</sup> K=1,5 m/s <sup>2</sup>
	Desni rukohvat	1,35 m/s <sup>2</sup> K=1,5 m/s <sup>2</sup>

- Deklarisane ukupne vrijednosti vibracija izmjerene su u skladu sa standardnom metodom ispitivanja i mogu se primjenjivati za poređenje jedne mašine s drugom.
- Deklarisane ukupne vrijednosti vibracija mogu se primjenjivati i u preliminarnoj procjeni izloženosti.

**⚠ UPOZORENJE!** Emisija vibracija tokom aktualne upotrebe mašine može se razlikovati od deklarirane vrijednosti u kojoj se mašina upotrebljavala. Korisnik radi zaštite treba nositi rukavice i štitnike za uši u aktualnim uslovima upotrebe.

**⚠ UPOZORENJE!** od potrebe uspostavljanja sigurnosnih mjera za zaštitu rukovaoca na osnovu procjene izloženosti u aktualnim uslovima upotrebe (uzimajući u obzir sve dijelove radnog ciklusa, kao što su vremena kada je alat isključen i kada radi u praznom hodu, uz vrijeme okidanja).

## SADRŽAJ PAKOVANJA (SL. A1 I A2)

NAZIV DIJELA	KOLIČINA
Kosilica za travnjak	1
Vreća za travu	1
Okvir vreće za travu	1
Korisnički priručnik	1

## OPIS

### UPOZNAJTE SVOJU KOSILICU (SL. A1 I A2)

1. Rukohvat
2. Bočna vodilica
3. Obujmica za fiksiranje rukohvata
4. Zaklopka stražnjeg izlaznog otvora
5. Ručka za podizanje
6. Poklopac pretinca za baterije
7. Prednja LED svjetla
8. Okretno dugme za odabir položaja
9. Prednji točak
10. Okretno dugme za podešavanje visine košnje
11. Trup
12. Ulazni otvor za zrak
13. Stražnji točak
14. Ručica za brzo podešavanje
15. Vreća za travu
16. Stražnji štitnik
17. Okidač rotacije noža
18. Okidač samostalnog pogona
19. Okretno dugme za regulaciju brzine samostalnog pogona
20. Dugme za režim brzine noža
21. Dugme napajanja
22. Dugme za LED prednja svjetla
23. Ikona LED prednjih svjetala
24. LED indikator prednjih svjetala
25. Indikator statusa kosilice
26. Ikona noža

27. Indikator režima brzine noža  
28. Ikona statusa kosilice

## SASTAVLJANJE

**⚠ UPOZORENJE!** Ako je bilo koji dio oštećen ili ako nedostaje, nemojte upotrebljavati ovaj proizvod dok ne zamijenite dijelove. Upotreba ovog proizvoda oštećenih dijelova ili dijelova koji nedostaju može rezultirati teškim tjelesnim povredama.

**⚠ UPOZORENJE!** Radi sprečavanja iznenadnog pokretanja koje može uzrokovati teške tjelesne povrede, uvijek izvadite komplet baterija iz mašine kada sastavljate dijelove.

**⚠ UPOZORENJE!** Nemojte pokušavati da modifikujete ovu mašinu ili da pravite dodatnu opremu koja nije preporučena za upotrebu s ovom kosilicom. Sve takve izmjene ili modifikacije predstavljaju nepropisnu upotrebu i mogu rezultirati opasnim stanjima koja mogu dovesti do teških povreda.

### OTPAKIVANJE

- Izvadite svu dodatnu opremu iz kartonske ambalaže.
- Istovremeno uhvatite prednji dio kosilice i ručku za podizanje da pažljivo podignete kosilicu i izvadite je iz kartonske kutije.

### PODEŠAVANJE SKLOPIVOG RUKOHVATA

**⚠ UPOZORENJE!** Nemojte pokušavati da pokrenete kosilicu dok rukohvat ne bude zabravljen u jednom od tri prethodno postavljena radna položaja: GORNJI RADNI POLOŽAJ, SREDNJI RADNI POLOŽAJ I DONJI RADNI POLOŽAJ.

1. Pritisnite ručicu za brzo podešavanje i držite je pritisnutom da otpustite rukohvat iz ZABRAVLJENOG POLOŽAJA ZA SKLADIŠTENJE (sl. B1).

B1-1	Ručica za brzo podešavanje
------	----------------------------

2. Podignite rukohvat iz sklopljenog položaja, a zatim otpustite ručicu. Nježno okrećite rukohvat prema gore dok ne začujete i ne osjetite da je blokirni klin ulegao u jedan od sljedećih različitih položaja prikazanih na sl. B2.

B2-1	Zabravljeni položaj za skladištenje	B2-2	Položaj za pričvršćivanje/skidanje vreće za travu
------	-------------------------------------	------	---

B2-3	Gornji radni položaj	B2-4	Srednji radni položaj
B2-5	Donji radni položaj		

3. Potpuno izvucite bočne vodilice i čvrsto zatvorite obujmicu za fiksiranje rukohvata (sl. B3).

**NAPOMENA!** Motor se može pokrenuti samo u sljedećim slučajevima:

- Bočne vodilice su potpuno izvučene.
- Zelena obujmica za fiksiranje rukohvata je čvrsto zatvorena.
- Rukohvat je zabravljen u jednom od tri radna položaja.

### POSTAVLJANJE VREĆE ZA TRAVU (SI. C1, C2, C3)

Prije montaže provjerite je li vreća za travu oštećena.

Vreću za travu montirajte kako je prikazano na slici.

### OKRETNO DUGME ZA ODABIR POLOŽAJA (SI. D)

Okretno dugme za odabir položaja postavite u jedan od pet položaja kako biste postigli željene rezultate košnje.

Okretno dugme može se upotrebljavati za podešavanje kliznih vrata iz potpuno otvorenog položaja "VREĆA" u potpuno zatvoreni položaj "MALČIRANJE".

Podešavanjem okretnog dugmeta za odabir položaja mogu se zadovoljiti različiti uslovi košnje.

**Za ponovno postavljanje okretnog dugmeta u željeni položaj,** izvucite okretno dugme iz ureza i postavite ga u željeni položaj.

**NAPOMENA!** Ako prilikom pomicanja okretnog dugmeta za odabir položaja s jedne na drugu stranu osjetite veliki otpor, možda se na gornjoj strani kliznih vrata nakupilo previše trave. Nakon svake upotrebe uklonite travu ispod trupa kosilice.

D-1	Klizna vrata	D-2	Položaj "MALČIRANJE"
D-3	Okretno dugme za odabir položaja	D-4	Položaj "VREĆA"

### POLOŽAJ KLIZNIH VRATA

Klizna vrata mogu se pozicionirati za postizanje različitih rezultata košnje. Kako biste osjetili razliku između položaja, postavite vreću za travu i počnite kositi pomicanjem okretnog dugmeta za odabir položaja do kraja u položaj "VREĆA". Provjerite izgled travnjaka. Pomicanjem okretnog dugmeta prema položaju "MALČIRANJE" vratit ćete više trave na travnjak. Okretno dugme za odabir položaja podešavajte dok ne postignete željeni rezultat. Hibridni režim rada sakupljanja pokošene trave u vreću/malčiranja rezultira čistim i finim rezom.

- **Okretno dugme za odabir položaja u položaju "VREĆA"**, klizna vrata su potpuno otvorena tako da svi otkosi mogu ući u vreću (sl. E1).
- **Okretno dugme za odabir položaja u položajima hibridnog režima rada sakupljanja pokošene trave u vreću/malčiranja**, klizna vrata su djelimično zatvorena. Dio otkosa stavlja se u vreću, drugi dio se fino usitnjava i usmjerava na tlo (sl. E2).
- **Okretno dugme za odabir položaja u položaju "MALČIRANJE"**, klizna vrata su potpuno zatvorena. Svi otkosi fino se usitnjavaju i usmjeravaju na tlo (sl. E3).

## BOČNO PRAŽNENJE

### Postavljanje/uklanjanje žlijeba za bočno pražnjenje (prodaje se zasebno)

**NAPOMENA!** Prije upotrebe žlijeba za bočno pražnjenje uvjerite se da je donja strana trupa kosilice čista.

- Uklonite vreću za travu i okretno dugme za odabir položaja postavite u položaj "VREĆA".
- Postavite žlijeb za bočno pražnjenje u kosilicu kako je prikazano na sl. F.

## POTPUNO SAKUPLJANJE POKOŠENE TRAVE U VREĆU

### Postavljanje/uklanjanje vreće za travu

**⚠ UPOZORENJE!** Uz normalnu upotrebu, materijal vreće za travu podložan je habanju. Kako biste smanjili rizik od povreda, redovno pregledavajte vreću za travu i zamijenite je ako na njoj postoje znakovi istrošenosti ili dotrajalosti. Upotrebljavajte samo vreće za travu proizvedene za ovu kosilicu.

**NAPOMENA!** Prije upotrebe vreće za travu uvjerite se da je donja strana trupa kosilice čista.

- Uklonite žlijeb za bočno pražnjenje i okretno dugme za odabir položaja postavite u položaj "VREĆA".
- Vreću za travu postavite u kosilicu kako je prikazano na sl. G.

## POTPUNO MALČIRANJE (SI. H)

- Uklonite vreću za travu.
- Otpustite vrata za stražnje pražnjenje.
- Okretno dugme za odabir položaja postavite u položaj "MALČIRANJE".

## HIBRIDNI REŽIM RADA SAKUPLJANJA POKOŠENE TRAVE U VREĆU/MALČIRANJA (SI. J)

- Postavite vreću za travu.

- Okretno dugme za odabir položaja postavite u jedan od tri položaja hibridnog režima rada sakupljanja pokošene trave u vreću/malčiranja.

**NAPOMENA!** Pomicanjem okretnog dugmeta za odabir položaja prema položaju "MALČIRANJE" vratit ćete više trave na travnjak.

Pomicanjem okretnog dugmeta za odabir položaja prema položaju "VREĆA" više trave će se izbaciti kroz stražnji ispust u vreću za travu.

## PODEŠAVANJE VISINE KOŠNJE (SI. K)

Prilikom podešavanja visine košnje držite stopala podalje od trupa kosilice.

Kosilica se može podesiti na 8 visina košnje između 25 mm i 105 mm. Oznaka označava odabranu visinu košnje.

Odaberite pravilnu visinu košnje u skladu s vrstom i stanjem trave koju želite pokositi.

1. Isključite kosilicu i pričekajte da se rezni nož potpuno zaustavi.
2. Izvadite komplet baterija.
3. Povucite ručicu za podešavanje visine košnje iz položaja i postavite je u željeni položaj.

**NAPOMENA!** Kako biste izbjegli preopterećenje motora, nemojte postavljati prenisu visinu košnje u visokoj travi. Ako brzina motora postane prespora, povećajte visinu košnje.

## RAD

Kada postavljate dijelove, obavljate radove podešavanja, čišćenja ili kada ne upotrebljavate proizvod, komplet baterija uvijek izvadite iz proizvoda. Vadenjem kompleta baterija spriječit će se iznenadno pokretanje koje može uzrokovati teške tjelesne povrede.

## POSTAVLJANJE/SKIDANJE KOMPLETA BATERIJA (SI. L)

Proizvod upotrebljavajte samo s EGO kompletima baterija i punjačima koji su navedeni na sl. A3.

Detaljne upute potražite u odgovarajućim priručnicima za komplete baterija i punjač.

### Potpuno punjenje kompleta baterija prije prve upotrebe

1. Poklopac pretinca za baterije podignite podizanjem prednjeg dijela poklopca.
2. **Za pričvršćivanje** poravnajte kontakte baterije s montažnim utorima i pritisnite komplet baterija prema dolje dok ne začujete zvuk "klikanja".

**BS**

3. Za skidanje pritisnite dugme za oslobađanje baterije i izvucite komplet baterija.
4. Zatvorite poklopac pretinca za baterije.

**NAPOMENA!** Prije početka rada uvjerite se da je zasun na kosilici ulegao u svoje mjesto i da je komplet baterija pričvršćen na kosilici.

## ODABIR REŽIMA BRZINE NOŽA (SI. M)

- **Režim rada 2** je režim rada velike brzine noža za veliku snagu podizanja radi poboljšanja snage usisavanja ili rezanja.
- **Režim rada 1** je najbolja ravnoteža između performansi i vremena rada.
- **ECO režim rada** osigurava najniži nivo buke i najduže vrijeme rada kompleta baterija.

**NAPOMENA!** Brzina noža može se podešavati tokom rada. Promjena se neće primjenjivati dok se motor ne zaustavi i ponovo ne pokrene.

Odaberite između **režima rada 2, 1 ili ECO** uzastopnim pritiskom na dugme za režim brzine noža.

**NAPOMENA!** Zadani režim brzine noža je 1.

M-1	Indikator brzine noža	M-2	Dugme za režim brzine noža
-----	-----------------------	-----	----------------------------

## POKRETANJE/ZAUSTAVLJANJE KOSILICE

Proizvod se može upotrebljavati na kiši.

**⚠ UPOZORENJE!** Pri rukovanju bilo kojom kosilicom za travnjak može doći do odbacivanja stranih predmeta u vaše oči ili oči drugih osoba, što može rezultirati teškim oštećenjem očiju. Uvijek nosite sigurnosne naočale kada rukujete kosilicom ili kada obavljate podešavanje ili popravke na kosilici.

**NAPOMENA!** Nož će se nastaviti okretati nekoliko sekundi nakon isključivanja kosilice. Pričekajte da se motor/nož prestane okretati prije ponovnog pokretanja. Kosilicu nemojte naglo isključiti pa uključiti.

**⚠ UPOZORENJE!** Zaustavite nož ako je kosilicu za trajnjak potrebno nagnuti radi premještanja pri prelasku preko površina koje nisu trava i pri premještanju na područje i s područja koje treba pokositi.

**⚠ UPOZORENJE!** Nemojte naginjati kosilicu prilikom pokretanja motora, osim ako se kosilica mora naginjati radi pokretanja. U tom slučaju proizvod nemojte naginjati više nego što je potrebno i podignite samo onaj dio koji je podalje od rukovaoca.

Prije upotrebe uvijek vizuelno pregledajte jesu li nož i matični vijak noža istrošeni ili oštećeni. Zamijenite istrošeni ili oštećeni nož i matični vijak u setovima kako biste održali ravnotežu.

## Provjera blokade reznog noža

- Kako biste izbjegli blokadu, rezni nož i trup kosilice održavajte čistima. Prije i nakon svake upotrebe uklonite pokošenu travu, lišće, prljavštinu i druge nakupljene naslage.
- Ako dođe do blokade, zaustavite kosilicu i izvadite komplet baterija. Zatim uklonite nakupine trave i lišća na pogonskoj osovini ili oko pogonske osovine i ventilatora motora. Kosilicu čistite vlažnom krpom.

**OPREZ!** Nemojte pokušavati da premostite rad dugmeta napajanja i okidača rotacije noža.

**NAPOMENA!** Motor se može pokrenuti samo kada je rukohvat zavravljen u jednom od tri radna položaja.

## Pokretanje kosilice (SI. N1 i N2)

1. Pričvrstite komplet baterija na kosilicu i zatvorite poklopac pretinca za baterije.
2. Pritisnite dugme napajanja da osvijetlite kontrolnu ploču. Uključit će se indikator statusa kosilice i indikator brzine noža za režim rada 1.
3. Pritisnite dugme za režim brzine noža da odaberete željenu brzinu.
4. Pritisnite dugme napajanja i držite ga pritisnutim.
5. Dok dugme napajanja držite pritisnutim, povucite okidač rotacije noža na rukohvat i otpustite dugme napajanja.

## Zaustavljanje kosilice (SI. N3)

1. Potpuno otpustite okidač rotacije noža.
2. Električna kočnica u mehanizmu automatskog kočenja zaustavit će rotaciju noža u roku 3 sekunde po otpuštanju okidača rotacije noža.

## SISTEM SAMOSTALNOG POGONA S VARIJABILNOM BRZINOM (SI. P)

Kosilica je opremljena funkcijom samostalnog pogona s varijabilnom brzinom. Ovaj sistem samostalnog pogona je nezavisan od rotacije noža.

## Rad sistema samostalnog pogona bez rotacije noža

1. Za osvijetljenje kontrolne ploče pritisnite dugme napajanja.
2. Polako okrećite okretno dugme za regulaciju brzine samostalnog pogona prema naprijed dok ne začujete zvuk klikanja, a zatim pritisnite okidač/e samostalnog



pogona. Postoje dva okidača samostalnog pogona. Za pokretanje funkcije samostalnog pogona pritisnite bilo koji okidač samostalnog pogona.

**Za isključivanje sistema samostalnog pogona** otpustite okidač samostalnog pogona.

P-1	Okretno dugme za regulaciju brzine samostalnog pogona	P-2	Okidač samostalnog pogona
-----	---	-----	---------------------------

#### PREDNJA LED SVJETLA (SI. Q)

**Za uključivanje prednjih svjetala** pritisnite dugme za LED prednja svjetla. Prednja svjetla osvijetljavaju područje ispred kosilice.

**Za isključivanje prednjih svjetala** ponovo pritisnite dugme.

#### INDIKATORI STATUSA KOSILICE (SI. A2)

Indikator statusa kosilice na kontrolnoj ploči prikazuje radno stanje kosilice.

Indikator	Opis	Značenje	Radnja
	Svijetli zeleno	Kosilica radi propisno.	Nije potrebna.
	Treperi zeleno	Bočne vodilice nisu potpuno izvučene.	Zaustavite kosilicu i provjerite jesu li bočne vodilice potpuno izvučene.
		Rukohvat nije zabavljen u radnom položaju.	Zaustavite kosilicu i provjerite je li rukohvat zabavljen u jednom od tri radna položaja.
	Treperi crveno	Nizak nivo napunjenosti baterije.	Zaustavite kosilicu i napunite komplet baterija.
	Svijetli narandžasto	Kosilica se pregrijava.	Otpustite prekidač i pričekajte da temperatura kosilice padne ispod 80 °C. Pogledajte odjeljak "ZAŠTITA KOSILICE O VISOKIH TEMPERATURA" u nastavku.
	Treperi narandžasto	Kosilica je preopterećena.	<ol style="list-style-type: none"> <li>Izvadite komplet baterija, a zatim provjerite da li se ispod trupa kosilice nakupila trava. Očistite ako je potrebno.</li> <li>Prilikom košnje usporite tempo hodanja.</li> <li>Povećajte visinu košnje.</li> <li>Ako s prethodno navedenim rješenjima niste riješili problem, obratite se korisničkoj službi proizvođača EGO.</li> </ol> Pogledajte odjeljak "ZAŠTITA OD PREOPTEREĆENJA KOSILICE" u nastavku.
	Naizmjenično treperi crveno/zeleno	Greška elektronike kosilice.	Obratite se korisničkoj službi proizvođača EGO.

## ZAŠTITA KOSILICE O VISOKIH TEMPERATURA

Ako temperatura kosilice tokom rada prekorači 90 °C, temperaturni zaštitni krug odmah će isključiti kosilicu da je zaštiti od oštećenja uslijed pregrijavanja.

Indikator statusa kosilice svijetlit će narandžasto. Otpustite okidač rotacije noža i pričekajte da se pregrijana kosilica ohladi i indikator statusa postane zelen, a zatim ponovo pokrenite kosilicu.

## ZAŠTITA OD PREOPTEREĆENJA KOSILICE

Radi sprečavanja preopterećenja, nemojte pokušavati odjednom uklanjati preveliku količinu trave. Usporite tempo hodanja ili povećajte visinu košnje.

Kosilica ima ugrađenu zaštitu od preopterećenja. Kada je kosilica preopterećena, motor se zaustavlja, a indikator statusa kosilice na kontrolnoj ploči treperi narandžasto.

## ODRŽAVANJE

**⚠ UPOZORENJE!** Radi izbjegavanja teških tjelesnih povreda, uvijek isključite kosilicu, izvadite komplet baterija i uvjerite se da su se svi pokretni dijelovi potpuno zaustavili prije čišćenja, održavanja ili transporta kosilice.

**⚠ UPOZORENJE!** Uvijek redovno održavajte mašinu.

**⚠ UPOZORENJE!** Zaustavite mašinu i izvadite komplet baterija kako biste bili sigurni da su se svi pokretni dijelovi potpuno zaustavili nakon udara u strani predmet te kako biste pregledali i popravili mašinu zbog oštećenja prije ponovnog pokretanja i upotrebe mašine.

**⚠ UPOZORENJE!** Zaustavite mašinu i uklonite bateriju kako biste bili sigurni da su se svi pokretni dijelovi potpuno zaustavili, ako stroj počne abnormalno vibrirati, a zatim odmah pregledajte ima li oštećenja, zamijenite ili popravite oštećene dijelove i provjerite i zategnite sve labave dijelove.

**⚠ UPOZORENJE!** Kada obavljate radove servisiranja, upotrebljavajte samo identične zamjenske dijelove. Upotreba drugih dijelova može uzrokovati opasnost ili oštećenje proizvoda. Radi osiguranja sigurnosti i pouzdanosti, sve popravke treba obavljati kvalifikovani servisni tehničar.

## ČIŠĆENJE KOSILICE

Donju stranu trupa kosilice potrebno je očistiti nakon svake upotrebe kako bi se spriječilo nakupljanje komadića trave, lišća, prjāvštine ili drugih naslaga.

Uklonite naslage trave i lišće s ili oko pogonske osovine i ventilatora motora. Kosilicu čistite vlažnom krpom.

## ZAMJENA SETA NOŽEVA (SI. R1, R2, R3)

**⚠ UPOZORENJE!** Uvijek uklonite komplet baterija i vreću za travu.

**⚠ UPOZORENJE!** Uvijek nosite zaštitne rukavice.

**NAPOMENA!** Prije postavljanja seta noževa dobro očistite područje pogonske osovine i donju stranu mašine.

1. Okrenite kosilicu naopačke.
2. Za uklanjanje/postavljanje seta noževa upotrebljavajte moment ključ i dvije metalne šipke kako je prikazano na slici.
3. Otsnuta strana noža je okrenuta prema van.

## SKLADIŠTENJE KOSILICE (SI. S1 i S2)

- Izvadite komplet baterija iz kosilice i skladištite ga na hladnom, suhom i čistom mjestu. Komplet baterija nemojte skladištiti pored korozivnih materijala kao što su gnojiva ili kamena sol.
- Prije skladištenja ispraznite vreću za travu.
- Prije skladištenja uvijek pričekajte da se kosilica ohladi.
- Prije skladištenja obavite radove čišćenja i održavanja.
- Kosilicu skladištite na natkrivenom, zatvorenom, hladnom i suhom mjestu izvan dohvata djece.
- Kosilicu za travnjak nemojte prekrivati čvrstom plastičnom folijom. Plastični prekrivači ne propuštaju vlagu oko kosilice, što uzrokuje nastanak hrđe i korozije.
- Kosilica se može skladištiti u položenom ili uspravnom položaju (sl. S1 i S2).

**⚠ UPOZORENJE!** Ako se kosilica prevrne iz uspravnog položaja, može doći do oštećenja kosilice ili tjelesnih povreda. Kada je kosilica u uspravnom položaju, uvijek je držite stabilnom i izvan dohvata djece. Kosilicu po mogućnosti skladištite u položenom položaju.

## ZAŠTITA ŽIVOTNE SREDINE



Električne uređaje nemojte zbrinjavati kao nesortirani komunalni otpad nego se koristite zasebnim mjestima za sakupljanje takve vrste otpada.

Za informacije o dostupnim sistemima prikupljanja otpada obratite se lokalnoj nadležnoj službi.

Ako se električni uređaji odlažu na odlagališta otpada ili deponije, opasne tvari mogu iscuriti u podzemne vode i dospjeti u lanac ishrane i negativno uticati na zdravlje i dobrobit ljudi.

## OTKLANJANJE PROBLEMA

PROBLEM	UZROK	RJEŠENJE
Kosilicu ili funkciju samostalnog pogona nije moguće pokrenuti.	<ul style="list-style-type: none"> <li>■ Komplet/i baterija je ispražnjen.</li> </ul>	<ul style="list-style-type: none"> <li>■ Napunite komplet baterija.</li> </ul>
	<ul style="list-style-type: none"> <li>■ Komplet baterija nije propisno umetnut u pretinac za baterije.</li> </ul>	<ul style="list-style-type: none"> <li>■ Umetnite komplet baterija u pretinac za baterije tako da čujete zvuk klikanja.</li> </ul>
	<ul style="list-style-type: none"> <li>■ Rukohvat nije završen u radnom položaju i indikator statusa kosilice treperi zeleno.</li> </ul>	<ul style="list-style-type: none"> <li>■ Zaustavite kosilicu i provjerite je li rukohvat završen u jednom od radnih položaja.</li> </ul>
	<ul style="list-style-type: none"> <li>■ Trup kosilice je začepljen travom i naslagama.</li> </ul>	<ul style="list-style-type: none"> <li>■ Očistite trup kosilice i vodite računa da se set noževa može slobodno kretati.</li> </ul>
Kosilica kosi neravnomjerno.	<ul style="list-style-type: none"> <li>■ Set noževa je tup.</li> </ul>	<ul style="list-style-type: none"> <li>■ Naoštrite ili zamijenite set noževa.</li> </ul>
	<ul style="list-style-type: none"> <li>■ Visina košnje trave nije pravilno postavljena.</li> </ul>	<ul style="list-style-type: none"> <li>■ Pomaknite visinu trupa na višu postavku.</li> </ul>
	<ul style="list-style-type: none"> <li>■ Set noževa je postavljen nepravilno.</li> </ul>	<ul style="list-style-type: none"> <li>■ Ponovo postavite set noževa prema uputstvima u odjeljku "ZAMJENA SETA NOŽEVA" u ovom priručniku.</li> </ul>
	<ul style="list-style-type: none"> <li>■ Režim brzine noža nije pravilno postavljen.</li> </ul>	<ul style="list-style-type: none"> <li>■ Odaberite odgovarajući režim brzine noža.</li> </ul>
Kosilica ne malčira pravilno.	<ul style="list-style-type: none"> <li>■ Mokri komadići trave lijepe se za donju stranu trupa.</li> </ul>	<ul style="list-style-type: none"> <li>■ Prije košnje pričekajte da se trava posuši.</li> </ul>
	<ul style="list-style-type: none"> <li>■ Kosilica je postavljena za košnju prevelike količine trave odjednom.</li> </ul>	<ul style="list-style-type: none"> <li>■ Podignite trup na veću postavku visine košnje.</li> </ul>
	<ul style="list-style-type: none"> <li>■ Režim brzine noža nije pravilno postavljen.</li> </ul>	<ul style="list-style-type: none"> <li>■ Odaberite brzinu noža na nižoj postavci.</li> </ul>
Kosilica se neočekivano zaustavlja tokom košnje.	<ul style="list-style-type: none"> <li>■ Komplet/i baterija je ispražnjen.</li> </ul>	<ul style="list-style-type: none"> <li>■ Napunite komplet baterija.</li> </ul>
	<ul style="list-style-type: none"> <li>■ Kosilica je preopterećena i indikator statusa kosilice treperi narandžasto.</li> </ul>	<ul style="list-style-type: none"> <li>■ Provjerite je li se ispod trupa nakupila trava i prema potrebi očistite trup. Povećajte visinu košnje ili usporite košnju.</li> </ul>
	<ul style="list-style-type: none"> <li>■ Trup kosilice je začepljen travom i naslagama.</li> </ul>	<ul style="list-style-type: none"> <li>■ Očistite trup kosilice od naslaga. Povećajte visinu košnje i/ili pravite uske otkose.</li> </ul>
	<ul style="list-style-type: none"> <li>■ Komplet baterija je previše vruć ili je krug kosilice previše vruć. Ako je komplet baterija je pregrijan, indikator statusa kosilice se isključuje. Ako se kosilica se pregrijava, indikator statusa kosilice svijetli narandžasto.</li> </ul>	<ul style="list-style-type: none"> <li>■ Pričekajte da se komplet baterija ili kosilica ohlade.</li> </ul>
	<ul style="list-style-type: none"> <li>■ Režim brzine noža nije pravilno postavljen.</li> </ul>	<ul style="list-style-type: none"> <li>■ Odaberite brzinu noža na nižoj postavci.</li> </ul>
	<ul style="list-style-type: none"> <li>■ Greška elektronike kosilice i indikator statusa kosilice naizmjenično treperi crveno/zeleno.</li> </ul>	<ul style="list-style-type: none"> <li>■ Obratite se servisnom centru proizvođača EGO.</li> </ul>

PROBLEM	UZROK	RJEŠENJE
Pojavljuju se prevelike vibracije.	<ul style="list-style-type: none"> <li>■ Rezni nož je otpušten.</li> </ul>	<ul style="list-style-type: none"> <li>■ Pritegnite matični vijak noža.</li> </ul>
	<ul style="list-style-type: none"> <li>■ Set reznih noževa nije balansiran.</li> </ul>	<ul style="list-style-type: none"> <li>■ Obratite se servisnom centru proizvođača EGO.</li> </ul>
	<ul style="list-style-type: none"> <li>■ Rezni nož je savijen.</li> </ul>	<ul style="list-style-type: none"> <li>■ Zamijenite nož.</li> </ul>
	<ul style="list-style-type: none"> <li>■ Osovina motora je savijena.</li> </ul>	<ul style="list-style-type: none"> <li>■ Obratite se servisnom centru proizvođača EGO.</li> </ul>
	<ul style="list-style-type: none"> <li>■ Kosilica je postavljena za košnju prevelike količine trave odjednom.</li> </ul>	<ul style="list-style-type: none"> <li>■ Podignite trup na veću postavku visine košnje.</li> </ul>
	<ul style="list-style-type: none"> <li>■ Režim brzine noža nije pravilno postavljen.</li> </ul>	<ul style="list-style-type: none"> <li>■ Postavite brzinu noža na nižu postavku.</li> </ul>
Motor radi, ali set noževa ne kosi travu.	<ul style="list-style-type: none"> <li>■ Set noževa nije pritegnut odgovarajućim potrebnim pritezanja.</li> </ul>	<ul style="list-style-type: none"> <li>■ Ponovo pritegnite set noževa. Preporučeni moment pritezanja za matični vijak noža je 50–60 Nm.</li> </ul>
Okretno dugme za odabir položaja teško se pomiče s jedne na drugu stranu.	<ul style="list-style-type: none"> <li>■ Na gornjoj strani kliznog mehanizma se nakupilo previše otkosa.</li> </ul>	<ul style="list-style-type: none"> <li>■ Nakon svake upotrebe vrata uklonite travu s trupa kosilice.</li> </ul>

## GARANCIJA

### POLITIKA GARANCIJE PROIZVOĐAČA EGO

Za sve odredbe i uslove politike garancije proizvođača EGO posjetite internetsku stranicu [egopowerplus.eu](http://egopowerplus.eu).



المشكلة	السبب	الحل
الجزارة تتوقف أثناء الجز بشكل غير متوقع.	■ نفذ شحن مجموعة البطارية.	■ اشحن مجموعة البطارية.
	■ هناك حمل زائد على الجزارة ومؤشر حالة الجزارة يومض باللون البرتقالي.	■ تحقق مما إذا كانت الحشائش قد تراكت أسفل أرضية الجزارة ونظفها إذا لزم الأمر. اضبط ارتفاع الجز على وضع أعلى أو قم بالجز بوتيرة أبطأ.
	■ هناك عشب وعوالق تعيق حركة أرضية الجزارة.	■ تخلص مما يعيق أرضية الجزارة. اضبط ارتفاع الجز على وضع أعلى، أو قم بجعل عرض الجز أضيق.
	■ هناك ارتفاع زائد في حرارة مجموعة البطارية أو الدائرة الكهربائية للجزارة. في حالة ارتفاع درجة حرارة مجموعة البطارية، ينطفئ مؤشر حالة الجزارة. في حالة ارتفاع درجة حرارة الجزارة، يضيء مؤشر حالة الجزارة باللون البرتقالي الثابت.	■ اترك مجموعة البطارية أو الجزارة إلى أن تبرد.
	■ لم يتم ضبط وضع سرعة الشفرة بشكل صحيح.	■ حدد سرعة الشفرة على ضبط أدنى.
الجزارة يومض مؤشر وجود خطأ في الإلكترونيات الجزارة ومؤشر حالة الجزارة باللون الأحمر/الأخضر بالتناوب.	■ يومض مؤشر وجود خطأ في الإلكترونيات الجزارة ومؤشر حالة الجزارة باللون الأحمر/الأخضر بالتناوب.	■ تواصل مع مركز الصيانة بشركة EGO.
	■ مجموعة شفرة الجز مفكوكة.	■ اربط مسمار الشفرة جيدًا.
	■ مجموعة شفرة الجز غير متزنة.	■ تواصل مع مركز الصيانة بشركة EGO.
هناك اهتزازات زائدة.	■ شفرة الجز مثنية.	■ استبدل الشفرة.
	■ عمود تدوير المحرك مثني.	■ تواصل مع مركز الصيانة بشركة EGO.
	■ تم ضبط الجزارة لجز كمية زائدة من العشب مرة واحدة.	■ ارفع أرضية الجزارة إلى وضع ضبط ارتفاع أعلى للجز.
	■ لم يتم ضبط وضع سرعة الشفرة بشكل صحيح.	■ اضبط سرعة الشفرة على ضبط أدنى.
المحرك يعمل ولكن مجموعة الشفرة لا تجز العشب.	■ لم يتم ربط مجموعة الشفرة بالعزم المطلوب.	■ أعد ربط مجموعة الشفرة. العزم الموصى به لربط مسمار الشفرة هو 50 - 60 نيوتن متر.
	■ تراكتت قصاصات العشب الزائدة فوق المنزلق.	■ قم بإزالة العشب من أرضية الجزارة بعد كل استخدام للباب.

## الضمان

### سياسة ضمان EGO

تفضل بزيارة الموقع الإلكتروني [egopowerplus.eu](http://egopowerplus.eu) للتعرف على الشروط والأحكام الكاملة الخاصة بسياسة ضمان EGO.

## استكشاف الأعطال وإصلاحها

المشكلة	السبب	الحل
فشل بدء تشغيل وظيفة الجزازة أو الدفع الذاتي.	■ نفذ شحن مجموعة البطارية.	■ اشحن مجموعة البطارية.
	■ لم يتم تركيب مجموعة البطارية بشكل صحيح في حجيرة البطارية.	■ أدخل مجموعة البطارية في حجيرة البطارية إلى أن تسمع صوت "نقرة".
	■ المقبض غير مقفل في وضع التشغيل ويومض مؤشر حالة الجزازة باللون الأخضر.	■ أوقف الجزازة وتأكد من قفل المقبض في أحد أوضاع التشغيل.
	■ هناك عشب وحوالق تعيق حركة أرضية الجزازة.	■ نظف أرضية الجزازة، وتأكد من أن مجموعة الشفرة تتحرك بحرية.
الجزازة تجز العشب بشكل غير متساوٍ.	■ مجموعة الشفرة غير حادة.	■ قم بشحن مجموعة الشفرة أو استبدالها.
	■ لم يتم ضبط ارتفاع جز العشب بشكل صحيح.	■ اضبط ارتفاع أرضية الجزازة على ارتفاع عالٍ.
	■ تم تركيب مجموعة الشفرة بشكل غير صحيح.	■ أعد تركيب مجموعة الشفرة، وذلك باتباع قسم "استبدال مجموعة الشفرة" من هذا الدليل.
	■ لم يتم ضبط وضع سرعة الشفرة بشكل صحيح.	■ حدد وضع سرعة الشفرة المناسب.
لا تقوم الجزازة بتوزيع العشب المجزوز على الأرض بشكل صحيح.	■ هناك قصاصات عشب رطب عالقة على الجانب السفلي لأرضية الجزازة.	■ انتظر حتى جفاف الحشائش قبل جزها.
	■ تم ضبط الجزازة لجز كمية زائدة من العشب مرة واحدة.	■ ارفع أرضية الجزازة إلى وضع ضبط ارتفاع أعلى للجز.
	■ لم يتم ضبط وضع سرعة الشفرة بشكل صحيح.	■ حدد سرعة الشفرة على ضبط أدنى.

3. جانب الشفرة المطبوع عليه يكون للخارج.

## تخزين الجارزة (الشكل S1 و S2)

- اخلع مجموعة البطارية من الجارزة وخذنها في مكان بارد جاف نظيف. لا تخزنها بالقرب من المواد المسببة للتآكل، مثل السماد أو الملح الصخري.
- أفرغ حقيبة العشب قبل تخزين الآلة.
- اترك دائماً الجارزة تبرّد قبل التخزين.
- يجب التنظيف والصيانة قبل التخزين.
- قم بتخزين الجارزة في مكان مغلق، مع ضمان برودته وجفافه وأن يكون بعيداً عن متناول أيدي الأطفال.
- لا تقم بتغطية جارزة الحشائش بمفرش بلاستيكي صلب. لأن الأغشية البلاستيكية تحبس الرطوبة حول الجارزة، وهو ما قد يتسبب في تراكم الصدا وتآكل المعدن.
- يمكن تخزين الجارزة في وضع مسطح أو في وضع الوقوف منتصب (الشكل S1 و S2).

**تحذير:** إذا انقلبت الجارزة من وضع الوقوف منتصب، فقد تتعرض الجارزة للتلف مع حدوث إصابات شخصية. احرص دائماً على ثبات الجارزة وبعيداً عن متناول أيدي الأطفال عندما تكون في وضع الوقوف منتصب. إن أمكن، فقم بإمالتها إلى الوضع المسطح لتخزينها.

## حماية البيئة

- لا تتخلص من الأجهزة الكهربائية كنفائية غير مفروزة، بل توجه بها إلى مرافق جمع وفصل النفايات.
- تواصل مع الجهات الحكومية المحلية للتعرف على المعلومات المتعلقة بأنظمة جمع النفايات المتاحة.
- إذا تم التخلص من الأجهزة الكهربائية في أكوام القمامة أو مقلب النفايات، قد تتسرب مواد خطيرة في المياه الجوفية وتصل إلى السلسلة الغذائية، وهو ما يضر بالصحة والعافية.



## استبدال مجموعة الشفرة (الشكل R1, R2, R3)

**تحذير:** قم دائماً بخلع مجموعة البطارية وحقيبة العشب.

**تحذير:** احرص دائماً على ارتداء قفازات الحماية.

**تنبيه:** نظف منطقة عمود التدوير والجانب السفلي من الآلة جيداً قبل تركيب مجموعة الشفرة.

1. اقلب الجارزة رأساً على عقب.

2. قم بخلع/تركيب مجموعة الشفرة بمفتاح عزم وقضيبين معدنيين كأدوات مساعدة كما هو موضح في الشكل.

## الصيانة

**تحذير:** لتجنب الإصابة البدنية الخطيرة، قم دائماً بإيقاف تشغيل الجارزة واخلع مجموعة البطارية والتأكد من توقف جميع الأجزاء المتحركة تماماً قبل التنظيف أو إجراء أي صيانة على الجارزة أو نظفها.

**تحذير:** حافظ دائماً على صيانة الآلة بانتظام.

**تحذير:** أوقف الآلة واخلع مجموعة البطارية للتأكد من توقف جميع الأجزاء المتحركة تماماً بعد اصطدامها بجسم غريب، ولفحص الآلة بحثاً عن أي علامات للتلف وقم بإجراء الإصلاحات قبل إعادة تشغيل الآلة واستخدامها.

**تحذير:** أوقف الآلة واخلع مجموعة البطارية للتأكد من توقف جميع الأجزاء المتحركة تماماً إذا بدأت الآلة في الاهتزاز بشكل غير طبيعي، وبعد ذلك قم على الفور بالفحص بحثاً عن أي علامات للتلف، واستبدل أي جزء تالفة أو أصلحها، وتحقق من وجود أي أجزاء مفككة وارتبطها.

**تحذير:** استخدم فقط قطع غيار أصلية عند إجراء أعمال الصيانة. لأن استخدام أي أجزاء أخرى قد ينشأ عنه خطر أو يتسبب في تعرض المنتج للتلف. لضمان السلامة والاعتمادية، يجب تنفيذ جميع أعمال الإصلاح من قبل فني خدمة موهل.

## تنظيف الجارزة

يجب تنظيف الجانب السفلي من أرضية الجارزة بعد كل استخدام، لأن قصاصات العشب، والأوساخ، والموالح الأخرى قد تتراكم. تخلص من أي تراكم للعشب وأوراق الشجر على عمود التدوير أو حوله، وعلى مروحة المحرك. امسح الجارزة لتنظيفها باستخدام منشفة مبللة.



## مؤشر حالة الجازاة (الشكل A2)

يعرض مؤشر حالة الجازاة الموجود بلوحة أدوات التحكم حالة عمل الجازاة.

المؤشر	الوصف	المعنى	الإجراء
	أخضر ثابت	الجازاة تعمل كما ينبغي.	لا شيء مطلوب.
	يومض باللون الأخضر	القضبان الجانبية غير ممدودة بالكامل.	أوقف الجازاة وتأكد من تمديد القضبان الجانبية بالكامل.
	يومض باللون الأحمر	المقبض غير مضبوط على أحد أوضاع التشغيل.	أوقف الجازاة وتأكد من قفل المقبض في أحد أوضاع التشغيل الثلاثة.
	يومض باللون الأحمر	شحن البطارية منخفض.	أوقف الجازاة واشحن مجموعة البطارية.
	برتقالي ثابت	الجازاة ساخنة بشكل زائد.	حرر مفتاح المقبض وانتظر حتى يهبط درجة حرارة الجازاة إلى ما دون 80 درجة مئوية. راجع قسم "الحماية ضد الارتفاع الزائد في درجة حرارة الجازاة" أدناه.
	برتقالي وامض	هناك حمل زائد على الجازاة.	1. قم بخلع مجموعة البطارية، ثم افحص المنتج إذا كان هناك عشب متراكم أسفل أرضية الجازاة. نظفها إذا لزم الأمر. 2. أبطي وتيرتك عند الجز. 3. ارفع ارتفاع الجز. 4. إذا لم تفلح الحلول أعلاه، يُرجى التواصل مع قسم خدمة العملاء بشركة EGO. راجع قسم "حماية الجازاة ضد الحمل الزائد" أدناه.
	وميض بالتبادل بين اللونين الأحمر والأخضر	خطأ في أحد المكونات الإلكترونية للجازاة.	تواصل مع قسم خدمة العملاء بشركة EGO.

### الحماية ضد الارتفاع الزائد في درجة حرارة الجازاة

إذا تخطت درجة حرارة الجازاة 90 درجة مئوية في أثناء التشغيل، ستقوم دائرة الحماية ضد ارتفاع درجة الحرارة بفصل الجازاة على الفور لمنع التلف بفعل الحرارة الزائدة.

سيضيء مؤشر حالة الجازاة باللون البرتقالي الثابت. حرر مفتاح دوران الشفرة وانتظر إلى أن تبرد الجازاة الساخنة ويتحول مؤشر الحالة إلى اللون الأخضر، ثم أعد تشغيل الجازاة.

### الحماية ضد الحمل الزائد على الجازاة

لمنع حالات الحمل الزائد، لا تحاول إزالة الكثير من العشب في وقت واحد. أبطي من وتيرتك أو اضبط ارتفاع الجز على وضع أعلى. جازاتك مزودة بدائرة حماية داخلية ضد الحمل الزائد. عند تعرض الجازاة لحمل زائد، سيتوقف المحرك ويومض مؤشر حالة الجازاة الموجود بلوحة أدوات التحكم.

## تشغيل/إيقاف الجزازة

يمكن استخدام هذا المنتج تحت الأمطار.

**تحذير:** قد يؤدي تشغيل أي جزازة حشائش إلى تطاير الأشياء الغريبة تجاه عينيك أو أعين الآخرين، وهو ما قد يتسبب في إلحاق أضرار خطيرة بالعينين. احرص دائمًا على ارتداء نظارات حماية في أثناء تشغيل الجزازة، أو في أثناء إجراء أي تعديلات أو إصلاحات عليها.

**تنبيه:** تستمر الشفرة في الدوران لعدة ثوان بعد إطفاء الجزازة. اترك المحرك/الشفرة يتوقف عن الدوران قبل بدء التشغيل مرة أخرى. لا تقم بإطفاء الجزازة وتشغيلها بسرعة.

**تحذير:** قم بإيقاف الشفرة إذا كان من اللازم إمالة جزازة العشب لنقلها عند عبور أسطح ليس بها عشب، وعند نقل الجزازة من منطقة العمل وإليها.

**تحذير:** لا تقم بإمالة جزازة العشب عند بدء تشغيل المحرك، إلا إذا كان من اللازم إمالة جزازة العشب لبدء تشغيلها. في هذه الحالة، لا تقم بإمالتها أكثر من الضروري وارفق فقط الجزء البعيد عن المستخدم.

قبل الاستخدام، احرص دائمًا على فحص الآلة بعينيك للتأكد من عدم تآكل أو تلف الشفرة أو المسمار الملولب الخاص بالشفرة. استبدل الشفرة والمسار المتآكلين أو التالفين بمجموعات كاملة للمحافظة على توازن الآلة.

### التحقق من وجود ما يعيق شفرة الجرز

- لمنع الانسداد، حافظ على نظافة شفرة الجرز وسطح الجزازة. قم بإزالة قصاصات العشب والأوراق والأوساخ وأي عوالق متركمة أخرى قبل كل استخدام وبعده.
- عند حدوث الانسداد، أوقف الجزازة واخلع مجموعة البطارية، ثم قم بإزالة أي تراكم للحشائش والأوراق على عمود الإدارة أو حوله، وعلى مروحة المحرك. امسح الجزازة لتنظيفها باستخدام منشفة مبللة.

**تنبيه:** لا تحاول تجاوز إجراءات تشغيل زر الطاقة ومفتاح دوران الشفرة.

**ملاحظة:** لا يمكن بدء تشغيل المحرك إلا إذا تم قفل المقبض في أحد أوضاع التشغيل الثلاثة.

### بدء تشغيل الجزازة (الشكل N1 و N2)

- قم بتركيب مجموعة البطارية في الجزازة وأغلق غطاء حجرة البطارية.
- اضغط على زر الطاقة لإضاءة لوحة أدوات التحكم ومؤشر حالة الجزازة - سيضيء مؤشر سرعة الشفرة الخاص بالوضع 1.
- اضغط على زر وضع سرعة الشفرة لتحديد السرعة المطلوبة.
- اضغط مع التثبيت على زر الطاقة.
- في أثناء الضغط على زر الطاقة، اسحب مفتاح دوران الشفرة إلى أن يلتقي بالمقبض، وحرر زر الطاقة.

## إيقاف الجزازة (الشكل N3)

- حرر مفتاح دوران الشفرة بالكامل.
- سنتقوم الفرملة الكهربائية الموجودة في آلية الفرملة الأوتوماتيكية بإيقاف الشفرة عن الدوران خلال 3 ثوان من تحرير مفتاح دوران الشفرة.

### نظام الدفع الذاتي ذو السرعة المتغيرة (الشكل P)

الجزازة مجهزة بنظام الدفع الذاتي ذي السرعة المتغيرة. النظام ذاتي الدفع هذا مستقل عن نظام دوران الشفرة.

### لتشغيل النظام ذاتي الدفع من دون نظام دوران الشفرة

- اضغط على زر الطاقة لإضاءة لوحة أدوات التحكم.
- قم بتدوير بكرة التحكم في السرعة ذاتية الدفع إلى الأمام قليلاً إلى أن تسمع صوت نقر، ثم اضغط على زناد (زنادات) الدفع الذاتي. هناك زنادان للدفع الذاتي، اضغط على أي منهما لبدء وظيفة الدفع الذاتي.

**إيقاف النظام ذاتي الدفع،** حرر زناد الدفع الذاتي.

P-1	بكرة التحكم في السرعة ذاتية الدفع	P-2	زناد الدفع الذاتي
-----	-----------------------------------	-----	-------------------

### كشافات LED (الشكل Q)

لتشغيل الكشافات الأمامية، اضغط على زر كشافات LED. تقدم الكشافات الأمامية ضوءاً ساطعاً أمام الجزازة.

**إيقاف تشغيل الكشافات الأمامية،** اضغط على الزر مرة أخرى.

## التفريغ الجانبي

### لتركيب/إزالة أنبوب التفريغ الجانبي (يتم بيعها بشكل منفصل)

**تنبيه:** تأكد من أن الجانب السفلي من أرضية الجازرة نظيف قبل استخدام أنبوب التفريغ الجانبي.

- قم بإزالة حقيبة العشب واضبط بكرة محدد وضعية جز الحشائش على الوضع "BAG" (الحقيبة).
- قم بتركيب أنبوب التفريغ الجانبي في الجازرة على النحو الموضح في الشكل F.

### التعبئة الكاملة لحقيبة العشب

#### لتركيب/إزالة حقيبة العشب

**⚠ تحذير:** في ظل الاستخدام العادي، تتعرض مادة تصنيع حقيبة العشب للتآكل. للحد من خطر التعرض لإصابات، افحص حقيبة العشب بانتظام واستبدلها إذا كانت هناك أي علامات على التآكل أو التدهور في الأداء. استخدم حقائب العشب التي تم تصنيعها خصيصًا لهذه الجازرة فقط.

**ملاحظة:** تأكد من أن الجانب السفلي من أرضية الجازرة نظيف قبل استخدام حقيبة العشب.

- قم بإزالة أنبوب التفريغ الجانبي واضبط بكرة محدد وضعية جز الحشائش على الوضع "BAG" (الحقيبة).
- قم بتركيب حقيبة العشب في الجازرة على النحو الموضح في الشكل G.

### التوزيع الكامل للعشب المجزور على الأرض (الشكل H)

- أزل حقيبة العشب.
- حرر باب التفريغ الخلفي.
- اضبط بكرة محدد وضعية جز الحشائش على الوضع "MULCH" (توزيع العشب المجزور على الأرض).

### الوضع الهجين لتعبئة الحقيبة/توزيع العشب المجزور على الأرض (الشكل J)

- قم بتركيب حقيبة العشب.
- اضبط بكرة محدد وضعية جز الحشائش على أحد الأوضاع الثلاثة الهجينة لتعبئة الحقيبة/توزيع العشب المجزور على الأرض.

**ملاحظة:** عندما يتم تحريك بكرة محدد وضعية جز الحشائش نحو وضع "MULCH" (توزيع العشب المجزور على الأرض)، ستم إعادة تدوير المزيد من العشب مرة أخرى إلى العشب.

عندما يتم تحريك بكرة محدد وضعية جز الحشائش ناحية الوضع "BAG" (الحقيبة)، سيتم تفريغ المزيد من العشب عبر فوهة التفريغ الخلفي إلى داخل حقيبة العشب.

### ضبط ارتفاع الجز (الشكل K)

احتفظ بأقدامك بعيدًا عن أرضية الآلة عند ضبط ارتفاع الجز. يمكن ضبط الجازرة على 8 ارتفاعات جز تتراوح ما بين 25 مم إلى 105 مم. تشير العلامة إلى ارتفاع الجز المحدد. اختر ارتفاع الجز المناسب وفقًا لنوع العشب المراد جزه وحالته.

1. أوقف تشغيل الجازرة وانتظر حتى توقف شفرة الجز تمامًا.
2. اخلع مجموعة البطارية.
3. اسحب ذراع ضبط ارتفاع الجز إلى الخارج من التجويف واضبطه على الوضع المرغوب.

**ملاحظة:** لتجنب التحميل الزائد على المحرك، تجنب ضبط ارتفاع الجز على مستوى منخفض جدًا في العشب الطويل. إذا بدأت سرعة المحرك في التباطؤ، قم برفع ارتفاع الجز.

## التشغيل

احرص دائمًا على خلع مجموعة البطارية من المنتج عند تجميع الأجزاء، أو عمل التعديلات، أو التنظيف، أو عند عدم الاستخدام. خلع مجموعة البطارية سيمنع بدء التشغيل غير المقصود، وهو ما قد يؤدي إلى وقوع إصابات شخصية خطيرة.

### تركيب/خلع مجموعة البطارية (الشكل لترات)

لا تستخدم الآلة إلا مع مجموعات بطارية وشواحن EGO المدرجة في الشكل A3.

راجع دلائل تشغيل البطاريات والشواحن ذات الصلة للتعرف على مزيد من التفاصيل.

### اشحن البطارية بالكامل قبل الاستخدام لأول مرة.

1. ارفع غطاء حجرة البطارية عن طريق رفع الجزء الأمامي من الغطاء.
2. للتركيب، قم بمحاذاة دعامة البطارية مع فتحات التركيب، واضغط على مجموعة البطارية إلى أسفل إلى أن تسمع صوت "نقرة".
3. للخلع، اضغط على أسفل على زر تحرير البطارية، واسحب مجموعة البطارية إلى الخارج.
4. أغلق غطاء حجرة البطارية.

**تنبيه:** تأكد من انغلاق اللسان الموجود بالجازرة في مكانه الصحيح، وأن مجموعة البطارية محكمة التثبيت بشكل آمن في الجازرة قبل بدء التشغيل.

### تحديد وضع سرعة الشفرة (الشكل M)

- **الوضع 2** هو وضع سرعة الشفرة العالية لأداء الجز المرتفع لتحسين قوة الشفط أو أداء الجز.
- **الوضع 1** هو أفضل توازن بين الأداء ووقت التشغيل.
- **يوفر الوضع ECO** (اقتصادي) أقل مستوى ضوضاء وأطول وقت تشغيل من مجموعة البطارية الخاصة بك.

**ملاحظة:** لا يمكن ضبط سرعة الشفرة في أثناء التشغيل. لن يسري التغيير إلا بعد إيقاف المحرك وتشغيله مرة أخرى.

اختر من بين **الوضع 1**، أو **الوضع 2**، أو **الوضع ECO** (اقتصادي) بالضغط على زر وضع سرعة الشفرة بشكل متسلسل.

**ملاحظة:** وضع سرعة الشفرة الافتراضي هو 1.

M-1	مؤشر سرعة الشفرة	M-2	زر وضع سرعة الشفرة
-----	------------------	-----	--------------------

## بكرة محدد وضعية جز الحشائش (الشكل D)

اضبط بكرة محدد وضعية جز الحشائش على أي وضع من الأوضاع الخمسة لتحقيق نتائج الجز المطلوبة.

تقوم البكرة بضبط باب منزلق من وضع الفتح الكامل، إلى وضع "BAG" (الحقيقية)، أو وضع الإغلاق الكامل، أو وضع "MULCH" (توزيع العشب المجزور على الأرض).

يمكنك من خلال ضبط بكرة محدد وضعية جز الحشائش تلبية متطلبات حالات الجز المختلفة.

**إعادة ضبط وضع البكرة،** اسحب البكرة من الماسكة واضبطها على الموضع المطلوب.

**تنبيه:** إذا تمت ملاحظة مقاومة عالية عند تحريك بكرة تحديد وضعية جز الحشائش من جانب إلى آخر، فقد يكون هناك عشب زائد قد تراكم أعلى الباب المنزلق. قم بإزالة العشب الموجود أسفل أرضية الجزيرة بعد كل استخدام.

D-1	الباب المنزلق	D-2	وضع "MULCH" (توزيع العشب المجزور على الأرض)
D-3	بكرة محدد وضعية جز الحشائش	D-4	وضع "BAG" (الحقيقية)

## وضع الباب المنزلق

يمكن ضبط وضع الباب المنزلق للحصول على نتائج جز مختلفة. لمعرفة الفرق بين الأوضاع، قم بتركيب حقيبة العشب وابدأ في الجز مع ضبط بكرة محدد وضعية جز الحشائش على الوضع "BAG" (الحقيقية). تحقق من مظهر العشب. عندما يتم تحريك البكرة نحو وضع "MULCH" (توزيع العشب المجزور على الأرض)، ستتم إعادة تدوير المزيد من العشب مرة أخرى إلى العشب. اضبط بكرة محدد وضعية جز الحشائش إلى أن يتم تحقيق النتائج المطلوبة. سيؤدي الوضع الهجين "تعينة الحقيقية/توزيع العشب المجزور على الأرض" إلى جز نظيف ودقيق.

- عند ضبط بكرة محدد وضعية جز الحشائش على الوضع "BAG" (الحقيقية)، يكون الباب المنزلق مفتوحاً بالكامل، وهو ما يسمح لجميع قصاصات العشب بالدخول إلى الحقيبة (الشكل E1).
- عند ضبط بكرة محدد وضعية جز الحشائش على الوضع الهجين "تعينة الحقيقية/توزيع العشب المجزور على الأرض"، يكون الباب المنزلق مغلقاً بشكل جزئي. سيتم إدخال بعض قصاصات العشب في الحقيبة، وتوزيع البعض الآخر بالتساوي على الأرض (الشكل E2).
- عند ضبط بكرة محدد وضعية جز الحشائش على الوضع "MULCH" (توزيع العشب المجزور على الأرض)، يكون الباب المنزلق مغلقاً بالكامل. سيتم توزيع كل قصاصات العشب بالتساوي على الأرض (الشكل E3).

## التجميع

**تحذير:** إذا حدث تلف أو فقد في أي أجزاء، لا تقم بتشغيل هذا المنتج إلا بعد استبدال الأجزاء. استخدام هذا المنتج مع وجود أجزاء تالفة أو مفقود قد يؤدي إلى وقوع إصابات شخصية خطيرة.

**تحذير:** لمنع بدء التشغيل غير المقصود، والذي قد يؤدي إلى وقوع إصابات شخصية خطيرة، احرص دائماً على خلع مجموعة البطارية من الآلة عند تجميع الأجزاء.

**تحذير:** لا تحاول إجراء أي تعديلات على هذه الآلة أو ابتداء ملحقات غير موصى بها للاستخدام مع هذه الجزيرة. أي تغيير أو تعديل من هذا النوع يعتبر سوء استخدام، وقد يؤدي إلى وضع خطير قد يتسبب في وقوع إصابات خطيرة.

## فك التغليف

- أخرج جميع الملحقات من العبوة الكرتونية.
- أمسك الجزء الأمامي من الجزيرة ومقبض الرفع في الوقت نفسه لرفع الجزيرة برفق إلى أعلى ثم إلى الخارج لإخراجها من الصندوق الكرتوني.

## ضبط المقبض القابل للطي

**تحذير:** لا تحاول بدء تشغيل الجزيرة إلا بعد قفل المقبض على وضع من أوضاع التشغيل الثلاثة سابقة الضبط: وضع التشغيل العلوي، ووضع التشغيل الأوسط، ووضع التشغيل السفلي.

- اضغط مع التثبيت على رافعة الضبط السريع لتحرير المقبض من وضع التخزين المقل (الشكل B1).

B1-1	رافعة الضبط السريع
------	--------------------

- ارفع المقبض من وضعه المطوي، ثم حرر الرافعة. أدر المقبض على محوره إلى أعلى برفق إلى أن تسمع صوت تشويك مشبك القفل وتشعر به في وضع من الأوضاع المختلفة التالية على النحو المعروض في الشكل B2.

B2-1	وضع التخزين المقل	B2-2	وضع تركيب/إزالة حقيبة العشب
B2-3	وضع التشغيل العلوي	B2-4	وضع التشغيل الأوسط
B2-5	وضع التشغيل السفلي		

- قم بتمديد القضبان الجانبية بالكامل وأغلق مشبك قفل المقبض بإحكام (الشكل B3).

**ملاحظة:** لن يمكن بدء تشغيل المحرك إلا إذا:

- القضبان الجانبية ممدودة بالكامل.
- يتم إغلاق مشبك قفل المقبض الأخضر بإحكام.
- المقبض مقل في أحد أوضاع التشغيل الثلاثة.

## تجميع حقيبة العشب (الشكل C1, C2, C3)

افحص حقيبة العشب قبل التجميع للتأكد من عدم تعرضها للتلف. قم بتجميع حقيبة العشب على النحو الموضح في الأشكال.

## المواصفات

**⚠ تحذير:** يجب تحديد معايير السلامة اللازمة لحماية المستخدم القائمة على تقييم التعرض في الظروف الحالية للاستخدام (بالأخذ في الاعتبار بجميع أجزاء دورة التشغيل مثل الأوقات التي تكون فيها الآلة مطفأة وعند الدوران في وضع الاستعداد بالإضافة إلى وقت الانطلاق).

## قائمة المحتويات (الشكل A1 و A2)

الكمية	اسم القطعة
1	جزازة الحشائش
1	حقيبة العشب
1	إطار حقيبة العشب
1	دليل التشغيل

## الوصف

### تعرف على الجزازة (الشكل A1 و A2)

1. المقبض
2. قضيب جانبي
3. مشبك قفل المقبض
4. باب التفرغ الخلفي
5. مقبض الرفع
6. غطاء حجيرة البطارية
7. كشافات أمامية LED
8. بكرة محدد وضعية جز الحشائش
9. العجلة الأمامية
10. بكرة ضبط ارتفاع الجز
11. أرضية الجزازة
12. مدخل الهواء
13. العجلة الخلفية
14. رافعة الضبط السريع
15. حقيبة العشب
16. وافي المخلفات
17. مفتاح دوران الشفرة
18. زناد الدفع الذاتي
19. بكرة التحكم في السرعة ذاتية الدفع
20. زر وضع سرعة الشفرة
21. زر الطاقة
22. زر كشافات LED
23. أيقونة كشافات LED
24. مؤشر كشافات LED
25. مؤشر حالة الجزازة
26. أيقونة الشفرة
27. مؤشر وضع سرعة الشفرة
28. أيقونة حالة الجزازة

الجهد الكهربائي	56 فولت
وضع سرعة الشفرة	2
	1
أوضاع ضبط طول الجز	ECO (اقتصادي)
ضبط طول الجز	25 مم/33 مم/43 مم / 54 مم/66 مم/79 مم / 92 مم/105 مم
عرض الجز	55 سم
حجم حقيبة العشب	85 لترًا
مع حقيبة العشب والبطارية (BA6720T)	37 كجم
طرز مجموعة الشفرة	AB2212D-E
درجة حرارة التشغيل الموصى بها	0 إلى 40 درجة مئوية
درجة حرارة التخزين الموصى بها	-20 إلى 70 درجة مئوية
مستوى قوة الصوت المقدر $L_{WA}$	95 ديسيبل(أ) 0.7=K ديسيبل(أ)
مستوى ضغط الصوت عند أذن مُشغل الآلة $L_{PA}$	83 ديسيبل(أ) 3=K ديسيبل(أ)
مستوى قوة الصوت المضمون $L_{WA}$ (تم قياسه وفقًا للمعيار EC/2000/14)	96 ديسيبل(أ)
القيمة المقدرة للاهتزاز $a_n$	المقبض الأيسر 1.35 م/ثانية <sup>2</sup> 1.5=K م/ثانية <sup>2</sup> المقبض الأيمن 1.35 م/ثانية <sup>2</sup> 1.5=K م/ثانية <sup>2</sup>

■ القيمة الكلية للاهتزاز الموضحة تم قياسها وفقًا لطريقة اختبار قياسية وقد تستخدم لمقارنة آلة بأخرى؛

■ كما يمكن استخدام القيمة الكلية للاهتزاز الموضحة في التقييم التمهيدي للتعرض.

**⚠ تحذير:** قد تختلف انبعاثات الاهتزاز أثناء الاستخدام الفعلي للألة عن القيمة المعلنة التي يتم استخدام الآلة فيها؛ ولحماية مشغل الآلة، ينبغي على المستخدم ارتداء قفازات وواقبات للأنف في ظروف الاستخدام الفعلية.

## اقرأ جميع التعليمات!

الغرض المحدد للاستخدام: المنتج معد لجز العشب يدويًا:

- استخدم الجزاة في جز العشب الجاف فقط. ولا تستخدمها في جز العشب الرطب.
- ولا تستخدمها لأي أغراض أخرى.

**تحذير:** احرص على قراءة وفهم جميع تعليمات السلامة في دليل التشغيل هذا، بما في ذلك جميع رموز تنبيهات السلامة، مثل "خطر"، و"تحذير"، و"تنبيه" قبل استخدام هذه الآلة. عدم اتباع جميع التعليمات الواردة أدناه قد يؤدي إلى حدوث صدمة كهربائية أو نشوب حريق أو التعرض للإصابة الشخصية، أحدها أو جميعها.

## رموز السلامة

تنبيه سلامة		للحد من خطر الإصابة، يجب على المستخدم قراءة وفهم دليل التشغيل قبل استخدام هذا المنتج.	
احرص دائمًا على ارتداء أدوات حماية الأذنين، ونظارات الحماية المزودة بواقبات على الجانبين، وينبغي ارتداء واقي لكامل الوجه أثناء تشغيل هذا المنتج.		أطفئ الآلة واخلع مجموعة البطارية القابلة للخلع (أو جهاز التشغيل) قبل إجراء عمليات التعديل أو التنظيف.	
احذر الأشياء المتطايرة – أبقِ المرافقين بعيدًا عن نطاق عمل الآلة.		أبقِ يديك وقدميك بعيدًا عن الشفرات	
أبقِ يديك بعيدًا		لا تحملق في لمبة التشغيل.	
مستوى قوة الصوت المضمنون.		هذا المنتج متوافق مع توجيهات شهادة الجودة الأوروبية (CE) المعمول بها.	
هذا المنتج متوافق مع تشريعات المملكة المتحدة المعمول بها.		لا يجب التخلص من الأجهزة الكهربائية المستهلكة في النفايات المنزلية. توجه بالجهاز إلى مركز إعادة تدوير معتمد.	
الحماية من تآثر الماء	IPX4	فولت	V
مليمتر	mm	سنتمتر	cm
تيار مستمر		كيلوجرام	kg

בעיה	סיבה	פתרון
מכסחת הדשא נעצרת באופן בלתי צפוי בזמן הכיסוח.	<ul style="list-style-type: none"> <li>טעינת מארז הסוללה ריקה.</li> <li>מכסחת הדשא עמוסה יתר על המידה ומחונן מצב המכסחה מהבהב בכתום.</li> </ul>	<ul style="list-style-type: none"> <li>הטעינו את מארז הסוללה.</li> <li>בדקו אם הצטבר דשא מתחת למשטח ונקו לפי הצורך. הגביהו את גובה החיתוך או כסחו לאט יותר.</li> </ul>
	<ul style="list-style-type: none"> <li>ישנה הצטברות של דשא ואשפה על משטח המכסחה.</li> </ul>	<ul style="list-style-type: none"> <li>הסירו הצטברויות ממשטח המכסחה. הגביהו את גובה החיתוך ו/או כסחו ברצועה צרה יותר.</li> </ul>
	<ul style="list-style-type: none"> <li>מעגלי מארז הסוללה או המכסחה חמים מדי. אם ישנו חימום יתר במארז הסוללה מחונן מצב המכסחה ייכבה. אם מכסחת הדשא מחוממת יתר על המידה, מחונן מצב המכסחה זוהר בכתום מלא.</li> </ul>	<ul style="list-style-type: none"> <li>אפשרו למארז הסוללה או למכסחה להתקרר.</li> </ul>
	<ul style="list-style-type: none"> <li>מצב מהירות הלהב אינו מוגדר כראוי.</li> </ul>	<ul style="list-style-type: none"> <li>בחרו את מהירות הלהב להגדרה נמוכה יותר.</li> </ul>
	<ul style="list-style-type: none"> <li>שגיאת האלקטרוניקה של מכסחת הדשא ומחונן מצב המכסחה מהבהבים באדום/רוק לסירוגין.</li> </ul>	<ul style="list-style-type: none"> <li>צרו קשר עם מרכז השירות של EGO.</li> </ul>
ישנו יתר רטט.	<ul style="list-style-type: none"> <li>מערך להבי החיתוך רופף.</li> <li>להב החיתוך אינו מאוזן.</li> <li>להב החיתוך עקום.</li> <li>פיר המנוע עקום.</li> <li>המכסחה הוגדרה לחתוך כמות גדולה מדי של דשא בבת אחת.</li> <li>מצב מהירות הלהב אינו מוגדר כראוי.</li> </ul>	<ul style="list-style-type: none"> <li>הדקו את בריח הלהב.</li> <li>צרו קשר עם מרכז השירות של EGO.</li> <li>החליפו את הלהב.</li> <li>צרו קשר עם מרכז השירות של EGO.</li> <li>הרימו את המשטח לגובה חיתוך גבוה יותר.</li> <li>הגדירו את מהירות הלהב להגדרה נמוכה יותר.</li> </ul>
	<ul style="list-style-type: none"> <li>מערך הלהבים אינו מהודק למומנט הנדרש.</li> </ul>	<ul style="list-style-type: none"> <li>הדקו מחדש את מערך הלהבים. המומנט המומלץ לבריח הלהב הוא 50-60 ניוטון מטר.</li> </ul>
	<ul style="list-style-type: none"> <li>יתר מדי גזרי דשא הצטברו על גבי ההחלקה.</li> </ul>	<ul style="list-style-type: none"> <li>נקו את הדשא מסיפון מכסחת הדשא לאחר כל שימוש בדלת.</li> </ul>

## אחריות

### מדיניות האחריות של EGO

ניתן לבקר באתר [egopowerplus.eu](http://egopowerplus.eu) כדי לעיין בתנאים וההתניות המלאים של מדיניות האחריות של EGO.

## איתור וטיפול בבעיות

בעיה	סיבה	פתרון
כשל בהפעלת מכסחת הדשא או פונקציית ההנעה העצמית.	<ul style="list-style-type: none"> <li>טעינת מארז הסוללה ריקה.</li> </ul>	<ul style="list-style-type: none"> <li>הטעינו את מארז הסוללה.</li> </ul>
	<ul style="list-style-type: none"> <li>מארז הסוללה אינו מוכנס כראוי לתא הסוללה.</li> </ul>	<ul style="list-style-type: none"> <li>דחפו את מארז הסוללה אל תא הסוללה עד אשר יישמע „קליק“.</li> </ul>
	<ul style="list-style-type: none"> <li>הידית אינה נעולה במצב פעולה ומחווני מצב מכסחת הדשא מהבהב בירוק.</li> </ul>	<ul style="list-style-type: none"> <li>כבו את המכסחה וודאו שהידית נעולה באחד ממצבי הפעלה.</li> </ul>
	<ul style="list-style-type: none"> <li>ישנה הצטברות של דשא ואשפה על משטח המכסחה.</li> </ul>	<ul style="list-style-type: none"> <li>נקו את משטח המכסחה, וודאו שלמערך הלהב ישנו חופש תנועה.</li> </ul>
המכסחה איננה מכסחת באופן אחיד.	<ul style="list-style-type: none"> <li>מערך הלהבים קהה.</li> </ul>	<ul style="list-style-type: none"> <li>חדדו או החליפו את מערך הלהבים.</li> </ul>
	<ul style="list-style-type: none"> <li>גובה החיתוך לא נקבע כהלכה.</li> </ul>	<ul style="list-style-type: none"> <li>הזיזו את גובה המשטח להגדרה גבוהה יותר.</li> </ul>
	<ul style="list-style-type: none"> <li>מערך הלהבים מותקן באופן שגוי.</li> </ul>	<ul style="list-style-type: none"> <li>התקינו מערך הלהבים, בהתאם לסעיף "החלפת מערך הלהבים" במדריך זה.</li> </ul>
	<ul style="list-style-type: none"> <li>מצב מהירות הלהב אינו מוגדר כראוי.</li> </ul>	<ul style="list-style-type: none"> <li>בחרו מצב מהירות להב מתאים.</li> </ul>
המכסחה איננה מבצעת החזרה אל הקרקע באופן ראוי.	<ul style="list-style-type: none"> <li>ישנה הצטברות של חתיכות דשא רטוב בחלק התחתון של המשטח.</li> </ul>	<ul style="list-style-type: none"> <li>חכו עד אשר הדשא מתייבש לפני הכיסוח.</li> </ul>
	<ul style="list-style-type: none"> <li>המכסחה הוגדרה לחתוך כמות גדולה מדי של דשא בבת אחת.</li> </ul>	<ul style="list-style-type: none"> <li>הרימו את המשטח לגובה חיתוך גבוה יותר.</li> </ul>
	<ul style="list-style-type: none"> <li>מצב מהירות הלהב אינו מוגדר כראוי.</li> </ul>	<ul style="list-style-type: none"> <li>בחרו את מהירות הלהב להגדרה נמוכה יותר.</li> </ul>



## תחזוקה

**⚠ אזהרה:** על מנת למנוע פציעות אישיות, כבו תמיד את המכסחה, הסירו את מארז הסוללה וודאו שכל החלקים הנעים הגיעו לעצירה מלאה לפני ניקוי או ביצוע כל עבודת תחזוקה או הובלה של המכסחה.

**⚠ אזהרה:** שמור תמיד על תחזוקה שוטפת של המכונה.

**⚠ אזהרה:** עצרו את המכשיר והסירו את ערכת הסוללות כדי לוודא שכל החלקים הנעים נעצרו לחלוטין במקרה שפגעתם בחפץ זר, וכדי לבדוק לאתר את הנזק או לבצע תיקונים לפני הפעלה מחדש של המכשיר.

**⚠ אזהרה:** עצרו את המכשיר והסירו את ערכת הסוללות כדי לוודא שכל החלקים הנעים נעצרו לחלוטין במקרה שבו המכשיר התחילה לרטוט בצורה חריגה וכדי לבדוק אם אירע נזק ואם יש צורך להחליף או לתקן חלקים פגומים או להדק רכיבים רופפים.

**⚠ אזהרה:** במקרה של עבודות תיקון, השתמש רק בחלקי חילוף זהים. שימוש בחלקי חילוף אחרים עלול לגרום לסכנה או נזק למוצר. על מנת להבטיח בטיחות ואמינות, יש לבצע את כל התיקונים וההחלפות בעזרת טכנאי שירות מוסמך.

### ניקיון המכסחה

יש לנקות את החלק התחתון של משטח המכסחה לאחר כל שימוש, בגלל שחלקי דשא, עלים, לכלוך וחלקי אשפה אחרים יצטברו.

הסירו כל דשא או עלים שהצטברו מעל או מסביב לפיר ההנעה ומאוורר המנוע. נקו את המכסחה בעזרת מטלית לחה.

### החלפת סט הלהב (איור R1, R2, R3)

**⚠ אזהרה:** הסירו תמיד את מארז הסוללה ואת שק הדשא.

**⚠ אזהרה:** לבשו תמיד כפפות מגן.

**הודעה:** נקו היטב את אזור פיר ההנעה ואת החלק התחתון של המכשיר לפני התקנת הלהב.

1. הפכו את המכסחה.
2. הסירו/התקינו את סט הלהב עם מפתח מומנט ושני מוטות מתכת לסיוע כמו באיור.
3. צד הלהב המודפס כלפי חוץ.

### אחסון המכסחה (איור S1 ו-S2)

■ הסירו את מארז הסוללה מן המכסחה ואחסנו במקום קריר, יבש ונקי. אל תאחסנו ליד חומרים הגורמים לקורוזיה, כגון חומרי דשן או גבישי מלח.

■ רוקנו את שקית הדשא לפני האחסון.

■ אפשר תמיד למכסחת הדשא להתקרר לפני האחסון.

■ ניקוי ותחזוקה לפני האחסון.

■ אחסנו את המכסחה במקום סגור, מכוסה, מקום קריר ויבש והרחק מהישג ידם של ילדים.

■ אל תכסו את המכסחה עם כיסוי פלסטיק מוצק. כיסויי פלסטיק שמורים על לחות מסביב למכסחה, הדבר גורם לחלודה ולקורוזיה.

■ את מכסחת הדשא ניתן לאחסן בצורה שטוחה זקופה (איור S1 ו-S2).

**⚠ אזהרה:** אם המכסחה מתחילה ליפול מן העמדה האנכית שלה, הדבר עלול לגרום לנזק למכסחה או לפגיעה אישית. שימרו תמיד על יציבות המכסחה והרחק מהישג ידם של ילדים כאשר היא בעמדה אנכית. אם אפשר, אחסנו במצב שטוח.

### הגנה על הסביבה

אל תיזרקו מכשירים חשמליים כחלק מאשפה ביתית, השתמשו בהתקני איסוף נפרדים.

צרו קשר עם משרדים הממשלה המקומיים עבור מידע על מערכות האיסוף הזמינות.

אם ציוד חשמלי נזרק ביחד עם אשפה ביתית או במזבלה, חומרים מסוכנים עלולים לנזול אל האדמה ולהפוך לחלק משרשרת המזון. דבר העלול לגרום לנזק לבריאות ולרווחה שלכם.



### מחוני מצב המכסחה (איור A2)

מחון מצב מכסחת הדשא על גבי לוח המחונים מציג את מצב העבודה של מכסחת הדשא.

מחון	תיאור	פירוש	פעולה
	אור ירוק יציב	המכסחה עובדת כראוי.	לא נחוצה.
	אור ירוק מהבהב	המסילות הצדדיות אינן מורחבות לגמרי.	כבו את המכסחה וודאו שהמסילות הצדדיות מורחבות לגמרי.
		הידיית אינה נעולה במצב הפעלה.	כבו את המכסחה וודאו שהידיית נעולה באחד משלושת מצבי ההפעלה.
	אור אדום מהבהב	טעינת סוללה נמוכה.	כבו את המכסחה והטעינו את מארז הסוללה.
	אור כתום יציב	ישנו חימום יתר במכסחה.	שחררו את מתג הניתוק, המתינו עד שטמפרטורת מכסחת הדשא תרד מתחת ל-80 מעלות צלזיוס. ראו "הגנה מפני טמפרטורה גבוהה של המכסחה" למטה.
	אור כתום מהבהב	ישנו עומס יתר במכסחה.	1. הסירו תחילה את מארז הסוללה ולאחר מכן בדקו ונקו את הדשא שהצטבר מתחת למשטח. נקו לפי הצורך.
			2. האטו את הקצב שלכם בעת החיתוך. 3. הרימו את גובה החיתוך. 4. אם הפתרונות לעיל אינם פועלים, אנא צרו קשר עם מרכז הלקוחות של EGO. ראו "הגנה מפני עומס יתר של המכסחה" למטה.
	אור אדום/ירוק מהבהבים לסירוגין	שגיאת אלקטרוניקה במכסחת הדשא.	צרו קשר עם מחלקת שירות הלקוחות של EGO.

#### הגנה על המכסחה מפני עומס יתר

כדי למנוע תנאי עומס יתר, אל תנסו להסיר כמות גדולה של דשא בבת אחת. הפחיתו את קצב הכיסוח שלכם או הגביהו את גובה החיתוך.

למכסחה ישנו מעגל הגנה מובנה מפני עומס יתר. כאשר ישנו עומס יתר של המכסחה, המנוע ייעצר ומחון הסטטוס של המכסחה שעל לוח המחונים יבהב בצבע הכתום.

#### הגנה על המכסחה מפני טמפרטורה גבוהה

אם טמפרטורת מכסחת הדשא עולה מעל 90°C בעת ההפעלה, מעגל הגנת הטמפרטורה יכבה מיד את המכסחה כדי למנוע נזקי חימום יתר.

מחון מצב הסוללה יזהר בצבע כתום רציף. שחררו את הדק סיבוב הלהב והמתינו עד שמכסחת הדשא שהתחממה יתר על המידה תתקרר ומחון המצב יתפוך לירוק, ואז הפעילו מחדש את מכסחת הדשא.

## הפעלה/כיבוי של המכסחה

ניתן להשתמש במוצר בגשם.

**⚠ אזהרה:** הפעלה של כל מכסחת דשא עלולה לגרום לעצמים זרים להיזרק אל תוך העיניים, דבר העלול לגרום לנזק חמור לעיניים. ענדו תמיד משקפי מגן בעת הפעלה מכסחת הדשא או בעת ביצוע כל כיוונון או תיקון בה.

**הודעה:** הלהב ימשיך להסתובב לכמה שניות לאחר כיבוי המכסחה. אפשרו למנוע/להב להגיע לעצירה מלאה לפני הפעלתם מחדש. אל תפעילו ותכבו את המכסחה במהירות.

**⚠ אזהרה:** יש לעצור את הלהבים בעת הטיית המכשיר והובלתו על פני משטחים שאינם דשא ובעת הובלת המכשיר אל ומהאזור שברצונכם לכסח.

**⚠ אזהרה:** אין להטות את מכסחת הדשא בעת הפעלת המנוע, אלא אם יש צורך להטות את מכסחת הדשא לשם התנעה. במקרה זה, אל תטו את המכשיר מעבר למידת הצורך והרימו רק את הצד אשר לא נמצא ליד המפעיל.

לפני השימוש, בדקו תמיד שאין סימני בלאי או נזקים על גבי הלהבים ובורגי הלהבים. החליפו להבים או ברגים בלויים או פגומים בסטים על מנת לשמור על איזון.

### בדקו אם יש חסימה של להב החיתוך

- כדי למנוע סתימה, יש לשמור על להב החיתוך וסיפון המכסחת נקיים. הסירו גזרי דשא, עלים, לכלוך וכל פסולת אחרת שהצטברו לפני ואחרי כל שימוש.

- כאשר מתרחשת חסימה, עצרו את המכסחה והסירו את מארז הסוללה, לאחר מכן הסירו כל דשא או עלים שהצטברו מעל או מסביב לפיר ההנעה ומאוורר המנוע. נקו את המכסחה בעזרת מטלית לכה.

**זירות:** אל תנסו לעקוף את פעולת לחצן ההפעלה והדק סיבוב הלהב.

**הערה:** לא ניתן להתניע את המנוע אלא אם כן הידית נעולה באחת משלוש עמדות ההפעלה.

### להפעלת מכסחת הדשא (איור N1 ו-N2)

- חברו את מארז הסוללה למכסחת הדשא וסגרו את מכסה תא הסוללה.
- לחצו על לחצן ההפעלה כדי להאיר את לוח המחוונים, ומחווון מצב מכסחת הדשא - מחווון מהירות הלהב עבור מצב 1 יידלק.
- לחצו על לחצן מצב מהירות הלהב כדי לבחור את המהירות הרצויה.
- לחצו והחזיקו את לחצן ההפעלה.
- כשלחצן ההפעלה לחוץ, משכו את הדק סיבוב הלהב כל שייגע בידית ושחררו את לחצן ההפעלה.

## להפסקת פעולת המכסחה (איור N3)

- שחררו לגמרי את הדק סיבוב הלהב.
- המעצור החשמלי במנגנון העצירה האוטומטית יעצור את סיבוב הלהב בתוך 3 שניות משחרור הדק סיבוב הלהב.

### מערכת הנעה עצמית בעלת מהירויות שונות

(איור P)

המכסחה מצוידת ביכולת הנעה עצמית בעלת מהירויות שונות. מערכת הנעה עצמית זו אינה תלויה בסיבוב הלהב.

### להפעלת מערכת ההנעה העצמית ללא סיבוב להב

- לחצו על לחצן ההפעלה כדי להאיר את לוח המחוונים.
- סובבו מעט את חוגת המהירות להנעה העצמית קדימה עד שניתן יהיה לשמוע קליק, ולאחר מכן לחצו על מתג ההנעה העצמית. ישנם שני מתגי הנעה עצמית, לחצו על אחד מהם כדי להתחיל את פונקציית ההנעה העצמית.

**על מנת לכבות את ההנעה העצמית,** שחררו את מתג ההנעה העצמית.

מתג הנעה עצמית	P-2	חוגת מהירות הנעה עצמית	P-1
----------------	-----	------------------------	-----

### פנסי לד קדמיים (איור Q)

**כדי להדליק את הפנסים,** לחצו על מתג פנסי הלד הקדמיים. הפנסים הקדמיים יספקו אור בהיר בחלק הקדמי של מכסחת הדשא.

**כדי לכבות את הפנסים הקדמיים,** לחצו שוב על הכפתור.

**הערה:** כדי להימנע מעומס יתר של המנוע, הימנעו מקביעת גובה חיתוך נמוך מדי בדשא גבוה. אם מהירות המנוע מתחילה להאט, העלו את גובה החיתוך.

## הפעלה

הסירו תמיד את מארז הסוללה מן המכשיר בעת הרכבת חלקים, ביצוע התאמות, ניקיון או כאשר המכשיר אינו נמצא בשימוש. על מנת למנוע הפעלה מקרית אשר עלולה להוביל לפציעה אישית חמורה, הסירו תמיד את מארז הסוללה מן המכשיר.

### הצמדה/הסרה של מארז הסוללה (איור L)

יש להשתמש רק במארזי הסוללה והמטענים של EGO המפורטים באיור A3.

עיינו במדריכי הסוללות והמטענים התואמים לפרטים נוספים.

### הטעינו לפני השימוש הראשון

1. הרימו את מכסה תא הסוללות על ידי הרמת החלק הקדמי של המכסה.
2. **להצמדה**, ישרו את עורקי הסוללה עם חריצי ההרכבה ולחצו את מארז הסוללה כלפי מטה עד אשר יישמע "קליק".
3. **לניתוק**, לחצו על לחצן שחרור הסוללה והוציאו את מארז הסוללה.
4. סגרו את מכסה תא הסוללות.

**הודעה:** וודאו שברייח המכסה נכנס למקומו ושמארז הסוללה מחובר כהלכה אל המכסה לפני התחלת ההפעלה.

### בחירת מצב מהירות להב (איור M)

- **מצב 2** הוא מצב מהירות להב גבוהה לביצועי הרמה גבוהה לשיפור כוח היניקה או ביצועי החיתוך.
- **מצב 1** הוא האיזון הטוב ביותר בין ביצועים לזמן הפעלה.
- **מצב ECO** מספק את רמת הרעש הנמוכה ביותר ואת זמן הפעולה הארוך ביותר של מארז הסוללות.

**הערה:** לא ניתן לכוונן את מהירות הלהב במהלך ההפעלה. השינוי ייכנס לתוקפו רק לאחר עצירת המנוע והפעלתו מחדש.

בחרו מבין **מצב 2**, **1** או **ECO** על ידי לחיצה רציפה על לחצן מצב מהירות הלהב.

**הערה:** מצב מהירות הלהב המוגדר כברירת מחדל הוא מצב 1.

M-1	אינדיקטור להב	M-2	לחצן מצב מהירות להב
-----	---------------	-----	---------------------

- הסירו את שקית הדשא והגדירו את ידית בורר הגזרים לעמדת "BAG".
- התקינו את אשד הפליטה הצדדית בתוך מכסחת הדשא כפי שמוצג באיור F.

### הכנסה מלאה אל השק

#### על מנת להצמיד/ להסיר את שק הדשא

**⚠ אזהרה:** תחת תנאי שימוש נורמליים, חומר שק הדשא יתבלה עם הזמן. על מנת להפחית את הסיכון לפציעות, בדקו את שק הדשא בתדירות גבוהה והחליפו אותו אם ישנם סימנים של בלאי או נזקים. השתמשו רק בשקים המיוצרים עבור מכסחה זו.

**הודעה:** ודאו שחלקו התחתון של הסיפון נקי לפני השימוש בשק הדשא.

- הסירו את אשד הפריקה הצדדית והגדירו את ידית בורר הגזרים לעמדת "BAG".
- התקינו את שקית הדשא במכסחת הדשא כפי שמוצג באיור G.

#### החזרה מלאה אל הקרקע (איור H)

- הסירו את שק הדשא.
- שחררו את דלת הפריקה האחורית.
- העבירו את ידית בורר הגזרים לעמדת "MULCH".

#### מצב היברידי של BAGGING/MULCHING (איור J)

- חברו את שק הדשא.
- העבירו את ידית בורר הגזרים לאחת מעמדות ה-bagging/mulching ההיברידיות.

**הערה:** ככל שידית בורר הגזרים תועבר לכיוון עמדת "MULCH", יותר דשא ימוחר חזרה לכר הדשא. כאשר ידית בורר הגזרים מועברת לכיוון עמדת "BAG", יותר דשא ישתחרר דרך הפריקה האחורית לתוך שק הדשא.

#### כוונון גובה החיתוך (איור K)

שימרו על רגליכם הרחק מן המשטח בעת כיוונון גובהו. ניתן לכוונון את המכסחה ל-8 גבהי חיתוך בין 25 מ"מ ו-105 מ"מ. סימון מצוין את גובה החיתוך שנבחר. בחרו את גובה החיתוך המתאים בהתאם לסוג הדשא ולתנאיו.

1. כבו את המכסחה והמתינו עד שלהב החיתוך ייעצר לחלוטין.
2. הסירו את מארז הסוללה.
3. משכו את ידית כונון גובה החיתוך ממעצור התנועה לאחור והציבו אותה במצב הרצוי.

## הרכבה

### הרכבת שק הדשא (איור C1, C2, C3)

בדקו את שק הדשא לפני ההרכבה, כדי לוודא שאין נזק. הרכיבו את שק הדשא כפי שמאוייר.

### ידיית בורר גזרים (איור D)

מקמו את ידיית בורר הגזרים בכל אחת מחמש העמדות כדי להשיג את תוצאות הכיסוח הרצויות.

הידיית יכולה להתאים את דלת ההחלקה מעמדת "BAG" פתוחה לחלוטין לעמדת "MULCH" סגורה לחלוטין.

על ידי התאמת ידיית בורר הגזרים, ניתן לעמוד בתנאי כיסוח שונים.

**כדי למקם מחדש את הידיית**, משכו את הידיית מתוך החרץ והעבירו אותה למצב הרצוי.

**הודעה:** אם מבחינים בהתנגדות גבוהה בעת הזזת ידיית בורר הגזרים מצד לצד, ייתכן שהצטבר דשא יתר על המידה על גבי דלת ההחלקה. נקו את הדשא מתחת לסיפון מכסחת הדשא לאחר כל שימוש.

עמדת "MULCH"	D-2	דלת החלקה	D-1
עמדת "BAG"	D-4	ידיית בורר גזרים	D-3

### עמדת דלת החלקה

ניתן למקם את דלת ההחלקה כדי להגיע אל תוצאות כיסוח שונות. כדי ללמוד את ההבדל בין העמדות, התקינו שקית דשא והתחילו לכסח עם ידיית בורר הגזרים בעמדת "BAG". בדקו את מראה הדשא. כאשר הידיית מועברת לכיוון עמדת "MULCH", יותר דשא ימוחר חזרה לכר הדשא. התאימו את ידיית בורר הגזרים עד להשגת התוצאה הרצויה. העמדה ההיברידית / bagging/mulching תעניק חיתוך נקי ועדין.

**ידיית בורר הגזרים בעמדת "BAG"**, דלת ההחלקה פתוחה במלואה ומאפשרת לכל גזירי הדשא להיכנס לתוך השקית (איור E1).

**ידיית בורר הגזרים בעמדות היברידיות של bagging/mulching**, דלת ההחלקה סגורה בחלקה. חלק מהגזרים יכנסו לתוך השקית, וחלקם יהיו חתוכים באופן דק ויוחזרו אל הקרקע (איור E2).

**ידיית בורר הגזרים בעמדת "MULCH"**, דלת ההחלקה סגורה לחלוטין. כל הגזרים יהיו חתוכים באופן דק ויוחזרו אל הקרקע (איור E3).

### פריקה צדדית

**על מנת להצמיד/להסיר את האשד לפריקה צדדית (נמכר בנפרד)**

**הודעה:** ודאו שחלקו התחתון של הסיפון נקי לפני השימוש באשד הפריקה הצדדית.

**⚠ אזהרה:** אם ישנם חלקים ניזוקים או חסרים, אל תפעילו את המכשיר עד אשר חלקים אלו יוחלפו. שימוש במכשיר זה עם חלקים פגומים או חסרים עלול לגרום לפציעה אישית חמורה.

**⚠ אזהרה:** על מנת למנוע הפעלה מקרית אשר עלולה להוביל לפציעה אישית חמורה, הסירו תמיד את מארז הסוללה מן המכשיר בעת הרכבת חלקים.

**⚠ אזהרה:** אל תנסו לשנות את המוצר או ליצור אביזרים אשר אינם מומלצים לשימוש ביחד עם מכסחת הדשא. כל שינוי או הוספה כאלה מהווים שימוש לא נכון ועלול לגרום לתנאים מסוכנים אשר יובילו לפציעה אישית חמורה.

### הוצאה מן הארצה

- הוציאו את כל האביזרים מהקרטון.
- אחזו בחזית מכסחת הדשא ובידיית ההרמה בו זמנית כדי להרים בזירות את מכסחת הדשא למעלה והוצאו מהקרטון.

### כיוונון הידיית המתקפלת

**⚠ אזהרה:** אין לנסות להפעיל את מכסחת הדשא עד אשר הידיית ננעלה באחת משלוש עמדות ההפעלה המוגדרות מראש: עמדת הפעלה עליונה, עמדת הפעלה אמצעית ועמדת הפעלה תחתונה.

1. לחצו והחזיקו את דוושת הכונון המהיר כדי לשחרר את הידיית מעמדת האחסון הנעולה (איור B1).

B1-1	דוושת כיוונון מהיר
------	--------------------

2. רימו את הידיית מהמצב המקופל ולאחר מכן שחררו את הדוושה. סובבו העדינות את הידיית כלפי מעלה עד אשר תשמעו ותרגישו את מוט הנעילה נכנס אל אחת מן העמדות השונות הבאות כמתואר באיור B2.

B2-1	מצב אחסון נעול	B2-2	הסרה של שק הדשא
B2-3	מצב הפעלה עליון	B2-4	מצב הפעלה אמצעי
B2-5	מצב הפעלה תחתון		

3. הרכיבו לגמרי את המסילות הצדדיות וסגרו בבטחה את המלחציים לנעילת הידיית (איור B3).

**הערה:** לא ניתן יהיה להפעיל את המנוע אלא אם כן:

- המסילות הצדדיות מורחבות לגמרי.
- מלחצי נעילת הידיית הירוקים סגורים בבטחה.
- הידיית נעולה באחד משלושת מצבי ההפעלה.

**⚠ אזהרה:** יש צורך לזהות אמצעי בטיחות להגנה על המפעיל המבוססים על אומדן החשיפה בתנאי השימוש בפועל (תוך התחשבות בכל חלקי מחזור ההפעלה כגון זמני כיבוי המכשיר ומתי הוא פועל במצב סרק בנוסף לזמן ההדק).

### רשימת אריזה (איור A1 ו-A2)

שם חלק	כמות
מכסחת דשא	1
שק דשא	1
מסגרת שק דשא	1
מדריך למפעיל	1

### תיאור

הכירו את מכסחת הדשא שלכם (איור A1 ו-A2)

1. ידית
2. מסילה צדדית
3. מלחציים לנעילת הידית
4. דלת פריקה אחורית
5. ידית הרמה
6. מכסה תא הסוללה
7. פנסי לד קדמיים
8. ידית בורר גזרים
9. גלגל קדמי
10. כפתור כוונן גובה חיתוך
11. משטח
12. פתח כניסת האוויר
13. גלגל אחורי
14. דוושת כיוון מהיר
15. שק דשא
16. מגן נתיב
17. הדק סיבוב להב
18. מתג הנעה עצמית
19. חוגת מהירות הנעה עצמית
20. לחצן מצב מהירות להב
21. לחצן הפעלה
22. לחצן פנסי לד קדמיים
23. סמל פנסי לד קדמיים
24. מחוון פנסי לד קדמיים
25. אינדיקטור סטטוס עבור המכסחה
26. סמל להב
27. מחוון מצב מהירות להב
28. סמל מצב מכסחת דשא

מתח	V 56
מצב מהירות להב	2
	1
	ECO
עמדות גובה חיתוך	8
הגדרת גובה חיתוך	25 מ"מ/33 מ"מ/43 מ"מ/ 54 מ"מ/66 מ"מ/79 מ"מ/ 92 מ"מ/105 מ"מ
רוחב חיתוך	55 ס"מ
נפח שק דשא	85 ליטר
עם שקיט דשא וסוללה (BA6720T)	37 ק"ג
דגם טו להבים	AB2212D-E
טמפרטורת הפעלה מומלצת	0°C עד 40°C
טמפרטורת אחסון מומלצת	-20°C עד 70°C
עוצמת קול נמדדת רמת $L_{WA}$	95 dB(A) 0.7=K dB(A)
רמת לחץ קול באוזן המפעיל $L_{PA}$	83 dB(A) 3=K dB(A)
צליל מובטח רמת הספק $L_{WA}$ (נמדדת לפי EC/2000/14)	96 dB(A)
הערכת רטט $a_n$ :	ידית שמאלית
	ידית ימנית

- ערך הרטט הכללי המוצהר נמדד בהתאם לשיטת בדיקה סטנדרטית וניתן להשתמש בו כדי להשוות בין מכונות;
- ניתן להשתמש בערך הרטט הכללי המוצהר בהערכה ראשונית של חשיפה.

**⚠ אזהרה:** פליטת הרטט בעת השימוש המעשי במכשיר יכולה להיות שונה מן הערך המוצהר כאשר המכשיר נמצא בשימוש; כדי להגן על המפעיל, על המשתמש ללבוש כפפות ומגני אוזניים בעת השימוש למעשה.

## אנא קראו את כל ההוראות!

**שימוש מיועד:** המוצר מיועד לכיסוח דשא ידני:

- יש להשתמש רק לכיסוח דשא יבש. אין לכסח דשא רטוב.
- אל תשתמשו במכשיר לכל מטרה אחרת.

**⚠ אזהרה:** וודאו שאתם קוראים ומבינים את כל הוראות הבטיחות המופיעות במדריך זה למשתמש, כולל כל סימני התראות הבטיחות כגון „סכנה“, „אזהרה“ ו„זהירות“ לפני השימוש במכשיר. אי מילוי אחר כל ההוראות המופיעות למטה יכול לגרום להלם חשמלי, שרפה ו/או פציעות אישיות חמורות.

### סמלי בטיחות

<p>על מנת להפחית את הסיכון לפציעות, על המשתמש לקרוא ולהבין את המדריך למשתמש לפני השימוש במוצר זה.</p>		<p>התראת בטיחות</p>	
<p>כבו והסירו את מארז הסוללה (או את מכשיר הנטרול) לפני כל התאמה או ניקיון.</p>		<p>יש לחבוש תמיד מגני אוזניים ומשקפי מגן או משקפי בטיחות בעלי הגנה צדדית, ובעת הצורך, מגן פנים מלא, בעת הפעלת מוצר זה.</p>	
<p>יש להרחיק את הידיים והרגליים מהלהבים</p>		<p>הזהרו מחפצים מושלכים - הרחיקו עוברי אורח.</p>	
<p>אין להביט ישירות על נורת הפעלה.</p>		<p>שמרו על הידיים והרגליים במרחק בטוח</p>	
<p>מוצר זה תואם לתקנות ה-EC הרלוונטיות.</p>		<p>רמת עוצמת קול מובטחת.</p>	
<p>אין לזרוק מוצרים חשמליים עם האשפה הביתית. יש להביא את המכשיר למרכז מחזור מוסמך.</p>		<p>מוצר זה תואם לחוקים הרלוונטיים בבריטניה.</p>	
<p>V וולט</p>	<p>V</p>	<p>IPX4 הגנה מפני התזת מים</p>	<p>IPX4</p>
<p>cm סנטימטר</p>	<p>cm</p>	<p>mm מילימטר</p>	<p>mm</p>
<p>kg קילוגרם</p>	<p>kg</p>	<p>זרם ישיר</p>	

# EGO™

POWER<sup>+</sup> MOWER



**LM2230E-SP**

מכסחת דשא אלחוטית עם סוללת HE  
ליתיום-יון 56 וולט

جرازة لاسلكية ببطارية ليثيوم-أيون 56 فولت AR

