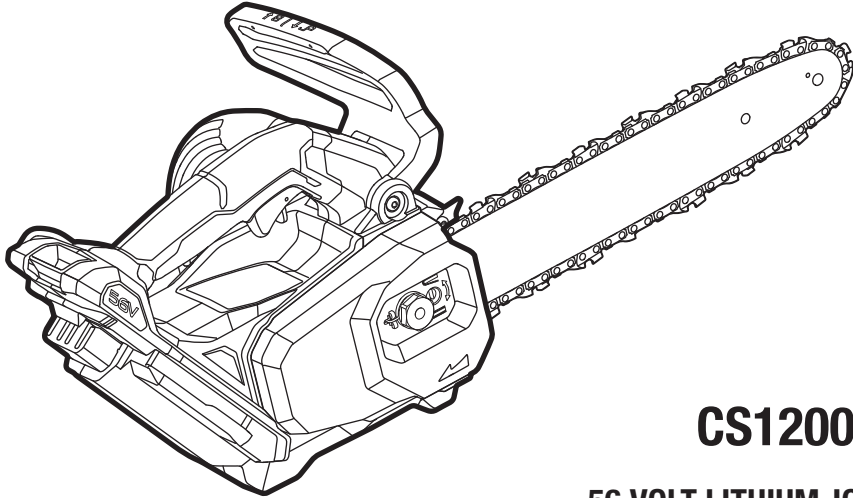


EGO™

POWER⁺ TOP HANDLE CHAIN SAW

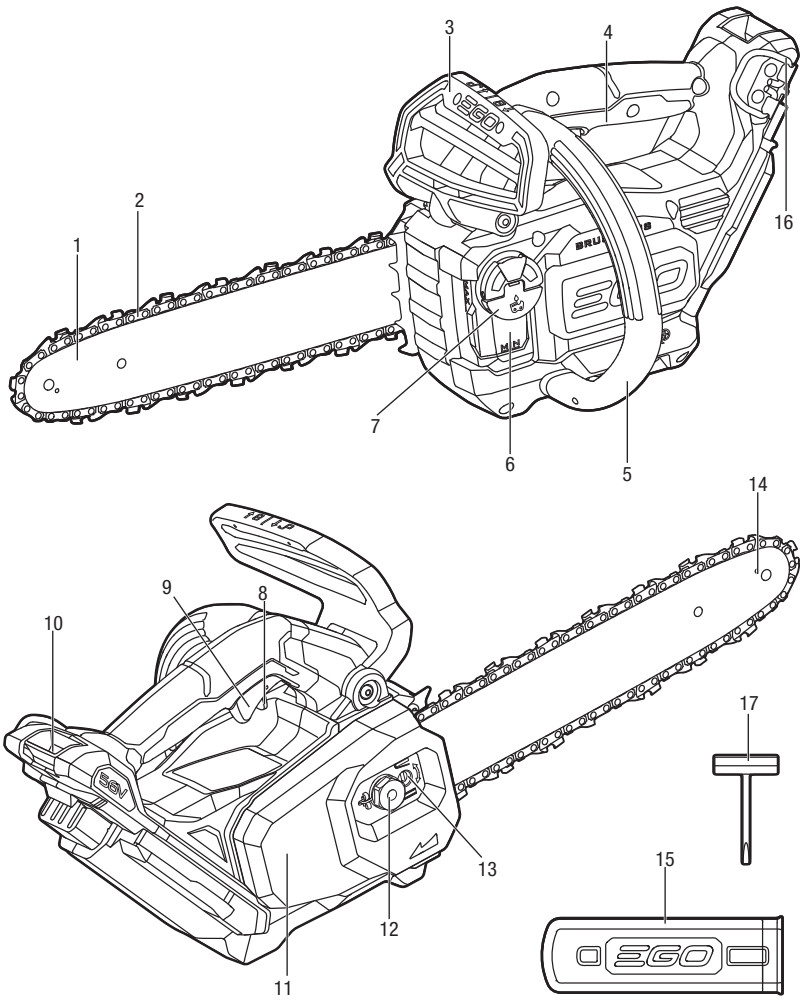


CS1200E

56 VOLT LITHIUM-ION CORDLESS TOP HANDLE CHAIN SAW

EN	56 volt lithium-ion cordless top handle chain saw	6	RO	Ferăstrău cu lanț cu acumulator și mâner superior 56	142
DE	56 v akku-kettensäge, lithium-ionen-akku	14	SL	56-voltna litij-ioniska brezžična verižna žaga z zgornjim	151
FR	Tronçonneuse sans fil à batterie lithium-ion 56v avec	23	LT	56 voltų ličio jonų akumuliatorinis grandininis pjūklas su	159
ES	Motosierra inalámbrica de mango superior con batería	32	LV	56 voltu litija-jonu bezvadu ķēdes zāģis ar augšējo	167
PT	Motosserra com pega superior sem fios com bateria de	41	GR	Αλυστοπρινο μπαταρίας ανω λαβής 56 volt	175
IT	Motosega con impugnatura superiore cordless li-ion 56	50	TR	56 volt lityum-lyon akülü üstten tutmalı motorlu testere	184
NL	56 volt lithium-ion accukettingzaag met bovenhand	59	ET	56-voldise liitiumioonakuga kettsaag, ülemise	192
DK	Batteridrevet motorsav med tophåndtag og 56v	68	UK	Ланцюгова пила з 56-вольтним літій-іонним	200
SE	56 volt litiumjon sladdlös motorsåg med över handtag	76	BG	56-волтов литиево-йонен безкабелен верижен	209
FI	56 voltin litiumioniakulla toimiva yläkahvallinen	84	HR	56-voltna litij-ioniska baterijska lančana pila s gornjim	218
NO	56 volt lithium-ion trådløs kjedesag med topphåndtak	92	KA	56 ვოლტობანი ლითიუმ-იონის ზედა	226
RU	Беспроводная цепная пила с верхней рукояткой и	100	SR	56 volti litijum-jonska bežična motorna testera sa	236
PL	Piła łańcuchowa z uchwytem górnym i akumulatorem	109	BS	Akumulatorska lančana pila s gornjom ručkom i	244
CZ	56 v lithium-iontová akumulátorová řetězová pila s horní	118	AR	منشار سلسلي لاسلكي بمقبض علوي وبطارية ليثيوم-يون 56 فولت	259
SK	56 v litium-iónová akumulátorová reťazová pila s hornou	126	HE	מסור שרשרת אלחוטי עם ידית עליונה וסוללת ליתיום-56 וולט	267
HU	56 voltos li-ion akkumulátoros láncfűrész	134			

A1



A2

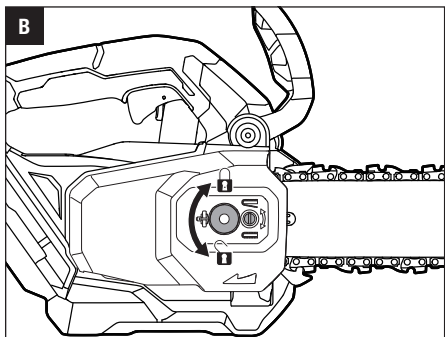
BA1400,
BA1400T

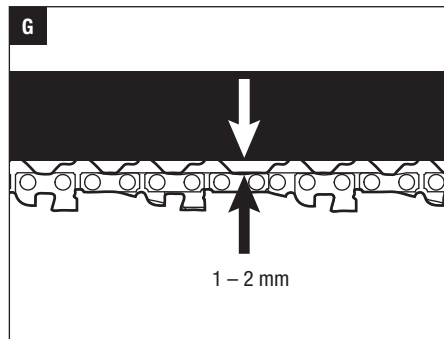
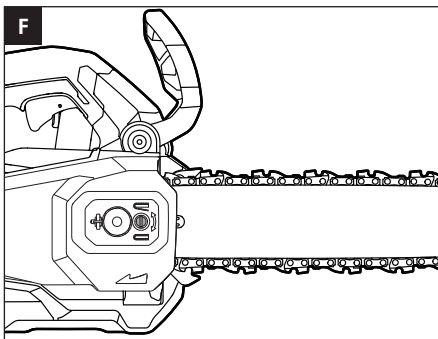
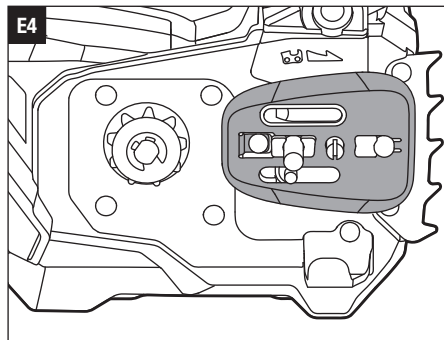
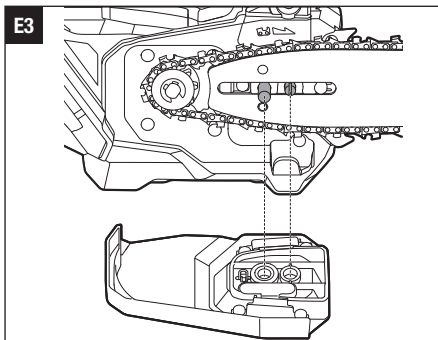
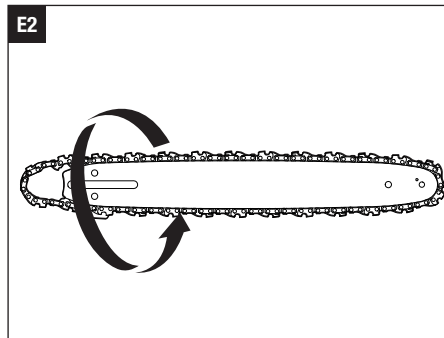
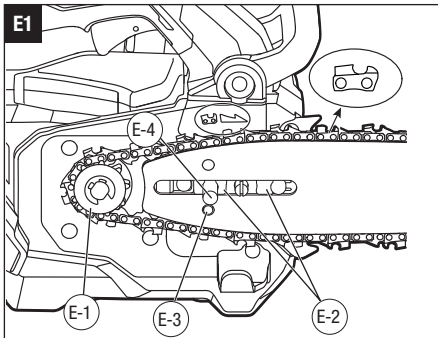
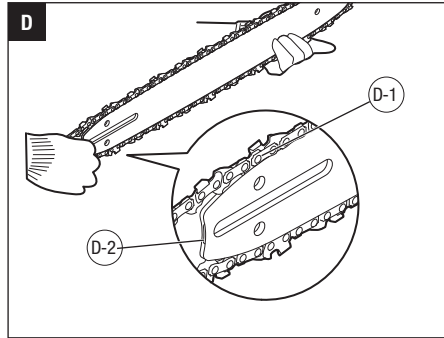
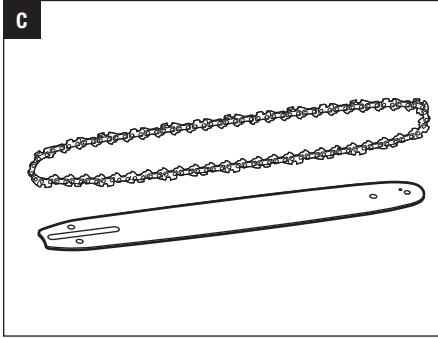


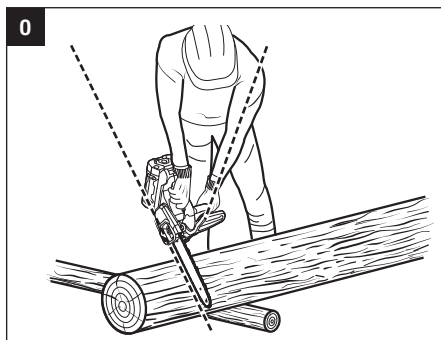
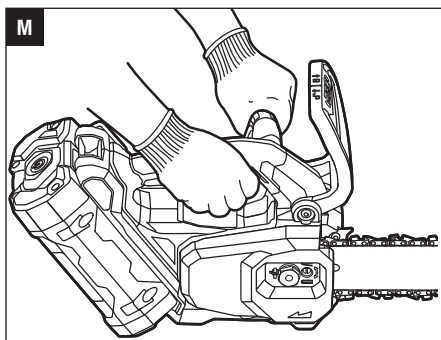
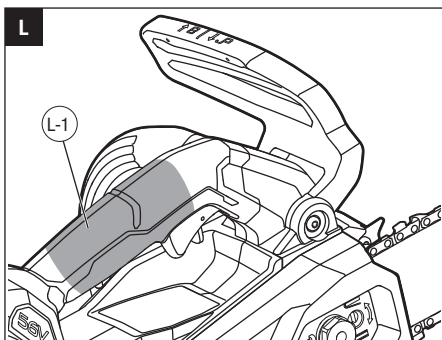
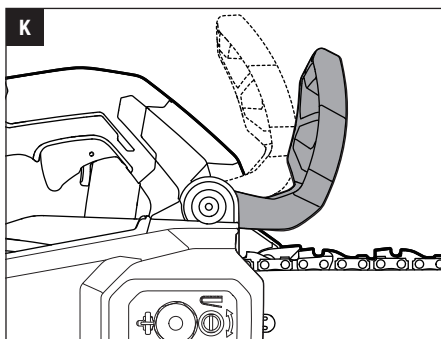
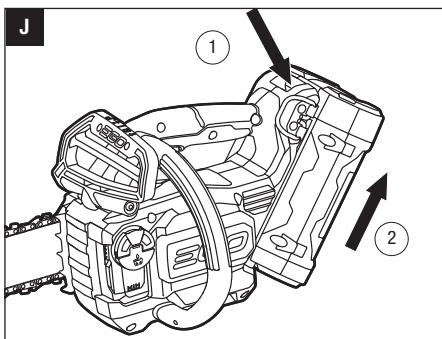
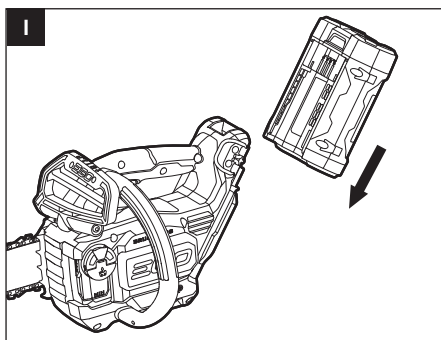
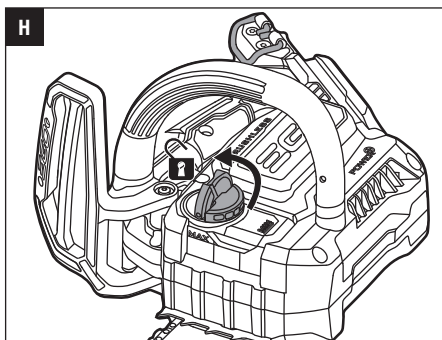
CH2100E,
CH3200E,
CH5500E,
CH7000E,
CH7000E-T

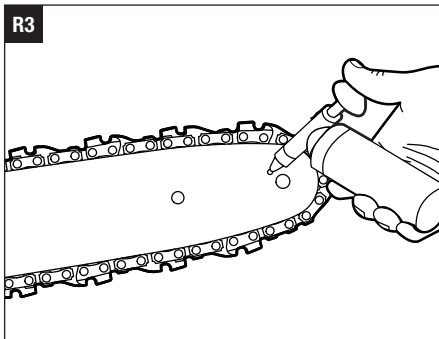
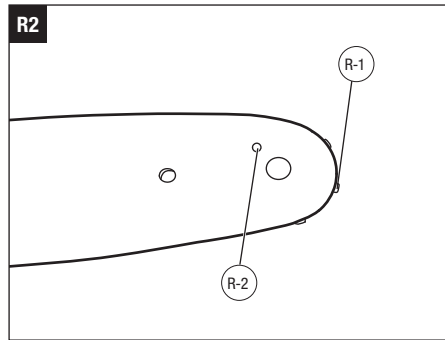
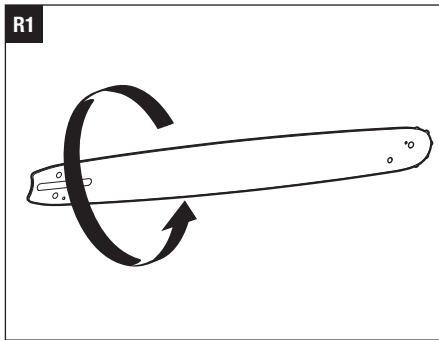
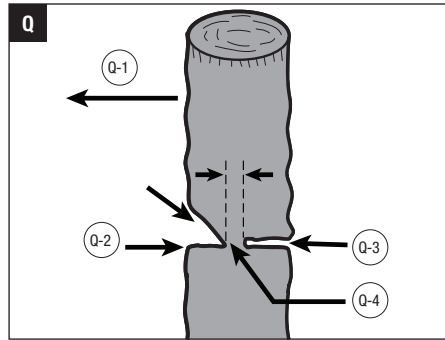
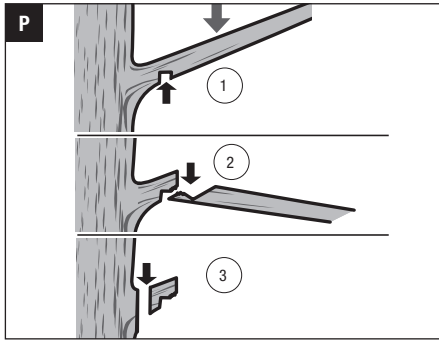


B









EN READ ALL INSTRUCTIONS!



READ OPERATOR'S MANUAL

⚠ WARNING: To ensure safety and reliability, all repairs should be performed by a qualified service technician.

⚠ WARNING: Be sure to read and understand all safety instructions in this Operator's Manual, including all safety alert symbols such as "DANGER", "WARNING", and "CAUTION" before using this tool. Failure to follow all instructions listed below may result in electric shock, fire, and/or serious personal injury.

SAVE ALL WARNINGS AND INSTRUCTIONS FOR FUTURE REFERENCE.

SAFETY SYMBOLS

⚠ WARNING: The operation of any machine can result in foreign objects being thrown into your eyes, which can result in severe eye damage. Before beginning power tool operation, always wear safety goggles or safety glasses with side shields and a full face shield when needed. We recommend a Wide Vision Safety Mask for use over eyeglasses or standard safety glasses with side shields.



Safety Alert



Wear Eye Protection



Wear Head Protection



Guide bar tip kickback



Beware of chain saw kickback and avoid contact with bar tip



Guaranteed sound power level. Noise emission to the environment according to the European community's Directive.



This product is in accordance with applicable EC directives.



Direct Current

mm Millimeter

V Voltage



To reduce the risk of injury, user must read and understand operator's manual before using this product.



Wear Ear Protection



Wear Protective Gloves



Always use chain saw two-handed



The information of guide bar



Waste electrical products should not be disposed of with household waste. Take to an authorized recycler.



This product is in accordance with applicable UK legislation.

IPX4 Protection From Splashing Water

n_0 No Load Speed

./min Per Minute

SPECIFICATIONS

Rated Voltage	56V	
Max. Chain Speed	20 m/s	
Chain Pitch	1/4" (6.4 mm)	
Chain Gauge	1.1mm	
Guide Bar Length	300 mm	
Saw Chain Model	AC1204Q (Recommended)	
	AC1000Q (Compatible)	
Guide Bar Model	AG1000Q (Compatible)	
Saw Chain & Bar Kit Model	AK1204Q (Recommended)	
Chain Oil Tank Capacity	150 ml	
Weight (without battery pack, saw chain, guide bar, side cover, oil and chain sheath)	1.9 kg	
Recommended Operating Temperature	-15°C-40°C	
Recommended Storage Temperature	-20°C-70°C	
Recommended Charging Temperature	5°C-40°C	
Measured sound power level L_{WA}	97 dB(A)	
	K=3.6 dB(A)	
Sound pressure level at working position L_{PA}	89 dB(A)	
	K=3 dB(A)	
Guaranteed sound power level L_{WA} (according to 2000/14/EC)	101 dB(A)	
Vibration a_h	Front handle	2.64 m/s ² K=1.5 m/s ²
	Rear handle	2.05 m/s ² K=1.5 m/s ²

- The declared vibration total value has been measured in accordance with a standard test method and may be used for comparing one tool with another;
- The declared vibration total value may also be used in a preliminary assessment of exposure.

NOTICE: The vibration emission during actual use of the power tool can differ from the declared value in which the tool is used; In order to protect the operator, user should wear gloves and ear protectors in the actual conditions of use.

PACKING LIST (FIG.A1)

DESCRIPTION

KNOW YOUR CHAIN SAW (Fig. A1)

1. Guide Bar
2. Saw Chain
3. Chain-kickback Brake Paddle
4. Rear Handle
5. Front Handle
6. Oil-inspection Window
7. Oil Tank Cap
8. Locking Tongue
9. Trigger Switch
10. Battery-release Button
11. Side Cover
12. Bar Nut
13. Tensioning Screw
14. Lubricating Hole
15. Chain Sheath
16. Lanyard Hanger
17. Combi-wrench

ASSEMBLY

ASSEMBLING/REPLACING THE BAR AND CHAIN

⚠ WARNING: Before performing any assembling or maintenance, make sure that the battery pack is removed. Failure to heed this warning could result in serious personal injury.

⚠ WARNING: Adjust the chain-kickback brake paddle in the braking position before assembly.

⚠ WARNING: Always wear gloves when handling the bar and chain; these components are sharp and may contain burrs.

1. Position the chain saw power head on its side with the side cover facing upwards (Fig. B).
2. Remove the side cover by turning the bar nut counterclockwise.
3. Turn the tensioning screw counterclockwise to loosen the chain tension.
4. Lay the saw chain in a loop on a flat surface and straighten any kinks (Fig. C).

- Place the chain drive links into the guide bar groove and make the chain a loop at the back of the guide bar (Fig. D).
- Hold the chain in position on the guide bar and place the loop around the sprocket of the saw (Fig. E1).

D-1	Chain Drive Link	E-2	Alignment Flanges
D-2	Guide Bar Groove	E-3	Tensioning Pin
E-1	Drive Sprocket	E-4	Fastening Bolt

NOTICE: When looping the saw chain onto the guide bar, make sure that, after mounting the guide bar onto the saw, the cutter orientation matches the cutter icon and rotation direction arrow on the housing of the saw (Fig. E1). If they face in opposite directions, reassemble the saw chain onto the guide bar with the cutters facing the same direction (Fig. E2).

- Place the guide bar on the mounting surface by sliding the guide-bar slot over the alignment flanges. Make sure that the guide bar is correctly positioned over the fastening bolt and tensioning pin.
- Replace the side cover onto the chain saw housing (Fig. E3) and fully tighten the bar nut.

NOTICE: During assembly and maintenance, the metal plate underneath the guide bar (Fig. F) may pop up. If this happens, clean the gap between this metal piece and the housing thoroughly and push the metal plate back so it is **flush against the housing**. Failure to clean and properly place the metal plate will cause the guide bar misalignment.

- Rotate the chain by hand to check whether the chain is properly assembled without binding. Otherwise, reassemble the chain and bar.

NOTICE: To extend the guide bar life, invert the bar occasionally.

ADJUSTING THE CHAIN TENSION

- Stop the motor and remove the battery pack before adjusting the chain tension. Turn the tensioning screw clockwise or counterclockwise to adjust chain tension (Fig. F) until the chain seats snugly against the guide bar with the drive links in the guide bar groove.
- A cold chain is correctly tensioned when there is no slack on the underside of the guide bar and the chain is snug, but it can be turned by hand without binding. The chain must be re-tensioned whenever the flats on the drive links do not sit in the bar groove.
- During normal saw operation, the temperature the

chain will increase. The drive links of a correctly tensioned warm chain will hang approximately 1-2 mm out of the bar groove (Fig. G).

NOTICE: New chains tend to stretch; check chain tension frequently and tension as required.

NOTICE: A chain tensioned while it is warm may be too tight upon cooling. Check the cold tension before next use.

OPERATION

⚠ WARNING: Do not allow familiarity with this product to make you careless. Remember that a careless fraction of a second is sufficient to inflict serious injury.

⚠ WARNING: Do not use any attachments or accessories not recommended by the manufacturer of this product. The use of attachments or accessories not recommended can result in serious personal injury.

⚠ WARNING: To prevent accidental starting that could cause serious personal injury, always remove the battery pack from the tool when assembling parts, making adjustments, cleaning, or when not in use.

Before each use, inspect the entire product for damaged, missing, or loose parts, such as screws, nuts, bolts, caps, etc. Securely tighten all fasteners and caps and do not operate this product until all missing or damaged parts are replaced.

APPLICATIONS

You may use this product for basic in-tree cutting applications.

⚠ WARNING: Do not operate this chain saw in a tree unless you have been specifically trained to do so. Operation of a chain saw in a tree without proper training could increase the risk of serious personal injury.

NOTICE: The machine is to be used only for its prescribed purposes. Any other use is deemed to be a case of misuse.

FILLING BAR AND CHAIN LUBRICANT

⚠ WARNING: Do not smoke or bring any fire or flame near the oil or the chain saw. Oil may spill and cause a fire.

NOTICE: The chain saw is not filled with oil at the time of purchase. It is essential to fill the tank with oil before use. The chain is automatically lubricated with chain oil during operation, if there is sufficient oil in the oil tank.

1. Position the chain saw on its side with the tank cap facing upwards.
2. Clean the oil tank cap and the area around it to ensure that no dirt falls into the oil tank.
3. Lift up the semicircular plate and rotate the oil tank cap counterclockwise to remove it (Fig. H).
4. Carefully pour the bar and chain oil into the tank. Fill to the bottom of the fill neck.
5. Wipe off any excessive oil and replace the cap.

NOTICE: Check the oil level frequently and fill when the oil level falls below the minimum line. Never operate the chain saw if the oil is not visible.

USING THE LANYARD EYELET (Fig. H)

⚠ WARNING: Always cover the saw chain and guide bar with chain sheath when hanging the chain saw on a tool belt. Saw chain is sharp and may cause serious injuries.

⚠ WARNING: Make sure the lanyard is sufficiently strong to support the combined weight of the chain saw and the battery pack. Serious injuries and property damage could result if the chain saw falls.

ATTACHING/DETACHING THE BATTERY PACK

Use only with EGO's battery packs and chargers listed in Fig. A2.

Fully charge before first use.

To Attach

Align the battery ribs with the mounting slots and press the battery pack down until you hear a "click" (Fig. I).

To Detach

Depress the battery-release button and pull the battery pack out (Fig. J).

⚠ WARNING: To keep comfortable balance during cutting, please use only with the battery pack BA1400/BA1400T.

STARTING/STOPPING THE CHAIN SAW

NOTICE: Before starting the chain saw, check for the oil level, chain tension, saw teeth sharpness and properly working kickback brake paddle. Besides, balanced footing and proper distance away from the ground are needed.

To Start (Fig. K)

1. Pull the chain-kickback brake paddle towards the front handle to the operating position (Fig. K).
2. Firmly grasp the front handle with the **left** hand and the rear handle with the **right** hand.

⚠ WARNING: To avoid injury, always use the chain saw with the right hand grasping the gripping area of the rear handle (Fig. L).

3. Move the locking tongue forward and then press the trigger switch to start the saw (Fig. L).

L-1	Gripping Area
-----	---------------

4. Release the locking tongue and continue to squeeze the trigger switch for continued operation.
5. The further the trigger switch is depressed, the greater the chain speed. Adjust the speed to suit the task at hand.

⚠ WARNING: Do not attempt to start the saw when the saw chain is in a cut.

To Stop

1. Move the chain saw away from cutting area, and then release the trigger switch to stop the chain saw.
2. Push the chain-kickback brake paddle forward to the brake position to engage the chain brake (Fig. K).

⚠ WARNING: Always remove the battery pack from the machine during work breaks and after finishing work.

PROPER GRIP ON HANDLES (FIG. M)

- Wear non-slip gloves for maximum grip and protection.
- With the saw on a firm, flat surface, hold the saw firmly with both hands.
- Always grasp the front handle with the left hand and the rear handle with the right hand.
- The fingers should encircle the handle, with the thumb wrapped under the front handle.

⚠ WARNING: Never use a left-handed (cross-handed) grip, or any stance which would place your body or arm across the chain line.

⚠ WARNING: Do not operate the trigger switch with your left hand and hold the front handle with your right hand. Never allow any part of your body to be in the chain line while operating a chain saw (Fig. N).

PROPER CUTTING STANCE (FIG. O)

- Both feet should be on solid ground, with weight evenly spread between them.

- The left arm should be straight, with the elbow locked. This helps to withstand the forces generated by kickback.
- Your body should always be to the left of the chain line.

COMMON CUTTING TECHNIQUES

⚠ WARNING: Always be sure of your footing and hold the chain saw firmly with both hands while the motor is running.

⚠ WARNING: When the saw chain is stopped due to pinching during cutting, release the trigger switch; remove the saw chain and guide bar from the wood, then restart the chain saw.

⚠ WARNING: Do not pull the saw chain with hand when it is bound by the sawdust. Serious injury could result if the chain saw starts accidentally. Press the saw chain against the wood, move the chain saw back and forth to discharge the debris. Always remove the battery pack before cleaning. Wear heavy protective gloves when handling the saw chain.

⚠ WARNING: Never start the chain saw when it is in contact with the wood. Always allow the chain saw reach full speed before applying the saw to the wood.

⚠ WARNING: This top-handle chain saw is not intended to be used on the ground, therefore this manual does not contain instructions for felling trees, limbing and bucking trees.

⚠ WARNING: These in-tree instructions apply to this top-handle chain saw, designed exclusively for in-tree cutting applications by certified tree service professionals specifically trained to do so.

⚠ WARNING: Blocking can result in injury. It should only be performed by a trained person.

⚠ WARNING: First time users should practice cutting logs on a saw horse or log cradle.

⚠ WARNING: Do not work in trees with high wind conditions.

⚠ WARNING: Ensure all bystanders are clear of the fall area before starting operation.

⚠ WARNING: Always keep yourself and your equipment clear of the material being removed.

⚠ CAUTION: Be sure battery is fully charged before working in a tree.

Pruning (Fig. P)

Follow the steps below to prevent damage to tree or

shrub bark. Do not use a back-and-forth sawing motion.

1. Make a shallow first cut (1/3 of the limb diameter) on the underside of the limb, close to the main limb or trunk.
2. Make a second cut from the top side of the limb, outboard from the first cut. Continue the cut through the limb until the limb separates from the tree. Be prepared to balance the weight of the tool, and ensure you are clear of it before completing the cut.
3. Make a final cut close to trunk.

Blocking

Before blocking, remove loose bark, nails, staples, and wire from the tree where the blocking cuts are to be made.

Notching undercut

Make the notch 1/4 the diameter of the tree, perpendicular to the direction of falls as Fig. Q shown. Make the lower horizontal notching cut first. This will help to avoid pinching either the saw chain or the guide bar when the second notch is being made.

Q-1	Direction of Fall	Q-3	Back Cut
Q-2	Notch	Q-4	Hinge

Back cut

- Make the back cut the same height as the horizontal notching cut as Fig. Q shown. Keep the back cut parallel to the horizontal notching cut. Make the back cut so enough wood is left to act as a hinge. The hinge wood keeps the tree from twisting and falling in the wrong direction. Do not cut through the hinge.
- As the back cut gets close to the hinge, the tree should begin to fall. If there is any chance that the tree may not fall in desired direction or it may rock back and bind the saw chain, stop cutting before the back cut is complete and use wedges of wood, plastic or aluminium to open the cut and drop the tree along the desired line of fall.
- When the tree block begins to fall remove the chain saw from the cut, stop the motor, and activate the chain brake. Be alert for overhead limbs falling and watch your footing.

MAINTENANCE

⚠ WARNING: When servicing, use only identical replacement parts. Use of any other parts may create a hazard or cause product damage. To ensure safety and reliability, all repairs should be performed by a qualified service technician.

⚠ WARNING: To avoid serious personal injury, always remove the battery pack from the product before inspecting, cleaning, or performing maintenance. A battery operated tool with the battery pack inserted is always on and can start accidentally.

⚠ WARNING: When cleaning the chain saw, DO NOT immerse it in water or other liquids.

⚠ WARNING: Do not at any time let brake fluids, petrol, petroleum-based products, penetrating oils, etc., come in contact with plastic parts. Chemicals can damage, weaken, or destroy plastic, which may result in serious personal injury.

CLEANING

- After each use, clean debris from the chain and guide bar with a soft brush. Wipe the chain saw surface with a clean cloth moistened with a mild soap solution.
- Remove the side cover, and then use a soft brush to remove debris from the guide bar, saw chain, sprocket and side cover.
- Always clean out wood chips, saw dust, and dirt from the guide bar groove when replacing the saw chain.

GUIDE BAR MAINTENANCE

When the guide bar shows signs of wear, disassemble it from the chain saw power head and reverse it for reassembly (Fig. R1). This way the wear will be distributed to maximize the guide bar life.

The bar should be cleaned every day of use and checked for wear and damage. Feathering or burring of the bar rails is a normal process of bar wear. Such faults should be smoothed with a file as soon as they occur. A bar with any of the following faults should be replaced.

- Wear inside the bar rails which permits the chain to lay over sideways.
- Bent guide bar.
- Cracked or broken rails.
- Spread rails.

In addition, the guide bar has a sprocket at its tip (Fig. R2). The sprocket must be lubricated weekly with a

grease syringe to extend the guide bar life. Use a grease syringe to lubricate weekly with chain oil by means of the lubricating hole (Fig. R3). Turn the guide bar and check that the lubrication holes and chain groove are free from impurities.

R-1	Sprocket in Guide Bar Tip
R-2	Lubricating Hole

TRANSPORTING AND STORING

- Do not store or transport the chain saw when it is running. Always remove the battery pack before storing or transporting.
- Always place the chain sheath on the guide bar and chain before storing or transporting the chain saw. Use caution to avoid the sharp teeth of the chain.
- Always carry the product by its front handle.
- Protect the product from any heavy impact or strong vibrations which may occur during transportation in vehicles.
- Clean the chain saw thoroughly and empty the oil tank before storing. Store the chain saw indoors, in a dry place that is locked and/or inaccessible to children.
- Keep away from corrosive agents such as garden chemicals and de-icing salts.

PROTECTING THE ENVIRONMENT



Do not dispose of electrical equipment, used battery and charger into household waste!

Take this product to an authorized recycler and make it available for separate collection. Electric tools must be returned to an environmentally compatible recycling facility.

EN TROUBLESHOOTING

⚠ WARNING: Always protect your hands by wearing heavy gloves when performing any maintenance on the saw chain. Always remove the battery pack when servicing or transporting the chain saw.

PROBLEM	CAUSE	SOLUTION
Motor does not run.	<ul style="list-style-type: none"> ■ The battery pack is not attached to the chain saw. ■ No electrical contact between the saw and battery pack. ■ The battery pack charge is depleted. ■ The battery pack or chain saw is too hot. ■ The locking tongue is not depressed before pressing the trigger switch. ■ Chain brake is engaged. ■ Saw chain is bound in the wood. ■ Debris in bar groove. ■ Debris in side cover. ■ A 4.0Ah or higher Ah battery pack is used. 	<ul style="list-style-type: none"> ■ Attach the battery pack to the chain saw. ■ Remove battery pack, check contacts and reinstall the battery pack. ■ Charge the battery pack. ■ Allow the battery pack or chain saw to cool until the temperature drops to the recommended operating temperature range. ■ Press down the locking tongue and hold it, then depress the trigger switch to turn on the chain saw. ■ Pull the chain-kickback brake paddle backward toward the front handle, to the operating position. ■ Release the trigger switch; remove the saw chain and guide bar from the wood, then restart the chain saw. ■ Press the saw chain against the wood, move the chain saw back and forth to discharge the debris. ■ Remove battery pack, then remove side cover and clean out debris. ■ Use only with EGO 2.5 Ah battery packs BA1400 and BA1400T.
Chain saw stops unexpectedly during operation.	<ul style="list-style-type: none"> ■ The chain saw is overloaded. ■ The battery pack or chain saw is too hot. ■ Saw chain is bound in the wood. 	<ul style="list-style-type: none"> ■ Decrease the load. ■ Allow the battery pack or chain saw to cool until the temperature drops to the recommended operating temperature range. ■ Release the trigger switch; remove the saw chain and guide bar from the wood, then restart the chain saw.
Motor runs, but chain does not rotate.	<ul style="list-style-type: none"> ■ Chain does not engage drive sprocket. 	<ul style="list-style-type: none"> ■ Remove the battery pack and reinstall the chain, making sure that the drive links on the chain are fully seated on the sprocket.
Chain brake does not engage.	<ul style="list-style-type: none"> ■ Debris preventing full movement of the chain-kickback brake paddle. ■ Possible chain brake malfunction. 	<ul style="list-style-type: none"> ■ Clean debris from the external chain brake mechanism. ■ Stop using the chain saw immediately! Contact EGO Customer Service for repair.

PROBLEM	CAUSE	SOLUTION
Chain saw does not cut properly.	<ul style="list-style-type: none"> ■ Insufficient chain tension. ■ Dull chain. ■ Chain installed backwards. ■ Worn chain. ■ Dry or excessively stretched chain. ■ Chain not in bar groove. 	<ul style="list-style-type: none"> ■ Readjust the chain tension, following the section: “ADJUSTING THE CHAIN TENSION”. ■ Sharpen the chain. ■ Reinstall the saw chain, following the section “ASSEMBLING/REPLACING THE BAR AND CHAIN”. ■ Replace the chain, following the section: “ASSEMBLING/REPLACING THE BAR AND CHAIN”. ■ Check the oil level. Refill the oil tank if necessary. ■ Reinstall the saw chain, following the section: “ASSEMBLING/REPLACING THE BAR AND CHAIN”.
Chain becomes loose or drops off the guide bar during normal use.	<ul style="list-style-type: none"> ■ The chain will become loose as the temperature of the chain increases during normal saw operation. ■ Chain does not engage drive sprocket. 	<ul style="list-style-type: none"> ■ Tighten the chain tension, following the section “ADJUSTING THE CHAIN TENSION”. ■ Reinstall the saw chain, following the section: “ASSEMBLING/REPLACING THE BAR AND CHAIN”.
Bar and chain running hot and smoking.	<ul style="list-style-type: none"> ■ Check chain tension for over-tightened condition. ■ Chain oil tank is empty. ■ Debris in guide bar groove. 	<ul style="list-style-type: none"> ■ Re-tension the saw chain following the section “ADJUSTING THE CHAIN TENSION”. ■ Fill the tank with bar and chain lubricant. ■ Press the saw chain against the wood, move the chain saw back and forth to discharge the debris.

WARRANTY

EGO WARRANTY POLICY

Please visit the website egopowerplus.eu for full terms and conditions of the EGO Warranty policy.

LESEN SIE ALLE ANWEISUNGEN!

DE



LESEN SIE DIE BETRIEBSANLEITUNG

⚠️ WARNUNG: Um die Sicherheit und Zuverlässigkeit zu gewährleisten, sollten alle Reparaturen nur von qualifizierten Servicetechnikern durchgeführt werden.

⚠️ WARNUNG: Vor der Benutzung der Maschine sollten Sie alle Sicherheitsanweisungen in dieser Bedienungsanleitung gelesen und verstanden haben. Das gilt auch für die Sicherheits- und Gefahrenzeichen wie „VORSICHT“, „WARNUNG“ und „ACHTUNG“. Die Nichtbeachtung der aufgeführten Hinweise kann zu Stromschlägen, Bränden und/oder schweren Verletzungen führen.

BEWAHREN SIE ALLE WARNHINWEISE UND BEDIENUNGSANWEISUNGEN FÜR NACHSCHLAGEZWECKE AUF.

WARNSYMBOLLE

⚠️ WARNUNG: Beim Betrieb einer Maschinen besteht die Gefahr, dass Fremdkörper in Ihre Augen geschleudert werden und Sie dadurch schwerwiegende Augenschäden davontragen. Tragen Sie immer eine Schutzbrille, wenn möglich mit Seitenschutz oder, falls nötig, einen vollen Gesichtsschutz, bevor Sie Arbeiten mit dem Elektrowerkzeug verrichten. Wir empfehlen Ihnen, einen Gesichtsschutz über Ihrer eigenen Brille oder eine herkömmliche Schutzbrille mit Seitenschutz zu tragen.



Sicherheitshinweis



Augenschutz tragen



Tragen Sie einen Kopfschutz



Rückstoß von Schienenspitze



Vorsicht vor dem Rückstoß der Kettensäge und den Kontakt mit der Schienenspitze vermeiden.



Garantierter Schalleistungspegel. Geräuschemission an die Umgebung gemäß Richtlinie der Europäischen Gemeinschaft.



Dieses Produkt erfüllt die einschlägigen CE-Richtlinien.



Gleichstrom

mm Millimeter
V Spannung



Um das Verletzungsrisiko zu verringern, muss der Benutzer die Bedienungsanleitung vor der Benutzung des Gerätes gelesen und verstanden haben.



Gehörschutz tragen



Schutzhandschuhe tragen



Kettensäge immer beidhändig führen



Angaben zur Führungsschiene



Elektrische Altgeräte dürfen nicht im Hausmüll entsorgt werden. Bringen Sie das Gerät zu einem Wertstoffhof bzw. zu einer amtlichen Sammelstelle.



Dieses Produkt erfüllt die einschlägigen Vorschriften in GB.

IPX4 Schutz vor Spritzwasser

n_0 Leerlaufdrehzahl
/min pro Minute

TECHNISCHE DATEN

Nennspannung	56 V
Max. Kettengeschwindigkeit	20 m/s
Kettenteilung	1/4 Zoll (6,4 mm)
Kettengliedlänge	1,1 mm
Länge der Führungsschiene	300 mm
Sägekettenmodell	AC1204Q (empfohlen)
	AC1000Q (kompatibel)
Führungsschienenmodell	AG1000Q (kompatibel)
Modell des Sägeketten- und Schienensets	AK1204Q (empfohlen)
Volumen Kettenöltank	150 ml
Gewicht (ohne Akkupack, Sägekette, Führungsschiene, Seitenabdeckung, Öl und Kettenhülle)	1,9 kg
Empfohlene Betriebstemperatur	-15°C - 40°C
Empfohlene Lagertemperatur	-20°C - 70°C
Empfohlene Ladetemperatur	5°C - 40°C
Gemessener Schalleistungspegel L_{WA}	97 dB(A) K=3,6 dB(A)
Schalldruckpegel in Arbeitsposition L_{PA}	89 dB(A) K=3 dB(A)
Garantierter Schalleistungspegel L_{WA} (nach 2000/14/EG)	101 dB(A)
Vibration a_{ih}	Vorderer Griff 2,64 m/s ² K=1,5 m/s ²
	Hinterer Griff 2,05 m/s ² K=1,5 m/s ²

- Der angegebene Vibrationsgesamtwert wurde nach einem Standard-Prüfverfahren gemessen und kann zum Vergleich mit einem anderen Werkzeug herangezogen werden.
- Der angegebene Vibrationsgesamtwert kann auch zur vorläufigen Risikobewertung herangezogen werden.

HINWEIS: Die beim Einsatz des Elektrowerkzeugs entstehenden Istvibrationen können von dem angegebenen Wert abweichen. Zum Schutz des Benutzers sollten Handschuhe und ein Gehörschutz während des Geräteinsatzes getragen werden.

PACKLISTE (ABB. A1)

BESCHREIBUNG

AUFBAU (Abb. A1)

- Führungsschiene
- Sägekette
- Kettenbremshebel
- Hinterer Griffbügel
- Vordergriff
- Ölsichtfenster
- Öltankverschluss
- Sicherheitsverriegelung
- Auslöseschalter
- Akkuentriegelung
- Seitenabdeckung
- Schienenmutter
- Kettenspannschraube
- Schmierloch
- Kettenschutzhülle
- Halteband-Befestigung
- Kombischlüssel

MONTAGE

MONTIEREN/AUSWECHSELN DER SCHIENE UND DER KETTE

⚠️ WARNUNG: Stellen Sie sicher, dass der Akkusatz entfernt wurde, bevor Sie Teile montieren oder Wartungsarbeiten durchführen. Eine Missachtung dieses Warnhinweises kann zu schweren Verletzungen führen.

⚠️ WARNUNG: Stellen Sie den Kettenbremshebel vor der Montage in die Bremsstellung.

⚠️ WARNUNG: Tragen Sie stets Handschuhe, wenn Sie die Führungsschiene oder die Kette anfassen; diese Teile sind sehr scharf und mit Grat oder Spänen versehen.

- Legen Sie den Antriebskopf der Kettensäge auf die Seite. Die Seitenabdeckung sollte dabei nach oben zeigen (Abb. B).
- Entfernen Sie die Seitenabdeckung, indem Sie die Schienenmutter gegen den Uhrzeigersinn drehen.
- Drehen Sie die Spannschraube gegen den Uhrzeigersinn, um die Kettenspannung zu lockern.

- Legen Sie die neue Sägekette in einer Schlaufe auf einer ebenen Fläche aus und beseitigen Sie etwaige Knicke (Abb. C).
- Legen Sie die Kettenglieder in die Nut der Führungsschiene ein und verlegen Sie die Kette hinten an der Führungsschiene wieder zurück zur Schienenspitze (Abb. D).
- Halten Sie die Kette auf der Führungsschiene fest und legen Sie sie um das Zahnrad der Säge (Abb. E1).

D-1	Kettenglied	E-2	Ausrichtungsfllansche
D-2	Nut der Führungsschiene	E-3	Spannstift
E-1	Antriebsritzfel	E-4	Befestigungsschraube

HINWEIS: Wenn Sie die Sägekette auf die Führungsschiene aufziehen, achten Sie darauf, dass nach der Montage der Führungsschiene an der Säge, die Sägezahnausrichtung, das Sägezahnsymbol und der Drehrichtungspfeil am Gehäuse der Säge übereinstimmen (Abb. E1). Wenn sie in entgegengesetzte Richtungen weisen, bringen Sie die Sägekette erneut auf der Führungsschiene an, wobei die Sägezähne in die gleiche Richtung zeigen (Abb. E2).

- Setzen Sie die Führungsschiene auf die Montagefläche, indem Sie den Führungsschienenenschlitz über die Ausrichtungsfllansche schieben. Vergewissern Sie sich, dass die Führungsschiene korrekt über der Befestigungsschraube und dem Spannstift sitzt.
- Bringen Sie die Seitenabdeckung wieder am Kettensägegehäuse (Abb. E3) an und ziehen Sie die Schienenmutter fest.

HINWEIS: Bei der Montage und Wartung kann es vorkommen, dass die Metallplatte unter der Führungsschiene (Abb. F) aufspringt. Reinigen Sie in diesem Fall den Spalt zwischen diesem Metallteil und dem Gehäuse gründlich und schieben Sie die Metallplatte zurück, sodass sie **mit dem Gehäuse fluchtet**. Wenn die Metallplatte nicht gereinigt und nicht richtig platziert wird, führt dies zu einer Fehlausrichtung der Führungsschiene.

- Drehen Sie die Kette von Hand, um zu prüfen, ob die Kette richtig montiert ist, ohne zu klemmen. Andernfalls muss die Kette erneut über die Schiene verlegt werden.

HINWEIS: Um die Lebensdauer der Führungsschiene zu verlängern, drehen Sie die Schiene gelegentlich um.

EINSTELLEN DER KETTENSPIGUNG

- Stellen Sie den Motor ab und entfernen Sie den Akku, bevor Sie die Kettenspannung einstellen. Drehen Sie die Spannschraube im oder gegen den Uhrzeigersinn, um die Kettenspannung einzustellen (Abb. F), bis die Kette eng an der Führungsschiene anliegt und die Kettenglieder in der Führungsschienenut liegen.
- Eine kalte Kette ist korrekt gespannt, wenn kein Spiel an der Unterseite der Führungsschiene vorhanden ist und die Kette anliegt, sich jedoch manuell drehen lässt, ohne stecken zu bleiben. Die Kette muss immer neu gespannt werden, wenn die Abflachungen an den Antriebsgliedern nicht in der Nut der Schiene sitzen.
- Während des normalen Sägebetriebs erhöht sich die Temperatur der Kette. Bei einer korrekten erwärmten Kette hängen die Kettenglieder etwa 1-2 mm aus der Nut der Schiene heraus (Abb. G).

HINWEIS: Neue Ketten neigen dazu sich zu dehnen. Prüfen Sie deshalb die Kettenspannung regelmäßig und spannen Sie nach Bedarf nach.

HINWEIS: Eine Kette, die im warmen Zustand gespannt wurde, ist im erkalteten Zustand möglicherweise zu straff gespannt. Prüfen Sie vor dem nächsten Gebrauch die Spannung der kalten Kette.

BETRIEB

⚠️ WARNUNG: Auch wenn Sie sich mit dem Gerät auskennen, sollten Sie sich nicht zu einer gewissen Nachlässigkeit verleiten lassen. Denken Sie daran, dass ein kurzer Moment der Unachtsamkeit zu ernsthaften Verletzungen führen kann.

⚠️ WARNUNG: Verwenden Sie keine Anbauwerkzeuge oder Zubehörteile, die nicht vom Hersteller dieses Produkts empfohlen worden sind. Der Gebrauch von nicht empfohlenen Anbauwerkzeugen oder Zubehör kann zu schweren Verletzungen führen.

⚠️ WARNUNG: Um einen unbeabsichtigten Geräteanlauf bei der Montage von Teilen, bei Einstellarbeiten, beim Reinigen oder bei Nichtgebrauch zu verhindern, muss der Akku vom Gerät abgenommen werden. Andernfalls besteht schwere Verletzungsgefahr.

Inspizieren Sie das gesamte Produkt vor jeder Benutzung auf beschädigte, fehlende oder lockere Teile, wie z. B. Schrauben, Muttern, Stifte, Kappen usw. Alle Befestigungsmittel und Kappen festziehen und das Gerät erst betätigen, wenn alle beschädigten oder fehlenden

Teile ersetzt wurden.

ANWENDUNGEN

Sie können dieses Produkt für einfache Schneidarbeiten im Baum verwenden.

⚠️ WARNUNG: Betreiben Sie diese Kettensäge nicht in einem Baum; es sei denn, Sie wurden speziell dafür geschult. Der Betrieb einer Kettensäge in einem Baum ohne entsprechende Schulung kann das Risiko schwerer Verletzungen erhöhen.

HINWEIS: Das Gerät darf nur für die vorgeschriebenen Zwecke verwendet werden. Jede andere Verwendung gilt als Zweckentfremdung.

EINFÜLLEN VON SCHIENEN- UND KETTEN-SCHMIERSTOFF

⚠️ WARNUNG: Rauchen Sie nicht und halten Sie Feuer oder Flammen vom Öl und der Kettensäge fern. Das Öl kann auslaufen und einen Brand verursachen.

HINWEIS: Beim Kauf ist die Kettensäge nicht mit Öl befüllt. Vor dem Gebrauch muss der Tank mit Öl befüllt werden. Die Kette wird während des Betriebs automatisch mit Kettenöl geschmiert, wenn ausreichend Öl im Öltank vorhanden ist.

1. Legen Sie die Kettensäge auf die Seite. Der Tankverschluss sollte dabei nach oben zeigen.
2. Säubern Sie den Öltankverschluss und den Bereich um den Verschluss, um sicherzustellen, dass kein Schmutz in den Öltank gelangen kann.
3. Heben Sie die halbrunde Platte an und schrauben Sie den Öltankverschluss entgegen dem Uhrzeigersinn ab (Abb. H).
4. Gießen Sie vorsichtig das Schienen- und Kettenöl in den Tank. Füllen Sie bis zur Unterseite des Einfüllstutzens Öl nach.
5. Wischen Sie die Ölrreste ab und bringen Sie den Deckel wieder an.

HINWEIS: Überprüfen Sie den Ölstand häufig und füllen Sie nach, wenn der Ölstand unter die Mindestmarkierung sinkt. Nehmen Sie die Kettensäge niemals in Betrieb, wenn kein Öl sichtbar ist.

VERWENDUNG DER HALTEBAND-ÖSE (Abb. H)

⚠️ WARNUNG: Decken Sie die Sägekette und die Führungsschiene immer mit der Kettenschutzhülle ab, wenn Sie die Kettensäge an einem Werkzeuggürtel aufhängen. Die Sägekette ist scharf und kann schwere

Verletzungen verursachen.

⚠️ WARNUNG: Stellen Sie sicher, dass das Halteband stark genug ist, um das Gesamtgewicht der Kettensäge und des Akkus zu tragen. Schwere Verletzungen und Sachschäden können die Folge sein, wenn die Kettensäge herunterfällt.

ANBRINGEN/ABNEHMEN DES AKKUS

Nur die in Abb. A2 aufgeführten EGO Akkus und Ladegeräte verwenden.

Vor dem ersten Gebrauch voll aufladen.

Anbringen

Lassen Sie die Rippen am Akkugehäuse mit den Öffnungen am Gerät fluchten und schieben Sie den Akku bis zum hörbaren Einrasten in das Gerät (Abb. I).

Abnehmen

Drücken Sie den Akku-Freigabeknopf und ziehen Sie den Akku heraus (Abb. J).

⚠️ WARNUNG: Um während des Schneidens bequem das Gleichgewicht halten zu können, verwenden Sie das Produkt bitte nur mit dem Akkupack BA1400/BA1400T.

STARTEN/STOPPEN DER KETTENSÄGE

HINWEIS: Vor dem Einschalten der Kettensäge müssen Sie den Ölstand, die Kettenspannung, die Sägezahnschärfe und die korrekte Funktion des Kettenbremshebels überprüfen. Darüber hinaus sind ein fester Stand und ein sicherer Abstand zum Boden wichtig.

Starten (Abb. K)

1. Stellen Sie den Kettenbremshebel in Richtung des vorderen Griffs auf Betriebsstellung (Abb. K).
2. Greifen Sie den vorderen Griff fest mit der **linken** Hand und den hinteren Griff mit der **rechten** Hand.

⚠️ WARNUNG: Um Verletzungen zu vermeiden, benutzen Sie die Kettensäge immer mit der rechten Hand am Griffbereich des hinteren Griffs (Abb. L).

3. Bewegen Sie die Sicherheitsverriegelung nach vorne und drücken Sie dann den Auslöseschalter, um die Säge zu starten (Abb. L).

L-1	Griffbereich
-----	--------------

4. Lassen Sie für einen kontinuierlichen Betrieb die Sicherheitsverriegelung los und halten Sie den Auslöseschalter weiter gedrückt.
5. Je weiter der Auslöseschalter gedrückt wird, desto

höher ist die Kettengeschwindigkeit. Die Gebläsestufe sollte für die auszuführenden Arbeiten geeignet sein.

⚠️ WARNUNG: Versuchen Sie nicht, die Säge zu starten, wenn sich die Sägekette in einem Schnitt befindet.

Stoppen

1. Ziehen Sie die Kettensäge aus dem Schnittbereich und lassen Sie dann den Auslöseschalter los, um die Kettensäge zu stoppen.
2. Bewegen Sie den Kettenbremshebel nach vorn in die Bremsstellung, um die Kettenbremse zu aktivieren (Abb. K).

⚠️ WARNUNG: Bei Arbeitspausen und nach Abschluss der Arbeiten stets den Akku vom Gerät abnehmen.

FESTER HALT AN DEN GRIFFEN (ABB. M)

- Mit rutschfesten Handschuhen sorgen Sie für maximalen Halt und Schutz.
- Legen Sie die Säge auf eine feste, ebene Fläche und halten Sie die Säge mit beiden Händen gut fest.
- Greifen Sie immer den vorderen Griff mit der linken Hand und den hinteren Griff mit der rechten Hand.
- Die Finger sollten den Griff umschließen und der Daumen sollte bis unter dem vorderen Griff anliegen.

⚠️ WARNUNG: Halten Sie das Gerät nie über Kreuz fest und vermeiden Sie Körperhaltungen, bei denen sich Ihr Körper oder Ihre Arme mit der Kettenlinie kreuzen.

⚠️ WARNUNG: Betätigen Sie den Auslöseschalter nicht mit der linken Hand und halten Sie den vorderen Griff mit Ihrer rechten Hand fest. Beim Arbeiten mit der Kettensäge dürfen sich keine Körperteile in der Kettenlinie befinden (Abb. N).

KORREKTE SCHNEIDHALTUNG (ABB. O)

- Beide Füße sollten auf festem Boden stehen und das Gewicht sollte gleichmäßig auf beide Beine verteilt sein.
- Der linke Arm sollte gerade und der Ellbogen durchgedrückt sein. Mit dieser Haltung können Sie den Kräften besser standhalten, die durch einen Rückschlag oder Rückstoß entstehen.
- Ihr Körper sollte sich immer links von der Kettenlinie befinden.

GÄNGIGE SCHNEIDETECHNIKEN

⚠️ WARNUNG: Achten Sie immer auf einen sicheren

Stand und halten Sie die Kettensäge mit beiden Händen fest, solange der Motor läuft.

⚠️ WARNUNG: Wenn die Sägekette während des Sägens stoppt, weil sie fest sitzt, lassen Sie den Auslöseschalter los. Ziehen Sie die Sägekette und Führungsschiene aus dem Holz und schalten Sie die Kettensäge wieder ein.

⚠️ WARNUNG: Ziehen Sie die Sägekette nicht mit der Hand, wenn Sie wegen Sägestaub blockiert. Wenn die Kettensäge versehentlich in Betrieb gesetzt wird, kann es zu ernsthaften Verletzungen kommen. Drücken Sie die Sägekette gegen das Holz und bewegen Sie die Kettensäge vor und zurück, um die Rückstände zu beseitigen. Entfernen Sie vor dem Reinigen immer den Akku. Tragen Sie robuste Schutzhandschuhe beim Umgang mit der Sägekette.

⚠️ WARNUNG: Starten Sie die Kettensäge niemals, wenn sie Kontakt mit dem Holz hat. Warten Sie immer zuerst, bis die Kettensäge ihre volle Geschwindigkeit erreicht hat, bevor Sie mit der Säge in das Holz sägen.

⚠️ WARNUNG: Diese Kettensäge mit Obergriff ist nicht für den Einsatz auf dem Boden bestimmt, daher enthält dieses Handbuch keine Anweisungen zum Fällen von Bäumen, Entasten und Ablängen von Bäumen.

⚠️ WARNUNG: Diese Anweisungen für Arbeiten im Baum gelten für diese-Kettensäge mit Obergriff, die exklusiv für-Schneidarbeiten im Baum durch zertifizierte Baumpflegefachleute, die speziell für diese Arbeiten geschult sind, entwickelt wurde.

⚠️ WARNUNG: Kappen kann zu Verletzungen führen. Es sollte nur von einer geschulten Person durchgeführt werden.

⚠️ WARNUNG: Erstanwender sollten das Sägen von Baumstämmen auf einem Sägebock oder Schragen üben.

⚠️ WARNUNG: Arbeiten Sie nicht in Bäumen bei starkem Wind.

⚠️ WARNUNG: Stellen Sie sicher, dass sich alle Umstehenden aus dem Fallbereich entfernt haben, bevor Sie den Betrieb aufnehmen.

⚠️ WARNUNG: Halten Sie sich und Ihre Ausrüstung immer von dem zu entfernenden Material fern.

⚠️ VORSICHT: Stellen Sie sicher, dass der Akku vollständig aufgeladen ist, bevor Sie in einem Baum

arbeiten.

Beschneiden (Abb. P)

Halten Sie sich an die unten stehenden Schritte, um Schäden am Baum oder an der Rinde zu vermeiden. Bewegen Sie die Säge nicht vor und zurück.

1. Führen Sie einen ersten oberflächlichen Schnitt (1/3 des Astdurchmessers) auf der Unterseite des Astes neben dem Hauptast oder Stamm aus.
2. Nehmen Sie einen zweiten Schnitt auf der Oberseite des Astes außerhalb des ersten Schnittes vor. Sägen Sie weiter durch den Ast, bis sich der Ast vom Baum löst. Stellen Sie sich darauf ein, das Gewicht des Werkzeugs abzufangen, und achten Sie darauf, sich davon fernzuhalten, bevor Sie den Schnitt ausführen.
3. Führen Sie einen abschließenden Schnitt direkt am Stamm aus.

Kappen

Entfernen Sie vor dem Blocking lose Rinde, Nägel, Klammern und Draht von dem Baum, an dem die Schnitte zum Kappen gemacht werden sollen.

Fällkerb-Unterschnitt

Sägen Sie eine Kerbe von einem Viertel des Stammdurchmessers senkrecht zur Fallrichtung, wie in Abb. Q dargestellt. Setzen Sie zuerst den unteren waagrechten Kerbschnitt. Dies hilft, das Einklemmen der Sägekette oder der Führungsschiene zu vermeiden, wenn die zweite Kerbe gesägt wird.

Q-1	Fallrichtung	Q-3	Fällschnitt
Q-2	Kerbe	Q-4	Scharnier

Fällschnitt

- Machen Sie den Fällschnitt auf der gleichen Höhe wie den horizontalen Kerbschnitt wie in Abb. Q gezeigt. Führen Sie den Fällschnitt parallel zum waagrechten Kerbschnitt. Setzen Sie den Fällschnitt so, dass genug Holz übrig bleibt, über das der Baum wie bei einem Scharnier abknicken kann. Dieser Knickpunkt verhindert, dass sich der Baum dreht und in die falsche Richtung fällt. Nicht durch den Knickpunkt sägen.
- Wenn der Fällschnitt fast das Scharnier erreicht, sollte der Baum zu fallen beginnen. Sollte die Gefahr bestehen, dass der Baum nicht in die gewünschte Richtung fällt oder rückwärts kippt und die Sägekette einklemmt, sägen Sie nicht weiter, bevor der Fällschnitt abgeschlossen ist. Verwenden Sie Keile aus Holz, Kunststoff oder Aluminium, um den Schnitt zu öffnen und den Baum entlang der gewünschten Linie zum

Fallen zu bringen.

- Wenn der Baumklotz zu fallen beginnt, nehmen Sie die Kettensäge aus dem Schnitt, stoppen Sie den Motor und aktivieren Sie die Kettenbremse. Achten Sie auf herunterfallende Äste und auf festen Untergrund.

WARTUNG

⚠️ WARNUNG: Verwenden Sie für die Wartung nur baugleiche Ersatzteile. Die Verwendung anderer Teile kann Unfälle und Schäden am Gerät hervorrufen. Um die Sicherheit und Zuverlässigkeit zu gewährleisten, sollten alle Reparaturen nur von qualifizierten Servicetechnikern durchgeführt werden.

⚠️ WARNUNG: Um schwere Verletzungen zu vermeiden, entfernen Sie immer den Akku aus dem Produkt, bevor Sie das Gerät untersuchen, säubern oder Wartungsarbeiten vornehmen. Ein akkubetriebenes Werkzeug mit eingelegtem Akku ist immer einsatzbereit und kann versehentlich in Betrieb gesetzt werden.

⚠️ WARNUNG: Wenn Sie die Kettensäge reinigen, tauchen Sie diese NICHT in Wasser oder andere Flüssigkeiten.

⚠️ WARNUNG: Achten Sie immer darauf, dass Bremsflüssigkeit, Benzin, Mineralöl-Erzeugnisse, Kriechöle usw. nicht mit den Kunststoffteilen in Kontakt kommen. Die Chemikalien können die Kunststoffe angreifen, mechanisch schwächen oder zerstören, was zu schweren Verletzungen führen kann.

REINIGUNG

- Entfernen Sie nach jedem Gebrauch mithilfe einer weichen Bürste anhaftenden Schmutz von der Kette und Führungsschiene. Wischen Sie die Oberfläche der Kettensäge mit einem sauberen und mit milder Seifenlösung befeuchteten Tuch ab.
- Nehmen Sie die Seitenabdeckung ab und entfernen Sie dann mit einer weichen Bürste Ablagerungen von der Führungsschiene, Sägekette, vom Ritzel und der Seitenabdeckung.
- Entfernen Sie Holzspäne, Sägestaub und Schmutz aus der Nut der Führungsschiene, wenn Sie die Sägekette wechseln.

WARTUNG DER FÜHRUNGSSCHIENE

Falls die Führungsschiene Verschleißerscheinungen aufweist, montieren Sie sie vom Antriebskopf der Säge ab und bauen Sie sie umgedreht wieder ein (Abb. R1). Dadurch verteilt sich die Abnutzung und die Schiene hält

länger.

Die Schiene sollte jeden Tag, an dem das Gerät gebraucht wurde, gereinigt und auf Verschleiß sowie Schäden untersucht werden. Scharfe Kanten oder Grat an den Schienenstegen sind normale Verschleißerscheinungen an der Schiene. Diese Fehlstellen sollten mit einer Feile geglättet werden, sobald sie sich bemerkbar machen. Eine Schiene mit einem der folgenden Mängel sollte ausgewechselt werden:

- Verschleiß in den Schienenstegen, wodurch sich die Kette seitlich legen kann.
- Verbogene Führungsschiene
- Gesprungene oder gebrochene Stege.
- Gespreizte Stege.

Darüber hinaus ist die Führungsschiene mit einem Zahnrad an der Spitze versehen (Abb. R2). Das Zahnrad muss wöchentlich mit einer Fettpresse geschmiert werden, um die Nutzungsdauer der Führungsschiene zu verlängern. Schmieren Sie mithilfe einer Fettpresse mit Kettenöl wöchentlich über das Schmierloch (Abb. R3). Wenden Sie die Führungsschiene und prüfen Sie, ob die Schmierlöcher und Kettennut frei von Verunreinigungen sind.

R-1	Zahnrad in der Führungsschienen Spitze
R-2	Schmierloch

TRANSPORT UND LAGERUNG

- Eine laufende Kettensäge darf nicht verstaut oder transportiert werden. Entfernen Sie vor dem Lagern oder Transportieren immer den Akku.

- Schieben Sie die Kettenschutzhülle über die Führungsschiene und Kette, bevor Sie die Kettensäge verstauen oder transportieren. Nehmen Sie sich vor den scharfen Zähnen der Kette in Acht.
- Tragen Sie das Gerät immer am vorderen Griff.
- Schützen Sie das Gerät vor heftigen Stößen oder starken Vibrationen, die während des Transports im Fahrzeug auftreten können.
- Reinigen Sie die Kettensäge gründlich und entleeren Sie den Öltank, bevor Sie die Kettensäge verstauen. Lagern Sie die Kettensäge im Haus an einem trockenen Ort, der abgeschlossen und/oder für Kinder nicht erreichbar ist.
- Halten Sie sie von korrosiven Mitteln wie Gartenchemikalien und Streusalz fern.

SCHUTZ DER UMWELT



Elektrogeräte, alte Akkus und Ladegeräte dürfen nicht im Hausmüll entsorgt werden!

Die Maschine muss einer offiziellen Recycling-Sammelstelle zur getrennten Entsorgung zugeführt werden. Elektrogeräte müssen bei einem umweltfreundlichen Recycling-Betrieb abgegeben werden.

STÖRUNGSBEHEBUNG

⚠️ WARNUNG: Schützen Sie immer Ihre Hände, indem Sie robuste Handschuhe tragen, wenn Sie Wartungsarbeiten an der Sägekette durchführen. Entfernen Sie immer den Akku, wenn Sie die Kettensäge warten oder transportieren.

PROBLEM	URSACHE	LÖSUNG
Motor läuft nicht.	<ul style="list-style-type: none"> ■ Der Akku ist nicht an der Kettensäge angeschlossen. ■ Es besteht kein elektrischer Kontakt zwischen Säge und Akkupack. ■ Der Akku ist entladen. ■ Der Akku oder die Kettensäge ist zu heiß. ■ Die Sicherheitsverriegelung wird vor dem Betätigen des Auslöseschalters nicht gedrückt. ■ Die Kettenbremse ist eingerückt. ■ Sägekette sitzt im Holz fest. ■ Sägereste in der Schienennut ■ Sägereste in der Seitenabdeckung ■ Es wird ein Akkupack mit 4,0 Ah oder höher verwendet. 	<ul style="list-style-type: none"> ■ Akku an die Kettensäge anschließen ■ Akku abnehmen, Kontakte überprüfen und wieder anschließen. ■ Laden Sie den Akku auf. ■ Lassen Sie den Akku oder die Kettensäge abkühlen, bis die Temperatur auf den empfohlenen Betriebstemperaturbereich gefallen ist. ■ Halten Sie die Sicherheitsverriegelung gedrückt und drücken Sie dann den Ein-/Ausschalter, um die Kettensäge einzuschalten. ■ Ziehen Sie den Kettenbremshebel in Richtung des vorderen Griffs in die Betriebsposition. ■ Lassen Sie den Auslöseschalter los; entfernen Sie die Sägekette und Führungsschiene aus dem Holz, starten Sie dann die Kettensäge erneut. ■ Drücken Sie die Sägekette gegen das Holz und bewegen Sie die Kettensäge vor und zurück, um die Rückstände zu beseitigen. ■ Entfernen Sie den Akku, nehmen Sie dann die Seitenabdeckung ab und entfernen Sie die Rückstände. ■ Nur mit EGO 2,5-Ah-Akkupacks BA1400 und BA1400T verwenden.
Die Kettensäge stoppt unerwartet während des Betriebs.	<ul style="list-style-type: none"> ■ Die Kettensäge ist überlastet. ■ Der Akku oder die Kettensäge ist zu heiß. ■ Sägekette sitzt im Holz fest. 	<ul style="list-style-type: none"> ■ Verringern Sie die Belastung. ■ Lassen Sie den Akku oder die Kettensäge abkühlen, bis die Temperatur auf den empfohlenen Betriebstemperaturbereich gefallen ist. ■ Lassen Sie den Auslöseschalter los; entfernen Sie die Sägekette und Führungsschiene aus dem Holz, starten Sie dann die Kettensäge erneut.
Motor läuft, aber die Kette dreht sich nicht.	<ul style="list-style-type: none"> ■ Kette greift nicht in das Antriebsritzel ein. 	<ul style="list-style-type: none"> ■ Entfernen Sie den Akku und montieren Sie die Kette erneut. Achten Sie dabei darauf, dass die Antriebsglieder der Kette vollständig auf dem Kettenrad sitzen.

PROBLEM	URSACHE	LÖSUNG
Kettenbremse rückt nicht ein	<ul style="list-style-type: none"> ■ Rückstände verhindern die vollständige Bewegung des Kettenbremshebels. ■ Mögliche Fehlfunktion der Kettenbremse 	<ul style="list-style-type: none"> ■ Beseitigen Sie die Schmutzrückstände außen an der Kettenbremse. ■ Stellen Sie den Gebrauch der Kettensäge sofort ein! Wenden Sie sich zwecks Reparatur an den EGO-Kundendienst.
Kettensäge sägt nicht richtig.	<ul style="list-style-type: none"> ■ Ungenügende Kettenspannung ■ Stumpfe Kette ■ Kette verkehrt herum installiert ■ Abgenutzte Kette. ■ Trockene oder übermäßig gedehnte Kette ■ Kette nicht in der Nut der Führungsschiene. 	<ul style="list-style-type: none"> ■ Stellen Sie die Kettenspannung gemäß Abschnitt „EINSTELLEN DER KETTENSpannung“. ■ Schärfen Sie die Kette. ■ Montieren Sie die Sägekette wieder. beachten dazu den Abschnitt „MONTIEREN/AUSWECHSELN DER FÜHRUNGSSCHIENE UND DER KETTE“. ■ Wechseln Sie die Kette aus gemäß Abschnitt „MONTIEREN/AUSWECHSELN DER FÜHRUNGSSCHIENE UND DER KETTE“. ■ Überprüfen Sie den Ölstand. Füllen Sie gegebenenfalls Öl nach. ■ Installieren Sie die Sägekette neu gemäß Abschnitt „MONTIEREN/AUSWECHSELN DER FÜHRUNGSSCHIENE UND DER KETTE“.
Die Kette wird locker oder fällt bei normalem Gebrauch von der Führungsschiene ab.	<ul style="list-style-type: none"> ■ Die Kette wird locker, da sich während des normalen Sägebetriebs die Temperatur der Kette erhöht. ■ Kette greift nicht in das Antriebsritzel ein. 	<ul style="list-style-type: none"> ■ Stellen Sie die Kettenspannung gemäß Abschnitt „EINSTELLEN DER KETTENSpannung“ ein. ■ Installieren Sie die Sägekette neu gemäß Abschnitt „MONTIEREN/AUSWECHSELN DER FÜHRUNGSSCHIENE UND DER KETTE“.
Schiene und Kette laufen heiß und setzen Rauch frei.	<ul style="list-style-type: none"> ■ Auf zu straffe Kettenspannung prüfen. ■ Der Kettenöltank ist leer. ■ Schmutzreste in der Nut der Führungsschiene 	<ul style="list-style-type: none"> ■ Stellen Sie die Kettenspannung gemäß Abschnitt „EINSTELLEN DER KETTENSpannung“ erneut ein. ■ Füllen Sie den Tank mit Schienen- und Kettenschmiermittel. ■ Drücken Sie die Sägekette gegen das Holz und bewegen Sie die Kettensäge vor und zurück, um die Rückstände zu beseitigen.

GARANTIE

EGO-GARANTIEBEDINGUNGEN

Sämtliche EGO-Garantiebedingungen finden Sie auf der Website egopowerplus.eu.

LISEZ TOUTES LES INSTRUCTIONS!



LISEZ LE MANUEL D'UTILISATION

FR

AVERTISSEMENT : Pour garantir la sécurité et la fiabilité, toutes les réparations doivent être effectuées par un réparateur qualifié.

AVERTISSEMENT : Lisez et comprenez impérativement toutes les consignes de sécurité de ce manuel d'utilisation, y compris les symboles de mise en garde de sécurité tels que « DANGER », « AVERTISSEMENT » et « ATTENTION » avant d'utiliser cet outil. Le non-respect de toutes les instructions énumérées ci-dessous peut entraîner un choc électrique, un incendie et / ou des blessures graves.

CONSERVEZ TOUTES LES CONSIGNES DE SÉCURITÉ ET TOUTES LES INSTRUCTIONS POUR POUVOIR VOUS Y RÉFÉRER ULTÉRIEUREMENT.

SYMBOLES DE SÉCURITÉ

AVERTISSEMENT : L'utilisation de n'importe quelle machine peut entraîner la projection d'objets étrangers dans vos yeux, ce qui peut provoquer des lésions oculaires graves. Avant de commencer à utiliser l'outil électrique, portez toujours un masque de sécurité ou des lunettes de sécurité avec des protections latérales et une visière complète si nécessaire. Nous vous recommandons de porter un masque de sécurité à vision panoramique par-dessus des lunettes de vue ou des lunettes de sécurité standards avec des protections latérales.



Alerte de sécurité



Pour réduire le risque de blessures, l'utilisateur doit lire et comprendre le manuel d'utilisation avant d'utiliser ce produit.



Porter une protection oculaire



Porter une protection auditive



Porter un casque de protection



Porter des gants protecteurs



Rebond de nez de guide-chaîne



Utiliser toujours la tronçonneuse en la maintenant avec les deux mains



Attention au risque de rebond de la tronçonneuse, éviter d'attaquer le bois avec l'extrémité du guide-chaîne



Informations sur le guide-chaîne



Niveau de puissance acoustique garanti. Émission de bruit dans l'environnement conformément à la directive CE.



Les produits électriques usagés ne doivent pas être jetés avec les ordures ménagères. Apportez-les dans un centre de recyclage agréé.



Ce produit est conforme aux directives CE applicables.



Cette machine est conforme à la législation britannique applicable.



Courant continu

IPX4

Protection contre les éclaboussures d'eau

mm Millimètre

n_0 Régime à vide

V Tension

./min Par minute

SPÉCIFICATIONS

FR

Tension nominale	56 V	
Max. Vitesse de chaîne	20 m/s	
Pas de chaîne	1/4" (6,4 mm)	
Limiteur de profondeur	1,1 mm	
Longueur du guide-chaîne	300 mm	
Modèle de chaîne	AC1204Q (recommandé)	
	AC1000Q (compatible)	
Modèle de guide-chaîne	AG1000Q (Compatible)	
Modèle de kit de chaîne et de guide-chaîne	AK1204Q (Recommandé)	
Capacité du réservoir d'huile de chaîne	150 ml	
Poids (sans batterie, chaîne, guide-chaîne, capot latéral, huile ni fourreau)	1,9 kg	
Température d'utilisation recommandée	-15°C - 40°C	
Température de stockage recommandée	-20°C - 70°C	
Température de charge recommandée	5°C - 40°C	
Niveau de puissance acoustique mesuré L_{WA}	97 dB(A) K=3,6 dB(A)	
Niveau de pression acoustique à la position de fonctionnement L_{PA}	89 dB(A) K=3 dB(A)	
Niveau de puissance acoustique garanti L_{WA} (d'après 2000/14/CE)	101 dB(A)	
Vibration a_{h1}	Poignée avant	2,64 m/s ² K=1,5 m/s ²
	Poignée arrière	2,05 m/s ² K=1,5 m/s ²

- La valeur totale des vibrations indiquée a été mesurée selon une procédure conforme à une méthode de test standardisée et peut servir pour comparer différents outils.
- La valeur totale des vibrations déclarée peut également servir pour effectuer une évaluation préliminaire de l'exposition.

REMARQUE : Le niveau de vibrations lors de l'utilisation réelle de l'outil peut être différent de la valeur déclarée totale en fonction de la manière dont l'outil est utilisé ;

Afin de protéger l'opérateur, l'utilisateur doit porter des gants et des protecteurs d'oreilles en conditions réelles d'utilisation.

CONTENU DE L'EMBALLAGE (FIG. A1)

DESCRIPTION

DESCRIPTION DE VOTRE TRONÇONNEUSE (Fig. A1)

- Guide-chaîne
- Chaîne
- Poignée de frein de chaîne anti-rebond
- Poignée arrière
- Poignée avant
- Fenêtre d'observation du niveau d'huile
- Bouchon du réservoir d'huile
- Languette de verrouillage
- Gâchette
- Bouton de déblocage de la batterie
- Capot latéral
- Ecrou de guide-chaîne
- Vis de tension
- Trou de lubrification
- Protège-guide
- Crochet à dragonne
- Clé combinée

ASSEMBLAGE

ASSEMBLER/REPLACER LE GUIDE ET LA CHAÎNE

⚠ AVERTISSEMENT : Avant d'effectuer toute manipulation de montage ou d'entretien, assurez-vous que la batterie est retirée. Le non-respect de cet avertissement peut occasionner des blessures graves.

⚠ AVERTISSEMENT : Réglez la poignée de frein de chaîne anti-rebond sur la position de freinage avant l'assemblage.

⚠ AVERTISSEMENT : Portez toujours des gants lors de la manipulation de la chaîne et du guide, ces pièces sont très coupantes et peuvent comporter des bavures.

- Posez l'unité moteur de la tronçonneuse sur le côté avec son capot latéral vers le haut (Fig. B).
- Retirez le couvercle latéral en tournant l'écrou de guide-chaîne dans le sens inverse des aiguilles d'une

montre.

3. Tournez la vis de tension dans le sens inverse des aiguilles d'une montre pour desserrer la tension de la chaîne.
4. Posez la chaîne en boucle sur une surface plane et redressez tous les maillons (Fig. C).
5. Insérez les maillons d'entraînement de la chaîne dans le rail du guide et faites une boucle avec la chaîne à l'arrière du guide (Fig. D).
6. Maintenez la chaîne en position sur le guide et placez la boucle autour du pignon d'entraînement (Fig. E1).

D-1	Maillon d'entraînement de la chaîne	E-2	Goujons d'alignement
D-2	Rail du guide	E-3	Broche de tension
E-1	Pignon d'entraînement	E-4	Boulon de fixation

REMARQUE : Lorsque vous mettez la chaîne sur le guide-chaîne, assurez-vous, après avoir monté le guide-chaîne sur la tronçonneuse, que les gouges sont orientées dans le sens de rotation indiqué par la flèche sur le carter de la tronçonneuse (Fig. E1). Si tel n'est pas le cas, remontez la chaîne sur le guide-chaîne en veillant à ce que les gouges soient orientées dans le sens indiqué par la flèche (Fig. E2).

7. Placez le guide-chaîne sur la surface de montage en faisant glisser la fente du guide sur les goujons d'alignement. Assurez-vous que le guide-chaîne est correctement positionné sur le boulon de fixation et la goupille de tension.
8. Remplacez le capot latéral sur le carter de la tronçonneuse (Fig. E3) et serrez à fond l'écrou de guide-chaîne.

REMARQUE : Lors de l'assemblage et de l'entretien, la plaque métallique sous le guide-chaîne (Fig. F) peut se soulever. Si cela se produit, nettoyez soigneusement l'espace entre cette pièce métallique et le boîtier et **repoussez la plaque métallique** afin qu'elle soit au ras du boîtier. Le fait de ne pas nettoyer et placer correctement la plaque métallique entraînera un désalignement du guide-chaîne.

9. Faites tourner la chaîne à la main pour vérifier si la chaîne est correctement assemblée sans se coincer. Sinon, remontez la chaîne et le guide.

REMARQUE : Pour prolonger la durée de vie du guide, retournez-le occasionnellement.

RÉGLER LA TENSION DE LA CHAÎNE

- Éteignez le moteur et retirez la batterie de l'outil avant de régler la tension de la chaîne. Tournez la vis de tension dans le sens des aiguilles d'une montre ou dans le sens inverse pour régler la tension de la chaîne (Fig. F) jusqu'à ce que la chaîne soit bien calée contre le guide-chaîne, avec les maillons d'entraînement dans la rainure du guide-chaîne.
- Une chaîne froide est correctement tendue quand elle ne pend pas sous le guide et qu'elle est bien ajustée autour du guide tout en pouvant être tournée à la main sans coincer. La chaîne doit toujours être retendue si les parties plates des maillons d'entraînement sortent du rail du guide.
- Pendant l'utilisation normale, la température de la chaîne augmente. Les maillons d'entraînement d'une chaîne chaude correctement tendue pendent de 1-2 mm environ du rail du guide (Fig. G).

REMARQUE : Une chaîne neuve a tendance à s'allonger. Contrôlez fréquemment la tension de la chaîne et retendez-la si nécessaire.

REMARQUE : Si la tension de la chaîne est réglée quand elle est chaude, la tension risque de devenir trop importante quand la chaîne refroidit. Contrôlez la tension de la chaîne froide avant l'utilisation suivante.

FONCTIONNEMENT

⚠ AVERTISSEMENT : Veillez à ne pas devenir moins prudent(e) au fur et à mesure que vous vous familiarisez avec cet outil. Gardez à l'esprit qu'une fraction de seconde d'inattention peut suffire pour provoquer des blessures graves.

⚠ AVERTISSEMENT : N'utilisez aucun accessoire ou pièce non recommandé par le fabricant de ce produit. L'utilisation d'accessoires ou de pièces non recommandés peut provoquer des blessures corporelles graves.

⚠ AVERTISSEMENT : Pour prévenir un démarrage accidentel pouvant provoquer des blessures corporelles graves, veillez à ce que la batterie soit toujours retirée quand vous assemblez une pièce, faites un réglage, nettoyez et quand vous n'utilisez pas l'appareil.

Avant chaque utilisation, inspectez le produit complet à la recherche de pièces endommagées, manquantes ou desserrées telles que des vis, écrous, boulons, capuchons, etc. Serrez fermement toutes les fixations et

capuchons et ne faites pas fonctionner ce produit tant que toutes les pièces manquantes ou endommagées n'ont pas été remplacées.

FR

APPLICATIONS

Vous pouvez utiliser cette machine pour des applications de coupe de base dans les arbres.

⚠ AVERTISSEMENT : N'utilisez pas cette tronçonneuse dans un arbre à moins d'avoir été spécifiquement formé pour le faire. L'utilisation d'une tronçonneuse dans un arbre sans formation appropriée peut augmenter le risque de graves blessures.

REMARQUE : La machine ne doit être utilisée que pour son usage prévu. Toute autre utilisation est considérée comme inappropriée.

AJOUTER DU LUBRIFIANT DE GUIDE ET DE CHAÎNE

⚠ AVERTISSEMENT : Ne fumez pas et n'approchez pas de flamme près de l'huile ou de la tronçonneuse. Il peut y avoir des coulures/projections d'huile qui peuvent provoquer un incendie.

REMARQUE : La tronçonneuse n'est pas remplie d'huile lors de son achat. Il faut impérativement remplir son réservoir d'huile avant de l'utiliser. La chaîne est automatiquement lubrifiée avec de l'huile de chaîne pendant le fonctionnement, s'il y a suffisamment d'huile dans le réservoir.

1. Placez la tronçonneuse sur le côté avec le bouchon du réservoir vers le haut.
2. Nettoyez le bouchon du réservoir d'huile et la zone l'entourant pour éviter que des saletés ne tombent dans le réservoir d'huile.
3. Relevez la plaque semi-circulaire et tournez le bouchon du réservoir d'huile dans le sens antihoraire pour l'enlever (Fig. H).
4. Versez soigneusement l'huile à chaîne et guide-chaîne dans le réservoir. Remplissez le réservoir jusqu'au goulot de remplissage.
5. Essuyez l'huile en excès et refermez le bouchon.

REMARQUE : Vérifiez souvent le niveau d'huile et remplissez le réservoir quand son niveau descend en dessous du minimum. N'utilisez pas la scie à chaîne si le niveau d'huile n'est pas visible.

UTILISATION DE L'ŒILLET À DRAGONNE (Fig. H)

⚠ AVERTISSEMENT : Couvrez toujours la chaîne et le guide-chaîne avec le protège-guide lorsque vous

suspendez la tronçonneuse à une ceinture à outils. La chaîne est tranchante et peut causer des blessures graves.

⚠ AVERTISSEMENT : Assurez-vous que la dragonne est suffisamment solide pour supporter le poids combiné de la tronçonneuse et de la batterie. Des blessures graves et des dommages matériels pourraient survenir en cas de chute de la tronçonneuse.

INSERTION / RETRAIT DE LA BATTERIE

Utilisez exclusivement les batteries et les chargeurs EGO listés à la Fig. A2.

Rechargez complètement la batterie avant la première utilisation.

Insertion

Alignez les arêtes de la batterie sur les rainures d'assemblage et poussez la batterie vers le bas jusqu'à entendre un « dé clic » (Fig. I).

Retrait

Appuyez sur le bouton de déblocage de la batterie et sortez la batterie de l'outil (Fig. J).

⚠ AVERTISSEMENT : Afin de maintenir un équilibre confortable pendant la coupe, veuillez l'utiliser uniquement avec la batterie BA1400/BA1400T.

DÉMARRER/ÉTEINDRE LA TRONÇONNEUSE

REMARQUE : Avant de démarrer la tronçonneuse, contrôlez son niveau d'huile, la tension de la chaîne, l'affûtage des gouges de la chaîne et le bon fonctionnement de la poignée de frein de chaîne. Vous devez aussi avoir des appuis des pieds équilibrés et être suffisamment éloigné du sol.

Démarrage (Fig. K)

1. Tirez la poignée de frein de chaîne anti-rebond vers la poignée avant dans la position de travail (Fig. K).
2. Saisissez la poignée avant avec la main **gauche** et la poignée arrière avec la main **droite**.

⚠ AVERTISSEMENT : Pour éviter les blessures, utilisez toujours la tronçonneuse avec la main droite sur la zone de préhension de la poignée arrière (Fig. L).

3. Actionnez la languette de verrouillage vers l'avant, puis appuyez sur la gâchette pour démarrer la tronçonneuse (Fig. L).

L-1

Zone de préhension

4. Relâchez la languette de déverrouillage et continuez d'appuyer sur la gâchette pour utiliser l'outil.
5. Plus vous enfoncez la gâchette, plus la vitesse augmente. Ajustez la vitesse en fonction de la tâche à accomplir.

⚠ AVERTISSEMENT : N'essayez pas de démarrer la tronçonneuse quand la chaîne est dans la coupe.

Arrêt

1. Pour arrêter la tronçonneuse, éloignez-la de l'aire de découpe et relâchez la gâchette.
2. Poussez la poignée de frein de chaîne anti-rebond vers l'avant dans la position de freinage pour engager le frein de chaîne (Fig. K).

⚠ AVERTISSEMENT : Retirez toujours la batterie de la machine pendant les pauses et après avoir terminé le travail.

PRISE ADÉQUATE DES POIGNÉES (FIG. M)

- Portez des gants antidérapants afin de maximiser la prise et la protection.
- Avec la tronçonneuse posée sur une surface plane et rigide, saisissez-la fermement des deux mains.
- Saisissez toujours la poignée avant avec la main gauche et la poignée arrière avec la main droite.
- Les doigts doivent enserrer les poignées avec le pouce placé sous la poignée avant.

⚠ AVERTISSEMENT : N'utilisez jamais de prise inversée (les bras croisés), ou toute autre position qui placerait votre corps ou votre bras dans l'axe de la chaîne.

⚠ AVERTISSEMENT : Ne pressez pas la gâchette avec votre main gauche en tenant la poignée avant avec votre main droite. Ne placez jamais une partie de votre corps dans l'axe de la chaîne lorsque vous utilisez une tronçonneuse (Fig. N).

POSTURE DE COUPE ADÉQUATE (FIG. O)

- Les deux pieds doivent se trouver sur un sol ferme avec le poids également réparti sur les deux pieds.
- Le bras gauche doit être droit avec le coude bloqué. Cela aide à résister aux forces générées par un rebond.
- Votre corps doit toujours être positionné sur la gauche de l'alignement de la chaîne.

TECHNIQUES DE COUPE COURANTES

⚠ AVERTISSEMENT : Ayez toujours des appuis des pieds sûrs et tenez toujours la tronçonneuse fermement à

deux mains quand le moteur est en marche.

⚠ AVERTISSEMENT : Quand la chaîne est arrêtée par un pincement pendant la coupe, relâchez la gâchette, retirez la chaîne et le guide hors du bois, puis redémarrez la tronçonneuse.

⚠ AVERTISSEMENT : Ne tirez pas la chaîne à la main quand elle est coincée par des sciures. Cela peut provoquer des blessures graves si la tronçonneuse redémarre accidentellement. Appuyez la chaîne contre le bois et déplacez la tronçonneuse d'avant en arrière pour enlever les débris. Retirez toujours la batterie avant une opération de nettoyage. Portez des gants protecteurs pour travaux lourds pour manipuler la chaîne.

⚠ AVERTISSEMENT : Ne démarrez jamais la tronçonneuse quand elle est en contact avec le bois. Attendez toujours que la chaîne ait atteint sa pleine vitesse avant de la mettre en contact avec le bois.

⚠ AVERTISSEMENT : Cette tronçonneuse à poignée supérieure n'est pas destinée à être utilisée au sol, le présent mode d'emploi ne contient donc pas d'instructions pour abattre des arbres, ébrancher et tronçonner des arbres.

⚠ AVERTISSEMENT : Ces instructions pour le travail en arbre s'appliquent à cette tronçonneuse à poignée supérieure, conçue exclusivement pour les travaux de coupe en arbre par des professionnels des services certifiés et spécialement formés à cet effet.

⚠ AVERTISSEMENT : Toute coupe par blocs peut entraîner des blessures. Elle ne doit être effectuée que par une personne dûment formée.

⚠ AVERTISSEMENT : Les nouveaux utilisateurs doivent s'entraîner à couper des bûches sur un chevalet de scie ou un support à bûches.

⚠ AVERTISSEMENT : Ne travaillez pas dans des arbres par vent fort.

⚠ AVERTISSEMENT : Veillez à ce que toutes les autres personnes soient à l'écart de la zone de chute avant de commencer le travail.

⚠ AVERTISSEMENT : Gardez toujours vous-même et votre équipement à distance du matériau à enlever.

⚠ ATTENTION : Assurez-vous que la batterie est complètement chargée avant de travailler dans un arbre.

Élagage (Fig. P)

Respectez la procédure suivante pour éviter d'endommager l'écorce des arbres et des arbustes. N'effectuez pas de mouvements de sciage d'avant en arrière.

FR

1. Effectuez d'abord une première coupe peu profonde (1/3 du diamètre de la branche) par-dessous la branche près du tronc ou de la branche principale.
2. Effectuez une deuxième coupe par-dessus la branche à une position plus éloignée du tronc ou de la branche principale que la première coupe. Continuez de couper la branche jusqu'à ce qu'elle se sépare de l'arbre. Soyez prêt à équilibrer le poids de l'outil et assurez-vous d'être bien dégagé de la coupe avant d'éteindre la machine.
3. Effectuez une coupe finale près du tronc.

Coupe par blocs

Avant une coupe par blocs, enlevez l'écorce lâche, les clous, les agrafes et le fil de fer de l'arbre où la coupe doit être faite.

Entaille inférieure

Effectuez une entaille sur 1/4 du diamètre de l'arbre, perpendiculairement au sens de la chute (Fig. Q). Effectuez la coupe basse horizontale en premier. Cela aide à éviter le pincement de la chaîne ou du guide lors de la réalisation de la deuxième coupe oblique.

Q-1	Sens de la chute	Q-3	Coupe arrière
Q-2	Encoche	Q-4	Charnière

Coupe arrière

- Faites la coupe arrière de la même hauteur que la coupe basse horizontale comme illustré à la Fig. Q. Gardez la coupe arrière parallèle à la coupe basse horizontale. Effectuez la coupe arrière en laissant une partie suffisante du tronc non coupée pour servir de charnière. La charnière de bois a pour but d'éviter que l'arbre ne pivote et ne tombe du mauvais côté. Ne coupez pas la partie du tronc servant de charnière.
- À mesure que le trait d'abattage s'approche de la charnière, l'arbre devrait commencer à tomber. S'il y a la moindre possibilité que l'arbre ne tombe pas dans la direction désirée ou qu'il bascule en arrière en bloquant la chaîne, stoppez la coupe arrière d'abattage avant de terminer et utilisez des cales en bois, plastique ou aluminium pour ouvrir la coupe et faire tomber l'arbre dans la direction souhaitée.
- Lorsque le bloc commence à tomber, retirez la tronçonneuse de la ligne de coupe, coupez le moteur

et actionnez le frein de chaîne. Prenez garde à la chute de branches surplombantes et faites attention là où vous mettez les pieds.

ENTRETIEN

⚠ AVERTISSEMENT : La machine ne doit être réparée qu'avec des pièces de rechange identiques. L'utilisation de toute autre pièce peut créer un danger ou détériorer l'outil. Pour garantir la sécurité et la fiabilité, toutes les réparations doivent être effectuées par un réparateur qualifié.

⚠ AVERTISSEMENT : Pour vous prémunir contre des blessures graves, retirez toujours la batterie de la tronçonneuse avant toute opération d'inspection, de nettoyage ou d'entretien. Un outil alimenté par batterie avec la batterie insérée est toujours sous tension et peut démarrer accidentellement.

⚠ AVERTISSEMENT : Lors du nettoyage de la tronçonneuse, NE L'IMMERGEZ PAS dans de l'eau ni dans aucun autre liquide.

⚠ AVERTISSEMENT : Veillez à ce que les pièces en plastique de l'outil n'entrent jamais en contact avec du liquide de frein, de l'essence, des produits à base de pétrole, du dégrissant, etc. Les produits chimiques peuvent endommager, fragiliser ou détruire le plastique, ce qui peut provoquer des blessures corporelles graves.

NETTOYAGE

- Après chaque utilisation, enlevez les débris de la chaîne et du guide avec une brosse souple. Essuyez la surface de la tronçonneuse avec un chiffon propre humidifié avec de l'eau et du savon doux.
- Retirez le capot latéral, puis enlevez les débris du guide, de la chaîne, du pignon d'entraînement et du capot latéral avec une brosse souple.
- Enlevez tous les copeaux de bois, les sciures et les saletés du rail du guide quand vous changez la chaîne.

ENTRETIEN DU GUIDE-CHAÎNE

Lorsque le guide-chaîne présente des signes d'usure, démontez-le de l'unité moteur de la tronçonneuse et retournez-le avant de le remonter (Fig. R1). Ceci permet de répartir l'usure pour une durée de vie maximale du guide-chaîne.

Le guide doit être nettoyé chaque jour d'utilisation et inspecté pour contrôler son usure et sa détérioration. L'apparition de bavures et l'amincissement du guide font partie du processus normal d'usure du guide. Ces défauts

doivent être lissés avec une lime dès leur apparition. Un guide présentant l'un des défauts suivants doit être changé.

- Usure interne du rail du guide permettant à la chaîne de se coucher sur le côté.
- Guide tordu.
- Rail fissuré ou cassé.
- Rail élargi.

De plus, le nez du guide comporte un pignon de renvoi (Fig. R2). Ce pignon doit être lubrifié toutes les semaines avec une seringue à graisse pour prolonger la durée de vie du guide. Au moyen de la seringue, injectez l'huile de la chaîne dans le trou de lubrification, une fois par semaine (Fig. R3). Retournez le guide et vérifiez que les trous de lubrification et le rail sont exempts de saletés.

R-1	Pignon de renvoi (dans le nez du guide)
R-2	Trou de lubrification

TRANSPORT ET RANGEMENT

- Ne rangez pas et ne transportez pas la tronçonneuse quand elle est en marche. Retirez toujours la batterie de l'outil avant de ranger ou de transporter l'outil.
- Recouvrez toujours la chaîne et le guide-chaîne avec le protège-guide avant de ranger ou de transporter la tronçonneuse. Faites attention pour éviter qu'il ne soit endommagé par les gouges de la chaîne.

- Portez toujours l'appareil par sa poignée avant.
- Protégez le produit contre tout impact lourd ou vibrations fortes pouvant se produire pendant le transport dans un véhicule.
- Nettoyez soigneusement la tronçonneuse et videz le réservoir d'huile avant de la ranger. Rangez la tronçonneuse en intérieur, dans un endroit sec verrouillé et/ou hors de portée des enfants.
- Veillez à ce qu'il reste à l'écart de produits corrosifs, par exemple les produits chimiques de jardinage et les sels de déverglacage.

PROTECTION DE L'ENVIRONNEMENT



Ne jetez pas les équipements électriques, les batteries et les chargeurs usagés avec les ordures ménagères !

Apportez ce produit chez un recycleur agréé et rendez-le disponible pour une collecte séparée. Les outils électriques doivent être amenés dans un centre de recyclage pour assurer le respect de l'environnement.

GUIDE DE DÉPANNAGE

⚠ AVERTISSEMENT : Protégez toujours vos mains en portant des gants pour travaux lourds pendant toutes les opérations d'entretien de la tronçonneuse. Retirez toujours la batterie pendant l'entretien ou le transport de la tronçonneuse.

FR

PROBLÈME	CAUSE	SOLUTION
Le moteur ne tourne pas.	<ul style="list-style-type: none"> ■ La batterie n'est pas insérée dans la tronçonneuse. ■ Il n'y a pas de contact électrique entre la tronçonneuse et la batterie. ■ La batterie est déchargée. ■ La batterie ou la tronçonneuse est trop chaude. ■ La languette de verrouillage n'a pas été enfoncée avant d'appuyer sur la gâchette. ■ Le frein de chaîne est engagé. ■ La chaîne est coincée dans le bois. ■ Il y a des débris dans le rail du guide. ■ Il y a des débris dans le capot latéral. ■ Une batterie de 4,0 Ah ou plus est utilisée. 	<ul style="list-style-type: none"> ■ Insérez la batterie dans la tronçonneuse. ■ Retirez la batterie, inspectez les contacts, puis réinsérez la batterie. ■ Rechargez la batterie. ■ Laissez la batterie ou la tronçonneuse refroidir jusqu'à ce que la température diminue et atteigne la plage de température d'utilisation recommandée. ■ Appuyez sur la languette de verrouillage et maintenez-la enfoncée, puis appuyez sur la gâchette pour allumer la tronçonneuse. ■ Tirez la poignée de frein de chaîne en arrière vers la poignée avant jusqu'à la position de travail. ■ Relâchez la gâchette, retirez la chaîne et le guide hors du bois, puis redémarrez la tronçonneuse. ■ Appuyez la chaîne contre le bois et déplacez la tronçonneuse d'avant en arrière pour enlever les débris. ■ Retirez la batterie, puis retirez le capot latéral et enlevez les débris. ■ À utiliser uniquement avec des batteries EGO de 2,5 Ah BA1400 et BA1400T.
La tronçonneuse s'arrête de manière inattendue pendant le fonctionnement.	<ul style="list-style-type: none"> ■ Le moteur est en surcharge. ■ La batterie ou la tronçonneuse est trop chaude. ■ La chaîne est coincée dans le bois. 	<ul style="list-style-type: none"> ■ Diminuez la charge. ■ Laissez la batterie ou la tronçonneuse refroidir jusqu'à ce que la température diminue et atteigne la plage de température d'utilisation recommandée. ■ Relâchez la gâchette, retirez la chaîne et le guide hors du bois, puis redémarrez la tronçonneuse.
Le moteur fonctionne, mais la chaîne ne tourne pas.	<ul style="list-style-type: none"> ■ La chaîne n'est pas engagée dans le pignon d'entraînement. 	<ul style="list-style-type: none"> ■ Retirez la batterie, réinstallez la chaîne en veillant à complètement encaster les maillons d'entraînement de la chaîne sur le pignon.

PROBLÈME	CAUSE	SOLUTION
Le frein de chaîne ne s'enclenche pas.	<ul style="list-style-type: none"> ■ Des débris empêchent le mouvement complet du frein de chaîne. ■ Dysfonctionnement possible du frein de chaîne. 	<ul style="list-style-type: none"> ■ Enlevez les débris du mécanisme externe du frein de chaîne. ■ Arrêtez immédiatement d'utiliser la tronçonneuse ! Contactez le service client EGO pour la réparation.
La tronçonneuse ne coupe pas bien.	<ul style="list-style-type: none"> ■ La chaîne n'est pas assez tendue. ■ La chaîne est émoussée. ■ La chaîne a été assemblée à l'envers. ■ La chaîne est usée. ■ La chaîne est sèche ou excessivement tendue. ■ La chaîne n'est pas dans le rail du guide. 	<ul style="list-style-type: none"> ■ Réajustez la tension de la chaîne en consultant la section : « RÉGLER LA TENSION DE LA CHAÎNE ». ■ Aiguissez la chaîne. ■ Réassemblez la chaîne en procédant comme indiqué dans la rubrique « ASSEMBLER/REEMPLACER LE GUIDE ET LA CHAÎNE ». ■ Remplacez la chaîne en respectant les instructions du chapitre « ASSEMBLER/REEMPLACER LE GUIDE ET LA CHAÎNE ». ■ Contrôlez le niveau d'huile. Remplissez le réservoir d'huile si nécessaire. ■ Réinstallez la chaîne en respectant les instructions du chapitre « ASSEMBLER/REEMPLACER LE GUIDE ET LA CHAÎNE ».
La chaîne est lâche ou ne reste pas sur le guide lors d'une utilisation normale.	<ul style="list-style-type: none"> ■ Lors d'une utilisation normale, la chaîne devient lâche avec l'augmentation de la température. ■ La chaîne n'est pas engagée dans le pignon d'entraînement. 	<ul style="list-style-type: none"> ■ Augmentez la tension de la chaîne en procédant comme indiqué dans la rubrique « RÉGLER LA TENSION DE LA CHAÎNE ». ■ Réinstallez la chaîne en respectant les instructions du chapitre « ASSEMBLER/REEMPLACER LE GUIDE ET LA CHAÎNE ».
La chaîne et le guide chauffent et fument.	<ul style="list-style-type: none"> ■ Contrôlez la tension de la chaîne pour vérifier qu'elle n'est pas trop tendue. ■ Le réservoir d'huile est vide. ■ Il y a des débris dans le rail du guide. 	<ul style="list-style-type: none"> ■ Réglez de nouveau la tension de la chaîne en procédant comme indiqué dans la section « RÉGLER LA TENSION DE LA CHAÎNE ». ■ Remplissez le réservoir de lubrifiant pour chaîne et guide-chaîne. ■ Appuyez la chaîne contre le bois et déplacez la tronçonneuse d'avant en arrière pour enlever les débris.

GARANTIE

POLITIQUE DE GARANTIE EGO

Rendez-vous sur le site web egopowerplus.eu pour consulter l'intégralité des conditions de la politique de garantie EGO.

¡LEA TODAS LAS INSTRUCCIONES!



LEA EL MANUAL DEL USUARIO

ES

⚠ ADVERTENCIA: Para garantizar la seguridad y fiabilidad de la herramienta, las reparaciones debe realizarlas únicamente un técnico cualificado.

⚠ ADVERTENCIA: Antes de utilizar esta herramienta, asegúrese de haber leído y entendido perfectamente todas las instrucciones que aparecen en este manual del usuario, incluidos todos los símbolos de aviso sobre seguridad, como «PELIGRO», «ADVERTENCIA» y «PRECAUCIÓN». Si no se observan todas las instrucciones que se indican a continuación existe riesgo de incendio, electrocución y lesiones graves.

CONSERVE TODAS LAS INSTRUCCIONES Y ADVERTENCIAS PARA PODER CONSULTARLAS EN EL FUTURO.

SÍMBOLOS DE SEGURIDAD

⚠ ADVERTENCIA: Cuando se utilizan máquinas, es posible que salgan despedidos objetos que podrían causar lesiones oculares graves. Antes de empezar a usar herramientas eléctricas, póngase siempre gafas de seguridad, gafas con cristales anti-impacto que cuenten con pantallas de protección lateral, o bien una máscara facial que proteja completamente la cara. Recomendamos usar una máscara de seguridad de amplia visión que pueda utilizarse encima de gafas graduadas, o bien gafas normales de seguridad equipadas con pantallas laterales.



Aviso de seguridad



Para reducir el riesgo de lesiones, el usuario debe leer y comprender el manual del usuario antes de utilizar este producto.



Utilizar protección ocular



Utilizar protección auditiva



Utilizar protección para la cabeza



Utilizar guantes de protección



Retroceso por contacto de la punta de la espada



Usar siempre la motosierra con las dos manos



Tener en cuenta en retroceso de la motosierra y evitar el contacto con la punta de la espada



Observe la información referente a la espada



Nivel de potencia acústica garantizado. La emisión de ruido al medio ambiente cumple la directiva de la Comunidad Europea.



Los productos eléctricos no deben eliminarse con la basura doméstica. Lívelos a un centro de reciclaje autorizado.



Este producto está en conformidad con las directivas de la CE aplicables.



Este producto está en conformidad con la legislación aplicable del Reino Unido.



Corriente continua

IPX4

Protección contra salpicaduras de agua

mm Milímetro

n_0 Velocidad sin carga

V Tensión

./min Por minuto

ESPECIFICACIONES

Tensión nominal	56 V
Máx. Velocidad de la cadena	20 m/s
Paso de cadena	1/4" (6,4 mm)
Calibre de la cadena	1,1 mm
Longitud de la espada	300 mm
Modelo de cadena de la sierra	AC1204Q (recomendado)
	AC1000Q (compatible)
Modelo de espada	AG1000Q (compatible)
Modelo de kit de cadena de sierra y espada	AK1204Q (recomendado)
Capacidad del depósito de aceite de la cadena	150 ml
Peso (sin batería, cadena de sierra, espada, tapa lateral, aceite y funda de cadena)	1,9 kg
Temperatura de funcionamiento recomendada	de -15 °C a 40 °C
Temperatura de almacenamiento recomendada	de -20 °C a 70 °C
Temperatura de carga recomendada	de 5 °C a 40 °C
Nivel de potencia acústica medido L_{WA}	97 dB(A)
	K=3,6 dB(A)
Nivel de presión acústica medido en la posición del usuario L_{PA}	89 dB(A)
	K=3 dB(A)
Nivel de potencia acústica garantizado L_{WA} (medido según 2000/14/CE)	101 dB(A)
Nivel de vibraciones a_h	Empuñadura delantera 2,64 m/s ² K=1,5 m/s ²
	Empuñadura trasera 2,05 m/s ² K=1,5 m/s ²

- El valor de vibración total ha sido medido de acuerdo con el método de prueba estándar y se puede utilizar para comparar herramientas;
- El valor total de vibración declarado se puede usar además en una evaluación preliminar del grado de exposición.

AVISO: Las vibraciones generadas durante el uso real de la herramienta eléctrica pueden diferir del valor declarado en función de la manera en que se utilice.

Como protección, el usuario debería utilizar guantes y protectores auditivos en condiciones reales de uso.

LISTA DE CONTENIDO (FIG. A1)

DESCRIPCIÓN

FAMILIARÍCESE CON SU MOTOSIERRA (fig. A1)

1. Espada
2. Cadena de la sierra
3. Palanca de freno de retroceso de la cadena
4. Empuñadura trasera
5. Empuñadura delantera
6. Mirilla de nivel de aceite
7. Tapón del depósito de aceite
8. Lengüeta de bloqueo
9. Gatillo interruptor
10. Botón de liberación de la batería
11. Tapa lateral
12. Tuerca de la espada
13. Tornillo de tensión de la cadena
14. Orificio de lubricación
15. Funda de la cadena
16. Colgador de cordón
17. Llave combinada

MONTAJE

MONTAJE Y SUSTITUCIÓN DE LA ESPADA Y LA CADENA

⚠ ADVERTENCIA: Asegúrese de quitar la batería antes de llevar a cabo cualquier operación de montaje o mantenimiento en la herramienta. De no observarse esta advertencia, podrían producirse lesiones físicas graves.

⚠ ADVERTENCIA: Ajuste la palanca del freno de retroceso de la cadena a la posición de frenado antes del montaje.

⚠ ADVERTENCIA: Utilice siempre guantes cuando manipule la espada o cadena, ya que estos elementos están muy afilados y podrían tener rebabas.

1. Ponga de lado el cabezal de la motosierra, con la tapa lateral hacia arriba (fig. B).
2. Retire la tapa lateral girando la tuerca de la espada en sentido antihorario.

3. Gire el tornillo de tensión de la cadena en sentido antihorario para aflojar la cadena.
4. Coloque la cadena cerrada de la sierra sobre una superficie plana y enderece cualquier doblez (fig. C).
5. Coloque los eslabones de arrastre de la cadena en el carril de la espada, y haga un bucle con la cadena en la parte trasera de la espada (fig. D).
6. Sujete la cadena en su sitio en la espada y pase el bucle alrededor del piñón de la sierra (fig. E1).

D-1	Eslabón de arrastre de la cadena	E-2	Bridas de alineación
D-2	Carril de la espada	E-3	Espiga de tensión de la cadena
E-1	Piñón de arrastre	E-4	Perno de sujeción

AVISO: Cuando enrolle la cadena de la sierra en la espada, asegúrese de que, después de montar la espada en la sierra, coincidan la orientación del elemento de corte con el icono del mismo y la flecha de sentido de rotación de la carcasa de la sierra (fig. E1). Si están orientadas en direcciones opuestas, vuelva a montar la cadena de la sierra en la espada, con los elementos de corte orientados en la misma dirección (fig. E2).

7. Coloque la espada en la superficie de montaje deslizando la ranura de la espada sobre las bridas de alineación. Asegúrese de que la espada esté colocada correctamente sobre el perno de sujeción y la espiga de tensión.
8. Vuelva a colocar la tapa lateral en la carcasa de la motosierra (fig. E3) y apriete completamente la tuerca de la espada.

AVISO: Durante el montaje y el mantenimiento, la placa metálica situada debajo de la espada (fig. F) puede levantarse. Si esto sucede, limpie completamente el espacio entre esta pieza de metal y la carcasa y empuje la placa metálica hacia atrás para que quede **al ras contra la carcasa**. Si no se limpia y coloca correctamente la placa metálica, la espada quedará desalineada.

9. Gire la cadena con la mano para comprobar si está bien montada y no se atasca. De lo contrario, vuelva a montar la cadena y la espada.

AVISO: Para prolongar la vida útil de la espada, gírela de vez en cuando.

CÓMO AJUSTAR DE LA TENSIÓN DE LA CADENA

34

- Pare el motor y quite la batería antes de ajustar la tensión de la cadena. Gire el tornillo de tensión de la cadena en sentido horario o antihorario para ajustar la tensión de la cadena (fig. F) hasta que la cadena quede bien asentada contra la espada con los eslabones de arrastre en la ranura de la espada.
- Una cadena fría estará correctamente tensada cuando no haya holgura en la parte inferior de la espada y la cadena quede ajustada en el carril, pero pueda seguir girándose a mano sin atorarse. La cadena debe volver a tensarse cada vez que las caras planas de los eslabones de arrastre no se asienten en el carril de la espada.
- La temperatura de la cadena aumenta durante el uso normal de la sierra. Los eslabones de una cadena caliente correctamente tensada colgarán aproximadamente 1-2 mm del carril de la espada (fig. G).

AVISO: Las nuevas cadenas tienden a estirarse al cabo de cierto tiempo. Compruebe la tensión de la cadena con frecuencia y ténsela cuando sea necesario.

AVISO: Tensar una cadena mientras está caliente puede hacer que quede demasiado tensada una vez que se haya enfriado. Compruebe la tensión en frío antes de su próxima utilización.

FUNCIONAMIENTO

⚠ ADVERTENCIA: No permita que el hecho de estar familiarizado con el producto le haga descuidarse. Recuerde que cualquier distracción de una fracción de segundo es suficiente para provocar lesiones graves.

⚠ ADVERTENCIA: No utilice piezas o accesorios no recomendados por el fabricante de este producto. La utilización de piezas o accesorios no recomendados puede provocar lesiones graves.

⚠ ADVERTENCIA: Para evitar cualquier puesta en marcha accidental que pudiera causar lesiones físicas graves, asegúrese siempre de quitar la batería de la herramienta antes de proceder al montaje de cualquier pieza, de hacer ajustes o de limpiar la herramienta, así como cuando no la utilice.

Antes de cada uso, examine todo el producto para ver si hay piezas dañadas, extraviadas o sueltas, como tornillos, tuercas, pernos, tapones, etc. Apriete bien todas las sujeciones y los tapones y no ponga en marcha el producto hasta haber reemplazado todas las piezas que falten o que estén dañadas.

APLICACIONES

Puede utilizar este producto para aplicaciones básicas de corte en árboles.

⚠️ ADVERTENCIA: No opere esta motosierra en un árbol a menos que haya recibido capacitación específica para hacerlo. Operar una motosierra en un árbol sin la capacitación adecuada podría aumentar el riesgo de lesiones personales graves.

AVISO: La máquina debe utilizarse únicamente para el fin previsto. Cualquier otro uso se considerará uso indebido.

LLENAR CON LUBRICANTE PARA ESPADA Y CADENA

⚠️ ADVERTENCIA: No fume ni acerque llamas vivas ni chispas cerca del aceite o la motosierra. El aceite podría derramarse y provocar un incendio.

AVISO: La motosierra no se suministra llena de aceite. Es esencial llenar de aceite el depósito antes de utilizarla. La cadena se lubrica automáticamente con aceite para cadenas durante el funcionamiento, si hay suficiente aceite en el depósito.

1. Ponga de lado la motosierra, con el tapón del depósito hacia arriba.
2. Limpie el tapón del depósito de aceite y la zona a su alrededor para asegurarse de que no penetre suciedad en el depósito.
3. Levante la placa semicircular y quite el tapón del depósito de aceite girándolo en sentido antihorario (fig. H).
4. Con cuidado, vierta aceite para cadenas y espadas en el depósito. Llene el depósito hasta alcanzar la parte inferior de la boca de llenado.
5. Limpie con un paño el exceso de aceite y vuelva a poner el tapón.

AVISO: Compruebe con frecuencia el nivel de aceite y rellénelo cuando esté por debajo de la línea del mínimo. Nunca utilice la motosierra si no puede verse aceite por la mirilla.

USO DEL OJAL DEL CORDÓN (fig. H)

⚠️ ADVERTENCIA: Cubra siempre la cadena de la sierra y la espada con la funda de la cadena cuando cuelgue la motosierra en un cinturón de herramientas. La cadena de la sierra está afilada y puede provocar lesiones graves.

⚠️ ADVERTENCIA: Asegúrese de que el cordón sea lo suficientemente fuerte para soportar el peso

combinado de la motosierra y la batería. Podrían producirse lesiones graves y daños materiales si la motosierra se cae.

INSTALACIÓN/RETIRADA DE LA BATERÍA

Utilice únicamente los modelos de baterías y cargadores de EGO indicados en la fig. A2.

Cargue totalmente la batería antes de usarla por primera vez.

Instalación

Alinee las nervaduras de la batería con las ranuras de montaje, e introduzca la batería presionándola hacia abajo hasta oír un «clic» (fig. I).

Retirada

Pulse el botón de liberación de la batería y saque la batería tirando de ella (fig. J).

⚠️ ADVERTENCIA: Para mantener un equilibrio cómodo durante el corte, utilice la herramienta únicamente con la batería BA1400/BA1400T.

PUESTA EN MARCHA/PARADA DE LA MOTOSIERRA

AVISO: Antes de poner en marcha la motosierra, compruebe el nivel de aceite, la tensión de la cadena, el afilado de los dientes de la cadena y el funcionamiento correcto de la palanca de freno de retroceso de la cadena. Además, debe mantener un buen equilibrio de los pies y una distancia al suelo adecuada.

Puesta en marcha (fig. K)

1. Tire de la palanca del freno de retroceso de la cadena hacia la empuñadura delantera, hasta la posición de funcionamiento (fig. K).
2. Sujete firmemente la empuñadura delantera con la mano **izquierda** y la empuñadura trasera con la mano **derecha**.

⚠️ ADVERTENCIA: Para evitar lesiones, utilice siempre la motosierra con la mano derecha agarrando la zona de agarre de la empuñadura trasera (fig. L).

3. Mueva la lengüeta de bloqueo hacia adelante y, a continuación, presione el gatillo interruptor para encender la sierra (fig. L).

L-1	Zona de agarre
-----	----------------

4. Suelte la lengüeta de bloqueo y continúe apretando el gatillo interruptor para seguir utilizando la sierra de manera continua.

5. Cuanto más se presione el gatillo, mayor será la velocidad de la cadena. Ajuste la velocidad en función de la tarea que vaya a realizar.

⚠ ADVERTENCIA: No intente poner en marcha la motosierra si la cadena está insertada en un corte.

ES

Parada

1. Aleje la motosierra de la zona de corte y, a continuación, suelte el gatillo para detener la motosierra.
2. Empuje la palanca del freno de retroceso de la cadena hacia adelante hasta su posición accionada para activar el freno de cadena (fig. K).

⚠ ADVERTENCIA: Asegúrese siempre de quitar la batería de la máquina durante cualquier pausa de trabajo y cuando haya finalizado la tarea.

AGARRE ADECUADO DE LAS EMPUÑADURAS (FIG. M)

- Utilice guantes antideslizantes para un mayor agarre y protección.
- Con la motosierra colocada sobre una superficie firme y plana, sujétela firmemente con ambas manos.
- Sujete siempre la empuñadura delantera con la mano izquierda y la empuñadura trasera con la mano derecha.
- Los dedos deberán envolver la empuñadura, con el pulgar replegado debajo de la empuñadura delantera.

⚠ ADVERTENCIA: Nunca sujete la motosierra con las manos colocadas al revés de lo indicado (como si fuera zurdo) ni en cualquier otra postura que pudiera colocar su cuerpo o brazo en la trayectoria de la línea de corte de la cadena.

⚠ ADVERTENCIA: No accione el gatillo interruptor con la mano izquierda y sujete la empuñadura delantera con la mano derecha. No deje nunca que ninguna parte de su cuerpo quede en la trayectoria de la línea de corte de la cadena cuando use una motosierra (fig. N).

POSTURA ADECUADA PARA CORTAR (FIG. O)

- Ambos pies deberán estar bien apoyados en suelo firme, con el peso repartido uniformemente entre ellos.
- El brazo izquierdo deberá estar extendido, con el codo bloqueado en posición. Esta postura contribuirá a contrarrestar las fuerzas generadas por el retroceso.
- Su cuerpo deberá quedar siempre a la izquierda de la línea de corte de la cadena.

TÉCNICAS DE CORTE COMUNES

⚠ ADVERTENCIA: Asegúrese siempre de mantener un buen equilibrio y sostener la motosierra firmemente con ambas manos mientras su motor esté en marcha.

⚠ ADVERTENCIA: Si la cadena se detiene porque se queda trabada durante el corte, suelte el gatillo interruptor, y saque la espada y la cadena de la ranura de corte antes de volver a poner en marcha la motosierra.

⚠ ADVERTENCIA: No tire de la cadena con la mano cuando esté bloqueada con serrín. Podrían producirse lesiones graves si la motosierra llegara a ponerse en marcha de manera fortuita. Presione la cadena contra la madera y desplace la motosierra hacia adelante y hacia atrás para descargar los residuos. Quite siempre la batería antes de limpiar la herramienta. Utilice guantes gruesos de protección cuando manipule la cadena.

⚠ ADVERTENCIA: Nunca ponga en marcha la motosierra mientras está en contacto con la madera. Espere siempre a que la motosierra alcance sus revoluciones máximas antes de acercar la cadena a la madera.

⚠ ADVERTENCIA: Esta motosierra de empuñadura superior no está diseñada para usarse en el suelo, por lo tanto, este manual no contiene instrucciones para talar, desramar o trozar árboles.

⚠ ADVERTENCIA: Estas instrucciones para corte en el árbol se aplican a esta motosierra con empuñadura superior, diseñada exclusivamente para aplicaciones de corte en el árbol por profesionales de servicio de árboles certificados y capacitados específicamente para hacerlo.

⚠ ADVERTENCIA: La tala por bloques puede provocar lesiones. Solo debe ser realizado por una persona capacitada.

⚠ ADVERTENCIA: Los usuarios primerizos deben practicar el corte de troncos en un caballete o en una cuna para troncos.

⚠ ADVERTENCIA: No trabaje en árboles con fuertes condiciones de viento.

⚠ ADVERTENCIA: Asegúrese de que todas las personas se hayan retirado de las inmediaciones del área de caída antes de iniciar la operación.

⚠ ADVERTENCIA: Manténgase siempre usted y su equipo alejados del material que se está retirando.

⚠ PRECAUCIÓN: Asegúrese de que la batería esté completamente cargada antes de trabajar en un árbol.

Poda (fig. P)

Siga los pasos que se indican a continuación para evitar dañar la corteza del árbol o arbusto. No sierre realizando un movimiento hacia delante y hacia atrás.

1. Haga un primer corte poco profundo (1/3 del diámetro de la rama) en la parte de abajo de la rama, cerca de la rama principal o el tronco.
2. Haga un segundo corte desde la parte de arriba de la rama, más hacia fuera que el primer corte. Continúe el corte a través de la rama hasta que se separe del árbol. Esté preparado para equilibrar el peso de la herramienta y asegúrese de alejarse ella antes de completar el corte.
3. Haga un corte final cerca del tronco.

Tala por bloques

Antes de realizar la tala por bloques, retire la corteza suelta, clavos, grapas y alambres del árbol donde se realizarán los cortes por bloques.

Corte direccional

Haga el corte direccional hasta una profundidad de 1/4 del diámetro del árbol y perpendicular a la dirección de caída según se muestra en la fig. Q. Haga primero el corte direccional horizontal inferior. Esto ayudará a evitar que la cadena o espada se traben en el corte al efectuar el segundo corte.

Q-1	Dirección de caída	Q-3	Corte trasero
Q-2	Hendidura	Q-4	Bisagra

Corte trasero

- Realice el corte trasero a la misma altura que el corte direccional horizontal como se muestra en la Figura Q. Mantenga el corte trasero paralelo al corte direccional horizontal. Haga el corte trasero a una profundidad tal que quede suficiente madera para actuar a modo de bisagra. La madera de la bisagra sujetará el árbol evitando que se tuerza y caiga en la dirección equivocada. No corte a través de la bisagra.
- A medida que el corte trasero se acerca a la bisagra, el árbol debería comenzar a caer. Si hay alguna posibilidad de que el árbol no vaya a caer en la dirección deseada o pueda inclinarse hacia atrás y trabar la cadena, interrumpa el corte trasero antes de completarlo y utilice cuñas de derribo de madera, plástico o aluminio para abrir el corte y obligar a que el árbol caiga a lo largo de la trayectoria de caída

deseada.

- Cuando el bloque del árbol comience a caer, retire la motosierra del corte, detenga el motor y active el freno de la cadena. Esté atento a las ramas que puedan caer y procure mantener el equilibrio.

MANTENIMIENTO

⚠ ADVERTENCIA: Cuando repare el aparato, utilice solo piezas idénticas a las originales. La utilización de otras piezas podría suponer un peligro o causar daños en el producto. Para garantizar la seguridad y fiabilidad de la herramienta, las reparaciones debe realizarse únicamente un técnico cualificado.

⚠ ADVERTENCIA: Para evitar lesiones físicas graves, quite siempre la batería del producto antes de proceder a examinarlo, limpiarlo o llevar a cabo cualquier tarea de mantenimiento. Una herramienta eléctrica que tenga instalada la batería siempre estará bajo tensión y podrá ponerse en marcha accidentalmente.

⚠ ADVERTENCIA: Al limpiar la motosierra, NO la sumerja en agua ni en ningún otro líquido.

⚠ ADVERTENCIA: No deje nunca que las piezas de plástico entren en contacto con líquido de frenos, gasolina, productos derivados del petróleo, aceites penetrantes, etc. Los productos químicos podrían dañar, debilitar o destruir el plástico, con el consiguiente riesgo de provocar lesiones graves.

LIMPIEZA

- Después de cada uso, limpie cualquier residuo o acumulación de material de la cadena y la espada utilizando un cepillo suave. Limpie la superficie de la motosierra con un paño limpio, humedecido con una solución de agua y detergente suave.
- Quite la tapa lateral y, a continuación, utilice un cepillo suave para eliminar residuos y acumulaciones de material de la espada, la cadena, el piñón y la tapa lateral.
- Limpie siempre las virutas de madera, serrín y suciedad acumulada en el carril de la espada cuando cambie la cadena.

MANTENIMIENTO DE LA ESPADA

Cuando observe signos de desgaste en la espada, desmóntela del conjunto de motor de la motosierra y vuelva a montarla en posición invertida (fig. R1). De este modo, el desgaste se repartirá y se maximizará la vida útil de la espada.

La espada deberá limpiarse tras cada día de utilización y examinarse por si presentase desgaste o daños. Los rebordes o rebabas presentes en el carril de la espada son un proceso normal de desgaste de la espada. Dichas anomalías deberán alisarse con una lima en cuanto se produzcan. Una espada que muestre cualquiera de las siguientes anomalías deberá sustituirse.

- Desgaste en el carril de la espada que permite a la cadena acostarse hacia los lados.
- Espada doblada o deformada.
- Carril con grietas o roturas.
- Carril ensanchado.

Además, la espada tiene un piñón en la punta (fig. R2). El piñón deberá lubricarse semanalmente utilizando una jeringa o pistola de engrase para así prolongar la vida útil de la espada. Utilice una jeringa o pistola de engrase para lubricarlo semanalmente con aceite para cadenas a través del orificio de lubricación (fig. R3). Gire la espada y compruebe que los orificios de lubricación y el carril de la cadena están libres de suciedad.

R-1	Piñón en la punta de la espada
R-2	Orificio de lubricación

TRANSPORTE Y ALMACENAMIENTO

- No almacene ni transporte la motosierra mientras está funcionando. Quite siempre la batería antes de guardar o transportar la herramienta.

- Coloque siempre la funda de la cadena sobre la espada y la cadena antes de guardar o transportar la motosierra. Tenga cuidado para evitar cortarse con los dientes afilados de la cadena.
- Transporte siempre el producto por la empuñadura delantera.
- Proteja el producto de cualquier impacto o vibración fuerte que pueda producirse durante el transporte en vehículos.
- Limpie bien la motosierra y vacíe el depósito de aceite antes de guardarla. Guarde la motosierra en interiores, en un lugar seco, cerrado bajo llave o inaccesible para los niños.
- Manténgalo apartado de agentes corrosivos, como productos químicos de jardinería y sal para deshielo.

PROTECCIÓN DEL MEDIO AMBIENTE



¡No elimine aparatos eléctricos, baterías usadas ni cargadores de baterías junto con los desperdicios domésticos!

Lleve este producto a un punto de reciclaje autorizado y deposítelo por separado según corresponda. Las herramientas eléctricas se deben llevar a un punto de reciclaje con fin de proteger el medio ambiente.

SOLUCIÓN DE PROBLEMAS

⚠ ADVERTENCIA: Proteja siempre sus manos utilizando guantes gruesos cuando lleve a cabo cualquier operación de mantenimiento en la cadena de la motosierra. Quite siempre la batería antes de guardar o transportar la motosierra.

ES

PROBLEMA	CAUSA	SOLUCIÓN
El motor no funciona.	<ul style="list-style-type: none"> ■ La batería no está insertada correctamente en la motosierra. ■ No hay contacto eléctrico entre la batería y la sierra. ■ La carga de la batería está agotada. ■ La batería o la motosierra se han sobrecalentado. ■ No ha presionado la lengüeta de bloqueo antes de apretar el gatillo interruptor. ■ Freno de cadena activado. ■ Cadena clavada en la madera. ■ Residuos en el carril de la espada. ■ Residuos acumulados en la tapa lateral. ■ Se utiliza una batería de 4,0 Ah o superior. 	<ul style="list-style-type: none"> ■ Inserte la batería correctamente en la motosierra. ■ Quite la batería, compruebe los contactos eléctricos y vuelva a instalarla. ■ Cargue la batería. ■ Deje que la batería o la motosierra se enfrien hasta que la temperatura descienda al rango de temperatura de funcionamiento recomendado. ■ Mantenga presionada hacia abajo la lengüeta de bloqueo y apriete el gatillo interruptor para poner en marcha la motosierra. ■ Tire hacia atrás de la palanca del freno de retroceso de la cadena hacia la empuñadura delantera, hasta la posición de funcionamiento. ■ Suelte el gatillo interruptor, retire la espada y la cadena del corte de la madera y vuelva a poner en marcha la motosierra. ■ Presione la cadena contra la madera y desplace la motosierra hacia adelante y hacia atrás para descargar los residuos. ■ Quite la batería y, a continuación, desmonte la tapa lateral y limpie los residuos. ■ Úselo únicamente con las baterías EGO de 2,5 Ah BA1400 y BA1400T.
La motosierra se detiene inesperadamente durante el funcionamiento.	<ul style="list-style-type: none"> ■ La motosierra se ha sobrecargado. ■ La batería o la motosierra se han sobrecalentado. ■ Cadena clavada en la madera. 	<ul style="list-style-type: none"> ■ Reduzca la carga. ■ Deje que la batería o la motosierra se enfrien hasta que la temperatura descienda al rango de temperatura de funcionamiento recomendado. ■ Suelte el gatillo interruptor, retire la espada y la cadena del corte de la madera y vuelva a poner en marcha la motosierra.
El motor funciona, pero la cadena no gira.	<ul style="list-style-type: none"> ■ La cadena no está engranada en el piñón de arrastre. 	<ul style="list-style-type: none"> ■ Quite la batería y vuelva a instalar la cadena, asegurándose de que los eslabones de arrastre de la cadena han engranado en los dientes del piñón.

PROBLEMA	CAUSA	SOLUCIÓN
El freno de cadena no se activa.	<ul style="list-style-type: none"> ■ Los residuos acumulados impiden el desplazamiento completo de la palanca del freno de retroceso de la cadena. ■ Posible avería del freno de cadena. 	<ul style="list-style-type: none"> ■ Limpie los residuos del mecanismo del freno de cadena exterior. ■ ¡Deje de utilizar la motosierra inmediatamente! Póngase en contacto con el servicio de atención al cliente de EGO para su reparación.
La motosierra no corta correctamente.	<ul style="list-style-type: none"> ■ Cadena destensada. ■ Cadena embotada. ■ Cadena instalada al revés. ■ Cadena desgastada. ■ Cadena seca o excesivamente estirada. ■ La cadena no está bien asentada en el carril de la espada. 	<ul style="list-style-type: none"> ■ Vuelva a ajustar la tensión de la cadena según se indica en el apartado titulado «CÓMO AJUSTAR LA TENSIÓN DE LA CADENA». ■ Afile la cadena. ■ Vuelva a instalar la cadena de la sierra, siguiendo el apartado «MONTAJE Y SUSTITUCIÓN DE LA ESPADA Y LA CADENA». ■ Sustituya la cadena según se indica en el apartado titulado «MONTAJE Y SUSTITUCIÓN DE LA ESPADA Y LA CADENA». ■ Compruebe el nivel de aceite. Si es necesario, rellene el depósito de aceite. ■ Vuelva a instalar la cadena según se indica en el apartado titulado «MONTAJE Y SUSTITUCIÓN DE LA ESPADA Y LA CADENA».
La cadena se afloja o cuelga de la espada durante el uso normal.	<ul style="list-style-type: none"> ■ La cadena se afloja a medida que se calienta durante el uso normal de la sierra. ■ La cadena no está engranada en el piñón de arrastre. 	<ul style="list-style-type: none"> ■ Tense la cadena siguiendo las indicaciones del apartado «CÓMO AJUSTAR LA TENSIÓN DE LA CADENA». ■ Vuelva a instalar la cadena según se indica en el apartado titulado «MONTAJE Y SUSTITUCIÓN DE LA ESPADA Y LA CADENA».
La espada y la cadena se calientan y emana humo.	<ul style="list-style-type: none"> ■ Compruebe la tensión de la cadena para ver si está demasiado tensa. ■ El depósito de aceite de cadena está vacío. ■ Residuos en el carril de la espada. 	<ul style="list-style-type: none"> ■ Vuelva a tensar la cadena de la sierra siguiendo las indicaciones del apartado «AJUSTE DE LA TENSIÓN DE LA CADENA». ■ Llene el depósito con lubricante para la espada y la cadena. ■ Presione la cadena contra la madera y desplace la motosierra hacia adelante y hacia atrás para descargar los residuos.

GARANTÍA

POLÍTICA DE GARANTÍA DE EGO

Visite la página web egopowerplus.eu para conocer los términos y condiciones completos de la política de garantía de EGO.

40

LEIA TODAS AS INSTRUÇÕES!



LEIA O MANUAL DO UTILIZADOR

AVISO: Para garantir a segurança e bom funcionamento, todas as reparações deverão ser efetuadas por um técnico de reparação qualificado.

AVISO: Certifique-se de que lê e compreende todos os avisos de segurança neste manual do utilizador, incluindo todos os símbolos de alerta de segurança, como “**PERIGO**”, “**AVISO**” e “**CUIDADO**” antes de usar esta ferramenta. Não seguir todas as instruções apresentadas abaixo pode resultar em choque elétrico, incêndio e/ou ferimentos graves.

GUARDE TODOS OS AVISOS E INSTRUÇÕES PARA FUTURAS REFERÊNCIAS.

PT

SÍMBOLOS DE SEGURANÇA

AVISO: O funcionamento de qualquer máquina pode dar origem ao ressalto de quaisquer objetos estranhos que podem ser atirados para os olhos, podendo dar origem a lesões oculares sérias. Antes de começar a utilizar a ferramenta elétrica, utilize sempre óculos de segurança com proteções laterais e uma proteção completa para a cara, quando necessário. Recomendamos a utilização de máscaras de segurança com visão panorâmica por cima dos óculos ou óculos de segurança padrão com proteção lateral.



Alerta de segurança



Use proteção ocular



Use proteção para a cabeça



Ressalto da ponta da barra de orientação



Tenha cuidado com os ressaltos da motosserra e evite contactar com a ponta da barra



Nível de potência do som garantido. Emissão de ruído para o ambiente de acordo com a diretiva da Comunidade Europeia.



Este produto encontra-se em conformidade com as diretivas CE aplicáveis.



Corrente direta

mm Milímetro

V Voltagem



Para reduzir o risco de ferimentos, o utilizador tem de ler e compreender o manual do utilizador antes de utilizar este produto.



Use proteção auditiva



Use luvas de proteção



Use sempre a motosserra com as duas mãos



Informação da barra de orientação



Os produtos elétricos residuais não deverão ser eliminados juntamente com o lixo doméstico comum. Entregue-os num centro de reciclagem autorizado.



Este produto encontra-se em conformidade com a legislação no Reino Unido.

IPX4 Proteção contra salpicos

n_0 Velocidade Sem Carga

./min Por minuto

CARACTERÍSTICAS TÉCNICAS

PT

Voltagem nominal	56V
Máx. Velocidade da corrente	20 m/s
Engate da corrente	1/4" (6,4 mm)
Extremidade da corrente	1,1 mm
Comprimento da barra de orientação	300 mm
Modelo de corrente da serra	AC1204Q (Recomendado)
	AC1000Q (Compatível)
Modelo da barra de orientação	AG1000Q (Compatível)
Modelo da corrente da serra e barra	AK1204Q (Recomendado)
Capacidade do depósito do óleo da corrente	150 ml
Peso (sem bateria, corrente da serra, barra de orientação, cobertura lateral, óleo e bainha da corrente)	1,9 kg
Temperatura de funcionamento recomendada	-15 °C - 40 °C
Temperatura de armazenamento recomendada	-20 °C - 70 °C
Temperatura de carregamento recomendada	5 °C - 40 °C
Nível de potência do som medido L_{WA}	97 dB(A) K=3,6 dB(A)
Nível de pressão do som na posição de trabalho L_{PA}	89 dB(A) K=3 dB(A)
Nível de potência do som garantido L_{WA} (de acordo com a 2000/14/CE)	101 dB(A)
Vibração a_h	Pega dianteira 2,64 m/s ² K=1,5 m/s ²
	Pega traseira 2,05 m/s ² K=1,5 m/s ²

- O valor total declarado da vibração foi medido de acordo com um método de teste padrão e pode ser usado para comparar duas ferramentas.
- O valor total declarado da vibração também pode ser usado numa avaliação preliminar da exposição.

AVISO: A emissão de vibrações durante a utilização da ferramenta elétrica pode diferir do valor declarado em que a ferramenta é usada. De modo a proteger o utilizador,

este deverá usar luvas e proteção auditiva nas condições atuais de utilização.

LISTA DE PEÇAS (IMAGEM A1)

DESCRIÇÃO

CONHEÇA A SUA MOTOSSERRA (Imagem A1)

1. Barra de orientação
2. Corrente da serra
3. Pá do travão de ressalto da corrente
4. Pega traseira
5. Pega dianteira
6. Janela de inspeção do óleo
7. Tampa do depósito do óleo
8. Trinco de fixação
9. Gatilho do interruptor
10. Botão de libertação da bateria
11. Cobertura lateral
12. Porca da barra
13. Parafuso de tensão
14. Orifício de lubrificação
15. Bainha da corrente
16. Suporte da correia
17. Chave combinada

MONTAGEM

MONTAR/SUBSTITUIR A BARRA E A CORRENTE

AVISO: Antes de efetuar qualquer montagem ou manutenção, certifique-se de que retira a bateria. Não seguir este aviso pode dar origem a ferimentos sérios.

AVISO: Ajuste a pá do travão de ressalto da corrente para a posição de travado antes da montagem.

AVISO: Use sempre luvas quando manusear a barra e a corrente. Estes componentes estão afiados e podem conter rebarbas.

1. Posicione a cabeça do motor da motosserra de lado com a cobertura lateral virada para cima (Imagem B).
2. Retire a cobertura lateral rodando a porca da barra no sentido inverso ao dos ponteiros do relógio.
3. Rode o parafuso de tensão no sentido inverso ao dos ponteiros do relógio para diminuir a tensão da corrente.

4. Coloque a corrente da serra num arco numa superfície plana e endireite quaisquer dobras (Imagem C).
5. Coloque os elos condutores da corrente na ranhura da barra de orientação e coloque a corrente em arco na parte traseira da barra de orientação (Imagem D).
6. Segure a corrente em posição na barra de orientação e coloque o arco à volta da roda dentada da serra (Imagem E1).

D-1	Elo condutor da corrente	E-2	Rebordos de alinhamento
D-2	Ranhura da barra de orientação	E-3	Cavilha de tensão
E-1	Roda dentada motriz	E-4	Parafuso de aperto

AVISO: Quando colocar a corrente da serra na barra de orientação, certifique-se de que, após montar a barra de orientação na serra, faz corresponder a orientação do cortador com o ícone do cortador e a seta de direção de rotação na estrutura da serra (Imagem E1). Se ficarem em direções opostas, volte a montar a corrente da serra na barra de orientação com os cortadores virados na mesma direção (Imagem E2).

7. Coloque a barra de orientação na superfície de montagem fazendo deslizar a ranhura da barra de orientação sobre os rebordos de alinhamento. Certifique-se de que a barra de orientação fica posicionada corretamente sobre o parafuso de aperto e a cavilha de tensão.
8. Volte a colocar a cobertura lateral na estrutura da motosserra (Imagem E3) e aperte por completo a porca da barra.

AVISO: Durante a montagem e manutenção, a placa de metal por baixo da barra de orientação (Imagem F) pode saltar. Se isto acontecer, limpe bem o espaço entre esta peça de metal e a estrutura e pressione a placa de metal de volta para o respetivo lugar, de modo a ficar **assente contra a estrutura**. Não limpar nem colocar corretamente a placa de metal dará origem ao desalinhamento da barra de orientação.

9. Rode a corrente com a mão para verificar se a corrente ficou corretamente montada sem dobras. Caso contrário, volte a montar a corrente e a barra.

AVISO: Para aumentar o tempo de vida útil da barra de orientação, inverta-a ocasionalmente.

AJUSTAR A TENSÃO DA CORRENTE

- Pare o motor e retire a bateria antes de ajustar a tensão da corrente. Rode o parafuso de tensão no sentido dos ponteiros do relógio ou no sentido inverso ao dos ponteiros do relógio para ajustar a tensão da corrente (Imagem F) até que a corrente fique bem assente contra a barra de orientação com os elos condutores na ranhura da barra de orientação.
- Uma serra fria tem a tensão correta quando não houver folga na parte inferior da barra de orientação, a serra estiver justa, mas conseguir girá-la à mão sem prender. A corrente tem de ser apertada novamente quando a superfície achatada nos elos condutores não assentar na ranhura da barra.
- Durante o funcionamento normal da serra, a temperatura da corrente aumenta. Os elos condutores de uma corrente quente com a tensão correta ficam pendurados a cerca de 1-2 mm fora da ranhura da barra (Imagem G).

AVISO: Serras novas têm tendência a esticar. Verifique frequentemente a tensão da serra e aperte sempre que necessário.

AVISO: Apertar uma serra enquanto esta estiver quente pode deixá-la demasiado apertada quando arrefecer. Verifique a tensão a frio antes da utilização seguinte.

FUNCIONAMENTO

⚠ AVISO: Não permita que a familiarização com este produto o torne descuidado. Lembre-se de que uma fração de segundo de desatenção é o suficiente para sofrer um ferimento sério.

⚠ AVISO: Não utilize quaisquer acessórios para além dos recomendados pelo fabricante deste produto. A utilização de acessórios que não sejam recomendados pode dar origem a ferimentos sérios.

⚠ AVISO: Para evitar a ligação acidental que pode provocar ferimentos pessoais graves, retire sempre a bateria da ferramenta quando montar as peças, fizer ajustes, proceder à limpeza ou quando não utilizar a ferramenta.

Antes de cada utilização, inspecione todo o produto quanto a peças danificadas, em falta ou soltas, como parafusos, porcas, tampas, etc. Aperte bem todos os fixadores e tampas e não utilize este produto até que todas as peças em falta ou danificadas sejam substituídas.

APLICAÇÕES

Pode usar este produto para aplicações básicas de cortes na árvore.

AVISO: Não utilize esta motosserra numa árvore, exceto se tiver sido especificamente treinado para o fazer. A utilização de uma motosserra numa árvore sem um treino adequado pode aumentar o risco de ferimentos sérios.

AVISO: A máquina tem de ser usada apenas conforme descrito. Qualquer outra utilização será considerada má utilização.

ADICIONAR LUBRIFICANTE À BARRA E À CORRENTE

AVISO: Não fume nem aproxime chamas do óleo ou da motosserra. O óleo pode ser derramado e causar um incêndio.

AVISO: A motosserra não vem com óleo na altura da compra. É essencial abastecer com óleo antes da utilização. A corrente é lubrificada automaticamente com óleo da corrente durante o funcionamento, caso haja óleo suficiente no depósito.

1. Posicione a motosserra de lado com a tampa do depósito virada para cima.
2. Limpe a tampa do depósito do óleo e a área em redor desta, para se certificar de que não entra lixo no depósito do óleo.
3. Levante a placa semicircular e rode a tampa do depósito do óleo no sentido inverso ao dos ponteiros do relógio para a retirar (Imagem H).
4. Deite cuidadosamente o óleo da barra e da serra no depósito. Encha até ao fundo do pescoço de enchimento.
5. Limpe o excesso de óleo e volte a colocar a tampa.

AVISO: Verifique frequentemente o nível do óleo e encha quando o nível descer abaixo da linha de mínimo. Nunca utilize a motosserra se o óleo não for visível.

USAR O ILHÓ DA CORREIA (Imagem H)

AVISO: Cubra sempre a motosserra e a barra de orientação com a bainha da corrente quando pendurar a motosserra numa correia para a ferramenta. A corrente da serra está afiada e pode causar ferimentos sérios.

AVISO: Certifique-se de que a correia é suficientemente resistente para suportar o peso combinado da motosserra e da bateria. Se a motosserra

cair, pode dar origem a ferimentos sérios e danos patrimoniais.

FIXAR/RETIRAR A BATERIA

Utilize apenas com as baterias e carregadores da EGO listados na Imagem A2.

Carregue por completo antes da primeira utilização.

Para fixar

Alinhe as abas da bateria com as ranhuras de fixação e empurre a bateria para baixo até ouvir um “clique” (Imagem I).

Para retirar

Prima o botão de libertação da bateria e puxe a bateria para fora (Imagem J).

AVISO: Para manter um equilíbrio confortável durante o corte, use apenas com a bateria BA1400/BA1400T.

LIGAR/DESLIGAR A MOTOSSERRA

AVISO: Antes de ligar a motosserra, verifique o nível do óleo, a tensão da corrente, se os dentes da serra estão afiados e se a pá do travão de ressalto está a funcionar corretamente. Adicionalmente, é necessário manter a distância correta do solo e uma base estável.

Iniciar (Imagem K)

1. Puxe a pá do travão do ressalto da corrente na direção da pega dianteira para a posição de funcionamento (Imagem K).
2. Segure bem a pega dianteira com a mão **esquerda** e a pega traseira com a mão **direita**.

AVISO: Para evitar ferimentos, use sempre a motosserra com a mão direita a segurar a área de prensão da pega traseira (Imagem L).

3. Mova o trinco de fixação para a frente e depois pressione o interruptor do gatilho para começar a serrar (Imagem L).

L-1	Área de prensão
-----	-----------------

4. Liberte o trinco de fixação e continue a premir o interruptor do gatilho para uma utilização prolongada.
5. Quanto mais premir o interruptor do gatilho, maior é a velocidade. Ajuste a velocidade para se adequar à tarefa a ser efetuada.

AVISO: Não tente ligar a motosserra quando a corrente da serra estiver num corte.

Parar

1. Afaste a motosserra da área de corte e liberte o interruptor do gatilho para parar a motosserra.
2. Pressione a pá do travão do ressalto da corrente para a frente para a posição de travagem para ativar o travão da corrente (Imagem K).

⚠ AVISO: Retire sempre a bateria da máquina durante pausas de trabalho e após terminar o trabalho.

SEGURAR CORRETAMENTE AS PEGAS (IMAGEM M)

- Use luvas antiderrapantes para um fixar e proteção máximos.
- Com a serra numa superfície firme e plana, segure firmemente a serra com ambas as mãos.
- Segure sempre a pega dianteira com a mão esquerda e a pega traseira com a mão direita.
- Os dedos deverão envolver a pega, com o polegar por baixo da pega dianteira.

⚠ AVISO: Nunca use uma pega para canhotos (mãos cruzadas) nem nunca coloque o seu corpo ou braço através da linha da corrente.

⚠ AVISO: Não opere o interruptor do gatilho com a mão esquerda nem segure a pega dianteira com a mão direita. Nunca permita que alguma parte do seu corpo esteja em linha com a corrente enquanto utiliza a motosserra (Imagem N).

POSIÇÃO ADEQUADA PARA O CORTE (IMAGEM O)

- Ambos os pés deverão estar em chão sólido, com o peso dividido uniformemente entre eles.
- O braço esquerdo deverá estar esticado, com o cotovelo apertado. Isto ajuda a aguentar as forças geradas pelo ressalto.
- O seu corpo deverá estar sempre do lado esquerdo da linha da corrente.

TÉCNICAS DE CORTE COMUNS

⚠ AVISO: Certifique-se sempre de que está estável e segure firmemente a motosserra com ambas as mãos quando o motor estiver a funcionar.

⚠ AVISO: Quando a corrente da serra parar por ter ficado presa durante o corte, deixe de premir o interruptor do gatilho. Retire a corrente da serra e a barra de orientação da madeira e volte a ligar a motosserra.

⚠ AVISO: Não puxe a corrente da serra com a mão quando estiver presa pela serradura. Podem

ocorrer ferimentos sérios se a motosserra se ligar acidentalmente. Pressione a motosserra contra a madeira, mova-a para a frente e para trás para retirar os resíduos. Retire sempre a bateria antes de proceder à limpeza. Use luvas de proteção resistentes quando montar a corrente da serra.

⚠ AVISO: Nunca ligue a motosserra quando estiver em contacto com a madeira. Deixe a motosserra atingir a velocidade máxima antes de entrar em contacto com a madeira.

⚠ AVISO: Esta motosserra com pega superior não foi criada para ser usada no chão. Assim, este manual não contém instruções para o abate de árvores, desbravar e podar.

⚠ AVISO: Estas instruções para quando se encontrar em cima da árvore aplicam-se a esta motosserra com pega superior, criada exclusivamente para aplicações de corte em cima da árvore por profissionais de serviços em árvores treinados especificamente para o fazer.

⚠ AVISO: Um derrube do tronco pode dar origem a ferimentos. Isso só pode ser feito por uma pessoa com formação.

⚠ AVISO: Se utilizar a motosserra pela primeira vez, pratique um pouco a cortar troncos num cavalete.

⚠ AVISO: Não trabalhe em árvores com ventos fortes.

⚠ AVISO: Certifique-se de que outras pessoas se encontram afastadas da área de abate antes de começar a operação.

⚠ AVISO: Mantenha-se sempre, e ao equipamento, afastado do material a ser retirado.

⚠ CUIDADO: Certifique-se de que a bateria está totalmente carregada antes de trabalhar numa árvore.

Podar (Imagem P)

Siga os passos apresentados a seguir para evitar danos na árvore ou descascar arbustos. Não utilize um movimento de serrar para a frente e para trás.

1. Faça primeiro um corte superficial (1/3 do diâmetro do ramo) na parte inferior do ramo, perto do ramo principal ou tronco.
2. Faça um segundo corte a partir do lado de cima do ramo, de forma afastada do primeiro corte. Continue o corte através do ramo, até que este se separe da árvore. Esteja preparado para equilibrar o peso da

ferramenta, e certifique-se de que se afasta antes de completar o corte.

3. Faça um corte final no tronco.

Derrube do tronco

Antes do derrube do tronco, retire cascas soltas, pregos, agrafos e arames da árvore onde vai fazer os cortes de derrube.

PT

Corte de entalhe inferior

Faça o entalhe 1/4 do diâmetro da árvore, perpendicular à direção da queda, conforme indicado na Imagem Q. Faça primeiro o entalhe horizontal inferior. Isto ajuda a evitar que a corrente da serra ou a barra de orientação fiquem presas quando efetuar o segundo entalhe.

Q-1	Direção da queda	Q-3	Corte traseiro
Q-2	Entalhe	Q-4	Articulação

Corte traseiro

- Faça o corte traseiro com a mesma altura que o corte de entalhe horizontal, conforme apresentado na Imagem Q. Mantenha o corte traseiro paralelo ao corte de entalhe horizontal. Faça o corte traseiro de modo a deixar madeira suficiente para agir como articulação. A madeira que serve de articulação impede a árvore de torcer e cair na direção errada. Não corte a parte que serve de articulação.
- À medida que o corte traseiro se aproxima da articulação, a árvore deve começar a cair. Se houver a possibilidade de a árvore não cair na direção desejada ou oscilar para trás e prender a motosserra, pare o corte antes de terminar o corte traseiro e use calços de madeira, plástico ou alumínio para abrir o corte e fazer a árvore cair ao longo da linha desejada de queda.
- Quando o bloco da árvore começar a cair, retire a motosserra do corte, pare o motor e ative o travão da corrente. Esteja atento a ramos por cima de si que estejam a cair, e mantenha uma base estável para os pés.

MANUTENÇÃO

⚠ AVISO: Quando fizer reparações, utilize apenas peças sobresselentes idênticas. A utilização de outras peças pode constituir um perigo ou provocar danos no produto. Para garantir a segurança e bom funcionamento, todas as reparações deverão ser efetuadas por um técnico de reparação qualificado.

⚠ AVISO: Para evitar ferimentos sérios, retire sempre a

bateria do produto antes de proceder à inspeção, limpeza ou manutenção. Uma ferramenta que funcione a bateria e que tenha a bateria inserida está sempre ligada e pode começar a funcionar acidentalmente.

⚠ AVISO: Quando limpar a motosserra, NÃO a coloque dentro de água ou de outros líquidos.

⚠ AVISO: Nunca permita que o líquido dos travões, gasolina, produtos à base de petróleo, óleos penetrantes, etc., entrem em contacto com as peças de plástico. Os químicos podem danificar, enfraquecer ou destruir o plástico, o que pode dar origem a ferimentos sérios.

LIMPEZA

- Após cada utilização, limpe os resíduos da corrente e barra de orientação com uma escova suave. Limpe a superfície da motosserra com um pano limpo embebido numa solução neutra de sabão.
- Retire a cobertura lateral e depois use uma escova suave para retirar os resíduos da barra de orientação, corrente da serra, roda dentada e cobertura lateral.
- Limpe sempre as lascas, serradura e sujidade da ranhura da barra de orientação quando voltar a colocar a corrente da serra.

MANUTENÇÃO DA BARRA DE ORIENTAÇÃO

Quando a barra de orientação apresentar sinais de desgaste, desmonte-a da cabeça do motor da motosserra e vire-a para a voltar a montar (Imagem R1). Nesse caso, irá redistribuir o desgaste, para um tempo máximo de vida da barra.

A barra deverá ser limpa todos os dias em que for utilizada e verificada quanto a desgaste ou danos. Empenos ou rebarbas das calhas da barra são um processo normal do desgaste da barra. Tais falhas deverão ser reparadas com recurso a uma lima, mal aconteçam. Uma barra com qualquer uma das seguintes falhas deverá ser substituída.

- Desgaste dentro das calhas da barra que permita à corrente ficar virada de lado.
- Barra de orientação dobrada.
- Calhas rachadas ou partidas.
- Calhas separadas.

Além disso, a barra de orientação tem uma roda dentada na ponta (Imagem R2). A roda dentada tem de ser lubrificada todas as semanas com uma seringa de lubrificação para aumentar o tempo de vida útil da barra de orientação. Utilize uma seringa de lubrificação para lubrificar semanalmente com óleo de corrente através do orifício de lubrificação (Imagem R3). Vire a

barra de orientação e certifique-se de que os orifícios de lubrificação e a ranhura da corrente não têm impurezas.

R-1	Roda dentada na ponta da barra de orientação
R-2	Orifício de lubrificação

TRANSPORTE E ARMAZENAMENTO

- Não guarde nem transporte a motosserra a funcionar. Retire sempre a bateria antes de guardar ou transportar.
- Coloque sempre a cobertura da corrente na barra de orientação e na corrente antes de guardar ou transportar a motosserra. Tenha cuidado para evitar os dentes afiados da corrente.
- Transporte sempre o produto pela pega dianteira.
- Proteja o produto de qualquer impacto forte ou vibrações fortes que possam ocorrer durante o transporte em veículos.

- Limpe bem a motosserra e esvazie o depósito do óleo antes de guardar. Guarde a motosserra no interior, num local seco fechado e/ou inacessível às crianças.
- Mantenha afastado de agentes corrosivos, como químicos de jardinagem e sais de degelo.

PROTEJA O AMBIENTE



Não elimine equipamento elétrico, bateria gasta nem carregador juntamente com o lixo doméstico comum!

Leve este produto a um centro de reciclagem autorizado para que possa haver uma separação das peças. As ferramentas elétricas têm de ser devolvidas em instalações de reciclagem ambientalmente compatíveis.

PT

RESOLUÇÃO DE PROBLEMAS

⚠️ AVISO: Proteja sempre as mãos usando luvas resistentes quando efetuar qualquer manutenção na corrente da serra. Retire sempre a bateria quando reparar ou transportar a motosserra.

PT

PROBLEMA	CAUSA	SOLUÇÃO
A motosserra pára de funcionar inesperadamente durante o trabalho.	<ul style="list-style-type: none"> ■ A bateria não foi colocada na motosserra. ■ Não existe contacto elétrico entre a motosserra e a bateria. ■ A bateria está gasta. ■ A bateria ou motosserra está muito quente. ■ O trinco de fixação não foi pressionado antes de premir o interruptor do gatilho. ■ O travão da corrente está ativado. ■ A corrente da serra ficou presa na madeira. ■ Existem resíduos na ranhura da barra. ■ Existem resíduos na cobertura lateral. ■ Foi usada uma bateria de 4.0Ah ou Ah superior. 	<ul style="list-style-type: none"> ■ Fixe a bateria na motosserra. ■ Retire a bateria, verifique os contactos e volte a instalar a bateria. ■ Carregue a bateria. ■ Deixe a bateria ou a motosserra arrefecer até que a temperatura desça para uma temperatura de funcionamento recomendada. ■ Prima o trinco de fixação e mantenha premido, depois prima o interruptor do gatilho para ligar a motosserra. ■ Puxe a pá do travão do travão de ressalto da corrente para trás na direção da pega dianteira para a posição de funcionamento. ■ Liberte o interruptor do gatilho. Retire a corrente da serra e a barra de orientação da madeira, depois volte a ligar a motosserra. ■ Pressione a motosserra contra a madeira, mova-a para a frente e para trás para retirar os resíduos. ■ Retire a bateria, depois retire a cobertura lateral e limpe os resíduos. ■ Utilize apenas com baterias EGO 2.5 Ah BA1400 e BA1400T.
Chain saw stops unexpectedly during operation.	<ul style="list-style-type: none"> ■ A motosserra está sobrecarregada. ■ A bateria ou motosserra está muito quente. ■ A corrente da serra ficou presa na madeira. 	<ul style="list-style-type: none"> ■ Diminua a carga. ■ Deixe a bateria ou a motosserra arrefecer até que a temperatura desça para uma temperatura de funcionamento recomendada. ■ Liberte o interruptor do gatilho. Retire a corrente da serra e a barra de orientação da madeira, depois volte a ligar a motosserra.
O motor funciona, mas a corrente não roda.	<ul style="list-style-type: none"> ■ A corrente não encaixa na roda dentada motriz. 	<ul style="list-style-type: none"> ■ Retire a bateria e volte a instalar a corrente, certificando-se de que os elos condutores na corrente estão completamente assentes na roda dentada.

PROBLEMA	CAUSA	SOLUÇÃO
O travão da corrente não funciona.	<ul style="list-style-type: none"> ■ Os resíduos impedem o movimento completo da pá do travão do ressalto da corrente. ■ Possível mau funcionamento do travão da corrente. 	<ul style="list-style-type: none"> ■ Limpe os resíduos do mecanismo externo do travão da corrente. ■ Pare imediatamente de usar a motosserra! Contacte o serviço de apoio ao cliente da EGO para proceder à reparação.
A motosserra não corta corretamente.	<ul style="list-style-type: none"> ■ Tensão da corrente insuficiente. ■ A corrente não está afiada. ■ A corrente foi instalada para trás. ■ Corrente gasta. ■ Corrente seca ou excessivamente esticada. ■ A corrente não se encontra na ranhura da barra. 	<ul style="list-style-type: none"> ■ Volte a ajustar a tensão da corrente, tendo em conta a secção: “AJUSTAR A TENSÃO DA CORRENTE”. ■ Afie a corrente. ■ Volte a colocar a corrente da serra, de acordo com a secção “MONTAR/SUBSTITUIR A BARRA E A CORRENTE”. ■ Substitua a corrente, tendo em conta a secção: “MONTAR/SUBSTITUIR A BARRA E A CORRENTE”. ■ Verifique o nível do óleo. Encha o depósito do óleo, se necessário. ■ Volte a colocar a corrente da serra, tendo em conta a secção: “MONTAR/SUBSTITUIR A BARRA E A CORRENTE”.
A corrente fica solta ou descai da barra de orientação durante uma utilização normal.	<ul style="list-style-type: none"> ■ A corrente fica solta à medida que a temperatura da corrente aumenta durante um funcionamento normal da serra. ■ A corrente não encaixa na roda dentada motriz. 	<ul style="list-style-type: none"> ■ Aperte a tensão da corrente de acordo com a secção “AJUSTAR A TENSÃO DA CORRENTE”. ■ Volte a colocar a corrente da serra, tendo em conta a secção: “MONTAR/SUBSTITUIR A BARRA E A CORRENTE”.
A barra e a serra ficam quentes e deitam fumo.	<ul style="list-style-type: none"> ■ Verifique se a corrente foi demasiado apertada. ■ O depósito do óleo da corrente está vazio. ■ Existem resíduos na ranhura da barra de orientação. 	<ul style="list-style-type: none"> ■ Volte a apertar a corrente da serra de acordo com a secção “AJUSTAR A TENSÃO DA CORRENTE”. ■ Encha o depósito com lubrificante para a barra e corrente. ■ Pressione a motosserra contra a madeira, mova-a para a frente e para trás para retirar os resíduos.

GARANTIA

POLÍTICA DE GARANTIA EGO

Visite o website egopowerplus.eu para os termos e condições completos da política de garantia da EGO.

LEGGERE TUTTE LE ISTRUZIONI!



LEGGERE IL MANUALE DI ISTRUZIONI

⚠ AVVERTENZA! Per garantire sicurezza e affidabilità, tutte le operazioni di riparazione e sostituzione devono essere effettuate da un tecnico qualificato.

IT

⚠ AVVERTENZA! Accertarsi di aver letto e compreso tutte le istruzioni di sicurezza in questo manuale, inclusi tutti i simboli di avvertenza come "PERICOLO", "AVVERTENZA" e "ATTENZIONE", prima di usare l'apparecchio. Il mancato rispetto di tutte le istruzioni elencate di seguito comporta il rischio di scossa elettrica, incendio e/o lesioni gravi.

CONSERVARE TUTTE LE AVVERTENZE E LE ISTRUZIONI PER FUTURO RIFERIMENTO.

SIMBOLI DI SICUREZZA

⚠ AVVERTENZA! L'uso di apparecchi elettrici può causare il lancio di oggetti estranei verso l'operatore, con il rischio di lesioni gravi agli occhi. Durante l'uso dell'apparecchio, indossare sempre occhiali protettivi o occhiali di sicurezza con protezioni laterali e, se necessario, una maschera facciale. Si raccomanda di indossare una maschera di sicurezza con ampio campo visivo sopra gli occhiali o occhiali di sicurezza standard con protezioni laterali.



Avvertenza di sicurezza



Per ridurre il rischio di infortuni, l'operatore deve leggere e comprendere tutte le istruzioni prima di usare questo prodotto.



Indossare protezioni per gli occhi



Indossare protezioni per le orecchie



Indossare protezioni per la testa



Indossare guanti protettivi



Contraccolpo della punta della barra guida



Impugnare la motosega con entrambe le mani



Prestare attenzione al rischio di contraccolpo ed evitare il contatto con la punta della barra guida della motosega



Informazioni sulla barra guida



Livello di potenza sonora garantito. Emissione acustica ambientale ai sensi della direttiva dell'Unione europea.



Gli apparecchi elettrici non devono essere smaltiti insieme ai rifiuti domestici. Portarli presso un centro di riciclaggio autorizzato.



Questo prodotto è conforme alle direttive europee applicabili.



Questo prodotto è conforme alle direttive britanniche applicabili.



Corrente continua

IPX4

Protezione da schizzi d'acqua

mm Millimetro

n_0 Velocità a vuoto

V Tensione

./min Al minuto

SPECIFICHE TECNICHE

Tensione nominale	56 V	
Velocità max. della catena	20 m/s	
Partitura della catena	1/4" (6,4 mm)	
Larghezza della scanalatura	1,1 mm	
Lunghezza della barra guida	300 mm	
Modello della catena	AC1204Q (Raccomandato)	
	AC1000Q (Compatibile)	
Modello della barra guida	AG1000Q (Compatibile)	
Modello del kit barra e catena	AK1204Q (Raccomandato)	
Capacità del serbatoio dell'olio	150 ml	
Peso (senza gruppo batteria, catena, barra guida, copertura laterale, olio e coprilama)	1,9 kg	
Temperatura di funzionamento raccomandata	Da -15°C a 40°C	
Temperatura di conservazione raccomandata	Da -20°C a 70°C	
Temperatura di ricarica raccomandata	Da 5°C a 40°C	
Livello di potenza sonora misurato L_{WA}	97 dB(A)	
	K=3,6 dB(A)	
Livello di pressione sonora a livello dell'operatore L_{PA}	89 dB(A)	
	K=3 dB(A)	
Livello di potenza sonora garantito L_{WA} (misurato conformemente a 2000/14/EC)	101 dB(A)	
Vibrazioni a_h	Impugnatura anteriore	2,64 m/s ² K=1,5 m/s ²
	Impugnatura posteriore	2,05 m/s ² K=1,5 m/s ²

- Il valore totale di emissione delle vibrazioni dichiarato è stato misurato con un metodo di valutazione standard e può essere utilizzato per confrontare l'apparecchio con altri prodotti analoghi.
- Il valore totale di emissione delle vibrazioni dichiarato può essere utilizzato anche per una valutazione preliminare dei livelli di esposizione.

NOTA: il valore di emissione delle vibrazioni durante l'uso effettivo dell'apparecchio può variare rispetto al valore totale dichiarato in base alla modalità di utilizzo

dell'apparecchio. Per proteggersi, l'operatore deve indossare guanti e dispositivi di protezione per le orecchie in base alle condizioni di utilizzo effettive.

CONTENUTO DELL'IMBALLAGGIO (FIG. A1)

DESCRIZIONE

DESCRIZIONE DELLA MOTOSEGA (Fig. A1)

1. Barra guida
2. Catena
3. Leva del freno catena anti-contraccolpo
4. Impugnatura posteriore
5. Impugnatura anteriore
6. Finestra di ispezione dell'olio
7. Tappo del serbatoio dell'olio
8. Linguetta di bloccaggio
9. Interruttore a grilletto
10. Pulsante di rilascio della batteria
11. Copertura laterale
12. Dado della barra
13. Vite di tensione della catena
14. Foro di lubrificazione
15. Coprilama
16. Attacco per laccio
17. Chiave combinata

IT

ASSEMBLAGGIO

ASSEMBLAGGIO/SOSTITUZIONE DELLA BARRA E DELLA CATENA

⚠ AVVERTENZA! Prima di effettuare qualsiasi operazione di assemblaggio o manutenzione, assicurarsi di rimuovere il gruppo batteria. Il mancato rispetto di questa avvertenza comporta il rischio di lesioni gravi.

⚠ AVVERTENZA! Portare la leva del freno catena anti-contraccolpo in posizione di attivazione prima dell'assemblaggio.

⚠ AVVERTENZA! Indossare guanti durante la manipolazione della barra e della catena perché sono affilate e possono presentare bavature.

1. Posizionare l'unità motore della motosega su un fianco, con la copertura laterale rivolta verso l'alto (Fig. B).

2. Rimuovere la copertura laterale ruotando il dado della barra in senso antiorario.
3. Ruotare la vite di tensione della catena in senso antiorario per allentare la catena.
4. Disporre la catena ad anello su una superficie piana, raddrizzando eventuali pieghe (Fig. C).
5. Posizionare le maglie di trascinamento nella scanalatura della barra guida e posizionare la catena in modo tale che formi un anello alla fine della barra guida (Fig. D).
6. Tenere la catena in posizione sulla barra guida e posizionare l'anello intorno al pignone della motosega (Fig. E1).

D-1	Maglia di trascinamento	E-2	Flange di allineamento
D-2	Scanalatura della barra guida	E-3	Perno di tensione della catena
E-1	Pignone	E-4	Bullone di fissaggio

NOTA: durante l'avvolgimento della catena sulla barra guida, accertarsi che, dopo aver installato la barra guida sulla motosega, l'orientamento dei denti corrisponda al simbolo del dente e della direzione di rotazione riportato sull'unità motore (Fig. E1). Se i denti sono orientati in direzione opposta, rimuovere la catena e avvolgerla intorno alla barra guida in modo tale che le frecce siano rivolte nella stessa direzione. (Fig. E2).

7. Posizionare la barra guida sulla superficie di fissaggio facendo scorrere la fessura della barra guida sopra le flange di allineamento. Assicurarsi che la barra guida sia posizionata correttamente sopra il bullone di fissaggio e il perno di tensione della catena.
8. Riposizionare la copertura laterale sulla motosega (Fig. E3) e serrare completamente il dado della barra.

NOTA: durante le operazioni di assemblaggio e manutenzione, la piastra metallica sotto la barra guida (Fig. F) potrebbe fuoriuscire. In tal caso, pulire accuratamente lo spazio tra la piastra metallica e la superficie di fissaggio e spingere la piastra metallica affinché sia **a filo con la superficie**. Se la piastra metallica non è pulita e posizionata correttamente, la barra guida sarà disallineata.

9. Ruotare la catena manualmente per assicurarsi che sia installata correttamente e non si inceppi. In caso contrario, reinstallare la barra e la catena.

NOTA: per estendere la durata di vita della barra guida, invertirla di tanto in tanto.

REGOLAZIONE DELLA TENSIONE DELLA CATENA

- Arrestare il motore e rimuovere il gruppo batteria prima di regolare la tensione della catena. Ruotare la vite di tensione della catena in senso orario o antiorario (Fig. F) finché la catena non aderisce alla barra guida con le maglie di trascinamento nella scanalatura della barra.
- Una catena fredda è tesa correttamente quando la catena è aderente alla parte inferiore della barra, ma è possibile ruotarla a mano senza piegarla. È necessario regolare nuovamente la tensione della catena quando la parte superiore delle maglie di trascinamento non rimangono nella scanalatura della barra.
- Durante il normale funzionamento della motosega, la temperatura della catena aumenta. Le maglie di trascinamento di una catena calda tesa correttamente pendono di circa 1-2 mm dalla scanalatura della barra guida (Fig. G).

NOTA: le catene nuove tendono ad allungarsi; controllare la tensione della catena frequentemente.

NOTA: una catena che viene tesa mentre è calda può diventare troppo stretta quando si raffredda. Controllare la tensione a freddo prima del successivo utilizzo.

UTILIZZO

AVVERTENZA! La familiarità con questo prodotto non deve rendere l'operatore disattento. Anche un solo momento di disattenzione comporta il rischio di lesioni gravi.

AVVERTENZA! Non usare accessori non raccomandati dal costruttore del prodotto. L'uso di accessori non raccomandati comporta il rischio di lesioni gravi.

AVVERTENZA! Per evitare l'avvio accidentale e il conseguente rischio di lesioni gravi, rimuovere sempre il gruppo batteria dall'apparecchio prima di regolarlo, pulirlo, assemblare i componenti e quando non è in uso.

Prima di ogni utilizzo, ispezionare l'intero prodotto per verificare che nessun elemento sia mancante e non siano presenti componenti danneggiati o allentati, ad esempio viti, bulloni, cappucci, ecc. Serrare saldamente tutti i dispositivi di fissaggio e non usare l'apparecchio finché tutti i componenti mancanti o danneggiati non vengono sostituiti.

APPLICAZIONI

Questo prodotto è progettato per effettuare semplici operazioni di potatura.

⚠ AVVERTENZA! Non usare questa motosega su un albero se non si è competenti. Se l'operatore non è competente, l'uso della motosega su un albero aumenta il rischio di lesioni gravi.

NOTA: usare l'apparecchio esclusivamente per gli scopi previsti. Altri utilizzi sono da considerarsi impropri.

AGGIUNTA DEL LUBRIFICANTE PER BARRA E CATENA

⚠ AVVERTENZA! Non fumare in prossimità dell'olio o della motosega e non avvicinare fonti di fuoco o fiamme. L'olio può fuoriuscire e causare un incendio.

NOTA: la motosega è priva di olio al momento dell'acquisto. È essenziale riempire il serbatoio con l'olio prima dell'uso. La catena viene automaticamente lubrificata con l'olio durante l'uso, purché il serbatoio sia sufficientemente pieno.

1. Posizionare la motosega su un lato, con il tappo del serbatoio dell'olio rivolto in avanti.
2. Pulire il tappo del serbatoio dell'olio e l'area circostante per evitare che la sporcizia penetri all'interno del serbatoio.
3. Sollevare la piastra semicircolare e ruotare il tappo del serbatoio dell'olio in senso antiorario per rimuoverlo (Fig. H).
4. Versare con attenzione l'olio per barra e catena nel serbatoio. Riempirlo fino alla parte inferiore del collo di riempimento.
5. Rimuovere eventuali eccedenze d'olio e riposizionare il tappo.

NOTA: controllare frequentemente la quantità di olio e riempire il serbatoio quando il livello dell'olio è inferiore alla linea minima. Non usare la motosega se l'olio non è visibile.

ATTACCO PER LACCIO (Fig. H)

⚠ AVVERTENZA! Coprire la catena e la barra guida con il coprilama quando la motosega è agganciata a una cintura portautensili. La catena è affilata e può causare lesioni gravi.

⚠ AVVERTENZA! Assicurarsi che il laccio sia sufficientemente robusto da sostenere il peso combinato della motosega e del gruppo batteria. La

caduta della motosega può causare lesioni gravi e danni materiali.

INSTALLAZIONE/RIMOZIONE DEL GRUPPO BATTERIA

Usare il prodotto esclusivamente con i gruppi batteria e caricabatteria EGO elencati in Fig. A2.

Ricaricare completamente la batteria prima del primo utilizzo.

Installazione

Allineare i rilievi sul gruppo batteria con le scanalature di fissaggio e premere il gruppo batteria fino al "clic" (Fig. I).

Rimozione

Premere il pulsante di rilascio della batteria ed estrarre il gruppo batteria (Fig. J).

⚠ AVVERTENZA! Per mantenere una postura confortevole durante il taglio, usare esclusivamente il gruppo batteria BA1400/BA1400T.

AVVIO/ARRESTO DELLA MOTOSEGA

NOTA: prima di avviare la motosega, controllare il livello dell'olio, la tensione della catena, l'affilatura dei denti di taglio e il corretto funzionamento della leva del freno catena. Assumere una postura stabile e mantenere una corretta distanza dal terreno.

Avvio (Fig. K)

1. Spingere la leva del freno catena anti-contraccolpo verso l'impugnatura anteriore in posizione operativa (Fig. K).
2. Afferrare saldamente l'impugnatura anteriore con la mano **sinistra** e l'impugnatura posteriore con la mano **destra**.

⚠ AVVERTENZA! Per evitare il rischio di lesioni, usare la motosega afferrando l'area di presa dell'impugnatura posteriore con la mano destra (Fig. L).

3. Spingere la levetta di bloccaggio in avanti e premere l'interruttore a grilletto per avviare la motosega (Fig. L).

L-1	Area di presa
-----	---------------

4. Rilasciare la levetta di bloccaggio e continuare a premere l'interruttore per il funzionamento continuo.
5. Maggiore è la pressione sull'interruttore, maggiore è la velocità della catena. Regolare la velocità in base al lavoro da svolgere.

⚠ AVVERTENZA! Non tentare di avviare la motosega quando la catena è all'interno di un taglio.

Arresto

1. Allontanare la motosega dall'area di taglio, quindi rilasciare l'interruttore a grilletto per arrestarla.
2. Spingere la leva del freno catena anti-contraccolpo in avanti per attivare il freno catena (Fig. K).

IT

⚠ AVVERTENZA! Rimuovere il gruppo batteria dall'apparecchio durante le pause e al termine del lavoro.

PRESA CORRETTA SULLE IMPUGNATURE (Fig. M)

- Indossare guanti antiscivolo per la massima aderenza e protezione.
- Con i piedi su una superficie solida e piana, impugnare saldamente la motosega con entrambe le mani.
- Afferrare saldamente l'impugnatura anteriore con la mano sinistra e l'impugnatura posteriore con la mano destra.
- Le dita devono avvolgere l'impugnatura, con il pollice al di sotto dell'impugnatura anteriore.

⚠ AVVERTENZA! Non usare mai una presa mancina (a mani invertite) e non assumere mai posizioni in cui il corpo o il braccio si trovano oltre la linea della catena.

⚠ AVVERTENZA! Non premere l'interruttore a grilletto con la mano sinistra e non tenere l'impugnatura anteriore con la mano destra. Non tenere alcuna parte del corpo lungo la linea della catena durante l'uso della motosega (Fig. N).

POSIZIONE DI TAGLIO CORRETTA (Fig. O)

- Entrambi i piedi devono poggiare su un terreno solido, con il peso distribuito uniformemente tra di essi.
- Il braccio sinistro deve essere teso, con il gomito bloccato, per poter resistere alle forze generate dal contraccolpo.
- Il corpo deve sempre trovarsi a sinistra della linea della catena.

TECNICHE DI TAGLIO COMUNI

⚠ AVVERTENZA! Assumere una postura stabile e afferrare saldamente la motosega con entrambe le mani mentre il motore è in funzione.

⚠ AVVERTENZA! Se la catena della motosega si arresta durante il taglio perché si è inceppata, rilasciare l'interruttore a grilletto; rimuovere la catena e la barra guida dal legno, quindi riavviare la motosega.

⚠ AVVERTENZA! Non tirare la motosega con le mani quando è incastrata nel legno. L'avvio accidentale della motosega comporta il rischio di lesioni gravi. Premere la motosega contro il legno e muoverla avanti e indietro per rimuovere i detriti. Rimuovere il gruppo batteria prima di pulirla. Indossare guanti di protezione durante la manipolazione della catena.

⚠ AVVERTENZA! Non avviare mai la motosega quando è a contatto con il legno. Attendere sempre che la motosega raggiunga la piena velocità prima di avvicinarla al legno.

⚠ AVVERTENZA! Questa motosega a impugnatura superiore non è progettata per essere usata sul terreno; pertanto, questo manuale non contiene istruzioni relative alle operazioni di abbattimento, diramatura e depezzatura.

⚠ AVVERTENZA! Le tecniche di taglio riportate di seguito si applicano esclusivamente a questa motosega a impugnatura superiore e devono essere effettuate esclusivamente da operatori specializzati.

⚠ AVVERTENZA! La cimatura di un albero comporta il rischio di lesioni. Tale operazione deve essere effettuata esclusivamente da professionisti.

⚠ AVVERTENZA! Si raccomanda agli operatori inesperti di fare pratica tagliando ceppi su un cavalletto o un supporto similare.

⚠ AVVERTENZA! Non lavorare sugli alberi in presenza di forte vento.

⚠ AVVERTENZA! Prima di iniziare il taglio, assicurarsi che le persone presenti si trovino fuori dall'area di caduta dei rami.

⚠ AVVERTENZA! Mantenere se stessi e l'apparecchio a distanza dal materiale tagliato.

⚠ ATTENZIONE! Assicurarsi che la batteria sia completamente carica prima dell'uso.

Potatura (Fig. P)

Seguire i passaggi riportati di seguito per evitare di danneggiare l'albero o la corteccia. Non usare un movimento a sega avanti-indietro.

1. Praticare un primo taglio poco profondo (1/3 del diametro del ramo) sulla parte inferiore del ramo, in prossimità del ramo principale o del tronco.
2. Praticare un secondo taglio sulla parte superiore del ramo, sfalsato verso l'esterno rispetto al primo ramo.

Proseguire il taglio fino a separare il ramo dall'albero. Prepararsi a bilanciare il peso dell'utensile e mantenersi a distanza da esso prima di completare il taglio.

- Praticare il taglio finale in prossimità del tronco.

Cimatura

Prima di effettuare la cimatura, rimuovere dall'albero pietre, sporcizia, pezzi di corteccia, chiodi, graffette e cavi dalle aree in cui verranno praticati i tagli.

Taglio direzionale

Effettuare un intaglio pari a 1/4 del diametro dell'albero, perpendicolarmente alla direzione di caduta come illustrato in Fig. Q. Praticare per primo l'intaglio inferiore orizzontale per evitare che la catena o la barra guida si inceppino durante l'esecuzione del secondo intaglio.

Q-1	Direzione di caduta	Q-3	Taglio posteriore
Q-2	Intaglio	Q-4	Cerniera

Taglio posteriore

- Praticare il taglio posteriore alla stessa altezza dell'intaglio direzionale orizzontale, come illustrato in Fig. Q. Mantenere il taglio posteriore parallelo all'intaglio orizzontale. Effettuare il taglio lasciando una quantità di legno sufficiente affinché funga da cerniera. La cerniera impedisce all'albero di ruotare su se stesso e cadere nella direzione errata. Non tagliare la cerniera.
- Quando il taglio posteriore si avvicina alla cerniera, l'albero inizia a cadere. Se si teme che l'albero non cada nella direzione desiderata o che possa piegarsi all'indietro e bloccare la catena della motosega, interrompere il taglio posteriore e inserire cunei in legno, plastica o alluminio per aprire il taglio e dare all'albero la linea di caduta desiderata.
- Quando l'albero inizia a cadere, rimuovere la motosega dal legno, arrestare il motore e attivare il freno catena. Prestare attenzione ai rami che potrebbero cadere e a non inciampare.

MANUTENZIONE

AVVERTENZA! Per la riparazione, usare esclusivamente parti di ricambio identiche. L'uso di altri ricambi comporta situazioni pericolose o il rischio di danni al prodotto. Per garantire sicurezza e affidabilità, tutte le operazioni di riparazione e sostituzione devono essere effettuate da un tecnico qualificato.

AVVERTENZA! Per evitare il rischio di lesioni gravi, rimuovere sempre il gruppo batteria dall'apparecchio prima delle operazioni di ispezione, pulizia o manutenzione. Un apparecchio elettrico con il gruppo batteria inserito è sempre acceso e può avviarsi accidentalmente.

AVVERTENZA! Durante la pulizia della motosega, NON immergerla in acqua o altri liquidi.

AVVERTENZA! Impedire il contatto di liquido per freni, benzina, prodotti a base di petrolio, oli penetranti, ecc. con le parti in plastica. Le sostanze chimiche possono danneggiare, indebolire o distruggere la plastica, con il rischio di lesioni gravi.

PULIZIA

- Dopo ogni utilizzo, rimuovere i detriti dalla barra e dalla catena con una spazzola morbida. Pulire la superficie della motosega con un panno pulito inumidito con acqua saponata.
- Rimuovere la copertura laterale, quindi usare una spazzola morbida per rimuovere i detriti da barra guida, catena, pignone e copertura laterale.
- Rimuovere sempre eventuali frammenti di legno, segatura e sporcizia dalla scanalatura della barra guida durante la sostituzione della catena.

MANUTENZIONE DELLA BARRA GUIDA

Quando la barra guida mostra segni di usura, rimuoverla dall'unità motore della motosega e riassembrarla invertita (Fig. R1), per distribuire uniformemente l'usura e prolungare la durata di vita della barra.

La barra deve essere pulita ogni giorno di utilizzo e ispezionata per verificare che non sia usurata o danneggiata. La sbavatura o la smussatura dei binari della barra è un normale processo dell'usura della barra. Tali difetti devono essere immediatamente corretti con una lima. Un barra con i difetti elencati di seguito deve essere sostituita.

- Usura all'interno dei binari della barra che mantengono la catena in posizione.
- Barra guida piegata.
- Binari incrinati o rotti.
- Allargamento dei binari.

Inoltre, la barra guida è dotata di un pignone sulla punta (Fig. R2). Il pignone deve essere lubrificato settimanalmente con un'apposita siringa per prolungare la durata di vita della barra guida. Usare una siringa per grasso per lubrificarlo settimanalmente con olio

per catena attraverso il foro di lubrificazione (Fig. R3). Capovolgere la barra guida e controllare che i fori di lubrificazione e la scanalatura della barra siano privi di impurità.

R-1	Pignone nella punta della barra guida
R-2	Foro di lubrificazione

IT

TRASPORTO E CONSERVAZIONE

- Non conservare o trasportare la motosega quando è in funzione. Rimuovere sempre il gruppo batteria prima di riporla o trasportarla.
- Installare sempre il coprilama a prima di riporre o trasportare la motosega. Prestare attenzione per evitare il contatto con i denti affilati della catena.
- Trasportare l'apparecchio usando l'impugnatura anteriore.
- Proteggere l'apparecchio da forti urti o vibrazioni che potrebbero verificarsi durante il trasporto in veicoli.

- Pulire accuratamente la motosega e svuotare il serbatoio dell'olio prima di riporla. Conservare la motosega in interni, in un luogo asciutto, al chiuso e/o inaccessibile ai bambini
- e al riparo da agenti corrosivi, ad esempio sostanze chimiche per il giardinaggio e sale per disgelo.

PROTEZIONE DELL'AMBIENTE



Non smaltire gli apparecchi elettrici, i caricabatteria e le batterie insieme ai rifiuti domestici.

Portare il prodotto presso un centro di riciclaggio autorizzato affinché venga raccolto separatamente. Gli apparecchi elettrici devono essere portati presso un centro di riciclaggio ecocompatibile.

RISOLUZIONE DEI PROBLEMI

⚠ AVVERTENZA! Proteggere sempre le mani indossando guanti robusti durante qualsiasi operazione di manutenzione sulla motosega. Rimuovere sempre il gruppo batteria durante la riparazione o il trasporto della motosega.

PROBLEMA	CAUSA	SOLUZIONE
Il motore non funziona.	<ul style="list-style-type: none"> ■ Il gruppo batteria non è installato nella motosega. ■ Nessun contatto elettrico tra la motosega e il gruppo batteria. ■ Il gruppo batteria è scarico. ■ Il gruppo batteria o la motosega sono troppo caldi. ■ La levetta di bloccaggio non è stata premuta prima dell'interruttore a grilletto. ■ Il freno catena è attivato. ■ La catena è incastrata nel legno. ■ Presenza di detriti nella scanalatura della barra. ■ Presenza di detriti nella copertura laterale. ■ Il gruppo batteria inserito è da 4,0 Ah o superiore. 	<ul style="list-style-type: none"> ■ Installare il gruppo batteria nella motosega. ■ Rimuovere il gruppo batteria, ispezionare i contatti e reinstallare il gruppo batteria. ■ Ricaricare il gruppo batteria. ■ Attendere che la temperatura del gruppo batteria o della motosega rientri all'interno dei valori raccomandati. ■ Per avviare la motosega, tenere premuta la levetta di bloccaggio contemporaneamente all'interruttore a grilletto. ■ Spingere la leva del freno catena verso l'impugnatura anteriore, in posizione operativa. ■ Rilasciare l'interruttore a grilletto; rimuovere la catena e la barra guida dal legno, quindi riavviare la motosega. ■ Premere la motosega contro il legno e muoverla avanti e indietro per rimuovere i detriti. ■ Rimuovere il gruppo batteria, quindi rimuovere la copertura laterale ed eliminare i detriti. ■ Usare esclusivamente i gruppi batteria EGO da 2,5 Ah BA1400 e BA1400T.
La motosega si arresta durante il funzionamento.	<ul style="list-style-type: none"> ■ La motosega è sovraccarica. ■ Il gruppo batteria o la motosega sono troppo caldi. ■ La catena è incastrata nel legno. 	<ul style="list-style-type: none"> ■ Diminuire il carico. ■ Attendere che la temperatura del gruppo batteria o della motosega rientri all'interno dei valori raccomandati. ■ Rilasciare l'interruttore a grilletto; rimuovere la catena e la barra guida dal legno, quindi riavviare la motosega.
Il motore funziona ma la catena non ruota.	<ul style="list-style-type: none"> ■ La catena non ingrana il pignone. 	<ul style="list-style-type: none"> ■ Rimuovere il gruppo batteria e reinstallare la catena, assicurandosi che le maglie di trascinamento sulla catena siano posizionate correttamente sul pignone.

PROBLEMA	CAUSA	SOLUZIONE
Il freno catena non si attiva.	<ul style="list-style-type: none"> ■ I detritti impediscono il movimento completo della leva del freno catena. ■ Malfunzionamento del freno catena. 	<ul style="list-style-type: none"> ■ Rimuovere i detritti dal meccanismo esterno del freno catena. ■ Interrompere immediatamente l'uso della motosega. Contattare il servizio clienti EGO per la riparazione.
La motosega non taglia correttamente.	<ul style="list-style-type: none"> ■ La tensione della catena è insufficiente. ■ La catena è smussata. ■ La catena è installata in senso inverso. ■ La catena è usurata. ■ La catena è asciutta o eccessivamente allungata. ■ La catena non è posizionata nella scanalatura della barra. 	<ul style="list-style-type: none"> ■ Regolare la tensione della catena come descritto alla sezione "REGOLAZIONE DELLA TENSIONE DELLA CATENA". ■ Affilare la catena. ■ Reinstallare la catena come descritto alla sezione "ASSEMBLAGGIO/SOSTITUZIONE DELLA BARRA E DELLA CATENA". ■ Sostituire la catena come descritto alla sezione "ASSEMBLAGGIO/SOSTITUZIONE DELLA BARRA E DELLA CATENA". ■ Controllare il livello dell'olio. Riempire il serbatoio dell'olio, se necessario. ■ Reinstallare la catena come descritto alla sezione "ASSEMBLAGGIO/SOSTITUZIONE DELLA BARRA E DELLA CATENA".
La catena si allenta o cade dalla barra guida durante l'uso normale.	<ul style="list-style-type: none"> ■ La catena si allenta mano a mano che la sua temperatura aumenta durante l'uso normale della motosega. ■ La catena non ingrana il pignone. 	<ul style="list-style-type: none"> ■ Regolare la tensione della catena come descritto alla sezione "REGOLAZIONE DELLA TENSIONE DELLA CATENA". ■ Reinstallare la catena come descritto alla sezione "ASSEMBLAGGIO/SOSTITUZIONE DELLA BARRA E DELLA CATENA".
La barra e la catena diventano calde ed emettono fumo.	<ul style="list-style-type: none"> ■ Controllare che la catena non sia troppo tesa. ■ Il serbatoio dell'olio è vuoto. ■ Presenza di detritti nella scanalatura della barra guida. 	<ul style="list-style-type: none"> ■ Regolare la tensione della catena come descritto alla sezione "REGOLAZIONE DELLA TENSIONE DELLA CATENA". ■ Riempire il serbatoio dell'olio con del lubrificante per barra e catena. ■ Premere la motosega contro il legno e muoverla avanti e indietro per rimuovere i detritti.

GARANZIA

CONDIZIONI DELLA GARANZIA EGO

Visitare il sito web egopowerplus.eu per consultare le condizioni complete della garanzia EGO.

LEES ALLE INSTRUCTIES!



LEES DE GEBRUIKSAANWIJZING

⚠ WAARSCHUWING: Laat alle reparaties uitvoeren door een vakbekwame reparateur om een continue veiligheid en betrouwbaarheid te waarborgen.

⚠ WAARSCHUWING: Lees en begrijp alle veiligheidsinstructies die in deze gebruiksaanwijzing staan vermeld, waaronder alle veiligheidssymbolen zoals "GEVAAR", "WAARSCHUWING", en "OPGELET" voordat u dit gereedschap in gebruik neemt. Het negeren van onderstaande instructies kan leiden tot een elektrische schok, brand en/of ernstig persoonlijk letsel.

NL

BEWAAR ALLE WAARSCHUWINGEN EN INSTRUCTIES VOOR TOEKOMSTIG GEBRUIK.

VEILIGHEIDSSYMBOLEN

⚠ WAARSCHUWING: Het gebruiken van een machine kan leiden tot het rondslingeren van (vreemde) objecten die in uw ogen kunnen terechtkomen, wat ernstig oogletsel tot gevolg kan hebben. Wanneer u elektrische apparaten gebruikt, zorg er dan voor dat u altijd een veiligheidsbril (met zijschermen) of een gelaatsscherm draagt. We bevelen aan om een gelaatsscherm over uw bril of een standaard veiligheidsbril met zijschermen te gebruiken.



Veiligheidswaarschuwing



De gebruiker dient de gebruiksaanwijzing voor het gebruik van dit product te lezen en te begrijpen om risico op letsel te beperken.



Draag oogbescherming



Draag gehoorbescherming



Draag hoofdbescherming



Draag beschermende handschoenen



Terugslag van de punt van het zaagblad



Gebruik de kettingzaag altijd met twee handen



Pas op voor de terugslag van de kettingzaag en voorkom contact met de punt van het zaagblad



Informatie over het zaagblad



Gewaarborgd geluidsvermogensniveau. Geluidsemisatie voor de omgeving in overeenstemming met de richtlijnen van de Europese Unie.



Gooi elektrisch afval niet via het huishoudelijk afval weg. Breng het naar een geautoriseerd recyclingbedrijf.



Dit product is in overeenstemming met de EG-richtlijnen.



Dit product is in overeenstemming met de toepasselijke richtlijnen van het VK.



Gelijkstroom

IPX4 Bescherming tegen water

mm Millimeter

n_0 Snelheid zonder belasting

V Spanning

./min Per minuut

SPECIFICATIES

Nominale spanning	56V	
Max. Ketting snelheid	20 m/s	
Kettingsteek	1/4" (6,4 mm)	
Kettingpeil	1,1 mm	
Lengte zaagblad	300 mm	
Model van zaagketting	AC1204Q (Aanbevolen)	
	AC1000Q (Compatibel)	
Model van zaagblad	AG1000Q (Compatibel)	
Model van zaagketting- en zaagbladkit	AK1204Q (Aanbevolen)	
Inhoud kettingoliereservoir	150 ml	
Gewicht (zonder accupack, zaagketting, zaagblad, zij-afdekking, olie en kettingbeschermer)	1,9 kg	
Aanbevolen bedrijfstemperatuur	-15°C - 40°C	
Aanbevolen opbergtemperatuur	-20°C - 70°C	
Aanbevolen oplaadtemperatuur	5°C - 40°C	
Gemeten geluidsniveau L_{WA}	97 dB(A) K=3.6 dB(A)	
Geluidsdruk niveau bij de werkpositie L_{PA}	89 dB(A) K=3 dB(A)	
Gegarandeerd geluidsvermogensniveau L_{WA} (conform 2000/14/EC)	101 dB(A)	
Trilling a_h	Voorste handgreep	2.64 m/s ² K=1.5 m/s ²
	Achterste handgreep	2.05 m/s ² K=1.5 m/s ²

- De opgegeven totale vibratiewaarde is gemeten volgens de standaard testmethode en kan worden gebruikt om het apparaat met een ander apparaat te vergelijken;
- De opgegeven totale vibratiewaarde kan tevens worden gebruikt in een voorafgaande beoordeling op blootstelling.

OPMERKING: De trillingsemisatie tijdens het werkelijk gebruik van het elektrisch gereedschap kan verschillen van de opgegeven totale waarde; Om de gebruiker te beschermen dient de gebruiker tijdens het gebruik

handschoenen en gehoorbescherming te dragen.

INHOUD VAN DE VERPAKKING (AFB. A1)

BESCHRIJVING

KEN UW KETTINGZAAG (afb. A1)

- Zaagblad
- Zaagketting
- Terugslagremhendel
- Achterste handgreep
- Voorste handgreep
- Oliepeil-inspectievenster
- Olietank dop
- Sluitlip
- Drukschakelaar
- Accuvrijgaveknop
- Zij-afdekking
- Bladmoer
- Spanbout
- Smeeropening
- Kettingbeschermer
- Draagkoordhouder
- Combi-sleutel

MONTAGE

MONTEREN/VERVANGEN VAN HET ZAAGBLAD EN DE KETTING

WAARSCHUWING: Voordat u montage of onderhoud uitvoert, controleer of het accupack is verwijderd. Het negeren van deze waarschuwing kan leiden tot ernstig persoonlijk letsel.

WAARSCHUWING: Pas de terugslagremhendel van de ketting in de repositie aan alvorens deze te monteren.

WAARSCHUWING: Draag altijd handschoenen bij het hanteren van het zaagblad en de ketting; deze onderdelen zijn scherp en kunnen bramen bevatten.

- Plaats de kettingzaag motorkop op de zijkant met de zij-afdekking naar boven gericht (afb. B).
- Verwijder de zij-afdekking door de zaagbladmoer linksom te draaien.

3. Draai de spanbout linksom om de kettingspanning te verminderen.
4. Plaats de zaagketting in een lus op de vlakke ondergrond en maak eventuele knikken recht (afb. C).
5. Plaats de aandrijfschakels van de ketting in de groef van het zaagblad en laat de ketting in een lus naar de achterkant van het zaagblad lopen (afb. D).
6. Houd de ketting op zijn plaats op het zaagblad en plaats de lus rond het tandwiel van de zaag met paal (afb. E1).

D-1	Aandrijfschakel van ketting	E-2	Uitlijfnflenzen
D-2	Zaagbladgroef	E-3	Spanpen
E-1	Aandrijftandwiel	E-4	Bevestigingsbout

OPMERKING: Wanneer de zaagketting op het zaagblad wordt gelust, moet ervoor worden gezorgd dat na het monteren van het zaagblad op de zaag de zaagrichting overeenstemt met het zaagpictogram en de pijl voor de draairichting op de behuizing van de zaag (afb. E1). Als ze in tegengestelde richting wijzen, monteer dan de zaagketting opnieuw op het zaagblad met de pijlen in dezelfde richting (afb. E2).

7. Plaats het zaagblad op het montageoppervlak door de sleuf van het zaagblad over de uitlijfnflenzen te schuiven. Zorg ervoor dat het zaagblad correct over de bevestigingsbout en spanpen is geplaatst.
8. Plaats de zij-afdekking terug op de kettingzaagbehuizing (afb. E3) en draai de twee zaagbladmoer volledig vast.

OPMERKING: Tijdens montage en onderhoud kan de metalen plaat onder het zaagblad (afb. F) omhoog komen. Als dit gebeurt, reinig de opening tussen dit metalen stuk en de behuizing grondig en duw de metalen plaat terug zodat deze **vlak tegen de behuizing komt te zitten**. Het niet schoonmaken en correct plaatsen van de metalen plaat zal leiden tot een verkeerde uitlijning van het zaagblad.

9. Draai de ketting met de hand om te controleren of de ketting goed vastzit zonder vast te klemmen. Anders moet u de ketting en het blad opnieuw monteren.

OPMERKING: Om de levensduur van het zaagblad te verlengen, dient u het zaagblad af en toe te draaien.

AANPASSEN VAN DE KETTINGSpanNING

- Stop de motor en verwijder het accupack voordat u de kettingspanning aanpast. Draai de spanbout rechtsom of linksom om de kettingspanning in te stellen (Afb. F) totdat de ketting goed tegen het zaagblad zit met de aandrijfschakels in de groef van het zaagblad.
- Een koude ketting staat goed onder spanning als er geen sprake is van speling aan de onderkant van het zaagblad en als de ketting strak zit, maar zonder problemen met de hand gedraaid kan worden. De ketting moet opnieuw worden gespannen als vlakken van de schakels niet op de groef van het zaagblad zitten.
- Tijdens het normale zagen neemt de temperatuur van de ketting toe. De aandrijfschakels van een correct gespannen warme ketting hangen ongeveer 1-2 mm uit de groef van het zaagblad (afb. G).

OPMERKING: Nieuwe kettingen neigen te rekken; controleer de spanning van de ketting regelmatig en span hem indien nodig.

OPMERKING: Als de ketting wordt gespannen als hij warm is, kan hij te strak zitten als hij weer afkoelt. Controleer de koude spanning voor het volgende gebruik.

WERKING

⚠ WAARSCHUWING: Vertrouwdheid kan leiden tot onvoorzichtigheid. Opgelet, één seconde van onoplettendheid kan ernstig letsel teweegbrengen.

⚠ WAARSCHUWING: Gebruik geen opzetstukken of accessoires die niet door de fabrikant van dit product zijn aanbevolen. Het gebruik van niet aanbevolen opzetstukken of accessoires kan leiden tot ernstig persoonlijk letsel.

⚠ WAARSCHUWING: Om het per ongeluk starten van het gereedschap, wat persoonlijk letsel kan veroorzaken, te voorkomen, dient u altijd het accupack uit het gereedschap te halen als u onderdelen monteert, instellingen uitvoert, het reinigt of als het niet in gebruik is.

Voor elk gebruik dient u het complete product op beschadigingen, ontbrekende of loszittende onderdelen zoals schroeven, moeren, bouten, doppen, etc. te controleren. Draai alle bevestigingen goed vast en gebruik dit product niet totdat alle missende of beschadigde onderdelen zijn vervangen.

TOEPASSINGEN

U kunt dit product gebruiken voor eenvoudige zaagwerkzaamheden in bomen.

⚠ WAARSCHUWING: Gebruik deze kettingzaag niet in een boom, tenzij u hiervoor speciaal bent opgeleid. Het gebruik van een kettingzaag in een boom zonder de juiste opleiding kan het risico op ernstig persoonlijk letsel vergroten.

OPMERKING: Het apparaat mag alleen voor het genoemde doel worden gebruikt. Elk ander gebruik wordt beschouwd als misbruik.

SMEERMIDDEL VOOR HET ZAAGBLAD EN DE KETTING BIJVULLEN

⚠ WAARSCHUWING: Niet roken en geen vuur of vlammen in de buurt van de olie of de kettingzaag brengen. Olie kan lekken en brand veroorzaken.

OPMERKING: De kettingzaag is niet gevuld met olie op het moment van aankoop. Het is van essentieel belang dat het reservoir voor gebruik met olie wordt gevuld. De ketting wordt tijdens het gebruik automatisch gesmeerd met kettingolie, als er voldoende olie in het oliereservoir zit.

1. Plaats de kettingzaag op de zijkant met de zijkant naar boven gericht.
2. Reinig de dop van het oliereservoir rondom om ervoor te zorgen dat er geen vuil in de oliereservoir valt.
3. Til de halfronde plaat op en draai de dop van het oliereservoir linksom eraf (afb. H).
4. Giet de olie voor het zaagblad en de ketting voorzichtig in het reservoir. Vul tot aan de onderkant van de vulhals.
5. Veeg overtollige olie weg en plaats de dop weer terug.

OPMERKING: Controleer het oliepeil regelmatig en vul bij wanneer het oliepeil onder het minimum is gedaald. Gebruik de kettingzaag nooit als er geen olie meer zichtbaar is.

HET KOORDOOGJE GEBRUIKEN (afb. H)

⚠ WAARSCHUWING: Dek de zaagketting en het zaagblad altijd af met een kettingbeschermer wanneer u de kettingzaag aan een gereedschapsriem hangt. De zaagketting is scherp en kan ernstig letsel veroorzaken.

⚠ WAARSCHUWING: Zorg ervoor dat het koord

voldoende sterk is om het gecombineerde gewicht van de kettingzaag en het accupack te dragen. Ernstig letsel en materiële schade kunnen ontstaan wanneer de kettingzaag valt.

HET ACCUPACK INSTALLEREN/VERWIJDEREN

Gebruik het gereedschap alleen met de in afb. A2 vermelde accupacks en opladers van EGO.

Voor ingebruikname volledig opladen.

Bevestigen

Breng de ribbels van de accu overeen met de montagesleuven en druk het accupack naar beneden totdat u "klik" hoort (afb. I).

Verwijderen

Druk de accu-ontgrendelingsknop naar beneden en trek het accupack eruit (afb. J).

⚠ WAARSCHUWING: Om een comfortabel evenwicht te behouden tijdens het zagen, gebruik alleen met het accupack BA1400/BA1400T.

DE KETTINGZAAG STARTEN/STOPPEN

OPMERKING: Voordat u de kettingzaag start, dient u het oliepeil, de kettingspanning, de scherpte van de tanden en de correct werkende terugslagremhendel te controleren. Bovendien dient u goed te staan en voor voldoende ruimte te zorgen.

Starten (afb. K)

1. Trek de terugslagremhendel van de ketting naar de voorste handgreep in de gebruikspositie (afb. K).
2. Pak altijd de voorste handgreep met de **linkerhand** en de achterste handgreep met de **rechterhand** vast.

⚠ WAARSCHUWING: Om letsel te voorkomen, moet u de kettingzaag altijd met de rechterhand in de grijpzone van de achterste handgreep gebruiken (Afb. L).

3. Beweeg de sluitlip naar voren en druk de drukschakelaar vervolgens in om de zaag te starten (afb. L).

L-1	Grijpzone
-----	-----------

4. Laat de sluitlip los en houd de drukschakelaar ingedrukt voor een continue werking.
5. Hoe verder de drukschakelaar ingedrukt wordt, hoe hoger de snelheid. Pas de snelheid aan de hand van de taak aan.

⚠ WAARSCHUWING: Probeer de zaag niet te starten

als de zaag in een zaagsnede steekt.

Stoppen

1. Beweeg de kettingzaag weg van het zaaggebied en laat de drukschakelaar los om de kettingzaag te stoppen.
2. Druk de terugslagremhendel van de ketting naar voren naar de repositie om de kettingrem te activeren (afb. K).

⚠ WAARSCHUWING: Haal altijd het accupack uit het apparaat wanneer u een pauze inlast of als u klaar bent met gebruik.

CORRECTE GRIP OP DE HANDGREPEN (AFB. M)

- Draag anti-slip handschoenen voor een maximale grip en bescherming.
- Met de zaag op een stevige, vlakke ondergrond houdt u de zaag stevig met beide handen vast.
- Pak altijd de voorste handgreep met de linkerhand en de achterste handgreep met de rechterhand vast.
- De vingers dienen de handgreep te omsluiten, met de duim onder de voorste handgreep.

⚠ WAARSCHUWING: Gebruik nooit een linkshandige (gekuiste) greep, of een houding waarbij u uw lichaam of arm over de kettinglijn beweegt.

⚠ WAARSCHUWING: Bedien de drukschakelaar niet met uw linkerhand en houd de voorste handgreep met uw rechterhand vast. Breng nooit een deel van uw lichaam in de kettinglijn terwijl de kettingzaag in gebruik is (afb. N).

GOEDE ZAAGPOSITIE (AFB. O)

- Beide voeten moeten op een vaste ondergrond staan, het gewicht gelijkmatig verdeeld.
- De linkerarm moet recht zijn, met de elleboog vergrendeld. Dit helpt om de krachten van de terugslag te weerstaan.
- Uw lichaam moet zich altijd links van de zaaglijn bevinden.

VEELVOORKOMENDE ZAAGTECHNIKEN

⚠ WAARSCHUWING: Zorg altijd voor een veilige stand en houd de kettingzaag stevig met beide handen vast terwijl de motor draait.

⚠ WAARSCHUWING: Als de zaagketting is gestopt tijdens het zagen doordat hij klem zit, laat u de drukschakelaar los; verwijder de zaagketting en het zaagblad uit het hout, start de kettingzaag vervolgens

opnieuw.

⚠ WAARSCHUWING: Trek de zaagketting niet met de hand eruit als hij bedekt is door zaagsel. Ernstig letsel kan het gevolg zijn als de kettingzaag per ongeluk weer start. Druk de zaagketting tegen het hout, beweeg de zaagketting heen en weer om het vuil te verwijderen. Verwijder altijd het accupack voor het reinigen. Draag zware beschermende handschoenen als u met de zaagketting werkt.

⚠ WAARSCHUWING: Start de kettingzaag nooit als deze contact heeft met het hout. Laat de kettingzaag eerst op snelheid komen voordat u de zaag in contact brengt met het hout.

⚠ WAARSCHUWING: Deze bovenhandse kettingzaag is niet bedoeld voor gebruik op de grond, daarom bevat deze handleiding geen instructies voor het vellen van bomen, het snoeien van takken en het doorzagen van bomen.

⚠ WAARSCHUWING: Deze instructies voor gebruik in de boom zijn van toepassing op deze bovenhandse kettingzaag, die exclusief is ontworpen voor zaagwerkzaamheden in bomen door gecertificeerde boomverzorgers die speciaal hiervoor zijn opgeleid.

⚠ WAARSCHUWING: Afkortzagen kan letsel tot gevolg hebben. Het mag alleen worden uitgevoerd door een opgeleid persoon.

⚠ WAARSCHUWING: Gebruikers die voor het eerst zagen, moeten oefenen met het zagen van houtblokken op een zaagbok of houtklem.

⚠ WAARSCHUWING: Werk niet in bomen bij felle wind.

⚠ WAARSCHUWING: Zorg ervoor dat alle omstanders uit de buurt van het valgebied zijn voordat u begint met zagen.

⚠ WAARSCHUWING: Houd uzelf en uw uitrusting altijd uit de buurt van het materiaal dat wordt verwijderd.

⚠ OPGELET: Zorg ervoor dat de accu volledig is opgeladen voordat u in een boom werkt.

Snoeien (afb. P)

Volg de onderstaande stappen om schade aan de boom of de bast te voorkomen. Gebruik geen heen- en weer gaande zaagbeweging.

1. Maak een eerste ondiepe snede (1/3 van de diameter van de tak) aan de onderkant van de tak dichtbij de hoofdtak of stam.
2. Maak een tweede snede aan bovenkant van de tak aan de buitenkant van de eerste snede. Zet de zaagsnede van de tak door totdat de tak loslaat van de boom. Zorg dat u het gewicht van het gereedschap goed kunt balanceren en blijf uit de buurt ervan voordat u de zaagsnede voltooit.
3. Maak een laatste snede dicht bij de stam.

NL Afkortzagen

Verwijder voor het afkortzagen losse bast, spijkers, nietjes en draad van de boom op de plaatsen waar de zaagsneden gemaakt zullen worden.

Voorzaagsnede

Maak een inkeping 1/4 van de diameter van de boom, loodrecht op de valrichting, zoals te zien in afb. Q. Maak eerst de onderste horizontale voorzaagsnede. Hierdoor wordt voorkomen dat de kettingzaag of het zaagblad vast komen te zitten als de tweede inkeping wordt gemaakt.

Q-1	Richting van de val	Q-3	Valzaagsnede
Q-2	Inkeping	Q-4	Scharnier

Valzaagsnede

- Maak de valzaagsnede op dezelfde hoogte als de horizontale voorzaagsnede, zoals weergegeven in afb. Q. Houd de valzaagsnede parallel met de horizontale voorzaagsnede. Maak de zaagsnede zo dat er genoeg hout over is dat als scharnier kan fungeren. Het scharnierhout zorgt ervoor dat de boom niet draait en in de verkeerde richting valt. Zaag niet door het scharnier.
- Wanneer de valzaagsnede dicht bij de scharnierlijn komt, zou de boom moeten beginnen te vallen. Als er een mogelijkheid bestaat, dat de boom niet in de gewenste richting valt of als hij terug wiegt en de zaagketting vast haakt, dient u te stoppen met zagen voordat de valzaagsnede compleet is en dient u gebruik te maken van houten, plastic of aluminium wiggen om de zaagsnede te openen en de boom in de gewenste richting te laten vallen.
- Wanneer het boomblok begint te vallen, haal de kettingzaag uit de zaagsnede, stop de motor en activeer de kettingrem. Wees alert voor takken die boven uw hoofd omlaag kunnen vallen en pas op waar u loopt.

ONDERHOUD

⚠ WAARSCHUWING: Gebruik tijdens reparaties uitsluitend identieke reserve-onderdelen. Het gebruik van andere onderdelen kan gevaar opleveren of schade aan het product veroorzaken. Laat alle reparaties uitvoeren door een vakbekwame reparateur om een continue veiligheid en betrouwbaarheid te waarborgen.

⚠ WAARSCHUWING: Om ernstig persoonlijk letsel te voorkomen, moet u de accu altijd uit het product verwijderen voordat u het inspecteert, schoonmaakt of onderhoud uitvoert. Een gereedschap met accu waar het accupack geplaatst is, is altijd aan en kan direct starten.

⚠ WAARSCHUWING: Als u de kettingzaag reinigt, dompel hem dan NIET in water of andere vloeistoffen.

⚠ WAARSCHUWING: Zorg dat remvloeistoffen, benzine, producten op basis van aardolie, oliën, etc. op geen enkel moment met de kunststof onderdelen in aanraking komen. Chemicaliën kunnen de kunststof onderdelen beschadigen, verzakken of vernietigen en ernstig persoonlijk letsel veroorzaken.

REINIGING

- Na ieder gebruik dient u het vuil met een zachte borstel van de ketting en het zaagblad te verwijderen. Veeg het oppervlak van de kettingzaag schoon met een vochtige doek en een mild zeepsopje.
- Verwijder de zij-afdekking en gebruik een zachte borstel om het vuil van het zaagblad, zaagketting, het tandwiel en de zij-afdekking te verwijderen.
- Verwijder altijd houtsnippers, zaagsel en vuil van de groef van het zaagblad als u de zaagketting vervangt.

ZAAGBLAD ONDERHOUD

Als het zaagblad tekenen van slijtage vertoont, demonteer het dan van de motorkop van de kettingzaag en draai het om voor hernieuwde montage (afb. R1). Op deze manier wordt de slijtage verdeeld om de levensduur van het zaagblad te maximaliseren.

Het blad dient iedere dag van gebruik te worden gereinigd en op slijtage en beschadigingen te worden gecontroleerd. Vering of afbramen van de bladgeleiders is een normaal slijtageproces van het zaagblad. Dergelijke fouten dienen te worden verholpen met een vijl zodra deze de kop opsteken. Een blad met één van de volgende fouten dient te worden vervangen.

- Slijtage aan de binnenkant van de bladgeleiders waardoor de ketting over de zijkant kan lopen.

- Gebogen zaagblad.
- Gescheurde of gebroken geleiders.
- Uiteenstaande geleiders.

Bovendien heeft het zaagblad een tandwiel aan de punt (afb. R2). Het tandwiel moet op een wekelijkse basis worden gesmeerd met een vetspuit om de levensduur van het zaagblad te verlengen. Gebruik een vetspuit om op een wekelijkse basis met kettingolie te smeren door middel van de smeeroening (afb. R3). Draai het zaagblad en controleer of de smeeroeningen en de ketting groef vrij zijn van verontreinigingen.

R-1	Tandwiel in de punt van het zaagblad
R-2	Smeeroening

TRANSPORT EN OPSLAG

- Berg de kettingzaag nooit op en transporteer hem niet als hij aan staat. Verwijder altijd het accupack voor het opbergen of de transport.
- Breng altijd de kettingbeschermer aan op het zaagblad en de ketting voordat u de kettingzaag opbergt of transporteert. Let op voor de scherpe tanden van de ketting.
- Draag het product altijd bij de voorste handgreep.
- Bescherm het product tegen zware schokken of sterke trillingen die kunnen optreden tijdens transport in voertuigen.
- Maak de kettingzaag grondig schoon en leeg het oliereservoir voordat u de zaag opbergt. Berg de kettingzaag binnenshuis op in een droge ruimte die voor kinderen gesloten en/of ontoegankelijk is.
- Houd uit de buurt van corrosieve middelen, zoals tuinchemicaliën en strooizout.

HET MILIEU BESCHERMEN



Gooi geen elektrische apparatuur, gebruikte accu's en laders weg via het huishoudelijk afval!

Geef dit product af bij een geautoriseerd recyclingbedrijf en zorg dat het apart kan worden ingezameld. Elektrisch gereedschap moet naar een gepast inzamelpunt worden gebracht voor een milieuvriendelijke recycling.

NL

PROBLEEMOPLOSSING

⚠ WAARSCHUWING: Bescherm altijd uw handen door zware handschoenen te dragen als u onderhoud aan de kettingzaag uitvoert. Verwijder altijd het accupack tijdens onderhoud of transport van de kettingzaag.

NL

PROBLEEM	OORZAAK	OPLOSSING
De motor werkt niet.	<ul style="list-style-type: none"> ■ Het accupack is niet met de kettingzaag verbonden. ■ Er is geen elektrisch contact tussen de zaag en het accupack. ■ Het accupack is leeg. ■ Het accupack of de kettingzaag is te warm. ■ De sluittip is niet ingedrukt voordat u de drukschakelaar indrukt. ■ De kettingrem is geactiveerd. ■ De zaagketting zit vast in het hout. ■ Er bevindt zich vuil in de groef van het blad. ■ Er bevindt zich vuil in de zij-afdekking. ■ Er wordt een accupack van 4,0 Ah of hoger gebruikt. 	<ul style="list-style-type: none"> ■ Bevestig het accupack aan de kettingzaag. ■ Verwijder het accupack, controleer de contacten en bevestig het accupack weer. ■ Laad het accupack op. ■ Laat het accupack of de kettingzaag afkoelen totdat de temperatuur daalt tot het aanbevolen bedrijfstemperatuurbereik. ■ Om de kettingzaag te starten, druk de sluittip in en houd op deze positie. Druk de drukschakelaar op de kettingzaag vervolgens in. ■ Trek de terugslagremhendel naar achteren naar de voorste handgreep tot in de gebruikspositie. ■ Laat u de drukschakelaar los; verwijder de zaagketting en het zaagblad uit het hout, start de kettingzaag vervolgens opnieuw. ■ Druk de zaagketting tegen het hout, beweeg de zaagketting heen en weer om het vuil te verwijderen. ■ Verwijder het accupack, verwijder vervolgens de zij-afdekking en ontdoe die van vuil. ■ Alleen gebruiken met EGO 2,5 Ah-accupacks BA1400 en BA1400T.
De kettingzaag stopt onverwachts tijdens gebruik.	<ul style="list-style-type: none"> ■ De kettingzaag is overbelast. ■ Het accupack of de kettingzaag is te warm. ■ De zaagketting zit vast in het hout. 	<ul style="list-style-type: none"> ■ Verlaag de belasting. ■ Laat het accupack of de kettingzaag afkoelen totdat de temperatuur daalt tot het aanbevolen bedrijfstemperatuurbereik. ■ Laat u de drukschakelaar los; verwijder de zaagketting en het zaagblad uit het hout, start de kettingzaag vervolgens opnieuw.
De motor loopt, maar de ketting draait niet.	<ul style="list-style-type: none"> ■ De ketting heeft geen contact met het tandwiel. 	<ul style="list-style-type: none"> ■ Verwijder het accupack en monteer de ketting weer; let erop dat de aandrijfschakels op de ketting volledig over het tandwiel lopen.

PROBLEEM	OORZAAK	OPLOSSING
De kettingrem wordt niet geactiveerd.	<ul style="list-style-type: none"> ■ Vuil voorkomt de volledige beweging van de terugslagremhendel. ■ Mogelijke storing van de kettingrem. 	<ul style="list-style-type: none"> ■ Verwijder vuil van het externe kettingremmechanisme. ■ Stop onmiddellijk met het gebruik van de kettingzaag! Neem contact op met de klantenservice van EGO in geval van reparaties.
De kettingzaag zaagt niet goed.	<ul style="list-style-type: none"> ■ Onvoldoende kettingspanning. ■ Botte ketting. ■ De ketting is achterste voren bevestigd. ■ De ketting is versleten. ■ Droge of overmatig gerekte ketting. ■ De ketting loopt niet in de groef van het zaagblad. 	<ul style="list-style-type: none"> ■ Pas de kettingspanning aan volgens de volgende sectie: "AANPASSEN VAN DE KETTINGSpanning". ■ Slijp de ketting. ■ Monteer de zaagketting weer, volg hiervoor de instructies in de sectie "MONTEREN/ VERVANGEN VAN HET ZAAGBLAD EN DE KETTING". ■ Vervang de ketting; doe dit aan de hand van het volgende gedeelte: "MONTEREN/ VERVANGEN VAN HET ZAAGBLAD EN DE KETTING". ■ Controleer het oliepeil. Vul het oliereservoir indien nodig. ■ Installeer de zaagketting opnieuw, zoals vermeld in de sectie: "MONTEREN/ VERVANGEN VAN HET ZAAGBLAD EN DE KETTING".
De ketting raakt los of valt uit het zaagblad tijdens het normale gebruik.	<ul style="list-style-type: none"> ■ De ketting raakt los omdat de temperatuur van de ketting toeneemt tijdens het normale zaagproces. ■ De ketting heeft geen contact met het tandwiel. 	<ul style="list-style-type: none"> ■ Zorg voor de kettingspanning, volg hiervoor de instructies in "AANPASSEN VAN DE KETTINGSpanning". ■ Installeer de zaagketting opnieuw, zoals vermeld in de sectie: "MONTEREN/ VERVANGEN VAN HET ZAAGBLAD EN DE KETTING".
Zaagblad en ketting lopen warm en roken.	<ul style="list-style-type: none"> ■ Controleer de kettingspanning of deze te strak zit. ■ Kettingolie tank is leeg. ■ Er bevindt zich vuil in de groef van het zaagblad. 	<ul style="list-style-type: none"> ■ Span de zaagketting opnieuw aan volgens de instructies in de sectie "AANPASSEN VAN DE KETTINGSpanning". ■ Vul het reservoir met zaagblad- en kettingsmeermiddel. ■ Druk de zaagketting tegen het hout, beweeg de zaagketting heen en weer om het vuil te verwijderen.

NL

GARANTIE

EGO-GARANTIEBELEID

Ga naar de website egopowerplus.eu voor de volledige algemene voorwaarden van het EGO-garantiebeleid.

LÆS ALLE ANVISNINGER!



LÆS BRUGERVEJLEDNINGEN

⚠ ADVARSEL: For at sikre sikkerhed og pålidelighed, bør alle reparationer udføres af en kvalificeret servicetekniker.

⚠ ADVARSEL: Sørg for at læse og forstå alle sikkerhedsanvisninger i denne brugsanvisning, herunder alle sikkerhedssymboler, såsom "FARE", "ADVARSEL" og "FORSIGTIG", før du bruger dette værktøj. Hvis anvisningerne nedenfor ikke følges, kan det føre til elektrisk stød, brand og/eller alvorlig personskade.

GEM ALLE ADVARSLER OG INSTRUKTIONER TIL FREMTIDIG REFERENCE.

DK

SIKKERHEDSSYMBOLER

⚠ ADVARSEL: Når en maskine bruges, er der altid en risiko for at genstande slynges ind i øjnene, som kan føre til alvorlige øjenskader. Inden du begynder elværktøj drift, altid bære beskyttelsesbriller eller sikkerhedsbriller med side skjolde og en fuld ansigtsmaske når det er nødvendigt. Vi anbefaler en Wide Vision Safety Maske til brug over briller eller standard sikkerhedsbriller med sideskærme.



Sikkerhedsadvarsel



For at reducere risikoen for skader, skal brugeren læse og forstå brugsanvisningen, før dette produkt tages i brug.



Brug beskyttelsesbriller



Brug høreværn



Brug hovedbeskyttelse



Brug beskyttelseshandsker



Spidsen af savsværdet kan slå tilbage



Motorsaven skal altid holdes med begge hænder



Pas på tilbageslag fra motorsaven og undgå kontakt på spidsen af motorsaven



Oplysninger om savsværdet



Garanteret lydniveau. Støjemission til miljøet opfylder EF-direktivet.



Elektriske affaldsprodukter må ikke bortskaffes sammen med husholdningsaffald. Tag det til en godkendt genbrugsplads.



Dette produkt er i overensstemmelse med gældende EU-direktiver.



Dette produkt er i overensstemmelse med lovgivningen i Storbritannien.



Jævnstrøm (DC)



Beskyttelse mod vandsprøjt

mm Millimeter

n_0 Hastighed uden belastning

V Spænding

./min Per minut

SPECIFIKATIONER

Nominal spænding	56V
Maks. Kædehastighed	20 m/s
Kædedeling	1/4" (6,4 mm)
Kædemåler	1,1 mm
Længde på sværdet	300 mm
Model med savkæde	AC1204Q (anbefalet)
	AC1000Q (kompatibel)
Sværdmodel	AG1000Q (kompatibel)
Savkæde og sværdsæt-model	AK1204Q (anbefalet)
Kapacitet på oliebeholderen til kæden	150 ml
Vægt (uden batteri, savkæde, styrestang, sidedæksel, olie og kædehylster)	1,9 kg
Anbefalet driftstemperatur	-15°C - 40°C
Anbefalet opbevaringstemperatur	-20°C - 70°C
Anbefalet opladningstemperatur	5°C - 40°C
Målt lyd effekt niveau L_{WA}	97 dB(A)
	K=3,6 dB(A)
Lydtryk tæt ved arbejdspositionen L_{PA}	89 dB(A)
	K=3 dB(A)
Garanteret lyd effekt niveau L_{PA} (i henhold til 2000/14/EF)	101 dB(A)
Vibration a_n	Forhåndtag 2,64 m/s ² K=1,5 m/s ²
	Baghåndtag 2,05 m/s ² K=1,5 m/s ²

- Den samlede erklærede vibrationsværdi er målt i overensstemmelse med en standard testmetoden, og den kan bruges til at sammenligne et værktøj med et andet;
- Den samlede angivne vibrationsværdi kan også bruges ved en foreløbig vurdering af eksponeringen.

BEMÆRK: Vibrationsemissionen ved faktisk brug af elværktøjet kan afvige fra den angivne værdi, hvor værktøjet bruges. For at beskytte brugeren, skal brugeren bruge handsker og høreværn i de faktiske brugsforhold.

LISTE OVER DELE (FIG. A1)

BESKRIVELSE

GØR DIG BEKENDT MED DIN MOTORSAV (fig. A1)

- Savsværd
- Savkæde
- Bremsehåndtag ved tilbageslag
- Baghåndtag
- Forhåndtag
- Vindue til olietjek
- Låg til oliebeholder
- Låsegreb
- Startknap
- Udløserknap til batteri
- Sidebeslag
- Sværdmøtrik
- Skrue til stramning af kæden
- Hul til smøring
- Kædehylster
- Lanyard Hanger
- Multifunktionsværktøj

DK

SAMLING

MONTERING/UDSKIFTNING AF SVÆRDET OG KÆDEN

⚠ ADVARSEL: Sørg for, at tage batteripakken ud, før der monteres nogen dele eller udføres nogen form for vedligeholdelse. Hvis denne advarsel ikke overholdes, kan det føre til alvorlige personskader.

⚠ ADVARSEL: Sæt kædebremsehåndtaget på bremset indstilling inden produktet samles.

⚠ ADVARSEL: Brug altid handsker, når sværdet og kæden håndteres. Disse komponenter er skarpe, og kan have grater.

- Læg motorsavens motorhoved på siden med sidebeslaget vendt opad (fig. B).
- Tag sidedækslet af ved at dreje stangmøtrikken mod uret.
- Drej spændeskruen mod uret for at løsne kædespændingen.
- Læg savkæden i en løkke på en plan flade, og ret alle

knæk ud (fig. C).

- Sæt kæden på rillen på sværdet, og sørg for at kæden danner en løkke på bagsiden af sværdet (fig. D).
- Hold kæden på plads på sværdet, og sæt kædeløkken omkring savens tandhjul (fig. E1).

D-1	Kædeled	E-2	Justeringsflanger
D-2	Rille på savsværdet	E-3	Stift til stramning af kæden
E-1	Tandhjul	E-4	Spændebolt

DK

BEMÆRK: Når du har sat kæden på sværdet og du har sat sværdet på saven, skal du sørge for at skæreretningen passer med skæreikonet og drejeretningsspilen på savens kabinet (fig. E1). Hvis de vender i modsatte retninger, skal du vende kæden om (fig. E2).

- Sæt sværdet på monteringsfladen ved at trykke rillen på sværdet ind over justeringsflangerne. Sørg for, at sværdet sidder rigtigt over spændebolten og spændestiften.
- Sæt sidedækslet på motorsavens kabinet (fig. E3), og spænd de to stangmøtrikker ordentligt.

BEMÆRK: Under montering og vedligeholdelse kan metalpladen under sværdet (fig. F) springe op. Hvis dette sker, skal du rengøre mellemrummet mellem dette metalstykke og kabinettet grundigt og trykke metalpladen tilbage, så den **flugter med kabinettet**. Hvis metalpladen ikke rengøres og placeres rigtigt, kommer sværdet til at sidde skævt.

- Drej kæden med hånden for at se, om er sat rigtigt på og at den ikke binder. Eller skal du samle kæde og sværdet igen.

BEMÆRK: For at forlænge savsværdets levetid, skal det regelmæssigt vendes om.

SÅDAN JUSTERES KÆDESTRAMNINGEN

- Stop motoren og tag batteripakken ud, inden kædestramningen justeres. Drej spændeskruen med uret eller mod uret for at justere kædespændingen (fig. F), indtil kæden sidder tæt på sværdet med leddene i rillen på sværdet.
- En kold kæde er korrekt spændt, når den ikke hænger ned på undersiden af sværdet og den sidder fast, men stadig kan dreje rundt uden at binde. Kæden skal spændes når de flade dele på leddene ikke sidder i rillen på savsværdet.

- Under normalt brug af saven stiger kædens temperatur. Leddene på en korrekt spændt varm kæde skal hænge ca. 1-2 mm fra rillen på savsværdet (fig. G).

BEMÆRK: Nye kæder har tendens til at udvide sig. Tjek regelmæssigt kædestramningen og spænd kæden, hvis nødvendigt.

BEMÆRK: Hvis en kæde strammes, når den er varm, bliver den muligvis for stram, når den bliver kold. Kædens stramning skal tjekkes, når den er kold og inden efterfølgende brug.

BETJENING

⚠ ADVARSEL: Lad ikke fortrolighed med dette produkt gøre dig skodesløs. Husk på, at det kan føre til alvorlige skader, hvis du ikke er opmærksom i blot et sekund.

⚠ ADVARSEL: Anvend ikke tilbehør eller påmonteringer, der ikke anbefales af fabrikanten af dette produkt. Brug af tilbehør eller påmonteringer, der ikke anbefales, kan forårsage alvorlig personskade.

⚠ ADVARSEL: For at forhindre, at apparatet startes ved et uheld, som kan føre til alvorlige personskader, skal batteripakken altid tages ud, når dele sættes på, motorsaven justeres og rengøres og når den ikke er i brug.

Før hver brug skal du undersøge hele produktet for skader, manglende eller løse dele, såsom skruer, møtrikker, bolte, hætter osv. Spænd omhyggeligt alle befæstelsesdele og hætter, og betjen ikke dette produkt, før alle manglende eller beskadigede dele er udskiftet.

ANVENDELSER

Dette produkt er beregnet til grundlæggende beskæring i træer.

⚠ ADVARSEL: Denne motorsav må ikke bruges i et træ, medmindre brugeren er uddannet til at gøre det. Hvis motorsaven bruges i et træ af en person, der ikke er uddannet, kan det føre til alvorlige personskader.

BEMÆRK: Maskinen må kun bruges til dens tilsigtede formål. Enhver anden anvendelse anses for at være et tilfælde af misbrug.

SÅDAN PÅFYLDES OLIEBEHOLDEREN TIL SMØRING AF SAVSVÆRDET OG KÆDEN

⚠ ADVARSEL: Der må ikke ryges eller være åbne flammer i nærheden af olien eller motorsaven. Der kan

spildes olie, der kan føre til brand.

BEMÆRK: Motorsaven er ikke fyldt med olie, når den købes. Der skal fyldes olie på motorsaven inden brug. Kæden smøres automatisk med kædeolie under drift, hvis der er nok olie i oliebeholderen.

1. Læg motorsaven på siden med låget til oliebeholderen vendt opad.
2. Rengør låget til oliebeholderen og området omkring det for at sikre, at der ikke kommer snavs ind i oliebeholderen.
3. Løft den halvrunde plade op og drej oliebeholderens dæksel mod uret for at tage det af (fig. H).
4. Hæld forsigtigt olien til sværd og kæde i beholderen. Fyld op til den nederste kant på halsen.
5. Tør eventuelle olierester af, og sæt dækslet på igen.

BEMÆRK: Kontroller regelmæssigt olieniveaet, og fyld olie på, hvis niveaet falder under minimumslinjen. Motorsaven må aldrig bruges, hvis du ikke kan se noget olie.

BRUG AF SNORHULLET (fig. H)

⚠ ADVARSEL: Savkæden og sværdet skal altid tildækkes med en kædeskede, hvis motorsaven hænges på et værktøjsbælte. Savkæden er skarp og kan føre til alvorlige skader.

⚠ ADVARSEL: Sørg for, at snoren er stærk nok til at holde motorsavens og batteripakkens samlede vægt. Hvis motorsaven falder ned, kan det føre til alvorlige personskader og materielle skader.

PÅSÆTNING / AFTAGNING BATTERIPAKKEN

Produktet må kun bruges med EGO's batteripakker og opladere, der er anført i fig A2.

Lad batteriet helt op inden første brug.

Montering

Flugt batteriets ribber med monteringsnoterne, og tryk batteriet ned, indtil du hører et "klik" (fig. I).

Fjernelse

Tryk på knappen til batteriudløseren, og træk batteripakken ud (fig. J).

⚠ ADVARSEL: Brug kun batteripakken BA1400/BA1400T, så der holdes en behagelig balance under brug.

SÅDAN STARTES/STOPPES MOTORSAVEN

BEMÆRK: Før motorsaven startes, skal olien,

kædespændingen, tænderne på kæden og bremsehåndtaget kontrolleres. Du skal desuden have et godt fodfæste og holde en korrekt afstand fra jorden.

Sådan startes produktet (fig. K)

1. Slå kædebremsehåndtaget til, ved at trække det mod det forreste håndtag (fig. K).
2. Tag ordentligt fast i det forreste håndtag med **venstre** hånd og i det bageste håndtag med **højre** hånd.

⚠ ADVARSEL: For at undgå skader skal motorsaven altid holdes på gribefladen på baghåndtaget med højre hånd (fig. L).

3. Tryk låsegrebet fremad, og tryk derefter på startknappen for at starte saven (fig. L).

L-1	Gribeflade
-----	------------

4. Slip låseknappen, men hold startknappen nede, for at holde saven i gang.
5. Jo mere startknappen trykkes ned, jo hurtigere kører apparatet. Juster hastigheden i henhold til opgaven.

⚠ ADVARSEL: Motorsaven må ikke startes, hvis savkæden sidder i et træ.

Sådan stoppes produktet

1. Flyt motorsaven væk fra skæreamrådet, og slip derefter startknappen for at stoppe motorsaven.
2. Tryk kædebremsehåndtaget frem, for at bremse kæden (fig. K).

⚠ ADVARSEL: Tag altid batteripakken ud af maskinen, hvis du holder en pause og når du er færdig med arbejdet.

SÅDAN HOLDER DU ET ORDENTLIGT GREB OM HÅNDTAGENE (FIG. M)

- Brug skridsikre handsker, så du får et maksimalt greb og beskyttelse.
- Hold fast med begge hænder med saven på en stabil og flad overflade.
- Tag altid fast i det forreste håndtag med venstre hånd og i det bageste håndtag med højre hånd.
- Fingrene skal omringe håndtaget, med tommelfingeren under det forreste håndtag.

⚠ ADVARSEL: Brug aldrig et venstrehåndsgreb (kejthåndet). Og stå aldrig på måde, som ville placere din krop eller arm i savelinjen.

⚠ ADVARSEL: Brug ikke startknappen med din venstre

DK

hånd, og hold forhåndtaget med din højre hånd. Undgå altid, at kroppen befinder sig i kædelinjen, når du bruger en motorsav (fig. N).

ORDENTLIG HOLDNING UNDER BRUG (FIG. O)

- Stå med begge ben fast på jorden, med din vægt fordelt jævnt på begge fødder.
- Venstre arm skal være lige, med albuen låst. Dette hjælper til at modstå kræfterne, der genereres ved et tilbageslag.
- Din krop skal altid være til venstre for savelinjen.

DK

ALMINDELIGE SAVETEKNIKKER

⚠ ADVARSEL: Sørg altid for at du har et godt fodfæste, og hold ordentligt fast i motorsaven med begge hænder, når den er i gang.

⚠ ADVARSEL: Hvis motorsaven kommer i klemme og stopper, skal du slippe startknappen, og tag derefter motorsaven ud af træet, inden den startes igen.

⚠ ADVARSEL: Træk ikke i savkæden med hånden, hvis den sidder fast. Dette kan føre til alvorlige skader, hvis motorsavet starter ved et uheld. Tryk motorsaven mod træet, og ryk den frem og tilbage, så skidtet kommer ud. Batteripakken skal altid tages ud, inden motorsaven rengøres. Brug kraftige beskyttelseshandsker, når du håndterer motorsaven.

⚠ ADVARSEL: Motorsaven må aldrig startes, når den er i kontakt med træ. Sørg altid for at motorsaven kører med fuld hastighed, inden du begynder at save.

⚠ ADVARSEL: Denne topstyrede motorsav er ikke beregnet til brug på jorden. Derfor indeholder denne brugsvejledning ikke vejledninger om fældning af træer, afkvistning eller opsavning af træer.

⚠ ADVARSEL: Disse vejledninger til brug i træer gælder for denne topstyrede motorsav, som udelukkende er beregnet til brug i træer af autoriserede træservicefolk, der er uddannet til dette.

⚠ ADVARSEL: Topkapning kan føre til skader. Dette må kun gøres af en uddannet person.

⚠ ADVARSEL: Førstegangbrugere skal øve sig i at save i træstammer på en savhest eller et træstamme-stativ.

⚠ ADVARSEL: Undgå, at arbejde i træer i kraftig vind.

⚠ ADVARSEL: Sørg for, at alle omkringstående

personer er væk fra faldområdet, før arbejdet påbegyndes.

⚠ ADVARSEL: Hold altid dig selv og dit udstyr på afstand af materialet, der skal fjernes.

⚠ FORSIGTIG: Sørg for, at batteriet er ladet helt op, før du arbejder i et træ.

Beskæring (fig. P)

Følg nedenstående trin for at forhindre skader på barken på træer eller buske. Brug ikke frem- og tilbagegående savbevægelse.

1. Lav først et mindre indsnit (1/3 af grenens diameter) på undersiden af grenen tæt på hovedgrenen eller stammen.
2. Lav endnu et snit fra den øverste side af grenen uden for det første snit. Fortsæt gennem grenen, indtil grenen er adskilt fra træet. Vær forberedt på at afbalancere værktøjets vægt, og sørg for, at du er fri af værktøjet, før du afslutter snittet.
3. Derefter kan der saves af tæt på stammen.

Topkapning

Før topkapning, skal du først fjerne løs bark, søm, hæfteskammer og kabler fra træet, hvor topkapningssnittene skal laves.

Udskæring ved undersnit

Lav en udskæring 1/4 ind i træstammen i retningen, som træet skal falde, som vist i fig. Q. Lav først den nederste vandrette udskæring. Dette reducerer chancen for at savkæden eller sværdet sidder fast, når den anden udskæring laves.

Q-1	Falderetning	Q-3	Bagsnit
Q-2	Udskæring	Q-4	Hængsel

Bagsnit

- Lav bagsnittet i samme højde som det vandrette hakkesnit, som vist i fig. Q. Sørg for at snittet er parallelt med den vandrette udskæring. Lav snittet, så det resterende træ virker som et form for hængsel. Hængseltræet holder træet fra at dreje, og derved falde i den forkerte retning. Hængseltræet må ikke skæres over.
- Når bagsnittet kommer tæt på hængslet, begynder træet at falde. Hvis der er chance for, at træet ikke falder i den ønskede retning eller hvis det begynder at læne i den forkerte retning og fastklemmer saven, skal du holde op med at save. Brug i stedet for kiler af træ, plast eller aluminium til at åbne snittet, så træet

begynder at hælde eller falder i den rigtige retning.

- Når træet begynder at falde, skal du tage motorsaven ud af snittet, stoppe motoren og slå kædebremsen til. Hold øje med det faldende træ, og hvor du går.

VEDLIGEHOLDELSE

⚠ ADVARSEL: Ved service må der kun bruges originale reservedele. Brug af andre reservedele kan medføre fare eller forårsage skader på produktet. For at sikre sikkerhed og pålidelighed, bør alle reparationer udføres af en kvalificeret servicetekniker.

⚠ ADVARSEL: For at undgå alvorlige personskader, skal batteripakken altid tages ud af produktet inden det ses efter, rengøres eller vedligeholdes. Et batteridrevet værktøj med batteripakken i, er altid tændt og kan starte ved et uheld.

⚠ ADVARSEL: Motorsaven må IKKE nedsænkes i vand eller andre væsker, når den rengøres.

⚠ ADVARSEL: Plastikdelene må aldrig komme i kontakt med bremsevæske, benzin, petroleum-baserede produkter, gennemtrængende olie, osv. Kemikalier kan beskadige, svække og ødelægge plastik, hvilket kan føre til alvorlige personskader.

RENGØRING

- Efter hver brug, skal kæden og savsværdet rengøres for rester med en blød børste. Tør motorsavens overflade af med en ren klud, fugtet med en mild sæbeopløsning.
- Fjern sidebeslaget, og brug derefter en blød børste til at fjerne snavs fra sværdet, kæden, tandhjulet og sidebeslaget.
- Rengør altid rillen på savsværdet for træflis, savsmuld og skidt, inden savkæden sættes på.

VEDLIGEHOLDELSE AF SAVSVÆRDET

Når sværdet viser tegn på slid, skal det tages af motorhovedet og vendes om (fig. R1). På denne måde slides sværdet på begge sider, så det holder længere.

Sværdet skal rengøres hver dag efter brug, og ses efter for slid og skader. Udtynding og afgratning på rillen af sværdet er et normal tegn på slid. Sådanne fejl skal jævnnes ud med en fil, så snart de opstår. Et sværd med en af følgende fejl, skal skiftes.

- Slid på indersiden af rillen på sværdet, som får kæden til at køre skævt.
- Et bøjet sværd.

- Revnede eller ødelagte riller.
- Udvidede riller.

Derudover har sværdet et tandhjul på spidsen (fig. R2). Tandhjulet skal smøres ugentligt med en fedtsprøjte, så dets levetid forlænges. Brug ugentligt en fedtsprøjte til at smøre med kædeolie via smøringshullet (fig. R3). Drej sværdet og sørg for at smørehullerne og kæderillen er fri for urenheder.

R-1	Tandhjul på spidsen af sværdet
R-2	Hul til smøring

TRANSPORT OG OPBEVARING

- Motorsaven må ikke opbevares eller transporteres, når den kører. Batteripakken skal altid tages ud, inden motorsaven gemmes væk og transporteres.
- Sæt altid kædeskeden på sværdet og kæden, inden motorsaven gemmes væk eller transporteres. Vær forsigtig med ikke at røre de skarpe tænder på kæden.
- Produktet skal altid bæres i forhåndtaget.
- Beskyt produktet mod kraftige stød eller kraftige vibrationer, der kan opstå under transport i køretøjer.
- Rengør motorsaven grundigt, og tøm oliebeholderen før opbevaring. Motorsaven skal opbevares indendørs på et tørt sted, der er låst og/eller utilgængelige for børn.
- Holdes væk fra ætsende stoffer, såsom havekemikalier og vejsalt.

BESKYTTELSE AF MILJØET



Elektrisk udstyr, batterioplader og batterier må ikke smides ud sammen med almindelig husholdningsaffald!

Tag dette produkt til en autoriseret genbrugsplads, og sørg for at det sendes til genbrug. Elektriske værktøjer skal returneres til et miljøkompatibelt genvindingsanlæg.

DK

FEJLFINDING

⚠ ADVARSEL: Beskyt altid dine hænder ved at bruge kraftige handsker, når du udfører vedligeholdelsesarbejde på savkæden. Batteripakken skal altid tages ud, hvis motorsaven skal repareres eller transporteres et andet sted hen.

DK

PROBLEM	ÅRSAG	LØSNING
Motoren kører ikke.	<ul style="list-style-type: none"> ■ Batteripakken er ikke sat i motorsaven. ■ Der er ingen elektrisk kontakt mellem saven og batteripakken. ■ Batteripakken er afladet. ■ Batteripakken eller motorsaven er for varm. ■ Låseknappen er ikke trykket ned, inden der trykkes på startknappen. ■ Kædebremseren er aktiveret. ■ Savkæden sidder fast i træet. ■ Skidt i rillen på savsværdet. ■ Snavs i sidebeslaget. ■ Brug batterier med 4.0 Ah eller mere. 	<ul style="list-style-type: none"> ■ Sæt batteripakken i motorsaven. ■ Fjern batteriet, kontrollér kontakterne og sæt batteriet på igen. ■ Oplad batteripakken. ■ Lad batteripakken eller motorsaven køle ned, indtil temperaturen falder til den anbefalede driftstemperatur. ■ Hold låseknappen nede. Tryk derefter på startknappen, for at tænde motorsaven. ■ Træk kædebremshåndtaget tilbage mod det forreste håndtag, så det sidder i driftsindstillingen. ■ Slip startknappen. Tag savkæden og savsværdet ud af træet. Start derefter motorsaven igen. ■ Tryk motorsaven mod træet, og ryk den frem og tilbage, så skidt kommer ud. ■ Tag batteripakken ud, og tag derefter sidebeslaget af og rengør evt. skidt. ■ Må kun bruges med EGO 2,5 Ah batteripakker BA1400 og BA1400T.
Motorsaven stopper uventet under drift.	<ul style="list-style-type: none"> ■ Motorsaven overbelastet. ■ Batteripakken eller motorsaven er for varm. ■ Savkæden sidder fast i træet. 	<ul style="list-style-type: none"> ■ Reducer belastningen. ■ Lad batteripakken eller motorsaven køle ned, indtil temperaturen falder til den anbefalede driftstemperatur. ■ Slip startknappen. Tag savkæden og savsværdet ud af træet. Start derefter motorsaven igen.
Motoren kører, men kæden kører ikke rundt.	<ul style="list-style-type: none"> ■ Kæden kører ikke på tandhjulet. 	<ul style="list-style-type: none"> ■ Fjern batteripakken, og sæt kæden på igen, og sørg for at leddene på kæden sidder ordentligt på tandhjulet.
Kædebremseren aktiveres ikke.	<ul style="list-style-type: none"> ■ Snavs forhindrer kædebremsehåndtaget i at kunne bevæges ■ Mulig funktionsfejl på kædebremseren. 	<ul style="list-style-type: none"> ■ Rengør for snavs på den eksterne kædebremsemekanisme. ■ Hold straks op med at bruge motorsaven! Kontakt EGO's kundeservice for reparation.

PROBLEM	ÅRSAG	LØSNING
Motorsaven saver ikke ordentligt.	<ul style="list-style-type: none"> ■ Kæden er ikke strammet ordentligt. ■ Kæden er døv. ■ Kæden er sat omvendt på. ■ Kæden er slidt. ■ Kæden er tør eller sidder for stramt. ■ Kæder kører ikke i rillen på savsværdet. 	<ul style="list-style-type: none"> ■ Juster kædestramningen i henhold til vejledningerne i afsnittet: "SÅDAN JUSTERES KÆDESTRAMNINGEN". ■ Slib kæden. ■ Sæt savkæden på igen som vist i afsnittet "MONTERING/UDSKIFTNING AF SVÆRDET OG KÆDEN". ■ Skift kæden i henhold til vejledningerne i afsnittet: "MONTERING/UDSKIFTNING AF SVÆRDET OG KÆDEN". ■ Tjek olien. Fyld olie på, hvis nødvendigt. ■ Sæt kæden på igen i henhold til vejledningerne i afsnittet: "MONTERING/UDSKIFTNING AF SVÆRDET OG KÆDEN".
Kæden bliver løs eller falder af savsværdet under normal brug.	<ul style="list-style-type: none"> ■ Under normalt brug af saven stiger kædens temperatur, hvorefter den bliver løs. ■ Kæden kører ikke på tandhjulet. 	<ul style="list-style-type: none"> ■ Spænd kæden, som beskrevet i afsnittet "JUSTERING AF KÆDESPÆNDINGEN". ■ Sæt kæden på igen i henhold til vejledningerne i afsnittet: "MONTERING/UDSKIFTNING AF SVÆRDET OG KÆDEN".
Savsværdet og kæden bliver varm og ryger.	<ul style="list-style-type: none"> ■ Sørg for at kæden ikke er strammet for meget. ■ Der er ikke mere olie i oliebeholderen. ■ Snavs i rillen på savsværdet. 	<ul style="list-style-type: none"> ■ Spænd kæden igen, som beskrevet i afsnittet "JUSTERING AF KÆDESPÆNDINGEN". ■ Fyld beholderen med smøremiddel til sværdet og kæden. ■ Tryk motorsaven mod træet, og ryk den frem og tilbage, så skidt kommer ud.

DK

GARANTI

EGO GARANTI POLITIK

Besøg venligst hjemmesiden egopowerplus.eu for fuldstændige vilkår og betingelser for EGO's garantipolitik.

LÄS IGENOM ALLA INSTRUKTIONER!



LÄS IGENOM BRUKSANVISNINGEN

⚠ VARNING: För att garantera en säker och pålitlig användning måste alla reparationer utföras av en kvalificerad servicetekniker.

⚠ VARNING: Var noga med att läsa igenom och förstå alla säkerhetsinstruktioner i denna bruksanvisning, inklusive alla varningssymboler såsom "FARA", "VARNING" och "FÖRSIKTIGHET" innan detta verktyg används. Underlåtenhet att läsa alla instruktioner som listas nedan kan resultera i elektrisk stöt, brand och/eller allvarlig personskada.

SPARA ALLA VARNINGAR OCH INSTRUKTIONER FÖR FRAMTIDA REFERENS.

SE SÄKERHETSSYMBOLER

⚠ VARNING: Användning av något elverktyg kan resultera i att främmande föremål kastas in i dina ögon vilket kan resultera i allvarliga ögonskador. Innan elverktyget börjar användas ska alltid skyddsglasögon eller skyddsglasögon med sidoskydd och full ansiktsskydd användas när så behövs. Vi rekommenderar att en ansiktsmask med brett synfält används ovanpå glasögonen eller standard skyddsglasögon med sidoskydd.



Säkerhetslarm



För att minska risker för skador måste användare läsa igenom och förstå bruksanvisningen innan denna produkt används.



Använd ögonskydd



Använd hörselskydd



Använd huvudskydd



Använd skyddshandskar



Svärd spetsrekyl



Använd alltid båda händerna när motorsågen används



Var medveten om motorsågens rekyl och undvik kontakt med svärdets spets



Information om svärdet



Garanterad ljudeffektnivå. Bulleremissioner för omgivningen enligt EU-direktivet.



Förbrukade elektriska produkter får inte kastas i hushållssoporna. Lämnas in till en auktoriserad återvinningsstation.



Denna produkt är i enlighet med gällande EG-direktiv.



Denna produkt uppfyller tillämpliga lagar i Storbritannien.



Likström

IPX4

Skydd mot stänkande vatten

mm Millimeter

n_0 Tomgångshastighet

V Spänning

./min Per minut

SPECIFIKATIONER

Märkspänning	56V	
Max. Kedjehastighet	20 m/s	
Kedjedelning	1/4 tum (6,4 mm)	
Kedjemått	1,1 mm	
Svärdlängd	300 mm	
Modell av sågkedja	AC1204Q (rekommenderas)	
	AC1000Q (kompatibel)	
Svärdskyddsmodell	AG1000Q (kompatibel)	
Sågkedja & stångsats Modell	AK1204Q (rekommenderas)	
Kapacitet kedjeoljetank	150 ml	
Vikt (utan batteripaket, sågkedja, svärd, sidoskydd, olja och kedjehölje)	1,9 kg	
Rekommenderad drifttemperatur	-15°C - 40°C	
Rekommenderad förvaringstemperatur	-20°C - 70°C	
Rekommenderad laddningstemperatur	5°C - 40°C	
Uppmätt ljudeffektnivå L_{WA}	97 dB(A) K=3,6 dB(A)	
Ljudtrycksnivå vid arbetspositionen L_{PA}	89 dB(A) K=3 dB(A)	
Garanterad ljudeffektsnivå L_{WA} (enligt 2000/14/EG)	101 dB(A)	
Vibration a_h	Främre handtag	2,64 m/s ² K=1,5 m/s ²
	Bakre handtag	2,05 m/s ² K=1,5 m/s ²

- Det deklarerade totala vibrationsvärdet har uppmätts i enlighet med en standardtestmetod och kan användas för att jämföra ett verktyg med ett annat;
- Det deklarerade totala vibrationsvärdet kan också användas i en preliminär utvärdering av exponeringen.

UPPMÄRKSAMMA: Vibrationsutstrålingen under verklig användning av elverktyg kan skilja sig från det deklarerade värdet i vilken verktyget används. För att skydda användaren ska skyddshandskar och hörselskydd användas under faktiska användningsförhållandet.

FÖRPACKNINGSLISTA (BILD A1)

BESKRIVNING

LÄR KÄNNA DIN MOTORSÅG (Bild A1)

1. Svärd
2. Sågkedja
3. Bromspaddel för kedjerekyl
4. Bakre handtag
5. Främre handtag
6. Oljeinspektionsfönster
7. Lock oljetank
8. Låstunga
9. Avtryckare
10. Batterilåsknapp
11. Sidokåpa
12. Svärdsmutter
13. Spänningskruv
14. Smörjhål
15. Kedjeöverdrag
16. Hängare säkerhetslina
17. Kombinyckel

SE

MONTERING

MONTERING/BYTE AV SVÄRDET OCH KEDJAN

⚠ VARNING: Innan du utför någon montering eller underhåll, se till att batteripaketet är borttaget. Underlåtenhet att följa denna varning kan resultera i allvarliga personskador.

⚠ VARNING: Ändra bromspaddel för kedjerekyl till bromspositionen innan montering.

⚠ VARNING: Använd alltid handskar när svärdet och kedjan hanteras, dessa komponenter är vassa och kan innehålla grader.

1. Placera motorsågens drivenhet på sidan med sidans kåpa riktad uppåt (bild B).
2. Ta bort sidokåpan genom att vrida de två låsmuttrarna moturs.
3. Vrid spännkruven moturs för att lossa kedjespänningen.
4. Lägg sågkedjan i en loop på en plan yta och räta ut alla knutar (bild C).

- Placera kedjedrivlänken på svärdsspåren och gör en lopp med kedjan på baksidan av svärdet (bild D).
- Håll kedjan i positionen på svärdet och placera loopen runt kuggen på sågen (bild E1).

D-1	Kedjedrivlänkar	E-2	Justeringsflänsar
D-2	Svärdsspår	E-3	Spänningsstift
E-1	Kedjekrans	E-4	Fästbult

UPPMÄRKSAMMA: Vid upprullning av sågkedjan på svärdet ska du se till att svärdet efter montering på sågen, sågriktningen överensstämmer med sågikonen och rotationsriktningen på höljet på sågen. (bild E1). Om de pekar åt olika håll monterar du tillbaka sågkedjan på svärdet så att knivarna pekar åt samma håll (bild E2).

- Placera styrstängens på monteringsytan genom att skjuta styrsångsspåret över justeringsflänsarna. Kontrollera att styrsångens är korrekt placerad över fästbulten och spännstiftet.
- Sätt tillbaka sidokåpan på motorsågshuset (bild E3) och dra åt de två låsmuttrarna helt.

UPPMÄRKSAMMA: Vid montering och underhåll kan metallplattan under styrsångens (bild F) dyka upp. Om detta händer, rengör springan mellan denna metallbit och huset noggrant och tryck tillbaka metallplattan så att den är **tätt mot huset**. Underlåtenhet att rengöra och placera metallplattan på rätt sätt kommer att orsaka styrsångens felinställning.

- Rotera kedjan för hand för att kontrollera att kedjan är korrekt monterad utan att den kärvar. I annat fall ska du montera tillbaka kedjan och stängens.

UPPMÄRKSAMMA: För att förlänga svärdets livslängd, vänd på svärdet emellanåt.

INSTÄLLNING AV KEDJESPÄNNINGEN

- Stanna motorn och ta bort batteripaketet innan kedjespänningen justeras. Vrid kedjespänningsbulten medurs eller moturs för att justera kedjespänningen (bild F) tills kedjan sitter tätt mot styrskenan med drivlänkarna i styrskenans spår.
- En kall kedja är korrekt spänd när det inte finns något nedhäng på undersidan av svärdet och kedjan sitter tätt men den kan vridas för hand utan att den kärvar. Kedjan måste spännas om närhelst klackarna på drivlänkarna inte sitter i svärdsspåren.
- Vid normala sågarbeten kommer temperaturen på kedjan att öka. Drivlänkarna på en korrekt spänd varm

kedja kommer att hänga ungefär 1-2 mm utanför svärdsspåren (bild G).

UPPMÄRKSAMMA: Nya kedjor har en tendens att sträckas, kontrollera kedjespänningen regelbundet och spänn om så behövs.

UPPMÄRKSAMMA: En kedja som spänns när den är varm kommer att vara för tight när den kyls. Kontrollera den kalla spänningen innan nästa användning.

DRIFT

⚠ VARNING: Bli inte vårdslös bara för att du är bekant med denna produkt. Kom ihåg att oaksamhet under en bråkdel av en sekund är tillräcklig för att orsaka allvarliga skador.

⚠ VARNING: Använd inga andra tillsatser eller tillbehör än de som rekommenderas av tillverkaren av denna produkt. Användning av tillbehör eller tillsatser som inte rekommenderas kan resultera i allvarlig personskada.

⚠ VARNING: För att förhindra oavsiktlig start som kan orsaka allvarliga personskador skall alltid batteripaketet tas bort från verktyget när delar monteras, inställningar görs, vid rengöring eller när den inte används.

Inspektera hela produkten innan varje användning om där finns skador, saknade eller lösa delar såsom skruvar, muttrar, bultar, höljen etc. Dra åt alla fästelement och lock och använd inte denna produkt innan alla saknade eller skadade delar bytts ut.

TILLÄMPNINGAR

Du kan använda den här produkten för grundläggande trädfällning.

⚠ VARNING: Använd inte denna motorsåg i ett träd om du inte har fått särskild utbildning för detta. Användning av motorsåg i ett träd utan lämplig utbildning kan öka risken för allvarliga personskador.

UPPMÄRKSAMMA: Maskinen får enbart användas för det föreskrivna ändamålet. All annan användning betraktas som missbruk.

FYLLA PÅ SVÄRD OCH KEDJA MED SMÖRJMEDEL

⚠ VARNING: Rök inte eller för Eld eller öppna lågor i närheten av oljan eller motorsågen. Oljan kan spillas och orsaka brand.

UPPMÄRKSAMMA: Motorsåg är inte fylld med olja

vid köpet. Det är väsentligt att fylla tanken med olja före användning. Kedjan smörjs automatiskt med kedjeolja under drift om det finns tillräckligt med olja i behållaren.

1. Lägg motorsågen på sidan med tanklocket riktad uppåt.
2. Rengör oljebehållarens locket och området runt det för att säkerställa att smuts inte tränger in i oljebehållaren.
3. Lyft upp den halvformade plattan och riktad uppåt och vrid oljelocket moturs för att ta bort det (bild H).
4. Håll försiktigt i svärds- och kedjeoljan i tanken. Fyllt till underkanten på påfyllnadshalsen.
5. Torka bort överbliven olja och sätt tillbaka locket.

UPPMÄRKSAMMA: Kontrollera oljenivån regelbundet och fyll på när oljenivån sjunker under minimilinjén. Använd aldrig motorsågen om oljan inte är synlig.

ANVÄNDNING AV TALJEREPETS SNÖRHÅL (bild H)

⚠ VARNING: Täck alltid sågkedjan och styrstängan med kedjeslida när du hänger motorsågen i ett verktygsbälte. Sågkedjan är vass och kan orsaka allvarliga skador.

⚠ VARNING: Se till att taljerepet är tillräckligt starkt för att hålla för motorsågens och batteripaketets sammanlagda vikt. Allvarliga skador och egendomsskador kan uppstå om motorsågen faller.

FÄST/TÅ LOSS BATTERIPAKETET

Använd endast EGO:s batteripaket och laddare som listas i bild A2.

Ladda fullt innan första användning.

Fästa

Rikta in listerna på batteriet med monteringsspåren och tryck sedan ner batteripaketet tills du hör ett "klick" (bild I).

Ta bort

Tryck in låsknappen för batteriet och dra sedan ut batteripaketet (bild J).

⚠ VARNING: För att hålla bekväm balans under klippning, använd endast med batteripaketet BA1400/BA1400T.

STARTA/STOPPA MOTORSÅGEN

UPPMÄRKSAMMA: Innan motorsågen startas, kontrollera oljenivån, sågtändernas skärpa och att

rekylbromspaddeln fungerar korrekt. Dessutom behövs ett stadigt fötfäste och korrekt avstånd från marken.

Starta (bild K)

1. Dra kedjans rekylbromspaddel mot fronthandtaget till driftläget (bild K).
2. Greppa ordentligt tag i det främre handtaget med **vänster** hand och det bakre handtaget med den **högra** handen.

⚠ VARNING: Undvik personskador genom att alltid använda motorsågen med höger hand i greppområdet på det bakre handtaget (bild L).

3. Flytta låsspaken framåt och tryck sedan på avtryckaren för att starta sågen (bild L).

L-1	Greppområde
-----	-------------

4. Släpp låsknappen och fortsätt att klämma in avtryckaren för fortsatt drift.
5. Ju längre avtryckaren trycks in, desto högre kedjehastighet. Ställ in hastigheten så den passar uppgiften.

⚠ VARNING: Försök inte att starta sågen om motorsågen är i ett sågspår.

Stoppa

1. Flytta motorsågen bort från sågområdet och släpp sedan avtryckaren för att stoppa motorsågen.
2. Skjut kedjans rekylbromspaddel framåt till bromspositionen för att aktivera kedjebromsen (bild K).

⚠ VARNING: Ta alltid bort batteripaketet från maskinen vid arbetsavbrott och efter avslutat arbete.

KORREKT GREPP PÅ HANDTAGEN (bild M)

- Använd halkfria handskar för maximalt grepp och skydd.
- Håll fast sågen med båda händerna på en fast och plan yta.
- Greppa alltid främre handtaget med vänster hand och det bakre handtaget med den högra handen.
- Fingrarna skall omsluta handtaget med tummen lindad under främre handtaget.

⚠ VARNING: Använd aldrig ett vänsterhandsgrepp (korsade händer) eller någon ställning som placerar kroppen eller armen över kedjelinjen.

SE

⚠ VARNING: Hantera inte avtryckaren med vänster hand medan högra handen håller i främre handtaget. Låt aldrig någon del av kroppen befinna sig i kedjelinjen när motorsågen används (bild N).

KORREKT SÅGHÅLLNING (bild O)

- Båda fötterna skall stå på fast underlag med vikten jämnt fördelad mellan fötterna.
- Vänster arm skall vara rak med armbågen låst. Detta hjälper till att stå emot de krafter som genereras av en rekyl.
- Kroppen skall alltid vara till vänster om kedjelinjen.

VANLIGA SÅGTEKNIKER

⚠ VARNING: Var alltid uppmärksam på fötternas placering och håll motorsågen fast med båda händerna medan motorn är igång.

⚠ VARNING: När sågkedjan stoppas på grund av att den kläms fast under kapningen, släpp avtryckaren, ta bort sågkedjan och svärdet från trädet och starta om motorsågen.

⚠ VARNING: Dra inte sågkedjan med handen när den är sitter fast med sågspån. Allvarliga skador kan uppstå om motorsågen startar oavsiktligt. Tryck motorsågen mot trä, flytta motorsågen fram och tillbaka för att lossa skräpet. Ta alltid bort batteripaketet innan rengöring. Använd kraftiga skyddshandskar när sågkedjan hanteras.

⚠ VARNING: Starta aldrig motorsågen när den har kontakt med trä. Låt alltid motorsågen nå full hastighet innan sågen placeras mot trä.

⚠ VARNING: Denna toppskaftade motorsåg är inte avsedd att användas på marken, därför innehåller denna manual inga instruktioner för att fälla träd, kvista och spänna träd.

⚠ VARNING: Dessa anvisningar för trädsågar gäller för denna toppskaftade-motorsåg som designats speciellt för sågning i träd av certifierade och professionella trädsågarare som särskilt utbildats för detta.

⚠ VARNING: Blockering kan resultera i skador. Den bör endast utföras av en utbildad person.

⚠ VARNING: Det rekommenderas att första-gången användare minst skall praktisera sågning av stockar på en sågbock eller vagg.

⚠ VARNING: Arbeta inte i träd vid kraftiga

vindförhållanden.

⚠ VARNING: Se till att alla åskådare är fria från fallområdet innan arbetet påbörjas.

⚠ VARNING: Håll alltid dig själv och din utrustning fri från material som tas bort.

⚠ FÖRSIKTIGHET: Se till att batteriet är fulladdat innan du arbetar i ett träd.

Beskärning (bild P)

Följ stegen nedan för att förhindra skada på träbark eller buskar. Använd inte en bakåt och framåt sågrörelse.

1. Utför ett grunt första snitt (1/3 av grenens diameter) nära stammen eller huvudgrenen på grenens undersida.
2. Gör ett andra snitt på ovasidan av grenen, riktat utåt från det första snittet. Fortsätt att kapa grenen tills den lossnar från trädet. Var beredd på att balansera verktygets vikt och se till att du är fri från den innan du slutför snittet.
3. Gör ett sista snitt nära stammen.

Blockering

Ta bort lös bark, spik, häftklammer och tråd från trädet där blockeringssnitten ska göras innan blockering.

Skärning underkapning

Gör skåran 1/4 av trädets diameter, i rätt vinkel mot riktning som trädet fälls såsom bild Q visar. Gör den nedre horisontella skåran först. Detta hjälper till att undvika klämning av antingen sågkedjan eller svärdet när den andra skåran görs.

Q-1	Fallriktning	Q-3	Fällningssågning
Q-2	Skåra	Q-4	Gångjärn

Fällningssågning

- Gör fällningssågningen på samma höjd som den horisontella skärsågningen såsom bild Q visar. Håll fällningssågningen parallellt mot det horisontella skärsågningen. Gör fällningssågningen så långt så att tillräckligt med trä finns kvar att fungera som ett gångjärn. Gångjärnsträt förhindrar att trädet vrider sig och faller i fel riktning. Såga inte igenom gångjärnet.
- När fällningen närmar sig gångjärnet börjar trädet att falla. Upphör omedelbart att såga innan fällningssnittet är klart om det finns risk för att trädet inte faller i önskad riktning eller risk för att trädet gungar och bryter av sågkedjan. Använd sedan kilar av trä, plast

eller aluminium för att öppna fällningssnittet och fälla trädet i önskad fallinje.

- När trädet börjar att falla, ta bort motorsågen från kapstället, stoppa motorn, lägg ned motorsågen och använd den planerade reträttvägen. Var uppmärksam på grenar över huvudet och se upp med fotplaceringen.

UNDERHÅLL

⚠ VARNING: Vid service ska enbart identiska utbyteskomponenter användas. Användning av andra delar kan skapa risker eller orsaka produktskador. För att garantera en säker och pålitlig användning måste alla reparationer utföras av en kvalificerad servicetekniker.

⚠ VARNING: Undvik allvarliga personskador genom att ta bort batteripaketet från produkten innan inspektion, rengöring eller underhåll utförs. Ett batteridrivet verktyg med batteripaketet isatt är alltid påslaget och kan starta oavsiktligt.

⚠ VARNING: Vid rengöring av motorsågen, sänk INTE ned den i vatten eller annan vätska.

⚠ VARNING: Låt aldrig bromsvätska, bensin, petroleumbaserade produkter, penetrerande oljor etc. komma i kontakt med plastdelar. Kemikalier kan skada, försvaga eller förstöra plast vilket kan resultera i allvarliga personskador.

RENGÖRING

- Efter varje användning, ta bort skräp från kedjan och svärdet med en mjuk borste. Torka av motorsågens yta med en ren trasa fuktad med en mild tvällösning.
- Ta bort sidokåpan och använd sedan en mjuk borste för att ta bort skräp från svärdet, sågkedjan, kedjehjulet och sidokåpan.
- Rensa alltid bort träspån, sågspån och smuts från svärdets spår när sågkedjan byts.

UNDERHÅLL AV SVÄRDET

När svärdet visar tecken på slitage, ska den demonteras från motorsågens drivenhet och vändas för återmontering (bild R1). På detta sätt kommer slitaget att fördelas för att maximera svärdets livslängd.

Svärdet skall rengöras dagligen efter användning och kontrolleras om det är slitet. Skägning och gradning hos sågsvärdet är en normal process vid svärdsslitage. Sådana fel skall jämnas till med en fil så snart som de uppstår. Ett svärd med något av följande fel skall bytas ut.

- Slitage på insidan av svärdsspåren som låter kedjan

glida över åt sidan.

- Böjt sågsvärd.
- Spräckta eller trasiga spår.
- Breddade spår.

Dessutom har svärdet en kugge på dess spets (bild R2). Kuggen måste smörjas veckovis med fettspruta för att öka svärdets livslängd. Använd en fettspruta för att smörja varje vecka med kedjeolja med hjälp av smörjhålet (bild R3). Vrid svärdet och kontrollera att smörjhålen och kedjespåret är fria från föroreningar.

R-1	Kedjekrans i svärdsspetsen
R-2	Smörjhål

TRANSPORT OCH FÖRVARING

- Förvara inte eller transportera motorsågen när den körs. Ta alltid bort batteripaketet innan förvaring och transport.
- Placera alltid svärdsskyddet på svärdet och kedjan innan förvaring eller transport av motorsågen. Var försiktig för att undvika de vassa tänderna på kedjan.
- Bär alltid produkten i dess främre handtag.
- Skydda produkten från kraftiga stötar eller starka vibrationer som kan uppstå under transport i fordon.
- Rengör motorsågen noggrant och töm oljetanken innan förvaring. Förvara motorsågen inomhus på en torr plats som är låst och/eller oåtkomlig för barn.
- Håll den undan från korrosiva medel såsom trädgårdskemikalier och avisningsalt.

SKYDDA MILJÖN



Kasta inte elektrisk utrustning, använt batteri och laddare i hushållsoporna!

Ta denna produkt till en auktoriserad återvinnare och gör den tillgänglig för separat insamling. Elektriska verktyg måste returneras till en miljöanpassad återvinningsanläggning.

SE

FELSÖKNING

⚠ VARNING: Skydda alltid dina händer genom att använda kraftiga handskar när underhåll utförs på kedjesågen. Ta alltid bort batteripaketet vid service eller transport av motorsågen.

SE

PROBLEM	ORSAK	LÖSNING
Motorn kör inte.	<ul style="list-style-type: none"> ■ Batteripaketet är inte fastsatt på motorsågen. ■ Ingen elektrisk kontakt mellan såg och batteripaket. ■ Batteripaketets laddning är slut. ■ Batteripaketet eller motorsågen är för het. ■ Startspärren är inte tillbakatryckt innan avtryckaren trycks in. ■ Kedjebromsen är aktiverad. ■ Sågkedjan är klämd i trä. ■ Skräp i svärdsspåret. ■ Skräp i sidokåpan. ■ Använd batteripaket med 4,0 Ah eller högre. 	<ul style="list-style-type: none"> ■ Sätt in batteriet i motorsågen. ■ Ta bort batteripaketet, kontrollera kontakterna och sätt tillbaka batteripaketet. ■ Ladda batteripaketet. ■ Låt batteripaketet eller motorsågen svalna tills temperaturen sjunker till det rekommenderade driftstemperaturintervallet. ■ Tryck ned startspärren och håll kvar, tryck sedan på avtryckaren för att slå på motorsågen. ■ Dra kedjans rekylbromspaddel bakåt mot fronthandtaget tills driftläget nås. ■ Släpp avtryckaren, ta bort sågkedjan och svärdet från trä, starta sedan om motorsågen. ■ Tryck motorsågen mot trä, flytta motorsågen fram och tillbaka för att lossa skräpet. ■ Ta bort batteripaketet, ta sedan bort sidokåpan och rensa bort skräpet. ■ Används endast med EGO 2,5 Ah batteripaket BA1400 och BA1400T.
Motorsågen stannar oväntat under drift.	<ul style="list-style-type: none"> ■ Motorsågen är överbelastad. ■ Batteripaketet eller motorsågen är för het. ■ Sågkedjan är klämd i trä. 	<ul style="list-style-type: none"> ■ Minska belastningen. ■ Låt batteripaketet eller motorsågen svalna tills temperaturen sjunker till det rekommenderade driftstemperaturintervallet. ■ Släpp avtryckaren, ta bort sågkedjan och svärdet från trä, starta sedan om motorsågen.
Motorn körs men kedjan roterar inte.	<ul style="list-style-type: none"> ■ Kedjan kuggar inte in i kedjedrivhjulet. 	<ul style="list-style-type: none"> ■ Ta bort batteripaketet och installera om kedjan, se till att drivlänkarna på kedjan är helt isatt i kedjehjulet.
Kedjebromsen aktiveras inte.	<ul style="list-style-type: none"> ■ Skräp förhindrar fullständig rörelse hos kedjans rekylbromspaddel. ■ Möjligt funktionsfel hos kedjebromsen. 	<ul style="list-style-type: none"> ■ Rensa bort skräp från den externa kedjebromsmekanismen. ■ Sluta använda motorsågen omedelbart! Kontakta EGO kundtjänst för hjälp.

PROBLEM	ORSAK	LÖSNING
Motorsågen sågar inte korrekt.	<ul style="list-style-type: none"> ■ Otilräcklig kedjespänning. ■ Slö kedja. ■ Kedjan installerad baklänges. ■ Sliten kedja. ■ Torr eller kraftigt sträckt kedja. ■ Kedjan är inte i svärdsspåren. 	<ul style="list-style-type: none"> ■ Justera kedjespänningen enligt följ sektionen: “INSTÄLLNING AV KEDJESPÄNNINGEN”. ■ Vässa kedjan. ■ För att montera tillbaka sågkedjan, följ avsnittet “MONTERA/BYTA UT SVÄRDET OCH KEDJA”. ■ Byt kedjan enligt följ sektionen: “MONTERING/BYTE AV SVÄRDET OCH KEDJAN”. ■ Kontrollera oljenivån. Fyll på oljebehållaren om så behövs. ■ Installera om kedjesågen enligt följande sektion: “MONTERING/BYTE AV SVÄRDET OCH KEDJAN”.
Kedjan blir lös och hoppar av svärdet vid normal användning.	<ul style="list-style-type: none"> ■ Kedjan kommer att bli lös då temperaturen på kedjan ökar under normalt sågarbete. ■ Kedjan kuggar inte in i kedjedrivhjulet. 	<ul style="list-style-type: none"> ■ Spänn kedjan genom att följa sektionen “INSTÄLLNING AV KEDJESPÄNNINGEN”. ■ Installera om kedjesågen enligt följande sektion: “MONTERING/BYTE AV SVÄRDET OCH KEDJAN”.
Svärdet och kedjan körs het och ryker.	<ul style="list-style-type: none"> ■ Kontrollera kedjespänningens åtdragningsförhållande. ■ Kedjeoljetanken är tom. ■ Skräp i svärdspåret. 	<ul style="list-style-type: none"> ■ Återspänn kedjan genom att följa sektionen “INSTÄLLNING AV KEDJESPÄNNINGEN”. ■ Fylla på oljebehållaren med smörjmedel för svärdet och kedjan. ■ Tryck motorsågen mot trä, flytta motorsågen fram och tillbaka för att lossa skräpet.

SE

GARANTI

EGO GARANTIPOLICY

Besök webbsidan egopowerplus.eu för fullständiga villkor för EGO garantipolicy.

LUE KAIKKI OHJEET!



LUE KÄYTTÖOPAS

VAROITUS: Pätevän huoltoteknikon tulee suorittaa kaikki korjaukset, jotta voidaan taata tuotteen turvallinen ja luotettava käyttö.

VAROITUS: Lue ja ymmärrä tämän käyttöoppaan kaikki turvallisuusohjeet, mukaan lukien turvallisuusvaroitusymbolit, kuten "VAARA", "VAROITUS" ja "HUOMIO" ennen laitteen käyttämistä. Alla olevien ohjeiden noudattamatta jättäminen saattaa aiheuttaa sähköiskun, tulipalon ja/tai vakavan henkilövahingon.

SÄILYTÄ KAIKKI VAROITUKSET JA OHJEET MYÖHEMPÄÄ KÄYTTÖÄ VARTEN.

TURVALLISUUSYMBOLIT

FI

VAROITUS: Minkä tahansa koneen käyttö saattaa aiheuttaa vierasesineiden sinkoutumisen silmiin, mikä voi aiheuttaa vakavia silmävammoja. Käytä aina suojalaseja, joissa on sivusuojat, ja tarvittaessa koko kasvot peittävää suojaa, kun käytät sähkötyökaluja. Silmälasien päällä suosittelemme käytettäväksi suojamaskia, jossa on laaja näkökenttä, tai tavallisia suojalaseja, joissa on sivusuojat.



Turvallisuushälytys



Käytä silmäsuojaimia



Käytä suojakypärää



Terälevyn kärjen takapotku



Varo moottorisahan takapotkua ja vältä kosketusta terälevyn kärkeen



Taattu äänitehotaso. Melupäästöt ympäristöön Euroopan yhteisön direktiivin mukaiset.



Tämä tuote vastaa sovellettavia EU-direktiivejä.



Tasavirta

mm Millimetri

V Jännite



Käyttäjän on luettava ja ymmärrettävä käyttöopas ennen tämän laitteen käyttöä loukkaantumisvaaran vähentämiseksi.



Käytä kuulosuojaimia



Käytä suojakäsineitä



Käytä moottorisahaa aina kahdella kädellä



Terälevyn tiedot



Vanhoja sähkölaitteita ei saa hävittää kotitalousjätteen mukana. Vie laite valtuutettuun kierrätyslaitokseen.



Tämä tuote vastaa sovellettavaa UK-lainsäädäntöä.

IPX4

Suojaus roiskevedeltä

n_0

Tyhjäkäyntinopeus

./min

per minuutti

TEKNISET TIEDOT

Nimellisjännite	56 V
Maks. Ketjun nopeus	20 m/s
Ketjujako	1/4" (6,4 mm)
Ketjumittari	1,1 mm
Terälevyn pituus	300 mm
Teräketjun malli	AC1204Q (suositeltu)
	AC1000Q (yhteensopiva)
Terälevyn malli	AG1000Q (yhteensopiva)
Teräketju- ja terälevysarjan malli	AK1204Q (suositeltu)
Ketjuöljysäiliön tilavuus	150 ml
Paino (ilman akkua, teräketjua, terälevyä, sivusuojusta, öljyä ja ketjunsuojusta)	1,9 kg
Suosittelun käyttölämpötila	-15-40 °C
Suosittelun säilytyslämpötila	-20-70 °C
Suosittelun latauslämpötila	5-40 °C
Mitattu äänitehotaso L_{WA}	97 dB(A)
	K=3,6 dB(A)
Äänenpaineen taso käyttäjän kohdalla L_{PA}	89 dB(A)
	K=3 dB(A)
Taattu äänen tehotaso L_{WA} (mitattu 2000/14/EY mukaisesti)	101 dB(A)
Tärinä a_h	Etukahva 2,64 m/s ² K=1,5 m/s ²
	Takakahva 2,05 m/s ² K=1,5 m/s ²

- Ilmoitettu tärinän kokonaispäästöarvo on mitattu standarditestausmenetelmän mukaisesti, ja sen avulla voidaan vertailla työkaluja keskenään;
- Ilmoitettua tärinän kokonaispäästöarvoa voidaan käyttää myös altistumisen alustavaan arviointiin.

HUOMAUTUS: Työkalun käytön aikana mitattu todellinen tärinäpäästöarvo voi poiketa ilmoitetusta kokonaispäästöarvosta työkalun käyttötavasta johtuen; käyttäjän suojaamiseksi tulee käyttää käsinettä ja kuulosuojaimia varsinaisissa käyttöolosuhteissa.

PAKKAUSLUETTELO (KUVA A1)

KUVAUS

TUNNE MOOTTORISAHASI (kuva A1)

1. Terälevy
2. Teräketju
3. Ketjun takapotkun jarrukahva
4. Takakahva
5. Etukahva
6. Öljyntarkastusikkuna
7. Öljytankin korkki
8. Lukituskieli
9. Liipaisinkytkin
10. Akun vapautuspainike
11. Sivukansi
12. Lattamutteri
13. Kiristysruuvi
14. Voiteluaukko
15. Teräsuoja
16. Nauharipustin
17. Yhdistelmäavain

FI

KOKOAMINEN

TERÄLEVYN JA KETJUN KOKOAMINEN/ VAIHTAMINEN

VAROITUS: Varmista ennen kokoamista tai huoltoa, että akku on poistettu. Tämän varoituksen huomiotta jättäminen voi johtaa vakavaan henkilövahinkoon.

VAROITUS: Säädä ketjun takapotkun jarrukahva jarrutusasettoon ennen kokoamista.

VAROITUS: Käytä aina hansikkaita, kun käsittelet terälevyä ja ketjua; nämä komponentit ovat teräviä ja niissä saattaa olla kulumia.

1. Aseta moottorisahan akkupää kyljelleen niin, että sivukansi osoittaa ylös (kuva B).
2. Irrota sivukansi kääntämällä levyn mutteria vastapäivään.
3. Löysää ketjun kireyttä kääntämällä kiristysruuvia vastapäivään.
4. Aseta teräketju silmukaksi tasaiselle alustalle ja oikaise mahdolliset kiertymät (kuva C).

5. Laita ketjun vetolenkit terälevyn uraan ja tee ketjusta silmukka terälevyn takaosaan (kuva D).
6. Pidä ketjua paikallaan terälevyssä ja aseta silmukka sahan ketjupyörän ympärille (kuva E1).

D-1	Ketjun vetolenkki	E-2	Kohdistuslaipat
D-2	Terälevyn ura	E-3	Kiristystappi
E-1	Vetopyörä	E-4	Kiinnityspultti

HUOMAUTUS: Kun pujotat teräketjua terälevyn päälle, varmista, että terälevyn sahaan asentamisen jälkeen hampaiden suunta vastaa sahan kotelossa olevaa kuvaketta ja pyörimissuunnan nuolta (kuva E1). Jos ne osoittavat vastakkaisiin suuntiin, asenna teräketju uudelleen terälevyn päälle siten, että hampaat osoittavat samaan suuntaan (kuva E2).

FI

7. Aseta terälevy kiinnityspinnalle liu'uttamalla terälevyn aukko kohdistuslaippojen päälle. Varmista, että terälevy on sijoitettu oikein kiinnityspultin ja kiristystapin päälle.
8. Aseta sivukansi takaisin moottorisahan koteloon (kuva E3) ja kiristä terälevyn mutteri täysin.

HUOMAUTUS: Kokoonpanon ja huollon aikana terälevyn alla oleva metallilevy (kuva F) voi ponnahtaa esiin. Jos näin tapahtuu, puhdista tämän metallikappaleen ja kotelon välinen rako huolellisesti ja paina metallilevy takaisin niin, että se on **koteloa vasten**. Metallilevyn puhdistamatta jättäminen ja virheellinen sijoittaminen aiheuttavat terälevyn kohdistusvirheen.

9. Pyöritä ketjua käsin tarkistaaksesi, että ketju on oikein asennettu eikä jää kiinni. Muutoin asenna ketju ja terälevy uudelleen.

HUOMAUTUS: Pidennä terälaipan käyttöikää kääntämällä se väliillä ympäri.

KETJUN KIREYDEN SÄÄTÖ

- Sammuta moottori ja irrota akkuyksikkö ennen kuin säädät ketjun kireyttä. Käännä kiristysruuvia myötä- tai vastapäivään ketjun kireyden säätämiseksi (kuva F), kunnes ketju istuu tiukasti terälevyä vasten vetolenkkien ollessa terälevyn urassa.
- Kylmä ketju on oikein kiristetty, kun ketju ei ole löysällä terälaipan alapuolella ja ketju on tiukka, mutta sitä voidaan kääntää käsin ongelmitta. Ketju on kiristettävä uudelleen aina silloin, kun liikeliihtinten tasanteet eivät osu terälevyn uraan.
- Ketjun lämpötila nousee normaalin sahausken aikana.

Oikein kiristetyn lämpimän ketjun vetolenkit roikkuvat noin 1–2 mm terälevyn urasta (kuva G).

HUOMAUTUS: Uusilla ketjuilla on tapana venyä; tarkasta ketjunkireys säännöllisesti ja kiristä ketjua tarvittaessa.

HUOMAUTUS: Lämpimänä kiristetty ketju voi olla liian tiukka, kun se on jäähtynyt. Tarkasta kylmäkireys ennen seuraavaa käyttöä.

KÄYTTÖ

VAROITUS: Älä anna tämän laitteen tuttuuden tehdä sen käsittelystä huolimattontta. Muista, että sekunnin sadasosankin huolimattomuus riittää vakavan vammän aiheutumiseen.

VAROITUS: Älä käytä lisälaitteita tai lisävarusteita, jos tämän tuotteen valmistaja ei ole suositellut niitä. Tällaisten lisävarusteiden tai apuvälineiden käyttö saattaa aiheuttaa vakavia henkilövahinkoja.

VAROITUS: Poista akku työkalusta aina, kun kokoat osia, teet muutoksia tai puhdistat laitetta tai kun et käytä sitä. Näin varmistat, ettei laite käynnisty vahingossa eikä aiheuta vakavia henkilövahinkoja.

Ennen jokaista käyttökertaa tarkista laite kokonaisuudessaan vahingoittuneiden, puuttuvien tai löysin osien varalta (esim. mutterit, pultit, korkit yms.). Kiinnitä kaikki kiinnittimet ja korkit tiukasti äläkä käytä laitetta ennen kuin kaikki puuttuvat tai vahingoittuneet osat on vaihdettu.

KÄYTTÄMINEN

Voit käyttää tätä tuotetta puiden peruskarsintaan.

VAROITUS: Älä käytä tätä moottorisahaa puussa, ellei sinua ole erityisesti koulutettu tekemään niin. Moottorisahan käyttö puussa ilman asianmukaista koulutusta voi lisätä vakavien henkilövahinkojen vaaraa.

HUOMAUTUS: Konetta saa käyttää vain sille määritettyyn tarkoitukseen. Kaikki muu käyttö katsotaan väärinkäytöksi.

TERÄLEVYN JA KETJUN VOITELUAINEN TÄYTTÖ

VAROITUS: Älä polta tai pidä tulita öljyn tai moottorisahan lähellä. Öljy voi läikkyä ja seurauksena voi olla tulipalo.

HUOMAUTUS: Moottorisahassa ei ole ostohetkellä öljyä. On tärkeää täyttää säiliö öljyllä ennen käyttöä. Ketju

voidellaan automaattisesti ketjuöljyllä käytön aikana, jos säiliössä on riittävästi öljyä.

1. Aseta moottorisaha kyljelleen niin, että säiliön korkki osoittaa ylös.
2. Puhdista öljysäiliön korkki ja sitä ympäröivä alue, jotta likaa ei pääse öljysäiliöön.
3. Nosta puoliympyrän muotoinen levy ylös ja poista öljysäiliön korkki kääntämällä sitä vastapäivään (kuva H).
4. Kaada varovasti terälevy- ja ketjuöljyä säiliöön. Täytä täyttökaulan pohjaan saakka.
5. Pyyhi ylimääräiset öljyt pois ja laita korkki paikoilleen.

HUOMAUTUS: Tarkista öljyn taso säännöllisesti ja täytä, jos öljyn taso on minimilinjan alapuolella. Älä käytä moottorisahaa, jos öljyä ei enää näy.

NAUHAN SILMUKAN KÄYTTÄMINEN (kuva H)

VAROITUS: Peitä teräketju ja terälevy aina ketjusuojuksella ripustaessasi moottorisahan työkaluhihnaan. Teräketju on terävä ja voi aiheuttaa vakavia vammoja.

VAROITUS: Käytä riittävän vahvaa nauhaa, jotta se kestää moottorisahan ja akun yhteispainon. Moottorisahan putoamisesta voi aiheutua vakavia vammoja ja omaisuusvahinkoja.

AKUN LIITTÄMINEN/POISTAMINEN

Käytä vain EGO:n akkuja ja latureita, jotka on lueteltu alla kuvassa A2.

Lataa täyteen ennen ensimmäistä käyttökertaa.

Liittäminen

Aseta akun ulokkeet kiinnitysaukoihin ja paina akkua alaspäin, kunnes kuulet ”napsahduksen” (kuva I).

Poistaminen

Paina akun vapautuspainiketta ja vedä akku irti (kuva J).

VAROITUS: Pidä sopiva tasapaino sahausken aikana käyttämällä vain akun BA1400/BA1400T kanssa.

MOOTTORISAHAN KÄYNNISTÄMINEN/ SAMMUTTAMINEN

HUOMAUTUS: Ennen kuin käynnistät moottorisahan, tarkista öljytaso, ketjun kireys, sahan hampaiden terävyys ja takapotkun jarrukahvan toimivuus. Lisäksi tarvittavat tasapainoiset asennon ja riittävän etäisyyden maan ja moottorisahan välillä.

Käynnistäminen (kuva K)

1. Vedä ketjun takapotkun jarrukahva kohti etukahvaa toiminta-asentoon (kuva K).
 2. Tartu etukahvaan tukevasti **vasemmalla** kädellä ja takakahvaan **oikealla** kädellä.
- VAROITUS:** Loukkaantumisen välttämiseksi käytä moottorisahaa aina oikealla kädellä tarttuen takakahvan tartunta-alueeseen (kuva L).
3. Siirrä lukituskieltä eteenpäin ja käynnistä saha sitten painamalla liipaisinkytkintä (kuva L).

L-1	Tartunta-alue
-----	---------------

4. Vapauta lukituskieleke ja jatka liipaisimen puristamista, jotta laite pysyy käynnissä.
5. Mitä pidemmälle liipaisinkytkin painetaan, sitä suurempi on ketjun nopeus. Säädä nopeus tehtävän työn mukaan.

VAROITUS: Älä yritä käynnistää sahaa, kun teräketju on leikattavan asian keskellä.

Pysäyttämisen

1. Siirrä moottorisaha pois sahausalueelta ja vapauta sitten liipaisinkytkin moottorisahan pysäyttämiseksi.
2. Työnnä ketjun takapotkun jarrukahva eteenpäin jarrutusasettoon, niin ketjun jarru on käytössä (kuva K).

VAROITUS: Poista akku koneesta aina, kun pidät työstä taukoa ja kun lopetat työskentelyn.

OIKEA OTE KAHVOISTA (KUVA M)

- Käytä liukumisen estäviä käsineitä, jotta saat parhaan mahdollisen otepitävyuden ja suojan.
- Pidä sahausta kiinni molemmin käsin, kun se on tukevalla, tasaisella alustalla.
- Tartu etukahvaan vasemmalla kädellä ja takakahvaan oikealla kädellä.
- Sormien tulisi kiertyä kahvan ympärille niin, että peukalo on kiertynyt etukahvan alle.

VAROITUS: Älä käytä vasenkätistä (ristikätistä) otetta tai asentoa, joka saattaisi asettaa kätesi tai kehosi teräketjun eteen.

VAROITUS: Älä käytä liipaisinkytkintä vasemmalla kädelläsi ja pidä etukahvaa oikealla kädelläsi. Älä päästä mitään osaa kehostasi sahauslinjalle moottorisahalla työskentelyn aikana (kuva N).

OIKEA SAHAUSAASENTO (KUVA O)

- Molemmat jalat tukevasti maassa ja paino jakautuneena niille tasaisesti.
- Vasen käsi suorana ja kyynärpää lukittuneena. Tämä auttaa kestävästi takapotkun aiheuttamia voimia.
- Vartalosi pitäisi olla aina teräketjun vasemmalla puolella.

YLEISET SAHAUSTEKNIIKAT

VAROITUS: Seiso aina tasapainoisesti ja pidä moottorisahaa molemmilla käsillä, kun se on käynnissä.

VAROITUS: Kun moottorisaha sammuu, koska se juuttuu sahausajan aikana johonkin, irrota ote liipaisinkytkimestä; irrota teräketju ja terälevy puusta ja käynnistä moottorisaha uudelleen.

VAROITUS: Älä vedä teräketjua käsin, kun se sakkaa sahanpurun takia. Jos moottorisaha käynnistyy vahingossa, se saattaa aiheuttaa vakavan vamman. Paina teräketjua puuta vasten ja liikuta moottorisahaa eteen ja taakse irrottaaksesi irtoaineksen. Poista akku aina ennen puhdistusta. Käytä tukevia suojahansikkaita, kun käsittelet teräketjua.

VAROITUS: Älä ikinä käynnistä moottorisahaa, kun se koskettaa puuhun. Anna moottorisahan kiihtyä täyteen nopeuteensa ennen kuin käytät sitä puun sahaamiseen.

VAROITUS: Tätä yläkahvaista moottorisahaa ei ole tarkoitettu käytettäväksi maassa, joten tämä käyttöohje ei sisällä ohjeita puiden kaatamiseen, karsimiseen ja pilkkomiseen.

VAROITUS: Nämä puuohjeet koskevat tätä yläkahvaista moottorisahaa, joka on suunniteltu yksinomaan sertifioiduille ammattilaisille, jotka ovat saaneet koulutuksen puuston hoitoon.

VAROITUS: Latvasta pätkiminen voi johtaa loukkaantumiseen. Sen saa suorittaa vain koulutettu henkilö.

VAROITUS: Jos käytät sahaa ensimmäistä kertaa, harjoittele pölkkyjen sahaamista sahapukin tai telineen päällä.

VAROITUS: Älä työskentele puissa, jos tuuli on voimakas.

VAROITUS: Varmista, että kaikki sivulliset ovat poissa kaatumisalueelta ennen työskentelyn aloittamista.

VAROITUS: Pidä itsesi ja laitteesi aina etäällä poistettavasta materiaalista.

HUOMIO: Varmista, että akku on ladattu täyteen ennen kuin työskentelet puussa.

Raivaus (kuva P)

Noudata alla olevia vaiheita, jotta estät puun tai puun kuoren vaurioitumisen. Älä käytä edestakaista sahausliikettä.

1. Tee ensin matala ensimmäinen sahaus (1/3 oksan halkaisijasta) oksan alapuolelle lähelle pääoksa tai runkoa.
2. Tee toinen sahaus oksan yläpuolelle ulospäin ensimmäisestä sahauskohdasta. Jatka sahaamista oksan läpi, kunnes oksa irtoaa puusta. Ole valmis tasapainottamaan työkalun painoa ja varmista, että olet irti siitä ennen sahausajan suorittamista.
3. Tee lopullinen sahaus läheltä runkoa.

Latvasta pätkiminen

Poista ennen latvasta alaspäin pätkimistä irtonainen kuoriossa, naulat, niitit ja rautalangat puusta, johon pätkimissahaukset tehdään.

Alempi lovi

Tee runkoon lovi, joka ulottuu 1/4 puun halkaisijasta ja on kohtisuoraan kaatumissuuntaan kuvan Q osoittamalla tavalla. Sahaa ensin alempi vaakasuora lovi. Se auttaa välttämään teräketjun tai terälevyn puristuksiin jäämisen, kun toista lovea sahataan.

Q-1	Kaatumissuunta	Q-3	Kaatosahaus
Q-2	Lovi	Q-4	Sarana

Kaatosahaus

- Tee kaatosahaus samalle korkeudelle vaakasuoran loven kanssa, kuten kuvassa Q näytetään. Tee kaatosahaus samansuuntaisesti vaakasuoran loven kanssa. Tee kaatosahaus niin, että jäljelle jää riittävästi puuta saranana toimimiseen. Sarana pitää huolta siitä, ettei puu käännä ja kaadu väärään suuntaan. Älä sahaa läpi saranasta.
- Kun kaatosahaus on lähellä saranaa, puun pitäisi alkaa kaatua. Jos on olemassa mahdollisuus, että puu ei kaadu haluttuun suuntaan tai että se saattaa kaatua kohti sahaa ja lukita teräketjun, lopeta sahaaminen ennen kuin kaatosahaus on valmis ja käytä puisia, muovisia tai alumiinisia kiiloja pitämään lovi avonaisena. Kaada puu sitten haluttuun suuntaan.

- Kun puu alkaa kaatua, poista moottorisaha lovesta, sammuta moottori ja aktivoi ketjujarru. Varo ylhäältä putoavia oksia ja katso mihin astut.

KUNNOSSAPITO

VAROITUS: Käytä huollon yhteydessä vain identtisiä varaosia. Muiden osien käyttö saattaa aiheuttaa vaaran tai laitteen vaurioitumisen. Pätevän huoltoteknikon tulee suorittaa kaikki korjaukset, jotta voidaan taata tuotteen turvallinen ja luotettava käyttö.

VAROITUS: Vakavan henkilövamman välttämiseksi poista akku laitteesta, kun tarkistat laitetta, puhdistat sitä tai suoritat huoltotoimenpiteitä. Akkukäyttöinen laite, jossa on akku paikallaan, on aina päällä ja saattaa käynnistyä vahingossa.

VAROITUS: Kun puhdistat moottorisahaa, ÄLÄ upota sitä veteen tai muihin nesteisiin.

VAROITUS: Älä anna jarrunesteiden, bensiinin, ruosteen irrotusaineiden tai muiden öljypohjaisten tuotteiden joutua kosketuksiin muoviosien kanssa. Kemikaalit saattavat vahingoittaa, heikentää tai tuhota muovia, mikä saattaa aiheuttaa vakavan henkilövamman.

PUHDISTAMINEN

- Puhdista irtoaines ketjusta ja terälevystä jokaisen käyttökerran jälkeen pehmeällä harjalla. Pyyhi moottorisahan pinta puhtaalla, mietoon saippualliuokseen kostutetulla liinalla.
- Poista sivukansi ja käytä pehmeää harjaa poistamaan irtoaines terälevystä, teräketjusta, ketjupyörästä ja sivukannesta.
- Puhdista aina puulastut, sahanpuru ja lika terälevyn urasta, kun vaihdat teräketjun.

TERÄLEVYN KUNNOSSAPITO

Kun terälevyssä näkyy kulumisen merkkejä, irrota se moottorisahan akkupäästä, käännä se ja kiinnitä takaisin (kuva R1). Tällä tavalla sen käyttöikä on mahdollisimman pitkä.

Terälevy tulee puhdistaa jokaisena käyttöpäivänä ja tarkistettava kulumisen ja vahingoittumisen varalta. Terälevyn kiskojen rispaantuminen tai epätasaisuus on tavallista terälevyn kulumista. Nämä viat voidaan korjata viilalla heti niiden ilmestyessä. Terälevy, jossa on jokin seuraavista vioista, pitää vaihtaa.

- Kulumista terälevyn kiskojen sisäpuolella, jonka takia ketju voi olla liikkua sivuttain.

- Vääntynyt terälevy.
- Halkeilleet tai rikkiinäiset kiskot.
- Levinneet kiskot.

Terälevyn kärjessä on lisäksi kärkipyörä (kuva R2). Kärkipyörä on voideltava viikoittain rasvaruiskulla, jotta terälevyn käyttöikä pitenee. Käytä rasvaruiskua viikoittain ja voitele ketjuöljyllä voiteluaukon kautta (kuva R3). Käännä terälevy ja tarkista, että voitelurei'issä ja ketjun urassa ei ole epäpuhtauksia.

R-1	Terälevyn kärkipyörä
R-2	Voiteluaukko

KULJETUS JA VARASTOINTI

- Älä varastoi tai kuljeta moottorisahaa, kun se on käynnissä. Irrota aina akkuyksikkö ennen varastointia tai kuljetusta.
- Laita aina terälevyn suojus terälevyn ja ketjun päälle ennen kuin varastoit tai kuljetat moottorisahaa. Varo ketjun teräviä hampaita.
- Kuljeta tuotetta aina etukahvasta.
- Suojaa tuotetta kovilta iskuilta tai voimakkaalta tärinältä, joita voi esiintyä kuljetuksen aikana ajoneuvoissa.
- Puhdista moottorisaha huolellisesti ja tyhjennä öljysäiliö ennen varastointia. Säilytä moottorisahaa sisällä kuivassa paikassa, johon lapset eivät pääse.
- Pidä poissa syövyttävien aineiden, kuten puutarhakemikaalien ja jäänestosuolojen, läheltä.

YMPÄRISTÖNSUOJELU



Älä hävitä sähkölaitteita, käytettyjä akkuja tai laturia kotitalousjätteen seassa!

Vie tämä tuote hyväksytyyn kierrätyspaikkaan tai anna se erilliseen keräilyyn. Sähkötyökalut tulee palauttaa asianmukaiseen ympäristöystävälliseen kierrätyslaitokseen.

VIANMÄÄRITYS

VAROITUS: Suojaa aina kätesi paksuilla käsineillä silloin, kun teet ylläpitöitä sahan teräketjulle. Poista aina akku, kun huollat tai kuljetat moottorisaha.

FI

ONGELMA	SYY	RATKAISU
Moottori ei käy.	<ul style="list-style-type: none"> ■ Akkua ei ole liitetty moottorisahaan. ■ Sahan ja akun välillä ei ole sähköyhteyttä. ■ Akun varaus on tyhjentynyt. ■ Akku tai moottorisaha on ylikuumentunut. ■ Lukituskieltä ei ole painettu pohjaan ennen kuin liipaisinkytkintä painetaan. ■ Ketjujarru on käytössä. ■ Teräketju on jäänyt puristuksiin puuhun. ■ Terälevyn urassa on irtoainesta. ■ Sivukannessa on irtoainesta. ■ Käytä 4,0 Ah:n tai suuremman Ah-tehon akkuja. 	<ul style="list-style-type: none"> ■ Liitä akku moottorisahaan. ■ Poista akku, tarkista koskettimet ja asenna akku uudelleen paikalleen. ■ Lataa akku. ■ Anna akun tai moottorisahan jäähtyä, kunnes lämpötila laskee suositellulle käyttölämpötila-alueelle. ■ Pidä lukituskieltä pohjassa samalla, kun painat käynnistysliipaisinta niin moottorisaha käynnistyy. ■ Vedä ketjun takapotkun jarrukahvaa taaksepäin kohti etukahvaa toiminta-asentoon. ■ Irrota ote liipaisinkytkimestä; poista teräketju ja ohjausterälevy puusta ja käynnistä moottorisaha uudelleen. ■ Paina teräketjua puuta vasten ja liikuta moottorisahaa eteen ja taakse irrottaaksesi irtoaineksen. ■ Poista akku, poista sivukansi ja puhdista irtoaines. ■ Käytä vain EGO 2,5 Ah akkujen BA1400 ja BA1400T kanssa.
Moottori käy, mutta ketju ei pyöri.	<ul style="list-style-type: none"> ■ Moottorisaha on ylikuormittunut. ■ Akku tai moottorisaha on ylikuumentunut. ■ Teräketju on jäänyt puristuksiin puuhun. 	<ul style="list-style-type: none"> ■ Vähennä kuormitusta. ■ Anna akun tai moottorisahan jäähtyä, kunnes lämpötila laskee suositellulle käyttölämpötila-alueelle. ■ Irrota ote liipaisinkytkimestä; poista teräketju ja ohjausterälevy puusta ja käynnistä moottorisaha uudelleen.
Motor runs, but chain does not rotate.	<ul style="list-style-type: none"> ■ Ketju ei kiinnity vetopyörään. 	<ul style="list-style-type: none"> ■ Poista akkuyksikkö, asenna ketju uudelleen varmistaen, että ketjun vetolenkit ovat kokonaan paikoillaan ketjupyörässä.
Ketjun jarru ei toimi.	<ul style="list-style-type: none"> ■ Irtoaines estää ketjun takapotkun jarrukahvan vapaan liikkeen. ■ Mahdollinen ketjujarrun vikatila. 	<ul style="list-style-type: none"> ■ Puhdista lika ulkoisesta ketjun jarrumeکانismista. ■ Lopeta moottorisahan käyttö heti! Ota yhteyttä EGO:n asiakaspalveluun korjausta varten.

ONGELMA	SYY	RATKAISU
Moottorisaha ei sahaa kunnolla.	<ul style="list-style-type: none"> ■ Riittämätön ketjun kiristys. ■ Tylsä ketju. ■ Ketju asennettu väärin päin. ■ Kulunut ketju. ■ Kuiva tai liian kireä ketju. ■ Ketju ei ole terälevyn urassa. 	<ul style="list-style-type: none"> ■ Säädä ketjun kireyttä, kuten osiossa: "KETJUN KIREYDEN SÄÄTÖ". ■ Teroita ketju. ■ Asenna teräketju uudelleen osion "TERÄLEVYN JA KETJUN KOKOAMINEN/VAIHTAMINEN" mukaisesti. ■ Vaihda ketju, kuten osiossa: "TERÄLEVYN JA KETJUN KOKOAMINEN/VAIHTAMINEN". ■ Tarkista öljytilanne. Lisää öljysäiliöön tarvittaessa öljyä. ■ Asenna teräketju uudelleen, kuten osiossa: "TERÄLEVYN JA KETJUN KOKOAMINEN/VAIHTAMINEN".
Ketju löystyy tai putoaa terälevyiltä normaalin käytön aikana.	<ul style="list-style-type: none"> ■ Ketjun löystyy, koska ketjun lämpötila nousee normaalin sahauksen aikana. ■ Ketju ei kiinnity vetopyörään. 	<ul style="list-style-type: none"> ■ Säädä ketjun kireyttä, kuten osiossa "KETJUN KIREYDEN SÄÄTÄMINEN". ■ Asenna teräketju uudelleen, kuten osiossa: "TERÄLEVYN JA KETJUN KOKOAMINEN/VAIHTAMINEN".
Terälevy ja ketju ovat kuumia ja savuavia.	<ul style="list-style-type: none"> ■ Tarkista ketjun kireys, se saattaa olla liian kireällä. ■ Ketjun öljysäiliö on tyhjä. ■ Irtoainesta terälevyn urassa. 	<ul style="list-style-type: none"> ■ Säädä ketjun kireyttä uudelleen, kuten osiossa "KETJUN KIREYDEN SÄÄTÄMINEN". ■ Täytä säiliöön terälevyn ja ketjun voiteluainetta. ■ Paina teräketjua puuta vasten ja liikuta moottorisaha eteen ja taakse irrottaaksesi irtoaineksen.

FI

TAKUU

EGON TAKUUEHDOT

Verkkosivustolta egopowerplus.eu löydät EGO:n takuukäytännön täydelliset ehdot.

LES ALLE INSTRUKSJONER!



LES BRUKERHÅNDBOKEN

⚠ ADVARSEL: For å sikre sikkerhet og pålitelighet bør alle reparasjoner utføres av en kvalifisert servicetekniker.

⚠ ADVARSEL: Sørg for å lese og forstå alle sikkerhetsinstruksjonene i denne brukerhåndboken, inkludert alle sikkerhetsvarselsymboler som "FARE", "ADVARSEL" og "FORSIKTIG" før du bruker dette verktøyet. Hvis du ikke følger alle instruksjonene nedenfor, kan det føre til elektrisk støt, brann og/eller alvorlig personskade.

LAGRE ALLE ADVARSLER OG INSTRUKSJONER FOR FREMTIDIG REFERANSE.

SIKKERHETSSYMBOLER

NO

⚠ ADVARSEL: Bruk av en hvilken som helst maskin kan føre til at fremmedlegemer blir kastet inn i øynene dine, noe som kan føre til alvorlig øyeskade. Før du begynner å bruke elektroverktøyet, skal du alltid ta på vernebriller eller vernebriller med sidebeskyttelse, og en full ansiktsskjerm der det trengs. Vi anbefaler en Wide Vision Safety Mask til bruk over briller, eller standard vernebriller med sidebeskyttelse.



Sikkerhetsvarsel



Bruk vernebriller



Bruk hodebeskyttelse



Tilbakeslag fra styrestangen



Vær forsiktig med tilbakeslag av motorsagen og unngå kontakt med stangspissen



Garantert lydeffektnivå. Støy i omgivelsene er i henhold til EUs direktiv.



Dette produktet er i samsvar med gjeldende EU-direktiver.



Likestrøm

mm Millimeter

V Spenning



For at risikoen for personskader skal unngås må brukeren lese og forstå bruksanvisningen før produktet tas i bruk.



Bruk hørselvern



Bruk vernehansker



Bruk alltid motorsag med to hender



Informasjonen i guide bar



Elektriske produkter skal ikke kastes sammen med husholdningsavfallet. Ta med til en autorisert resirkulator.



Dette produktet er i samsvar med gjeldende britisk lovgivning.

IPX4

Beskyttelse mot vannsprut

n_0

Hastighet uten last

./min

Per minutt

SPESIFIKASJONER

Nominell spenning	56V	
Maks. Kjedehastighet	20 m / s	
Kjedevinkel	1/4" (6.4 mm)	
Kjedestørrelse	1,1 mm	
Styrestanglengde	300 mm	
Sagkjedemodell	AC1204Q (Anbefalt)	
	AC1000Q (kompatibel)	
Føringsstang modell	AG1000Q (kompatibel)	
Sagkjede- og sverdsett modell	AK1204Q (Anbefalt)	
Kapasiteten til kjedeoljetanken	150 ml	
Vekt (uten batteripakke, sagkjede, styreskinnen, sidedeksel, olje og kjedekappe)	1,9 kg	
Anbefalt driftstemperatur	-15°C-40°C	
Anbefalt lagringstemperatur	-20°C-70°C	
Anbefalt ladetemperatur	5°C-40°C	
Målt lydeffektnivå L_{WA}	97 dB(A) K=3,6 dB(A)	
Lydtrykknivå ved arbeidsstilling L_{PA}	89 dB(A) K=3 dB(A)	
Garantert lydeffektnivå L_{WA} (i henhold til 2000/14/EC)	101 dB(A)	
Vibrasjon a_h	Fremre håndtak	2,64 m/s ²
		K=1,5 m/s ²
	Bakre håndtak	2,05 m/s ² K=1,5 m/s ²

- Den deklarererte totale vibrasjonsverdien er målt i samsvar med en standard testmetode og kan brukes til å sammenligne ett verktøy med et annet;
- Den deklarererte totale vibrasjonsverdien kan også brukes i en foreløpig vurdering av eksponering.

LEGG MERKE TIL: Vibrasjonsutslippet under faktisk bruk av elektroverktøyet kan avvike fra den deklarererte verdien som verktøyet brukes i; For å beskytte brukeren, bør brukeren bruke hansker og hørselsvern under de faktiske bruksforholdene.

PAKNINGSLISTE (FIG. A1)

BESKRIVELSE

KJENN DIN MOTORSAGEN (Fig. A1)

1. Styrestang
2. Sagkjede
3. Kjedets bremseshåndtak for tilbakeslag
4. Bakre håndtak
5. Fremre håndtak
6. Inspeksjonsvindu for oljenivå
7. Oljetanklokk
8. Låsetunge
9. Utløserbryter
10. Batteriutløserknapp
11. Sidedeksel
12. Stangmutter
13. Spenningssskrue
14. Smørehull
15. Kjedeslire
16. Rekkehenger
17. Kombinøkkel

NO

SAMMENSETTING

MONTERING/BYTTJE AV STANG OG KJEDE

⚠ ADVARSEL: Før du utfører montering eller vedlikehold, sørg for at batteripakken er fjernet. Unnlatelse av å følge denne advarselen kan føre til alvorlig personskade.

⚠ ADVARSEL: Juster kjedestøtbremseshåndtaket i bremsestilling før montering.

⚠ ADVARSEL: Bruk alltid hansker ved håndtering av sverd og kjede; disse komponentene er skarpe, og kan inneholde graderinger.

1. Plasser motorsagens motorhode på siden med sidedekselet vendt oppover (fig. B).
2. Fjern sidedekselet ved å vri stangmutteren mot klokken.
3. Vri strammeskruen mot klokken for å løse kjedespenningen.
4. Legg sagkjedet i en løkke på en flat overflate og rett ut eventuelle knekk (fig. C).
5. Plasser kjededrivleddene inn i sverdet's spor og lag kjedet til en løkke på baksiden av sverdet (fig. D).

6. Hold kjedet på plass på sverdet og plasser løkken rundt saghjulet (fig. E1).

D-1	Kjededriftskoblinger	E-2	Justeringsflenser
D-2	Styrestang Groove	E-3	Spenningsstift
E-1	Drivhjul	E-4	Festebolt

LEGG MERKE TIL: Når du løkker sagkjedet på sverdet, sørg for at etter monteringen av sverdet på sagen, skjæreretningen samsvarer med kutterikonet og rotasjonsretningsspilene på saghuset (fig. E1). Hvis de vender i motsatte retninger, sett sammen sagkjedet på sverdet med knivene vendt i samme retning (fig. E2).

7. Plasser sverdet på monteringsoverflaten ved å skyve sverdets spor over innrettingsflensene. Pass på at sverdet er riktig plassert over festebolten og spennstiften.
8. Sett sidedekselet på motorsaghuset (fig. E3) og stram sverdmutteren helt.

LEGG MERKE TIL: Under monteringen og vedlikehold kan metallplaten under sverdet (fig. F) sprette opp. Hvis dette skjer, rengjør gapet mellom denne metalldelen og huset grundig og skyv metallplaten tilbake slik at den er i **flukt mot huset**. Unnlattelse av å rengjøre og plassere metallplaten på riktig måte vil føre til feiljustering av sverdet.

9. Roter kjedet for hånd for å sjekke om kjedet er riktig montert uten binding. Ellers sett sammen kjedet og sverdet.

LEGG MERKE TIL: For å utvide sverdets levetid bør du innimellom snu det.

JUSTERE STRAMHETEN PÅ KJEDET

- Stopp motoren og ta ut batteripakken før du justerer kjedestramningen. Vri strammeskruen med eller mot klokken for å justere kjedespenningen (fig. F) til kjedet sitter tett mot sverdet med drivlenkene i sverdets spor.
- Et kaldt kjede er korrekt strammet når det ikke henger ned på undersiden av sverdet, og kjedet er tettsittende, men det kan beveges for hånd uten oppbinding. Kjedet må etterstrammes når de flate delene av drivlenkene ikke sitter i sverdsporet.
- Under normal sagdrift vil temperaturen på kjedet øke. Drivlenkene til en korrekt strammet varm kjede vil henge ca. 1-2 mm ut av sverdsporet (fig. G).

LEGG MERKE TIL: Nye kjeder pleier å strekke seg, så

sjekk kjedestramningen ofte og etterstram etter behov.

LEGG MERKE TIL: Et kjede som strammes mens det er varmt, kan bli for stramt når det er kaldt. Sjekk kaldspenningen før neste bruk.

OPERASJON

⚠ ADVARSEL: Ikke la kjennskap til dette produktet gjøre deg uforsiktig. Husk at en uforsiktig brøkdell av et sekund er tilstrekkelig til å påføre alvorlig skade.

⚠ ADVARSEL: Ikke bruk tilbehør eller tilbehør som ikke er anbefalt av produsenten av dette produktet. Bruk av tilbehør eller deler som ikke anbefales, kan medføre alvorlige personskader.

⚠ ADVARSEL: For å hindre utilsiktet start som kan føre til alvorlig personskade, skal batteripakken alltid tas ut av verktøyet når du monterer deler, gjør justeringer, utfører rengjøring, eller når verktøyet ikke er i bruk.

Før hver bruk skal hele produktet forinspiseres for skader, mangler eller løse deler, for eksempel skruer, muttere, bolter, heter, osv. Trekk til alle festene og hettene godt, og ikke bruk dette produktet før alle manglende eller skadede deler har blitt byttet.

PÅFØRINGER

Du kan bruke dette produktet til grunnleggende skjæring i tre.

⚠ ADVARSEL: Ikke bruk denne motorsagen i et tre med mindre du er spesifikt opplært til det. Bruk av en motorsag i et tre uten riktig opplæring kan øke risikoen for alvorlig personskade.

LEGG MERKE TIL: Maskinen skal kun brukes til foreskrevne formål. Enhver annen bruk anses å være et tilfelle av misbruk.

PÅFYLLING AV SVERD- OG KJEDEOLJE

⚠ ADVARSEL: Ikke røyk eller ta med ild eller flammer i nærheten av olje eller motorsagen. Olje kan søle og forårsake brann.

LEGG MERKE TIL: Motorsagen er ikke fylt med olje på kjøpstidspunktet. Det er svært viktig å fylle tanken med olje før bruk. Kjedet smøres automatisk med kjedeolje under drift, dersom det er nok olje i oljetanken.

- Plasser motorsagen på siden med tankhetten vendt oppover.

NO

2. Rengjør oljetankheten og området rundt for å sikre at det ikke kommer smuss inn i oljetanken.
3. Løft den halvcirkelformede platen og roter oljetankheten mot klokken for å fjerne den (fig. H).
4. Hell forsiktig stangen og kjedeoljen i tanken. Fyll til bunnen av påfyllingshalsen.
5. Tørk av overflødig olje og sett på lokket igjen.

LEGG MERKE TIL: Sjekk oljenivået ofte og fyll når oljenivået faller under minimumslinjen. Bruk aldri motorsagen hvis oljen ikke er synlig.

BRUK LANYARD EYELET (Fig. H)

⚠ ADVARSEL: Dekk alltid sagkjedet og sverdet med kjedekappe når du henger motorsagen på et verktøybelte. Sagkjedet er skarpt og kan forårsake alvorlige skader.

⚠ ADVARSEL: Sørg for at snoren er sterk nok til å bære den samlede vekten av motorsagen og batteripakken. Alvorlige personskader og materielle skader kan oppstå hvis motorsagen faller.

FESTE/FRA BATTERIPAKKEN

Bruk kun med EGOs batteripakker og ladere oppført i Fig. A2.

Lad helt opp før første gangs bruk.

Å feste

Juster batteriribbene med monteringssporene og trykk batteripakken ned til du hører et "klikk" (fig. I).

Å løsne

Trykk inn batteriutløserknappen og trekk batteripakken ut (fig. J).

⚠ ADVARSEL: For å holde komfortabel balanse under kutting, bruk kun batteripakken BA1400/BA1400T.

STARTE/STOPPE KODESAGEN

LEGG MERKE TIL: Før du starter motorsagen, sjekk oljenivået, kjedestrømmingen, sagtennene skarphet og korrekt fungerende tilbakeslagsbremse. Dessuten er det nødvendig med balansert fotfeste og riktig avstand fra bakken.

For å starte (fig. K)

1. Trekk kjede-kickback-bremsen mot det fremre håndtaket til driftsposisjon (fig. K).
2. Ta godt tak i det fremre håndtaket med **venstre** hånd

og det bakre håndtaket med **høyre** hånd.

⚠ ADVARSEL: For å unngå skade, bruk alltid motorsagen med høyre hånd som tar tak i gripeområdet til det bakre håndtaket (fig. L).

3. Flytt låsetungen fremover og trykk deretter på utløserbryteren for å starte saken (fig. L).

L-1	Gripende område
-----	-----------------

4. Slipp låsetungen og fortsett å klemme på utløserbryteren for fortsatt drift.
5. Jo lenger utløserbryteren trykkes inn, jo høyere kjedehastighet. Juster hastigheten for å passe oppgaven.

⚠ ADVARSEL: Ikke forsøk å starte saken når sagkjedet er i et kutt.

Å stoppe

1. Flytt kjedesagen vekk fra skjæreområdet, og slipp deretter utløserbryteren for å stoppe kjedesagen.
2. Skyv kjede-tilbakeslagsbremsepaddlen fremover til bremseposisjon for å aktivere kjedebremsen (fig. K).

⚠ ADVARSEL: Ta alltid ut batteripakken fra maskinen under arbeidspauser og etter endt arbeid.

RIKTIG GREP PÅ HÅNDTAK (FIG. M)

- Bruk sklisikre hansker så du får best mulig grep og beskyttelse.
- Sett saken på et fast, flatt underlag, og hold saken fast med begge hender.
- Ta alltid tak i det fremre håndtaket med venstre hånd og det bakre håndtaket med høyre hånd.
- Fingrene skal omslutte håndtaket, med tommelen innpakket under det fremre håndtaket.

⚠ ADVARSEL: Bruk aldri et venstrehendt (krysshånds) grep eller noe holdning som vil plassere kroppen eller armen din over kjedelinjen.

⚠ ADVARSEL: Ikke bruk avtrekkeren med venstre hånd og hold det fremre håndtaket med høyre hånd. La aldri noen del av kroppen din være i kjedesinen mens du bruker en motorsag (fig. N).

RIKTIG SKJÆRESTILLING (FIG. O)

- Begge føttene skal være på fast grunn, med vekten jevnt fordelt mellom dem.
- Den venstre armen skal være rett, med albuen låst.

NO

Dette hjelper til med å motstå kreftene som genereres av tilbakeslag.

- Kroppen din skal alltid være til venstre for kjedelinjen.

VANLIGE SKJÆRETEKNIKKER

⚠ ADVARSEL: Alltid være sikker på fotfestet ditt, og hold motorsagen fast med begge hender mens motoren er i gang.

⚠ ADVARSEL: Når sagkjedet er stoppet på grunn av klemming under skjæring, slippes bryteren; fjern sagkjedet og sverdet fra treet, og start deretter motorsagen.

⚠ ADVARSEL: Ikke trekk sagkjedet med hånden når den er bundet opp av sagmugg. Alvorlig personskade kan oppstå hvis motorsagen starter ved et uhell. Trykk sagkjedet mot treet og flytt motorsagen frem og tilbake for løse rusket. Ta alltid ut batteripakken før rengjøring. Bruk tykke hansker når du håndterer sagkjedet.

⚠ ADVARSEL: Start aldri motorsagen når den er i kontakt med treverk. La alltid motorsagen nå full hastighet før du setter sagen mot treet.

⚠ ADVARSEL: Denne motorsagen med topphåndtak er ikke ment å brukes på bakken, derfor inneholder denne håndboken ikke instruksjoner for felling av trær, kvisting og kapping av trær.

⚠ ADVARSEL: Disse instruksjonene i treet gjelder for denne topp-kjedesagen, designet eksklusivt for bruk i treskjæring av sertifiserte treserviceteknikere som er spesifikt opplært til å gjøre det.

⚠ ADVARSEL: Toppkapping kan føre til skade. Det skal kun utføres av en opplært person.

⚠ ADVARSEL: Førstegangsbrukere bør øve på å kutte tømmerstokker på en saghest eller tømmervugge.

⚠ ADVARSEL: Ikke arbeid i trær med høye vindforhold.

⚠ ADVARSEL: Sørg for at alle tilskuere er unna fallområdet før du starter driften.

⚠ ADVARSEL: Hold alltid deg selv og utstyret unna materialet som fjernes.

⚠ FORSIKTIGHET: Sørg for at batteriet er fulladet før du arbeider i et tre.

Beskjæring (fig. P)

Følg trinnene nedenfor for å forhindre skade på tre- eller buskbark. Ikke bruk frem og tilbake sagebevegelser.

1. Gjør et grunt første kutt (1/3 av lemdiameteren) på undersiden av lemmet, nær hovedlemmet eller stammen.
2. Lag et andre kutt fra oversiden av lemnen, utenbords fra det første kutt. Fortsett kuttet gjennom lemnen til lemnen skiller seg fra treet. Vær forberedt på å balansere vekten av verktøyet, og sørg for at du er klar av det før du fullfører kuttet.
3. Gjør et siste kutt nær stammen.

Toppkapping

Før toppkapping, fjern løs bark, spiker, stifter og ståltråd fra treet der kuttene skal gjøres.

Hakkete underskjæring

Gjør hakket til 1/4 av diameteren til treet, vinkelrett på fallretningen som Fig. Q vist. Skjær det nedre horisontale hakket først. Dette vil bidra til å unngå å klemme enten sagkjedet eller sverdet når det andre hakket gjøres.

Q-1	Høstens retning	Q-3	Tilbake Kutt
Q-2	Hakk	Q-4	Hengsel

Bak-kutt

- Gjør baksnittet i samme høyde som det horisontale hakksnittet som vist på fig. Q. Hold baksnittet parallelt med det horisontale hakksnittet. Kutt baksiden slik at det er nok tre igjen til å fungere som et hengsel. Hengselveden hindrer treet fra å vri seg og falle i feil retning. Ikke kutt gjennom hengslet.
- Etter hvert som baksnittet kommer nær hengslet, bør treet begynne å falle. Hvis det er noen sjanse for at treet ikke kan falle i ønsket retning eller det kan vippe tilbake og binde sagkjedet, må du slutte å kutte før bakkappingen er fullført og bruke kiler av tre, plast eller aluminium for å åpne kuttet og slippe treet. langs ønsket falllinje.
- Når treblokken begynner å falle, fjern kjedesagen fra snittet, stopp motoren og aktiver kjedebremsen. Vær på vakt for overhengende grener som kan falle, og pass på fotfestet.

VEDLIKEHOLD

⚠ ADVARSEL: Bruk bare identiske reservedeler ved service. Bruk av andre deler kan skape fare eller forårsake produktskade. For å sikre sikkerhet og

NO

pålitelighet bør alle reparasjoner utføres av en kvalifisert servicetekniker.

⚠ ADVARSEL: For å unngå alvorlig personskade må du alltid fjerne batteriet fra produktet før du inspiserer, rengjør eller utfører vedlikehold. Et batteridrevet verktøy med batteripakken innsatt er alltid på, og kan starte ved et uhell.

⚠ ADVARSEL: Ved rengjøring av motorsagen skal den IKKE dyppes i vann eller andre væsker.

⚠ ADVARSEL: Ikke på noe tidspunkt skal bremsevæske, bensin, petroleum-baserte produkter, penetrerende oljer, osv. komme i kontakt med plastdeler. Kjemikalier kan skade, svekke eller ødelegge plastmaterialer, noe som kan føre til alvorlig personskade.

RENGJØRING

- Etter hver bruk fjernes rusk fra kjedet og sverdet med en myk børste. Tørk av motorsagens overflater med en ren klut, fuktet med mildt såpevann.
- Ta av sidedekselet, og bruk deretter en myk børste for å fjerne rusk fra sverdet, sagkjedet, drivhjul og sidedeksel.
- Rens alltid ut treflis, sagstøv og skitt fra sverdsporet når du skifter sagkjede.

VEDLIKEHOLD AV STYREBAR

Når sverdet viser tegn på slitasje, demonterer du det fra motorsaghodet og snur det for montering igjen (fig. R1). På denne måten vil slitasjen fordeles for å maksimere sverdets levetid.

Stangen skal rengjøres hver bruksdag, og sjekkes for slitasje og skader. Uttoning eller gradering på sverdskindene er en normal slitasjeprosess på stangen. Slike feil skal jevnes med en fil så snart de oppstår. En stang med noen av følgende feil skal byttes ut.

- Slitasje inne i stangskinnene, som gjør at kjedet legger seg over sidelengs.
- Bøyd stang.
- Sprukne eller ødelagte skinner.
- Spre sporene.

I tillegg har sverdet et tannhjul på spissen (fig. R2). Tannhjulet må smøres ukentlig med en fettsprøyte for å forlenge sverdets levetid. Bruk en fettsprøyte til å smøre ukentlig med kjedeolje ved hjelp av smørehullet (fig. R3). Snu guidebaren og kontroller at smørehullene og kjedesporet er fri for urenheter.

R-1	Drivhjul i sverdspissen
R-2	Smørehull

TRANSPORT OG LAGRING

- Ikke oppbevar eller transporter motorsagen når den er i gang. Ta alltid ut batteriet før du lagrer eller transporterer den.
- Plasser alltid kjedekappen på sverdet og kjedet før du lagrer eller transporterer motorsagen. Vær forsiktig for å unngå skarpe tenner på kjedet.
- Bær alltid produktet i det fremre håndtaket.
- Beskytt produktet mot kraftige støt eller sterke vibrasjoner som kan oppstå under transport i kjøretøy.
- Rengjør motorsagen grundig og tøm oljetanken før oppbevaring. Oppbevar motorsagen innendørs, på et tørt sted som er låst, og/eller utilgjengelig for barn.
- Holdes vekk fra etsende midler, for eksempel hagekjemikalier og avisingsalter.

NO

BESKYTTE MILJØET



Elektrisk utstyr, brukte batterier og batteriladere må ikke kastes i husholdningsavfallet!

Ta med dette produktet til autorisert gjenvinning, og gjør det tilgjengelig for separat innsamling. Elektriske verktøy må returneres til et miljøvennlig resirkuleringsanlegg.

FEILSØKING

⚠ ADVARSEL: Beskytt alltid hendene med seg tunge hansker når du utfører vedlikehold på sagkjedet. Ta alltid ut batteripakken ved service på eller transport av motorsagen.

NO

PROBLEM	ÅRSAK	LØSNING
Motoren kjører ikke.	<ul style="list-style-type: none"> ■ Batteripakken er ikke festet til motorsagen. ■ Ingen elektrisk kontakt mellom sagen og batteripakken. ■ Batteripakkens ladning er oppbrukt. ■ Batteripakken eller motorsagen er for varm. ■ Låsetungen er ikke trykket inn før du trykker på utløserbryteren. ■ Kjedebremsen er aktivert. ■ Sagkjedet sitter fast i treet. ■ Rusk i sverdsporet. ■ Avfall i sidedekselet. ■ En batteripakke på 4,0 Ah eller høyere Ah brukes. 	<ul style="list-style-type: none"> ■ Fest batteripakken til motorsagen. ■ Ta ut batteripakken, sjekk kontaktene og sett inn batteripakken på nytt. ■ Lad batteripakken. ■ La batteripakken eller motorsagen avkjøles til temperaturen synker til det anbefalte driftstemperaturområdet. ■ Trykk ned låsetungen og hold den, og trykk deretter på utløserbryteren for å slå på motorsagen. ■ Trekk kjede-kickback-bremsepadden bakover mot det fremre håndtaket, til driftsposisjon. ■ Slipp utløserbryteren; fjern sagkjedet og sverdet fra veden, og start deretter motorsagen på nytt. ■ Press sagkjedet mot treet, flytt motorsagen frem og tilbake for å slippe ut rusk. ■ Fjern batteripakken, fjern deretter sidedekselet og rens ut rusk. ■ Bruk kun med EGO 2,5 Ah batteripakker BA1400 og BA1400T.
Motorsag stopper uventet under drift.	<ul style="list-style-type: none"> ■ Motorsagen er overbelastet. ■ Batteripakken eller motorsagen er for varm. ■ Sagkjedet sitter fast i treet. 	<ul style="list-style-type: none"> ■ Reduser belastningen. ■ La batteripakken eller motorsagen avkjøles til temperaturen synker til det anbefalte driftstemperaturområdet. ■ Slipp utløserbryteren; fjern sagkjedet og sverdet fra veden, og start deretter motorsagen på nytt.
Motoren går, men kjedet går ikke rundt.	<ul style="list-style-type: none"> ■ Kjedet tar ikke tak i drivhjulet. 	<ul style="list-style-type: none"> ■ Ta ut batteripakken og installer kjedet på nytt, og pass på at drivleddene på kjedet sitter helt på tannhjulet.
Kjedebremsen går ikke i inngrep.	<ul style="list-style-type: none"> ■ Rusk hindrer full bevegelighet av kjedets bremsehåndtak for tilbakeslag. ■ Mulig feil i kjedebremsen. 	<ul style="list-style-type: none"> ■ Fjern rusk fra den eksterne kjedebremsemekanismen. ■ Slutt å bruke motorsagen umiddelbart! Kontakt EGO kundeservice for reparasjon.

PROBLEM	ÅRSAK	LØSNING
Motorsagen sager ikke ordentlig.	<ul style="list-style-type: none"> ■ Utilstrekkelig kjedestramming. ■ Sløvt kjede. ■ Kjedet er installert baklengs. ■ Slitt kjede. ■ Tørt eller overstrukket kjede. ■ Kjedet er ikke i sverdsporet. 	<ul style="list-style-type: none"> ■ Juster kjedestrammingen, per avsnittet: "JUSTERE KJEDESPENNINGEN". ■ Slip kjedet. ■ Installer kjedet på nytt, slå opp på "MONTERING/BYTT AV STANG OG KJEDE". ■ Bytt kjedet ved å følge avsnittet: "MONTERING / UTSKIFTING AV STANGEN OG KJEDEN". ■ Sjekk oljenivået. Etterfyll oljetanken om nødvendig. ■ Installer sagkjedet, per seksjon: "MONTERING / UTSKIFTING AV STANGEN OG KJEDEN".
Kjettingen løsner eller faller av styret under normal bruk.	<ul style="list-style-type: none"> ■ Kjedet vil løsne når temperaturen på kjedet øker under normal sagdrift. ■ Kjedet tar ikke tak i drivhjulet. 	<ul style="list-style-type: none"> ■ Stram kjedestrammingen, etter avsnittet "JUSTERE KJETESPENNINGEN". ■ Installer sagkjedet, per seksjon: "MONTERING / UTSKIFTING AV STANGEN OG KJEDEN".
Stang og kjede blir varmt og ryker.	<ul style="list-style-type: none"> ■ Sjekk kjedestrammingen for overstramming. ■ Kjedetanken er tom. ■ Avfall i sverdsporet. 	<ul style="list-style-type: none"> ■ Stram sagkjedet på nytt ved å følge avsnittet "JUSTERING AV KJEDESPENNINGEN". ■ Fyll tanken med sverd og kjedesmøremiddel. ■ Press sagkjedet mot treet, flytt motorsagen frem og tilbake for å slippe ut rusk.

NO

GARANTI

EGO GARANTIPOLITIK

Besøk nettstedet egopowerplus.eu for fullstendige vilkår og betingelser for EGO-garantipolicyen.

ПРОЧИТАЙТЕ ВСЕ ИНСТРУКЦИИ!



ПРОЧИТАЙТЕ РУКОВОДСТВО ПОЛЬЗОВАТЕЛЯ

⚠ ПРЕДУПРЕЖДЕНИЕ. Для обеспечения безопасности и надежности устройства его ремонт должен выполнять квалифицированный специалист.

⚠ ПРЕДУПРЕЖДЕНИЕ. Перед использованием устройства внимательно прочитайте все инструкции в данном руководстве пользователя и ознакомьтесь с предупреждающими символами безопасности, такими как **ОПАСНОСТЬ**, **ПРЕДУПРЕЖДЕНИЕ** и **ВНИМАНИЕ**. Несоблюдение всех приведенных ниже инструкций может привести к поражению электрическим током, возникновению пожара и (или) получению серьезных травм.

СОХРАНИТЕ ВСЕ ПРЕДУПРЕЖДЕНИЯ И ИНСТРУКЦИИ ДЛЯ ИСПОЛЬЗОВАНИЯ В БУДУЩЕМ.

СИМВОЛЫ БЕЗОПАСНОСТИ

⚠ ПРЕДУПРЕЖДЕНИЕ. В результате работы устройства в глаза могут попасть посторонние предметы, что приведет к серьезному повреждению глаз. Перед началом использования электроинструмента всегда надевайте защитную маску или защитные очки с боковыми щитками и полнопрофильную защитную маску (при необходимости). Поверх очков или стандартных защитных очков рекомендуется надевать безопасную маску с широким обзором.

RU



Предупреждение об опасности



Используйте защитные очки



Используйте защитный головной убор



Отдача конца шины



Остерегайтесь отдачи цепной пилы и не допускайте контакта с концом шины цепи.



Гарантированный уровень звуковой мощности. Уровень шума в окружающей среде в соответствии с директивой ЕС.



Соответствует основным требованиям стандартов безопасности Европейских директив.



Постоянный ток

мм Миллиметр
В Напряжение



Чтобы уменьшить риск получения травм, перед использованием устройства необходимо прочитать и понять руководство по эксплуатации.



Используйте средства защиты органов слуха.



Используйте защитные перчатки.



Всегда держите цепную пилу двумя руками.



Информация о шине.



Неисправные электрические устройства нельзя выбрасывать вместе с бытовым мусором. Сдавайте их в авторизованные пункты сбора и утилизации.



Данное изделие соответствует действующему законодательству Великобритании.

IPX4 Защита от брызг воды

n_0 Скорость работы без нагрузки
об/мин Оборотов в минуту

ТЕХНИЧЕСКИЕ ХАРАКТЕРИСТИКИ

Номинальное напряжение	56 В	
Макс. скорость цепи	20 м/с	
Шаг цепи	1/4" (6,4 мм)	
Калибр цепи	1,1 мм	
Длина шины	300 мм	
Модель пильной цепи	AC1204Q (рекомендуется)	
	AC1000Q (совместимо)	
Модель шины цепи	AG1000Q (совместимо)	
Модель комплекта пильной цепи и шины	AK1204Q (рекомендуется)	
Объем масляного резервуара цепи	150 мл	
Масса (без аккумулятора, цепи, шины, боковой крышки, масла и чехла цепи)	1,9 кг	
Рекомендуемая рабочая температура	-15...40 °C	
Рекомендуемая температура хранения	-20...70 °C	
Рекомендуемая температура зарядки	5...40 °C	
Измеренный уровень звуковой мощности L_{WA}	97 дБ (А) K=3.6 дБ (А)	
Уровень звукового давления в рабочем состоянии L_{PA}	89 дБ (А) K=3 дБ (А)	
Гарантированный уровень звуковой мощности L_{WA} (в соответствии с 2000/14/ЕС)	101 дБ (А)	
Вибрация a_n	Передняя рукоятка	2,64 м/с ² ; K=1,5 м/с ²
	Задняя рукоятка	2,05 м/с ² ; K=1,5 м/с ²

- Указанное общее значение вибрации было определено с помощью стандартного теста и может быть использовано для сравнения разных инструментов.
- Указанное общее значение вибрации также может использоваться для предварительной оценки уровня воздействия.

ПРИМЕЧАНИЕ. Реальное вибрационное воздействие электроинструмента может отличаться от указанного

в зависимости от способа использования. В целях безопасности оператор должен надевать перчатки и средства защиты органов слуха во время использования устройства.

КОМПЛЕКТ ПОСТАВКИ (РИС. А1)

ОПИСАНИЕ

ЗНАКОМСТВО С ЦЕПНОЙ ПИЛОЙ (Рис. А1)

1. Шина цепи
2. Пильная цепь
3. Ручка цепного тормоза
4. Задняя рукоятка
5. Передняя рукоятка
6. Окошко индикации уровня масла
7. Крышка резервуара для масла
8. Запорный язычок
9. Курок
10. Кнопка фиксации аккумулятора
11. Боковой кожух
12. Гайка шины
13. Винт натяжителя
14. Смазочное отверстие
15. Чехол цепи
16. Проушина для шнура
17. Комбинированный ключ

RU

СБОРКА

СБОРКА/ЗАМЕНА ШИНЫ И ЦЕПИ

⚠ ПРЕДУПРЕЖДЕНИЕ. Перед выполнением любых операций по сборке и техническому обслуживанию убедитесь, что аккумуляторная батарея извлечена. Несоблюдение данного требования может привести к получению серьезных травм.

⚠ ПРЕДУПРЕЖДЕНИЕ. Перед сборкой установите ручку цепного тормоза в положение торможения.

⚠ ПРЕДУПРЕЖДЕНИЕ. При работе с шиной и цепью обязательно надевайте перчатки: эти детали очень острые, и на них могут быть зазубрины.

1. Положите силовой блок пилы на бок, боковым кожухом вверх (Рис. В).
2. Снимите боковую крышку, повернув гайку шины против часовой стрелки.

3. Чтобы ослабить цепь, поверните винт натяжения цепи против часовой стрелки.
4. Разложите пильную цепь петлей на плоской поверхности и распрямите все перегибы (Рис. С).
5. Поместите приводные звенья цепи в паз шины и оттяните цепь в задней части шины (Рис. D).
6. Удерживая цепь в одном положении на шине, поместите петлю на зубчатое колесо (Рис. E1).

D-1	Приводное звено цепи	E-2	Установочные фланцы
D-2	Паз шины цепи	E-3	Штифт натяжения
E-1	Зубчатое колесо	E-4	Крепежный болт

ПРИМЕЧАНИЕ. При установке цепи на шину и шины на пилу убедитесь, что форма зубьев и направление вращения цепи соответствуют маркировке на корпусе инструмента (Рис. E1). Если направление не совпадает, заново установите пильную цепь на шину в соответствии с маркировкой на корпусе (Рис. E2).

7. Установите шину на монтажную поверхность, вставив ее паз поверх установочных фланцев. Убедитесь, что шина правильно расположена над крепежным болтом и штифтом натяжения.
8. Установите боковую крышку на корпус инструмента (Рис. E3) и полностью затяните гайку шины.

ПРИМЕЧАНИЕ. В процессе сборки и обслуживания металлическая пластина под шиной (Рис. F) может выскочить. Если это произошло, тщательно очистите зазор между этой металлической деталью и корпусом и вставьте металлическую пластину так, чтобы она была **вровень с корпусом**. Если металлическая пластина не будет очищена и правильно установлена, это приведет к смещению шины.

9. Проверните цепь рукой. Правильно установленная цепь должна вращаться без заклинивания. В противном случае выполните сборку шины и цепи повторно.

ПРИМЕЧАНИЕ. Чтобы продлить срок службы шины, периодически переворачивайте ее.

РЕГУЛИРОВКА НАТЯЖЕНИЯ ЦЕПИ

- Перед регулировкой натяжения цепи остановите двигатель и извлеките аккумулятор. Поворачивайте винт натяжения по часовой стрелке или против часовой стрелки, чтобы отрегулировать натяжение

цепи (Рис. F), пока цепь надежно не натянется на шине таким образом, чтобы звенья цепи находились в пазу шины.

- Холодная цепь натянута правильно, если она не провисает под шиной и прилегает к ней, но при этом цепь можно беспрепятственно повернуть вручную. Натяжение цепи необходимо отрегулировать, если выступы на приводных звеньях не держатся в пазу шины.
- Во время нормальной работы цепь нагревается. Приводные звенья правильно натянутой цепи в нагретом состоянии выступают из паза шины примерно на 1–2 мм (Рис. G).

ПРИМЕЧАНИЕ. Новая цепь быстро растягивается. Проверяйте натяжение цепи чаще и подтягивайте ее по мере необходимости.

ПРИМЕЧАНИЕ. Если отрегулировать натяжение на горячей цепи, после охлаждения она может стать слишком тугой. Перед следующим использованием проверьте натяжение холодной цепи.

ИСПОЛЬЗОВАНИЕ

⚠ ПРЕДУПРЕЖДЕНИЕ. Не допускайте небрежности и беспечности при работе с устройством. Помните, что потери бдительности на долю секунды достаточно для получения серьезной травмы.

⚠ ПРЕДУПРЕЖДЕНИЕ. Не используйте насадки или дополнительные приспособления, не рекомендованные производителем устройства. Использование нерекондованных насадок и дополнительных приспособлений может привести к серьезным травмам.

⚠ ПРЕДУПРЕЖДЕНИЕ. Чтобы предотвратить случайное включение устройства и получение серьезной травмы, извлекайте аккумулятор перед выполнением сборки, регулировки и очистки, а также когда устройство не используется.

Перед каждым использованием полностью проверяйте устройство на наличие поврежденных, отсутствующих или плохо закрепленных частей, таких как винты, гайки, болты, заглушки и т. д. Надежно закрепите все фиксаторы и заглушки и не пользуйтесь устройством до тех пор, пока не будут заменены поврежденные или отсутствующие части.

ПРИМЕНЕНИЕ

Данное устройство можно использовать для основных операций обрезки деревьев.

⚠ ПРЕДУПРЕЖДЕНИЕ. Не работайте с этой цепной пилой на деревьях, если вы не прошли специальное обучение. Работа с цепной пилой на дереве без соответствующей подготовки может увеличить риск получения серьезных травм.

ПРИМЕЧАНИЕ. Инструмент должен использоваться только по назначению. Любое другое использование, кроме упомянутого, считается ненадлежащим.

СМАЗКА ШИНЫ И ЦЕПИ

⚠ ПРЕДУПРЕЖДЕНИЕ. Не курите рядом с пилой и маслом. Не подносите их к источникам открытого пламени. Масло может пролиться, что приведет к пожару.

ПРИМЕЧАНИЕ. Пила не заправляется маслом на заводе. Перед использованием инструмента необходимо залить в него масло. Цепь автоматически смазывается маслом во время использования, если в резервуаре достаточно масла.

1. Положите пилу набок, так чтобы крышка масляного резервуара оказалась сверху.
2. Очистите крышку резервуара для масла и область вокруг нее, чтобы никакая грязь не попала внутрь резервуара.
3. Поднимите полукруглую пластину и поверните крышку резервуара для масла против часовой стрелки, чтобы снять ее (Рис. Н).
4. Аккуратно налейте масло в резервуар. Заполните резервуар до нижней части заливной горловины.
5. Вытрите пролитое масло и закройте крышку.

ПРИМЕЧАНИЕ. Регулярно проверяйте уровень масла и доливайте его, если уровень опускается ниже минимальной отметки. Никогда не эксплуатируйте цепную пилу, если уровень масла не виден.

ИСПОЛЬЗОВАНИЕ ПРОУШИНЫ ДЛЯ ШНУРА (Рис. Н)

⚠ ПРЕДУПРЕЖДЕНИЕ. При подвешивании цепной пилы на пояс всегда закрывайте цепь и шину чехлом. Пильная цепь острая и может стать причиной серьезных травм.

⚠ ПРЕДУПРЕЖДЕНИЕ. Убедитесь, что шнур достаточно прочный, чтобы выдержать общую массу пилы и аккумулятора. Падение цепной пилы может привести к серьезным травмам и повреждению имущества.

УСТАНОВКА И ИЗВЛЕЧЕНИЕ АККУМУЛЯТОРА

Используйте только аккумуляторы и зарядные

устройства EGO, указанные на Рис. А2.

Перед первым использованием полностью зарядите аккумулятор.

Установка

Совместите ребра аккумулятора с крепежными отверстиями и вставьте аккумулятор до щелчка (Рис. I).

Извлечение

Нажмите кнопку фиксации аккумулятора и извлеките аккумулятор (Рис. J).

⚠ ПРЕДУПРЕЖДЕНИЕ. Для сохранения комфортного равновесия во время работы используйте только аккумуляторную батарею BA1400/BA1400T.

ЗАПУСК И ОСТАНОВКА ЦЕПНОЙ ПИЛЫ

ПРИМЕЧАНИЕ. Перед запуском пилы необходимо проверить уровень масла, натяжение цепи, остроту зубьев, а также правильность работы ручки тормоза. Кроме того, необходимо принять правильную стойку и удерживать инструмент на надлежащем расстоянии от земли.

Запуск (Рис. К)

1. Переведите ручку тормоза в рабочее положение, потянув ее в сторону передней рукоятки (Рис. К).
2. Крепко возьмитесь за переднюю рукоятку **левой** рукой, а за заднюю — **правой**.

⚠ ПРЕДУПРЕЖДЕНИЕ. Во избежание травм всегда используйте цепную пилу, держась правой рукой за поверхность захвата задней рукоятки (Рис. L).

3. Переместите запорный язычок вперед, а затем нажмите на курок, чтобы запустить пилу (Рис. L).

L-1	Поверхность захвата
-----	---------------------

4. Для продолжительной работы отпустите запорный язычок и продолжайте зажимать курок.
5. Чем сильнее нажат курок, тем выше скорость цепи. Отрегулируйте скорость в соответствии с выполняемой задачей.

⚠ ПРЕДУПРЕЖДЕНИЕ. Не запускайте инструмент, когда цепь находится в распиле.

Остановка

1. Уберите пилу подальше от зоны резания, а затем отпустите курок, чтобы остановить инструмент.
2. Переместите ручку тормоза вперед, чтобы включить тормоз цепи (Рис. К).

⚠ ПРЕДУПРЕЖДЕНИЕ. Во время перерывов

в работе и после ее окончания всегда извлекайте аккумулятор из устройства.

ПРАВИЛЬНЫЙ ХВАТ (РИС. М)

- Для обеспечения крепкого захвата и максимальной защиты наденьте нескользящие перчатки.
- Положите пилу на ровную прочную поверхность и крепко возьмитесь за нее обеими руками.
- Всегда беритесь за переднюю рукоятку левой рукой, а за заднюю — правой.
- Пальцы должны плотно охватывать рукоятку, причем большой палец должен быть под передней рукояткой.

⚠ ПРЕДУПРЕЖДЕНИЕ. Никогда не держитесь левой рукой за заднюю рукоятку и не работайте в положении, в котором тело или рука пересекают линию цепи.

⚠ ПРЕДУПРЕЖДЕНИЕ. Не нажимайте на курок левой рукой и держитесь правой рукой за переднюю рукоятку. Никогда не допускайте, чтобы во время работы с цепной пилой какая-либо часть тела находилась на линии цепи (Рис. N).

ПРАВИЛЬНАЯ СТОЙКА (РИС. O)

- Обе ноги должны стоять на твердой поверхности, масса тела должна быть равномерно распределена между ними.
- Левая рука должна быть прямой, локоть зафиксирован. Это поможет бороться с отдачей.
- Тело оператора должно находиться слева от линии цепи.

ОСНОВНЫЕ ПРИЕМЫ РЕЗКИ

⚠ ПРЕДУПРЕЖДЕНИЕ. Во время работы следите за равновесием и всегда держите пилу обеими руками.

⚠ ПРЕДУПРЕЖДЕНИЕ. Если во время работы цепь остановилась из-за зажатия, отпустите курок и извлеките пилу из распила, а затем продолжайте работу.

⚠ ПРЕДУПРЕЖДЕНИЕ. Не тяните за пильную цепь руками, если она забилась опилками. Случайный запуск пилы может привести к серьезным травмам. Прижмите цепь к заготовке и перемещайте назад и вперед, чтобы удалить загрязнения. Перед очисткой инструмента обязательно извлекайте аккумулятор. При работе с цепью надевайте прочные защитные перчатки.

⚠ ПРЕДУПРЕЖДЕНИЕ. Не запускайте пилу, если цепь касается заготовки. Прежде чем начинать резать

заготовку, дайте инструменту набрать полную скорость.

⚠ ПРЕДУПРЕЖДЕНИЕ. Данная цепная пила с верхней рукояткой не предназначена для использования на земле, поэтому в настоящем руководстве не содержатся инструкции по валке деревьев, обрезке сучьев и раскряжевке деревьев.

⚠ ПРЕДУПРЕЖДЕНИЕ. Настоящие инструкции по работе на деревьях относятся к данной цепной пиле с верхней рукояткой, предназначенной исключительно для работы на деревьях сертифицированными специалистами по обслуживанию деревьев, прошедшими специальную подготовку.

⚠ ПРЕДУПРЕЖДЕНИЕ. Резка на дереве может привести к травме. Эту операцию должен выполнять только обученный специалист.

⚠ ПРЕДУПРЕЖДЕНИЕ. Начинающим пользователям следует потренироваться в распиловке бревен на козлах или на подставке.

⚠ ПРЕДУПРЕЖДЕНИЕ. Не работайте на деревьях при сильном ветре.

⚠ ПРЕДУПРЕЖДЕНИЕ. Перед началом работы убедитесь, что в зоне падения нет посторонних лиц.

⚠ ПРЕДУПРЕЖДЕНИЕ. Всегда следите за тем, чтобы оператор и инструмент находились на расстоянии от удаляемого материала.

⚠ ВНИМАНИЕ! Перед началом работы на дереве убедитесь, что аккумулятор полностью заряжен.

Обрезка (Рис. P)

Чтобы не допустить повреждения коры дерева или кустарника, следуйте инструкциям ниже. При распиле не делайте движений вперед-назад.

1. С нижней стороны ветки сделайте первый неглубокий пропил (1/3 диаметра) рядом со стволом или основной веткой.
2. С верхней стороны ветки сделайте второй пропил чуть дальше первого. Продолжайте пропиливать, пока ветка не отделится от дерева. Прежде чем закончить резку, приготовьтесь контролировать равновесие инструмента и убедитесь, что находитесь на безопасном расстоянии от него.
3. Сделайте последний пропил рядом со стволом.

Резка на дереве

Перед выполнением резки на дереве удалите с дерева отслоившуюся кору, гвозди, скобы и проволоку.

Подпил

Сделайте подпил на 1/4 диаметра дерева перпендикулярно направлению падения, как показано на Рис. Q. Сначала сделайте нижний горизонтальный подпил. Это поможет избежать защемления цепи пилы или шины во время выполнения второго подпила.

Q-1	Направление падения	Q-3	Задний пропил
Q-2	Пропил	Q-4	Ось

Задний пропил

- Выполните задний пропил на высоте горизонтального подпила, как показано на Рис. Q. Задний пропил должен быть параллелен горизонтальному подпилу. Выполняя задний пропил, оставьте достаточно дерева, чтобы оно работало как ось. Деревянная ось предохранит дерево от наклона и падения в неправильном направлении. Не распиливайте ось.
- При приближении заднего пропила к оси дерево должно начать падать. Если существует вероятность, что дерево может упасть в другом направлении или может наклониться и защемить пилу, прекратите пилить, пока задний пропил еще не завершен, и используйте деревянные, пластиковые или алюминиевые клинья, чтобы открыть пропил и направить дерево по правильной траектории падения.
- Когда дерево начнет падать, извлеките пилу из пропила, остановите двигатель и активируйте тормоз цепи. Остерегайтесь падающих веток и смотрите под ноги.

ОБСЛУЖИВАНИЕ

⚠ ПРЕДУПРЕЖДЕНИЕ. При ремонте используйте только идентичные запасные части. Использование других запасных частей может привести к возникновению опасной ситуации или повреждению устройства. Для обеспечения безопасности и надежности устройства его ремонт должен выполнять квалифицированный специалист.

⚠ ПРЕДУПРЕЖДЕНИЕ. Во избежание серьезных травм всегда извлекайте из устройства аккумулятор перед осмотром, очисткой или обслуживанием. Электронный инструмент с установленным аккумулятором всегда может случайно включиться.

⚠ ПРЕДУПРЕЖДЕНИЕ. При очистке пилы НЕ ПОГРУЖАЙТЕ ее в воду и другие жидкости.

⚠ ПРЕДУПРЕЖДЕНИЕ. Не допускайте попадания на пластиковые части тормозной жидкости, бензина,

продуктов на нефтяной основе, пропитывающих масел и т. д. Химические вещества могут повредить, ослабить или разрушить пластик, что приведет к получению серьезных травм.

ОЧИСТКА

- После каждого использования очищайте цепь и шину мягкой щеткой. Очищайте поверхность пилы чистой тканью, смоченной в слабом мыльном растворе.
- Снимите боковую кожух и очистите шину, цепь, зубчатое колесо и кожух мягкой щеткой.
- При замене пильной цепи всегда очищайте паз шины цепи от щепок, опилок и загрязнений.

УХОД ЗА ШИНОЙ

Если шина имеет признаки износа, демонтируйте ее с силового блока, переверните и установите заново (Рис. R1). Это позволит распределить износ таким образом, чтобы максимально продлить срок службы шины.

Шину необходимо очищать и проверять на наличие износа и повреждений каждый день после использования. Появление зазубрин и стружек на шине — нормальное явление, свидетельствующее о ее износе. Такие дефекты необходимо удалять напильником сразу же при их обнаружении. При наличии любого из перечисленных ниже дефектов шину необходимо заменить.

- Износ внутренней части шины, из-за которого цепь съезжает набок.
- Изгиб шины.
- Трещины или разрыв направляющих.
- Расширение направляющих.

Кроме того, на конце шины установлено зубчатое колесо (Рис. R2). Чтобы продлить срок службы шины, раз в неделю колесо необходимо смазывать из масленки. Смазывайте шину маслом для цепи раз в неделю, подавая его из масленки в смазочное отверстие (Рис. R3). Проверьте шину и убедитесь, что смазочные отверстия и паз цепи не загрязнены.

R-1	Зубчатое колесо на конце шины
R-2	Смазочное отверстие

ТРАНСПОРТИРОВКА И ХРАНЕНИЕ

- Не убирайте на хранение и не переносите инструмент, когда он работает. Перед хранением и транспортировкой всегда извлекайте аккумулятор из устройства.

RU

- Перед транспортировкой или хранением инструмента всегда надевайте чехол на шину и цепь. Будьте осторожны с острыми зубьями цепи.
- Переносите устройство только за переднюю рукоятку.
- Защищайте устройство от сильных воздействий или вибраций, которые могут возникнуть при перевозке транспортными средствами.
- Перед хранением тщательно очистите цепную пилу и опорожните резервуар для масла. Храните пилу в закрытом сухом помещении, недоступном для детей.
- Храните вдали от источников коррозии, таких как садовые удобрения и техническая соль.

ОХРАНА ОКРУЖАЮЩЕЙ СРЕДЫ



Не выбрасывайте электроприборы, зарядные устройства и аккумуляторные батареи вместе с бытовыми отходами!

Отправьте данное изделие на переработку в специализированное предприятие или сдайте его для отдельного сбора.

Электроинструменты должны быть возвращены на перерабатывающее предприятие, не наносящее ущерба окружающей среде.

УСТРАНЕНИЕ НЕПОЛАДOK

⚠ ПРЕДУПРЕЖДЕНИЕ. При выполнении любых работ по обслуживанию цепной пилы всегда надевайте прочные перчатки. Перед проведением обслуживания или транспортировкой устройства обязательно извлекайте аккумулятор.

ПРОБЛЕМА	ПРИЧИНА	РЕШЕНИЕ
Двигатель не запускается.	<ul style="list-style-type: none"> ■ В инструмент не установлена аккумуляторная батарея. ■ Нет электрического контакта между пилой и аккумулятором. ■ Аккумулятор разряжен. ■ Перегрев аккумуляторной батареи или пилы. ■ Перед нажатием на курок не был нажат запорный язычок. ■ Сработал цепной тормоз. ■ Цепь зажата в заготовке. ■ В пазу шины скопился мусор. ■ Под боковой кожух набился мусор. ■ Используется аккумуляторная батарея емкостью 4 Ач или более. 	<ul style="list-style-type: none"> ■ Установите аккумулятор в инструмент. ■ Извлеките аккумулятор, проверьте контакты и установите его снова. ■ Зарядите аккумулятор. ■ Дайте аккумулятору или цепной пиле остыть, пока температура не упадет до рекомендуемого значения. ■ Нажмите на запорный язычок и удерживайте его. Затем нажмите на курок, чтобы включить инструмент. ■ Переведите ручку тормоза в рабочее положение, потянув ее в сторону передней рукоятки. ■ Отпустите курок, извлеките цепь и шину из заготовки, затем запустите пилу снова. ■ Прижмите цепь к заготовке и перемещайте назад и вперед, чтобы удалить загрязнения. ■ Извлеките аккумулятор, затем снимите боковой кожух и удалите загрязнения. ■ Используйте только аккумуляторы EGO 2,5 Ач BA1400 и BA1400T.
Цепная пила неожиданно останавливается во время работы.	<ul style="list-style-type: none"> ■ Пила перегружена. ■ Перегрев аккумуляторной батареи или пилы. ■ Цепь зажата в заготовке. 	<ul style="list-style-type: none"> ■ Уменьшите нагрузку. ■ Дайте аккумулятору или цепной пиле остыть, пока температура не упадет до рекомендуемого значения. ■ Отпустите курок, извлеките цепь и шину из заготовки, затем запустите пилу снова.
Двигатель работает, но цепь не вращается.	<ul style="list-style-type: none"> ■ Цепь не зацепляется за зубчатое колесо. 	<ul style="list-style-type: none"> ■ Извлеките аккумулятор и переустановите цепь, убедившись, что звенья цепного привода надежно прилегают к зубчатому колесу.
Не срабатывает цепной тормоз.	<ul style="list-style-type: none"> ■ Ручка цепного тормоза не может свободно двигаться из-за мусора. ■ Тормозная система неисправна. 	<ul style="list-style-type: none"> ■ Удалите мусор снаружи механизма цепного тормоза. ■ Немедленно прекратите использование цепной пилы! Обратитесь в службу поддержки клиентов EGO для ремонта.

RU

ПРОБЛЕМА	ПРИЧИНА	РЕШЕНИЕ
<p>Пила не режет надлежащим образом.</p>	<ul style="list-style-type: none"> ■ Цепь плохо натянута. ■ Цепь затупилась. ■ Цепь установлена задом наперед. ■ Цепь изношена. ■ Цепь не смазывается или сильно растянулась. ■ Цепь вышла из паза в шине. 	<ul style="list-style-type: none"> ■ Отрегулируйте натяжение цепи. См. раздел РЕГУЛИРОВКА НАТЯЖЕНИЯ ЦЕПИ. ■ Заточите цепь. ■ Установите цепь заново. См. раздел СБОРКА/ЗАМЕНА ШИНЫ И ЦЕПИ. ■ Замените цепь. См. раздел СБОРКА/ЗАМЕНА ШИНЫ И ЦЕПИ. ■ Проверьте уровень масла. При необходимости залейте масло в резервуар. ■ Установите цепь заново. См. раздел СБОРКА/ЗАМЕНА ШИНЫ И ЦЕПИ.
<p>Цепь ослабевает или соскакивает с шины в процессе нормальной эксплуатации.</p>	<ul style="list-style-type: none"> ■ Цепь ослабевает по мере повышения температуры цепи при нормальной работе пилы. ■ Цепь не зацепляется за зубчатое колесо. 	<ul style="list-style-type: none"> ■ Отрегулируйте натяжение цепи. См. раздел РЕГУЛИРОВКА НАТЯЖЕНИЯ ЦЕПИ. ■ Установите цепь заново. См. раздел СБОРКА/ЗАМЕНА ШИНЫ И ЦЕПИ.
<p>Шина и цепь нагреваются и дымятся.</p>	<ul style="list-style-type: none"> ■ Проверьте натяжение цепи. Возможно, цепь натянута слишком сильно. ■ Резервуар для масла пуст. ■ В пазу шины скопился мусор. 	<ul style="list-style-type: none"> ■ Отрегулируйте натяжение цепи в соответствии с инструкциями в разделе РЕГУЛИРОВКА НАТЯЖЕНИЯ ЦЕПИ. ■ Заправьте масляный резервуар. ■ Прижмите цепь к заготовке и перемещайте назад и вперед, чтобы удалить загрязнения.

RU

ГАРАНТИЯ

ГАРАНТИЙНАЯ ПОЛИТИКА EGO

Посетите веб-сайт egopowerplus.eu, чтобы ознакомиться со всеми условиями и сроками гарантийной политики EGO.

PRZECZYTAJ WSZYSTKIE INSTRUKCJE!



PRZECZYTAJ INSTRUKCJĘ OBSŁUGI

⚠ OSTRZEŻENIE: Aby zagwarantować bezpieczeństwo i niezawodność, wszystkie naprawy powinny być wykonywane przez wykwalifikowanych techników serwisu.

⚠ OSTRZEŻENIE: Przed użyciem narzędzia należy koniecznie przeczytać ze zrozumieniem wszystkie instrukcje dotyczące bezpieczeństwa podane w podręczniku użytkownika, łącznie z wszystkimi symbolami ostrzegawczymi takimi jak „NIEBEZPIECZEŃSTWO”, „OSTRZEŻENIE” i „OSTROŻNIE”. Niestosowanie się do wszystkich podanych niżej instrukcji może doprowadzić do porażenia prądem, pożaru i/lub poważnych urazów ciała.

WSZYSTKIE OSTRZEŻENIA I INSTRUKCJE NALEŻY ZACHOWAĆ NA PRZYSZŁOŚĆ.

SYMBOLE BEZPIECZEŃSTWA

⚠ OSTRZEŻENIE: Praca narzędziem może spowodować wyrzucenie ciał obcych w oczy użytkownika, co może doprowadzić do poważnych urazów oczu. Przed rozpoczęciem pracy elektronarzędziem należy zawsze założyć gogle ochronne lub okulary z osłonami bocznymi, a w stosownych przypadkach także pełną osłonę na twarz. Zalecamy nakładanie na zwykłe okulary maski zabezpieczającej o szerokim polu widzenia lub stosowanie standardowych okularów zabezpieczających z osłonami bocznymi.

PL


Ostrzeżenie dotyczące bezpieczeństwa



Aby zmniejszyć ryzyko urazów, przed rozpoczęciem używania urządzenia, użytkownik musi przeczytać i zrozumieć instrukcję.



Noś okulary ochronne



Noś ochronniki słuchu



Noś kask ochronny



Noś rękawice ochronne



Odbicie czubka przewodnicy



Pily łańcuchowej należy zawsze używać oburącz



Uwaga na możliwość odbicia piły łańcuchowej; należy unikać kontaktu z czubkiem przewodnicy



Przewodnica – informacje



Gwarantowany poziom mocy akustycznej. Emisja hałasu do środowiska zgodnie z dyrektywą Wspólnoty Europejskiej.



Zużytych wyrobów elektrycznych nie należy wyrzucać razem ze zwykłymi odpadami domowymi. Należy je oddać do autoryzowanego punktu recyklingu.



Ten produkt jest zgodny z obowiązującymi dyrektywami WE.



Produkt jest zgodny z dyrektywami obowiązującymi w Wielkiej Brytanii.



Prąd stały

IPX4

Ochrona przed zachlapaniem wodą

mm

Milimetr

n_0

Prędkość bez obciążenia

V

Napięcie

..min

Na minutę

SPECYFIKACJA

Napięcie znamionowe	56 V	
Maks. prędkość łańcucha	20 m/s	
Podziałka łańcucha	1/4" (6,4 mm)	
Grubość łańcucha	1,1 mm	
Długość prowadnicy	300 mm	
Model łańcucha tnącego	AC1204Q (zalecany)	
	AC1000Q (kompatybilny)	
Model prowadnicy	AG1000Q (kompatybilny)	
Model zestawu łańcuch i prowadnica	AK1204Q (zalecany)	
Pojemność zbiornika na olej	150 ml	
Ciężar (bez akumulatora, łańcucha, prowadnicy, osłony bocznej, oleju i osłony na łańcuch)	1,9 kg	
Zalecana temperatura użytkowania	-15°C-40°C	
Zalecana temperatura przechowywania	-20°C-70°C	
Zalecana temperatura ładowania	5°C-40°C	
Zmierzony poziom mocy akustycznej L_{WA}	97 dB(A) K= 3,6 dB(A)	
Poziom ciśnienia akustycznego w pozycji pracy L_{PA}	89 dB(A) K= 3 dB(A)	
Gwarantowany poziom mocy akustycznej L_{WA} (zgodnie z dyrektywą 2000/14/WE)	101 dB(A)	
Drgania a_n	Uchwyt przedni	2,64 m/s ² K=1,5 m/s ²
	Uchwyt tylny	2,05 m/s ² K=1,5 m/s ²

- Deklarowana całkowita wartość drgań została zmierzona zgodnie ze standardowymi metodami testowania i może służyć do porównywania różnych narzędzi.
- Deklarowana całkowita wartość drgań może również służyć do wstępnej oceny narażenia na drgań.

UWAGA: Emisja drgań podczas rzeczywistego stosowania elektronarzędzia może się różnić od deklarowanej wartości, w której narzędzie jest używane. Aby się zabezpieczyć, w rzeczywistych warunkach użytkowania użytkownik powinien nosić rękawice i nasłucharki ochronne.

LISTA ELEMENTÓW W OPAKOWANIU (RYS. A1)

OPIS

ZAPOZNANIE SIĘ Z PIŁĄ ŁAŃCUCHOWĄ (Rys. A1)

1. Prowadnica
2. Łańcuch tnący
3. Dźwignia hamulca łańcucha
4. Uchwyt tylny
5. Uchwyt przedni
6. Okienko kontroli poziomu oleju
7. Zakrętka zbiornika oleju
8. Dźwignia blokady
9. Włącznik spustowy
10. Przycisk odblokowujący akumulator
11. Pokrywa boczna
12. Nakrętka prowadnicy
13. Śruba napinająca
14. Otwór do smarowania
15. Osłona łańcucha
16. Zaczep na pasek
17. Klucz wielofunkcyjny

MONTAŻ

MONTAŻ/WYMIANA PROWADNICY I ŁAŃCUCHA

⚠ OSTRZEŻENIE: Przed przystąpieniem do montażu lub czynności konserwacyjnych należy upewnić się, że z narzędzia wyjęto akumulator. Niezastosowanie się do tego ostrzeżenia doprowadzi do poważnych urazów.

⚠ OSTRZEŻENIE: Przed przystąpieniem do montażu należy ustawić dźwignię hamulca łańcucha w pozycji hamowania.

⚠ OSTRZEŻENIE: Podczas wykonywania jakichkolwiek czynności przy prowadnicy i łańcuchu, należy mieć zawsze założone rękawice; podzespoły te są bardzo ostre i mogą zawierać zadziory.

1. Położyć głowicę napędową piły łańcuchowej na boku, pokrywą boczną skierowaną do góry (Rys. B).
2. Odkręcić nakrętkę prowadnicy w lewo (przeciwnie do kierunku ruchu wskazówek zegara), aby zdjąć pokrywę boczną.
3. Odkręcić śrubę napinającą w lewo (przeciwnie do kierunku ruchu wskazówek zegara), aby poluzować łańcuch.

4. Położyć łańcuch pily łańcuchowej w postaci pętli na płaskiej powierzchni i wyprostować wszelkie miejsca, które są splecione (Rys. C).
5. Włożyć ogniwa przesuwające łańcuch do rowka prowadnicy w taki sposób, aby z tyłu prowadnicy utworzyć pętlę (Rys. D).
6. Przytrzymać łańcuch w odpowiedniej pozycji na prowadnicy i nałożyć pętlę na zębatkę pily łańcuchowej (Rys. E1).

D-1	Ogniwo przesuwające łańcuch	E-2	Kołnierze dopasowujące
D-2	Rowek prowadnicy	E-3	Bolec napinający
E-1	Zębatka napędowa	E-4	Śruba mocująca

UWAGA: Podczas zakładania łańcucha pily łańcuchowej na prowadnicę należy upewnić się, że po zamontowaniu prowadnicy w pilarkę kierunek ostrza będzie zgodny z ikoną ostrza i ze strzałką kierunku obrotów na obudowie (Rys. E1). Jeżeli ogniwa tnące są skierowane w przeciwnym kierunku, należy ponownie założyć łańcuch tnący na prowadnicę, ale tak, aby strzałki skierowane były w tym samym kierunku (Rys. E2).

7. Nasunąć szczelinę prowadnicy na kołnierze dopasowujące, aby umieścić prowadnicę na powierzchni montażowej. Upewnić się, że prowadnica jest prawidłowo ustawiona nad śrubą mocującą i sworzniem napinającym.
8. Założyć pokrywę boczną na obudowę pily łańcuchowej (Rys. E3) i mocno dokręcić nakrętkę prowadnicy.

UWAGA: Podczas montażu i konserwacji może dojść do wyskoczenia metalowej płytki znajdującej się pod prowadnicą (Rys. F). Jeżeli tak się stanie, należy dokładnie wyczyścić szczelinę między powyższym elementem metalowym a obudową i wcisnąć płytkę metalową z powrotem w taki sposób, aby **nie wystawała z obudowy**. Niewyczyszczenie i nieprawidłowe umieszczenie płytki metalowej doprowadzi do rozregulowania prowadnicy.

9. Przekręcić łańcuch ręcznie, aby sprawdzić, czy jest on prawidłowo założony i czy się nie zacina. Jeśli się zacina, łańcuch i prowadnicę należy założyć ponownie.

UWAGA: Aby wydłużyć czas używalności prowadnicy, należy ją od czasu do czasu obracać.

REGULACJA NAPIĘCIA ŁAŃCUCHA

- Przed regulacją naprężenia łańcucha należy wyłączyć silnik i wyjąć akumulator. Przekręcić śrubę napinającą w prawo lub w lewo, aby wyregulować naprężenie łańcucha (Rys. F), aż łańcuch będzie ściśle przylegał do prowadnicy, a ogniwa napędowe znajdą się w rowku prowadnicy.
- Łańcuch jest poprawnie napięty, gdy nie ma luzu w dolnej części prowadnicy, łańcuch przylega do prowadnicy, ale można nim kręcić ręką i łańcuch nie zacina się. Łańcuch musi zostać napięty ponownie, gdy płaskie części ogniwn napędowych nie znajdują się w rowku prowadnicy.
- W czasie zwykłej pracy pilarką zwiększa się temperatura łańcucha. Ogniwa przesuwające łańcuch prawidłowo napiętego rozgrzanego łańcucha mają około 1-2 mm luzu poza rowkiem prowadnicy (Rys. G).

UWAGA: Nowy łańcuch ma tendencję do rozciągania się, należy więc często kontrolować jego naciągnięcie i regulować je odpowiednio do potrzeb.

UWAGA: Rozgrzany i naprężony łańcuch może być założony zbyt ciasno. Naprężenie zimnego łańcucha należy kontrolować przed każdym użyciem.

UŻYTKOWANIE

⚠ OSTRZEŻENIE: Nie wolno dopuścić do tego, aby znajomość produktu doprowadziła do nieuwagi. Należy pamiętać, że do spowodowania poważnych obrażeń wystarczy zaledwie chwila nieuwagi.

⚠ OSTRZEŻENIE: Nie należy używać końcówek lub akcesoriów innych niż zalecane przez producenta produktu. Używanie końcówek lub akcesoriów innych niż zalecane może doprowadzić do poważnych obrażeń.

⚠ OSTRZEŻENIE: Aby zapobiec przypadkowemu włączeniu, które mogłoby spowodować ciężkie urazy, na czas mocowania części, regulacji, czyszczenia lub gdy narzędzie nie jest używane, z narzędzia należy zawsze wyjmować akumulator.

Przed każdym użyciem należy skontrolować cały produkt pod kątem uszkodzonych, brakujących lub obluźwionych części takich jak śruby, wkręty, nakrętki, nasadki itp. Wszystkie elementy połączeniowe i nasadki należy mocno dokręcić. Nie należy używać produktu zanim wszystkie brakujące lub uszkodzone części nie zostaną wymienione.

ZASTOSOWANIA

Narzędzia można używać do podstawowych prac pilarskich wykonywanych na drzewie.

⚠ OSTRZEŻENIE: Bez specjalnego przeszkolenia piły łańcuchowej nie należy używać na drzewie. Używanie piły łańcuchowej na drzewie bez odpowiedniego przeszkolenia zwiększa ryzyko poważnych obrażeń ciała.

UWAGA: Narzędzia należy używać tylko do celów zgodnych z przeznaczeniem. Wszelkie inne zastosowania uznaje się za niezgodne z przeznaczeniem.

SMAROWANIE PROWADNICY I ŁAŃCUCHA

⚠ OSTRZEŻENIE: W pobliżu oleju lub piły łańcuchowej nie wolno palić tytoniu ani zapalać ognia lub płomieni. Olej może się rozlać i spowodować pożar.

UWAGA: W momencie zakupu w pile łańcuchowej nie ma oleju. Bardzo ważne jest, aby przed użyciem wlać olej do zbiornika na olej. Pod warunkiem, że w zbiorniku na olej znajduje się wystarczająca ilość oleju do łańcuchów, podczas pracy łańcuch jest automatycznie smarowany olejem.

1. Położyć piłę łańcuchową na boku, wlewem zbiornika do góry.
2. Wyczyścić korek zbiornika oleju i miejsce wokół, aby do zbiornika oleju nie dostały się żadne zanieczyszczenia.
3. Podnieść półokrągłą płytę i odkręcić korek zbiornika oleju w lewo, aby go zdjąć (Rys. H).
4. Ostrożnie nalać do zbiornika oleju do smarowania przewodnicy i łańcucha. Napchnąć zbiornik aż po dolną krawędź szyjki wlewu.
5. Wytrzeć nadmiar oleju i zakręcić korek.

UWAGA: Należy często sprawdzać poziom oleju i dolewać olej, gdy poziom spadnie poniżej linii minimum. Nigdy nie wolno używać piły łańcuchowej, gdy nie widać oleju.

UŻYWANIE ZACZEPU NA PASEK (Rys. H)

⚠ OSTRZEŻENIE: Gdy użytkownik zawiesza piłę łańcuchową na pasie narzędziowym należy zawsze zakrywać łańcuch tnący i przewodnicę osłoną łańcucha. Łańcuch tnący jest ostry i może spowodować poważne obrażenia.

⚠ OSTRZEŻENIE: Pasek musi być wystarczająco mocny, aby był w stanie utrzymać łączny ciężar piły łańcuchowej i akumulatora. Jeśli pila łańcuchowa spadnie, może to spowodować poważne obrażenia ciała oraz straty materialne.

ZAKŁADANIE/WYJMOWANIE AKUMULATORA

Do urządzenia należy używać wyłącznie ładowarek i

akumulatorów marki EGO wymienionych na Rys. A2.

Przed pierwszym użyciem należy naładować akumulator.

Zakładanie

Należy dopasować żeberka akumulatora do szczelin mocujących i wsunąć akumulator do ładowarki tak, aby dało się słyszeć kliknięcie (Rys. I).

Wyjmowanie

Należy wcisnąć przycisk odblokowujący akumulatora i wysunąć akumulator (Rys. J).

⚠ OSTRZEŻENIE: Aby wygodnie wyważyć, należy używać wyłącznie akumulatora BA1400/BA1400T.

WŁĄCZANIE/WYŁĄCZANIE PIŁY ŁAŃCUCHOWEJ

UWAGA: Przed włączeniem piły łańcuchowej należy sprawdzić poziom oleju, napięcie łańcucha, naostrzenie zębów tnących oraz właściwe działanie dźwigni hamulca łańcucha. Należy także zadbać o stabilność podłoża i wystarczającą odległość przewodnicy piły łańcuchowej od podłoża.

Włączanie (Rys. K)

1. Pociągnąć dźwignię hamulca łańcucha do uchwytu przedniego, do pozycji roboczej (Rys. K).
2. Mocno chwycić przedni uchwyt **lewą** ręką, a tylny uchwyt **prawą** ręką.

⚠ OSTRZEŻENIE: Aby uniknąć obrażeń, podczas używania piły łańcuchowej narzędzie należy zawsze trzymać prawą ręką za uchwyt tylny (Rys. L).

3. Przesunąć dźwignię blokady do przodu i nacisnąć spust, aby włączyć piłę łańcuchową (Rys. L).

L-1

Uchwyt

4. Zwolnić dźwignię blokady, ale w dalszym ciągu wciskać przełącznik spustowy, aby podtrzymać pracę narzędzia.
5. Im bardziej przełącznik spustowy jest wciśnięty, tym większa jest prędkość łańcucha. Prędkość należy ustawić odpowiednio do wykonywanej pracy.

⚠ OSTRZEŻENIE: Nie należy próbować włączać piły łańcuchowej, gdy łańcuch tnący znajduje się w nacięciu.

Wyłączanie

1. Aby wyłączyć piłę łańcuchową, należy odsunąć ją od miejsca cięcia, a następnie puścić przełącznik spustowy.

2. Aby załączyć hamulec łańcucha, popchnąć dźwignię hamulca łańcucha do przodu w pozycję hamowania (Rys. K).

⚠ OSTRZEŻENIE: Na czas przerw w pracy i po zakończeniu pracy należy zawsze wyjmować akumulator z narzędzia.

PRAWIDŁOWE TRZYMANIE UCHWYTÓW (RYS. M)

- Aby zapewnić optymalne trzymanie i maksymalną ochronę, należy zakładać rękawice antypoślizgowe.
- Położyć piłę łańcuchową na twardym, płaskim podłożu i mocno ją chwycić obiema rękoma.
- Należy zawsze chwycić przedni uchwyt lewą ręką, a tylny uchwyt prawą ręką.
- Palce powinny obejmować uchwyt, a kciuki należy umieścić pod przednim uchwytem.

⚠ OSTRZEŻENIE: Nigdy nie należy chwycić narzędzia odwrotnie (na krzyż) lub ustawiać się w pozycji, w której ciało lub ramię znajdowałoby się na linii łańcucha.

⚠ OSTRZEŻENIE: Nie należy obsługiwać włącznika spustowego lewą ręką i trzymać uchwytu przedniego prawą. Nigdy nie należy pozwalać, aby w czasie używania piły łańcuchowej jakakolwiek część ciała znajdowała się na linii poruszania się łańcucha (Rys. N).

PRAWIDŁOWA POZYCJA CIĘCIA (RYS. O)

- Obiema stopami należy stać na pewnym podłożu, a ciężar ciała rozłożyć równomiernie na obie nogi.
- Lewa ręka powinna być wyprostowana w łokciu. Pomaga to wytrzymać siły powstające wskutek odbicia.
- Ciało użytkownika powinno się zawsze znajdować po lewej stronie linii wyznaczonej przez łańcuch.

POPULARNE TECHNIKI WYKONYWANIA CIĘCIA

⚠ OSTRZEŻENIE: Po włączeniu silnika należy zawsze pilnować, aby stać na pewnym podłożu i pewnie trzymać piłę łańcuchową oburącz.

⚠ OSTRZEŻENIE: Gdy łańcuch tnący zatrzyma się wskutek zaklinowania się łańcucha podczas piłowania, należy puścić przełącznik spustowy; wyjąć łańcuch tnący i prowadnicę z drewna, a następnie ponownie włączyć piłę łańcuchową.

⚠ OSTRZEŻENIE: Gdy łańcuch tnący zapcha się wirami, nie należy ciągnąć go ręką. Przypadkowe włączenie piły łańcuchowej może doprowadzić do poważnych urazów. Docisnąć łańcuch tnący do drewna i przesunąć piłę łańcuchową do przodu i do tyłu, aby usunąć zanieczyszczenia. Przed czyszczeniem należy zawsze wyjąć akumulator. Podczas wykonywania czynności przy

łańcuchu piły łańcuchowej należy mieć założone grube rękawice ochronne.

⚠ OSTRZEŻENIE: Nigdy nie należy włączać piły łańcuchowej, gdy dotyka ona drewna. Przed przyłożeniem piły łańcuchowej do drewna należy zawsze pozwolić, aby silnik rozpedził się do swoich maksymalnych obrotów.

⚠ OSTRZEŻENIE: Ponieważ pilarka z uchwytem górnym nie jest przeznaczona do używania na ziemi, dlatego niniejsza instrukcja nie zawiera wskazań dotyczących ścinania drzew, okrzyszwywania i przycinania gałęzi.

⚠ OSTRZEŻENIE: Niniejsza instrukcja wykonywania prac pilarskich na drzewie dotyczy piły łańcuchowej z uchwytem górnym, zaprojektowanej wyłącznie do wykonywania cięć bezpośrednio na drzewie przez specjalnie przeszkolonych specjalistów z uprawnieniami zajmujących się pielęgnacją drzew.

⚠ OSTRZEŻENIE: Ścinanie drzewa metodą alpinistyczną (kawalek po kawalek) może doprowadzić do obrażeń. Czynność ta powinna być wykonywana wyłącznie przez osobę przeszkoloną.

⚠ OSTRZEŻENIE: Użytkownicy, którzy pierwszy raz korzystają z tego urządzenia, powinni ćwiczyć cięcie kłód na koźle lub stojaku do cięcia drewna.

⚠ OSTRZEŻENIE: Nie należy pracować na drzewach przy silnym wietrze.

⚠ OSTRZEŻENIE: Przed rozpoczęciem pracy należy upewnić się, że wszystkie osoby postronne znajdują się w bezpiecznej odległości od miejsca, w którym będą spadały ucięte kawałki drewna.

⚠ OSTRZEŻENIE: Należy zawsze trzymać się w bezpiecznej odległości od ścinanego materiału; dotyczy to również używanych narzędzi.

⚠ OSTROŻNIE: Przed rozpoczęciem pracy na drzewie należy upewnić się, że akumulator jest w pełni naładowany.

Przycinanie (rys. P)

Aby nie dopuścić do uszkodzenia kory drzewa lub krzewu, należy wykonać następujące kroki. Nie należy wykonywać ruchów piłowania w przód i w tył.

1. Najpierw należy wykonać pierwsze płytkie cięcie od dołu (na głębokość 1/3 średnicy konaru), w pobliżu głównego konaru lub pnia.
2. Wykonać drugie cięcie od góry konaru, na zewnątrz względem pierwszego cięcia. Kontynuować piłowanie konaru aż oddzieli się on od drzewa. Przed zakończeniem cięcia należy się przygotować na

konieczność utrzymania ciężaru narzędzia po odcięciu konaru i upewnić się, że jest się w bezpiecznej odległości od niego.

- Wykonać cięcie końcowe blisko pnia.

Ścinanie drzewa kawałek po kawałku (metoda alpinistyczna)

Przed przystąpieniem do ścinania drzewa metodą alpinistyczną (kawałek po kawałku), w miejscach, w którym mają zostać wykonane cięcia, należy usunąć z drzewa luźną korę, gwoździe, zszywki i druty.

Rzaz podcinający

Rzaz należy wykonać na głębokość 1/4 średnicy drzewa, prostopadle do kierunku obalania, tak jak na Rys. Q. Najpierw należy wykonać dolne nacięcie poziome. W ten sposób łańcuch i prowadnica pilarki nie będą się zakleszczały w nacięciu podczas wykonywania drugiego nacięcia.

Q-1	Kierunek obalania	Q-3	Rzaz ścinający
Q-2	Karb	Q-4	Zawiasa

PL

Rzaz ścinający

- Wykonać rzaz ścinający (od tyłu) o tej samej wysokości co nacięcie poziome, tak jak pokazano na Rys. Q. Rzaz ścinający powinien być równoległy do poziomego rzażu podcinającego. Rzaz ścinający należy wykonać w taki sposób, aby zostawić dostatecznie duży fragment drewna, która spełni rolę zawiasy. Zawiasa zapobiega obróceniu się drzewa w czasie obalania oraz upadkowi w złym kierunku. Zawiasy nie należy więc przecinać.
- Gdy rzaz ścinający zbliży się do zawiasy, drzewo powinno zacząć upadać. Jeżeli istnieje ryzyko, że drzewo może upaść w złą stronę lub stoczyć się lub zakleszczyć łańcuch pilarki, należy przerwać pilowanie przed dokończeniem rzażu ścinającego oraz użyć klinów (drewnianych, plastikowych lub aluminiowych) w celu otwarcia nacięcia i spuszczenia sekcji drzewa w zaplanowaną stronę.
- Gdy sekcja drzewa zacznie opadać należy wyjąć piłę łańcuchową z nacięcia, wyłączyć silnik i włączyć hamulec łańcucha. Należy uważać na spadające gałęzie i nierówności podłoża.

KONSERWACJA

⚠ OSTRZEŻENIE: Do serwisowania należy używać wyłącznie części zamiennych identycznych z oryginalnymi. Używanie jakichkolwiek innych części stwarza ryzyko i może spowodować usterkę produktu. Aby zagwarantować bezpieczeństwo i niezawodność, wszystkie naprawy

powinny być wykonywane przez wykwalifikowanych techników serwisu.

⚠ OSTRZEŻENIE: Aby uniknąć poważnych obrażeń ciała, na czas przeglądu, czyszczenia lub wykonywania prac konserwacyjnych należy zawsze wyjmować z produktu akumulator. Narzędzie akumulatorowe z włożonym akumulatorem może się zawsze przypadkowo włączyć.

⚠ OSTRZEŻENIE: Podczas czyszczenia piły łańcuchowej, NIE WOLNO zanużyć jej w wodzie ani innych płynach.

⚠ OSTRZEŻENIE: Nigdy nie należy dopuszczać do zetknięcia się części plastikowych z substancjami takimi jak płyn hamulcowy, benzyna, produkty ropopochodne, oleje penetrujące itp. Substancje chemiczne mogą uszkodzić, osłabić lub zniszczyć plastik i spowodować poważne obrażenia ciała.

CZYSZCZENIE

- Po każdym użyciu należy miękką szczoteczką usunąć zanieczyszczenia z łańcucha i prowadnicy. Powierzchnię piły łańcuchowej należy przetrzeć czystą szmatką zwilżoną roztworem delikatnego mydła.
- Zdjąć pokrywę boczną i miękką szczoteczką usunąć zanieczyszczenia z prowadnicy, łańcucha tnącego, zębątki i pokrywy bocznej.
- Przy wymianie łańcucha tnącego należy zawsze usunąć z rowka prowadnicy drzazgi, wióry i zanieczyszczenia.

KONSERWACJA PROWADNICY

Gdy prowadnica wykazuje ślady zużycia, należy ją wymontować z głowicy napędowej piły łańcuchowej, odwrócić i zamontować ponownie (Rys. R1). W ten sposób jej zużywanie się rozkłada się równomiernie, przez co czas użytkowania jest maksymalny.

Prowadnicę należy czyścić każdego dnia pracy, jednocześnie należy ją kontrolować pod kątem zużycia i uszkodzenia. Szczerbienie się lub powstawanie wżerów na prowadnicy jest normalnym procesem zużywania się. Tego typu defekty należy wyglądać pilnikiem natychmiast gdy się pojawiają. Prowadnicę z następującymi defektami należy wymienić:

- Zużycie od środka szyn prowadnicy, pozwalające łańcuchowi zsuwać się na boki.
- Wygięta prowadnica.
- Pęknięte lub uszkodzone szyny.
- Rozgięte szyny.

Dodatkowo prowadnica jest wyposażona na końcu w zębątkę (Rys. R2). Zębątką ta musi być co tydzień

smarowana strzykawką olejową – przedłuży to czas użytkowania prowadnicy. Cotygodniowe smarowanie należy wykonywać przez wstrzykiwanie strzykawką olejową oleju do łańcuchów przez otwór do smarowania (Rys. R3). Przekręcić prowadnicę i sprawdzić, czy otwory do smarowania i rowek na łańcuch nie są zanieczyszczone.

R-1	Zębatka na końcu prowadnicy
R-2	Otwór do smarowania

TRANSPORT I PRZECHOWYWANIE

- Piły łańcuchowej nie należy chować ani transportować w czasie, gdy urządzenie pracuje. Przed schowaniem lub transportowaniem należy zawsze wyjąć akumulator.
- Przed schowaniem lub transportowaniem piły łańcuchowej należy zawsze założyć osłonę łańcucha na prowadnicę. Prosimy zachować ostrożność, aby nie skaleczyć się zębami łańcucha.
- Produkt należy zawsze nosić za jego uchwyt przedni.
- Urządzenie należy chronić przed silnymi uderzeniami lub drganiami, które mogłyby wystąpić w czasie transportu pojazdami.

- Przed schowaniem piły łańcuchowej należy dokładnie wyczyścić, a ze zbiornika na olej wylać olej. Piłę łańcuchową należy przechowywać w suchym pomieszczeniu zamkniętym i/lub niedostępnym dla dzieci.
- Wyrób należy chronić przed żrącymi substancjami takimi jak chemia ogrodnicza i sól do usuwania lodu.

OCHRONA ŚRODOWISKA



Urządzeń elektrycznych, zużytych akumulatorów i ładowarki nie należy wyrzucać do zwykłych zmieszanych śmieci domowych!

Produkt należy oddać do zbiórki selektywnej w autoryzowanym punkcie recyklingu. Elektronarzędzia należy oddawać do przyjaznego dla środowiska zakładu recyklingu.

ROZWIĄZYWANIE PROBLEMÓW

▲ OSTRZEŻENIE: Należy zawsze chronić swoje dłonie i na czas wykonywania prac serwisowych przy pilarnie zakładać grube rękawice. Na czas wykonywania czynności serwisowych oraz transportowania piły łańcuchowej należy zawsze wyjmować akumulator.

PROBLEM	PRZYCZYNA	ROZWIĄZANIE
PL Silnik nie pracuje.	<ul style="list-style-type: none"> ■ Do piły łańcuchowej nie włożono akumulatora. ■ Piła łańcuchowa i akumulator nie kontaktują. ■ Akumulator jest rozładowany. ■ Akumulator lub piła łańcuchowa jest zbyt gorący/-a. ■ Przed wciśnięciem przełącznika spustowego nie została wciśnięta dźwignia blokady. ■ Zaciągnięty hamulec łańcucha. ■ Łańcuch tnący zaklinował się w drewnie. ■ Zanieczyszczenia w rowku prowadnicy. ■ Zanieczyszczenia w pokrywie bocznej. ■ Używany jest akumulator o pojemności 4,0 Ah lub większej. 	<ul style="list-style-type: none"> ■ Włożyć akumulator do piły łańcuchowej. ■ Wyjąć akumulator, sprawdzić styki i założyć akumulator z powrotem. ■ Naładować akumulator. ■ Pozostawić akumulator lub pilę łańcuchową do ostygnięcia, aż temperatura spadnie do zalecanego przedziału temperatur roboczych. ■ Aby włączyć pilę łańcuchową, wcisnąć i przytrzymać dźwignię blokady, a następnie nacisnąć przełącznik spustowy. ■ Pociągnąć dźwignię hamulca łańcucha w tył do uchwyty przedniego, do pozycji roboczej. ■ Puścić przełącznik spustowy; wyjąć łańcuch tnący i prowadnicę z drewna, następnie ponownie włączyć pilę łańcuchową. ■ Docisnąć łańcuch tnący do drewna i przesunąć pilę łańcuchową do przodu i do tyłu, aby usunąć zanieczyszczenia. ■ Wyjąć akumulator, następnie zdjąć pokrywę boczną i usunąć zanieczyszczenia. ■ Używać wyłącznie akumulatorów EGO 2,5 Ah BA1400 i BA1400T.
Piła łańcuchowa nieoczekiwanie zatrzymuje się podczas pracy.	<ul style="list-style-type: none"> ■ Piła łańcuchowa jest przeciążona. ■ Akumulator lub piła łańcuchowa jest zbyt gorący/-a. ■ Łańcuch tnący zaklinował się w drewnie. 	<ul style="list-style-type: none"> ■ Zmniejszyć obciążenie. ■ Pozostawić akumulator lub pilę łańcuchową do ostygnięcia, aż temperatura spadnie do zalecanego przedziału temperatur roboczych. ■ Puścić przełącznik spustowy; wyjąć łańcuch tnący i prowadnicę z drewna, następnie ponownie włączyć pilę łańcuchową.
Silnik pracuje, ale łańcuch się nie kręci.	<ul style="list-style-type: none"> ■ Łańcuch nie jest zaczepiony na zębatce napędowej. 	<ul style="list-style-type: none"> ■ Wyjąć akumulator i ponownie założyć łańcuch, dopilnować, aby ogniwa przesuwające łańcucha były całkowicie nałożone na zębatkę.

PROBLEM	PRZYCZYNA	ROZWIĄZANIE
Nie włącza się hamulec łańcucha.	<ul style="list-style-type: none"> ■ Zanieczyszczenia uniemożliwiają pełne przestawienie dźwigni hamulca łańcucha. ■ Być może hamulec łańcucha nie działa prawidłowo. 	<ul style="list-style-type: none"> ■ Usunąć zanieczyszczenia z zewnętrznego mechanizmu hamulca łańcucha. ■ Natychmiast zaprzestać używania piły łańcuchowej! Skontaktować się z punktem obsługi klienta EGO w celu dokonania naprawy.
Piła łańcuchowa nie tnie prawidłowo.	<ul style="list-style-type: none"> ■ Zbyt słabo naciągnięty łańcuch. ■ Tępy łańcuch. ■ Łańcuch założony do tyłu. ■ Zużyty łańcuch. ■ Suchy lub nadmiernie rozciągnięty łańcuch. ■ Łańcuch poza rowkiem prowadnicy. 	<ul style="list-style-type: none"> ■ Wyregulować naprężenie łańcucha zgodnie z instrukcjami podanymi w części „REGULACJA NAPIĘCIA ŁAŃCUCHA”. ■ Naostrzyć łańcuch. ■ Ponownie założyć łańcuch zgodnie z instrukcjami podanymi w części „MONTAŻ/ WYMIANA PROWADNICY I ŁAŃCUCHA”. ■ Wymienić łańcuch zgodnie z instrukcjami podanymi w części „MONTAŻ/WYMIANA PROWADNICY I ŁAŃCUCHA”. ■ Sprawdzić poziom oleju. W razie potrzeby uzupełnić olej w zbiorniku oleju. ■ Ponownie założyć łańcuch zgodnie z instrukcjami podanymi w części „MONTAŻ/ WYMIANA PROWADNICY I ŁAŃCUCHA”.
W czasie zwykłego użytkowania, łańcuch poluzuje się lub spada z prowadnicy.	<ul style="list-style-type: none"> ■ W czasie zwykłej pracy pilarką łańcuch poluzuje się i zwiększa się temperatura łańcucha. ■ Łańcuch nie jest zaczepiony na zębatce napędowej. 	<ul style="list-style-type: none"> ■ Napiąć łańcuch zgodnie z instrukcjami podanymi w części „REGULACJA NAPIĘCIA ŁAŃCUCHA”. ■ Ponownie założyć łańcuch zgodnie z instrukcjami podanymi w części „MONTAŻ/ WYMIANA PROWADNICY I ŁAŃCUCHA”.
Prowadnica i łańcuch nagrzewają się i dymią.	<ul style="list-style-type: none"> ■ Sprawdzić, czy łańcuch nie jest za mocno napięty. ■ Zbiornik na olej jest pusty. ■ Zanieczyszczenia w rowku prowadnicy. 	<ul style="list-style-type: none"> ■ Podregulować naprężenie łańcucha zgodnie z instrukcjami podanymi w części „REGULACJA NAPIĘCIA ŁAŃCUCHA”. ■ Napelnić zbiornik olejem do prowadnic i łańcuchów. ■ Docisnąć łańcuch tnący do drewna i przesunąć pilę łańcuchową do przodu i do tyłu, aby usunąć zanieczyszczenia.

GWARANCJA

POLITYKA GWARANCYJNA EGO

W celu zapoznania się z wszystkimi warunkami polityki gwarancyjnej EGO prosimy wejść na stronę egopowerplus.eu.

PŘEČTĚTE SI VŠECHNY POKYNY!



PŘEČTĚTE SI NÁVOD K OBSLUZE

VAROVÁNÍ: Z důvodu zajištění bezpečnosti a spolehlivosti musí všechny opravy provádět kvalifikovaný servisní technik.

VAROVÁNÍ: Před použitím tohoto nářadí si přečtěte a seznáme se všemi bezpečnostními pokyny uvedenými v tomto návodu k obsluze včetně veškerých výstražných symbolů jako např. „**NEBEZPEČÍ**“, „**VAROVÁNÍ**“ a „**UPOZORNĚNÍ**“. Nedodržení níže uvedených pokynů může mít za následek úraz elektrickým proudem, požár anebo vážná zranění osob.

VŠECHNA VAROVÁNÍ A POKYNY USCHOVEJTE PRO BUDOUCÍ POUŽITÍ.

BEZPEČNOSTNÍ SYMBOLY

VAROVÁNÍ: Při použití jakéhokoli stroje může dojít k vymrštění cizích těles do očí, což může způsobit jejich závažné poškození. Před použitím elektrického nářadí si vždy nasadte ochranné brýle, ochranné brýle s bočními kryty nebo v případě potřeby obličejový štít. Na brýle nebo standardní ochranné brýle s bočními kryty doporučujeme použít ochrannou masku.

CZ



Bezpečnostní upozornění



Používejte ochranu očí



Používejte ochranu hlavy



Zpětný ráz hrotu vodící lišty



Dejte si pozor na zpětný ráz řetězové pily a vyvarujte se kontaktu s hrotem lišty



Garantovaná hladina akustického výkonu. Emise hluku do prostředí dle směrnice Evropského společenství.



Tento výrobek je v souladu s platnými směrnici ES.



Stejnosměrný proud

mm Milimetr

V Napětí



Z důvodu snížení nebezpečí úrazu si musí uživatel před použitím tohoto výrobku přečíst návod k obsluze a porozumět mu.



Používejte chrániče sluchu



Používejte ochranné rukavice



Při práci s řetězovou pilou vždy používejte obě ruce



Informace o vodící liště



Odpadní elektrické výrobky se nesmí likvidovat s domovním odpadem. Odevzdejte je do autorizovaného recyklačního střediska.



Tento výrobek je v souladu s platnými předpisy ve Spojeném království.

IPX4 Ochrana před stříkající vodou

n_b Rychlost při chodu naprázdno

./min Za minutu

TECHNICKÉ ÚDAJE

Mjmenovit napet	56 V	
Max. Rychlost řetezu	20 m/s	
Rozte řetezu	1/4" (6,4 mm)	
Merka řetezu	1,1 mm	
Delka vodic lity	300 mm	
Model řetezov pily	AC1204Q (do- porueno)	
	AC1000Q (kom- patibiln)	
Model vodic lity	AG1000Q (kom- patibiln)	
Model řetezov pily a soupravy lity	AK1204Q (do- porueno)	
Objem olejov nadre	150 ml	
Hmotnost (bez akumultoru, řetezu pily, vodic lity, bonho krytu, oleje a krytu řetezu)	1,9 kg	
Doporuen provozn teplota	-15°C – 40°C	
Doporuen skladovac teplota	- 20°C – 70°C	
Doporuen teplota naben	5°C – 40°C	
Meřen hladina akustickho vykonu L_{WA}	97 dB(A) K=3,6 dB(A)	
Hladina akustickho tlaku v mste obsluhy L_{PA}	89 dB(A) K = 3 dB(A)	
Zaruen uroven akustickho vykonu L_{WA} (podle 2000/14/ES)	101 dB(A)	
Vibrace a_h	Předn rukojet'	2,64 m/s ² K=1,5 m/s ²
	Zadn rukojet'	2,05 m/s ² K=1,5 m/s ²

- Celkov deklarovan hodnota vibrac byla nameřena podle standardn zkuebn metody a lze ji pouit ke srovnn s jinm nařadm;
- Celkovou deklarovanou hodnotu vibrac lze pouit tak k předbežnmu stanoven expozinch limit.

POZNMKA: Emise vibrac při konkretnm pouit elektrickho nařad se mohou liit od deklarovan hodnoty, při kter se nařad pouív; z dvodu ochrany provozovatele by mel uivatel ve skutench pracovnch podmnkch nosit rukavice a chrne sluchu.

OBSAH BALEN (OBR. A1)

POPIS

SEZNAMTE SE S VA ŘETEZOVOU PILOU (Obr. A1)

1. Vodic lita
2. Pilov řetez
3. Padlo brzdy řetezu při zpetnm razu
4. Zadn rukojet'
5. Předn rukojet'
6. Okenko pro kontrolu oleje
7. Uzver olejov nadre
8. Zajiovac jazyek
9. Hlavn vypna
10. Tlaitko pro uvolnn akumultoru
11. Bon kryt
12. Matice lity
13. Napnac šroub
14. Mazac otvor
15. Kryt řetezu
16. Zvesn šnura
17. Kombinovan kl

CZ

MONTAZ

MONTAZ/VMENA LITY A ŘETEZU

⚠ VAROVN: Před provednm jakkol montaze nebo udrby se ujistte, že akumultor je vyjmut. Nedodřen tohoto varovn muže vst k vznmu zrann osob.

⚠ VAROVN: Před montaz nastavte padlo brzdy řetezu při zpetnm razu do brzdn polohy.

⚠ VAROVN: Při manipulaci s litou a řetezem vždy pouivejte ochrann rukavice; tyto souast jsou ostr a mohou obsahovat oteřpy.

1. Položte hnac jednotku řetezov pily na bok tak, aby bon kryt smeřoval vzhru (obr. B).
2. Odstraňte bon kryt otoenm matice lity proti smeru hodinovch ruiek.
3. Otoenm napnacho šroubu proti smeru hodinovch ruiek uvolnte napnut řetezu.
4. Pilov řetez položte na rovn povrch a vyrovnte pripadn ohyby (obr. C).
5. Umstte hnac články řetezu do drazky vodic lity a vytvořte ze řetezu smyku v zadn části vodic lity (obr. D).

6. Držte řetěz v dané poloze na vodící liště a nasadíte smýčku kolem řetězového kola pily (obr. E1).

D-1	Hnací článek řetězu	E-2	Vyrovňovací příruby
D-2	Drážka vodící lišty	E-3	Napínací kolík
E-1	Hnací kolo	E-4	Upínací šroub

POZNÁMKA: Při nasazování řetězu na vodící lištu se ujistěte, že po nasazení vodící lišty na pilu odpovídá orientace řetězu ikoně řetězu a šipce směru otáčení na krytu pily (obr. E1). Pokud směřují opačnými směry, namontujte pilový řetěz zpět na vodící lištu tak, aby směřovaly stejným směrem (obr. E2).

7. Umístěte vodící lištu na montážní povrch posunutím drážky vodící lišty přes vyrovnávací příruby. Ujistěte se, že je vodící lišta správně umístěna nad upevňovacím šroubem a napínacím čepem.
8. Nasadíte boční kryt na kryt řetězové pily (obr. E3) a plně utáhněte matici lišty.

CZ

POZNÁMKA: Během montáže a údržby může kovová deska pod vodící lištou (obr. F) vyskočit. Pokud k tomu dojde, důkladně vyčistěte mezeru mezi tímto kovovým kusem a pouzdem a zatlačte kovovou desku zpět tak, aby byla v jedné rovině s pouzdem. Pokud kovovou desku nevyčistíte a správně neumístíte, dojde k vychýlení vodící lišty.

9. Otáčejte řetězem ručně, abyste zkontrolovali, zda je řetěz správně sestaven bez vazby. Pokud ano, řetěz a lištu opět sestavte.

POZNÁMKA: Chcete-li prodloužit životnost vodící lišty, občas ji obraťte.

NASTAVENÍ NAPNUTÍ ŘETĚZU

- Před nastavením napnutí řetězu vypněte motor a vyjměte akumulátor. Otáčením napínacího šroubu ve směru nebo proti směru hodinových ručiček nastavte napnutí řetězu (obr. F), dokud řetěz těsně nedosedne na vodící lištu s hnacími články v drážce vodící lišty.
- Studený řetěz je správně napnutý, pokud není na spodní straně vodící lišty prověšený, přiléhá, ale lze jím volně otáčet rukou. Řetěz se musí znovu napnout vždy, když plošky hnacích článků nedosadají do drážky lišty.
- Při běžném provozu pily se teplota řetězu zvyšuje. Hnací články správně napnutého horkého řetězu budou viset přibližně 1-2 mm pod drážkou lišty (obr. G).

POZNÁMKA: Nové řetězy mají tendenci se natáhnout;

napnutí řetězu pravidelně kontrolujte a podle potřeby napněte.

POZNÁMKA: Řetěz napnutý za horka může být po vychladnutí příliš napnutý. Před dalším použitím zkontrolujte napnutí za studena.

OBSLUHA

VAROVÁNÍ: Dbejte na to, abyste po seznámení s výrobkem nepřestali být opatrní. Nezapomínejte, že stačí chvíle nepozornosti a může se stát vážný úraz.

VAROVÁNÍ: Nepoužívejte nástavce nebo příslušenství, které nedoporučuje výrobce tohoto výrobku. Použití nedoporučených nástavců a příslušenství může vést k vážnému úrazu.

VAROVÁNÍ: Pokud provádíte montáž dílů, úpravy, čištění, nebo výrobek nepoužíváte, vždy vyjměte akumulátor, aby nedošlo k neúmyslnému spuštění, které může způsobit vážný úraz.

Před každým použitím zkontrolujte celý výrobek, zda není poškozen, nechybí nebo nejsou uvolněné žádné díly, jako např. vruty, matice, šrouby, uzávěry atd. Pevně utáhněte všechny upevňovací prvky a uzávěry a výrobek nepoužívejte, pokud se nevymění všechny chybějící nebo poškozené díly.

POUŽITÍ

Tento výrobek můžete použít pro základní řezání ve stromech.

VAROVÁNÍ: Nepoužívejte tuto řetězovou pilu na stromě, pokud k tomu nejste speciálně vyškoleni. Provoz řetězové pily ve stromě bez řádného školení může zvýšit riziko vážného zranění.

POZNÁMKA: Stroj se smí používat pouze k vyhrazenému účelu. Jakékoliv jiné použití se považuje za zneužití.

DOPLŇOVÁNÍ MAZIVA LIŠTY A ŘETĚZU

VAROVÁNÍ: V blízkosti oleje nebo řetězové pily nekuřte ani nerozdělávejte oheň. Olej se může rozlít a způsobit požár.

POZNÁMKA: Při nákupu v řetězové pile není olej. Proto je před použitím nezbytné naplnit nádrž olejem. Řetěz je během provozu automaticky mazán řetězovým olejem, pokud je v olejové nádrži dostatek oleje.

1. Položte řetězovou pilu na bok tak, aby uzávěr nádrže směřoval nahoru.
2. Vyčistěte víčko olejové nádrže a její okolí, aby se do olejové nádrže nedostaly žádné nečistoty.

3. Zvedněte půlkruhovou destičku a otočte víčko olejové nádrže proti směru hodinových ručiček (obr. H) pro odšroubování.
4. Opatrně nalijte řetězový olej do nádrže. Nádrž naplňte až po spodní část plnicího hrdla.
5. Setřete přebytečný olej a našroubujte uzávěr.

POZNÁMKA: Často kontrolujte hladinu oleje a když hladina oleje klesne pod rysku minima, olej doplňte. Nikdy řetězovou pilu nepoužívejte, pokud není vidět olej.

POUŽÍVÁNÍ ŠŇŮROVÉHO OKA (obr. H)

VAROVÁNÍ: Při zavěšení řetězové pily na opasek s nářadím vždy zakryjte řetěz a vodící lištu krytem řetězu. Řetěz pily je ostrý a může způsobit vážná zranění.

VAROVÁNÍ: Ujistěte se, že šňůra je dostatečně pevná, aby unesla celkovou hmotnost řetězové pily a akumulátoru. V případě pádu řetězové pily může dojít k vážným zraněním a škodám na majetku.

INSTALACE/VYJMUTÍ AKUMULÁTORU

Používejte pouze EGO akumulátory a nabíječky uvedené na obr. A2.

Před prvním použitím akumulátor plně nabijte.

Instalace

Srovnajte žebrování akumulátoru s instalačními drážkami a tlačte akumulátor dokud neuslyšíte „kliknutí“ (obr. I).

Vyjmutí

Stiskněte tlačítko pro uvolnění akumulátoru a vytáhněte jej (obr. J).

VAROVÁNÍ: Abyste udrželi pohodlnou rovnováhu při řezání, používejte pouze akumulátor BA1400/BA1400T.

SPUŠTĚNÍ/VYPNUTÍ ŘETĚZOVÉ PILY

POZNÁMKA: Před spuštěním řetězové pily zkontrolujte hladinu oleje, napnutí řetězu, ostrost pilových zubů a správnou funkci brzdy při zpětném rázu. Kromě toho je nezbytný vyvážený postoj a správná vzdálenost od země.

Spuštění (obr. K)

1. Zatáhněte pádlo brzdy při zpětném rázu směrem k přední rukojeti do pracovní polohy (obr. K).
 2. Pevně uchopte přední rukojeť levou rukou a zadní rukojeť pravou rukou.
- VAROVÁNÍ:** Abyste předešli zranění, vždy používejte řetězovou pilu tak, že pravou rukou uchopíte oblast uchopení zadní rukojeti (obr. L).
3. Posuňte zajišťovací jazýček dopředu a poté stisknutím

spouštěcího spínače spusťte pilu (obr. L).

L-1	Oblast uchopení
-----	-----------------

4. Uvolněte zajišťovací jazýček a pokračujte ve stisknutí spínače, abyste mohli pokračovat v provozu.
5. Čím více je spouštěcí spínač stlačen, tím vyšší je rychlost řetězu. Upravte rychlost tak, aby vyhovovala aktuálnímu úkolu.

VAROVÁNÍ: Nepokoušejte se pilu spouštět, pokud je pilový řetěz v řezu.

Zastavení

1. Přesuňte řetězovou pilu mimo oblast řezu a poté uvolněte spínač, abyste zastavili řetězovou pilu.
2. Zatlačte brzdu proti zpětnému rázu řetězu dopředu do polohy brzdy, abyste zapnuli brzdu řetězu (obr. K).

VAROVÁNÍ: Při přestávce a po skončení práce vždy vyjměte akumulátor ze stroje.

SPRÁVNÝ ÚCHOP RUKOJETÍ (OBR. M)

- Pro dosažení maximální pevnosti úchopu a ochrany použijte protiskluzové rukavice.
- Na pevném a rovném povrchu držte pilu pevně oběma rukama.
- Vždy uchopte přední rukojeť levou rukou a zadní rukojeť pravou rukou.
- Prsty musí obepnout rukojeť s palcem sbaleným pod přední rukojetí.

VAROVÁNÍ: Nikdy nepoužívejte levoruký (překřížený) úchop nebo postoj, při kterém tělo nebo paže kříží dráhu řetězu.

VAROVÁNÍ: Spoušť nespouštějte levou rukou a přední rukojeť nedržte pravou rukou. Nikdy nedovolte, aby jakákoliv část vašeho těla byla při používání pily v linii jejího řezu (obr. N).

SPRÁVNÝ POSTOJ PŘI ŘEZÁNÍ (OBR. O)

- Obě chodidla musí stát na pevné zemi s váhou rovnoměrně rozloženou.
- Levá paže musí být natažená se zafixovaným loktem. Pomáhá to odolávat silám generovaným zpětným rázem.
- Vaše tělo musí být vždy vlevo od dráhy řetězu.

BĚŽNÉ TECHNIKY ŘEZÁNÍ

VAROVÁNÍ: Když je motor v chodu, vždy dbejte na pevný postoj a pevně držte řetězovou pilu oběma rukama.

VAROVÁNÍ: Pokud se pilový řetěz při řezání zastaví

v důsledku sevření, uvolněte spínač; vyjměte pilový řetěz a vodící lištu ze dřeva, a pak řetězovou pilu restartujte.

VAROVÁNÍ: Netahejte za pilový řetěz rukou, pokud je zablokovaný pilinami. Hrozí riziko vážného úrazu, pokud se řetězová pila neúmyslně spustí. Zatlačte pilový řetěz proti dřevu a pohybujte řetězovou pilou tam a zpět, dokud se úlomky neuvolní. Před čistěním vždy vyjměte akumulátor. Při manipulaci s pilovým řetězem noste odolné ochranné rukavice.

VAROVÁNÍ: Nikdy řetězovou pilu nespouštějte, pokud je ve styku se dřevem. Než přiložíte řetězovou pilu ke dřevu, nechte ji roztočit na plné otáčky.

VAROVÁNÍ: Tato řetězová pila s horní rukojetí není určena k použití na zemi, proto tato příručka neobsahuje pokyny pro kácení stromů, ořezávání a odvětvování stromů.

VAROVÁNÍ: Tyto pokyny řezání ve stromě platí pro tuto řetězovou pilu s horní rukojetí, která je navržena výhradně pro řezání ve stromech certifikovanými odborníky speciálně vyškolenými na údržbu stromů.

VAROVÁNÍ: Odříznutí může způsobit zranění. Měla by jej provádět pouze proškolená osoba.

VAROVÁNÍ: Začátečníci by si měli procvičovat řezání kmenů na řezací koze nebo na držáku na dřevo.

VAROVÁNÍ: Nepracujte na stromech za silného větru.

VAROVÁNÍ: Před zahájením provozu zajistěte, aby se všechny přihlížející nedostaly do oblasti pádu.

VAROVÁNÍ: Vždy udržujte sebe a své zařízení mimo odstraňovaný materiál.

UPOZORNĚNÍ: Před prací na stromě se ujistěte, že je akumulátor plně nabitý.

Prořezávání (obr. P)

Abyste nedošlo k poškození kůry stromu či keře, postupujte podle následujících kroků. Při řezání nepoužívejte pohyb vpřed a vzad.

1. Udělejte mělký první řez (1/3 průměru větve) zesponu větve v blízkosti hlavní větve nebo kmenu.
2. Proveďte druhý řez z horní strany větve nad prvním řezem. Pokračujte v řezu skrz větve do jejího oddělení od stromu. Před dokončením řezu se připravte na vyvážení hmotnosti nástroje a ujistěte se, že je okolo něj volný prostor.
3. Proveďte konečné odříznutí těsně u kmene.

Odříznutí

Před odříznutím odstraňte uvolněnou kůru, hřebíky, skoby a drát ze stromu, kde mají být provedeny řezy.

Spodní zářez

Proveďte zářez do 1/4 průměru stromu kolmo ke směru pádu, jak je znázorněno na obr. Q. Nejprve proveďte dolní vodorovný zářez. Pomůže vám to zabránit sevření pilového řetězu nebo vodící lišty při druhém zářezu.

Q-1	Směr pádu	Q-3	Zadní řez
Q-2	Zářez	Q-4	Závěs

Zadní řez

- Proveďte zadní řez ve stejné výšce jako vodorovný zářez, jak je znázorněno na obr. Q. Zadní řez musí být rovnoběžný s vodorovným zářezem. Zadní řez proveďte tak, aby zbylo dostatečné množství dřeva, které bude sloužit jako závěs. Dřevěný závěs zabraňuje stromu, aby se při pádu zkroutil špatným směrem. Neřežte přes závěs.
- Jakmile se zadní řez přiblíží k závěsu, strom by měl začít padat. Pokud existuje možnost, že by strom nemusel spadnout v požadovaném směru, nebo by se mohl zakymáčet a zaklínit řetězovou pilu, zastavte řezání dřív, než je zadní řez dokončen a k rozveření řezu a porážení stromu v požadovaném směru použijte dřevěné, plastové nebo hliníkové klíny.
- Když blok stromu začne padat, vyjměte řetězovou pilu z řezu, zastavte motor a aktivujte brzdu řetězu. Dávejte pozor na padající vrchní větvě a sledujte cestu.

ÚDRŽBA

VAROVÁNÍ: Při opravách používejte pouze originální náhradní díly. Použití jiných dílů může představovat riziko nebo může způsobit poškození výrobku. Z důvodu zajištění bezpečnosti a spolehlivosti musí všechny opravy provádět kvalifikovaný servisní technik.

VAROVÁNÍ: Aby nedošlo k vážnému úrazu, vždy vyjměte před kontrolou, čistěním nebo údržbou z výrobku akumulátor. Akumulátorové nářadí s vloženým akumulátorem je vždy zapnuté a může se neúmyslně spustit.

VAROVÁNÍ: Při čistění NEPONOŘUJTE řetězovou pilu do vody ani jiných kapalin.

VAROVÁNÍ: Dbejte, aby nikdy nedošlo ke styku plastových částí s brzdovými kapalinami, benzinem, ropnými produkty, penetračními oleji atd. Chemické látky mohou poškodit, zeslabit nebo poškodit plast, což může

vést k vážnému úrazu.

ČIŠTĚNÍ

- Po každém použití odstraňte nečistoty z řetězu a vodící lišty měkkým kartáčem. Otřete povrch řetězové pily čistým hadrem navlhčeným ve slabém mýdlovém roztoku.
- Sejměte boční kryt, a pak použijte měkký kartáč k odstranění nečistot z vodící lišty, pilového řetězu, řetězového kola a bočního krytu.
- Při výměně pilového řetězu vždy odstraňte z drážky vodící lišty dřevěné štěpky, piliny a nečistoty.

ÚDRŽBA VODICÍ LIŠTY

Pokud vodící lišta vykazuje známky opotřebení, demontujte ji z hnací jednotky řetězové pily, obraťte ji a namontujte zpět (obr. R1). Tím se rozloží opotřebení a maximalizuje životnost lišty.

Lištu čistíte každý den, kdy se používá, a kontrolujte její opotřebení a poškození. Zkosení nebo otřepy vodících lišt jsou běžným procesem opotřebení lišty. Tyto závady odstraňte pilníkem, jakmile se objeví. Lištu, u které se projeví jedna z následujících poruch, musíte vyměnit.

- Opotřebení uvnitř vodících kolejnic, které umožňuje řetězu posun do boku.
- Ohnutá vodící lišta.
- Prasklé nebo zlomené kolejnice.
- Roztažené kolejnice.

Vodící lišta má dále na hrotu řetězové kolo (obr. R2). Řetězové kolo se musí jednou týdně mazat mazací stříkačkou, aby se prodloužila životnost vodící lišty. Jednou týdně použijte mazací stříkačku k mazání řetězovým olejem s pomocí mazacího otvoru (obr. R3). Otočte vodící lištu a zkontrolujte, zda jsou mazací otvory a drážka řetězu čisté.

R-1	Řetězové kolo v hrotu vodící lišty
R-2	Mazací otvor

PŘEPRAVA A SKLADOVÁNÍ

- Řetězovou pilu nepřepravujte ani neskladujte, když je motor v chodu. Před uskladněním nebo přepravou vždy vyjměte akumulátor.
- Před uložením nebo přepravou řetězové pily vždy nasadte kryt na vodící lištu a řetěz. Dávejte pozor na ostré zuby řetězu.
- Výrobek vždy přenášejte za přední rukojeť.
- Chraňte výrobek před silnými nárazy nebo silnými vibracemi, ke kterým může dojít při přepravě ve vozidlech.
- Před uskladněním řetězovou pilu důkladně vyčistěte a vyprázdněte olejovou nádrž. Řetězovou pilu skladujte v interiéru, na suchém místě, které je zamknuté anebo je mimo dosah dětí.
- Uchovávejte v bezpečné vzdálenosti od korozivních látek, jako jsou chemické látky a rozmrazovací soli.

OCHRANA ŽIVOTNÍHO PROSTŘEDÍ



Elektrické zařízení, použité akumulátory a nabíječku nevhazujte do domovního odpadu!

Předějte tento výrobek autorizované recyklační společnosti ke tříděnému sběru. Elektrické nářadí musí být vráceno do zařízení pro ekologickou recyklaci.

CZ

ODSTRAŇOVÁNÍ ZÁVAD

VAROVÁNÍ: Při údržbě pilového řetězu vždy chráňte ruce s pomocí pevných rukavic. Při servisu nebo přepravě řetězové pily vždy vyjměte akumulátor.

PROBLÉM	PŘÍČINA	ŘEŠENÍ
Motor neběží.	<ul style="list-style-type: none"> ■ K řetězové pile není připojen akumulátor. ■ Bez elektrického kontaktu mezi pilou a akumulátorem. ■ Akumulátor je vybitý. ■ Akumulátor nebo řetězová pila jsou příliš horké. ■ Zajišťovací jazýček není před stisknutím spouštěcího spínače stlačen. ■ Brzda řetězu je aktivní. ■ Řetězová pila se zablokovala ve dřevě. ■ Nečistoty v drážce lišty. ■ Nečistoty v bočním krytu. ■ Používejte akumulátory s kapacitou 4,0 Ah nebo vyšší. 	<ul style="list-style-type: none"> ■ Nasadte akumulátor na řetězovou pilu. ■ Vyjměte akumulátor, zkontrolujte póly a znovu jej nainstalujte. ■ Nabijte akumulátor. ■ Nechte modul akumulátoru nebo řetězovou pilu vychladnout, dokud teplota neklesne na doporučený rozsah provozních teplot. ■ Stiskněte zajišťovací jazýček, držte jej a stiskněte spínač pro zapnutí řetězové pily. ■ Zatáhněte pádlo brzdy zpětného rázu řetězu směrem dozadu k přední rukojeti do provozní polohy. ■ Uvolněte spínač; vyjměte pilový řetěz a vodicí lištu ze dřeva, a pak řetězovou pilu restartujte. ■ Zatlačte pilový řetěz proti dřevu a pohybujte řetězovou pilou tam a zpět, dokud se úlomky neuvolní. ■ Vyjměte akumulátor, sejměte boční kryt a odstraňte nečistoty. ■ Používejte pouze s akumulátory EGO 2,5 Ah BA1400 a BA1400T.
Řetězová pila se během provozu neočekávaně zastaví.	<ul style="list-style-type: none"> ■ Řetězová pila je přetížená. ■ Akumulátor nebo řetězová pila jsou příliš horké. ■ Řetězová pila se zablokovala ve dřevě. 	<ul style="list-style-type: none"> ■ Snižte zatížení. ■ Nechte modul akumulátoru nebo řetězovou pilu vychladnout, dokud teplota neklesne na doporučený rozsah provozních teplot. ■ Uvolněte spínač; vyjměte pilový řetěz a vodicí lištu ze dřeva, a pak řetězovou pilu restartujte.
Motor běží, ale řetěz se netočí.	<ul style="list-style-type: none"> ■ Řetěz není nasazený na hnacím řetězovém kole. 	<ul style="list-style-type: none"> ■ Vyjměte akumulátor, znovu nainstalujte řetěz a dbejte na to, aby hnací články řetězu plně dosedly na řetězové kolo.
Brzda řetězu se neaktivuje.	<ul style="list-style-type: none"> ■ Nečistoty brání úplnému pohybu pádla brzdy řetězu při zpětném rázu. ■ Možné poruchy brzdy řetězu. 	<ul style="list-style-type: none"> ■ Odstraňte nečistoty z externího mechanismu brzdy řetězu. ■ Okamžitě přestaňte řetězovou pilu používat! Pro pomoc kontaktujte zákaznický servis společnosti EGO.

PROBLÉM	PŘÍČINA	ŘEŠENÍ
Řetězová pila neřeže správně.	<ul style="list-style-type: none"> ■ Nedostatečně napnutý řetěz. ■ Tupý řetěz. ■ Obráceně instalovaný řetěz. ■ Opotřeбенý řetěz. ■ Suchý nebo příliš napnutý řetěz. ■ Řetěz mimo drážku lišty. 	<ul style="list-style-type: none"> ■ Znovu nastavte napnutí řetězu podle pokynů v části: „NASTAVENÍ NAPNUTÍ ŘETĚZU“. ■ Naostřete řetěz. ■ Znovu nainstalujte pilový řetěz podle části „MONTÁŽ/VÝMĚNA LIŠTY A ŘETĚZU“. ■ Řetěz vyměňte podle pokynů v části: „MONTÁŽ/VÝMĚNA LIŠTY A ŘETĚZU“. ■ Zkontrolujte hladinu oleje. V případě potřeby doplňte olejovou nádrž. ■ Řetěz znovu nainstalujte podle pokynů v části: „MONTÁŽ/VÝMĚNA LIŠTY A ŘETĚZU“.
Řetěz se při běžném používání povolí nebo spadne z vodící lišty.	<ul style="list-style-type: none"> ■ Řetěz se povoluje, jak se teplota řetězu zvyšuje během normálního provozu pily. ■ Řetěz není nasazený na hnacím řetězovém kole. 	<ul style="list-style-type: none"> ■ Napněte řetěz podle následující části „NASTAVENÍ NAPNUTÍ ŘETĚZU“. ■ Řetěz znovu nainstalujte podle pokynů v části: „MONTÁŽ/VÝMĚNA LIŠTY A ŘETĚZU“.
Lišta a řetěz se zahřívají a kouří se z nich.	<ul style="list-style-type: none"> ■ Zkontrolujte, zda není řetěz příliš napnutý. ■ Zkontrolujte, zda není prázdná olejová nádrž. ■ Nečistoty v drážce vodící lišty. 	<ul style="list-style-type: none"> ■ Znovu napněte řetěz pily podle následující části „NASTAVENÍ NAPNUTÍ ŘETĚZU“. ■ Naplňte nádrž s mazivem pro lištu a řetěz. ■ Ztlačte pilový řetěz proti dřevu a pohybujte řetězovou pilou tam a zpět, dokud se úlomky neuvolní.

CZ

ZÁRUKA

ZÁRUČNÍ PODMÍNKY SPOLEČNOSTI EGO

Úplné záruční podmínky společnosti EGO naleznete na webové stránce egopowerplus.eu.

PREČÍTAJTE SI VŠETKY POKYNY!



PREČÍTAJTE SI NÁVOD NA OBSLUHU

VAROVANIE: Pre zaistenie bezpečnosti a spoľahlivosti je nevyhnutné, aby všetky opravy vykonával len kvalifikovaný servisný technik.

VAROVANIE: Pred použitím tohto nástroja si prečítajte a pochopte všetky bezpečnostné pokyny v tomto návode na obsluhu, vrátane všetkých bezpečnostných výstražných symbolov, ako sú „**NEBEZPEČENSTVO**“, „**VAROVANIE**“ a „**UPOZORNENIE**“. Nedodržanie nižšie uvedených pokynov môže mať za následok úraz elektrickým prúdom, požiar a/alebo vážne zranenie.

ODLOŽTE SI VŠETKY VAROVANIA A POKYNY PRE BUDÚCE POUŽITIE.

BEZPEČNOSTNÉ SYMBOLY

VAROVANIE: Pri práci s akýmkoľvek strojom vám môžu do očí vletieť cudzie predmety, čo môže mať za následok vážne poškodenie očí. Predtým, než začnete používať elektrické náradie, si vždy nasadte ochranné okuliare alebo ochranné okuliare s postrannými krytmi a prípadne celotvárový štít. Odporúčame použiť bezpečnostnú masku so širokým prierezom na okuliare alebo štandardné bezpečnostné okuliare s postrannými krytmi.



Bezpečnostné upozornenie



Používajte ochranu zraku



Používajte ochranu hlavy



Spätný ráz špičky vodiacej lišty



Dajte pozor na spätý ráz reťazovej pily a vyvarujte sa kontaktu s hrotom lišty



Garantovaná hladina akustického výkonu. Emisie hluku do prostredia podľa smernice Európskeho spoločenstva.



Tento výrobok je v súlade s platnými smernicami ES.



Jednosmerný prúd

mm Milimeter

V Napätie



Ak chcete znížiť riziko zranenia, používateľ musí pred použitím tohto výrobku prečítať a pochopiť návod na obsluhu.



Používajte ochranu sluchu



Používajte ochranné rukavice



Reťazovú pilu používajte vždy obojručne



Informácie o vodiacej lište



Odpadové elektrické výrobky sa nesmú likvidovať spolu s domovým odpadom. Odovzdajte do autorizovaného recyklačného strediska.



Tento výrobok je v súlade s platnou legislatívou Spojeného kráľovstva.

IPX4 Ochrana pred striekajúcou vodou

n_b Rýchlosť bez zataženia

./min Za minútu

TECHNICKÉ ÚDAJE

Menovité napätie	56 V	
Max. Rýchlosť reťaze	20 m/s	
Výška reťaze	1/4" (6,4 mm)	
Meradlo reťaze	1,1 mm	
Dĺžka vodiacej lišty	300 mm	
Model reťazovej pily	AC1204Q (odporúčané)	
	AC1000Q (kompatibilné)	
Model vodiacej lišty	AG1000Q (kompatibilné)	
Model reťazovej pily a súpravy lišty	AK1204Q (odporúčané)	
Objem olejovej nádrže reťaze	150 ml	
Hmotnosť (bez akumulátora, reťaze pily, vodiacej lišty, bočného krytu, oleja a krytu reťaze)	1,9 kg	
Odporúčaná prevádzková teplota	-15°C-40°C	
Odporúčaná skladovacia teplota	-20°C-70°C	
Odporúčaná teplota nabíjania	5°C-40°C	
Nameraná hladina akustického výkonu L_{WA}	97 dB(A) K = 3,6 dB(A)	
Hladina akustického tlaku na mieste obsluhy L_{PA}	89 dB(A) K = 3 dB(A)	
Zaručená úroveň akustického výkonu L_{WA} (podľa 2000/14/ES)	101 dB(A)	
Vibrácie a_h	Predná rukoväť	2,64 m/s ² K=1,5 m/s ²
	Zadná rukoväť	2,05 m/s ² K=1,5 m/s ²

- Deklarovaná celková hodnota vibrácií bola meraná v súlade so štandardnou skúšobnou metódou a môže sa použiť na vzájomné porovnanie jednotlivých náradí;
- Uvádzaná celková hodnota vibrácie sa môže použiť aj na predbežný odhad expozície.

POZNÁMKA: Emisia vibrácií pri skutočnom používaní náradia sa môže odlišovať od deklarovanej hodnoty, pri akej sa nástroj používa; za účelom ochrany obsluhy má používateľ v skutočných podmienkach použitia nosiť rukavice a ochranu sluchu.

OBSAH BALENIA (OBR. A1)

POPIS

SPOZNAJTE SVOJU REŤAZOVÚ PÍLU (obr. A1)

1. Vodiaca lišta
2. Reťaz pily
3. Lopatka reťazovej brzdy
4. Zadná rukoväť
5. Predná rukoväť
6. Okienko na kontrolu oleja
7. Uzáver olejovej nádrže
8. Uzamykací jazýček
9. Hlavný vypínač
10. Tlačidlo na uvoľnenie akumulátora
11. Bočný kryt
12. Matica lišty
13. Napínacia skrutka
14. Otvor na mazanie
15. Kryt reťaze
16. Vešiak na šnúru
17. Kombinovaný kľúč

SK

MONTÁŽ

MONTÁŽ/VÝMENA LIŠTY A REŤAZE

VAROVANIE: Pred akoukoľvek montážou alebo údržbou sa uistite, že je akumulátor vybratý. Nedodržanie tohto upozornenia môže mať za následok vážne poranenie osôb.

VAROVANIE: Pred montážou nastavte lopatku reťazovej brzdy do zabrzdenej polohy.

VAROVANIE: Pri manipulácii s lištou a reťazou vždy používajte rukavice. Tieto časti sú ostré a môžu sa na nich nachádzať zuby.

1. Umiestnite pohonnú hlavu reťazovej pily na bok s bočným krytom smerom nahor (obr. B).
2. Odstráňte bočný kryt otočením matice lišty proti smeru hodinových ručičiek.
3. Otáčaním napínacej skrutky proti smeru hodinových ručičiek uvoľníte napnutie reťaze.
4. Položte reťaz pily do slučky na rovný povrch a vyrovnajte prípadné záhyby (obr. C).
5. Umiestnite jednotlivé vodiace články reťaze do drážky vodiacej lišty a urobte slučku reťaze na zadnej strane

vodiacej lišty (obr. D).

- Reťaz držte v polohe na vodiacej lište a umiestnite slučku okolo reťazového kolesa pily (obr. E1).

D-1	Vodiaci článok reťaze	E-2	Podporné príruby
D-2	Drážka vodiacej lišty	E-3	Napínací čap
E-1	Hnacie ozubené koleso	E-4	Upevňovacia skrutka

POZNÁMKA: Pri nasadzovaní reťaze pily na vodiacu lištu sa uistite, že po namontovaní vodiacej lišty na pilu súhlasí ikona rezania a šípka smeru otáčania na kryte pily (obr. E1). Ak smerujú opačným smerom, namontujte reťaz pily na vodiacu lištu tak, aby zuby smerovali rovnakým smerom (obr. E2).

- Vodiacu lištu umiestnite na montážny povrch tak, že posuniete štrbinu vodiacej lišty cez podporné príruby. Skontrolujte, či je vodiaca lišta správne umiestnená nad upevňovacou skrutkou a napínacím čapom.
- Nasadte bočný kryt na skriňu reťazovej pily (obr. E3) a úplne utiahnite maticu lišty.

POZNÁMKA: Počas montáže a údržby môže kovová doska pod vodiacou lištou (obr. F) vyskočiť. Ak sa tak stane, dôkladne vyčistite medzeru medzi týmto kovovým dielom a puzdrom a zatlačte kovovú dosku späť tak, aby bola v **jednej rovine s puzdrom**. Ak kovovú dosku nevyčistíte a správne neumiestnite, spôsobí to nesprávne nastavenie vodiacej lišty.

- Otočte reťaz ručne, aby ste skontrolovali, či je reťaz správne zostavená bez viaznutia. V opačnom prípade znova namontujte reťaz a lištu.

POZNÁMKA: Ak chcete predĺžiť životnosť lišty, občas ju obráťte.

NASTAVENIE NAPNUTIA REŤAZE

- Pred nastavovaním napnutia reťaze zastavte motor a vyberte akumulátor. Otáčaním napínacej skrutky v smere alebo proti smeru hodinových ručičiek nastavte napnutie reťaze (obr. F), kým reťaz tesne nedosadne na vodiacu lištu s vodiacimi článkami v drážke vodiacej lišty.
- Studená reťaz je správne napnutá, ak nie je na spodnej strane vodiacej lišty žiaden priestor a reťaz prilieha, ale zároveň sa otáča bez viaznutia. Reťaz sa musí napínať vždy, keď plošky vodiacich článkov nezapadajú do drážky lišty.
- Počas bežného používania pily sa zvyšuje teplota reťaze. Vodiace články správne napnutej teplej reťaze

budú previsať približne 1-2 mm od vodiacej lišty (obr. G).

POZNÁMKA: Nové reťaze majú tendenciu sa natiahnuť; často kontrolujte napnutie reťaze a v prípade potreby ju napnite.

POZNÁMKA: Reťaz, ktorá bola napnutá za tepla, môže byť po ochladnutí príliš tesná. Pred ďalším použitím skontrolujte napnutie reťaze za studena.

PREVÁDZKA

VAROVANIE: Nedovoľte, aby dlhodobá skúsenosť práce s týmto výrobkom spôsobila vašu neopatrnosť. Pamätajte na to, že aj chvíľková neopatrnosť stačí na to, aby spôsobila vážny úraz.

VAROVANIE: Nepoužívajte žiadne doplnky alebo príslušenstvo, ak ho neodporúča výrobca uvedeného výrobku. Používanie doplnkov alebo príslušenstva, ktoré nie je odporúčané, môže viesť k vážnemu zraneniu osôb.

VAROVANIE: Pri montáži dielov, zmene nastavenia, čistení a ak náradie nepoužívate, vždy vyberte akumulátor zo stroja, aby ste zabránili náhodnému spusteniu, ktoré by mohlo spôsobiť vážne zranenia.

Pred každým použitím skontrolujte, či na zariadení nie sú poškodené, chýbajúce alebo uvoľnené časti, napríklad skrutky, matice, závit, uzávery, atď. Bezpečne utiahnite všetky upevňovacie prvky a uzávery a nepoužívajte tento výrobok, kým nebudú vymenené všetky chýbajúce alebo poškodené diely.

POUŽITIE

Tento výrobok môžete používať na základné rezanie v strome.

VAROVANIE: Túto reťazovú pilu nepoužívajte na stromoch, pokiaľ ste na to neboli špeciálne vyškolení. Práca s reťazovou pilou na strome bez náležitého školenia môže zvýšiť riziko vážneho poranenia osôb.

POZNÁMKA: Stroj sa smie používať iba na predpísané účely. Každé iné použitie sa považuje za prípad nevhodného použitia.

PLNENIE MAZIVA LIŠTY A REŤAZE

VAROVANIE: Nefajčte ani nepoužívajte oheň alebo plameň v blízkosti oleja alebo reťazovej pily. Olej sa môže rozliať a spôsobiť požiar.

POZNÁMKA: Pri kúpe nie je v reťazovej pile olej. Je nevyhnutné, aby ste pred použitím naplnili nádrž olejom. Reťaz sa počas prevádzky automaticky maže reťazovým olejom, ak je v olejovej nádrži dostatok oleja.

1. Reťazovú pílu položte na bok tak, aby uzáver nádrže smeroval nahor.
2. Vyčistite veko olejovej nádrže a jej okolie, aby sa žiadna špina nedostala do olejovej nádrže.
3. Nadvíhnite polkruhovú platňu a otočením veka olejovej nádrže ju odstráňte (obr. H).
4. Lištový a reťazový olej opatrne nalejte do nádrže. Naplňte po spodok plniaceho hrdla.
5. Utrite prebytočný olej a znovu nasadte uzáver.

POZNÁMKA: Hladinu oleja často kontrolujte a doplňujte, keď klesne pod minimálnu rysku. Nikdy nepoužívajte motorovú pílu, ak nie je viditeľný olej.

POUŽÍVANIE ZÁVESNEJ ŠNÚRY (obr. H)

VAROVANIE: Pri zavesení reťazovej píly na opasok s náradím vždy zakryte reťaz píly a vodiacu lištu plášt'om reťaze. Reťaz píly je ostrá a môže spôsobiť vážne poranenia.

VAROVANIE: Uistite sa, že šnúra je dostatočne pevná, aby udržala kombinovanú hmotnosť reťazovej píly a akumulátora. V prípade pádu reťazovej píly môže dôjsť k vážnym zraneniam a škodám na majetku.

PRÍPOJENIE/ODPOJENIE AKUMULÁTORA

Používajte iba EGO akumulátory a nabíjačky uvedené na obr. A2.

Pred prvým použitím úplne nabite.

Prípojenie

Zarovnajte rebrá akumulátora s montážnymi otvormi a zatlačte akumulátor, kým nebudete počuť „cvaknutie“ (obr. I).

Odpojenie

Stlačte tlačidlo na uvoľnenie akumulátora a vytiahnite akumulátor (obr. J).

VAROVANIE: Aby ste počas rezania pohodlne udržali rovnováhu, používajte len s akumulátorovou súpravou BA1400/BA1400T.

ZAPNUTIE/ZASTAVENIE REŤAZOVEJ PÍLY

POZNÁMKA: Pred spustením reťazovej píly skontrolujte hladinu oleja, napnutie reťaze, ostrosť zubov píly a správne fungujúcu lopatku spätné brzdy. Okrem toho je nevyhnutné udržiavať pevný postoj a správnu vzdialenosť od zeme.

Spustenie (obr. K)

1. Potiahnite lopatku reťazovej brzdy smerom k prednej rukoväti do prevádzkovej polohy (obr. K).
2. Pevne uchopte prednú rukoväť ľavou rukou a zadnú

rukoväť pravou rukou.

VAROVANIE: Aby ste predišli poraneniu, reťazovú pílu vždy používajte pravou rukou, ktorá sa drží v oblasti uchopenia zadnej rukoväte (obr. L).

3. Posuňte uzamykací jazýček dopredu a potom stlačte spínač spúšte, aby sa píla spustila (obr. L).

L-1	Oblasť uchopenia
-----	------------------

4. Uvoľnite uzamykací jazýček a stále držte stlačený spínač pre pokračovanie v činnosti.
5. Čím viac je hlavný spínač stlačený, tým väčšia je rýchlosť reťaze. Nastavte rýchlosť tak, aby vyhovovala vykonávanej úlohe.

VAROVANIE: Nepokúšajte sa zapnúť pílu, keď je reťaz píly v reze.

Vypnutie

1. Odsuňte reťazovú pílu z oblasti rezania a potom uvoľnite hlavný spínač, aby ste zastavili reťazovú pílu.
2. Zatlačte lopatku reťazovej brzdy dopredu do polohy brzdy, aby sa aktivovala brzda reťaze (obr. K).

VAROVANIE: Počas pracovných prestávok a po ukončení práce vždy vyberte zo stroja akumulátor.

SPRÁVNE UCHOPENIE RUKOVÄTÍ (OBR. M)

- Používajte protišmykové rukavice s cieľom maximalizovať uchopenie a ochranu.
- Držte pílu pevne obomi rukami na pevnom a rovnom povrchu.
- Vždy uchopte prednú rukoväť ľavou rukou a zadnú rukoväť pravou rukou.
- Prsty by mali obopínať rukoväť s palcom pod prednou rukoväťou.

VAROVANIE: Nikdy používajte úchop ľavou rukou (s prekríženými rukami) alebo akýkoľvek postoj, ktorý by posunul vaše telo alebo ruku do dráhy reťaze.

VAROVANIE: Nespúšťajte hlavný vypínač ľavou rukou, pričom pravou rukou držíte prednú rukoväť. Pri práci s reťazovou pílou nikdy nedovoľte, aby sa akákoľvek časť vášho tela nachádzala v dráhe reťaze (obr. N).

SPRÁVNY POSTOJ PRI PÍLENÍ (OBR. O)

- Obe chodidlá musia byť na pevnej zemi s rovnomerne rozmiestnenou hmotnosťou.
- Ľavá ruka má byť vystretá a lakeť pevný. Pomáha to odolávať silám vytvoreným spätným rázom.
- Telo musí byť vždy na ľavej strane dráhy reťaze.

BEŽNÉ TECHNIKY REZANIA

VAROVANIE: Vždy sa uistite, že váš postoj je pevný a držte reťazovú pílu pevne obomi rukami, keď je motor zapnutý.

VAROVANIE: Keď sa reťazová píla zastaví kvôli zablokovaniu počas pílenia, uvoľnite páčku; vyťahnite reťazovú pílu a vodiacu lištu z dreva, potom reťazovú pílu znovu zapnite.

VAROVANIE: Neťahajte reťazovú pílu rukou, ak je obalená pilinami. Ak sa reťazová píla zapne náhodne, môže to viesť k vážnemu úrazu. Zatláčte reťazovú pílu proti drevu a zatraste pílu hore dolu, aby ste sa zbavili úlomkov. Pred čistením vždy vyberte akumulátor. Pri manipulácii s reťazou píly používajte pevné ochranné rukavice.

VAROVANIE: Nikdy nezapínajte reťazovú pílu, keď sa dotýka dreva. Reťazová píla musí dosiahnuť plnú rýchlosť pred jej použitím na pílenie dreva.

VAROVANIE: Táto reťazová píla s hornou rukoväťou nie je určená na používanie v teréne, preto tento návod neobsahuje pokyny na výrub stromov, odvetvovanie a orezávanie stromov.

VAROVANIE: Tieto pokyny na rezanie v strome sa vzťahujú na túto reťazovú pílu s hornou -rukoväťou, ktorá je určená výlučne na rezanie v strome certifikovanými odborníkmi na rezanie stromov, ktorí sú na to špeciálne vyškolení.

VAROVANIE: Odrezanie môže mať za následok zranenie. Mala by ho vykonávať len vyškolená osoba.

VAROVANIE: Prví používatelia by si mali rezanie kmeňov navčičiť na pracovnej koze alebo stojane na drevo.

VAROVANIE: Nepracujte na stromoch so silným vetrom.

VAROVANIE: Pred začatím práce sa uistite, že všetky okolostojace osoby sú mimo oblasti pádu.

VAROVANIE: Vždy udržiavajte seba a svoje vybavenie mimo odstraňovaného materiálu.

UPOZORNENIE: Pred prácou na strome sa uistite, že je akumulátor úplne nabitý.

Prerezávanie (obr. P)

Aby nedošlo k poškodeniu kôry stromu či krika, postupujte podľa nasledujúcich krokov. Nepoužívajte pohyb vpred a vzad pri rezaní.

1. Urobte plytký prvý rez (1/3 priemeru konára) zospodu konára v blízkosti hlavného konára alebo kmeňa.

- Urobte druhý rez z hornej strany konára nad prvým rezom. Pokračujte v reze cez konár do jeho oddelenia od stromu. Pred dokončením rezu sa pripravte na vyváženie hmotnosti nástroja a uistite sa, že ste od neho v bezpečí.
- Urobte konečné odrezanie tesne pri kmeni.

Odrezanie

Pred odrezaním odstráňte zo stromu v mieste rezov uvoľnenú kôru, klnce, svorky a drôty.

Predný spodný rez

Urobte zárez do 1/4 priemeru stromu kolmo na smer pádu podľa zobrazenia na obr. Q. Najskôr urobte horizontálny predný spodný rez. Pomáha to predchádzať zovretiu reťaze píly alebo vodiacej lišty pri robení druhého rezu.

Q-1	Smer pádu	Q-3	Zadný rez
Q-2	Spodný rez	Q-4	Záves

Zadný rez

- Zadný rez urobte v rovnakej výške ako horizontálny rez podľa obr. Q. Zadný rez musí byť rovnobežný s vodorovným zárezom. Zadný rez vykonajte tak, aby zostalo dostatočné množstvo dreva, ktoré bude slúžiť ako kĺb. Nedorezok zabraňuje tomu, aby sa strom stočil a spadol zlým smerom. Nepilte nedorezok.
- Keď sa zadný rez priblíži k kľbu, strom by mal začať padať. Ak existuje možnosť, že strom nespadne v požadovanom smere, alebo rozkmitá reťazovú pílu, prestaňte píliť predtým, než dokončíte zadný rez a použite kliny z dreva, plastu alebo hliníka na to, aby ste otvorili výrez a zhodili strom v požadovanom smere pádu.
- Keď blok stromu začne padať, odstráňte reťazovú pílu z rezu, zastavte motor a aktivujte brzdu reťaze. Dávajte pozor na padajúce vetvy v úrovni nad hlavou a dbajte na správny postoj.

ÚDRŽBA

VAROVANIE: Pri údržbe používajte iba originálne náhradné diely. Použitie iných častí môže vyvolať nebezpečenstvo, alebo spôsobiť poškodenie výrobku. Pre zaistenie bezpečnosti a spoľahlivosti je nevyhnutné, aby všetky opravy vykonával len kvalifikovaný servisný technik.

VAROVANIE: Aby ste predišli vážnemu zraneniu osôb, pred kontrolou, čistením alebo údržbou vždy vyberte akumulátor z výrobku. Akumulátorové náradie sa môže spustiť náhodne, ak je v ňom vložený akumulátor.

VAROVANIE: Pri čistení reťazovej píly ju

NEPONÁRAJTE do vody ani do iných kvapalín.

VAROVANIE: Nikdy nedovoľte, aby brzdové kvapaliny, benzín, ropné výrobky, penetračné oleje atď. prišli do styku s plastovými časťami. Chemické látky môžu poškodiť, oslabiť alebo zničiť plast, čo môže viesť k vážnemu zraneniu.

ČISTENIE

- Po každom použití odstráňte nečistoty z reťaze a vodiacej lišty použitím mäkkej kefy. Utrite povrch reťazovej pily čistou handričkou navlhčenou v slabom mydlovom roztoku.
- Zložte bočný kryt a potom použite mäkkú kefu na odstránenie nečistôt z vodiacej lišty, reťaze pily, ozubeného kolesa a bočného krytu.
- Pri výmene reťaze pily vždy odstráňte drevnú štiepku, piliny a nečistoty z drážky vodiacej lišty.

ÚDRŽBA VODIACEJ LIŠTY

Ak vodiaca lišta vykazuje známky opotrebovania, demontujte ju z motorovej hlavy reťazovej pily a pri opätovnej montáži ju obráťte (obr. R1). V takom prípade sa opotrebenie rozdelí rovnomerne pre maximálnu životnosť vodiacej lišty.

Lišta sa má čistiť po každom použití a je potrebné ju kontrolovať na známky opotrebovania a poškodenia. Otrepávanie alebo tvorenie drsných okrajov na kofajničkách lišty je normálnym procesom opotrebovania lišty. Tieto nedokonalosti treba vyhladiť pomocou pilníka hneď, ako sa objavia. Lištu, ktorá vykazuje nasledujúce nedostatky, je potrebné vymeniť.

- Opotrebovanie vo vnútri kofajnic lišty umožňuje, aby sa reťaz dostala cez bočné strany.
- Zohnutá vodiaca lišta.
- Prasknuté alebo zlomené kofajnice.
- Rozšírené kofajnice.

Navyše má vodiaca lišta na svojom hrote ozubené koleso (obr. R2). Ozubené koleso treba mazať raz za týždeň mazacou striekačkou, aby sa predĺžila životnosť vodiacej lišty. Pomocou mazacej striekačky týždenne premažte reťaz olejom cez mazací otvor (obr. R3). Otočte vodiacu lištu a skontrolujte, či sú mazacie otvory a drážka reťaze čisté.

R-1	Ozubené koliesko na hrote vodiacej lišty
R-2	Otvor na mazanie

PREPRAVA A SKLADOVANIE

- Reťazovú pílu neskladujte ani neprepravujte, ak je zapnutý motor. Pred skladovaním alebo prepravou vždy vyberte akumulátor.
- Pred skladovaním alebo prepravou reťazovej pily umiestnite na vodiacu lištu kryt. Nedotýkajte sa ostrých zubov reťaze.
- Výrobok vždy prenášajte za prednú rukoväť.
- Chráňte výrobok pred silnými nárazmi alebo silnými vibráciami, ktoré sa môžu vyskytnúť počas prepravy vo vozidlách.
- Pred uskladnením reťazovú pílu dôkladne vyčistite a vyprázdňte nádrž na olej. Skladujte reťazovú pílu v interiéri, na suchom mieste, ktoré je uzamknuté a/alebo mimo dosahu detí.
- Chráňte pred agresívnymi látkami, ako sú záhradné chemikálie a rozmrazovacie soli.

OCHRANA ŽIVOTNÉHO PROSTREDIA



Nevyhadzujte elektrické zariadenia, nabíjačku a použité akumulátory do domového odpadu!

Tento výrobok odneste na autorizované recyklačné miesto a poskytnite ho na separovaný zber. Elektrické náradie sa musí odovzdať do ekologického recyklačného zariadenia.

SK

ODSTRANOVANIE PORÚCH

⚠ VAROVANIE: Pri údržbe reťaze pily vždy používajte pevné rukavice, aby ste si chránili ruky. Pri údržbe alebo preprave reťazovej pily vždy vyťahnite akumulátor.

PROBLÉM	PRÍČINA	RIEŠENIE
Motor nebeží.	<ul style="list-style-type: none"> ■ Akumulátor nie je pripojený k reťazovej pile. ■ Žiadny elektrický kontakt medzi pilou a akumulátorom. ■ Akumulátor je vybitý. ■ Akumulátor alebo reťazová píla sú príliš horúce. ■ Pred stlačením spínača spúšte nie je stlačený uzamykací jazýček. ■ Brzda reťaze je aktívna. ■ Reťaz pily je zaseknutá v dreve. ■ Špina v drážke lišty. ■ Špina v bočnom kryte. ■ Používa sa akumulátor s kapacitou 4,0 Ah alebo vyššou. 	<ul style="list-style-type: none"> ■ Pripojte akumulátor k reťazovej pile. ■ Vyberte akumulátor, skontrolujte kontakty a akumulátor nainštalujte naspäť. ■ Nabite akumulátor. ■ Nechajte akumulátor alebo reťazovú pílu vychladnúť, kým teplota neklesne na odporúčaný rozsah prevádzkových teplôt. ■ Zatláčte uzamykací jazýček a podržte ho, potom stlačte spúšťač, aby ste zapli reťazovú pílu. ■ Potiahnite lopatku reťazovej brzdy smerom dozadu k prednej rukoväti do prevádzkovej polohy. ■ Uvoľnite vypínač; vyťahnite reťazovú pílu a vodiacu lištu z dreva, potom reťazovú pílu znovu zapnite. ■ Zatláčte reťazovú pílu proti drevu a zatrasťe pilou hore dolu, aby ste sa zbavili úlomkov. ■ Vyberte akumulátor, potom odstráňte bočný kryt a vyčistite špinu. ■ Používajte len s akumulátormi EGO BA1400 a BA1400T s kapacitou 2,5 Ah.
Reťazová píla sa počas prevádzky neočakávane zastaví.	<ul style="list-style-type: none"> ■ Reťazová píla je preťažená. ■ Akumulátor alebo reťazová píla sú príliš horúce. ■ Reťaz pily je zaseknutá v dreve. 	<ul style="list-style-type: none"> ■ Znížte zaťaženie. ■ Nechajte akumulátor alebo reťazovú pílu vychladnúť, kým teplota neklesne na odporúčaný rozsah prevádzkových teplôt. ■ Uvoľnite vypínač; vyťahnite reťazovú pílu a vodiacu lištu z dreva, potom reťazovú pílu znovu zapnite.
Motor beží, ale reťaz sa neotáča.	<ul style="list-style-type: none"> ■ Reťaz nezapadá do ozubeného kolesa. 	<ul style="list-style-type: none"> ■ Vyberte akumulátor, znovu nainštalujte reťaz a uistite sa, že vodiace články na reťazi zapadajú do ozubeného kolesa.
Brzda reťaze nezaberá.	<ul style="list-style-type: none"> ■ Nečistoty brániace plnému pohybu lopatky reťazovej brzdy. ■ Možná chyba brzdy reťaze. 	<ul style="list-style-type: none"> ■ Očistite špinu z vonkajšieho brzdového mechanizmu reťaze. ■ Okamžite prestaňte používať reťazovú pílu! Pre opravy kontaktujte zákaznicky servis EGO.

PROBLÉM	PRÍČINA	RIEŠENIE
Reťazová píla pili nedostatočne.	<ul style="list-style-type: none"> ■ Nedostatočné napnutie reťaze. ■ Tupá reťaz. ■ Reťaz je nainštalovaná naopak. ■ Opotrebovaná reťaz. ■ Suchá alebo príliš napnutá reťaz. ■ Reťaz nie je v drážke lišty. 	<ul style="list-style-type: none"> ■ Upravte dotiahnutie reťaze, postupujte podľa časti: „NASTAVENIE NAPNUTIA REŤAZE“. ■ Naostrite reťaz. ■ Znovu namontujte reťaz píly podľa kapitoly „MONTÁŽ/VÝMENA LIŠTY A REŤAZE“. ■ Vymeňte reťaz, postupujte podľa časti: „MONTÁŽ/VÝMENA LIŠTY A REŤAZE“. ■ Skontrolujte hladinu oleja. V prípade potreby doplňte olejovú nádrž. ■ Znovu nasadte reťaz, postupujte podľa časti: „MONTÁŽ/VÝMENA LIŠTY A REŤAZE“.
Reťaz sa pri bežnom používaní uvoľní alebo spadne z vodiacej lišty.	<ul style="list-style-type: none"> ■ Reťaz sa uvoľní, keď sa teplota reťaze zvýši počas normálnej prevádzky píly. ■ Reťaz nezapadá do ozubeného kolesa. 	<ul style="list-style-type: none"> ■ Napnite napnutie reťaze podľa kapitoly „NASTAVENIE NAPNUTIA REŤAZE“. ■ Znovu nasadte reťaz, postupujte podľa časti: „MONTÁŽ/VÝMENA LIŠTY A REŤAZE“.
Lišta a reťaz sú horúce a dymia.	<ul style="list-style-type: none"> ■ Skontrolujte, či nie je reťaz príliš napnutá. ■ Olejová nádrž reťaze je prázdna. ■ Špina v drážke vodiacej lišty. 	<ul style="list-style-type: none"> ■ Reťaz reťazovej píly znovu napnite podľa časti „NASTAVENIE NAPNUTIA REŤAZE“. ■ Naplňte nádrž mazivom na lišty a reťaze. ■ Zatláčajte reťazovú pílu proti drevu a zatrasťe pílu hore dolu, aby ste sa zbavili úlomkov.

SK

ZÁRUKA

ZÁRUČNÁ POLITIKA EGO

Úplné znenie záručných podmienok EGO nájdete na webovej stránke egopowerplus.eu.

OLVASSA EL AZ ÖSSZES UTASÍTÁST!



OLVASSA EL A HASZNÁLATI ÚTMUTATÓT

▲ FIGYELMEZTETÉS: A biztonságosság és megbízhatóság biztosítása érdekében minden javítást szakképzett szerviztechnikusnak kell elvégeznie.

▲ FIGYELMEZTETÉS: A szerszám használata előtt feltétlenül olvassa el és értse meg a jelen kezelési útmutatóban található valamennyi biztonsági utasítást, valamint a „VESZÉLY”, „FIGYELMEZTETÉS”, és „FIGYELEM” biztonsági figyelmeztető szimbólumokat is. Az alább felsorolt utasítások be nem tartása áramütést, tűzveszélyt és/vagy súlyos személyi sérülést idézhet elő.

ŐRIZZEN MEG MINDEN UTASÍTÁST ÉS FIGYELMEZTETÉST, HOGY KÉSŐBB IS ELŐ TUDJA MAJD VENNI.

BIZTONSÁGI SZIMBÓLUMOK

▲ FIGYELMEZTETÉS: Bármely kéziszerszám működtetése azzal járhat, hogy idegen tárgyak szembe kerülnek, ami súlyos szemsérüléseket okozhat. Az elektromos kéziszerszám működtetése előtt mindig vegyen fel oldalsó védőlemezrel ellátott védőszemüveget és a teljes védőárlarcot, ha szükséges. Javasoljuk, hogy viseljen Wide Vision Safety Mask-ot (védőárlarc) a védőszemüveg fölött vagy standard védőszemüveget oldalsó védőlemezrel.



Biztonsági figyelmeztetés



Viseljen szemvédőt



Viseljen fejdédőt



Láncvezető csúcs visszárúgása



Óvakodjon a láncfűrész visszárúgásától, és ügyeljen rá, hogy ne érjen hozzá a láncvezető csúcsához



Garantált hangteljesítményszint. Környezetre ható zajkibocsátás a Európai Közösség irányelve szerint.



A termék megfelel az érvényes EK irányelveknek.



Egyenáram

mm Milliméter

V Feszültség



A sérülések kockázatának csökkentése érdekében a használat előtt el kell olvasnia és meg kell értenie a használati útmutatót.



Viseljen fülvédőt



Viseljen védőkesztyűt



Mindig két kézzel használja a láncfűrész



Információ a láncvezetőről



Az elhasznált elektromos termékek nem helyezhetők a háztartási hulladékok közé. Vigye hivatalos újrahasznosító telephelyre.



Ez a termék megfelel az Egyesült Királyság hatályos jogszabályainak.

IPX4 Fröccsenő víz elleni védelem

n_b Üresjárat fordulat/szám

./perc Percenként

HU

JELLEMZŐK

Névleges feszültség	56 V	
Max. Lánc sebessége	20 m/s	
Lánc fogosztása	1/4" (6,4 mm)	
Lánc idom	1,1 mm	
Láncvezető hossza	300 mm	
Fűrészlánc modell	AC1204Q (Ajánlott)	
	AC1000Q (Kompatibilis)	
Láncvezető modell	AG1000Q (Kompatibilis)	
Fűrészlánc és rúdkészlet modell	AK1204Q (Ajánlott)	
Lánc olajtartály kapacitása	150 ml	
Súly (akkumulátor, fűrészlánc, vezető rúd, oldalsó burkolat, olaj és láncburkolat nélkül)	1,9 kg	
Javasolt üzemi hőmérséklet	-15°C-40°C	
Javasolt tárolási hőmérséklet	-20°C-70°C	
Javasolt töltési hőmérséklet	5°C-40°C	
Mért hangteljesítményszint L_{WA}	97 dB(A)	
	K=3,6 dB(A)	
Hangnyomásszint munkahelyzetben L_{PA}	89 dB(A)	
	K=3 dB(A)	
Garantált hangteljesítményszint L_{WA} (2000/14/EK szerint)	101 dB(A)	
Vibráció a_h	Elülső fogantyú	2,64 m/s ²
		K=1,5 m/s ²
	Hátsó fogantyú	2,05 m/s ²
		K=1,5 m/s ²

- A névleges rezgési összérték mérése standard bevizsgálási módszerrel történt, és használatával a szerszámok egymással összehasonlíthatók.
- A névleges rezgési összérték a kockázat előzetes felméréséhez is felhasználható.

MEGJEGYZÉS: A rezgés-kibocsátás az elektromos szerszám aktuális használata közben eltérhet attól a névleges értéktől, amellyel a szerszámot használják: a kezelő védelme érdekében a használatonak kesztyűt és hallásvédőt kell használnia működtetés közben.

A CSOMAG TARTALMA (A1 ÁBRA)

LEÍRÁS

ISMERJE MEG A LÁNCFŰRÉSZT (A1 ábra)

1. Láncvezető
2. Fűrészlánc
3. Lánc visszarúgás elleni féklapát
4. Hátsó fogantyú
5. Elülső fogantyú
6. Olajvizsgáló ablak
7. Olajtartály sapka
8. Rögzítőnyelv
9. Indítókapcsoló
10. Akkumulátor kioldógomb
11. Oldalsó burkolat
12. Láncvezető anya
13. Láncfeszítő csavar
14. Olajozó nyílás
15. Lánc tok
16. Szijakasztó
17. Kombináltfogó

ÖSSZESZERELÉS

LÁNCVEZETŐ ÉS LÁNC ÖSSZESZERELÉSE/CSERÉJE

⚠ FIGYELMEZTETÉS: Mielőtt bármilyen szerelést vagy karbantartást végezne, győződjön meg arról, hogy az akkumulátoregység el lett távolítva. E figyelmeztetés figyelmen kívül hagyása súlyos személyi sérülést okozhat.

⚠ FIGYELMEZTETÉS: Összeszerelés előtt állítsa a lánc visszarúgás elleni féklapátot a fékező állásba.

⚠ FIGYELMEZTETÉS: Mindig viseljen kesztyűt, amikor a láncvezetőt és a láncot kezeli; ezek a komponensek élesek, és forgácsokat tartalmazhatnak.

1. Helyezze a láncfűrész fejet oldalra, hogy az oldalsó burkolat felfelé nézzen (B ábra).
2. Távolítsa el az oldalsó burkolatot a rúdon található anya balra forgatásával.
3. Forgassa el a feszítőcsavart az óramutató járásával ellentétes irányba, hogy meglazítsa a láncfeszességet.
4. Helyezze a fűrészláncot hurok alakban sima felületre, és egyenesítse ki az esetleges megtöréseket (C ábra).
5. Helyezze a lánchajtó szemeket a láncvezetőre, és

HU

maradjon egy hurok a láncvezető hátulján (D ábra).

6. Tartsa pozícióban a láncot a láncvezetőn, és helyezze a hurkot a fűrész lánckeréke köré (E1 ábra).

D-1	Lánchajtó szem	E-2	Illesztő peremek
D-2	Láncvezető horony	E-3	Láncfeszítő csap
E-1	Hajtó lánckerék	E-4	Rögzítő csavar

MEGJEGYZÉS: Amikor a fűrészláncot a láncvezetőre hurkolja, győződjön meg arról, hogy a láncvezető fűrészre történő felszerelése után a vágó orientációja egyezik-e a házon lévő vágó ikonnal és forgásirány nyílal (E1 ábra). Ha ellentétes irányba néznek, szerelje vissza a fűrészláncot a láncvezetőre úgy, hogy a nyilak ugyanabba az irányba nézzenek (E2 ábra).

7. Helyezze a láncvezetőt a rögzítési felületre úgy, hogy a láncvezető nyílását az illesztő peremek fölé csúsztatja. Győződjön meg arról, hogy a láncvezető helyesen van elhelyezve a rögzítőcsavar és a feszítőcsap felett.
8. Helyezze vissza az oldalsó burkolatot a láncfűrészházra (E3 ábra), és húzza meg teljesen mindkét anyát a láncvezetőn.

MEGJEGYZÉS: A szerelés és karbantartás során a láncvezető alatt lévő fémlemez (F ábra) felpattanhat. Ha ez megtörténik, alaposan tisztítsa meg a részt a fémdarab és a ház között, és nyomja vissza a fémlemez anyáira, hogy **simán illeszkedjen a házhoz**. A fémlemez tisztításának és megfelelő elhelyezésének elmulasztása a láncvezető eltolódását okozza.

9. Forgassa el a láncot kézzel, hogy ellenőrizze, hogy a lánc megfelelően van-e összeszerelve, és nem tekeredett-e meg. Egyébként szerelje vissza a láncot és a láncvezetőt.

MEGJEGYZÉS: A láncvezető élettartamának meghosszabbítása érdekében alkalmanként fordítsa meg.

A LÁNC FESZESSÉG BEÁLLÍTÁSA

- Állítsa le a motort, és vegye le az akkumulátoregységet, mielőtt beállítja a lánc feszességet. A feszítőcsavart az óramutató járásával megegyező vagy ellentétes irányban elforgatva állítsa be a láncfeszességet (F ábra), amíg a lánc szorosan a láncvezetőhöz nem illeszkedik, és a lánchajtó szemek nem kerülnek a láncvezető hornyába.
- A hideg lánc akkor van megfelelően megfeszítve, ha nem laza a láncvezető alsó részén, és a lánc illeszkedik, de kézzel forgatni lehet akadály nélkül.

A láncot meg kell húzni, ha a lánchajtó szemek nem illeszkednek a láncvezetőre.

- A fűrész normál használata közben a lánc hőmérséklete megnő. A megfelelően megfeszített meleg lánc lánchajtó szemei körülbelül 1–2 mm-rel lógnak le a láncvezetőről (G ábra).

MEGJEGYZÉS: Az új láncok hajlamosak a nyúlásra; ellenőrizze a lánc feszességét, és a javasolt módon feszítse meg.

MEGJEGYZÉS: A lánc megfeszítése akkor, amikor meleg, túl szorossá válhat, amikor kihűlt. Ezért hidegen ellenőrizze a feszességet a következő használat előtt.

HASZNÁLAT

▲ FIGYELMEZTETÉS: Ügyeljen rá, nehogy a termékkel szerzett jártassága miatt óvatlanná váljon. Emlékezzon arra, hogy a másodperc töredéke alatt történő óvatlanság súlyos sérülést okozhat.

▲ FIGYELMEZTETÉS: Ne használjon a termék gyártója által nem javasolt tartozékokat. A nem javasolt tartozékok használata súlyos személyi sérüléseket okozhat.

▲ FIGYELMEZTETÉS: A véletlenszerű indítás elkerülése érdekében, amely súlyos személyi sérülést okozhat, mindig vegye ki az akkumulátoregységet a szerszámból, amikor összeszereli az alkatrészeket, beállításokat, tisztítást végez, vagy amikor nem használja.

Minden használat előtt ellenőrizze a teljes termék sérülései, hiányzó vagy laza alkatrészek, pl. csavarok, anyák, alátétek, sapkák stb. szempontjából. Biztonságosan húzzon meg minden rögzítőt és sapkát, és ne használja a terméket addig, amíg a sérült vagy hiányzó alkatrészeket ki nem cserélték.

ALKALMAZÁSOK

Ezt a terméket alapvető, fán belüli vágási alkalmazásokhoz használhatja.

▲ FIGYELMEZTETÉS: Csak akkor használja ezt a láncfűrész fát, ha külön képzésben részesült ennek elvégzéséhez. Ha a láncfűrész megfelelő képzés nélkül használja fát, növelheti a súlyos személyi sérülések kockázatát.

MEGJEGYZÉS: A szerszámot kizárólag a meghatározott célokra használja. Bármilyen más használat helytelen használatnak minősül.

LÁNCVEZETŐ ÉS LÁNC KENŐANYAG

▲ FIGYELMEZTETÉS: Ne dohányozzon, és ne

legyen tűz vagy láng a láncfűrész közelében. Az olaj kifröccsenhet, és tüzet okozhat.

MEGJEGYZÉS: A láncfűrész a vásárláskor nincs feltöltve olajjal. Használat előtt fel kell tölteni a tartályt olajjal. Működés közben a lánc kenése láncolajjal automatikusan történik, ha elegendő olaj van a tartályban.

1. Helyezze a láncfűrész az oldalára úgy, hogy a tartálysapka felfelé nézzen.
2. Ellenőrizze az olajtartály sapkát és a körülötte lévő területet, nehogy szennyeződés kerüljön az olajtartályba.
3. Emelje fel a félkör alakú lemezt, és az óramutató járásával ellentétes irányban elforgatva vegye le az olajtartály sapkáját (H ábra).
4. Óvatosan öntse be a láncvezető- és láncolajat a tartályba. Tölts fel a betöltőnyak aljágjára.
5. A felesleges olajat törölje le, és helyezze vissza a sapkát.

MEGJEGYZÉS: Gyakran ellenőrizze az olajsintet, és töltsön utána olajat, ha az olajsint a minimum vonal alá csökken. Soha ne használja a láncfűrész, ha nem látható olaj.

A SZÍJ FŰZŐLYUK HASZNÁLATA (H ábra)

⚠ FIGYELMEZTETÉS: Mindig takarja le a láncfűrész láncát és vezetőjét láncvédővel, amikor a láncfűrész szerszámtartóra akasztja. A fűrészlánc éles, és súlyos sérüléseket okozhat.

⚠ FIGYELMEZTETÉS: Győződjön meg róla, hogy a szíj elég stabil ahhoz, hogy elbírja a láncfűrész és az akkumulátoregység együttes súlyát. Súlyos sérülések és vagyoni kár keletkezhet, ha a láncfűrész leesik.

AZ AKKUMULÁTOREGYSÉG BERAKÁSA/KIVÉTELE

Csak az A2 ábrán felsorolt EGO akkumulátor-egységeket és töltőket használja.

Az első használat előtt teljesen tölts fel.

Csatlakoztatás

Illessze az akkumulátor bordázatát az akkumulátorban lévő szerelőnyílásokhoz, és nyomja le az akkumulátoregységet, amíg kattantást nem hall (I ábra).

Leválasztás

Oldja ki az akkumulátor kioldógombot, és húzza ki az akkumulátoregységet (J ábra).

⚠ FIGYELMEZTETÉS: A vágás során a kényelmes egyensúly fenntartásához kérjük, csak a BA1400/BA1400T akkumulátort használja.

A LÁNCFŰRÉSZ INDÍTÁSA/LEÁLLÍTÁSA

MEGJEGYZÉS: A láncfűrész elindítása előtt ellenőrizze az olajsintet, a láncfeszességet, a fűrészfogak élességét és a visszarúgás elleni féklapát megfelelő működését. Ezenfelül vegyen fel kiegyensúlyozott testhelyzetet és kellő távolságot a talajhoz.

Indítás (K ábra)

1. Húzza a visszarúgás elleni féklapátot az első fogantyú felé, hogy működési helyzetben legyen (K ábra).
2. Az elülső fogantyút mindig a **bal** kezével, a hátsót pedig a **jobb** kezével fogja meg erősen.

⚠ FIGYELMEZTETÉS: A sérülések elkerülése érdekében a láncfűrész mindig úgy használja, hogy a jobb keze a hátsó fogantyú fogási területét fogja meg (L ábra).

3. Mozgassa előre a reteszelő nyelvet, majd nyomja meg az indítókapcsolót a fűrész indításhoz (L ábra).

L-1	Fogási terület
-----	----------------

4. Oldja ki a reteszelő nyelvet, és nyomja tovább az indítókapcsolót a folyamatos működéshez.
5. Minél tovább nyomja a kioldó kapcsolót, annál nagyobb lesz a láncsebesség. A sebességet az aktuális feladat elvégzésének megfelelően állítsa be.

⚠ FIGYELMEZTETÉS: Ne próbálja meg elindítani a láncfűrész, ha a fűrészlánc bevágásban van.

Leállítás

1. Vigye távolabb a láncfűrész a vágási területtől, majd engedje el a kioldó kapcsolót a láncfűrész leállításához.
2. A láncfék lefékezéséhez tolja előre a visszarúgás elleni féklapátot a fékezési pozícióhoz (K ábra).

⚠ FIGYELMEZTETÉS: Mindig vegye ki az akkumulátoregységet a gépből, ha szünetet tart a munkában, vagy befejezte a munkát.

A FOGANTYÚK HELYES MEGFOGÁSA (M ábra)

- Viseljen csúszásgátló kesztyűt a legjobb fogás és védelem érdekében.
- A láncfűrész legyen szilárd, sima felületen, és erősen fogja meg a láncfűrész két kézzel.
- Az elülső fogantyút mindig a bal kezével, a hátsót pedig a jobb kezével fogja.
- Az ujjai fogják körbe a fogantyút, a hüvelykujja az első fogantyú alatt legyen.

⚠ FIGYELMEZTETÉS: Soha ne használjon balkezes fogást (fordított fogás), és ne vegyen fel olyan

testhelyzetet, amelyben láncfűrész a teste vagy a karja vonalában van.

FIGYELMEZTETÉS: Ne működtesse a sebességszabályozó kapcsolót a bal kezével, és miközben az elülső fogantyút a jobb kezével tartja. Soha ne engedje, hogy bármely testrésze egy vonalban legyen a láncsal, amikor működteti a láncfűrész (N ábra).

MEGFELELŐ VÁGÁSI TESTTARTÁS (O ábra)

- Mindkét lába legyen szilárd talajon, és a testsúly egyenletesen legyen a kettő között elosztva.
- A bal karja legyen egyenes, a könyöke kinyújtva. Ez segít ellenállni a visszarúgás által generált erőknél.
- A teste mindig legyen a láncfűrész vonalának bal oldalán.

ÁLTALÁNOS VÁGÁSI TECHNIKÁK

FIGYELMEZTETÉS: Mindig legyen biztos a testhelyzete, és a láncfűrész erősen tartsa két kézzel, amikor jár a motor.

FIGYELMEZTETÉS: Amikor a fűrészlánc vágás közben becsípődés miatt leáll, akkor engedje le a szabályozó kapcsolót; vegye le a fűrészláncot és a láncvezetőt a fáról, majd indítsa újra a láncfűrész.

FIGYELMEZTETÉS: Ne húzza a fűrészláncot kézzel, ha beakad a fűrészpor miatt. Ha a láncfűrész véletlenül elindul, súlyos sérülést okozhat. Nyomja rá a fűrészláncot a fára, mozgassa a láncfűrész előre és hátra, hogy megszabadítsa a szennyeződéstől. Tisztítás előtt mindig vegye ki az akkumulátoregységét. Viseljen védőkesztyűt, amikor a fűrészláncot kezeli.

FIGYELMEZTETÉS: Soha ne indítsa el a láncfűrész, amikor a fához ér. A láncfűrész mindig érje el a teljes sebességet, mielőtt a láncfűrész a fához érinti.

FIGYELMEZTETÉS: Ez a felső fogantyús láncfűrész nem arra készült, hogy a földön használják, ezért ez a kézikönyv nem tartalmaz utasításokat fák kivágására, ágvágásra és fák darabolására.

FIGYELMEZTETÉS: Ez az útmutató erre a felső fogantyús láncfűrészre vonatkozik, amelyet kizárólag fán belüli vágási alkalmazásokhoz terveztek, és megfelelő szakmai képzésben részesülő szakemberek használhatják az eszközt.

FIGYELMEZTETÉS: A rönkönkénti visszavágás sérülést okozhat. Csak egy képzett személy végezheti el.

FIGYELMEZTETÉS: Az eszközt első alkalommal használó személyek gyakorolják a rönkök vágását egy fűrészbakon vagy rönktartó állványon.

FIGYELMEZTETÉS: Ne dolgozzon fákban erős szélviszonyok között.

FIGYELMEZTETÉS: Biztosítsa, hogy minden járókelő távol legyen a fadólési területtől a művelet megkezdése előtt.

FIGYELMEZTETÉS: Mindig tartsa magát és a felszerelését távol az eltávolítandó anyagtól.

VIGYÁZAT: Győződjön meg róla, hogy az akkumulátor teljesen fel van töltve, mielőtt fában dolgozik.

Gallyzás (P ábra)

Kövesse a lent leírt lépéseket, nehogy megsérüljön a fa vagy bokor kérge. A fűrészeléset ne előre-hátra mozgatva végezze.

1. Először végezzen enyhe vágást (az ág átmérőjének 1/3-éig) az ág külső oldalán, a fő ághoz vagy törzshöz közel.
2. Végezzen második vágást az ág felső oldalán az első vágáson kívül. Folytassa a vágást az ágon, amíg az ág le nem válik a fáról. Készüljön fel az eszköz súlyának kiegyensúlyozására, és feltétlenül álljon megfelelő távolságban tőle, mielőtt befejezné a vágást.
3. Végezzen végső vágást a törzs közelében.

Visszavágás rönkönként

Rönkönként végzett visszavágás előtt távolítsa el a laza kergét, a szögeket, a tűzőkapcsokat és a drótokat a fáról, ahol a vágásokat el kell végezni.

Alsó bevágás

A dőlésirányra merőlegesen készítsen a fa átmérőjének 1/4-ig bevágást, ahogy a Q ábrán látható. Először az alsó vízszintes bevágást készítse el. Ezzel segít megakadályozni a fűrészlánc vagy a láncvezető beszorulását a második bevágás készítésekor.

Q-1	Dőlésirány	Q-3	Visszavágás
Q-2	Bevágás	Q-4	Rönktámasz

Visszavágás

- A visszavágást állítsa ugyanarra a magasságra, mint a vízszintes bemetszést, ahogyan azt a Q ábra mutatja. Tartsa a visszavágást a vízszintes bevágással párhuzamosan. Úgy készítse el a visszavágást, hogy elegendő fa maradjon, amely rönktámaszként tud működni. A rönktámasz megakadályozza, hogy a fa rossz irányba tekeredjen vagy dőljön. Ne vágja át a rönktámaszt.

- Ahogy a vágás közeledik a csuklóhoz, a fa dőlni kezd. Amennyiben bármilyen esélye van annak, hogy a fa nem a kívánt irányba fog dőlni, vagy visszapatlanhat, és beakaszthatja a fűrészláncot, állítsa le a vágást a visszavágás befejeződése előtt, és fa, műanyag vagy alumínium ékkel nyissa meg a vágást, és engedje a fát a kívánt dőlési vonalra dőlni.
- Amikor a faék elkezd dőlni, távolítsa el a láncfűrész a vágásból, állítsa le a motort, és működtesse a láncféket. Álljon készen arra, hogy a feje feletti ágak leesnek, és ügyeljen a stabil álló helyzetre.

KARBANTARTÁS

▲ FIGYELMEZTETÉS: Javításkor használjon azonos pótalkatrészeket. Bármilyen más alkatrész használata veszélyt okozhat, vagy megrongálhatja a terméket. A biztonságosság és megbízhatóság biztosítása érdekében minden javítást szakképzett szerviztechnikusnak kell elvégeznie.

▲ FIGYELMEZTETÉS: A súlyos személyi sérülések elkerülése érdekében vegye ki az akkumulátoregységet a láncfűrészből ellenőrzés, tisztítás vagy karbantartás előtt. Az akkumulátorral működtetett szerszám mindig be van kapcsolva, ha az akkumulátor be van helyezve, és bármikor elindulhat véletlenszerűen.

▲ FIGYELMEZTETÉS: A láncfűrész tisztításkor NE merítse vízbe vagy más folyadékokba.

▲ FIGYELMEZTETÉS: Fékolaj, üzemanyag, petróleum alapú termékek, behatoló olajok stb. soha ne érintkezzenek a műanyag alkatrészekkel. A vegyszerek megrongálhatják, gyengíthetik vagy megsemmisíthetik a műanyagot, ami súlyos személyi sérülést okozhat.

TISZTÍTÁS

- Minden használat után tisztítsa le a szennyeződést a láncról és a láncvezetőről egy puha kefével. Törölje le a láncfűrész felületét egy tiszta, kimélő szappanos oldattal megnedvesített ruhával.
- Vegye le az oldalsó burkolatot, majd egy puha kefével távolítsa el a szennyeződések a láncvezetőről, fűrészláncról, a lánckerékről és az oldalsó burkolatról.
- Mindig tisztítsa le a faforgácsokat, fűrészport és szennyeződést a láncvezető burkolatról, amikor kicseréli a fűrészláncot.

A LÁNCVEZETŐ KARBANTARTÁSA

Ha a láncvezető kopás jeleit mutatja, akkor szerelje le a láncfűrész fejről, és a visszaszereléshez fordítsa meg (R1 ábra). Ebben az esetben a láncvezető kopása megszűnik a maximális élettartam érdekében.

A láncvezetőt minden nap meg kell tisztítani, és ellenőrizni kell sérülések és kopás szempontjából. A láncvezető hornyok élezése és csiszolása normál folyamat a láncvezető kopása esetén. Az ilyen hibákat akkor kell lecsiszolni egy reszelővel, amikor jelentkeznek. A láncvezetőt a következő hibák esetén ki kell cserélni.

- Kopás a láncvezető síneken, ami lehetővé teszi, hogy a lánc az oldalára fekdődjön.
- Elgömbült láncvezető.
- Megrepedt vagy törött sínek.
- Szétnyílt sínek.

Ezenkívül a láncvezető végén egy lánckerékkel is rendelkezik (R2 ábra). A lánckeréket hetente be kell kenni zsírozó fecskendővel a láncvezető élettartamának meghosszabbítása érdekében. Használjon zsírozó fecskendőt, amikor hetente bekeni láncolajjal az olajozó nyílás segítségével (R3 ábra). Fordítsa át a láncvezetőt, és ellenőrizze, hogy az olajozó nyílások és a láncvezető szennyezettek-e.

R-1	Lánckerék a láncvezető hegyben
R-2	Olajozó nyílás

SZÁLLÍTÁS ÉS TÁROLÁS

- Működés közben ne szállítsa a láncfűrész. Tárolás vagy szállítás előtt mindig vegye ki az akkumulátoregységet.
- Mindig helyezze a láncot a láncvezetőre, mielőtt elteszi vagy szállítja a láncfűrész. Legyen elővigyázatos, ne érjen a lánc éles fogaihoz.
- Mindig az első fogantyújánál fogva hordozza a terméket.
- Óvja a terméket minden erős ütéstől és rázkódtástól, ami a járművel való szállítás során előfordulhat.
- Tisztítsa meg alaposan a láncfűrész, és ürítse ki az olajtartályt tárolás előtt. A láncfűrész beltéren, olyan száraz helyen tárolja, amely le van zárva, és/vagy amelyhez gyermekek nem tudnak hozzáférni.
- Tartsa távol maró hatású szerek, például kerti vegyszerektől, és jégmentesítő sótól.

KÖRNYEZETVÉDELEM



Ne dobja az elektromos felszerelést, az elhasznált akkumulátort és a töltőt a háztartási hulladékok közé!

Vigye hivatalos újrahasznosító telephelyre, és tegye hozzáférhetővé a szelektív gyűjtéshez. Az elektromos eszközöket megfelelő környezetbarát újrahasznosító üzembe kell vinni.

HIBAELHÁRÍTÁS

▲ FIGYELMEZTETÉS: Mindig védje a kezét védőkesztyűvel, amikor karbantartást végez a fűrészláncon. Mindig vegye ki az akkumulátoregységet a láncfűrész szervizelése vagy szállítása közben.

PROBLÉMA	OK	MEGOLDÁS
Nem jár a motor.	<ul style="list-style-type: none"> ■ Az akkumulátoregység nincs csatlakoztatva a láncfűrészhez. ■ Nincs elektromos kapcsolat a láncfűrész és az akkumulátoregység között. ■ Az akkumulátoregység lemerült. ■ Az akkumulátoregység vagy láncfűrész túl forró. ■ Nem nyomta meg a reteszelő nyelvet, mielőtt megnyomja az indítókapcsolót. ■ A láncfék be van kapcsolva. ■ A fűrészlánc beakadt a fába. ■ Szennyeződés van a láncvezetőn. ■ Szennyeződés van az oldalsó burkolaton. ■ 4,0 Ah vagy annál nagyobb Ah akkumulátoregység használatos. 	<ul style="list-style-type: none"> ■ Csatlakoztassa az akkumulátoregységet a láncfűrészhez. ■ Vegye ki az akkumulátoregységet, ellenőrizze a csatlakozásokat, és helyezze vissza az akkumulátoregységet. ■ Töltse fel az akkumulátoregységet. ■ Hagyja hűlni az akkumulátoregységet vagy a láncfűrészét, amíg a hőmérséklete a javasolt üzemi hőmérséklet-tartományba nem süllyed. ■ Nyomja meg és tartsa lenyomva a reteszelő nyelvet, majd engedje fel az indítókapcsolót a láncfűrész bekapcsolásához. ■ Húzza hátrafelé a visszarúgás elleni féklapátot az első fogantyú felé, hogy működési helyzetbe kerüljön. ■ Engedje el a ravasz; vegye le a láncfűrész és a láncvezetőt a fáról, majd indítsa újra a láncfűrészét. ■ Nyomja rá a fűrészláncot a fára, mozgassa a láncfűrészét előre és hátra, hogy megszabadítsa a szennyeződéstől. ■ Vegye ki az akkumulátoregységet, majd vegye le az oldalsó burkolatot, és tisztítsa meg a szennyeződéstől. ■ Csak EGO 2.5 Ah típusú BA1400 és BA1400T akkumulátoregységekkel.
A láncfűrész váratlanul leáll működés közben.	<ul style="list-style-type: none"> ■ A láncfűrész túlterhelt. ■ Az akkumulátoregység vagy láncfűrész túl forró. ■ A fűrészlánc beakadt a fába. 	<ul style="list-style-type: none"> ■ Csökkentse a terhelést. ■ Hagyja hűlni az akkumulátoregységet vagy a láncfűrészét, amíg a hőmérséklete a javasolt üzemi hőmérséklet-tartományba nem süllyed. ■ Engedje el a ravasz; vegye le a láncfűrész és a láncvezetőt a fáról, majd indítsa újra a láncfűrészét.
A motor jár, de a lánc nem forog.	<ul style="list-style-type: none"> ■ A lánc nem illeszkedik a lánckerékre. 	<ul style="list-style-type: none"> ■ Vegye ki az akkumulátoregységet, és tegye vissza a láncot, és győződjön meg arról, hogy a lánc lánchajtó szemei teljesen a lánckeréken vannak-e.

PROBLÉMA	OK	MEGOLDÁS
A láncfék nem kapcsolódik be.	<ul style="list-style-type: none"> ■ A szennyeződés megakadályozza a visszarúgás elleni féklapát teljes mozgását. ■ A láncfék esetleg meghibásodott. 	<ul style="list-style-type: none"> ■ Tisztítsa meg a szennyeződésektől a külső láncfék mechanizmust. ■ Azonnal hagyja abba a láncfűrész használatát! A javításhoz forduljon az EGO ügyfélszolgálatához.
A láncfűrész nem megfelelően vág.	<ul style="list-style-type: none"> ■ Nem megfelelő láncfeszesség. ■ Tompa a lánc. ■ A lánc fordítva van felszerelve. ■ Elkopott a lánc. ■ Száraz vagy túlságosan megnyúlt a lánc. ■ A lánc nincs a láncvezetőn. 	<ul style="list-style-type: none"> ■ Állítsa be a láncfeszességet a következő fejezet szerint: „A LÁNCFESZESSÉG BEÁLLÍTÁSA”. ■ Élezze meg a láncot. ■ Helyezze vissza a fűrészláncot a „LÁNCVEZETŐ ÉS LÁNC BESZERELÉSE/CSERÉJE” fejezetben leírt módon. ■ Helyezze vissza a láncot a következő fejezet szerint: „A LÁNCVEZETŐ ÉS A LÁNC BESZERELÉSE/CSERÉJE”. ■ Ellenőrizze az olajsintet. Töltse fel az olajtartályt, ha szükséges. ■ Helyezze vissza a fűrészláncot a következő fejezet szerint: „A LÁNCVEZETŐ ÉS A LÁNC BESZERELÉSE/CSERÉJE”.
A lánc a normál használat során meglazul vagy leesik a láncvezetőről.	<ul style="list-style-type: none"> ■ Normál fűrészelés közben a lánc a hőmérséklet növekedés hatására meglazul. ■ A lánc nem illeszkedik a lánckerékre. 	<ul style="list-style-type: none"> ■ A lánc feszességének beállításához lásd „A LÁNCFESZESSÉG BEÁLLÍTÁSA” c. fejezetet. ■ Helyezze vissza a fűrészláncot a következő fejezet szerint: „A LÁNCVEZETŐ ÉS A LÁNC BESZERELÉSE/CSERÉJE”.
A láncvezető és a lánc forró és füstöl.	<ul style="list-style-type: none"> ■ Ellenőrizze, hogy nem túl feszes-e a láncfeszesség. ■ A lánc olajtartály üres. ■ Szennyeződés van a láncvezetőn. 	<ul style="list-style-type: none"> ■ A lánc feszességének beállításához lásd a „LÁNC FESZESSÉGÉNEK BEÁLLÍTÁSA” c. fejezetet. ■ Töltse fel a tartályt rúd- és lánckenő olajjal. ■ Nyomja rá a fűrészláncot a fára, mozgassa a láncfűrész elöre és hátra, hogy megszabadítsa a szennyeződéstől.

GARANCIA

EGO GARANCIÁLIS FELTÉTELEK

Kérjük, látogasson el az egopowerplus.eu oldalra, ahol megtalálja a részletes EGO garanciális feltételeket.

CITIȚI TOATE INSTRUCȚIUNILE!



CITIȚI MANUALUL DE INSTRUCȚIUNI

⚠️ AVERTISMENT: Pentru siguranța și fiabilitatea produsului, toate reparațiile trebuie efectuate de către un tehnician de service autorizat.

⚠️ AVERTISMENT: Asigurați-vă că ați citit și înțelegiți toate instrucțiunile privind siguranța din acest Manual de utilizare, inclusiv toate simbolurile de alertă privind siguranța precum “PERICOL”, “AVERTIZARE” și “ATENȚIE” înainte de a utiliza această sculă. Nerespectarea tuturor instrucțiunilor enumerate mai jos poate duce la electrocutare, incendiu și/sau vătămări corporale grave.

PĂSTRĂȚI TOATE AVERTISMENTE ȘI INSTRUCȚIUNILE PENTRU CONSULTARE ULTERIOARĂ.

SIMBOLURI PRIVIND SIGURANȚA

⚠️ AVERTISMENT: Exploatarea oricărei mașini se poate solda cu ricoșarea de obiecte străine în ochii dumneavoastră, ceea ce se poate solda cu vătămarea gravă a ochilor. Înainte de a începe să utilizați scula electrică, echipați-vă întotdeauna cu ochelari de protecție cu apărători laterali și vizieră pentru față, atunci când este nevoie. Vă recomandăm să purtați o vizieră lată de protecție peste ochelarii de vedere sau ochelari de protecție standard cu apărători laterali.



Alertă privind siguranța



Pentru a reduce riscul de vătămare, utilizatorul trebuie să citească și să înțeleagă manualul de instrucțiuni înainte de a utiliza acest produs.



Purtați echipament de protecție oculară



Purtați echipament de protecție auditivă



Purtați echipament de protecție pentru cap



Purtați mănuși de protecție



Recul vârf șină de ghidare



Folosiți întotdeauna ferăstrăul cu lanț cu două mâini



Aveți grijă la reculul ferăstrău cu lanț și evitați contactul cu vârful șinei



Informația privind șina de ghidare



Nivel de putere acustică garantat. Emisii sonore în mediul înconjurător conform Directivei comunitare europene.



Deșeurile produselor electrice nu trebuie să fie eliminate împreună cu deșeurile menajere. Predați-le unui punct de reciclare autorizat.



Acest produs este în conformitate cu directivele europene aplicabile.



Acest produs este în conformitate cu legislația aplicabilă din Marea Britanie.



Curent continuu

IPX4

Protecție împotriva stropilor de apă

mm Milimetru

n_b Turație de mers în gol

V Tensiune

./min Pe minut

SPECIFICAȚII

Tensiune nominală	56V	
Max. Viteza Lanțului	20 m/s	
Pasul lanțului	1/4" (6.4 mm)	
Adâncime dinte lanț	1.1mm	
Lungime șină de ghidare	300 mm	
Modelul lanțului de ferăstrău	AC1204Q (recomandat)	
	AC1000Q (compatibil)	
Capacul șinei de ghidare	AG1000Q (compatibil)	
Kit lanț și model șina de ferăstrău	AK1204Q (recomandat)	
Capacitate rezervor de ulei de lanț	150 ml	
Greutate (fără acumulator, lanț de ferăstrău, șina de ghidare, capac lateral, ulei și teacă de lanț)	1,9 kg	
Temperatură de funcționare recomandată	-15°C-40°C	
Temperatură de depozitare recomandată	-20°C-70°C	
Temperatura de încărcare recomandată	5°C-40°C	
Nivel de putere sonoră măsurată L_{WA}	97 dB(A) K=3.6 dB(A)	
Nivel de presiune sonoră în poziția operatorului L_{PA}	89 dB(A) K=3 dB(A)	
Nivel de putere sonoră garantată L_{WA} (conform directivei 2000/14/CE)	101 dB(A)	
Vibrații a_n	Mâner frontal	2,64 m/s ² K=1,5 m/s ²
	Mâner posterior	2,05 m/s ² K=1,5 m/s ²

- Valoarea totală declarată a vibrațiilor a fost măsurată în conformitate cu o metodă standard de testare și poate fi utilizată pentru compararea sculelor între ele;
- Valoarea totală declarată poate fi utilizată în evaluarea preliminară a expunerii.

OBSERVAȚIE: Vibrațiile emise în timpul utilizării efective a sculei electrice pot diferi față de valoarea celor declarate pentru scula utilizată; Pentru protejerea operatorului, utilizatorul trebuie să poarte mănuși și protecții auditive în timpul utilizării efective a produsului.

LISTA COMPONENTELOR (FIG. A1)

DESCRIEREA

DESCRIEREA FERĂSTRĂULUI DUMNEAVOASTRĂ CU LANȚ (Fig. A1)

- Șină de ghidare
- Lanț de ferăstrău
- Pedală de frână pentru reculul lanțului
- Mâner posterior
- Mâner frontal
- Fereastră de inspecție a uleiului
- Capac rezervor de ulei
- Manetă de blocare
- Trăgaci declanșator
- Buton de eliberare a acumulatorului
- Capac lateral
- Piuliță pentru șină
- Șurub de tensionare a lanțului
- Orificiu de lubrifiere
- Teacă pentru lanț
- Agățător pentru șnur
- Cheie combinată

ASAMBLARE

ASAMBLAREA/ÎNLOCUIREA ȘINEI DE GHIDARE ȘI A LANȚULUI

⚠️ AVERTISMENT: Înainte de a efectua orice asamblare sau întreținere, asigurați-vă că pachetul de baterii este scos. Nerespectarea acestui avertisment poate avea ca rezultat vătămări corporale grave.

⚠️ AVERTISMENT: Reglați paleta frânei pentru reculul lanțului în poziția de frânare, înainte de asamblare.

⚠️ AVERTISMENT: Întotdeauna purtați mănuși când manevrați șina de ghidare și lanțul; aceste componente sunt ascuțite și pot prezenta bavuri.

- Poziționați blocul motor al ferăstrăului cu lanț pe o parte cu capacul lateral îndreptat în sus (Fig. B).
- Îndepărtați capacul lateral prin rotirea piuliței șinei în sensul invers acelor de ceasornic.
- Rotiți șurubul de tensionare în sens invers acelor de ceasornic pentru a slăbi tensiunea lanțului.
- Așezați lanțul de ferăstrău într-o buclă pe o suprafață dreaptă și îndreptați orice răsuciri (Fig. C).

RO

- Amplasați verigile conductoare ale lanțului pe canelura șinei de ghidare și așezați lanțul pe șină, de-a lungul ei (Fig. D).
- Mențineți lanțul poziționat pe șina de ghidare și amplasați bucla lanțului în jurul roții de lanț a ferăstrăului cu tijă (Fig. E1).

D-1	Verigă de transmisie lanț	E-2	Flanșe de aliniere
D-2	Canelură șină de ghidare	E-3	Știft de tensionare a lanțului
E-1	Pinion de conducere	E-4	Șurub de fixare

OBSERVAȚIE: Atunci când înfășurați lanțul ferăstrăului pe șina de ghidare, asigurați-vă că, după montarea șinei de ghidare pe ferăstrău, se potrivește cu modelul de tăiere și săgeata direcției de rotație de pe carcasă a ferăstrăului (Fig. E1). Dacă sunt în direcții opuse, reasamblați lanțul de ferăstrău pe șina de ghidare cu u tășurile orientate în aceeași direcție (Fig. E2).

- Așezați șina de ghidare pe suprafața de montare prin glisarea fantei șinei de ghidare peste flanșele de aliniere. Asigurați-vă că șina de ghidare este poziționată corect peste șurubul de fixare și știftul de tensionare.
- Înlocuiți capacul lateral pe carcasa ferăstrăului cu lanț (Fig. E3) și strângeți complet piulița șinei.

RO

OBSERVAȚIE: În timpul asamblării și întreținerii, placa metalică de sub șina de ghidare (Fig. F) se poate ridica. Dacă se întâmplă acest lucru, curățați bine spațiul dintre această piesă metalică și carcasa și împingeți placa metalică înapoi, astfel încât să fie **la același nivel cu carcasa**. Dacă placa metalică nu este curățată și așezată corect, șina de ghidare nu se va alinea.

- Rotiți lanțul manual pentru a verifica dacă lanțul este asamblat corect fără legare. În caz contrar, reasamblați lanțul și șina.

OBSERVAȚIE: Pentru a prelungi durata de viață a șinei de ghidare, din când în când inverșați șina.

REGLAREA TENSIONĂRII LANȚULUI

- Înainte de a regla tensiunea lanțului, opriți motorul și îndepărtați setul de acumulatori. Rotiți șurubul de tensionare a lanțului în sensul acelor de ceasornic sau în sens invers pentru a regla tensiunea lanțului (Fig. F) până când lanțul se așează perfect pe șina de ghidare, cu verigile de transmisie în canelura șinei de ghidare.
- Un lanț rece este tensionat corect când nu atârna în

partea inferioară a șinei de ghidare, iar lanțul este tensionat, dar poate fi deplasat cu mâna fără să se întepenească. Lanțul trebuie retensionat de fiecare dată când plăcuțele de pe verigile de transmisie nu stau așezate în canelura șinei.

- În timpul operației de tăiere, temperatura lanțului va crește. Verigile de transmisie a unui lanț cald tensionat corect vor atârna la aproximativ 1-2 mm în afara canelurii șinei (Fig. G).

OBSERVAȚIE: Lanțurile noi au tendința să se întindă; verificați frecvent tensiunea lanțului și tensionați în funcție de cum este nevoie.

OBSERVAȚIE: Un lanț tensionat cât timp este cald poate fi prea tensionat când este răcit. Verificați tensiunea la rece înaintea următoarei utilizări.

FUNCȚIONARE

⚠️ AVERTISMENT: Nu permiteți ca familiarizarea cu acest produs să vă determine să fiți neatent. Amintiți-vă că o fracțiune de secundă de neatenție este suficientă pentru a provoca vătămări grave.

⚠️ AVERTISMENT: Nu utilizați nicio componentă sau accesoriu care nu a fost recomandat de producătorul acestui produs. Utilizarea de accesorii nerecomandate se poate solda cu vătămări grave.

⚠️ AVERTISMENT: Pentru a preveni pornirea accidentală care ar putea cauza vătămări personale grave, întotdeauna scoateți setul de acumulatori din sculă când asamblați componente, efectuați reglaje sau când produsul nu este utilizat.

Înainte fiecărei utilizări, inspectați întregul produs pentru depistarea defectelor, componentelor lipsă sau slăbite precum șuruburi, piulițe, bolțuri, capace etc. Strângeți bine toate elementele de prindere și capacele și nu utilizați acest produs dacă piesele lipsă sau defecte nu sunt înlocuite.

APLICAȚII

Puteți utiliza acest produs pentru aplicații de bază de tăiere în copac.

⚠️ AVERTISMENT: Nu folosiți acest ferăstrău cu lanț într-un copac decât dacă ați fost instruit în mod specific în acest sens. Utilizarea unui ferăstrău cu lanț într-un copac fără o pregătire corespunzătoare poate crește riscul de vătămare corporală gravă.

OBSERVAȚIE: Mașina trebuie utilizată numai în scopul pentru care a fost proiectată. Orice altă utilizare este considerată a fi caz de utilizare necorespunzătoare.

UMPLEREA CU LUBRICANT DE ȘINĂ ȘI DE LANȚ

⚠️ AVERTISMENT: Nu fumați și nu aduceți în apropierea uleiului sau a ferăstrăului cu lanț surse de foc sau flăcări. Uleiul se poate deversa și cauza un incendiu.

OBSERVAȚIE: În momentul cumpărării, ferăstrăul cu lanț nu este umplut cu ulei. Este esențial să umpleți rezervorul cu ulei înainte de utilizare. Lanțul este lubrifiat automat cu ulei de lanț în timpul funcționării, dacă există suficient ulei în rezervor.

1. Poziționați ferăstrăul cu lanț pe partea cu u capacul rezervorului orientat în sus.
2. Curățați capacul rezervorului de ulei și zona din jurul acestuia pentru a vă asigura că nu cade murdărie în rezervorul de ulei.
3. Ridicați placa semicirculară și rotiți capacul rezervorului de ulei în sens invers acelor de ceasornic pentru al scoate (Fig. H).
4. Se toamnă cu atenție ulei pentru șina și lanț în rezervor. Umpleți până la partea de jos a găutului de umplere.
5. Ștergeți uleiul în exces și repuneți capacul la loc.

OBSERVAȚIE: Verificați frecvent nivelul uleiului și umpleți-l atunci când nivelul uleiului scade sub linia minimă. Nu acționați niciodată ferăstrăul cu lanț dacă uleiul nu este vizibil.

UTILIZAREA SISTEMULUI DE PRINDE LANYARD (Fig. H)

⚠️ AVERTISMENT: Acoperiți întotdeauna lanțul ferăstrăului și șină de ghidare cu un înveliș pentru lanț atunci când agățați ferăstrăul cu lanț de o centură pentru unelte. Lanțul ferăstrăului este ascuțit și poate provoca răni grave.

⚠️ AVERTISMENT: Asigurați-vă că șnurul lanyard este suficient de rezistent pentru a susține greutatea combinată a ferăstrăului cu lanț și a acumulatorului. Dacă ferăstrăul cu lanț cade, pot apărea leziuni grave și pagube materiale.

ATAȘAREA/DETAȘAREA SETULUI DE ACUMULATORI

Utilizați numai seturile de acumulatori EGO și încărcătoarele prezentate în Fig. A2.

Încărcați acumulatorul complet înainte de prima utilizare.

Pentru atașare

Aliniați nervurile de pe acumulator cu fantele de montare și apăsați în jos setul de acumulatori până la auzul unui "clic" (Fig. I).

Pentru detașare

Apăsați butonul de detașare al setului de acumulatori și scoateți setul de acumulatori (Fig. J).

⚠️ AVERTISMENT: Pentru a menține un echilibru confortabil în timpul tăierii, vă rugăm să utilizați numai acumulatorul BA1400/BA1400T.

PORNIREA/OPRIREA FERĂSTRĂULUI CU LANȚ

OBSERVAȚIE: Înainte de pune în funcțiune ferăstrăul cu lanț, verificați nivelul uleiului, tensionarea lanțului, gradul de ascuțire al dinților de tăiere și asigurați-vă că mânerul frânei de recul funcționează corect. Pe lângă acestea, o poziționare echilibrată și o distanțare corectă de sol sunt necesare.

Pentru a porni (Fig. K)

1. Trageți paleta frânei pentru reculul lanțului înspre mânerul frontal în poziția de funcționare (Fig. K).
2. Apucați ferm mânerul frontal cu mâna **stângă** și mânerul posterior cu mâna **dreaptă**.

⚠️ AVERTISMENT: Pentru a evita rănierea, utilizați întotdeauna ferăstrăul cu lanț cu mâna dreaptă, apucând zona de prindere a mânerului din spate (Fig. L).

3. Deplasați limba de blocare înainte și apoi apăsați comutatorul de declanșare pentru a porni ferăstrăul (Fig. L).

L-1	Zona de prindere
-----	------------------

RO

4. Eliberați limba de blocare și strângeți în continuare comutatorul de declanșare pentru funcționare continuă.
5. Cu cât comutatorul de declanșare este apăsat mai mult, cu atât viteza este mai mare. Reglați viteza pentru a se potrivi sarcinii de îndeplinit.

⚠️ AVERTISMENT: Nu încercați să porniți ferăstrăul când lanțul ferăstrăului este într-o tăietură.

Oprirea

1. Mutați ferăstrăul cu lanț departe de zona de tăiere, și apoi eliberați comutatorul de declanșare pentru a opri ferăstrăul cu lanț.
2. Împingeți paleta frânei pentru reculul lanțului înspre înainte înspre poziția de frânare pentru activarea frânei de lanț (Fig. K).

⚠️ AVERTISMENT: Întotdeauna scoateți setul de acumulatori din mașină în timpul pauzelor de lucru și după terminarea lucrării.

PRINDEREA CORECTĂ A MÂNERELOR (FIG. M)

- Purtați mănuși antiderapante pentru aderență maximă și protecție.
- Cu ferăstrăul așezat pe o suprafață fermă, dreaptă, apucați ferăstrăul cu ambele mâini.
- Întotdeauna apucați mânerul frontal cu mâna stângă și mânerul posterior cu mâna dreaptă.
- Degetele trebuie să cuprindă mânerul, cu degetul mare înfășurat sub mânerul frontal.

⚠️ AVERTISMENT: Nu utilizați niciodată o poziție stângace (cu brațele încrucișate) sau orice altă poziție care v-ar poziționa corpul sau brațul peste linia lanțului.

⚠️ AVERTISMENT: Nu acționați butonul de declanșare cu mâna stângă și țineți mânerul frontal cu mâna dreaptă. Nu permiteți niciodată unei părți a corpului să se situeze pe linia lanțului în timp ce acționați un ferăstrău cu lanț (Fig. N).

POZIȚIA DE TĂIERE ADECVATĂ (FIG. O)

- Ambele picioare trebuie poziționate stabil pe teren ferm, cu greutatea distribuită uniform între ele.
- Brațul stâng trebuie să fie drept, cu cotul blocat. Această poziție ajută la suportarea forțelor generate de recul.
- Corpul dumneavoastră trebuie întotdeauna poziționat în stânga lanțului.

TEHNICI COMUNE DE TĂIERE

⚠️ AVERTISMENT: Asigurați-vă întotdeauna că aveți o poziție stabilă și țineți ferăstrăul cu lanț cu fermitate cu ambele mâini în timp ce motorul funcționează.

⚠️ AVERTISMENT: Când ferăstrăul este oprit datorită blocării în timpul tăierii, eliberați trăgaciul declanșator; scoateți lanțul și șina de ghidare din lemn, după care reporniți ferăstrăul cu lanț.

⚠️ AVERTISMENT: Nu scoateți lanțul cu mâinile când acesta este acoperit de rumeguș. Pot rezulta răni grave în cazul pomirii accidentale a ferăstrăului cu lanț. Apăsați din nou ferăstrăul pe lemn, deplasați ferăstrăul cu lanț înainte și înapoi pentru îndepărtarea reziduurilor. Întotdeauna îndepărtați setul de acumulatori înainte de a curăța scula. Purtați mănuși de protecție super rezistente când manipulați lanțul ferăstrăului.

⚠️ AVERTISMENT: Nu porniți niciodată ferăstrăul cu lanț când acesta este în contact cu lemnul. Întotdeauna așteptați ca ferăstrăul cu lanț să atingă viteza maximă de funcționare înainte de a-l pune în contact cu lemnul.

⚠️ AVERTISMENT: Acest ferăstrău cu lanț cu mâner superior nu este destinat utilizării la sol, prin urmare acest manual nu conține instrucțiuni pentru tăierea copacilor,

decojirea și doborârea copacilor.

⚠️ AVERTISMENT: Aceste instrucțiuni de utilizare în copaci se aplică acestui ferăstrău cu lanț cu mâner superior, proiectat exclusiv pentru aplicații de tăiere în copaci de către profesioniști certificați în domeniul serviciilor de îngrijire a copacilor, special instruiți în acest sens.

⚠️ AVERTISMENT: Tăiere în blocuri poate duce la rănire. Aceasta trebuie efectuată numai de către o persoană instruită.

⚠️ AVERTISMENT: Utilizatorii începători trebuie să exerseze tăierea buștenilor pe un cal de ferăstrău sau pe un leagăn pentru bușteni.

⚠️ AVERTISMENT: Nu lucrați în copaci în condiții de vânt puternic.

⚠️ AVERTISMENT: Asigurați-vă că toți trecătorii s-au îndepărtat de zona de cădere înainte de a începe operațiunea.

⚠️ AVERTISMENT: Niciodată nu vă apropiați, nici pe dvs. și nici echipamentul dvs., de materialul care se îndepărtează.

⚠️ ATENȚIE: Asigurați-vă că bateria este complet încărcată înainte de a lucra într-un copac.

Tunderea (Fig. P)

Urmați pașii de mai jos pentru a preveni deteriorarea scoarței copacului sau a arborelui. Nu utilizați o mișcare de tăiere înainte și înapoi.

1. Faceți o primă tăietură superficială (1/3 din diametrul crengii) pe partea inferioară a crengii, aproape de creanga principală sau de trunchi.
2. Faceți a doua tăietură din partea superioară a crengii față de prima tăietură. Continuați tăierea prin creangă până când creanga se separă de copac. Pregătiți-vă să echilibrați greutatea uneltei și asigurați-vă că ați scăpat de ea înainte de a finaliza tăierea.
3. Faceți o tăietură finală aproape de trunchi.

Tăiere în blocuri

Înainte de tăierea în blocuri, îndepărtați scoarța liberă, cuiele, capsele și sârmele de pe copacul în care urmează să se facă tăieturile de blocare.

Efectuarea unei creștături

Efectuați creștătura la 1/4 din diametrul copacului, perpendiculară pe direcția de cădere precum în ilustrația din Fig. Q. Efectuați mai întâi o creștătură orizontală joasă. Creștătura va ajuta la prevenirea prinderii fie a lanțului, fie

a șinei de ghidare când a două creștătură este executată.

Q-1	Direcția căderii	Q-3	Tăietură din spate
Q-2	Creștătură	Q-4	Șarnieră

Tăietură din spate

- Efectuați tăietura din spate la aceeași înălțime cu tăietura de creștătură orizontală, după cum se arată în Fig. Q. Păstrați tăietura din spate paralelă cu creștătura orizontală. Efectuați tăietura din spate astfel încât să rămână suficient de mult lemn care să acționeze ca muchie pentru basculare. Muchia de basculare va împiedica rotirea și căderea copacului în direcția greșită. Nu secționați complet muchia.
- Pe măsură ce tăietura se apropie de muchia lăsată pentru basculare, copacul ar trebui să înceapă să cadă. În cazul în care există și cea mai mică posibilitate ca arborele să nu cadă în direcția dorită sau să se balanseze și să prindă lanțul, opriți tăierea înainte ca tăietura din spate să fie completă și utilizați pene de lemn, plastic sau aluminiu pentru a mări tăietura și a face copacul să cadă în direcția dorită.
- Când blocul de copac începe să cadă, scoateți ferăstrăul cu lanț din zona de tăiere, opriți motorul și activați frâna lanțului. Atenție la crengile de deasupra ce pot să cadă și la unde pășiți.

ÎNȚREȚINEREA

⚠️ AVERTISMENT: La depanare, utilizați numai piese de schimb identice. Utilizarea oricăror altor piese poate crea un pericol sau poate produce o deteriorare. Pentru siguranța și fiabilitatea produsului, toate reparațiile trebuie efectuate de către un tehnician de service autorizat.

⚠️ AVERTISMENT: Pentru evitarea rănilor personale grave, îndepărtați întotdeauna setul de acumulatori din produs, înainte de a inspecta, efectuați curățarea sau orice operație de întreținere. O sculă alimentată cu set de acumulatori instalat este întotdeauna pornită și poate demara accidental.

⚠️ AVERTISMENT: Când curățați ferăstrăul cu lanț, NU îl scufundați în apă sau în oricare alt lichid.

⚠️ AVERTISMENT: Nu permiteți niciodată lichidelor de frână, benzinei, produselor petroliere, uleiurilor penetrante etc. să intre în contact cu piese din plastic. Substanțele chimice pot deteriora, pot slăbi sau pot distruge plasticul, ceea ce se poate solda cu vătămări grave.

CURĂȚARE

- După fiecare utilizare, îndepărtați reziduurile de pe

lanț și de pe șina de ghidare cu ajutorul unei perii moi. Ștergeți suprafața ferăstrăului cu lanț cu o cârpă curată, umezită cu o soluție ce conține un detergent slab.

- Îndepărtați capacul lateral, după care utilizați o perie moale pentru îndepărtarea reziduurilor de pe șina de ghidare, lanț, roată dințată și capac lateral.
- Îndepărtați întotdeauna așchiile, rumegușul și murdăria de pe canelura șinei de ghidare când înlocuiți lanțul ferăstrăului.

ÎNȚREȚINEREA ȘINEI DE GHIDARE

Când șina de ghidare prezintă semne de uzură, dezamblați-o de la capul de forță al ferăstrăului cu lanț și inversați-o pentru reasamblare (Fig. R1). În acest fel uzura va fi distribuită pentru a maximiza durata de viață a șinei de ghidare.

Șina de ghidare trebuie curățată în fiecare zi de utilizare și verificată pentru depistarea uzurii. Așchiera sau bavurarea șinelor face parte din procesul normal de uzură al șinei. Astfel de defecte pot fi netezite cu o pilă imediat după ce au loc. O șină cu următoarele defecte trebuie înlocuită.

- Uzură în interiorul șinelor ce permite lanțului să stea în lateralul șinei.
- Șină de ghidare îndoită.
- Șine crăpate sau sparte.
- Șine întinse.

Suplimentar, șina de ghidare este echipată în vârf cu o roată dințată (Fig. R2). Roata dințată trebuie unsă săptămânal cu o seringă cu grăsime pentru a prelungi durata de viață a șinei. Utilizați o seringă pentru a unge zilnic cu ulei de lanț prin orificiul de lubrifiere (Fig. R3). Întoarceți șina de ghidare și asigurați-vă că orificiile de lubrifiere și canelurile lanțului nu sunt acoperite de impurități.

R-1	Roată de lanț în vârful șinei de ghidare
R-2	Orificiu de lubrifiere

TRANSPORTAREA ȘI DEPOZITAREA

- Nu depozitați sau transportați ferăstrăul cu lanț când acesta este în funcțiune. Îndepărtați întotdeauna setul de acumulatori înainte de a depozita sau transporta scula.
- Plasați întotdeauna teaca de lanț pe șina de ghidare și lanț înainte de a depozita sau transporta ferăstrăul cu lanț. Fiți precaut pentru a evita dinții ascuțiți ai lanțului.
- Transportați întotdeauna produsul de mânerul din față.
- Protejați produsul de impacturile violente sau vibrațiile puternice care pot avea loc în timpul transportării cu un vehicul.

RO

- Curățați bine ferăstrăul cu lanț și goliți rezervorul de ulei înainte de depozitare. Depozitați ferăstrăul cu lanț în interior, într-un loc uscat care este închis cu cheia și/sau inaccesibil copiilor.
- Țineți-l la distanță de agenți corozivi, precum substanțele chimice de grădină și sărurile de dezghețare.

PROTEJAREA MEDIULUI ÎNCONJURĂTOR



Nu eliminați echipamentul electric, bateria epuizată și încărcătorul de baterii împreună cu deșeurile menajere!

Predați acest produs unui punct de reciclare autorizat sau puneți-l la dispoziția colectării separate. Sculele electrice trebuie returnate unui centru de reciclare ecologic.

DEPANAREA

⚠️ AVERTISMENT: Întotdeauna protejați-vă mâinile purtând mănuși super rezistente când efectuați orice operație de întreținere a ferăstrăului cu lanț. Întotdeauna scoateți setul de acumulatori când efectuați operații de întreținere sau transportați ferăstrăul cu lanț.

PROBLEMĂ	CAUZĂ	SOLUȚIE
Motorul nu funcționează.	<ul style="list-style-type: none"> ■ Setul de acumulatori nu este atașat la ferăstrăul cu lanț. ■ Nu există contact electric între ferăstrău și acumulator. ■ Încărcarea acumulatorului este epuizată. ■ Setul de acumulatori sau ferăstrăul cu lanț sunt prea calde. ■ Limba de blocare nu este apăsată înainte de apăsarea comutatorului de declanșare. ■ Frâna de lanț este activată. ■ Lanțul este prins în lemn. ■ Reziduuri în canelura șinei. ■ Reziduuri în capacul lateral. ■ Se utilizează un pachet de baterii de 4,0 Ah sau mai mare de Ah. 	<ul style="list-style-type: none"> ■ Atașați setul de acumulatori de ferăstrău cu lanț. ■ Îndepărtați acumulatorul, verificați contactele și reinstalați acumulatorul. ■ Încărcați setul de acumulatori. ■ Lăsați acumulatorul sau ferăstrăul cu lanț să se răcească până când temperatura scade la intervalul de temperatură de funcționare recomandat. ■ Apăsați limba de blocare și țineți-l apăsat, după care apăsați trăgaciul declanșator pentru a porni ferăstrăul cu lanț. ■ Trageți paleta de frână a lanțului spre spate, spre mânerul din față, în poziția de funcționare. ■ Eliberați trăgaciul declanșator; scoateți lanțul și șina de ghidare din lemn, după care reporniți ferăstrăul cu lanț. ■ Apăsați din nou ferăstrăul pe lemn, deplasați ferăstrăul cu lanț înainte și înapoi pentru îndepărtarea reziduurilor. ■ Îndepărtați setul de acumulatori, după care detașați capacul lateral și curățați reziduurile. ■ Utilizați numai cu pachetele de baterii EGO de 2,5 Ah BA1400 și BA1400T.
Ferăstrăul cu lanț se oprește neașteptat în timpul funcționării.	<ul style="list-style-type: none"> ■ Ferăstrăul cu lanț este suprasolicitat. ■ Setul de acumulatori sau ferăstrăul cu lanț sunt prea calde. ■ Lanțul este prins în lemn. 	<ul style="list-style-type: none"> ■ Reduceți sarcina. ■ Lăsați acumulatorul sau ferăstrăul cu lanț să se răcească până când temperatura scade la intervalul de temperatură de funcționare recomandat. ■ Eliberați trăgaciul declanșator; scoateți lanțul și șina de ghidare din lemn, după care reporniți ferăstrăul cu lanț.
Motorul funcționează, dar lanțul nu se rotește.	<ul style="list-style-type: none"> ■ Lanțul nu anclanșează roata de lanț. 	<ul style="list-style-type: none"> ■ Scoateți setul de acumulatori și reinstalați lanțul, asigurându-vă că verigile de transmisie de pe lanț sunt aranjate complet pe roata de lanț.

RO

PROBLEMĂ	CAUZĂ	SOLUȚIE
Frâna de lanț nu se activează.	<ul style="list-style-type: none"> ■ Resturi împiedică mișcarea completă a paletei frânei pentru reculul lanțului. ■ Este posibil ca frâna de lanț să nu funcționeze corect. 	<ul style="list-style-type: none"> ■ Curățați resturile de pe mecanismul extern al frânei lanțului. ■ Oprii imediat utilizarea ferăstrăului cu lanț! Contactați Serviciul clienți EGO pentru reparații.
Ferăstrăul cu lanț nu taie corect.	<ul style="list-style-type: none"> ■ Tensiune lanț insuficientă. ■ Lanț tocit. ■ Lanț instalat pe dos. ■ Lanț uzat. ■ Lanț uscat sau întins excesiv. ■ Lanț neinstalat pe canelurile șinei. 	<ul style="list-style-type: none"> ■ Reglați tensiunea lanțului, urmând instrucțiunile din capitolul: "REGLAREA TENSIUNII LANȚULUI". ■ Ascuți lanțul. ■ Repuneți la loc lanțul de ferăstrău urmând instrucțiunile din capitolul: "ASAMBLAREA/ ÎNLOCUIREA ȘINEI ȘI A LANȚULUI". ■ Înlocuiți lanțul de ferăstrău, urmând instrucțiunile din capitolul: "ASAMBLAREA/ ÎNLOCUIREA ȘINEI DE GHIDARE ȘI A LANȚULUI". ■ Verificați nivelul de ulei. Umpleți rezervorul de ulei dacă este nevoie. ■ Repuneți la loc lanțul de ferăstrău urmând instrucțiunile din capitolul: "ASAMBLAREA/ ÎNLOCUIREA ȘINEI DE GHIDARE ȘI A LANȚULUI".
Lanțul se desprinde sau cade de pe șina de ghidare în timpul utilizării normale.	<ul style="list-style-type: none"> ■ Lanțul se va slăbi pe măsură ce temperatura lanțului crește în timpul funcționării normale a ferăstrăului. ■ Lanțul nu anclanșează roata de lanț. 	<ul style="list-style-type: none"> ■ Tensionați lanțul, urmând secțiunea "REGLAREA TENSIUNII LANȚULUI". ■ Repuneți la loc lanțul de ferăstrău urmând instrucțiunile din capitolul: "ASAMBLAREA/ ÎNLOCUIREA ȘINEI DE GHIDARE ȘI A LANȚULUI".
Șina și lanțul se încălzesc și emană fum.	<ul style="list-style-type: none"> ■ Verificați tensiunea lanțului pentru a observa dacă este prea întins. ■ Rezervorul de ulei de lanț este gol. ■ Reziduuri în canelura șinei de ghidare. 	<ul style="list-style-type: none"> ■ Tensionați lanțul urmând secțiunea "REGLAREA TENSIUNII LANȚULUI". ■ Umpleți rezervorul cu lubrifiant pentru șină și lanț. ■ Apăsați din nou ferăstrăul pe lemn, deplasați ferăstrăul cu lanț înainte și înapoi pentru îndepărtarea reziduurilor.

RO

GARANȚIE

POLITICA PRIVIND GARANȚIA EGO

Vă rugăm să consultați site-ul egopowerplus.eu pentru termenii și condițiile complete ale politicii privind garanția EGO.

PREBERITE VSA NAVODILA!



PREBERITE UPORABNIŠKI PRIROČNIK

⚠ OPOZORILO: Za zagotovitev varnosti in zanesljivosti mora vsa popravila izvesti usposobljen servisni tehnik.

⚠ OPOZORILO: Pred uporabo tega orodja preberite in razumite vsa varnostna navodila v tem priročniku, vključno z vsemi varnostnimi opozorilnimi simboli, kot so »NEVARNOST«, »OPOZORILO« in »POZOR«. Zaradi neupoštevanja spodaj navedenih navodil lahko pride do električnega udara, požara in/ali resnih telesnih poškodb.

VSA OPOZORILA IN NAVODILA SHRANITE ZA POZNEJŠO UPORABO.

VARNOSTNI SIMBOLI

⚠ OPOZORILO: Delovanje katerega koli orodja lahko povzroči metanje tujkov v vaše oči, kar lahko povzroči hude poškodbe očesa. Pred začetkom dela z električnim orodjem vedno nosite zaščitna očala ali varnostna očala s stranskimi zaščitami in po potrebi tudi ščit za celoten obraz. Priporočamo vam uporabo varnostne maske Wide Vision Safety Mask za uporabo preko očal ali standardnih varnostnih očal s stransko zaščito.



Varnostno opozorilo



Nosite zaščito za oči



Nosite zaščito za glavo



Povratni udarec konice vodilne palice



Pazite na povratni udarec verižne žage in se izogibajte stiku s konico žage



Zagotovljena raven zvočne moči. Emisije hrupa v okolico so v skladu z direktivo Evropske skupnosti.



Ta izdelek je skladen z veljavnimi direktivami ES.



Enosmerni tok

mm Milimeter

V Napetost



Za zmanjšanje nevarnosti telesnih poškodb je pomembno, da uporabnik pred uporabo tega izdelka prebere priročnik za uporabo in se z njim seznani.



Nosite zaščito za ušesa



Nosite zaščitne rokavice



Verižno žago vedno uporabljajte z obema rokama



Informacije o vodilni palici



Odpadnih električnih izdelkov ne odlagajte med gospodinjne odpadke. Odnosite jih v pooblaščen obrat za recikliranje.



Ta izdelek je skladen z veljavno zakonodajo VB.

IPX4 Zaščita pred pljuski vode

n_0 Hitrost brez obremenitve

./min Na minuto

SL

TEHNIČNI PODATKI

Nazivna napetost	56 V	
Maks. Hitrost verige	20 m/s	
Delitev verige	1/4 palca (6,4 mm)	
Širina utora	1.1mm	
Dolžina meča	300 mm	
Model verige žage	AC1204Q (priporočeno)	
	AC1000Q (združljivo)	
Model vodila meča	AG1000Q (združljivo)	
Model kompleta verige in meča	AK1204Q (priporočeno)	
Volumen rezervoarja za olje verige	150 ml	
Teža (brez baterijskega sklopa, žagine verige, vodilne palice, stranskega pokrova, olja in plašča verige)	1,9 kg	
Priporočena obratovalna temperatura	Od -15 °C do 40 °C	
Priporočena temperatura za shranjevanje	Od -20 °C do 70 °C	
Priporočena temperatura polnjenja	Od 5 °C do 40 °C	
Izmerjena raven zvočne moči L_{WA}	97 dB(A)	
	K = 3,6 dB(A))	
Raven zvočnega tlaka v delovnem položaju L_{PA}	89 dB(A) K = 3 dB(A)	
Zajamčena raven zvočnega tlaka L_{WA} (v skladu z 2000/14/ES)	101 dB(A)	
Vibration a_h	Sprednji ročaj	2,64 m/s ² K = 1,5 m/s ²
	Zadnji ročaj	2,05 m/s ² K = 1,5 m/s ²

- Nazivna skupna vrednost treslajev je bila izmerjena v skladu s standardno preskusno metodo in jo je mogoče uporabiti za primerjavo enega orodja z drugim;
- Nazivno skupno vrednost treslajev je mogoče uporabiti tudi za predhodno oceno izpostavljenosti.

OPOMBA: Oddajanje treslajev med dejansko uporabo električnega orodja se lahko razlikuje od nazivne vrednosti, v kateri se uporablja orodje. Upravljevec se lahko zaščiti tako, da uporablja rokavice in naušnike, primerne dejanskim pogojem uporabe.

VSEBINA PAKETA (SL. A1)

OPIS

SPOZNAJTE SVOJO VERIŽNO ŽAGO (sl. A1)

1. Vodilo meča
2. Rezalna veriga
3. Ročaj zavore verige ob povratnem udarcu
4. Zadnji ročaj
5. Sprednji ročaj
6. Okence za preverjanje ravni olja
7. Pokrov rezervoarja za olje
8. Zaklepni jeziček
9. Sprožilec stikala
10. Gumb za sprostitve baterije
11. Stranski pokrov
12. Matica
13. Napenjalni vijak
14. Luknja za mazanje
15. Pokrov verige
16. Obešalo za vrstico
17. Kombiniran ključ

SESTAVLJANJE

NAMEŠČANJE/ZAMENJAVA MEČA IN VERIGE

⚠ OPOZORILO: Pred kakršnim koli sestavljanjem ali vzdrževanjem se prepričajte, da je baterijski sklop odstranjen. Če tega opozorila ne boste upoštevali, lahko pride do resne telesne poškodbe.

⚠ OPOZORILO: Pred sestavljanjem nastavite ročaj zavore verige ob povratnem udarcu v zavorni položaj.

⚠ OPOZORILO: Pri rokovanju z mečem in verigo vedno nosite rokavice. Ta dva sestavna dela sta ostra in lahko vsebujeta igle.

1. Pogonsko enoto verižne žage namestite na stran tako, da bo stranski pokrov obrnjen navzgor (sl. B).
2. Odstranite stranski pokrov tako, da zavrtilo matico v nasprotni smeri urinega kazalca.
3. Napenjalni vijak obrnite v nasprotni smeri urinega kazalca, da popustite napetost verige.
4. Rezalno verigo v obliki zanke položite na ravno površino in okrepite vse vozle (sl. C).
5. Povezave pogona verige namestite v utor vodilne palice in na zadnji strani vodilne palice verigo oblikujte

SL

v zanko (sl. D).

6. Verigo držite v položaju na vodilu meča in namestite zanko okoli zobnika žage (sl. E1).

D-1	Člen verižnega pogona	E-2	Prirobnice za poravnavo
D-2	Utor vodila meča	E-3	Napenjalni zatič
E-1	Pogonski verižnik	E-4	Pritrdilni sornik

OPOMBA: Pri napenjanju rezalne verige na vodilo meča preverite, ali se po namestitvi vodila meča na žago usmeritev rezila ujema z ikono rezila in puščico za smer vrtenja na ohišju žage (sl. E1). Če sta obrnjena v nasprotno smer, znova namestite verigo žage na vodilo meča tako, da so rezalniki obrnjeni v isto smer (sl. E2).

7. Vodilo meča postavite na montažno površino tako, da rezo vodila meča potisnete čez prirobnice za poravnavo. Prepričajte se, da je vodilo meča pravilno nameščeno čez pritrdilni sornik in napenjalni zatič.
8. Stranski pokrov znova namestite na ohišje verižne žage (sl. E3) in popolnoma zategnite matico.

OPOMBA: Kovinska plošča pod vodikom meča (sl. F) lahko pri sestavljanju in vzdrževanju izskoči. V takem primeru temeljito očistite rezo med tem kovinskim delom in ohišjem ter potisnite kovinsko ploščo nazaj, da bo **poravnana z ohišjem**. Če kovinske plošče ne očistite in ne namestite pravilno, vodilo meča ne bo pravilno poravnano.

9. Z roko zavrtite verigo, da preverite, ali je veriga pravilno sestavljena in se ne zaustavlja.. V nasprotnem primeru znova sestavite verigo in meč.

OPOMBA: za podaljšanje življenjske dobe meča, meč občasno zasušite.

PRILAGAJANJE NAPETOSTI VERIGE

- Ustavite motor in odstranite baterijski sklop preden prilagodite napetost verige. Napenjalni vijak obrnite v smeri ali nasprotni smeri urinega kazalca, da prilagodite napetost verige (sl. F), dokler se veriga ne nasloni na vodilo meča s členi gonila v utoru vodila meča.
- Hladna veriga je pravilno napeta, ko na spodnji strani meča ni ohlapna in se prilega, vendar jo je mogoče obrniti z roko brez zatikanja. Verigo je treba ponovno napeti, kadar ploskve na povezavah pogona niso v utoru vodilne palice.
- Med normalnim delovanjem žage bo temperatura žage narasla. Člene gonila pravilno napete tople verige bodo iz utora meča štrlele približno 1–2 mm (sl. G).

OPOMBA: Nove verige se rade raztegnejo, zato napetost verige redno preverjajte in jo po potrebi prilagodite.

OPOMBA: Če verigo napnete ko je topla, bo morda prekratka ko se ohladi. Pred naslednjo uporabo preverite hladno napetost.

UPRAVLJANJE

⚠ OPOZORILO: Tudi če se dodobra seznanite s tem izdelkom, bodite pri ravnanju z njim pazljivi. Upoštevajte, da je samo delček sekunde nepazljivosti dovolj, da pride do hude telesne poškodbe.

⚠ OPOZORILO: Ne uporabljajte priključkov ali dodatkov, ki jih proizvajalec tega izdelka ne priporoča. Uporaba priključkov ali dodatkov, ki niso priporočeni, lahko povzroči hude telesne poškodbe.

⚠ OPOZORILO: Za preprečitev nenamernega zagona, ki bi lahko povzročil hudo telesno poškodbo, pri sestavljanju delov, prilagajanjem, čiščenjem in kadar orodje ni v uporabi, vedno odstranite baterijski sklop.

Pred vsako uporabo celoten izdelek pregledajte za poškodovane, manjkajoče ali zrahljanje dele, kot so vijaki, matice, pokrovi itd. Vsa zapirala in pokrove trdno privijte in izdelka ne uporabljajte dokler ne zamenjate manjkajočih ali poškodovanih delov.

NAMENI UPORABE

Ta izdelek lahko uporabljate za osnovno rezanje na drevesih.

⚠ OPOZORILO: Te verižne žage ne uporabljajte na drevesu, razen če ste za to posebej usposobljeni. Uporaba verižne žage na drevesu brez ustreznega usposabljanja lahko poveča tveganje za hude telesne poškodbe.

OPOMBA: Stroj lahko uporabljate samo za predvideni namen. Kakršna koli druga uporaba se smatra za nepravilno uporabo.

POLNJENJE MAZIVA ZA VODILNO PALICO IN VERIGO

⚠ OPOZORILO: Ne kadite in ne uporabljajte ognja ali plamenov v bližini olja ali verižne žage. Olje se lahko razlije in povzroči požar.

OPOMBA: Ob nakupu v verižni žagi ni olja. Izjemno pomembno je, da pred uporabo rezervoar napolnite z oljem. Veriga se med delovanjem samodejno maže z oljem za verigo, če je v posodi za olje dovolj olja.

- Verižno žago namestite na stran tako, da je pokrov rezervoarja obrnjen navzgor.
- Očistite pokrov rezervoarja za olje in območje okoli

SL

- njega, da preprečite vstop umazanije v rezervoar.
3. Priključek za višinski obrezovalnik položite v navpični položaj in obračajte pokrov rezervoarja za olje v obratni smeri urinega kazalca, da ga odstranite (sl. H).
 4. Predvidno vlijte olje za vodila in verigo v rezervoar. Napolnite do dna polnilne odprtine rezervoarja.
 5. Obrišite odvečno olje in zaprite pokrovček.

OPOMBA: Pogosto preverjajte nivo olja in ga napolnite, ko pade pod spodnjo črto. Verižne žage nikoli ne uporabljajte, če olje ni vidno.

UPORABA VSTAVITVENE ODPRTINE ZA VRVICO (SL. H)

⚠ OPOZORILO: Kadar je verižna žaga obešena na pas za orodje, rezalno verigo in vodilo meča vedno pokrijte s pokrovom verige. Rezalna veriga je ostra in lahko povzroči hude poškodbe.

⚠ OPOZORILO: Poskrbite, da je vrstica dovolj močna, da prenese skupno težo verižne žage in baterijskega sklopa. V primeru padca verižne žage lahko pride do hudih poškodb in materialne škode.

PRIKLJUČITEV/ODKLOP BATERIJSKEGA SKLOPA

Napravo uporabljajte samo z baterijskimi sklopi in polnilniki EGO, navedenimi na sl. A2.

Pred prvo uporabo baterijo popolnoma napolnite.

Napotki za priključitev

Rebra baterije poravnajte z režami za namestitev in potisnite baterijski sklop navzdol, da zaslišite »klik« (sl. I).

Napotki za odklop

Pritisnite gumb za sprostitve baterije in izvlecite baterijski sklop (sl. J).

⚠ OPOZORILO: Za ohranitev udobnega ravnotežja pri žaganju uporabljate samo baterijski sklop BA1400/BA1400T.

ZAGON/ZAUSTAVITEV VERIŽNE ŽAGE

OPOMBA: Pred zagonom verižne žage preverite nivo olja, napetost verige, ostrino zob verige in pravilno delovanje ročaja zavore verige ob povratnem udarcu. Poleg tega sta potrebni uravnotežena opora in primerna razdalja od tal.

Zagon (sl. K)

1. Ročaj zavore verige ob povratnem udarcu povlecite proti sprednjemu ročaju v položaj za delovanje (sl. K).
2. Sprednji ročaj vedno čvrsto z **levo** roko, zadnjega pa z **desno** roko.

⚠ OPOZORILO: Za preprečitev telesnih poškodb

verižno žago vedno uporabljajte tako, da z desno roko primete oprijemalno območje na zadnjem ročaju (sl. L).

3. Premaknite zaklepni jeziček naprej in pritisnite sprožilec stikala, da zažene žago (sl. L).

L-1	Oprijemalno območje
-----	---------------------

4. Izpustite zaklepni jeziček in še naprej stiskajte sprožilec stikala za nadaljnje delovanje.
5. Bolj ko je sprožilec stikala pritisnjen, večja je hitrost verige. Prilagodite hitrost trenutnemu opravilu.

⚠ OPOZORILO: Žage ne poskušajte zagnati, kadar je veriga v rezu.

Zaustavitev

1. Verižno žago premaknite stran od območja rezanja in nato spustite sprožilec stikala, da zaustavite višinski verižno žago.
2. Ročaj zavore verige ob povratnem udarcu potisnite naprej v zavorni položaj, da aktivirate zavoro verige (sl. K).

⚠ OPOZORILO: Med delovnimi odmori in po končanem delu s stroja vedno odstranite baterijski sklop.

PRIMEREN OPRIJEM NA ROČAJIH (SL. M)

- Nosite nestrse rokavice za najboljši oprijem in zaščito.
- Z žago na trdni in ravni površini jo trdno držite z obema rokama.
- Sprednji ročaj vedno primite z levo roko, zadnjega pa z desno roko.
- Prsti morajo obkrožiti ročaj, palec pa mora biti ovit pod sprednjim ročajem.

⚠ OPOZORILO: nikoli ne uporabljajte levoročnega prijema (prekrižanih rok) ali položaja, ob katerem bi bila vaše telo ali roka preko linije verige.

⚠ OPOZORILO: sprožilca stikala ne upravljajte z levo roko in ne držite sprednjega ročaja z desno roko. Med uporabo verižne žage vedno poskrbite, da noben del vašega telesa ni v liniji verige (sl. N).

PRAVILEN POLOŽAJ ŽAGANJA (SL. O)

- Obe stopali morata biti na trdni površini, teža pa mora biti enakomerno razporejena.
- Leva roka mora biti iztegnjena, komolec pa nepremičen. To pomaga pri zoperstavljanju sil, ki jih ustvari povratni udarec.
- Vaše telo mora biti vedno levo od verižne žage.

POGOSTE TEHNIKE ŽAGANJA

⚠ OPOZORILO: Vedno poskrbite, da dobro stojite in da žago trdno držite v rokah, ko motor teče.

⚠ OPOZORILO: Ko se je veriga ustavila zaradi stiskanja med žaganjem, sprostite sprožilec stikala, odstranite verigo in vodilo meča iz lesa, nato verižno žago ponovno vključite.

⚠ OPOZORILO: Verige ne vlecite z roko, ko je omejena z žagovino. Če se verižna žaga naključno vključi, lahko pride do resnih poškodb. Verigo pritisnite ob les ter verižno žago premaknite naprej in nazaj, da izpraznite delce. Pred čiščenjem baterijski sklop vedno odstranite. Pri rokovanju z verigo nosite robustne zaščitne rokavice.

⚠ OPOZORILO: Če je verižna žaga v stiku z lesom, je nikoli ne vključite. Pred začetkom žaganja vedno dovolite da verižna žaga doseže polno hitrost.

⚠ OPOZORILO: Ta verižna žaga z zgornjim ročajem ni namenjena uporabi na tleh, zato ta priročnik ne vsebuje navodil za podiranje dreves, obvejevanje in razrez dreves.

⚠ OPOZORILO: Te navodila za uporabo na drevesu veljajo za to verižno žago z zgornjim ročajem, ki je zasnovana izključno za žaganje na drevesih, ki ga izvajajo posebej za to usposobljeni certificirani strokovnjaki za drevesa.

⚠ OPOZORILO: Žaganje po delih lahko povzroči poškodbe. Izvede ga lahko samo usposobljena oseba.

⚠ OPOZORILO: Neizkušeni uporabniki naj najprej vadijo žaganje debel na kozi ali posebni opori za žaganje.

⚠ OPOZORILO: Ne delajte na drevesih v primeru močnega vetra.

⚠ OPOZORILO: Poskrbite, da so vsi opazovalci pred začetkom postopka zunaj območja padca.

⚠ OPOZORILO: Vedno poskrbite, da vi in vaša oprema niste v bližini materiala, ki ga odstranjujete.

⚠ POZOR: Pred začetkom dela na drevesu se prepričajte, da je baterija popolnoma napolnjena.

Obrezovanje (sl. P)

Sledite spodnjim korakom, da preprečite poškodbe lubja dreves ali grmovja. Orodja pri rezanju ne premikajte naprej in nazaj.

1. Prvi rez naj bo plitev (1/3 premera veje) na spodnji strani veje ob glavni veji ali deblu.
2. Drugi rez naj bo z zgornje strani veje navzven proti prvemu rezu. Nadaljujte z rezanjem veje, dokler je ne ločite od drevesa. Bodite pripravljene na uravnoteženje

teže orodja in se pred zaključkom reza prepričajte, da se ga ne morete dotakniti.

3. Zadnji rez naj bo ob deblu.

Žaganje po delih

Pred žaganjem odstranite ohlapno lubje, žeblice, sponke in žico z drevesa, kjer boste žagali po delih.

Izdelava zaseka

Zarezo naredite do 1/4 premera drevesa pravokotno na smer padca, kot je prikazano na sliki Q. Najprej ustvarite spodnjo vodoravno zarezo. Tako se boste izognili ukleščanju verige ali meča žage pri ustvarjanju druge zareze.

Q-1	Smer padca	Q-3	Rez za podiranje
Q-2	Zareza	Q-4	Zgib

Rez za podiranje

- Rez za podiranje naredite na isti višini vodoravnega zaseka, kot je prikazano na sliki Q. Rez za podiranje naj bo vzporeden vodoravnemu rezu. Rez za podiranje naredite tako, da ostane dovolj lesa, ki deluje kot sklep. Sklepni les omogoča, da se drevo ne zasuče in pade v napačno smer. Sklepa na prežagajte.
- Ko se rez za podiranje približuje tečaju, bi drevo moralo začeti padati. Če obstaja možnost, da drevo ne bo padlo v zeleno smer ali se lahko nagne nazaj in uklešči verigo, prenehajte z žaganjem, preden je rez za podiranje končan in uporabite lesene, plastične ali aluminijaste zagozde, da odprete zarezo in da drevo pade v zeleno smer.
- Ko začne del drevesa padati, odstranite verižno žago iz reza, ustavite motor in aktivirajte zavoro verige. Pazite na padajoče veje nad vami ter na to, kod stopate.

SL

VZDRŽEVANJE

⚠ OPOZORILO: Za popravila uporabljajte samo identične nadomestne dele. Uporaba drugih delov je tvegana in lahko poškoduje izdelek. Za zagotovitev varnosti in zanesljivosti mora vsa popravila izvesti usposobljen servisni tehnik.

⚠ OPOZORILO: Da bi se izognili hudim telesnim poškodbam pred pregledom, čiščenjem ali vzdrževanjem iz izdelka vedno odstranite baterijski sklop. Baterijsko orodje, ki ima nameščen baterijski sklop, je vedno vključeno in se lahko samodejno vključi.

⚠ OPOZORILO: Pri čiščenju, verižne žage NE potopite v vodo ali druge tekočine.

⚠ OPOZORILO: Zavorna tekočina, gorivo, izdelki na

bazi nafte, prodirajoče olje ipd. naj nikoli ne pridejo v stik s plastičnimi deli. Kemikalije lahko plastiko poškodujejo, oslabijo ali uničijo, kar lahko privede do hudih poškodb.

ČIŠČENJE

- Po vsaki uporabi, z mehko krtačo, z žage in vodilna meča odstranite delce. Površino verižne žage obrišite s čisto in vlažno krpo ter nekaj blage čistilne raztopine.
- Odstranite stranski pokrov, nato z mehko krtačo odstranite delce z vodila vodilne palice, verige, zobnika in stranskega pokrova.
- Pri čiščenju verige vedno očistite delce lesa, žagovino in umazanijo iz utora vodila meča.

VZDRŽEVANJE VODILA MEČA

Če je vodilo meča obrabljeno, ga razstavite s pogonske enote verižne žage in ga obrnite ter ponovno sestavite (sl. R1). Na ta način se obraba porazdeli tako, da je življenjska doba vodilne palice čim daljša.

Vodilno palico je treba očistiti vsak dan uporabe in preveriti če ima kakršnekoli znake obrabe in poškodb. Na tirnicah meča se lahko pojavijo nitke oziroma igle, kar je normal proces obrabe. Takšne napake je treba zgladiti s pilo takoj ko se pojavijo. Vodilo meča s katero izmed naslednjih napak je treba zamenjati.

- Obraba znotraj tirnic vodilna meča, ki dovoljuje verigi da je nameščena preko stranic.
- Zvito vodilo meča.
- Počene tirnice.
- Razširjene tirnice.

Poleg tega ima vodilo meča zobnik na konici (sl. R2). Zobnik je treba tedensko mazati z mastjo iz brizgalke da bi podaljšali življenjsko dobo vodila meča. Za tedensko mazanje z oljem uporabite brizgalko, da namažete luknjo za mazanje (sl. R3). Vodilo meča obrnite in preverite, da v luknjah za mazanje in utoru verige ni nečistoč.

R-1	Zobnik v konici vodilne palice
R-2	Luknja za mazanje

PREVOZ IN SHRANJEVANJE

- Verižne žage ne prenašajte ali shranjujte kadar je v teku. Pred skladiščenjem ali prevozom vedno odstranite baterijski sklop.
- Na vodilo meča in verigo pred skladiščenjem ali transportom verižne žage vedno namestite pokrov verige. Bodite previdni, da se izognete ostrim zobem verige.
- Izdelek vedno nosite za sprednji ročaj.
- Zaščitite izdelek pred močnimi udarci ali vibracijami, ki se lahko pojavijo med prevozom v vozilih.
- Temeljito očistite verižno žago in izpraznite posodo za olje, preden jo shranite. Verižno žago skladiščite v notranjem prostoru, ki je zaklenjen in/ali nedostopen otrokom.
- Orodja ne shranjujte v bližini korozivnih sredstev, kot so vrtno kemikalije in soli za topljenje ledu.

VAROVANJE OKOLJA



Električne opreme, rabljene baterije in polnilnika ne odvrzite med gospodinjске odpadke!

Izdelek odnesite na pooblaščen obrat za recikliranje in ga zavrzite ločeno. Električna orodja je treba odnesti na obrat za recikliranje in ga reciklirati na okolju prijazen način.

SL

ODPRAVLJANJE TEŽAV

⚠ OPOZORILO: Pri vzdrževanju verige dlani vedno zaščitite tako, da nosite robustne rokavice. Pri servisiranju ali transportu verižne žage vedno odstranite baterijski sklop.

TEŽAVA	VZROK	REŠITEV
Motor ne teče.	<ul style="list-style-type: none"> ■ Baterijski sklop ni pritrjen na verižno žago. ■ Med žago in baterijskim sklopom ni električnega stika. ■ Baterijski sklop je izprazen. ■ Baterijski sklop ali verižna žaga je prevroča. ■ Zaklepni jeziček ni sproščen pred pritiskom sprožilca stikala. ■ Zavora verige je aktivirana. ■ Veriga je zataknjena v lesu. ■ Delci v meču. ■ Delci v stranskem pokrovu. ■ Uporabljen je baterijski sklop z zmogljivostjo 4,0 Ah ali višjo. 	<ul style="list-style-type: none"> ■ Baterijski sklop pritrdite na verižno žago. ■ Odstranite baterijski sklop, preverite kontakte in znova namestite baterijski sklop. ■ Napolnite baterijski sklop. ■ Počakajte, da se baterijski sklop ali verižna žaga ohladi, dokler temperatura ne pade na priporočeno delovno temperaturno območje. ■ Zaklepni jeziček pritisnite navzdol in ga pridržite, nato pa pritisnite sprožilec stikala za vklop verižne žage. ■ Zadnji ročaj zavore verige ob povratnem udarcu povlecite proti sprednjemu ročaju v položaj za delovanje. ■ Sprostite sprožilec stikala, odstranite verigo in meč iz lesa, nato verižno žago ponovno vključite. ■ Verigo pritisnite ob les ter verižno žago premaknite naprej in nazaj, da izpraznite delce. ■ Odstranite baterijski sklop, nato odstranite stranski pokrov in očistite delce. ■ Uporabljajte samo z baterijskimi sklopi EGO 2,5 Ah BA1400 in BA1400T.
Verižna žaga se med delovanjem nepričakovano ustavi.	<ul style="list-style-type: none"> ■ Verižna žaga je preobremenjena. ■ Baterijski sklop ali verižna žaga je prevroča. ■ Veriga je zataknjena v lesu. 	<ul style="list-style-type: none"> ■ Zmanjšajte obremenitev. ■ Počakajte, da se baterijski sklop ali verižna žaga ohladi, dokler temperatura ne pade na priporočeno delovno temperaturno območje. ■ Sprostite sprožilec stikala, odstranite verigo in meč iz lesa, nato verižno žago ponovno vključite.
Motor teče, vendar se veriga ne vrti.	<ul style="list-style-type: none"> ■ Veriga ne aktivira pogonskega zobnika. 	<ul style="list-style-type: none"> ■ Odstranite baterijski sklop in znova namestite verigo. Prepričajte se, da so pogonske povezave na verigi popolnoma nameščene na zobniku.

SL

TEŽAVA	VZROK	REŠITEV
Zavora verige se ne aktivira.	<ul style="list-style-type: none"> ■ Delci preprečujejo popolno premikanje ročaja zavore verige ob povratnem udarcu. ■ Možna je okvara zavore verige. 	<ul style="list-style-type: none"> ■ Odstranite delce iz zunanjega mehanizma zavore verige. ■ Takoj prenehajte uporabljati verižno žago! Za popravilo se obrnite na podporo za kupce izdelkov EGO.
Verižna žaga ne žaga pravilno.	<ul style="list-style-type: none"> ■ Nezadostna napetost verige. ■ Topa veriga. ■ Veriga je nameščena v nasprotni smeri. ■ Obrabljena veriga. ■ Suha ali preveč raztegnjena veriga. ■ Veriga ni v utoru vodilne palice. 	<ul style="list-style-type: none"> ■ Ponastavite napetost verige. Sledite navodilom v razdelku: »PRILAGAJANJE NAPETOSTI VERIGE« ■ Nabusite verigo. ■ Znova namestite verižno žago v skladu z razdelkom »SESTAVLJANJE/ZAMENJAVA MEČA IN VERIGE«. ■ Zamenjajte verigo. Sledite navodilom v razdelku: »AMEŠČANJE/ZAMENJAVA MEČA IN VERIGE« ■ Preverite nivo olja. Če je treba napolnite rezervoar za olje. ■ Ponovno namestite verigo. Sledite navodilom v razdelku: »AMEŠČANJE/ZAMENJAVA MEČA IN VERIGE«
Veriga se med običajno uporabo razrahlja ali pade z vodila.	<ul style="list-style-type: none"> ■ Med običajnem delovanjem žage narašča temperatura verige. ■ Veriga ne aktivira pogonskega zobnika. 	<ul style="list-style-type: none"> ■ Verigo napnite v skladu z navodili v razdelku »PRILAGAJANJE NAPETOSTI VERIGE«. ■ Ponovno namestite verigo. Sledite navodilom v razdelku: »AMEŠČANJE/ZAMENJAVA MEČA IN VERIGE«
Ob delovanju sta meč in veriga vroča, prisoten je dim.	<ul style="list-style-type: none"> ■ Preverite, ali je veriga morda preveč napeta. ■ Rezervoar za olje je prazen. ■ Delci v utoru vodila meča. 	<ul style="list-style-type: none"> ■ Znova napnite verigo v skladu z navodili v razdelku »PRILAGAJANJE NAPETOSTI VERIGE«. ■ Napolnite posodo z mazivom za meč in verigo. ■ Verigo pritisnite ob les ter verižno žago premaknite naprej in nazaj, da izpraznite delce.

SL

GARANCIJA

GARANCIJSKA POLITIKA DRUŽBE EGO

Za popolne pogoje garancijske politike družbe EGO obiščite spletno mesto egopowerplus.eu.

PERSKAITYKITE VISAS INSTRUKCIJAS!



SKAITYTI NAUDOTOJO INSTRUKCIJĄ

⚠️ ĮSPĖJIMAS: Kad būtų užtikrintas saugumas ir patikimumas, visus remonto darbus turi atlikti kvalifikuotas techninės priežiūros specialistas.

⚠️ ĮSPĖJIMAS: Prieš pradėdami naudoti šį įrenginį, perskaitykite visus šioje naudojimo instrukcijoje pateiktus saugos nurodymus, taip pat susipažinkite su visais saugos įspėjamaisiais simboliais, tokiais kaip „PAVOJUS“, „ĮSPĖJIMAS“ ir „DĖMESIO“, ir įsitikinkite, ar juos supratote. Nesilaikant visų toliau išdėstytų nurodymų galima patirti elektros smūgį, sukelti gaisrą ir (ar) sunkiai susižaloti.

ĮSAAUGOKITE VISAS INSTRUKCIJAS SU ĮSPĖJIMAIS, NES JŲ GALI PRIREIKTI ATEITYJE.

SAUGOS SIMBOLIAI

⚠️ ĮSPĖJIMAS: Bet koks įrenginys naudojimo metu gali išsviesti šiukšles, kurios gali pataikyti į akis ir sunkiai jas sužaloti. Prieš pradėdami naudoti elektrinį įrankį, visada užsidėkite apsauginius akinius arba apsauginius akinius su šonine apsauga ir, jei reikia, visą veidą dengiantį skydelį. Rekomenduojame naudoti platų matymo lauką užtikrinančią apsauginę kaukę, dedamą ant akinių, arba standartinius apsauginius akinius su šonine apsauga.



Įspėjimas dėl saugos



Užsidėti apsauginius akinius



Dėvėti galvos apsaugą



Kreipiamosios juostos viršūnės atatranka



Saugotis grandininio pjūklų atatrankos ir sąlyčio su juostos viršūne



Garantuojamas garso galios lygis. Triukšmo sklaida į aplinką atitinka Europos Bendrijos direktyvą.



Šis gaminytis atitinka taikomas EB direktyvas.



Nuolatinė srovė

mm Milimetrai

V Įtampa



Kad sumažintų susižalojimo pavojų, prieš naudodamas šį gaminį naudotojas turi perskaityti naudotojo vadovą ir įsitikinti, kad jį suprato.



Dėvėti klausos apsaugos priemones



Mūvėti apsaugines pirštines



Grandininį pjūklą visada laikyti abiem rankomis



Informacija apie kreipiamąją juostą



Netinkamus naudoti elektrinius gaminius draudžiama išmesti kartu su buitinėmis atliekomis. Pristatyti įgielotam perdirbėjui.



Šis gaminytis atitinka taikomas JK direktyvas.

IPX4

Apsauga nuo vandens pusrūš

n₀

Sūčiai be apkrovos

.../min.

Per minutę

LT

TECHNINIAI DUOMENYS

Vardinė įtampa	56 V	
Maks. grandinės greitis	20 m/s	
Grandinės žingsnis	1/4" (6,4 mm)	
Pjovimo gylio ribotuvas	1,1 mm	
Kreipiamosios juostos ilgis	300 mm	
Pjūklo grandinės modelis	AC1204Q (rekomenduojamas)	
	AC1000Q (suderinamas)	
Kreipiamosios juostos modelis	AG1000Q (suderinamas)	
Pjūklo grandinės ir juostos rinkinio modelis	AK1204Q (rekomenduojamas)	
Grandinės alyvos bakelio talpa	150 ml	
Svoris (be sudėtinės baterijos, pjūklo grandinės, kreipiamosios juostos, šoninio dangtelio, alyvos ir grandinės užmovos)	1,9 kg	
Rekomenduojama darbo temperatūra	Nuo -15 °C iki 40 °C	
Rekomenduojama laikymo temperatūra	Nuo -20 °C iki 70 °C	
Rekomenduojama įkrovimo temperatūra	Nuo 5 °C iki 40 °C	
Išmatuotas garso galios lygis L_{WA}	97 dB(A) K = 3,6 dB (A)	
Garso slėgio lygis darbinėje padėtyje L_{PA}	89 dB(A) K = 3 dB(A)	
Garantuojamas garso galios lygis L_{WA} (išmatuotas pagal 2000/14/EB)	101 dB(A)	
Vibracija a_h	Priekinė rankena	2,64 m/s ² K = 1,5 m/s ²
	Galinė rankena	2,05 m/s ² K = 1,5 m/s ²

- Nurodyta bendroji vibracijos vertė išmatuota taikant standartinį bandymo metodą, todėl pagal ją galima palyginti skirtingus įrankius.
- Nurodytą bendrąją vibracijos vertę taip pat galima naudoti pirminiam poveikio vertinimui.

PASTABA: Naudojant įrankį realiomis sąlygomis, sklaidžiamos vibracijos stiprumo vertė gali skirtis nuo nurodytos. Kad apsisaugotų dirbdamas realiomis sąlygomis, naudotojas turi mūvėti pirštines ir naudoti klausos apsaugos priemones.

PAKUOTĖS TURINIO SĄRAŠAS (A1 PAV.)

APRAŠYMAS

PAŽINKITE SAVO GRANDININĮ PJŪKLĄ (A1 PAV.)

1. Kreipiamoji juosta
2. Pjūklo grandinė
3. Grandinės atatrakos stabdymo mentė
4. Galinė rankena
5. Priekinė rankena
6. Alyvos patikros langelis
7. Alyvos bakelio dangtelis
8. Fiksavimo liežuvėlis
9. Paleidimo jungiklis
10. Baterijos atjungimo mygtukas
11. Šoninis dangtelis
12. Juostos veržlė
13. Įtempimo varžtas
14. Tepimo anga
15. Grandinės užmova
16. Diržo pakaba
17. Universalus raktas

SURINKIMAS

KREIPIAMOSIOS JUOSTOS IR GRANDINĖS UŽDĖJIMAS IR KEITIMAS

⚠️ ĮSPĖJIMAS: Prieš vykdymą bet kokius surinkimo ar techninės priežiūros darbus išimkite sudėtinę bateriją. Jei nepaisysite šio įspėjimo, galite sunkiai susižaloti.

⚠️ ĮSPĖJIMAS: Prieš pradėdami surinkimą grandinės atatrakos stabdymo mentę nustatykite į stabdymo padėtį.

⚠️ ĮSPĖJIMAS: Kai tvarkote pjovimo juostą ir grandinę, visada mūvėkite pirštines. Šie komponentai yra aštrūs ir juose gali būti šerpetų.

1. Paguldysite grandininio pjūklo variklio bloką ant šono, kad šoninis dangtelis būtų nukreiptas į viršų (B pav.).
2. Nuimkite šoninį dangtelį, sukdami juostos veržlę prieš laikrodžio rodyklę.
3. Pasukite įtempimo varžtą prieš laikrodžio rodyklę, kad atlaisvintumėte grandinės įtempimą.
4. Paguldysite pjūklo grandinės kilpą ant lygaus paviršiaus ir ištiesinkite sulenktas vietas (C pav.).
5. Įstatysite grandininės varančiuosius narelius į kreipiamosios juostos griovelį ir palikite grandinės

LT

kilpą kreipiamosios juostos gale (D pav.).

- Laikydami grandinę ant kreipiamosios juostos, uždėkite jos kilpą ant pjūklo žvaigždutės (E1 pav.).

D-1	Grandinės varantieji nareliai	E-2	Lygiavimo jungė
D-2	Kreipiamosios juostos griovelis	E-3	Įtempimo kaištis
E-1	Varančioji žvaigždutė	E-4	Tvirtinimo varžtas

PASTABA: Uždėję pjūklą ant kreipiamosios juostos patikrinkite, ar, pritvirtinus kreipiamąją juostą prie pjūklo, pjoviklių judėjimo kryptis atitinka pjoviklio piktogramą ir grandinės sukimosi krypties rodyklę ant pjūklo korpuso (E1 pav.). Jeigu šios kryptys nesutampa, iš naujo perdėkite pjūklą ant kreipiamosios juostos taip, kad grandinės sukimosi kryptis sutaptų su rodyklės kryptimi (E2 pav.).

- Paguldinkite kreipiamąją juostą ant montavimo paviršiaus, stumdami kreipiamosios juostos prapjavą virš lygiavimo jungių. Patikrinkite, ar kreipiamoji juosta tinkamai uždėta virš tvirtinimo varžto ir įtempimo kaiščio.

- Vėl uždėkite šoninį dangtelį ant grandininio pjūklo korpuso (E3 pav.) ir iki galo priveržkite juostos veržlę.

PASTABA: Surinkimo ir techninės priežiūros metu gali išlįsti metalinė plokštelė po kreipiamąją juosta (F pav.). Jei taip atsitinka, kruopščiai nuvalykite tarpelį tarp šios metalinės plokštelės ir korpuso ir stumkite plokštelę atgal, kad ji būtų **atsidurtų viename lygyje su korpusu**. Nenuvalius ir tinkamai neįstačius metalinės plokštelės, kreipiamoji juosta persikreips.

- Pasukite grandinę ranka, kad patikrintumėte, ar ji tinkamai uždėta ir neklūna. Priešingu atveju iš naujo surinkite grandinę ir juostą.

PASTABA: Norėdami pailginti kreipiamosios juostos naudojimo trukmę, retkarčiais ją apverskite.

GRANDINĖS ĮTEMPIMO REGULIAVIMAS

- Prieš reguliuodami grandinės įtempimą išjunkite variklį ir išimkite sudėtinę bateriją. Reguluokite grandinės įtempimą sukdami įtempimo varžtą pagal arba prieš laikrodžio rodyklę (F pav.), kol grandinė gerai priglus prie kreipiamosios juostos, o varantieji nareliai atsidurs kreipiamosios juostos griovelyje.
- Atvėsusi grandinė yra tinkamai įtempta, kai nėra laisvumo kreipiamosios juostos apačioje ir kai grandinė gerai prigludusi, tačiau ją galima pasukti ranka ir ji

nestringa. Jei varančiųjų narelių plokštumos neįstatytos į kreipiamosios juostos griovelį, grandinę reikia įtempti iš naujo.

- Įprastai dirbant su pjūklu grandinė įkaista. Įkaitusios tinkamai įtemptos grandinės varantieji nareliai maždaug 1–2 mm išlenda iš kreipiamosios juostos griovelio (G pav.).

PASTABA: Naujos grandinės paprastai išsitempia. Dažnai tikrinkite grandinės įtempimą ir, jei reikia, įtempkite.

PASTABA: Jei įtemptiama įkaitusi grandinė, atvėsusi ji gali būti įtempta per stipriai. Prieš naudodami kitą kartą, patikrinkite atvėsusios grandinės įtempimą.

DARBAS

⚠️ ĮSPĖJIMAS: Mokėjimas naudotis šiuo gaminiu nesuteikia teisės dirbti nerūpestingai. Atminkite, kad net akimirksniui atitraukę dėmesį galite sunkiai susižaloti.

⚠️ ĮSPĖJIMAS: Nenaudokite jokių papildomų įtaisų ar priedų, kurių nerekomendavo šio gaminio gamintojas. Naudojant nerekomenduojamus papildomus įtaisus ar priedus galima sunkiai susižaloti.

⚠️ ĮSPĖJIMAS: Norėdami išvengti atsitiktinio paleidimo ir galimo sunkaus sužalojimo, visada išimkite sudėtinę bateriją iš įrankio, kai montuojate dalis, reguliuojate, valote arba įrankio nenaudojate.

Kaskart prieš naudodami gaminį nuodugniai jį patikrinkite, ar jis nesugadintas ir ar netrūksta ir neatsisaisviusios dalys, pavyzdžiui, sraigčiai, veržlės, varžtai, dangteliai ir pan. Tvirtai priveržkite visas tvirtinimo detales ir dangtelius ir nenaudokite šio gaminio, kol nepakeisite visų trūkstamų ar sugadintų dalių.

PRITAIKYMAS

Šį gaminį galite naudoti pagrindiniams pjovimo darbams įlipę į medį.

⚠️ ĮSPĖJIMAS: Nenaudokite šio grandininio pjūklo įsilipę į medį, nebent buvotė specialiai apmokyti tai daryti. Pjovimas grandininio pjūklu įsilipus į medį be tinkamo apmokymo gali padidinti sunkaus sužalojimo pavojų.

PASTABA: Įrenginį galima naudoti tik pagal numatytąją paskirtį. Bet koks kitas naudojimas laikomas netinkamu.

KREIPIAMOSIOS JUOSTOS IR GRANDINIŲ ALYVOS ĮPYLIMAS

⚠️ ĮSPĖJIMAS: Nerūkykite ir nenaudokite ugnies ar liepsnos arti alyvos arba grandininio pjūklo. Alyva gali išsilieti ir sukelti gaisrą.

PASTABA: Įsigytas naujas grandininis pjūklas nėra užpildytas alyva. Prieš naudojant pjūklą, bakelį būtina pripildyti alyvos. Darbo metu grandinė automatiškai tepama grandiniu alyva, jei alyvos bakelyje jos yra pakankamai.

1. Paguldykite grandininį pjūklą ant šono taip, kad bakelio dangtelis būtų viršuje.
2. Kad į alyvos bakelį nepatektų nešvarumų, nuvalykite jo dangtelį ir plotą aplink dangtelį.
3. Pakelkite pusapvalę plokštelę ir, sukdami prieš laikrodžio rodyklę, nuimkite alyvos bakelio dangtelį (H pav.).
4. Atsargiai pripilkite kreipiamosios juostos ir grandinių alyvos į bakelį. Pripilkite iki bakelio kakliuko apačios.
5. Nušluostykite alyvos perteklių ir užsukite dangtelį.

PASTABA: Dažnai tikrinkite alyvos lygį ir papildykite, kai jis nukrenta žemiau minimalaus kiekio linijos. Niekada nedirbkite grandiniu pjūklą, jei lygio patikros langelyje alyvos nesimato.

DIRŽO PAKABOS NAUDOJIMAS (H pav.)

⚠️ ĮSPĖJIMAS: Kabindami grandininį pjūklą ant įrankių diržo, ant pjūklo grandinės ir kreipiamosios juostos visada užmaukite grandinės užmovą. Pjūklo grandinė yra aštri ir gali sunkiai sužaloti.

⚠️ ĮSPĖJIMAS: Diržas turi būti pakankamai stiprus, kad išlaikytų bendrą grandininio pjūklo ir sudėtinės baterijos svorį. Nukritęs grandininis pjūklas gali sunkiai sužaloti arba sugadinti turą.

SUDĖTINĖS BATERIJOS ĮSTATYMAS IR IŠĖMIMAS

Naudokite tik A2 pav. pateiktas EGO sudėtinės baterijas ir įkroviklius.

Visiškai įkraukite bateriją prieš naudodami pirmą kartą.

Įstatymas

Įtaikykite sudėtinės baterijos iškyšas į tvirtinimo griovelius ir spauskite bateriją žemyn, kol išgirsite spragtelėjimą (I pav.).

Išėmimas

Paspauskite sudėtinės baterijos atjungimo mygtuką ir ištraukite bateriją (J pav.).

⚠️ ĮSPĖJIMAS: Norėdami išlaikyti patogią pusiausvyrą pjovimo metu, naudokite tik su sudėtine baterija BA1400 / BA1400T.

GRANDININIO PJŪKLO PALEIDIMAS IR SUSTABDYMAS

PASTABA: Prieš paleisdami grandininį pjūklą, patikrinkite

alyvos lygį, grandinės įtempimą ir dantukų aštrumą, o taip pat atatranks stabdymo mentę, ar tinkamai veikia. Tvirtai atstokite ir laikykite pjūklą tinkamame aukštyje virš žemės.

Paleidimas (K pav.)

1. Patraukite grandinės atatranks stabdymo mentę priekinės rankenos link, į darbinę padėtį (K pav.).
2. **Kairiaja** ranka tvirtai laikykite priekinę rankeną, o **dešiniąja** – galinę rankeną.

⚠️ ĮSPĖJIMAS: Kad išvengtumėte sužalojimų, visada grandininį pjūklą naudokite dešine ranka laikydami už galinės rankenos sugriebimo vietoje (L pav.).

3. Pjūklui paleisti pastumkite fiksavimo liežuvelį į priekį ir paspauskite paleidimo jungiklį (L pav.).

L-1	Sugriebimo vieta
-----	------------------

4. Atleiskite fiksavimo liežuvelį ir toliau laikykite nuspaudę paleidimo jungiklį, kad pjūklas nuolat veiktų.
5. Kuo stipriau spaudžiamas paleidimo jungiklis, tuo didesnis grandinės sukimosi greitis. Nusistatykite savo užduočiai tinkamą greitį.

⚠️ ĮSPĖJIMAS: Nebandykite paleisti pjūklo, kai pjūklo grandinė įstatyta į įjovą.

Sustabdymas

1. Pjūklui sustabdyti atitraukite grandininį pjūklą nuo pjovimo zonos ir atleiskite paleidimo jungiklį.
2. Pastumkite grandinės atatranks stabdymo mentę pirmyn į stabdymo padėtį, kad įjungtumėte grandinės stabdį (K pav.).

⚠️ ĮSPĖJIMAS: Darydami pertraukas arba baigę dirbti, visada išimkite sudėtinę bateriją iš įrankio.

TINKAMAS RANKENŲ LAIKYMAS (M PAV.)

- Mūvėkite neslidžias pirštines, užtikrinančias tvirtiausią sugriebimą ir apsaugą.
- Paguldę pjūklą ant tvirto ir lygaus paviršiaus, tvirtai įj suimkite abiem rankomis.
- Visada kairiaja ranka laikykite priekinę rankeną, o dešiniąja – galinę rankeną.
- Pirštai turi apimti rankeną. Priekinės rankenos apačioje turi būti nykštys.

⚠️ ĮSPĖJIMAS: Niekada nelaikykite pagrindinės rankenos kairiaja ranka (nesukryžiuokite rankų) ir nestovėkite taip, kad kūnas arba ranka kirstų grandinės plokštumą.

⚠️ ĮSPĖJIMAS: Paleidimo jungiklio nespauskite kaire ranka, o priekinės rankenos nelaikykite dešine ranka. Pjaudami grandininį pjūklą niekada nestovėkite taip, kad kūnas arba ranka kirstų grandinės plokštumą (N pav.).

TINKAMA STOVĖSENA PJAUNANT (O PAV.)

- Reikia abiem kojomis stovėti ant tvirto pagrindo ir tolygiai paskirstyti kūno svorį ant jų.
- Kairioji ranka turi būti ištiesta, o alkūnė turi būti fiksuotoje padėtyje. Tai padeda atlaikyti atatrunkos sukuriamas jėgas.
- Kūnas visada turi būti grandinės plokštumos kairėje pusėje.

IPRASTI PJOVIMO BŪDAI

⚠️ ĮSPĖJIMAS: Kai variklis paleistas, visada tvirtai stovėkite ir laikykite pjūklą abiem rankomis.

⚠️ ĮSPĖJIMAS: Jei pjūklo grandinė sustoja dėl jos suspaudimo pjaunant, atleiskite paleidimo jungiklį, ištraukite grandinę ir kreipiamąją juostą iš medienos ir po to vėl paleiskite grandininį pjūklą.

⚠️ ĮSPĖJIMAS: Jei pjūklo grandinė apsinėšę pjūvenomis, nebarkkite per ją ranka. Netikėtai pradėjęs veikti, grandininis pjūklas gali sunkiai sužaloti. Spauskite pjūklo grandinę į medieną ir stumdyskite pjūklą pirmyn bei atgal, kad pjūvenos pasišalintų. Prieš valydami visada išimkite sudėtinę bateriją. Tvarkydami pjūklo grandinę, mūvėkite tvirtas apsaugines pirštines.

⚠️ ĮSPĖJIMAS: Niekada nebandykite paleisti grandininio pjūklo, kai jis liečia medieną. Prieš pradėdami pjauti medieną, visada palaukite, kol grandininis pjūklas pasieks didžiausią greitį.

⚠️ ĮSPĖJIMAS: Šis grandininis pjūklas su rankena viršuje nėra skirtas naudoti ant žemės, todėl šiame vadove nėra instrukcijų, kaip medžius nuleisti ir pjaustyti jų šakas ar kamienus.

⚠️ ĮSPĖJIMAS: Šios pjovimo įlipus į medį instrukcijos taikomos šiam grandininiam pjūklui su rankenaviršuje, skirtam tik pjovimo darbams įlipus į medį, kuriuos vykdo specialiai apmokyti ir sertifikuoti medžių priežiūros specialistai.

⚠️ ĮSPĖJIMAS: Blokavimo procedūra yra pavojinga ir galite susižaloti. Ją gali vykdyti tik apmokytas asmuo.

⚠️ ĮSPĖJIMAS: Pirmą kartą pjūklą naudojantiems asmenims rekomenduojama jį išbandyti pjaustant rąstus ant ožio.

⚠️ ĮSPĖJIMAS: Negalima dirbti įlipus į medį, kai pučia

stiprus vėjas.

⚠️ ĮSPĖJIMAS: Prieš pradėdami dirbti užtikrinkite, kad nupjautų šakų kritimo zonoje neliktų pašalinių asmenų.

⚠️ ĮSPĖJIMAS: Visada saugokitės patys ir saugokite savo įrangą, kad neužkliudytų nupjauta šaka.

⚠️ DĖMESIO: Prieš lipdami į medį pasitikrinkite, ar baterija yra visiškai įkrauta.

Genėjimas (P pav.)

Kad nepažeistumėte medžių arba krūmų žievės, atlikite toliau aprašomus veiksmus. Pjaudami nestumdykite pjūklo pirmyn ir atgal.

1. Visų pirma negiliai įpjaukite (per 1/3 šakos skersmens) šaką iš apačios, arti pagrindinės šakos ar kamieno.
2. Tuomet įpjaukite šaką iš viršaus, šiek tiek toliau nuo pirmojo pjūvio. Tęskite šakos pjovimą, kol ji atsiskirs nuo medžio. Prieš užbaigdami pjūvį būkite pasirengę atsverti įrankio svorį ir užtikrinkite, kad jis jūsų neužkliudys.
3. Paskutinį pjūvį atlikite arti kamieno.

Blokavimas

Prieš vykdydami blokavimo procedūrą, pašalinkite atšokusią žievę, vinis, metalines kabes ir vielas nuo medžio, kuriame reikia atlikti blokuojančius pjūvius.

Nukreipimo išpjova

Kaip pavaizduota Q paveiksle, padarykite medžio virtimo kryptiai statmeną nukreipimo išpjovą, kurios gylis yra 1/4 medžio skersmens. Pirmiausiai išpjaukite apatinę horizontalią nukreipimo išpjovą. Ji padės išvengti pjūklo grandinės arba kreipiamosios juostos prispaudimo pjaunant antrąją išpjovą.

Q-1	Virtimo kryptis	Q-3	Galinė įpjova
Q-2	Išpjova	Q-4	Lankstas

Galinė įpjova

- Kaip pavaizduota Q paveiksle, padarykite galinę įpjovą tame pačiame aukštyje, kaip ir horizontali nukreipimo išpjova. Galinė įpjova turi būti lygiagreti su horizontalia nukreipimo išpjova. Galinę įpjovą padarykite tokio gylio, kad liktų pakankamai medienos, kuri atliktų lanksto funkciją. Lanksto funkciją atliekanti medžio dalis neleidžia medžiui pasisukti ir virsti netinkama kryptimi. Neperpjaukite lanksto funkciją atliekančios dalies.
- Kai galinė įpjova priartėja prie lanksto funkciją atliekančios dalies, medis turi pradėti virsti. Jei yra tikimybė, kad medis virs netinkama kryptimi arba

pasvirus atgal ir prispaus pjūklo grandinę, nustokite pjauti galinę įpjovą, išplėskite ją mediniais, plastikiniais arba aliumininiais pleištais ir nuleiskite medį reikiama kryptimi.

- Kai medis pradeda virsti, ištraukite grandininį pjūklą iš įpjovos, išjunkite variklį ir įjunkite grandinės stabdį. Saugokitės krantinčių iš viršaus šakų ir žiūrėkite, kur žengiate.

TECHNINĖ PRIEŽIŪRA

▲ ĮSPĖJIMAS: Vykdydami techninės priežiūros darbus, naudokite tik identiškas atsargines dalis. Naudojant bet kokias kitas dalis, gali kilti pavojus arba sugesti gaminys. Kad būtų užtikrintas saugumas ir patikimumas, visus remonto darbus turi atlikti kvalifikuotas techninės priežiūros specialistas.

▲ ĮSPĖJIMAS: Visada išimkite sudėtinę bateriją iš gaminio prieš jį tikrindami, valydami arba prieš vykdydami jo techninės priežiūros darbus, kad išvengtumėte pavojaus sunkiai susižaloti. Akumulatorinis įrankis su įstatyta sudėtine baterija yra nuolat prijungtas prie maitinimo įtampos, todėl gali būti atsitiktinai paleistas.

▲ ĮSPĖJIMAS: Kai valote grandininį pjūklą, NEMERKITE jo į vandenį ar kitokį skystį.

▲ ĮSPĖJIMAS: Niekada neleiskite stabdžių skysčiui, benzinui, naftos produktams, skvarbiai alyvai ir panašioms medžiagoms patekti ant plastikinių dalių. Cheminės medžiagos plastiką gali sugadinti, susilpninti arba suardyti. Dėl to galite sunkiai susižaloti.

LT

VALYMAS

- Kaskart po naudojimo minkštu šepetėliu nuvalykite nešvarumus nuo grandinės ir krepiamosios juostos. Grandininio pjūklo paviršių valykite švariu skudurėliu, sudrėkintu mažos koncentracijos muilo tirpalu.
- Nuimkite šoninį dangtelį ir minkštu šepetėliu nuvalykite nešvarumus nuo krepiamosios juostos, pjūklo grandinės, žvaigždutės ir šoninio dangtelio.
- Keisdami pjūklo grandinę, iš krepiamosios juostos griovelio būtinai išvalykite medienos skiedras, pjuvenas ir nešvarumus.

KREPIAMOSIOS JUOSTOS TECHNINĖ PRIEŽIŪRA

Ant krepiamosios juostos pastebėję nudilimo požymius, nuimkite ją nuo grandininio pjūklo variklio bloko, apverskite ir vėl uždėkite (R1 pav.). Tokiu būdu ji tolygiau dils ir pailgės jos naudojimo trukmė.

Kiekvieną dieną, kai dirbate su įrankiu, reikia nuvalyti juosta ir patikrinti, ar ji nesudilus ir nepažeista. Krepiamo-

sios juostos bėgelių šiaušimasis arba šerpetų atsiradimas juose yra normalūs juostos dilimo požymiai. Atsiradusius tokius nelygumus galima pašalinti su dilde. Krepiamąją juosta, kurioje yra toliau nurodytų defektų, reikia pakeisti:

- Išdilimas juostos bėgelyje, dėl kurio grandinė pakrypsta.
- Įlenkta krepiamoji juosta.
- Įtrūkė arba sulūžę bėgeliai.
- Išsiplėtę bėgeliai.

Be to, krepiamosios juostos viršūnėje yra žvaigždutė (R2 pav.). Žvaigždutę reikia kas savaitę sutepti tepimo švirkštu, kad pailgutumėte krepiamosios juostos naudojimo trukmę. Kas savaitę tepimo švirkštu įleiskite grandinės alyvos į tepimo angą (R3 pav.). Pasukite krepiamąją juosta ir patikrinkite, ar tepimo angose ir grandinės griovelyje nėra nešvarumų.

R-1	Žvaigždutė krepiamosios juostos viršūnėje
R-2	Tepimo anga

GABENIMAS IR LAIKYMAS

- Nepalikite laikymo vietoje ir neneškite įjungto grandininio pjūklo. Prieš padėdami į laikymo vietą ar gabendami visada išimkite sudėtinę bateriją.
- Visada uždėkite grandinės užmovą ant krepiamosios juostos ir grandinės, prieš palikdami grandininį pjūklą laikymo vietoje arba gabendami. Saugokitės aštrių grandinės dantukų.
- Gaminį visada neškite paėmę už rankenos.
- Saugokite gaminį nuo smūgių ar stiprios vibracijos, kuri gali atsirasti gabenant transporto priemonėmis.
- Prieš padėdami pjūklą į laikymo vietą kruopščiai jį nuvalykite ir išpilkite alyvą iš alyvos bakelio. Grandininį pjūklą laikykite patalpoje, kuri yra sausa, rakinama ir (ar) neprieinama vaikams.
- Laikykite toliau nuo šėdinančių medžiagų, pvz., sodo chemikalų ir ledo tirpymo druskų.

APLINKOS APSAUGA



Neišmeskite elektros įrangos, panaudotų baterijų ir įkroviklio kartu su buitinėmis atliekomis!

Šias atliekas reikia pristatyti į jų surinkimo vietą ar įgaliotam perdirdėjui. Elektrinius įrenginius reikia pristatyti į tokių atliekų perdirdimo įmonę.

TRIKČIŲ ŠALINIMAS

▲ ĮSPĖJIMAS: Kai vykdomė grandininio pjūklo techninės priežiūros darbus, visada apsaugokite rankas, užsimaudami tvirtas pirštines. Visada išimkite sudėtinę bateriją, kai vykdomė grandininio pjūklo techninės priežiūros darbus arba jį gabenate.

PROBLEMA	PRIEŽASTIS	SPRENDIMAS
Neveikia variklis.	<ul style="list-style-type: none"> ■ Sudėtinė baterija neprijungta prie grandininio pjūklo. ■ Nėra elektrinio kontakto tarp pjūklo ir sudėtinės baterijos. ■ Sudėtinė baterija visiškai išsikrovusi. ■ Sudėtinė baterija arba grandininis pjūklas pernelyg įkaitę. ■ Prieš paspaudžiant paleidimo jungiklį nenuspaudžiamas fiksavimo liežuvelis. ■ Įjungtas grandinės stabdys. ■ Pjūklo grandinė įstrigo medienoje. ■ Nešvarumai kreipiamosios juostos griovelyje. ■ Nešvarumai šoniniame dangtelyje. ■ Naudojama 4,0 Ah arba didesnės talpos sudėtinė baterija. 	<ul style="list-style-type: none"> ■ Prijunkite sudėtinę bateriją prie grandininio pjūklo. ■ Išimkite sudėtinę bateriją, patikrinkite kontaktus ir vėl ją įstatykite. ■ Įkraukite sudėtinę bateriją. ■ Leiskite sudėtinei baterijai arba grandininiam pjūklui atvėsti, kol temperatūra nukris iki rekomenduojamos darbinės temperatūros. ■ Paspauskite ir laikykite nuspaudę fiksavimo liežuvelį, o po to nuspauskite paleidimo jungiklį ir paleiskite grandininį pjūklą. ■ Patraukite grandinės atatranks stabdymo mentę atgal priekinės rankenos link į darbinę padėtį. ■ Atleiskite paleidimo jungiklį, ištraukite grandinę ir pjovimo juostą iš medienos ir tuomet vėl paleiskite grandininį pjūklą. ■ Spauskite pjūklo grandinę į medieną ir stumdykite pjūklą pirmyn bei atgal, kad pjūvenos pasišalintų. ■ Išimkite sudėtinę bateriją, nuimkite šoninį dangtelį ir išvalykite nešvarumus. ■ Naudokite tik su EGO 2,5 Ah sudėtinėmis baterijomis BA1400 ir BA1400T.
Pjovimo metu grandininis pjūklas netikėtai sustoja.	<ul style="list-style-type: none"> ■ Grandininio pjūklo perkrova. ■ Sudėtinė baterija arba grandininis pjūklas pernelyg įkaitę. ■ Pjūklo grandinė įstrigo medienoje. 	<ul style="list-style-type: none"> ■ Sumažinkite apkrovą. ■ Leiskite sudėtinei baterijai arba grandininiam pjūklui atvėsti, kol temperatūra nukris iki rekomenduojamos darbinės temperatūros. ■ Atleiskite paleidimo jungiklį, ištraukite grandinę ir pjovimo juostą iš medienos ir tuomet vėl paleiskite grandininį pjūklą.
Variklis veikia, tačiau grandinė nesisuka.	<ul style="list-style-type: none"> ■ Grandinė nesusikabina su varančiąja žvaigždute. 	<ul style="list-style-type: none"> ■ Išimkite sudėtinę bateriją ir iš naujo uždėkite grandinę; grandinės varantieji nareliai turi būti visiškai užmauti ant žvaigždutės.
Neįsijungia grandinės stabdys.	<ul style="list-style-type: none"> ■ Nešvarumai trukdo grandinės atatranks stabdymo mentei laisvai judėti. ■ Galimas grandinės stabdžio gedimas. 	<ul style="list-style-type: none"> ■ Nuvalykite nešvarumus nuo išorinio grandinės stabdžio mechanizmo. ■ Nedelsdami nustokite naudoti grandininį pjūklą! Kreipkitės į EGO klientų aptarnavimo tarnybą dėl remonto.

PROBLEMA	PRIEŽASTIS	SPRENDIMAS
Grandininis pjūklas netinkamai pjauna.	<ul style="list-style-type: none"> ■ Nepakankamai įtempta grandinė. ■ Atšipusi grandinė. ■ Grandinė uždėta atvirkščiai. ■ Sudilusi grandinė. ■ Sausa arba per daug įtempta grandinė. ■ Grandinė neįstatyta į kreipiamosios juostos griovelį. 	<ul style="list-style-type: none"> ■ Iš naujo sureguliuokite įtempimą pagal nurodymus skyriuje „GRANDINĖS ĮTEMPIMO REGULIAVIMAS“. ■ Pagaląskite grandinę. ■ Pagal skyriuje „KREIPIAMOSIOS JUOSTOS IR GRANDINĖS UŽDĖJIMAS IR KEITIMAS“ pateiktus nurodymus vėl uždėkite pjūklą grandinę. ■ Pakeiskite grandinę pagal nurodymus skyriuje „KREIPIAMOSIOS JUOSTOS IR GRANDINĖS UŽDĖJIMAS IR KEITIMAS“. ■ Patikrinkite alyvos lygį. Jei reikia, pripildykite alyvos bakelį. ■ Iš naujo uždėkite pjūklą grandinę pagal nurodymus skyriuje „KREIPIAMOSIOS JUOSTOS IR GRANDINĖS UŽDĖJIMAS IR KEITIMAS“.
Įprasto darbo metu grandinė atsipalaiduoja ar nukrenta nuo kreipiamosios juostos.	<ul style="list-style-type: none"> ■ Įprastai dirbant su pjūklą, pakyla grandinės temperatūra ir ji išsitempia (atsipalaiduoja). ■ Grandinė nesusikabina su varančiąja žvaigždute. 	<ul style="list-style-type: none"> ■ Įtempkite grandinę pagal nurodymus skyriuje „GRANDINĖS ĮTEMPIMO REGULIAVIMAS“. ■ Iš naujo uždėkite pjūklą grandinę pagal nurodymus skyriuje „KREIPIAMOSIOS JUOSTOS IR GRANDINĖS UŽDĖJIMAS IR KEITIMAS“.
Juosta ir grandinė įkaista bei rūksta.	<ul style="list-style-type: none"> ■ Patikrinkite, ar grandinė nėra pernelyg įtempta. ■ Grandinės alyvos bakelis yra tuščias. ■ Nešvarumai pjovimo juostos griovelyje. 	<ul style="list-style-type: none"> ■ Įtempkite grandinę pagal nurodymus skyriuje „GRANDINĖS ĮTEMPIMO REGULIAVIMAS“. ■ Užpildykite bakelį juostos ir grandinės tepimo priemone. ■ Spauskite pjūklą grandinę į medieną ir stumdyskite pjūklą pirmyn bei atgal, kad pjūvenos pasišalintų.

LT

GARANTIJA

EGO GARANTIJOS TAISYKLĖS

Norėdami sužinoti visas EGO garantijos sąlygas ir nuostatas, apsilankykite interneto svetainėje adresu egopowerplus.eu.

IZLASIET VISUS NORĀDĪJUMUS!



IZLASIET LIETOTĀJA ROKASGRĀMATU

▲ BRĪDINĀJUMS! Lai garantētu drošu un uzticamu izstrādājuma darbību, visi remontdarbi jāveic kvalificētam servisa speciālistam.

▲ BRĪDINĀJUMS! Pirms šī instrumenta lietošanas izlasiet un izprotiet visus šajā lietotāja rokasgrāmatā iekļautos drošības norādījumus, tostarp visus drošības brīdinājuma apzīmējumus, piemēram, „**BĪSTAMI!**”, „**BRĪDINĀJUMS!**” un „**UZMANĪBU!**”. Visu turpmāk uzskaitīto norādījumu neievērošana var izraisīt elektriskās strāvas triecienu, aizdegšanos un/ vai smagus miesas bojājumus.

SAGLABĀJIET VISUS BRĪDINĀJUMUS UN INSTRUKCIJAS TURPMĀKAI ATSAUCEI.

DROŠĪBAS APZĪMĒJUMI

▲ BRĪDINĀJUMS! Jebkuras iekārtas lietošanas laikā acīs var iekļūt svešķermeņi, kas var radīt smagu acu traumu. Pirms elektroinstrumenta ieslēgšanas vienmēr uzvelciet aizsargbrilles vai aizsargbrilles ar sānu aizsargiem un, ja nepieciešams, pilnu sejas aizsargmasku. Iesakām izmantot aizsargmasku ar plašu skata leņķi, ko uzvelk virs parastajām brīlēm, vai arī standarta aizsargbrilles ar sānu aizsargiem.



Drošības brīdinājums



Lietot acu aizsarglīdzekļus



Valkāt galvas aizsarglīdzekļus



Vadotnes sliedes gala atsitiena



Uzmanieties no ķēdes zāga radīta atsitiena un saskares ar sliedes galu



Garantētais skaņas intensitātes līmenis. Trokšņa emisija vidē atbilstoši Eiropas Kopienas direktīvai.



Šis izstrādājums atbilst piemērojamām EK direktīvām.



Līdzstrāva

mm Milimetry
V Spriegums



Lai mazinātu traumu rašanās bīstamību, pirms šī izstrādājuma lietošanas tā lietotājam jāizlasa un jāizprot lietošanas rokasgrāmata.



Lietojiet dzirdes aizsarglīdzekļus



Valkājiet aizsargcimdus



Vienmēr turiet ķēdes zāģi ar abām rokām



Informācija par vadotnes sliedi



Elektrisko izstrādājumu atkritumus nedrīkst izmest kopā ar sadzīves atkritumiem. Nogādāt uz pilnvarotu pārstrādes punktu.



Šis izstrādājums atbilst piemērojamajiem Apvienotās Karalistes tiesību aktiem.

IPX4 Aizsardzība pret ūdens šļakatām

n_0 Apgriezienu skaits bez slodzes

/min. Minūtē

LV

SPECIFIKĀCIJAS

Nominālais spriegums	56V	
Maks. Ķēdes ātrums	20 m/s	
Ķēdes solis	1/4" (6,4 mm)	
Ķēdes mērinstruments	1,1 mm	
Vadotnes sliedes garums	300 mm	
Zāģa ķēdes modelis	AC1204Q (ieteiktais)	
	AC1000Q (saderīgais)	
Vadotnes sliedes modelis	AG1000Q (saderīgais)	
Zāģa ķēdes un vadotnes sliedes komplekta modelis	AK1204Q (ieteiktais)	
Ķēdes eļļas tvertnes ietilpība	150 ml	
Svars (bez akumulatoru bloka, zāģa ķēdes, vadotnes sliedes, sānu pārsega, eļļas un ķēdes pārsega)	1,9 kg	
Ieteicamā darba temperatūra	-15°C-40°C	
Ieteicamā uzglabāšanas temperatūra	-20°C-70°C	
Ieteicamā uzlādes temperatūra	5°C-40°C	
Izmērītais skaņas intensitātes līmenis L_{WA}	97 dB(A) K=3,6 dB(A)	
Trokšņa spiediena līmenis operatora vietā L_{PA}	89 dB(A) K=3 dB(A)	
Garantētais skaņas intensitātes līmenis L_{WA} (saskaņā ar Direktīvu Nr. 2000/14/EK)	101 dB(A)	
Vibrācija a_h	Priekšējais rokturis	2,64 m/s ² K=1,5 m/s ²
	Aizmugurējais rokturis	2,05 m/s ² K=1,5 m/s ²

LV

- Norādītā vibrāciju kopējā vērtība ir izmērīta saskaņā ar standarta pārbaudes metodi un var tikt izmantota, lai salīdzinātu vairākus instrumentus.
- Deklarēto vibrāciju emisijas vērtību var arī lietot iepriekšējai vibrāciju iedarbības novērtēšanai.

PIEZĪME! Vibrāciju emisijas faktiskajā elektroinstrumenta darbināšanas laikā var atšķirties no norādītās vērtības. Lai pasargātu operatoru, lietotājam jāvalkā cimdi un dzirdes aizsarglīdzekļi atbilstoši faktiskajiem darba apstākļiem.

IETAKOJUMA SATURA SARAKSTS (A1 ATT.)

APRAKSTS

PĀRZINIET SAVU ĶĒDES ZĀĢI (A1 att.)

- Vadotnes sliede
- Zāģa ķēde
- Ķēdes atsitiņa bremses lāpstiņa
- Aizmugurējais rokturis
- Priekšējais rokturis
- Eļļas pārbaudes logs
- Eļļas tvertnes vāciņš
- Fiksācijas mēlīte
- Sprūda slēdzis
- Akumulatora atbrīvošanas poga
- Sānu pārsegs
- Sliedes uzgrieznis
- Spriegošanas skrūve
- Eļļošanas atvere
- Ķēdes pārsegs
- Aukliņas pakaramais
- Kombinētā atslēga

MONTĀŽA

SLIEDES UN ĶĒDES UZSTĀDĪŠANA/NOMAIŅA

⚠ BRĪDINĀJUMS! Pirms jebkādas montāžas vai apkopes darbu veikšanas ir jāizņem akumulators. Šī brīdinājuma neievērošana var izraisīt nopietnus miesas bojājumus.

⚠ BRĪDINĀJUMS! Pirms montāžas noregulējiet ķēdes atsitiņa bremses lāpstiņu bremsēšanas stāvoklī.

⚠ BRĪDINĀJUMS! Darbojoties ar sliedi un ķēdi, vienmēr valkājiet cimdus, jo šīs daļas ir asas un var saturēt skabargas.

- Novietojiet ķēdes zāģa instrumentgalvu uz sāniem tā, lai sānu pārsegs būtu vērstis uz augšpusi (B att.).
- Noņemiet sānu pārsegu, pagriežot sliedes uzgriezni pretēji pulksteņrādītāja virzienam.
- Lai atbrīvotu ķēdes spriegojumu, pagrieziet spriegošanas skrūvi pretēji pulksteņrādītāja virzienam.
- Novietojiet zāģa ķēdi cilpā uz līdzenas virsmas un iztaisnojiet visus mezglus (C att.).
- Ievietojiet ķēdes piedziņas locekļus vadotnes sliedes rievā un savienojiet ķēdi nepārtrauktā cilpā vadotnes

sliedes aizmugurē (D att.).

- Pieturiet ķēdi uz vadotnes sliedes un uzlieciet cilpu apkārt zaru zāģa ķēžratam (E1 att.).

D-1	Ķēdes piedziņas posms	E-2	Izlidzināšanas atloki
D-2	Vadotnes sliedes rieva	E-3	Spriegošanas tapa
E-1	Piedziņas ķēžrats	E-4	Stiprinājuma skrūve

PIEZĪME! Uzliekot zāģa ķēdi uz vadotnes sliedes, pārliecinieties, ka pēc vadotnes sliedes uzstādīšanas uz zāģa sakrīt griezēja ikona un rotācijas virziena bultiņas, kas norādīta uz zāģa korpusa (E1 att.). Ja tās ir vērstas pretējos virzienos, vēlreiz uzstādiet zāģa ķēdi uz vadotnes sliedes tā, lai bultiņas būtu vērstas vienā virzienā (E2 att.).

- Novietojiet vadotnes sliedi uz uzstādīšanas virsmas, pabīdot vadotnes sliedes spraugu virs izlidzināšanas atlokiem. Pārliecinieties, vai vadotnes sliede ir pareizi novietota virs stiprinājuma skrūves un spriegošanas tapas.
- Uzlieciet atpakaļ sānu pārsegu uz ķēdes zāģa korpusa (E3 att.) un pievelciet sliedes uzgriezni līdz galam.

PIEZĪME! Uzstādīšanas un apkopes darbu laikā no vadotnes sliedes apakšas var pacelties metāla plāksne (F att.). Ja tā notiek, rūpīgi izīrīet spraugu starp šo metāla elementu un korpusu un ievietojiet metāla plāksni atpakaļ, lai tā atrastos **vienā līmenī ar korpusu**. Ja metāla plāksne netiks noīrīta un pareizi ievietota, vadotnes sliedei būs novirze.

- Pagrieziet ķēdi ar roku, lai pārbaudītu, vai ķēde ir pareizi salikta bez piestiprināšanas. Ja tas tā nav, vēlreiz samontējiet ķēdi un sliedi.

PIEZĪME! Lai paildzinātu vadotnes sliedes kalpošanas laiku, ik pa laikam apgrieziet sliedi otrādi.

ĶĒDES SPRIEGOJUMA REGULĒŠANA

- Pirms ķēdes spriegojuma regulēšanas apturiet zāģa motoru un izņemiet akumulatora bloku. Lai noregulētu ķēdes spriegojumu (F att.), pagrieziet spriegošanas skrūvi pulksteņrādītāja virzienā vai pretēji pulksteņrādītāja virzienam, līdz ķēde ir stingri nostiepta uz vadotnes sliedes un piedziņas posmi atrodas vadotnes sliedes rieva.
- Auksta ķēde ir pareizi nospriegota tad, ja tā nenokarājas vadotnes sliedes apakšpusē un cieši pieguļ, taču to var kustināt ar roku bez saķeršanās. Ķēde jāpārspriego ik reizi, kad piedziņas locekļu plakanās virsmas neieguļ sliedes rieva.

- Parasti zāģa darbības laikā ķēdes temperatūra palielinās. Pareizi nospriegotas uzsilušas ķēdes piedziņas locekļi karāsies aptuveni 1-2 mm ārpus sliedes rievas (G att.).

PIEZĪME! Jaunām ķēdēm ir tendence stiepties, tādēļ bieži pārbaudiet to spriegojumu un, ja nepieciešams, atkārtoti nospriegojiet.

PIEZĪME! Ķēde, kura tika nospriegota, kamēr tā bija silta, pēc atdzišanas var būt pārāk cieši savilkta. Pirms nākamās lietošanas reizes pārbaudiet aukstās ķēdes spriegojumu.

EKSPLUATĀCIJA

⚠ BRĪDINĀJUMS! Saglabājiet modrību visu izstrādājuma lietošanas laiku. Neaizmirstiet, ka pat mirklis neuzmanības var izraisīt nopietnu traumu.

⚠ BRĪDINĀJUMS! Nelietojiet palīgierīces vai piederumus, ko nav ieteicis šī izstrādājuma ražotājs. Šādu neapstiprinātu palīgierīču vai piederumu lietošana var radīt nopietnus ievainojumus.

⚠ BRĪDINĀJUMS! Lai novērstu nejašu ieslēgšanos, kas var radīt smagas traumas, saliekot instrumentu, kā arī veicot regulēšanas, tīrīšanas darbus vai, kad to nelietojat, vienmēr izņemiet no tā akumulatoru bloku.

Pirms katras lietošanas pārbaudiet visu ierīci, vai tā nav bojāta, vai tai nav trūkstošu vai atskrūvējušos daļu, piemēram, skrūves, uzgriežņi, bultskrūves, vāciņi utt. Stingri pievelciet visus stiprinājumus un vāciņus un nedarbiniet šo ierīci, līdz visas trūkstošās vai bojātās daļas nav nomainītas.

LIETOJUMS

Šo izstrādājumu var izmantot kokmateriāla pamatgriešanai.

⚠ BRĪDINĀJUMS! Nestrādājiet ar šo ķēdes zāģi kokā, ja vien neesat īpaši apmācīts to darīt. Darbs ar ķēdes zāģi kokā bez atbilstošas apmācības var palielināt nopietnu miesas bojājumu risku.

PIEZĪME! Ierīci drīkst izmantot tikai aprakstītajam mērķim. Izmantošana jebkādā citā veidā ir uzskatāma par neatbilstošu.

SLIEDES UN ĶĒDES SMĒRVIELAS UZPILDĪŠANA

⚠ BRĪDINĀJUMS! Nesmēķējiet, kā arī nenovietojiet uguni vai atklātu liesmu eļļas vai ķēdes zāģa tuvumā. Eļļa var izšļakstīties un izraisīt ugunsgrēku.

PIEZĪME! Iegādes brīdī ķēdes zāģī nav iepildīta eļļa. Pirms lietošanas tvērtnei noteikti ir jāiepilda eļļa. Ja eļļas tvērtne ir pietiekami daudz eļļas, darbības laikā ķēde tiek

LV

automātiski ieeļļota ar ķēdes eļļu.

1. Novietojiet ķēdes zāģi uz sāniem tā, lai tvērtens vāciņš būtu vērsts uz augšu.
2. Lai eļļa tvērtē neiekristu netīrumi, notīriet eļļas tvērtens vāciņu un vietu ap to.
3. Paceliet pusapaļa plāksni taisni uz augšu un pagrieziet eļļas tvērtens vāciņu pretēji pulksteņrādītāja kustības virzienam, lai to noņemtu (H att.).
4. Uzmanīgi iepildiet slīdes un ķēdes eļļu tvērtē. Aizpildiet līdz aizpildīšanas kakliņa apakšējai daļai.
5. Noslaukiet visu notecējušo eļļu un uzlieciet atpakaļ vāciņu.

PIEZĪME! Regulāri pārbaudiet eļļas līmeni un piepildiet, kad eļļas līmenis nokrītas zem minimālās atzīmes līnijas. Nekad nedarbiniet ķēdes zāģi, ja nav redzama eļļa.

AUKLIŅAS CILPIŅAS IZMANTOŠANA (H att.)

▲ BRĪDINĀJUMS! Ja piekarat ķēdes zāģi pie instrumentu jostas, vienmēr uzlieciet zāģa ķēdei un vadotnes slīdei ķēdes apvalku. Zāģa ķēde ir asa un var radīt nopietnas traumas.

▲ BRĪDINĀJUMS! Pārliedcinieties, ka aukliņa ir pietiekami izturīga, lai izturētu ķēdes zāģa un akumulatora kopējo svaru. Ķēdes zāģim nokrītot, varat gūt nopietnas traumas un var rasties līpašuma bojājumi.

AKUMULATORU BLOKA IEVIETOŠANA/IZŅEMŠANA

Izmantojiet kopā tikai ar A2 attēlā norādītajiem EGO akumulatoru blokiem un lādētājiem.

Pirms pirmās lietošanas reizes akumulators ir pilnībā jāuzlādē.

LV

Ievietošana

Salāgojiet akumulatora izciļņus ar stiprinājuma rievām un iespiediet akumulatoru bloku, līdz ir dzirdama „klikšķa” skaņa (I att.).

Izņemšana

Nospiediet akumulatora atbrīvošanas pogu un izņemiet akumulatoru bloku (J att.).

▲ BRĪDINĀJUMS! Lai griešanas laikā saglabātu līdzsvaru, izmantojiet tikai kopā ar akumulatoru BA1400/BA1400T.

ĶĒDES ZĀĢA IESLĒGŠANA/IZSLĒGŠANA

PIEZĪME! Pirms ķēdes zāģa ieslēgšanas pārbaudiet eļļas līmeni, zāģa spriegojumu, zāģa zobu asumu un atsitiena bremzes lāpstiņu darbību. Tāpat ievērojiet pareizu stāju un ieturiet atbilstošu attālumu no zemes.

Iedarbināšana (K att.)

1. Pavelciet ķēdes atsitiena bremzes lāpstiņu uz priekšējā roktura pusi līdz darba pozīcijai (K att.).
2. Vienmēr satveriet priekšējo rokturi ar **kreiso** roku un aizmugurējo rokturi ar **labo** roku.

▲ BRĪDINĀJUMS! Lai izvairītos no traumām, vienmēr turiet ķēdes zāģi ar labo roku, satverot aiz aizmugurējā roktura satvēriena daļas (L att.).

3. Lai ieslēgtu zāģi, pārvietojiet bloķēšanas sviru uz priekšu un pēc tam nospiediet ieslēgšanas slēdzi (L att.).

L-1	Satvēriena daļa
-----	-----------------

4. Atbrīvojiet atbloķēšanas mēlīti un turpiniet spiest sprūda slēdzi, lai instruments darbotos nepārtraukti.
5. Jo vairāk tiek nospiest sprūda slēdzis, jo lielāks ir ķēdes ātrums. Pielāgojiet veicamajiem darbiem nepieciešamo ātrumu.

▲ BRĪDINĀJUMS! Nemēģiniet iedarbināt zāģi, kamēr tā ķēde atrodas griezumā.

Apturēšana

1. Lai apturētu ķēdes zāģi, vispirms pārvietojiet to projām no griešanas zonas un pēc tam atlaidiet sprūda slēdzi.
2. Pabīdīet ķēdes atsitiena bremzes lāpstiņu uz priekšu līdz bremzēšanas stāvoklim, lai aktivizētu ķēdes bremzi (K att.).

▲ BRĪDINĀJUMS! Vienmēr darba pārtraukumos un pēc darbu pabeigšanas izņemiet akumulatoru bloku no ierīces.

PAREIZS ROKTURU SATVĒRIENS (M ATT.)

- Lai nodrošinātu maksimālu satvērienu un aizsardzību, valkājiet neslīdošus cimdus.
- Zāģim atrodoties uz stabilas, līdzenas virsmas, stingri satveriet to ar abām rokām.
- Vienmēr satveriet priekšējo rokturi ar kreiso roku un aizmugurējo rokturi ar labo roku.
- Pirkstiem jāaptver rokturis tā, lai īkšķis atrastos zem priekšējā roktura.

▲ BRĪDINĀJUMS! Nekad neturiet zāģi satvērienā, kur vadošā ir kreisā roka (apgrieztais satvēriens), kā arī nestāviet tā, lai kāda jūsu ķermeņa daļa vai roka varētu atrasties virs ķēdes līnijas.

▲ BRĪDINĀJUMS! Nespiediet sprūda slēdzi ar kreiso roku un turiet priekšējo rokturi ar labo roku. Darbojoties ar ķēdes zāģi, nekad neļaujiet nevienai ķermeņa daļai atrasties ķēdes līnijā (N att.).

PAREIZA STĀJA ZĀĢĒŠANAS LAIKĀ (O ATT.)

- Abām kājām jāatrodas stabili uz zemes, svaram esot vienlīdzīgi izdalītam starp tām.
- Kreisajai rokai jābūt taisnai, elkonim nofiksētam. Tas palīdz izturēt atsitiena radītās ietekmes spēku.
- Jūsu ķermenim vienmēr jāatrodas ķēdes līnijas kreisajā pusē.

IZPLATĪTĀKIE GRIEŠANAS PAŅĒMIENI

▲ BRĪDINĀJUMS! Kad dzinējs darbojas, vienmēr pārliecinieties, ka stāvat pareizi un stingri turat zāģi ar abām rokām.

▲ BRĪDINĀJUMS! Kad zāģēšanas laikā zāģa ķēde tiek apturēta saspiešanas dēļ, atlaidiet sprūda slēdzi, noņemiet zāģa ķēdi un vadotnes sliedi no koka un pēc tam no jauna ieslēdziet zāģi.

▲ BRĪDINĀJUMS! Neraujiet zāģa ķēdi ar rokām, kad tajā ir iekļērušās zāģskaidas. Varat gūt nopietnus ievainojumus, ja ķēde sāk nejauši darboties. Piespiediet zāģa ķēdi pret koku, kustiniet ķēdes zāģi uz priekšu un aizmuguri, lai atbrīvotos no grūžiem. Vienmēr pirms tīrīšanas izņemiet akumulatoru. Darbojoties ar zāģa ķēdi, valkājiet augstākās aizsardzības pakāpes cimdus.

▲ BRĪDINĀJUMS! Nekad nedarbiniet ķēdes zāģi, ja tas ir saskarē ar koku. Pirms pietuviniet zāģi kokam ļaujiet tam sasniegt pilnu ātrumu.

▲ BRĪDINĀJUMS! Šis ķēdes zāģis ar augšējo rokturi nav paredzēts lietošanai uz zemes, tāpēc šajā rokasgrāmatā nav ietverti norādījumi par koku gāšanu, ciršanu un zaru griešanu.

▲ BRĪDINĀJUMS! Šīs instrukcijas attiecas uz šo ķēdes zāģi ar augšējorokturi, kas paredzēts tikai un vienīgi griešanai kokā, ko veic īpaši apmācīti sertificēti kokapstrādes pakalpojumu speciālisti.

▲ BRĪDINĀJUMS! Bloķēšana var izraisīt traumas. To drīkst veikt tikai apmācīta persona.

▲ BRĪDINĀJUMS! Strādājot ar šo zāģi pirmo reizi, lietotājiem ir jāveic izmēģinājuma griezieni balķī uz zāģēšanas steķa vai balķu turētāja.

▲ BRĪDINĀJUMS! Nezaģējiet, atrodoties kokā, ja ārā ir stiprs vējš.

▲ BRĪDINĀJUMS! Pirms darba uzsākšanas pārliecinieties, ka zaru krišanas zonā neatrodas neviena persona.

▲ BRĪDINĀJUMS! Nekad nestāviet zāģējamā materiāla krišanas zonā un neturiet tajā zāģi.

▲ UZMANĪBU! Pirms darba uzsākšanas kokā pārliecinieties, ka akumulators ir pilnībā uzlādēts.

Zaru apgriešana (P att.)

Ievērojiet zemāk sniegtos norādījumus par to, kā novērst koku vai krūmu mizas bojāšanu. Nezaģējiet virzienā uz priekšu un atpakaļ.

1. Pirmajam zāģējumam nav jābūt dziļam (1/3 no zara caurmēra), un tas ir jāveic no zara apakšpusēs galvenā zara tuvumā vai pie stumbra.
2. Otrais zāģējums jāveic no zara augšpusēs, tālāk no stumbra nekā pirmais zāģējums. Turpiniet zāģēšanu cauri zaram, līdz zars sāk noliekties no koka. Sagatavojoties līdzsvarot instrumenta svaru un pirms griešanas pabeigšanas pārliecinieties, ka tā svars neatbalstās uz jums.
3. Beigās zaru pārzāģējiet līdztekus stumbram.

Griešana atsevišķos blokos

Pirms sagriešanas blokos noņemiet no kokmateriāla, kurā paredzēts veikt griezumus, atlobjušos mizu, izvelciet naglas, skavas un stieples.

Robojošs aizzāģējums

Perpendikulāri koka krišanas virzienam iezāģējiet robu līdz 1/4 no koka diametra, kā tas parādīts Q attēlā. Vispirms veiciet apakšējo horizontālo robojošo iezāģējumu. Tas palīdzēs novērst zāģa ķēdes vai vadotnes sliedes iespiešanu otrā roba iezāģēšanas laikā.

Q-1	Krišanas virziens	Q-3	Gāšanas aizzāģējums
Q-2	Iedobums	Q-4	Enģe

Gāšanas aizzāģējums

- Veiciet gāšanas aizzāģējumu tādā pašā augstumā, kādā veicat horizontālo iegriezumu, kā tas parādīts Q attēlā. Saglabājiet gāšanas aizzāģējumu paralēli horizontālajam robojošajam iezāģējumam. Gāšanas aizzāģējumu pretējā koka pusē veiciet tik dziļi, lai atlikušais koka daudzums varētu tikt izmantots kā enģe. Koka enģe novērs koka sagriešanos un krišanu nepareizajā virzienā. Neizzāģējiet cauri enģei.
- Kad gāšanas aizzāģēšana pietuvojas enģei, kokam ir jāsāk krist. Ja pastāv kaut mazākā iespēja, ka koks varētu nekrist paredzētajā virzienā vai tas varētu sašūpoties uz aizmuguri un iespiest zāģa ķēdi, pārtrauciet zāģēšanu pirms gāšanas aizzāģējums otrā koka pusē ir pabeigts un izmantojiet koka, plastmasa vai alumīnija ķīli, lai atvērtu iezāģējumu un nogāztu koku vēlamajā krišanas virzienā.
- Kad koka bloks sāk krist, izņemiet ķēdes zāģi no

LV

iezāgētās līnijas, apturiet motoru un aktivizējiet ķēdes bremzi. Uzmaniēties no krītošajiem zariem un skatieties, kur liekat kājas.

APKOPE

▲ BRĪDINĀJUMS! Veicot ierīces apkopi, izmantojiet tikai identiskas rezerves daļas. Jebkuru citu daļu izmantošana var radīt apdraudējumu vai izstrādājuma bojājumus. Lai garantētu drošu un uzticamu izstrādājuma darbību, visi remontdarbi jāveic kvalificētam servisa speciālistam.

▲ BRĪDINĀJUMS! Lai novērstu nopietnu traumu gūšanas risku, pirms ķēdes zāģa pārbaudīšanas, tīrīšanas vai apkopes darbu veikšanas izņemiet akumulatoru bloku. Ar akumulatoru darbināms instruments, kurā ir ievietots akumulatoru bloks, vienmēr ir ieslēgts un var nejausi sākt darboties.

▲ BRĪDINĀJUMS! Tīrot ķēdes zāģi, NEIEMĒRCIET to ūdenī vai kādā citā šķidrumā.

▲ BRĪDINĀJUMS! Nekad neļaujiet bremžu šķidrumiem, degvielai, uz naftu bāzētiem izstrādājumiem, iestrādes eļļām u.tml. nonākt saskarē ar plastmasa daļām. Ķīmiskās vielas var radīt bojājumus, kā arī mazināt plastmasas detaļu izturību vai iznīcināt tās, kā rezultātā varat gūt smagas traumas.

TĪRĪŠANA

■ Pēc katras lietošanas reizes ar mīkstu suku iztīriet no ķēdes un vadslīdes grūzus. Noslaukiet ķēdes zāģa virsmu ar tīru drānu, kas samitrināta ar maigu ziepju šķīdumu.

■ Noņemiet sānu pārsegu un pēc tam ar mīkstu suku notīriet grūzus no vadotnes slīdes, zāģa ķēdes, ķēzrāta un sānu pārsega.

■ Vienmēr, kad maināt augstgrieža ķēdi, iztīriet koka skaidas, zāģskaidas un netīrumus no vadslīdes rievās.

VADSLĪDES APKOPE

Kad vadotnes slīdei rodas nodiluma pazīmes, demontējiet to no ķēdes zāģa instrumentgalvas, apgrieziet otrādi un uzlieciet atpakaļ (R1 att.). Šādā veidā nodilums tiks sadalīts, lai maksimāli palielinātu vadotnes slīdes kalpošanas laiku.

Katrā lietošanas dienā slīde jānotīra un jāpārbauda, vai nav redzamas nodiluma pazīmes un bojājumi. Slīdes līniju atstarpošanās un atskabargu veidošanās ir normāls slīdes nodilšanas process. Šādas nepilnības jānolīdzina ar vīli tiklīdz tās tiek konstatētas. Slīdi, kurai ir kāds no šiem bojājumiem, jānomaina:

- nodilums slīdes līnijās, kuras ļauj uzlikt ķēdi sāniski;
- saliekta vadotnes slīde;
- ieplaisājušas vai saplīsušas slīdes līnijas;
- izpletušās slīdes līnijas.

Turklāt vadotnes slīdes galā ir ķēzrats (R2 att.). Šis ķēzrats katru nedēļu jāieeļļo ar eļļas šļirci, lai pagarinātu vadotnes slīdes kalpošanas ilgumu. Izmantojot eļļas šļirci, iknedēļu veiciet ieeļļošanu ar ķēdes eļļu caur eļļošanas atveri (R3 att.). Pagrieziet vadotnes slīdi un pārliecinieties, vai eļļošanas atverēs un ķēdes rievā nav grūzu.

R-1	Ķēzrats vadotnes slīdes galā
R-2	Eļļošanas atvere

TRANSPORTĒŠANA UN UZGLABĀŠANA

- Neuzglabājiet vai netransportējiet ķēdes zāģi, kamēr tas darbojas. Vienmēr pirms novietošanas glabāšanā vai transportēšanas izņemiet akumulatoru.
- Vienmēr pirms ķēdes zāģa novietošanas glabāšanā vai transportēšanas uzlieciet vadotnes slīdei un ķēdei pārsegu. Rīkojieties uzmanīgi, lai izvairītos no asajiem ķēdes zobiem.
- Vienmēr nēsājiet izstrādājumu, turot aiz priekšējā roktura.
- Sargiet produktu no jebkādiem spēcīgiem triecieniem vai vibrācijām, kas var rasties, pārvadājot to ar transportlīdzekli.
- Pirms novietošanas uzglabāšanā rūpīgi notīriet ķēdes zāģi un iztukšojiet eļļas tvertni. Uzglabājiet ķēdes zāģi iekšstelpās, sausā un aizslēgtā vai bērniem nepieejamā vietā.
- Sargājiet no kodīgām vielām, piemēram, dārzā lietojamajām ķīmikālijām un atledošanas sāls.

APKĀRTĒJĀS VIDES AIZSARDZĪBA



Neutilizējiet elektrisko aprīkojumu, izlietoto akumulatoru un lādētāju sadzīves atkritumos!

Nogādājiet šo izstrādājumu uz pilnvarotu pārstrādes punktu un sagatavojiet atkritumu šķirošanai. Elektriskie instrumenti jānogādā videi nekaitīgā pārstrādes rūpnīcā.

PROBLĒMU NOVĒRŠANA

▲ BRĪDINĀJUMS! Vienmēr aizsargājiet savas rokas, valkājot biezus cimdus zāģa ķēdes apkopes darbu veikšanas laikā. Vienmēr pirms ķēdes zāģa apkopes darbu veikšanas vai transportēšanas izņemiet akumulatoru.

PROBLĒMA	CĒLONIS	RISINĀJUMS
Nedarbojas motors.	<ul style="list-style-type: none"> ■ Ķēdes zāģī nav ievietots akumulators. ■ Starp zāģi un akumulatoru bloku nav elektriskā savienojuma. ■ Akumulatoru bloks ir izlādējies. ■ Akumulators vai ķēdes zāģis ir pārāk karsts. ■ Pirms ieslēgšanas slēdža nospiešanas nav nospiesta bloķēšanas mēlīte. ■ Ieslēgta ķēdes bremze. ■ Kokā iestrēgusi zāģa ķēde. ■ Gruži slīdes rievā. ■ Gruži sānu pārsegā. ■ Tiek izmantots 4,0 Ah vai jaudīgāks Ah akumulators. 	<ul style="list-style-type: none"> ■ Ievietojiet ķēdes zāģi akumulatoru. ■ Izņemiet akumulatoru bloku, pārbaudiet kontaktus un ievietojiet atpakaļ. ■ Uzlādējiet akumulatoru bloku. ■ Ļaujiet akumulatora blokam vai ķēdes zāģim atdzist, līdz temperatūra nokrītas līdz ieteicamajam darba temperatūras diapazonam. ■ Nospiediet un turiet nospiestu bloķēšanas mēlīti, tad nospiediet palaišanas slēdzi, lai ieslēgtu ķēdes zāģi. ■ Atvelciet ķēdes atsitienu bremzes lāpstiņu priekšējā roktura virzienā darba stāvoklī. ■ Atlaidiet sprūda slēdzi, noņemiet zāģa ķēdi un vadotnes joslu no koka un pēc tam no jauna ieslēdziet zāģi. ■ Piespiediet zāģa ķēdi pret koku, kustiniet ķēdes zāģi uz priekšu un aizmuguri, lai atbrīvotos no gružiem. ■ Izņemiet akumulatoru, pēc tam noņemiet sānu pārsegu un iztīriet gružus. ■ Izmantojiet tikai ar EGO 2,5 Ah BA1400 un BA1400T akumulatoriem.
Ķēdes zāģis darbības laikā negaidīti apstājas.	<ul style="list-style-type: none"> ■ Ķēdes zāģa pārslodze. ■ Akumulators vai ķēdes zāģis ir pārāk karsts. ■ Kokā iestrēgusi zāģa ķēde. 	<ul style="list-style-type: none"> ■ Samaziniet slodzi. ■ Ļaujiet akumulatora blokam vai ķēdes zāģim atdzist, līdz temperatūra nokrītas līdz ieteicamajam darba temperatūras diapazonam. ■ Atlaidiet sprūda slēdzi, noņemiet zāģa ķēdi un vadotnes joslu no koka un pēc tam no jauna ieslēdziet zāģi.
Motors darbojas, bet ķēde negriežas.	<ul style="list-style-type: none"> ■ Ķēde neiedarbina piedziņas ķēzratu. 	<ul style="list-style-type: none"> ■ Izņemiet akumulatora bloku, uzstādiet atpakaļ ķēdi, pārlicinoties, ka ķēdes piedziņas posmi pilnībā atrodas uz ķēzrata.
Nedarbojas ķēdes bremze.	<ul style="list-style-type: none"> ■ Gruži kavē pilnīgu ķēdes atsitienu bremzes lāpstiņas kustību. ■ Iespējami ķēdes bremzes darbības traucējumi. 	<ul style="list-style-type: none"> ■ Iztīriet gružus no ārējā ķēdes bremzes mehānisma. ■ Nekavējoties pārtrauciet lietot ķēdes zāģi! Ja nepieciešams veikt labošanas darbus, sazinieties ar EGO klientu apkalpošanas nodāju.

LV

PROBLĒMA	CĒLONIS	RISINĀJUMS
<p>Ķēdes zāģis nezāģē pareizi.</p>	<ul style="list-style-type: none"> ■ Nepietiekams ķēdes spriegums. ■ Trula ķēde. ■ Ķēde uzstādīta uz otru pusi. ■ Nodilusi ķēde. ■ Sausa vai pārāk izstiepta ķēde. ■ Ķēde neatrodas sliedes rievā. 	<ul style="list-style-type: none"> ■ Atkārtoti noregulējiet ķēdes spriegojumu, kā aprakstīts nodaļā: „ĶĒDES SPRIEĢOJUMA REGULĒŠANA”. ■ Uzasiniet ķēdi. ■ Uzstādiel zāģa ķēdi, ievērojot nodaļā „SLIEDES UN ĶĒDES UZSTĀDĪŠANA/NOMAIŅA” sniegtās norādes. ■ Nomainiet ķēdi, kā aprakstīts nodaļā: „SLIEDES UN ĶĒDES UZSTĀDĪŠANA/NOMAIŅA”. ■ Pārbaudiet eļļas līmeni. Ja nepieciešams, uzpildiet tvertnē eļļu. ■ Uzstādiel atpakaļ zāģa ķēdi, kā aprakstīts nodaļā: „SLIEDES UN ĶĒDES UZSTĀDĪŠANA/NOMAIŅA”.
<p>Normālas lietošanas laikā ķēde kļūst vaļīga vai nokrīt no vadotnes sliedes.</p>	<ul style="list-style-type: none"> ■ Ķēde kļūst vaļīga, palielinoties ķēdes temperatūrai parastas zāģa darbības laikā. ■ Ķēde neiedarbina piedziņas ķēzratu. 	<ul style="list-style-type: none"> ■ Noregulējiet ķēdes spriegojumu, ievērojot sadaļā „ĶĒDES SPRIEĢOJUMA REGULĒŠANA” sniegtās norādes. ■ Uzstādiel atpakaļ zāģa ķēdi, kā aprakstīts nodaļā: „SLIEDES UN ĶĒDES UZSTĀDĪŠANA/NOMAIŅA”.
<p>Sliede un ķēde ir karstas un dūmo.</p>	<ul style="list-style-type: none"> ■ Pārbaudiet, vai ķēde nav pārāk cieši nospriegota. ■ Ķēdes eļļas tvertne ir tukša. ■ Gruži vadotnes sliedes rievā. 	<ul style="list-style-type: none"> ■ Noregulējiet zāģa ķēdes spriegojumu, ievērojot sadaļā „ĶĒDES SPRIEĢOJUMA REGULĒŠANA” sniegtās norādes. ■ Piepildiet tvertni ar sliedes un ķēdes smērvielu. ■ Piespiediet zāģa ķēdi pret koku, kustiniet ķēdes zāģi uz priekšu un aizmuguri, lai atbrīvotos no gruziem.

LV

GARANTĪJA

EGO GARANTĪJAS POLITIKA

Lūdzam apmeklēt tīmekļa vietni egopowerplus.eu, kur pieejama pilna EGO garantijas politikas noteikumu un nosacījumu versija.

ΔΙΑΒΑΣΤΕ ΟΛΕΣ ΤΙΣ ΟΔΗΓΙΕΣ!



ΔΙΑΒΑΣΤΕ ΤΟ ΕΓΧΕΙΡΙΔΙΟ ΧΡΗΣΗΣ

⚠️ ΠΡΟΕΙΔΟΠΟΙΗΣΗ: Προκειμένου να διασφαλιστεί η ασφάλεια και η αξιοπιστία, όλες οι επισκευές πρέπει να διενεργούνται από εξειδικευμένο τεχνικό του σέρβις.

⚠️ ΠΡΟΕΙΔΟΠΟΙΗΣΗ: Βεβαιωθείτε ότι έχετε διαβάσει και κατανοήσει όλες τις οδηγίες ασφάλειας στο παρόν εγχειρίδιο χρήσης, συμπεριλαμβανομένων όλων των συμβόλων ασφάλειας, όπως «**ΚΙΝΔΥΝΟΣ**», «**ΠΡΟΕΙΔΟΠΟΙΗΣΗ**» και «**ΠΡΟΣΟΧΗ**», προτού χρησιμοποιήσετε αυτό το ηλεκτρικό εργαλείο. Η μη τήρηση όλων των παρακάτω οδηγιών μπορεί να οδηγήσει σε ηλεκτροπληξία, πυρκαγιά και/ή σοβαρό τραυματισμό.

ΦΥΛΑΞΤΕ ΟΛΕΣ ΤΙΣ ΠΡΟΕΙΔΟΠΟΙΗΣΕΙΣ ΚΑΙ ΤΙΣ ΟΔΗΓΙΕΣ ΓΙΑ ΜΕΛΛΟΝΤΙΚΗ ΑΝΑΦΟΡΑ.

ΣΥΜΒΟΛΑ ΑΣΦΑΛΕΙΑΣ

⚠️ ΠΡΟΕΙΔΟΠΟΙΗΣΗ: Η λειτουργία οποιουδήποτε μηχανήματος μπορεί να προκαλέσει την εκτόξευση ξένων αντικειμένων στα μάτια σας, με αποτέλεσμα σοβαρή βλάβη στα μάτια. Προτού ξεκινήσετε τη χρήση του ηλεκτρικού εργαλείου, φοράτε πάντα προστατευτικά γυαλιά ή γυαλιά με πλευρική προστασία και, εφόσον απαιτείται, πλήρη προστατευτική προσωπίδα. Συνιστούμε μια προσωπίδα ασφαλείας ευρείας όρασης, για χρήση πάνω από γυαλιά ή τα συνήθη προστατευτικά γυαλιά με πλευρική προστασία.



Προειδοποίηση ασφαλείας



Προκειμένου να μειωθεί ο κίνδυνος τραυματισμού, ο χρήστης πρέπει να διαβάσει και να κατανοήσει το εγχειρίδιο χρήσης προτού να χρησιμοποιήσει αυτό το προϊόν.



Φοράτε προστατευτικά γυαλιά



Φοράτε προστατευτικά ακοής



Φοράτε προστασία κεφαλής



Φοράτε προστατευτικά γάντια



Λάκτισμα ακμής οδηγητικής μπάρας



Χρησιμοποιείτε το αλυσοπρίονο πάντα και με τα δύο χέρια



Λαμβάνετε υπόψη το οπισθολάκτισμα του αλυσοπρίονου και αποφεύγετε την επαφή με την ακμή οδηγητικής μπάρας



Πληροφορίες για την οδηγητική μπάρα



Εγγυημένη στάθμη ακουστικής ισχύος. Εκπομπές θορύβου στο περιβάλλον σύμφωνα με την οδηγία της Ευρωπαϊκής Ένωσης.



Τα απόβλητα ειδών ηλεκτρικού και ηλεκτρονικού εξοπλισμού δεν πρέπει να απορρίπτονται στα οικιακά απορρίμματα. Πρέπει να παραδίδονται σε εξουσιοδοτημένη μονάδα ανακύκλωσης.



Αυτό το προϊόν συμμορφώνεται με τις εφαρμοστέες οδηγίες της ΕΚ.



Αυτό το προϊόν συμμορφώνεται με την ισχύουσα νομοθεσία του Η.Β.



Συνεχές ρεύμα

IPX4

Διαθέτει προστασία από πισίλισμα νερού

mm Χιλιοστό

n₀ Ταχύτητα χωρίς φορτίο

V Τάση

./min Ανά λεπτό

GR

ΤΕΧΝΙΚΕΣ ΠΡΟΔΙΑΓΡΑΦΕΣ

Όνομαστική τάση	56 V	
Μέγ. Ταχύτητα αλυσίδας	20 m/s	
Βήμα αλυσίδας	1/4" (6,4 mm)	
Ένδειξη αλυσίδας	1,1 mm	
Μήκος οδηγητικής μπάρας	300 mm	
Μοντέλο αλυσίδας αλυσοπριονίου	AC1204Q (Προτεινόμενο)	
	AC1000Q (Συμβατό)	
Μοντέλο οδηγητικής μπάρας	AG1000Q (Συμβατό)	
Μοντέλο αλυσίδας πριονιού & κιτ μπάρας	AK1204Q (Προτεινόμενο)	
Χωρητικότητα ρεζερβουάρ λαδιού αλυσίδας	150 ml	
Βάρος (χωρίς συστοιχία μπαταριών, αλυσίδα, οδηγητική μπάρα, πλευρικό κάλυμμα, προστατευτικό λαδιού και αλυσίδας)	1,9 kg	
Συνιστώμενη θερμοκρασία λειτουργίας	-15°C-40°C	
Συνιστώμενη θερμοκρασία αποθήκευσης	-20°C-70°C	
Συνιστώμενη θερμοκρασία φόρτισης	5°C-40°C	
Μετρούμενη στάθμη ακουστικής ισχύος L_{WA}	97 dB(A) K = 3,6 dB(A)	
Στάθμη ηχητικής πίεσης στη θέση εργασίας L_{PA}	89 dB(A) K = 3 dB(A)	
Εγγυημένη στάθμη ηχητικής ισχύος L_{WA} (κατά 2000/14/ΕΚ)	101 dB(A)	
Κραδασμοί a_h	Μπροστινή χειρολαβή	2,64 m/s ² K=1,5 m/s ²
	Πίσω χειρολαβή	2,05 m/s ² K=1,5 m/s ²

- Η δηλωθείσα συνολική τιμή κραδασμών έχει μετρηθεί σύμφωνα με πρότυπη μέθοδο δοκιμής και μπορεί να χρησιμοποιηθεί για τη σύγκριση ενός εργαλείου με κάποιο άλλο.
- Η αναφερόμενη συνολική τιμή κραδασμών μπορεί να χρησιμοποιηθεί επίσης ως προκαταρκτική αξιολόγηση έκθεσης.

ΕΙΔΟΠΟΙΗΣΗ: Η μετάδοση της δόνησης κατά τη διάρκεια

της πραγματικής χρήσης του ηλεκτρικού εργαλείου μπορεί να διαφέρει από τη δηλωθείσα τιμή στην οποία χρησιμοποιείται το εργαλείο. Για την προστασία του χειριστή, πρέπει να χρησιμοποιούνται γάντια και ωτοασπίδες υπό πραγματικές συνθήκες χρήσης.

ΚΑΤΑΛΟΓΟΣ ΕΞΑΡΤΗΜΑΤΩΝ ΣΥΣΚΕΥΑΣΙΑΣ (ΕΙΚ. Α1)

ΠΕΡΙΓΡΑΦΗ

ΓΝΩΡΙΣΤΕ ΤΟ ΑΛΥΣΟΠΡΙΟΝΟ ΣΑΣ (Εικ. Α1)

1. Οδηγητική μπάρα
2. Αλυσίδα πριονιού
3. Πτερύγιο φρένου οπισθολακτίσματος αλυσίδας
4. Πίσω λαβή
5. Μπροστινή λαβή
6. Θυρίδα επιθεώρησης λαδιού
7. Καπάκι ρεζερβουάρ λαδιού
8. Γλωττίδα ασφάλισης
9. Διακόπτης-σκανδάλη
10. Κομπι αποδέσμευσης μπαταρίας
11. Πλευρικό κάλυμμα
12. Παξιμάδι μπάρας
13. Βίδα τάνυσης
14. Οπή λίπανσης
15. Θήκη αλυσίδας
16. Διάταξη ανάρτησης αναδέτη
17. Συνδυαστικό κλειδί

ΣΥΝΑΡΜΟΛΟΓΗΣΗ

ΣΥΝΑΡΜΟΛΟΓΗΣΗ/ΑΝΤΙΚΑΤΑΣΤΑΣΗ ΤΗΣ ΜΠΑΡΑΣ ΚΑΙ ΤΗΣ ΑΛΥΣΙΔΑΣ

⚠ ΠΡΟΕΙΔΟΠΟΙΗΣΗ: Πριν τη διεξαγωγή συναρμολόγησης ή συντήρησης εξασφαλίστε ότι η συστοιχία μπαταριών έχει αφαιρεθεί. Η μη τήρηση αυτής της προειδοποίησης μπορεί να οδηγήσει σε σοβαρό ατομικό τραυματισμό.

⚠ ΠΡΟΕΙΔΟΠΟΙΗΣΗ: Ρυθμίστε το πτερύγιο φρένου οπισθολακτίσματος αλυσίδας στη θέση φρεναρίσματος πριν από τη συναρμολόγηση.

⚠ ΠΡΟΕΙΔΟΠΟΙΗΣΗ: Φοράτε πάντα γάντια κατά το χειρισμό της μπάρας και της αλυσίδας. Αυτά τα στοιχεία είναι αιχμηρά και μπορεί να περιέχουν προεξοχές.

GR

1. Τοποθετήστε την κεφαλή ισχύος αλυσοπριονίου στα πλάγια με το πλαϊνό κάλυμμα να βλέπει προς τα επάνω (Εικ. Β).
2. Αφαιρέστε το πλευρικό κάλυμμα περιστρέφοντας παξιμάδι μπάρας αριστερόστροφα.
3. Περιστρέψτε τη βίδα τάνυσης αριστερόστροφα για να λασκάρτε την τάνυση αλυσίδας.
4. Απλώστε την αλυσίδα πριονιού σε μια θηλιά σε μια επίπεδη επιφάνεια και ισιώστε οποιεσδήποτε διπλώσεις (Εικ. C).
5. Τοποθετήστε τους συνδέσμους οδηγού αλυσίδας μέσα στην εγκοπή οδηγητικής μπάρας και κάντε θηλιά στην αλυσίδα στο πίσω μέρος της οδηγητικής μπάρας (Εικ. D).
6. Κρατήστε την αλυσίδα στην θέση της πάνω στην οδηγητική μπάρα και τοποθετήστε τη θηλιά γύρω από τον οδοντοτροχό του πριονιού (Εικ. E1).

D-1	Σύνδεσμος οδηγού αλυσίδας	E-2	Φλάντζες ευθυγράμμισης
D-2	Εγκοπή οδηγητικής μπάρας	E-3	Περώνη τάνυσης
E-1	Οδοντοτροχός οδήγησης	E-4	Μπουλόνι στερέωσης

ΕΙΔΟΠΟΙΗΣΗ: Όταν τοποθετείτε την αλυσίδα στην οδηγητική μπάρα, βεβαιώνετε ότι αφότου προσαρτήσετε την οδηγητική μπάρα στο πριόνι, ο προσανατολισμός του κόφτη αντιστοιχεί στο εικονίδιο κόφτη και στο βέλος κατεύθυνσης περιστροφής στο περίβλημα του πριονιού (Εικ. E1). Εάν αυτά βλέπουν προς αντίθετες κατευθύνσεις, επανασυναρμολογήστε την αλυσίδα πριονιού επάνω στην οδηγητική μπάρα με τους κόφτες να κοιτάζουν προς την ίδια κατεύθυνση (Εικ. E2).

7. Τοποθετήστε την οδηγητική μπάρα επάνω στην επιφάνεια τοποθέτησης σύροντας την εσοχή οδηγητικής μπάρας πάνω από τις φλάντζες ευθυγράμμισης. Βεβαιωθείτε ότι η οδηγητική μπάρα έχει τοποθετηθεί σωστά πάνω από το μπουλόνι σύσφιξης και τον πείρο τάνυσης.
8. Επανατοποθετήστε το πλευρικό κάλυμμα επάνω στο περίβλημα αλυσοπριονίου (Εικ. E3) και σφίξτε καλά το παξιμάδι μπάρας.

ΕΙΔΟΠΟΙΗΣΗ: Κατά τη διάρκεια της συναρμολόγησης και της συντήρησης, η μεταλλική πλάκα κάτω από την οδηγητική μπάρα (Εικ. F) μπορεί να αναπηδήσει. Αν συμβεί αυτό, καθαρίστε το κενό μεταξύ αυτού του μεταλλικού τμήματος και του περιβλήματος προσεκτικά και ωθήστε την μεταλλική πλάκα πίσω ώστε να είναι **ευθυγραμμισμένη με το περίβλημα**. Εάν δεν καθαριστεί

και τοποθετηθεί σωστά η μεταλλική πλάκα, θα προκληθεί λάθος ευθυγράμμιση της οδηγητικής μπάρας.

9. Περιστρέψτε την αλυσίδα με το χέρι για να ελέγξετε εάν είναι σωστά συναρμολογημένη χωρίς να μαγκώνει. Στην αντίθετη περίπτωση, συναρμολογήστε εκ νέου την αλυσίδα και την μπάρα.

ΕΙΔΟΠΟΙΗΣΗ: Για να επιμηκύνετε τη διάρκεια ζωής της οδηγητικής μπάρας, αντιστρέψτε τακτικά την μπάρα.

ΡΥΘΜΙΣΗ ΤΗΣ ΤΑΝΥΣΗΣ ΑΛΥΣΙΔΑΣ

- Σβήστε τον κινητήρα και αφαιρέστε τη συστοιχία μπαταριών προτού να ρυθμίσετε την τάνυση αλυσίδας. Γυρίστε δεξιόστροφα ή αριστερόστροφα τη βίδα τάνυσης για να προσαρμόσετε την τάνυση αλυσίδας (Εικ. F) μέχρι η αλυσίδα να εδράζεται επακριβώς κόντρα στην οδηγητική μπάρα με τους συνδέσμους οδηγού στην εγκοπή της οδηγητικής μπάρας.
- Μια κρύα αλυσίδα τανύζεται σωστά όταν δεν υπάρχει τζόγος στην κάτω πλευρά της μπάρας οδήγησης και η αλυσίδα είναι σφιγμένη αλλά μπορεί να περιστραφεί με το χέρι χωρίς να μαγκώνει. Η αλυσίδα πρέπει να τανυστεί εκ νέου εφόσον τα επίπεδα μέρη στους συνδέσμους οδηγού δεν εδράζονται στην εσοχή μπάρας.
- Κατά την κανονική λειτουργία κοπής, η θερμοκρασία της αλυσίδας αυξάνεται. Οι σύνδεσμοι οδηγού μιας σωστά τανυσμένης ζεστής αλυσίδας θα κρέμονται περίπου 1-2 mm έξω από την εγκοπή μπάρας (Εικ. G).

ΕΙΔΟΠΟΙΗΣΗ: Οι νέες αλυσίδες τείνουν να τεντώνονται. Ελέγχετε την τάνυση αλυσίδας τακτικά και τανύζετε κατόπιν απαίτησης.

ΕΙΔΟΠΟΙΗΣΗ: Μια αλυσίδα που τανύζεται ενώ είναι ζεστή, μπορεί όταν κρυώσει να είναι πολύ σφιχτή. Ελέγξτε την ψυχρή τάνυση της αλυσίδας πριν από την επόμενη χρήση.

ΛΕΙΤΟΥΡΓΙΑ

⚠ ΠΡΟΕΙΔΟΠΟΙΗΣΗ: Η εξοικειωσή σας με αυτό το προϊόν δε θα πρέπει να σας κάνει λιγότερο προσεκτικούς. Θυμηθείτε πως ένα κλάσμα δευτερολέπτου απροσεξίας μπορεί να προκαλέσει σοβαρό τραυματισμό.

⚠ ΠΡΟΕΙΔΟΠΟΙΗΣΗ: Μη χρησιμοποιείτε παρελκόμενα που δεν συνιστώνται από τον κατασκευαστή αυτού του προϊόντος. Η χρήση προσαρτημάτων ή παρελκόμενων που δε συνιστώνται από τον κατασκευαστή, ενέχει τον κίνδυνο σοβαρού τραυματισμού.

⚠ ΠΡΟΕΙΔΟΠΟΙΗΣΗ: Για να εμποδίσετε τυχαία

GR

εκκίνηση που θα μπορούσε να προκαλέσει σοβαρό ατομικό τραυματισμό, απομακρύνετε πάντα τη συστοιχία μπαταριών από το εργαλείο, όταν συναρμολογείτε εξαρτήματα, διεξάγετε ρυθμίσεις, καθαρισμό ή σε περίπτωση μη χρήσης.

Πριν από κάθε χρήση, ελέγχετε πλήρως το προϊόν για φθαρμένα, ελλιπή ή χαλαρά εξαρτήματα, όπως, βίδες, παξιμάδια, μπουλόνια, πώματα, κτλ. Συσφίξτε με ασφάλεια όλους τους σφικτήρες και τα πώματα και μη θέσετε σε λειτουργία το προϊόν προτού να αποκατασταθούν όλα τα ελλιπή ή φθαρμένα εξαρτήματα.

ΕΦΑΡΜΟΓΕΣ

Μπορείτε να χρησιμοποιήσετε αυτό το προϊόν για βασικές εφαρμογές κοπής εντός του δέντρου.

⚠️ ΠΡΟΕΙΔΟΠΟΙΗΣΗ: Μην χρησιμοποιείτε αυτό το αλυσοπρίονο σε ένα δέντρο εκτός εάν έχετε αντίστοιχη εκπαίδευση. Η λειτουργία ενός αλυσοπρίονου σε ένα δέντρο χωρίς κατάλληλη εκπαίδευση θα μπορούσε να αυξήσει τον κίνδυνο σοβαρού ατομικού τραυματισμού.

ΕΙΔΟΠΟΙΗΣΗ: Η μηχανή πρέπει να χρησιμοποιείται μόνο για την προβλεπόμενη χρήση. Οποιαδήποτε άλλη χρήση θα εκληφθεί ως καταχρηστική.

ΠΛΗΡΩΣΗ ΛΙΠΑΝΤΙΚΟΥ ΣΤΗ ΜΠΑΡΑ ΚΑΙ ΤΗΝ ΑΛΥΣΙΔΑ

⚠️ ΠΡΟΕΙΔΟΠΟΙΗΣΗ: Μην καπνίζετε ή επιτρέπετε να πλησιάζει φωτιά ή φλόγα κοντά σε λάδια ή στο αλυσοπρίονο. Το λάδι μπορεί να διαρρεύσει και να προκληθεί πυρκαγιά.

ΕΙΔΟΠΟΙΗΣΗ: Το αλυσοπρίονο δεν έχει λάδι μέσα κατά την αγορά του. Είναι απαραίτητο να γεμίσετε το ρεζερβουάρ με λάδι πριν από τη χρήση. Η αλυσίδα λιπαίνεται αυτόματα με λάδι αλυσίδας κατά τη διάρκεια της λειτουργίας, εφόσον υπάρχει αρκετό λάδι στο ρεζερβουάρ λαδιού.

1. Τοποθετήστε το αλυσοπρίονο στο πλάι του με το καπάκι ρεζερβουάρ να κοιτάζει προς τα επάνω..
2. Καθαρίστε το καπάκι του ρεζερβουάρ λαδιού και το χώρο γύρω από αυτό, ώστε να μην πέσουν ρύποι μέσα σε αυτό.
3. Ανασηκώστε την ημικυκλική πλάκα και περιστρέψτε το καπάκι του δοχείου λαδιού αριστερόστροφα για να το αφαιρέσετε (Εικ. Η).
4. Συμπληρώστε προσεκτικά το λάδι μπάρας και αλυσίδας στο ρεζερβουάρ. Γεμίστε μέχρι τη βάση του λαιμού πλήρωσης.
5. Σκουπίστε το υπερβάλλον λάδι και επανατοποθετήστε το καπάκι.

ΕΙΔΟΠΟΙΗΣΗ: Ελέγχετε τακτικά τη στάθμη λαδιού και συμπληρώνετε λάδι όταν η στάθμη πέφτει κάτω από τη γραμμή της μέγιστης στάθμης. Μη χρησιμοποιείτε το αλυσοπρίονο εάν το λάδι δεν φαίνεται.

ΧΡΗΣΗ ΤΗΣ ΩΤΙΔΑΣ ΑΝΑΔΕΤΗ (ΕΙΚ. Η)

⚠️ ΠΡΟΕΙΔΟΠΟΙΗΣΗ: Πάντα να καλύπτετε την αλυσίδα πριονιού και την οδηγητική μπάρα με το προστατευτικό αλυσίδας όταν αναρτάτε το αλυσοπρίονο σε ζώνη εργαλείου. Η αλυσίδα του πριονιού είναι αιχμηρή και μπορεί να προκαλέσει σοβαρούς τραυματισμούς.

⚠️ ΠΡΟΕΙΔΟΠΟΙΗΣΗ: Βεβαιώστε ότι ο αναδέτης είναι αρκετά δυνατός για να υποστηρίξει το συνδυαζόμενο βάρος του αλυσοπρίονου και της συστοιχίας μπαταριών. Κίνδυνος σοβαρών τραυματισμών και ζημιών στην ιδιοκτησία εάν πέσει κάτω το αλυσοπρίονο.

ΠΡΟΣΑΡΤΗΣΗ/ΑΠΟΜΑΚΡΥΝΣΗ ΤΗΣ ΣΥΣΤΟΙΧΙΑΣ ΜΠΑΤΑΡΙΩΝ

Χρησιμοποιείτε μόνο τις συστοιχίες μπαταριών και τους φορτιστές της EGO που αναφέρονται στην Εικ. Α2.

Φορτίστε πλήρως πριν από την πρώτη χρήση.

Προσάρτηση

Ευθυγραμμίστε τις νευρώσεις μπαταρίας με τις σχισμές τοποθέτησης και πιέστε τη συστοιχία μπαταριών κάτω έως ότου να ακούσετε ένα «κλικ» (Εικ. Ι).

Αφαίρεση

Πιέστε το κουμπί αποδέσμευσης μπαταρίας και τραβήξτε έξω τη συστοιχία μπαταριών (Εικ. J).

⚠️ ΠΡΟΕΙΔΟΠΟΙΗΣΗ: Για να διατηρήσετε μια άνετη ισορροπία κατά τη διάρκεια της κοπής, χρησιμοποιείτε μόνο τη συστοιχία μπαταριών BA1400/BA1400T.

ΕΝΕΡΓΟΠΟΙΗΣΗ/ΑΠΕΝΕΡΓΟΠΟΙΗΣΗ ΤΟΥ ΑΛΥΣΟΠΡΙΟΝΟΥ

ΕΙΔΟΠΟΙΗΣΗ: Προτού εκκινήσετε το αλυσοπρίονο, ελέγξτε τη στάθμη λαδιού, την τάνυση αλυσίδας, εάν είναι αιχμηρές οι οδοντώσεις του πριονιού και εάν λειτουργεί σωστά το περύγιο φρένου λακτίσματος. Επίσης πρέπει να στέκεστε ισορροπημένα και σε σωστή απόσταση από το έδαφος.

Ενεργοποίηση (Εικ. Κ)

1. Τραβήξτε το περύγιο φρένου λακτίσματος αλυσίδας προς την μπροστινή λαβή στη θέση λειτουργίας (Εικ. Κ).
2. Πιάνετε γερά την μπροστινή λαβή με το αριστερό χέρι

και την πίσω λαβή με το **δεξί** χέρι.

⚠️ ΠΡΟΕΙΔΟΠΟΙΗΣΗ: Για να αποφύγετε τραυματισμούς, χρησιμοποιείτε πάντα το αλυσοπρίονο με το δεξί χέρι πιάνοντας στην περιοχή πιασίματος της πίσω λαβής (Εικ. L).

3. Μετακινήστε τη γλωτίδα ασφάλισης προς τα εμπρός και στη συνέχεια πατήστε τον διακόπτη σκανδάλης για να εκκινήσετε το πριόνι (Εικ. L).

L-1	Περιοχή λαβής
-----	---------------

4. Αποδεσμεύστε τη γλωτίδα ασφάλισης και συνεχίστε να πιέζετε τον διακόπτη σκανδάλης για τη συνεχή λειτουργία.
5. Όσο πιο πολύ πιέζεται ο διακόπτης-σκανδάλη, τόσο αυξάνεται η ταχύτητα. Ρυθμίστε την ταχύτητα ώστε να ανταποκρίνεται στην εν λόγω εργασία.

⚠️ ΠΡΟΕΙΔΟΠΟΙΗΣΗ: Μην προσπαθήσετε να εκκινήσετε το πριόνι όταν η αλυσίδα βρίσκεται σε μια κοπή.

Απενεργοποίηση

1. Απομακρύνετε το αλυσοπρίονο από την περιοχή κοπής και στη συνέχεια, αποδεσμεύστε το διακόπτη-σκανδάλη για να απενεργοποιήσετε το αλυσοπρίονο.
2. Ωθήστε το περὺγιο φρένου λακτίσματος αλυσίδας προς τα εμπρός στη θέση φρένου για να εμπλέξετε το φρένο αλυσίδας (Εικ. Κ).

⚠️ ΠΡΟΕΙΔΟΠΟΙΗΣΗ: Αφαιρείτε πάντα τη συστοιχία μπαταριών από τη μηχανή κατά τη διάρκεια διαλειμμάτων και μετά την ολοκλήρωση της εργασίας.

ΣΩΣΤΟ ΠΙΑΣΙΜΟ ΤΩΝ ΛΑΒΩΝ (ΕΙΚ. Μ)

- Φοράτε αντολισθητικά γάντια για μέγιστο κράτημα και προστασία.
- Με το αλυσοπρίονο σε μια σταθερή, επίπεδη επιφάνεια, κρατήστε το σφιχτά και με τα δύο χέρια.
- Πιάνετε πάντα την μπροστινή λαβή με το αριστερό χέρι και την πίσω λαβή με το δεξί χέρι.
- Τα δάχτυλα πρέπει περικλείουν τη χειρολαβή, με τον αντίχειρα τυλιγμένο κάτω από την μπροστινή χειρολαβή.

⚠️ ΠΡΟΕΙΔΟΠΟΙΗΣΗ: Ποτέ μη χρησιμοποιείτε αριστερό κράτημα (διασταύρωση χεριών) ή οπδήποτε μπορεί να θέσει το σώμα ή το βραχίονά σας εγκάρσια της γραμμής κοπής της αλυσίδας.

⚠️ ΠΡΟΕΙΔΟΠΟΙΗΣΗ: Μη λειτουργείτε το διακόπτη-σκανδάλη με το αριστερό χέρι και κρατάτε την μπροστινή χειρολαβή με το δεξί χέρι. Ποτέ μην επιτρέπετε τμήματα του

σώματός σας να βρίσκονται στην ευθεία της αλυσίδας ενώ λειτουργεί το αλυσοπρίονο (Εικ. Ν).

ΣΩΣΤΗ ΘΕΣΗ ΚΟΠΗΣ (ΕΙΚ. Ο)

- Και τα δύο πόδια πρέπει να βρίσκονται σε σταθερό έδαφος, με το βάρος ομοιόμορφα καταναμημένο μεταξύ τους.
- Ο αριστερός βραχίονας πρέπει να είναι ίσιος, με τον αγκώνα σταθερό. Έτσι αντέχετε τις δυνάμεις που δημιουργούνται από οπισθολάκτισμα.
- Το σώμα σας πρέπει να βρίσκεται πάντα στα αριστερά της γραμμής αλυσίδας.

ΣΥΝΗΘΕΙΣ ΤΕΧΝΙΚΕΣ ΚΟΠΗΣ

⚠️ ΠΡΟΕΙΔΟΠΟΙΗΣΗ: Βεβαιώνεστε πάντα ότι στέκεστε καλά και ότι κρατάτε το αλυσοπρίονο σφιχτά και με τα δύο χέρια, ενώ λειτουργεί το μωτέρ.

⚠️ ΠΡΟΕΙΔΟΠΟΙΗΣΗ: Όταν η αλυσίδα είναι σταματημένη λόγω μαγκώματος κατά την κοπή, αποδεσμεύστε το διακόπτη-σκανδάλη. Απομακρύνετε την αλυσίδα και την οδηγητική μπάρα από το ξύλο, και στη συνέχεια, επανεκκινήστε το αλυσοπρίονο.

⚠️ ΠΡΟΕΙΔΟΠΟΙΗΣΗ: Μην τραβάτε την αλυσίδα με το χέρι όταν είναι δεσμευμένη με σκόνη πριονίσματος. Μπορεί να προκύψει σοβαρός τραυματισμός εάν το αλυσοπρίονο εκκινηθεί κατά τύχη. Πιέστε το αλυσοπρίονο προς το ξύλο, μετακινήστε το αλυσοπρίονο προς τα πίσω και εμπρός για να απομακρύνετε τα υπολείμματα. Απομακρύνετε πάντα τη συστοιχία μπαταριών πριν τον καθαρισμό. Φοράτε ανθεκτικά προστατευτικά γάντια όταν χειρίζεστε την αλυσίδα.

⚠️ ΠΡΟΕΙΔΟΠΟΙΗΣΗ: Ποτέ μην εκκινείτε το αλυσοπρίονο όταν βρίσκεται σε επαφή με το ξύλο. Αφήνετε πάντα το αλυσοπρίονο να φτάνει στην πλήρη ταχύτητα, προτού το ακουμπήσετε πάνω στο ξύλο.

⚠️ ΠΡΟΕΙΔΟΠΟΙΗΣΗ: Αυτό το αλυσοπρίονο με επάνω λαβή δεν προορίζεται για χρήση στο έδαφος, επομένως αυτό το εγχειρίδιο δεν περιέχει οδηγίες για την κοπή δέντρων, κλαδιών και κορμών.

⚠️ ΠΡΟΕΙΔΟΠΟΙΗΣΗ: Αυτές οι οδηγίες κοπής εντός δέντρου ισχύουν για αυτό το αλυσοπρίονο με επάνω-λαβή που είναι σχεδιασμένο αποκλειστικά για εφαρμογές κοπής εντός-δέντρων από πιστοποιημένους επαγγελματίες υλοτομίας με αντίστοιχη εκπαίδευση.

⚠️ ΠΡΟΕΙΔΟΠΟΙΗΣΗ: Μια κοπή στο άνω μέρος του δέντρου μπορεί να έχει ως αποτέλεσμα τραυματισμό. Η εκτέλεση πρέπει να πραγματοποιείται μόνο από εκπαιδευμένο άτομο.

⚠️ ΠΡΟΕΙΔΟΠΟΙΗΣΗ: Οι νέοι χρήστες πρέπει να εξασκούνται στην κοπή κορμών σε βάση κοπής ή σε βάση στήριξης κορμών.

⚠️ ΠΡΟΕΙΔΟΠΟΙΗΣΗ: Μην εργάζεστε σε δέντρα υπό συνθήκες ισχυρού ανέμου.

⚠️ ΠΡΟΕΙΔΟΠΟΙΗΣΗ: Βεβαιώστε ότι οι παρευρισκόμενοι βρίσκονται μακριά από τον τομέα πτώσης πριν ξεκινήσετε με την εργασία.

⚠️ ΠΡΟΕΙΔΟΠΟΙΗΣΗ: Πάντα να παραμένετε εσείς και ο εξοπλισμός σας μακριά από το υλικό που θα αφαιρεθεί.

⚠️ ΠΡΟΣΟΧΗ: Βεβαιωθείτε ότι η μπαταρία είναι πλήρως φορτισμένη πριν εργαστείτε σε ένα δέντρο.

Κλάδεμα (Εικ. Ρ)

Ακολουθήστε τα παρακάτω βήματα για να αποτρέψετε τη ζημιά στο φύλλο του δέντρου ή θάμνου. Μην προιόνιζετε παλινδρομικά.

1. Κάντε μια πρώτη επιφανειακή κοπή (1/3 της διαμέτρου του κλαδιού) στην κάτω πλευρά του κλαδιού, κοντά στο κύριο κλαδί ή τον κορμό.
2. Κάντε μια δεύτερη κοπή από την άνω πλευρά του κλαδιού έξω από την πρώτη κοπή. Συνεχίστε την κοπή στο κλαδί ώσπου να αποκοπεί από το δέντρο. Να είστε προετοιμασμένοι να ισορροπήσετε το βάρος του εργαλείου και εξασφαλίστε ότι βρίσκεστε μακριά από αυτό πριν ολοκληρώσετε την κοπή.
3. Κάντε μια τελική κοπή κοντά στον κορμό.

Κοπή στο άνω μέρος του δέντρου

Πριν από την κοπή στο άνω μέρος του δέντρου απομακρύνετε χαλαρούς φλοιούς, καρφιά, συρραπτικά και σύρματα από το δέντρο στο οποίο θα γίνουν οι κοπές.

GR ΕΓΚΟΠΗ ΤΟΜΗΣ ΡΙΨΗΣ

Κάντε την εντομή στο 1/4 της διαμέτρου του δέντρου, κάθετα προς την κατεύθυνση πτώσης, όπως φαίνεται στην Εικ. Q. Κάντε πρώτα την κατώτερη οριζόντια κοπή εγκοπής. Έτσι θα αποφευχθεί μάγκωμα του αλυσοπρίονου ή της οδηγητικής μπάρας όταν γίνει η δεύτερη εντομή.

Q-1	Κατεύθυνση πτώσης	Q-3	Όπισθεν κοπή
Q-2	Εγκοπή	Q-4	Στροφέας

Όπισθεν κοπή

- Κάντε την όπισθεν κοπή στο ίδιο ύψος με την οριζόντια κοπή εγκοπής όπως φαίνεται στην Εικ. Q. Διατηρείτε την όπισθεν κοπή παράλληλη στην οριζόντια κοπή εγκοπής. Κάντε την όπισθεν κοπή έτσι

ώστε να παραμένει αρκετό ξύλο για να λειτουργήσει ως μεντεσές. Το ξύλο που λειτουργεί έτσι εμποδίζει το δέντρο να περιστραφεί και να πέσει στην λάθος κατεύθυνση. Μην κόψετε μέσα από αυτήν την άρθρωση.

- Καθώς η όπισθεν κοπή πλησιάζει στον μεντεσέ, το δέντρο θα αρχίσει να πέφτει. Εάν υπάρχει πιθανότητα το δέντρο να μην πέσει στην επιθυμητή κατεύθυνση ή να λικνιστεί προς τα πίσω και να μπλοκάρει το αλυσοπρίονο, σταματήστε την κοπή προτού ολοκληρωθεί η όπισθεν κοπή και χρησιμοποιήστε σφήνες ξύλου, πλαστικού ή αλουμινίου για να ανοίξετε την κοπή ώστε να πέσει το δέντρο κατά μήκος της επιθυμητής γραμμής πτώσης.
- Όταν το κομμάτι δέντρου αρχίσει να πέφτει απομακρύνετε το αλυσοπρίονο από την κοπή, σταματήστε το μοτέρ και ενεργοποιήστε το φρένο αλυσίδας. Να προσέχετε για κλαδιά πιο ψηλά που ενδεχομένως πέφτουν και προσέχετε που πατάτε.

ΣΥΝΤΗΡΗΣΗ

⚠️ ΠΡΟΕΙΔΟΠΟΙΗΣΗ: Κατά τη συντήρηση, χρησιμοποιείτε μόνο όμοια ανταλλακτικά. Η χρήση οποιωνδήποτε άλλων εξαρτημάτων μπορεί να προκαλέσει κίνδυνο ή υλικές ζημιές. Προκειμένου να διασφαλιστεί η ασφάλεια και η αξιοπιστία, όλες οι επισκευές πρέπει να διενεργούνται από εξειδικευμένο τεχνικό του σέρβις.

⚠️ ΠΡΟΕΙΔΟΠΟΙΗΣΗ: Για την αποφυγή σοβαρού ατομικού τραυματισμού, αφαιρείτε πάντα τη συστοιχία μπαταριών από το προϊόν προτού επιθεωρήσετε, καθαρίσετε ή διεξάγετε συντήρηση. Ένα εργαλείο που λειτουργεί με μπαταρία με εισηγμένη συστοιχία μπαταριών, είναι πάντα ενεργό και μπορεί να εκκινηθεί τυχαία.

⚠️ ΠΡΟΕΙΔΟΠΟΙΗΣΗ: Όταν καθαρίζετε το αλυσοπρίονο, ΜΗΝ το βυθίζετε σε νερό ή άλλα υγρά.

⚠️ ΠΡΟΕΙΔΟΠΟΙΗΣΗ: Τα πλαστικά εξαρτήματα δεν πρέπει να έρθουν ποτέ σε επαφή με υγρά φρένων, βενζίνη, πετρελαϊκά προϊόντα, δεισδυτικά λάδια, κτλ. Τα χημικά μπορούν να φθείρουν, να καταστήσουν εύθραυστα ή να καταστρέψουν τα πλαστικά εξαρτήματα με κίνδυνο σοβαρού τραυματισμού.

ΚΑΘΑΡΙΣΜΟΣ

- Μετά από κάθε χρήση, καθαρίζετε τα υπολείμματα από την αλυσίδα και την οδηγητική μπάρα με μια μαλακή βούρτσα. Σκουπίζετε την επιφάνεια του αλυσοπρίονου με ένα καθαρό πανί βρεγμένο με ήπια σαπουνάδα.
- Απομακρύνετε το πλαινό κάλυμμα και κατόπι

χρησιμοποιήστε μια μαλακιά βούρτσα για να απομακρύνετε υπολείμματα από την οδηγητική μπάρα, την αλυσίδα, τον οδοντωτό τροχό και το πλαϊνό κάλυμμα.

- Καθαρίζετε πάντα τα ροκανίδια, τη σκόνη πριονίσματος και τους ρύπους από την εγκοπή οδηγητικής μπάρας όταν αντικαθιστάτε την αλυσίδα.

ΣΥΝΤΗΡΗΣΗ ΟΔΗΓΗΤΙΚΗΣ ΜΠΑΡΑΣ

Εάν η οδηγητική μπάρα παρουσιάζει σημάδια φθοράς, αποσυναρμολογήστε την από την κεφαλή ισχύος του αλυσοπρίονου και αντιστρέψτε την για εκ νέου τοποθέτηση (Εικ. R1). Με αυτόν τον τρόπο η φθορά θα κατανεμηθεί ομοιόμορφα για μεγαλύτερη διάρκεια ζωής της μπάρας.

Η μπάρα πρέπει να καθαρίζεται κάθε ημέρα χρήσης και να ελέγχεται για φθορά και ζημιές. Σφήνωμα ή γρέζια στις ράγες μπάρας είναι φυσιολογικά σημάδια φθοράς της μπάρας. Τέτοια ίχνη πρέπει να λειαίνονται με μια λίμα μόλις εμφανιστούν. Μια μπάρα με κάποιο από τα ακόλουθα σημάδια πρέπει να αντικατασταθεί.

- Φθορά στο εσωτερικό των ραγιών μπάρας που επιτρέπει στην αλυσίδα να τρέχει λοξά.
- Λυγισμένη οδηγητική μπάρα.
- Ραγισμένες ή σπασμένες ράγες.
- Ανοιγμένες ράγες.

Επιπλέον, η οδηγητική μπάρα έχει έναν οδοντωτό τροχό στην άκρη της (Εικ. R2). Ο οδοντωτός τροχός πρέπει να λιπαίνεται κάθε εβδομάδα με μια σύριγγα με γράσο για την επιμήκυνση της διάρκειας ζωής της οδηγητικής μπάρας. Χρησιμοποιείτε σύριγγα με γράσο για την εβδομαδιαία λίπανση με λάδι αλυσίδας από την οπή λίπανσης (Εικ. R3). Γυρίστε την οδηγητική μπάρα και ελέγξτε εάν οι οπές λίπανσης και η εγκοπή αλυσίδας είναι ελεύθερες από ρύπους.

R-1	Οδοντωτός τροχός στην ακμή οδηγητικής μπάρας
R-2	Οπή λίπανσης

ΜΕΤΑΦΟΡΑ ΚΑΙ ΑΠΟΘΗΚΕΥΣΗ

- Μην αποθηκεύετε ή μεταφέρετε το αλυσοπρίονο όταν αυτό βρίσκεται σε λειτουργία. Απομακρύνετε πάντα τη συστοιχία μπαταριών πριν από την αποθήκευση ή τη μεταφορά.
- Τοποθετείτε πάντα τη θήκη αλυσίδας στην οδηγητική μπάρα και στην αλυσίδα προτού αποθηκεύσετε ή μεταφέρετε το αλυσοπρίονο. Να είστε προσεκτικοί και να αποφεύγετε την αιχμηρή οδόντωση της αλυσίδας.
- Πάντα να μεταφέρετε το προϊόν από τη μπροστινή του λαβή.
- Προστατεύετε το προϊόν από τυχόν δυνατές κρούσεις ή ισχυρούς κραδασμούς που μπορεί να προκληθούν κατά τη μεταφορά σε οχήματα.
- Καθαρίστε την αλυσοπρίονο προσεκτικά και αδειάστε το ντεπόζιτο λαδιού πριν την αποθήκευση. Αποθηκεύστε το αλυσοπρίονο σε εσωτερικό, στεγνό χώρο που κλειδώνει και όπου δεν πλησιάζουν παιδιά.
- Να διατηρείται μακριά από διαβρωτικές ουσίες, όπως χημικές ουσίες και άλατα κατά του πάγου.

ΠΡΟΣΤΑΣΙΑ ΤΟΥ ΠΕΡΙΒΑΛΛΟΝΤΟΣ



Μην απορρίπτετε ηλεκτρικό εξοπλισμό, παλιές μπαταρίες και φορτιστές στα οικιακά απορρίμματα!

Μεταφέρετε αυτό το προϊόν σε εξουσιοδοτημένο κέντρο ανακύκλωσης και παραδώστε το για ξεχωριστή συλλογή. Τα ηλεκτρικά εργαλεία πρέπει να επιστρέφονται σε περιβαλλοντικά συμβατή μονάδα ανακύκλωσης.

ΑΝΤΙΜΕΤΩΠΙΣΗ ΠΡΟΒΛΗΜΑΤΩΝ

▲ ΠΡΟΕΙΔΟΠΟΙΗΣΗ: Προσέχετε πάντα τα χέρια σας φορώντας ανθεκτικά γάντια όταν διεξάγετε συντήρηση στο αλυσοπρίονο. Απομακρύνετε πάντα τη συστοιχία μπαταριών κατά τη συντήρηση ή μεταφορά του αλυσοπρίονου.

ΠΡΟΒΛΗΜΑ	ΑΙΤΙΑ	ΑΝΤΙΜΕΤΩΠΙΣΗ
Ο κινητήρας δε λειτουργεί.	<ul style="list-style-type: none"> ■ Η συστοιχία μπαταριών δεν έχει προσαρτηθεί στο αλυσοπρίονο. ■ Δεν υπάρχει ηλεκτρική επαφή μεταξύ πριονιού και συστοιχίας μπαταριών. ■ Η συστοιχία μπαταριών έχει αδειάσει. ■ Η συστοιχία μπαταριών ή το αλυσοπρίονο είναι υπερβολικά ζεστά. ■ Η γλωτίδα απαφάλισης δεν πατήθηκε πριν την πίεση του διακόπτη σκανδάλης. ■ Το φρένο αλυσίδας έχει πιάσει. ■ Η αλυσίδα έχει μαγκώσει στο ξύλο. ■ Υπολείμματα στην εγκοπή μπάρας. ■ Υπολείμματα στο πλαϊνό κάλυμμα. ■ Χρησιμοποιείτε συστοιχία μπαταριών 4,0 Ah ή ανώτερης τιμής Ah. 	<ul style="list-style-type: none"> ■ Τοποθετήστε τη συστοιχία μπαταριών στο αλυσοπρίονο. ■ Απομακρύνετε τη συστοιχία μπαταριών, ελέγξτε τις επαφές και εγκαταστήστε εκ νέου τη συστοιχία μπαταριών. ■ Φορτίστε τη συστοιχία μπαταριών. ■ Επιτρέψτε η συστοιχία μπαταριών ή το αλυσοπρίονο να κρυώσουν μέχρι η θερμοκρασία να πέσει στο προτεινόμενο εύρος θερμοκρασίας λειτουργίας. ■ Πιέστε κάτω τη γλωτίδα ασφάλισης και κρατήστε την, κατόπιν πιέστε τον διακόπτη σκανδάλη για να ενεργοποιήσετε το αλυσοπρίονο. ■ Τραβήξτε το περὺγιο φρένου λακτίσματος αλυσίδας προς τα πίσω προς την μπροστινή λαβή στη θέση λειτουργίας. ■ Αποδεσμεύστε το διακόπτη-σκανδάλη. Απομακρύνετε την αλυσίδα και την οδηγητική μπάρα από το ξύλο, κατόπιν επανεκκινήστε το αλυσοπρίονο. ■ Πιέστε το αλυσοπρίονο προς το ξύλο, μετακινήστε το αλυσοπρίονο προς τα πίσω και εμπρός για να απομακρύνετε τα υπολείμματα. ■ Απομακρύνετε τη συστοιχία μπαταριών, κατόπιν αφαιρέστε το πλαϊνό κάλυμμα και καθαρίστε τα υπολείμματα. ■ Χρησιμοποιείτε μόνο με συστοιχίες μπαταριών EGO 2,5 Ah BA1400 και BA1400T.
Το αλυσοπρίονο σταματάει ξαφνικά κατά τη διάρκεια της λειτουργίας.	<ul style="list-style-type: none"> ■ Το αλυσοπρίονο έχει υπερφορτωθεί. ■ Η συστοιχία μπαταριών ή το αλυσοπρίονο είναι υπερβολικά ζεστά. ■ Η αλυσίδα έχει μαγκώσει στο ξύλο. 	<ul style="list-style-type: none"> ■ Μειώστε το φορτίο. ■ Επιτρέψτε η συστοιχία μπαταριών ή το αλυσοπρίονο να κρυώσουν μέχρι η θερμοκρασία να πέσει στο προτεινόμενο εύρος θερμοκρασίας λειτουργίας. ■ Αποδεσμεύστε το διακόπτη-σκανδάλη. Απομακρύνετε την αλυσίδα και την οδηγητική μπάρα από το ξύλο, κατόπιν επανεκκινήστε το αλυσοπρίονο.
Ο κινητήρας λειτουργεί αλλά η αλυσίδα δεν περιστρέφεται.	<ul style="list-style-type: none"> ■ Η αλυσίδα δεν «πιάνει» τον οδοντωτό τροχό της οδηγητικής μπάρας. 	<ul style="list-style-type: none"> ■ Απομακρύνετε τη συστοιχία συσσωρευτών και επανατοποθετήστε την αλυσίδα διασφαλίζοντας ότι οι συνδέσμοι της αλυσίδας εδράζονται πλήρως στον οδοντωτό τροχό.

ΠΡΟΒΛΗΜΑ	ΑΙΤΙΑ	ΑΝΤΙΜΕΤΩΠΙΣΗ
Το φρένο αλυσίδας δεν πιάνει.	<ul style="list-style-type: none"> ■ Ρύτιοι εμποδίζουν την πλήρη κίνηση του περυνγίου φρένο.υ οπισθολακτίσματος αλυσίδας. ■ Πιθανή δυσλειτουργία φρένου αλυσίδας. 	<ul style="list-style-type: none"> ■ Καθαρίστε τα υπολείμματα από τον εξωτερικό μηχανισμό του φρένου αλυσίδας. ■ Σταματήστε αμέσως τη χρήση του αλυσοπρίονου! Επικοινωνήστε με την εξυπηρέτηση πελατών της EGO για επισκευή.
Το αλυσοπρίονο δεν κόβει σωστά.	<ul style="list-style-type: none"> ■ Ανεπαρκής τάνυση αλυσίδας. ■ Στομωμένη αλυσίδα. ■ Η αλυσίδα έχει εγκατασταθεί αντίστροφα. ■ Φθαρμένη αλυσίδα. ■ Στεγνή ή υπερβολική τεντωμένη αλυσίδα. ■ Η αλυσίδα δε βρίσκεται στην εγκοπή μπάρας. 	<ul style="list-style-type: none"> ■ Ρυθμίστε εκ νέου την τάνυση αλυσίδας, σύμφωνα με την ενότητα: «ΡΥΘΜΙΣΗ ΤΗΣ ΤΑΝΥΣΗΣ ΑΛΥΣΙΔΑΣ». ■ Τροχήστε την αλυσίδα. ■ Επανεγκαταστήστε την αλυσίδα σύμφωνα με την ενότητα «ΣΥΝΑΡΜΟΛΟΓΗΣΗ/ΑΝΤΙΚΑΤΑΣΤΑΣΗ ΤΗΣ ΜΠΑΡΑΣ ΚΑΙ ΤΗΣ ΑΛΥΣΙΔΑΣ». ■ Αντικαταστήστε την αλυσίδα, ακολουθώντας το απόσπασμα: «ΣΥΝΑΡΜΟΛΟΓΗΣΗ/ΑΝΤΙΚΑΤΑΣΤΑΣΗ ΤΗΣ ΜΠΑΡΑΣ ΚΑΙ ΤΗΣ ΑΛΥΣΙΔΑΣ». ■ Ελέγξτε τη στάθμη λαδιού. Συμπληρώστε λάδι στο ρεζερβουάρ λαδιού, εάν χρειαστεί. ■ Επανεγκαταστήστε την αλυσίδα, ακολουθώντας τις οδηγίες στο απόσπασμα: «ΣΥΝΑΡΜΟΛΟΓΗΣΗ/ΑΝΤΙΚΑΤΑΣΤΑΣΗ ΤΗΣ ΜΠΑΡΑΣ ΚΑΙ ΤΗΣ ΑΛΥΣΙΔΑΣ».
Η αλυσίδα χαλαρώνει ή πέφτει από την οδηγητική μπάρα κατά την κανονική χρήση.	<ul style="list-style-type: none"> ■ Η αλυσίδα χαλαρώνει καθώς η θερμοκρασία της αλυσίδας αυξάνεται κατά την κανονική λειτουργία του αλυσοπρίονου. ■ Η αλυσίδα δεν «πιάνει» τον οδοντωτό τροχό της οδηγητικής μπάρας. 	<ul style="list-style-type: none"> ■ Εντείνετε την τάνυση αλυσίδας σύμφωνα με την ενότητα «ΡΥΘΜΙΣΗ ΤΗΣ ΤΑΝΥΣΗΣ ΑΛΥΣΙΔΑΣ». ■ Επανεγκαταστήστε την αλυσίδα, ακολουθώντας τις οδηγίες στο απόσπασμα: «ΣΥΝΑΡΜΟΛΟΓΗΣΗ/ΑΝΤΙΚΑΤΑΣΤΑΣΗ ΤΗΣ ΜΠΑΡΑΣ ΚΑΙ ΤΗΣ ΑΛΥΣΙΔΑΣ».
Η μπάρα και η αλυσίδα θερμαίνονται και βγαίνει καπνός.	<ul style="list-style-type: none"> ■ Ελέγξτε την τάνυση αλυσίδας για υπερβολική σύσφιξη. ■ Το ρεζερβουάρ λαδιού της αλυσίδας είναι άδειο. ■ Υπολείμματα στην εγκοπή οδηγητικής μπάρας. 	<ul style="list-style-type: none"> ■ Επανατανύστε την αλυσίδα πριονιού σύμφωνα με την ενότητα «ΡΥΘΜΙΣΗ ΤΗΣ ΤΑΝΥΣΗΣ ΑΛΥΣΙΔΑΣ». ■ Γεμίστε το ντεπόζιτο με λιπαντικό για την μπάρα και την αλυσίδα. ■ Πιέστε το αλυσοπρίονο προς το ξύλο, μετακινήστε το αλυσοπρίονο προς τα πίσω και εμπρός για να απομακρύνετε τα υπολείμματα.

ΕΓΓΥΗΣΗ

ΠΟΛΙΤΙΚΗ ΕΓΓΥΗΣΗΣ EGO

Επισκεφθείτε την ιστοσελίδα egopowerplus.eu για όλους τους όρους και τις προϋποθέσεις της πολιτικής εγγύησης EGO.

TÜM TALİMATLARI OKUYUN!



KULLANIM KILAVUZUNU OKUYUN

⚠ UYARI: Emniyet ve güvenilirliği sağlamak için tüm tamir işleri yetkili bir servis teknisyeni tarafından yapılmalıdır.

⚠ UYARI: Bu aleti kullanmadan önce "TEHLİKE", "UYARI" ve "DİKKAT" gibi tüm güvenlik uyarı ve sembollerini içeren bu Kullanım Kılavuzundaki tüm güvenlik talimatlarını okuyup anladığınızdan emin olun. Aşağıdaki talimatların tamamına uyulmaması elektrik çarpması, yangın ve/veya ciddi yaralanma ile sonuçlanabilir.

TÜM UYARI VE TALİMATLARI GELECEKTE BAŞVURU AMACIYLA MUHAFAZA EDİN.

GÜVENLİK SEMBOLLERİ

⚠ UYARI: Makineler kullanılırken yabancı nesnelere gözlerinize fırlayabilir ve bu da gözlerinize ciddi biçimde zarar verebilir. Elektrikli aleti kullanmaya başlamadan önce daima göz koruması veya yan siperleri olan koruyucu gözlük takın ve gerektiğinde tam yüz siperi kullanın. Gözlük üzerinde kullanım için Geniş Görüşlü Güvenlik Maskesi takmanızı veya yan siperleri olan standart koruyucu gözlük takmanızı öneririz.



Güvenlik Uyarısı



Yaralanma riskini azaltmak için kullanıcı bu ürünü kullanmadan önce kullanım kılavuzunu okuyup anlamalıdır.



Koruyucu Gözlük Takın



Kulak Koruması Takın



Koruyucu Kask Takın



Koruyucu Eldiven Takın



Pala ucu geri tepmesi



Motorlu testereyi her zaman iki elinizle kullanın



Motorlu testerenin geri tepmesine dikkat edin ve pala ucuyla temas etmekten kaçınınız



Pala hakkında bilgiler



Garanti edilen ses gücü seviyesidir. Avrupa Birliği Yönetmeliğine göre çevre gürültü emisyonu.



Atık elektrikli ürünler, evsel atıklar ile birlikte bertaraf edilmemelidir. Yetkili bir geri dönüşüm merkezine teslim edilmelidir.

TR



Bu ürün, yürürlükteki AB yönetmeliklerine uygundur.



Bu ürün, yürürlükteki Birleşik Krallık yasalarına uygundur.



Doğru Akım

IPX4

Sıçrayan Suya Karşı Koruma

mm Milimetre

n_b Yüksüz Hız

V Voltaj

./dk. Dakika Başına

TEKNİK ÖZELLİKLER

Nominal Voltaj	56 V	
Maks. Zincir Hızı	20 m/sn.	
Zincir Adımı	1/4" (6,4 mm)	
Zincir Ölçüsü	1,1 mm	
Pala Uzunluğu	300 mm	
Testere Zinciri Modeli	AC1204Q (Önerilen)	
	AC1000Q (Uyumlu)	
Pala Modeli	AG1000Q (Uyumlu)	
Testere Zinciri ve Pala Takımı Modeli	AK1204Q (Önerilen)	
Zincir Yağı Deposu Kapasitesi	150 ml	
Ağırlık (akü takımı, testere zinciri, pala, yan kapak, yağ ve zincir kılıfı hariç)	1,9 kg	
Önerilen Çalışma Sıcaklığı	-15°C kuni 40°C	
Önerilen Depolama Sıcaklığı	-20°C kuni 70°C	
Önerilen Şarj Sıcaklığı	5°C kuni 40°C	
Ölçülen ses gücü seviyesi L _{WA}	97 dB(A) K=3,6 dB(A)	
Çalışma pozisyonundaki ses gücü seviyesi L _{PA}	89 dB(A) K=3 dB(A)	
Garanti edilen ses gücü seviyesi L _{WA} (2000/14/EC uyarınca)	101 dB(A)	
Titreşim a _h	Ön tutma kolu	2,64 m/sn. ² K=1,5 m/sn. ²
	Arka tutma kolu	2,05 m/sn. ² K=1,5 m/sn. ²

- Beyan edilen toplam titreşim değeri standart bir test yöntemine göre ölçülmüştür ve bir ürünün diğeri ile karşılaştırmak için kullanılabilir;
- Beyan edilen toplam titreşim değeri, maruz kalma seviyesinin ilk değerlendirmesi için de kullanılabilir.

DİKKAT: Elektrikli aletin fiili kullanımı sırasında oluşan titreşim emisyonu değeri aletin kullanım şekline bağlı olarak beyan edilen değerden farklı olabilir. Operatör korunmak için fiili kullanım koşullarında eldiven ve kulak koruması takmalıdır.

AMBALAJ İÇERİĞİ (ŞEK. A1)

AÇIKLAMA

MOTORLU TESTERENİZİ TANIYIN (Şek. A1)

1. Pala
2. Testere Zinciri
3. Zincir Geri Tepme Fren Kolu
4. Arka Tutma Kolu
5. Ön Tutma Sapı
6. Yağ Kontrolü Camı
7. Yağ Deposu Kapağı
8. Kilitleme Dili
9. Tetik
10. Akü Çıkarma Düğmesi
11. Yan Kapak
12. Pala Somunu
13. Germe Vidası
14. Yağlama Deliği
15. Zincir Kılıfı
16. Emniyet Halatı Askısı
17. Çok amaçlı anahtar

MONTAJ

PALA VE ZİNCİRİ TAKMA/DEĞİŞTİRME

⚠ UYARI: Herhangi bir montaj veya bakım işlemi yapmadan önce akü takımının çıkarıldığından emin olun. Bu uyarının dikkate alınmaması ciddi yaralanmalara yol açabilir.

⚠ UYARI: Montajdan önce zincir geri tepme fren kolunu fren konumuna getirin.

⚠ UYARI: Pala ve zincir ile çalışırken daima eldiven takın; bu bileşenler keskindir ve çapak içerebilirler.

1. Motorlu testerenin güç başlığını, yan kapağı yukarıya bakacak şekilde yan olarak yerleştirin (Şek. B).
2. Pala somununu saat yönünün tersine çevirerek yan kapağı çıkarın.
3. Zincir gerginliğini gevşetmek için gerdirme vidasını saat yönünün tersine çevirin.
4. Testere zincirini halka halinde düz bir yüzey üzerine yerleştirin ve kıvrılmış yerleri düzeltin (Şek. C).
5. Zincir tahrik baklalarını pala oluğuna yerleştirin ve zinciri palanın arkasında bir halka haline getirin (Şek. D).

TR

6. Zinciri pala üzerindeki konumunda tutun ve halkayı testere dişlisinin etrafına yerleştirin (Şek. E1).

D-1	Zincir Tahrik Baklası	E-2	Hizalama Flaşları
D-2	Pala Oluğu	E-3	Germe Pimi
E-1	Tahrik Dişlisi	E-4	Sabitleme Cıvatası

DİKKAT: Testere zincirini palaya geçirirken, palayı testereye taktıktan sonra kesici yönünün testere gövdesi üzerindeki kesici simgesi ve dönüş yönü oku ile eşleştirdiğinden emin olun (Şek. E1). Ters yönlere bakıyorlarsa kesiciler aynı yöne bakacak şekilde testere zincirini tekrar palaya monte edin (Fig. E2).

7. Pala yuvasını hizalama flaşları üzerine kaydırarak palayı montaj yüzeyine yerleştirin. Palanın, sabitleme cıvatası ve gerdirme pimi üzerine doğru şekilde yerleştirildiğinden emin olun.
8. Yan kapağı motorlu testere gövdesine yerleştirin (Şek. E3) ve pala somununu tamamen sıkın.

DİKKAT: Montaj ve bakım sırasında pala altındaki metal plaka (Şek. F) fırlayabilir. Böyle bir durumda, bu metal parça ile gövde arasındaki boşluğu iyice temizleyin ve metal plakayı **gövdeye tam** oturacak şekilde geriye doğru itin. Metal plakanın temizlenmemesi ve düzgün yerleştirilmemesi palanın hizasız olmasına neden olur.

9. Zincirin sıkışmadan düzgün şekilde takılıp takılmadığını kontrol etmek için zinciri elle döndürün. Aksi halde zincir ve palayı yeniden birleştirin.

DİKKAT: Palanın ömrünü uzatmak için palayı ara sıra ters çevirin.

ZİNCİR GERGINLİĞİNİ AYARLAMA

TR

- Zincir gerginliğini ayarlamadan önce motoru durdurun ve aküyü çıkarın. Zincir gerginliğini ayarlamak için zincir, pala oluğundaki tahrik baklaları palaya sıkıca oturuncaya kadar germe vidasını saat yönünde veya saat yönünün tersine çevirin (Şek. F).
- Soğuk bir zincir, palanın altında herhangi bir gevşeklik yoksa ve zincir tam oturmuş ancak kıvrılmadan elle çevrilebiliyorsa doğru gerginlikte demektir. Tahrik baklaları üzerindeki yassı parçalar pala oluşuna oturmuyorsa zincirin yeniden gerilmesi gerekiyor demektir.
- Normal testere çalışması sırasında, zincirin sıcaklığı artar. Doğru gerginlikteki sıcak bir zincirin tahrik baklaları pala oluşundan yaklaşık 1-2 mm açıkta asılı

durur (Şek. G).

DİKKAT: Yeni zincir esnemeye meyillidir; sık sık zincir gerginliğini kontrol edin ve gerekirse gerdirin.

DİKKAT: Normal sıcaklıkta gerdirilen bir zincir soğuduğunda fazla gergin olabilir. Bir sonraki kullanımdan önce soğuk gerginliği kontrol edin.

ÇALIŞTIRMA

⚠ UYARI: Bu ürüne karşı edindiğiniz alışkanlığın sizi dikkatsiz yapmasına izin vermeyin. Bir anlık dikkatsizliğin ciddi yaralanmalara sebep olabileceğini unutmayın.

⚠ UYARI: Bu ürünün üreticisi tarafından önerilmeyen herhangi bir aparatı veya aksesuarı kullanmayın. Tavsiye edilmeyen aksesuarların veya aparatların kullanımı ciddi yaralanmalara sebep olabilir.

⚠ UYARI: Yanlışlıkla çalışarak ciddi yaralanmalara neden olmasını önlemek için parçaları monte ederken, ayar yaparken, temizlikten önce ve ürün kullanımda değiken daima aküyü aletten çıkarın.

Her kullanımdan önce ürünü inceleyerek vida, somun, cıvata, kapak gibi parçaların hasarlı, eksik veya gevşek olup olmadığını kontrol edin. Tüm bağlantı parçalarını ve kapakları sağlam bir şekilde sıkın ve bu ürünü eksik veya hasarlı parçaların hepsini değiştirmeden çalıştırmayın.

KULLANIM ALANLARI

Bu ürünü temel ağaç içi kesme uygulamalarınızda kullanabilirsiniz.

⚠ UYARI: Özel olarak eğitim almadığınız sürece bu motorlu testereyi ağaçta kullanmayın. Uygun eğitim almadan ağaçta motorlu testere kullanmak ciddi yaralanma riskini artırabilir.

DİKKAT: Bu makine sadece belirtilen kullanım amaçlarına uygun kullanılmalıdır. Diğer kullanım şekilleri hatalı kullanım olarak kabul edilir.

PALA VE ZİNCİR YAĞINI DOLDURMA

⚠ UYARI: Yağın veya motorlu testerenin yakınında sigara içmeyin veya herhangi bir ateş veya alev kaynağını bunların yanına getirmeyin. Yağ sıçrayabilir ve yangına neden olabilir.

DİKKAT: Satın alındığında motorlu testerede yağ bulunmaz. Kullanmadan önce deponun yağ ile doldurulması gerekir. Yağ deposunda yeterince yağ varsa çalışma sırasında zincir otomatik olarak zincir yağı ile yağlanır.

1. Motorlu testereyi, depo kapağı yukarıya bakacak

şekilde yan olarak yerleştirin.

- Yağ deposu kapağı ile kapak çevresindeki alanı temizleyerek yağ deposuna herhangi bir pisliğin düşmediğinden emin olun.
- Yarım daire plakayı kaldırın ve yağ deposu kapağını saat yönünün tersine çevirerek çıkarın (Şek. H).
- Pala ve zincir yağını dikkatle depoya dökün. Doldurma ağzının altına kadar doldurun.
- Taşan yağ varsa silin ve kapağı yerine takın.

DİKKAT: Yağ seviyesini sık sık kontrol edin ve yağ seviyesi minimum çizgisinin altına düştüğünde yağ doldurun. Yağ görünmüyorsa motorlu testereyi hiçbir zaman çalıştırmayın.

EMNİYET HALATI HALKASININ KULLANIMI (Şekil H)

⚠ UYARI: Motorlu testereyi alet kemerine astığınızda, testere zincirini ve palayı daima zincir kılıfıyla örtün. Testere zinciri keskindir ve ciddi yaralanmalara neden olabilir.

⚠ UYARI: Emniyet halatının, motorlu testerenin ve akü takımının toplam ağırlığını destekleyecek kadar güçlü olduğundan emin olun. Motorlu testerenin düşmesi durumunda ciddi yaralanmalar ve maddi hasar meydana gelebilir.

AKÜ TAKIMINI TAKMA/ÇIKARMA

Sadece Şek. A2'de listelenen EGO akü takımlarını ve şarj cihazlarını kullanın.

İlk kullanımdan önce tamamen şarj edin.

Takmak İçin

Akü dişleri ile montaj yuvalarını hizalayın ve bir "tık" sesi duyana kadar aküyü bastırın (Şek. I).

Çıkarmak için

Akü çıkarma düğmesine basın ve aküyü çekip çıkarın (Şek. J).

⚠ UYARI: Kesim sırasında rahat bir denge sağlamak için lütfen sadece BA1400/BA1400T akü takımıyla birlikte kullanın.

MOTORLU TESTEREYİ ÇALIŞTIRMA/DURDURMA

DİKKAT: Motorlu testereyi çalıştırmadan önce yağ seviyesini, zincir gerginliğini, testere dişlerinin keskinliğini ve geri tepme fren kolunun düzgün çalışıp çalışmadığını kontrol edin. Bunların yanı sıra, dengeli bir duruş ve yerden uygun bir mesafe sağlanması gerekir.

Çalıştırmak için (Şek. K)

- Zincir geri tepme fren kolunu ön kola doğru iterek

çalışma konumuna getirin (Şek. K).

- Ön tutma kolunu **sol** elinizle ve arka tutma kolunu **sağ** elinizle sıkıca tutun.

⚠ UYARI: Yaralanmayı önlemek için motorlu testereyi her zaman sağ elinizle arka tutma kolunun kavrama alanından tutarak kullanın (Şek. L).

- Kilitleme dilini ileri hareket ettirin ve ardından çalıştırmak için tetiğe basın (Şek. L).

L-1	Kavrama Alanı
-----	---------------

- Kilitleme dilini bırakın ve sürekli kullanım için tetiğe basmaya devam edin.
- Tetiğe ne kadar fazla basılırsa zincir hızı da o kadar artar. Yapacağınız işe uygun şekilde hızı ayarlayın.

⚠ UYARI: Testereyi bir kesimin içindeyken başlatmayın.

Durdurmak için

- Motorlu testereyi kesme alanından uzaklaşın ve ardından motorlu testereyi durdurmak için tetiği bırakın.
- Zincir frenini devreye sokmak için zincir geri tepme fren kolunu ileri doğru iterek fren konumuna getirin (Şek. K).

⚠ UYARI: Mola verdiğinizde ve işi bitirdikten sonra daima aküyü makineden çıkarın.

TUTMA KOLLARINI DOĞRU TUTUŞ ŞEKLİ (ŞEK. M)

- Maksimum düzeyde tutuş ve koruma için kaymayan eldiven takın.
- Testere sağlam, düz bir yüzey üzerindeyken testereyi her iki elinizle birden sağlam şekilde tutun.
- Daima ön kolu sol elinizle ve arka kolu sağ elinizle tutun.
- Baş parmağınızı ön tutma kolunun alt kısmına getirip parmaklarınızla tutma kolunu sıkıca kavramalısınız.

⚠ UYARI: Asla sol elinizle (çapraz tutuş) tutmayın veya vücudunuzu ya da kolunuzu zincir hattına sokacak bir şekilde durmayın.

⚠ UYARI: Tetiği sol elinizle çalıştırmayın ve ön tutma kolunu sağ elinizle tutmayın. Motorlu testereyi kullanırken asla vücudunuzun hiçbir bölümünü zincir hattına sokmayın (Şek. N).

DOĞRU KESİM DURUŞU (ŞEK. O)

- Her iki ayağınızı yere sağlam biçimde basmalı ve ağırlığınızı iki ayağınıza eşit olarak paylaştırmalısınız.
- Sol kolunuz düz, dirseğiniz kilitlenmiş olmalıdır. Bu, geri tepme sonucu oluşan kuvvetlere dayanmanıza yardımcı

olur.

- Vücudunuz daima zincir hattının solunda olmalıdır.

YAYGIN KESİM TEKNİKLERİ

⚠ UYARI: Daima bastığınız yerlerin sağlam olduğundan emin olun ve motor çalışırken motorlu testereyi her iki elinizle sağlam şekilde tutun.

⚠ UYARI: Kesim sırasında sıkışma nedeniyle testere zinciri durursa, tetik düşmesini bırakın; testere zincirini ve palayı aşıptan çıkarın, ardından motorlu testereyi yeniden başlatın.

⚠ UYARI: Testere tozu nedeniyle sıkışmış durumdaki testere zincirini elinizle çekmeyin. Motorlu testere kazara çalışırsa ciddi yaralanmaya neden olabilir. Testere zincirini aşıba doğru bastırın, motorlu testereyi ileri geri hareket ettirerek talaşın boşalmasını sağlayın. Cihazı temizlemeden önce daima aküyü çıkarın. Testerenin zincirine dokunacaksanız dayanıklı koruyucu eldiven giyin.

⚠ UYARI: Asla motorlu testereyi aşıp ile temas halindeyken çalıştırmayın. Testereyi aşıba dokundurmadan önce daima motorlu testerenin tam hıza ulaşmasını bekleyin.

⚠ UYARI: Üstten tutma kolu bu motorlu testere zemin üzerinde kullanılmak üzere tasarlanmamıştır, bu nedenle bu kılavuz düşen ağaç, dal budama ve ağaç tomruklama talimatlarını içermez.

⚠ UYARI: Bu ağaç-ıçi talimatlar, özel olarak bu iş için eğitilmiş sertifikalı ağaç hizmeti profesyonelleri tarafından ağaç kesme uygulamaları için özel olarak tasarlanmış bu üstten-tutma kolu motorlu testere için geçerlidir.

⚠ UYARI: Ağaç üzerinde kesim yaralanmaya neden olabilir. Bu işlem mutlaka eğitilmiş bir kişi tarafından yapılmalıdır.

⚠ UYARI: İlk defa kullanacaklar, kütük kesme işini bir testere tezgahında veya kütük kazağında uygulamalıdır.

⚠ UYARI: Çok rüzgarlı koşullarda ağaçlarda çalışmayın.

⚠ UYARI: Çalışmaya başlamadan önce tüm çevredekilerin düşme alanından uzak olduğundan emin olun.

⚠ UYARI: Kendinizi ve ekipmanınızı her zaman çıkarılan malzemeden uzak tutun.

⚠ İKAZ: Ağaçta çalışmadan önce akünün tam şarjlı olduğundan emin olun.

Budama (Şek. P)

Ağacın veya ağaç kabuğunun zarar görmesini önlemek

için aşağıdaki adımları izleyin. Testere ile ileri-geri kesim hareketi yapmayın.

1. Öncelikle dalın altından, ana gövde yakınında derin olmayan (dal çapının 1/3'ü kadar) bir kesim açın.
2. Birinci kesimin dışından dalın üst kısmından ikinci kesimi yapın. Dal ağaçtan ayrılana kadar dalı kesmeye devam edin. Aletin ağırlığını dengelemeye hazır olun ve kesimi tamamlamadan önce aletin sizden uzakta olduğundan emin olun.
3. Ana gövdeye yakın bir son kesim yapın.

Ağaç üzerinde kesim

Ağaç üzerinde kesim işlemine başlamadan önce, kesimin yapılacağı ağaçtan gevşek kabukları, çivileri, zımbaları ve telleri çıkarın.

Alt çentik kesimi

Şek. Q'da gösterildiği gibi devrilme yönüne dik olarak, ağaç çapının 1/4'ü kadar bir çentik açın. İlk olarak alttaki yatay çentiği açın. Bu sayede, ikinci çentik açılırken testere veya palanın sıkışması önlenmiş olur.

Q-1	Düşme Yönü	Q-3	Devirme Kesimi
Q-2	Çentik	Q-4	Mafsalsal

Devirme kesimi

- Devirme kesimini, Şekil Q'da gösterildiği gibi yatay çentik kesimiyle aynı yükseklikte yapın. Devirme kesimini yatay çentik kesimine paralel olarak yapın. Devirme kesimini yaparken bir mafsalsal işlevi görecektir kadar yeterli odun parçası kalmasını sağlayın. Mafsalsal ağacın yanlış yönde dönmesini ve düşmesini önler. Mafsalsal sonuna kadar kesmeyin.
- Devirme kesimi menteşe kısmına yaklaştıkça ağaç düşmeye başlamalıdır. Ağacın istenilen yöne düşmemesi veya geriye doğru sallanması ve testere zincirini sıkıştırması ihtimali varsa, devirme kesimini tamamlamadan kesimi durdurun ve ağaç, plastik veya alüminyum takozlar kullanarak kesimi açın ve ağacı istenilen düşme hattı yönüne düşürün.
- Ağaç kütüğü düşmeye başladığında, motorlu testereyi kesim yerinden çıkarın, motoru durdurun ve zincir frenini etkinleştirin. Yukarıdan düşebilecek dallara karşı dikkatli olun ve bastığınız yere dikkat edin.

BAKIM

⚠ UYARI: Bakım yaparken sadece orijinal yedek parçaları kullanın. Diğer parçaların kullanılması tehlike oluşturabilir veya ürünün hasar görmesine neden olabilir. Emniyet ve güvenilirliği sağlamak için tüm tamir işleri yetkili

bir servis teknisyeni tarafından yapılmalıdır.

⚠ UYARI: Ciddi yaralanmalardan kaçınmak için incelemeyi, temizlemeyi veya bakım yapmadan önce her zaman akü takımını üründen çıkarın. Akü ile çalışan bir aletin aküsü takılıysa bu alet daima açık konumdadır ve kazara çalışabilir.

⚠ UYARI: Motorlu testereyi temizlerken, su veya diğer sıvıların içine DALDIRMAYIN.

⚠ UYARI: Fren sıvıları, benzin, petrol bazlı ürünler, nüfuz eden yağlar gibi ürünlerin plastik parçalarla hiçbir zaman temas etmesine izin vermeyin. Kimyasal maddeler plastik parçalara hasar verebilir, bu tür parçaları zayıflatabilir veya parçalayabilir ve bu durum ciddi yaralanmalara neden olabilir.

TEMİZLİK

- Her kullanımdan sonra yumuşak bir fırça ile zincir ve paladaki talaşları temizleyin. Motorlu testerenin yüzeyini, yumuşak sabun çözümü ile nemlendirilmiş, temiz bir bezle silin.
- Yan kapağı çıkarın ve ardından yumuşak bir fırça kullanarak paladaki, zincirdeki, dişlerdeki ve yan kapaktaki talaşı temizleyin.
- Testere zincirini değiştirirken daima pala oluğundaki ahşap talaşları, tozu ve kirleri temizleyin.

PALANIN BAKIMI

Pala aşınma belirtileri gösterdiğinde, motorlu testerenin güç başlığından sökünü ve yeniden takmak için ters çevirin (Şek. R1). Bu şekilde, palanın kullanım ömrünü en yükseğe çıkarmak için aşınma dağıtılır.

Pala kullanıldığı her gün temizlenmeli, aşınma ve hasara karşı kontrol edilmelidir. Pala raylarında çapaklanma görülmesi, palanın aşınma sürecinde normaldir. Bu tür bozulmalar oluşur oluşmaz bir eğe ile düzeltilmelidir. Aşağıdaki bozukluklardan herhangi biri bulunan pala değiştirilmelidir.

- Pala raylarının içinde, zincirin yanlara doğru kaymasına neden olan aşınma.
- Eğik pala.
- Çatlak veya kırık raylar.
- Ayrık raylar.

Ayrıca palanın ucunda da bir zincir dişlisi vardır (Şek. R2). Palanın ömrünü uzatmak için, dişli bir yağ enjektörüyle haftada bir yağlanmalıdır. Bir yağ enjektörü kullanarak, yağ deliğinden zincir yağı ile haftada bir yağlayın (Şek. R3). Palayı çevirin ve yağlama delikleri ile zincir oluğunda kirlenme olup olmadığını kontrol edin.

R-1	Pala Ucundaki Dişli
R-2	Yağlama Deliği

TAŞIMA VE DEPOLAMA

- Motorlu testereyi çalışır durumdayken depolamayın veya taşımayın. Depolamadan veya taşımadan önce daima aküyü çıkarın.
- Motorlu testereyi taşımadan veya depoya kaldırmadan önce daima pala ve zincirin üzerine zincir kılıfını takın. Zincirin keskin dişlerine karşı dikkatli olun.
- Ürünü her zaman ön tutma kolundan tutarak taşıyın.
- Ürünü, nakliye sırasında araç içinde meydana gelebilecek ağır darbe veya güçlü titreşimlere karşı koruyun.
- Motorlu testereyi depolamadan önce iyice temizleyin ve yağ deposunu boşaltın. Motorlu testereyi kilitli ve/veya çocukların ulaşamayacağı, kapalı ve kuru bir yerde depolayın.
- Bahçe kimyasalları ve buz eritici tuzlar gibi aşındırıcı maddelerden uzak tutun.

ÇEVRE KORUMASI



Elektrikli cihazları, kullanılmış aküleri ve şarj cihazını evsel atıklarla bertaraf etmeyin!

Bu ürünü yetkili bir geri dönüşüm merkezine götürün ve ayrı bir şekilde toplanmasını sağlayın. Elektrikli aletler çevreyle uyumlu bir geri dönüşüm tesisine götürülmelidir.

SORUN GİDERME

⚠ UYARI: Testere zinciri üzerinde herhangi bir bakım işlemi gerçekleştirirken daima dayanıklı eldivenler takarak ellerinizi koruyun. Motorlu testereyi taşıırken veya bakım/onarım yaparken daima aküyü çıkarın.

SORUN	NEDENİ	ÇÖZÜM
Motor çalışmıyor.	<ul style="list-style-type: none"> ■ Akü, motorlu testereye takılı değildir. ■ Testere ile akü takımı arasında elektrik teması yoktur. ■ Akü takımının şarjı boşalmıştır. ■ Akü veya motorlu testere çok sıcaktır. ■ Tetiğe basmadan önce kilitleme düğmesine basılmamıştır. ■ Zincir freni devrededir. ■ Testere zinciri aħşap içerisinde sıkışmıştır. ■ Pala oluğunda kalıntılar vardır. ■ Yan kapak içerisinde talaş artıkları vardır. ■ 4.0Ah veya daha yüksek Ah değerinde akü takımı kullanılmıştır. 	<ul style="list-style-type: none"> ■ Akü takımını motorlu testereye takın. ■ Akü takımını çıkarın, temas noktalarını kontrol edin ve aküyü yeniden takın. ■ Akü takımını şarj edin. ■ Sıcaklık önerilen çalışma sıcaklığı aralığına düşene kadar akü takımının veya motorlu testerenin soğumasını bekleyin. ■ Kilitleme dilini basılı tutun, ardından tetik düğmesine basarak motorlu testereyi çalıştırın. ■ Zincir geri tepme fren kolunu ön tutma koluna doğru geri iterek çalışma konumuna getirin. ■ Tetik düğmesini bırakın; testere zincirini ve palayı aħşaptan çıkarın, ardından motorlu testereyi yeniden başlatın. ■ Testere zincirini aħşaba doğru bastırın, motorlu testereyi ileri geri hareket ettirerek talaşın boşalmasını sağlayın. ■ Aküyü çıkarın, ardından yan kapağı çıkarın ve talaş artıklarını temizleyin. ■ Sadece EGO 2.5 Ah akü takımları BA1400 ve BA1400T ile birlikte kullanın.
Motorlu testere çalışırken beklenmedik bir şekilde duruyor.	<ul style="list-style-type: none"> ■ Motorlu testere aşırı yüküdür. ■ Akü veya motorlu testere çok sıcaktır. ■ Testere zinciri aħşap içerisinde sıkışmıştır. 	<ul style="list-style-type: none"> ■ Yükü azaltın. ■ Sıcaklık önerilen çalışma sıcaklığı aralığına düşene kadar akü takımının veya motorlu testerenin soğumasını bekleyin. ■ Tetik düğmesini bırakın; testere zincirini ve palayı aħşaptan çıkarın, ardından motorlu testereyi yeniden başlatın.
Motor çalışıyor, ancak zincir dönmüyor.	<ul style="list-style-type: none"> ■ Zincir, tahrik dişlisine geçmemiştir. 	<ul style="list-style-type: none"> ■ Akü takımını çıkarın ve zincir üzerindeki tahrik baklalarının tam olarak dişli üzerine oturduğundan emin olarak zinciri tekrar takın.
Zincir freni devreye girmiyor.	<ul style="list-style-type: none"> ■ Zincir geri tepme fren kolunun tam hareketi talaş artıkları tarafından engelleniyordur. ■ Olası zincir freni arızası vardır. 	<ul style="list-style-type: none"> ■ Dış zincir freni mekanizmasındaki talaş artıklarını temizleyin. ■ Motorlu testereyi kullanmayı hemen bırakın! Tamir için EGO Müşteri Hizmetleri ile irtibata geçin.

SORUN	NEDENİ	ÇÖZÜM
Motorlu testere düzgün kesmiyor.	<ul style="list-style-type: none"> ■ Zincir gerginliği yetersizdir. ■ Zincir körelmiştir. ■ Zincir ters takılmıştır. ■ Zincir aşınmıştır. ■ Zincir kurumuş veya aşırı gerilmiştir. ■ Zincir pala oluşu içerisinde değildir. 	<ul style="list-style-type: none"> ■ Aşağıdaki bölüme uygun olarak zincir gerginliğini yeniden ayarlayın: "ZİNCİR GERGINLIĞINI AYARLAMA". ■ Zinciri keskinleştirin. ■ "PALA VE ZİNCİRİ TAKMA/DEĞİŞTİRME" bölümüne uygun olarak testere zincirini yeniden takın. ■ Aşağıdaki bölüme uygun olarak zinciri değiştirin: "PALA VE ZİNCİRİ TAKMA/DEĞİŞTİRME". ■ Yağ seviyesini kontrol edin. Gerekirse yağ deposunu doldurun. ■ Aşağıdaki bölüme uygun olarak zinciri yeniden takın: "PALA VE ZİNCİRİ TAKMA/DEĞİŞTİRME".
Normal kullanım sırasında zincir gevşiyor veya paladan düşüyor.	<ul style="list-style-type: none"> ■ Normal testere çalışması sırasında zincirin sıcaklığı arttıkça zincir gevşer. ■ Zincir, tahrik dişlisine geçmemiştir. 	<ul style="list-style-type: none"> ■ "ZİNCİR GERGINLIĞINI AYARLAMA" bölümüne uygun olarak zincir gerginliğini ayarlayın. ■ Aşağıdaki bölüme uygun olarak zinciri yeniden takın: "PALA VE ZİNCİRİ TAKMA/DEĞİŞTİRME".
Pala ve zincir ısınıyor ve duman çıkarıyor.	<ul style="list-style-type: none"> ■ Zincir gerginliğini aşırı gerilme durumuna karşı kontrol edin. ■ Zincir yağı deposu boştur. ■ Pala oluşunda birikintiler vardır. 	<ul style="list-style-type: none"> ■ "ZİNCİR GERGINLIĞINI AYARLAMA" bölümünde anlatılanları takip ederek testere zincirini yeniden gerdirin. ■ Depoyu pala ve zincir yağıyla doldurun. ■ Testere zincirini aħşaba doğru bastırın, motorlu testereyi ileri geri hareket ettirerek talaşın boşalmasını sağlayın.

GARANTİ

EGO GARANTİ POLİTİKASI

EGO Garanti Politikasına ilişkin tüm hükümler ve koşullar için lütfen egopowerplus.eu adresindeki web sitesini ziyaret edin.

TR

LUGEGE KÕIKI JUHISEID!



LUGEGE KASUTUSJUHENIDIT

⚠ HOIATUS: Turvalisuse ja vastupidavuse tagamiseks peab kõiki parandustöid läbi viima kvalifitseeritud hooldustehnik.

⚠ HOIATUS: Enne käesoleva seadme kasutamist lugege kindlasti läbi ja tehke endale selgeks kõik kasutusjuhendis toodud ohutusjuhised, sh kõik ohutussümbolid, nagu „OHT“, „HOIATUS“, ja „ETTEVAATUST“. Kui allpool loetletud juhiseid ei järgita, võib tagajärjeks olla elektrilöökk, tulekahju ja/või rasked kehavigastused.

SÄILITAGE HOIATUSED JA JUHISED HILISEMAKS KASUTUSEKS.

OHUTUSSÜMBOLID

⚠ HOIATUS: Mistahes masinate kasutamine võib põhjustada võõrkehade paiskumist silma, mis võib tekitada tõsiseid silmavigastusi. Elektriliste tööriistade kasutamise ajal kandke alati kaitseprille või külgakaitsetega kaitseprille ja vajadusel täielikku näokaitset. Soovitame kanda prillide peal laia vaatealaga kaitsemaski või standardseid külgakaitsetega kaitseprille.



Ohutusteade



Vigastusohu vähendamiseks peab kasutaja enne toote kasutamist lugema kasutusjuhendit ja selle endale selgeks tegema.



Kandke kaitseprille



Kasutage kuulmiskaitsevahendeid



Kandke peakaitset



Kandke kaitsekindaid



Juhtlati tipu tagasilöökk



Kasutage kettsaagi alati kahe käega



Pöörake tähelepanu kettsae tagasilöögile ja vältige kokkupuudet juhtlati otsaga



Taave juhtlati kohta



Garanteeritud helivõimsuse tase. Seadme müra keskkonnas on Euroopa Ühenduse direktiiviga vastavuses.



Elektriseadmete jäätmeyd ei tohi visata olmejäätmete hulka. Viige volitatud taaskäitleja juurde.

ET



Toode vastab kohaldatavatele EÜ direktiividele.

UK
CA

Toode vastab kohaldatavatele Ühendkuningriigi õigusaktidele.



Alalisvool

IPX4

Kaitse pritsmevee eest

mm Millimeeter

n_0 Tühikäigu kiirus

V Pinge

./min Minutis

TEHNILISED ANDMED

Nimipinge	56 V	
Max Ketki kiirus	20 m/s	
Ketisamm	1/4" (6,4 mm)	
Keti mõõdik	1,1 mm	
Juhtlati pikkus	300 mm	
Saeketi mudel	AC1204Q (soovitatav)	
	AC1000Q (ühilduv)	
Juhtlati mudel	AG1000Q (ühilduv)	
Saeketi ja juhtlati komplekti mudel	AK1204Q (soovitatav)	
Keti õlipaagi maht	150 ml	
Kaal (ilma akuploki, saeketi, juhtlati, küljekatte, õli ja ketikaitsmeta)	1,9 kg	
Soovituslik töökeskkonna temperatuur	-15°C kuni 40°C	
Soovituslik hoiustamise temperatuur	-20°C kuni 70°C	
Soovitatav laadimistemperatuur	5°C kuni 40°C	
Möödetud helivõimsuse tase L_{WA}	97 dB(A)	
	K=3,6 dB(A)	
Helirõhk seadme tööasendis L_{PA}	89 dB(A)	
	K = 3 dB(A)	
Garanteeritud helivõimsuse tase L_{WA} (2000/14/EÜ kohaselt)	101 dB(A)	
Vibratsioon a_n	Eesmine käepide	2,64 m/s ² K = 1,5 m/s ²
	Tagumine käepide	2,05 m/s ² K = 1,5 m/s ²

- Esitatud vibratsioonitaseme näit on möödetud standardsete testmeetodite kohaselt ja seda võib kasutada erinevate tööriistade võrdlemiseks.
- Esitatud vibratsioonitaseme näitu võib kasutada ka alge kokkupuutehinnangu andmiseks.

MÄRKUS: Tegelikul kasutamisel tekkinud vibratsioonitase võib esitatust erineda; turvalisuse eesmärgil peaks seadme kasutaja tegelikes kasutustingimustes kandma kindaid ja kuulmiskaitsemeid.

PAKENDI LOEND (JONIS A1)

KIRJELDUS

TUNNE OMA KETTTAAGI (joonis A1)

1. Juhik
2. Saekett
3. Keti tagasilöögipiduri laba
4. Tagumine käepide
5. Eesmine käepide
6. Õlinivoo kontrollaken
7. Õlimahuti kork
8. Lukustuskeel
9. Päästikülili
10. Akuvabastusnupp
11. Küljekate
12. Lati mutter
13. Pingutuskruvi
14. Määrdeava
15. Keti kaitse
16. Riputusnõõr
17. Kombivõti

KOKKUPANEK

JUHTLATI JA KETI KOKKUPANEK/VÄLJAVAHETAMINE

⚠ HOIATUS: Enne mistahes kokkupanekut või hooldustöid veenduge, et aku on eemaldatud. Selle hoiatuse eiramine võib põhjustada tõsiseid kehavigastusi.

⚠ HOIATUS: Enne sae kokkupanekut seadke keti tagasilöögipiduri laba pidurdusasendisse.

⚠ HOIATUS: Juhtlati ja keti käitlemisel kandke alati kindaid; need komponendid on teravad ja võivad sisaldada ogasid.

1. Pange kettsae toitepea külili nii, et küljekate jääb ülespoole (joonis B).
2. Eemaldage küljekate, keerates kahte lukustusmutrit vastupäeva.
3. Keti pingutuse lõdvendamiseks keerake keti pingutuskruvi vastupäeva.
4. Seadke saekett siledal pinnal silmuseks ja tõmmake väänded jms sirgeks (joonis C).
5. Asetage keti veolülid juhtlati soone sisse ja lükake kett juhtlati tagaosast lati peale (joonis D).

ET

6. Hoidke ketti juhtlatil paigal ja asetage silmus ümber sae ketiratta (joonis E1).

D-1	Keti veolülid	E-2	Joondusäärikud
D-2	Juhtlati soon	E-3	Ketipinguti tihvt
E-1	Ajami ketiratas	E-4	Kinnituspolt

MÄRKUS: Saeketti juhtlatile lükates veenduge, et pärast juhtlati saele paigaldamist ühtiks löikuri suund korpusel oleva löikuri ikooni ja pöörlemissuuna noolega (joonis E1). Kui need on suunatud vastassuundadesse, pange saekett uuesti juhtlatile nii, et löikehambad oleks noolega samas suunas (joonis E2).

7. Asetage juhtlatt paigalduspinnale, lükates juhtlati pesa üle joondusäärikute. Veenduge, et juhtlatt oleks õigesti paigutatud kinnituspoldi ja pingutustihvti kohale.
8. Asetage küljekate kettsae korpusele (Joonis E3) tagasi ja pingutage kaks lukustusmutrit täiesti kinni.

MÄRKUS: Kokkupaneku ja hoolduse ajal võib juhtlati all olev metallplaat (joonis F) välja pudeneda. Kui see juhtub, puhastage selle metallosa ja korpuse vaheline vahe põhjalikult ja lükake metallplaat tagasi, nii et see oleks **korpuse küljega tasa**. Kui metallplaati ei puhastata ja ei paigutata õigesti, põhjustab see juhtlati mittejoondumise.

9. Pöörake ketti käsitsi, et kontrollida, kas kett on korralikult paigaldatud ja ei kiilu kinni. Vastasel juhul pange kett ja latt uuesti kokku.

MÄRKUS: Juhtlati tööea pikendamiseks pöörake latt aeg-ajalt teistpidi.

KETI PINGE REGULEERIMINE

- Enne keti pinge reguleerimist seisake mootor ja eemaldage akuplokk. Pöörake keti pingutuskrui päri- või vastupäeva, et reguleerida keti pinget (joonis F), kuni kett asetseb tihedalt vastu juhtlati t, et veolülid on juhtlati soones.
- Külm kett on õigesti pinguldatud, kui juhtlati all pole lötku ja kett on tihedalt ümber lati, aga seda saab käega ilma painutamata pöörata. Kui ketilülide lamedad osad ei ole lati soones, tuleb ketti pinguldada.
- Tavaliselt keti temperatuur töö käigus tõuseb. Õigesti pingutatud sooja keti lülid ripuvad umbes 1-2 mm võrra juhtlati soonest väljas (joonis G).

MÄRKUS: Uued ketid venivad. Kontrollige keti pinguldatus sageli ja pinguldage vastavalt vajadusele.

MÄRKUS: Soojalt pinguldatud kett võib jahtudes liiga pingul olla. Enne järgmist kasutuskorda kontrollige külma

keti pinguldatus.

KASUTAMINE

⚠ HOIATUS: Ärge muutuge toodet tundma õppides hooletuks. Pidage meeles, et raskeid vigastusi põhjustavaks õnnetuseks piisab ka sekundi murdosa pikkusest tähelepanematuses.

⚠ HOIATUS: Ärge kasutage lisaseadmeid või -tarvikuid, mida selle toote valmistaja pole soovitanud. Mittesoovituslike lisaseadmete või -tarvikute kasutamine võib põhjustada raskeid kehavigastusi.

⚠ HOIATUS: Raskeid vigastusi põhjustada võiva juhusliku käivitumise vältimiseks eemaldage alati akuplokk enne masina kokkupanemist, reguleerimist, puhastamist või kui masin ei ole kasutuses.

Kontrollige enne iga kasutuskorda kogu toodet, et ei esineks kahjustunud, puuduvaid või lahtisi osi, nt kruve, mutreid, polte, korke vms. Kinnitage kõik kinnitused ja korgid ning ärge kasutage toodet, kuni kõik puuduvad või kahjustatud osad on välja vahetatud.

KASUTUSEESMÄRGID

Seda toodet võib kasutada peamiselt puude lõikamiseks.

⚠ HOIATUS: Ärge kasutage seda kettsaagi puu otsas, kui teid ei ole selleks spetsiaalselt välja õpetatud. Kettsae kasutamine puu otsas ilma nõuetekohase väljaõppeta võib suurendada tõsiste kehavigastuste ohtu.

MÄRKUS: Masinat tohib kasutada vaid käesolevas juhendis lubatud eesmärgil. Igasugust muud kasutust loetakse väärkasutuseks.

LATI JA KETI MÄÄRDEAINE LISAMINE

⚠ HOIATUS: Ärge suitsetage ega tooge tuleallikaid õli ega sae lähedusse. Õli võib maha valguda ja tulekahju põhjustada.

MÄRKUS: Ostetud saag ei ole algselt õliga täidetud. Enne esmakasutust tuleb õli paak kindlasti täita. Ketti määratakse töö ajal automaatselt ketiõliga, kui mahutis on piisavalt õli.

- Pange kettsaag küllini nii, et õli paagi kork jääks ülespoole.
- Puhastage õli paagi kork ja selle ümbrus, et vältida mustuse õli paaki sattumist.
- Tõstke poolringikujulist plaati üles ja keerake õli paagi korki selle eemaldamiseks vastupäeva (joon. H).
- Kallake juhtlati ja keti õli ettevaatlikult paaki. Täitke paak kuni täitekaela alumise osani.
- Pühkige ära üleliigne õli ja keerake kork tagasi.

ET

MÄRKUS: Kontrollige õlitaset sageli ja kui õlitase langeb alla minimumi, lisage õli. Ärge kunagi kasutage kettsaagi, kui õli ei ole nähtav.

KANDERIHMA AASA KASUTAMINE (joonis H)

⚠ HOIATUS: Katke saekett ja juhtlatt alati ketikattega, kui riputate kettsaagi tööriistavööle. Saekett on terav ja võib põhjustada tõsiseid vigastusi.

⚠ HOIATUS: Veenduge, et kanderihm on piisavalt tugev, et taluda kettsae ja aku kombineeritud kaalu. Kettsae kukkumisel võivad tekkida tõsised vigastused ja varaline kahju.

AKU PAIGALDAMINE/EEMALDAMINE

Kasutage ainult joonisel A2 esitatud EGO akuplokke ja laadureid.

Enne esmakasutamist laadige täielikult täis.

Paigaldamine

Joondage aku sakid paigaldussoontega ja suruge akut alla, kuni kuulete klõpsatust (joonis I).

Eemaldamine

Vajutage akuvabastusnuppu ja tõmmake aku välja (joonis J).

⚠ HOIATUS: Et säilitada mugav tasakaal lõikamise ajal, kasutage ainult akut BA1400/BA1400T.

KETSAE KÄIVITAMINE/SEISKAMINE

MÄRKUS: Enne kettsae käivitamist kontrollige õlitaset, keti pingutust, saehammaste teravust ja tagasilöögiduri hoova nõuetekohast töötamist. Lisaks tuleb töötada kindlal maapinnal ja piisaval kõrgusel maapinnast.

Käivitamine (joonis K)

1. Tõmmake keti tagasilöögiduri hooa eesmise käepideme poole tööasendisse (joonis K).
2. Võtke vasaku käega eesmisest käepidemest ja parema käega tagumisest käepidemest kindlalt kinni.

⚠ HOIATUS: Vigastuste vältimiseks kasutage kettsaagi alati nii, et parem käsi hoiab tagumise käepideme haardealast kindlalt kinni (joonis L).

3. Liigutage lukustushooba ettepoole ja seejärel vajutage sae käivitamiseks päästiklüliti (Joonis L).

L-1	Haardeala
-----	-----------

4. Vabastage lukustushoob ja töö jätkamiseks vajutage endiselt päästiklülilt.
5. Mida tugevamalt päästiklüliti vajutatakse, seda

suurem on keti kiirus. Reguleerige kiirus parajasti tehtava töö jaoks sobivaks.

⚠ HOIATUS: Ärge üritage saagi käivitada, kui sae kett on lõike sees.

Seiskamine

1. Kettsae peatamiseks viige saag lõikealast eemale ja vabastage siis päästiklüliti.
2. Keti tagasilöögiduri aktiveerimiseks lükake keti tagasilöögiduri hoo ettepoole pidurdusasendisse (joonis K).

⚠ HOIATUS: Tööpauside ajal ja pärast töö lõpetamist eemaldage masina küljest alati akuplokk.

KORREKTNE KÄEPIDEMEST HOIDMISE VIIS (JONIS M)

- Võimalikult tugeva haarde ja turvalisuse tagamiseks kasutage libisemiskindlast materjalist kindaid.
- Asetage saag kindlale ja tugevale tasasele pinnale ning hoidke seda kahe käega.
- Võtke alati vasaku käega eesmisest käepidemest ja parema käega tagumisest.
- Asetage sõrmed ümber käepideme nii, et põial on eesmise käepideme all.

⚠ HOIATUS: Ärge kunagi töötage vasakukäelise haardega (käed risti) ega niisuguse hoiakuga, mille puhul teie keha või käsi jääb saeketi liikumistrajektorile.

⚠ HOIATUS: Ärge vajutage päästikut vasaku käega ega hoidke eesmist käepidet parema käega. Jälgige kettsae kasutamisel, et mitte ükski teie kehaosa ei jääks saeketi liikumistrajektorile (joonis P).

ÕIGE TÖÖASEND (JONIS O)

- Mõlemad jalad tuleb toetada tugevale pinnale ja raskus peab jalgade vahel ühtlaselt jagunema.
- Vasak käsi peab olema sirge ja küünarnukk fikseeritud. Nii suurendate tagasilöögiga tekkivate jõudude taluvust.
- Teie keha peaks alati olema ketist vasakul.

TAVAPÄRASED LÕIKAMISTEHNIKA

⚠ HOIATUS: Seiske alati kindlal maapinnal ja hoidke töötavat saagi tugevalt kahe käega.

⚠ HOIATUS: Kui peatate sae, sest tunnete saagimise ajal kinni jäämist, vabastage päästiklüliti; eemaldage sae kett ja juhtlatt puudu küljest ning käivitage kettsaag uuesti.

⚠ HOIATUS: Ärge tõmmake saepuru vahele kinni jäänud ketti käega. Juhuslikult käivitav saag võib põhjustada raskeid õnnetusi. Mustuse eemaldamiseks

ET

suruge sae kett vastu puitu ning liigutage saagi edasi-tagasi. Enne puhastamist eemaldage alati akuplokk. Sae käitamisel kandke alati tugevaid töökindaid.

⚠ HOIATUS: Ärge hoidke saagi käivitamise ajal puidu vastas. Ärge puudutage puitu kettsaega enne, kui saag on saavutanud maksimaalse töökiruse.

⚠ HOIATUS: See ülemise käepidemega kettsaag ei ole mõeldud kasutamiseks maapinnal, seetõttu ei sisalda käesolev kasutusjuhend juhiseid puude langetamiseks, okste lõikamiseks ja puude järkamiseks.

⚠ HOIATUS: Käesolevad puude peal töötamise juhised kehtivad selle ülemise -käepidemega kettsae kohta, mis on ette nähtud üksnes selleks spetsiaalselt koolitatud sertifitseeritud puutööde spetsialistide poolt teostatavaks puude - lõikamiseks.

⚠ HOIATUS: Blokeerimine võib põhjustada vigastusi. Seda peaks tegema ainult koolitatud isik.

⚠ HOIATUS: Esmakordsetel kasutajatel tuleks harjutada palkide lõikamist spetsiaalsel alusel.

⚠ HOIATUS: Ärge töötaga puude otsas tugeva tuulega.

⚠ HOIATUS: Enne töö alustamist veenduge, et kõik kõrvalseisjad on langetusalast eemal.

⚠ HOIATUS: Hoidke ennast ja oma varustust alati eemaldatavast materjalist eemal.

⚠ ETTEVAATUST! Veenduge, et aku on enne puu otsas töötamist täielikult laetud.

Pügamine (joonis P)

Järgige alltoodud juhiseid, et vältida puu- või pöösakoore kahjustamist. Ärge kasutage edasi-tagasi saagimisliigutust.

1. Esmalt tehke üks pinnapealne lõige (1/3 oksa läbimõõdust) peaosksa või tüve lähedal asuva oksa alumisele küljele.
2. Tehke teine lõige oksa pealmiselt küljelt esimesest lõikest eestpoolt. Jätkake oksa läbilõikamist, kuni oks eraldub puu küljest. Olge valmis tasakaalustama tööriista kaalu ja veenduge, et olete enne lõikuse lõpetamist sellest ohutul kaugusel.
3. Tehke viimane lõige tüve lähedalt.

Tõkestuslõige

Enne tõkestuslõike tegemist eemaldage puult lahtine koor, naelad, klambrid ja traat sealt, kus tuleb teha tõkestuslõiked.

Alllõikega sälkamine

Tehke sälk 1/4 puu läbimõõdu ulatuses langemissuunaga

risti, nagu on näidatud joonisel Q. Esmalt tehke alumine horisontaalne sälk. Nii vältite saeketi või juhtlati näpistamist teise sälgu tegemise ajal.

Q-1	Langemissuund	Q-3	Tagasilõige
Q-2	Sälk	Q-4	Toetuspunkt ehk „hing“

Tagasilõige

- Tehke tagalõige samale kõrgusele kui horisontaalne säklõige, nagu on näidatud joonisel Q. Jälgige, et tagalõige oleks eesmise horisontaalse säklõikega paralleelne. Tehke tagalõige selliselt, et jääks alles piisav kogus puitu, mis toimiks toetuspunktina. Toetuspunkt hoiab ära puu keerdumise ning vales suunas kukkumise. Ärge lõigake toetuspunkti läbi.
- Kui jõuate tagasilõikega toetuspunkti lähedale, peaks puu kukkuma hakkama. Kui on väikene jõud, et puu ei lange soovitud suunas või võib tagasi painduda ja sae keti kinnikiilumist põhjustada, katkestage saagimine enne, kui tagasilõige on lõpetatud ja lõpetage langetamine puidust, plastist või alumiiniumist kiilude abil, et suunata puu soovitud suunda.
- Kui tüveosa hakkab langema, võtke kettsaag lõike seest ära, peatage mootor ja aktiveerige ketipidur. Jälgige kukkuda võivaid oksa ja oma jalgesist.

HOOLDUS

⚠ HOIATUS: Hooldusel ja remontimisel kasutage vaid originaalvaruosi. Mis tahes muude osade kasutamine võib põhjustada ohtlikke olukordi või toodet vigastada. Turvalisuse ja vastupidavuse tagamiseks peab kõiki parandustöid läbi viima kvalifitseeritud hooldustehnik.

⚠ HOIATUS: Tõsiste kehavigastuste vältimiseks eemaldage enne masina kontrollimist, puhastamist ja hooldamist akuplokk alati masina küljest. Aku jõul töötav tööriist on ühendatud akuploki korral alati kasutusvalmis ja võib juhuslikult käivituda.

⚠ HOIATUS: Kettsae puhastamisel ÄRGE kastke seda vette ega ühegi teise vedeliku sisse.

⚠ HOIATUS: Ärge kunagi laske pidurivedelikel, bensiinil, naftabaasil toodetel, läbitungivatel õlidel jms puutuda kokku plastosadega. Kemikaalid võivad plasti vigastada, nõrgestada või hävitada, mille tulemusena võivad tekkida rasked kehavigastused.

PUHASTAMINE

- Pärast iga kasutuskorda puhastage kett ja juhtlatti pehme harjaga. Pühkige sae pind puhta, lahja seebilahusega niisutatud lapiga puhtaks.

- Eemaldage küljekate ja puhastage juhtlatt, sae kett, ketiratas ja küljekate pehme harjaga mustusest.
- Saeketi vahetamisel eemaldage juhtlatti soonest alati puidutükid, saepuru ja mustus.

JUHTLATI HOOLDAMINE

Kui juhtlatt on kulunud, eemaldage see kettsae toitepea küljest ja pange see teistpidi tagasi (joonis R1). Nii saab kulumist jaotada ja seega latti eluiga maksimaalselt ära kasutada.

Latti tuleks igapäevaselt puhastada ning pärast puhastamist kontrollida, ega see kulunud või kahjustatud pole. Latti relsside narmastumine või karestumine on normaalne kulumisprotsess. Sellised vead tuleks ilmnemisel kohe viiliga siluda. Allpool mainitud vigadega latti tuleb välja vahetada.

- Latti relsside niisugune kulumine, mille tõttu võib kett küllili minna.
- Paindunud juhtlatti.
- Möranenud või katkised relsid.
- Laiali vajunud relsid.

Lisaks asub juhtlatti tipu juures ketiratas (joonis R2). Juhtlatti tööea pikendamiseks tuleb ketiratast igal nädalal õlitada. Iganädalasel õlitamisel kasutage ketiõliga täidetud õlisüstalt ja lisage õli läbi määrdeava (joonis R3). Pöörake juhtlatti ja veenduge, et määrdeavad ja keti soon oleks puhtad ja korras.

R-1	Juhtlatti tipu juures asuv ketiratas
R-2	Määrdeava

TRANSPORTIMINE JA HOUSTAMINE

- Ärge transportige ega hoiustage töötavat kettsaagi. Hooldamise ja transportimise ajaks eemaldage alati akuplokk.
- Enne kettsae hoiustamist ja transportimist asetage juhtlatti ja keti peale alati juhtlatti kaitse. Olge ettevaatlik ja vältige keti teravaid hambaid.
- Kandke toodet alati käepidemest.
- Kaitske toodet mis tahes tugeva löögi või tugeva vibratsiooni eest, mis võib tekkida sõidukites transportimisel.
- Enne hoiustamist puhastage kettsaag põhjalikult ja tühjendage õlimahuti. Hoidke saagi sisetingimustes, kuivas, lukustatud ja lastele kättesaamatus kohas.
- Hoidke seda eemal korrodeerivatest ainetest (nt aiakemikaalid ja jääsulatussoolad).

KESKKONNAKAITSE



Ärge visake elektriseadmeid, kasutatud akut ega laadurit olmeprügi hulka!

Viige toode volitatud taaskäitleja juurde ja võimaldage selle komponendid sorteerituna kõrvaldada. Elektritööriistad tuleb viia keskkonnakaitseasutuste järgivasse jäätmekäitluskeskusesse.

TÕRKEOTSING

⚠ HOIATUS: Käte kaitsmiseks kandke saeketi hooldamisel alati tugevast materjalist kindaid. Ketsae hooldamise ja transportimise ajaks eemaldage alati akuplokk.

PROBLEEM	PÕHJUS	LAHENDUS
Mootor ei tööta.	<ul style="list-style-type: none"> ■ Aku pole saele kinnitatud. ■ Sae ja aku vahel puudub elektriline ühendus. ■ Aku on tühi. ■ Aku või kettsaag on liiga kuumad. ■ Enne päästikule vajutamist ei vajutatud lukustusnuppu. ■ Ketipidur on aktiivne. ■ Sae kett on puidu sisse kinni jäänud. ■ Juhtlati soones on mustust. ■ Külgaktes on mustust. ■ Kasutatakse 4,0 Ah või suurema mahutavusega akut. 	<ul style="list-style-type: none"> ■ Kinnitage akuplokk sae külge. ■ Eemaldage akuplokk, kontrollige ühendusi ja pange akuplokk tagasi. ■ Laadige akut. ■ Laske akul või kettsael jahtuda, kuni temperatuur langeb soovitatud töötemperatuuri vahemikku. ■ Ketsae sisselülitamiseks vajutage lukustusnuppu ja hoidke seda all ning seejärel suruge päästik alla. ■ Tõmmake keti tagasilöögipiduri hoob tagasi eesmise käepideme poole tööasendisse. ■ Vabastage päästik; eemaldage sae kett ja juhtlatti puidu küljest ning käivitage saag uuesti. ■ Mustuse eemaldamiseks suruge sae kett vastu puitu ning liigutage saagi edasi-tagasi. ■ Eemaldage akuplokk ning seejärel küljekate ja puhastage seade mustusest. ■ Kasutage ainult koos EGO 2,5 Ah akudega BA1400 ja BA1400T.
Kettsaag peatub ootamatult töötamise ajal.	<ul style="list-style-type: none"> ■ Kettsaag on ülekoormatud. ■ Aku või kettsaag on liiga kuumad. ■ Sae kett on puidu sisse kinni jäänud. 	<ul style="list-style-type: none"> ■ Vähendage koormust. ■ Laske akul või kettsael jahtuda, kuni temperatuur langeb soovitatud töötemperatuuri vahemikku. ■ Vabastage päästik; eemaldage sae kett ja juhtlatti puidu küljest ning käivitage saag uuesti.
Mootor töötab, aga kett ei käi ringi.	<ul style="list-style-type: none"> ■ Kett ei haaku ketirattaga. 	<ul style="list-style-type: none"> ■ Eemaldage akuplokk ja paigaldage kett uuesti, jälgides, et selle lülid on korrektselt hammaste vahel.
Ketipidur ei tööta.	<ul style="list-style-type: none"> ■ Mustus takistab keti tagasilöögipiduri laba täies ulatuses liikumist. ■ Võimalik ketipiduri rike. 	<ul style="list-style-type: none"> ■ Eemaldage väliselt ketipidurilt mustus. ■ Lõpetage kohe mootorsae kasutamine! Küsige abi EGO hoolduskeskusest.

ET

PROBLEEM	PÕHJUS	LAHENDUS
Kettsaag ei löika korralikult.	<ul style="list-style-type: none"> ■ Ebapiisav keti pinge. ■ Lõtv kett. ■ Kett on paigaldatud tagurpidi. ■ Kulunud kett. ■ Kuiv või liigselt pinguldatud kett. ■ Kett pole lati hammastiku vahel. 	<ul style="list-style-type: none"> ■ Muutke keti pinguldatust vastavalt teabele alapunktis „KETI PINGE REGULEERIMINE“. ■ Teritage kett. ■ Paigaldage saekett tagasi, järgides juhiseid jaotises „JUHTLATI JA KETI KOKKUPANEK/VÄLJAVAHETAMINE“. ■ Asendage kett vastavalt juhiste jaoks jaotises „JUHTLATI JA KETI KOKKUPANEK/VÄLJAVAHETAMINE“. ■ Kontrollige õlitaset. Vajadusel lisage õli. ■ Paigaldage saekett tagasi vastavalt juhiste jaoks jaotises „JUHTLATI JA KETI KOKKUPANEK/VÄLJAVAHETAMINE“.
Tavapärasel kasutusel tuleb kett lahti või kukub juhtlatilt ära.	<ul style="list-style-type: none"> ■ Tavaliselt keti temperatuur töö käigus tõuseb ja seetõttu tuleb kett lahti. ■ Kett ei haaku ketirattaga. 	<ul style="list-style-type: none"> ■ Pinguldage ketti, järgides juhiseid jaotises „KETI PINGE REGULEERIMINE“. ■ Paigaldage saekett tagasi vastavalt juhiste jaoks jaotises „JUHTLATI JA KETI KOKKUPANEK/VÄLJAVAHETAMINE“.
Juhtlatt ja kett on kuumad ja suitsevad.	<ul style="list-style-type: none"> ■ Kontrollige, ega kett ei oleks ülepingutatud. ■ Ketiõli paak on tühi. ■ Juhtlati soones on mustust. 	<ul style="list-style-type: none"> ■ Reguleerige keti pinget, järgides juhiseid jaotises „KETI PINGE REGULEERIMINE“. ■ Lisage mahutisse lati ja keti mäaret. ■ Mustuse eemaldamiseks suruge sae kett vastu puitu ning liigutage saagi edasi-tagasi.

GARANTII

EGO GARANTIIPÕHIMÕTTED

Täielikud EGO garantiitingimused leiate veebilehelt egopowerplus.eu.

ET

ПРОЧИТАЙТЕ ВСІ ІНСТРУКЦІЇ!



ПРОЧИТАЙТЕ ПОСІБНИК З ЕКСПЛУАТАЦІЇ

⚠ ПОПЕРЕДЖЕННЯ. Для гарантування безпеки та надійності всі ремонтні роботи повинен проводити кваліфікований технічний спеціаліст.

⚠ ПОПЕРЕДЖЕННЯ. Перш ніж користуватися цим інструментом, обов'язково ознайомтеся з усіма інструкціями з безпеки, наведеними в цьому посібнику користувача, зокрема з усіма символами попереджень, такими як «**НЕБЕЗПЕКА**», «**ПОПЕРЕДЖЕННЯ**» та «**ЗАСТЕРЕЖЕННЯ**». Недотримання наведених нижче вказівок може спричинити ураження електричним струмом, пожежу та/або серйозні травми.

ЗБЕРІГАЙТЕ ВСІ ПОПЕРЕДЖЕННЯ ТА ІНСТРУКЦІЇ ДЛЯ ВИКОРИСТАННЯ В МАЙБУТНЬОМУ.

СИМВОЛИ, ЩО СТОСУЮТЬСЯ БЕЗПЕКИ

⚠ ПОПЕРЕДЖЕННЯ. Використання будь-яких машин може призвести до потрапляння сторонніх предметів в очі, що може спричинити серйозне пошкодження очей. Перед початком експлуатації електроінструмента завжди надягайте закриті захисні окуляри або відкриті захисні окуляри з бічними щитами та, якщо потрібно, повнопрофільну захисну маску. Ми рекомендуємо захисну маску широкого розміру для використання поверх окулярів або стандартні відкриті захисні окуляри з бічними щитами.



Попередження щодо безпеки



Щоб зменшити ризик травми, користувач повинен ознайомитися з інструкцією користувача перед використанням цього виробу.



Надягайте засоби захисту очей



Надягайте засоби захисту органів слуху



Надягайте засоби захисту голови



Надягайте захисні рукавиці



Віддача напрямної шини



Завжди використовуйте ланцюгову пилу двома руками



Остерігайтеся віддачі ланцюгової пили й уникайте контакту з кінцем шини



Інформація про напрямну шину



Гарантований рівень звукової потужності. Розповсюдження шуму в навколишнє середовище згідно з директивою Європейського співтовариства.



Відходи електричних виробів не слід викидати разом із побутовим сміттям. Зверніться до авторизованого пункту переробки.

UK



Цей виріб відповідає чинним директивам ЄС.

**UK
CA**

Цей виріб відповідає чинному законодавству Великобританії.



Постійний струм

IPX4

Захист від бризок води

мм Міліметр

n_0 Швидкість холостого ходу

V Напряга

.. /хв На хвилину

ТЕХНІЧНІ ХАРАКТЕРИСТИКИ

Номинальна напруга	56 В
Макс. Швидкість ланцюга	20 м/с
Крок ланцюга	1/4" (6,4 мм)
Калібр ланцюга	1,1 мм
Довжина напрямної шини	300 мм
Модель пильного ланцюга	АС1204Q (рекомендовано)
	АС1000Q (сумісний)
Модель напрямної шини	AG1000Q (сумісний)
Модель комплекту ланцюга та шини для пили	AK1204Q (рекомендовано)
Об'єм оливної бачка ланцюга	150 мл
Вага (без акумуляторної батареї, пильного ланцюга, напрямної шини, бічної кришки, мастила та кожуха ланцюга)	1,9 кг
Діапазон рекомендованих робочих температур	-15°C ... +40°C
Діапазон рекомендованих температур зберігання	-20°C ... +70°C
Рекомендована температура під час заряджання	5°C ... +40°C
Вимірний рівень звукової потужності L_{WA}	97 дБ(А) K=3,6 дБ(А)
Рівень звукового тиску на робочому місці L_{PA}	89 дБ(А) K=3 дБ(А)
Гарантований рівень звукової потужності L_{WA} (відповідно до стандарту 2000/14/ЄС)	101 дБ(А)
Вібрація a_n	Передня ручка 2,64 м/с ² K=1,5 м/с ²
	Задня ручка 2,05 м/с ² K=1,5 м/с ²

- Вказане загальне значення вібрації виміряне за стандартним методом тестування і може використовуватися для порівняння одного інструмента з іншим;
- Заявлене сумарне значення вібрації може також використовуватись для попередньої оцінки впливу.

ПРИМІТКА. Емісія вібрації під час фактичного використання електрострументу може відрізнятись від заявленої величини, у якій використовується

інструмент. Щоб захистити оператора, користувач повинен одягати рукавички та захисні навушники в реальних умовах використання.

ПАКУВАЛЬНИЙ СПИСОК (РИС. А1)

ОПИС

ОЗНАЙОМЛЕННЯ З ЛАНЦЮГОВОЮ ПИЛОЮ (рис. А1)

1. Пилкова шина
2. Пилковий ланцюг
3. Важіль гальма віддачі ланцюга
4. Задня ручка
5. Передня ручка
6. Віконце для перевірки мастила
7. Кришка бачка для мастила
8. Запірний язичок
9. Пусковий перемикач
10. Кнопка звільнення акумулятора
11. Бічна кришка
12. Гайка шини
13. Гвинт натягу
14. Змашувальний отвір
15. Кожух ланцюга
16. Кріплення для шнурка
17. Комбінований ключ

ЗБИРАННЯ

УСТАНОВЛЕННЯ/ЗАМІНА ШИНИ ТА ЛАНЦЮГА

⚠ ПОПЕРЕДЖЕННЯ. Перед виконанням будь-яких робіт зі збирання або обслуговування переконайтеся, що акумуляторну батарею вийнято. Недотримання цього попередження може призвести до серйозних травм.

⚠ ПОПЕРЕДЖЕННЯ. Перед збиранням установіть важіль гальма віддачі ланцюга в положення гальмування.

⚠ ПОПЕРЕДЖЕННЯ. Завжди носіть рукавички, коли берете руками шину та ланцюг. Ці компоненти гострі і можуть мати задирки.

1. Покладіть приводну головку ланцюгової пили набік бічною кришкою вгору (рис. В).
2. Зніміть бічну кришку, повернувши гайку шини проти годинникової стрілки.

UK

3. Поверніть натяжний гвинт проти годинникової стрілки, щоб послабити натяг ланцюга.
4. Розкладіть пильний ланцюг по колу на рівну поверхню і вирівняйте будь-які перекручування (рис. С).
5. Установіть приводні ланки ланцюга в паз напрямної шини та з'єднайте ланцюг колом ззаду напрямної шини (рис. D).
6. Тримайте ланцюг у положенні на напрямній шині та розташуйте петлю навколо зірочки пили (рис. E1).

D-1	Повідна ланка ланцюга	E-2	Вирівнювальні фланці
D-2	Паз пилкової шини	E-3	Натяжний штифт
E-1	Ведуча зірочка	E-4	Затискний болт

ПРИМІТКА. Під час намотування пильяного ланцюга на напрямну шину переконайтеся, що після встановлення напрямної шини на пилу орієнтація ріжучого полотна збігається зі знаком ріжучого полотна та стрілкою напрямку обертання на корпусі пили (рис. E1). Якщо вони спрямовані в протилежні сторони, знову встановіть пильяний ланцюг на напрямну шину так, щоб різці були спрямовані в одному напрямку (рис. E2).

7. Помістіть напрямну шину на кріпильну поверхню, насунувши паз напрямної шини на вирівнювальні фланці. Переконайтеся, що напрямна шина правильно розташована над кріпильним болтом і натяжним штифтом.
8. Установіть бічну кришку на корпус ланцюгової пили (рис. E3) та повністю затягніть гайку шини.

ПРИМІТКА. Під час збирання та технічного обслуговування металева пластина під напрямною шиною (рис. F) може піднятися вгору. Якщо це сталося, ретельно очистьте зазор між цією металевою частиною та корпусом і поверніть металеву пластину назад, щоб вона була **на одному рівні з корпусом**. Якщо металеву пластину не очистити й не розмістити належним чином, це призведе до зміщення напрямної шини.

9. Поверніть ланцюг вручну, щоб перевірити, чи ланцюг зібраний правильно, без заїдань. В іншому разі зберіть ланцюг і шину заново.

ПРИМІТКА. Щоб продовжити термін служби напрямної шини, іноді перевертайте шину.

РЕГУЛЮВАННЯ НАТЯГУ ЛАНЦЮГА

- Зупиніть мотор і вийміть акумулятор, перш ніж регулювати натяг ланцюга. Повертайте натяжний гвинт за годинниковою стрілкою або проти годинникової стрілки, щоб відрегулювати натяг ланцюга (рис. F), доки ланцюг не буде щільно прилягати до напрямної шини, а ведучі ланки не опиняться в пазу напрямної шини.
- Ланцюг натягнуто правильно, якщо немає провисання на нижній напрямній шини, ланцюг сидить щільно, але його можна повернути рукою без застрягання. Ланцюг необхідно натягувати щоразу, коли плоска поверхня на приводних ланках не сидить у пазу.
- Під час нормальної роботи пили температура ланцюга буде збільшуватися. Приводні ланки правильно натягнутого теплового ланцюга провисатимуть приблизно на 1–2 мм) з паза шини (рис. G).

ПРИМІТКА. Нові ланцюги мають тенденцію до розтягування. Часто перевіряйте натяг ланцюга в міру необхідності.

ПРИМІТКА. Ланцюг, натягнутий у теплом стані, може бути занадто тугим після охолодження. Перевірте холодний натяг перед наступним використанням.

ЕКСПЛУАТАЦІЯ

⚠ ПОПЕРЕДЖЕННЯ. Знання виробу не має робити вас недбалим. Пам'ятайте, що півсекунди неухважності досить для серйозної травми.

⚠ ПОПЕРЕДЖЕННЯ. Не використовуйте приладдя чи насадки, не рекомендовані виробником цього пристрою. Використання нерекomenдованого приладдя чи насадок може призвести до серйозних травм.

⚠ ПОПЕРЕДЖЕННЯ. Щоб запобігти випадковому запуску, що може спричинити серйозні травми, завжди виймайте акумуляторну батарею з інструмента під час монтажу деталей, регулювання, очищення або коли він не використовується.

Перед кожним використанням перевіряйте весь виріб на предмет пошкоджень, відсутності або послаблення деталей, таких як гвинти, гайки, болти, кришки тощо. Закріпіть усі затискачі та ковпачки і не використовуйте цей прилад, доки не будуть замінені всі відсутні або пошкоджені деталі.

ЗАСТОСУВАННЯ

Ви можете використовувати цей виріб для базового різання на дереві.

⚠ ПОПЕРЕДЖЕННЯ. Не використовуйте цю ланцюгову пилу на дереві, якщо ви не пройшли спеціальну підготовку. Робота ланцюговою пилою на дереві без належної підготовки може збільшити ризик отримання серйозних травм.

ПРИМІТКА. Цей інструмент має використовуватись тільки за призначенням. Будь-яке інше використання вважається випадком використання не за призначенням.

ДОДАВАННЯ МАСТИЛА ДЛЯ ШИНИ ТА ЛАНЦЮГА

⚠ ПОПЕРЕДЖЕННЯ. Не паліть і не наближайте джерела вогню або полум'я до мастила чи ланцюгової пили. Мастило може розлитись і спричинити пожежу.

ПРИМІТКА. Ланцюгова пила не наповнена мастилом у момент покупки. Перед використанням необхідно заповнити бачок мастилом. Ланцюг автоматично змащується ланцюговим мастилом під час роботи, якщо в бачку достатньо мастила.

1. Покладіть ланцюгову пилу набік кришкою бака догори.
2. Очистьте кришку бачка для мастила та ділянку навколо неї, щоб бруд не потрапив у бачок.
3. Підніміть напівкруглу пластину та поверніть кришку бачка для мастила проти годинникової стрілки, щоб зняти її (рис. Н).
4. Обережно наливайте мастило для шини і ланцюга. Заповніть до нижньої частини заливної горловини.
5. Протріть зайве мастило і встановіть на місце кришку.

ПРИМІТКА. Часто перевіряйте рівень мастила і доливайте, коли він опускається нижче мінімальної позначки. Ніколи не вмикайте ланцюгову пилу, якщо не видно мастила.

ВИКОРИСТАННЯ ВУШКА ДЛЯ ШНУРКА (рис. Н)

⚠ ПОПЕРЕДЖЕННЯ. Завжди закривайте ланцюг і напрямку шини футляром ланцюга, коли підвішуєте ланцюгову пилу на ремені для інструменту. Пильний ланцюг гострий і може спричинити серйозні травми.

⚠ ПОПЕРЕДЖЕННЯ. Переконайтеся, що шнурок достатньо міцний, щоб витримати сукупну вагу ланцюгової пили та акумуляторної батареї. Падіння ланцюгової пили може призвести до серйозних травм і пошкодження майна.

УСТАНОВЛЕННЯ І ВИДАЛЕННЯ АКУМУЛЯТОРА

Використовуйте лише акумулятори та зарядні пристрої EGO, перелічені на рис. А2.

Повністю зарядіть перед першим використанням.

Установлення

Вирівняйте виступи на акумуляторі з кріпильними отворами та натисніть на акумуляторну батарею, доки не почуєте «клацання» (рис. І).

Видалення

Натисніть кнопку звільнення акумулятора та витягніть акумуляторну батарею (рис. J).

⚠ ПОПЕРЕДЖЕННЯ. Для збереження комфортної рівноваги під час різання використовуйте тільки з акумуляторною батареєю BA1400/BA1400T.

ЗАПУСК/ЗУПИНКА ЛАНЦЮГОВОЇ ПИЛИ

ПРИМІТКА. Перед запуском ланцюгової пили перевірте рівень мастила, натяг ланцюга, гостроту зубців і правильну роботу важеля гальма віддачі. Крім того, необхідно тримати рівновагу та належну відстань від землі.

Запуск (рис. К)

1. Потягніть ручку гальма віддачі в напрямку передньої рукоятки в робоче положення (рис. К).
2. Міцно тримайте передню ручку лівою рукою, а задню ручку – правою.

⚠ ПОПЕРЕДЖЕННЯ. Щоб уникнути травм, завжди використовуйте ланцюгову пилу, тримаючись правою рукою за область захвату задньої рукоятки (рис. L).

3. Перемістіть стопорний язичок вперед, а потім натисніть пусковий перемикач, щоб запустити пилу (рис. L).

L-1	Область захвату
-----	-----------------

4. Відпустіть стопорний язичок і продовжуйте натискати пусковий перемикач для продовження роботи.
5. Що сильніше натиснуто пусковий перемикач, то більша швидкість ланцюга. Відрегулюйте швидкість відповідно до поставленого завдання.

⚠ ПОПЕРЕДЖЕННЯ. Не намагайтеся запустити пилу, коли ланцюг пили в пропилі.

Зупинка

1. Перемістіть ланцюгову пилу від зони різання, а потім відпустіть пусковий перемикач, щоб зупинити

UK

пилу.

2. Натисніть важіль гальма віддачі ланцюга вперед у положення гальмування, щоб задіяти гальмо ланцюга (рис. К).

⚠ ПОПЕРЕДЖЕННЯ. Завжди виймайте акумуляторну батарею з інструмента під час перерв у роботі та після закінчення роботи.

ПРАВИЛЬНЕ ТРИМАННЯ РУЧОК (РИС. М)

- Носіть нековзні рукавички для максимального зчеплення і захисту.
- Поклавши пилу на міцну, рівну поверхню, міцно тримайте її обома руками.
- Завжди тримайте передню ручку лівою рукою, а задню ручку – правою.
- Пальці мають охоплювати ручку, великий палець має бути під передньою ручкою.

⚠ ПОПЕРЕДЖЕННЯ. Ніколи не беріться лівою рукою за ручку (не перехресцуйте руки) і не приймайте положення, при якому ваше тіло або рука перетинало б лінію ланцюга.

⚠ ПОПЕРЕДЖЕННЯ. Не натискайте на пусковий перемикач лівою рукою і тримайтеся правою рукою за передню ручку. У жодному разі не допускайте, щоб будь-яка частина вашого тіла перебувала на лінії ланцюга під час роботи з ланцюговою пилою (рис. N).

ПРАВИЛЬНА ПОСТАВА ДЛЯ РІЗАННЯ (РИС. О)

- Обидві ноги мають бути на твердій поверхні, при чому вага має бути рівномірно розподілена між ними.
- Ліва рука має бути прямою, лікоть зафіксований. Це допомагає протистояти силам, утвореним віддачею.
- Ваше тіло завжди має бути ліворуч від лінії ланцюга.

ПОШИРЕНІ ТЕХНІКИ РІЗАННЯ

⚠ ПОПЕРЕДЖЕННЯ. Завжди стійте на ногах упевнено і міцно тримайте ланцюгову пилу обома руками під час роботи мотора.

⚠ ПОПЕРЕДЖЕННЯ. Коли пильний ланцюг зупиняється через затискання під час різання, відпустіть пусковий вимикач; зніміть пильний ланцюг та напрямну шину з деревини, а потім знову запустіть ланцюгову пилу.

⚠ ПОПЕРЕДЖЕННЯ. Не тягніть ланцюгову пилу рукою, якщо в ній застрягла тирса. Якщо ланцюгова пила запускається випадково, це може призвести до серйозної травми. Притисніть пильний ланцюг до дерева, переміщуйте ланцюгову пилу назад і вперед,

щоб скинути сміття. Завжди виймайте акумуляторну батарею перед чищенням. Під час роботи з ланцюгом використовуйте міцні захисні рукавички.

⚠ ПОПЕРЕДЖЕННЯ. Ніколи не запускайте ланцюгову пилу, коли вона контактує з деревиною. Завжди давайте ланцюговій пилі досягти повної швидкості, перш ніж застосовувати пилу до деревини.

⚠ ПОПЕРЕДЖЕННЯ. Ця ланцюгова пила з верхньою ручкою не призначена для роботи на землі, тому цей посібник не містить інструкцій з валки дерев, обрізання сучків і розпилювання дерев.

⚠ ПОПЕРЕДЖЕННЯ. Ці інструкції стосуються цієї ланцюгової пили з верхньою ручкою, призначеної виключно для пиляння дерев сертифікованими фахівцями з обслуговування дерев, які пройшли відповідну підготовку.

⚠ ПОПЕРЕДЖЕННЯ. Спилування частинами може призвести до травм. Його має виконувати тільки навчена людина.

⚠ ПОПЕРЕДЖЕННЯ. Початківцям варто потренуватися розпилювати колоди на пильних козлах або платформах.

⚠ ПОПЕРЕДЖЕННЯ. Не працюйте на деревах у сильний вітер.

⚠ ПОПЕРЕДЖЕННЯ. Перед початком роботи переконайтеся, що всі сторонні особи перебувають поза зоною падіння.

⚠ ПОПЕРЕДЖЕННЯ. Завжди перебувайте та тримайте своє обладнання подалі від матеріалу, що видаляється.

⚠ ЗАСТЕРЕЖЕННЯ. Перед роботою на дереві переконайтеся, що акумулятор повністю заряджений.

Підрізання (рис. P)

Виконайте наведені нижче дії для запобігання пошкодженню кори дерева або куца. Не використовуйте рух пиляння вперед і назад.

1. Зробіть неглибокий перший зріз (1/3 діаметра гілки) на нижній стороні гілки близько до головної гілки або стовбура.
2. Зробіть другий зріз від верхньої сторони гілки з зовнішнього боку першого розрізу. Продовжуйте розрізання гілки, доки вона не відділиться від дерева. Будьте готові збалансувати вагу інструмента і переконайтеся, що ви тримаєте його на достатній відстані, перед завершенням різання.
3. Зробіть остаточний зріз близько до стовбура.

Спилювання частинами

Перед спилюванням частинами видаліть кору, цвяхи, скоби та дріт із дерева, на якому потрібно зробити надрізи.

Виконання надрізу

Зробіть проріз на 1/4 діаметра дерева перпендикулярно напрямку падіння, як показано на рис. Q. Спочатку зробіть вирізку нижньої горизонтальної виїмки. Це допоможе уникнути затискання ланцюга пили або напрямної штанги під час вирізання другої виїмки.

Q-1	Напрямок падіння	Q-3	Пропил із протилежної сторони зрубання
Q-2	Виріз	Q-4	Шарнір

Пропил із протилежної сторони зрубання

- Виконайте пропил із протилежної сторони зрубання на висоті горизонтальної виїмки, як показано на рис. Q. Пропил із протилежного боку має бути паралельний горизонтальній виїмці. Зробіть пропил із протилежного боку вирубання так, щоб деревина діяла як шарнір. Він не дає дереву скручуватися та падати в неправильному напрямку. Не прорізайте шарнір.
- Коли пропил із протилежного боку наближається до шарніра, дерево має почати падати. Якщо є ймовірність, що дерево може впасти не в потрібному напрямку або може перехилитися назад і затиснути пильний ланцюг, припиніть різання до повного розрізання вирубки та використовуйте клини з дерева, пластику або алюмінію, щоб відкрити пропил і повалити дерево по потрібній лінії падіння.
- Коли частина дерева почне падати, відведіть ланцюгову пилу від пропили, вимкніть мотор і активуйте гальмо ланцюга. Будьте обережні, коли падають верхні гілки, і добре стійте на ногах.

ОБСЛУГОВУВАННЯ

⚠ ПОПЕРЕДЖЕННЯ. Використовуйте для технічного обслуговування лише ідентичні запчастини. Використання будь-яких інших частин створює небезпеку або може призвести до поломки виробу. Для гарантування безпеки та надійності всі ремонтні роботи повинен проводити кваліфікований технічний спеціаліст.

⚠ ПОПЕРЕДЖЕННЯ. Щоб уникнути серйозних травм, завжди виймайте акумуляторну батарею з виробу, перш ніж проводити огляд, чистити або виконувати будь-яке технічне обслуговування.

Акумуляторний інструмент із вставленим акумулятором завжди ввімкнений і може випадково запуститися.

⚠ ПОПЕРЕДЖЕННЯ. Під час чищення ланцюгової пили НЕ занурюйте її у воду чи інші рідини.

⚠ ПОПЕРЕДЖЕННЯ. Ніколи не допускайте контакту пластмасових частин із гальмівною рідиною, бензином, нафтопродуктами, проникаючими оліями і т. ін. Хімікати можуть пошкодити, ослабити або зруйнувати пластмасу, а це загрожує серйозними травмами.

ЧИЩЕННЯ

- Після кожного використання очистьте сміття з ланцюга та напрямної шини м'якою щіткою. Протріть поверхню ланцюгової пили чистою тканиною, змоченою м'яким розчином мила.
- Зніміть бічну кришку, а потім скористайтеся м'якою щіткою, щоб видалити сміття з напрямної шини, пильного ланцюга, зірочки та бічної кришки.
- Завжди вичищайте деревну стружку, пил і бруд із паза напрямної шини під час заміни пильного ланцюга.

ДОГЛЯД ЗА НАПРЯМНОЮ ШИНОЮ

Коли на напрямній шині з'являються ознаки зносу, зніміть її з приводної головки пили і переверніть її для повторного розбирання та збирання (рис. R1). Таким чином, знос буде розподілений, що продовжить термін служби напрямної шини.

Шину слід чистити кожен день після користування та перевіряти на предмет зносу та пошкодження. Утворення нальоту або задирок на рейках шини є нормальним процесом її зносу. Такі дефекти слід згладжувати напилком, щойно вони з'являться. Шину з будь-якими з наведених нижче дефектів слід замінити.

- Знос всередині рейок шини, що дає ланцюгу змогу лягати на бік.
- Зігнута напрямна шина.
- Тріснуті або зламані рейки.
- Рейки, що розійшлися.

Крім того, напрямна шина має зірочку на кінці (рис. R2). Зірочку потрібно змащувати щотижня за допомогою масляного шприца, щоб продовжити термін служби напрямної шини. Використовуйте мастильний шприц для щотижневого змащення мастилом для ланцюга через змащувальний отвір (рис. R3). Поверніть напрямну шину та перевірте, чи в змащувальних отворах і пазу ланцюга немає забруднень.

UK

R-1	Зірочка на кінці прямої шини
R-2	Змащувальний отвір

ТРАНСПОРТУВАННЯ ТА ЗБЕРІГАННЯ

- Не зберігайте та не переміщуйте ланцюгову пилу, коли вона працює. Завжди виймайте акумуляторну батарею перед зберіганням або транспортуванням.
- Завжди накладайте футляр ланцюга на пряму шину та ланцюг, перш ніж зберігати або транспортувати ланцюгову пилу. Будьте обережні, щоб уникнути гострих зубців ланцюга.
- Завжди носіть виріб за передню ручку.
- Захищайте виріб від сильних ударів або сильних вібрацій, які можуть виникнути під час транспортування в транспортних засобах.
- Перед зберіганням ретельно очистьте ланцюгову пилу та спорожніть мастильний бачок. Зберігайте ланцюгову пилу в місці, недоступному для дітей.
- Тримайте подалі корозійні агенти, такі як садові хімікати та солі проти ожеледі.

ЗАХИСТ ДОВКІЛЛЯ



Не викидайте електричне обладнання, акумулятор і зарядний пристрій у побутові відходи!

Віднесіть цей виріб авторизованому переробнику й надайте його для роздільного збирання. Електроінструменти необхідно повернути в підприємство, що займається екологічно безпечною переробкою.

УСУНЕННЯ НЕСПРАВНОСТЕЙ

▲ ПОПЕРЕДЖЕННЯ. Завжди захищайте руки, одягаючи міцні рукавички під час виконання будь-якого технічного обслуговування на пильних ланцюгах. Під час обслуговування або транспортування ланцюгової пили завжди виймайте акумуляторну батарею.

НЕСПРАВНІСТЬ	ПРИЧИНА	ВИРІШЕННЯ
Мотор не працює.	<ul style="list-style-type: none"> ■ Акумуляторна батарея не приєднана до ланцюгової пили. ■ Немає електричного контакту між пилою та акумулятором. ■ Акумуляторна батарея розряджена. ■ Акумулятор або ланцюгова пила занадто гарячі. ■ Запірний язичок не натиснуто перед натисканням на пусковий перемикач. ■ Гальмо ланцюга задіяне. ■ Пильний ланцюг застряг у деревині. ■ Сміття в пазу. ■ Сміття в бічній кришці. ■ Використовується акумуляторна батарея ємністю 4,0 А·год або більше. 	<ul style="list-style-type: none"> ■ Під'єднайте акумулятор до ланцюгової пили. ■ Вийміть акумуляторну батарею, перевірте контакти та знову встановіть акумуляторну батарею. ■ Зарядіть акумуляторну батарею. ■ Дайте акумулятору або ланцюговій пилі охолонути, доки температура не впаде до рекомендованого діапазону робочих температур. ■ Натисніть запірний язичок і утримуйте його, а потім натисніть на пусковий перемикач, щоб увімкнути ланцюгову пилу. ■ Потягніть важіль гальма віддачі назад у напрямку передньої рукоятки в робоче положення. ■ Відпустіть пусковий викидач; зніміть пильний ланцюг і напрямну шину з дерева, а потім знову запустіть ланцюгову пилу. ■ Притисніть пильний ланцюг до дерева, переміщуйте ланцюгову пилу назад і вперед, щоб скинути сміття. ■ Вийміть акумуляторну батарею, потім зніміть бічну кришку та приберіть сміття. ■ Використовуйте тільки з акумуляторними батареями BA1400 і BA1400T EGO ємністю 2,5 А·год.
Ланцюгова пила несподівано зупиняється під час роботи.	<ul style="list-style-type: none"> ■ Ланцюгова пила перевантажена. ■ Акумулятор або ланцюгова пила занадто гарячі. ■ Пильний ланцюг застряг у деревині. 	<ul style="list-style-type: none"> ■ Зменште навантаження. ■ Дайте акумулятору або ланцюговій пилі охолонути, доки температура не впаде до рекомендованого діапазону робочих температур. ■ Відпустіть пусковий викидач; зніміть пильний ланцюг і напрямну шину з дерева, а потім знову запустіть ланцюгову пилу.

НЕСПРАВНІСТЬ	ПРИЧИНА	ВИРІШЕННЯ
Мотор працює, але ланцюг не обертається.	<ul style="list-style-type: none"> ■ Ланцюг не зачіпляє приводну зірочку. 	<ul style="list-style-type: none"> ■ Вийміть акумуляторну батарею та встановіть ланцюг, переконавшись, що приводні ланки ланцюга повністю розташовані на зірочці.
Гальмо ланцюга не спрацьовує.	<ul style="list-style-type: none"> ■ Сміття заважає повному руху важеля гальма віддачі ланцюга. ■ Можлива несправність гальма ланцюга. 	<ul style="list-style-type: none"> ■ Приберіть сміття з механізму гальма зовнішнього ланцюга. ■ Негайно припиніть використання ланцюгової пили! Зверніться до клієнтської служби EGO для ремонту.
Ланцюгова пила не ріже належним чином.	<ul style="list-style-type: none"> ■ Недостатній натяг ланцюга. ■ Тупий ланцюг. ■ Ланцюг установлений навіпаки. ■ Зношений ланцюг. ■ Сухий або надмірно натягнутий ланцюг. ■ Ланцюг не в пазу шини. 	<ul style="list-style-type: none"> ■ Перевірте натяг ланцюга згідно з розділом: «РЕГУЛЮВАННЯ НАТЯГУ ЛАНЦЮГА». ■ Заточіть ланцюг. ■ Зніміть і встановіть на місце пильний ланцюг, як описано в розділі «УСТАНОВЛЕННЯ/ЗАМІНА ШИНИ ТА ЛАНЦЮГА». ■ Замініть ланцюг, дотримуючись вказівок у розділі: «УСТАНОВЛЕННЯ/ЗАМІНА ШИНИ ТА ЛАНЦЮГА». ■ Перевірте рівень мастила. У разі необхідності наповніть бачок для мастила. ■ Перевстановіть пильний ланцюг, дотримуючись вказівок у розділі: «УСТАНОВЛЕННЯ/ЗАМІНА ШИНИ ТА ЛАНЦЮГА».
Ланцюг послаблюється або падає з прямої шини під час нормального використання.	<ul style="list-style-type: none"> ■ Ланцюг ослабне через підвищення його температури під час нормальної роботи пили. ■ Ланцюг не зачіпляє приводну зірочку. 	<ul style="list-style-type: none"> ■ Натягніть ланцюг, як описано в розділі «РЕГУЛЮВАННЯ НАТЯГУ ЛАНЦЮГА». ■ Перевстановіть пильний ланцюг, дотримуючись вказівок у розділі: «УСТАНОВЛЕННЯ/ЗАМІНА ШИНИ ТА ЛАНЦЮГА».
Шини і ланцюги гарячі, і з них іде дим.	<ul style="list-style-type: none"> ■ Перевірте, чи натяг ланцюга не занадто сильний. ■ Бачок мастила для ланцюга пустий. ■ Сміття в пазу прямої шини. 	<ul style="list-style-type: none"> ■ Відрегулюйте натяг пильного ланцюга, як описано в розділі «РЕГУЛЮВАННЯ НАТЯГУ ЛАНЦЮГА». ■ Наповніть бачок мастилом для шини та ланцюга. ■ Притисніть пильний ланцюг до дерева, переміщуйте ланцюгову пилу назад і вперед, щоб скинути сміття.

UK

ГАРАНТІЯ

ПРАВИЛА ГАРАНТІЇ EGO

Відвідайте вебсайт egopowerplus.eu для отримання повного тексту умов гарантійної політики EGO.

208

ЛАНЦЮГОВА ПИЛА З 56-ВОЛЬТНИМ ЛІТІЙ-ІОННИМ АКУМУЛЯТОРОМ — CS1200E

ПРОЧЕТЕТЕ ВСИЧКИ ИНСТРУКЦИИ!



ПРОЧЕТЕТЕ РЪКОВОДСТВОТО НА ОПЕРАТОРА

⚠ ПРЕДУПРЕЖДЕНИЕ: За да осигурите безопасността и надеждността, всички поправки трябва да се извършват от квалифициран сервизен техник.

⚠ ПРЕДУПРЕЖДЕНИЕ: Уверете се, че сте прочели и осъзнали всички инструкции за безопасност в това Ръководство на оператора, включително всички известяващи символи за безопасност, като „ОПАСНОСТ“, „ПРЕДУПРЕЖДЕНИЕ“ и „ВНИМАНИЕ“ преди да използвате този инструмент. Неспазването на всички инструкции изброени долу може да доведе до електрически удар, пожар и/или сериозно нараняване.

ЗАПАЗЕТЕ ВСИЧКИ ПРЕДУПРЕЖДЕНИЯ И ИНСТРУКЦИИ ЗА БЪДЕЩА СПРАВКА.

СИМВОЛИ ЗА БЕЗОПАСНОСТ

⚠ ПРЕДУПРЕЖДЕНИЕ: Експлоатацията на всички машини, може да доведе до изхвърляне на чужди предмети към вашите очи, което може да доведе до сериозно нараняване на очите. Преди започване на работа с електрически инструмент, винаги носете предпазни очила със странична защита и визьор за цялото лице, когато е необходимо. Ние препоръчваме предпазна маска с широк визьор за употреба над очила или стандартни предпазни очила със странична защита.



Сигнал за безопасност



За намаляване на опасността от нараняване, потребителят трябва да прочете и разбере ръководството на оператора преди използването на този продукт.



Носете защита за очите



Носете защита за слуха



Носете защита за главата



Носете защитни ръкавици



Откат на върха на водещата шина



Винаги използвайте верижния трион с две ръце



Пазете се от откат на верижния трион и избягвайте контакт с върха на шината



Информация за водещата шина



Гарантирано ниво на мощност на звука. Звуковите емисии към околната среда са в съответствие с директивите на европейската общност.



Отпадъчните електрически продукти не трябва да бъдат изхвърляни заедно с домакинския отпадък. Отнесете го до упълномощено място за рециклиране.



Този продукт е в съответствие с приложимите директиви на ЕС.



Този продукт е в съответствие с приложимото законодателство на Великобритания.



Постоянен ток

IPX4

Защита от водни пръски

мм

Милиметър

n_3

Скорост без натоварване

V

Напрежение

.../мин

В минута

BG

СПЕЦИФИКАЦИИ

Номинално напрежение	56 V	
Макс. Скорост на веригата	20 m/s	
Стъпка на веригата	1/4" (6,4 mm)	
Измервателен уред за веригата	1,1 mm	
Дължина на водещата шина	300 mm	
Модел на веригата за трион	AC1204Q (препоръчителен)	
	AC1000Q (съвместим)	
Модел на водещата шина	AG1000Q (съвместим)	
Модел на веригата на триона и шината	AK1204Q (препоръчителен)	
Обем на резервоара за верижно масло	150 ml	
Тегло (без акумулаторна батерия, верига на триона, водеща шина, страничен капак, масло и капак на веригата)	1,9 кг	
Препоръчителна работна температура	-15°C-40°C	
Препоръчителна температура на съхранение	-20°C-70°C	
Препоръчителна температура на зареждане	5°C-40°C	
Измерено ниво на сила на звука L_{WA}	97 dB(A) K=3,6 dB(A)	
Ниво на звуково налягане в работна позиция L_{PA}	89 dB(A) K=3 dB(A)	
Гарантирано ниво на сила на звука L_{WA} (съгласно 2000/14/ЕС)	101 dB(A)	
Вибрации a_h	Предна ръкохватка	2,64 m/сек ² K=1,5 m/s ²
	Задна ръкохватка	2,05 m/сек ² K=1,5 m/s ²

BG

- Декларираният общ размер на вибрации е измерен в съответствие със стандартния метод за тест и може да бъде използван за сравнение между два инструмента;
- Декларираният общ размер на вибрации може също така да бъде използван за предварителна оценка на влиянието.

БЕЛЕЖКА: Вибрационните емисии по време на действителната употреба на електрическия инструмент

може да се различава от декларираната стойност. С цел да се защити оператора, потребителят трябва да носи ръкавици и антифони в действителни условия на работа.

ОПАКОВЪЧЕН ЛИСТ (ФИГ. А1)

ОПИСАНИЕ

ЗАПОЗНАЙТЕ СЕ С ВАШИЯ ВЕРИЖЕН ТРИОН (Фиг. А1)

1. Водеща шина
2. Верига за трион
3. Спирачна накладка за откат на веригата
4. Задна ръкохватка
5. Предна ръкохватка
6. Прозорче за проверка на маслото
7. Капачка за маслен резервоар
8. Заклучващо езиче
9. Спусък превключвател
10. Бутон за освобождаване на батерията
11. Страничен капак
12. Гайка на шината
13. Винт за обтягане
14. Отвор за смазване
15. Капак на веригата
16. Закачалка за ремък
17. Комбиниран ключ

МОНТАЖ

СГЛОБЯВАНЕ/ПОДМЯНА НА ШИНАТА И ВЕРИГАТА

⚠ ПРЕДУПРЕЖДЕНИЕ: Преди да извършите каквото и да е сглобяване или поддръжка, уверете се, че акумулаторната батерия е извадена. Неспазването на това предупреждение може да доведе до сериозни наранявания.

⚠ ПРЕДУПРЕЖДЕНИЕ: Регулирайте спирачната накладка при откат на веригата в спирачна позиция преди монтаж.

⚠ ПРЕДУПРЕЖДЕНИЕ: Винаги носете ръкавици, когато боравите с шината и веригата. Тези компоненти са остри и могат да съдържат режещи елементи.

1. Поставете захранващата глава на верижния трион на едната страна, като страничния капак сочи нагоре (фиг. В).

- Отстранете страничния капак, като завъртите гайката на шината обратно на часовниковата стрелка.
- Завъртете винта за обтягане на веригата обратно на часовниковата стрелка, за да разхлабите обтягането на веригата.
- Поставете веригата за трион в затворен кръг върху равна повърхност и изправете всички прегъвания (Фиг. С).
- Поставете задвижващите звена на веригата в жлеба на водещата шина и направете ухо на веригата в задната част на водещата шина (фиг. D).
- Дръжте веригата на позиция във водещата шина и поставете ухото около верижното зъбно колело на триона (Фиг. E1).

D-1	Задвижващо звено за веригата	E-2	Подравняващи фланци
D-2	Жлеб на водещата шина	E-3	Щифт за обтягане
E-1	Задвижващо верижно зъбно колело	E-4	Закрепващ болт

БЕЛЕЖКА: Когато завъртате веригата на триона върху водещата шина, уверете се, че след като монтирате водещата шина върху триона, ориентацията на ножа съвпада с иконата на ножа за посока на въртене върху корпуса на триона (Фиг. E1). Ако те са насочени в противоположни посоки, монтирайте отново веригата на триона върху водещата шина така, че символите да са насочени в същата посока (Фиг. E2).

- Поставете водещата шина върху монтажната повърхност, като плъзнете слота на водещата шина върху подравняващите фланци. Уверете се, че водещата шина е правилно позиционирана върху закрепващия болт и щифта за обтягането.
- Поставете обратно страничния капак върху корпуса на верижния трион (Фиг. E3) и затегнете напълно гайката на шината.

БЕЛЕЖКА: По време на монтажа и поддръжката металната плоча под водещата шина (фиг. F) може да изскочи. Ако това се случи, почистете добре пролуката между тази метална част и корпуса и натиснете металната плоча назад, така че да се **изравни с корпуса**. Неспазването на почистването и правилното поставяне на металната плоча ще доведе до разцентроване на водещата шина.

- Завъртете веригата на ръка, за да проверите дали веригата е правилно монтирана без триене.

В противен случай монтирайте отново веригата и шината.

БЕЛЕЖКА: За да удължите живота на водещата шина понякога обръщайте шината.

РЕГУЛИРАНЕ НА ОБТЯГАНЕТО НА ВЕРИГАТА

- Спрете мотора и отстранете акумулаторната батерия, преди регулиране на обтягането на веригата. Завъртете винта за обтягането по посока на часовниковата стрелка или обратно на часовниковата стрелка, за да регулирате обтягането на веригата (Фиг. F), докато веригата легне плътно към водещата шина със задвижващите звена в жлеба на водещата шина.
- Студена верига е правилно обтегната, когато няма провисване от долната страна на водещата шина и веригата е плътна, но може да бъде завъртяна с ръка без блокиране. Веригата трябва да бъде обтегната отново, когато плоскостите на зъбците не стоят в жлеба на шината.
- По време на нормална работа на триона, температурата на веригата ще се повиши. Задвижващите звена на правилно обтегната топла верига ще висят приблизително 1-2 мм извън жлеба на шината (Фиг. G).

БЕЛЕЖКА: Новите вериги имат свойството да се разтягат, проверявайте често обтягането и обтегнете ако е необходимо.

БЕЛЕЖКА: Верига, която е обтегната докато е топла, може да бъде твърде стегната при охлаждане. Проверете студеното обтягане преди следваща употреба.

ЕКСПЛОАТАЦИЯ

⚠ ПРЕДУПРЕЖДЕНИЕ: Не позволявайте рутината с този продукт да ви направи непредпазливи. Запомнете, че невниманието за малка част от секундата е достатъчна за да нанесете сериозно нараняване.

⚠ ПРЕДУПРЕЖДЕНИЕ: Не използвайте други приставки или аксесоари, които не са препоръчани от производителя на този продукт. Употребата на приставки или аксесоари, които не са препоръчани, може да доведе до сериозно нараняване.

⚠ ПРЕДУПРЕЖДЕНИЕ: За да предотвратите случайно стартиране, което би могло да причини сериозно нараняване, винаги отстранявайте

аккумуляторния комплект от инструмента, когато монтирате части, извършвате настройки, почиствате или когато не се използва.

Преди всяка употреба проверявайте целия продукт за повредени, липсващи или разхлабени части, като винтове, гайки, болтове, капачки и др. Затегнете сигурно всички закопчалки и капачки и не работете с този продукт, докато всички повредени или липсващи части не бъдат подменени.

ПРИЛОЖЕНИЯ

Можете да използвате този продукт за основни приложения за рязане на дървета.

▲ ПРЕДУПРЕЖДЕНИЕ: Не работете с този верижен трион на дърво, освен ако не сте специално обучени за това. Работата с верижен трион на дърво без подходящо обучение може да увеличи риска от сериозно нараняване.

БЕЛЕЖКА: Машината трябва да се използва само за предназначените цели. Всяка друга употреба се смята за случай на злоупотреба.

НАПЪЛНЕТЕ СМАЗКА ЗА ШИНАТА И ВЕРИГАТА

▲ ПРЕДУПРЕЖДЕНИЕ: Не пушете или не носете огън или пламък в близост до маслото или до верижния трион. Маслото може да се разлее и да причини пожар.

БЕЛЕЖКА: Верижният трион не е напълнен с масло по времето на покупката. Изключително важно е да напълните резервоара с масло преди употреба. Веригата се смазва автоматично с верижно масло по време на работа, ако има достатъчно масло в масления резервоар.

1. Поставете верижния трион на едната страна с капачка на резервоара сочеща нагоре.
2. Почистете капачката на масления резервоар и зоната около него за да се уверите, че не попада мръсотия в масления резервоар.
3. Повдигнете полукръглата пластина и завъртете капачката на масления резервоар обратно на часовника за да я премахнете. (Фиг. Н).
4. Внимателно налейте верижното масло в резервоара. Напълнете до дъното на гърловината за пълнене.
5. Избършете излишното масло и поставете капачката.

БЕЛЕЖКА: Проверявайте често нивото на маслото и доливайте, когато нивото на маслото падне под линията за минимум. Не работете никога с верижния

трион, ако маслото не се вижда.

ИЗПОЛЗВАНЕ НА УХОТО ЗА РЕМЪК (Фиг. Н)

▲ ПРЕДУПРЕЖДЕНИЕ: Винаги покривайте веригата и водещата шина с калъфа за веригата, когато окачвате верижния трион на колан за инструменти. Веригата на триона е остра и може да причини сериозни наранявания.

▲ ПРЕДУПРЕЖДЕНИЕ: Уверете се, че ремъкът е достатъчно здрав, за да издържи комбинираното тегло на верижния трион и акумулаторната батерия. Могат да настъпят сериозни наранявания и материални щети, ако верижният трион падне.

МОНТИРАНЕ/ИЗВАЖДАНЕ НА АКУМУЛАТОРНАТА БАТЕРИЯ

Използвайте единствено акумулаторни батерии EGO и зарядни устройства изброени във Фиг. А2.

Заредете напълно преди първата употреба.

За да закрепите

Подравнете ребрата на акумулаторната батерия с монтажните жлебове и натиснете батерията надолу, докато чуете „щракване“ (Фиг. I).

За да извадите

Натиснете бутон за освобождаване на батерията и издърпайте акумулаторната батерия навън (Фиг. J).

▲ ПРЕДУПРЕЖДЕНИЕ: За да поддържате комфортен баланс по време на рязане, моля, използвайте само с акумулаторна батерия BA1400/BA1400T.

СТАРТИРАНЕ/СПИРАНЕ НА ВЕРИЖНИЯ ТРИОН

БЕЛЕЖКА: Преди стартиране на верижния трион проверете нивото на маслото, обтягането на веригата, зъбите на триона за острота и правилната работа на спирачната накладка за откат. Освен това са необходими балансирана позиция на краката и правилно разстояние далеч от земята.

За стартиране (Фиг. К)

1. Издърпайте спирачната накладка за откат на веригата в посока на предната ръкохватка към работната позиция (Фиг. К).
2. Хванете здраво предната ръкохватка с лявата ръка, а задната ръкохватка с дясната ръка.

▲ ПРЕДУПРЕЖДЕНИЕ: За да избегнете нараняване, винаги използвайте верижния трион с дясната ръка, хващайки областта на захващане на задната ръкохватка (Фиг. L).

3. Преместете заключващото езиче напред и след това натиснете спусъка, за да стартирате триона (Фиг. L).

L-1	Зона за захващане
-----	-------------------

4. Освободете заключващото езиче и продължете да стискате спусъка превключвател за продължителна работа.
5. Колкото по-натиснат е спусъкът превключвател, толкова по-голяма е скоростта на веригата. Регулирайте скоростта за да е подходяща за настоящата задача.

⚠ ПРЕДУПРЕЖДЕНИЕ: Не се опитвайте да стартирате триона, когато веригата на триона е в разрез.

За да спрете

1. Отдалечете верижния трион от зоната на рязане и след това освободете спусъка превключвател, за да спрете верижния трион.
2. Натиснете спирачната накладка за откат на веригата напред към позицията за спиране, за да активирате спирачката на веригата (Фиг. K).

⚠ ПРЕДУПРЕЖДЕНИЕ: Винаги изваждайте акумулаторната батерия от машината по време на работни прекъсвания и след завършване на работата.

ПРАВИЛЕН ЗАХВАТ НА РЪКОХВАТКИТЕ (ФИГ. M)

- Носете неплъзгащи се ръкавици за максимален захват и защита.
- При оставен трион на твърда, равна повърхност хванете триона здраво с двете ръце.
- Винаги хващайте предната ръкохватка с лявата ръка, а задната ръкохватка с дясната ръка.
- Пръстите трябва да обхванат ръкохватката, като палецът е обвит под предната ръкохватка.

⚠ ПРЕДУПРЕЖДЕНИЕ: Никога не използвайте захват за лява ръка (кръстосани ръце) или каквато и да е поза, която ще постави вашето тяло или ръка над линията на веригата.

⚠ ПРЕДУПРЕЖДЕНИЕ: Не работете със спусък превключвателя с лявата си ръка и дръжте предната ръкохватка с дясната си ръка. Не позволявайте никога част от тялото ви да е в линията на веригата, когато работите с верижния трион (Фиг. N).

ПРАВИЛНА ПОЗА ЗА РЯЗАНЕ (ФИГ. O)

- Двата крака трябва да са на твърда земя, като телгто е равномерно разпределено между тях.

- Лявата ръка трябва да бъде права, като лакътят е заключен. Това позволява да се устои на силите, генерирани при откат.
- Вашето тяло винаги трябва да бъде от ляво на линията на веригата.

ОБЩИ ТЕХНИКИ НА РЯЗАНЕ

⚠ ПРЕДУПРЕЖДЕНИЕ: Винаги бъдете сигурни за позицията на краката и дръжте верижния трион здраво с двете ръце, докато моторът все още се движи.

⚠ ПРЕДУПРЕЖДЕНИЕ: Когато верижният трион е спрял поради заклещване, по време на рязане, освободете спусъка, извадете веригата на триона и водещата шина от дървото и след това стартирайте отново верижния трион.

⚠ ПРЕДУПРЕЖДЕНИЕ: Не дърпайте веригата на триона с ръка, когато е залепнала от дървени стърготини. Може да доведе до сериозно нараняване ако верижният трион стартира инцидентно. Натиснете веригата на триона срещу дървото, преместете верижния трион напред и назад за да освободите отломките. Винаги изваждайте акумулаторната батерия преди почистване. Носете ръкавици за тежка употреба, когато боравите с веригата на триона.

⚠ ПРЕДУПРЕЖДЕНИЕ: Никога не стартирайте верижния трион, когато е в контакт с дървото. Винаги позволявайте верижният трион да достигне пълна скорост, преди да поставите триона върху дървото.

⚠ ПРЕДУПРЕЖДЕНИЕ: Този верижен трион с горна ръкохватка не е предназначен за използване на земята, поради което това ръководство не съдържа инструкции за изсичане на дървета, клони и кастрене на дървета.

⚠ ПРЕДУПРЕЖДЕНИЕ: Тези инструкции в дървото се отнасят за този верижен трион с горнаръкохватка, проектиран изключително за приложения за рязане на дървета от сертифицирани професионалисти по рязане на дървета, специално обучени за това.

⚠ ПРЕДУПРЕЖДЕНИЕ: Високото отсичане може да доведе до нараняване. Трябва да се изпълнява само от обучено лице.

⚠ ПРЕДУПРЕЖДЕНИЕ: Препоръки, които начинаещите потребители трябва да практикуват при рязане на трупи върху магаре или люлка.

⚠ ПРЕДУПРЕЖДЕНИЕ: Не работете на дървета със силен вятър.

⚠ ПРЕДУПРЕЖДЕНИЕ: Уверете се, че всички странични наблюдатели са далеч от зоната на падане,

преди да започнете работа.

⚠ ПРЕДУПРЕЖДЕНИЕ: Винаги пазете себе си и оборудването си далеч от материала, който се отстранява.

⚠ ВНИМАНИЕ: Уверете се, че батерията е напълно заредена, преди да работите на дърво.

Подрязване (фиг. P)

Следвайте долните стъпки за да предотвратите щети по кората дървото или храста. Не използвайте движение за рязане напред и назад.

1. Направете плитък първи разрез (1/3 от диаметъра на клона) от долната страна на клона, в близост до главния клон или дънера.
2. Направете втори разрез от горната страна на клона, външен от първия разрез. Продължете разреза през клона, докато клонът се отдели от дървото. Бъдете готови да балансирате телото на инструмента и се уверете, че сте далеч от него, преди да завършите рязането.
3. Направете окончателен разрез в близост до дънера.

Високо отсичане

Преди да работите с високо отсичане, отстранете разклабената кора, пирони, скоби и тел от дървото, където трябва да се направят разрези за високо отсичане.

Издълбаване на подрязване

Направете прорез на 1/4 от диаметъра на дървото, перпендикулярен на посоката на падане, както е показано на фиг. Q. Първи направете долен хоризонтален издълбаващ разрез. Това ще помогне да се избегне защитване на веригата на триона или на водещата шина, когато се направи вторият прорез.

Q-1	Посока на падане	Q-3	Заден разрез
Q-2	Жлеб	Q-4	Шарнир

Заден разрез

- Направете задния разрез със същата височина като хоризонталния прорязващ разрез, както е показано на фиг. Q. Поддържайте задния разрез успореден на хоризонталния издълбаващ разрез. Направете задния разрез, така че да остане достатъчно дърво, което да действа като шарнир. Шарнирната дървесина предпазва дървото от усукване и падане в грешна посока. Не режете през шарнира.
- Когато задният разрез доближи до шарнира,

дървото трябва да започне да пада. Ако има шанс дървото да не падне в желаната посока или ако може да се залюлее назад и да защити веригата на триона, спрете рязането преди завършването на задния разрез и използвайте клинове от дърво, пластмасата или алуминий, за да отворите разреза и да повалите дървото по желаната траектория на падане.

- Когато блокът на дървото започне да пада, извадете верижния трион от среза, спрете двигателя и активирайте спирачката на веригата. Внимавайте за падащи клони отгоре и гледайте къде ходите.

ПОДДРЪЖКА

⚠ ПРЕДУПРЕЖДЕНИЕ: Когато обслужвате, използвайте само идентични резервни части. Употребата на каквито и да е други части може да създаде опасност или да предизвика повреда на продукта. За да осигурите безопасността и надеждността, всички поправки трябва да се извършват от квалифициран сервизен техник.

⚠ ПРЕДУПРЕЖДЕНИЕ: За да избегнете сериозно нараняване, винаги изваждайте акумулаторната батерия от продукта преди проверка, почистване или извършване на поддръжка. Инструментът захранван с батерия е винаги включен, когато батерията е поставена и може да стартира инцидентно.

⚠ ПРЕДУПРЕЖДЕНИЕ: Когато почиствате верижния трион НЕ го потапяйте във вода или други течности.

⚠ ПРЕДУПРЕЖДЕНИЕ: Никога не позволявайте спирачна течност, бензин, петролни продукти, проникващи масла и т.н. да влизат в контакт с пластмасовите части. Химикалите могат да повредят, отслабят или разрушат пластмасата, което може да доведе сериозно нараняване.

ПОЧИСТВАНЕ

- След всяка употреба почистете натрупванията от веригата и водещата шина с мека четка. Избършете повърхността на верижния трион с мека кърпа навлажнена с мек сапунен разтвор.
- Извадете капака на зъбното колело за веригата и след това използвайте мека четка за да отстраните натрупванията от водещата шина, веригата на триона, зъбното колело и страничния капак.
- Винаги почиствайте дървените стърготини, праха от рязане и мръсотията от жлеба на водещата шина, когато подмените веригата на триона.

ПОДДРЪЖКА НА ВОДЕЩАТА ШИНА

Когато водещата шина покаже признаци на износване, демонтирайте я от захранващата глава на верижния трион и я обърнете за повтарен монтаж (Фиг. R1). По този начин износването ще бъде разпределено до удължаване до максимум на живота на водещата шина.

Шината трябва да бъде почиствана при всеки ден в употреба и да бъде проверявана за износване и повреди. Изтъняване или изстъргване на релсите на шината е нормален процес на износване на шината. Такива дефекти, трябва да бъдат загладени с пила веднага след като се случат. Шина с някоя от следните дефекти трябва да бъде подменена.

- Износване от вътрешната страна на релсите на шината, което позволява на веригата да лежи на страни.
- Изкривена водеща шина.
- Напукани или счупени релси.
- Раздалечени релси.

В допълнение, водещата шина има верижно зъбно колело на върха си (Фиг. R2). Зъбното колело трябва да бъде ежедневно смазвано с гресьорка за да се удължи живота на водещата шина. Използвайте гресьорка за смазване всяка седмица с верижно масло като използвате отвора за смазване (Фиг. R3). Завъртете водещата шина и проверете дали отворите за смазване и жлебът на веригата са чисти от мръсотия.

R-1	Смазване на зъбното колело във водещата шина
R-2	Отвор за смазване

ТРАНСПОРТИРАНЕ И СЪХРАНЕНИЕ

- Не оставяйте или транспортирайте верижния трион, когато работи. Винаги изваждайте акумулаторната батерия преди съхранение или транспортиране.
- Винаги поставяйте калъфа за веригата на водещата шина и веригата преди да съхранявате или транспортирате верижния трион. Бъдете внимателни за да избегнете острите зъби на веригата.
- Винаги носете продукта за предната му ръкохватка.
- Предпазвайте продукта от тежки удари или силни вибрации, които могат да възникнат по време на транспортиране в превозни средства.
- Почистете изцяло верижния трион и изпразнете масления резервоар преди съхраняване. Съхранете верижния трион на закрито, на сухо място, което е заключено и/или недостъпно за деца.
- Пазете го от корозивни препарати като градински химикали и сол за обезледяване.

ОПАЗВАНЕ НА ОКОЛНАТА СРЕДА



Не изхвърляйте електрическо оборудване, използвана батерия или зарядно устройство в домакинския отпадък!

Отнесете продукта до упълномощена фирма за рециклиране и го предоставете за разделно събиране. Електрическите инструменти трябва да бъдат връщани в съоръжения за рециклиране съвместими с околната среда.

ОТСТРАНЯВАНЕ НА ПРОБЛЕМИ

▲ ПРЕДУПРЕЖДЕНИЕ: Винаги защитавайте ръцете си, като носите ръкавици за тежка употреба, когато извършвате поддръжка на верижния трион. Винаги изваждайте батерията, когато обслужвате или транспортирате верижния трион..

ПРОБЛЕМ	ПРИЧИНА	РЕШЕНИЕ
Моторът не работи.	<ul style="list-style-type: none"> ■ Акумулаторната батерия не е прикрепена към верижния трион. ■ Няма електрически контакт между триона и акумулаторната батерия. ■ Акумулаторната батерия е изтощена. ■ Акумулаторната батерия или верижният трион са твърде горещи. ■ Заклучващото езиче не е натиснато преди натискане на спусъка превключвател. ■ Спирачката за веригата е активирана. ■ Веригата на триона е заседнала в дървото. ■ Отломки в жлеба на шината. ■ Отломки в страничния капак. ■ Използвана е акумулаторна батерия с капацитет 4,0 Ah или повече. 	<ul style="list-style-type: none"> ■ Закрепете акумулаторната батерия към верижния трион. ■ Извадете акумулаторната батерия, проверете контактите и поставете наново акумулаторната батерия. ■ Заредете акумулаторната батерия. ■ Оставете акумулаторната батерия или верижния триона да се охладят, докато температурата спадне до препоръчителния температурен диапазон. ■ Натиснете и задръжте заклучващото езиче и след това натиснете спусъка за да включите верижния трион. ■ Издърпайте спирачната накладка за откат на веригата назад към предната ръкохватка до работната позиция. ■ Освободете спусъка, извадете веригата на триона и направляващата шина от дървото и рестартирайте верижния трион. ■ Натиснете веригата на триона срещу дървото, преместете верижния трион напред и назад за да освободите отломките. ■ Извадете батерията, след това извадете страничния капак и почистете отломките. ■ Използвайте само с EGO 2,5 Ah акумулаторни батерии BA1400 и BA1400T.
Верижният трион спира неочаквано по време на работа.	<ul style="list-style-type: none"> ■ Верижният трион е претоварен. ■ Акумулаторната батерия или верижният трион са твърде горещи. ■ Веригата на триона е заседнала в дървото. 	<ul style="list-style-type: none"> ■ Намалете натоварването. ■ Оставете акумулаторната батерия или верижния триона да се охладят, докато температурата спадне до препоръчителния температурен диапазон. ■ Освободете спусъка, извадете веригата на триона и направляващата шина от дървото и рестартирайте верижния трион.

ПРОБЛЕМ	ПРИЧИНА	РЕШЕНИЕ
Моторът работи, но веригата не се върти.	<ul style="list-style-type: none"> Веригата не е зацепена във задвижващото зъбно колело. 	<ul style="list-style-type: none"> Издадете батерията и монтирайте повторно веригата, като се уверите, че зъбците на веригата са напълно поставени в зъбното колело.
Спирачката за веригата не се активира.	<ul style="list-style-type: none"> Отпадъците пречат на пълното движение на спирачната накладка за веригата. Възможна неизправност на спирачката на веригата. 	<ul style="list-style-type: none"> Почистете отпадъците от външния механизъм на спирачката на веригата. Спрете да използвате верижния трион незабавно! Свържете се с обслужване на клиенти на EGO за ремонт.
Верижният трион не реже правилно.	<ul style="list-style-type: none"> Недостатъчно обтягане на веригата. Изтъпена верига. Веригата е монтирана назад. Износена верига. Суха или прекалено разтеглена верига. Веригата не е в жлеба на шината. 	<ul style="list-style-type: none"> Настройте обтягането на веригата, като следвате раздел: „РЕГУЛИРАНЕ НА ОБТЯГАНЕТО НА ВЕРИГАТА“. Заточете веригата. Инсталирайте отново верижния трион като следвате раздела „МОНТАЖ/ЗАМЯНА НА ШИНАТА И ВЕРИГАТА“. Подменете веригата на триона, като следвате раздел: „МОНТАЖ/ЗАМЯНА НА ШИНАТА И ВЕРИГАТА“. Проверете нивото на маслото. Напълнете контейнера за масло ако е необходимо. Монтирайте отново веригата на триона, като следвате раздел: „МОНТАЖ/ЗАМЯНА НА ШИНАТА И ВЕРИГАТА“.
Веригата се разхлабва или пада от водещата шина по време на нормална употреба.	<ul style="list-style-type: none"> Веригата се разхлабва, тъй като по време на нормална работа на триона, температурата на веригата се повишава. Веригата не е зацепена във задвижващото зъбно колело. 	<ul style="list-style-type: none"> Увеличете обтягането на веригата, следвайки раздел „РЕГУЛИРАНЕ НА ОБТЯГАНЕТО НА ВЕРИГАТА“. Монтирайте отново веригата на триона, като следвате раздел: „МОНТАЖ/ЗАМЯНА НА ШИНАТА И ВЕРИГАТА“.
Щангата и веригата се нагорещават и пушат.	<ul style="list-style-type: none"> Проверете обтягането на веригата за състояние на прекомерно обтягане. Резервоарът за верижно масло е празен. Отломки в жлеба на водещата шина. 	<ul style="list-style-type: none"> Обтегнете отново веригата на триона, следвайки раздел „РЕГУЛИРАНЕ НА ОБТЯГАНЕТО НА ВЕРИГАТА“. Напълнете резервоара със смазка за шината и веригата. Натиснете веригата на триона срещу дървото, преместете верижния трион напред и назад за да освободите отломките.

ГАРАНЦИЯ

ГАРАНЦИОННА ПОЛИТИКА EGO

Моля, посетете уебсайта egopowerplus.eu за пълните срокове и условия по гаранционната политика на EGO.

PROČITAJTE UPUTE U CIJELOSTI!



PROČITAJTE KORISNIČKI PRIRUČNIK

⚠ UPOZORENJE: Radi sigurnosti i pouzdanosti, sve popravke treba obavljati kvalificirani servisni tehničar.

⚠ UPOZORENJE: Prije korištenja ovog alata, s razumijevanjem pročitajte sve sigurnosne upute u ovom priručniku za rukovatelja, uključujući sve sigurnosne simbole kao što su „OPASNOST“, „UPOZORENJE“ i „OPREZ“. Zanemarivanje uputa navedenih u nastavku može rezultirati strujnim udarom, požarom i/ili teškim tjelesnim ozljedama.

SAČUVAJTE SVA UPOZORENJA I SVE UPUTE ZA BUDUĆE POTREBE.

SIGURNOSNI SIMBOLI

⚠ UPOZORENJE: Rukovanje strojevima može rezultirati odbacivanjem stranih predmeta u oči, što može izazvati teške ozljede očju. Pri radu s električnim alatom nosite zatvorene zaštitne naočale ili zaštitne naočale s bočnim štitnicima, a prema potrebi i štitnik za cijelo lice. Preporučujemo nošenje sigurnosne maske proizvođača Wide Vision preko naočala ili nošenje standardnih zaštitnih naočala s bočnim štitnicima.



Upozorenje u vezi sigurnosti



Radi smanjenja opasnosti od ozljeda, prije uporabe ovog proizvoda korisnik treba s razumijevanjem pročitati ovaj korisnički priručnik.



Nosite zaštitu za oči



Nosite zaštitu za sluh



Nosite zaštitu za glavu



Nosite zaštitne rukavice



Povratni udarac na vrhu vodilice



Lančanu pilu upotrebljavajte s dvije ruke



Vodite računa o povratnom udarcu lančane pile i izbjegavajte kontakt s vrhom vodilice



Podaci o vodilici



Zajamčena razina snage zvuka. Emisija buke u okruženju u skladu je sa smjernicama Europske unije.



Otpadni električni proizvodi ne smiju se odlagati s otpadom iz kućanstva. Odnosite ih u ovlašten centar za recikliranje.



Ovaj proizvod je u skladu s važećim direktivama EU.



Ovaj je proizvod u skladu s važećim zakonodavstvom UK.



Istosmjerna struja

IPX4

Zaštita od prskajuće vode

HR

mm Milimetar

n_b Brzina bez opterećenja

V Napon

./min U minuti

TEHNIČKI PODACI

Nazivni napon	56 V	
Maksimalna Brzina lanca	20 m/s	
Debljina lanca	1/4" (6,4 mm)	
Debljina karike lanca	1,1 mm	
Duljina vodilice	300 mm	
Model lanca pile	AC1204Q (preporučeno)	
	AC1000Q (kompatibilno)	
Model vodilice	AG1000Q (kompatibilno)	
Model kompleta lanca i vodilice	AK1204Q (preporučeno)	
Zapremina spremnika ulja za lanac	150 ml	
Težina (bez baterijskog modula, lanca pile, vodilice, bočnog poklopca, ulja i zaštitne navlake za lanac)	1,9 kg	
Preporučena radna temperatura	-15 °C - 40 °C	
Preporučena temperatura skladištenja	-20 °C - 70 °C	
Preporučena temperatura punjenja	5 °C - 40 °C	
Izmjerena razina zvučne snage L_{WA}	97 dB(A) K = 3,6 dB(A)	
Razina zvučnog tlaka na mjestu rada L_{PA}	89 dB(A) K = 3 dB(A)	
Zajamčena razina zvučne snage L_{WA} (izmjereno u skladu s 2000/14/EZ)	101 dB(A)	
Vibracija a_n	Prednji rukohvat	2,64 m/s ² K=1,5 m/s ²
	Stražnji rukohvat	2,05 m/s ² K=1,5 m/s ²

- Deklarirane ukupne vrijednosti vibracija izmjerene su u skladu sa standardnom metodom ispitivanja i mogu se koristiti za usporedbu jednog alata s drugim;
- Deklarirane ukupne vrijednosti vibracija mogu se koristiti i u preliminarnoj procjeni izloženosti.

OBAVIJEST: Emisija vibracija tijekom aktualnog korištenja električnog alata može se razlikovati od deklarirane vrijednosti u kojoj se alat koristio; Radi zaštite rukovatelja korisnik treba nositi rukavice i štitičke za uši u aktualnim uvjetima korištenja.

OTPREMNICA (SLIKA A1)

OPIS

UPOZNAJTE SE S LANČANOM PILOM (slika A1)

1. Vodilica
2. Lanac pile
3. Ručica kočnice povratnog udarca lanca
4. Stražnja drška
5. Prednja drška
6. Prozor za inspekciju ulja
7. Čep spremnika s uljem
8. Jezičak za fiksiranje
9. Okidačka sklopka
10. Gumb za oslobađanje baterije
11. Bočni poklopac
12. Matica vodilice
13. Vijak za zatezanje
14. Otvor za podmazivanje
15. Zaštitna navlaka za lanac
16. Vješalica za uzicu
17. Kombinirani ključ

SASTAVLJANJE

POSTAVLJANJE/ZAMJENA VODILICE I LANCA

⚠ UPOZORENJE: Prije izvođenja sastavljanja ili održavanja, pazite da uklonite bateriju. Nepoštivanje ovog upozorenja može dovesti do teških tjelesnih ozljeda.

⚠ UPOZORENJE: Prije sastavljanja podesite ručicu kočnice povratnog udarca lanca u kočioni položaj.

⚠ UPOZORENJE: Pri rukovanju lancem i vodilicom nosite rukavice jer ti su dijelovi oštri i na njima može biti oštrih rubova.

1. Pogonsku glavu lančane pile stavite na njezinu bočnu stranu tako da je bočni poklopac okrenut prema gore (slika B).
2. Uklonite bočni poklopac okretanjem matice vodilice ulijevo.
3. Okrenite vijak za zatezanje ulijevo za otpuštanje lanca.
4. Lanac pile položite kružno na ravnu površinu i ispravite eventualne pregibe (slika C).
5. Stavite pogonske karike lanca u žlijeb vodilice i napravite omču na stražnjem dijelu vodilice (slika D).

6. Držite lanac u položaju na vodilici i stavite petlju oko lančanika pile (slika E1).

D-1	Pogonska karika lanca	E-2	Prirubnice za poravnanje
D-2	Žlijeb vodilice	E-3	Zatik za zatezanje
E-1	Pogonski lančanik	E-4	Vijak za pričvršćivanje

OBAVIJEST: Prilikom pričvršćivanja lanca pile na vodilicu, pazite da nakon postavljanja vodilice na pilu, usmjerenost rezača odgovara ikoni rezača i strelici smjera rotacije na kućištu pile (slika E1). Ako su okrenute u suprotnim smjerovima, ponovno sastavite lanac pile na vodilicu tako da rezači budu okrenuti u istom smjeru (slika E2).

7. Postavite vodilicu na montažnu površinu klizanjem utora vodilice preko prirubnica za poravnanje. Provjerite je li vodilica pravilno postavljena preko pričvrstnog vijka i zatika za zatezanje.
8. Vratite bočni poklopac na kućište lančane pile (slika E3) i potpuno zategnite dvije sigurnosne matice.

OBAVIJEST: Tijekom sastavljanja i održavanja, metalna ploča ispod vodilice (slika F) može iskočiti. Ako se to dogodi, dobro očistite razmak između ovog metalnog dijela i kućišta i gurnite metalnu ploču natrag tako da bude u **ravnini s kućištem**. Neuspješno čišćenje i pravilno postavljanje metalne ploče uzrokovat će neusklađenost vodilice.

9. Okrećite lanac rukom kako biste provjerili je li lanac propisno montiran bez zapinjanja. U suprotnom ponovno postavite lanac i vodilicu.

OBAVIJEST: vodilicu povremeno okrenite radi produženja njezinog životnog vijeka.

PODEŠAVANJE ZATEGNUTOSTI LANCA

- Prije podešavanja zategnutosti lanca, zaustavite rad motora i izvadite baterijski modul. Okrenite vijak za zatezanje ulijevo ili udesno za prilagodavanje zategnutosti lanca (slika F), tako da lanac točno nalegne na vodilicu, a pogonske karike u žlijeb vodilice.
- Hladan lanac ispravno je zategnut kada nema progiba na donjoj strani vodilice i kada lanac nalježe uz mogućnost ručnog okretanja bez zastoja. Lanac je potrebno ponovno zategnuti kada zaravnjene površine na pogonskim karikama ne uliježu u žlijeb vodilice.
- Temperatura lanca će se povećati za vrijeme normalnog rada pile. Pogonske karike ispravno zategnutog toplog lanca visjet će oko 1 do 2 mm iz žlijeba vodilice (slika G).

OBAVIJEST: novi lanci imaju tendenciju rastezanja. Često provjeravajte zategnutost lanca i prema potrebi ga zategnite.

OBAVIJEST: lanac zategnut u toplom stanju može biti previše zategnut nakon hlađenja. Prije sljedeće uporabe povjerite zategnutost hladnog lanca.

RAD

⚠ UPOZORENJE: Nemojte biti nepažljivi zato što ste upoznati s načinom rada proizvoda. Zapamtite da je samo jedan djelić sekunde nepažnje dovoljan za nastanak tjelesne ozljede.

⚠ UPOZORENJE: Nemojte upotrebljavati priključke ili pribor koje nije preporučio proizvođač ovog proizvoda. Upotreba nastavaka ili pribora koji nije preporučeni, može dovesti do ozbiljnih tjelesnih ozljeda.

⚠ UPOZORENJE: Kako biste spriječili slučajno pokretanje koje bi moglo prouzročiti teške tjelesne ozljede, prije montiranja dijelova, podešavanja, čišćenja ili nekorištenja, uklonite baterijski modul iz alata.

Prije svake upotrebe, pregledajte da na stroju nema oštećenih, nedostajućih ili olabavljenih dijelova kao što su vijci, matice i poklopci. Čvrsto pritegnite sve elemente za pričvršćenje i kapice i ne upotrebljavajte proizvod dok se svi dijelovi koji nedostaju ili oštećeni dijelovi, ne zamijene.

PRIMJENE

Ovaj proizvod možete koristiti za osnovne primjene rezanja na stablu.

⚠ UPOZORENJE: Nemojte rukovati ovom lančanom pilom na drvetu osim ako za to niste posebno osposobljeni. Rukovanje lančanom pilom na drvetu bez odgovarajućih kvalifikacija povećava rizik od teških tjelesnih ozljeda.

OBAVIJEST: Stroj se smije upotrebljavati samo za prethodno opisanu namjenu. Svaka druga uporaba smatrat će se nepropisnom uporabom.

PUNJENJE VODILICE I LANCA MAZIVOM

⚠ UPOZORENJE: Nemojte pušiti ili koristiti vatru ili plamen u blizini ulja ili lančane pile. Ulje može iscurjeti i izazvati požar.

OBAVIJEST: Lančana pila nije napunjena uljem u vrijeme kupnje. Spremnik je prije uporabe potrebno napuniti uljem. Lanac se automatski podmazuje uljem za lanac tijekom rada ako u spremniku ima dovoljno ulja.

1. Postavite lančanu pilu na bočnu stranu s čepom spremnika okrenutim prema gore.

- Očistite čep spremnika ulja i okolno područje kako u spremnik ulja ne bi dospjela nečistoća.
- Podignite polukružnu ploču i okrenite čep spremnika ulja ulijevo kako biste ga uklonili (slika H).
- Pažljivo izlijte ulje za vodilicu i lanac u spremnik. Napunite do donjeg ruba vrata uljevnika.
- Obrišite višak ulja i vratite čep.

OBAVIJEST: Često provjeravajte spremnik s uljem i napunite ga kada razina ulja padne ispod oznake za minimum. Nemojte upotrebljavati lančanu pilu ako se razina ulja ne vidi.

KORIŠTENJE UŠICE ZA UZICU (slika H)

⚠ UPOZORENJE: Uvijek pokrijte lanac pile i vodilicu omotačem lanca kada lančanu pilu vješate na remen za alat. Lanac pile je oštar i može izazvati teške ozljede.

⚠ UPOZORENJE: Provjerite je li uzica dovoljno čvrsta da izdrži ukupnu težinu lančane pile i baterijskog modula. Ako lančana pila padne, mogu nastati teške ozljede i materijalna šteta.

POSTAVLJANJE I UKLANJANJE BATERIJSKOG MODULA

Upotrebljavajte samo s baterijskim modulima i punjačima tvrtke EGO navedenima na slici A2.

Baterijski modul potpuno napunite prije prve upotrebe.

Postavljanje

Poravnajte izbočenja baterije s montažnim utorima i utiskujte baterijski modul prema dolje dok ne začujete klik (slika I).

Uklanjanje

Pritisnite gumb za oslobađanje baterije i izvucite baterijski modul (slika J).

⚠ UPOZORENJE: Kako biste zadržali udobnu ravnotežu tijekom rezanja, koristite samo s baterijskim modulom BA1400/BA1400T.

POKRETANJE/ZAUSTAVLJANJE LANČANE PILE

OBAVIJEST: Prije pokretanja lančane pile provjerite razinu ulja, naoštrenost zuba pile i ispravnost rada ručice kočnice povratnog udarca. Pored toga, održavajte stabilan položaj tijela i propisanu udaljenost od tla.

Pokretanje (slika K)

- Povucite ručicu kočnice povratnog udarca lanca prema prednjoj dršci u radni položaj (slika K).
- Čvrsto primite prednju dršku lijevom, a stražnju dršku

desnom rukom.

⚠ UPOZORENJE: Kako biste izbjegli ozljede, koristite lančanu pilu tako da uvijek desnom rukom držite područje za držanje stražnje drške (slika L).

- Pomaknite jezičak za zaključavanje prema naprijed pa pritisnite okidačku sklopku da biste pokrenuli pilu (slika L).

L-1	Područje za držanje
-----	---------------------

- Otpustite jezičak za zaključavanje i nastavite stiskati okidačku sklopku za kontinuirani rad.
 - Što je sklopka okidača više pritisnuta, to je brzina lanca veća. Prilagodite brzinu zadatku.
- ⚠ UPOZORENJE:** Nemojte pokretati pilu kada se lanac pile nalazi u rezu.

Zaustavljanje

- Premjestite lančanu pilu dalje od područja rezanja i zatim otpustite sklopku okidača da biste zaustavili lančanu pilu.
- Gurnite ručicu kočnice povratnog udarca lanca prema naprijed u zaključeni položaj kako bi se aktivirala kočnica lanca (slika K).

⚠ UPOZORENJE: Za vrijeme prekida rada i nakon završetka rada izvadite baterijski modul iz stroja.

PROPISNO DRŽANJE RUKOHVATA (SLIKA M)

- Za maksimalni zahvat i zaštitu nosite neklizajuće rukavice.
- Pilu na čvrstoj, ravnoj površini držite čvrsto objema rukama.
- Prednji rukohvat prihvatite lijevom, a stražnji rukohvat desnom rukom.
- Prsti moraju okružiti dršku i palac mora biti podvinut ispod prednje drške.

⚠ UPOZORENJE: Ne koristite ljevoručni rukohvat (s križanjem ruku) ili bilo koji položaj u kojemu će tijelo ili ruka prijeći preko crte lanca.

⚠ UPOZORENJE: Nemojte pritisnuti okidačku sklopku lijevom rukom i prednju dršku držite desnom rukom. Pazite da za vrijeme rada s pilom nijedan dio tijela ne dođe u pravac kretanja lanca (slika N).

PROPISAN POLOŽAJ PRI REZANJU (SLIKA O)

- Oba stopala trebaju biti na čvrstom tlu uz tjelesnu masu ravnomjerno raspoređenu između njih.
- Lijeva ruka treba biti ispružena uz fiksirani lakat. Taj

položaj će pomoći da se oduprete silama koje stvara povratni udar.

- Vaše tijelo uvijek mora biti s lijeve strane linije lanca.

UOBIČAJENE TEHNIKE REZANJA

⚠ UPOZORENJE: Dok je motor u radu, zauzmite stabilan položaj tijela i lančanu pilu držite čvrsto s obje ruke.

⚠ UPOZORENJE: Kada se lanac pile zaustavi zbog zaglavlivanja tijekom postupka rezanja, otpustite okidačku sklopku, izvadite lanac pile i vodilicu iz drveta, a zatim ponovno pokrenite lančanu pilu.

⚠ UPOZORENJE: Ne povlačite lančanu pilu rukom kada je zaglavljena zbog piljevine. Ako se lančana pila pokrene iznenadno, moguće su ozbiljne ozljede. Pritisnite lanac pile o drvo, pomičite lančanu pilu natrag i naprijed kako biste uklonili naslage. Izvadite baterijski modul prije čišćenja. Nosite debele zaštitne rukavice kada rukujete s lančanom pilom.

⚠ UPOZORENJE: Nemojte nikad pokretati lančanu pilu kada je u kontaktu s drvom. Prije rezanja drva uvijek pričekajte da lančana pila dostigne punu brzinu.

⚠ UPOZORENJE: Ova lančana pila s gornjom ručkom nije namijenjena korištenju na tlu, stoga ovaj priručnik ne sadrži upute za rušenje drveća, podrezivanje grana i krčenje stabala.

⚠ UPOZORENJE: Ove upute za rezanje na stablu odnose se na ovu lančanu pilu s gornjom - ručkom dizajniranu isključivo za rezanje na - stablu koje provode certificirani stručnjaci za održavanje stabala.

⚠ UPOZORENJE: Postupno rušenje može dovesti do ozljede. To treba izvoditi samo obučena osoba.

⚠ UPOZORENJE: Korisnici prije prve upotrebe trebaju vježbati rezanje debla na konju za pile ili kolijevci za debla.

⚠ UPOZORENJE: Ne radite na stablima pod jakim vjetrom.

⚠ UPOZORENJE: Uvjerite se da su svi promatrači udaljeni od područja pada prije početka rada.

⚠ UPOZORENJE: Držite sebe i opremu podalje od materijala koji se uklanja.

⚠ OPREZ: Provjerite je li baterija potpuno napunjena prije rada na stablu.

Obrezivanje (slika P)

Radi izbjegavanja oštećenja stabla ili kore slijedite korake u nastavku. Ne pomičite pilu u smjeru naprijed i natrag.

1. Napravite prvi plitki rez (1/3 promjera grane) na donjoj strani grane blizu glavne grane ili debla.
2. Napravite drugi rez na gornjoj strani grane izvan prvog reza. Nastavite rezati kroz granu dok se grana ne odvoji od stabla. Budite spremni uravnotežiti težinu alata i udaljite se od njega prije dovršetka rezanja.
3. Napravite završni rez u blizini debla.

Postupno rušenje

Prije postupnog rušenja, uklonite otpalu koru, čavle, spaljice i žicu sa stabla na mjestu gdje ćete napraviti rezove za postupno rušenje.

Podrezivanje usjeka

Urežite 1/4 promjera stabla, pod pravim kutom na smjer pada kao što je prikazano na slici Q. Najprije obavite niže vodoravno zarezivanje. Tako ćete lakše izbjeći priklještenje lančane pile ili vodilice pri izvođenju drugog usjeka.

Q-1	Smjer pada	Q-3	Rez obaranja
Q-2	Usjek	Q-4	Zglob

Rez obaranja

- Rez obaranja mora biti na istoj visini kao vodoravni zarez kako je prikazano na slici Q. Rez obaranja mora biti usporedan u odnosu na vodoravni zarez. Rez obaranja napravite tako da ostane dovoljno drveta da djeluje kao zglob. Zglob onemogućuje zakretanje stabla i pad stabla u pogrešnom smjeru. Nemojte prerezati zglob.
- Kako se rezanje približava zglobu, stablo će početi padati. Ako postoji mogućnost da drvo ne padne u željenom smjeru ili da se zanjiše unatrag i blokira lanac pile, obustavite radove rezanja prije završetka reza obaranja i upotrijebite klinove od drveta, plastike ili aluminijska da otvorite rez i ispustite stablo duž željene linije pada.
- Kada stablo počne padati, uklonite lančanu pilu iz reza, zaustavite motor i aktivirajte kočnicu lanca. Pazite na grane iznad glave koje padaju i vodite računa o uporištu.

ODRŽAVANJE

⚠ UPOZORENJE: Pri servisiranju koristite samo identične zamjenske dijelove. Korištenje drugih dijelova može izazvati opasnost ili prouzročiti oštećenje proizvoda. Radi sigurnosti i pouzdanosti, sve popravke treba obavljati kvalificirani servisni tehničar.

⚠ UPOZORENJE: Radi izbjegavanja teških tjelesnih ozljeda, pri pregledu, čišćenju ili održavanju uvijek izvadite

baterijski modul iz proizvoda. Alat s baterijskim modulom može se nehотиčno pokrenuti sam.

⚠ UPOZORENJE: Kada čistite lančanu pilu, NEMOJTE ju uranjati u vodu ili druge tekućine.

⚠ UPOZORENJE: Nemojte dopustiti da kočione tekućine, benzin, proizvodi na bazi nafte, prodiruća ulja i sl., dođu u doticaj s plastičnim dijelovima. Kemijske tvari mogu oštetiti, oslabiti ili uništiti plastiku što može rezultirati ozbiljnim tjelesnim ozljedama.

ČIŠĆENJE

- Nakon svake uporabe, mekanom četkom očistite naslage s lanca i vodilice. Površinu lančane pile obrišite čistom krpom navlaženom u blagoj sapunici.
- Uklonite bočni poklopac, a zatim mekanom četkom očistite naslage s vodilice, lanca pile, lančanika i bočnog poklopca.
- Pri zamjeni lanca pile iz žlijeba vodilice uvijek očistite iverje od drveta, prašinu od pile i nečistoću.

ODRŽAVANJE VODILICE

Kada se na vodilici pojave znakovi istrošenosti, skinite je s pogonske glave lančane pile i okrenite je naopako radi ponovne montaže (slika R1). Na taj način će se istrošenost raspodijeliti i produžiti će se radni vijek vodilice.

Vodilicu je potrebno čistiti svaki dan kada se upotrebljava i provjeriti na postojanje znakova istrošenosti i oštećenja. Stvaranje bridova ili neravnina na tračnicama vodilice je normalan proces trošenja vodilice. Takvi nedostaci mogu se izravnati turpijom čim se pojave. Vodilica s bilo kojim od sljedećih nedostataka mora se odmah zamijeniti.

- Istrošenost unutar vodilica koja omogućuje klizanje lanca po bočnim stranicama.
- Savijena vodilica.
- Napuknute ili polomljene vodilice.
- Raširene vodilice.

Pored toga, na vrhu vodilice nalazi se lančanik (slika R2). Lančanik se mora podmazivati jednom tjedno s pomoću brizgaljke za mast je time se produžuje radni vijek vodilice. Brizgaljkom za mast jednom tjedno obavite podmazivanje uljem kroz rupu za podmazivanje (slika R3). Okrenite vodilicu i provjerite jesu li otvori za podmazivanje i žlijeb lanca zaprijeti.

R-1	Lančanik na vrhu vodilice
R-2	Otvor za podmazivanje

TRANSPORT I SKLADIŠTENJE

- Lančanu pilu ne skladištite i ne transportirajte kada radi. Prije skladištenja ili transporta uvijek izvadite baterijski modul.
- Prije skladištenja ili transporta navucite zaštitnu navlaku na vodilicu i lanac. Budite oprezni kako biste izbjegli oštre zube lanca.
- Proizvod nosite držeći ga za prednju ručku.
- Zaštitite proizvod od jakih udara ili snažnih vibracija koje se mogu pojaviti tijekom transporta u vozilima.
- Očistite lančanu pilu temeljito i ispraznite spremnik ulja prije skladištenja. Lančanu pilu pohranite na suhom mjestu koje je zaključano i nije dostupno djeci.
- Čuvajte ga dalje od korozivnih sredstava kao što su vrtne kemijske tvari i soli za odleđivanje.

ZAŠTITA OKOLIŠA



Električnu opremu, iskorištenu bateriju i punjač ne odlažite u otpad iz kućanstva!

Ovaj proizvod odnesite u ovlaštenu centar za reciklažu i time omogućite odvojeno sakupljanje. Električne alate potrebno je vratiti u ekološki prihvatljiv pogon za reciklažu.

RJEŠAVANJE PROBLEMA

▲ UPOZORENJE: Pri obavljanju bilo kakvih radova na održavanju lanca pile, zaštitite ruke debelim zaštitnim rukavicama. Izvadite baterijski modul prije servisiranja ili transporta lančane pile.

PROBLEM	UZROK	RJEŠENJE
Motor ne radi.	<ul style="list-style-type: none"> ■ Baterijski modul nije pričvršćen na lančanu pilu. ■ Nema električnog kontakta između pile i baterijskog modula. ■ Baterijski modul je ispražnjen. ■ Baterijski modul ili pila su prevrući. ■ Nije utisnut gumb za deblokadu prije pritiska okidačke sklopke. ■ Kočnica lanca je aktivirana. ■ Lanac pile zaglavio se u drvetu. ■ Naslage u žlijebu vodilice. ■ Naslage u bočnom poklopcu. ■ Upotrebljavajte baterijske module od 4,0 ili više Ah. 	<ul style="list-style-type: none"> ■ Pričvrstite baterijski modul na lančanu pilu. ■ Izvadite baterijski modul, provjerite kontakte i ponovno stavite baterijski modul. ■ Napunite baterijski modul. ■ Pričekajte da se baterijski modul ili lančana pila hlade dok temperatura ne padne u preporučeni raspon radne temperature. ■ Pritisnite jezičak za zaključavanje i držite ga pritisnutim, a zatim utisnite okidačku sklopku kako biste uključili lančanu pilu. ■ Ručicu kočnice povratnog udarca lanca povucite unatrag u radni položaj prema prednjoj dršci. ■ Otpustite okidačku sklopku, izvucite lanac pile i vodilicu iz drveta, a zatim ponovno pokrenite lančanu pilu. ■ Pritisnite lanac pile o drvo, pomičite lančanu pilu natrag i naprijed kako biste uklonili naslage. ■ Uklonite baterijski modul, zatim skinite bočni poklopac i očistite naslage. ■ Koristite samo s EGO baterijskim modulima BA1400 i BA1400T od 2,5 Ah.
Lančana pila neočekivano se zaustavlja tijekom rada.	<ul style="list-style-type: none"> ■ Lančana pila je preopterećena. ■ Baterijski modul ili pila su prevrući. ■ Lanac pile zaglavio se u drvetu. 	<ul style="list-style-type: none"> ■ Smanjite opterećenje. ■ Pričekajte da se baterijski modul ili lančana pila hlade dok temperatura ne padne u preporučeni raspon radne temperature. ■ Otpustite okidačku sklopku, izvucite lanac pile i vodilicu iz drveta, a zatim ponovno pokrenite lančanu pilu.
Motor radi, ali se lanac ne okreće.	<ul style="list-style-type: none"> ■ Lanac nije u zahvatu s pogonskim lančanikom. 	<ul style="list-style-type: none"> ■ Uklonite baterijski modul i ponovno postavite lanac vodeći računa da pogonske karike potpuno nalježu na lančanik.
Kočnica lanca ne ulazi u zahvat.	<ul style="list-style-type: none"> ■ Otpad onemogućuje puni hod ručice kočnice povratnog udarca lanca. ■ Mogući kvar kočnice lanca. 	<ul style="list-style-type: none"> ■ Očistite otpad s vanjskog mehanizma kočnice lanca. ■ Odmah prestanite koristiti lančanu pilu! Za popravak se obratite centru korisničke službe proizvođača EGO.

PROBLEM	UZROK	RJEŠENJE
Lančana pila ne reže dobro.	<ul style="list-style-type: none"> ■ Lanac je nedovoljno zategnut. ■ Lanac je tup. ■ Lanac je postavljen naopako. ■ Lanac je istrošen. ■ Lanac je suh ili je previše rastegnut. ■ Lanac nije u žlijebu vodilice. 	<ul style="list-style-type: none"> ■ Ponovno podesite zategnutost lanca, pogledajte sljedeći odjeljak: „PODEŠAVANJE ZATEGNUTOSTI LANCA”. ■ Naoštrite lanac. ■ Ponovno stavite lanac pile prema uputama iz odjeljka „SASTAVLJANJE/ZAMJENA VODILICE I LANCA”. ■ Zamijenite lanac, pogledajte sljedeći odjeljak: „SASTAVLJANJE/ZAMJENA VODILICE I LANCA”. ■ Provjerite razinu ulja. Prema potrebi dopunite ulje u spremnik ulja. ■ Zamijenite lanac pile, pogledajte sljedeći odjeljak: „SASTAVLJANJE/ZAMJENA VODILICE I LANCA”.
Lanac će se olabaviti ili spasti s vodilice za vrijeme normalne upotrebe.	<ul style="list-style-type: none"> ■ Lanac će se olabaviti jer se temperatura lanca povećava tijekom normalnog rada pile. ■ Lanac nije u zahvatu s pogonskim lančanikom. 	<ul style="list-style-type: none"> ■ Zategnite lanac prema uputama u odjeljku „PODEŠAVANJE ZATEGNUTOSTI LANCA”. ■ Zamijenite lanac pile, pogledajte sljedeći odjeljak: „SASTAVLJANJE/ZAMJENA VODILICE I LANCA”.
Vodilica i lanac zagrijevaju se tijekom rada i oslobađaju dim.	<ul style="list-style-type: none"> ■ Uvjerite se da lanac nije previše zategnut. ■ Spremnik ulja za lanac prazan je. ■ Naslage u žlijebu vodilice. 	<ul style="list-style-type: none"> ■ Ponovno zategnite lanac prema uputama u odjeljku „PODEŠAVANJE ZATEGNUTOSTI LANCA”. ■ Napunite spremnik mazivom za vodilicu i lanac. ■ Pritisnite lanac pile o drvo, pomičite lančanu pilu natrag i naprijed kako biste uklonili naslage.

JAMSTVO

PRAVILA U VEZI JAMSTVA TVRTKE EGO

Cjelokupne uvjete i odredbe pravila jamstva tvrtke EGO potražite na web-mjestu egopowerplus.eu.

სრულად გაეცანით ინსტრუქციას!



გაეცანით მომხმარებლის სახელმძღვანელოს

⚠ გაფრთხილება: ხელსაწყოს უსაფრთხოდ და გამართულად მუშაობისთვის საჭიროა მისი ყველა შეკეთება და ნაწილის შეცვლა შესრულდეს კვალიფიციური ტექნომსახურების ტექნიკოსის მიერ.

⚠ გაფრთხილება: მოწყობილობის გამოყენებამდე ყურადღებით გაეცანით აღნიშნულ სახელმძღვანელოში მოცემულ უსაფრთხოების წესებს, მათ შორის ყველა უსაფრთხოების სიმბოლოს, როგორცაა „საშიშროება“, „გაფრთხილება“ და „ყურადღება“. ქვემოთ ჩამოთვლილი მითითებების შეუსრულებლობამ შეიძლება გამოიწვიოს დენის დარტყმა, ხანძარი და/ან სხეულის სერიოზული დაზიანება.

შეინახეთ ყველა გაფრთხილება და ინსტრუქცია სამომავლოდ გამოყენებისთვის.

უსაფრთხოების სიმბოლოები

⚠ გაფრთხილება ნებისმიერი მოწყობილობის მუშაობამ შეიძლება განაპირობოს უცხო სხეულის თვალში მოხვედრა, რამაც შესაძლოა გამოიწვიოს თვალის მნიშვნელოვანი დაზიანება. ელექტრო ხელსაწყოს გამოყენებამდე აუცილებლად მოირგეთ უსაფრთხოების თვალსაფარი ან სათვალე სახის გვერდითა ნაწილების და მთლიანი სახის დამცავი ეკრანით, საჭიროების შემთხვევაში. ჩვენ რეკომენდაციას ვუწევთ ფართო ხედვის არის მქონე უსაფრთხოების ნიღაბს სათვალეებთან ერთად ან სტანდარტულ გვერდითა დამცავის მქონე უსაფრთხოების სათვალეებთან ერთად გამოსაყენებლად.



გამაფრთხილებელი ნიშანი



დაზიანების რისკის შესამცირებლად, მომხმარებელმა უნდა წაიკითხოს და გაიგოს მოწყობილობის მუშაობის ინსტრუქცია, მის გამოყენებამდე.



გაიკეთეთ თვალის დამცავი



გაიკეთეთ ყურების დამცავი



გაიკეთეთ თავის დამცავი



ჩაიცვით დამცავი ხელთათმანები



მიმმართველი ძელის წვეტის უკუცემა



ყოველთვის გამოიყენეთ ჯაჭვური ხერხი ორი ხელით



მოერიდეთ ჯაჭვური ხერხის უკუცემას და ძელის წვერთან კონტაქტს



ინფორმაცია მიმმართველ ძელზე



გარანტირებული ხმის სიმძლავრის დონე. გარემოში ხმაურის გავრცელების დონე ევროკავშირის რეგულაციების შესატყვისია.



ელექტრო ხელსაწყოს ნარჩენები არ გადაყაროთ საყოფაცხოვრებო ნარჩენებთან ერთად. წაიღეთ შესაბამის გადამამუშავებელ საწარმოში.

KA



მოწყობილობა შეესაბამება EC-ის მოქმედ რეგულაციებს.



აღნიშნული ხელსაწყო აკმაყოფილებს გაერთიანებული სამეფოს კანონმდებლობით დადგენილ მოთხოვნებს.



მუდმივი დენი



წყლის შემხვევებისგან დაცვა

მმ

მილიმეტრი



დაუტვირთავი სიჩქარე

V

მაგვა



.../წთ



წუთში

სპეციფიკაციები

ნომინალური მძვა	56 ვ	
მაქს. ჯაჭვის სიჩქარე	20 მ/წმ	
ჯაჭვის ბიჯი	1/4" (6.4 მმ)	
ჯაჭვის სისქე	1.1 მმ	
მიმმართველი ძელის სიგრძე	300 მმ	
ხერხის ჯაჭვის მოდელი	AC1204Q (რეკომენდებული)	
	AC1000Q (თავსებადი)	
მიმმართველი ძელის მოდელი	AG1000Q (თავსებადი)	
ხერხის ჯაჭვისა და ძელის კომპლექტის მოდელი	AK1204Q (რეკომენდებული)	
ჯაჭვის ზეთის საცავის მოცულობა	150 მლ	
წონა (აკუმულატორის ბლოკის გარეშე, ხერხის ჯაჭვი, მიმმართველი ლერძი, გვერდითი საფარი, ზეთი და ჯაჭვის გარსი)	1.9 კგ	
რეკომენდებული საექსპლუატაციო ტემპერატურა	-15°C-40°C	
რეკომენდებული დასაწყობების ტემპერატურა	-20°C-70°C	
რეკომენდებული დამუხტვის ტემპერატურა	5°C-40°C	
გაზომილი ხმის სიმძლავრის დონე L_{WA}	97 დბ(A) K=3.6 დბ(A)	
ბგერის წნევის დონე სამუშაო პოზიციაში L_{PA}	89 დბ(A) K=3 დბ(A)	
გარანტირებული ხმის სიმძლავრის დონე L_{WA} (2000/14/EC რეგულაციის მიხედვით)	101 დბ(A)	
ვიბრაცია a_h	წინა სახელური	2,64 მ/წმ ² K= 1,5 მ/წმ ²
	უკანა სახელური	2,05 მ/წმ ² K= 1,5 მ/წმ ²

- მითითებული ვიბრაციის სრული სიდიდე გაზომილია სტანდარტული ტესტირების მეთოდის გამოყენებით და შესაძლოა გამოყენებულ იქნას ერთი მოწყობილობის მეორესთან შედარებისას;
- მითითებული ვიბრაციის სრული სიდიდე ასევე შესაძლოა გამოყენებულ იქნას ზემოქმედების პირველადი შეფასებისას.

შენიშვნა: ელექტრო ხელსაწყოს ფაქტობრივი გამოყენებისას ვიბრაციის ემისია შესაძლოა განსხვავდებოდეს მითითებული სიდიდისგან; მომხმარებელმა მოწყობილობით სარგებლობისას საჭიროა გამოიყენოს ხელთათმანები და სმენის დამცავი საშუალებები.

შეფუთვის რეესტრი (ნახ. A1)

აღწერილობა

შეისწავლეთ თქვენი ჯაჭვური ხერხი (ნახ. A1)

1. მიმმართველი ძელი
2. ხერხის ჯაჭვი
3. ხერხის უკუცემის მუხრუჭის ლაფოტი
4. უკანა სახელური
5. წინა სახელური
6. ზეთის შემოწმების ფანჯარა
7. ზეთის ავზის ხუფი
8. ჩამკეტი ენაკი
9. ტრიგერული გადამრთველი
10. აკუმულატორის მოხსნის დილაკი
11. გვერდითი ხუფი
12. ძელის ქანჩი
13. დამჭიმავე ხრახნი
14. შესაზეთი ნასვრეტი
15. ჯაჭვის შალითა
16. გვარლის საკიდი
17. კომბინირებული ქანჩის გასაღები

ნაკრები

ძელის და ჯაჭვის აწყობის/გამოცვლის წესი

⚠ გაფრთხილება: აწყობის ან ტექმომსახურების წინ მოხსენით აკუმულატორის ბლოკი. ჩამოთვლილი გაფრთხილებების უგულბებლყოფა გამოიწვევს სერიოზულ ფიზიკურ ზიანს.

KA

⚠ გაფრთხილება: აწყობამდე დაარეგულირეთ ჯაჭვის უკუცემის მუხრუჭის ფრთა დამუხრუჭების პოზიციამ.

⚠ გაფრთხილება: ყოველთვის ჩაიცვით ხელთათმანები, როდესაც ეპერობით ხერხის ჯაჭვს ან მის ძელს; ეს კომპონენტები მჭრელია და უსწორმასწორო.

1. მოათავსეთ ჯაჭვური ხერხის ელექტრული თავი გვერდზე ისე, რომ გვერდითა ხუფი იყოს ზედა მხარეს (ნახ. B).
2. მოხსენით გვერდითა საფარი ძელის ქანჩის საათის ისრის საწინააღმდეგო მიმართულებით დატრიალებით.
3. დაატრიალეთ დამჭიმავი ჭანჭიკი საათის ისრის საწინააღმდეგო მიმართულებით ჯაჭვის დაჭიმვის მოსაშვებად.
4. მოათავსეთ ხერხის ჯაჭვი მარყუჟისებურად ბრტყელ ზედაპირზე და გაასწორეთ ნებისმიერი გადახლართვა (ნახ. C).
5. მოათავსეთ ჯაჭვის მამოძრავებელი რგოლები ძელის სიდრუმში და დარწმუნდით, რომ ჯაჭვი შემოევლება ზელს უკანა მხრიდან (ნახ. D).
6. დაიჭირეთ ჯაჭვი ძელზე პოზიციამი და ჩამოაცვით მარყუჟი ხერხის კბილანას გარშემო (ნახ. E1).

D-1	ჯაჭვური ამძრავის რგოლი	E-2	სწორების შვერილები
D-2	მიმმართველი ძელის სიდრუმე	E-3	დამჭიმავი წვირი
E-1	წამყვანი კბილანა	E-4	მართებელი ჭანჭიკი

შენიშვნა: როცა ხერხის ჯაჭვს მარყუჟისებურად წამოაცმევთ მიმმართველ ღერძზე, დარწმუნდით, რომ ხერხზე მიმმართველი ღერძის დამონტაჟების შემდეგ საჭრელის მიმართულება შეესაბამებოდეს კორპუსზე გამოსახულ ჭრის ხატულას და ბრუნვის მიმართულების ისარს (ნახ. E1). თუ ისინი საპირისპირო მიმართულებით არის მიმართული, ხელახლა ააწყვეთ ხერხის ჯაჭვი მიმმართველ ძელზე ისე, რომ საჭრელი დანები მიმართული იყოს იმავე მიმართულებით (ნახ. E2).

7. განათავსეთ მიმმართველი ძელი სამონტაჟო ზედაპირზე, სწორების შვერილებზე მიმმართველი ძელის

ლიობების გადაადგილებით. დარწმუნდით, რომ მიმმართველი ძელი სწორად არის განლაგებული დამაგრების ჭანჭიკსა და დამჭიმ ღეროზე.

8. შეცვალეთ გვერდითა ხუფი ხერხის ჯაჭვის კორპუსზე (ნახ. E3) და ბოლომდე მოუჭირეთ ძელის ჭანჭიკს.

შენიშვნა: მიმმართველი ძელის ქვეშ არსებულმა ლითონის ფირფიტამ (ნახ. F) შეიძლება ამოიწიოს ზემოთ აწყობისას და ტექნომსახურებისას. თუ ეს მოხდება, კარგად გაწმინდეთ ლითონის ფირფიტასა და კორპუსს შორის არსებული ხვრელი და დააწეით მეტალის ფირფიტას უკან, რათა ის **მყარად ჩაჯდეს კორპუსში**. თუ ლითონის ფირფიტას არ გაწმინდით და არ მოათავსებთ ადგილზე სათანადოდ, ეს გამოიწვევს მიმმართველი ძელის არასწორ განთავსებას.

9. დაატრიალეთ ჯაჭვი ხელით, რათა შეამოწმოთ, არის თუ არა სათანადოდ აწყობილი. წინააღმდეგ შემთხვევაში, ხელახლა ააწყვეთ ჯაჭვი და ძელი.

შენიშვნა: ძელის სიცოცხლის ხანგრძლივობის გასაზრდელად, ხანდახან მოატრიალეთ მისი დამაგრების მდებარეობა.

ჯაჭვის დაჭიმვის რეგულირება

- გააჩერეთ ძრავა და მოხსენით აკუმულატორი სანამ დაიწყებთ ჯაჭვის დაჭიმვის რეგულირებას. ჯაჭვის დაჭიმვა დასარეგულირებლად დაატრიალეთ ჯაჭვის დამჭიმავი ხრახნი საათის ისრის მიმართულებით ან საწინააღმდეგო მიმართულებით (ნახ. F), სანამ ჯაჭვი მჭიდროდ არ შემოეხვევა მიმმართველ ძელს მამოძრავებელი რგოლებით ძელის სიდრუმში.
- გრილი ჯაჭვი სწორადაა დაჭიმული, თუ მოშვებული არაა ძელის ქვედა მხარეს და ძელს ჯაჭვი მჭიდროდ ეკვრის, თუმცა ამავე დროს შესაძლებელია ჯაჭვის ხელით დატრიალებაც. ჯაჭვის ხელახალი დაჭიმვა საჭირო ხდება, როდესაც მამოძრავებელი რგოლების ბრტყელი ნაწილი აღარ ჯდება ძელის სიდრუმში.
- ხერხის ჩვეულებრივი მოხმარებისას, ჯაჭვის ტემპერატურა მოიმატებს. სწორად დაჭიმული ჯაჭვის გამთბარი რგოლები ძელის სიდრუმთან ჩამოეკიდება დაახლოებით 1-2 მმ-ით (ნახ. G).

KA

შენიშვნა: ჩვეულებრივ ახალი ჯაჭვები იწელება დროთა განმავლობაში; შეამოწმეთ ჯაჭვის დაჭიმვის ხარისხი პერიოდულად და შესაბამისად დაარეგულირეთ ხოლმე.

შენიშვნა: თბილი დაჭიმული ჯაჭვი შესაძლოა გახდეს ზედმეტად დაჭიმული გაგრილების შემდეგ. შეამოწმეთ დაჭიმულობა გრილი ჯაჭვის შემთხვევაში ხელსაწყოს შემდეგ გამოყენებამდე.

ექსპლუატაცია

▲ გაფრთხილება: შეეცადეთ მსგავსი პროდუქტის გამოყენების გამოცილივამ არ გამოიწვიოს თქვენი გაუფრთხილებლობა. დაიმახსოვრეთ, რომ გაუფრთხილებლობამ წამის მგათედშიც კი შესაძლოა მოგიტანოთ სერიოზული ზიანი.

▲ გაფრთხილება: არ გამოიყენოთ სხვა მისამარგებელი ხელსაწყო ან აქსესუარი, რომელიც არაა რეკომენდებული ამ პროდუქტის მწარმოებლის მიერ. არარეკომენდებული მისამარგებელი ხელსაწყო ან აქსესუარების გამოყენებამ შესაძლოა მოგაყენოთ სერიოზული ზიანი.

▲ გაფრთხილება: უცაბედი ჩართვის გამოსარიცხად, რომელმაც შესაძლოა გამოიწვიოს სერიოზული პერსონალური ზიანი, ყოველთვის მოხსენით აკუმულატორი ხელსაწყოს, როდესაც ხდება მისი აწყობა, რეგულირება, წმენდა ან როდესაც არ ხდება ხელსაწყოს გამოყენება.

ყოველი გამოყენების წინ შეამოწმეთ მთლიანი პროდუქტი, ხომ არ არის დაზიანებული, დაკარგული ან მოშვებული მისი ნაწილები, როგორცაა ხრახნები, ქანჩები, ქანჭიკები, ხუფები და ა.შ. მჭიდროდ დაუჭირეთ ყველა სამაგრი და ხუფი და არ ამუშაოთ ეს ხელსაწყო, სანამ ყველა დაკარგული ან დაზიანებული ნაწილი არ შეიცვლება.

გამოყენებები

თქვენ შეგიძლიათ გამოიყენოთ ეს პროდუქტი ხის ჭრის ძირითადი ფორმებისთვის.

▲ გაფრთხილება: არ გამოიყენოთ ეს ჯაჭვური ხერხი, თუ არ გაქვთ ნასწავლი მისი გამოყენება. შესაბამისი მომზადების გარეშე ჯაჭვური ხერხის ხეზე გამოყენებამ შეიძლება გაზარდოს სერიოზული ფიზიკური დაზიანების რისკი.

შენიშვნა: ხელსაწყოს გამოყენება შესაძლებელია მხოლოდ დანიშნულებისამებრ. სხვა ნებისმიერი სახით გამოყენება ჩაითვლება, როგორც არასწორი გამოყენების შემთხვევა.

ძელის და ჯაჭვის ზეთის ავსება.

▲ გაფრთხილება: ნუ მოსწევთ ან მოიტანთ ნებისმიერ ცეცხლს ან ალს ზეთის ან ჯაჭვური ხერხის სიახლოვეს. ზეთი შესაძლოა დაიქცეს და გაჩნდეს ხანძარი.

შენიშვნა: ჯაჭვური ხერხი არ არის ზეთით სავსე შექმნის მომენტში. აუცილებელია ავზის შევსება ზეთით ხელსაწყოს გამოყენებამდე. ჯაჭვი ავტომატურად გაიპოხება ჯაჭვის ზეთით მუშაობის პროცესის დროს, თუ ავზში არის საჭირო ოდენობის ზეთი.

1. მოათავსეთ ჯაჭვური ხერხი გვერდზე ისე, რომ ავზის ხუფი იყოს ზევით მიმართული.
2. გაწმინდეთ ზეთის საცავის ხუფი და მის გარშემო არსებული არე, რათა დარწმუნდეთ, რომ საცავში არ მოხვდება ქუქყი.
3. ასწიეთ ნახევრად წრიული ფორფიტა და მოატრიალეთ ზეთის საცავის ხუფი საათის ისრის საწინააღმდეგო მიმართულებით მოსასხნელად (ნახ. H).
4. ფრთხილად ჩაასხით ძელის და ჯაჭვის ზეთი საცავში. შეავსეთ ზეთით შემცხები ყელის ბოლომდე.
5. მოწმინდეთ ნარჩენი ზეთი და დაუჭირეთ ხუფი.

შენიშვნა: ხშირად შეამოწმეთ ზეთის დონე და შეავსეთ ის, როდესაც ზეთის დონე მინიმუმზე დაბლა ჩამოვა. არასოდეს ჩართოთ ჯაჭვური ხერხი, თუ ზეთის დანახვა შეუძლებელია.

საჭიმარის თვალის გამოყენება (ნახ. H)

▲ გაფრთხილება: როდესაც ხერხი ხელსაწყოს ქამარზეა დაკიდებული, ჯაჭვური ხერხი და მიმართველი ძელი მუდამ ჯაჭვის საფარით უნდა იყოს დაფარული. ხერხის ჯაჭვი ბასრია და შეიძლება გამოიწვიოს სერიოზული დაზიანება.

▲ გაფრთხილება: გამოიყენეთ სათანადო საჭიმარი, რომელიც გაუძლებს ჯაჭვური ხერხისა და აკუმულატორის კომპლექტის გაერთიანებულ წონას. ჯაჭვური ხერხის დავარდნამ შესაძლოა გამოიწვიოს სერიოზული ფიზიკური ზიანი ან ქონების დაზიანება.



აკუმულატორის ბლოკის ჩამაგრება/მოხსნა გამოიყენეთ მხოლოდ ნახ. A2-ში ჩამოთვლილი EGO-ს აკუმულატორის ბლოკები და დამტენები.

სრულად დატენით პირველად გამოყენებამდე.

დამაგრება

გაუსწორეთ აკუმულატორის სამაგრები ბუდის დასვრტებს და დააწეეთ აკუმულატორის ბლოკს, სანამ არ გაიგებთ „წკაპუნის“ ხმას (ნახ. I).

მოხსნა

დააჭირეთ აკუმულატორის გამშვებ ღილაკს და ამოიღეთ აკუმულატორის ბლოკი (ნახ. J).

⚠ გაფრთხილება: ჭრის დროს კომფორტული წონასწორობის შესანარჩუნებლად გამოიყენეთ მხოლოდ BA1400/BA1400T აკუმულატორის ბლოკი.

ჯაჭვური ხერხის ჩართვა/გამორთვა

შენიშვნა: ჯაჭვური ხერხის ჩართვამდე შეამოწმეთ ზეთის დონე, ჯაჭვის დაჭიმვა, ხერხის კბილები დაზღაგვებაზე და უკუცემის მუხრუჭის ბერკეტი სწორად მუშაობაზე. ამასთან, იქონიეთ მყარი საყრდენი და მართებული დისტანცია მიწიდან.

დაწევა (ნახ. K)

1. მოქაჩეთ ხერხის უკუცემის მუხრუჭის სახელურს ხერხის წინა სახელურისკენ, რათა მოათავსოთ სამუშაო პოზიციაში (ნახ. K).
2. მაგრად ჩაჭიდეთ წინა სახელურს **მარცხენა** ხელი და უკანა სახელურს - **მარჯვენა**.

⚠ გაფრთხილება: ტრავმის თავიდან აცილების მიზნით, ყოველთვის გამოიყენეთ ჯაჭვის ხერხი მარჯვენა ხელით, ისე, რომ ხელი ჩასჭიდოთ უკანა სახელურს მოსაჭიდ არეში (ნახ. L).

3. გადაწიეთ ჩამკეტი ენაკი წინ და შემდეგ დააწეეთ ტრიგერ ჩამრთველს ხერხის ასამუშავებლად (ნახ. L).

L-1	მოჭერის ზონა
-----	--------------

4. ხელი გაუშვით დამბლოკავ ენაკს და გააგრძელეთ ტრიგერ ჩამრთველზე თითის დაჭერა უწყვეტი მუშაობისთვის.
5. რაც უფრო მეტად ხდება ტრიგერულ გადამრთველზე დაჭერა, მით უფრო მეტია ჯაჭვის სიჩქარე. დაარეგულირეთ სიჩქარე

შესასრულებელი სამუშაოს მიხედვით.

⚠ გაფრთხილება: არ შეეცადოდ ხერხის ჩართვას, როდესაც ჯაჭვური ხერხი დარჩენილია ჭდებში.

გამორთვა

1. მოაშორეთ ჯაჭვური ხერხი ჭრის ზონას და შემდეგ აუშვით ტრიგერ ჩამრთველს, რათა გააჩეროთ ჯაჭვიანი ხერხი.
2. დააწეეთ ჯაჭვის უკუცემის მუხრუჭის სახელურს წინ სამუხრუჭო პოზიციაში, რათა ჩართოთ ჯაჭვის მუხრუჭი (ნახ. K).

⚠ გაფრთხილება: ყოველთვის მოხსენით აკუმულატორი მოწყობილობას შესვენებისას ან სამუშაოს დამთავრებისთანავე.

სწორად ჩაჭიდება სახელურებზე (ნახ. M)

- ჩაიცვით მოცურების საწინააღმდეგო ხელათმანები მაქსიმალური მოჭიდებისა და უსაფრთხოებისთვის.
- მყარ, ბრტყელ ზედაპირზე მოთავსებული ხერხი დაიჭირეთ მჭიდროდ ორივე ხელით.
- ყოველთვის ჩაჭიდეთ წინა სახელურს მარცხენა ხელი და უკანა სახელურს - მარჯვენა.
- თითები უნდა შემოეჭდოს სახელურს, ცერა თითი წინა სახელურის ქვედა მხარეს.

⚠ გაფრთხილება: არასოდეს გამოიყენოთ მარცხენა-ხელის (გადანაცვლებული) დაჭერა ან ნებისმიერი სხვა პოზიცია, რომელიც მოაყოლებს თქვენს სხეულს ან მკლავს ჯაჭვის ხაზის გასწვრივ.

⚠ გაფრთხილება: არ მოათავსოთ ტრიგერზე მარცხენა ხელი, ხოლო წინა სახელურზე კი - მარცხენა. არასოდეს დაუშვათ თქვენი სხეულის რომელიმე ნაწილის ჯაჭვის ხაზის პირისპირ მოთავსება ხერხის გამოყენებისას (ნახ. N).

ჭრის მართვადი პოზიცია (ნახ. O)

- ორივე ფეხი უნდა იდგეს მყარად მიწაზე, წონა მათზე თანაბრად გადანაწილებული უნდა იყოს.
- მარცხენა ხელი უნდა იყოს გამართული გაშლილი იდაყვით. ეს გუნძარებათ გაუძლოთ უკუცემის დროს წარმოქმნილ ძალებს.
- თქვენი სხეული ყოველთვის უნდა იყოს ხერხის ხაზის მარცხენა მხარეს.

ჭრის გაფრელებული ტექნიკა

▲ გაფრთხილება: ყოველთვის დაწმენდით თქვენს მყარ საყრდენზე და დაიჭირეთ ხერხი მჭიდროდ ორივე ხელით, როცა მრავა მუშაობს.

▲ გაფრთხილება: როდესაც ხერხის ჯაჭვი ჩაიჭირება ხერხვის პროცესში, ხელი გაუშვით ჩამრთველ ტრიგერს, ამოიღეთ ხერხის ჯაჭვი და ჯაჭვური ხერხი ხიდან და ხელახლა ჩართეთ იგი.

▲ გაფრთხილება: არ მოქაჩოთ ხერხის ჯაჭვი ხელით, როცა იგი გაქედლია ნახერხის გამო. ჯაჭვური ხერხის უცაბედმა ჩართვამ შესაძლოა გამოიწვიოს სერიოზული ფიზიკური ზიანი. დაადეთ ხერხის ჯაჭვი ხეს, ამოდრავთ ხერხი წინ და უკან უცხო სხეულების მოსაცილებლად. ყოველთვის მოხსენით აკუმულატორი გაწმენდამდე. ჩაიცვით დამცავი ხელთათმანები ჯაჭვური ხერხის გამოყენებისას.

▲ გაფრთხილება: არასოდეს ჩართეთ ჯაჭვური ხერხი, როცა ის ეხება ხეს. ყოველთვის მიეცით ჯაჭვურ ხერხს საშუალება, მიაღწიოს მაქსიმალურ სიჩქარეს მისით გახერხვის დაწყებამდე.

▲ გაფრთხილება: ეს ზედა სახელურაინი ჯაჭვური ხერხი არ არის განკუთვნილი მიწაზე გამოყენებისთვის, ამიტომ ეს სახელმძღვანელო არ შეიცავს ინსტრუქციებს ხეების მოჭრის, ტოტების გასხევის და ხეების გასხვლის შესახებ.

▲ გაფრთხილება: ეს შიდა ინსტრუქციები ეხება ამ ზედა-სახელურიან ჯაჭვურ ხერხს, რომელიც სპეციალურად შექმნილია ხეების-საჭრელად იმ სერტიფიცირებული ხის მჭრელების მიერ, რომლებსაც გავლილი აქვთ სპეციალური სწავლება ამ კუთხით.

▲ გაფრთხილება: ხის ზედა ნაწილის მოჭრამ შეიძლება გამოიწვიოს ტრავმა. ეს უნდა შესარულოს სათანადო სწავლება გავლილმა პირმა.

▲ გაფრთხილება: იმ ადამიანებმა, რომლებიც სულ პირველად იყენებენ ხერხს, უნდა სცადონ მორების გახერხვა სახერხ ხარაჩოზე ან მორის დასადგმზე.

▲ გაფრთხილება: დაუშვებელია ხეებზე მუშაობა ძლიერი ქარის შემთხვევაში.

▲ გაფრთხილება: მუშაობის დაწყებამდე, ხის ვარდნის ადგილი დაცალეთ იქვე მდგომი

ადამიანებისგან.

▲ გაფრთხილება: თქვენზე და მოწყობილობაზე არ უნდა იყოს ისეთი მასალა, რომლის ჩამოვარდნაც შეიძლება.

ყურადღება: ხეზე მუშაობის დაწყებამდე დარწმუნდით, რომ აკუმულატორი სრულად არის დამუხტული.

გასხვლა (ნახ. P)

მიყევით ქვევით აღწერილ ნაბიჯებს, რათა თავიდან აიცილოთ ხის ან ბუჩქის მერქნის დაზიანება. არ გამოიყენოთ წინ-და-უკან ტიპის ხერხვის მოძრაობა.

1. გააკეთეთ ზედაპირული პირველი ჭდე (ტოტის დიამეტრის 1/3) ტოტის ქვედა მხარეს, ძირითად ტოტთან ან ხის ტანთან ახლოს.
2. გააკეთეთ მეორე ჭდე ტოტის ზედა მხრიდან პირველი ჭდიდან განზე. გააგრძელეთ ტოტის ხერხვა, სანამ ტოტი არ მოსცილდება ხეს. მზად იყავით ხელსაწყოს წონის გასაწონასწორებლად და მოიშორეთ ის ჭრის დასრულებამდე.
3. გააკეთეთ საბოლოო ჭდე ხის ტანთან ახლოს.

ხის ზედა ნაწილზე ჭრა

ხის ზედა ნაწილზე ჭრის დაწყებამდე, მოაშორეთ სუსტად დამაგრებული ქერქი, ლურსმნები, კავები და მავთული ხიდან, სადაც ჭრა უნდა გაკეთდეს.

ქვედა ჭდის დადება

დაადეთ ხეს მისი დიამეტრის 1/4 სიღრმის ჭდე, წაქცევის მიმართულების მართებულად, როგორც ნახ. Q-ზე ნაჩვენებია. ჯერ გააკეთეთ ქვედა ჰორიზონტალური ჭდე. ეს დაგეხმარებათ თავიდან აირიდოთ ხერხის ჯაჭვის ან ძელოს ჩაყოლა, როდესაც გააკეთებთ მეორე ჭდეს.

Q-1	დაცემის მიმართულება	Q-3	განაკვეთი ხის წაქცევის საპირისპირო მხარეს
Q-2	ჭდე	Q-4	სახსარი

KA

განაკვეთი ხის წაქცევის საპირისპირო მხარეს

- გააკეთეთ ხის წაქცევის საპირისპირო განაკვეთი ჰორიზონტალური ჭდის

სიმაღლეზე, როგორც ნახ. Q-ზე ნაჩვენებია. ხის წაქცევის საპირისპირო განაკვეთი უნდა იყოს ჰორიზონტალური ჭედის პარალელურად. ისე გააკეთეთ ხის წაქცევის საპირისპირო განაკვეთი, რომ დარჩეს საკმარისი ხე შუაში სახსრად. დარჩენილი სახსარი იკავებს ხეს, რათა იგი არ დატრიალდეს და არ წაიქცეს არასწორი მიმართულებით. არ გაჭრათ სახსრის განივად.

- როდესაც ჭრა სახსარს მიუახლოვდება, ხე დაიწყებს დაცემას. თუ არსებობს იმის შანსი, რომ ხე არ დაეცემა სასურველი მიმართულებით ან გამოქანდება უკან და ჩაითრევს ხერხის ჯაჭვს, გააჩერეთ ხერხის პროცესი ხის წაქცევის განაკვეთის დასრულებამდე და გამოიყენეთ ხის, პლასტმასის ან ალუმინის სოლები, რათა გახსნათ განაკვეთი და წააქციოთ ხე სასურველი მიმართულებით.
- როდესაც ხის მოჭრილი ზედა ნაწილი დაიწყებს დაცემას, ამოიღეთ ხერხი განაკვეთიდან, გააჩერეთ ძრავი, და ამოქმედეთ ჯაჭვის მუხრუჭი. უფრთხილდით ჩამოვადნობ ტოტებს და არ დაგვიცდით ფეხი.

ტექნიკური მომსახურება

▲ გაფრთხილება: შეკეთებისას გამოიყენეთ მხოლოდ იდენტური სათანადო ნაწილები. სხვა ნებისმიერი ნაწილის გამოყენებამ შესაძლოა შექმნას საფრთხე ან გამოიწვიოს მოწყობილობის დაზიანება. ხელსაწყოს უსაფრთხოოდ და გამართულად მუშაობისთვის საჭიროა მისი ყველა შეკეთება და ნაწილის შეცვლა შესრულდეს კვალიფიციური ტექნომსახურების ტექნიკოსის მიერ.

▲ გაფრთხილება: სერიოზული პერსონალური ზიანისგან თავის არიდების მიზნით, ამოიღეთ აკუმულატორის ბლოკი ხელსაწყოდან მის დათვალიერებამდე, გაწმენდამდე ან ტექნომსახურებამდე. აკუმულატორზე მომუშავე ხელსაწყო მიმაგრებული აკუმულატორით ყოველთვის მართულია და შესაძლოა უცებ ჩაერთოს.

▲ გაფრთხილება: როდესაც წმენდთ ჯაჭვურ ხერხს, არ მოათავსოთ წყალში ან სხვა სითხეში.

▲ გაფრთხილება: არცერთ შემთხვევაში არ მისცეთ სატორმუზო სითხეს, ბენზინს, ნავთობის ბაზაზე დამზადებულ პროდუქტებს

ან სხვა ძლიერი გამხსნელებს მოვიდნენ პლასტმასის ნაწილებთან კონტაქტში. ქიმიურმა ნერთებმა შესაძლოა დააზიანოს, გაცვიტოს და დაშალოს პლასტმასი, რამაც შეიძლება მოგაყენოთ სერიოზული პირადი ზიანი.

გაწმენდა

- ყოველი გამოყენების შემდეგ მოაცილეთ ნარჩენი ჯაჭვს და მიმართველ ძელს რბილი ფუნჯით. გადაწმინდეთ ჯაჭვური ხერხის ზედაპირი სუფთა, ნოტიო ქსოვილით და რბილი სარეცხი საშუალებით.
- მოხსენით გვერდითა ხუფი, შემდეგ გამოიყენეთ რბილი ფუნჯი, რათა მოაცილოთ ნარჩენი ძელს, ხერხის ჯაჭვს, კბილანას და გვერდითა ხუფს.
- ყოველთვის ამოწმინდეთ ნაწილები, ნახერხი და ჭუჭყი ძელის სიღრმედან, როდესაც ცვლით ხერხის ჯაჭვს.

მიმართველი ძელის ტექნომსახურება

როდესაც ხერხის მიმართველ ძელს დაეტყობა ცვეთის ნიშნები, მოხსენით ის ჯაჭვური ხერხის ელექტრო თავაკიდან და შემოაბრუნეთ ხელახლა დასაყენებლად (ნახ. R1). რის შედეგადაც ცვეთა გადანაწილდება მის სრულ არეზე და გაიზრდება მისი მუშა ციკლი.

ხერხის ძელი უნდა გაიწმინდოს ყოველ დღე სარგებლობისას და შემოწმდეს ცვეთასა და დაზიანებაზე. ხერხის ძელის რელსზე ცალმხრივი ცვეთა და უსწორმასწორობები არის ძელის ცვეთის ნორმალური პროცესი. მსგავსი ტიპის უსწორმასწორობები უნდა გაიქლიბოს მათი გამოჩენისთანავე. ქვევით ჩამოთვლილი პრობლემების მქონე ძელი უნდა შეიცვალოს.

- ძელის რელსების შიგნით არსებული ცვეთა, რომლის გამოც ჯაჭვი გვერდით გადაიხრება.
- გაღუნული მიმართველი ძელი.
- გაზზარული ან გატეხილი რელსები.
- გაშლილი რელსები.

ასევე, ხერხის მიმართველ ძელს გააჩნია კბილანა მის წვერთან (ნახ. R2). კბილანის შეზეთვა საჭიროა ყოველკვირეულად ზეთის შპრიცის გამოყენებით, რათა გაზარდოთ ძელის საექსპლუატაციო ვადა. გამოიყენეთ ზეთის შპრიცი, რათა ყოველკვირეულად შეზეთოთ ჯაჭვის ზეთით შესაზეთი ნასვრეტის საშუალებით (ნახ. R3). მოატრიალეთ მიმართველი ძელი და დარწმუნდით, რომ

KA

შესაზეთ ნასვრეტებსა და ძელის დარში არაა უცხო სხეულები.

R-1	ძელის წვერში არსებული კბილანა
R-2	შესაზეთი ნასვრეტი

ტრანსპორტირება და შენახვა

- არ შეინახოთ ან არ მოახდინოთ ჯაჭვური ხერხის ტრანსპორტირება ჩართულ მდგომარეობაში. ყოველთვის მოხსენით აკუმულატორი შენახვამდე ან ტრანსპორტირებამდე.
- ჯაჭვური ხერხის შენახვამდე ან ტრანსპორტირებამდე ყოველთვის გაუკეთეთ ჯაჭვის ხალიჩა მიმართველ ძელს და ჯაჭვს. გამოიჩინეთ სიფრთხილე ჯაჭვის მჭრელ კბილანებთან მიმართებაში.
- ყოველთვის ატარეთ პროდუქტი მისი წინა სახელურით.
- დაიცავით პროდუქტი ნებისმიერი მძიმე ზემოქმედების ან მლიერი ვიბრაციებისგან, რომლებიც შეიძლება მოხდეს ავტომობილით ტრანსპორტირების დროს.
- შენახვამდე საგულდაგულოდ გაწმინდეთ ჯაჭვური ხერხი და დაცალეთ ზეთის ავზი. შეინახეთ ჯაჭვური ხერხი შენობაში მშრალ, დაკეტილ და/ან ბავშვებისთვის მიუწვდომელ ადგილას.

- მოაცილეთ კოროზიის გამომწვევი ნივთიერებები, როგორცაა სოფლის მეურნეობაში გამოყენებული ქიმიკატები და მოყინვის საწინააღმდეგო ტექნიკური მარილი.

გარემოს ცავა



არ მოათავსოთ ელექტრო მოწყობილობა, ნახშირი დამტენი და აკუმულატორი საყოფაცხოვრებო ნაგავში!
 მიუტანეთ პროდუქტი ნარჩენების ავტორიზირებულ გადამამუშავებელს და უზრუნველყავით ასეთი ნარჩენის განცალკევებულად შეგროვება. ელექტრო ხელსაწყოები უნდა ჩაბარდეს გარემოს თვალსაზრისით თავსებად ნარჩენების გადამამუშავებელ ობიექტს.

KA

დიაგნოსტიკა

▲ გაფრთხილება: ყოველთვის დაიცავით თქვენი ხელეები დამცავი ხელთათმანებით, როცა ხერხის ჯაჭვს უტარებთ ნებისმიერ სერვისს. ყოველთვის მოხსენით აკუმულატორი ჯაჭვურ ხერხს სერვისამდე ან ტრანსპორტირებამდე.

პრობლემა	მიზეზი	გადაჭრის გზა
მოტორი არ ირთვება.	<ul style="list-style-type: none"> ■ აკუმულატორი არ არის შეერთებული ხერხზე. ■ ხერხსა და აკუმულატორს ბლოკს შორის არ არის ელექტრო კონტაქტი. ■ აკუმულატორის ბლოკი დაცლილია. ■ აკუმულატორი ან ხერხი ზედმეტად გაცხელებულია. ■ დამბლოკავი ენაკი არ არის გადაყვანილი ჩართულ პოზიციაში ტრიგერ ჩამრთველზე ხელის დაჭერამდე. ■ ჯაჭვის მუხრუჭი ჩართულია. ■ ხერხის ჯაჭვი გაჭედილია ხეში. ■ ძელის სიდრუეში უცხო სხეულებია. ■ უცხო სხეულებია გვერდითა ხუფში. ■ გამოყენებულია 4.0 ან მეტი ამპ/სთ აკუმულატორის ბლოკები. 	<ul style="list-style-type: none"> ■ მიუერთეთ აკუმულატორი ჯაჭვურ ხერხს. ■ მოხსენით აკუმულატორის ბლოკი, შეამოწმეთ კონტაქტები და კვლავ მოათავსეთ იგი უკან. ■ დატენეთ აკუმულატორის ბლოკი. ■ აცალეთ აკუმულატორს ან ჯაჭვურ ხერხს მუშაობისთვის დადგენილ ტემპერატურამდე გაცივება. ■ დააჭირეთ ჩამკეტ ბერკეტს და გააჩერეთ ამ მდგომარეობაში, შემდეგ დააჭირეთ თითო ჩამრთველ ტრიგერს რათა ჩართოთ ჯაჭვური ხერხი. ■ მოქაჩეთ ჯაჭვური ხერხის უკუცემის მუხრუჭის სახელურს უკან ხერხის წინა სახელურისკენ, რათა მოათავსოთ სამუშაო პოზიციაში. ■ ხელი გაუშვით ჩამრთველ ტრიგერს, ამოიღეთ ხერხის ჯაჭვი და ჯაჭვური ხერხი ხიდან და ხელახლა ჩართეთ ხერხი. ■ დაადეთ ხერხის ჯაჭვი ხეს, ამომრავეთ ხერხი წინ და უკან უცხო სხეულების მოსაცილებლად. ■ მოხსენით აკუმულატორი, შემდეგ მოუშვით გვერდითა ხუფი და გაწმინდეთ უცხო სხეულებისგან. ■ გამოიყენეთ მხოლოდ EGO-ს 2.5 ამპ/სთ BA1400 და BA1400T აკუმულატორის ბლოკები.
ჯაჭვიანი ხერხი ჩერდება მოულოდნელად მუშაობის პროცესის დროს.	<ul style="list-style-type: none"> ■ ხერხი გადატვირთულია. ■ აკუმულატორი ან ხერხი ზედმეტად გაცხელებულია. ■ ხერხის ჯაჭვი გაჭედილია ხეში. 	<ul style="list-style-type: none"> ■ შეამცირეთ დატვირთვა. ■ აცალეთ აკუმულატორს ან ჯაჭვურ ხერხს მუშაობისთვის დადგენილ ტემპერატურამდე გაცივება. ■ ხელი გაუშვით ჩამრთველ ტრიგერს, ამოიღეთ ხერხის ჯაჭვი და ჯაჭვური ხერხი ხიდან და ხელახლა ჩართეთ ხერხი.
ძრავი ირთვება, მაგრამ ჯაჭვი არ მოძრაობს.	<ul style="list-style-type: none"> ■ ჯაჭვი არ ატრიალებს მოძრავ კბილანას. 	<ul style="list-style-type: none"> ■ მოხსენით აკუმულატორი და თავიდან დააყენეთ ჯაჭვი, დარწმუნდით, რომ ჯაჭვის მამოძრავებელი რგოლები სრულიად მორგებულია კბილანას.

KA

პრობლემა	მიზეზი	გადაჭრის გზა
ჯაჭვის მუხრუჭი არ ფუნქციონირებს.	<ul style="list-style-type: none"> ნამსხვრევები ხელს უშლის ხერხის უკუღმის მუხრუჭის სახელურს სრულ გადაადგილებას. შესაძლოა ჯაჭვის მუხრუჭის ფუნქციონირების დარღვევა. 	<ul style="list-style-type: none"> მოაცილეთ უცხო სხეულები ჯაჭვის მუხრუჭის მექანიზმს. დაუყოვნებლივ შეაჩერეთ ჯაჭვური ხერხის გამოყენება! მიმართეთ EGO-ს კლიენტთა მომსახურების ცენტრს შეკეთებისთვის.
ჯაჭვური ხერხი არ ჭრის სათანადოდ.	<ul style="list-style-type: none"> არასაკმარისი ჯაჭვის დაჭიმულობა. ბლაგვი ჯაჭვი. ჯაჭვი უკუღმა არის დაყენებული. გაცვეთილი ჯაჭვი. მშრალი ან ზედმეტად გაჭიმული ჯაჭვი. ჯაჭვი არ არის ძელის სიღრუეში. 	<ul style="list-style-type: none"> დაარეგულირეთ ჯაჭვის დაჭიმულობა, შემდეგი სექციის მიხედვით: „ჯაჭვის დაჭიმვის რეგულირება“. გაღესეთ ჯაჭვი. დაამონტაჟეთ ხერხის ჯაჭვი თავიდან, როგორც აღწერილია ნაწილში „ძელის და ჯაჭვის აწყობის/გამოცვლის წესი“. გამოცვალეთ ჯაჭვი, შემდეგი სექციის მიხედვით: „ძელის და ჯაჭვის აწყობა/გამოცვლა“. შეამოწმეთ ზეთის რაოდენობა. შეავსეთ ზეთის საცავი საჭიროებისდა მიხედვით. ხელახლა დაამონტაჟეთ ჯაჭვი, შემდეგი სექციის მიხედვით: „ძელის და ჯაჭვის აწყობა/გამოცვლა“.
ჯაჭვი მოეშვა ან ვარდება მიმართველი ძლიდან სტანდარტული მოხმარებისას.	<ul style="list-style-type: none"> ჯაჭვი მოეშვება, როდესაც ხერხის ჩვეულებრივი მოხმარებისას ჯაჭვის ტემპერატურა მოიმატებს. ჯაჭვი არ ატრიალებს მოძრავ კბილანას. 	<ul style="list-style-type: none"> დაჭიმეთ ხერხის ჯაჭვი, როგორც აღწერილია ნაწილში „ჯაჭვის დაჭიმვის რეგულირება“. ხელახლა დაამონტაჟეთ ჯაჭვი, შემდეგი სექციის მიხედვით: „ძელის და ჯაჭვის აწყობა/გამოცვლა“.
ძელი და ხერხი ცხელდება და უშვებს კვამლს.	<ul style="list-style-type: none"> შეამოწმეთ ჯაჭვის დაჭიმულობა ზედმეტად დაჭიმულ მდგომარეობაზე. ჯაჭვის ზეთის ავზი ცარიელია. ძელის არხში უცხო სხეულებია. 	<ul style="list-style-type: none"> ხელახლა დაჭიმეთ ხერხის ჯაჭვი, როგორც აღწერილია ნაწილში „ჯაჭვის დაჭიმვის რეგულირება“. შეავსეთ ავზი ძელის და ჯაჭვის საპოხი მასალით. დაადეთ ხერხის ჯაჭვი ხეს, ამომრავეთ ხერხი წინ და უკან უცხო სხეულების მოსაცილებლად.

გარანტია

EGO-ს საგარანტიო პოლიტიკა

გთხოვთ, ეწვიოთ ვებ-გვერდს egopowerplus.eu, და გაეცნოთ EGO-ს საგარანტიო პოლიტიკის წესებს და პირობებს სრულად.

PROČITAJTE SVA UPUTSTVA!



PROČITAJTE PRIRUČNIK ZA RUKOVAOCA

⚠ UPOZORENJE: Da bi se osigurala sigurnost i pouzdanost, sve popravke treba da radi kvalifikovani servisni tehničar.

⚠ UPOZORENJE: Obavezno pročitajte i shvatite sva sigurnosna uputstva u ovom Priručniku za rukovaoca, obuhvatajući i sve simbole sigurnosnih upozorenja poput „**OPASNOST**“, „**UPOZORENJE**“ i „**OPREZ**“ pre korišćenja ovog alata. Nepridržavanje svih dolenađenih uputstava može da dovede do strujnog udara, požara i/ili ozbiljne telesne povrede.

SAČUVAJTE SVA UPOZORENJA I UPUTSTVA ZA BUDUĆU REFERENCJU.

SIGURNOSNI SIMBOLI

⚠ UPOZORENJE: Rukovanje svakom mašinom može da dovede do odbacivanja stranih predmeta u oči, što može da izazove teška oštećenja očiju. Pre započinjanja rada sa električnim alatom, uvek stavite sigurnosne naočare sa bočnim štitnicima ili po potrebi masku za celo lice. Preporučujemo sigurnosnu masku Wide Vision za upotrebu preko naočara ili standardnih sigurnosnih naočara sa bočnim štitnicima.



Sigurnosno upozorenje



Nosite zaštitu za oči



Nosite zaštitu za glavu



Povratni udarac vrha vodilice



Čuvajte se povratnog udarca motorne testere i izbegavajte kontakt sa vrhom vodilice



Garantovani nivo zvučne snage. Emisija buke u okruženju u skladu je sa Direktivom Evropske unije.



Ovaj proizvod je u skladu sa primenjivim EC direktivama.



Jednosmerna struja

mm Milimeter
V Napon



Da bi smanjio rizik od povreda, korisnik pre korišćenja ovog proizvoda mora pročitati i shvatiti priručnik za rukovaoca.



Nosite zaštitu za uši



Nosite zaštitne rukavice



Uvek koristite motornu testeru sa dve ruke



Informacije o vodilici



Otpadne električne proizvode ne bi trebalo odlagati zajedno sa otpadom iz domaćinstva. Odnosite ih u ovlašćeni pogon za reciklažu.



Ovaj proizvod je u skladu sa primenjivim zakonima UK.

IPX4 Zaštita od zapljuskivanja vode

n_0 Brzina bez opterećenja
./min U minuti

SR

236

56 VOLTI LITIJUM-JONSKA BEŽIČNA MOTORNA TESTERA SA GORNJOM DRŠKOM — CS1200E

SPECIFIKACIJE

Nazivna voltaža	56 V	
Maks. Brzina lanca	20 m/s	
Korak lanca	1/4" (6,4 mm)	
Dubina lanca	1,1 mm	
Dužina vodilice	300 mm	
Model lanca testere	AC1204Q (preporučeno)	
	AC1000Q (kompatibilno)	
Model vodilice	AG1000Q (kompatibilno)	
Model kompleta lanca i vodilice testere	AK1204Q (preporučeno)	
Zapremina rezervoara za ulje	150 mL	
Težina (bez baterije, lanca testere, vodilice, bočnog poklopca, ulja i navlake za lanac)	1,9 kg	
Preporučena radna temperatura	Od -15 do +40 °C	
Preporučena temperatura skladištenja	Od -20 do +70 °C	
Preporučena temperatura punjenja	Od +5 do +40 °C	
Izmereni nivo zvučne snage L_{WA}	97 dB(A) K=3,6 dB(A)	
Nivo zvučnog pritiska na mestu rada L_{PA}	89 dB(A) K=3 dB(A)	
Garantovan nivo jačine zvuka L_{WA} (prema 2000/14/EC)	101 dB(A)	
Vibracije a_n	Prednja drška	2,64 m/s ² K=1,5 m/s ²
	Zadnja drška	2,05 m/s ² K=1,5 m/s ²

- Deklarisana ukupna vrednost vibracije je izmerena u skladu sa standardnim metodom testiranja i može se koristiti za upoređivanje jednog alata sa drugim;
- Deklarisana ukupna vrednost vibracije može se koristiti i u preliminarnoj proceni izlaganja.

OBAVEŠTENJE: Emisija vibracija tokom stvarne upotrebe električnog alata može da se razlikuje od deklarisane vrednosti u kojoj se alat koristi. Da bi se rukovalac zaštitio, korisnik bi trebalo da nosi rukavice i štitnike za uši u stvarnim uslovima korišćenja.

POPIS PAKOVANJA (SLIKA A1)

OPIS

UPOZNAJTE SVOJU MOTORNU TESTERU (slika A1)

1. Vodilica
2. Lanac
3. Lopatica kočnice povratnog udara lanca
4. Zadnja drška
5. Prednja drška
6. Prozor za inspekciju ulja
7. Poklopac rezervoara za ulje
8. Jezičak za zaključavanje
9. Okidač
10. Dugme za oslobađanje baterije
11. Bočni poklopac
12. Navrtanj vodilice
13. Vijak za zatezanje
14. Rupica za podmazivanje
15. Navlaka za lanac
16. Vešalica za uzicu
17. Kombinovani ključ

SKLAPANJE

SKLAPANJE/ZAMENJIVANJE VODILICE I LANCA

⚠ UPOZORENJE: Pre vršenja bilo kakvog sklapanja ili održavanja, osigurajte da akumulator bude izvađen. Nepridržavanje ovog upozorenja bi moglo da rezultuje ozbiljnom telesnom povredom.

⚠ UPOZORENJE: Podesite lopaticu kočnice povratnog udara lanca u zakočeni položaj pre sklapanja.

⚠ UPOZORENJE: Uvek nosite rukavice kad rukujete vodilicom i lancem; ove komponente su oštre i mogu da imaju grube ivice.

1. Postavite pogonsku glavu motorne testere na bočnu stranu, sa bočnim poklopcem okrenutim nagore (slika B).
2. Skinite bočni poklopac tako što ćete okrenuti maticu vodilice suprotno kazaljki na satu.
3. Okrenite vijak za zatezanje suprotno kazaljki na satu da biste olabavili zategnutost lanca.
4. Položite lanac testere u petlju na ravnu površinu i izravnajte sve vijuge (slika C).
5. Stavite pogonske alke lanca u žleb na vodilici i

napravite petlju od lanca na zadnjoj strani vodilice (slika D).

- Držite lanac na njegovom mestu na vodilici i stavite petlju oko lančanika na testeri (slika E1).

D-1	Pogonska alka lanca	E-2	Prirubnice za poravnane
D-2	Žleb vodilice	E-3	Igla za zatezanje
E-1	Pogonski lančanik	E-4	Vijak za pričvršćivanje

OPREZ: Kad pravite petlju lanca testere na vodilici, vodite računa da, nakon montiranja vodilice na testeru, uparite orijentaciju sekača sa ikonicom sekača i strelicom za smer rotacije na kućištu testere (slika E1). Ako su okrenuti u suprotnim smerovima, ponovo sklopite lanac testere na vodilicu tako da sekači budu okrenuti u istom smeru (slika E2).

- Postavite vodilicu na montažnu površinu tako što ćete gurnuti preoz vodilice preko prirubnica za poravnane. Vodite računa da vodilica bude pravilno postavljena preko zavrtnja za pričvršćivanje i igle za zatezanje.
- Vratite bočni poklopac na kućište motorne testere (slika E3) i potpuno zategnite maticu vodilice.

OPREZ: Tokom sklapanja i održavanja, metalna ploča ispod vodilice (slika F) može da iskoči. Ako se to dogodi, temeljno očistite prostor između tog komada metala i kućišta pa gurnite metalnu ploču nazad tako da bude u ravni sa kućištem. Ako ne budete očistili i pravilno postavili metalnu ploču, to će izazvati nepravilno poravnane vodilice.

- Okrenite lanac rukom da biste proverili da li je lanac pravilno sklopljen bez zaglavljivanja. U suprotnom, ponovo sklopote lanac i vodilicu.

OPREZ: Da biste proizuili radni vek vodilice, povremeno je obrnite.

PODEŠAVANJE ZATEGNETOSTI LANCA

- Zaustavite motor i izvadite bateriju pre podešavanja zategnutosti lanca. Okrenite vijak za zatezanje u smeru kazaljke na satu ili suprotno kazaljki na satu da biste podesili zategnutost lanca (slika F) sve dok lanac ne bude tesno stajao uz vodilicu sa pogonskim alkama u žlebu vodilice.
- Hladan lanac je pravilno zategnut kad nema labavosti na donjem delu vodilice a lanac je tesan ali se može okrenuti rukom bez zapinjania. Lanac se mora ponovo zategnuti kad god ravni delovi pogonskih alki ne stoje u

žlebu vodilice.

- Tokom normalnog rukovanja testerom, temperatura lanca će se povećati. Pogonske alke pravilno zategnutog zagrejanog lanca će visiti približno 1-2 mm izvan žleba vodilice (slika G).

OPREZ: Novi lanci imaju tendenciju rastezanja; često proveravajte zategnutost lanca i zatežite ga po potrebi.

OPREZ: Lanac koji zatežete dok je zagrejan može da bude suviše zategnut kad se ohladi. Proverite hladnu zategnutost pre sledeće upotrebe.

UKOVANJE

OPREZ: Ne dozvolite da zbog poznavanja ovog proizvoda postanete nemarni. Zapamtite da je delić sekunde nepažnje dovoljan da nanese ozbiljnu povredu.

OPREZ: Ne koristite nikakve dodatke ili pribor koje nije preporučio proizuđač ovog proizvoda. Upotreba dodataka ili pribora koji nisu preporučeni može da dovede do ozbiljne telesne povrede.

OPREZ: Da biste sprečili nehotično pokretanje koje bi moglo izazvati ozbiljne telesne povrede, uvek uklonite bateriju iz alata kada sklapate delove, podešavate, čistite ili kad ga ne koristite.

Pre svake upotrebe pregledajte čitav proizvod radi oštećenih, nedostajućih ili labavih delova poput vijaka, navrtnja, zavrtnja, kapica itd. Čvrsto zategnite sve spojeve i kapice i ne rukujte ovih proizvodom dok svi nedostajući ili oštećeni delovi ne budu zamenjeni.

PRIMENE

Možete da koristite ovaj proizvod za osnovne primene sečenja u krošnji.

OPREZ: Ne rukujte ovom motorom testerom kad ste na drvetu, osim ako niste specifično kvalifikovani za to. Rukovanje motorom testerom kad ste na drvetu bez odgovarajuće obuke bi moglo da poveća rizik od ozbiljne telesne povrede.

OPREZ: Mašinu treba koristiti samo za propisanu svrhu. Svaka druga upotreba smatra se slučajem zloupotrebe.

SIPANJE MAZIVA ZA VODILICU I LANAC

OPREZ: Nemojte pušiti ili približavati plamen ulju ili motornoj testeri. Ulje se može prosuti i izazvati požar.

OPREZ: U motornoj testeri nema ulja u vreme

kupovine. Suštinski je važno napuniti rezervoar uljem pre upotrebe. Lanac se automatski podmazuje uljem za lanac tokom rada, ako ima dovoljno ulja u rezervoaru za ulje.

1. Postavite motornu testeru na stranu, sa kapicom rezervoara okrenutom nagore.
2. Očistite kapicu rezervoara za ulje i oblast oko nje da biste osigurali da nikakva prljavština ne upadne u rezervoar za ulje.
3. Podignite polukružnu ploču i okrenite kapicu rezervoara za ulje suprotno kazaljki na satu da biste je skinuli (slika H).
4. Pažljivo sipajte ulje za vodilicu i lanac u rezervoar. Napunite do donjeg dela grlića.
5. Obrišite eventualni višak ulja i vratite poklopac.

OBAVEŠTENJE: Često proveravajte nivo ulja i dopunite kad nivo ulja padne ispod linije minimuma. Nikad ne rukujte motornom testerom ako ulje nije vidljivo.

KORIŠĆENJE UŠICE ZA UZICU (slika H)

⚠ UPOZORENJE: Uvek pokrijte lanac testere i vodilicu navlakom za lanac kad kačite motornu testeru na pojas za alat. Lanac testere je oštar i može da izazove ozbiljne povrede.

⚠ UPOZORENJE: Vodite računa da uzica bude dovoljno jaka da podrži ukupnu težinu motorne testere i akumulatora. Ozbiljne povrede i imovinska šteta bi mogli da rezultuju ako motorna testera padne.

SPAJANJE/ODVAJANJE BATERIJE

Upotrebljavajte samo kompletne baterija i punjače proizvođača EGO navedene na slika A2.

Potpuno napunite pre prve upotrebe.

Za spajanje

Poravnajte rebra baterije sa prorezima za montiranje i pritisnite bateriju nadole dok ne čujete „škljoc“ (slika I).

Za odvajanje

Pritisnite dugme za oslobađanje baterije i izvucite bateriju (slika J).

⚠ UPOZORENJE: Da biste održali udobnu ravnotežu tokom sečenja, koristite samo sa akumulatorom BA1400/BA1400T.

POKRETANJE/ZAUSTAVLJANJE MOTORNE TESTERE

OBAVEŠTENJE: Pre pokretanja motorne testere, proverite nivo ulja, zategnutost lanca, oštrinu zuba testere i pravilno funkcionisanje lopatice kočnice povratnog udarca. Osim toga, potrebno je i uravnoteženo uporište i pravilna

udaljenost od tla.

Za pokretanje (slika K)

1. Povucite lopaticu kočnice povratnog udarca lanca prema prednjoj drški, u radni položaj (slika K).
2. Čvrsto uhvatite prednju dršku **levom** rukom a zadnju dršku **desnom** rukom.

⚠ UPOZORENJE: Da biste izbegli povrede, uvek koristite motornu testeru tako što ćete desnom rukom držati područje za hvatanje na zadnjoj drški (slika L).

3. Pomerite jezičak za zaključavanje napred, a zatim pritisnite okidač da biste startovali testeru (slika L).

L-1	Područje za hvatanje
-----	----------------------

4. Pustite jezičak za zaključavanje i nastavite da pritisćate okidač za neprekidni rad.
5. Što je okidač pritisnut dalje, to je brzina lanca veća. Podesite brzinu tako da odgovara poslu koji obavljate.

⚠ UPOZORENJE: Ne pokušavajte da pokrenete testeru kad je lanac u rezu.

Za zaustavljanje

1. Odmaknite motornu testeru dalje od oblasti sečenja a zatim pustite okidač da biste zaustavili motornu testeru.
2. Gurnite lopaticu kočnice povratnog udarca lanca unapred u položaj kočenja da biste aktivirali kočnicu lanca (slika K).

⚠ UPOZORENJE: Uvek izvadite bateriju iz mašine tokom pauza u radu i posle završetka rada.

PRAVILAN HVAT NA DRŠKAMA (slika M)

- Nosite rukavice koje se ne kliču zbog maksimalnog hvata i zaštite.
- Dok je testera na čvrstoj, ravnoj površini, uhvatite je čvrsto sa obe ruke.
- Uvek hvatajte prednju dršku levom rukom a zadnju dršku desnom rukom.
- Prsti treba da obuhvate dršku a palac da se savije ispod prednje drške.

⚠ UPOZORENJE: Nikad ne koristite levoruki (ukršteni) hvat ili bilo koji stav koji bi postavio vaše telo ili ruku preko linije lanca.

⚠ UPOZORENJE: Ne rukujte okidačem pomoću leve ruke dok desnom rukom držite prednju dršku. Nikad ne dozvolite da vam bilo koji deo tela bude u liniji lanca dok rukujete motornom testerom (slika N).

PRAVILAN STAV ZA SEČENJE (slika O)

- Oba stopala treba da budu na čvrstom tlu, sa težinom ravnomerno raspoređenom na oba stopala.
- Leva ruka treba da bude ispružena a levi lakat ukočen. To pomaže da se oduprete silama koje stvara povratni udarac.
- Vaše telo uvek treba da bude sa leve strane linije lanca.

UOBIČAJENE TEHNIKE SEČENJA

⚠ UPOZORENJE: Uvek imajte sigurno uporište i čvrsto držite motornu testeru sa obe ruke dok motor radi.

⚠ UPOZORENJE: Kad se lanac zaustavi zbog ukleštenja tokom sečenja, pustite okidač, izvadite lanac i vodilicu iz drveta, a zatim ponovo pokrenite motornu testeru.

⚠ UPOZORENJE: Ne vucite lanac rukom kad se zaglavi zbog piljevine. Može doći do ozbiljnih povreda ako se motorna testera nehотиčno pokrene. Pritisnite lanac na drvo i pomerajte motornu testeru unapred i unazad da biste uklonili prljavštinu. Uvek izvadite bateriju pre čišćenja. Nosite debele zaštitne rukavice kad rukujete lancem.

⚠ UPOZORENJE: Nikad ne pokrećite testeru kad je u kontaktu sa drveto. Uvek pustite da motorna testera dosegne punu brzinu pre no što je prinesete drvetu.

⚠ UPOZORENJE: Ova motorna testera sa gornjom drškom nije predviđena da se koristi na tlu, stoga ovaj priručnik ne sadrži uputstva za obaranje drveća, sečenje grana i sečenje na komade.

⚠ UPOZORENJE: Ova uputstva za rad u krošnji se odnose na ovu motornu testeru sa gornjom drškom, dizajniranu isključivo za primene sečenja u krošnji od strane sertifikovanih stručnjaka za drveće koji su specifično kvalifikovani za to.

⚠ UPOZORENJE: Blokovanje može da rezultuje povredom. To treba da radi samo kvalifikovano lice.

⚠ UPOZORENJE: Neiskusni korisnici treba da vežbaju sečenje trupaca na nogarima.

⚠ UPOZORENJE: Ne radite u krošnjama u uslovima jakog vetra.

⚠ UPOZORENJE: Osigurajte da svi posmatrači budu dalje od područja pada pre startovanja operacije.

⚠ UPOZORENJE: Uvek držite sebe i opremu dalje od materijala koji uklanjate.

⚠ OPREZ: Budite sigurni da je baterija potpuno napunjena pre rada u krošnji.

Orezivanje (slika P)

Pratite korake ispod da biste sprečili oštećenje kore drveta ili žbuna. Ne koristite pokret testerisanja napred-nazad.

1. Napravite plitak prvi rez (1/3 prečnika grane) na donjoj strani grane, blizu glavnoj grani ili stablu.
2. Napravite drugi rez sa gornje strane grane, prema spoljašnjosti u odnosu na prvi rez. Nastavite rez kroz granu dok se grana ne odvoji od drveta. Budite spremni da uravnotežite težinu alata i osigurajte da ste dalje od njega pre dovršavanja reza.
3. Napravite završni rez blizu stabla.

Blokovanje

Pre blokovanja uklonite labavu koru, eksere, staplere i žicu sa drveta gde treba da napravite rezove blokovanja.

Pravljenje donjeg ureza

Napravite urez od 1/4 prečnika drveta, upravno na smer pada, kako je prikazano na slici Q. Prvo napravite donji horizontalni rez. To će vam pomoći da izbegnete ukleštenje lanca ili vodilice kad budete pravili drugi rez.

Q-1	Smer pada	Q-3	Zadnji urez
Q-2	Urez	Q-4	Zglob

Zadnji urez

- Napravite zadnji urez na istoj visini kao horizontalni donji urez, kako je prikazano na slici Q. Držite zadnji urez paralelnim sa horizontalnim donjim urezom. Napravite zadnji urez tako da ostane dovoljno drveta koje će se ponašati kao zglob. Zglob sprečava vrtanje drveta i padanje u pogrešnom smeru. Ne secite kroz zglob.
- Kako se zadnji urez približava zglobu, drvo bi trebalo da počne da pada. Ako postoji ikakva šansa da drvo neće pasti u željenom smeru ili da će se zaljuljati unazad i pritisnuti lanac testere, prekinite sečenje pre nego što pravljenje zadnjeg ureza bude završeno i koristite klinove od drveta, plastike ili aluminijuma za otvaranje reza i obaranje drveta u željenoj liniji pada.
- Kad blok drveta počne da pada, izvadite motornu testeru iz reza, zaustavite motor i aktivirajte kočnicu lanca. Pazite na grane koje padaju odgore i gledajte gde stajete.

ODRŽAVANJE

⚠ UPOZORENJE: Kada obavljate radove servisiranja, upotrebljavajte samo identične zamenske delove. Upotreba bilo kakvih drugih delova može da dovede do opasnosti ili da izazove oštećenje proizvoda. Da bi se osigurala

sigurnost i pouzdanost, sve popravke treba da radi kvalifikovani servisni tehničar.

⚠ UPOZORENJE: Da biste izbegli ozbiljne telesne povrede, uvek izvadite bateriju iz proizvoda pre pregledanja, čišćenja ili održavanja. Alat na baterije u koji je stavljena baterija je uvek uključen i može nehotično da se pokrene.

⚠ UPOZORENJE: Kad čistite motornu testeru, NE potapajte je u vodu ili druge tečnosti.

⚠ UPOZORENJE: Ni u jednom trenutku ne dozvolite da koćiona tečnost, benzin, proizvodi na bazi petroleja, penetraciono ulje itd. dođu u kontakt sa plastičnim delovima. Hemikalije mogu da oštete, oslabe ili unište plastiku, što može da dovede do ozbiljne telesne povrede.

ČIŠĆENJE

- Nakon svake upotrebe, očistite prijavštinu sa lanca i vodilice pomoću meke četke. Obrišite površinu motorne testere čistom krpom navlaženom rastvorom blagog sapuna.
- Skinite bočni poklopac a zatim mekom četkom uklonite prijavštinu sa vodilice, lanca, lančanika i bočnog poklopcu.
- Uvek očistite iverje, piljevinu i zemlju iz žleba vodilice kad zamenjujete lanac.

ODRŽAVANJE VODILICE

Kad vodilica pokaže znake habanja, rasklopite je sa pogonske glave motorne testere i obrnite je radi ponovnog sklapanja (slika R1). Na taj način će habanje biti raspoređeno da bi se povećao radni vek vodilice.

Vodilicu treba čistiti svakog dana upotrebe i proveravati da li je pohabana i oštećena. Krivljenje ili deformisanje šina vodilice je normalan proces habanja vodilice. Takve nedostatke treba izravnati turpijom čim se pojave. Vodilicu sa bilo kojim od sledećih nedostataka treba zameniti.

- Habanje unutar šina vodilice koje omogućava lancu da leži bočno.
- Savijena vodilica.
- Napukle ili polomljene šine.
- Raširene šine.

Pored toga, vodilica ima lančanik na vrhu (slika R2). Lančanik se mora svake nedelje podmazivati špricom za mazivo da bi se produžio radni vek vodilice. Koristite špic za mazivo da biste svake nedelje uljem za lanac podmazali kroz rupicu za podmazivanje (slika R3). Okrenite vodilicu i proverite da li u rupicama za podmazivanje i žlebu lanca ima nečistoća.

R-1	Lančanik u vrhu vodilice
R-2	Rupica za podmazivanje

TRANSPORTOVANJE I SKLADIŠTENJE

- Ne skladištite ili transportujte motornu testeru dok radi. Uvek izvadite bateriju pre skladištenja ili transportovanja.
- Uvek stavite navlaku za lanac na vodilicu i lanac pre skladištenja ili transportovanja motorne testere. Budite oprezni da biste izbegli oštre zube lanca.
- Proizvod uvek nosite za prednju dršku.
- Zaštitite proizvod od težih udara ili jakih vibracija koje se mogu dogoditi tokom transporta u vozilima.
- Temeljno očistite motornu testeru i ispraznite rezervoar za ulje pre skladištenja. Skladištite motornu testeru u zatvorenom prostoru, na suvom mestu koje je zaključano i/ili nije dostupno deci.
- Držite dalje od korozivnih sredstava poput baštenskih hemikalija i soli za odmrzavanje.

ZAŠTITA ŽIVOTNE SREDINE



Ne odlažite električnu opremu, potrošene baterije i punjače u kućni otpad!

Ondesite ovaj proizvod u ovlašćeni pogon za reciklažu ili ga odvojite od ostalog smeća radi zasebnog prikupljanja. Električni alati moraju se odneti u ekološki prihvatljiv pogon za reciklažu.

REŠAVANJE PROBLEMA

⚠ UPOZORENJE: Uvek zaštitite ruke tako što ćete nositi debele rukavice kad radite bilo kakvo održavanje na lancu. Uvek izvadite bateriju kad servisirate ili transportujete motornu testeru.

PROBLEM	UZROK	REŠENJE
Motor ne radi.	<ul style="list-style-type: none"> ■ Baterija nije spojena na motornu testeru. ■ Nema električnog kontakta između testere i baterije. ■ Punjenje baterije je potrošeno. ■ Baterija ili motorna testera su prevrući. ■ Jezičak za zaključavanje nije pritisnut pre pritiskanja okidača. ■ Kočnica lanca je aktivirana. ■ Lanac testere je zaglavljen u drvetu. ■ Prljavština u žlebu vodilice. ■ Prljavština u bočnom poklopcu. ■ Koristi se akumulator od 4,0 Ah ili više Ah. 	<ul style="list-style-type: none"> ■ Spojite bateriju na motornu testeru. ■ Izvadite bateriju, proverite kontakte i ponovo instalirajte bateriju. ■ Napunite bateriju. ■ Ostavite bateriju ili motornu testeru da se hlade dok temperatura ne padne u preporučeni opseg radne temperature. ■ Pritisnite nadole jezičak za zaključavanje i držite ga, zatim pritisnite okidač da biste uključili motornu testeru. ■ Povucite lopaticu kočnice povratnog udarca lanca unazad prema prednjoj drški, u radni položaj. ■ Pustite okidač, izvadite lanac i vodilicu iz drveta, a zatim ponovo pokrenite motornu testeru. ■ Pritisnite lanac na drvo i pomerajte motornu testeru unapred i unazad da biste uklonili prljavštinu. ■ Izvadite bateriju a zatim skinite bočni poklopac i očistite prljavštinu. ■ Koristite samo sa EGO 2,5 Ah akumulatorima BA1400 i BA1400T.
Motorna testera neočekivano stopira tokom rukovanja.	<ul style="list-style-type: none"> ■ Motorna testera je preopterećena. ■ Baterija ili motorna testera su prevrući. ■ Lanac testere je zaglavljen u drvetu. 	<ul style="list-style-type: none"> ■ Smanjite opterećenje. ■ Ostavite bateriju ili motornu testeru da se hlade dok temperatura ne padne u preporučeni opseg radne temperature. ■ Pustite okidač, izvadite lanac i vodilicu iz drveta, a zatim ponovo pokrenite motornu testeru.
Motor radi ali lanac se ne okreće.	<ul style="list-style-type: none"> ■ Lanac ne dodiruje pogonski lančanik. 	<ul style="list-style-type: none"> ■ Izvadite bateriju i ponovo instalirajte lanac, vodeći računa da pogonske alke na njemu budu potpuno postavljene na lančanik.
Kočnica lanca se ne aktivira.	<ul style="list-style-type: none"> ■ Prljavština sprečava potpuno kretanje lopatice kočnice povratnog udarca lanca. ■ Moguć kvar kočnice lanca. 	<ul style="list-style-type: none"> ■ Očistite prljavštinu sa spoljašnjeg mehanizma kočnice lanca. ■ Odmah prestanite da koristite motornu testeru! Obratite se EGO korisničkoj službi za popravku.

PROBLEM	UZROK	REŠENJE
Motorna testera ne seče pravilno.	<ul style="list-style-type: none"> ■ Nedovoljna zategnutost lanca. ■ Tup lanac. ■ Lanac instaliran unazad. ■ Pohaban lanac. ■ Suv ili prekomerno rastegnut lanac. ■ Lanac nije u žlebu vodilice. 	<ul style="list-style-type: none"> ■ Ponovo podesite zategnutost lanca, prateći odeljak: „PODEŠAVANJE ZATEGNUTOSTI LANCA“. ■ Naoštrite lanac. ■ Ponovo instalirajte lanac testere, prateći odeljak „SKLAPANJE/ZAMENJIVANJE VODILICE I LANCA“. ■ Zamenite lanac, prateći odeljak: „SKLAPANJE/ZAMENJIVANJE VODILICE I LANCA“. ■ Proverite nivo ulja. Dopunite rezervoar za ulje ako je neophodno. ■ Ponovo instalirajte lanac, prateći odeljak: „SKLAPANJE/ZAMENJIVANJE VODILICE I LANCA“.
Lanac se olabavljuje ili spada sa vodilice tokom normalne upotrebe.	<ul style="list-style-type: none"> ■ Lanac će se olabaviti kako se temperatura lanca povećava tokom normalnog rukovanja testerom. ■ Lanac ne dodiruje pogonski lančanik. 	<ul style="list-style-type: none"> ■ Povećajte zategnutost lanca prateći odeljak „PODEŠAVANJE ZATEGNUTOSTI LANCA“. ■ Ponovo instalirajte lanac, prateći odeljak: „SKLAPANJE/ZAMENJIVANJE VODILICE I LANCA“.
Vodilica i lanac se zagrevaju i dime.	<ul style="list-style-type: none"> ■ Proverite da li je lanac suviše zategnut. ■ Rezervoar ulja za lanac je prazan. ■ Prijavština u žlebu vodilice. 	<ul style="list-style-type: none"> ■ Ponovo zategnite lanac testere prateći odeljak „PODEŠAVANJE ZATEGNUTOSTI LANCA“. ■ Napunite rezervoar lubrikantom za vodilicu i lanac. ■ Pritisnite lanac na drvo i pomerajte motornu testeru unapred i unazad da biste uklonili prijavštinu.

GARANCIJA

EGO POLITIKA GARANCIJE

Posetite veb-lokaciju egopowerplus.eu za potpune uslove i odredbe EGO politike garancije.

PROČITAJTE UPUTSTVO U CIJELOSTI!



PROČITAJTE KORISNIČKI PRIRUČNIK

⚠ UPOZORENJE! Radi osiguranja sigurnosti i pouzdanosti, sve popravke treba obavljati kvalifikovani servisni tehničar.

⚠ UPOZORENJE! Prije upotrebe ovog alata pobrinite se da sva sigurnosna uputstva u ovom korisničkom priručniku, uključujući sve sigurnosne simbole kao što su "OPASNOST", "UPOZORENJE" i "OPREZ" pročitate s razumijevanjem. Zanemarivanje svih uputstava navedenih u nastavku može rezultirati strujnim udarom, požarom i/ili teškim tjelesnim povredama.

SAČUVAJTE SVA UPOZORENJA I UPUTSTVA ZA BUDUĆE POTREBE.

SIGURNOSNI SIMBOLI

⚠ UPOZORENJE! Rukovanje mašinom može rezultirati odbacivanjem stranih predmeta u oči, što opet može izazvati teška oštećenja očiju. Prije početka rukovanja električnim alatom, uvijek nosite zatvorene zaštitne naočale ili zaštitne naočale s bočnim štitnicima, a prema potrebi i štitnik za cijelo lice. Preporučujemo nošenje sigurnosne maske proizvođača Wide Vision preko naočala ili nošenje standardnih zaštitnih naočala s bočnim štitnicima.



Simbol upozorenja



Nosite zaštitu za oči



Nosite zaštitu za glavu



Povratni udar na vrhu vodilice



Pazite na povratni udar lančane pile i izbjegavajte kontakt s vrhom vodilice



Zagarantovani nivo zvučne snage. Emisija buke u okruženju u skladu je s Direktivom Evropske unije.



Ovaj proizvod je u skladu s primjenjivim direktivama EU.



Istosmjerna struja

mm Milimetar

V Napon



Radi smanjenja rizika od povreda, prije upotrebe ovog proizvoda korisnik treba s razumijevanjem pročitati ovaj korisnički priručnik.



Nosite zaštitu za sluh



Nosite zaštitne rukavice



Lančanu pilu uvijek upotrebljavajte s dvjema rukama



Informacije o vodilici



Otpadni električni proizvodi ne smiju se odlagati s otpadom iz domaćinstva. Odnosite ih u ovlaštenu centar za reciklažu.



Ovaj proizvod je u skladu s važećim zakonodavstvom Velike Britanije.

IPX4 Zaštita od prskajuće vode

n_0 Brzina vrtnje bez opterećenja

./min. U minuti

TEHNIČKI PODACI

Nazivni napon	56 V	
Maks. brzina lanca	20 m/s	
Korak lanca	6,4 mm (1/4")	
Veličina karike lanca	1,1 mm	
Dužina vodilice	300 mm	
Model lanca pile	AC1204Q (preporučeno)	
	AC1000Q (kompatibilno)	
Model vodilice	AG1000Q (kompatibilno)	
Model kompleta lanca i vodilice pile	AK1204Q (preporučeno)	
Zapremina spremnika ulja za lanac	150 ml	
Masa (bez kompleta baterija, lanca pile, vodilice, bočnog poklopca, ulja i zaštitne navlake za lanac)	1,9 kg	
Preporučena radna temperatura	-15°C – 40°C	
Preporučena temperatura skladištenja	-20°C – 70°C	
Preporučena temperatura punjenja	5°C – 40°C	
Izmjereni nivo zvučne snage L_{WA}	97 dB(A) K = 3,6 dB(A)	
Nivo zvučnog pritiska u radnom položaju L_{PA}	89 dB(A) K = 3 dB(A)	
Zagarantovani nivo zvučne snage L_{WA} (u skladu s Direktivom 2000/14/EZ)	101 dB(A)	
Vibracije a_h	Prednji rukohvat	2,64 m/s ² K = 1,5 m/s ²
	Stražnji rukohvat	2,05 m/s ² K = 1,5 m/s ²

- Deklarisane ukupne vrijednosti vibracija izmjerene su u skladu sa standardnom metodom ispitivanja i mogu se primjenjivati za poređenje jednog alata s drugim.
- Deklarisane ukupne vrijednosti vibracija mogu se primjenjivati i u preliminarnoj procjeni izloženosti.

NAPOMENA! Emisija vibracija tokom aktualne upotrebe električnog alata može se razlikovati od deklarirane vrijednosti u kojoj se alat upotrebljavao; korisnik radi zaštite treba nositi rukavice i štitičke za uši u aktualnim uslovima upotrebe.

SADRŽAJ PAKOVANJA (SL. A1)

OPIS

UPOZNAJTE SVOJU LANČANU PILU (sl. A1)

1. Vodilica
2. Lanac pile
3. Ručica kočnice lanca za povratni udar
4. Stražnji rukohvat
5. Prednji rukohvat
6. Kontrolno okno za ulje
7. Čep spremnika za ulje
8. Jezičak za blokadu
9. Okidni prekidač
10. Dugme za oslobađanje baterije
11. Bočni poklopac
12. Matica vodilice
13. Vijak za zatezanje lanca
14. Otvor za podmazivanje
15. Zaštitna navlaka za lanac
16. Vješalica za traku
17. Kombinovani ključ

SASTAVLJANJE

POSTAVLJANJE/ZAMJENA VODILICE I LANCA

⚠ UPOZORENJE! Prije obavljanja svih radova sastavljanja ili održavanja uvjerite se da je komplet baterija uklonjen. Zanemarivanje ovog upozorenja može rezultirati teškim tjelesnim povredama.

⚠ UPOZORENJE! Prije sastavljanja namjestite ručicu kočnice lanca za povratni udar u položaj kočenja.

⚠ UPOZORENJE! Kada rukujete vodilicom i lancem, uvijek nosite rukavice. Te komponente su oštre i mogu imati neravnine.

1. Pozicionirajte pogonsku glavu lančane pile na njezinoj strani s bočnim poklopcem okrenutim prema gore (sl. B).
2. Okrenite maticu vodilice u smjeru suprotnom smjeru kretanja kazaljki na satu i uklonite bočni poklopac.
3. Okrenite vijak za zatezanje lanca u smjeru suprotnom smjeru kretanja kazaljki na satu da otpustite zategnutost lanca.
4. Položite lanac pile u omći na ravnu površinu i ispravite eventualne pregibe (sl. C).

BS

5. Stavite pogonske karike lanca u žlijeb vodilice tako da se na stražnjoj strani vodilice napravi omča (sl. D).
6. Držite lanac u položaju na vodilici i stavite omču oko lančanika pile (sl. E1).

D-1	Pogonska karika lanca	E-2	Prirubnica za poravnane
D-2	Žlijeb vodilice	E-3	Klin za zatezanje
E-1	Pogonski lančanik	E-4	Matični vijak za pričvršćivanje

NAPOMENA! Kada postavljate lanac pile na vodilicu, vodite računa da se nakon postavljanja vodilice na pilu smjer rezača podudara s ikonom rezača i strelicom smjera rotacije na kućištu pile (sl. E1). Ako su usmjereni u suprotnim smjerovima, ponovo postavite lanac pile na vodilicu tako da rezači budu usmjereni u istom smjeru (sl. E2).

7. Postavite vodilicu na montažnu površinu povlačenjem utora vodilice preko prirubnica za poravnane. Provjerite je li vodilica pravilno postavljena na matični vijak za pričvršćivanje i klin za zatezanje.
8. Ponovo stavite bočni poklopac na kućište lančane pile (sl. E3) i potpuno pritegnite maticu vodilice.

NAPOMENA! Tokom radova sastavljanja i održavanja, metalna ploča ispod vodilice (sl. F) može iskočiti. Ako se to dogodi, dobro očistite razmak između ovog metalnog dijela i kućišta i gurnite metalnu ploču nazad tako da bude u **ravni s kućištem**. Ako se metalna ploča ne očisti i pravilno ne postavi, vodilica će biti pogrešno poravnata.

9. Okrenite lanac rukom da provjerite je li pravilno postavljen bez zastoja. U suprotnom ponovo postavite lanac i vodilicu.

NAPOMENA! Vodilicu povremeno okrenite radi produženja njenog radnog vijeka.

PODEŠAVANJE ZATEGNETOSTI LANCA

- Prije podešavanja zategnutosti lanca zaustavite motor i izvadite komplet baterija. Okrenite vijak za zatezanje lanca u smjeru kretanja kazaljki na satu ili u smjeru suprotnom smjeru kretanja kazaljki na satu da podesite zategnutost lanca (sl. F) tako da lanac čvrsto nalegne uz vodilicu s pogonskim karikama u žlijebu vodilice.
- Hladan lanac je ispravno zategnut kada nema progiba na donjoj strani vodilice i kada lanac naliježe uz mogućnost ručnog okretanja bez zastoja. Lanac je potrebno ponovo zategnuti kada zaravnjene površine

na pogonskim karikama ne uliježu u žlijeb vodilice.

- Temperatura lanca povisuje se tokom normalnog rada pile. Pogonske karike ispravno zategnutog toplog lanca visit će oko 1–2 mm iz žlijeba vodilice (sl. G).

NAPOMENA! Novi lanci imaju tendenciju rastezanja. Često provjeravajte zategnutost lanca i prema potrebi ga zategnite.

NAPOMENA! Lanac zategnut u toplom stanju može biti previše zategnut nakon hlađenja. Prije sljedeće upotrebe povjerite zategnutost hladnog lanca.

RAD

⚠ UPOZORENJE! Nemojte dozvoliti da vas poznavanje ovog proizvoda učini nepažljivim. Imajte na umu da je za nanošenje teških povreda dovoljan samo djelić sekunde nepažnje.

⚠ UPOZORENJE! Nemojte upotrebljavati priključke ili pribor koje nije preporučio proizvođač ovog proizvoda. Upotreba nepreporučenih priključaka ili pribora može rezultirati teškim tjelesnim povredama.

⚠ UPOZORENJE! Radi sprečavanja iznenadnog pokretanja koje može uzrokovati teške tjelesne povrede, uvijek izvadite komplet baterija iz alata kada postavljate dijelove, obavljate radove podešavanja, čišćenja ili kada ne upotrebljavate alat.

Prije svake upotrebe pregledajte cijeli proizvod i provjerite ima li oštećenih dijelova, dijelova koji nedostaju ili otpuštenih dijelova, kao što su vijci, matice, osovinice, kapice, itd. Čvrsto pritegnite sve pričvrstne elemente i kapice i nemojte upotrebljavati ovaj proizvod dok se ne zamijene svi dijelovi koji nedostaju ili koji su oštećeni.

PRIMJENE

Ovaj proizvod možete upotrebljavati za osnovne primjene rezanja stabala.

⚠ UPOZORENJE! Ovu lančanu pilu nemojte upotrebljavati na drvetu osim ako za to niste posebno obučeni. Rukovanje lančanom pilom na drvetu bez odgovarajuće obuke može povećati rizik od teških tjelesnih povreda.

NAPOMENA! Mašina se smije upotrebljavati samo za prethodno opisane namjene. Svaka druga upotreba smatra se nepropisnom upotrebom.

DOPUNA MAZIVA ZA VODILICU I LANAC

⚠ UPOZORENJE! Nemojte pušiti ili upotrebljavati vatru ili plamen u blizini ulja ili lančane pile. Ulje može iscuriti i izazvati požar.

NAPOMENA! Lančana pila nije napunjena uljem u vrijeme kupovine. Prije upotrebe važno je da se spremnik napuni uljem. Tokom rada lanac se automatski podmazuje uljem za lanac ako u spremniku za ulje ima dovoljno ulja.

1. Postavite lančanu pilu na bočnu stranu tako da čep spremnika bude okrenut prema gore.
2. Očistite čep spremnika ulja i okolno područje kako biste osigurali da u spremnik ulja ne upada nečistoća.
3. Podignite polukružnu ploču i čep spremnika ulja okrenite u smjeru suprotnom smjeru kretanja kazaljki na satu kako biste ga uklonili (sl. H).
4. Pažljivo napunite spremnik uljem za vodilicu i lanac. Spremnik napunite do donje strane otvora za punjenje.
5. Obrišite višak ulja i ponovo stavite čep.

NAPOMENA! Često provjeravajte nivo ulja i dopunite ulje kada nivo ulja padne ispod oznake minimalnog nivoa. Nemojte nikada upotrebljavati lančanu pilu ako ulje nije vidljivo.

UPOTREBA UŠICE ZA TRAKU (sl. H)

⚠ UPOZORENJE! Kada lančanu pilu vješate na pojas za alat, lanac pile i vodilicu uvijek prekrijte zaštitnom navlakom za lanac. Lanac pile je oštar i može uzrokovati teške povrede.

⚠ UPOZORENJE! Provjerite je li traka dovoljno jaka da izdrži ukupnu masu lančane pile i kompleta baterija. Pad lančane pile može rezultirati teškim povredama i materijalnim štetama.

POSTAVLJANJE/UKLANJANJE KOMPLETA BATERIJA

Proizvod upotrebljavajte samo s EGO kompletima baterija i punjačima koji su navedeni na sl. A2.

Komplet baterija potpuno napunite prije prve upotrebe.

Postavljanje

Poravnajte kontakte baterije s montažnim utorima i pritišćite komplet baterija prema dolje dok ne začujete zvuk klikanja (sl. I).

Uklanjanje

Pritisnite dugme za oslobađanje baterije i izvucite komplet baterija (sl. J).

⚠ UPOZORENJE! Za održavanje ugodne ravnoteže tokom rezanja, upotrebljavajte samo komplet baterija BA1400/BA1400T.

POKRETANJE/ZAUSTAVLJANJE LANČANE PILE

NAPOMENA! Prije pokretanja lančane pile provjerite nivo

ulja, zategnutost lanca, oštrinu zuba pile i propisnu funkciju ručice kočnice za povratni udar. Osim toga potrebni su stabilno uporište i propisna udaljenost od tla.

Pokretanje (sl. K)

1. Ručicu kočnice lanca za povratni udar povucite prema prednjem rukohvatu u radni položaj (sl. K).
2. Prednji rukohvat čvrsto prihvatite **lijevom**, a stražnji rukohvat **desnom** rukom.

⚠ UPOZORENJE! Kako biste izbjegli povrede, lančanu pilu uvijek upotrebljavajte desnom rukom u području držanja stražnjeg rukohvata (sl. L).

3. Za pokretanje pile pomaknite jezičak za blokadu prema naprijed, a zatim pritisnite okidni prekidač (sl. L).

L-1	Područje držanja
-----	------------------

4. Otpustite jezičak za blokadu i nastavite stiskati okidni prekidač za kontinuirani rad.
5. Što je okidni prekidač više pritisnut, brzina lanca je veća. Prilagodite brzinu trenutnom zadatku.

⚠ UPOZORENJE! Nemojte pokušavati pokretati pilu kada lanac pile ostane u drvetu.

Zaustavljanje

1. Odmaknite lančanu pilu od područja rezanja, a zatim otpustite okidni prekidač da zaustavite lančanu pilu.
2. Gurnite ručicu kočnice lanca za povratni udar prema naprijed u položaj kočenja da aktivirate kočnicu lanca (sl. K).

⚠ UPOZORENJE! Komplet baterija uvijek izvadite iz mašine tokom pauza i nakon završetka radova.

PROPISNO DRŽANJE ZA RUKOHVATE (sl. M)

- Za maksimalni prihvat i zaštitu nosite neklizajuće rukavice.
- Pilu na čvrstoj, ravnoj površini držite čvrsto objema rukama.
- Prednji rukohvat uvijek prihvatite lijevom, a stražnji rukohvat desnom rukom.
- Prsti trebaju obuhvatati rukohvat s palcem savijenim ispod prednjeg rukohvata.

⚠ UPOZORENJE! Nemojte nikada upotrebljavati lijevi (poprečni) prihvat niti položaj koji vaše tijelo ili ruku postavlja preko linije lanca.

⚠ UPOZORENJE! Nemojte rukovati okidnim prekidačem lijevom rukom i držati prednji rukohvat desnom rukom. Kada rukujete lančanom pilom nemojte nikada dozvoliti da dio vašeg tijela bude u liniji lanca (sl. N).

PROPISAN POLOŽAJ PRI REZANJU (sl. O)

- Oba stopala trebaju biti na čvrstom tlu uz tjelesnu masu ravnomjerno raspoređenu između njih.
- Lijeva ruka treba biti ispružena uz fiksirani lakat. Taj položaj će pomoći da se oduprete silama koje stvara povratni udar.
- Vaše tijelo uvijek mora biti s lijeve strane linije lanca.

UOBIČAJENE TEHNIKE REZANJA

⚠ UPOZORENJE! Uvijek osigurajte dobro uporište i čvrsto držite lančanu pilu objema rukama dok motor radi.

⚠ UPOZORENJE! Kada se lanac pile zaustavi zbog zaglavlivanja tokom postupka rezanja, otpustite okidni prekidač, uklonite lanac pile i vodilicu iz drveta, a zatim ponovo pokrenite lančanu pilu.

⚠ UPOZORENJE! Nemojte povlačiti lanac pile rukom kada je obuhvaćen piljevinom. Iznenadno pokretanje lančane pile može rezultirati teškim povredama. Za uklanjanje naslaga pritisnite lanac pile o drvo i pomičite lančanu pilu prema nazad i naprijed. Prije čišćenja uvijek izvadite komplet baterija. Kada rukujete lančanom pilom, uvijek nosite zaštitne rukavice za teške uslove rada.

⚠ UPOZORENJE! Nemojte nikada pokretati lančanu pilu kada je u kontaktu s drvjetom. Prije rezanja drveta uvijek pričekajte da lančana pila dostigne punu brzinu.

⚠ UPOZORENJE! Ova lančana pila s gornjom ručkom nije predviđena za upotrebu na tlu, tako da ovaj priručnik ne sadrži upute za obaranje stabala, orezivanje stabala i rezanje stabala po dužini.

⚠ UPOZORENJE! Ove upute za sječu stabala odnose se na ovu lančanu pilu s gornjom ručkom predviđenu isključivo za primjene sječe stabala koju obavljaju certificirani i posebno obučeni arboristi.

⚠ UPOZORENJE! Blokada može rezultirati povredama. Ove radove smije obavljati samo obučena osoba.

⚠ UPOZORENJE! Početnici bi trebali vježbati rezanje trupaca na stalku za piljenje ili stalku za trupce.

⚠ UPOZORENJE! Nemojte raditi na drveću gdje puše jak vjetar.

⚠ UPOZORENJE! Prije početka radova uvjerite se da u području pada nema osoba.

⚠ UPOZORENJE! Uvijek držite sebe i svoju opremu podalje od materijala koji se uklanja.

⚠ OPREZ! Prije radova na drvetu provjerite je li baterija potpuno napunjena.

Obrezivanje grana (sl. P)

Radi izbjegavanja oštećenja stabla ili kore pratite korake u nastavku. Nemojte pomjerati pilu nazad i naprijed.

1. Napravite prvi površinski rez (1/3 prečnika grane) na donjoj strani grane pored glavne grane ili debla.
2. Napravite drugi rez na gornjoj strani grane, van prvog reza. Nastavite rezati kroz granu dok se grana ne odvoji od stabla. Budite spremni uravnotežiti težinu alata i pobrinite se da vam se ne smeta prije završetka reza.
3. Napravite završni rez u blizini debla.

Blokiranje

Prije blokiranja, uklonite odvojenu koru, eksera, spjalice i žice sa stabla na mjestu gdje će biti napravljeni rezovi za blokiranje.

Zarezivanje

Napravite urez 1/4 prečnika stabla, okomito naspram smjera pada kako je prikazano na sl. Q. Najprije obavite niže vodoravno zarezivanje. To će pomoći u izbjegavanju zaglavlivanja lanca pile ili vodilice pri pravljenju drugog ureza.

Q-1	Smjer pada	Q-3	Rez obaranja
Q-2	Urez	Q-4	Zglob

Rez obaranja

- Rez obaranja napravite na visini vodoravnog zarezivanja kako je prikazano na sl. Q. Rez obaranja održavajte paralelnim u odnosu na vodoravno zarezivanje. Rez obaranja napravite tako da ostane dovoljno drveta da djeluje kao zglob. Zglob sprečava zakretanje stabla i pad stabla u pogrešnom smjeru. Nemojte rezati kroz zglob.
- Kako se rezovi za obaranje približavaju zglobu, stablo treba početi da pada. Ako postoji mogućnost da drvo ne padne u željenom smjeru ili da se zanjiše unazad i blokira lanac pile, obustavite radove rezanja prije završetka reza obaranja i upotrijebite klinove od drveta, plastike ili aluminijuma da otvorite rez i ispusite stablo duž željene linije pada.
- Kada blok stabla počne da pada, uklonite lančanu pilu iz reza, zaustavite motor i aktivirajte kočnicu lanca. Pazite na grane iznad glave koje padaju i vodite računa o uporištu.

ODRŽAVANJE

⚠ UPOZORENJE! Kada obavljate radove servisiranja, upotrebljavajte samo identične zamjenske dijelove. Upotreba drugih dijelova može uzrokovati opasnost ili oštećenje proizvoda. Radi osiguranja sigurnosti i pouzdanosti, sve popravke treba obavljati kvalifikovani servisni tehničar.

⚠ UPOZORENJE! Radi izbjegavanja teških tjelesnih povreda, prije pregleda, čišćenja ili održavanja komplet baterija uvijek izvadite iz proizvoda. Alat na baterijski pogon s umetnutim kompletom baterija uvijek je uključen i može se iznenada pokrenuti.

⚠ UPOZORENJE! Kada čistite lančanu pilu, NEMOJTE je uranjati u vodu ili druge tekućine.

⚠ UPOZORENJE! Nemojte nikada dozvoliti da kočione tekućine, benzin, proizvodi na bazi nafte, penetrirajuća ulja i sl., dođu u kontakt s plastičnim dijelovima. Hemikalije mogu oštetiti, oslabiti ili uništiti plastiku što može rezultirati teškim tjelesnim povredama.

ČIŠĆENJE

- Nakon svake upotrebe mekanom četkom očistite naslage s lanca i vodilice. Površinu lančane pile obrišite čistom krpom navlaženom u blagoj sapunici.
- Skinite bočni poklopac, a zatim mekanom četkom očistite naslage s vodilice, lanca pile, lančanika i bočnog poklopca.
- Pri zamjeni lanca pile, iz žlijeba vodilice uvijek očistite drvo ierje, prašinu od pile i prljavštinu.

ODRŽAVANJE VODILICE

Kada se na vodilici pojave znakovi istrošenosti, skinite je s pogonske glave lančane pile i okrenite je naopako za ponovno postavljanje (sl. R1). Na taj ćete način raspodijeliti trošenje radi maksimalnog radnog vijeka vodilice.

Vodilicu je potrebno čistiti svaki dan kada se upotrebljava i provjeriti na postojanje znakova istrošenosti i oštećenja. Stvaranje bridova ili neravnina na šinama vodilice je normalan proces trošenja vodilice. Takve nepravilnosti treba ublažiti turpijom čim se pojave. Vodilicu s bilo kojim od sljedećih nepravilnosti je potrebno zamijeniti.

- Istrošenost unutrašnje strane šina vodilice što omogućuje ležanje lanca sa strana.
- Savijena vodilica.
- Napuknute ili polomljene šine.
- Raširene šine.

Osim toga, vodilica na vrhu ima lančanik (sl. R2). Lančanik je potrebno sedmično podmazivati mazalicom radi produženja radnog vijeka vodilice. Za sedmično podmazivanje uljem za lanac putem otvora za podmazivanje upotrebljavajte mazalicu (sl. R3). Okrenite vodilicu i provjerite jesu li otvori za podmazivanje i žlijeb lanca očišćeni od nečistoća.

R-1	Lančanik na vrhu vodilice
R-2	Otvor za podmazivanje

TRANSPORT I SKLADIŠTENJE

- Lančanu pilu nemojte skladištiti ili transportovati kada radi. Prije skladištenja ili transporta uvijek izvadite komplet baterija.
- Prije skladištenja ili transporta lančane pile, na vodilicu i lanac uvijek stavite zaštitnu navlaku. Budite oprezni da izbjegnute oštre zube lanca.
- Proizvod uvijek nosite držeći ga za prednju ručku.
- Zaštitite proizvod od jakih udaraca ili jakih vibracija do kojih može doći tokom transporta u vozilima.
- Prije skladištenja detaljno očistite lančanu pilu i ispraznite spremnik za ulje. Lančanu pilu skladištite u zatvorenim prostorima na suhom mjestu koje je zaključano i/ili nedostupno djeci.
- Pogonsku jedinicu držite podalje od korozivnih sredstava kao što su vrtna hemijska sredstva i soli za odmrzavanje.

ZAŠTITA ŽIVOTNE SREDINE



Električnu opremu, iskorištenu bateriju i punjač ne odlažite u kućni otpad!

Ovaj proizvod odnesite u ovlaštenu centar za reciklažu i time omogućite odvojeno sakupljanje. Električne alate potrebno je vratiti u ekološki prihvatljiv pogon za reciklažu.

RJEŠAVANJE PROBLEMA

▲ UPOZORENJE! Kada obavljate radove održavanja na lančanoj pili, uvijek zaštitite ruke nošenjem debelih rukavica. Prije radova servisiranja ili transporta lančane pile uvijek izvadite komplet baterija.

PROBLEM	UZROK	RJEŠENJE
Motor ne radi.	<ul style="list-style-type: none"> ■ Komplet baterija nije pričvršćen na lančanu pilu. ■ Nema električnog kontakta između pile i kompleta baterija. ■ Komplet baterija je ispražnjen. ■ Komplet baterija je previše vruć ili je lančana pila previše vruća. ■ Jezičak za blokadu nije pritisnut prije pritiska na okidni prekidač. ■ Kočnica lanca se aktivira. ■ Lanac pile zaglavio se u drvetu. ■ Naslage u žlijebu vodilice. ■ Naslage u bočnom poklopcu. ■ Upotrebljava se komplet baterija kapaciteta 4,0 Ah ili više. 	<ul style="list-style-type: none"> ■ Pričvrstite komplet baterija na lančanu pilu. ■ Izvadite komplet baterija, provjerite kontakte i ponovo stavite komplet baterija. ■ Napunite komplet baterija. ■ Pričekajte da se komplet baterija ili lančana pila ohlade na radnu temperaturu u preporučenom opsegu. ■ Pritisnite jezičak za blokadu i držite ga pritisnutom, a zatim pritisnite okidni prekidač da uključite lančanu pilu. ■ Ručicu kočnice lanca za povratni udar povucite nazad prema prednjem rukohvatu u radni položaj. ■ Otpustite okidni prekidač, izvadite lanac pile i vodilicu iz drva, a zatim ponovo pokrenite lančanu pilu. ■ Za uklanjanje naslaga pritisnite lanac pile o drvo i pomičite lančanu pilu prema nazad i naprijed. ■ Izvadite komplet baterija, zatim skinite bočni poklopac i očistite naslage. ■ Proizvod upotrebljavajte samo s EGO kompletima baterija BA1400 i BA1400T od 2,5 Ah.
Lančana pila neočekivano se zaustavlja tokom rada.	<ul style="list-style-type: none"> ■ Lančana pila je preopterećena. ■ Komplet baterija je previše vruć ili je lančana pila previše vruća. ■ Lanac pile zaglavio se u drvetu. 	<ul style="list-style-type: none"> ■ Smanjite opterećenje. ■ Pričekajte da se komplet baterija ili lančana pila ohlade na radnu temperaturu u preporučenom opsegu. ■ Otpustite okidni prekidač, izvadite lanac pile i vodilicu iz drva, a zatim ponovo pokrenite lančanu pilu.
Motor radi, ali lanac se ne okreće.	<ul style="list-style-type: none"> ■ Lanac ne zahvaća pogonski lančanik. 	<ul style="list-style-type: none"> ■ Izvadite komplet baterija i ponovo postavite lanac vodeći računa da pogonske karike potpuno naliježu na lančanik.
Kočnica lanca se ne aktivira.	<ul style="list-style-type: none"> ■ Naslage sprečavaju puno kretanje ručice kočnice lanca za povratni udar. ■ Mogući kvar kočnice lanca. 	<ul style="list-style-type: none"> ■ Očistite naslage s vanjskog mehanizma kočnice lanca. ■ Odmah prestanite upotrebljavati lančanu pilu! Za popravak se obratite centru korisničke službe proizvođača EGO.

PROBLEM	UZROK	RJEŠENJE
Lančana pila ne reže ispravno.	<ul style="list-style-type: none"> ■ Lanac je nedovoljno zategnut. ■ Lanac je tup. ■ Lanac je postavljen naopako. ■ Lanac je istrošen. ■ Lanac je suh ili je previše rastegnut. ■ Lanac nije u žlijebu vodilice. 	<ul style="list-style-type: none"> ■ Ponovo podesite zategnutost lanca prema uputstvima iz odjeljka: "PODEŠAVANJE ZATEGNETOSTI LANCA". ■ Naoštrite lanac. ■ Ponovo stavite lanac pile prema uputstvima iz odjeljka "POSTAVLJANJE/ZAMJENA VODILICE I LANCA". ■ Zamijenite lanac prema uputstvima iz odjeljka: "POSTAVLJANJE/ZAMJENA VODILICE I LANCA". ■ Provjerite nivo ulja. Prema potrebi dopunite ulje u spremnik ulja. ■ Ponovo stavite lanac pile prema uputstvima iz odjeljka: "POSTAVLJANJE/ZAMJENA VODILICE I LANCA".
Lanac postaje labav ili spada s vodilice tokom normalne upotrebe.	<ul style="list-style-type: none"> ■ Lanac postaje labav kako se temperatura lanca povisuje tokom normalnog rada pile. ■ Lanac ne zahvaća pogonski lančanik. 	<ul style="list-style-type: none"> ■ Lanac zategnite prema uputstvima iz odjeljka "PODEŠAVANJE ZATEGNETOSTI LANCA". ■ Ponovo stavite lanac pile prema uputstvima iz odjeljka: "POSTAVLJANJE/ZAMJENA VODILICE I LANCA".
Vodilica i lanac zagrijavaju se i oslobađaju dim.	<ul style="list-style-type: none"> ■ Provjerite je li lanac previše zategnut. ■ Spremnik ulja za lanac je prazan. ■ Naslage u žlijebu vodilice. 	<ul style="list-style-type: none"> ■ Lanac ponovo zategnite prema uputstvima iz odjeljka "PODEŠAVANJE ZATEGNETOSTI LANCA". ■ Napunite spremnik mazivom za vodilicu i lanac. ■ Za uklanjanje naslaga pritisnite lanac pile o drvo i pomikite lančanu pilu prema nazad i naprijed.

GARANCIJA

POLITIKA GARANCIJE PROIZVOĐAČA EGO

Za sve odredbe i uslove politike garancije proizvođača EGO posjetite internetsku stranicu egopowerplus.eu.

المشكلة	السبب	الحل
لا يتم تعشيق فرملة السلسلة.	<ul style="list-style-type: none"> العوالق تمنع الحركة الكاملة لدواسة فرملة رد الفعل الارتدادي للسلسلة. توقف عن استخدام المنشار السلسلي على الفور! تواصل مع قسم خدمة العملاء بشركة EGO لإصلاح العيب. 	<ul style="list-style-type: none"> نظف العوالق عن الآلية الخارجية لفرملة السلسلة.
المنشار السلسلي لا يقطع بالشكل الصحيح.	<ul style="list-style-type: none"> شد السلسلة غير كافٍ. السلسلة غير حادة. تم تركيب السلسلة بشكل عكسي. السلسلة متأكلة. السلسلة جافة أو ممتددة بشكل زائد عن الحد. السلسلة ليست في تجويف القضيب. 	<ul style="list-style-type: none"> أعد ضبط شد السلسلة وفقاً للقسام: "ضبط شد السلسلة". اشحذ السلسلة. أعد تركيب سلسلة المنشار وفقاً للقسام "تجميع/استبدال القضيب والسلسلة". استبدل السلسلة وفقاً للقسام: "تجميع/استبدال القضيب والسلسلة". افحص مستوى الزيت. استكمل ملء خزان الزيت عند الضرورة. أعد تركيب سلسلة المنشار وفقاً للقسام: "تجميع/استبدال القضيب والسلسلة".
السلسلة تنفك أو تسقط عن قضيب التوجيه أثناء الاستخدام العادي.	<ul style="list-style-type: none"> أثناء التشغيل العادي للمنشار، ستنفك السلسلة بسبب ارتفاع درجة حرارة السلسلة. السلسلة لا تقوم بتعشيق الترس المسنن للعمود. 	<ul style="list-style-type: none"> اربط السلسلة لضبط شدها وفقاً للقسام "ضبط شد السلسلة". أعد تركيب سلسلة المنشار وفقاً للقسام: "تجميع/استبدال القضيب والسلسلة".
القضيب والسلسلة يصحان ساخنين ويصدر عنهما أدخنة.	<ul style="list-style-type: none"> راجع شد السلسلة للتحقق مما إذا كانت مشدودة بشكل زائد عن الحد. خزان زيت السلسلة فارغ. هناك عوالق في تجويف قضيب التوجيه. 	<ul style="list-style-type: none"> أعد ضبط شد السلسلة وفقاً للقسام "ضبط شد السلسلة". املا خزان الزيت بزيت القضيب والسلسلة. اضغط على سلسلة المنشار ناحية الخشب، وحرك المنشار السلسلي إلى الخلف والامام لإزالة العوالق.

الضمان

سياسة ضمان EGO

تفضل بزيارة الموقع الإلكتروني egopowerplus.eu للتعرف على الشروط والأحكام الكاملة الخاصة بسياسة ضمان EGO.

استكشاف الأعطال وإصلاحها

⚠ تحذير: احرص دائماً على حماية يديك عن طريق ارتداء قفازات قوية عند إجراء أي أعمال صيانة على المنشار السلسلي. احرص دائماً على خلع مجموعة البطارية عند إجراء أعمال الصيانة على المنشار السلسلي أو نقله.

المشكلة	السبب	الحل
المحرك لا يدور.	<ul style="list-style-type: none"> مجموعة البطارية غير مركبة في المنشار السلسلي. لا يوجد اتصال كهربائي بين المنشار ومجموعة البطارية. نقد شحن مجموعة البطارية. مجموعة البطارية أو المنشار السلسلي ساخنان للغاية. لم يتم الضغط على لسان الفل قبل الضغط على المفتاح الزنبركي. لم يتم تحقيق فرملة السلسلة. 	<ul style="list-style-type: none"> قم بتركيب مجموعة البطارية في المنشار السلسلي. اخلع مجموعة البطارية، وافحص التوصيلات، ثم أعد تركيب مجموعة البطارية. اشحن مجموعة البطارية. اترك مجموعة البطارية أو المنشار السلسلي يبردان إلى أن تهبط درجة حرارتهم إلى مدى درجة حرارة التشغيل الموصى بها. اضغط إلى أسفل مع التثبيت على لسان الفل، ثم اضغط مع التثبيت على المفتاح الزنبركي لتشغيل المنشار السلسلي. اسحب دواسة فرملة رد الفعل العكسي للسلسلة إلى الخلف ناحية المقبض الأمامي إلى أن تصل إلى وضع التشغيل.
سلسلة المنشار متعثرة في الخشب.	<ul style="list-style-type: none"> هناك عوالق في تجويف القضيب. 	<ul style="list-style-type: none"> ارفع إصبعك عن المفتاح الزنبركي؛ واخلع سلسلة المنشار وقضيب التوجيه من الخشب، ثم أعد تشغيل المنشار السلسلي.
هناك عوالق في الغطاء الجانبي.	<ul style="list-style-type: none"> هناك حمل زائد على المنشار السلسلي. 	<ul style="list-style-type: none"> اضغط على سلسلة المنشار ناحية الخشب، وحرك المنشار السلسلي إلى الخلف والأمام لإزالة العوالق.
تم استخدام مجموعة بطارية بقدرة 4.0 أمبير في الساعة أو أعلى.	<ul style="list-style-type: none"> هناك حمل زائد على المنشار السلسلي. اترك مجموعة البطارية أو المنشار السلسلي يبردان إلى أن تهبط درجة حرارتهم إلى مدى درجة حرارة التشغيل الموصى بها. ارفع إصبعك عن المفتاح الزنبركي؛ واخلع سلسلة المنشار وقضيب التوجيه من الخشب، ثم أعد تشغيل المنشار السلسلي. 	<ul style="list-style-type: none"> استخدم الآلة فقط مع مجموعات البطارية من شركة EGO بتيار 2.5 أمبير في الساعة من الطراز BA1400 و BA1400T.
المنشار السلسلي يتوقف عن العمل في أثناء الاستخدام بشكل غير متوقع.	<ul style="list-style-type: none"> المنشار السلسلي يتوقف عن العمل في أثناء الاستخدام بشكل غير متوقع. 	<ul style="list-style-type: none"> خفف الحمل.
المحرك يدور، ولكن السلسلة لا تدور.	<ul style="list-style-type: none"> السلسلة لا تقوم بتعشيق الترس المسنن للعمود. 	<ul style="list-style-type: none"> اخلع مجموعة البطارية وأعد تركيب السلسلة، مع التأكد من استواء وصلات نقل الحركة بالسلسلة بأكملها على الترس المسنن.

النقل والتخزين

- لا تقم بتخزين أو نقل المنشار السلسلي وهو يعمل. احرص دائماً على خلع مجموعة البطارية قبل التخزين أو النقل.
- احرص دائماً على وضع غلاف السلسلة على قضيب التوجيه والسلسلة قبل تخزين المنشار السلسلي أو نقله. تعامل بحذر لتجنب الأسنان الحادة للسلسلة.
- احمل المنتج دائماً من مقبضه الأمامي.
- احرص على حماية المنتج من أي ارتطام شديد أو اهتزازات قوية قد تحدث في أثناء النقل في المركبات.
- نظف المنشار السلسلي جيداً وأفرغ خزان الزيت قبل التخزين. يكون تخزين المنشار السلسلي داخل المنزل في مكان جاف مغلق و/أو لا يمكن الوصول إليه من قبل الأطفال.
- احتفظ بالمنتج بعيداً عن المواد المسببة للتآكل مثل كيماويات الحديدية وملح إذابة الجليد.

حماية البيئة

- لا تتخلص من المعدات الكهربائية أو البطارية المستهلكة أو الشاحن في النفايات المنزلية! بل توجه بهذا المنتج إلى مركز إعادة تدوير معتمد ليكون متاحاً للفرز بشكل منفرد. تجب إعادة الآلات الكهربائية إلى مرفق إعادة تدوير صديق للبيئة.



والأوساخ عن تجويف قضيب التوجيه أثناء استبدال سلسلة المنشار.

صيانة قضيب التوجيه

- عند ظهور علامات تآكل على قضيب التوجيه، قم بفكّه من رأس طاقة المنشار السلسلي وإعادة تجميعه بشكل عكسي (الشكل R1). وسيؤدي ذلك إلى توزيع التآكل لتحقيق أقصى عمر للقضيب.
- يجب تنظيف القضيب في كل يوم استخدام وفحصه بحثاً عن أي علامات للتآكل والتلف. تأكل أو تقب حواجز القضيب من المظاهر الطبيعية لتآكل القضيب. مثل تلك العيوب يجب تعميمها باستخدام مبرد بمجرد ظهورها. أي قضيب به العيوب التالية يجب استبداله.
- تأكل داخل حواجز القضيب تسمح بارتقاء السلسلة للمسارات الجانبية.
- انثناء قضيب التوجيه.
- تشقق الحواجز أو انكسارها.
- تمدد الحواجز.

بالإضافة إلى ذلك، فقضيب التوجيه به ترس مسنن عند طرفه (الشكل R2). يجب تشحيم الترس المسنن أسبوعياً بمحقة تشحيم، وذلك لتمديد عمر قضيب التوجيه. استخدم محقة التشحيم للتشحيم أسبوعياً بزيت السلسلة عن طريق فتحة التزييت (الشكل R3). أدر قضيب التوجيه، وتحقق من خلو فتحات التزييت وتجويف السلسلة من الشوائب.

R-1	الترس المسنن في طرف قضيب التوجيه
R-2	فتحة التزييت

سلسلة المنشار أو قضيب التوجيه عند عمل القطع الأخدودي الثاني.

Q-1	اتجاه السقوط	Q-3	القطع الخلفي
Q-2	حزوز	Q-4	مفصلة

القطع الخلفي

- اصنع القطع الخلفي عند نفس ارتفاع القطع الأخدودي الأفقي على النحو الموضح في الشكل Q. اجعل القطع الخلفي موازيًا للقطع الأخدودي الأفقي. في أثناء عمل القطع الخلفي، اترك خشبًا كافيًا ليعمل كمفصلة. المفصلة الخشبية تمنع التواء الشجرة وسقوطها في الاتجاه الخاطئ. لا ينبغي القطع عبر المفصلة الخشبية.
- مع اقتراب القطع الخلفي من المفصلة الخشبية، ستبدأ الشجرة في السقوط. إذا كان هناك أي احتمال بسقوط الشجرة في غير الاتجاه المرغوب أو أنها قد ترتد وتثني سلسلة المنشار، قم بإيقاف القطع قبل اكتمال القطع الخلفي واستخدم الأوتاد المصنوعة من الخشب أو البلاستيك أو الألمنيوم لفتح القطع وإسقاط الشجرة على طول خط السقوط المرغوب.
- عندما تبدأ كتلة الشجرة في السقوط، اخلع المنشار السلسلي من موضع القطع، وأوقف المحرك، وخفض المنشار السلسلي، وقم بتفعيل فرملة السلسلة. حاذر من أفرع الشجر العلوية وانتبه لموضع قدميك.

الصيانة

- ⚠ **تحذير:** استخدم فقط قطع غير أصلية عند إجراء أعمال الصيانة. لأن استخدام أي أجزاء أخرى قد ينشأ عنه خطر أو يتسبب في تعرض المنتج للتلوث. لضمان السلامة والاعتمادية، يجب تنفيذ جميع أعمال الإصلاح من قبل فني خدمة مؤهل.
- ⚠ **تحذير:** لتجنب التعرض لإصابات خطيرة، احرص دائمًا على خلع مجموعة البطارية من الآلة قبل فحصها أو تنظيفها أو إجراء أي أعمال صيانة عليها. عندما تكون البطارية مركبة في الآلة العاملة بالبطارية، فإن الآلة تكون متصلة بالتيار وقد تعمل دون قصد.
- ⚠ **تحذير:** عند تنظيف المنشار السلسلي، لا تغمره في الماء أو أي سوائل أخرى.
- ⚠ **تحذير:** لا تسمح في أي وقت من الأوقات بلامسة سوائل الفرامل أو المواد البترولية أو المنتجات القائمة على البترول أو الزيت المتغلغل أو ما شابههم للأجزاء البلاستيكية من المنشار. لأن المواد الكيميائية قد تتسبب في تلف الأجزاء البلاستيكية أو وضعفها أو تدميرها، وهو ما قد يؤدي إلى وقوع إصابات خطيرة.

التنظيف

- بعد كل استخدام، نظف العوالق عن السلسلة وقضيب التوجيه بفرشاة ناعمة. امسح سطح المنشار السلسلي بقطعة قماش نظيفة مبللة بمحلول صابون خفيف.
- اخلع الغطاء الجانبي، ثم استخدم فرشاة ناعمة لإزالة العوالق عن قضيب التوجيه وسلسلة المنشار والترس المسنن والغطاء الجانبي.
- احرص دائمًا على إزالة الرقاقت الخشبية، وغبار المنشار،

قصده. اضغط على سلسلة المنشار ناحية الخشب، وحرك المنشار السلسلي إلى الخلف والأمام لإزالة العوالق. احرص دائمًا على خلع مجموعة البطارية قبل التنظيف. احرص على ارتداء قفازات واقية قوية عند التعامل مع سلسلة المنشار.

⚠ **تحذير:** لا تقم أبدًا ببدء تشغيل المنشار السلسلي أثناء ملامسته للخشب. احرص دائمًا على ترك المنشار السلسلي يصل إلى سرعته الكاملة قبل وضع المنشار على الخشب.

⚠ **تحذير:** هذه المنابض السلسلية ذات المقيض العلوي غير معدة للاستخدام على الأرض، وبالتالي لا يحتوي هذا الدليل على تعليمات بشأن قطع الأشجار وتقطيع الأفرع وتقطيع الزنود.

⚠ **تحذير:** تطبيق هذه التعليمات الخاصة بقطع الأشجار على المنشار السلسلي ذي المقيض العلوي، والمصمم حصريًا لتطبيقات قطع الأشجار بواسطة متخصصي العناية بالأشجار المعتمدين والمدربين خصيصًا للقيام بذلك.

⚠ **تحذير:** قد يؤدي قطع كتل الأشجار من أعلى إلى وقوع إصابة. ينبغي أن يتم ذلك من قبل شخص مدرب فقط.

⚠ **تحذير:** بالنسبة لمن سيستخدم الآلة للمرة الأولى، نرجو منك التدرج على تقطيع زنود الخشب على مسند قطع خشبي أو منجلة زنود أشجار.

⚠ **تحذير:** لا تستخدم الآلة في الأشجار المعرضة لظروف الرياح القوية.

⚠ **تحذير:** تأكد من أن جميع المارة بعيدون عن منطقة السقوط قبل بدء العملية.

⚠ **تحذير:** احرص دائمًا على إبقاء نفسك ومعدائك بعيدًا عن المواد التي تتم إزالتها.

تنبيه: تأكد من شحن البطارية بالكامل قبل العمل في الشجرة.

التقليم (الشكل P)

اتبع الخطوات أدناه لمنع تعرض لحاء الأشجار أو الشجيرات للتلوث. لا تتبع أسلوب الحركة إلى الخلف والأمام في أثناء القطع بالمنشار.

1. بل اصنع قطعًا غير غائر (1/3 من قطر الفرع) أولاً على الجانب الخلفي للفرع بالقرب من الفرع أو الجذع الرئيسي.

2. وبعد ذلك، اصنع قطعًا ثانيًا من الجانب العلوي للفرع بعيدًا عن القطع الأول. واصل القطع عبر الفرع إلى أن ينفصل الفرع عن الشجرة. كن مستعدًا لموازنة وزن الآلة، وتأكد من أنك بعيد عنها قبل إكمال القطع.

3. اصنع قطعًا أخيرًا بالقرب من الجذع.

قطع كتل الأشجار من أعلى

قبل قطع كتل الأشجار من أعلى، قم بإزالة اللحاء السائب والمسامير والدبابيس والأسلاك من الشجرة حيث سيتم إجراء قطع كتل الأشجار.

القطع الأخدودي المحدد لاتجاه السقوط

اصنع قطعًا أخدوديًا بطول 1/4 من قطر الشجرة، بحيث يكون عموديًا على اتجاه السقوط وفقًا لما هو موضح في الشكل Q. اصنع القطع الأخدودي الأفقي الأدنى أولاً. فهذا سيساعد في تجنب انحشار

5. كلما زاد الضغط على المفتاح الزنبركي، زادت سرعة السلسلة. اضبط السرعة بحيث تلائم المهمة التي تقوم بها.

تحذير: لا تحاول بدء تشغيل المنشار بينما سلسلة المنشار يتم استخدامها في قطع قطعة ما.

للإيقاف

1. حرك المنشار السلسلي بعيداً عن أي منطقة قطع، وبعد ذلك حرر المفتاح الزنبركي لإيقاف تشغيل المنشار.
 2. ادفع دواسة فرملة رد الفعل العكسي للسلسلة إلى الأمام إلى وضع الفرملة لتشغيل فرملة السلسلة (الشكل K).
- تحذير:** احرص دائماً على خلع مجموعة البطارية من الآلة أثناء فترات الاستراحة وبعد الانتهاء من العمل.

الإمساك السليم بالمقبض (الشكل M)

- احرص على ارتداء قفازات مانعة للانزلاق لتحقيق أقصى قدر من الإمساك والحماية.
 - بينما المنشار على سطح صلب مستوي، أمسك المنشار بإحكام بكلتا يديك.
 - احرص دائماً على الإمساك بالمقبض الأمامي باليد اليسرى، والمقبض الخلفي باليد اليمنى.
 - يجب أن تكون الأصابع محيطة بالمقبض، بحيث يكون الإبهام ملتصقاً حول المقبض الأمامي.
- تحذير:** تجنب الإمساك بالمنشار بقبضة اليد اليسرى (مع تقابل اليدين)، أو اتخاذ أي وضع جسماني قد يجعل جسمك أو ذراعك مقابلاً لخط السلسلة.
- تحذير:** لا تقم بتشغيل المفتاح الزنبركي بيدك اليسرى، والإمساك بالمقبض الأمامي بيدك اليمنى. لا تسمح أبداً بوجود أي جزء من أجزاء جسمك في طريق حركة السلسلة في أثناء تشغيل المنشار (الشكل N).

وضع القطع السليم (الشكل O)

- يجب أن تكون كلتا قديمك على أرض صلبة، مع توزيع الوزن عليهما بالتساوي.
- يجب أن يكون الذراع الأيسر ممتدًا على استقامته، والكوع ثابتًا. فهذا يساعد في مقاومة القوى الناشئة عن رد الفعل العكسي.
- احرص دائماً على أن يكون جسمك على الجانب الأيسر لخط السلسلة.

تقنيات القطع الشائعة

- تحذير:** تحقق دائماً من موضع قديمك وأمسك المنشار السلسلي بإحكام بكلتا يديك أثناء دوران المحرك.
- تحذير:** عند توقف سلسلة المنشار بسبب انحسارها أثناء القطع، ارفع إصبعك عن المفتاح الزنبركي؛ واخلع سلسلة المنشار وقضيب التوجيه من الخشب، ثم أعد تشغيل المنشار السلسلي.
- تحذير:** لا تسحب سلسلة المنشار بيدك وهي مغطاة بالثبارة. فقد تتعرض لإصابات خطيرة إذا تم بدء تشغيل المنشار السلسلي دون

تنبيه: افحص مستوى الزيت بانتظام، وأعد الملاء عند هبوط مستوى الزيت إلى ما دون خط الحد الأدنى. لا تقم أبداً بتشغيل المنشار السلسلي إذا كان الزيت غير مرئي.

استخدام ثقب الحبل (الشكل H)

- تحذير:** قم دائماً بتغطية سلسلة المنشار وقضيب التوجيه بغلاف السلسلة عند تعليق المنشار على حزام الآلة. سلسلة المنشار حادة وقد تسبب إصابات خطيرة.
- تحذير:** تأكد من أن الحبل قوية كفاية لدعم الوزن الكلي للمنشار السلسلي ومجموعة البطارية. فقد تقع إصابات خطيرة أو تلف في الممتلكات إذا سقط المنشار السلسلي.

تركيب/خلع مجموعة البطارية

لا تستخدم الآلة إلا مع مجموعات بطارية وشواحن EGO المدرجة في الشكل A2. اشحن البطارية بالكامل قبل الاستخدام لأول مرة.

للتثبيت

قم بمحاذاة دعائم البطارية مع فتحات التثبيت، واضغط على مجموعة البطارية إلى أسفل إلى أن تسمع صوت "نقرة" (الشكل I).

للخلع

اضغط إلى أسفل على زر تحرير البطارية، واسحب مجموعة البطارية إلى الخارج (الشكل J).

تحذير: للحفاظ على التوازن المريح في أثناء القطع، يرجى استخدام المنتج فقط مع مجموعة البطارية BA1400/BA1400T.

بدء تشغيل/إيقاف المنشار السلسلي

تنبيه: قبل بدء تشغيل المنشار السلسلي، راجع مستوى الزيت، ومدى شد السلسلة، ومدى حدة أسنان المنشار، ومن أن دواسة فرملة رد الفعل العكسي تعمل كما ينبغي. إلى جانب ذلك، لا بد من التحقق من وقوفك متزاناً ووجود مسافة ملائمة بعيداً عن الأرض.

لبدء التشغيل (الشكل K)

1. اسحب دواسة فرملة رد الفعل العكسي للسلسلة ناحية المقبض الأمامي إلى وضع التشغيل (الشكل K).
2. أمسك المقبض الأمامي باليد اليسرى والمقبض الخلفي باليد اليمنى بإحكام.

- تحذير:** لتجنب وقوع إصابات، استخدم دائماً المنشار السلسلي بحيث تمسك اليد اليمنى بمنطقة الإمساك بالمقبض الخلفي (الشكل L).
3. حرك لسان القفل إلى الأمام، ثم اضغط على المفتاح الزنبركي لبدء تشغيل المنشار (الشكل L).

L-1	منطقة الإمساك
-----	---------------

4. حرر لسان القفل، وواصل عصر المفتاح الزنبركي للتشغيل المتواصل.

عندما تبرد. راجع شد السلسلة وهي باردة قبل الاستخدام التالي.

6. أمسك السلسلة في موضعها على قضيب التوجيه، وضع العروة حول الترس المسنن للمنتشر العمودي (الشكل E1).

التشغيل

⚠ تحذير: لا تسمح لاعتيادك على تشغيل هذا المنتج أن يجعلك مستهتراً عند التعامل معه. ولا تنس أن الاستهتار لجزء من الثانية كافٍ للتسبب في حدوث إصابات خطيرة.

⚠ تحذير: لا تستخدم أي مرفقات أو ملحقات سوى تلك الموصى بها من قبل الشركة الصانعة لهذا المنتج. لأن استخدام مرفقات أو ملحقات غير موصى بها قد يؤدي إلى وقوع إصابات شخصية خطيرة.

⚠ تحذير: لمنع بدء التشغيل غير المقصود، والذي قد يؤدي إلى وقوع إصابات شخصية خطيرة، احرص دائماً على خلع مجموعة البطارية من الآلة عند تجميع الأجزاء، أو عمل التعديلات، أو التنظيف، أو عند عدم الاستخدام.

قبل كل استخدام، افحص المنتج بأكمله بحثاً عن الأجزاء التالفة أو المفقودة أو المكسرة، مثل المسامير الملولبة والصواميل والمسامير والأغطية وما شابه. اربط جميع عناصر التثبيت والأغطية بإحكام، ولا تقم بتشغيل هذا المنتج إلا بعد استبدال جميع الأجزاء المفقودة أو التالفة.

الاستخدامات

يمكنك استخدام هذا المنتج لتطبيقات القطع الأساسية في الأشجار.

⚠ تحذير: لا تقم باستخدام هذا المنتشر السلسلي لقطع شجرة إلا إذا كنت قد تلقيت تدريباً خاصاً للقيام بذلك. إن استخدام المنتشر السلسلي في شجرة دون التدريب المناسب قد يؤدي إلى زيادة خطر الإصابة الشخصية الخطيرة.

تنبيه: يجب استخدام الآلة في الأغراض المحددة لها فقط. أي استخدام آخر يعد حالة من حالات سوء الاستخدام.

التعبئة بزيت القضيبي والسلسلة

⚠ تحذير: ينبغي عدم التدخين أو جلب أي مصدر للنيران أو ألسنة اللهب بالقرب من الزيت أو المنتشر السلسلي. قد ينسكب الزيت ويتسبب في نشوب حريق.

تنبيه: المنتشر السلسلي لا يكون مملوئاً بالزيت وقت الشراء. من الضروري تعبئة خزان الزيت قبل الاستخدام. يتم تزيت السلسلة تلقائياً بزيت السلسلة أثناء التشغيل، وذلك إذا كان هناك ما يكفي من الزيت في خزان الزيت.

1. ضع المنتشر السلسلي على جانبه بحيث يكون غطاء الخزان متجهاً إلى أعلى.
2. نظف غطاء خزان الزيت والمنطقة المحيطة به لضمان عدم دخول أوساخ إلى داخل خزان الزيت.
3. ارفع اللوح نصف المستدير وأدر غطاء خزان الزيت عكس اتجاه عقارب الساعة لخلعه (الشكل H).
4. صب زيت القضيبي والسلسلة برفق في الخزان. املا حتى أسفل عنق الملاء.
5. امسح أي كميات زائدة من الزيت، ثم أعد تركيب الغطاء.

D-1	وصلة نقل حركة السلسلة	E-2	شفاه المحاذاة
D-2	تجريف قضيب التوجيه	E-3	إبرة الشد
E-1	الترس المسنن للعمود	E-4	مسامير تثبيت

تنبيه: عند لف سلسلة المنتشر على قضيب التوجيه، تأكد من توافق توجيه القاطع مع أيقونة القاطع وسهم اتجاه الدوران على هيكل المنتشر (الشكل E1)، بعد تركيب قضيب التوجيه على المنتشر. وإذا كانوا في اتجاهات متعاكسة، أعد تجميع سلسلة المنتشر على قضيب التوجيه بحيث تكون القواطع في نفس الاتجاه (الشكل E2).

7. ضع قضيب التوجيه على سطح التثبيت عن طريق تحريك فتحة قضيب التوجيه فوق شفاه المحاذاة. تأكد من أن موضع قضيب التوجيه مضبوط بشكل صحيح فوق مسمار التثبيت وإبرة الشد.

8. أعد تركيب الغطاء الجانبي على هيكل المنتشر (الشكل E3)، واربط كلتا صامولة القضيبي بإحكام.

تنبيه: في أثناء التجميع والصيانة، قد تبتئق اللوحة المعدنية الموجودة أسفل قضيب التوجيه (الشكل F) إلى أعلى. إذا حدث هذا، قم بتنظيف الفجوة بين هذه القطعة المعدنية والهيكل جيداً، وادفع اللوحة المعدنية إلى الخلف إلى أن تصبح متساوية مع الهيكل. قد يؤدي عدم تنظيف اللوحة المعدنية وتثبيتها بشكل صحيح إلى عدم محاذاة قضيب التوجيه.

9. قم بتدوير السلسلة يدوياً للتحقق مما إذا كانت السلسلة مجمعة بشكل صحيح بدون وجود معوقات. وإلا، أعد تجميع السلسلة والقضيبي.

تنبيه: لتمديد حياة قضيب التوجيه، اعكس القضيبي من وقت لآخر.

ضبط شد السلسلة

- أوقف المحرك واخلع مجموعة البطارية قبل ضبط شد السلسلة. قم بتدوير مسمار الشد في اتجاه عقارب الساعة أو عكس اتجاه عقارب الساعة لضبط شد السلسلة (الشكل F) إلى أن تستقر السلسلة بشكل متماسك على قضيب التوجيه مع وصلات نقل حركة السلسلة في تجويف قضيب التوجيه.
 - تكون السلسلة وهي باردة مشدودة كما ينبغي عند عدم وجود ارتخاء على الجانب السفلي لقضيبي التوجيه، والسلسلة متماسكة، ولكن يمكن إدارتها باليد بدون إعاقة. تجنب إعادة شد السلسلة في أي وقت لا تستقر فيه دواليب وصلات نقل حركة السلسلة على تجويف القضيبي.
 - أثناء التشغيل العادي للمنتشر، سترتفع درجة حرارة السلسلة. وصلات نقل الحركة للسلسلة الدافئة مضبوطة الشد ستكون مرتخية بحوالي 2-1 مم خارج تجويف القضيبي (الشكل G).
- تنبيه:** تميل السلاسل الجديدة إلى التمدد؛ وعليه راجع مستوى شد السلسلة بانتظام واضبطها بحسب الحاجة.
- تنبيه:** السلسلة المشدودة وهي دافئة، قد تصح مشدودة بشكل زائد

قائمة المحتويات (الشكل A1)

المواصفات

- الوصف**
- تعرف على المنشار السلسلي (الشكل A1)
1. قضيب التوجيه
 2. سلسلة المنشار
 3. دواسة فرملة رد الفعل الارتدادي للسلسلة
 4. المقبض الخلفي
 5. المقبض الأمامي
 6. نافذة فحص مستوى الزيت
 7. غطاء خزان الزيت
 8. لسان القفل
 9. المفتاح الزنبركي
 10. زر تحرير البطارية
 11. الغطاء الجانبي
 12. صامولة القضيب
 13. مسمار الشد
 14. فتحة التزييت
 15. غلاف السلسلة
 16. حمالة الحبل
 17. مفتاح ربط جانبيين

التجميع

تجميع/استبدال القضيب والسلسلة

⚠ تحذير: قبل إجراء أي عملية تجميع أو صيانة، تأكد من إزالة مجموعة البطارية. لأن عدم الانتباه إلى هذا التحذير قد يؤدي إلى وقوع إصابات شخصية خطيرة.

⚠ تحذير: اضبط دواسة فرملة رد الفعل الارتدادي للسلسلة على وضع الفرملة قبل التجميع.

⚠ تحذير: احرص دائماً على ارتداء قفازات عند التعامل مع القضيب والسلسلة؛ لأن هذه المكونات حادة وقد تكون لها حواف خشنة.

1. ضع رأس طاقة المنشار السلسلي على جانبه بحيث يكون الغطاء الجانبي متجهاً لأعلى (الشكل B).
2. الخلع الغطاء الجانبي عن طريق تدوير صامولة القضيب عكس اتجاه عقارب الساعة.
3. أدر مسمار الشد عكس اتجاه عقارب الساعة لخفض شد السلسلة.
4. ضع سلسلة المنشار في عروة على سطح مستوي، وقم بتسوية أي انثناءات (الشكل C).
5. ضع وصلات عمود السلسلة في تجويف قضيب التوجيه، وثبت السلسلة على الجانب الخلفي لقضيب التوجيه (الشكل D).

الجهد المقدر	56 فولت
الحد الأقصى لمرعة السلسلة	20 م/ثانية
المسافة بين أسنان السلسلة	1/4 بوصة (6,4 مم)
مقياس السلسلة	1,1 سم
طول قضيب التوجيه	300 مم
طرز سلسلة المنشار	AC1204Q (موصى به)
	AC1000Q (متوافق)
طرز قضيب التوجيه	AG1000Q (متوافق)
	AK1204Q (موصى به)
سعة خزان زيت السلسلة	150 مل
الوزن (من دون البطارية، وسلسلة المنشار، وقضيب التوجيه، والغطاء الجانبي، والزيت، وغلاف السلسلة)	1,9 جم
درجة حرارة التشغيل الموصى بها	40-15- درجة مئوية
درجة حرارة التخزين الموصى بها	20- 70 درجة مئوية
درجة حرارة الشحن الموصى بها	5 - 40 درجة مئوية
مستوى قوة الصوت المُقَدَّر L_{WA}	97 ديسيبل(أ) 3,6=K ديسيبل(أ)
مستوى ضغط الصوت في وضع التشغيل L_{PA}	89 ديسيبل(أ) 3=K ديسيبل(أ)
مستوى قوة الصوت المضمنون L_{WA} (وفقاً للمعيار EC/2000/14)	101 ديسيبل(أ)
الاهتزاز a_h	المقبض الأمامي
	المقبض الخلفي
	2,64 م/ثانية ² K=1,5 م/ثانية ²
	2,05 م/ثانية ² K=1,5 م/ثانية ²

- القيمة الكلية للاهتزاز الموضحة تم قياسها وفقاً لطريقة اختبار قياسية وقد تستخدم لمقارنة أداة بأخرى؛
- كما يمكن استخدام القيمة الكلية للاهتزاز الموضحة في التقييم التمهيدي للتعرض.

تنبيه: قد تختلف انبعاثات الاهتزاز أثناء الاستخدام الفعلي للآلة العاملة بالطاقة عن القيمة المعلنة التي يتم استخدام الآلة فيها؛ ولحماية مشغل الآلة، ينبغي على المستخدم ارتداء قفازات وواقيات للأذن في ظروف الاستخدام الفعلية.

اقرأ جميع التعليمات!



تحذير: لضمان السلامة والاعتمادية، يجب تنفيذ جميع أعمال الإصلاح من قبل فني خدمة مؤهل.

تحذير: احرص على قراءة وفهم جميع تعليمات السلامة في دليل التشغيل هذا، بما في ذلك جميع رموز تنبيهات السلامة، مثل "خطر"، و"تحذير"، و"تنبيه" قبل استخدام هذه الآلة. عدم اتباع جميع التعليمات الواردة أدناه قد يؤدي إلى حدوث صدمة كهربائية أو نشوب حريق أو التعرض للإصابة الشخصية، أحدها أو جميعها.

احتفظ بجميع التحذيرات والتعليمات للرجوع إليها في المستقبل.

رموز السلامة

تحذير: قد يؤدي تشغيل أي آلة إلى دخول أي أشياء غريبة في عينيك، وهو ما قد يؤدي إلى إلحاق أضرار خطيرة بالعين. قبل بدء تشغيل الآلة العاملة بالطاقة، احرص دائمًا على ارتداء واقبات العينين أو نظارات حماية العينين ذات دروع جانبية، ودرع واق لكامل الوجه عند اللزوم. نوصي بارتداء قناع السلامة واسع الرؤية لاستخدامه فوق نظارات العين أو نظارات السلامة العادية ذات الدروع الجانبية.

للحد من خطر الإصابة، يجب على المستخدم قراءة وفهم دليل التشغيل قبل استخدام هذا المنتج.



تنبيه سلامة



ارتد أدوات حماية الأذنين



ارتد أدوات حماية العينين



ارتد قفازات الحماية



ارتد أدوات حماية الرأس



احرص دائمًا على استخدام المنشار السلسلي بكتفا يدك



رد الفعل الارتدادي لطرف قضيب التوجيه



المعلومات عن قضيب التوجيه



حاذر من رد الفعل الارتدادي للمنشار وتجنب ملامسة طرف القضيب



لا يجب التخلص من الأجهزة الكهربائية المستهلكة في النفايات المنزلية. توجه بالجهاز إلى مركز إعادة تدوير معتمد.



مستوى قوة الصوت المضمون. انبعاثات الضوضاء في البيئة وفقًا لتوجيه الاتحاد الأوروبي.



هذا المنتج متوافق مع تشريعات المملكة المتحدة المعمول بها.



هذا المنتج متوافق مع توجيهات شهادة الجودة الأوروبية (CE) المعمول بها.



الحماية من تنثر الماء

IPX4

تيار مستمر



السرعة بدون حمل

n_0

مليمتر

mm

في الدقيقة

./min.

الجهد الكهربائي

V

בעיה	סיבה	פתרון
המנוע פועל אך השרשרת איננה מסתובבת.	<ul style="list-style-type: none"> השרשרת אינה מניעה את גלגל השיניים. 	<ul style="list-style-type: none"> הסירו את מארז הסוללה והתקינו מחדש את השרשרת, כאשר אתם מוודאים שקישורי ההנעה על השרשרת ישוברים על גלגל השיניים.
בלם השרשרת איננו פועל.	<ul style="list-style-type: none"> אשפה מונעת תנועה מלאה של דושת הבלימה לתגובה חזקה לאחר של השרשרת. הפסיקו להשתמש במסור השרשרת מיד! צרו קשר עם מחלקת שירות הלקוחות של OGE לתיקונים. 	<ul style="list-style-type: none"> נקו שאריות ממנגנון בולם השרשרת החיצוני.
המסור החשמלי איננו חותך כהלכה.	<ul style="list-style-type: none"> מתח שרשרת לא מספיק. שרשרת קהה. השרשרת מותקנת הפוך. שרשרת עם סימני בלאי. שרשרת יבשה או מתוחה מעל המידה. השרשרת איננה בחריץ המוט. 	<ul style="list-style-type: none"> כווננו מחדש את מתח השרשרת בהתאם לחלק: „כוונון מתח השרשרת”. חדדו את השרשרת. הרכיבו מחדש את שרשרת המסור, בהתאם לסעיף „הרכבת/החלפת המוט והשרשרת”. התקינו מחדש את השרשרת, כאשר את עוקבים אחר: „הרכבה/החלפה של המוט והשרשרת”. בדקו את רמת השמן. מילאו שוב את מיכל השמן אם יש צורך בכך. התקינו מחדש את שרשרת המסור, כאשר את עוקבים אחר: „הרכבה/החלפה של המוט והשרשרת”.
השרשרת נהיית רופפת ונופלת מעל המוט המנחה במהלך שימוש רגיל.	<ul style="list-style-type: none"> השרשרת מתרופפת כאשר טמפרטורת המסור עולה, בעת פעולה רגילה של המסור. השרשרת אינה מניעה את גלגל השיניים. 	<ul style="list-style-type: none"> התאימו את מתח השרשרת, בהתאם לסעיף „התאמת מתח השרשרת”. התקינו מחדש את שרשרת המסור, כאשר את עוקבים אחר: „הרכבה/החלפה של המוט והשרשרת”.
המוט והשרשרת מתחממים ומעלים עשן.	<ul style="list-style-type: none"> בדקו את מתח השרשרת על מנת שלא תהיה מתוחה מדי. מיכל השמן של השרשרת ריק. אשפה בחריץ הפס המנחה. 	<ul style="list-style-type: none"> התאימו מחדש את מתח מסור השרשרת, על פי סעיף „התאמת מתח השרשרת”. מלאו את מכל השמן עם שמן מוט ושרשרת. לחצו על המסור החשמלי אל עבר העץ, הזיזו את המסור החשמלי קדימה ואחורה על מנת להיפטר מחלקי אשפה.

אחריות

מדיניות האחריות של EGO

ניתן לבקר באתר egopowerplus.eu כדי לעיין בתנאים וההתניות המלאים של מדיניות האחריות של EGO.

איתור וטיפול בבעיות

▲ אזהרה: הגנו תמיד על הידיים שלכם על ידי לבישת כפפות מוצקות בעת ביצוע כל פעולת תחזוקה במסור החשמלי. הסירו תמיד את מארז הסוללה בעת ביצוע תיקונים או הובלה של המסור החשמלי.

פותרון	סיבה	בעיה
<ul style="list-style-type: none"> ■ הצמידו את מארז הסוללה אל המסור החשמלי. ■ הסירו את מארז הסוללה, בדקו את החיבורים והתקינו מחדש את מארז הסוללה. ■ הטעינו את מארז הסוללה. ■ אפשרו לאריזת הסוללה או למסור השרשרת להתקרר עד שהטמפרטורה תרד לטווח טמפרטורת הפעולה המומלץ. ■ לחצו על לשון הנעילה כלפי מטה והחזיקו אותה, לאחר מכן לחצו את ההדק על מנת להפעיל את המסור החשמלי. ■ משכו את דושת הבלימה לתגובה חזקה לאחר של השרשרת לאחור אל עבר הידית הקדמית אל עמדת ההפעלה. ■ שחררו את מתג ההדק; הסירו את המסור החשמלי אות המוט המנחה מן העץ ולאחר מכן הפעילו מחדש את המסור החשמלי. ■ לחצו על המסור החשמלי אל עבר העץ, הזיזו את המסור החשמלי קדימה ואחורה על מנת להיפטר מחלקי אשפה. ■ הסירו את מארז הסוללה, לאחר מכן הסירו את המכסה הצדדי ונקו את חלקי האשפה. ■ השתמשו רק עם מארזי סוללה של OGE Ah 2.5 מסוג BA1400 ו-BA1400T. 	<ul style="list-style-type: none"> ■ מארז הסוללה איננו צמוד למסור החשמלי. ■ אין חיבור חשמלי בין המסור ומארז הסוללה. ■ טעינת מארז הסוללה ריקה. ■ מארז הסוללה או המסור החשמלי חמים מדי. ■ לשון הנעילה אינה לחוצה לפני הלחיצה על מתג ההדק. ■ בולם השרשרת פועל. ■ המסור החשמלי קשור לעץ. ■ אשפה בחרוץ המוט. ■ אשפה במכסה הצדדי. ■ נעשה שימוש במארז סוללה של hA0.4 או גבוה יותר. 	<p>המנוע איננו פועל.</p>
<ul style="list-style-type: none"> ■ הורידו את העומס. 	<ul style="list-style-type: none"> ■ ישנו עומס יתר של המסור החשמלי. ■ אפשרו לאריזת הסוללה או למסור השרשרת להתקרר עד שהטמפרטורה תרד לטווח טמפרטורת הפעולה המומלץ. ■ שחררו את מתג ההדק; הסירו את המסור החשמלי אות המוט המנחה מן העץ ולאחר מכן הפעילו מחדש את המסור החשמלי. 	<p>מסור השרשרת מפסיק באופן בלתי צפוי במהלך פעולתו.</p>

בנוסף, למוט המנחה ישנו גלגל שיניים בקצהו (איור R2). יש לשמן את גלגל השיניים מדי שבוע באמצעות מזרק חומר סיכה על מנת להאריך את חיי הפס המנחה. השתמשו במזרק שמן סיכה על מנת לשמן את השרשרת פעם בשבוע דרך חור השימון (איור R3). הפכו את הפס המנחה ובדקו שחורי השימון והשרשרת נקיים מחלקיקי אשפה.

R-1	גלגל שיניים בקצה המוט המנחה
R-2	חור שימון

הובלה ואחסון

- אל תאחסנו או תובילו את המסור החשמלי כאשר הוא פועל. הסירו תמיד את מארז הסוללה בעת אחסון או הובלה.
- הניחו תמיד את דרך השרשרת על המוט המנחה והשרשרת לפני אחסון או הובלה של המסור החשמלי. היו זהירים והימנעו ממגע עם השיניים החדות של השרשרת.
- שאו תמיד את המוצר באמצעות הידית הקדמית שלו.
- הגנו על המוצר מכל פגיעה חזקה או רטט חזק אשר עלולים להתרחש במהלך הובלה בכלי רכב.
- נקו את מסור השרשרת ביסודיות ורוקנו את מכל השמן לפני האחסון. אחסנו את המסור החשמלי בתוך הבית, במקום יבש אשר רחוק מהישג ידם של ילדים.
- הרחיקו מחומרים הגורמים לקורוזיה כגון כימיקלים לגינה ומלחים מסירי קרח.

הגנה על הסביבה

אין לזרוק ציוד חשמלי, מטעני סוללות וסוללות ביחד עם אשפה ביתית! קחו מוצרים אלו למרכז מחזור מוסמך ו-וודאו שהם זמינים לאיסוף נפרד. יש להחזיר כלים חשמליים אל מתקן מחזור המתאים לסביבה.



הסוללה מוחדרת הוא כלי שתמיד מוכן לפעולה והפעלה מקרית עלולה להתרחש.

⚠ אזהרה: בעת ניקיון המסור החשמלי, נא לא להטביל במים או בנוזלים אחרים.

⚠ אזהרה: לעולם אל תיתנו לנוזלי בלימה, בנזין, מוצרים מבוססי בנזין, שמנים וכו', לבוא במגע עם חלקי פלסטיק. חומרים כימיים עלולים להזיק, להחליש או להרוס את הפלסטיק והדבר עלול לגרום לפציעה אישית חמורה.

ניקיון

- לאחר כל שימוש נקו את השאריות מן השרשרת והמוט המנחה עם מברשת רכה. נגבו את שטח שרשרת המסור על מטלית נקייה אשר הוטבלה בתמיסת סבון עדינה.
- הסירו את המכסה הצדדי ולאחר מכן השתמשו במברשת רכה על מנת להסיר שאריות מן המוט המנחה, שרשרת המסור והמכסה הצדדי.
- נקו תמיד שאריות ענפים ועץ, נסורת ולכלוך מחריץ הפס המנחה בעת החלפת שרשרת המסור.

תחזוקה של הפס המנחה

- כאשר המוט המנחה מראה סימני בלאי, פרקו אותו מראש המתח של המסור החשמלי וסובבו אותו להרכבה מחדש (איור R1). באופן זה הבלאי יתחלק כדי למקסם את חיי המוט המנחה.
- יש לנקות את המוט בכל יום שימוש ולבדוק עליו סימני בלאי או נזק. רפידה או שרפה של מסילות המוט מהווים סימני בלאי נורמליים. כאשר אלו מתרחשים חש לשייף אותם בעזרת פצירה. יש להחליף מוט בעל אחד מן הליקויים הבאים.
- סימני בלאי בתוך מסילות המאפשר לשרשרת לעבור מעבר לצדדים.
- מוט מנחה מעוקל.
- מסילות סדוקות או שבורות.
- מסילות אשר התרחבו.

2. בצעו חתך שני מהצד העליון של הענף בצד השני של החתך הראשון. המשיכו את החתך דרך הענף עד שהענף ייפרד מהעץ. הכינו את עצמכם לאזן את משקל הכלי, ודאו שאתם מרוחקים ממנו לפני שתשלימו את החיתוך.
3. בצעו חתך סופי בסמוך לגזע.

חיתוך עליון

לפני החיתוך העליון, הסירו קליפות רופפות, מסמרים, סיכות וחוט מהעץ במקום שבו ייעשו חיתוכי החיתוך העליון.

חתך תחתני עם קשרים

עשו את הקשר 1/4 מן הקוטר של העץ, במצב ניצב לכיוון הנפילה כמתאר באיור Q. בצעו את חתך הקשר האופקי הנמוך יותר תחילה. הדבר יעזור למנוע צביטה של שרשרת המסור או של המוט המנחה כאשר מבצעים את הקשר השני.

Q-1	כיוון הנפילה	Q-3	חיתוך אחורי
Q-2	חריץ	Q-4	ציר

חיתוך אחורי

- בצעו את החיתוך האחורי באותו גובה כמו חיתוך החריצים האופקי כפי שמוצג באיור Q. שמרו על החיתוך האחורי במקביל לחיתוך החריצים האופקי. בצעו את החיתוך האחורי כך שישאר מספיק עץ על מנת שישמש כציר. עץ הציר שומר על העץ מלהתפתל ולפול בכיוון הלא נכון. אין לחתוך דרך הציר.
- ככל שהחיתוך האחורי מתקרב אל הציר, העץ אמור להתחיל את נפילתו. אם ישנו כל סיכוי שהעץ לא ייפול בכיוון הנכון או שהוא יחזור וילפף את שרשרת המסור, עצרו את החיתוך לפני השלמת החיתוך האחורי והשתמשו בטרזיז עץ, פלסטיק או אלומיניום על מנת לפתוח את החתך ולהפיל את העץ לאורך קו הנפילה הרצוי.
- כאשר הגוש מתחיל ליפול, הוציאו את המסור החשמלי מן החתך, עצרו את המנוע והפעילו את בולם השרשרת. היו זהירים מפני ענפים נופלים והביטו על הקרקע עליה אתם דורכים.

תחזוקה

⚠ אזהרה: במקרה של עבודות תיקון, השתמש רק בחלקי חילוף זהים. שימוש בחלקי חילוף אחרים עלול לגרום לסכנה מן החתך, עצרו את המנוע והפעילו את בטיחות ואמינות, יש לבצע את כל התיקונים וההחלפות בעזרת טכנאי שירות מוסמך.

⚠ אזהרה: על מנת למנוע פציעות אישיות, הסירו תמיד את מארז הסוללה מן המוצר לפני כל בדיקה, ניקיון או ביצוע כל עבודת תחזוקה. כל המנוע על ידי סוללות עם

הדר עוזר לעמוד בפני הכוחות של התגובה החזקה לאחור.

- על הגוף שלכם להיות תמיד מן הצד השמאלי של המסור החשמלי.

טכניקות חיתוך נפוצות

⚠ אזהרה: היו תמיד בטוחים בעמידה שלכם והחזיקו את המסור החשמלי בשתי הידיים בעת פעולת המנוע.

⚠ אזהרה: כאשר שרשרת המסור נעצרת כתוצאה מצביטה בעת החיתוך, שחררו את מתג ההדק; הסירו את המסור החשמלי אות המוט המנחה מן העץ ולאחר מכן הפעילו מחדש את המסור החשמלי.

⚠ אזהרה: אל תמשכו את שרשרת המסור בידיים שלכם כאשר נסורת תוחמת אותה. פציעה חמורה עלולה להתרחש אם המסור החשמלי יתחיל לפעול באופן מקרי. לחצו על המסור החשמלי אל עבר העץ, הזיזו את המסור החשמלי קדימה ואחורה על מנת להיפטר מחלקי אשפה. הסירו תמיד את מארז הסוללה לפני ניקיון. לבשו כפפות כבדות בעת הטיפול בשרשרת המסור.

⚠ אזהרה: לעולם אין להפעיל את המסור החשמלי כאשר הוא נמצא במגע עם העץ. הרשו תמיד לשרשרת להגיע למהירות המרבית לפני הנחת המסור על העץ.

⚠ אזהרה: מסור השרשרת עם ידיים עליונה זה אינו מיועד לשימוש על הקרקע, לכן מדריך זה אינו מכיל הוראות לכריתת עצים, חיתוך ענפים וחיתוך עצים.

⚠ אזהרה: ההנחיות הללו בעץ חלות על מסור שרשרת זה, שנועד במיוחד ליישומי חיתוך בעץ- על ידי אנשי מקצוע מוסמכים לשירותי עצים שהוכשרו במיוחד לכך.

⚠ אזהרה: חיתוך עליון עלול להוביל לפציעה. ההפעלה תתבצע רק על ידי אדם מאומן.

⚠ אזהרה: משתמשים בפעם הראשונה צריכים לתרגל חיתוך קורות עץ על גבי סוס מסור או עריסת קורות.

⚠ אזהרה: אל תעבדו בעצים בתנאי רוח גבוהים.

⚠ אזהרה: ודאו שעוברי אורח אינם נמצאים באזור הנפילה לפני תחילת הפעלה.

⚠ אזהרה: תמיד שמרו על עצמכם ועל הצידוד שלכם נקי מהחומר המוסר.

זהירות: ודאו שהסוללה טעונה במלואה לפני העבודה בעץ.

גיוזם (איור P)

בצעו את השלבים להלן כדי למנוע נזק לעצים או לקליפות שיחים. אין להשתמש בתנועות ניסור קדימה ואחורה.

1. בצעו חיתוך ראשוני רדוד (1/3 מקוטר הענף) על צידו התחתון של הענף סמוך לענף הראשי או לגזע.

ואת הידית האחורית עם היד הימנית.

⚠ אזהרה: כדי למנוע פציעה, השתמש תמיד במסור השרשרת כאשר יד ימין אוחת באזור האחיזה של הידית האחורית (איור L).

3. היזו את לשון הנעילה קדימה ולאחר מכן לחצו על מתג ההדק כדי להפעיל את המסור (איור L).

L-1	אזור אחיזה
-----	------------

4. שחררו את לשון הנעילה והמשיכו ללחוץ על המתג להפעלה ממושכת.

5. ככל שמתג ההדק לחוץ יותר, כך מהירות השרשרת גדולה יותר. התאימו את המהירות כך שתתאים למשימה הנוכחית.

⚠ אזהרה: אל תנסו להפעיל את המסר כאשר המסור החשמלי כבר נמצא בפעולת חיתוך.

לכיבוי

1. הרחיקו את מסור השרשרת מאזור החיתוך, ולאחר מכן שחררו את מתג ההדק כדי להפסיק את פעולתו של מסור השרשרת.

2. דחפו את דוושת הבלימה לתגובה חזקה לאחור של השרשרת לעמדת הבלימה על מנת להפעיל את בלם המסור (איור K).

⚠ אזהרה: הסירו תמיד את מארז הסוללה מן המכשיר בעת הפסקות ולאחר סיום העבודה.

אחיזה נכונה של הידיות (איור M)

- לבשו כפפות לא מחליקות לאחיזה והגנה מקסימליות.
- כאשר המסור נמצא על משטח מוצק ושטוח, החזיקו את המסור בשתי הידיים.

- איחזו תמיד את הידית הקדמית עם היד השמאלית ואת הידית האחורית עם היד הימנית.

- על האצבעות להקיף את הידית, עם האגודל מלופף סביב הידית הקדמית.

⚠ אזהרה: לעולם אין לאחוז באחיזה הפוכה (ימין במקום שמאל), או בכל אחיזה אחרת אשר תעמיד את הידיים או את חלקי הגוף שלכם בקו השרשרת.

⚠ אזהרה: אין להפעיל את מתג ההדק עם היד השמאלית שלכם ולאחוז את הידית הקדמית עם היד הימנית שלכם. לעולם אל תניחו לכל חלק של הגוף שלכם להיות בקו השרשרת בעת ההפעלה של המסור החשמלי (איור N).

עמדת חיתוך מתאימה (איור O)

- על שתי הרגליים להיות על קרקע מוצקה, כאשר המשקל מאוזן על שתייהן.

- על הזרוע הימנית להיות ישרה, עם המרפק נעול.

שלא ייכנס לכלוך לתוך מיכל השמן.

3. הרימו את הלוחית בצורת חצי עיגול וסובבו את מסכה מיכל השמן נגד כיוון השעון כדי להסירו (איור H).

4. מזגו בזהירות את שמן המוט והשרשרת לתוך המיכל. מלאו עד לחלק התחתון של צוואר המילוי.

5. נקו כל שמן אשר נשפך והניחו מחדש את המסכה.

הודעה: בדקו את מפלס השמן באופן קבוע ומלאו אותו כאשר מפלס השמן יורד אל מתחת לסימון קו המינימום. לעולם אל תפעילו את המסור החשמלי אם לא ניתן לראות את השמן.

שימוש בעינית השרוך (איור H)

⚠ אזהרה: כסו תמיד את שרשרת המסור ואת המוט המנחה עם כיסוי שרשרת כאשר אתם תולים את מסור השרשרת על חגורת הכלים. שרשרת המסור חדה ועלולה לגרום לפגיעות חמורות.

⚠ אזהרה: ודאו שהרצועה חזקה מספיק כדי לתמוך במשקל המשולב של מסור השרשרת ומארז הסוללה. פציעות חמורות ונזק לרכוש עשויים להתרחש אם מסור השרשרת ייפול.

הצמדה/הסרה של מארז הסוללה

יש להשתמש רק במארזי הסוללה והמתענים של EGO המפורטים באיור A2.
יש לבצע הטענה מלאה לפני השימוש הראשון.

על מנת להצמיד

יישרו את עורקי הסוללה עם חריצי ההרכבה ולחצו את מארז הסוללה כלפי מטה עד הישמע „קליק” (איור I).

הסרה

לחצו על כפתור שחרור הסוללה והוציאו את מארז הסוללה (איור J).

⚠ אזהרה: כדי לשמור על איזון נוח במהלך החיתוך, אנה השתמשו רק עם מארז הסוללה BA1400/BA1400T.

הפעלה/כיבוי של המסור החשמלי

הודעה: לפני הפעלה של המסור החשמלי, בדקו את רמת השמן, את מתח השרשרת, את חדות שיני השרשרת ועבודה מתאימה של דוושת הבלימה לתגובה חזקה לאחור. בנוסף, יש צורך בעמידה מוצקה והמרחק מתאים מן הקרקע.

על מנת להפעיל (איור K)

1. משכו את דוושת בלם התגובה החזקה לאחור של השרשרת אל עבר הידית הקדמית אל עמדת ההפעלה (איור K).

2. איחזו בחוזקה את הידית הקדמית עם היד השמאלית.

ההלכה יהיו תלויים בערך 2-1 מ"מ מחוץ לחרוץ המוט (איור G).

הודעה: שרשראות חדשות נטוות להימתח; בדקו את מתח השרשרת בתדירות גבוהה ומתחו בעת הצורך.

הודעה: שרשרת אשר נמתחה בעודה חמה עלולה להיות מתוחה מדי כאשר היא מתקרר. בדקו את המתח הקר לפני השימוש.

הפעלה

⚠ אזהרה: אל תניח לעובדה שאתה מכיר את המוצר להפוך אותך לפחות זהיר. זכור שחוסר זהירות של שביר אחד של שנייה מספיק כדי לגרום לפגיעה אישית חמורה.

⚠ אזהרה: אין לעשות שימוש בחיבורים או אביזרים אשר לא הומלצו על ידי יצרן מוצר זה. השימוש בחיבורים או אביזרים אשר לא הומלצו עלול לגרום לפגיעה חמורה.

⚠ אזהרה: על מנת למנוע הפעלה מקרית אשר עלולה להוביל לפגיעה אישית חמורה, הסירו תמיד את מארז הסוללה מן המכשיר בעת הרכבת חלקים, ביצוע התאמות, ניקיון או כאשר המכשיר איננו נמצא בשימוש.

לפני כל שימוש, יש לבדוק את כל המוצר עבור חלקים ניזוקים, משוחררים או חסרים, כגון ברגים, אומים, בריחים, מכסים וכו'. הדקו בבטחה את כל האבזמים והמכסים ואל תפעילו את המוצר עד אשר חלקים חסרים או ניזוקים תוקנו או הוחלפו.

יישומים

אתם יכולים להשתמש במוצר זה עבור יישומים בסיסיים של חיתוך בעץ.

⚠ אזהרה: אל תפעילו את מסור השרשרת הזה בעץ אלא אם כן הוכשרתם לכך במיוחד. הפעלת של מסור שרשרת בעץ ללא הכשרה מתאימה עלולה להגדיל את הסיכון לפגיעה אישית חמורה.

הודעה: יש להשתמש במכשיר רק עבור המטרות להן הוא יועד. כל שימוש אחר ייחשב לשימוש בלתי הולם.

מילוי ושימון השרשרת

⚠ אזהרה: נא לא לעשן או לגרום לאש או להבה ליד שמן המסור החשמלי. שמן שנשפך עלול לגרום לשרפה.

הודעה: בעת הרכישה המסור החשמלי איננו מלא בשמן. חשוב מאוד למלא את השמן לפני השימוש. השרשרת משומנת באופן אוטומטי עם שמן שרשרת בעת ההפעלה, אם יש מספיק שמן במכל השמן.

1. הניחו את המסור החשמלי על צידו כאשר מכסה המכל פונה כלפי מעלה.
2. נקו את מיכל השמן ואת האזור סביבו כדי להבטיח

המוט המנחה (איור D).

6. החזיקו את השרשרת במקומה על גבי המוט המנחה ומקמו את הלולאה מסביב לגלגל השיניים של המסור (איור E1).

D-1	קישורי הנעת שרשרת	E-2	גלילי יישור
D-2	חרוץ הפס המנחה	E-3	יתד מתיחה
E-1	גלגל שיניים מניע	E-4	בורג הידוק

הודעה: כאשר מעבירים את מסור השרשרת בלולאה אל המוט המנחה, ודאו כי לאחר הרכבת המוט המנחה על המסור אתם מתאמים את כיוון החותך עם חץ כיוון היסובוב על מארז המסור (איור E1). אם הם פונים בכיוונים מנוגדים, הרכיבו מחדש את שרשרת המסור על הפס המנחה כשהלהבים פונים לאותו כיוון (איור E2).

7. הניחו את המוט המנחה על משטח ההתקנה על ידי החלקת חריצי המוט המנחה על פני גלילי היישור. ודאו שהמוט המנחה ממוקם כראוי מעל בורג הידוק ופין המתיחה.

8. הניחו חזרה את המכסה הצדדי על מארז המסור (איור E3) והדקו לגמרי את אום הנעילה.

הודעה: במהלך הרכבה ותחזוקה, לוח המתכת מתחת למוט המנחה (איור F) עשוי לקפוע. אם הדבר קורה, נקו היטב את המרווח בין חלק המתכתני הזה לבין המארז ודחפו את לוח המתכת חזרה כך שהוא **שווה בגובהו למארז**. חוסר ניקיון ומיקום מתאים של לוח המתכת יגרמו לטטייה של המוט המנחה.

9. סובבו את השרשרת באופן ידני כדי לבדוק אם היא מורכבת כהלכה ללא כפיתה. אחרת, הרכיבו מחדש את השרשרת והמוט.

הודעה: על מנת להאריך את חיי המוט המנחה, הפכו אותו מעת לעת.

כוננו מתח השרשרת

- עצרו את המנוע והסירו את מארז הסוללה לפני כוננו מתח השרשרת. סובבו את בורג המתיחה בכיוון השעון או נגד כיוון השעון כדי לכוננו את מתח השרשרת (איור F) עד שהשרשרת מתיישרת בחוזקה כנגד המוט המנחה עם חוליות ההנעה בחרוץ המוט המנחה.
- שרשרת קרה מתוחה כראוי כאשר אין שום חלק רפוי בחלק התחתון של המוט המנחה והשרשרת מהודקת, אך ניתן לסובב אותה ביד מבלי לגרום לליפוף. יש למתוח מחדש את השרשרת כאשר המשטחים על קישורי ההנעה אינם יושבים בתוך חרוץ המוט.
- בעת פעולה רגילה של המסור, טמפרטורת המסור תעלה. קישורי ההנעה של שרשרת חמה המתוחה

רשימת אריזה (איור A1)

מפרטים

תיאור

הכירו את המסור החשמלי שלכם (איור A1)

1. מוט מנחה
2. שרשרת מסור
3. דוושית הבלימה לתגובה חזקה לאחור של השרשרת
4. ידית אחורית
5. ידית קדמית
6. חלון לבדיקת שמן
7. מכסה מיכל שמן
8. לשון נעילה
9. מתג הדק
10. כפתור שחרור סוללה
11. מכסה צדדי
12. אום מוט
13. בורג מתיחה
14. חור שימון
15. נדן שרשרת
16. מתלה שרוך
17. מברג משולב

הרכבה

הרכבה/החלפה של המוט והשרשרת

⚠ אזהרה: לפני ביצוע כל הרכבה או תחזוקה, ודאו כי מארז הסוללה הוסר. אי ציות להוראה זו עלול להביא לפציעה אישית חמורה.

⚠ אזהרה: כווננו את דוושית הבלימה לתגובה חזקה לאחור של השרשרת אל מצב הבלימה לפני ההרכבה.

⚠ אזהרה: לבשו תמיד כפפות בעת הטיפול במוט ובשרשרת; רכיבים אלו חדים ועלולים לכלול חלקים מחוספסים.

1. הניחו את ראש המתח של המסור החשמלי על צידו כאשר המכסה הצדדי פונה כלפי מעלה (איור B).
2. הסירו את המכסה הצדדי על ידי סיבוב אום הנעילה נגד כיוון השעון.
3. סובבו את בורג המתיחה נגד כיוון השעון כדי לשחרר את מתח השרשרת.
4. הניחו את שרשרת המסור בלולאה על משטח שטוח ויישרו כל עיקול (איור C).
5. הניחו את קישורי ההנעה של השרשרת אל חריץ המוט המנחה ועשו מן השרשרת לולאה בצידו האחורי של

מתח מדורג	56V	
מקסימום מהירות שרשרת	20 מ'/שנייה	
צובט שרשרת	1/4 אינץ' (6.4 מ"מ)	
מד שרשרת	1.1 מ"מ	
אורך מוט מנחה	300 מ"מ	
דגם מסור שרשרת	AC1204Q (מומלץ)	
	AC1000Q (תואם)	
דגם מוט מנחה	AG1000Q (תואם)	
	AK1204Q (מומלץ)	
ערכת שרשרת ודגם ערכת מוט		
קיבולת מיכל השמן של השרשרת	150 מ"ל	
משקל (ללא מארז סוללה, שרשרת מסור, מוט מכונן, כיסוי צד, שמן נדן שרשרת)	1.9 ק"ג	
טמפרטורת הפעלה מומלצת	15°C עד 40°C	
טמפרטורת אחסון מומלצת	20°C עד 70°C	
טמפרטורת טעינה מומלצת	5°C עד 40°C	
רמת עוצמת קול נמדדת L_{WA}	97 dB(A) 3.6=K dB(A)	
רמת לחץ קול בעמדת עבודה L_{PA}	89 dB(A) 3=K dB(A)	
רמת עוצמת קול מובטחת L_{WA} (בהתאם ל-EC/2000/14)	101 dB(A)	
רטט a_h	ידית קדמית	2.6 מ'/שנייה ² K = 1.5 מ'/שנייה ²
	ידית אחורית	2.05 מ'/שנייה ² K = 1.5 מ'/שנייה ²

- ערך הרטט הכללי המוצהר נמדד בהתאם לשיטת בדיקה סטנדרטית וניתן להשתמש בו על מנת להשוות ציוד אחד עם ציוד אחר;
- ניתן להשתמש בערך הרטט הכללי המוצהר בהערכה ראשונית של חשיפה.

הודעה: פליטת הרטט בעת השימוש המעשי בכלי יכולה להיות שונה מן הערך המוצהר כאשר הכלי נמצא בשימוש; על מנת להגן על המפעיל, על המשתמש ללבוש כפפות ומגני אוזניים בעת השימוש למעשה.

קראו את כל ההוראות!

קראו את מדריך ההוראות

אזהרה: על מנת להבטיח בטיחות ואמינות, יש לבצע את כל התיקונים וההחלפות בעזרת טכנאי שירות מוסמך.
אזהרה: דואו שאתם קוראים ומבינים את כל ההוראות הבטיחות המופיעות במדריך זה למשתמש, כולל את כל סימני התראות הבטיחות כגון „סכנה“, „אזהרה“ ו-„זהירות“ לפני השימוש במכשיר זה. אי מילוי אחר כל ההוראות המופיעות למטה יכול לגרום להלם חשמלי, שרפה ו/או פציעות אישיות חמורות.

שימרו את כל האזהרות וההוראות לעיון עתידי.

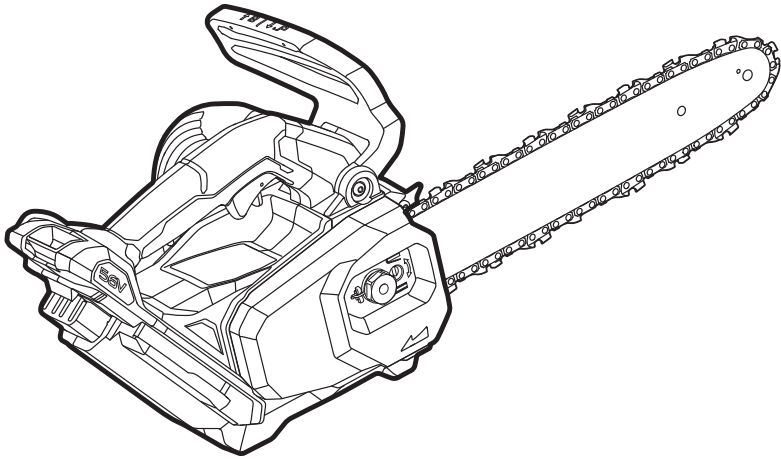
סמלי בטיחות

אזהרה: הפעלה של כל מכשיר עלולה לגרום לעצמים זרים להיזרק אל תוך העיניים, דבר העלול לגרום לנזק חמור לעיניים. לפני ההפעלה של כלי עבודה חשמלי, ענדו תמיד משקפי מגן או משקפי בטיחות עם הגנה צדדית, ובעת הצורך, הגנה עבור כל הפנים. אנו ממליצים על שימוש במסכת בטיחות רחבה מעל למשקפי המגן או על שימוש במשקפי בטיחות עם הגנה צדדית.

<p>על מנת להפחית את הסיכון לפציעות, על המשתמש לקרוא ולהבין את המדריך למשתמש לפני השימוש במוצר זה.</p>		<p>התראת בטיחות </p>
<p>לבשו מגני אוזניים</p>		<p>לבשו מגני עיניים </p>
<p>לבשו כפפות מגן</p>		<p>לבשו מגני ראש </p>
<p>השתמשו תמיד במסור החשמלי בשתי הידיים</p>		<p>תגובה חזקה לאחור של קצה המוט המנחה </p>
<p>פרטי המוט המנחה</p>		<p>הזהרו מתגובה חזקה לאחור של המסור החשמלי והימנעו ממגע עם קצה המוט </p>
<p>אין לזרוק מוצרים חשמליים עם האשפה הביתית. יש להביא את המכשיר למרכז מחזור מוסמך.</p>		<p>רמת עוצמת קול מובטחת. פליטת רעש אל הסביבה בהתאם לתקנת האיחוד האירופי. </p>
<p>מוצר זה תואם לחוקים הרלוונטיים בבריטניה.</p>		<p>מוצר זה תואם לתקנות ה-CE הרלוונטיות. </p>
<p>הגנה מפני התזת מים</p>	<p>IPX4</p>	<p>זרם ישיר </p>
<p>מהירות ללא עומס</p> <p>לדקה/דקות</p>	<p>n_0</p> <p>דקות/..</p>	<p>מ"מ</p> <p>מתח</p>

EGO™

POWER⁺ TOP HANDLE CHAIN SAW



CS1200E

HE מסור שרשרת אלחוטי עם ידית עליונה וסוללת ליתיום-יון 56 וולט

AR منشار سلسلي لاسلكي بمقبض علوي وبطارية ليثيوم-أيون 56 فولت

