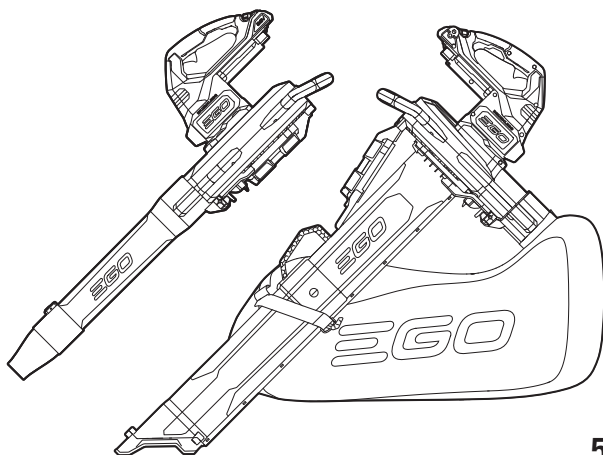


EGO™

POWER⁺ BLOWER VACUUM

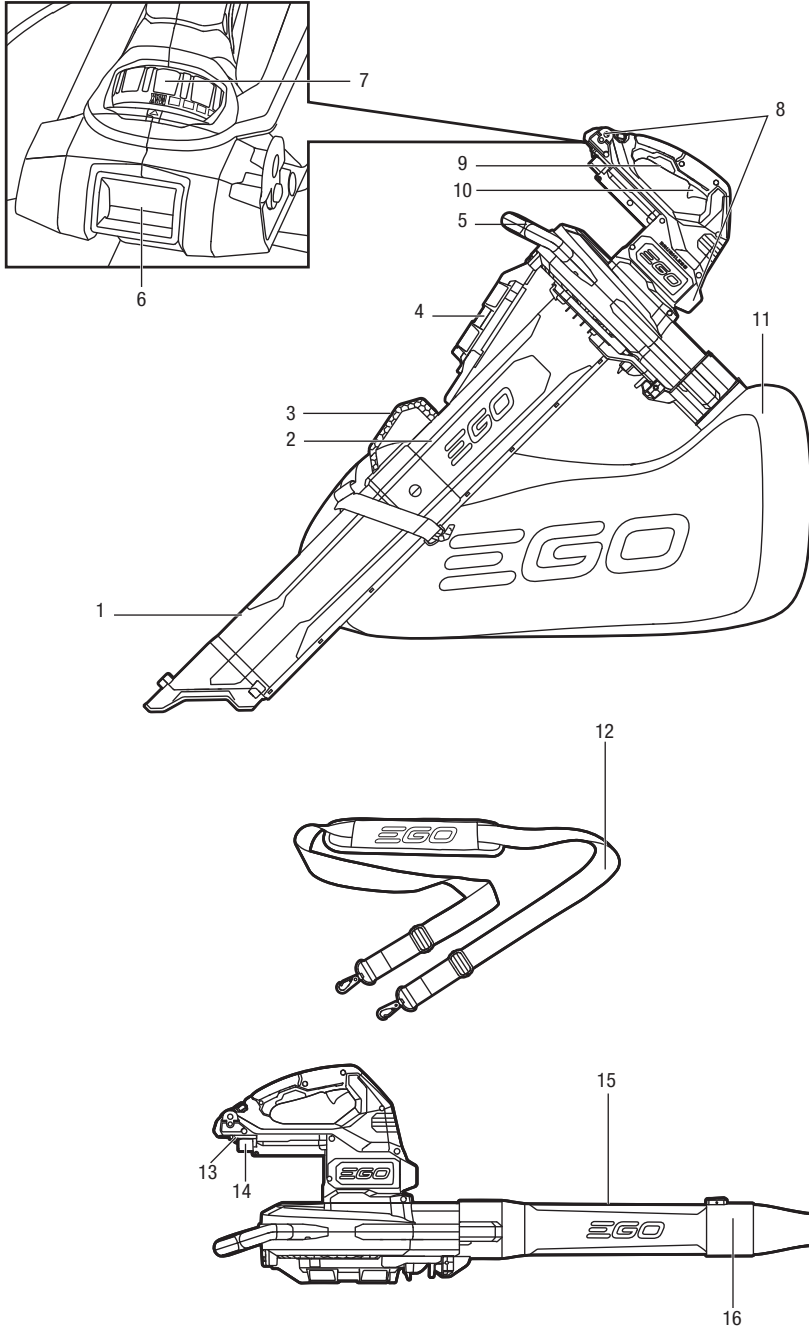


LV5000E

56 VOLT LITHIUM-ION CORDLESS LEAF BLOWER VACUUM

EN	56 Volt Lithium-Ion Cordless Leaf Blower Vacuum	8	SL	56-voltni litij-ionski brezžični puhalnik in sesalnik	184
DE	56 volt lithium-ionen-akku-laubbläser/-sauger	18	LT	Belaidis lapų pūstuvass su 56 voltų ličio jonų baterija	194
FR	Aspirateur souffleur de feuilles sans fil lithium-ion 56 volts	29	LV	56 voltu litija jonu bezvadu lapu pūtējs un sūcējs	204
ES	Aspirador soplador de hojas inalámbrico de 56 voltios con batería de iones de litio	40	GR	Φυσητήρας - αναρροφητήρας φυλλων μπαταριας λιθιου - ιοντων 56 volt	214
PT	Aspirador soprador de folhas sem fios de ião de lítio de 56 volts	51	TR	56 volt lityum iyon akülü yaprak üfleme makinesi/süpürgesi	225
IT	Aspiratore/soffiatore cordless li-ion 56 volt	61	ET	56-voldise litiumioonakuga juhtmeta leheimur	235
NL	56 volt lithium-ion accu-bladblazer-/zuiger	72	UK	Повітрядувка для листя з 56-вольтним літій-іонним акумулятором	245
DK	56 volt lithium-ion batteridrevet løvblæser- og suger	82	BG	56 волта литиево-йонна безкабелна въздуходувка прахосмукачка	256
SE	56 volts litium-jon sladdlös lövblås med dammsugare	92	HR	Puhalo i usisavač za lišće s 56 voltnom litij-ionskom baterijom	267
FI	56 voltin litium-ioniakulla toimiva lehti puhallin-imuri	102	KA	56 ვოლტი ლითიუმ-იონის უსადენო ფოთლის საბერველს	277
NO	56 volt lithium-ion trådløs løvbløser vakuum	112	SR	Bežični duvač i usisivač lišća sa litijum-jonskom baterijom od 56 volti	288
RU	Беспроводная воздуходувка-пылесос с литий-ионным аккумулятором 56 в	122	BS	Akumulatorski puhač lišća sa usisivačem i litij-ionskom baterijom od 56 v	298
PL	Bezprzewodowy odkurzacz/dmuchawa do liści z akumulatorem litowo-jonowym 56 woltów	133	HE	שוואב מפוח אלחוטי עם סוללת ליתיום-יון 56 וולט	327
CZ	56 v lithium-iontový akumulátorový foukač na listí	144	AR	منفاخ (بلاور) مكثسة لاسلكي لورق الشجر بطارية ليثيوم-أيون 56 فولت	318
SK	56 v lítium-iónový akumulátorový vysávač a dúchadlo na listie	154			
HU	56 voltos lítium-ions, vezeték nélküli lombfúvó porszívó	164			
RO	Sulfantă aspirator de frunze fără fir lithium-ion de 56 de voltj	174			

A1

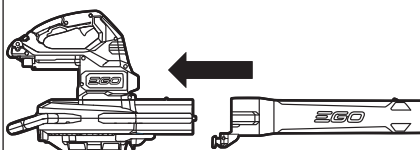
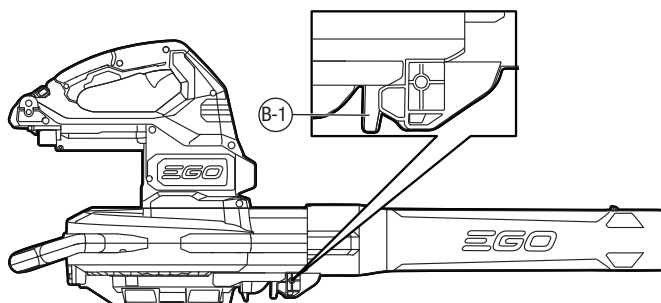
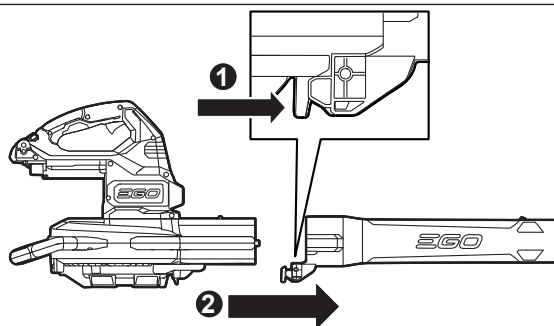
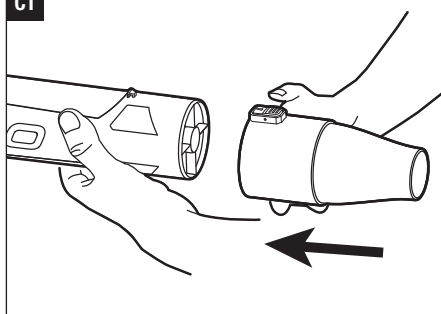
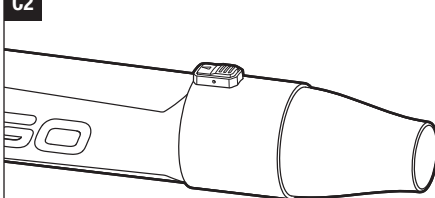


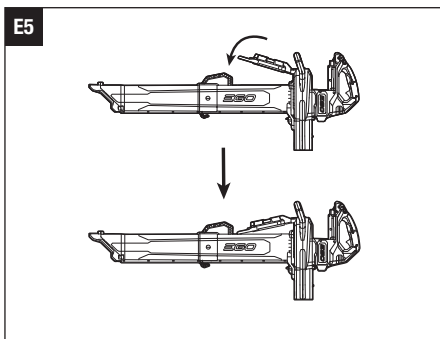
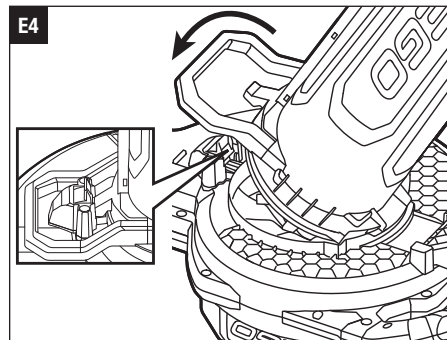
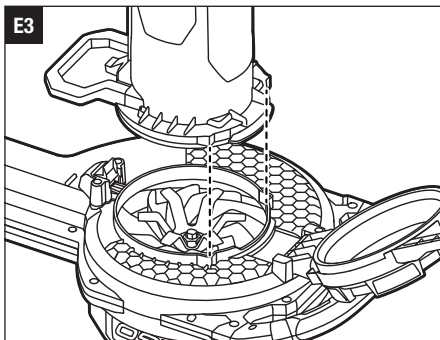
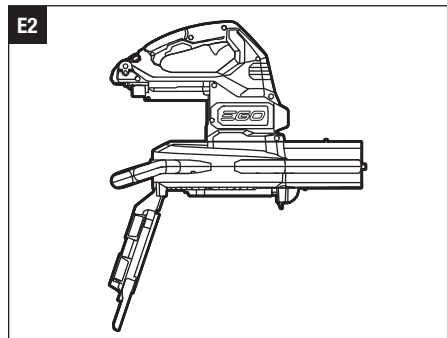
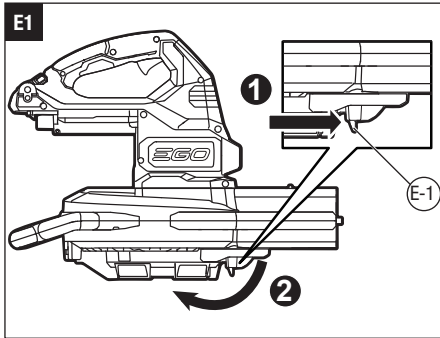
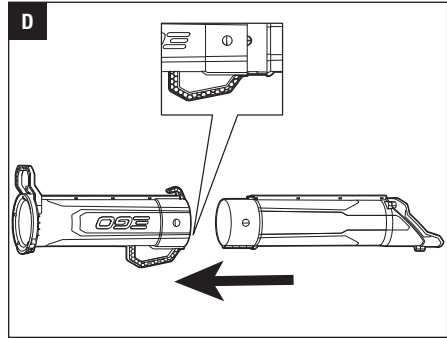
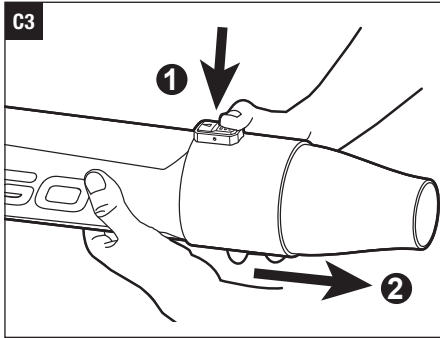
A2

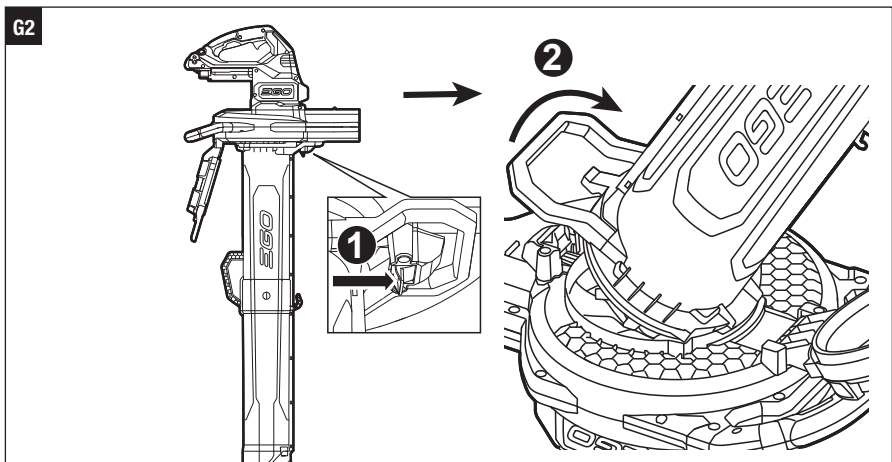
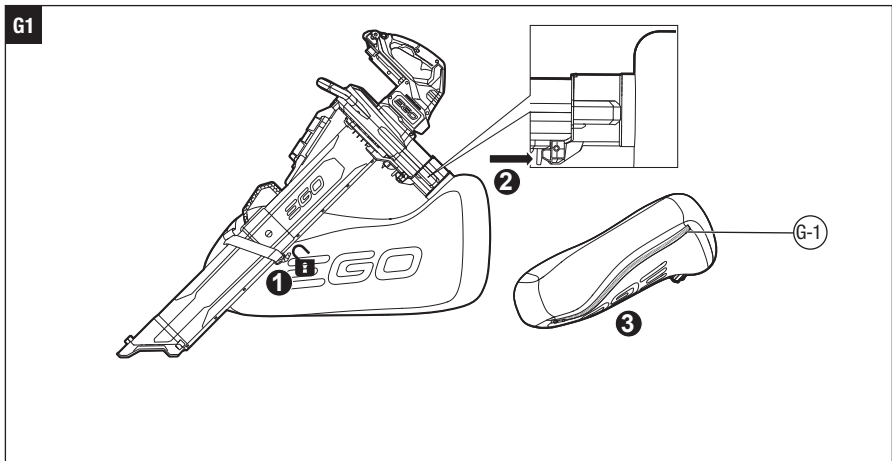
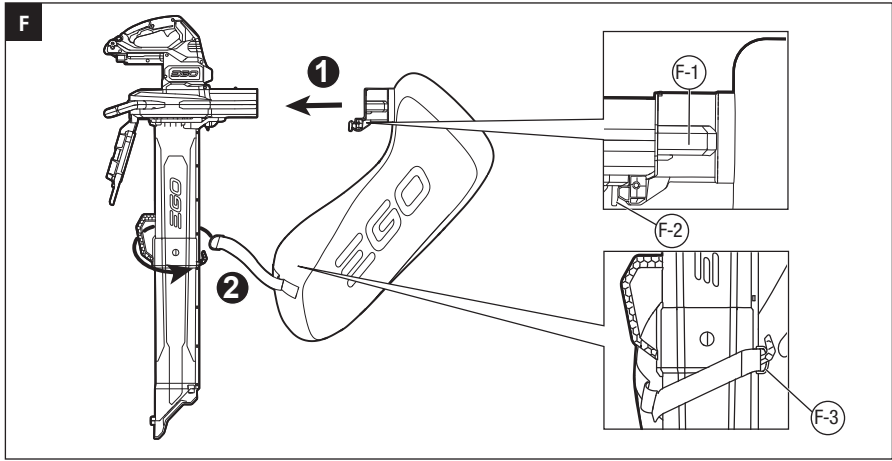
BA1400, BA2800,
BA4200, BA1400T,
BA2240T, BA2242T,
BA2800T, BA3360T,
BA4200T, BA4480X
BA5600T, BA6720T



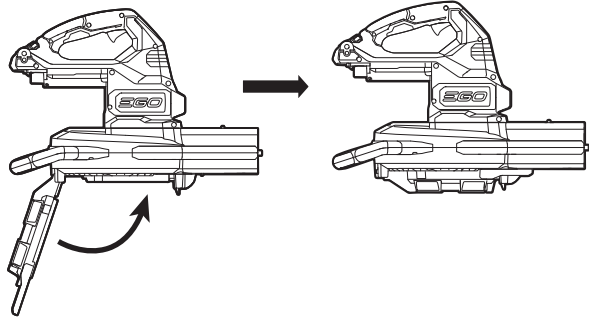
CH2100E, CH3200E,
CH5500E, CH7000E,
CH7000E-T

**B1****B2****B3****C1****C2**

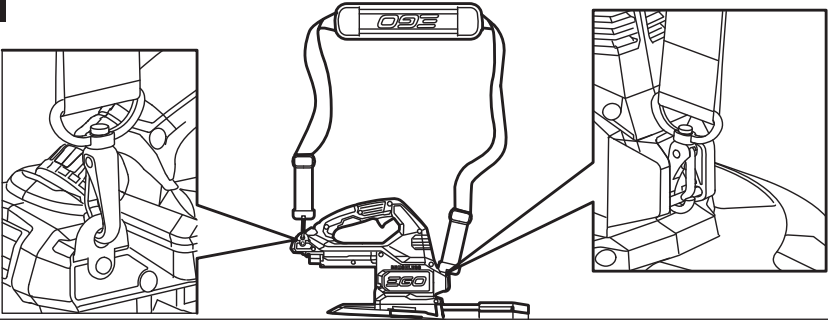




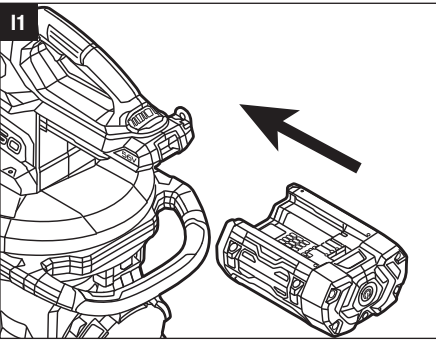
G3



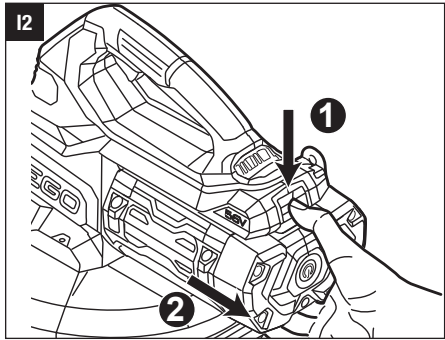
H



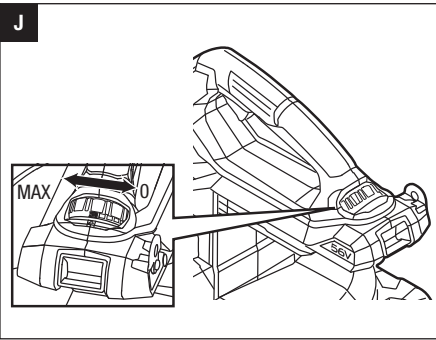
I1



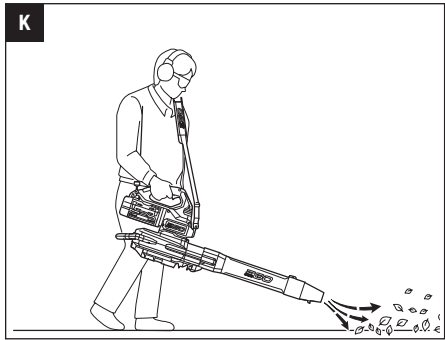
I2



J



K





EGO Europe GmbH
Autenbachstraße 11, 71711 Steinheim an der Murr, Germany
Chervon Europe Ltd
The Anchorage, 34 Bridge Street Reading, RG1 2LU, United Kingdom

EN READ ALL INSTRUCTIONS!



READ OPERATOR'S MANUAL

- ⚠ WARNING:** To ensure safety and reliability, all repairs should be performed by a qualified service technician.
- ⚠ WARNING:** Be sure to read and understand all safety instructions in this Operator's Manual, including all safety alert symbols such as "DANGER," "WARNING," and "CAUTION" before using this tool. Failure to follow all instructions listed below may result in electric shock, fire, and/or serious personal injury.

SAVE ALL WARNINGS AND INSTRUCTIONS FOR FUTURE REFERENCE.

SAFETY SYMBOLS

⚠ WARNING: The operation of any power tools can result in foreign objects being thrown into your eyes, which can result in severe eye damage. Before beginning power tool operation, always wear safety goggles or safety glasses with side shields and a full face shield when needed. We recommend a Wide Vision Safety Mask for use over eyeglasses or standard safety glasses with side shields.



Safety Alert



To reduce the risk of injury, user must read and understand operator's manual before using this product.



Always wear ear protection and eye protection when operating this product.



Keep all bystanders at least 15m away.



Guaranteed sound power level. Noise emission to the environment according to the European community's Directive.



This product is in accordance with applicable EC directives.



Waste electrical products should not be disposed of with household waste. Take to an authorized recycler.



This product is in accordance with applicable UK legislation.



Direct Current

IPX4

Protection From Splashing Water

V

Voltage

./min

Per Minute

mm

Millimeter

n_0

No Load Speed

GENERAL MACHINE SAFETY WARNINGS

⚠ WARNING: READ ALL SAFETY WARNINGS, INSTRUCTIONS, ILLUSTRATIONS AND SPECIFICATIONS PROVIDED WITH THIS MACHINE. Failure to follow all instructions listed below may result in electric shock, fire and/or serious injury.

SAVE ALL WARNINGS AND INSTRUCTIONS FOR FUTURE REFERENCE.

The term “machine” in the warnings refers to your mains-operated (corded) machine or battery-operated (cordless) machine.

WORK AREA SAFETY

- **Keep work area clean and well lit.** Cluttered or dark areas invite accidents.
- **Do not operate machines in explosive atmospheres, such as in the presence of flammable liquids, gases or dust.** Machines create sparks which may ignite the dust or fumes.
- **Keep children and bystanders away while operating a machine.** Distractions can cause you to lose control.

ELECTRICAL SAFETY

- **Machine plugs must match the outlet. Never modify the plug in any way. Do not use any adapter plugs with earthed (grounded) machines.** Unmodified plugs and matching outlets will reduce risk of electric shock.
- **Avoid body contact with earthed or grounded surfaces, such as pipes, radiators, ranges and refrigerators.** There is an increased risk of electric shock if your body is earthed or grounded.
- **Do not expose machines to rain or wet conditions.** Water entering a machine will increase the risk of electric shock.
- **Do not abuse the cord. Never use the cord for carrying, pulling or unplugging the machine. Keep cord away from heat, oil, sharp edges or moving parts.** Damaged or entangled cords increase the risk of electric shock.
- **When operating a machine outdoors, use an extension cord suitable for outdoor use.** Use of a cord suitable for outdoor use reduces the risk of electric shock.
- **If operating a machine in a damp location is unavoidable, use a Ground-fault circuit interrupter protected supply.** Use of GFCI reduces the risk of electric shock.

PERSONAL SAFETY

- **Stay alert, watch what you are doing and use common sense when operating a machine. Do not use a machine while you are tired or under the influence of drugs, alcohol medication.** A moment of inattention while operating machines may result in serious personal injury.
- **Use personal protective equipment. Always wear eye protection.** Protective equipment such as a dust mask, non-skid safety shoes, hard hat or hearing protection used for appropriate conditions will reduce personal injuries.
- **Prevent unintentional starting. Ensure the switch is in the off-position before connecting to power source and/or battery pack, picking up or carrying the machine.** Carrying machines with your finger on the switch or energizing machines that have the switch on invites accidents.
- **Remove any adjusting key or wrench before turning the machine on.** A wrench or a key left attached to a rotating part of the machine may result in personal injury.
- **Do not overreach. Keep proper footing and balance at all times.** This enables better control of the machine in unexpected situations.
- **Dress properly. Do not wear loose clothing or jewellery. Keep your hair, clothing away from moving parts.** Loose clothes, jewellery or long hair can be caught in moving parts.
- **If devices are provided for the connection of dust extraction and collection facilities, ensure these are connected and properly used.** Use of dust devices can reduce dust-related hazards.
- **Do not let familiarity gained from frequent use of machines allow you to become complacent and ignore machine safety principles.** A careless action can cause severe injury with a fraction of a second.

MACHINE USE AND CARE

- **Do not force the machine. Use the correct machine for your application.** The correct machine will do the job better and safer at the rate for which it was designed.
- **Do not use the machine if the switch does not turn it on and off.** Any machine that cannot be controlled with the switch is dangerous and must be repaired.

- **Disconnect the plug from the power source and/or the battery pack from the machine before making any adjustments, changing accessories, or storing machines.** Such preventive safety measures reduce the risk of starting the machine accidentally.
- **Store idle machines out of the reach of children and do not allow persons unfamiliar with the machine or these instructions to operate the machine.** Machines are dangerous in the hands of untrained users.
- **Maintain machines and accessories. Check for misalignment or binding of moving parts, breakage of parts and any other condition that may affect the machines operation. If damaged, have the machine repaired before use.** Many accidents are caused by poorly maintained machines.
- **Keep cutting machines sharp and clean.** Properly maintained cutting machines with sharp cutting edges are less likely to bind and are easier to control.
- **Use the machine, accessories and machine bits etc. in accordance with these instructions, taking into account the working conditions and the work to be performed.** Use of the machine for operations different from those intended could result in a hazardous situation.
- **Keep handles and grasping surfaces dry, clean and free from oil and grease.** Slippery handles and grasping surfaces do not allow for safe handling and control of the machine in unexpected situations.

BATTERY MACHINE USE AND CARE

- **Recharge only with the charger specified by the manufacturer.** A charger that is suitable for one type of battery pack may create a risk of fire when used with another battery pack.
- **Use machines only with specifically designated battery packs.** Use of any other battery packs may create a risk of injury and fire.
- **When battery pack is not in use, keep it away from other metal objects, like paper clips, coins, keys, nails, screws or other small metal objects, that can make a connection from one terminal to another.** Shorting the battery terminals together may cause burns or a fire.
- **Under abusive conditions, liquid may be ejected from the battery; avoid contact. If contact accidentally occurs, flush with water. If liquid contacts eyes, additionally seek medical help.** Liquid ejected from the battery may cause irritation or burns.
- **Do not use a battery pack or machine that is damaged or modified.** Damaged or modified batteries may exhibit unpredictable behavior resulting in fire, explosion or risk of injury.
- **Do not expose a battery pack or machine to fire or excessive temperature.** Exposure to fire or temperature above 130°C may cause explosion.
- **Follow all charging instructions and do not charge the battery pack or machine outside the temperature range specified in the instructions.** Charging improperly or at temperatures outside the specified range may damage the battery and increase the risk of fire.

SERVICE

- **Have your machine serviced by a qualified repair person using only identical replacement parts.** This will ensure that the safety of the machine is maintained.
- **Never service damaged battery packs.** Service of battery packs should only be performed by the manufacturer or authorized service providers.

BLOWER/VACUUM SAFETY WARNINGS

- **Do not use the machine in bad weather conditions, especially when there is a risk of lightning.** This decreases the risk of being struck by lightning.
- **Check the debris collector frequently for wear or deterioration.** A worn or damaged debris collector may increase the risk of personal injury.
- **Wear eye protection and ear protection.** Adequate protective equipment will reduce the risk of personal injury.
- **While operating the machine, always wear non-slip and protective footwear. Do not operate the machine when barefoot or wearing open sandals.** This reduces the risk of injury to the feet.
- **Do not wear loose fitting clothing or articles such as scarves, strings, chains, ties, etc., that could get drawn into the air inlets.** Tie back or cover long hair to make sure it does not get drawn into the air inlets. If any of these items are drawn into the air inlets, it can increase the risk of personal injury.
- **Keep bystanders away while operating the machine.** Thrown debris can increase the risk of personal injury.

- **Do not use in vacuum mode without the debris collector in place.** Thrown objects can increase the risk of personal injury.
- **Never point the blower nozzle in the direction of people or pets or in the direction of windows. Use extra caution when blowing debris near solid objects, such as trees, automobiles and walls that can cause debris to ricochet.** Thrown objects can damage property and increase the risk of personal injury.
- **Do not use the machine to pick up or blow anything that is burning or smoking, such as cigarettes, matches or hot ashes.** These ignition sources may increase the risk of fire.
- **Do not vacuum water or other liquids or immerse any part of the machine in liquid.** Water entering the machine may increase the risk of electric shock.
- **Do not vacuum stones, gravel, metal or broken glass.** The fan wheel can get damaged and may increase the risk of personal injury.
- **Do not touch the fan while still in motion. Turn off the machine and wait until the fan stops before removing any part that may give access to the fan.** This reduces the risk of injury from moving parts.
- **When clearing jammed material or servicing the machine, make sure the power switch is off.** Unexpected starting of the machine while clearing jammed material or servicing may result in serious personal injury.

READ ALL INSTRUCTIONS BEFORE USING THIS PRODUCT!

TRAINING

- **Never allow children, persons with reduced physical, sensory or mental capabilities or lack of experience and knowledge or people unfamiliar with these instructions to use the machine.**
- **The operator or user is responsible for accidents or hazards occurring to other people or their property.**

PREPARATION

- **The machine may be used in the rain or wet conditions. Dry the machine after finishing work.**
- **Before using, check the batteries or battery packs for damage.** Do not use the appliance if the batteries or battery pack is damaged.

OPERATION

- **The machine may be used in the rain or wet conditions. Dry the machine after finishing work.**
- **Disconnect the batteries or battery packs:**
 1. Whenever you leave the machine;
 2. Before clearing a blockage;
 3. Before checking, cleaning or working on the appliance;
 4. If the appliance starts to vibrate abnormally.
- **Always be sure of your footing on slopes.**
- **Walk, never run.**
- **Keep all cooling air inlets clear of debris.**
- **Recommendation to operate the machine only at reasonable hours – not early in the morning or late at night when people might be disturbed.**
- **Recommendation to slightly dampen surfaces in dusty conditions or use mister attachment.**

⚠ WARNING: Danger of rotating parts!

- **Use the full machine nozzle extension so the air stream can work close to the ground.**
- **Not to operate the machine near open windows, etc.**

MAINTENANCE AND STORAGE

- **Keep all nuts, bolts and screws tight to be sure the appliance is in safe working condition.**
- **Replace worn or damaged parts.**
- **Use only genuine replacement parts and accessories.**
- **Store the appliance only in a dry place.**

⚠ WARNING: To reduce risk of fire, electric shock, or injury:

IMPORTANT

READ CAREFULLY BEFORE USE.

KEEP FOR FUTURE REFERENCE.

- **Do not allow the machine to be used as a toy. Close attention is necessary when used by or near children.**
- **If the machine is not working as it should, has been dropped, damaged, or dropped into water, return it to a service center.**

- Do not put any object into any openings. Do not use with any opening blocked; keep openings free of dust, lint, hair, and anything that may reduce air flow.
- Use extra care when cleaning on stairs.
- Do not leave machine unattended when the battery Plug is inserted. Remove the battery when the machine is not in use and before servicing.
- Do not handle the charger, including charger plug, or charger terminals with wet hands.
- Do not charge the battery pack outdoors.

⚠ WARNING:

- The battery pack must be removed from the appliance before it is scrapped.
- The battery shall be disposed of safely.

- **DO NOT** attempt to clear clogs from the unit without first removing the battery.
- **Keep the machine and its handle dry, clean and free from oil and grease.** Always use a clean cloth when cleaning. Never use brake fluids, gasoline, petroleum based products, or any strong solvents to clean your machine. Following this rule will reduce the risk of loss of control and deterioration of the enclosure plastic.
- **Batteries can explode in the presence of a source of ignition, such as a pilot light.** To reduce the risk of serious personal injury, never use any cordless product in the presence of an open flame. An exploded battery can propel debris and chemicals. If exposed, flush with water immediately.
- **Never run the unit without the proper equipment attached.** Always ensure that the machine tube is installed.
- **Never use the machine near fires or hot ashes.** Use near fires or ashes can spread fires and result in serious injury and/or property damage.
- **Never use machine to spread chemicals, fertilizers, or any other toxic substances.** Spreading these substances could result in serious injury to the operator or bystanders.
- **Save these instructions.** Refer to them frequently and use them to instruct others who may use this machine. If you loan this machine to someone else, also loan these instructions to them to prevent misuse of the product and possible injury.

SAVE THESE INSTRUCTIONS!

SPECIFICATIONS

Rated Voltage		56 V $\overline{\text{---}}$
Blower	Maximum Air Volume	850 m ³ /h
	Maximum Air Velocity	64 m/s (with only blower tube) 93 m/s (with tapered nozzle)
	Maximum Blowing Force	15 N
Leaf Bag Capacity		40 liter
Max. Shredding Rate		16 : 1
Weight (without battery pack and nozzle)		5.8 kg (vacuum) 4.2 kg (blower)
Recommended Operating Temperature		-15°C-40°C
Recommended Storage Temperature		-20°C-70°C
Recommended Charging Temperature		5°C-40°C
Measured sound power level L _{WA}		100 dB(A) K=1.9 dB(A)
Sound pressure level at working position L _{PA}		88 dB(A) K=3 dB(A)
Guaranteed sound power level L _{WA} (according to 2000/14/EC)		102 dB(A)
Vibration a _h		Max. 1.80 m/s ² K=1.5 m/s ²

- The declared vibration total value has been measured in accordance with a standard test method and may be used for comparing one tool with another;
- The declared vibration total value may also be used in a preliminary assessment of exposure.

NOTICE: The vibration emission during actual use of the power tool can differ from the declared value in which the tool is used; In order to protect the operator, user should wear gloves and ear protectors in the actual conditions of use.

PACKING LIST (FIG.A1)

DESCRIPTION

KNOW YOUR LEAF VACUUM (Fig. A1)

1. Vacuum Nozzle
2. Vacuum Tube
3. Carry Handle for Vacuum Assembly
4. Air Intake Grille
5. Front Handle
6. Battery-release Button
7. Speed/Lock-on Dial
8. Shoulder Strap Hanger
9. Main Handle
10. Air-speed Trigger
11. Leaf Bag
12. Shoulder Strap
13. Electric Contacts
14. Latch
15. Blower Tube
16. Tapered Nozzle

ASSEMBLY

⚠ WARNING: If any parts are damaged or missing, do not operate this product until the parts are replaced. Use of this product with damaged or missing parts could result in serious personal injury.

⚠ WARNING: Do not attempt to modify this product or create accessories not recommended for use with this product. Any such alteration or modification is misuse and could result in a hazardous condition leading to possible serious personal injury.

⚠ WARNING: To prevent accidental starting that could cause serious personal injury, always remove the battery pack from the machine when assembling parts.

NOTICE: The machine cannot be started until the

blower tube or vacuum assembly and leaf bag are completely and correctly assembled.

ASSEMBLING/REMOVING THE BLOWER TUBE

To Assemble (Fig. B1 & B2)

Align the groove and push the tube onto the blower housing until the blower tube lock lever latches.

B-1	Blower Tube Lock Lever
-----	------------------------

To Remove (Fig. B3)

Push the blower lock lever to disengage the latch, and then remove the tube.

ASSEMBLING/REMOVING THE BLOWER TAPERED NOZZLE

To Assemble (Fig. C1 & C2)

Align the groove in the tapered nozzle with the tube knob and push the nozzle onto the tube until it snaps into place.

To Remove (Fig. C3)

Press and hold the nozzle-release button to disengage the latch, then pull the nozzle straight from the blower tube.

ASSEMBLING/REMOVING THE VACUUM ASSEMBLY

To Assemble the Vacuum Nozzle (Fig. D)

NOTICE: Once the vacuum nozzle is first installed onto the vacuum tube, they form a vacuum assembly and the two cannot be disassembled.

Align the groove and push the nozzle onto the vacuum tube until the vacuum nozzle lock button locks in place.

To Assemble the Vacuum Assembly

1. Push the vacuum tube lock lever to release the air intake grille, and then open the grille (Fig. E1 & E2).

E-1	Vacuum Tube Lock Lever
-----	------------------------

2. Align the two raised square corners on the vacuum assembly with the two recessed square grooves at the air inlet as shown in fig. E3 to engage the assembly.
3. Press the vacuum assembly towards the air inlet until the vacuum tube lock lever latches (Fig. E4).
4. Press the air intake grille against the vacuum assembly (Fig. E5).

To Assemble the Leaf Bag (Fig. F)

1. Align the groove and push the leaf bag connector onto the vacuum housing until the leaf bag lock lever latches.

F-1	Leaf Bag Connector	F-3	Leaf Bag Loop
F-2	Leaf Bag Lock Lever		

2. Hang the leaf bag loop onto the hook on the vacuum assembly as shown in fig. F.

To Remove and Empty the Leaf Bag (Fig. G1)

1. Remove the leaf bag loop from the hook on the vacuum assembly.
2. Push the leaf bag lock lever to disengage the latch, and then remove the bag.
3. Open the zipper to empty the leaf bag.

G-1	Zipper
-----	--------

To Remove the Vacuum Assembly (Fig. G2 & G3)

1. Push the vacuum tube lock lever to unlock the tube.
2. Remove the vacuum assembly.
3. Press the air intake grille towards the air inlet until the lock lever latches.

MOUNTING THE SHOULDER STRAP (Fig. H)

Depress the strap carabiners to open them and attach them onto the shoulder strap hangers at each end of the machine.

There are two ways to release the strap. Take it off from your shoulder directly or depress one of the carabiner to disconnect the shoulder strap from the shoulder strap hanger.

⚠ WARNING: When wearing the strap, no other wearable should interfere with the release and removal of the strap.

⚠ WARNING: If an emergency occurs, take it off from your shoulder immediately, no matter what way the strap is on.

⚠ WARNING: You should not use the single-shoulder strap and double-shoulder strap simultaneously.

⚠ WARNING: Do not use shoulder strap and BH1000 EGO backpack link at the same time. This will prevent quick emergency release of the machine, resulting in personal injury.

OPERATION

⚠ WARNING: Do not allow familiarity with this product to make you careless. Remember that a careless fraction of a second is sufficient to inflict serious injury.

⚠ WARNING: Always wear eye protection with side shields, along with hearing protection. Failure to do so could result in objects being thrown into your eyes and other possible serious injuries.

⚠ WARNING: To prevent accidental starting that could cause serious personal injury, always remove the battery pack from the tool when assembling parts, making adjustments, cleaning, or when not in use.

⚠ WARNING: Do not use any attachments or accessories not recommended by the manufacturer of this product. The use of attachments or accessories not recommended can result in serious personal injury.

Before each use, inspect the entire product for damaged, missing, or loose parts, such as screws, nuts, bolts, caps, etc. Securely tighten all fasteners and caps and do not operate this product until all missing or damaged parts are replaced.

APPLICATIONS

You may use this product for the purposes listed below:

- Collecting leaves, grass clippings and other debris.
- Clearing hard surfaces such as driveways and walkways.
- Keeping decks and driveways free from leaves.

NOTICE: The machine is to be used only for its prescribed purposes. Any other use is deemed to be a case of misuse.

ATTACHING/DETACHING THE BATTERY PACK

Use only with EGO's battery packs and chargers listed in Fig.A2.

NOTE: Fully charge battery pack before first use.

To Attach

Align the battery ribs with the mounting slots and press the battery pack down until you hear a "click" (Fig. I1).

To Detach (Fig. I2)

Depress the battery-release button and pull the battery pack out (Fig. I2).

⚠ WARNING: Always be aware for the location of your feet, children, or pets when pressing the battery-release button. Serious injury could result in if the battery pack falls. NEVER remove the battery pack at a high location.

STARTING/STOPPING THE MACHINE

Air-speed Trigger Only

1. Depress the air-speed trigger to turn on the machine.
2. The air speed of the machine is controlled with the variable speed trigger. More pressure on the trigger results in higher air speeds; less pressure on the trigger results in lower air speeds. Adjust the speed to suit the task at hand.
3. Release the air-speed trigger to turn off the machine.

Speed/Lock-on Dial Only

The machine can be locked at any speed with the speed/lock-on dial.

1. Turn the speed/lock-on dial towards the nearby shoulder strap hanger to start the machine. The air speed will increase as the dial is turned until it reaches maximum speed (MAX).
2. To decrease the air speed, turn the speed/lock-on dial towards the opposite side.
3. Keep turning the speed/lock-on dial to the off position (O) to stop the machine.

NOTICE: If the speed/lock-on dial is not turned back to the off position before the battery is removed, the blower will not start when a fully charged battery is installed. This is a protection feature to help prevent accidental startup. Depress the air-speed trigger to deactivate the protection and start the blower.

TIPS FOR USING THE BLOWER (Fig. K)

For using the machine as a blower, follow the instructions in the **ASSEMBLY** section to install the vacuum assembly.

- To keep from scattering debris, blow around the outer edges of a debris pile. Never blow directly into the center of a pile.
- To reduce sound levels, limit the number of pieces of power equipment used at any one time.
- Use rakes and brooms to loosen debris before blowing. In dusty conditions, slightly dampen surfaces if water is available.

- Conserve water by using power blowers instead of hoses for many lawn and garden applications, including areas such as gutters, screens, patios, grills, porches, and gardens.
- Watch out for children, pets, open windows, or freshly washed cars, and blow debris safely away.
- After using blowers or other equipment, clean up! Dispose of debris properly.

TIPS FOR USING THE VACUUM (Fig. L)

For using the machine as a vacuum, follow the instructions in the **ASSEMBLY** section to install the vacuum assembly, leaf bag and shoulder strap.

- Check the leaf bag frequently for wear or deterioration.
- To avoid raising dust, completely close the leaf bag zipper before starting the machine.
- Empty the leaf bag before it becomes full.
- To prevent water from entering the machine, use the machine to collect wet leaves from the ground, but not from the pool.
- Do not allow plastic bags, cloth and other objects that are not easy to break and can easily become entangled inside the machine.
- Do not allow hard materials, such as large wood chips, metals, glass, pebbles, etc., to be sucked into the machine.

MAINTENANCE

⚠ WARNING: When servicing, use only identical replacement parts. Use of any other parts may create a hazard or cause product damage. To ensure safety and reliability, all repairs should be performed by a qualified service technician.

⚠ WARNING: To avoid serious personal injury, always remove the battery pack from the product when cleaning or performing any maintenance.

GENERAL MAINTENANCE

Avoid using solvents when cleaning plastic parts. Most plastics are susceptible to damage from various types of commercial solvents and may be damaged by their use. Use clean cloths to remove dirt, dust, oil, grease, etc.

⚠ WARNING: Do not at any time let brake fluids, petrol, petroleum-based products, penetrating oils, etc., come in contact with plastic parts. Chemicals can damage, weaken or destroy plastic which may result in serious personal injury.

STORAGE

- Remove the battery pack from the machine.
- Clean all foreign material from the air inlets of the machine.
- Store in an enclosed space that is inaccessible to children. Keep away from corrosive agents, such as garden chemicals and de-icing salts.

Protecting the environment

Do not dispose of electrical equipment, used battery and charger into household waste!

Take this product to an authorized recycler and make it available for separate collection. Electric tools must be returned to an environmentally compatible recycling facility.

TROUBLESHOOTING

PROBLEM	CAUSE	SOLUTION
Leaf vacuum doesn't work.	<ul style="list-style-type: none"> ■ No electrical contact between the leaf vacuum and battery pack. ■ The battery pack charge is depleted. ■ The battery pack or blower is too hot. ■ The machine is not fully assembled. 	<ul style="list-style-type: none"> ■ Remove battery pack, check contacts and reinstall the battery pack. ■ Charge the battery pack. ■ Cool the battery pack and leaf vacuum until the temperature drops below 67°C. ■ Follow the instructions in the Assembly section to assemble the machine completely and correctly.
The air velocity decreases significantly.	<ul style="list-style-type: none"> ■ The air inlet is blocked by debris. ■ Excessive wearing of motor fan. ■ Too much debris inside the leaf bag. 	<ul style="list-style-type: none"> ■ Remove the batteries, clear the debris. ■ Contact EGO service center for repair. ■ Empty the leaf bag following the instructions in To Remove and Empty the Leaf Bag chapter in the ASSEMBLY section.

WARRANTY

EGO WARRANTY POLICY

Please visit the website egopowerplus.eu for full terms and conditions of the EGO Warranty policy.

LESEN SIE ALLE ANWEISUNGEN!

DE



LESEN SIE DIE BETRIEBSANLEITUNG

⚠️ WARNUNG: Um die Sicherheit und Zuverlässigkeit zu gewährleisten, sollten alle Reparaturen nur von qualifizierten Servicetechnikern durchgeführt werden.

⚠️ WARNUNG: Vor der Benutzung des Geräts sollten Sie alle Sicherheitsanweisungen in dieser Bedienungsanleitung gelesen und verstanden haben. Das gilt auch für die Sicherheits- und Gefahrenzeichen wie „VORSICHT“, „WARNUNG“ und „ACHTUNG“. Die Nichtbeachtung der aufgeführten Hinweise kann zu Stromschlägen, Bränden und/oder schweren Verletzungen führen.

BEWAHREN SIE ALLE WARNHINWEISE UND BETRIEBSANWEISUNGEN FÜR NACHSCHLAGEZWECKE AUF.

WARNSYMBOL

⚠️ WARNUNG: Beim Betrieb von Elektrowerkzeugen besteht die Gefahr, dass Fremdkörper in Ihre Augen geschleudert werden und Sie dadurch schwerwiegende Augenschäden davontragen. Tragen Sie immer eine Schutzbrille, wenn möglich mit Seitenschutz oder, falls nötig, einen vollen Gesichtsschutz, bevor Sie Arbeiten mit dem Elektrowerkzeug verrichten. Wir empfehlen Ihnen, einen Gesichtsschutz über Ihrer eigenen Brille oder eine herkömmliche Schutzbrille mit Seitenschutz zu tragen.



Sicherheitswarnung



Um das Verletzungsrisiko zu verringern, muss der Benutzer die Bedienungsanleitung vor der Benutzung des Gerätes gelesen und verstanden haben.



Tragen Sie beim Betrieb dieses Produkts immer einen Gehörschutz und einen Augenschutz.



Halten Sie alle unbefugten Personen mindestens 15 m fern.



Garantierter Schalleistungspegel. Geräuschemission an die Umgebung gemäß Richtlinie der Europäischen Gemeinschaft.



Dieses Produkt erfüllt die einschlägigen CE-Richtlinien.



Elektrische Altgeräte dürfen nicht im Hausmüll entsorgt werden. Bringen Sie das Gerät zu einem Wertstoffhof bzw. zu einer amtlichen Sammelstelle.



Dieses Produkt erfüllt die einschlägigen Vorschriften in GB.



Gleichstrom

IPX4 Schutz vor Spritzwasser

V

Spannung

./min pro Minute

mm

Millimeter

n_0 Leerlaufdrehzahl

ALLGEMEINE SICHERHEITSHINWEISE FÜR MASCHINEN

⚠️ WARNUNG: BEACHTEN SIE ALLE SICHERHEITSHINWEISE, ANWEISUNGEN, ABBILDUNGEN UND TECHNISCHE DATEN, DIE DIESER MASCHINE BEILIEGEN. Die Nichtbeachtung der unten aufgeführten Anweisungen kann zu Stromschlägen, Bränden und/oder schweren Verletzungen führen.

BEWAHREN SIE ALLE WARNHINWEISE UND BEDIENUNGSANWEISUNGEN FÜR NACHSCHLAGEZWECKE AUF.

Der Begriff „Gerät“ in den Warnhinweisen bezieht sich auf netzbetriebene (kabelgebundene) oder akkubetriebene (kabellose) Geräte.

SICHERHEIT IM ARBEITSBEREICH

- Halten Sie den Arbeitsbereich stets sauber und gut beleuchtet. Unaufgeräumte oder dunkle Bereiche können Unfälle provozieren.
- Das Gerät darf nicht in einer explosionsgefährdeten Atmosphäre eingesetzt werden, wie z.B. in der Nähe zündfähiger Flüssigkeiten, Gase oder Stäube. Geräte erzeugen Funken, die Stäube oder Dämpfe entzünden können.
- Halten Sie Kinder und Schaulustige während des Gerätebetriebs fern. Ablenkungen können dazu führen, dass Sie die Kontrolle verlieren.

ELEKTRISCHE SICHERHEIT

- Der Netzstecker des Geräts muss in die Steckdose passen. Der Netzstecker darf unter keinen Umständen modifiziert werden. Keine Adapterstecker an geerdeten Geräten benutzen. Nicht modifizierte Stecker und passende Steckdosen reduzieren die Stromschlaggefahr.
- Vermeiden Sie den Körperkontakt zu geerdeten Flächen, wie zum Beispiel Rohrleitungen, Heizkörpern, Herden und Kühlschränken. Es besteht erhöhte Stromschlaggefahr, wenn Ihr Körper geerdet ist.
- Geräte von Regen oder Nässe fernhalten. Wenn Wasser in das Gerät eindringt, besteht erhöhte Stromschlaggefahr.
- Das Netzkabel darf nicht zweckentfremdet werden. Das Netzkabel darf nicht zum Tragen, Ziehen oder Herausziehen des Elektrowerkzeugs aus der Steckdose verwendet werden. Das Netzkabel muss vor Hitze, Öl, scharfen Kanten oder beweglichen Teilen ferngehalten werden. Durch beschädigte oder

verknottete Kabel besteht erhöhte Stromschlaggefahr.

- Bei Gerätebetrieb im Freien muss ein für den Außeneinsatz geeignetes Verlängerungskabel verwendet werden. Die Stromschlaggefahr verringert sich bei Gebrauch eines Netzkabels, das für den Einsatz im Freien geeignet ist.
- Wenn sich der Einsatz des Geräts an einem feuchten Ort nicht vermeiden lässt, benutzen Sie eine Steckdose, die mit einem FI-Schalter gesichert ist. Die Verwendung einer Fehlerstromschutzeinrichtung reduziert die Stromschlaggefahr.

PERSONENSICHERHEIT

- Seien Sie wachsam, geben Sie darauf Acht, was Sie tun, und benutzen Sie Ihren gesunden Menschenverstand beim Betrieb eines Geräts. Benutzen Sie die Maschine nicht, wenn Sie müde sind oder unter dem Einfluss von Drogen, Alkohol, Medikamenten stehen. Ein Moment der Unachtsamkeit kann beim Gerätebetrieb zu ernsthaften Verletzungen führen.
- Tragen Sie eine persönliche Schutzausrüstung. Tragen Sie immer einen Augenschutz. Durch eine für die jeweiligen Bedingungen geeignete Schutzausrüstung wie etwa eine Staubschutzmaske, rutschfeste Schuhe, Helm oder Gehörschutz lässt sich die Verletzungsgefahr verringern.
- Ungewollten Anlauf verhindern. Vor dem Anschließen an eine Steckdose und/oder einen Akku sowie vor dem Aufnehmen oder Transportieren des Geräts immer kontrollieren, ob der Hauptschalter in ausgeschalteter Position ist. Unfälle sind vorprogrammiert, wenn Sie Geräte mit einem Finger am Hauptschalter tragen oder Elektrowerkzeuge mit aktiviertem Hauptschalter an eine Steckdose anschließen.
- Ziehen Sie vor dem Einschalten des Geräts Einstellschlüssel oder Schraubenschlüssel ab. Wird ein Schraubenschlüssel oder Schlüssel am rotierenden Geräteteil gelassen, besteht Verletzungsgefahr.
- Nicht überstrecken. Achten Sie stets auf einen festen Stand und halten Sie das Gleichgewicht. Dies ermöglicht in unerwarteten Situationen eine bessere Kontrolle über das Gerät.
- Tragen Sie angemessene Kleidung. Tragen Sie keine weite Kleidung oder Schmuck. Halten Sie Ihre Haare und Kleidung von beweglichen Teilen

fern. Weite Kleidung, Schmuck oder langes Haar können sich in den beweglichen Teilen verfangen.

- **Wenn Komponenten zum Anschluss an eine Absauganlage und an Auffangvorrichtungen mitgeliefert werden, achten Sie darauf, dass diese ordnungsgemäß befestigt und benutzt werden.** Durch eine Staubabsaugvorrichtung lassen sich Gefahrenquellen durch Staub ausschalten.
- **Auch wenn Sie sich wegen des häufigen Gebrauchs mit dem Gerät auskennen, sollten Sie sich nicht zu einer gewissen Nachlässigkeit verleiten und die Grundsätze der Maschinsicherheit außer Acht lassen.** Eine fahrlässige Handlung kann bereits im Bruchteil einer Sekunde zu schweren Verletzungen führen.

NUTZUNG UND PFLEGE DER MASCHINE

- **Nicht zu viel Druck auf das Gerät ausüben. Stets das richtige Gerät für die jeweiligen Arbeiten benutzen.** Durch das passende Gerät lassen sich die Arbeiten besser und sicherer in dem jeweils vorgesehenen Tempo erledigen.
- **Verwenden Sie das Gerät nicht, wenn es sich mit dem Schalter weder ein- noch ausschalten lässt.** Ein Gerät, das sich nicht mehr ein- oder ausschalten lässt, ist gefährlich und muss repariert werden.
- **Ziehen Sie den Netzstecker aus der Steckdose bzw. nehmen Sie den Akku von der Maschine ab, bevor Sie Einstellungen vornehmen, das Zubehör wechseln oder das Elektrowerkzeug verstauen.** Diese vorbeugenden Sicherheitsmaßnahmen verringern das Risiko eines unbeabsichtigten Anlaufs.
- **Unbenutzte Geräte sollten nicht in Reichweite von Kindern aufbewahrt werden. Personen, die das Gerät oder diese Anleitung nicht kennen, sollte die Benutzung des Geräts untersagt werden.** In den Händen ungeschulter Benutzer sind Geräte gefährlich.
- **Wartung von Geräten und Zubehör. Achten Sie auf falsch ausgerichtete oder fest sitzende Teile, Bruchstellen und sonstige Umstände, die den Gerätebetrieb beeinträchtigen können. Lassen Sie das Gerät bei Beschädigung vor dem Gebrauch reparieren.** Viele Unfälle entstehen durch schlecht gewartete Geräte.
- **Halten Sie Schneidegeräte scharf und sauber.** Sachgemäß gewartete Schneidegeräte mit scharfen Schneiden neigen weniger zum Festfahren und sind leichter zu kontrollieren.
- **Benutzen Sie das Gerät, Zubehör, Geräteteile usw. gemäß diesen Anweisungen und berücksichtigen Sie dabei die Arbeitsbedingungen und die auszuführenden Arbeiten.** Die Verwendung der Maschine für andere als die vorgesehenen Arbeiten kann zu einer gefährlichen Situation führen.
- **Halten Sie die Griffe und Griffflächen trocken, sauber und frei von Öl und Fett.** Rutschige Griffe und Griffflächen beeinträchtigen die sichere Handhabung des Geräts und führen in unerwarteten Situationen zum Verlust der Kontrolle über das Gerät.

BENUTZUNG UND PFLEGE DES GERÄTEAKKUS

- **Laden Sie den Akku nur mit dem vom Hersteller vorgegebenen Ladegerät auf.** Ein Ladegerät, das für einen bestimmten Akkutyp geeignet ist, kann bei der Benutzung eines anderen Akkus zu einer Brandgefahr werden.
- **Verwenden Sie das Gerät nur mit den eigens dafür vorgesehenen Akkus.** Bei Verwendung anderer Akkus besteht Verletzungs- und Brandgefahr.
- **Wenn der Akku nicht benutzt wird, halten Sie ihn von anderen metallischen Gegenständen fern, wie etwa Büroklammern, Münzen, Schlüssel, Nägel, Schrauben oder anderen kleinen Metallgegenständen, die eine Verbindung zwischen den Polen herstellen können.** Das Kurzschließen der Pole kann Verbrennungen oder Brände verursachen.
- **Bei unsachgemäßer Anwendung kann Flüssigkeit aus dem Akku austreten; Kontakt vermeiden.** Falls Sie versehentlich mit Akkusäure in Berührung gekommen sind, spülen Sie mit Wasser. Falls Akkusäure in die Augen geraten ist, suchen Sie zudem einen Arzt auf. Aus dem Akku austretende Flüssigkeit kann Reizungen oder Verätzungen verursachen.
- **Benutzen Sie keine beschädigten oder modifizierten Akkus oder Geräte.** Beschädigte oder modifizierte Akkus können sich unvorhergesehen verhalten und einen Brand, eine Explosion oder eine Verletzung hervorrufen.
- **Akkus oder Geräte vor Feuer oder extremen Temperaturen schützen.** Feuer oder Temperaturen über 130 °C können eine Explosion verursachen.
- **Befolgen Sie alle Ladeanweisungen und laden Sie den Akku oder das Gerät nicht außerhalb des Temperaturbereichs auf, der in der Anleitung angegeben ist.** Das unsachgemäße Aufladen oder Laden außerhalb des angegebenen Temperaturbereichs kann den Akku beschädigen und die Brandgefahr erhöhen.

REPARATUREN

- **Lassen Sie das Gerät nur von qualifiziertem Fachpersonal und nur mit Original-Ersatzteilen reparieren.** Dadurch wird sichergestellt, dass die Sicherheit der Maschine gewahrt bleibt.
- **Reparieren Sie unter keinen Umständen beschädigte Akkus.** Akkus sollten ausschließlich vom Hersteller selbst oder einer autorisierten Reparaturwerkstatt repariert werden.

SICHERHEITSHINWEISE FÜR DEN LAUBBLÄSER/SAUGER

- **Verwenden Sie das Gerät nicht bei schlechtem Wetter und insbesondere nicht bei Gewitter.** Bei Gewitter besteht die Gefahr eines Blitzschlags.
- **Überprüfen Sie den Schmutzsammler regelmäßig auf Verschleiß und Abnutzung.** Ein abgenutzter oder beschädigter Auffangsack kann das Verletzungsrisiko erhöhen.
- **Tragen Sie Augenschutz und Gehörschutz.** Eine angemessene Schutzausrüstung verringert das Risiko von Verletzungen.
- **Tragen Sie beim Gebrauch der Maschine immer rutschfeste Sicherheitsschuhe. Verwenden Sie das Gerät nicht barfuß oder mit offenen Sandalen.** Dies reduziert das Verletzungsrisiko an den Füßen.
- **Tragen Sie keine weite Kleidung oder Accessoires wie Schals, Schnüre, Ketten, Krawatten usw., die in die Lufterlässe gezogen werden könnten.** Binden Sie lange Haare zurück oder decken Sie sie ab, um sicherzustellen, dass sie nicht in die Lufterlässe gezogen werden. Wenn einer dieser Gegenstände in die Lufterlässe gesaugt wird, kann dies das Risiko von Verletzungen erhöhen.
- **Halten Sie Umstehende fern, während Sie die Maschine verwenden.** Umhergeschleuderte Gartenabfälle können das Verletzungsrisiko erhöhen.
- **Verwenden Sie die Maschine nicht ohne Auffangsack im Saugmodus.** Weggeschleuderte Gartenabfälle können das Verletzungsrisiko von erhöhen.
- **Richten Sie die Blasdüse niemals auf Personen oder Haustieren oder Fenster. Seien Sie besonders vorsichtig, wenn Sie Gartenabfälle in die Nähe fester Gegenstände wie Bäumen, Autos und Wänden blasen, von denen sie abprallen können.** Umhergeschleuderte Gegenstände können Sachschäden verursachen und das Verletzungsrisiko erhöhen.

- **Verwenden Sie die Maschine nicht zum Aufsaugen oder Blasen von brennenden oder rauchenden Gegenständen wie Zigaretten, Streichhölzern oder heißer Asche.** Diese Zündquellen können die Brandgefahr erhöhen.
- **Saugen Sie kein Wasser oder andere Flüssigkeiten auf und tauchen Sie keinen Teil der Maschine in Flüssigkeit.** Wasser, das in die Maschine eindringt, kann das Risiko eines Stromschlags erhöhen.
- **Saugen Sie keine Steine, Kies, Metall oder Glasscherben auf.** Das Gebläserad kann beschädigt werden und das Verletzungsrisiko erhöhen.
- **Berühren Sie das Gebläse nicht, während es sich noch bewegt. Schalten Sie die Maschine aus und warten Sie, bis das Gebläse stillsteht, bevor Sie Teile entfernen, die den Zugang zum Gebläse ermöglichen könnten.** Dies reduziert das Verletzungsrisiko durch bewegliche Teile.
- **Achten Sie bei der Beseitigung von eingeklemmtem Material oder bei Wartungsarbeiten an der Maschine darauf, dass der Netzschalter in die Ausposition gestellt ist.** Das unerwartete Ingangsetzen der Maschine, während Sie eingeklemmtes Schnittgut entfernen oder die Maschine warten, kann schwere Verletzungen verursachen.

LESEN SIE VOR DER BENUTZUNG DIESES PRODUKTS ALLE ANWEISUNGEN!

UNTERWEISUNG

- **Kindern, Personen mit eingeschränkter körperlicher, sensorischer oder geistiger Fähigkeit oder mit mangelnden Erfahrungen und Fachkenntnissen oder Personen, die die vorliegenden Anweisungen nicht kennen, muss die Nutzung des Geräts untersagt werden.**
- **Für Unfälle, Personen- oder Sachschäden Dritter ist der Bediener oder Nutzer des Geräts verantwortlich.**

VORBEREITUNG

- **Die Maschine kann im Regen oder in nassen Umgebungsbedingungen benutzt werden. Trocknen Sie die Maschine nach dem Gebrauch ab.**
- **Prüfen Sie die Batterien oder den Akku vor der Inbetriebsetzung auf Schäden.** Verwenden Sie die Batterien oder den Akkusatz nicht, wenn sie beschädigt sind.

BETRIEB

- Die Maschine kann im Regen oder in nassen Umgebungsbedingungen benutzt werden. Trocknen Sie die Maschine nach dem Gebrauch ab.
- Entfernen Sie die Batterien bzw. den Akku in folgenden Fällen:
 1. beim Zurücklassen des Geräts;
 2. beim Beseitigen von Blockaden;
 3. vor dem Prüfen, Reinigen oder Arbeiten am Gerät;
 4. wenn das Gerät ungewöhnlich stark zu vibrieren beginnt.
- An Hängen immer auf einen festen Stand achten.
- Nur gehen, niemals rennen.
- Halten Sie alle Belüftungsöffnungen frei von Verunreinigungen.
- Um Ruhestörungen zu vermeiden, sollte das Gerät zu angemessenen Tageszeiten eingesetzt werden; das heißt nicht früh am Morgen oder spät am Abend.
- Unter staubigen Bedingungen sollten die Flächen leicht angefeuchtet werden. Es kann auch ein Befeuchtungsaufsatz verwendet werden.

⚠️ WARNUNG: Gefahr durch rotierende Teile!

- Ziehen Sie die Düsenverlängerung der Maschine ganz heraus, damit der Luftstrom möglichst nah am Boden ansetzen kann.
- Das Gerät darf nicht in der Nähe geöffneter Fenster o.ä. eingesetzt werden.

WARTUNG UND LAGERUNG

- Achten Sie darauf, dass alle Schrauben, Muttern und Bolzen fest angezogen sind. Nur so kann für eine entsprechende Gerätesicherheit gesorgt werden.
- Ersetzen Sie abgenutzte oder beschädigte Teile.
- Verwenden Sie nur Originalersatzteile und Zubehörteile.
- Lagern Sie das Gerät nur an trockenen Orten.

⚠️ WARNUNG: Um das Risiko für Feuer, Stromschläge und Verletzungen zu verringern:

WICHTIG

VOR DER BENUTZUNG SORGFÄLTIG LESEN.

ZUM SPÄTEREN NACHSCHLAGEN AUFBEWAHREN.

- Die Maschine darf nicht als Spielzeug verwendet werden. Besondere Aufmerksamkeit ist erforderlich, wenn Kinder in der Nähe sind.
- Wenn die Maschine nicht so funktioniert wie er sollte, wenn er fallen gelassen wurde, wenn er beschädigt ist oder wenn er mit Wasser in Berührung gekommen ist, bringen Sie ihn zu einem Servicezentrum.
- Keine Gegenstände in Gehäuseöffnungen einführen. Nicht mit blockierten Öffnungen in Betrieb setzen. Die Öffnungen von Staub, Flusen, Haaren und allem frei halten, was die Luftzirkulation beeinträchtigt.
- Seien Sie besonders vorsichtig, wenn Sie auf Treppen säubern.
- Lassen Sie das Gerät nicht unbeaufsichtigt, wenn der Akkustecker verbunden ist. Entfernen Sie den Akku, wenn die Maschine nicht benutzt wird und bevor Sie sie warten.
- Das Ladegerät, den Netzstecker oder die Kontakte des Ladegeräts nicht mit nassen Händen anfassen.
- Den Akkusatz nicht im Freien aufladen.

⚠️ WARNUNG:

- Vor dem Entsorgen muss der Akku aus dem Gerät entfernt werden.

- Der Akku muss sicher entsorgt werden.

- Nehmen Sie ZUERST den Akku aus dem Gerät, bevor Sie versuchen, Blockaden zu lösen.
- Halten Sie die Maschine und ihren Griff trocken, sauber und frei von Ölen oder Fetten. Verwenden Sie zum Säubern immer einen sauberen Lappen. Reinigen Sie die Maschine auf keinen Fall mit Bremsflüssigkeit, Benzin, Erzeugnissen auf Erdölbasis oder mit starken Lösungsmitteln. Sie laufen dadurch weniger Gefahr, die Kontrolle über das Gerät zu verlieren, und verhindern, dass das Kunststoffgehäuse angegriffen wird.
- Akkus können in Gegenwart einer Zündquelle, wie z.B. einer Zündflamme, explodieren. In der Gegenwart offener Flammen nie schnurlose Geräte benutzen, um die Gefahr schwerer Verletzungen zu verhindern. Bei einem explodierenden Akku können Schmutz und Chemikalien umherschleudert werden. Bei einer entsprechenden Gefährdung unverzüglich mit Wasser abspülen.

- **Betreiben Sie das Gerät niemals ohne zuvor die entsprechenden Zubehörteile zu montieren.** Achten Sie immer darauf, dass das Maschinenrohr montiert ist.
- **Verwenden Sie die Maschine niemals in der Nähe von Feuer oder heißer Asche.** Die Verwendung in der Nähe von Feuer oder heißer Asche kann zur Ausbreitung des Feuers und damit zu schweren Verletzungen und/oder Sachschäden führen.
- **Verwenden Sie die Maschine niemals, um damit Chemikalien, Düngemittel oder andere toxische Substanzen zu verteilen.** Das Verteilen solcher Stoffe kann zu schweren Verletzungen beim Bediener der Maschine oder bei Passanten führen.
- **Heben Sie diese Anleitung auf.** Schlagen Sie gegebenenfalls darin nach und verwenden Sie sie, um andere in die Verwendung dieser Maschine einzuweisen. Falls Sie diese Maschine anderen Personen überlassen, händigen Sie diesen auch die Anleitung aus, um unsachgemäßem Gebrauch des Geräts und Verletzungen vorzubeugen.

HEBEN SIE DIESE ANLEITUNG AUF!

TECHNISCHE DATEN

Nennspannung		56 V ---
Laubbläser	Maximales Luftvolumen	850 m ³ /h
	Maximale Luftgeschwindigkeit	64 m/s (nur mit Blasrohr)
		93 m/s (mit konischer Düse)
Maximale Blasstärke	15 N	
Fassungsvermögen des Laubauffangbeutels		40 Liter
Max. Zerkleinerungsrate		16 : 1
Gewicht (ohne Akkupack und Düse)		5,8 kg (laubsauger) 4,2 kg (laubbläser)
Empfohlene Betriebstemperatur		-15°C-40°C
Empfohlene Lagertemperatur		-20°C-70°C

Empfohlene Ladetemperatur	5°C-40°C
Gemessener Schalleistungspegel L_{WA}	100 dB(A) K=1,9 dB(A)
Schalldruckpegel in Arbeitsposition L_{PA}	88 dB(A) K=3 dB(A)
Garantierter Schalleistungspegel L_{WA} (nach 2000/14/EG)	102 dB(A)
Vibration a_{11}	Max. 1,80 m/s ² K=1,5 m/s ²

- Der angegebene Vibrationsgesamtwert wurde nach einem Standard-Prüfverfahren gemessen und kann zum Vergleich mit einem anderen Werkzeug herangezogen werden.
- Der angegebene Vibrationsgesamtwert kann auch zur vorläufigen Risikobewertung herangezogen werden.

HINWEIS: Die beim Einsatz des Elektrowerkzeugs entstehenden Istvibrationen können von dem angegebenen Wert abweichen. Zum Schutz des Benutzers sollten Handschuhe und ein Gehörschutz während des Geräteeinsatzes getragen werden.

PACKLISTE (ABB. A1)

BESCHREIBUNG

BESCHREIBUNG IHRES LAUBSAUGERS (Abb. A1)

1. Saugdüse
2. Saugrohr
3. Tragegriff der Saugeinheit
4. Lufteinlassgitter
5. Vorderer Griff
6. Akkuentriegelung
7. Drehzahlwählschalter mit Arretierung
8. Schultergurtaufhänger
9. Hauptgriff
10. Gebläseschalter
11. Laubauffangsack
12. Schultergurt
13. Elektrische Kontakte
14. Riegel

15. Laubbläserrohr

16. Konische Düse

DE MONTAGE

⚠️ WARNUNG: Gerät nicht in Betrieb setzen, wenn Teile schadhafte sind oder fehlen. Fehlende oder beschädigte Teile zuerst ersetzen. Die Verwendung dieses Produkts mit beschädigten oder fehlenden Teilen kann zu schweren Verletzungen führen.

⚠️ WARNUNG: Nicht versuchen, das Gerät umzubauen oder Zubehör zu produzieren, das für dieses Gerät nicht empfohlen wird. Derartige Umbauten oder Veränderungen stellen eine Zweckentfremdung dar und können zu schweren Verletzungen führen.

⚠️ WARNUNG: Um einen unbeabsichtigten Anlauf und dadurch hervorgerufene schwere Verletzungen zu verhindern, muss der Akku beim Montieren von Teilen immer zuerst von der Maschine abgenommen werden.

HINWEIS: Die Maschine kann erst gestartet werden, wenn das Bläserrohr oder die Sauginheit und der Laubauffangsack vollständig und korrekt montiert sind.

ANBRINGEN/ABNEHMEN DES BLÄSERROHRS

Zusammenbau (Abb. B1 & B2)

Richten Sie die Nut aus und schieben Sie das Rohr auf das Bläsergehäuse, bis der Verriegelungshebel des Bläserrohrs einrastet.

B-1	Bläserrohr-Verriegelungshebel
-----	-------------------------------

Abnehmen (Abb. B3)

Drücken Sie den Bläserrohr-Verriegelungshebel, um die Verriegelung zu lösen, und entfernen Sie dann das Rohr.

MONTIEREN/ENTFERNEN DER KONISCHEN DÜSE DES BLÄSERS

Anbringen (Abb. C1 & C2)

Lassen Sie die Aussparung in der konischen Düse mit dem Rohrknopf fluchten und schieben Sie die Düse auf das Rohr, bis sie einrastet.

Abnehmen (Abb. C3)

Halten Sie die Düsenentriegelung gedrückt, um die Verriegelung zu lösen und ziehen Sie die Düse gerade vom Laubbläser ab.

MONTIEREN/ENTFERNEN DER SAUGEINHEIT

Montieren der Saugdüse (Abb. D)

HINWEIS: Sobald die Saugdüse und das Saugrohr verbunden wurden, können diese Teile nicht mehr getrennt werden.

Richten Sie die Nut aus und schieben Sie die Düse auf das Saugrohr, bis der Verriegelungsknopf der Saugdüse einrastet.

Montieren der Saugereinheit

1. Drücken Sie den Saugrohr-Verriegelungshebel, um das Lufteinlassgitter zu lösen, und öffnen Sie dann das Gitter (Abb. E1 und E2).

E-1	Saugrohr-Verriegelungshebel
-----	-----------------------------

2. Richten Sie die beiden erhabenen quadratischen Ecken der Saugereinheit an den beiden quadratischen Rillen am Lufteinlass aus, wie in Abb. E3 gezeigt, um die Einheit einrasten zu lassen.
3. Drücken Sie die Saugereinheit in Richtung Lufteinlass, bis der Saugrohr-Verriegelungshebel einrastet (Abb. E4).
4. Drücken Sie das Lufteinlassgitter an die Saugereinheit (Abb. E5).

Anbringen des Laubauffangsacks (Abb. F)

1. Richten Sie die Nut aus und schieben Sie den Laubauffangsack auf das Sauggehäuse, bis der Verriegelungshebel des Laubauffangsack einrastet.

F-1	Laubauffangsack-Verbindungsstück	F-3	Laubauffangsack-Gurtband
F-2	Laubauffangsack-Verriegelungshebel		

2. Hängen Sie das Laubauffangsack-Gurtband wie in Abb. F gezeigt an den Haken der Saugereinheit.

Abnehmen und Entleeren des Laubauffangsacks (Abb. G1)

1. Lösen Sie das Laubauffangsack-Gurtband vom Haken der Saugereinheit.
2. Drücken Sie den Laubauffangsack-Verriegelungshebel, um die Verriegelung zu lösen,

und entfernen Sie dann den Sack.

- Öffnen Sie den Reißverschluss, um den Laubauffangsack zu entleeren.

G-1	Reißverschluss
-----	----------------

Entfernen Sie die Saugereinheit (Abb. G2 & G3)

- Drücken Sie den Saugrohr-Verriegelungshebel, um das Rohr zu entriegeln.
- Entfernen Sie die Saugereinheit.
- Drücken Sie das Lufterlassgitter in Richtung Lufterlass, bis der Verriegelungshebel einrastet.

BEFESTIGEN DES SCHULTERGURTS (Abb. H)

Drücken Sie die Gurtkarabiner, um sie zu öffnen, und befestigen Sie sie an den Schultergurtanhängungen an jedem Ende der Maschine.

Es gibt zwei Möglichkeiten den Schultergurt zu lösen. Nehmen Sie ihn direkt von Ihrer Schulter ab oder drücken Sie einen der Karabiner, um den Schultergurt vom Schultergurtanhänger zu lösen.

⚠️ WARNUNG: Beim Tragen des Gurts sollte kein anderes tragbares Zubehör ein Lösen und Abnehmen des Gurts beeinträchtigen.

⚠️ WARNUNG: In Notfällen sofort von der Schulter nehmen, ganz gleich, wie der Gurt umgelegt ist.

⚠️ WARNUNG: Den einfachen Schultergurt und den doppelten Schultergurt nicht gleichzeitig verwenden.

⚠️ WARNUNG: Verwenden Sie nicht gleichzeitig den Schultergurt und das BH1000 EGO Rucksack-Verbindungsstück. Dadurch wird ein schnelles Loslassen der Maschine im Notfall verhindert, die zu Verletzungen führen kann.

BETRIEB

⚠️ WARNUNG: Auch wenn Sie sich mit dem Gerät auskennen, sollten Sie sich nicht zu einer gewissen Nachlässigkeit verleiten lassen. Denken Sie daran, dass ein kurzer Moment der Unachtsamkeit zu ernsthaften Verletzungen führen kann.

⚠️ WARNUNG: Tragen Sie immer einen Augenschutz mit Seitenschutz und einen Gehörschutz. Andernfalls besteht die Gefahr, dass Gegenstände in Ihre Augen geschleudert werden oder andere schwere Verletzungen verursacht werden.

⚠️ WARNUNG: Um einen unbeabsichtigten Geräteanlauf bei der Montage von Teilen, bei Einstellarbeiten, beim Reinigen oder bei Nichtgebrauch zu verhindern, muss der Akku vom Gerät abgenommen werden. Andernfalls besteht schwere Verletzungsgefahr.

⚠️ WARNUNG: Verwenden Sie keine Anbauwerkzeuge oder Zubehörteile, die nicht vom Hersteller dieses Produkts empfohlen worden sind. Der Gebrauch von nicht empfohlenen Anbauwerkzeugen oder Zubehör kann zu schweren Verletzungen führen.

Inspizieren Sie das gesamte Produkt vor jeder Benutzung auf beschädigte, fehlende oder lockere Teile, wie z. B. Schrauben, Muttern, Stifte, Kappen usw. Alle Befestigungsmittel und Kappen festziehen und das Gerät erst betätigen, wenn alle beschädigten oder fehlenden Teile ersetzt wurden.

ANWENDUNGEN

Sie können dieses Produkt für die unten aufgeführten Zwecke einsetzen:

- Sammeln von Laub, Grasschnitt und anderem Schmutz.
- Freibleasen von harten Oberflächen wie Zufahrtswegen und Gehsteigen.
- Terrassen und Einfahrten frei von Laub halten.

HINWEIS: Die Maschine darf nur für die vorgeschriebenen Zwecke verwendet werden. Jede andere Verwendung gilt als Zweckentfremdung.

ANBRINGEN/ABNEHMEN DES AKKUS

Nur die in Abb. A2 aufgeführten EGO Akkus und Ladegeräte verwenden.

ANMERKUNG: Akku vor dem ersten Gebrauch voll aufladen.

Anbringen

Lassen Sie die Rippen am Akkugehäuse mit den Öffnungen am Gerät fluchten und schieben Sie den Akku bis zum hörbaren Einrasten in das Gerät (Abb. I1).

Abnehmen (Abb. I2)

Drücken Sie den Akku-Freigabeknopf und ziehen Sie den Akku heraus (Abb. I2).

⚠️ WARNUNG: Vor dem Betätigen der Akku-Entriegelung auf die Position der FüÙe bzw. den

Aufenthaltsort von Kindern oder Haustieren achten. Wenn der Akku herunterfällt, besteht schwere Verletzungsgefahr. Den Akku NIE in der Höhe abnehmen.

GERÄT EIN-/AUSSCHALTEN

Nur Gebläseschalter

1. Drücken Sie den Gebläseschalter, um die Maschine einzuschalten.
2. Die Gebläsestufe der Maschine wird mit dem variablen Drehzahlwähler eingestellt. Je stärker der Drehzahlwähler gedrückt wird, desto höher ist die Luftgeschwindigkeit. Bei nachlassendem Druck auf den Schalter verringert sich die Geschwindigkeit des Luftstroms. Die Geschwindigkeit sollte für die auszuführenden Arbeiten geeignet sein.
3. Lassen Sie den variablen Drehzahlwähler los, um die Maschine.

Nur Drehzahlwähler/Arretierung

Mit der Arretierung am Drehzahlwähler kann die Gebläsestufe der Maschine auf Dauerbetrieb gestellt werden.

1. Drehen Sie den Drehzahlwähler mit Arretierung in Richtung des nahe gelegenen Schultergurtanhängers, um die Maschine zu starten. Die Luftgeschwindigkeit erhöht sich, wenn der Drehknopf gedreht wird, bis die maximale Geschwindigkeit (MAX) erreicht ist.
2. Um die Luftgeschwindigkeit zu verringern, drehen Sie den Drehzahlwähler mit Arretierung auf die gegenüberliegende Seite.
3. Drehen Sie den Drehzahlwähler mit Arretierung weiter, bis er in der Aus-Position (O) steht, um die Maschine zu stoppen.

HINWEIS: Wenn der Drehzahlwähler nicht auf Ausschaltposition gestellt wird, bevor der Akku abgenommen wird, schaltet sich der Laubbläser nicht ein, wenn ein voll aufgeladener Akku angeschlossen wird. Dies ist eine Schutzmaßnahme, mit der ein unvorhersehbarer Anlauf verhindert wird. Gebläseschalter gedrückt halten, um den Anlaufschutz zu deaktivieren und den Laubbläser zu starten.

TIPPS FÜR DEN GEBRAUCH DES LAUBBLÄSERS (Abb. K)

Um die Maschine als Laubbläser zu verwenden, befolgen Sie die Anweisungen im Abschnitt **MONTAGE**, um die Sauginheit anzubringen.

- Blasen Sie an den Außenkanten des Schmutzhaufens entlang, damit die Laubreste nicht verstreut werden. Blasen Sie niemals direkt in die Mitte eines Haufens.
- Setzen Sie nicht zu viele Elektrogeräte gleichzeitig ein, um nicht zu viel Lärm zu machen.
- Lockern Sie den Schmutz mit einem Rechen oder Besen vor dem Wegblasen. Unter staubigen Bedingungen befeuchten Sie die Oberflächen etwas, wenn Ihnen Wasser zur Verfügung steht.
- Sparen Sie Wasser, indem Sie ein Kraftgebläse anstelle von Wasserschläuchen bei vielen Rasen- und Gartenarbeiten einsetzen – z.B. auch bei Wasserrinnen, Gittern, Terrassen, Rosten, Vordächern und allgemein im Garten.
- Geben Sie auf Kinder, Tiere, offene Fenster oder frisch gewaschene Autos Acht. Blasen Sie den Schmutz vorsichtig weg.
- Säubern Sie den Ort nach der Benutzung des Gebläses oder anderer Geräte. Entsorgen Sie den Schutt ordnungsgemäß.

TIPPS FÜR DEN GEBRAUCH DES LAUBSAUGERS (Abb. L)

Um die Maschine als Laubsauger zu verwenden, befolgen Sie die Anweisungen im Abschnitt **MONTAGE**, um die Sauggruppe, den Laubauffangsack und den Schultergurt zu befestigen.

- Überprüfen Sie den Laubauffangsack regelmäßig auf Verschleiß oder Beschädigung.
- Um zu vermeiden, Staub aufzuwirbeln, schließen Sie den Reißverschluss des Laubauffangsacks vollständig, bevor Sie die Maschine starten.
- Leeren Sie den Laubauffangsack, bevor er komplett gefüllt ist.
- Um zu verhindern, dass Wasser in die Maschine eindringt, verwenden Sie die Maschine, um nasse Blätter vom Boden aufzusaugen, aber nicht aus dem Pool.
- Saugen Sie keine Plastiktüten, Tücher und andere Gegenstände auf, die nicht leicht zu zerreißen sind und sich leicht in der Maschine verfangen können.
- Achten Sie darauf, keine harten Materialien wie große Holzspäne, Metalle, Glas, Kieselsteine usw. in die Maschine zu saugen.

WARTUNG

⚠️ WARNUNG: Verwenden Sie für die Wartung nur baugleiche Ersatzteile. Die Verwendung anderer Teile kann Unfälle und Schäden am Gerät hervorrufen. Um die Sicherheit und Zuverlässigkeit zu gewährleisten, sollten alle Reparaturen nur von qualifizierten Servicetechnikern durchgeführt werden.

⚠️ WARNUNG: Um ernsthafte Personenschäden zu vermeiden, vor dem Reinigen oder Warten des Geräts immer den Akku aus dem Gerät nehmen.

ALLGEMEINE WARTUNG

Zum Reinigen von Kunststoffteilen Lösungsmittel vermeiden. Die verschiedenen handelsüblichen Lösungsmittel greifen die meisten Kunststoffe an. Verwenden Sie saubere Lappen zum Entfernen von Schmutz, Staub, Öl, Fett usw.

⚠️ WARNUNG: Achten Sie immer darauf, dass Bremsflüssigkeit, Benzin, Mineralöl-Erzeugnisse, Kriechöle usw. nicht mit den Kunststoffteilen in Kontakt kommen. Chemikalien können Kunststoffe angreifen, schwächen oder zerstören, was zu schweren Verletzungen führen kann.

LAGERUNG

- Nehmen Sie den Akku von der Maschine ab.
- Entfernen Sie alle Fremdkörper von den Lufteinlässen der Maschine.
- Lagern Sie das Gerät in einem geschlossenen Raum, der für Kinder nicht zugänglich ist. Vor zersetzenden Mitteln wie Gartenchemikalien oder Streusalz fern halten.

Schutz der Umwelt



Elektrogeräte, alte Akkus und Ladegeräte dürfen nicht im Hausmüll entsorgt werden!

Das Gerät muss einer offiziellen Recycling-Sammelstelle zur getrennten Entsorgung zugeführt werden.

Elektrowerkzeuge müssen bei einem umweltfreundlichen Recycling-Betrieb abgegeben werden.

DE

STÖRUNGSBEHEBUNG

DE

PROBLEM	URSACHE	LÖSUNG
Laubsauger funktioniert nicht.	<ul style="list-style-type: none"> ■ Kein elektrischer Kontakt zwischen Laubsauger und Akkupack. ■ Der Akku ist entladen. ■ Der Akku oder der Laubbläser ist zu heiß. ■ Die Maschine ist nicht vollständig montiert. 	<ul style="list-style-type: none"> ■ Akku abnehmen, Kontakte überprüfen und wieder anschließen. ■ Den Akku aufladen. ■ Akku und den Laubsauger kühlen, bis die Temperatur unter 67 °C fällt. ■ Die Maschine gemäß Abschnitt Montage vollständig und korrekt zu montieren.
Die Luftgeschwindigkeit nimmt erheblich ab.	<ul style="list-style-type: none"> ■ Der Lufteinlass ist durch Schmutz blockiert. ■ Starke Abnutzung des Laubbläsermotors. ■ Zu viel Laubabfälle im Laubauffangsack. 	<ul style="list-style-type: none"> ■ Akkus herausnehmen und den Schmutz entfernen. ■ Kontaktieren Sie das EGO-Servicezentrum, um das Gerät reparieren zu lassen. ■ Laubauffangsack gemäß den Anweisungen unter Abnehmen und Entleeren des Laubauffangsacks im Abschnitt MONTAGE entleeren.

GARANTIE

EGO-GARANTIEBEDINGUNGEN

Sämtliche EGO-Garantiebedingungen finden Sie auf der Website egopowerplus.eu.

LISEZ TOUTES LES INSTRUCTIONS!



LISEZ LE MANUEL D'UTILISATION

FR

⚠ AVERTISSEMENT : Pour garantir la sécurité et la fiabilité, toutes les réparations doivent être effectuées par un réparateur qualifié.

⚠ AVERTISSEMENT : Lisez et comprenez impérativement toutes les consignes de sécurité de ce manuel d'utilisation, y compris les symboles de mise en garde de sécurité tels que « **DANGER** », « **AVERTISSEMENT** » et « **ATTENTION** » avant d'utiliser cet outil. Le non-respect de toutes les instructions énumérées ci-dessous peut entraîner un choc électrique, un incendie et / ou des blessures graves.

CONSERVEZ TOUTES LES CONSIGNES DE SÉCURITÉ ET TOUTES LES INSTRUCTIONS POUR POUVOIR VOUS Y RÉFÉRER ULTÉRIEUREMENT.

SYMBOLES DE SÉCURITÉ

⚠ AVERTISSEMENT : L'utilisation d'un outil électrique peut provoquer la projection d'objets étrangers dans vos yeux, ce qui peut entraîner des lésions oculaires graves. Avant de commencer à utiliser l'outil électrique, portez toujours un masque de sécurité ou des lunettes de sécurité avec des protections latérales et une visière complète si nécessaire. Nous vous recommandons de porter un masque de sécurité à vision panoramique par-dessus des lunettes de vue ou des lunettes de sécurité standards avec des protections latérales.



Alerte de sécurité



Portez toujours une protection auditive et une protection oculaire lors de l'utilisation de ce produit.



Niveau de puissance acoustique garanti.
Émission de bruit dans l'environnement conformément à la directive CE.



Les produits électriques usagés ne doivent pas être jetés avec les ordures ménagères. Apportez-les dans un centre de recyclage agréé.



Courant continu



Tension



Millimètre



Pour réduire le risque de blessures, l'utilisateur doit lire et comprendre le manuel d'utilisation avant d'utiliser ce produit.



Maintenir toutes les autres personnes éloignées d'au moins 15 m.



Ce produit est conforme aux directives CE applicables.



Cette machine est conforme à la législation britannique applicable.



Protection contre les éclaboussures d'eau



Par minute



Régime à vide

CONSIGNES DE SÉCURITÉ GÉNÉRALES POUR LA MACHINE

FR

⚠ AVERTISSEMENT: LISEZ TOUTES LES MISES EN GARDE, CONSIGNES, ILLUSTRATIONS ET SPÉCIFICATIONS FOURNIES AVEC CETTE MACHINE.

Le non-respect des consignes figurant ci-dessous peut provoquer un choc électrique, un incendie et/ou des blessures graves.

CONSERVEZ TOUTES LES CONSIGNES DE SÉCURITÉ ET TOUTES LES INSTRUCTIONS POUR POUVOIR VOUS Y RÉFÉRER ULTÉRIEUREMENT.

Le terme « machine » utilisé dans les consignes de sécurité désigne votre machine fonctionnant sur le secteur (filaire) ou sur batterie (sans fil).

SÉCURITÉ DE L'AIRE DE TRAVAIL

- **Maintenez l'aire de travail propre et bien éclairée.**
Les endroits sombres ou désordonnés augmentent les risques d'accident.
- **N'utilisez pas les machines dans des atmosphères explosives, par exemple en présence de liquides, de gaz ou de poussières inflammables.** Les machines génèrent des étincelles pouvant enflammer poussières et vapeurs.
- **Veillez à ce que les enfants et les passants restent éloignés de la machine pendant l'utilisation.** Un moment d'inattention peut vous faire perdre le contrôle de l'outil.

SÉCURITÉ ÉLECTRIQUE

- **La fiche de la machine doit correspondre à la prise électrique. Ne modifiez jamais la prise de quelque manière que ce soit. N'utilisez jamais d'adaptateur avec des machines pourvues d'une mise à la terre.** Les fiches non modifiées et les prises électriques appropriées réduisent le risque de choc électrique.
- **Évitez tout contact physique avec des surfaces mises à la terre ou mises à la masse, telles que tuyaux, radiateurs, fours et réfrigérateurs.** Il y a un risque accru de choc électrique si votre corps est relié à la terre ou à la masse, directement ou indirectement.
- **N'exposez pas les machines à la pluie ou à l'humidité.** Si de l'eau pénètre dans une machine, cela accroît le risque d'électrocution.
- **Prenez soin du câble d'alimentation. N'utilisez jamais le cordon d'alimentation pour porter, tirer ou débrancher la machine. Veillez à ce que le câble d'alimentation n'entre jamais en contact avec de**

l'huile, des pièces mobiles, des arêtes tranchantes, et ne soit jamais exposé à de la chaleur. Les câbles d'alimentation endommagés ou emmêlés augmentent le risque de choc électrique.

- **Quand vous utilisez une machine en extérieur, utilisez une rallonge électrique adaptée à un usage en extérieur.** L'utilisation d'une rallonge conçue pour un usage en extérieur permet de réduire le risque de choc électrique.
- **S'il est impossible d'éviter d'utiliser une machine dans un endroit humide, utilisez une alimentation protégée par un disjoncteur de fuite à la terre.** L'utilisation d'un DDFT réduit le risque de choc électrique.

SÉCURITÉ DES PERSONNES

- **Faites preuve de vigilance et de concentration sur ce que vous faites et exercez votre bon sens lors de l'utilisation d'une machine. N'utilisez pas une machine quand vous êtes fatigué(e), sous l'emprise de l'alcool, de stupéfiants ou de médicaments.** Un moment d'inattention pendant l'utilisation d'une machine peut provoquer des blessures corporelles graves.
- **Utilisez des équipements de protection individuelle. Portez toujours une protection oculaire.** L'utilisation d'équipements de protection appropriés aux conditions de travail, tels qu'un masque anti-poussières, des chaussures de sécurité antidérapantes, un casque et des protections auditives, permet de réduire les risques de blessures corporelles.
- **Évitez les démarrages accidentels. Vérifiez que l'interrupteur marche/arrêt est dans la position arrêt avant de brancher la machine dans une prise électrique et/ou d'insérer la batterie, de le saisir ou de le transporter.** Transporter des machines avec le doigt sur l'interrupteur marche/arrêt ou mettre sous tension des machines dont l'interrupteur est en position marche augmente le risque d'accidents.
- **Retirez toutes les clés de réglage et de serrage avant de mettre la machine en marche.** Une clé de réglage ou de serrage laissée sur une pièce rotative de la machine peut provoquer des blessures corporelles.
- **N'essayez pas d'atteindre des endroits difficiles d'accès. Conservez en permanence un bon appui et un bon équilibre.** Cela permet un meilleur contrôle de la machine en cas de situations inattendues.
- **Portez une tenue adaptée. Ne portez pas de vêtements amples ni de bijoux. Maintenez vos cheveux et vos vêtements à distance des pièces mobiles.** Les vêtements amples, les bijoux et les

cheveux longs peuvent se prendre dans les pièces mobiles.

- **Si un outil est conçu pour être utilisé avec des dispositifs d'extraction et de récupération des poussières, veillez à ce que ces dispositifs soient raccordés et correctement utilisés.** L'utilisation de dispositifs anti-poussières permet de réduire les dangers liés aux poussières.
- **Continuez à respecter les principes de sécurité même si vous vous sentez familiarisé(e) à l'utilisation de la machine.** La négligence peut provoquer des blessures graves en une fraction de seconde.

UTILISATION ET ENTRETIEN DE LA MACHINE

- **Ne forcez pas sur la machine. Utilisez une machine adaptée à votre travail.** L'utilisation d'une machine qui convient au travail à effectuer permet de réaliser ce travail plus efficacement, avec une sécurité accrue et au rythme pour lequel la machine a été conçue.
- **N'utilisez pas la machine si son interrupteur marche/arrêt ne permet pas de l'allumer et de l'éteindre.** Une machine qui ne peut pas être contrôlée avec son interrupteur marche/arrêt est dangereuse et doit être réparée.
- **Débranchez la fiche de la source d'alimentation et/ou la batterie de la machine avant d'effectuer des réglages, de changer d'accessoires ou de ranger la machine.** De telles mesures de sécurité préventives réduisent le risque de démarrage accidentel de la machine.
- **Conservez la machine à l'arrêt hors de portée des enfants et ne laissez pas des personnes non familiarisées avec la machine ou les présentes consignes utiliser la machine.** Les machines sont dangereuses dans les mains d'utilisateurs non formés.
- **Entretenez les machines et les accessoires. Contrôlez la machine pour vérifier qu'aucune pièce mobile n'est grippée ou mal alignée, qu'aucune pièce n'est cassée, et pour tout autre problème qui pourrait affecter son fonctionnement. Si elle est endommagée, faites réparer la machine avant utilisation.** De nombreux accidents sont dus à des machines mal entretenues.
- **Veillez à ce que les machines de coupe restent affûtées et propres.** Des machines de coupe bien entretenues et affûtées risquent moins de se coincer et sont plus faciles à contrôler.
- **Utilisez la machine, ses accessoires, mâches/embouts et toutes les autres pièces conformément au présent mode d'emploi, en prenant en compte les conditions d'utilisation et le travail à effectuer.** L'utilisation de la machine à d'autres finalités que celles pour lesquelles elle a été conçue peut engendrer des situations dangereuses.
- **Maintenez les poignées et surfaces de préhension propres, sèches et exemptes d'huile et de graisse.** Les poignées et surfaces de préhension glissantes ne permettent pas de tenir et de contrôler la machine de manière sûre en cas de situations inattendues.

UTILISATION ET ENTRETIEN DE LA BATTERIE DE LA MACHINE

- **Rechargez la batterie exclusivement avec le chargeur spécifié par le fabricant.** Un chargeur adapté à un type de batterie en particulier peut présenter un risque d'incendie s'il est utilisé avec un type de batterie différent.
- **Utilisez les machines uniquement avec la batterie indiquée.** L'utilisation de toute autre batterie peut engendrer un risque de blessures et d'incendie.
- **Lorsque la batterie n'est pas utilisée, elle doit être rangée à l'écart de tout objet métallique, tel que les trombones, pièces de monnaie, clés, clous, vis et tous les autres petits objets métalliques pouvant mettre en contact ses bornes.** Mettre en court-circuit les bornes de la batterie peut provoquer des brûlures et un incendie.
- **Si la batterie est soumise à des conditions d'utilisation excessives, du liquide peut s'en échapper. Évitez tout contact avec ce liquide. En cas de contact accidentel, rincez à grande eau. En cas de contact avec les yeux, vous devez en outre consulter un médecin.** Le liquide qui s'échappe de la batterie peut provoquer des irritations et des brûlures.
- **N'utilisez pas une batterie ou une machine endommagée ou modifiée.** Les batteries modifiées ou endommagées peuvent avoir un comportement imprévisible susceptible de provoquer un incendie, une explosion ou un risque de blessure.
- **N'exposez pas la batterie ou la machine à des flammes ou à une température excessive.** L'exposition au feu ou à des températures supérieures à 130 °C peut provoquer une explosion.
- **Respectez toutes les consignes de recharge et ne rechargez pas la batterie ou la machine hors de la plage de température spécifiée dans les consignes.** La recharge incorrecte ou à des températures hors

de la plage spécifiée peut endommager la batterie et accroître le risque d'incendie.

RÉPARATION

FR

- **Faites réparer votre machine par un réparateur qualifié qui ne doit utiliser que des pièces de rechange identiques.** Ceci permet de garantir la sécurité de la machine.
- **Ne réparez jamais les batteries endommagées.** La réparation des batteries doit toujours être effectuée par le fabricant ou des réparateurs agréés.

AVERTISSEMENTS DE SÉCURITÉ POUR LES SOUFFLEURS ET LES ASPIRATEURS

- **N'utilisez pas la machine par mauvais temps, notamment lorsqu'il y a un risque de foudre.** Cela réduit le risque d'être frappé(e) par la foudre.
- **Inspectez fréquemment le sac collecteur pour vérifier qu'il n'est ni usé ni détérioré.** Un collecteur de déchets usé ou endommagé peut augmenter le risque de blessures.
- **Portez des lunettes de protection et des protections auditives.** Un équipement de protection adéquat réduira le risque de blessures.
- **Lors de l'utilisation de la machine, portez toujours des chaussures antidérapantes et protectrices. N'utilisez pas la machine si vous êtes pieds nus ou si vous portez des sandales ouvertes.** Cela réduit le risque de blessure aux pieds.
- **Ne portez pas de vêtements amples ou d'articles tels que foulards, ficelles, chaînes, cravates, etc. qui pourraient être aspirés dans les entrées d'air.** Attachez les cheveux longs ou couvrez-les pour éviter qu'ils ne soient aspirés par les entrées d'air. Si l'un de ces éléments est aspiré dans les entrées d'air, le risque de blessures augmente.
- **Gardez les passants éloignés lorsque vous utilisez la machine.** Les débris projetés peuvent augmenter le risque de blessures.
- **Ne pas utiliser en mode aspirateur sans le collecteur de déchets en place.** Les objets projetés peuvent augmenter le risque de blessures.
- **Ne dirigez jamais la buse du souffleur en direction des personnes ou des animaux domestiques, ni en direction des fenêtres.** Faites preuve d'une grande prudence lorsque vous soufflez des débris à proximité d'objets solides, tels que des arbres, des voitures et des murs, car ils peuvent faire ricocher les débris. Les objets projetés peuvent endommager les biens et augmenter le risque de blessures.
- **N'utilisez pas l'appareil pour souffler ou ramasser des objets brûlants ou fumants, tels que des cigarettes, des allumettes ou des cendres chaudes.** Ces sources de feu peuvent augmenter le risque d'incendie.
- **N'aspirez pas d'eau ou d'autres liquides et n'immergez aucune partie de la machine dans un liquide.** L'eau pénétrant dans la machine peut augmenter le risque de choc électrique.
- **N'aspirez pas de pierres, de gravier, de métal ou de verre brisé.** La roue du souffleur pourrait être endommagée, ce qui augmenterait le risque de blessures.
- **Ne touchez pas le ventilateur lorsqu'il est en mouvement. Éteignez la machine et attendez que le ventilateur s'arrête avant de retirer toute pièce pouvant donner accès au ventilateur.** Cela permet de réduire le risque de blessures causées par les pièces mobiles.
- **Lors de l'élimination des bourrages ou de l'entretien de la machine, assurez-vous que l'interrupteur marche/arrêt soit sur sa position arrêt.** Un démarrage inattendu de la machine pendant le déblaiement d'un matériau coincé ou l'entretien peut entraîner des blessures graves.

LISEZ TOUTES LES INSTRUCTIONS AVANT D'UTILISER CE PRODUIT!

FORMATION

- **N'autorisez jamais les enfants, les personnes dont les capacités physiques, sensorielles ou mentales sont réduites, les personnes manquant d'expérience et de connaissance, et les personnes non familiarisées avec ce manuel d'utilisation à utiliser l'outil.**
- **L'opérateur ou l'utilisateur est responsable des accidents ou dommages causés à des tiers ou à leurs biens.**

PRÉPARATION

- **La machine peut être utilisée sous la pluie et dans les environnements mouillés. Séchez la machine après avoir terminé le travail.**
- **Avant utilisation, inspectez les batteries pour vérifier qu'elles ne sont pas endommagées.**

N'utilisez pas l'outil si les batteries sont endommagées.

FONCTIONNEMENT

- **La machine peut être utilisée sous la pluie et dans les environnements mouillés. Séchez la machine après avoir terminé le travail.**
- **Débranchez les batteries :**
 1. À chaque fois que vous laissez l'outil sans surveillance.
 2. Avant d'éliminer un bourrage.
 3. Avant d'inspecter, de nettoyer ou de travailler sur l'outil.
 4. Si l'outil se met à vibrer anormalement.
- **Ayez toujours des appuis des pieds sûrs sur les pentes.**
- **Marchez, ne courez jamais.**
- **Veillez à ce que toutes les ouïes de refroidissement restent toujours libres de tout débris.**
- **Il est recommandé d'utiliser l'outil uniquement à des horaires raisonnables – Ne l'utilisez pas tôt le matin ou tard le soir, car cela peut déranger vos voisins.**
- **Il est recommandé de légèrement humidifier les surfaces des environnements poussiéreux ou d'utiliser un accessoire de brumisation.**

⚠ AVERTISSEMENT: Danger dû aux pièces rotatives !

- **Utilisez tous les tubes d'extension de soufflage de la machine pour que le jet d'air soit projeté près du sol.**
- **N'utilisez pas l'outil près de fenêtres ouvertes, etc.**

ENTRETIEN ET RANGEMENT

- **Veillez à ce que tous les écrous, vis et boulons soient bien serrés pour garantir que l'outil est en bon état de marche.**
- **Changez les pièces usées ou endommagées.**
- **Utilisez exclusivement des pièces de rechange et des accessoires d'origine.**
- **Rangez l'appareil uniquement dans un endroit sec.**

⚠ AVERTISSEMENT: Pour réduire les risques d'incendie, de choc électrique ou de blessures :

IMPORTANT

LIRE ATTENTIVEMENT AVANT UTILISATION.

CONSERVER POUR CONSULTATION ULTÉRIEURE.

- **Ne laissez pas la machine être utilisée comme un jouet. Une supervision étroite est nécessaire quand l'outil est utilisé par ou à proximité d'enfants.**
- **Si la machine ne fonctionne pas comme elle devrait, si elle est tombée, si elle a été endommagée ou si elle est tombée dans de l'eau, apportez-la à un centre de réparation.**
- **N'insérez aucun objet dans les ouvertures. N'utilisez pas le produit si l'une de ses ouvertures est bouchée. Maintenez toutes les ouvertures exemptes de poussières, peluches, cheveux/poils et de tout ce qui pourrait réduire le flux d'air.**
- **Faites particulièrement attention quand vous nettoyez des escaliers.**
- **Ne laissez pas la machine sans surveillance quand la fiche de la batterie est insérée. Retirez la batterie quand la machine n'est pas utilisée et avant de la réparer/de l'entretenir.**
- **Ne manipulez pas le chargeur, y compris sa fiche ou ses contacts, avec les mains mouillées.**
- **Ne rechargez pas la batterie à l'extérieur.**

⚠ AVERTISSEMENT:

- La batterie doit être retirée de la machine avant la mise au rebut.
- La batterie doit être mise au rebut d'une manière sûre.
- **N'ESSAYEZ PAS** d'enlever les bourrages de l'outil sans avoir d'abord retiré la batterie.
- **Veillez à ce que la machine et sa poignée restent propres, secs et exempts d'huile et de graisse.** Utilisez toujours un chiffon propre pour nettoyer l'appareil. N'utilisez jamais de liquide de frein, d'essence, de produit à base de pétrole ni de solvant agressif pour nettoyer votre machine. Le respect de cette règle permet de réduire le risque de perte de contrôle et de détérioration du plastique du boîtier.
- **Les batteries peuvent exploser en présence d'une source d'embranchement, par exemple une flamme pilote.** Pour réduire le risque de blessure corporelle

FR

grave, n'utilisez jamais aucun produit sans fil en présence d'une flamme nue. Une batterie qui explose peut projeter des débris et des substances chimiques. En cas d'exposition, rincez immédiatement à grande eau.

- **Né faites jamais fonctionner l'outil sans l'équipement approprié attaché.** Assurez-vous toujours que le tube de la machine est bien installé.
- **N'utilisez jamais la machine à proximité de feux ou de cendres chaudes.** L'utilisation près de feux ou de cendres peut provoquer la propagation des flammes et engendrer des blessures graves et/ou des dommages matériels.
- **N'utilisez jamais la machine pour répandre des produits chimiques, des engrais, ni aucune autre substance toxique.** Répandre ces substances peut provoquer des blessures graves chez l'opérateur et les autres personnes présentes.
- **Conservez le présent mode d'emploi.** Consultez-la fréquemment et servez-vous-en pour informer les autres personnes souhaitant utiliser cette machine. Si vous prêtez cette machine à un tiers, prêtez-lui également ce manuel pour éviter une utilisation incorrecte du produit et un risque de blessures potentielles.

CONSERVEZ CE MANUEL D'UTILISATION !

SPÉCIFICATIONS

Tension nominale		56 V
Souffleur	Volume d'air maximal	850 m ³ /h
	Vitesse maximale de l'air	64 m/s (avec tube de soufflage uniquement) 93 m/s (avec buse conique)
	Force de soufflage maximale	15 N
Capacité du sac à feuilles		40 liter
Max. Vitesse de déchetage		16 : 1
Poids (sans batterie ni buse)		5,8 kg (aspiration) 4,2 kg (souffleur)

Température d'utilisation recommandée	-15°C-40°C
Température de stockage recommandée	-20°C-70°C
Température de charge recommandée	5°C-40°C
Niveau de puissance acoustique mesuré L _{WA}	100 dB(A) K=1,9 dB(A)
Niveau de pression acoustique à la position de fonctionnement L _{PA}	88 dB(A) K=3 dB(A)
Niveau de puissance acoustique garanti L _{WA} (d'après 2000/14/CE)	102 dB(A)
Vibrations a _n	Max. 1,80 m/s ² K=1,5 m/s ²

- La valeur totale des vibrations indiquée a été mesurée selon une procédure conforme à une méthode de test standardisée et peut servir pour comparer différents outils.
- La valeur totale des vibrations déclarée peut également servir pour effectuer une évaluation préliminaire de l'exposition.

REMARQUE : Le niveau de vibrations lors de l'utilisation réelle de l'outil peut être différent de la valeur déclarée totale en fonction de la manière dont l'outil est utilisé ; Afin de protéger l'opérateur, l'utilisateur doit porter des gants et des protecteurs d'oreilles en conditions réelles d'utilisation.

CONTENU DE L'EMBALLAGE (FIG. A1)

DESCRIPTION

DESCRIPTION D VOTRE ASPIRATEUR DE FEUILLES (Fig. A1)

1. Buse d'aspiration
2. Tube d'aspiration
3. Poignée de transport pour l'aspirateur
4. Grille d'arrivée d'air
5. Poignée avant
6. Bouton de déblocage de la batterie
7. Cadran de vitesse / verrouillage
8. Attache de sangle d'épaule
9. Poignée principale

- 10. Gâchette de la vitesse de l'air
- 11. Sac à feuilles
- 12. Sangle d'épaule
- 13. Contacts électriques
- 14. Loquet
- 15. Tube de soufflage
- 16. Buse conique

ASSEMBLAGE

⚠ AVERTISSEMENT: Si une ou plusieurs pièces sont manquantes ou endommagées, n'utilisez pas cet outil tant que toutes les pièces n'ont pas été remplacées. Utilisez cet outil avec des pièces endommagées ou manquantes peut provoquer des blessures corporelles graves.

⚠ AVERTISSEMENT: N'essayez pas de modifier ce produit ni de créer des accessoires non recommandés pour être utilisés avec ce produit. De tels modifications et changements constituent un usage impropre et peuvent engendrer des situations dangereuses pouvant conduire à des blessures corporelles graves.

⚠ AVERTISSEMENT: Pour éviter un démarrage accidentel pouvant provoquer des blessures graves, retirez toujours la batterie de la machine avant d'assembler des pièces.

REMARQUE : La machine ne peut pas être démarrée tant que le tube de soufflage ou l'aspirateur et le sac à feuilles ne sont pas complètement et correctement assemblés.

ASSEMBLER/RETIRER LE TUBE DE SOUFFLAGE

Pour assembler (Fig. B1 & B2)

Alignez la rainure et poussez le tube sur le boîtier du souffleur jusqu'à ce que la manette de verrouillage du tube du souffleur se verrouille.

B-1	Manette de verrouillage du tube de soufflage
-----	--

Pour retirer (Fig. B3)

Appuyez sur la manette de verrouillage du souffleur pour désengager le loquet, puis retirez le tube.

MONTAGE/RETRAIT DE LA BUSE CONIQUE DU SOUFFLEUR

Pour assembler (Fig. C1 & C2)

Alignez la rainure de la buse conique avec le bouton du

tube et poussez la buse sur le tube jusqu'à ce qu'elle se mette en place.

Pour retirer (Fig. C3)

Appuyez sur le bouton de déverrouillage de la buse et maintenez-le enfoncé pour désengager le verrou, puis retirez la buse directement du tube du souffleur.

MONTAGE/DÉMONTAGE DE L'ASPIRATEUR

Assemblage de la buse d'aspiration (Fig. D)

REMARQUE : Lorsque le tube et l'embout de l'aspirateur sont raccordés pour la première fois, ils deviennent un ensemble qui ne peut plus être démonté.

Alignez la rainure et poussez la buse sur le tube d'aspiration jusqu'à ce que le bouton de verrouillage de la buse se verrouille en place.

Assemblage de l'aspirateur

1. Appuyez sur le levier de verrouillage du tube d'aspiration pour libérer la grille d'arrivée d'air, puis ouvrez la grille (Fig. E1 et E2).

E-1	Manette de verrouillage du tube d'aspiration
-----	--

2. Alignez les deux coins carrés surélevés de l'aspirateur avec les deux rainures carrées encastrées à l'entrée d'air comme indiqué sur la fig. E3 pour enclencher l'aspirateur.
3. Appuyez l'aspirateur sur l'arrivée d'air jusqu'à ce que la manette de verrouillage du tube d'aspiration se verrouille (Fig. E4).
4. Appuyez la grille d'arrivée d'air contre l'aspirateur (Fig E5).

Assemblage du sac à feuilles (Fig. F)

1. Alignez la rainure et poussez le connecteur du sac à feuilles sur le boîtier de l'aspirateur jusqu'à ce que la manette de verrouillage du sac à feuilles se verrouille.

F-1	Connecteur du sac à feuilles	F-3	Boucle du sac à feuilles
F-2	Manette de verrouillage du sac à feuilles		

2. Accrochez la boucle du sac à feuilles au crochet de l'aspirateur comme indiqué sur la figure F.

Enlèvement et vidage du sac à feuilles (Fig. G1)

1. Retirez la boucle du sac à feuilles du crochet de l'aspirateur.
2. Appuyez sur la manette de verrouillage du sac à feuilles pour désengager le loquet, puis retirez le sac.
3. Ouvrez la fermeture éclair pour vider le sac à feuilles.

G-1	Fermeture éclair
-----	------------------

Démontage de l'aspirateur (Fig. G2 et G3)

1. Appuyez sur la manette de verrouillage du tube d'aspiration pour déverrouiller le tube.
2. Enlevez l'aspirateur.
3. Appuyez sur la grille d'arrivée d'air vers l'entrée d'air jusqu'à ce que la manette de verrouillage se verrouille.

FIXATION DE LA SANGLE D'ÉPAULE (Fig. H)

Appuyez sur les mousquetons à sangle pour les ouvrir et fixez-les sur les points d'accrochage de la bandoulière situés à chaque extrémité de la machine.

Il y a deux manières de défaire la sangle. Enlevez-la directement de votre épaule ou appuyez sur l'un des mousquetons pour détacher la bandoulière du cintre de la bandoulière.

⚠ AVERTISSEMENT: Lorsque vous portez la bandoulière, rien ne doit interférer avec son retrait.

⚠ AVERTISSEMENT: En cas d'urgence, retirez la bandoulière immédiatement de votre épaule, peu importe la façon dont vous la portez.

⚠ AVERTISSEMENT: N'utilisez pas la bandoulière simple et la bandoulière double simultanément.

⚠ AVERTISSEMENT: N'utilisez pas la bandoulière et le lien du sac à dos BH1000 EGO en même temps. Cela empêche une éventuelle libération d'urgence rapide de la machine, qui comporterait un risque de blessure.

FONCTIONNEMENT

⚠ AVERTISSEMENT: Veillez à ne pas devenir moins prudent(e) au fur et à mesure que vous vous familiarisez avec cet outil. Gardez à l'esprit qu'une fraction de seconde d'inattention peut suffire pour provoquer des blessures graves.

⚠ AVERTISSEMENT: Portez toujours une protection oculaire avec boucliers latéraux et une protection auditive.

Sans protection, des objets peuvent être projetés dans vos yeux et d'autres blessures graves peuvent se produire.

⚠ AVERTISSEMENT: Pour prévenir un démarrage accidentel pouvant provoquer des blessures corporelles graves, veillez à ce que la batterie soit toujours retirée quand vous assemblez une pièce, faites un réglage, nettoyez et quand vous n'utilisez pas l'appareil.

⚠ AVERTISSEMENT: N'utilisez aucun accessoire ou pièce non recommandé par le fabricant de ce produit. L'utilisation d'accessoires ou de pièces non recommandés peut provoquer des blessures corporelles graves.

Avant chaque utilisation, inspectez le produit complet à la recherche de pièces endommagées, manquantes ou desserrées telles que des vis, écrous, boulons, capuchons, etc. Serrez fermement toutes les fixations et capuchons et ne faites pas fonctionner ce produit tant que toutes les pièces manquantes ou endommagées n'ont pas été remplacées.

APPLICATIONS

Vous pouvez utiliser cet outil pour les usages listés ci-dessous :

- Ramasser les feuilles, l'herbe coupée et autres déchets.
- Nettoyer des surfaces dures, par exemple les voies d'accès et les allées.
- Garder les terrasses et les allées dégagées de feuilles.

REMARQUE : La machine ne doit être utilisée que pour son usage prévu. Toute autre utilisation est considérée comme inappropriée.

INSERTION / RETRAIT DE LA BATTERIE

Utilisez exclusivement les batteries et les chargeurs EGO listés à la Fig.A2.

REMARQUE : Rechargez la batterie au maximum avant de l'utiliser pour la première fois.

Insertion

Alignez les arêtes de la batterie sur les rainures d'assemblage et poussez la batterie vers le bas jusqu'à entendre un déclic (Fig. I1).

Démontage (Fig. I2)

Appuyez sur le bouton de déblocage de la batterie et sortez la batterie (Fig. I2).

⚠ AVERTISSEMENT: Soyez toujours conscient de la position de vos pieds, des enfants et des animaux quand vous appuyez sur les boutons de déverrouillage de la

batterie. Risque de blessures graves en cas de chute de la batterie. Ne retirez JAMAIS la batterie depuis une hauteur.

DÉMARRAGE / ARRÊT DE LA MACHINE

Gâchette de vitesse d'air uniquement

1. Appuyez sur la gâchette de vitesse de l'air pour mettre la machine en marche.
2. La vitesse de l'air de la machine est contrôlée au moyen de la gâchette à vitesse variable. Plus de pression sur la gâchette accélère la vitesse d'air ; moins de pression sur la gâchette la ralentit. Ajustez la vitesse en fonction de la tâche à accomplir.
3. Relâchez la gâchette de vitesse de l'air pour arrêter la machine.

Cadran de vitesse / verrouillage uniquement

La machine peut être verrouillée à n'importe quelle vitesse avec le cadran de verrouillage de vitesse.

1. Tournez le cadran de vitesse/verrouillage vers le point d'accrochage de bandoulière le plus près pour démarrer la machine. La vitesse de l'air augmente au fur et à mesure que le cadran est tourné jusqu'à atteindre la vitesse maximale (MAX).
2. Pour diminuer la vitesse de l'air, tournez le cadran de vitesse/verrouillage dans le sens opposé.
3. Continuez à tourner le cadran de vitesse/verrouillage jusqu'à la position d'arrêt (O) pour arrêter la machine.

REMARQUE : Si le cadran de vitesse / verrouillage n'est pas remis en position d'arrêt avant le retrait de la batterie, le souffleur ne démarrera pas lorsqu'une batterie complètement chargée sera installée. Il s'agit d'une fonction de protection pour aider à prévenir un démarrage accidentel. Appuyez sur la gâchette de vitesse d'air pour désactiver la protection et démarrer le souffleur.

CONSEILS D'UTILISATION DU SOUFFLEUR (FIG. K)

Pour utiliser la machine comme souffleur, suivez les instructions de la section **ASSEMBLAGE** pour installer l'aspirateur.

- Pour éviter d'éparpiller les débris, soufflez autour des bords externes du tas de débris. Ne soufflez jamais directement au centre d'un tas.
- Pour réduire le niveau sonore, limitez le nombre d'outils utilisés au même moment.
- Avant de souffler, décoincez les débris avec un râteau et un balai. Dans les environnements poussiéreux, humidifiez légèrement les surfaces si de l'eau si disponible.

- Économisez l'eau en utilisant des pulvérisateurs électriques au lieu de tuyaux pour de nombreuses applications dans les jardins et pelouses, y compris dans les zones telles que les caniveaux, paravents, grilles, patios, porches et jardins.
- Faites attention aux enfants, animaux de compagnie, fenêtres ouvertes et voitures récemment nettoyées. Soufflez les débris en les éloignant d'une manière non dangereuse.
- Après avoir utilisé un souffleur ou un autre outil, nettoyez-le ! Mettez les débris au rebut d'une manière appropriée.

CONSEILS D'UTILISATION DU SOUFFLEUR (Fig. L)

Pour utiliser la machine pour aspirer, suivez les instructions de la section **ASSEMBLAGE** pour installer l'aspirateur, le sac à feuilles et la bandoulière.

- Inspectez fréquemment le sac à feuilles pour vérifier qu'il n'est ni usé ni détérioré.
- Pour éviter de soulever de la poussière, fermez complètement la fermeture éclair du sac à feuilles avant de démarrer la machine.
- Videz le sac de feuilles avant qu'il ne soit plein.
- Pour éviter que l'eau ne s'infilte dans la machine, utilisez la machine pour ramasser les feuilles mouillées du sol, mais pas dans une piscine.
- Ne laissez pas les sacs en plastique, les tissus et autres objets qui ne se cassent pas facilement et qui peuvent facilement s'em mêler à l'intérieur de la machine.

Ne laissez pas les matériaux durs, tels que les gros copeaux de bois, les métaux, le verre, les cailloux, etc., être aspirés dans la machine.

ENTRETIEN

⚠ AVERTISSEMENT: La machine ne doit être réparée qu'avec des pièces de rechange identiques. L'utilisation de toute autre pièce peut créer un danger ou détériorer l'outil. Pour garantir la sécurité et la fiabilité, toutes les réparations doivent être effectuées par un réparateur qualifié.

⚠ AVERTISSEMENT: Pour vous prémunir contre des blessures corporelles graves, retirez toujours la batterie de l'outil avant toute opération de nettoyage ou d'entretien.

ENTRETIEN GÉNÉRAL

FR

N'utilisez pas de solvant pour nettoyer les pièces en plastique. La plupart des plastiques peuvent être détériorés par de nombreux types de solvants vendus dans le commerce. Utilisez des chiffons propres pour enlever les saletés, les poussières, l'huile, la graisse, etc.

⚠ AVERTISSEMENT: Veillez à ce que les pièces en plastique de l'outil n'entrent jamais en contact avec du liquide de frein, de l'essence, des produits à base de pétrole, du dégrissant, etc. Les produits chimiques peuvent endommager, fragiliser ou détruire les pièces en plastique, ce qui peut provoquer des blessures corporelles graves.

RANGEMENT

- Retirez la batterie de la machine
- Enlevez toutes les matières étrangères des entrées d'air de la machine.
- Rangez l'outil en intérieur dans un endroit inaccessible aux enfants. Veillez à ce qu'il reste éloigné des produits corrosifs, par exemple des produits chimiques de jardinage et des sels de déverglaçage.

Protection de l'environnement



Ne jetez pas les équipements électriques, les batteries et les chargeurs usagés avec les ordures ménagères !

Apportez ce produit chez un recycleur agréé et rendez-le disponible pour une collecte séparée. Les outils électriques doivent être amenés dans un centre de recyclage pour assurer le respect de l'environnement.

GUIDE DE DÉPANNAGE

FR

PROBLÈME	CAUSE	SOLUTION
L'aspirateur de feuilles ne fonctionne pas.	<ul style="list-style-type: none"> ■ Aucun contact électrique entre l'aspirateur de feuilles et la batterie. ■ La batterie est déchargée. ■ La batterie ou le souffleur est trop chaud. ■ La machine n'est pas entièrement assemblée. 	<ul style="list-style-type: none"> ■ Retirez la batterie, inspectez les contacts, puis réinsérez la batterie. ■ Rechargez le bloc de batterie. ■ Laissez la batterie et l'aspirateur refroidir jusqu'à ce que leur température descende en dessous de 67°C. ■ Suivez les instructions de la section Assemblage pour assembler complètement et correctement la machine.
La vitesse de l'air baisse significativement.	<ul style="list-style-type: none"> ■ L'entrée d'air est bouchée par des débris. ■ La turbine du moteur est excessivement usée. ■ Le sac de feuilles est trop rempli. 	<ul style="list-style-type: none"> ■ Retirez les batteries, nettoyez les débris. ■ Contactez un centre de réparation EGO pour faire réparer l'outil. ■ Videz le sac à feuilles en suivant les instructions du chapitre Enlèvement et vidage du sac à feuilles dans la section ASSEMBLAGE.

GARANTIE

POLITIQUE DE GARANTIE EGO

Rendez-vous sur le site web egopowerplus.eu pour consulter l'intégralité des conditions de la politique de garantie EGO.

¡LEA TODAS LAS INSTRUCCIONES!



LEA EL MANUAL DEL USUARIO

ES

⚠ ADVERTENCIA: Para garantizar la seguridad y fiabilidad de la herramienta, las reparaciones debe realizarlas únicamente un técnico cualificado.

⚠ ADVERTENCIA: Antes de utilizar esta herramienta, asegúrese de haber leído y entendido perfectamente todas las instrucciones que aparecen en este manual del usuario, incluidos todos los símbolos de aviso sobre seguridad, como «PELIGRO», «ADVERTENCIA» y «PRECAUCIÓN». Si no se observan todas las instrucciones que se indican a continuación existe riesgo de incendio, electrocución y lesiones graves.

CONSERVE TODAS LAS INSTRUCCIONES Y ADVERTENCIAS PARA PODER CONSULTARLAS EN EL FUTURO.

SÍMBOLOS DE SEGURIDAD

⚠ ADVERTENCIA: Cuando se utilizan herramientas eléctricas, es posible que salgan despedidos objetos que podrían causar lesiones oculares graves. Antes de empezar a usar herramientas eléctricas, póngase siempre gafas de seguridad, gafas con cristales anti-impacto que cuenten con pantallas de protección lateral, o bien una máscara facial que proteja completamente la cara. Recomendamos usar una máscara de seguridad de amplia visión que pueda utilizarse encima de gafas graduadas, o bien gafas normales de seguridad equipadas con pantallas laterales.



Aviso de seguridad



Para reducir el riesgo de lesiones, el usuario debe leer y comprender el manual del usuario antes de utilizar este producto.



Utilice siempre protección auditiva y ocular cuando utilice este producto.



Todas las demás personas deben mantenerse a una distancia mínima de 15 m.



Nivel de potencia acústica garantizado. La emisión de ruido al medio ambiente cumple la directiva de la Comunidad Europea.



Este producto está en conformidad con las directivas de la CE aplicables.



Los productos eléctricos no deben eliminarse con la basura doméstica. Líévelos a un centro de reciclaje autorizado.



Este producto está en conformidad con la legislación aplicable del Reino Unido.



Corriente continua

IPX4 Protección contra salpicaduras de agua

V Tensión

./min Por minuto

mm Milímetro

n_0 Velocidad sin carga

ADVERTENCIAS GENERALES DE SEGURIDAD DE LA MÁQUINA

⚠️ ADVERTENCIA: LEA TODAS LAS ADVERTENCIAS DE SEGURIDAD, INSTRUCCIONES, ILUSTRACIONES Y ESPECIFICACIONES INCLUIDAS CON ESTA MÁQUINA.

Si no se cumplen todas las instrucciones que se enumeran a continuación, pueden producirse descargas eléctricas, incendios o lesiones graves.

CONSERVE TODAS LAS INSTRUCCIONES Y ADVERTENCIAS PARA PODER CONSULTARLAS EN EL FUTURO.

El término «máquina» que aparece en las advertencias se refiere a la máquina que funciona conectada a la red eléctrica (con cable) o a la máquina a batería (sin cable).

SEGURIDAD EN LA ZONA DE TRABAJO

- **Mantenga la zona de trabajo limpia y bien iluminada.** Las áreas de trabajo desordenadas y oscuras favorecen los accidentes.
- **No utilice máquinas en entornos explosivos, por ejemplo, en presencia de líquidos, gases o polvo inflamables.** Las máquinas crean chispas que pueden encender el polvo o los humos.
- **Mantenga a los niños y las demás personas alejados cuando esté utilizando una máquina.** Las distracciones podrían hacerle perder el control de la herramienta.

SEGURIDAD ELÉCTRICA

- **Los enchufes de las máquinas deben coincidir con la toma de corriente. No modifique nunca el enchufe de ningún modo. Nunca utilice enchufes adaptadores o ladrones de corriente con máquinas equipadas con conexión a tierra.** Si no se modifican los enchufes y estos corresponden con las tomas de corriente, se reducirán enormemente los riesgos de electrocución.
- **Evite cualquier contacto corporal con superficies conectadas a tierra, como tuberías, radiadores, hornillos eléctricos y frigoríficos.** Existe un mayor riesgo de descarga eléctrica si su cuerpo tiene conexión a tierra.
- **No exponga las máquinas a la lluvia o a condiciones de humedad.** La entrada de agua en una máquina aumentará el riesgo de descarga eléctrica.
- **No maltrate el cable. Nunca utilice el cable para transportar, arrastrar, o desenchufar la máquina. Mantenga el cable alejado del calor, el aceite, los**

bordes afilados o las piezas móviles. Los cables dañados o enredados aumentan el riesgo de descarga eléctrica.

- **Cuando use una máquina al aire libre, utilice un cable alargador adecuado para uso en exteriores.** Si se usa un cable adecuado para exteriores, se reducirá el riesgo de descarga eléctrica.
- **Si es inevitable usar una máquina en un entorno húmedo, utilice una alimentación con un interruptor de protección diferencial.** La utilización de un interruptor de protección diferencial reducirá el riesgo de descarga eléctrica.

SEGURIDAD PERSONAL

- **Manténgase alerta, preste atención a lo que está haciendo y aplique el sentido común durante el uso de una máquina. No utilice una máquina si está cansado o se encuentra bajo los efectos de estupefacientes, alcohol o fármacos.** Cualquier momento de descuido durante la utilización de máquinas podría provocar lesiones físicas graves.
- **Utilice equipo de protección personal. Utilice siempre protección ocular.** El equipo de protección, como máscaras antipolvo, calzado de seguridad antideslizante, casco protector o protección auditiva, cuando se utiliza adecuadamente, reduce las lesiones personales.
- **Evite la puesta en marcha accidental de la herramienta. Asegúrese de que el interruptor de encendido se encuentra en la posición de apagado antes de enchufar la máquina a la red eléctrica y/o de acoplar la batería, así como al agarrar o transportar la máquina.** Transportar máquinas con el dedo en el interruptor o con el interruptor en la posición de encendido aumenta el riesgo de accidente.
- **Retire cualquier llave de ajuste o llave inglesa de la máquina antes de encenderla.** Una llave inglesa o una llave de ajuste enganchada a una parte giratoria de la máquina puede producir lesiones.
- **No se estire demasiado para alcanzar lugares de difícil acceso. Mantenga una posición firme y equilibrada en todo momento.** De este modo podrá controlar mejor la máquina en situaciones inesperadas.
- **Utilice ropa adecuada. No lleve ropa holgada ni joyas. Mantenga el pelo y la ropa alejados de las piezas móviles.** La ropa holgada, así como las joyas o el pelo largo podrían engancharse en las partes móviles.

- **Si se incluyen dispositivos de conexión a extractores y colectores de polvo, asegúrese de conectarlos y utilizarlos adecuadamente.** La utilización de dispositivos colectores de polvo puede reducir los peligros ocasionados por el polvo.
- **El hecho de haberse familiarizado con la máquina por el uso frecuente no debe hacer que se descuide e ignore los principios de seguridad de la misma.** Una distracción puede provocar lesiones graves en una fracción de segundo.

USO Y CUIDADO DE LA MÁQUINA

- **No fuerce la máquina. Utilice la máquina correcta para su aplicación.** La máquina correcta funcionará mejor y con más seguridad a la velocidad para la que ha sido diseñada.
- **No use la máquina si el interruptor no funciona para encenderla y apagarla.** Cualquier máquina que no pueda controlarse mediante su interruptor, supondrá un peligro y deberá repararse antes de poder utilizarse.
- **Desconecte el enchufe de la toma de corriente o quite la batería de la máquina antes de realizar algún ajuste, cambiar accesorios o guardarla.** Estas medidas preventivas de seguridad reducirán enormemente el riesgo de que la máquina pueda activarse de manera fortuita.
- **Cuando no se utilice la máquina, guárdela fuera del alcance de los niños y no permita que la use ninguna persona que no esté familiarizada con la máquina o con estas instrucciones.** Las máquinas son peligrosas si las usan personas sin experiencia.
- **Realice el mantenimiento de las máquinas y los accesorios. Compruebe si hay elementos móviles desalineados o trabados, piezas rotas u otra circunstancia que pueda afectar al funcionamiento de la máquina. Si la máquina está dañada, llévela a reparar antes de usarla.** Muchos accidentes se deben a un mantenimiento deficiente de las máquinas.
- **Mantenga las máquinas de corte afiladas y limpias.** Las máquinas de corte bien afiladas tienen menos probabilidades de atascarse y son más fáciles de controlar.
- **Use la máquina, los accesorios, las brocas, etc., siguiendo las instrucciones y teniendo en cuenta las condiciones de trabajo y la tarea a realizar.** El uso de la máquina para fines diferentes a los previstos podría provocar situaciones de peligro.
- **Mantenga las asas y las superficies de agarre secas, limpias y libres de aceite y grasa.** Si las

asas y las superficies de agarre están resbaladizas, no se puede manejar la máquina de forma segura ni mantener el control en las situaciones inesperadas.

USO Y CUIDADO DE LA MÁQUINA A BATERÍA

- **Recargue únicamente con el cargador especificado por el fabricante.** Un cargador que es adecuado para un tipo de batería podría ocasionar un incendio si se utiliza con una batería distinta.
- **Utilice las máquinas solo con las baterías diseñadas específicamente para ellas.** El uso de cualquier otro tipo de batería puede provocar riesgo de lesiones e incendio.
- **Cuando no se esté utilizando la batería, manténgala apartada de objetos metálicos como clips para papeles, monedas, llaves, clavos, tornillos, o cualquier otro objeto metálico pequeño que pudiera provocar un cortocircuito en sus terminales de corriente.** Si se provoca el cortocircuito en los terminales de la batería, podrían producirse quemaduras o incendios.
- **En condiciones de uso intensivo, es posible que se produzca una fuga de líquido de la batería; evite el contacto. Enjuague con agua si se produce un contacto accidental. Si el líquido entra en contacto con los ojos, solicite también atención médica.** El líquido que emana de la batería puede provocar irritaciones o quemaduras.
- **No utilice una batería o una máquina que haya sido modificada o que esté dañada.** Las baterías dañadas o modificadas pueden tener un comportamiento impredecible y provocar un incendio, explosión o riesgo de lesiones.
- **No ponga la batería ni la máquina al fuego ni a una temperatura excesiva.** La exposición al fuego o a una temperatura superior a 130°C podría provocar una explosión.
- **Siga todas las instrucciones de carga y no cargue la batería ni la máquina fuera del rango de temperatura especificado en las instrucciones.** Una carga incorrecta o a temperaturas fuera del rango especificado puede dañar la batería y aumentar el riesgo de incendio.

SERVICIO TÉCNICO

- **Las reparaciones de la máquina debe realizarlas un técnico cualificado, utilizando solo piezas de recambio idénticas.** Solo de este modo podrá garantizarse la seguridad de la máquina.

- **No repare nunca baterías que estén dañadas.** Las baterías solo debe repararlas el fabricante o un centro de servicio técnico autorizado.

ADVERTENCIAS DE SEGURIDAD DEL SOPLADOR/ASPIRADOR

- **No utilice la máquina cuando haga mal tiempo, especialmente si hay riesgo de relámpagos.** Así reducirá el riesgo de ser alcanzado por un rayo.
- **Compruebe con frecuencia el dispositivo colector de residuos por si mostrara indicios de desgaste o deterioro.** Un colector de residuos desgastado o dañado puede aumentar el riesgo de lesiones personales.
- **Lleve protección ocular y auditiva.** Un equipo de protección adecuado reducirá el riesgo de lesiones personales.
- **Cuando utilice la máquina, lleve siempre calzado antideslizante y de protección. No utilice la máquina cuando vaya descalzo o lleve puestas sandalias abiertas.** Esto reduce el riesgo de lesiones en los pies.
- **No lleve ropa holgada ni artículos como bufandas, cordones, cadenas, corbatas, etc., que puedan introducirse en las entradas de aire.** Recójase o cúbrase el pelo largo para evitar que se introduzca en las entradas de aire. Si alguno de estos objetos es aspirado por las entradas de aire, puede aumentar el riesgo de lesiones personales.
- **Mantenga a otras personas apartadas de la zona cuando esté utilizando la máquina.** Los residuos arrojados pueden aumentar el riesgo de lesiones personales.
- **No utilizar en modo de aspiración sin el recogedor de residuos colocado.** Los objetos arrojados pueden aumentar el riesgo de lesiones personales.
- **No apunte nunca la boquilla del soplador en dirección a personas o animales domésticos ni hacia las ventanas. Extreme las precauciones al soplar desperdicios cerca de objetos sólidos, como árboles, automóviles y muros que pueden hacer que los desperdicios reboten.** Los objetos arrojados pueden provocar daños materiales y aumentar el riesgo de lesiones personales.
- **No utilice la máquina para recoger o soplar nada que esté ardiendo o humeando, como cigarrillos, cerillas o cenizas calientes.** Estas fuentes de ignición pueden aumentar el riesgo de incendio.

- **No aspire agua u otros líquidos ni sumerja ninguna parte de la máquina en líquido.** La entrada de agua en la máquina puede aumentar el riesgo de descarga eléctrica.
- **No aspire piedras, grava, metal o cristales rotos.** La rueda del ventilador puede dañarse y aumentar el riesgo de lesiones personales.
- **No toque el ventilador mientras esté en movimiento. Apague la máquina y espere hasta que el ventilador se detenga antes de retirar cualquier pieza que pueda dar acceso al ventilador.** Esto reduce el riesgo de lesiones causadas por las piezas móviles.
- **Cuando limpie el material atascado o realice el mantenimiento de la máquina, asegúrese de que el interruptor de alimentación está apagado.** Un arranque inesperado de la máquina al quitar material atascado o realizar el mantenimiento puede provocar lesiones graves.

ES

¡LEA TODAS LAS INSTRUCCIONES ANTES DE UTILIZAR ESTE PRODUCTO!

FORMACIÓN

- **No permita nunca que utilicen la máquina niños o personas con discapacidades físicas, sensoriales o mentales, o que no cuenten con la experiencia o los conocimientos necesarios, ni quienes no estén familiarizados con estas instrucciones.**
- **El operario o usuario es responsable de cualquier accidente o peligro que se produzca para otras personas o bienes materiales.**

PREPARACIÓN

- **La máquina puede usarse cuando llueve o en condiciones de humedad. Seque la máquina después de terminar el trabajo.**
- **Antes de usar la herramienta, compruebe que las baterías o acumuladores no estén dañados.** No utilice la herramienta si la batería está dañada.

FUNCIONAMIENTO

- **La máquina puede usarse cuando llueve o en condiciones de humedad. Seque la máquina después de terminar el trabajo.**
- **Desconecte las baterías o acumuladores:**
 1. siempre que vaya a dejar la herramienta;
 2. antes de eliminar obstrucciones;

- antes de comprobar, limpiar o realizar trabajos en la herramienta;
- en caso de que se produzcan vibraciones anormales en la herramienta.

- Asegúrese siempre de tener los pies firmemente apoyados sobre el suelo cuando utilice la herramienta en pendientes.
- Desplácese caminando, sin correr nunca.
- Mantenga todas las entradas de ventilación de la herramienta libres de obstrucciones.
- Se recomienda utilizar la herramienta solo a unas horas razonables para no molestar a otras personas. No la utilice por la mañana muy temprano ni por la noche muy tarde.
- En entornos polvorientos, recomendamos humedecer ligeramente las superficies o utilizar un accesorio rociador.

⚠ ADVERTENCIA: ¡Existe peligro debido a la presencia de elementos rotativos!

- Utilice la prolongación completa de la boquilla de la máquina, de manera que el flujo de aire esté lo más cerca del suelo.
- No utilice la herramienta cerca de ventanas abiertas, etc.

MANTENIMIENTO Y ALMACENAMIENTO

- Mantenga todas las tuercas, pernos y tornillos bien apretados para garantizar que la herramienta funcione de manera segura.
- Sustituya las piezas desgastadas o dañadas.
- Utilice únicamente accesorios y recambios originales.
- Guarde la herramienta solo en un lugar seco.

⚠ ADVERTENCIA: Para reducir el riesgo de incendio, descarga eléctrica o lesiones:

IMPORTANTE

LEA ATENTAMENTE LAS INSTRUCCIONES ANTES DE UTILIZAR LA HERRAMIENTA.

GUÁRDELAS PARA CONSULTARLAS EN EL FUTURO.

- No permita que la máquina se use como un juguete. Extreme las precauciones cuando los niños usen la herramienta o si se utiliza cerca de ellos.

- Si la máquina no funciona correctamente, si se ha caído, se ha dañado, o ha caído al agua, llévela a un centro de servicio técnico.
- No introduzca objetos a través de los orificios de la herramienta. No utilice la herramienta si sus orificios están obstruidos. Manténgalos libres de polvo, pelusas, cabellos o de cualquier otro material que pudiera limitar el flujo de aire.
- Extreme las precauciones cuando utilice la herramienta en escaleras.
- No deje la máquina sin vigilancia con el enchufe de la batería conectado. Saque la batería de la máquina cuando no la utilice y antes de hacer cualquier reparación.
- No manipule el cargador, incluido el enchufe y los terminales eléctricos, con las manos mojadas.
- No cargue la batería al aire libre.

⚠ ADVERTENCIA:

- Quite la batería de la herramienta antes de eliminarla.
- La batería debe eliminarse de manera segura.

- NO intente eliminar obstrucciones de la herramienta sin haber quitado antes la batería.
- Mantenga la máquina y el asa secas, limpias y libres de aceite y grasa. Utilice siempre un paño limpio para limpiar la herramienta. No utilice nunca disolventes fuertes, líquidos de frenos, gasolina ni ningún otro producto derivado del petróleo para limpiar la máquina. El cumplimiento de estas pautas reducirá el riesgo de perder el control de la herramienta y deteriorar su carcasa plástica.
- Las baterías pueden explotar en presencia de una fuente de ignición, como una llama piloto. Para reducir el riesgo de lesiones, no use nunca una herramienta inalámbrica en presencia de llamas abiertas. Si una batería explota, podrían salir despedidos violentamente fragmentos y productos químicos. En caso de exposición a los mismos, enjuague inmediatamente con agua.
- No utilice nunca la herramienta sin los accesorios adecuados correctamente instalados. Asegúrese siempre de que el tubo de la máquina está instalado.
- No utilice nunca la máquina cerca del fuego o de cenizas calientes. El uso de la herramienta cerca de llamas o cenizas podría propagar el fuego y provocar lesiones graves y/o daños materiales.
- Nunca use la máquina para dispersar productos químicos, fertilizantes o cualquier otra sustancia tóxica. La dispersión de dichas sustancias podría provocar lesiones graves al usuario o a otras personas.

- **Conserve estas instrucciones.** Consúltelas con frecuencia y utilícelas para instruir a otras personas que vayan a usar esta máquina. En caso de prestar esta máquina a terceros, proporciónelas también estas instrucciones para evitar el uso incorrecto y posibles lesiones.

¡CONSERVE ESTAS INSTRUCCIONES!

ESPECIFICACIONES

Tensión nominal		56 V ---
Soplador	Volumen máximo de aire	850 m ³ /h
	Velocidad máxima del aire	64 m/s (solo con tubo soplador)
		93 m/s (con boquilla cónica)
Fuerza máxima de soplado	15 N	
Capacidad de la bolsa		40 liter
Máx. Tasa de trituración		16 : 1
Peso (sin batería ni tubo)		5,8 kg (aspirador) 4,2 kg (soplador)
Temperatura de funcionamiento recomendada		de -15°C a 40°C
Temperatura de almacenamiento recomendada		de -20°C a 70°C
Temperatura de carga recomendada		de 5°C a 40°C
Nivel de potencia acústica medido L _{WA}		100 dB(A) K=1,9 dB(A)
Nivel de presión acústica medido en la posición del usuario L _{PA}		88 dB(A) K=3 dB(A)
Nivel de potencia acústica garantizado L _{WA} (según 2000/14/CE)		102 dB(A)
Vibración a _n		Máx. 1,80 m/s ² K=1,5 m/s ²

- El valor de vibración total ha sido medido de acuerdo con el método de prueba estándar y se puede utilizar para comparar herramientas.
- El valor total de vibración declarado se puede usar además en una evaluación preliminar del grado de exposición.

AVISO: Las vibraciones generadas durante el uso real de la herramienta eléctrica pueden diferir del valor declarado en función de la manera en que se utilice. Como protección, el usuario debería utilizar guantes y protectores auditivos en condiciones reales de uso.

ES

LISTA DE CONTENIDO (FIG. A1)

DESCRIPCIÓN

CONOZCA SU ASPIRADOR DE HOJAS (Fig. A1)

1. Boquilla de aspiración
2. Tubo de aspiración
3. Asa de transporte para conjunto de aspiración
4. Rejilla de entrada de aire
5. Empuñadura delantera
6. Botón de liberación de la batería
7. Selector de velocidad/bloqueo
8. Colgador de la correa bandolera
9. Empuñadura principal
10. Gatillo de velocidad del aire
11. Bolsa de hojas
12. Correa bandolera
13. Contactos eléctricos
14. Seguro
15. Tubo de soplado
16. Boquilla cónica

MONTAJE

⚠ ADVERTENCIA: Si alguna pieza falta o está rota, no utilice el producto hasta haber sustituido las piezas. Podrían producirse lesiones graves en caso de utilizar el producto si alguna de sus piezas falta o está dañada.

⚠ ADVERTENCIA: No intente modificar este producto ni fabricar accesorios no recomendados para su uso en este producto. Cualquier alteración o modificación se considerará uso indebido y podría provocar una situación peligrosa con riesgo de sufrir lesiones graves.

⚠ ADVERTENCIA: Para evitar una puesta en marcha accidental que podría causar lesiones graves, quite siempre la batería de la máquina antes de montar piezas.

ES

AVISO: La máquina no puede ponerse en marcha hasta que el tubo del soplador o el conjunto de aspiración y la bolsa de hojas estén montados completa y correctamente.

INSTALAR/QUITAR EL TUBO DE SOPLADO

Montaje (fig. B1 y B2)

Alinee la ranura y empuje el tubo sobre la carcasa del soplador hasta que la palanca de bloqueo del tubo del soplador encaje.

B-1	Palanca de bloqueo del tubo del soplador
-----	--

Desmontaje (fig. B3)

Empuje la palanca de bloqueo del soplador para desenganchar el seguro y, a continuación, quite el tubo.

MONTAJE/DESMONTAJE DE LA BOQUILLA CÓNICA DEL SOPLADOR

Montaje (fig. C1 y C2)

Alinee la ranura de la boquilla cónica con el botón del tubo y empuje la boquilla hacia el tubo hasta que quede enganchada en su lugar.

Desmontaje (fig. C3)

Mantenga pulsado el botón de liberación de la boquilla para desengancharla y, a continuación, tire recto de la boquilla para quitarla del tubo del soplador.

MONTAJE/DESMONTAJE DEL CONJUNTO DE ASPIRACIÓN

Para montar la boquilla de aspiración (fig. D)

AVISO: Una vez que se conectan la boquilla de aspiración y el tubo de aspiración, forman un conjunto de aspiración que no se puede separar.

Alinee la ranura y empuje la boquilla en el tubo de aspiración hasta que el botón de bloqueo de la boquilla de aspiración encaje en su sitio.

Para montar el conjunto de aspiración

- Empuje la palanca de bloqueo del tubo de aspiración para liberar la rejilla de entrada de aire y, a continuación, abra la rejilla (fig. E1 y E2).

E-1	Palanca de bloqueo del tubo de aspiración
-----	---

- Alinee las dos esquinas cuadradas elevadas del conjunto de aspiración con las dos ranuras cuadradas encastradas en la entrada de aire, como se muestra en la fig. E3, para encajar el conjunto.
- Presione el conjunto de aspiración hacia la entrada de aire hasta que la palanca de bloqueo del tubo de aspiración encaje (fig. E4).
- Presione la rejilla de entrada de aire contra el conjunto de aspiración (fig. E5).

Para montar la bolsa para de (fig. F)

- Alinee la ranura y empuje el conector para bolsas de hojas sobre la carcasa del aspirador, hasta que la palanca de bloqueo de la bolsa de hojas encaje.

F-1	Conector para bolsas de hojas	F-3	Correa de la bolsa de hojas
F-2	Palanca de bloqueo de la bolsa de hojas		

- Cuelgue la correa de la bolsa de hojas en el gancho del conjunto de aspiración, como se muestra en la fig. F.

Para desmontar la bolsa de hojas y vaciarla (fig. G1)

- Suelte la correa de la de bolsa de hojas del gancho del conjunto de aspiración.
- Empuje la palanca de bloqueo de la bolsa de hojas para desenganchar el seguro y, a continuación, quite la bolsa.
- Abra la cremallera para vaciar la bolsa de hojas.

G-1	Cremallera
-----	------------

Para desmontar el conjunto de aspiración (fig. G2 y G3)

- Empuje la palanca de bloqueo del tubo de aspiración para desbloquearlo.
- Quite el conjunto de aspiración.
- Presione la rejilla de entrada de aire hacia la entrada de aire hasta que la palanca de bloqueo encaje.

MONTAJE DE LA CORREA BANDOLERA (fig. H)

Presione los mosquetones de la correa para abrirlos y fíjelos en los ganchos para la correa bandolera, situados en cada extremo de la máquina.

Hay dos formas de soltar la correa. Quítesela directamente del hombro o presione uno de los mosquetones y desconecte la correa bandolera del colgador de la correa bandolera.

⚠ ADVERTENCIA: Al usar la correa, ningún otro dispositivo debe interferir con la liberación y la retirada de la correa.

⚠ ADVERTENCIA: En caso de emergencia, quitesela del hombro inmediatamente, sin importar cómo esté colocada la correa.

⚠ ADVERTENCIA: No debe utilizar la correa bandolera única y la correa doble de los hombros simultáneamente.

⚠ ADVERTENCIA: No utilice la correa bandolera y el enlace de la mochila BH1000 EGO al mismo tiempo. Esto evitará una liberación rápida de emergencia de la máquina, con el consiguiente riesgo de lesiones personales.

FUNCIONAMIENTO

⚠ ADVERTENCIA: No permita que el hecho de estar familiarizado con el producto le haga descuidarse. Recuerde que cualquier distracción de una fracción de segundo es suficiente para provocar lesiones graves.

⚠ ADVERTENCIA: Utilice siempre gafas de seguridad con pantallas de protección lateral, así como protección auditiva. De lo contrario, de la herramienta pueden salir objetos despedidos y alcanzar los ojos, provocando lesiones graves.

⚠ ADVERTENCIA: Para evitar cualquier puesta en marcha accidental que pudiera causar lesiones físicas graves, asegúrese siempre de quitar la batería de la herramienta antes de proceder al montaje de cualquier pieza, de hacer ajustes o de limpiar la herramienta, así como cuando no la utilice.

⚠ ADVERTENCIA: No utilice piezas o accesorios no recomendados por el fabricante de este producto. La utilización de piezas o accesorios no recomendados puede provocar lesiones graves.

Antes de cada uso, examine todo el producto para ver si hay piezas dañadas, extraviadas o sueltas, como tornillos, tuercas, pernos, tapones, etc. Apriete bien todas las sujeciones y los tapones y no ponga en marcha el producto hasta haber reemplazado todas las piezas que falten o que estén dañadas.

APLICACIONES

Este producto puede utilizarse para los fines indicados a continuación:

- Recogida de hojas, recortes de césped y otros residuos.
- Despejar superficies duras, como entradas para vehículos y caminos peatonales.

- Mantener despejadas de hojarasca las terrazas y las entradas para vehículos.

AVISO: La máquina debe utilizarse únicamente para el fin previsto. Cualquier otro uso se considerará uso indebido.

INSTALAR/QUITAR LA BATERÍA

Utilice únicamente los modelos de baterías y cargadores de EGO indicados en la fig. A2.

NOTA: Cargue siempre la batería completamente antes del primer uso.

Instalación

Alinee las nervaduras de la batería con las ranuras de montaje, e introduzca la batería presionándola hacia abajo hasta oír un «clic» (fig. I1).

Desmontaje (fig. I2)

Pulse el botón de liberación de la batería y saque la batería tirando de ella (fig. I2).

⚠ ADVERTENCIA: Preste atención siempre a la posición de sus pies, así como a la presencia de niños o mascotas cuando pulse el botón de desbloqueo de la batería. La caída de la batería podría provocar lesiones graves. No quite NUNCA la batería en un lugar elevado.

PUESTA EN MARCHA/PARADA DE LA MÁQUINA

Solo gatillo de velocidad del aire

1. Apriete el gatillo de velocidad del aire para encender la máquina.
2. La velocidad del aire de la máquina se controla con el gatillo para la velocidad variable. Una mayor presión en el gatillo produce velocidades de aire más altas; una menor presión en el gatillo produce velocidades de aire más bajas. Ajuste la velocidad en función de la tarea que vaya a realizar.
3. Suelte el gatillo de velocidad del aire para apagar la máquina.

Solo selector de velocidad/bloqueo

La máquina se puede bloquear a cualquier velocidad con el selector de bloqueo de velocidad.

1. Para poner en marcha la máquina, gire el selector de velocidad/bloqueo hacia la correa bandolera cercana. La velocidad del aire aumentará a medida que se gire el selector hasta alcanzar la velocidad máxima (MAX).

2. Para disminuir la velocidad del aire, gire el selector de velocidad/bloqueo hacia el lado opuesto.
3. Siga girando el selector de velocidad/bloqueo a la posición de apagado (0) para detener la máquina.

ES

AVISO: Si el selector de velocidad/bloqueo no se vuelve a poner en la posición de apagado antes de quitar la batería, el soplador no se pondrá en marcha cuando se instale una batería completamente cargada. Se trata de una función de protección para ayudar a evitar un arranque accidental de la herramienta. Apriete el gatillo de velocidad del aire para desactivar la protección y poner en marcha el soplador.

CONSEJOS PARA UTILIZAR EL SOPLADOR (Fig. K)

Para utilizar la máquina como soplador, siga las instrucciones de la sección **MONTAJE** para instalar el conjunto de aspiración.

- Para evitar dispersar descontroladamente el material soplado, dirija siempre el chorro de aire en torno al perímetro de los residuos apilados. No sople nunca directamente hacia el centro de la pila.
- Para reducir los niveles de ruido emitidos, limite el número de herramientas eléctricas en uso de forma simultánea.
- Utilice rastrillos y escobas para soltar los materiales antes de despejarlos con el soplador. En entornos polvorientos, humedezca ligeramente las superficies si dispone de agua.
- Ahorre agua utilizando sopladores eléctricos en lugar de mangueras para despejar residuos de céspedes y jardines, incluidas áreas tales como canalones, vallas, patios, rejas, soportales y arriates.
- Esté siempre alerta a la posible presencia de niños, mascotas, ventanas abiertas, automóviles recién lavados, etc. y utilice el soplador para despejar los materiales de manera segura.
- Tras utilizar el soplador o cualquier otro equipo, ¡asegúrese de limpiarlos! Elimine los residuos de la manera adecuada.

CONSEJOS PARA UTILIZAR EL ASPIRADOR (Fig. L)

Para utilizar la máquina como aspirador, siga las instrucciones de la sección **MONTAJE** para instalar el conjunto de aspiración, la bolsa de hojas y la correa bandolera.

- Compruebe con frecuencia si la bolsa de hojas está desgastada o deteriorada.
- Para evitar levantar polvo, cierre completamente la

cremallera de la bolsa de hojas antes de poner en marcha la máquina.

- Vacíe la bolsa de hojas antes de que esté llena.
- Para evitar que entre agua en la máquina, utilícela para recoger hojas mojadas del suelo, pero no de la piscina.
- No permita que se introduzcan en la máquina bolsas de plástico, telas y otros objetos que no sean fáciles de romper y puedan enredarse fácilmente.
- No permita que materiales duros, como virutas de madera grandes, metales, vidrio, guijarros, etc., sean aspirados por la máquina.

MANTENIMIENTO

⚠ ADVERTENCIA: Cuando repare el aparato, utilice solo piezas idénticas a las originales. La utilización de otras piezas podría suponer un peligro o causar daños en el producto. Para garantizar la seguridad y fiabilidad de la herramienta, las reparaciones debe realizarlas únicamente un técnico cualificado.

⚠ ADVERTENCIA: Para evitar lesiones graves, quite siempre la batería de la herramienta antes de limpiarla o hacer tareas de mantenimiento.

MANTENIMIENTO GENERAL

Evite utilizar disolventes para limpiar las piezas de plástico. La mayoría de los plásticos podrían dañarse si se limpian con algunos de los tipos de disolventes disponibles en el mercado. Utilice paños limpios para eliminar la suciedad y los residuos de polvo, aceite, grasa, etc.

⚠ ADVERTENCIA: No deje nunca que las piezas de plástico entren en contacto con líquido de frenos, gasolina, productos derivados del petróleo, aceites penetrantes, etc. Las sustancias químicas podrían dañar, debilitar o destruir el plástico, con el consiguiente riesgo de provocar lesiones graves.

ALMACENAMIENTO

- Quite la batería de la máquina.
- Elimine todo el material extraño de las entradas de aire de la máquina.
- Guarde el aparato en un lugar cerrado al que no pueda acceder ningún niño. Manténgalo apartado de agentes corrosivos, como productos químicos de jardinería y sal para deshielo.

Protección del medio ambiente

¡No elimine aparatos eléctricos, baterías usadas ni cargadores de baterías junto con los desperdicios domésticos!

Lleve este producto a un punto de reciclaje autorizado y depositelo por separado según corresponda. Las herramientas eléctricas se deben llevar a un punto de reciclaje con fin de proteger el medio ambiente.

ES

SOLUCIÓN DE PROBLEMAS

ES

PROBLEMA	CAUSA	SOLUCIÓN
El aspirador de hojas no funciona.	<ul style="list-style-type: none"> ■ No hay contacto eléctrico entre el aspirador de hojas y la batería. ■ La carga de la batería está agotada. ■ El acumulador o el circuito de la herramienta eléctrica se han sobrecalentado. ■ La máquina no está completamente montada. 	<ul style="list-style-type: none"> ■ Quite la batería, compruebe los contactos eléctricos y vuelva a instalarla. ■ Cargue la batería. ■ Enfríe la batería y el aspirador de hojas hasta que la temperatura descienda por debajo de 67 °C. ■ Siga las instrucciones de la sección Montaje para ensamblar la máquina completa y correctamente.
La velocidad del aire disminuye considerablemente.	<ul style="list-style-type: none"> ■ La entrada de aire está obstruida por acumulación de residuos. ■ Desgaste excesivo del ventilador del motor. ■ Demasiados residuos dentro de la bolsa de hojas. 	<ul style="list-style-type: none"> ■ Quite las baterías y limpie los residuos. ■ Póngase en contacto con el servicio de asistencia técnica de EGO para solicitar la reparación de la herramienta. ■ Vacíe la bolsa de hojas siguiendo las instrucciones del capítulo Para desmontar la bolsa de hojas y vaciarla en la sección MONTAJE.

GARANTÍA

POLÍTICA DE GARANTÍA DE EGO

Visite la página web egopowerplus.eu para conocer los términos y condiciones completos de la política de garantía de EGO.

LEIA TODAS AS INSTRUÇÕES!



LEIA O MANUAL DO UTILIZADOR

⚠️ AVISO: Para garantir a segurança e bom funcionamento, todas as reparações deverão ser efetuadas por um técnico de reparação qualificado.

⚠️ AVISO: Certifique-se de que lê e compreende todos os avisos de segurança neste manual do utilizador, incluindo todos os símbolos de alerta de segurança, como “**PERIGO**”, “**AVISO**” e “**CUIDADO**” antes de usar esta ferramenta. Não seguir todas as instruções apresentadas abaixo pode resultar em choque elétrico, incêndio e/ou ferimentos graves.

GUARDE TODOS OS AVISOS E INSTRUÇÕES PARA FUTURAS REFERÊNCIAS.

SÍMBOLOS DE SEGURANÇA

⚠️ AVISO: O funcionamento de qualquer ferramenta elétrica pode dar origem ao ressalto de quaisquer objetos estranhos que podem atingir os olhos, podendo dar origem a sérias lesões oculares. Antes de começar a utilizar a ferramenta elétrica, utilize sempre óculos de segurança com proteções laterais e uma proteção completa para a cara, quando necessário. Recomendamos máscaras de segurança com visão panorâmica por cima de óculos, ou óculos de segurança padrão com proteção lateral.



Alerta de segurança



Use sempre proteção auditiva e ocular ao utilizar este produto.



Nível de potência do som garantido. Emissão de ruído para o ambiente de acordo com a diretiva da Comunidade Europeia.



Os produtos elétricos residuais não deverão ser eliminados juntamente com o lixo doméstico comum. Entregue-os num centro de reciclagem autorizado.



Corrente direta



Voltagem



Milímetro



Para reduzir o risco de ferimentos, o utilizador tem de ler e compreender o manual do utilizador antes de utilizar este produto.



Mantenha terceiros a, pelo menos, 15 metros de distância.



Este produto encontra-se em conformidade com as diretivas CE aplicáveis.



Este produto encontra-se em conformidade com a legislação no Reino Unido.



Proteção contra salpicos



Por minuto



Velocidade Sem Carga

PT

AVISOS GERAIS DE SEGURANÇA DA MÁQUINA

PT

⚠️ AVISO: LEIA TODOS OS AVISOS DE SEGURANÇA, INSTRUÇÕES, ILUSTRAÇÕES E ESPECIFICAÇÕES FORNECIDAS COM ESTA MÁQUINA. Não seguir todas as instruções apresentadas abaixo pode resultar em choque elétrico, incêndio e/ou ferimentos graves.

GUARDE TODOS OS AVISOS E INSTRUÇÕES PARA FUTURAS REFERÊNCIAS.

O termo "máquina" nos avisos diz respeito à sua máquina alimentada pela rede (com fio) ou com bateria (sem fio).

SEGURANÇA NA ÁREA DE TRABALHO

- **Mantenha a área de trabalho limpa e bem iluminada.** Áreas desarrumadas ou escuras são propícias a acidentes.
- **Não utilize máquinas em atmosferas explosivas, tal como na presença de líquidos inflamáveis, gases ou pó.** As máquinas produzem faíscas que podem atear o pó ou fumos.
- **Mantenha as crianças e pessoas que passem afastadas enquanto utilizar uma máquina.** As distrações podem fazer com que perca o controlo.

SEGURANÇA ELÉTRICA

- **A ficha tem de corresponder à tomada. Nunca modifique uma ficha de forma alguma. Não utilize qualquer adaptador com máquinas com ligação à terra.** Fichas não modificadas e tomadas correspondentes reduzirão o risco de choque elétrico.
- **Evite o contacto do corpo com superfícies ligadas à terra, tais como tubos, radiadores, bases e frigoríficos.** Existe um risco acrescido de choque elétrico se o seu corpo estiver ligado à terra.
- **Não exponha a máquina à chuva ou humidade.** A entrada de água numa máquina aumentará o risco de choque elétrico.
- **Não force o fio da alimentação. Nunca utilize o fio para transportar, puxar ou desligar a máquina. Mantenha o fio afastado do calor, óleo, arestas afiadas ou peças móveis.** Fios danificados ou presos aumentam o risco de choque elétrico.
- **Quando estiver a trabalhar com uma máquina ao ar livre, utilize uma extensão adequada para a utilização no exterior.** A utilização de um fio adequado ao exterior reduz o risco de choque elétrico.
- **Se for inevitável trabalhar com a máquina num local húmido, use um Interruptor de Circuito de**

Falha de Ligação à Terra (GFCI). A utilização deste interruptor reduz o risco de choque elétrico.

SEGURANÇA PESSOAL

- **Mantenha-se alerta, observe o que está a fazer e use senso comum quando estiver a trabalhar com uma máquina. Não utilize a máquina enquanto estiver cansado ou sob o efeito de drogas, álcool ou medicação.** Um momento de falta de atenção enquanto utiliza a máquina pode dar origem a ferimentos sérios.
- **Use equipamento pessoal de proteção. Use sempre proteção ocular.** O equipamento de segurança, tal como máscara respiratória, calçado de segurança antiderrapante, capacete de segurança ou proteção auditiva, utilizado nas condições adequadas, reduzirá a hipótese de ferimentos.
- **Evite ligações sem intenção. Certifique-se de que o interruptor se encontra na posição de desligado antes de ligar à alimentação e/ou bateria e antes de pegar ou transportar a máquina.** Transportar a máquina com o seu dedo no interruptor ou fornecer energia à máquina que tenha o interruptor na posição de ligado convida a acidentes.
- **Retire qualquer chave de ajuste ou chave de fendas antes de ligar a máquina.** Uma chave de fendas ou uma chave deixada ligada a uma peça rotativa da máquina pode dar origem a ferimentos.
- **Não se estique. Mantenha sempre a base e o equilíbrio adequados.** Isso proporciona um melhor controlo da máquina em situações inesperadas.
- **Vista-se adequadamente. Não use roupa larga nem joias. Mantenha o seu cabelo e roupa afastados das peças móveis.** Roupas largas, joias ou cabelo comprido podem ser apanhados pelas peças em movimento.
- **Se forem fornecidos dispositivos para a ligação de extração de pó e facilidades de recolha, certifique-se de que estes estão ligados e de que são devidamente utilizados.** A utilização de dispositivos de recolha do pó pode reduzir os perigos relacionados com o pó.
- **Não permita que a familiarização ganhe com a utilização de máquinas o torne mais complacente e ignore os princípios de segurança da máquina.** Uma ação descuidada pode causar graves ferimentos numa fração de segundo.

UTILIZAÇÃO E CUIDADOS COM A MÁQUINA

- **Não force a máquina. Utilize a máquina correta para a sua aplicação.** A máquina correta fará o trabalho melhor e de forma mais segura à taxa para a qual foi concebida.
- **Não utilize a máquina se o interruptor não der para ligar e desligar.** Qualquer máquina que não possa ser controlada com o interruptor é perigosa e deve ser reparada.
- **Desligue a ficha da alimentação e/ou retire a bateria da máquina antes de fazer quaisquer ajustes, mudar de acessórios ou armazenar a máquina.** Tais medidas preventivas de segurança reduzem o risco de ligar a máquina acidentalmente.
- **Guarde a máquina desligada fora do alcance de crianças e não permita que pessoas estranhas à máquina ou a estas instruções trabalhem com a máquina.** As máquinas são perigosas nas mãos de utilizadores sem formação.
- **Proceda à manutenção das máquinas e respetivos acessórios. Verifique se existem desalinhamentos ou colagem das peças móveis, quebra de peças e qualquer outra condição que possa afetar o funcionamento da máquina. Se estiver danificada, leve a máquina para ser reparada antes da utilização.** Muitos acidentes são causados por máquinas mantidas de forma deficiente.
- **Mantenha as máquinas de corte afiadas e limpas.** Máquinas de corte devidamente mantidas e com arestas de corte afiadas têm uma menor probabilidade de prender e são mais fáceis de controlar.
- **Use a máquina, acessórios e brocas, etc., de acordo com estas instruções, tendo em conta as condições de trabalho e o trabalho a ser efetuado.** A utilização da máquina para operações diferentes das pretendidas pode resultar numa situação perigosa.
- **Mantenha as pegas e superfícies de prensão secas, limpas e sem óleo ou gordura.** Pegas e superfícies de prensão escorregadias não permitem o manuseamento seguro nem o controlo da máquina em situações inesperadas.

UTILIZAÇÃO E CUIDADOS DA MÁQUINA A BATERIA

- **Recarregue apenas com o carregador especificado pelo fabricante.** Um carregador que seja adequado a um tipo de bateria pode criar um risco de incêndio quando usado com outra bateria.
- **Utilize máquinas apenas com as baterias especificamente designadas.** A utilização de outras baterias pode criar um risco de ferimentos e incêndio.
- **Quando não usar a bateria, mantenha-a afastada de outros objetos de metal, como clipes de papel, moedas, chaves, pregos, parafusos ou outros pequenos objetos de metal que possam fazer a ligação entre os dois terminais.** Colocar os terminais da bateria em curto-circuito pode dar origem a queimaduras ou fogo.
- **Sob condições abusivas, pode ser ejetado líquido da bateria; evite o contacto. Se ocorrer um contacto accidental, lave com água abundante. Se o líquido entrar em contacto com os olhos, procure ajuda médica.** O líquido ejetado da bateria pode provocar irritação ou queimaduras.
- **Não use a bateria nem a máquina se estiverem danificadas ou modificadas.** Baterias danificadas ou modificadas podem apresentar comportamentos imprevisíveis, dando origem a fogo, explosão ou risco de ferimentos.
- **Não exponha a bateria ou a máquina ao fogo ou temperatura excessiva.** A exposição ao fogo ou a temperaturas acima dos 130 °C pode causar uma explosão.
- **Siga todas as instruções de carregamento e não carregue a bateria nem a máquina a uma temperatura fora dos parâmetros especificados nas instruções.** Carregar incorretamente ou a temperaturas fora dos parâmetros especificados pode danificar a bateria e aumentar o risco de fogo.

REPARAÇÃO

- **A reparação da sua máquina deverá ser sempre efetuada por pessoas qualificadas, utilizando apenas peças sobresselentes idênticas.** Tal irá assegurar que a segurança da máquina é mantida.
- **Nunca tente reparar uma bateria danificada.** A reparação das baterias só deverá ser efetuada pelo fabricante ou por um reparador autorizado.

AVISOS DE SEGURANÇA DO SOPRADOR/ASPIRADOR

- **Não use a máquina com más condições atmosféricas, especialmente quando existir o risco de trovoadas.** Isto diminui o risco de ser atingido por um relâmpago.
- **Verifique frequentemente o desgaste ou a deterioração do coletor de detritos.** Um coletor de detritos gasto ou danificado pode aumentar o risco de ferimentos pessoais.

- **Use proteções oculares e auditivas.** Equipamento de proteção adequado reduz o risco de ferimentos.
- **Enquanto usa a máquina, utilize sempre calçado de proteção antiderrapante. Não utilize a máquina descalço ou de sandálias.** Isto reduz o risco de ferimentos nos pés.
- **Não use roupa folgada nem artigos como cachecóis, fios, correntes, gravatas, etc., que possam ser puxados para as entradas de ar.** Ate ou cubra o cabelo comprido para se certificar de que não é puxado para as entradas de ar. Se algum destes artigos for puxado para as entradas de ar, pode aumentar o risco de ferimentos.
- **Mantenha outras pessoas afastadas enquanto trabalhar com a máquina.** Os detritos atirados aumentam o risco de ferimentos.
- **Não use no modo de aspirador sem o coletor de detritos no devido lugar.** Os objetos atirados aumentam o risco de ferimentos.
- **Nunca aponte o bocal do soprador na direção de pessoas ou animais, nem na direção de janelas. Tenha muito cuidado quando soprar detritos perto de objetos sólidos, como árvores, automóveis e paredes que possam fazer com que os detritos ressaltem.** Os objetos atirados podem dar origem a danos patrimoniais e aumentam o risco de ferimentos.
- **Não use a máquina para recolher ou soprar nada a arder ou a deitar fumo, como cigarros, fósforos ou brasas.** Estas fontes de ignição podem causar o risco de fogo.
- **Não aspire água ou outros líquidos, nem coloque nenhuma parte da máquina dentro de líquidos.** A entrada da água na máquina aumentará o risco de choque elétrico.
- **Não aspire pedras, brita, metal ou vidro partido.** O disco da ventoinha pode ficar danificado e pode aumentar o risco de ferimentos.
- **Não toque na ventoinha enquanto estiver em movimento. Desligue a máquina e espere que a ventoinha pare antes de retirar quaisquer partes que possam dar acesso à ventoinha.** Isto reduz o risco de ferimentos devido às peças móveis.
- **Quando libertar materiais obstruídos ou efetuar afinações na máquina, certifique-se de que esta está desligada.** Um arranque inesperado da máquina enquanto liberta material obstruído ou durante a afinação pode dar origem a ferimentos pessoais sérios.

LEIA TODAS AS INSTRUÇÕES ANTES DE USAR ESTE PRODUTO.

TREINO

- **Nunca permita que crianças, pessoas com capacidades físicas, sensoriais ou mentais reduzidas ou falta de experiência ou de conhecimentos, ou pessoas que não estejam familiarizadas com estas instruções usem a máquina.**
- **O operador ou utilizador é o responsável por acidentes ou riscos provocados a outras pessoas ou à sua propriedade.**

PREPARAÇÃO

- **A máquina pode ser usada à chuva ou em condições de humidade. Seque a máquina após terminar o trabalho.**
- **Antes da utilização, verifique as baterias quanto a danos.** Não use o aparelho se as baterias estiverem danificadas.

FUNCIONAMENTO

- **A máquina pode ser usada à chuva ou em condições de humidade. Seque a máquina após terminar o trabalho.**
- **Retire as baterias:**
 1. Sempre que abandonar a máquina;
 2. Antes de eliminar um bloqueio;
 3. Antes de verificar, limpar ou trabalhar no aparelho;
 4. Se o aparelho começar a vibrar anormalmente.
- **Nos locais inclinados, certifique-se sempre do local onde coloca os pés.**
- **Caminhe, nunca corra.**
- **Mantenha todas as entradas de ar refrigerador limpas.**
- **Recomendamos que utilize a máquina apenas a horas razoáveis: Nunca de manhã muito cedo ou à noite, quando possa perturbar as outras pessoas.**
- **Recomendamos que humedeca ligeiramente as superfícies quando houver muito pó, ou use o acessório de humedecimento.**

⚠ AVISO: Perigo devido a peças rotativas!

- **Use a extensão completa do bocal da máquina, de modo a que o fluxo de ar possa funcionar perto do chão.**

- Não use a máquina perto de janelas abertas, etc.

MANUTENÇÃO E ARMAZENAMENTO

- Mantenha todas as porcas e parafusos bem apertados, para se certificar de que o aparelho está em boas condições de funcionamento.
- Substitua as peças gastas ou danificadas.
- Use apenas peças sobresselentes e acessórios genuínos.
- Guarde o aparelho apenas num local seco.

⚠ AVISO: Para reduzir o risco de fogo, choque elétrico, ou ferimentos:

IMPORTANTE

LEIA ATENTAMENTE ANTES DA UTILIZAÇÃO.

GUARDE PARA FUTURAS REFERÊNCIAS.

- Não permita que a máquina seja usada como um brinquedo. É necessária muita atenção quando usar com crianças por perto.
- Se a máquina não estiver a funcionar como deveria, tiver caído, estiver danificado, tiver caído à água, dirija-se a um centro de reparação.
- Não introduza objetos nas aberturas. Não use com qualquer abertura bloqueada; mantenha as aberturas sem pó, algodão, cabelos ou qualquer coisa que reduza o fluxo de ar.
- Tenha muito cuidado quando limpar em escadas.
- Não deixe a máquina sem supervisão quando inserir a ficha da bateria. Retire a bateria quando a máquina não for usada e antes da reparação.
- Não manuseie o carregador, incluindo a ficha do carregador e os terminais com as mãos molhadas.
- Não carregue a bateria no exterior.

⚠ AVISO:

- A bateria tem de ser retirada do aparelho antes de ser eliminada.
- A bateria tem de ser eliminada de modo seguro.
- **NÃO** tente eliminar obstruções da unidade sem retirar primeiro a bateria.
- **Mantenha a máquina e a pega secas, limpas e sem óleo e gordura.** Use sempre um pano limpo quando limpar. Nunca use produtos à base de fluidos para travões, gasolina, petróleo, ou quaisquer solventes

fortes para limpar a máquina. Ao seguir esta regra reduzirá o risco de perda de controlo e deterioração do plástico do compartimento.

- **As baterias podem explodir na presença de uma fonte de ignição, como uma luz piloto.** Para reduzir o risco de ferimentos sérios, nunca use um produto sem fios na presença de uma chama sem proteção. Uma bateria que expluda pode libertar resíduos e químicos. Se for exposto a estes, passe imediatamente por água abundante.
- **Nunca utilize a unidade sem o devido equipamento fixado.** Certifique-se sempre de que o tubo da máquina está instalado.
- **Nunca use a máquina perto de fogos ou de brasas.** A utilização perto de fogos ou brasas pode espalhar as chamas e dar origem a ferimentos sérios e/ou danos patrimoniais.
- **Nunca use a máquina para pulverizar químicos, fertilizantes ou outras substâncias tóxicas.** Pulverizar estas substâncias pode dar origem a ferimentos sérios no operador ou terceiros.
- **Guarde estas instruções.** Consulte com frequência e use estas instruções para instruir outras pessoas sobre a forma de utilizar esta máquina. Se emprestar esta máquina, entregue também as instruções, para evitar uma má utilização do produto e possíveis ferimentos.

GUARDE ESTAS INSTRUÇÕES!

CARACTERÍSTICAS TÉCNICAS

Voltagem nominal		56 V ---
Soprador	Volume máximo do ar	850 m³/h
	Velocidade máxima do ar	64 m/s (apenas com o tubo do soprador)
		93 m/s (com bocal afunilado)
	Força máxima de sopro	15 N
Capacidade do saco de recolha		40 litros
Máx. taxa de trituração		16 : 1

Peso (sem a bateria e bocal)	5,8 kg (aspirador) 4,2 kg (soprador)
Temperatura de funcionamento recomendada	-15°C-40°C
Temperatura de armazenamento recomendada	-20°C-70°C
Temperatura de carregamento recomendada	5°C-40°C
Nível de potência do som medido L_{WA}	100 dB(A) K=1,9 dB(A)
Nível de pressão do som na posição de trabalho L_{PA}	88 dB(A) K=3 dB(A)
Nível de potência do som garantido L_{WA} (de acordo com a 2000/14/CE)	102 dB(A)
Vibração a_h	Máx. 1,80 m/s ² K=1,5 m/s ²

- O valor total declarado da vibração foi medido de acordo com um método de teste padrão e pode ser usado para comparar duas ferramentas.
- O valor total declarado da vibração também pode ser usado numa avaliação preliminar da exposição.

AVISO: A emissão de vibrações durante a utilização da ferramenta elétrica pode diferir do valor declarado em que a ferramenta é usada. De modo a proteger o utilizador, este deverá usar luvas e proteção auditiva nas condições atuais de utilização.

LISTA DE PEÇAS (IMAGEM A1)

DESCRIÇÃO

CONHEÇA O SEU ASPIRADOR DE FOLHAS (Imagem A1)

1. Bocal de aspiração
2. Tubo de aspiração
3. Pega de transporte do conjunto de aspiração
4. Grelha de entrada do ar
5. Pega dianteira
6. Botão de libertação da bateria
7. Disco da velocidade/bloqueio

8. Suporte da alça para os ombros
9. Pega principal
10. Gatilho da velocidade do ar
11. Saco de recolha
12. Alça para os ombros
13. Contactos elétricos
14. Trinco
15. Tubo do soprador
16. Bocal afunilado

MONTAGEM

⚠ AVISO: Se quaisquer peças estiverem danificadas ou em falta, não utilize este produto até as peças serem substituídas. Utilizar este produto com peças danificadas ou em falta pode dar origem a ferimentos sérios.

⚠ AVISO: Não tente modificar este produto nem criar acessórios que não sejam recomendados para utilizar com o produto. Qualquer alteração ou modificação é considerada uma má utilização e pode dar origem a perigos, que podem levar a ferimentos sérios.

⚠ AVISO: Para evitar um arranque acidental que possa causar ferimentos sérios, retire sempre a bateria da máquina durante a montagem das peças.

AVISO: A máquina não pode ser ligada até que o tubo do soprador ou conjunto de aspiração e o saco de recolha sejam montados de forma completa e correta.

MONTAR/RETIRAR O TUBO DO SOPRADOR

Para montar (Imagem B1 e B2)

Alinhe a ranhura e pressione o tubo para a estrutura do soprador até que a alavanca de fixação do tubo do soprador fique encaixada.

B-1	Alavanca de fixação do tubo do soprador
-----	---

Retirar (Imagem B3)

Pressione a alavanca de fixação do soprador para libertar o trinco, e depois retire o tubo.

MONTAR/RETIRAR O BOCAL AFUNILADO DO SOPRADOR

Para montar (Imagem C1 e C2)

Alinhe a ranhura do bocal afunilado com o manípulo do tubo e pressione o bocal para o tubo até ficar fixado no respetivo lugar.

Retirar (Imagem C3)

Prima e mantenha o botão de libertação do bocal premido para libertar o trinco, depois puxe o bocal a direito para fora do tubo do soprador.

MONTAR/RETIRAR O CONJUNTO DE ASPIRAÇÃO

Montar o bocal de aspiração (Imagem D)

AVISO: Quando o bocal de aspiração e o tubo de aspiração forem ligados pela primeira vez, tornam-se num conjunto de aspiração que não pode ser separado.

Alinhe a ranhura e pressione o bocal para o tubo de aspiração, até que o botão de bloqueio do bocal de aspiração fique encaixado no respetivo lugar.

Montagem do conjunto de aspiração

1. Pressione a alavanca de fixação do tubo de aspiração para libertar a grelha de entrada do ar, e abra a grelha (Imagem E1 e E2).

E-1	Alavanca de fixação do tubo de aspiração
-----	--

2. Alinhe os dois cantos quadrados salientes no conjunto de aspiração com as duas ranhuras quadradas na entrada do ar, conforme apresentado na Imagem E3, para libertar o conjunto.
3. Pressione o conjunto de aspiração na direção da entrada do ar, até que a alavanca de fixação do tubo de aspiração fique fixada (Imagem E4).
4. Pressione a grelha de entrada do ar contra o conjunto de aspiração (Imagem E5).

Montar o saco de recolha (Imagem F)

1. Alinhe a ranhura e pressione o conector do saco de recolha das folhas contra a estrutura do aspirador, até que a alavanca de fixação do saco de recolha das folhas fique fixada.

F-1	Conector do saco de recolha	F-3	Arco do saco de recolha de folhas
F-2	Alavanca de fixação do saco de recolha		

2. Pendure o arco do saco de recolha de folhas no gancho no conjunto de aspiração, conforme apresentado na Imagem F.

Retirar e esvaziar o saco de recolha (Imagem G1)

1. Retire o arco do saco de recolha de folhas do gancho no conjunto de aspiração.
2. Pressione a alavanca de fixação do saco de recolha para libertar o trinco, e depois retire o saco.

3. Abra o fecho para esvaziar o saco de recolha.

G-1	Fecho
-----	-------

Retirar o conjunto de aspiração (Imagem G2 e G3)

1. Pressione a alavanca de fixação do tubo de aspiração para libertar o tubo.
2. Retire o conjunto de aspiração.
3. Pressione a grelha de entrada do ar na direção da entrada do ar, até que a alavanca de fixação fique encaixada.

MONTAR A ALÇA PARA O OMBRO (Imagem H)

Pressione os mosquetões da alça para os abrir e fixá-los nos suportes da alça para os ombros em cada extremidade da máquina.

Há dois modos de libertar a pega. Retire-a diretamente do ombro, ou pressione um dos mosquetões para retirar a alça para os ombros do suporte da alça para os ombros.

AVISO: Quando usar a alça, outros acessórios não deverão interferir com a libertação e remoção da alça.

AVISO: Quando ocorre uma emergência, retire-a imediatamente do seu ombro, não importa o modo como a alça se encontra.

AVISO: Não deverá usar a alça simples para o ombro e a alça dupla para os ombros em simultâneo.

AVISO: Não use a alça para os ombros e a ligação da mochila BH1000 EGO em simultâneo. Isto impede uma libertação de emergência rápida da máquina, dando origem a ferimentos.

FUNCIONAMENTO

AVISO: Não permita que a familiarização com este produto o torne descuidado. Lembre-se de que uma fração de segundo de desatenção é o suficiente para sofrer um ferimento sério.

AVISO: Utilize sempre proteção ocular com proteções laterais, juntamente com proteção auricular. Se não o fizer, pode apanhar com objetos nos olhos, dando origem a possíveis ferimentos graves.

AVISO: Para evitar a ligação acidental que pode provocar ferimentos pessoais graves, retire sempre a bateria da ferramenta quando montar as peças, fizer ajustes, proceder à limpeza ou quando não utilizar a ferramenta.

⚠️ AVISO: Não utilize quaisquer acessórios para além dos recomendados pelo fabricante deste produto. A utilização de acessórios que não sejam recomendados pode dar origem a ferimentos sérios.

Antes de cada utilização, inspecione todo o produto quanto a peças danificadas, em falta ou soltas, como parafusos, porcas, tampas, etc. Aperte bem todos os fixadores e tampas e não utilize este produto até que todas as peças em falta ou danificadas sejam substituídas.

APLICAÇÕES

Pode utilizar este produto com os intuitos listados abaixo:

- Recolha de folhas, relva cortada e outros detritos.
- Limpeza de superfícies duras, como passeios e passagens.
- Manter terraços e serventias sem folhas.

AVISO: A máquina tem de ser usada apenas conforme descrito. Qualquer outra utilização será considerada má utilização.

FIXAR/RETIRAR A BATERIA

Utilize apenas com as baterias e carregadores da EGO listados na Imagem A2.

NOTA: Carregue por completo a bateria antes da primeira utilização.

Para fixar

Alinhe as abas da bateria com as ranhuras de fixação e pressione a bateria para baixo até ouvir um “clique” (Imagem I1).

Para libertar (Imagem I2)

Prima o botão de libertação da bateria e puxe a bateria para fora (Imagem I2).

⚠️ AVISO: Certifique-se sempre da localização dos seus pés, de crianças ou animais quando pressionar o botão de libertação da bateria. Se a bateria cair, podem ocorrer ferimentos sérios. NUNCA retire a bateria num local elevado.

LIGAR/DESLIGAR A MÁQUINA

Apenas gatilho da velocidade do ar

1. Prima o gatilho da velocidade do ar para ligar a máquina.

2. A velocidade do ar da máquina é controlada com o gatilho da velocidade variável. Mais pressão no gatilho dá origem a velocidades do ar superiores. Menos pressão no gatilho dá origem a velocidades do ar inferiores. Ajuste a velocidade para se adequar à tarefa a ser efetuada.
3. Liberte o gatilho da velocidade do ar para desligar a máquina.

Apenas disco da velocidade/bloqueio

A máquina pode ser bloqueada a qualquer velocidade com o disco da velocidade/bloqueio.

1. Rode o disco da velocidade/bloqueio na direção do suporte da alça para os ombros para ligar a máquina. A velocidade do ar aumenta à medida que o disco é rodado, até atingir a velocidade máxima (MAX).
2. Para diminuir a velocidade do ar, rode o disco da velocidade/bloqueio na direção oposta.
3. Continue a rodar o disco da velocidade/bloqueio para a posição de desligado (0) para parar a máquina.

AVISO: Se o disco da velocidade/bloqueio não voltar a ser rodado para a posição de desligado antes de retirar a bateria, o soprador não liga quando for instalada uma bateria carregada. Esta é uma característica de proteção para ajudar a evitar arranques acidentais. Prima o gatilho da velocidade do ar para desativar a proteção e ligar o soprador.

DICAS PARA USAR O SOPRADOR (Imagem K)

Para usar a máquina como soprador, siga as instruções na secção **MONTAGEM** para instalar o conjunto de aspiração.

- Para evitar dispersar o lixo, sobre em redor das extremidades de um monte de lixo. Nunca sobre diretamente para o centro do monte.
- Para reduzir os níveis de ruído, limite o número equipamentos elétricos usados de uma vez.
- Use ancinhos e vassouras para libertar o lixo antes de o soprar. Em condições poeirentas, humedeça ligeiramente as superfícies, se tiver água disponível.
- Poupe água, usando sopradores elétricos em vez de mangueiras para muitas aplicações em relvados e jardins, incluindo áreas como sarjetas, redes, pátios, grelhas, alpendres e jardins.
- Tenha cuidado com as crianças, animais, janelas abertas ou carros lavados recentemente, e afaste o lixo em segurança.

- Após utilizar o soprador ou outro equipamento, proceda à limpeza! Elimine o lixo corretamente.

DICAS PARA USAR O ASPIRADOR (Imagem L)

Para usar a máquina como aspirador, siga as instruções na secção **MONTAGEM** para instalar o conjunto de aspiração, saco de recolha e alça para os ombros.

- Verifique frequentemente o saco de recolha quanto a desgaste ou deterioração.
- Para evitar levantar o pó, feche por completo o fecho do saco de recolha antes de ligar a máquina.
- Esvazie o saco de recolha antes que fique cheio.
- Para evitar que entre água na máquina, use a máquina para recolher folhas húmidas do chão, mas não da piscina.
- Não permita sacos de plástico, panos e outros objetos que não sejam fáceis de quebrar e que possam ficar facilmente presos dentro da máquina.
- Não permita que materiais duros, como lascas de madeira grandes, metais, vidro, pedras, etc., sejam aspirados para a máquina.

MANUTENÇÃO

⚠ AVISO: Quando fizer reparações, utilize apenas peças de substituição idênticas. A utilização de outras peças pode dar origem a perigos ou danos no produto. Para garantir a segurança e bom funcionamento, todas as reparações deverão ser efetuadas por um técnico de reparação qualificado.

⚠ AVISO: Para evitar ferimentos sérios, retire sempre a bateria do produto quando limpar ou efetuar qualquer manutenção.

MANUTENÇÃO GERAL

Evite usar solventes quando limpar peças de plástico. Grande parte dos plásticos é suscetível a danos devido a vários tipos de solventes comerciais. Use panos limpos para retirar a sujidade, pó, óleo, gordura, etc.

⚠ AVISO: Nunca permita que o líquido dos travões, gasolina, produtos à base de petróleo, óleos penetrantes, etc., entrem em contacto com as peças de plástico. Os químicos podem danificar, enfraquecer ou destruir o plástico o que pode dar origem a ferimentos sérios.

ARMAZENAMENTO

- Retire a bateria da máquina.
- Limpe todo o material estranho das entradas de ar da máquina.

- Guarde-o num espaço fechado e inacessível a crianças. Mantenha afastado de agentes corrosivos, como químicos de jardinagem e sais de degelo.

Proteja o ambiente



Não elimine equipamento elétrico, bateria gasta nem carregador juntamente com o lixo doméstico comum!

Leve este produto a um centro de reciclagem autorizado para que possa haver uma separação das peças. As ferramentas elétricas têm de ser devolvidas em instalações de reciclagem ambientalmente compatíveis.

PT

RESOLUÇÃO DE PROBLEMAS

PT

PROBLEMA	CAUSA	SOLUÇÃO
O aspirador de folhas não funciona.	<ul style="list-style-type: none">■ Não existe contacto elétrico entre o aspirador de folhas e a bateria.■ A bateria está gasta.■ A bateria ou o soprador está muito quente.■ A máquina não está completamente montada.	<ul style="list-style-type: none">■ Retire a bateria, verifique os contactos e volte a instalar a bateria.■ Carregue a bateria.■ Deixe a bateria e o aspirador de folhas arrefecerem até que a temperatura atinja menos de 67 °C.■ Siga as instruções na secção Montagem para montar a máquina de forma completa e correta.
A velocidade do ar diminui significativamente.	<ul style="list-style-type: none">■ A entrada do ar está obstruída por resíduos.■ Desgaste excessivo da ventoinha do motor.■ Demasiados detritos dentro do saco de recolha.	<ul style="list-style-type: none">■ Retire as baterias e limpe os resíduos.■ Contacte o centro de reparação da EGO para efetuar a reparação.■ Esvazie o saco de recolha seguindo as instruções no capítulo Retirar e esvaziar o saco de recolha na secção MONTAGEM.

GARANTIA

POLÍTICA DE GARANTIA EGO

Visite o website egopowerplus.eu para os termos e condições completos da política de garantia da EGO.

LEGGERE TUTTE LE ISTRUZIONI!



LEGGERE TUTTE LE ISTRUZIONI!

⚠ AVVERTENZA! Per garantire sicurezza e affidabilità, tutte le operazioni di riparazione e sostituzione devono essere effettuate da un tecnico qualificato.

⚠ AVVERTENZA! Accertarsi di aver letto e compreso tutte le istruzioni di sicurezza in questo manuale, inclusi tutti i simboli di avvertenza come “PERICOLO”, “AVVERTENZA” e “ATTENZIONE”, prima di usare l'apparecchio. Il mancato rispetto di tutte le istruzioni elencate di seguito comporta il rischio di scossa elettrica, incendio e/o lesioni gravi.

CONSERVARE TUTTE LE AVVERTENZE E LE ISTRUZIONI PER FUTURO RIFERIMENTO.

SIMBOLI DI SICUREZZA

⚠ AVVERTENZA! L'uso di utensili elettrici può causare il lancio di oggetti estranei verso l'operatore, con il rischio di lesioni gravi agli occhi. Durante l'uso dell'utensile elettrico, indossare sempre occhiali protettivi o occhiali di sicurezza con protezioni laterali e, se necessario, una maschera facciale. Si raccomanda di indossare una maschera di sicurezza con ampio campo visivo sopra gli occhiali o occhiali di sicurezza standard con protezioni laterali.



Avvertenza di sicurezza



Durante l'uso del prodotto, indossare sempre protezioni per gli occhi e le orecchie.



Livello di potenza sonora garantito Emissione acustica ambientale ai sensi della direttiva dell'Unione europea



Gli apparecchi elettrici non devono essere smaltiti insieme ai rifiuti domestici. Portarli presso un centro di riciclaggio autorizzato.



Corrente continua



Tensione



Millimetro



Per ridurre il rischio di infortuni, l'operatore deve leggere e comprendere tutte le istruzioni prima di usare questo prodotto.



Tenere eventuali altre persone ad almeno 15 metri di distanza.



Questo prodotto è conforme alle direttive europee applicabili.



Questo prodotto è conforme alle direttive britanniche applicabili.



Protezione da schizzi d'acqua



Al minuto



Velocità a vuoto

AVVERTENZE DI SICUREZZA GENERICHE

⚠ AVVERTENZA! CONSULTARE TUTTE LE AVVERTENZE DI SICUREZZA, LE ISTRUZIONI, LE ILLUSTRAZIONI E LE SPECIFICHE FORNITE INSIEME A QUESTO APPARECCHIO. Il mancato rispetto delle istruzioni sotto riportate comporta il rischio di scossa elettrica, incendio e/o gravi infortuni.

IT

CONSERVARE TUTTE LE AVVERTENZE E LE ISTRUZIONI PER FUTURO RIFERIMENTO.

Il termine "apparecchio" utilizzato nelle avvertenze indica un apparecchio alimentato tramite presa di corrente (con cavo) o batteria (senza cavo).

SICUREZZA DELL'AREA DI LAVORO

- **Mantenere l'area di lavoro pulita e ben illuminata.** Il disordine e la scarsa illuminazione favoriscono gli incidenti.
- **Non usare l'apparecchio in atmosfere esplosive, ad esempio in presenza di liquidi, gas o polveri infiammabili.** Gli apparecchi producono scintille suscettibili di dare fuoco a polveri o vapori.
- **Durante l'uso dell'apparecchio, tenere a distanza i bambini e le persone presenti.** Le distrazioni possono causare la perdita di controllo.

SICUREZZA ELETTRICA

- **Le spine degli apparecchi devono essere adatte al tipo di presa. Non modificare la spina in alcun modo. Non usare adattatori con gli apparecchi dotati di messa a terra (collegati a massa).** L'uso di spine originali corrispondenti al tipo di presa riduce il rischio di scossa elettrica.
- **Evitare il contatto del corpo con superfici collegate a terra come tubi, radiatori, fornelli elettrici e frigoriferi.** Il rischio di scossa elettrica aumenta se il proprio corpo è collegato a terra.
- **Non esporre l'apparecchio a pioggia o umidità.** L'infiltrazione di acqua all'interno dell'apparecchio aumenta il rischio di scossa elettrica.
- **Non utilizzare il cavo in modo improprio. Non utilizzare il cavo per trasportare, spostare o scollegare l'apparecchio. Tenere il cavo al riparo da calore, olio, bordi taglienti o parti in movimento.** La presenza di cavi danneggiati o aggrovigliati aumenta il rischio di scossa elettrica.
- **Durante l'uso di un apparecchio all'aperto, utilizzare una prolunga idonea per ambienti esterni.** L'uso di un cavo idoneo riduce il rischio di scossa elettrica.

- **Se è necessario lavorare in un luogo umido, utilizzare un circuito elettrico dotato di interruttore differenziale (RCD).** L'uso di un interruttore differenziale (RCD) riduce il rischio di scossa elettrica.

SICUREZZA PERSONALE

- **Durante l'uso dell'apparecchio, prestare sempre la massima attenzione e utilizzare il buon senso. Non usare l'apparecchio se si è stanchi o sotto l'effetto di droghe, alcol o farmaci.** Anche un solo momento di disattenzione durante l'uso dell'apparecchio comporta il rischio di lesioni gravi.
- **Indossare dispositivi di protezione individuale. Indossare protezioni per gli occhi.** I dispositivi di protezione individuale come maschere antipolvere, calzature antiscivolo, caschi e cuffie per le orecchie, se utilizzati quando le circostanze lo richiedono, riducono il rischio di infortuni.
- **Prevenire l'avvio accidentale. Assicurarsi che l'interruttore sia in posizione di spegnimento prima di sollevare, trasportare o collegare l'apparecchio alla presa di corrente e/o alla batteria.** Per ridurre il rischio di incidenti, non trasportare l'apparecchio tenendo le dita sull'interruttore e non collegarlo alla presa di corrente se l'interruttore è in posizione di accensione.
- **Rimuovere eventuali chiavi di regolazione o avvitemento prima di avviare l'apparecchio.** Una chiave di serraggio rimasta inserita in un elemento mobile dell'apparecchio comporta il rischio di infortuni.
- **Non allungarsi eccessivamente. Mantenere sempre un buon equilibrio evitando posizioni instabili.** Ciò assicura un miglior controllo dell'apparecchio in situazioni impreviste.
- **Vestirsi in modo adeguato. Non indossare indumenti ampi o gioielli. Tenere capelli e indumenti lontani dalle parti in movimento.** Indumenti ampi, gioielli e capelli lunghi possono impigliarsi nelle parti in movimento.
- **Se sono disponibili dei dispositivi per l'estrazione e la raccolta della polvere, assicurarsi che siano collegati e utilizzati correttamente.** L'uso di tali dispositivi può ridurre i rischi connessi alle polveri.
- **Non lasciare che la familiarità con l'apparecchio (derivata da un uso frequente) abbassi il livello di attenzione.** Anche una minima distrazione può causare gravi infortuni.

USO E MANUTENZIONE DELL'APPARECCHIO

- **Non forzare l'apparecchio. Usare l'apparecchio più adatto al lavoro da svolgere.** L'apparecchio è più sicuro ed efficace se utilizzato alla velocità per la quale è stato progettato.
- **Non usare l'apparecchio se l'interruttore non funziona.** Un apparecchio che non può essere controllato dall'interruttore è pericoloso e deve essere riparato.
- **Rimuovere il gruppo batteria e/o scollegare l'apparecchio dalla fonte di alimentazione prima di regolarlo, riporlo o sostituire gli accessori.** Tali misure preventive riducono il rischio di avvio accidentale dell'apparecchio.
- **Riporre l'apparecchio fuori dalla portata dei bambini e non permetterne l'uso a persone che non hanno familiarità con l'apparecchio o con queste istruzioni.** Gli apparecchi sono pericolosi se utilizzati da persone non competenti.
- **Sottoporre l'apparecchio e gli accessori a una regolare manutenzione. Verificare che le parti mobili non siano disallineate o piegate e che non siano presenti danni o altre condizioni suscettibili di compromettere il funzionamento dell'apparecchio. Se l'apparecchio è danneggiato, farlo riparare prima di usarlo nuovamente.** Molti incidenti sono provocati da apparecchi in cattive condizioni.
- **Mantenere gli accessori di taglio puliti e affilati.** Un'adeguata manutenzione e affilatura degli accessori di taglio riduce il rischio di inceppamento e facilita il controllo dell'apparecchio.
- **Usare l'apparecchio, gli accessori, le punte ecc. conformemente a queste istruzioni, tenendo conto delle condizioni dell'area di lavoro e del tipo di lavoro da svolgere.** L'uso dell'apparecchio per operazioni diverse da quelle per cui è progettato può comportare situazioni di pericolo.
- **Mantenere le impugnature e le superfici di presa asciutte, pulite e prive di olio o grasso.** Impugnature e superfici di presa scivolose non garantiscono l'uso sicuro e il controllo dell'apparecchio in situazioni impreviste.

USO E MANUTENZIONE DELLA BATTERIA

- **Ricaricare la batteria esclusivamente con il caricabatteria specificato dal costruttore.** Un caricabatteria adatto a un certo tipo di gruppo batteria comporta il rischio di incendio se utilizzato con gruppi batteria di tipo diverso.

- **Usare esclusivamente gruppi batteria progettati specificamente per questo apparecchio.** L'uso di altri gruppi batteria comporta il rischio di incendio e infortunio.
- **Quando il gruppo batteria non è in uso, tenerlo lontano da piccoli oggetti metallici, ad esempio graffette, monete, chiavi, chiodi, viti ecc. poiché potrebbero creare un collegamento tra i due terminali.** Il cortocircuito dei terminali della batteria comporta il rischio di incendio o ustioni.
- **L'utilizzo improprio può causare fuoriuscite di liquido dalla batteria: evitare il contatto con tale liquido. In caso di contatto accidentale, lavare l'area interessata con acqua. Se il liquido entra a contatto con gli occhi, consultare un medico.** Il liquido fuoriuscito dalla batteria può causare irritazioni o ustioni.
- **Non usare gruppi batteria o apparecchi danneggiati o modificati.** Le batterie danneggiate o modificate possono manifestare comportamenti imprevisti, con il rischio di incendio, esplosione o infortunio.
- **Non esporre il gruppo batteria o l'apparecchio a fiamme o temperature eccessive.** L'esposizione a fiamme o temperature superiori a 130°C comporta il rischio di esplosione.
- **Rispettare tutte le istruzioni relative alla ricarica e non ricaricare il gruppo batteria o l'apparecchio a temperature diverse da quelle specificate nelle istruzioni.** Una ricarica eseguita in modo improprio o a temperature diverse da quelle specificate può danneggiare la batteria e aumentare il rischio di incendio.

RIPARAZIONI

- **Affidare la riparazione dell'apparecchio a personale qualificato e utilizzare esclusivamente parti di ricambio identiche.** Ciò garantisce la sicurezza dell'apparecchio.
- **Non riparare gruppi batteria danneggiati.** La riparazione dei gruppi batteria deve essere effettuata esclusivamente dal costruttore o da un centro di assistenza autorizzato.

AVVERTENZE DI SICUREZZA SPECIFICHE PER SOFFIATORI/ASPIRATORI

IT

- **Non usare l'apparecchio in condizioni climatiche avverse, in particolare se sussiste il rischio di fulmini.** Ciò riduce il rischio di essere colpiti da un fulmine.
- **Controllare frequentemente che il sacco di raccolta non sia usurato o danneggiato.** Un sacco di raccolta usurato o danneggiato aumenta il rischio di scossa elettrica.
- **Indossare protezioni per gli occhi e le orecchie.** L'uso di dispositivi di protezione adeguati riduce il rischio di lesioni.
- **Durante l'uso dell'apparecchio, indossare sempre calzature di protezione antiscivolo. Non usare l'apparecchio a piedi nudi o indossando sandali.** Ciò riduce il rischio di lesioni ai piedi.
- **Non indossare indumenti ampi o accessori come scarpe, stringhe, catene, lacci perché possono venire aspirate nelle aperture di ingresso dell'aria.** Legare o coprire i capelli lunghi per evitare che vengano aspirati nelle aperture di ingresso dell'aria. L'aspirazione di tali oggetti nelle aperture di ingresso dell'aria aumenta il rischio di lesioni personali.
- **Tenere le altre persone lontane dall'apparecchio quando è in funzione.** I detriti proiettati dall'apparecchio aumentano il rischio di lesioni.
- **Non usare l'apparecchio in modalità aspiratore senza aver installato il sacco di raccolta.** I detriti lanciati dall'apparecchio aumentano il rischio di lesioni.
- **Non dirigere la bocchetta del soffiatore verso persone, animali o finestre. Prestare particolare attenzione durante l'uso dell'apparecchio in prossimità di oggetti come alberi, veicoli e pareti, perché i detriti possono colpirla e rimbalzare verso l'operatore.** I detriti lanciati dall'apparecchio possono aumentare il rischio di danni materiali e lesioni.
- **Non usare l'apparecchio per aspirare o soffiare oggetti che bruciano o emettono fumo, ad esempio sigarette, fiammiferi o cenere ardente.** Tali fonti di accensione possono aumentare il rischio di incendio.
- **Non aspirare acqua o altri liquidi e non immergere alcuna parte dell'apparecchio nell'acqua.** L'infiltrazione di acqua all'interno dell'apparecchio può aumentare il rischio di scossa elettrica.

- **Non aspirare pietre, ghiaia, metallo o cocci di vetro.** La ventola può subire danni e aumentare il rischio di lesioni.
- **Non toccare la ventola quando è in movimento. Arrestare l'apparecchio e attendere che la ventola si fermi prima di rimuovere qualsiasi parte che consente l'accesso alla ventola.** Ciò riduce il rischio di lesioni causate dal contatto con le parti in movimento.
- **Prima di rimuovere il materiale incastrato o di effettuare lavori sull'apparecchio, assicurarsi che l'interruttore sia in posizione di spegnimento.** L'avvio accidentale dell'apparecchio durante la rimozione di materiale incastrato o la manutenzione comporta il rischio di lesioni gravi.

LEGGERE TUTTE LE ISTRUZIONI PRIMA DI USARE QUESTO PRODOTTO!

FORMAZIONE ALL'USO

- **Non permettere l'uso dell'apparecchio a bambini, persone con ridotte capacità fisiche, mentali o sensoriali o prive di esperienza e conoscenza o persone che non conoscono queste istruzioni.**
- **L'operatore o l'utente è responsabile per eventuali incidenti o rischi causati ad altre persone o proprietà.**

PREPARAZIONE

- **Questo apparecchio può essere usato sotto la pioggia o in condizioni di umidità. Asciugare l'apparecchio al termine del lavoro.**
- **Prima dell'uso, controllare che le batterie o i gruppi batteria siano privi di danni.** Non usare l'apparecchio se le batterie o i gruppi batteria sono danneggiati.

UTILIZZO

- **Questo apparecchio può essere usato sotto la pioggia o in condizioni di umidità. Asciugare l'apparecchio al termine del lavoro.**
- **Scollegare le batterie o il gruppo batteria nei seguenti casi.**
 1. Prima di lasciare l'apparecchio incustodito.
 2. Prima di eliminare un'ostruzione.
 3. Prima di ispezionare, pulire o regolare l'apparecchio.
 4. In caso di vibrazioni anomale (controllare immediatamente).

- Puntare bene i piedi sui terreni in pendenza.
- Durante l'uso dell'apparecchio, camminare e non correre.
- Tenere sempre pulite le aperture di ingresso dell'aria eliminando eventuali ostruzioni.
- Usare l'apparecchio esclusivamente in orari ragionevoli: non la mattina presto o la sera tardi, per evitare di disturbare altre persone.
- Se l'area di lavoro è polverosa, inumidire leggermente la superficie o usare l'accessorio nebulizzatore.

⚠ AVVERTENZA! Rischio di parti rotanti!

- Usare il tubo e la bocchetta di soffiaggio in tutta la loro estensione affinché il flusso d'aria lavori in prossimità del suolo.
- Non usare l'apparecchio in prossimità di finestre aperte, ecc.

MANUTENZIONE E CONSERVAZIONE

- Verificare che tutti i dadi, le viti e i bulloni siano serrati e che l'apparecchio funzioni correttamente.
- Sostituire i componenti usurati o danneggiati.
- Usare esclusivamente accessori e parti di ricambio originali.
- Riporre l'apparecchio esclusivamente in luoghi asciutti.

⚠ AVVERTENZA! Per ridurre il rischio di incendio, scossa elettrica o infortunio:

IMPORTANTE!

LEGGERE ATTENTAMENTE PRIMA DELL'USO.

CONSERVARE PER RIFERIMENTO FUTURO.

- L'apparecchio non deve essere utilizzato come giocattolo. Prestare particolare attenzione quando l'apparecchio viene usato da o in presenza di bambini.
- Se l'apparecchio presenta malfunzionamenti, ha subito cadute, è danneggiato, è stato lasciato all'aperto o è caduto in acqua, portarlo presso un centro di assistenza.
- Non inserire alcun oggetto nelle aperture di ventilazione dell'apparecchio. Non usare l'apparecchio se una o più aperture di ventilazione sono ostruite; mantenere le aperture di ventilazione prive di polvere, fibre, capelli e qualsiasi altro materiale suscettibile di ridurre il flusso d'aria.

- Prestare particolare attenzione durante l'uso dell'apparecchio su scale.
- Non lasciare l'apparecchio incustodito quando la batteria è inserita. Rimuovere la batteria quando l'apparecchio non è in uso e prima di effettuare qualsiasi operazione di manutenzione.
- Non toccare il caricabatteria, spina e terminali inclusi, con le mani bagnate.
- Non ricaricare il gruppo batteria all'aperto.

⚠ AVVERTENZA!

- Prima di smaltire l'apparecchio, rimuovere il gruppo batteria.

- La batteria deve essere smaltita in modo sicuro.

- **NON** tentare di rimuovere le ostruzioni dall'apparecchio senza aver prima rimosso la batteria.
- **Tenere l'apparecchio e l'impugnatura puliti e privi di olio e grasso.** Usare sempre un panno pulito durante la pulizia. Non usare mai liquido per freni, benzina, prodotti a base di petrolio o solventi aggressivi per pulire l'apparecchio. Il rispetto di questa istruzione evita il deterioramento delle superfici in plastica e riduce il rischio di perdita di controllo.
- **Le batterie possono esplodere in presenza di una fonte di accensione, ad esempio una fiamma pilota.** Per ridurre il rischio di lesioni gravi, non usare mai apparecchi alimentati a batteria in presenza di fiamme libere. L'esplosione di una batteria comporta il lancio di detriti e sostanze chimiche. In caso di esposizione, risciacquare immediatamente l'area interessata con acqua.
- **Non mettere in funzione l'apparecchio senza aver installato i componenti necessari.** Verificare sempre che il tubo dell'apparecchio sia installato.
- **Non usare l'apparecchio in prossimità di fuochi o cenere ardente.** L'uso in prossimità di fiamme o cenere comporta il rischio di incendio e il conseguente rischio di lesioni gravi e/o danni materiali.
- **Non usare l'apparecchio per diffondere sostanze chimiche, fertilizzanti o altre sostanze tossiche.** La diffusione di tali sostanze comporta il rischio di lesioni gravi all'operatore o alle persone presenti.
- **Conservare queste istruzioni.** Consultarle frequentemente e usarle per istruire gli altri operatori dell'apparecchio. In caso di cessione dell'apparecchio a terzi, allegare anche queste istruzioni per evitare l'uso scorretto e il rischio di lesioni.

CONSERVARE QUESTE ISTRUZIONI.

SPECIFICHE TECNICHE

IT

Tensione nominale		56 V $\overline{\text{---}}$
Soffiatore	Volume dell'aria max	850 m ³ /h
	Velocità dell'aria max	64 m/s (con il solo tubo di soffiaggio)
		93 m/s (con bocchetta conica)
Forza di soffiaggio max	15 N	
Capacità del sacco di raccolta		40 liter
Rapporto di triturazione max		16 : 1
Peso (senza gruppo batteria e bocchetta)		5,8 kg (aspiratore) 4,2 kg (soffiatore)
Temperatura di funzionamento raccomandata		Da -15 °C a 40°C
Temperatura di conservazione raccomandata		Da -20°C a 70°C
Temperatura di ricarica raccomandata		Da 5°C a 40°C
Livello di potenza sonora misurato L _{WA}		100 dB(A) K=1,9 dB(A)
Livello di pressione sonora a livello dell'operatore L _{PA}		88 dB(A) K=3 dB(A)
Livello di potenza sonora garantito L _{WA} (misurato conformemente a 2000/14/EC)		102 dB(A)
Vibrazioni a _n		Máx. 1,80 m/s ² K=1,5 m/s ²

- Il valore totale di emissione delle vibrazioni dichiarato è stato misurato con un metodo di valutazione standard e può essere utilizzato per confrontare l'apparecchio con altri prodotti analoghi.

- Il valore totale di emissione delle vibrazioni dichiarato può essere utilizzato anche per una valutazione preliminare dei livelli di esposizione.

NOTA: il valore di emissione delle vibrazioni durante l'uso effettivo dell'utensile elettrico può variare rispetto al valore totale dichiarato in base alla modalità di utilizzo dell'utensile. Per proteggersi, l'operatore deve indossare guanti e dispositivi di protezione per le orecchie in base alle condizioni di utilizzo effettive.

CONTENUTO DELL'IMBALLAGGIO (FIG. A1)

DESCRIZIONE

COMPONENTI DELL'ASPIRATORE/SOFFIATORE (Fig. A1)

1. Bocchetta di aspirazione
2. Tubo di aspirazione
3. Impugnatura di trasporto del gruppo aspiratore
4. Griglia di ingresso dell'aria
5. Impugnatura anteriore
6. Pulsante di rilascio della batteria
7. Manopola di bloccaggio della velocità
8. Anello di aggancio della tracolla
9. Impugnatura principale
10. Interruttore a velocità variabile
11. Sacco di raccolta
12. Tracolla
13. Contatti elettrici
14. Dispositivo di bloccaggio
15. Tubo di soffiaggio
16. Bocchetta conica

ASSEMBLAGGIO

⚠ AVVERTENZA! In caso di componenti danneggiati o mancanti, non usare l'apparecchio finché i componenti non vengono sostituiti. L'uso dell'apparecchio con componenti danneggiati o mancanti comporta il rischio di lesioni gravi.

⚠ AVVERTENZA! Non tentare di modificare l'apparecchio o usare accessori non raccomandati per l'uso con questo apparecchio. Tali alterazioni o modifiche costituiscono un uso improprio e comportano condizioni pericolose e il rischio di lesioni gravi.

⚠ AVVERTENZA! Per evitare l'avvio accidentale e il conseguente rischio di lesioni gravi, rimuovere sempre il gruppo batteria dall'apparecchio prima di assemblare i componenti.

NOTA: l'apparecchio non può essere avviato se il tubo di soffiaggio o il gruppo aspiratore e il sacco di raccolta non sono assemblati in modo corretto e completo.

INSTALLAZIONE/RIMOZIONE DEL TUBO DI SOFFIAGGIO

Installazione (Fig. B1 e B2)

Allineare la scanalatura e spingere il tubo nel corpo dell'apparecchio finché il pulsante di rilascio del tubo di soffiaggio non scatta in posizione.

B-1	Leva di bloccaggio del tubo di soffiaggio
-----	---

Rimozione (Fig. B3)

Premere la leva di bloccaggio del tubo di soffiaggio, quindi estrarre il tubo.

INSTALLAZIONE/RIMOZIONE DELLA BOCCHETTA CONICA

Installazione (Fig. C1 e C2)

Allineare la scanalatura sulla bocchetta conica con il tubo e spingere la bocchetta sul tubo finché non si incastra in posizione.

Rimozione (Fig. C3)

Tenere premuto il pulsante di rilascio della bocchetta, quindi rimuovere la bocchetta dal tubo tirandola in linea retta.

INSTALLAZIONE/RIMOZIONE DEL GRUPPO ASPIRATORE

Installazione della bocchetta di aspirazione (Fig. D)

ATTENZIONE! Una volta collegati, la bocchetta di aspirazione e il tubo di aspirazione formeranno una singola unità che non potrà essere disassemblata.

Allineare la scanalatura e spingere la bocchetta nel tubo di aspirazione finché il pulsante di bloccaggio della bocchetta di aspirazione non scatta in posizione.

Installazione del gruppo aspiratore

1. Premere la leva di bloccaggio del tubo di aspirazione per rilasciare la griglia di ingresso dell'aria, quindi aprire la griglia (Fig. E1 e E2).

E-1	Leva di bloccaggio del tubo di aspirazione
-----	--

2. Allineare le due sporgenze quadrate sul gruppo aspiratore con le due scanalature quadrate sull'apertura di ingresso dell'aria, come illustrato in fig. E3, per installare il gruppo aspiratore.
3. Spingere il gruppo aspiratore verso l'apertura di ingresso dell'aria finché la leva di bloccaggio del tubo di aspirazione non scatta in posizione (Fig. E4).
4. Spingere la griglia di ingresso dell'aria contro il gruppo aspiratore (Fig. E5).

Installazione del sacco di raccolta (Fig. F)

1. Allineare la scanalatura e spingere il connettore del sacco di raccolta tubo sul corpo dell'apparecchio finché la leva di bloccaggio del sacco di raccolta non scatta in posizione.

F-1	Connettore del sacco di raccolta	F-3	Fascetta del sacco di raccolta
F-2	Leva di bloccaggio del sacco di raccolta		

2. Fissare la fascetta del sacco di raccolta al gancio sul gruppo aspiratore come illustrato in Fig. F.

Rimozione e svuotamento del sacco di raccolta (Fig. G1)

1. Rimuovere la fascetta del sacco di raccolta dal gancio sul gruppo aspiratore.
2. Premere la leva di bloccaggio del sacco di raccolta, quindi rimuovere il sacco.
3. Aprire la zip per svuotare il sacco di raccolta.

G-1	Zip
-----	-----

Rimozione del gruppo aspiratore (Fig. G2 e G3)

1. Premere la leva di bloccaggio del tubo di aspirazione per sbloccare il tubo.
2. Rimuovere il gruppo aspiratore.
3. Spingere la griglia di ingresso dell'aria verso l'apertura di ingresso dell'aria finché la leva di bloccaggio non scatta in posizione.

INSTALLAZIONE DELLA TRACOLLA (Fig. H)

Premere i moschettoni della tracolla per aprirli e fissarli agli anelli di aggancio della tracolla su ciascuna estremità dell'apparecchio.

Sono disponibili due modalità di rimozione della tracolla. È possibile sfilarla direttamente dalla spalla o premere uno dei moschettoni per sganciare la tracolla dall'anello di aggancio.

⚠ AVVERTENZA! Durante l'uso della tracolla, assicurarsi di non indossare oggetti che possano interferire con la sua rimozione.

⚠ AVVERTENZA! In caso di emergenza, sfilarla immediatamente dalla spalla, indipendentemente dalla sua modalità di fissaggio.

⚠ AVVERTENZA! Non usare la tracolla a doppia spalla e la tracolla a spalla singola simultaneamente.

⚠ AVVERTENZA! Non usare la tracolla e l'imbracatura a zaino EGO BH1000 simultaneamente. Ciò impedisce il rilascio rapido dell'apparecchio in caso di emergenza, con il rischio di lesioni.

UTILIZZO

⚠ AVVERTENZA! La familiarità con questo apparecchio non deve rendere l'operatore disattento. Anche un solo momento di disattenzione comporta il rischio di lesioni gravi.

⚠ AVVERTENZA! Indossare sempre protezioni per gli occhi con protezioni laterali e protezioni per le orecchie per evitare il rischio di oggetti proiettati verso gli occhi dell'operatore e altre lesioni gravi.

⚠ AVVERTENZA! Per evitare l'avvio accidentale e il conseguente rischio di lesioni gravi, rimuovere sempre il gruppo batteria dall'apparecchio prima di regolarlo, pulirlo, assemblare i componenti e quando non è in uso.

⚠ AVVERTENZA! Non usare accessori non raccomandati dal costruttore dell'apparecchio. L'uso di accessori non raccomandati comporta il rischio di lesioni gravi.

Prima di ogni utilizzo, ispezionare l'intero apparecchio per verificare che nessun elemento sia mancante e non siano presenti componenti danneggiati o allentati, ad esempio viti, bulloni, cappucci, ecc. Serrare saldamente tutti i dispositivi di fissaggio e non usare l'apparecchio finché tutti i componenti mancanti o danneggiati non vengono sostituiti.

APPLICAZIONI

Questo apparecchio può essere usato per gli scopi elencati di seguito.

- Raccogliere foglie, residui di erba e altri detriti.
- Pulire superfici dure come vialetti e passerelle.
- Mantenere pedane e vialetti privi di foglie.

NOTA: l'apparecchio deve essere utilizzato esclusivamente per gli scopi previsti. Altri utilizzi sono da considerarsi impropri.

INSTALLAZIONE/RIMOZIONE DEL GRUPPO BATTERIA

Usare l'apparecchio esclusivamente con i gruppi batteria e i caricabatteria EGO elencati in Fig. A2.

NOTA: ricaricare completamente il gruppo batteria prima del primo utilizzo.

Installazione

Allineare i rilievi con le scanalature di fissaggio e premere il gruppo batteria fino al "clic" (Fig. 11).

Rimozione (Fig. I2)

Premere il pulsante di rilascio della batteria ed estrarre il gruppo batteria (Fig. I2).

⚠ AVVERTENZA! Prestare sempre attenzione ai propri piedi e all'eventuale presenza di bambini o animali attorno a sé durante la rimozione del gruppo batteria. La caduta del gruppo batteria comporta il rischio di lesioni gravi. Non rimuovere MAI il gruppo batteria quando si è in posizione elevata.

AVVIO/ARRESTO DELL'APPARECCHIO

Con l'interruttore a velocità variabile

1. Premere l'interruttore a velocità variabile per avviare l'apparecchio.
2. La velocità dell'aria dell'apparecchio è controllata dall'interruttore a velocità variabile. Una maggiore pressione sull'interruttore aumenta la velocità dell'aria; una pressione minore riduce la velocità dell'aria. Regolare la velocità in base al lavoro da svolgere.
3. Rilasciare l'interruttore a velocità variabile per arrestare l'apparecchio.

Con la manopola di bloccaggio della velocità

La velocità dell'aria può essere bloccata su qualsiasi livello con la manopola di bloccaggio della velocità.

1. Ruotare la manopola di bloccaggio della velocità

verso l'anello di aggancio della tracolla per avviare l'apparecchio. Ruotando la manopola, la velocità dell'aria aumenterà gradualmente fino a raggiungere il livello massimo (MAX).

2. Per ridurre la velocità dell'aria, ruotare la manopola in direzione opposta.
3. Portare la manopola in posizione di spegnimento (0) per arrestare l'apparecchio.

NOTA: se la manopola di bloccaggio della velocità non viene portata in posizione di spegnimento prima di rimuovere la batteria, l'apparecchio non si avvierà dopo aver installato una batteria carica. Questo meccanismo di sicurezza impedisce l'avvio accidentale dell'apparecchio. Premere l'interruttore a velocità variabile per disattivare il meccanismo di sicurezza e avviare l'apparecchio.

SUGGERIMENTI PER L'USO DEL SOFFIATORE (Fig. K)

Per usare l'apparecchio in modalità soffiatore, installare il tubo di soffiaggio come descritto alla sezione **ASSEMBLAGGIO**.

- Per evitare di spargere i detriti, soffiare lungo i bordi esterni del cumulo di detriti. Non soffiare mai direttamente verso il centro del cumulo.
- Per ridurre la rumorosità, limitare il numero di apparecchi utilizzati contemporaneamente.
- Usare rastrelli e scope per smuovere i detriti prima di soffiarli. In aree di lavoro polverose, inumidire leggermente le superfici, se possibile.
- L'uso di soffiatori al posto di tubi per innaffiare per pulire grondaie, zanzariere, terrazzi, griglie, verande e giardini permette di risparmiare acqua.
- Fare attenzione all'eventuale presenza di bambini, animali, finestre aperte o automobili appena lavate e soffiare i detriti in direzione opposta.
- Pulire l'area di lavoro dopo aver usato soffiatori o altri apparecchi. Smaltire i detriti adeguatamente.

SUGGERIMENTI PER L'USO DELL'ASPIRATORE (Fig. L)

Per usare l'apparecchio in modalità aspiratore, installare il gruppo aspiratore, il sacco di raccolta e la tracolla come descritto nella sezione **ASSEMBLAGGIO**.

- Controllare frequentemente che il sacco di raccolta non sia usurato o danneggiato.
- Per evitare di sollevare polvere, chiudere completamente la zip del sacco di raccolta prima di

avviare l'apparecchio.

- Svuotare il sacco di raccolta prima che si riempia completamente.
- Per evitare l'infiltrazione di acqua all'interno dell'apparecchio, raccogliere solo le foglie umide cadute sul terreno, non quelle presenti su una piscina.
- Non aspirare sacchetti di plastica, tessuti o altri oggetti difficili da rompere o che possono impigliarsi facilmente all'interno dell'apparecchio.
- Non aspirare materiali duri come grandi pezzi di legno, metallo, vetro, ghiaia, ecc.

IT

MANUTENZIONE

⚠ AVVERTENZA! Per la riparazione dell'apparecchio, usare esclusivamente parti di ricambio identiche. L'uso di altri ricambi comporta situazioni pericolose o il rischio di danni al prodotto. Per garantire sicurezza e affidabilità, tutte le operazioni di riparazione e sostituzione devono essere effettuate da un tecnico qualificato.

⚠ AVVERTENZA! Per evitare il rischio di lesioni gravi, rimuovere sempre il gruppo batteria dall'apparecchio prima delle operazioni di pulizia o manutenzione.

MANUTENZIONE GENERALE

Evitare l'uso di solventi durante la pulizia delle parti in plastica. I solventi disponibili in commercio possono danneggiare la maggior parte dei componenti in plastica. Usare un panno pulito per rimuovere sporczia, polvere, olio, grasso, ecc.

⚠ AVVERTENZA! Impedire il contatto di liquido per freni, benzina, prodotti a base di petrolio, oli penetranti, ecc. con le parti in plastica. Le sostanze chimiche possono danneggiare, indebolire o distruggere la plastica, con il rischio di lesioni gravi.

CONSERVAZIONE

- Rimuovere il gruppo batteria dall'apparecchio.
- Rimuovere tutti i materiali estranei dalle aperture di ingresso dell'aria dell'apparecchio.
- Conservare l'apparecchio in un luogo inaccessibile ai bambini e al riparo da agenti corrosivi, ad esempio sostanze chimiche per il giardinaggio e sale per disgelo.

Protezione dell'ambiente



Non smaltire gli apparecchi elettrici, i caricabatteria e le batterie insieme ai rifiuti domestici.

Portare il prodotto presso un centro di riciclaggio autorizzato affinché venga raccolto separatamente. Gli apparecchi elettrici devono essere portati presso un centro di riciclaggio ecocompatibile.

IT

RISOLUZIONE DEI PROBLEMI

PROBLEMA	CAUSA	SOLUZIONE
L'apparecchio non funziona.	<ul style="list-style-type: none"> ■ Nessun contatto elettrico tra l'apparecchio e il gruppo batteria. ■ Il gruppo batteria è scarico. ■ Il gruppo batteria o l'apparecchio sono troppo caldi. ■ L'apparecchio non è assemblato completamente. 	<ul style="list-style-type: none"> ■ Rimuovere il gruppo batteria, ispezionare i contatti e reinstallare il gruppo batteria. ■ Ricaricare il gruppo batteria. ■ Attendere che la temperatura del gruppo batteria e dell'apparecchio scenda al di sotto di 67°C. ■ Assemblare l'apparecchio come descritto alla sezione Assemblaggio.
La velocità dell'aria diminuisce significativamente.	<ul style="list-style-type: none"> ■ L'apertura di ingresso dell'aria è ostruita da detriti. ■ La ventola del motore è usurata. ■ Quantità eccessiva di detriti nel sacco di raccolta. 	<ul style="list-style-type: none"> ■ Estrarre le batterie e rimuovere i detriti. ■ Contattare il centro di assistenza EGO per la riparazione. ■ Svuotare il sacco di raccolta come descritto al paragrafo Rimozione e svuotamento del sacco di raccolta della sezione ASSEMBLAGGIO.

IT

GARANZIA

CONDIZIONI DELLA GARANZIA EGO

Visitare il sito web egopowerplus.eu per consultare le condizioni complete della garanzia EGO.

LEES ALLE INSTRUCTIES!



LEES DE GEBRUIKSAANWIJZING

⚠ WAARSCHUWING: Laat alle reparaties uitvoeren door een vakbekwame reparateur om een continue veiligheid en betrouwbaarheid te waarborgen.

⚠ WAARSCHUWING: Lees en begrijp alle veiligheidsinstructies die in deze gebruiksaanwijzing staan vermeld, waaronder alle veiligheidssymbolen zoals **“GEVAAR”**, **“WAARSCHUWING”**, en **“OPGELET”** voordat u dit gereedschap in gebruik neemt. Het negeren van onderstaande instructies kan leiden tot een elektrische schok, brand en/of ernstig persoonlijk letsel.

BEWAAR ALLE WAARSCHUWINGEN EN INSTRUCTIES VOOR TOEKOMSTIG GEBRUIK.

VEILIGHEIDSSYMBOLEN

⚠ WAARSCHUWING: Het gebruik van elektrische gereedschappen kan leiden tot het rondslingeren van (vreemde) objecten die in uw ogen kunnen terechtkomen. Dit kan leiden tot ernstig oogletsel. Wanneer u elektrische apparaten gebruikt, zorg er dan voor dat u altijd een veiligheidsbril (met zijschermen) of een gelaatsscherm draagt. We bevelen aan om een gelaatsscherm over uw bril of een standaard veiligheidsbril met zijschermen te gebruiken.



Veiligheidswaarschuwing



De gebruiker dient de gebruiksaanwijzing voor het gebruik van dit product te lezen en te begrijpen om risico op letsel te beperken.



Draag altijd gehoorbescherming en oogbescherming bij gebruik van dit product.



Houd alle omstanders minstens 15 meter uit de buurt.



Gewaarborgd geluidsvermogensniveau. Geluidsemissie voor de omgeving in overeenstemming met de richtlijnen van de Europese Unie.



Dit product is in overeenstemming met de EG-richtlijnen.



Gooi elektrisch afval niet via het huishoudelijk afval weg. Breng het naar een geautoriseerd recyclingbedrijf.



Dit product is in overeenstemming met de toepasselijke richtlijnen van het VK.



Gelijkstroom

IPX4 Bescherming tegen water



Spanning

./min Per minuut



Millimeter

n_0 Snelheid zonder belasting

ALGEMENE VEILIGHEIDSVORSCHRIFTEN VOOR HET GEREEDSCHAP

⚠ WAARSCHUWING: LEES ALLE VEILIGHEIDSWAARSCHUWINGEN, INSTRUCTIES, ILLUSTRATIES EN SPECIFICATIES DIE BIJ DEZE MACHINE ZIJN GELEVERD. Het niet opvolgen van alle onderstaande instructies kan leiden tot elektrische schokken en/of ernstig letsel.

BEWAAR ALLE WAARSCHUWINGEN EN INSTRUCTIES VOOR TOEKOMSTIG GEBRUIK.

De term „gereedschap” in de waarschuwingen verwijst naar uw op het voedingsnet aangedreven (met snoer) gereedschap of accu-aangedreven (snoerloos) gereedschap.

VEILIGHEID OP DE WERKPLAATS

- **Houd uw werkplaats schoon en goed verlicht.** Rommelige of donkere ruimten kunnen ongevallen veroorzaken.
- **Gebruik de machine niet in een explosieve omgeving, zoals in de aanwezigheid van ontvlambare vloeistoffen, gassen of stof.** De machine veroorzaakt vonken en deze kan stof of dampen ontsteken.
- **Houd kinderen en omstanders uit de buurt wanneer u een machine bedient.** Afleiding kan tot controleverlies leiden.

ELEKTRISCHE VEILIGHEID

- **De stekker van de machine moet in het stopcontact passen. Pas de stekker op geen enkele manier aan. Gebruik geen adapterstekker met gearde machines.** Niet aangepaste stekkers en overeenkomstige stopcontacten beperken het risico op elektrische schokken.
- **Vermijd lichamelijk contact met gearde oppervlakken, zoals pijpleidingen, radiatoren, fornuizen of koelkasten.** Het risico op een elektrische schok is groter als uw lichaam geard is.
- **Stel geen machines bloot aan regen of natte omstandigheden.** Water dat een machine binnendringt vergroot het risico op elektrische schokken.
- **Gebruik de kabel niet op een verkeerde manier. Gebruik de kabel nooit om de machine te dragen of mee te trekken of om de stekker uit het stopcontact te halen. Houd de kabel uit de buurt van hitte, olie, scherpe randen of bewegende onderdelen.** Beschadigde of verstrikte kabels

vergroten het risico op een elektrische schok.

- **Wanneer u een machine buitenshuis bedient, gebruik dan een verlengkabel die geschikt is voor gebruik buitenshuis.** Het gebruik van een kabel die voor gebruik buitenshuis geschikt is, verkleint het risico op een elektrische schok.
- **Als het gebruik van een machine in een vochtige ruimte noodzakelijk is, gebruik dan een aardlekschakelaar.** Het gebruik van een aardlekschakelaar verkleint het risico op een elektrische schok.

PERSONLIJKE VEILIGHEID

- **Wees waakzaam, let op wat u doet en gebruik uw gezond verstand wanneer u een machine gebruikt. Gebruik geen machine niet als u moe bent of onder de invloed bent van drugs, alcohol of medicijnen.** Een moment van onoplettendheid tijdens het gebruik van de machine kan leiden tot ernstig persoonlijk letsel.
- **Gebruik persoonlijke beschermingsmiddelen. Draag altijd oogbescherming.** Beschermingsmiddelen zoals een stofmasker, slipvaste veiligheidsschoenen, veiligheidshelm of gehoorbescherming afhankelijk van de aard en het gebruik van het gereedschap verkleint het risico op persoonlijk letsel.
- **Vermijd dat de machine per ongeluk wordt gestart. Zorg dat de schakelaar op de stand ‚Uit’ is ingesteld voordat u de machine op een stroombron en/of accu aansluit, vastneemt of draagt.** Het dragen van een gereedschap met uw vinger op de schakelaar of het activeren van een gereedschap met de schakelaar op ‚aan’, leidt tot ongelukken.
- **Verwijder instelsleutels of moersleutels voordat u de machine inschakelt.** Een instelsleutel of moersleutel in een draaiend deel van de machine achterlaten kan leiden tot persoonlijk letsel.
- **Reik niet te ver. Zorg er altijd voor dat u stevig en stabiel staat.** Dit zorgt ervoor dat u de machine in onverwachte situaties beter onder controle kunt houden.
- **Draag passende kleding. Draag geen los hangende kleding of sieraden. Houd uw haar en kleding uit de buurt van bewegende onderdelen.** Los hangende kleding, sieraden en lang haar kunnen in bewegende onderdelen verstrikt raken.
- **Wanneer de montage van stofafzuiging- of stofopvangvoorzieningen mogelijk is, dient u ervoor te zorgen dat deze juist aangesloten en gebruikt worden.** Het gebruik van voorzieningen voor

stofopvang kan helpen om het risico in verband met stof te verlagen.

- **Word niet zelfingenomen door de ervaring die u hebt opgedaan door frequent gebruik, waardoor u dan de veiligheidswaarschuwingen negeert.** Een achteloze actie kan binnen een fractie van een seconde ernstig letsel veroorzaken.

GEBRUIK EN ONDERHOUD VAN DE MACHINE

- **Overbelast de machine niet. Gebruik de juiste machine voor uw toepassing.** Met de juiste machine werkt u beter en veiliger binnen het aangegeven vermogensbereik.
- **Gebruik de machine niet als de schakelaar niet kan worden in- en uitgeschakeld.** Een machine die niet met de schakelaar kan worden bediend is gevaarlijk en moet worden gerepareerd.
- **Trek de stekker uit het stopcontact en/of verwijder het accupack voordat u de machine instelt, accessoires vervangt of het gereedschap opbergt.** Deze preventieve voorzorgsmaatregelen beperken het risico op onbedoeld starten van de machine.
- **Bewaars de niet-gebruikte machine buiten het bereik van kinderen en laat de machine niet bedienen door personen die niet bekend zijn met de machine of deze instructies.** Machines zijn gevaarlijk wanneer ze door onervaren personen worden gebruikt.
- **Onderhoud van machines en toebehoren. Controleer of de bewegende onderdelen correct functioneren en niet vastklemmen en/of de onderdelen zodanig gebroken of beschadigd zijn dat de werking van de machine nadelig wordt beïnvloedt. Als de machine beschadigd is, laat deze voor gebruik repareren.** Vele ongevallen worden veroorzaakt door een slecht onderhouden machine.
- **Houd snijgereedschap scherp en schoon.** Zorgvuldig onderhouden snijgereedschap met scherpe snijranden klemt minder snel vast en is gemakkelijker te beheersen.
- **Gebruik het gereedschap, de accessoires, het inzetgereedschap, etc. in overeenstemming met deze instructies en houd hierbij rekening met de werkomstandigheden en de uit te voeren werkzaamheden.** Het gebruik van de machine voor andere dan de beoogde toepassingen kan een gevaarlijke situatie tot gevolg hebben.
- **Houd de handgrepen en greepvlakken droog, schoon en vrij van olie en smeervet.** Glibberige handgrepen en greepvlakken maken een veilige

omgang en de controle over de machine in onverwachte situaties onmogelijk.

GEBRUIK EN ONDERHOUD VAN DE ACCU VAN DE MACHINE

- **Laad alleen op met de lader die door de fabrikant is aangegeven.** Een lader die geschikt is voor een bepaald type accu kan tot brandgevaar leiden wanneer deze gebruikt wordt met een ander accu.
- **Gebruik machines alleen met de specifiek vermelde accu's.** Het gebruik van andere accu's kan risico op letsel en brandgevaar veroorzaken.
- **Wanneer u de accu niet gebruikt, houd het uit de buurt van andere metalen voorwerpen zoals paperclips, munten, sleutels, spijkers, schroeven of andere kleine metalen voorwerpen die de twee aansluitklemmen kunnen verbinden.** Het kortsluiten van de aansluitklemmen kan brandwonden of brand veroorzaken.
- **Bij verkeerd gebruik kan er vloeistof uit de accu worden gespoten; vermijd elk contact. Als aanraking met de vloeistof toevallig plaatsvindt, spoel het dan af met water. Als de vloeistof in contact komt met de ogen, dient u onmiddellijk een arts te consulteren.** Vloeistof uit de accu kan irritatie of brandwonden veroorzaken.
- **Gebruik geen accu of machine die is beschadigd of aangepast.** Beschadigde of aangepaste accu's kunnen resulteren in onvoorzien gedrag zoals brand, explosie of het risico op letsel.
- **Stel een accu of machine niet bloot aan vuur of excessieve temperaturen.** Blootstelling aan vuur of temperaturen boven 130°C kunnen leiden tot een explosie.
- **Neem alle laad instructies in acht en laad de accu of de machine niet buiten het gespecificeerde temperatuurbereik in de handleiding op.** Het onjuist laden of bij een temperatuur buiten het temperatuurbereik kan de accu beschadigen en er bestaat een gevaar op brand.

REPARATIE

- **Laat uw machine repareren door een gekwalificeerd persoon en alleen met identieke reserveonderdelen.** Dit waarborgt dat de veiligheid van het gereedschap behouden blijft.
- **Repareer beschadigde accupacks nooit.** Onderhoud van accupacks mag alleen worden uitgevoerd door de fabrikant of een geautoriseerde dienstverlener.

VEILIGHEIDSWAARSCHUWINGEN VOOR BLAZERS/ZUIGERS

- **Gebruik de machine niet onder slechte weersomstandigheden, vooral niet als er sprake is van kans op bliksem.** Dit vermindert het risico om te worden getroffen door de bliksem.
- **Controleer de opvangzak regelmatig op slijtage of schade.** Een versleten of beschadigde opvangzak kan het risico op persoonlijk letsel verhogen.
- **Draag oog- en gehoorbescherming.** Gepaste beschermingsmiddelen beperken het risico op persoonlijk letsel.
- **Draag tijdens het gebruik van de machine altijd antislip en beschermend schoeisel. Gebruik de machine nooit met blote voeten of sandalen.** Dit beperkt de kans op letsel aan de voeten.
- **Draag geen loszittende kleding of voorwerpen zoals sjaals, koorden, kettingen, stropdassen etc. die in de luchtinlaten kunnen worden getrokken.** Bind lang haar vast of bedek het om ervoor te zorgen dat het niet in de luchtinlaten wordt getrokken. Als een van deze voorwerpen in de luchtinlaten wordt getrokken, kan dit het risico op persoonlijk letsel vergroten.
- **Houd omstanders uit de buurt terwijl u de machine gebruikt.** Weggeslingerd vuil kan het risico op persoonlijk letsel vergroten.
- **Niet gebruiken in de opzuigmodus zonder dat de opvangzak op zijn plaats zit.** Weggeslingerde voorwerpen kunnen het risico op persoonlijk letsel verhogen.
- **Richt de blaasmond nooit in de richting van mensen of huisdieren of in de richting van vensters. Wees extra voorzichtig wanneer u vuil wegblaast in de buurt van vaste objecten, zoals bomen, auto's en muren, het vuil kan namelijk afketsen.** Wegslingerende objecten kunnen eigendommen beschadigen en het risico op persoonlijk letsel vergroten.
- **Gebruik de machine niet om voorwerpen op te zuigen of weg te blazen die branden of roken, zoals sigaretten, lucifers of hete as.** Deze ontstekingsbronnen kunnen het risico op brand vergroten.
- **Zuig geen water of andere vloeistoffen op en dompel geen enkel onderdeel van de machine in een vloeistof.** Het binnendringen van water in de machine kan het risico op een elektrische schok verhogen.

- **Zuig geen stenen, grind, metaal of gebroken glas op.** Het ventilatorwiel kan beschadigd raken en het risico op persoonlijk letsel verhogen.
- **Raak de ventilator niet aan wanneer deze nog draait. Schakel de machine uit en wacht totdat de ventilator stopt met draaien voordat u onderdelen verwijdert die toegang tot de ventilator geven.** Dit vermindert het risico op letsel door bewegende onderdelen.
- **Zorg ervoor dat de aan/uit-schakelaar op uit is ingesteld wanneer u vastgelopen materiaal verwijdert of onderhoud op de machine uitvoert.** Het onverwacht starten van de machine tijdens het verwijderen van vastgelopen materiaal of onderhoud kan leiden tot ernstig persoonlijk letsel.

NL

LEES ALLE INSTRUCTIES DOOR VOOR GEBRUIK VAN DIT PRODUCT!

TRAINING

- **Sta kinderen, personen met een gereduceerde fysieke, sensorische of mentale capaciteiten of een gebrek aan ervaring en kennis of mensen die niet op de hoogte zijn van deze instructies, het gebruik van deze machine nooit toe.**
- **De bediener of gebruiker is verantwoordelijk voor ongevallen of gevaren die zich bij ander personen of hun eigendommen voordoen.**

VOORBEREIDING

- **De machine kan in regen of onder vochtige omstandigheden worden gebruikt. Veeg de machine droog na het beëindigen van de werkzaamheid.**
- **Voor gebruik, controleer de batterijen of accupacks op schade.** Gebruik het apparaat niet als de batterijen of het accupack beschadigd is.

WERKING

- **De machine kan in regen of onder vochtige omstandigheden worden gebruikt. Veeg de machine droog na het beëindigen van de werkzaamheid.**
- **Ontkoppel de batterijen of accupacks:**
 1. Wanneer u het apparaat zonder toezicht achterlaat;
 2. Voor het verwijderen van een verstopping;
 3. Voor het controleren, reinigen of onderhouden van het apparaat;
 4. Als het apparaat overmatig trilt.

- Let op uw houding als u het apparaat op hellingen gebruikt.
- Altijd lopen, nooit rennen.
- Houd alle ventilatieopeningen vrij van vuil.
- Het is aanbevolen om het apparaat alleen op redelijke uren te gebruiken – niet vroeg in de morgen of laat in de avond, zodat de burens niet worden gestoord.
- Het is aanbevolen om de oppervlakken in een stoffige omgeving eerst lichtjes vochtig te maken of een nevelopzetstuk te gebruiken.

⚠ WAARSCHUWING: Gevaar voor roterende onderdelen!

- Gebruik het mondstuk zodat de luchtstroom dicht bij de grond kan werken.
- Gebruik de machine niet in de buurt van open ramen etc.

ONDERHOUD EN OPSLAG

- Zorg dat alle moeren, bouten en schroeven altijd stevig vastgedraaid zijn om een veilige werking van het apparaat te waarborgen.
- Vervang versleten of beschadigde onderdelen.
- Gebruik alleen originele reserve-onderdelen en toebehoren.
- Berg het apparaat alleen op in een droge ruimte.

⚠ WAARSCHUWING: Om het risico op brand, elektrische schok of lichamelijk letsel te beperken:

BELANGRIJK

LEES GRONDIG VOOR GEBRUIK.

BEWAAR VOOR LATERE RAADPLEGING.

- Gebruik de machine niet als speelgoed. Houd toezicht wanneer gebruikt door of in de buurt van kinderen.
- Lever de machine in bij een bevoegd servicecentrum als deze niet naar behoren werkt, gevallen of beschadigd is of in water is gevallen.
- Steek geen voorwerpen in de openingen. Gebruik het apparaat niet als er een opening belemmerd is. Houd de openingen vrij van stof, pluisjes, haar en andere stoffen die de luchtstroom doen afnemen.
- Wees voorzichtig wanneer u trappen reinigt.
- Laat de machine niet zonder toezicht achter wanneer de accustekker is aangesloten. Haal de

accu uit de machine wanneer deze niet in gebruik is, alsmede tijdens het onderhoud.

- Raak de oplader, waaronder de stekker of aansluitklemmen, niet met natte handen aan.
- Laad de accu niet buitenshuis op.

⚠ WAARSCHUWING:

- Haal het accupack uit het gereedschap alvorens het gereedschap af te danken.

- Gooi het accupack op een veilige manier weg.

- **PROBEER NIET** om verstoppingen te verwijderen terwijl de accu zich nog in het apparaat bevindt.
- **Houd de machine en het handvat droog, schoon en vrij van olie en smeervet.** Gebruik alleen een schone doek om het apparaat te reinigen. Maak uw machine nooit schoon met een remvloeistof, benzine of producten op basis van aardolie of andere agressieve oplosmiddelen. Door deze regel op te volgen beperkt u het risico op controleverlies en aantasting van de kunststof behuizing.
- **Accu's kunnen exploderen in de aanwezigheid van een ontstekingsbron, zoals een waakvlam.** Om het risico op ernstig persoonlijk letsel te beperken, mag u nooit een snoerloos product in de aanwezigheid van een open vlam gebruiken. Een geëxplodeerde batterij kan vuil en chemische stoffen vrijgeven. Mocht u hieraan worden blootgesteld, dient u het onmiddellijk met water af te spoelen.
- **Gebruik het apparaat nooit zonder correct geplaatste opzetstukken.** Zorg er altijd voor dat de machinebuis is geïnstalleerd.
- **Gebruik de machine nooit in de buurt van vuur of hete as.** Gebruikt u het apparaat in de buurt van vuur of as dan kan het vuur verspreiden en ernstig letsel en/of schade aan eigendommen veroorzaken.
- **Gebruik de machine nooit voor het verspreiden van chemicaliën, meststoffen of andere giftige stoffen.** Het verspreiden van dit soort stoffen kan leiden tot ernstig letsel aan de gebruiker of omstanders.
- **Bewaar deze gebruiksaanwijzing.** Raadpleeg de gebruiksaanwijzing indien nodig en gebruik deze om andere personen die deze machine zullen gebruiken te instrueren. Als u deze machine aan iemand anders geeft, geef hem/haar dan in ieder geval ook de gebruiksaanwijzing mee om verkeerd gebruik en mogelijk letsel te voorkomen.

BEWAAR DEZE GEBRUIKSAANWIJZING!

SPECIFICATIES

Nominale spanning		56 V ---
Blazer	Maximaal luchtvolume	850 m ³ /u
	Maximale luchtsnelheid	64 m/s (met alleen blaasbuis)
		93 m/s (met conisch mondstuk)
Maximale blaaskracht	15 N	
Inhoud opvangzak		40 liter
Max. Versnipperingssnelheid		16 : 1
Gewicht (zonder accu en mondstuk)		5,8 kg (zuiger) 4,2 kg (blazer)
Aanbevolen bedrijfstemperatuur		-15°C-40°C
Aanbevolen opslagtemperatuur		-20°C-70°C
Aanbevolen oplaadtemperatuur		5°C-40°C
Gemeten geluidsvermogensniveau L _{WA}		100 dB(A) K=1,9 dB(A)
Geluidsdrumniveau bij de werkpositie L _{PA}		88 dB(A) K=3 dB(A)
Gegarandeerd geluidsvermogensniveau L _{WA} (conform 2000/14/EC)		102 dB(A)
Trilling a _n		Max. 1,80 m/s ² K= 1,5 m/s ²

- De opgegeven totale vibratiewaarde is gemeten volgens de standaard testmethode en kan worden gebruikt om het apparaat met een ander apparaat te vergelijken.
- De opgegeven totale vibratiewaarde kan tevens worden gebruikt in een voorafgaande beoordeling op blootstelling.

OPMERKING: De trillingsemissie tijdens het werkelijk gebruik van het elektrisch gereedschap kan verschillen van de opgegeven totale waarde; Om de gebruiker te beschermen dient de gebruiker tijdens het gebruik handschoenen en gehoorbescherming te dragen.

INHOUD VAN DE VERPAKKING (AFB. A1)

BESCHRIJVING

KEN UW BLADBLAZER/-ZUIGER (Afb. A1)

1. Zuigmondstuk
2. Zuigslang
3. Draaggreep voor zuiggedeelte
4. Luchtinlaatrooster
5. Voorste handgreep
6. Accuvrijgaveknop
7. Snelheid/vergrendeling-draaiknop
8. Schouderriem hanger
9. Primaire handgreep
10. Knop voor de luchtsnelheid
11. Opvangzak
12. Schouderriem
13. Elektrische contacten
14. Vergrendeling
15. Blaasbuis
16. Conisch mondstuk

MONTAGE

⚠ WAARSCHUWING: Als er onderdelen beschadigd zijn of ontbreken, gebruik dit product niet totdat alle onderdelen vervangen of aanwezig zijn. Dit product gebruiken met beschadigde of ontbrekende onderdelen kan ernstig persoonlijk letsel veroorzaken.

⚠ WAARSCHUWING: Probeer niet om dit product aan te passen of accessoires te maken die niet voor gebruik met dit product zijn aanbevolen. Een dergelijke aanpassing of wijziging is misbruik en kan leiden tot gevaar en een ernstig persoonlijk letsel.

⚠ WAARSCHUWING: Om het toevallig starten van de machine, dat ernstig persoonlijk letsel kan veroorzaken, te voorkomen, verwijder altijd de accu uit de machine voordat u onderdelen monteert.

NL

OPMERKING: De machine kan pas worden gestart wanneer de blaasbuis of het zuiggedeelte en de opvangzak volledig en correct zijn gemonteerd.

DE BLAASBUIS MONTEREN/VERWIJDEREN

Monteren (Afb. B1 & B2)

Lijn de groef uit en duw de buis op de blazer totdat de vergrendelingshendel van de blaasbuis vast komt te zitten.

NL

B-1	Vergrendelingshendel voor blaasbuis
-----	-------------------------------------

Verwijderen (Afb. B3)

Druk op de vergrendelingshendel van de blazer om de vergrendeling los te maken en verwijder vervolgens de buis.

HET CONISCH MONDSTUK OP/VAN DE BLADBLAZER MONTEREN/VERWIJDEREN

Monteren (Afb. C1 & C2)

Breng de groef van het conische mondstuk in één lijn met de knop van de buis en druk het mondstuk op de buis, totdat het vastklikt.

Verwijderen (Afb. C3)

Druk op de ontgrendelingsknop voor het mondstuk en houd deze ingedrukt om de vergrendeling te ontkoppelen. Trek het mondstuk vervolgens recht van de buis van de bladblazer af.

HET ZUIGGEDEELTE MONTEREN/VERWIJDEREN

Het zuigmondstuk monteren (Afb. D)

OPMERKING: Zodra het stofzuigermondstuk en de slang met elkaar verbonden zijn, worden ze één samenstel dat niet uit elkaar gehaald kan worden.

Lijn de groef uit en duw het mondstuk op de zuigbuis totdat de vergrendelingsknop van het zuigmondstuk op zijn plaats klikt.

Het zuiggedeelte monteren

1. Druk op de vergrendelingshendel van de zuigbuis om het luchtinlaatrooster te ontgrendelen en open vervolgens het rooster (Afb. E1 en E2).

E-1	Vergrendelingshendel van de zuigbuis
-----	--------------------------------------

2. Lijn de twee verhoogde vierkante hoeken op het zuiggedeelte uit met de twee verzonken vierkante

groeven bij de luchtinlaat, zoals weergegeven in Afb. E3 om het gedeelte in te schakelen.

3. Druk het zuiggedeelte in de richting van de luchtinlaat totdat de vergrendelingshendel van de zuigbuis vast komt te zitten (Afb. E4).
4. Druk het luchtinlaatrooster tegen de zuigeenheid (Afb. E5).

De opvangzak monteren (Afb. F)

1. Lijn de groef uit en duw het verbindingstuk van de opvangzak op de zuiger totdat de vergrendelingshendel van de opvangzak vast komt te zitten.

F-1	Verbindingsstuk van opvangzak	F-3	Bladopvangzaklus
F-2	Vergrendelingshendel voor opvangzak		

2. Hang de bladopvangzaklus aan de haak op de zuigeenheid, zoals weergegeven in Afb. F.

De opvangzak verwijderen en legen (Afb. G1)

1. Verwijder de bladopvangzaklus van de haak op de zuigeenheid.
2. Druk op de vergrendelingshendel van de opvangzak om de vergrendeling los te maken en verwijder vervolgens de zak.
3. Open de ritssluiting om de opvangzak te legen.

G-1	Ritssluiting
-----	--------------

Het zuiggedeelte verwijderen (Afb. G2 en G3)

1. Druk op de vergrendelingshendel van de zuigbuis om de buis te ontgrendelen.
2. Verwijder het zuiggedeelte.
3. Duw het luchtinlaatrooster in de richting van de luchtinlaat totdat de vergrendelingshendel vast komt te zitten.

DE SCHOUDERRIEM BEVESTIGEN (Afb. H)

Druk op de karabijnhaken om ze te openen en bevestig ze aan de schouderriemhangers aan elk uiteinde van de machine.

Er bestaan twee mogelijkheden om de riem los te maken. Haal de schouderriem direct van uw schouder af of druk op een van de karabijnhaken om de schouderriem van de schouderriemhanger los te koppelen.

⚠ WAARSCHUWING: Bij het dragen van de riem mag geen kleding het losmaken en verwijderen van de riem hinderen.

⚠ WAARSCHUWING: Als er sprake is van een noodgeval, haalt u hem direct van de schouder, ongeacht hoe de riem zit.

⚠ WAARSCHUWING: Gebruik geen enkele schouderriem of dubbele schouderriem tegelijkertijd.

⚠ WAARSCHUWING: Gebruik de schouderriem en de BH1000 EGO-rugzak koppeling niet tegelijkertijd. Dit belet een snelle noodontgrendeling van de machine met persoonlijk letsel tot gevolg.

WERKING

⚠ WAARSCHUWING: Vertrouwdheid kan leiden tot onvoorzichtigheid. Opgelet, één seconde van onoplettendheid kan ernstig letsel teweegbrengen.

⚠ WAARSCHUWING: Draag altijd oogbescherming met zijkanten en gehoorbescherming. Het niet dragen van deze beschermingsuitrusting kan ertoe leiden dat voorwerpen in uw ogen terechtkomen of kan een ander ernstig letsel veroorzaken.

⚠ WAARSCHUWING: Om het per ongeluk starten van het gereedschap, wat persoonlijk letsel kan veroorzaken, te voorkomen, dient u altijd het accupack uit het gereedschap te halen als u onderdelen monteert, instellingen uitvoert, het reinigt of als het niet in gebruik is.

⚠ WAARSCHUWING: Gebruik geen opzetstukken of toebehoren die niet door de fabrikant van dit product zijn aanbevolen. Het gebruik van niet aanbevolen opzetstukken of toebehoren kan leiden tot ernstig persoonlijk letsel.

Voor elk gebruik dient u het complete product op beschadigingen, ontbrekende of loszittende onderdelen zoals schroeven, moeren, bouten, doppen, etc. te controleren. Draai alle bevestigingen goed vast en gebruik dit product niet totdat alle missende of beschadigde onderdelen zijn vervangen.

BEOOGD GEBRUIK

U kunt dit product gebruiken voor onderstaand vermelde doeleinden:

- Het verzamelen van bladeren, gemaaid gras en ander vuil.
- Het reinigen van harde oppervlakken zoals opritten en paden.
- Het vrij houden van bladeren op terrassen en opritten.

OPMERKING: Het apparaat mag alleen voor het genoemde doeleinde worden gebruikt. Ieder ander gebruik is in dit geval misbruik.

HET ACCUPACK INSTALLEREN/VERWIJDEREN

Gebruik alleen met de in Afb. A2 vermelde accupacks en opladers van EGO.

OPMERKING: Laad het accupack voor de eerste ingebruikname volledig op.

Vastmaken

Breng de ribbels van de accu overeen met de montagesleuven en druk het accupack naar beneden totdat u "klik" hoort (Afb. I1).

Losmaken (Afb. I2)

Druk de accu-ontgrendelingsknop naar beneden en trek het accupack eruit (Afb. I2).

⚠ WAARSCHUWING: Houd altijd uw voeten, kinderen of huisdieren die zich in de buurt bevinden in het oog wanneer u op de accuvrijgaveknop drukt. Ernstig letsel kan zich voordoen wanneer het accupack valt. Haal het accupack NOOIT uit het apparaat wanneer u zich in een hoge positie bevindt.

STARTEN/STOPPEN VAN HET APPARAAT

Alleen knop voor de luchtsnelheid

1. Druk de knop voor de luchtsnelheid in om de machine in te schakelen.
2. De luchtsnelheid van de machine wordt bepaald met behulp van de knop voor de variabele snelheid. Meer druk op de knop resulteert in hogere luchtsnelheden; minder druk op de knop resulteert in lagere luchtsnelheden. Pas de snelheid aan de hand van de taak aan.
3. Laat de knop voor de luchtsnelheid los om de machine uit te schakelen.

Alleen snelheid/vergrendeling-draaiknop

De machine kan op elke snelheid worden vergrendeld met behulp van de snelheid/vergrendeling-draaiknop.

1. Draai de snelheid/vergrendeling-draaiknop in de richting van de nabijgelegen schouderriemhanger om de machine te starten. De luchtsnelheid neemt toe naarmate de knop wordt gedraaid totdat deze de maximale snelheid (MAX) bereikt.
2. Om de luchtsnelheid te verlagen, draai de snelheid/vergrendeling-draaiknop naar de andere kant.
3. Draai de snelheid/vergrendeling-draaiknop helemaal naar de uit-stand (0) om de machine te stoppen.

OPMERKING: Als de snelheid/vergrendeling-draaiknop niet terug wordt gedraaid naar de uit-positie alvorens de accu te verwijderen, start de bladblazer niet als een

volledig opgeladen accu wordt geplaatst. Dit is een beschermingseigenschap om per ongeluk starten te voorkomen. Druk de knop voor de luchtsnelheid om de bescherming te deactiveren en de bladblazer te starten.

TIPS VOOR HET GEBRUIKEN VAN DE BLAZER (Afb. K)

Om de machine als blazer te gebruiken, volg de instructies in de sectie **MONTAGE** om het zuigedeelte te installeren.

- Om het verspreiden van vuil te voorkomen, blaas rond de buitenrand van de vuilstapel. Blaas nooit direct in het midden van de stapel.
- Om het geluidsniveau te reduceren, beperk het aantal elektrische apparaten dat tegelijkertijd wordt gebruikt.
- Gebruik een hark of bezem om het afval los te maken voordat u het wegblaast. In een stoffige omgeving, maak het oppervlak lichtjes nat als geval water aanwezig is.
- Bespaar water door gebruik te maken van de accublazblazer in plaats van tuinslangen voor vele gazon- en tuintoepassingen, zoals voor het reinigen van goten, schermen, patio's, roosters, veranda's en tuinen.
- Let op voor kinderen, huisdieren, open vensters of pas gewassen auto's. Blaas het vuil op een veilige manier weg.
- Na gebruik van een accublazblazer of ander apparaat, ruim het vuil op! Gooi het vuil op een correcte manier weg.

TIPS VOOR HET GEBRUIKEN VAN DE ZUIGER (Afb. L)

Om de machine als zuiger te gebruiken, volg de instructies in de sectie **MONTAGE** om het zuigedeelte, de opvangzak en de schouderriem te installeren.

- Controleer de opvangzak regelmatig op slijtage of beschadiging.
- Om opwaaiend stof te voorkomen, sluit de ritssluiting van de opvangzak volledig voordat u de machine start.
- Leeg de opvangzak voordat deze vol is.
- Om te voorkomen dat er water in de machine komt, gebruik de machine om natte bladeren van de grond te verzamelen, maar niet vanuit het zwembad.
- Zuig geen plastic zakken, stoffen en andere voorwerpen, die niet gemakkelijk breken en gemakkelijk verstrikt kunnen raken in de machine, op.
- Zorg ervoor dat er geen harde materialen, zoals grote houtsnippers, metalen, glas, kiezelstenen, etc. in de machine worden gezogen.

ONDERHOUD

⚠ WAARSCHUWING: Gebruik tijdens reparaties uitsluitend identieke reserve-onderdelen. Het gebruik van andere onderdelen kan gevaar opleveren of schade aan het product veroorzaken. Laat alle reparaties uitvoeren door een vakbekwame reparateur om een continue veiligheid en betrouwbaarheid te waarborgen.

⚠ WAARSCHUWING: Om ernstig persoonlijk letsel te voorkomen dient u het accupack voor de reiniging of het onderhoud altijd uit het product te halen.

ALGEMEEN ONDERHOUD

Maak de kunststof onderdelen niet schoon met oplosmiddelen. De meeste kunststoffen kunnen worden beschadigd wanneer ze in contact komen met commerciële oplosmiddelen. Gebruik een schone doek voor het verwijderen van vuil, stof, olie, smeer, etc.

⚠ WAARSCHUWING: Zorg dat remvloeistoffen, benzine, producten op basis van aardolie, oliën, etc. op geen enkel moment met de kunststof onderdelen in aanraking komen. Chemicaliën kunnen de kunststof onderdelen beschadigen en ernstig persoonlijk letsel veroorzaken.

OPSLAG

- Verwijder de accu van de machine.
- Verwijder alle vreemde materialen uit de luchtinlaten van de machine.
- Berg binnenshuis op in een ruimte die voor kinderen ontoegankelijk is. Houd uit de buurt van corrosieve middelen, zoals tuinchemicaliën en strooizout.

Het milieu beschermen



Gooi geen elektrische apparatuur, gebruikte accu's en laders weg via het huishoudelijk afval!

Geef dit product af bij een geautoriseerd recyclingbedrijf en zorg dat het apart kan worden ingezameld. Elektrisch gereedschap moet worden afgegeven voor een milieuvriendelijke recycling.

PROBLEEMOPLOSSING

PROBLEEM	OORZAAK	OPLOSSING
Bladzuiger werkt niet.	<ul style="list-style-type: none"> ■ Er is geen elektrisch contact tussen de bladzuiger en de accu. ■ De accu is leeg. ■ Het accupack of bladblazer is te warm. ■ De machine is niet volledig in elkaar gezet. 	<ul style="list-style-type: none"> ■ Verwijder de accu, controleer de contacten en bevestig het accupack weer. ■ Laad het accupack op. ■ Koel het accupack en de bladblazer af totdat de temperatuur lager dan 67°C is. ■ Volg de instructies in de sectie Montage om de machine volledig en juist in elkaar te zetten.
The air velocity decreases significantly.	<ul style="list-style-type: none"> ■ De luchtinlaat is verstopt door vuil. ■ Buitensporige slijtage van de motorventilator. ■ Te veel vuil in de opvangzak. 	<ul style="list-style-type: none"> ■ Verwijder de accu's, ontdoe van vuil. ■ Neem contact op met het servicecentrum van EGO voor reparatie. ■ Leeg de opvangzak volgens de instructies in het hoofdstuk De opvangzak verwijderen en legen in de sectie MONTAGE.

NL

GARANTIE

EGO-GARANTIEBELEID

Ga naar de website egopowerplus.eu voor de volledige algemene voorwaarden van het EGO-garantiebeleid.

LÆS ALLE ANVISNINGER!



LÆS BRUGERVEJLEDNINGEN

⚠ ADVARSEL: For at sikre sikkerhed og pålidelighed, bør alle reparationer udføres af en kvalificeret servicetekniker.

⚠ ADVARSEL: Sørg for at læse og forstå alle sikkerhedsanvisninger i denne brugsanvisning, herunder alle sikkerhedssymboler, såsom "**FARE**", "**ADVARSEL**" og "**FORSIGTIG**", før du bruger dette værktøj. Hvis anvisningerne nedenfor ikke følges, kan det føre til elektrisk stød, brand og/eller alvorlig personskade.

GEM ALLE ADVARSLER OG INSTRUKTIONER TIL FREMTIDIG REFERENCE.

DK

SIKKERHEDSSYMBOLER

⚠ ADVARSEL: Når elværktøjer bruges, er der altid en risiko for at genstande slynges ind i øjnene, som kan føre til alvorlige øjenskader. Inden du begynder elværktøj drift, altid bære beskyttelsesbriller eller sikkerhedsbriller med side skjolde og en fuld ansigtsmaske når det er nødvendigt. Vi anbefaler en Wide Vision Safety Maske til brug over briller eller standard sikkerhedsbriller med sideskærme.



Sikkerhedsadvarsel



For at reducere risikoen for skader, skal brugeren læse og forstå brugsanvisningen, før dette produkt tages i brug.



Brug altid øre- og øjenværn, når dette produkt bruges.



Hold alle omkringstående mindst 15m væk.



Garanteret lydniveau. Støjemission til miljøet opfylder EF-direktivet.



Dette produkt er i overensstemmelse med gældende EU-direktiver.



Elektriske affaldsprodukter må ikke bortskaffes sammen med husholdningsaffald. Tag det til en godkendt genbrugsplads.



Dette produkt er i overensstemmelse med lovgivningen i Storbritannien.



Jævnstrøm (DC)

IPX4

Beskyttelse mod vandsprøjt

V

Spænding

./min

Per minut

mm

Millimeter

n_0

Hastighed uden belastning

GENERELLE SIKKERHEDSADVARSLER TIL MASKINEN

⚠ ADVARSEL: LÆS ALLE SIKKERHEDSADVARSLER, INSTRUKTIONER, BILLEDER OG SPECIFIKATIONER, DER FØLGER MED DENNE MASKINE. Hvis anvisningerne nedenfor ikke følges, kan det føre til elektrisk stød, brand og/eller alvorlig personskade.

GEM ALLE ADVARSLER OG INSTRUKTIONER TIL FREMTIDIG REFERENCE.

Udtrykket „maskine“ i advarslerne henviser til din netdrevne (med ledning) maskine eller batteridrevne (ledningsfri) maskine.

SIKKERHED PÅ ARBEJDSPLADSEN

- **Sørg for, at arbejdsområdet er rent og godt belyst.** Et rodet eller mørkt område kan føre til ulykker.
- **Maskinen må ikke bruges i eksplosionsfarlig atmosfære, såsom i nærheden af brændbare væsker, gasser eller støv.** Maskinen danner gnister, der kan antænde støv eller dampe.
- **Hold børn og tilskuere på afstand, når en maskine er i brug.** Distractioner kan medføre, at du mister kontrollen.

SIKKERHED OMKRING ELEKTRICITET

- **Maskinens stik skal passe til stikkontakten.** Stikket må på ingen måde ændres. **Brug ikke adapterstik med jordeforbundne maskiner.** Uændrede stik, der passer til stikkontakterne, nedsætter risikoen for elektrisk stød.
- **Undgå kropskontakt med jordforbundne overflader, såsom rør, radiatorer, komfurer og køleskabe.** Der er øget risiko for elektrisk stød, hvis din krop er jordforbundet.
- **Maskinen må ikke udsættes for regn eller våde forhold.** Hvis vand trænger ind i maskinen, forøges risikoen for elektrisk stød.
- **Ledningen må ikke mishandles. Brug aldrig ledningen til at bære eller trække maskinen, eller til at trække stikket ud. Hold ledningen væk fra varme, olie, skarpe kanter og bevægelige dele.** Beskadigede eller sammenfiltrede ledninger, øger risikoen for elektrisk stød.
- **Hvis maskinen bruges udendørs, skal der bruges en forlængerledning, der er egnet til udendørs brug.** Brug af en egnet ledning til udendørs brug, reducerer risikoen for elektrisk stød.

- **Hvis en maskine skal bruges på et fugtigt sted, skal du bruge en strømforsyning med et fejlstrømsrelæ (GFCI).** Brug af et fejlstrømsrelæ, reducerer risikoen for elektrisk stød.

PERSONLIG SIKKERHED

- **Vær forsigtig, hold øje med hvad du laver, og brug din sunde fornuft, når du bruger maskinen.** Maskinen må ikke bruges, hvis du er træt eller er påvirket af narkotika, alkohol eller medicin. Et øjeblikvis uopmærksomhed under brugen af maskinen kan føre til alvorlige personskader.
- **Brug personligt beskyttelsesudstyr. Brug altid beskyttelsesbriller.** Værnemidler, såsom støvmaske, skridsikre sikkerhedssko, hjelm eller høreværn, der anvendes under passende betingelser, nedsætter risikoen for personskade.
- **Forhindre utilsigtet start. Sørg for, at tænd/sluk-knappen er slukket, inden maskinen sluttes til strømkilden eller batteripakken, samt inden den løftes op eller bæres rundt.** Undgå, at bære maskiner med fingeren på tænd/sluk-knappen eller strømforbundne maskiner, hvor tænd/sluk-knappen er tændt, da dette kan føre til ulykker.
- **Fjern indstillingsværktøj eller skruenøgler, før maskinen startes.** Hvis en skruenøgle eller en nøgle sidder i en drejende del på maskinen, kan den føre til personskader.
- **Undgå at række for langt frem. Sørg altid for at stå ordentligt fast og i god balance.** På denne måde får du bedre kontrol over maskinen i uventede situationer.
- **Brug passende tøj. Brug ikke løstsiddende tøj eller smykker. Hold hår og tøj væk fra bevægelige dele.** Løstsiddende tøj, smykker eller langt hår kan komme i klemme i bevægelige dele.
- **Hvis der monteres tilbehør til opsamling af støv eller andet, skal det sikres at disse monteres og bruges rigtigt.** Anvendelse af støvanordninger kan mindske støvrelaterede risici.
- **Selvom du ofte bruger og har et godt kendskab til maskinen, må du ikke være overmodig eller glemme sikkerhedsprincipperne.** En uagtsom handling kan forårsage alvorlig skade i en brøkdelt af et sekund.

BRUG OG PLEJE AF MASKINEN

- **Tving ikke maskinen. Brug den rigtige maskine til opgaven.** Den rigtige maskine gør arbejdet bedre og mere sikkert, da det er beregnet til formålet.

DK

- **Maskinen må ikke bruges, hvis tænd/sluk-knappen ikke kan tænde og slukke.** En maskine, hvor tænd/sluk-knappen ikke dur, er farlig og skal reparereres.
- **Træk stikket ud af strømforsyning og/eller tag batteripakken ud af maskinen, inden du foretager justeringer, skifter tilbehør eller sætter maskinen til opbevaring.** Sådanne forebyggende sikkerhedsforanstaltninger mindsker risikoen for, at maskinen startes ved et uheld.
- **Maskiner, der ikke bruges, skal holdes ude af børns rækkevidde. Lad ikke personer, der ikke er bekendt med maskinen eller disse instruktioner, bruge maskinen.** Maskinen er farligt i hænderne på brugere, der ikke ved, hvordan det skal bruges.
- **Vedligehold maskinen og tilbehøret. Sørg for, at de bevægelige dele ikke er fejljusterede eller binder eller er i en tilstand, der kan påvirke maskinens drift. Hvis maskinen beskadiges, skal den reparereres før brug.** Der sker mange ulykker på grund af dårligt vedligeholdte maskiner.
- **Klippemaskiner skal holdes skarpe og rene.** Skæremaskiner med skarpe kanter, der vedligeholdes ordentligt, er mindre tilbøjelige til at binde og er lettere at styre.
- **Maskinen, tilbehør og bits osv. skal bruges i overensstemmelse med disse instruktioner, hvor arbejdsforholdene og arbejdet, der skal udføres, skal tages i betragtning.** Maskinen må ikke bruges til andet end dens tiltænkte formål, da dette kan føre til en farlig situation.
- **Hold håndtag og gribeblader tørre, rene og fri for olie og fedt.** Glatte håndtag og glatte overflader, der holdes i, gør maskinen farligt at bruge i uventede situationer.

BRUG OG PLEJE AF DENNE BATTERIDREVNE MASKINE

- **Genoplad kun med opladeren er angivet af fabrikanten.** Hvis en oplader, der er egnet til én slags batteri, bruges med en anden slags batteri, kan det føre til brand.
- **Brug kun maskiner med særligt udpegede batteripakker.** Brug af andre batterier kan skabe risiko for personskade og brand.
- **Når batteripakken ikke er i brug, skal den holdes væk fra andre metalgenstande som papirclips, mønter, nøgler, søm, skruer eller andre små metalgenstande, der kan skabe forbindelse fra en pol til en anden.** Shorting batteripolerne sammen kan forårsage forbrændinger eller brand.
- **Ved forkert anvendelse kan der slippe væske ud af batteriet: Undgå kontakt. Hvis det alligevel skulle ske, skal området skylles med vand. Hvis væsken kommer i øjnene, skal du søge lægehjælp.** Væske fra batteriet kan forårsage irritation eller forbrændinger.
- **Brug ikke et batteri eller en maskine, der er beskadiget eller modificeret.** Beskadigede eller modificerede batterier kan opføre sig uforudsigeligt og forårsage brand, eksplosion eller risiko for personskade.
- **Udsæt ikke et batteri eller en maskine for ild eller for høj temperatur.** Udsættelse for ild eller temperaturer over 130 °C kan forårsage eksplosion.
- **Følg alle anvisninger vedrørende opladning, og oplad ikke batteriet eller maskinen uden for temperaturområdet, der står i anvisningerne.** Forkert opladning eller temperaturer uden for det angivne område kan beskadige batteriet og øge risikoen for brand.

SERVICE

- **Få maskinen serviceret af en kvalificeret tekniker, og brug kun originale reservedele.** Dette vil sikre, at maskinen fortsat er sikker at bruge.
- **Udfør aldrig selv service på beskadigede batterier.** Service på batterier må kun udføres af producenten eller godkendte servicecentre.

SIKKERHEDSADVARSLER TIL BLÆSEREN/ SUGEREN

- **Maskinen må ikke bruges i dårlige vejrforhold, særligt hvis der er risiko for lynnedslag.** Det mindsker risikoen for at blive ramt af lyn.
- **Kontrollér ofte, at opsamlere til snavs og brokker, ikke slidt eller ødelagt.** En slidt eller beskadiget opsamlere forøger risikoen for personskader.
- **Brug øjenbeskyttelse og høreværn.** Når der bruges ordentligt beskyttelsesudstyr, reducerer risikoen for personskader.
- **Brug altid skridsikkert og beskyttende fodtøj, når maskinen bruges.** Maskinen må ikke bruges med bare fødder eller med åbne sandaler på. Dette reducerer risikoen for skader på fødderne.
- **Brug ikke løstsiddende tøj eller genstande, såsom tørklæder, snore, kæder, slips eller lignende, da disse kan suges ind i luftindtagene.** Bind langt hår op, eller tildæk det, så det ikke suges ind i luftindtagene. Hvis nogen af disse genstande suges ind i luftindtagene, forøges risikoen for personskader.

- Hold omkringstående personer væk, når maskinen bruges. Slyngende genstande forøger risikoen for personskader.
- Sugefunktionen må ikke bruges uden at affaldsopsamleren er sat på. Slyngede genstande forøger risikoen for personskader.
- Ret aldrig blæseren mod personer, dyr eller vinduer. Vær ekstra forsigtig, når du blæser affald i nærheden af faste genstande, såsom træer, biler og mure, der affaldet kan rikoettere. Slyngede genstande kan beskadige ejendomme og de forøger risikoen for personskader.
- Maskinen må ikke bruges til at opsamle eller blæse i genstande, der brænder eller ryger, som f.eks. cigaretter, tændstikker eller varm aske. Disse antændelseskilder forøger risikoen for brand.
- Sug ikke vand eller andre væsker op, og nedsænk ikke nogen dele af maskinen i væske. Hvis vand trænger ind i maskinen, forøges risikoen for elektrisk stød.
- Sug ikke sten, grus, metal eller glasskår. Ventilatorhjulet kan tage skade, og det kan forøge risikoen for personskader.
- Undgå at røre ventilatoren, når den stadig kører. Sluk maskinen, og vent indtil ventilatoren stopper helt, før du fjerner dele, der kan trænge ind i blæseren. Dette reducerer risikoen for skader på grund af bevægelige dele.
- Hvis du skal fjerne fastklemte materialer eller hvis maskinen skal serviceres, skal du sørge for at slukke maskine på tænd/sluk-knappen og på stikkontakten. Uventet igangsætning af maskinen, når fastklemt materiale fjernes eller under vedligeholdelse, kan føre til alvorlige personskader.

LÆS ALLE ANVISNINGER, FØR APPARATET TAGES I BRUG!

UDDANNELSE

- Lad aldrig børn, personer med nedsatte fysiske, sensoriske eller mentale evner eller manglende erfaring og viden, eller folk der ikke kender disse instruktioner bruge apparatet.
- Brugeren er ansvarlig for eventuelle ulykker eller farer for andre personer eller deres ejendom.

FORBEREDELSE

- Maskinen kan bruges i regn og våde forhold. Tør maskinen af, når du er færdig med at bruge den.

- Før brug skal du kontrollere batterier eller batteripakker for skader. Brug ikke apparatet, hvis batterierne eller batteripakken er beskadiget.

BETJENING

- Maskinen kan bruges i regn og våde forhold. Tør maskinen af, når du er færdig med at bruge den.
- Afbryd batterier eller batteripakker:
 1. Når du forlader apparatet;
 2. Inden fjernelse af en blokering;
 3. Før du kontrollerer, rengør eller arbejder på apparatet;
 4. Hvis apparatet begynder at vibrere unormalt.
- Sørg altid for godt fodfæste på skrånede overflader.
- Gå, aldrig løbe.
- Hold alle køleluftindtag fri for snavs.
- Det anbefales kun at benytte apparatet på rimelige tidspunkter - ikke tidligt om morgenen eller sent om aftenen, når det kan forstyrre folk.
- Det anbefales at fugte overflader, hvis der er støvet, eller bruge forstøvertilbehør.

⚠ ADVARSEL: Fare for roterende dele!

- Træk mundstykket helt ud, så luftstrømmen kan arbejde tæt på jorden.
- Brug ikke maskinen i nærheden åbne vinduer mv.

VEDLIGEHOLDELSE OG OPBEVARING

- Hold alle møtrikker, bolte og skruer stramme for at være sikker på, at apparatet er i sikker stand.
- Udskift slidte eller beskadigede dele.
- Brug kun originale reservedele og tilbehør.
- Opbevar kun apparatet på et tørt sted.

⚠ ADVARSEL: For at reducere risikoen for brand, elektrisk stød, eller tilskadekomst:

VIGTIG

LÆS OMHYGGELIGT FØR BRUG.

GEM TIL SENERE REFERENCE.

- Denne maskine er ikke et legetøj. Man skal være særligt opmærksom, når den anvendes af eller i nærheden af børn.
- Hvis maskinen ikke virker som den skal, er blevet

DK

tabt, beskadiget eller faldet i vandet, returneres den til et servicecenter.

- Put ikke genstande i åbninger i apparatet. Må ikke anvendes med nogen åbning blokeret; hold åbninger fri for støv, fnug, hår, og noget, der kan reducere luftstrømmen.
- Vær ekstra forsigtig ved rengøring på trapper.
- Maskinen må ikke efterlades uden opsyn, når batteristikket er tilsluttet. Tag batteriet ud, når maskinen ikke er i brug og før service.
- Rør ikke ved opladeren, herunder opladerens stik eller opladerens terminaler med våde hænder.
- Oplad ikke batteriet udendørs.

DK

⚠ ADVARSEL:

- Batteripakken skal fjernes fra apparatet, inden det bortskaffes.
- Batteriet skal bortskaffes på sikker måde.
- Forsøg **IKKE** at fjerne fastsiddende klumper fra apparatet uden først at fjerne batteriet.
- **Hold maskinen og dens håndtag tør, ren og fri for olie og fedt.** Brug altid en ren klud ved rengøring. Brug aldrig bremsevæske, benzin, oliebaseerede produkter eller andre kraftige opløsningsmidler til rengøring af maskinen. Hvis denne regel følges, vil det mindske risikoen for tab af kontrol og ødelæggelse af plastikkabinettet.
- **Batterier kan eksplodere i nærheden af en antændelseskilde, såsom en flamme.** For at reducere risikoen for alvorlig personskade, bør man aldrig bruge ledningsfrie produkter i nærheden af åben ild. Et eksploderet batteri kan sende snavs og kemikalier i alle retninger. Ved udsættelse herfor skylles straks med vand.
- **Brug aldrig apparatet, uden at det rette udstyr er monteret.** Sørg altid for, at maskinrøret er sat på.
- **Maskinen må aldrig bruges i nærheden af ild eller varm aske.** Brug nær ild eller aske kan sprede ilden og medføre alvorlig skade på personer eller ejendom.
- **Brug aldrig maskinen til at sprede kemikalier, gødning eller andre giftige stoffer.** Spredning disse stoffer kan medføre alvorlig skade på operatøren eller omkringstående.
- **Gem disse vejledninger.** Brug dem regelmæssigt, og brug dem til at instruere andre, der skal bruge denne maskine. Hvis du låner denne maskine ud til nogen, skal du sørge for, at vejledningerne følger med, så de undgår fejlbrug af produktet og mulige personskader.

GEM DISSE VEJLEDNINGER!

SPECIFIKATIONER

Nominel spænding		56 V $\overline{\text{---}}$
Blæser	Maksimal luftmængde	850 m ³ /t
	Maksimal lufthastighed	64 m/s (kun med blæserør)
		93 m/s (med spids mundstykke)
Maksimal blæsekraft	15 N	
Løvposens kapacitet		40 liter
Maks. Makuleringshastighed		16 : 1
Vægt (uden batteripakke og mundstykke)		5,8 kg (suger) 4,2 kg (blæser)
Anbefalet driftstemperatur		-15°C-40°C
Anbefalet opbevaringstemperatur		-20°C-70°C
Anbefalet opladningstemperatur		5°C-40°C
Målt lydeffektniveau L _{WA}		100 dB(A) K=1,9 dB(A)
Lydtryk tæt ved driftspositionen L _{PA}		88 dB(A) K=3 dB(A)
Garanteret lydeffektniveau L _{WA} (i henhold til 2000/14/EC)		102 dB(A)
Vibration a _h		Maks. 1,80 m/s ² K= 1,5 m/s ²

- Den samlede erklærede vibrationsværdi er målt i overensstemmelse med en standard testmetoden, og den kan bruges til at sammenligne et værktøj med et andet.
- Den samlede angivne vibrationsværdi kan også bruges ved en foreløbig vurdering af eksponeringen.

BEMÆRK: Vibrationsemissionen ved faktisk brug af elværktøjet kan afvige fra den angivne værdi, hvor værktøjet bruges. For at beskytte brugeren, skal brugeren bruge handsker og høreværn i de faktiske brugsforhold.

LISTE OVER DELE (FIG. A1)

BESKRIVELSE

GØR DIG BEKENDT MED DIN LØVSUGER (fig. A1)

1. Sugemundstykke
2. Sugerør
3. Bærehåndtag til sugeenheden
4. Skærm til luftindløb
5. Forhåndtag
6. Udløserknop til batteri
7. Hastighed/Låseknop
8. Bøjle til skulderrem
9. Hovedhåndtag
10. Luftstyrkeknop
11. Løvpose
12. Skulderrem
13. Elektriske kontakter
14. Lås
15. Blæserrør
16. Spids mundstykke

SAMLING

⚠ ADVARSEL: Hvis der er dele, der er beskadigede eller mangler, anvendes apparatet ikke, før delene er udskiftet. Brug af dette produkt med beskadigede eller manglende dele kan medføre alvorlig personskade.

⚠ ADVARSEL: Forsøg ikke at ændre dette produkt eller fremstille tilbehør, der ikke anbefales til brug med dette produkt. Enhver sådan ændring eller modifikation er misbrug og kan resultere i en farlig situation og føre til eventuel alvorlig personskade.

⚠ ADVARSEL: For at forebygge utilsigtet start, der kan forårsage alvorlige personskader, skal batteripakken altid tages ud af maskinen, når delene sættes på.

BEMÆRK: Maskinen kan ikke startes, før blæserrøret eller sugeenheden og løvposen sættes ordentligt på.

MONTERING / AFMONTERING AF BLÆSERRØRET

Montering (fig. B1 & B2)

Sørg for at rillen passer, og tryk derefter røret på blæserkabinettet, indtil det låses fast.

B-1	Låsegreb til blæserrør
-----	------------------------

Afmontering (fig. B3)

Tryk på blæsereens låsegreb for at løsne låsen, og tag derefter slangen af.

MONTERING/AFMONTERING AF BLÆSERENS KONISKE MUNDSTYKKE

Montering (fig. C1 & C2)

Sørg for at rillen på det spidse mundstykke passer med rørknoppen, og tryk mundstykket ind i røret, indtil det klikkes på plads.

Afmontering (fig. C3)

Hold frigivelsesknappen til mundstykket nede for, at åbne låsen, og træk derefter mundstykket lige af blæserrøret.

MONTERING/AFMONTERING AF SUGEENHEDEN

Sådan sættes sugemundstykket på (fig. D)

BEMÆRK: Når først mundstykket og sugerøret sættes sammen, bliver de én samlet sugeenhed, der ikke kan skilles ad.

Sørg for at rillen passer, og tryk mundstykket på sugerøret, indtil dets låseknop låses på plads.

Sådan sættes sugeenheden på

1. Tryk på sugerørets låsegreb for at løsne skærmen til luftindløbet, og åbn derefter skærmen (fig. E1 & E2).

E-1	Greb til låsning af sugerøret
-----	-------------------------------

2. Sørg for at de to hævede firkantede hjørner på sugeenheden passer med de to forsænkede firkantede riller på luftindløbet, som vist på fig. E3, og sæt derefter enheden på.
3. Tryk sugeenheden mod luftindløbet, indtil sugeslangens låsegreb går i hak (fig. E4).
4. Tryk skærmen til luftindløbet mod sugeenheden (fig. E5).

DK

Sådan sættes løvposen på (fig. F)

1. Sørg for at rillen passer, og tryk løvposens kobling på sugekabinettet, indtil løvposens låsegreb låses fast.

F-1	Kobling på løvpose	F-3	Løkke til løvpose
F-2	Låsegreb til løvposen		

2. Hæng løkken til løvposen på krognen på sugeneheden, som vist i fig. F.

Sådan fjernes og tømmes løvposen (fig. G1)

1. Tag løvposens løkke af krognen på sugeneheden.
2. Tryk på løvposens låsegreb for at løsne låsen, og tag derefter posen af.
3. Åbn lynlåsen og tøm løvposen.

G-1	Lynlås
-----	--------

Sådan fjernes sugeneheden (fig. G2 og G3)

1. Tryk på sugeslangens låsegreb for at låse slangen op.
2. Tag sugeneheden af.
3. Tryk skærmen til luftindløbet mod luftindløbet, indtil låsegrebet går i hak.

MONTERING AF SKULDERSTROP (fig. H)

Tryk på stropens karabinhager for at åbne dem, og sæt dem fast på strophullerne i hver ende af maskinen.

Stroppen kan løsnes på to måder. Tag den direkte af skulderen, eller tryk på en af karabinhagerne for at løsne skulderstroppen fra strophullet.

⚠ ADVARSEL: Når du bruger remmen, må ingen andre bærebare ting forstyrre frigørelsen og fjernelse af remmen.

⚠ ADVARSEL: Hvis der opstår en fare, skal den straks tages af skulderen, uanset hvordan remmen er sat på.

⚠ ADVARSEL: Du må ikke bruge den ene skulderrem og den dobbelte skulderrem på samme tid.

⚠ ADVARSEL: Skulderstroppen og BH1000 EGO rygsækforbindelsen må ikke bruges på samme tid. Hvis dette gøres, kan maskinen ikke hurtigt løsnes i en nødsituation, hvilket kan føre til personskader.

BETJENING

⚠ ADVARSEL: Lad ikke fortrolighed med dette produkt

gøre dig skødesløs. Husk på, at det kan føre til alvorlige skader, hvis du ikke er opmærksom i blot et sekund.

⚠ ADVARSEL: Bær altid beskyttelsesbriller med sidebeskyttelse, sammen med høreværn. Hvis disse ikke bruges, kan du få genstande slynget i øjnene, og der kan også opstå andre alvorlige skader.

⚠ ADVARSEL: For at forhindre, at apparatet startes ved et uheld, som kan føre til alvorlige personskader, skal batteripakken altid tages ud, når dele sættes på, motorsaven justeres og rengøres og når den ikke er i brug.

⚠ ADVARSEL: Anvend ikke tilbehør eller påmonteringer, der ikke anbefales af fabrikanten af dette produkt. Brug af tilbehør eller påmonteringer, der ikke anbefales, kan forårsage alvorlig personskade.

Før hver brug skal du undersøge hele produktet for skader, manglende eller løse dele, såsom skruer, møtrikker, bolte, hætter osv. Spænd omhyggeligt alle befæstelsesdele og hætter, og betjen ikke dette produkt, før alle manglende eller beskadigede dele er udskiftet.

ANVENDELSER

Du kan bruge dette produkt til de formål, der er nævnt nedenfor:

- Samling af løv, afklippet græs og andet affald.
- Rydning af hårde overflader, såsom indkørsler og fortove.
- Holde terrasser og indkørsler fri for løv.

BEMÆRK: Maskinen må kun bruges til dens tilsigtede formål. Enhver anden anvendelse anses for at være et tilfælde af misbrug.

PÅSÆTNING / AFTAGNING BATTERIPAKKEN

Produktet må kun bruges med EGO's batteripakker og opladere, der er anført i fig A2.

BEMÆRK: Oplad batteriet helt før første brug.

Montering

Sørg for at batteriets ribber passer med monteringsrillerne, og tryk batteriet ned indtil du hører et „klik“ (fig. 11).

Sådan løsnes den (fig. 12)

Tryk på batteriudløserknappen, og træk batteripakken ud (fig. 12).

⚠ ADVARSEL: Vær altid opmærksom på dine fødders placering og på børn eller kæledyr omkring dig, når du trykker på udløserknappen til batteriet. Der kan opstå alvorlig skade, hvis der opstår en fejl på batteriet. Fjern ALDRIG batteriet på et højt sted.

SÅDAN STARTES/STOPPES MASKINEN

Kun luftstyrkeknop

1. Tryk på luftstyrkeknappen, for at tænde maskinen.
2. Maskinens luftstyrke styres med luftstyrkeknappen. Jo mere knappen trykkes ned, jo kraftigere bliver luftstyrken. Jo mindre knappen trykkes ned, jo svagere bliver luftstyrken. Juster styrken i henhold til opgaven.
3. Slip luftstyrkeknappen for at slukke maskinen.

Kun styrke/låseknop

Maskinen kan låses på alle styrker med styrke/låseknappen.

1. Drej styrke/låseknappen mod det nærliggende strophul for at starte maskinen. Luftstyrken forøges, når drejeknappen drejес med uret, indtil den når den maksimale styrke (MAX).
2. For at sænke luftstyrken, skal du dreje styrke/låseknappen i modsat retning.
3. Fortsæt med at dreje styrke/låseknappen, indtil den slukker (0), hvorefter maskinen stopper.

BEMÆRK: Hvis styrke/låseknappen ikke slukkes, før batteriet fjernes, starter blæseren ikke, når et opladet batteri sættes i. Dette er en beskyttelsesfunktion, som skal forhindre utilsigtet start. Tryk på luftstyrkeknappen, for at deaktivere denne beskyttelsesfunktion og starte blæseren.

TIP TIL BRUG AF BLÆSEREN (Fig. K)

Hvis du vil bruge maskinen som blæser, skal du følge instruktionerne i afsnittet **SAMLING** for at sætte sugenheden på.

- For ikke at sprede snavset og skidt bør man blæse rundt om yderkanterne af bunken af snavs og skidt. Blæs aldrig direkte ind i midten af en bunke.
- For at reducere lydniveauet bør antallet af stykker el-udstyr, der anvendes på et givet tidspunkt, begrænses
- Brug river og koste til at løsne skidt og snavs, før der blæses. Hvis der er støvet, så fugt overfladerne let, hvis der er vand i nærheden.
- Spar på vandet ved at bruge løvblæsere i stedet for vandslanger til mange af anvendelserne på græsplæner og i haver, herunder områder som

tagrender, læskærme, terrasser, griller og verandaer.

- Hold øje med børn, kæledyr, åbne vinduer eller nyvaskede biler, og blæs skidt og snavs sikkert i den rigtige retning.
- Efter at have brugt løvblæsere eller andet udstyr: Ryd op! Bortskaf skidt og snavs på korrekt vis.

TIP TIL BRUG AF SUGEREN (fig. L)

Hvis du vil bruge maskinen som suger, skal du følge instruktionerne i afsnittet **SAMLING** for at sætte sugenheden, løvposen og skulderremmen på.

- Se regelmæssigt løvposen efter for slid og forringelse.
- For at undgå støvdannelse, skal løvposens lynlås lukkes helt, før du starter maskinen.
- Tøm løvposen, før den bliver fuld.
- For at undgå at vand trænger ind i maskinen, må maskinen kun bruges til at opsamle vådt løv fra jorden, men ikke fra en swimmingpool.
- Undgå, at plastikposer, stof og andre genstande, der ikke er nemt kan brydes ned, og som let kan vikles ind i maskinen, komme ind i maskinen.
- Undgå, at hårde materialer som f.eks. store træspåner, metaller, glas, småsten og lignende suges ind i maskinen.

DK

VEDLIGEHOLDELSE

⚠ ADVARSEL: Ved service må der kun bruges originale reservedele. Brug af andre reservedele kan medføre fare eller forårsage skader på produktet. For at sikre sikkerhed og pålidelighed, bør alle reparationer udføres af en kvalificeret servicetekniker.

⚠ ADVARSEL: For at undgå alvorlig personskade, altid fjerne batteriet fra produktet ved rengøring eller udfør vedligeholdelse.

GENEREL VEDLIGEHOLDELSE

Undgå, at bruge opløsningsmidler til rengøring af plastdele. De fleste plastmaterialer risikerer at blive ødelagt, ved brug af forskellige slags alment tilgængelige opløsningsmidler. Brug rene klude til at fjerne snavs, støv, olie, fedt osv.

⚠ ADVARSEL: Plastikdelene må aldrig komme i kontakt med bremsevæske, benzin, petroleum-baserede produkter, gennemtrængende olie, osv. Kemikalier kan

beskadige, svække og ødelægge plastic, hvilket kan føre til alvorlige personskader.

OPBEVARING

- Tag batteripakken ud af maskinen.
- Fjern alle fremmedlegemer fra maskinens luftindtag.
- Opbevares indendørs på et sted, der er utilgængeligt for børn. Holdes væk fra ætsende stoffer, såsom havekemikalier og vejsalt.

Beskyttelse af miljøet

DK



Elektrisk udstyr, batterioplader og batterier må ikke smides ud sammen med almindelig husholdningsaffald!

Tag dette produkt til en autoriseret genbrugsplads, og sørg for at det sendes til genbrug. Elektriske værktøjer skal bortskaffe på en genbrugsplads.

FEJLFINDING

PROBLEM	ÅRSAG	LØSNING
Løvsugereren virker ikke.	<ul style="list-style-type: none"> ■ Der er en løs forbindelse mellem løvsugereren og batteripakken. ■ Batteripakken er afladet. ■ Batteripakke eller løvblæser er for varm. ■ Maskinen er ikke samlet helt. 	<ul style="list-style-type: none"> ■ Fjern batteriet, kontrollér kontakterne og sæt batteriet på igen. ■ Oplad batteripakken. ■ Lav batteripakke og løvblæser køle ned, indtil temperaturen falder til under 67 °C. ■ Følg vejledningerne i afsnittet Samling for at samle maskinen ordentligt.
The air velocity decreases significantly.	<ul style="list-style-type: none"> ■ Luftindtaget er blokeret af skidt og snavs. ■ Stærkt slid på motorventilator. ■ Der er for meget affald i løvposen. 	<ul style="list-style-type: none"> ■ Tag batterierne ud, og fjern skidt. ■ Kontakt EGO's servicecenter for reparation. ■ Tøm løvposen ved at følge vejledningerne i kapitlet Sådan fjernes og tømmes løvposen i afsnittet SAMLING.

DK

GARANTI

EGO GARANTI POLITIK

Besøg venligst hjemmesiden egopowerplus.eu for fuldstændige vilkår og betingelser for EGO's garantipolitik.

LÄS IGENOM ALLA INSTRUKTIONER!



LÄS IGENOM BRUKSANVISNINGEN

⚠ VARNING: För att garantera en säker och pålitlig användning måste alla reparationer utföras av en kvalificerad servicetekniker.

⚠ VARNING: Var noga med att läsa igenom och förstå alla säkerhetsinstruktioner i denna bruksanvisning, inklusive alla varningssymboler såsom "FARA", "VARNING" och "FÖRSIKTIGHET" innan detta verktyg används. Underlåtenhet att läsa alla instruktioner som listas nedan kan resultera i elektrisk stöt, brand och/eller allvarlig personskada.

SPARA ALLA VARNINGAR OCH INSTRUKTIONER FÖR FRAMTIDA REFERENS.

SE

SÄKERHETSSYMBOLER

⚠ VARNING: Användning av något elverktyg kan resultera i att främmande föremål kastas in i dina ögon vilket kan resultera i allvarliga ögonskador. Innan elverktyget börjar användas skall alltid skyddsglasögon eller skyddsglasögon med sidoskydd och full ansiktsskydd användas när så behövs. Vi rekommenderar att en ansiktsmask med brett synfält används ovanpå glasögonen eller standard skyddsglasögon med sidoskydd.



Säkerhetslarm



För att minska risker för skador måste användare läsa igenom och förstå bruksanvisningen innan denna produkt används.



Använd alltid hörselskydd och skyddsglasögon när du använder denna produkt.



Håll alla åskådare på ett avstånd av minst 15 meter.



Garanterad ljudeffektnivå. Bulleremissioner för omgivningen enligt EU-direktivet.



Denna produkt är i enlighet med gällande EG-direktiv.



Förbrukade elektriska produkter får inte kastas i hushållssoporna. Lämnas in dem till en auktoriserad återvinningsstation.



Denna produkt uppfyller tillämpliga lagar i Storbritannien.



Likström

IPX4 Skydd mot stänkande vatten

V

Spänning

./min Per minut

mm

Millimeter

n_0 Tomgångshastighet

ALLMÄNNA VARNINGAR FÖR MASKINSÄKERHET

⚠ VARNING: LÄS IGENOM ALLA SÄKERHETSVARNINGAR, INSTRUKTIONER, ILLUSTRATIONER OCH SPECIFIKATIONER SOM MEDFÖLJER DENNA MASKIN. Underlåtenhet att följa alla instruktioner som listas nedan kan resultera i elektriska stötar, brand och/eller allvarliga personskador.

SPARA ALLA VARNINGAR OCH INSTRUKTIONER FÖR FRAMTIDA REFERENS.

Termen „maskin“ i varningarna syftar på din nätdrivna (sladdanslutna) maskin eller batteridrivna (sladdlösa) maskin.

ARBETSPLATSSÄKERHET

- **Håll arbetsområdet rent och ordentligt upplyst.** Belamrade eller mörka områden inbjuder till olyckor.
- **Använd inte maskiner i explosiva miljöer som t.ex. i närvaron av brandfarliga vätskor, gaser eller damm.** Maskiner skapar gnistor som kan antända damm eller ångor.
- **Håll barn och åskådare borta medan maskinen arbetar.** Störningarna kan göra att du tappar kontrollen.

ELEKTRISK SÄKERHET

- **Maskinens stickkontakt måste matcha uttaget. Modifiera aldrig kontakten på något sätt. Använd inte någon adapterkontakt med motordrivna verktyg som är jordade.** Stickkontakter som inte modifierats och passar i eluttaget minskar risken för elektriska stötar.
- **Undvik kroppskontakt med jordanslutna eller jordade ytor såsom rör, värmeelement, spisar och kylskåp.** Det finns en ökad risk för elektrisk stöt om din kropp är jordansluten eller jordad.
- **Utsätt inte maskiner för regn eller våta förhållanden.** Om vatten tränger in i en maskin ökar risken för elektriska stötar.
- **Vanvårda inte kabeln. Använd aldrig kabeln för att bära, släpa eller för att koppla ur maskinen.** Håll kabeln borta från värme, olja, skarpa kanter och rörliga delar. Skadade eller tilltrasslade sladdar ökar risken för elektrisk stöt.
- **Vid användning av en maskin utomhus, använd en förlängningskabel som är avsedd för utomhusbruk.** Användning av en sladd som passar för utomhusanvändning minskar risken för elektrisk stöt.

- **Om arbete med en maskin i en fuktig lokal är oundvikligt, använd ett uttag som är skyddat med jordfelsbrytare.** Användning av en jordfelsbrytare minskar risken för elektriska stötar.

PERSONLIG SÄKERHET

- **Var uppmärksam och observant samt använd sunt förnuft när du använder en maskin. Använd inte en maskin om du är trött eller under påverkan av droger, alkohol eller medicin.** Ett ögonblicks ouppmärksamhet vid användning av maskiner kan leda till allvarliga personskador.
- **Använd personlig skyddsutrustning. Använd alltid skyddsglasögon.** Minska risken för personskador genom att använda skyddsutrustning som t.ex. ansiktsmask, halkfria skyddsskor, hjälm och hörselskydd.
- **Förebygg oavsiktlig start. Se till att strömbrytaren är i frånläge innan du ansluter till strömkällan och/eller batteripaketet, plockar upp eller bär verktyget.** Att bära maskiner med fingret på strömbrytaren eller strömsatta maskiner som har strömbrytaren påslagen inbjuder till olyckor.
- **Ta bort inställningsnycklar eller skiftnycklar innan maskinen slås på.** En skiftnyckel eller en nyckel som sitter kvar på en roterande del av maskinen kan resultera i personskada.
- **Sträck dig inte för långt. Ha ordentligt fotfäste och balans hela tiden.** Detta möjliggör bättre kontroll av maskinen i oväntade situationer.
- **Klä dig på lämpligt sätt. Använd inte löst sittande kläder eller smycken. Håll hår och klädsel på avstånd från de rörliga delarna.** Löst sittande kläder, smycken och långt hår kan fastna i de rörliga delarna.
- **Om enheter har anslutning för dammuppsamlare och anslutningsmöjligheter, se till att de är anslutna och används på korrekt sätt.** Användning av dammuppsamlare kan minska dammrelaterade faror.
- **Låt inte vana efter regelbunden användning av apparaten göra att du blir självsäker och ignorerar verktygets säkerhetsprinciper.** En vårdslös handling kan orsaka allvarliga personskador inom bråkdelen av en sekund.

MASKINANVÄNDNING OCH SKÖTSEL

- **Tvinga inte maskinen. Använd rätt maskin för ditt arbete.** En korrekt maskin utför jobbet bättre och säkrare med den hastighet som den designats för.

SE

- **Använd inte maskinen om strömbrytaren inte kan slås på eller stängas av.** Alla maskiner som inte kan kontrolleras med strömbrytaren är farliga och måste repareras.
- **Koppla ifrån kontakten från strömkällan och/eller batteripaketet från maskinen innan några justeringar gör, tillbehör byts eller maskinen läggs undan.** Dessa förebyggande säkerhetsåtgärder minskar risken för att elverktyget startas oavsiktligt.
- **Förvara maskiner som går på tomgång utom räckhåll för barn och låt inte personer som är ovana med apparaten eller dessa instruktioner använda maskinen.** Maskiner är farliga i händerna på utbildade användare.
- **Underhålla maskiner och tillbehör. Kontrollera efter felinställning eller kärvande rörliga delar, brott på delar och alla andra tillstånd som kan påverka funktionen hos maskinen. Om maskinen är skadad ska den repareras före användning.** Många olyckor beror på dåligt underhållna maskiner.
- **Håll klippmaskiner vassa och rena.** Ordentligt underhållna kapmaskiner med vassa sågkanter är mindre sannolika att fastna och är lättare att kontrollera.
- **Använd maskinen, tillbehör, verktygsbits osv. i enlighet med dessa instruktioner och ta hänsyn till arbetsförhållanden och det arbete som ska utföras.** Om maskinen används för andra arbeten än det är avsett för kan det resultera i farliga situationer.
- **Håll handtagen och greppytorna torra, rena och fria från olja och fett.** Håll handtag och greppytor förhindrar säker hantering och kontroll av maskinen vid oväntade situationer.

ANVÄNDNING OCH SKÖTSEL AV BATTERIMASKINEN

- **Ladda endast med den laddare som rekommenderas av tillverkaren.** En laddare som är lämplig för en typ av batteripaket kan skapa en risk för brand när den används med ett annat batteripaket.
- **Använd endast maskiner med specifikt designade batteripaket.** Användning av andra batteripaket kan medföra risk för personskador och eld.
- **När batteripaketet inte används, håll det borta från metallobjekt som t.ex. pappersgem, mynt, nycklar, spikar, skruvar och andra små metallobjekt som kan bilda en anslutning från en batterikontakt till den andra.** Kortslutning av batteriets terminaler kan orsaka brännskador eller en brand.
- **Under olämpliga förhållanden kan vätska spruta ut från batteriet. Undvik kontakt. Vid oavsiktlig**

kontakt, spola med vatten. Om vätskan kommer i kontakt med ögonen, sök också läkarhjälp. Vätska som sprutar ur batteriet kan orsaka sveda och brännskador.

- **Använd inte ett batteripaket eller maskin som skadats eller modifierats.** Skadade eller modifierade batterier kan leda till oförutsägbart uppträdande som leder till brand, explosion eller risk för personskador.
- **Utsätt inte batteripaketet eller maskinen för eld eller extrema temperaturer.** Exponering av eld eller temperaturer över 130 °C kan orsaka explosion.
- **Följ alla laddningsinstruktioner och ladda inte batteripaketet eller maskinen utanför det temperaturområde som anges i instruktionerna.** Felaktig laddning eller vid temperaturer utanför angivet temperaturområde kan skada batteriet och ökar risken för brand.

SERVICE

- **Lämna in din maskin för service hos en kvalificerad servicetekniker som endast använder identiska utbytesdelar.** Det säkerställer att maskinens säkerhet bibehålls.
- **Utför aldrig service på skadade batteripaket.** Service av batteripaket bör endast utföras av tillverkaren eller auktoriserade serviceverkstäder.

SÄKERHETSVARNINGAR FÖR LÖVBLÅS/ DAMMSUGARE

- **Undvik att använda maskinen under dåliga väderförhållanden, i synnerhet när det är risk för åska.** Det minskar risken att bli träffad av blixten.
- **Kontrollera regelbundet skräppupsamlaren efter slitage eller försämringar.** En sliten eller skadad skräpsamlare kan öka risken för personskador.
- **Använd skyddsglasögon och hörselskydd.** Ändamålsenlig skyddsutrustning minskar risken för personskador.
- **Använd alltid halkfria och skyddande skor när du använder maskinen. Använd inte verktyget om du är barfota eller har öppna sandaler.** Detta minskar risken för skador på fötterna.
- **Använd inte löst sittande kläder eller föremål som t.ex. halsdukar, snören, kedjor, band osv. eftersom de kan sugas in i luftventilerna.** Bind tillbaka eller täck över långt hår så att det inte dras in i luftintagen. Om något av dessa föremål dras in i luftintagen kan det öka risken för personskador.
- **Håll kringstående borta när du använder maskinen.** Kastat skräp kan öka risken för personskador.

- **Använd inte i dammsugarläge utan skräpsamlaren på plats.** Ivägkastade föremål kan öka risken för personskador.
- **Rikta aldrig blåmunstycket mot personer eller husdjur eller mot fönster.** Var extra försiktig när du blåser skräp nära fasta föremål, t.ex. träd, bilar och väggar som kan få skräpet att rikoschettera. Kastade föremål kan orsaka materiella skador och öka risken för personskador.
- **Använd inte maskinen för att suga upp eller blåsa något som brinner eller ryker, t.ex. cigaretter, tändstickor eller het aska.** Dessa antändningskällor kan öka risken för brand.
- **Dammsug inte vatten eller andra vätskor eller sänk ner någon del av maskinen i vätska.** Vatten som kommer in i maskinen kan öka risken för elektriska stötar.
- **Dammsug inte stenar, grus, metall eller trasigt glas.** Fläkthjulet kan skadas och kan öka risken för personskador.
- **Rör inte fläkten när den fortfarande är i rörelse.** Stäng av maskinen och vänta tills fläkten stannat innan du tar bort någon del som kan ge åtkomst till delar. Detta minskar risken för skador från rörliga delar.
- **Kontrollera att strömbrytaren är fränslagen när du rensar fastklämt material eller utför service på maskinen.** Övåntad start av maskinen när du tar bort material som fastnat eller vid service kan leda till allvarliga personskador.

LÄS IGENOM ALLA INSTRUKTIONER INNAN DENNA PRODUKT ANVÄNDS!

UTBILDNING

- **Låt inte följande använda maskinen: Barn eller personer med nedsatt fysisk, sensorisk eller mental förmåga eller personer som saknar erfarenhet eller kunskap eller är obekanta med dessa instruktioner.**
- **Operatören eller användaren är ansvarig för olyckor eller faror som uppstår för andra personer eller deras egendom.**

FÖRBEREDELSE

- **Maskinen kan användas vid regn eller blöta förhållanden. Torka maskinen efter avslutat arbete.**
- **Före användning, kontrollera batterierna eller batteripaketet efter skada.** Använd inte apparaten om batterierna eller batteripaketet är skadat.

DRIFT

- **Maskinen kan användas vid regn eller blöta förhållanden. Torka maskinen efter avslutat arbete.**
- **Koppla ur batterierna eller batteripacken:**
 1. När du lämnar maskinen;
 2. Före en blockering åtgärdas;
 3. Före kontroller, rensning eller arbete på apparaten;
 4. Om apparaten börjar vibrera på ett onormalt sätt.
- **Se alltid till att du är stadig på foten i slänter.**
- **Gå, spring aldrig.**
- **Hålla alla luftintag fria från skräp.**
- **Du rekommenderas att endast använda maskinen under dagtid - inte tidigt på morgon eller sent på kvällen då det kan störa andra.**
- **Du rekommenderas att fukta ytorna något under dammiga förhållanden eller använda tillbehör för fuktning.**

⚠ VARNING: Varning för roterande delar!

- **Använd det långa munstycket för full blåsning så att luftströmmen arbetar nära marken.**
- **Använd inte maskinen nära öppna fönster osv.**

UNDERHÅLL OCH FÖRVARING

- **Se till att alla muttrar, bultar och skruvar är ordentligt åtdragna för att säkerställa att apparaten är i ett säkert skick.**
- **Byt ut slitna eller skadade delar.**
- **Använd endast äkta utbytesdelar och tillbehör.**
- **Förvara endast apparaten på en torr plats.**

⚠ VARNING: För att minska risken för brand, elektriska stötar eller personskador:

VIKTIGT

LÄS IGENOM NOGA FÖRE ANVÄNDNING.

SPARA FÖR FRAMTIDA REFERENS

- **Låt inte maskinen användas som leksak. Särskild uppmärksamhet krävs när den används av eller i närheten av barn.**
- **Om maskinen inte fungerar som den ska, har tappats i marken, skadats eller tappats i vatten, lämna in den hos ett servicecenter.**

SE

- För inte in något föremål i öppningarna. Använd inte med någon öppning blockerad; håll öppningarna fri från damm, ludd, hår och övrigt material som kan minska luftflödet.
- Var extra försiktig vid rengöring på trappor.
- Lämna inte maskinen obevakad när batterikontakten är ansluten. Ta ut batteriet från fläkten när den inte används och före service.
- Hantera inte laddaren, inklusive dess laddningskontakt och batterikontakter med våta händer.
- Ladda inte batteripaketet utomhus.

⚠ VARNING:

SE

- Batteripaketet måste tas ur apparaten innan det skrotas.
- Batteriet måste kasseras på ett säkert sätt.
- **DU FÅR INTE** rensa blockeringar i enheten utan att först ta ut batteriet.
- **Håll fläkten och dess handtag torrt, rent och fritt från olja och fett.** Använd alltid en ren trasa vid rengöring. Använd aldrig bromsvätska, bensin, petroleumbaserade produkter eller starkt lösningsmedel för att rengöra fläkten. Följ denna regel för att minska risken för tappad kontroll och försämring av plasthöljet.
- **Batterier kan explodera i närvaron av en antändningskälla, t.ex. en liten låga.** För att minska risken för allvarliga personskador, använd aldrig en trådlös produkt i närvaron av en öppen eldslåga. Ett exploderande batteri kan slunga iväg skräp och kemikalier. Om du får det på dig ska du omedelbart skölja med vatten.
- **Kör aldrig enheten utan lämplig utrustning monterad.** Se alltid till att blåsroret är monterat.
- **Använd aldrig maskinen i närheten av bränder eller het aska.** Om den används i närheten av bränder eller aska kan det sprida elden och resultera i allvarliga personskador och/eller skada på egendom.
- **Använd aldrig maskinen för att sprida kemikalier, gödselmedel eller andra giftiga ämnen.** Om dessa ämnen sprids kan det resultera i allvarliga personskador för operatören eller andra i närheten.
- **Spara dessa instruktioner.** Läs igenom dem regelbundet och använd dem för att instruera andra som kan komma att använda denna maskin. Om du lånar ut denna maskin till någon annan, se även till att låna ut dessa instruktioner för att förhindra att

produkten används felaktigt eller orsakar eventuella personskador.

SPARA DESSA INSTRUKTIONER!

SPECIFIKATIONER

Märkspänning	56 V ---	
Lövbås	Maximal luftvolym	850 m ³ /h
	Maximal lufthastighet	64 m/s (med endast blåsror)
		93 m/s (med spetsigt munstycke)
Maximal blåsstyrka	15 N	
Uppsamlingspåsens kapacitet	40 liter	
Max. Strimlingshastighet	16 : 1	
Vikt (utan batteripaket och munstycke)	5,8 kg (dammsugning) 4,2 kg (lövbås)	
Rekommenderad drifttemperatur	-15°C-40°C	
Rekommenderad förvaringstemperatur	-20°C-70°C	
Rekommenderad laddningstemperatur	5°C-40°C	
Uppmätt ljudeffektnivå L _{WA}	100 dB(A) K=1,9 dB(A)	
Ljudtrycksnivå vid arbetspositionen L _{PA}	88 dB(A) K=3 dB(A)	
Garanterad ljudeffektnivå L _{WA} (enligt 2000/14/EG)	102 dB(A)	
Vibration a _h	Max. 1,80 m/s ² K= 1,5 m/s ²	

- Det deklarerade totala vibrationsvärdet har uppmätts i enlighet med en standardtestmetod och kan användas för att jämföra ett verktyg med ett annat.
- Det deklarerade totala vibrationsvärdet kan också användas i en preliminär utvärdering av exponeringen.

UPPMÄRKSAMMA: Vibrationsutstrålningen under verklig användning av elverktyg kan skilja sig från det deklarerade värdet i vilken verktyget används. För att skydda användaren skall skyddshandskar och hörselskydd användas under faktiska användningsförhållandet.

FÖRPACKNINGSLISTA (BILD A1)

BESKRIVNING

KÄNN DIN LÖVDAMMSUGARE (bild A 1)

1. Dammsugarmunstycke
2. Dammsugarrör
3. Bärhandtag för dammsugarenhet
4. Luftintagsgaller
5. Främre handtag
6. Batterilåsknapp
7. Hastighet/låsratt
8. Axelremsögla
9. Huvudhandtag
10. Avtryckare för lufthastighet
11. Lövpåse
12. Axelrem
13. Elektriska kontakter
14. Spärrhake
15. Blåsrör
16. Spetsigt munstycke

MONTERING

⚠ VARNING: Om någon del är skadad eller saknas skall inte denna produkt användas innan delarna ersatts. Användning av denna produkt om den är skadad eller saknar delar kan resultera i allvarliga personskador.

⚠ VARNING: Försök inte att modifiera denna produkt eller skapa tillbehör som inte rekommenderas för användning med denna produkt. Alla sådana ändringar eller modifieringar är missbruk och kan resultera i allvarliga situationer som kan leda till allvarliga personskador.

⚠ VARNING: För att förhindra oavsiktlig start som kan orsaka allvarliga personskador skall alltid batteripaketet tas bort från verktyget innan delar monteras.

UPPMÄRKSAMMA: Maskinen kan inte startas förrän blåsröret eller dammsugarenheten och lövpåsen är helt och korrekt monterade.

MONTERA/TA BORT BLÅSRÖRET

Montering (bild B1 och B2)

Rikta in skåran och tryck in röret på blåshöljet tills blåsrörets låsspak hakar fast.

B-1	Låsspak för blåsrör
-----	---------------------

Borttagning (bild B3)

Tryck på blåslåsspaken för att lossa spärren och ta sedan bort röret.

MONTERING/BORTTAGNING AV LÖVBLÅSARENS SPETSIGA MUNSTYCKE

Montering (bild C1 och C2)

Rikta in skåran på det spetsiga munstycket med rörknoppen och tryck in munstycket i röret tills det klickar på plats.

Borttagning (bild C3)

Tryck in och håll ner munstyckets låsknapp för att öppna spärren och dra sedan munstycket rakt ut från lövblåsaaren.

MONTERING/AVLÄGSNANDE AV DAMMSUGARENHETEN

För att montera dammsugarmunstycket (bild D)

UPPMÄRKSAMMA: När dammsugarmunstycket och dammsugarröret först ansluts blir de en dammsugarenhet som inte kan tas isär.

Rikta in spåret och tryck munstycket på dammsugarröret tills dammsugarmunstyckets låsknapp låses på plats.

Så här monterar du dammsugarenheten

1. Tryck på dammsugarrörets låsspak för att lossa luftintagsgallret och öppna sedan gallret (bild E1 och E2).

E-1	Dammsugarrörets låsspak
-----	-------------------------

2. Rikta in de två upphöjda fyrkantiga hörnen på dammsugarenheten med de två försänkta fyrkantiga spårerna vid luftinloppet som visas i bild E3 för att engagera monteringen.

SE

3. Pressa dammsugarenheten mot luftintaget tills dammsugarrörets låsspak låses (bild E4).
4. Pressa gallret vid luftintaget mot dammsugarenheten (bild E5).

För att montera lövpåsen (bild F)

1. Rikta in spåret och tryck in lövpåsens kontakt på dammsugarhuset tills lövpåsens låsspak hakar fast.

F-1	påsanslutning	F-3	Ögla till lövpåse
F-2	Låsspak för lövpåse		

2. Häng ögla till lövpåsen på kroken på dammsugarenheten som visas i bild F.

För att ta bort och tömma lövpåsen (bild G1)

1. Ta bort ögla till lövpåsen från kroken på dammsugarenheten.
2. Tryck på lövpåsens låsspak för att lossa spärren och ta sedan bort påsen.
3. Öppna dragkedjan för att tömma lövpåsen.

G-1	Dragkedja
-----	-----------

Ta bort dammsugarenheten (bild G2 och G3)

1. Tryck på dammsugarrörets låsspak för att låsa upp röret.
2. Ta bort dammsugarenheten.
3. Pressa lufttagsgallret mot luftintaget tills låsspaken låses.

MONTERA AXELREMMEN (bild H)

Tryck in karbinhakarna för att öppna dem och fäst dem på axelremshängarna i vardera änden av maskinen.

Du kan lossa remmen på två sätt. Ta av den direkt från axeln eller tryck ner en av karbinhaken för att koppla bort axelremmen från axelremshängaren.

⚠ VARNING: När du bär remmen får ingen annan bärbar enhet stora frigöringen och borttagningen av remmen.

⚠ VARNING: När ett nödläge inträffar, ta omedelbart av den från axeln oavsett vilket läge som remmen är i.

⚠ VARNING: Du bör inte använda en enkel axelrem och dubbel axelrem samtidigt med ryggsäcksbatteriet.

⚠ VARNING: Använd inte axelrem och BH1000 EGO ryggsäckslänk samtidigt. Detta förhindrar snabb

nödlossning av maskinen, vilket leder till personsador.

DRIFT

⚠ VARNING: Bli inte vårdslös bara för att du är bekant med denna produkt. Kom ihåg att oaksamhet under en bråkdel av en sekund är tillräcklig för att orsaka allvarliga skador.

⚠ VARNING: Använd alltid skyddsglasögon med sidoskydd, samt hörselskydd. Om inte så görs kan det resultera i att föremål kastas in i ögonen och andra möjliga allvarliga skador.

⚠ VARNING: För att förhindra oavsiktlig start som kan orsaka allvarliga personsador skall alltid batteripaketet tas bort från verktyget när delar monteras, inställningar görs, vid rengöring eller när den inte används.

⚠ VARNING: Använd inga andra tillsatser eller tillbehör än de som rekommenderas av tillverkaren av denna produkt. Användning av tillbehör eller tillsatser som inte rekommenderas kan resultera i allvarlig personskada.

Inspektera hela produkten innan varje användning om där finns skador, saknade eller lösa delar såsom skruvar, muttrar, bultar, höljen etc. Dra åt alla fästelement och lock och använd inte denna produkt innan alla saknade eller skadade delar bytts ut.

TILLÄMPNINGAR

Du kan använda denna produkt för de tillämpningar som listas nedan:

- Samla löv, gräsklipp och annat skräp.
- Rensa hårda ytor som t.ex. uppfarter och gångvägar.
- Hålla däck och uppfarter fritt från löv och kottar.

UPPMÄRKSAMMA: Maskinen får enbart användas för det föreskrivna ändamålet. All annan användning betraktas som missbruk.

FÄST/TA LOSS BATTERIPAKETET

Använd endast med EGOs batteripaket och laddare som listas i bild A2.

NOTERA: Ladda batteripaketet fullt före första användning.

Fästa

Rikta in listerna på batteriet med monteringsspåren och tryck sedan ner batteripaketet tills du hör ett "klick" (bild I1).

Ta loss (bild I2)

Tryck in batterilåsknappen och dra sedan ut batteripaketet (bild I2).

⚠ VARNING: Var alltid uppmärksam vart du har dina fötter, barn eller husdjur när du trycker in frigöringsknappen för batteriet. Allvarliga personskador kan inträffa om batteripaketet tappas. Ta ALDRIG ut batteripaketet när du är på en hög plats.

TARTA/STOPPA MASKINEN

Endast avtryckare för lufthastighet

1. Tryck in avtryckaren för lufthastighet för att starta maskinen.
2. Lufthastigheten för lövblåsaren kontrolleras med den variabla hastighetsavtryckaren. Mer tryck på avtryckarens resulterar i högre blåshastighet, mindre tryck resulterar i lägre blåshastighet. Ställ in hastigheten så den passar uppgiften.
3. Släpp upp avtryckaren för lufthastighet för att stänga av maskinen.

Endast hastighet/låsraatt

Maskinen kan låsas i valfri hastighet med hastighets-/låsratten.

1. Vrid hastighets-/låsratten mot den närliggande axelremshängaren för att starta maskinen. Lufthastigheten kommer att öka när rattens vrids tills den når maximal hastighet (MAX).
2. För att minska lufthastigheten vrid hastighet/låsratten mot motsatt sida.
3. Fortsätt att vrida hastighets-/låsratten till avstängd position (0) för att stoppa maskinen.

UPPMÄRKSAMMA: Om hastighet/låsratten inte vrids tillbaka till avstängd position innan batteriet tas bort kommer lövblåsaren inte att starta när ett fulladdat batteri sätts i. Det är en skyddsfunktion som hjälper till att förhindra oavsiktlig start. Tryck på avtryckaren för lufthastighet för att avaktivera skyddet och starta lövblåsaren.

TIPS VID ANVÄNDNING AV LÖVBLÅSAREN (bild K)

För att använda maskinen som fläkt, följ instruktionerna i avsnittet **MONTERING** för att installera dammsugarenheten.

- För att inte sprida ut skräpet, blås runt de yttre kanterna av skräphögen. Blås aldrig mitt i skräphögen.
- För att minska ljudnivåerna, begränsa antalet delar som utrustningen använder samtidigt.

- Använd krattor och sopborstar för att lossa på skräpet före lövblåsaren används. I dammiga förhållanden, fukta ytan något när vatten finns tillgängligt.
- Spara vatten genom att använda lövblåsare istället för vattenslangar på gräsmattor och trädgårdar, inklusive områden som t.ex. rännor, skärmar, uteplatser, grillar, verandor och trädgårdsland.
- Se upp för barn, husdjur, öppna fönster och nytvättade bilar och blås sedan bort skräpet på ett säkert sätt.
- Plocka upp småskräp efter att du har använt lövblåsaren eller annan utrustning! Kassera skräpet på ett korrekt sätt.

TIPS VID ANVÄNDNING AV DAMMSUGAREN (bild L)

För att använda maskinen som dammsugare, följ instruktionerna i avsnittet **MONTERING** för att installera dammsugarenheten, lövpåsen och axelremmen.

- Kontrollera lövpåsen regelbundet för slitage eller förslitning.
- För att undvika att dammet höjs, stäng lövpåsens dragkedja helt innan du startar maskinen.
- Töm lövpåsen innan den blir full.
- För att förhindra att vatten kommer in i maskinen, använd maskinen för att samla våta löv från marken, men inte från poolen.
- Låt inte plastpåsar, tyg och andra föremål som inte är lätta att bryta och lätt kan trassla in i maskinen.
- Låt inte hårda material, som stora träflis, metaller, glas, småsten etc. sugas in i maskinen.

UNDERHÅLL

⚠ VARNING: Vid service ska enbart identiska utbyteskomponenter användas. Användning av andra delar kan skapa risker eller orsaka produktskador. För att garantera en säker och pålitlig användning måste alla reparationer utföras av en kvalificerad servicetekniker.

⚠ VARNING: För att undvika allvarliga personskador, ta alltid ut batteripaketet ur produkten vid rengöring eller underhåll.

ALLMÄNT UNDERHÅLL

Använd inte lösningsmedel när du rengör plastdelarna. De flesta plaster är känsliga för skador från olika typer av kommersiella lösningsmedel och kan skadas av dess användning. Använd rena trasor för att ta bort smuts, damm, olja, fett osv.

⚠ VARNING: Låt aldrig bromsvätska, bensin,

SE

petroleumbaserade produkter, penetrerande oljor etc. komma i kontakt med plastdelar. Kemikalier kan skada, försvaga eller förstöra plast, vilket kan resultera i allvarliga personskador.

FÖRVARING

- Ta bort batteripaketet från maskinen.
- Ta bort allt främmande material från luftintagen på maskinen.
- Förvara i ett slutet utrymme som är utom räckhåll för barn. Håll den borta från frätande medel som t.ex. trädgårdskemikalier och vägsalt.

SE

Skydda miljön



Kasta inte elektrisk utrustning, använt batteri och laddare i hushållssoporna!

Ta denna produkt till en auktoriserad återvinnare och gör den tillgänglig för separat insamling. Elektriska verktyg måste returneras till en miljöanpassad återvinningsanläggning.

FELSÖKNING

PROBLEM	ORSAK	LÖSNING
Lövdammsugning fungerar inte.	<ul style="list-style-type: none"> ■ Ingen elektrisk kontakt mellan lövdammsugaren och batteripaketet. ■ Batteripaketets laddning är slut. ■ Batteripaketet eller lövblåsaren är för varm. ■ Maskinen är inte helt monterad. 	<ul style="list-style-type: none"> ■ Ta bort batteripaketet, kontrollera kontakterna och sätt tillbaka batteripaketet. ■ Ladda batteripaketet. ■ Låt batteripaketet och lövdammsugaren svalna tills temperaturen sjunker under 67 °C. ■ Följ instruktionerna i avsnittet Montering för att montera maskinen helt och korrekt.
The air velocity decreases significantly.	<ul style="list-style-type: none"> ■ Luftintaget är blockerat av skräp. ■ Kraftigt slitage på motorfläkten. ■ För mycket skräp inuti lövpåsen. 	<ul style="list-style-type: none"> ■ Ta bort batterierna, rensa skräpet. ■ Kontakta ett EGO servicecenter för reparation. ■ Töm lövpåsen enligt instruktionerna i kapitlet Ta bort och tömma lövpåsen i avsnittet MONTERING.

SE

GARANTI

EGO GARANTIPOLICY

Besök webbsidan egopowerplus.eu för fullständiga villkor för EGO garantipolicy.

LUE KAIKKI OHJEET!



LUE KÄYTTÖOPAS

VAROITUS: Pätevän huoltoteknikon tulee suorittaa kaikki korjaukset, jotta voidaan taata tuotteen turvallinen ja luotettava käyttö.

VAROITUS: Lue ja ymmärrä tämän käyttöoppaan kaikki turvallisuusohjeet, mukaan lukien turvallisuusvaroitussymbolit, kuten "VAARA", "VAROITUS" ja "HUOMIO" ennen laitteen käyttämistä. Alla olevien ohjeiden noudattamatta jättäminen saattaa aiheuttaa sähköiskun, tulipalon ja/tai vakavan henkilövahingon.

SÄILYTÄ KAIKKI VAROITUKSET JA OHJEET MYÖHEMPÄÄ KÄYTTÖÄ VARTEN.

TURVALLISUUSYMBOLIT

VAROITUS: Minkä tahansa sähkötyökalun käyttö saattaa aiheuttaa vierasesineiden sinkoutumisen silmiin, mikä voi aiheuttaa vakavia silmävammoja. Käytä aina suojalaseja, joissa on sivusuojat, ja tarvittaessa koko kasvot peittävää suojaa, kun käytät sähkötyökaluja. Silmälasien päällä suosittelemme käytettäväksi suojamaskia, jossa on laaja näkökenttä, tai tavallisia suojalaseja, joissa on sivusuojat.

FI



Turvallisuushälytys



Käyttäjän on luettava ja ymmärrettävä käyttöopas ennen tämän laitteen käyttöä loukkaantumisvaaran vähentämiseksi.



Käytä aina kuulosuojaimia ja silmäsuojaimia, kun käytät tätä tuotetta.



Pidä kaikki sivulliset ainakin 15 metrin päässä.



Taattu äänitehotaso. Melupäästöt ympäristöön Euroopan yhteisen direktiivin mukaiset.



Tämä tuote vastaa sovellettavia EU-direktiivejä.



Vanhoja sähkölaitteita ei saa hävittää kotilousjätteen mukana. Vie laite valtuutettuun kierrätyslaitokseen.



Tämä tuote vastaa sovellettavaa UK-lainsäädäntöä.



Tasavirta

IPX4

Suojaus roiskevedeltä

V

Jännite

./min

per minuutti

mm

Millimetri

n_0

Tyhjäkäyntinopeus

YLEISET KONEEN TURVALLISUUSVAROITUKSET

VAROITUS: LUE KAIKKI TÄMÄN KONEEN MUKANA TULLEET TURVALLISUUSVAROITUKSET, OHJEET, PIIRUSTUKSET JA TEKNISET TIEDOT. Jos kaikkia alla olevia ohjeita ei noudateta, seurauksena saattaa olla sähköisku, tulipalo ja/tai vakava loukkaantuminen.

SÄILYÄ KAIKKI VAROITUKSET JA OHJEET MYÖHEMPÄÄ KÄYTTÖÄ VARTEN.

Varoituksissa termillä "kone" tarkoitetaan verkkovirtakäyttöistä (johdollista) tai akkukäyttöistä (johdotonta) konetta.

TYÖALUEEN TURVALLISUUS

- Pidä työskentelyalue siistinä ja hyvin valaistuna. Sotkuiset tai hämärit alueet aiheuttavat onnettomuuksia.
- Älä käytä koneita räjähdysriskissä ympäristössä, kuten esimerkiksi syttyvien nesteiden, kaasujen tai pölyjen lähellä. Koneet saattavat aiheuttaa kipinöitä, jotka voivat sytyttää pölyn tai höyryt.
- Älä päästä lapsia tai sivullisia lähelle, kun käytät konetta. Häiriötekijät voivat aiheuttaa hallinnan menettämisen.

SÄHKÖTURVALLISUUS

- Koneen pistokkeiden on vastattava pistorasiaa. Älä ikinä muokkaa pistotulppaa millään tavalla. Älä käytä minkäänlaisia sovittipistokkeita maadoitettujen koneiden kanssa. Muokkaamattomat pistokkeet ja niihin sopivat pistorasiat vähentävät sähköiskun vaaraa.
- Vältä koskemasta vartalollasi maadoitettuihin pintoihin, kuten putkiin, lämmityspattereihin, liesiin ja jääkaappeihin. Sähköiskun riski kasvaa, jos kehosi on maadoitettu.
- Älä altista koneita sateelle tai märille olosuhteille. Koneeseen pääsevä vesi lisää sähköiskun vaaraa.
- Älä väärinkäytä johtoa. Älä ikinä käytä johtoa koneen kantamiseen, vetämiseen tai pistokkeen irrottamiseen. Pidä johto poissa tulen, öljyn, terävien reunojen tai liikkuvien osien läheltä. Vahingoittuneet tai sokeutuneet johdot lisäävät sähköiskun vaaraa.
- Kun käytät konetta ulkona, käytä ulkokäyttöön tarkoitettua jatkojohtoa. Ulkokäyttöön tarkoitettujen jatkojohdon käyttö vähentää sähköiskun riskiä.

- Jos et voi välttää sähkötyökoneen käyttöä kosteissa olosuhteissa, käytä vikavirtasuojakytkimellä varustettua pistorasiaa. Vikavirtasuojakytkimen käyttö vähentää sähköiskun riskiä.

HENKILÖKOHTAINEN TURVALLISUUS

- Ole valpas, tarkkaavainen ja käytä maalaisjärkeä, kun käytät konetta. Älä käytä konetta, jos olet väsynyt tai kun olet huumeiden, alkoholin tai lääkityksen vaikutuksen alaisena. Hetkellinenkin huomion herpaantuminen koneita käytettäessä saattaa aiheuttaa vakavan henkilövahingon.
 - Käytä henkilönsuojaimia. Käytä aina silmäsuojaimia. Suojavarusteiden, kuten hengityssuojaimen, luistamattomien turvakengien, suojakypärän tai kuulosuojaimien, käyttö tarvittaessa vähentää loukkaantumisvaaraa.
 - Estä vahingossa käynnistyminen. Varmista, että kytkin on off-asennossa, ennen kuin liität virtalähteen ja/tai akun, nostaat koneen tai kannat sitä. Koneiden kantaminen sormi virtakytkimellä tai virta kytkettyä olevan koneen liittäminen pistorasiaan muodostaa onnettomuusvaaran.
 - Poista kaikki säätöön käytetyt avaimet tai kiintoavaimet ennen kuin käynnistät koneen. Koneen pyörivään osaan jätetty avain tai kiintoavain saattaa aiheuttaa henkilövahingon.
 - Älä kurkottele. Säilytä aina tukeva asento ja hyvä tasapaino. Näin hallitset koneen parhaalla mahdollisella tavalla odottamattomissa tilanteissa.
 - Pukeudu asianmukaisesti. Älä käytä väljiä vaatteita tai koruja. Pidä hiukset ja vaatteet etäällä liikkuvista osista. Väljät vaatteet, korut tai pitkät hiukset voivat tarttua kiinni liikkuviin osiin.
 - Jos laitteissa on liitännät pölynpoistolaitteille ja keräilylaitteille, varmista, että ne on liitetty ja niitä käytetään oikein. Pölynpoistolaitteiden käyttö voi vähentää pölyyn liittyviä vaaroja.
 - Älä anna koneiden tuuttuuden toistuvan käytön takia tehdä sinua liian itsevarmaksi, äläkä jätä koneiden turvallisuusohjeita noudattamatta. Huolimaton toiminta voi aiheuttaa vakavan henkilövahingon sekunnin murto-osassa.
- ### KONEEN KÄYTTÖ JA HOITO
- Älä pakota konetta. Käytä omaan käyttötarkoitukseesi soveltuvaa konetta. Oikea kone suoriutuu parhaiten ja turvallisimmin tehtävästä sille tarkoitettulla nopeudella.

- **Älä käytä konetta, jos sitä ei saa käynnistettyä ja sammutettua kytkimellä.** Koneen, jota ei voida hallita kytkimellä, käyttö on vaarallista ja se on korjattava.
- **Irrota pistotulppa virtalähteestä ja/tai akku koneesta ennen kuin teet mitään muutoksia, vaihdat apuvälineitä tai laitat koneen varastoon.** Nämä ennaltaehkäisevät turvallisuustoimenpiteet vähentävät koneen vahingossa käynnistymisen riskiä.
- **Säilytä käyttämättömänä oleva kone lasten ulottumattomissa, äläkä anna henkilöiden, jotka eivät tunne konetta tai näitä ohjeita, käyttää konetta.** Koneet ovat vaarallisia kokemattomien käyttäjien käsissä.
- **Pidä koneet ja lisävarusteet kunnossa. Tarkista liikkuvat osat väärän kohdistuksen ja juuttumisen varalta, osat rikkoutumisen varalta ja tarkista, että koneessa ei ole muita ongelmia, jotka saattaisivat vaikuttaa sen toimintaan. Jos kone on vaurioitunut, korjauta se ennen käyttöä.** Monet onnettomuudet johtuvat huonosti huolletuista koneista.
- **Pidä leikkuukoneet terävinä ja puhtaina.** Oikein huolletut leikkuukoneet, joissa on terävät leikkuureunat, eivät todennäköisesti jumiuudu, ja niitä on helpompi hallita.
- **Käytä konetta, lisävarusteita ja koneen teriä ym. näiden ohjeiden mukaisesti ja siten, että otat huomioon käyttöolosuhteet ja tehtävän työn.** Koneen käyttö muuhun kuin sille suunniteltuun tarkoitukseen saattaa aiheuttaa vaaratilanteen.
- **Pidä kahvat ja tartuntapinnat kuivina, puhtaina, öljyttöminä ja rasvattomina.** Liukkaat kahvat ja tartuntapinnat eivät mahdollista koneen turvallista käsittelyä ja hallintaa odottamattomissa tilanteissa.

AKKUKÄYTTÖISEN KONEEN KÄYTTÖ JA HOITO

- **Lataa vain valmistajan määrittelemällä laturilla.** Laturi, joka sopii yhdyntyyppiselle akulle voi aiheuttaa tulipalovaaran, jos sitä käytetään toisenlaisen akun kanssa.
- **Käytä koneissa vain erityisesti niihin tarkoitettuja akkuja.** Muunlaisten akkujen käyttö saattaa aiheuttaa henkilövahingon tai tulipalon vaaran.
- **Kun akku ei ole käytössä, pidä se erillään metalliesineistä, kuten paperiliittimet, kolikot, avaimet, naulat, ruuvit ja muut pienet metalliesineet, jotka voivat yhdistää akun navat toisiinsa.** Akun napojen oikosulku voi aiheuttaa palovammoja tai tulipalon.
- **Akusta voi valua nestettä väärästä käytöstä johtuen. Vältä kosketusta nesteeseen. Jos kosket**

neesteeseen vahingossa, huuhtelee vedellä. Jos nestettä pääsee silmiin, hakeudu lääkärin hoitoon. Akusta valuva neste voi aiheuttaa ärsytystä tai palovammoja.

- **Älä käytä akkuja tai konetta, joka on vaurioitunut tai jota on muutettu.** Vaurioituneet tai muutetut akut voivat käyttäytyä arvaamattomasti ja aiheuttaa tulipalon, räjähdysen tai henkilövahingon vaaran.
- **Älä altista akkuja tai konetta tulelle tai äärimmäisille lämpötiloille.** Altistaminen yli 130 °C:n lämpötilalle voi aiheuttaa räjähdysen.
- **Noudata kaikkia latausohjeita, äläkä lataa akkuja tai konetta lämpötilassa, joka ei ole ohjeissa ilmoitetun lämpötila-alueen sisällä.** Virheellinen lataaminen tai lataaminen ilmoitetun lämpötila-alueen ulkopuolella olevassa lämpötilassa voi vaurioittaa akkuja ja lisätä palovaaraa.

HUOLTO

- **Huollata kone asiantuntevalta korjaajalla, joka käyttää vain identtisiä varaosia.** Tällä varmistetaan, että koneen turvallisuus säilyy.
- **Älä koskaan huolla vaurioituneita akkuja.** Akkujen huollon saa tehdä vain valmistaja tai sen valtuuttamat huoltoilikkeet.

PUHALTIMEN/IMURIN TURVALLISUUSVAROITUKSET

- **Vältä koneen käyttämistä huonoissa sääolosuhteissa, etenkin jos on salamointivaara.** Tämä vähentää salamankun vaaraa.
- **Tarkista irtoaineksen kerääjä säännöllisesti kulumien tai heikkenemisen varalta.** Kulunut tai vaurioitunut roskien kerääjä voi lisätä henkilövahinkojen vaaraa.
- **Käytä suojalaseja ja kuulosuojaimia.** Riittävät suojavarusteet vähentävät henkilövahinkojen vaaraa.
- **Käytä konetta käyttäessäsi aina luistamattomia suojajalkineita. Älä käytä konetta paljain jaloin tai käyttäen avosandaaleja.** Tämä vähentää jalkojen loukkaantumisvaaraa.
- **Älä käytä väljiä vaatteita tai esineitä, kuten huiveja, naruja, ketjuja, solmioita ym., jotka voivat joutua ilmanottoaukkoihin. Älä käytä hiukset taakse tai peitä ne, jotta ne eivät joudu ilmanottoaukkoihin. Jos jokin näistä esineistä joutuu ilmanottoaukkoihin, se voi lisätä henkilövahinkojen vaaraa.**
- **Pidä sivulliset etäällä konetta käyttäessäsi.** Sinkoutuvat roskat voivat lisätä henkilövahinkojen vaaraa.

- **Älä käytä imurtilassa ilman roskien kerääjää paikallaan.** Sinkoutuvat esineet voivat lisätä henkilövahinkojen vaaraa.
- **Älä koskaan osoita puhaltimen suutinta ihmisten tai lemmikkieläinten tai ikkunoiden suuntaan.** Ole erityisen varovainen, kun puhallat roskia kiinteiden esineiden, kuten puiden, autojen ja seinien, lähellä. Tämä voi aiheuttaa roskien sinkoutumisen. Sinkoutuvat esineet voivat vahingoittaa omaisuutta ja lisätä henkilövahinkojen vaaraa.
- **Älä poimi tai puhalla koneella mitään palavaa tai savuavaa, kuten savukkeita, tulitikkuja tai kuumaa tuhkaa.** Nämä syttymislähteet voivat lisätä tulipalovaaraa.
- **Älä ime vettä tai muita nesteitä, äläkä upota mitään koneen osaa nesteeseen.** Koneeseen pääsevä vesi voi lisätä sähköiskun vaaraa.
- **Älä ime kiviä, soraa, metallia tai rikkoutunutta lasia.** Puhaltimen pyörä voi vaurioitua ja lisätä henkilövahinkojen vaaraa.
- **Älä koske tuulettimeen, kun se on vielä liikkeessä.** Kytke kone pois päältä ja odota, että tuuletin pysähtyy, ennen kuin irrotat mitään osaa, joka voi antaa pääsyn tuulettimeen. Tämä vähentää liikkuvien osien aiheuttamaa loukkaantumisvaaraa.
- **Kun tyhjennät juuttunutta materiaalia tai huollat konetta, varmista, että virtakytkin on pois päältä.** Odottamaton koneen käynnistyminen juuttunutta materiaalia poistettaessa tai huollon aikana voi aiheuttaa vakavan henkilövahingon.

LUE KAIKKI OHJEET ENNEN TÄMÄN TUOTTEEN KÄYTTÖÄ!

OPETTELU

- **Älä anna lasten tai henkilöiden, joilla on alentunut fyysinen, aistillinen tai henkinen toimintakyky tai joilta puuttuu kokemusta ja tietoa tai jotka eivät tunne näitä ohjeita, käyttää laitetta.**
- **Käyttäjän on vastuussa onnettomuuksista tai vaaratilanteista, jotka tapahtuvat muille ihmisille tai heidän omaisuudelleen.**

VALMISTELU

- **Konetta voi käyttää sateessa tai kosteissa olosuhteissa.** Kuivaa kone työskentelyn jälkeen.
- **Tarkista paristot tai akku vaurioiden varalta ennen käyttöä.** Älä käytä laitetta, jos paristot tai akku ovat vahingoittuneet.

KÄYTTÖ

- **Konetta voi käyttää sateessa tai kosteissa olosuhteissa.** Kuivaa kone työskentelyn jälkeen.
- **Irrota paristot tai akku:**
 1. Aina kun jätät laitteen johonkin;
 2. Ennen kuin puhdistat tukoksen;
 3. Ennen kuin tarkistat tai puhdistat laitteen tai teet sille jotain muuta;
 4. Jos laite alkaa väristä epänormaalisti.
- **Varmista, että seisot tukevasti rinteissä.**
- **Kävele, älä juokse.**
- **Huolehdi, että viilennykseen käytettävien ilmanottoaukkojen edessä ei ole irtaainesta.**
- **Suosittellemme laitteen käyttöä vain hyväksyttävissä aikoina – aikaisin aamulla tai myöhään illalla ihmiset saattavat häiriintyä.**
- **Suosittellemme pintojen vähäistä kostuttamista tomuisissa ympäristöissä, tai voit käyttää sumutinlisäosaa.**

VAROITUS: Pyörivien osien vaara!

- **Käytä koneen koko suutinjatketta, niin ilmavirtaus toimii lähellä maata.**
- **Älä käytä laitetta avointen ikkunoiden ym. lähellä.**

YLLÄPITO JA VARASTOINTI

- **Varmista, että kaikki mutterit, pultit ja ruuvit ovat tiukasti kiinni, jotta laite on turvallinen käyttää.**
- **Korvaa kuluneet tai vahingoittuneet osat.**
- **Käytä vain virallisia varaosia ja lisävarusteita.**
- **Säilytä laite kuivassa paikassa.**

VAROITUS: Tulipalo-, sähköisku- tai loukkaantumisvaaran vähentämiseksi:

TÄRKEÄÄ

LUE KÄYTTÖOHJEET ENNEN KÄYTTÖÄ.

SÄILYTÄ MYÖHEMPÄÄ TARVETTA VARTEN.

- **Älä salli koneen käyttämisestä leikkikaluna.** Ole tarkkaavainen, jos lapset käyttävät laitetta tai laitetta käytetään lasten lähellä.
- **Jos kone ei toimi kuten sen pitäisi tai se on pudonnut, vahingoittunut tai pudonnut veteen, palauta se huoltooliikkeeseen.**

- Älä laita esineitä mihinkään aukkoihin. Älä käytä, jos jokin aukko on tukossa; pidä aukot puhtaina tomusta, nukasta, hiuksista tai muusta, joka voi aiheuttaa ilmanvirtauksen vähenemistä.
- Ole erityisen varovainen, kun puhdistut portaita.
- Älä jätä konetta ilman valvontaa, jos akun pistotulppa on liitetty. Poista akku, kun konetta ei käytetä ja ennen huoltoa.
- Älä käsittele laturia, mukaan lukien laturin pistotulppa, tai latausnapoja märin käsin.
- Älä lataa akkua ulkona.

VAROITUS:

- Akku tulee poistaa laitteesta ennen laitteen hävittämistä.
- Akku tulee hävittää turvallisesti.

FI

- **ÄLÄ** yritä poistaa tukoksia laitteesta ilman, että olet ensin irrotanut akun.
- **Pidä kone ja sen kahva kuivina, puhtaina, öljyttöminä ja rasvattomina.** Käytä aina puhdasta liinaa puhdistukseen. Älä käytä jarrunesteitä, bensiiniä, öljypohjaisia tuotteita tai voimakkaita liuottimia koneen puhdistamisessa. Tämän säännön noudattaminen vähentää hallinnan menetystä ja kuorten muovin rapistumista.
- **Akut saattavat räjähtää, jos läsnä on sytytyslähde, kuten sytytysliekki.** Vakavan henkilövamman välttämiseksi langattomia ei tule käyttää avotulen lähellä. Räjähtänyt akku saattaa singota irto-osia ja kemikaaleja ympärilleen. Altistumisen tapahtuessa huuhtele välittömästi vedellä.
- **Älä käytä laitetta ilman, että siihen on kiinnitetty oikeat varusteet.** Varmista aina, että koneen putki on asennettu.
- **Älä koskaan käytä konetta lähellä tulta tai kuumaa tuhkaa.** Käyttö tulen tai tuhkan lähellä saattaa levittää tulipaloja ja aiheuttaa vakavia vammoja ja/tai omaisuusvahinkoja.
- **Älä käytä konetta kemikaalien, lannoitteiden tai muiden myrkyllisten aineiden levitykseen.** Näiden aineiden levitys saattaa aiheuttaa vakavia vammoja käyttäjälle tai sivullisille.
- **Säilytä nämä ohjeet.** Lue ohjeet säännöllisesti ja käytä niitä muiden koneen käyttäjien ohjeistamisessa. Jos lainaat tämän koneen jollekulle muulle, lainaa samalla myös nämä ohjeet koneen väärinkäytön tai mahdollisen vamman estämiseksi.

SÄILYTÄ NÄMÄ OHJEET!

TEKNISET TIEDOT

Nimellisjännite	56 V ---	
Puhallin	Suurin ilmamäärä	850 m ³ /h
	Suurin ilmannoisuus	64 m/s (pelkällä puhallinputkella) 93 m/s (kapenevan suuttimen kanssa)
	Suurin puhallusteho	15 N
Lehtipussin tilavuus	40 liter	
Maks. Silppuamisen nopeus	16 : 1	
Paino (ilman akkua ja suutinta)	5,8 kg (imu) 4,2 kg (puhallin)	
Suosittelut käyttölämpötila	-15°C-40°C	
Suosittelut säilytyslämpötila	-20°C-70°C	
Suosittelu latauslämpötila	5°C-40°C	
Mitattu äänen tehotaso L _{WA}	100 dB(A) K=1,9 dB(A)	
Äänenpaineen taso käyttäjän kohdalla L _{PA}	88 dB(A) K=3 dB(A)	
Taattu äänen tehotaso L _{WA} (mitattu 2000/14/EY mukaisesti)	102 dB(A)	
Tärinä a _h	Maks. 1,80 m/s ² K= 1,5 m/s ²	

- Ilmoitettu tärinän kokonaispäästöarvo on mitattu vakiotestausmenetelmän mukaisesti, ja sen avulla voidaan vertailla työkaluja keskenään.
- Ilmoitettua tärinän kokonaispäästöarvoa voidaan käyttää myös altistumisen alustavaan arviointiin.

HUOMAUTUS: Työkalun käytön aikana mitattu todellinen tärinäpäästöarvo voi poiketa ilmoitetusta kokonaispäästöarvosta työkalun käyttötavasta johtuen; käyttäjän suojaamiseksi tulee käyttää käsiineitä ja kuulosuojaimia varsinaisissa käyttöolosuhteissa.

PAKKAUSLUETTELO (KUVA A1)

KUVAUS

TUNNE LEHTI-IMURISI (kuva A1)

1. Imusuutin
2. Imuputki
3. Kantokahva imurikokoonpanoon
4. Ilmanottoritilä
5. Etukahva
6. Akun vapautuspainike
7. Nopeus-/lukituspyörä
8. Olkahihnan ripustin
9. Pääkahva
10. Ilman nopeusliipaisin
11. Lehtipussi
12. Olkahihna
13. Sähköliittännät
14. Salpa
15. Puhaltimen putki
16. Kapeneva suutin

KOKOAMINEN

VAROITUS: Jos jokin osa on vahingoittunut tai puuttuu, älä käytä tuotetta ennen kuin osat on vaihdettu. Tuotteen käyttö voittuneilla tai puuttuvilla osilla voi aiheuttaa vakavan henkilövahingon.

VAROITUS: Älä yritä muuttaa tätä tuotetta tai käyttää siinä lisävarusteita, joita ei ole suunniteltu käytettäväksi tämän tuotteen kanssa. Mikä tahansa tällainen muokkaus tai muutos on vääriinkäyttö ja saattaa aiheuttaa vaarallisen tilan, joka saattaa johtaa vakavaan henkilövahingon.

VAROITUS: Poista akku koneesta aina, kun kokoat osia. Näin varmistat, ettei kone käynnisty vahingossa ja aiheuta vakavia henkilövahinkoja.

HUOMAUTUS: Konetta ei voida käynnistää ennen kuin puhallinputki tai imukokoonpano ja lehtipussi on koottu kokonaan ja oikein.

PUHALTIMEN PUTKEN KIINNITTÄMINEN/ IRROTTAMINEN

Kiinnittäminen (kuvat B1 ja B2)

Kohdista ura ja työnnä putkea puhaltimen koteloon, kunnes puhaltimen putken lukitusvipu lukittuu.

B-1	Puhaltimen putken lukitusvipu
-----	-------------------------------

Irrottaminen (kuva B3)

Paina puhaltimen lukitusvipua salvan irrottamiseksi ja irrota sitten putki.

PUHALTIMEN KAPENEVAN SUUTTIMEN KIINNITTÄMINEN/IRROTTAMINEN

Kiinnittäminen (kuvat C1 ja C2)

Kohdista kapenevan/levittävän suuttimen ura putken nuppiin ja paina suutinta putkeen, kunnes se napsahtaa paikalleen.

Irrottaminen (kuva C3)

Paina suuttimen vapautuspainiketta ja pidä se painettuna salvan vapauttamiseksi, vedä sitten suutin suoraan irti puhaltimen putkesta.

IMUKOKOONPANOON KIINNITTÄMINEN/ IRROTTAMINEN

Imusuuttimen kiinnittäminen (kuva D)

HUOMAUTUS: Kun imusuutin ja imuputki on ensin yhdistetty, niistä tulee yksi imukokoonpano, jota ei voi irrottaa.

Kohdista ura ja työnnä suutin imuputkeen, kunnes imusuuttimen lukituspainike lukittuu paikalleen.

Imukokoonpanon kiinnittäminen

1. Vapauta ilmanottoritilä painamalla imuputken lukitusvipua ja avaa sitten ritilä (kuvat E1 ja E2).

E-1	Imuputken lukitusvipu
-----	-----------------------

2. Kohdista imukokoonpanon kaksi kohotettua neliökulmaa ilmanottoaukon kahteen upotettuun neliöuraan kuvan E3 osoittamalla tavalla kokoonpanon kiinnittämiseksi.
3. Paina imukokoonpanoa ilmanottoaukkoa kohti, kunnes imuputken lukitusvipu lukittuu (kuva E4).
4. Paina ilmanottoritilä imukokoonpanoa vasten (kuva E5).

Lehtipussin kiinnittäminen (kuva F)

1. Kohdista ura ja työnnä lehtipussin liitin imukoteloon, kunnes lehtipussin lukitusvipu lukittuu.

F-1	Lehtipussin liitin	F-3	Lehtipussin silmukka
F-2	Lehtipussin lukitusvipu		

- Ripusta lehtipussin silmukka imukokoonpanon koukkuun, kuten on esitetty kuvassa F.

Lehtipussin poistaminen ja tyhjentäminen (kuva G1)

- Irrota lehtipussin silmukka imukokoonpanon koukusta.
- Irrota salpa painamalla lehtipussin lukitusvipua ja poista sitten pussi.
- Avaa vetoketju tyhjentääksesi lehtipussin.

G-1	Vetoketju
-----	-----------

Imukokoonpanon poistaminen (kuvat G2 ja G3)

- Avaa putken lukitus painamalla imuputken lukitusvipua.
- Poista imukokoonpano.
- Paina ilmanottoritiilää ilmanottoaukkoa kohti, kunnes lukitusvipu lukittuu.

FI

OLKAKIHNNAN KIINNITYS (kuva H)

Avaa hihnakarabiini painamalla niitä ja kiinnitä ne koneen kummassakin päässä oleviin olkahihnaripustimiin.

Hihnan voi vapauttaa kahdella tavalla. Irrota se suoraan olaltasi tai paina karabiini alas ja irrota olkahihna olkahihnan silmukasta.

VAROITUS: Hihnaa käytettäessä mikään muu puettava vaate ei saa häiritä hihnan vapauttamista ja irrottamista.

VAROITUS: Jos on hätätilanne, ota hihna olaltasi välittömästi riippumatta hihnan asennosta.

VAROITUS: Älä käytä yhden olan hihnaa ja kahden olan hihnaa samanaikaisesti.

VAROITUS: Älä käytä olkahihnaa ja BH1000 EGO -repun lenkkiä samanaikaisesti. Tämä estää koneen nopean hätävapautuksen, mikä johtaa henkilövahinkoon.

KÄYTTÖ

VAROITUS: Älä anna tämän laitteen tuttuuden tehdä sen käsittelystä huolimattontia. Muista, että sekunnin sadasosanakin huolimattomuus riittää vakavan vamman aiheutumiseen.

VAROITUS: Käytä aina sellaisia suojalaseja, joissa

on sivusuojat, sekä kuulosuojaimia. Tämän ohjeen laiminlyöminen saattaa aiheuttaa esineiden sinkoutumisen silmiin ja mahdollisen vakavan henkilövahingon.

VAROITUS: Poista akku työkalusta aina, kun kokoat osia, teet muutoksia tai puhdistat laitetta tai kun et käytä sitä. Näin varmistat, ettei laite käynnisty vahingossa eikä aiheuta vakavia henkilövahinkoja.

VAROITUS: Älä käytä lisälaitteita tai lisävarusteita, jos tämän tuotteen valmistaja ei ole suositellut niitä. Tällaisten lisävarusteiden tai apuvälineiden käyttö saattaa aiheuttaa vakavia henkilövahinkoja.

Ennen jokaista käyttökertaa tarkista laite kokonaisuudessaan vahingoittuneiden, puuttuvien tai löysin osien varalta (esim. mutterit, pultit, korkit yms.). Kiinnitä kaikki kiinnittimet ja korkit tiukasti äläkä käytä laitetta ennen kuin kaikki puuttuvat tai vahingoittuneet osat on vaihdettu.

KÄYTTÄMINEN

Tätä laitetta voi käyttää seuraavassa mainittuihin tarkoituksiin:

- Lehtien, ruohosilpun ja muiden roskien kerääminen.
- Kovien pintojen, kuten ajoteiden ja jalkakäytävien, puhdistamiseen.
- Tasanteiden ja ajoteiden puhdistaminen lehdistä.

HUOMAUTUS: Koneetta saa käyttää vain sille määritettyyn tarkoitukseen. Kaikki muu käyttö katsotaan väärinkäytöksi.

AKUN LIITTÄMINEN/POISTAMINEN

Käytä vain EGO:n akkuja ja latureita, jotka on luettelulla kuvassa A2.

HUOMAA: Lataa akku täysin ennen ensimmäistä käyttökertaa.

Liittäminen

Aseta akun ulokkeet kiinnitysaukkoihin ja paina akkua alaspäin, kunnes kuulet "naksahduksen" (kuva I1).

Poistaminen (kuva I2)

Paina akun vapautuspainiketta ja vedä akku ulos (kuva I2).

VAROITUS: Huomioi aina missä omat jalkasi, lapset tai lemmikit ovat, kun painat akun vapautuspainiketta. Jos akku putoaa, se voi aiheuttaa vakavan vamman. Älä KOSKAAN poista akkua, jos se on korkealla.

KONEEN KÄYNNISTÄMINEN/PYSÄYTTÄMINEN

Vain ilman nopeusliipaisin

1. Käynnistä kone painamalla ilman nopeusliipaisinta.
2. Koneen ilman nopeutta säädetään portaattomalla nopeusliipaisimella. Painamalla liipaisinta enemmän saat nopeamman ilman nopeuden, painamalla liipaisinta vähemmän saat hitaamman ilman nopeuden. Sääda nopeus tehtävän työn mukaan.
3. Vapauta ilman nopeusliipaisin koneen sammuttamiseksi.

Vain nopeus-/lukituspyörä

Kone voidaan lukita mihin tahansa nopeuteen nopeus/lukituspyörän avulla.

1. Käynnistä kone kääntämällä nopeus/lukituspyörää lähellä olevaa olkahihnaripustinta kohti. Ilman nopeus kasvaa, kun pyörää käännetään, kunnes se saavuttaa maksiminopeuden (MAX).
2. Ilman nopeus vähenee, kun nopeus-/lukituspyörää käännetään vastakkaiselle puolelle.
3. Pysäytät koneen jatkamalla nopeus-/lukituspyörän kääntämistä off-asentoon (O) saakka.

HUOMAUTUS: Jos nopeus-/lukituspyörää ei käännetä off-asentoon ennen akun poistamista, puhallin vaatii täyteen ladatun akun asentamista ennen käynnistymistä. Tämä on suojatoimenpide, joka estää tahattoman käynnistymisen. Poista suojaus painamalla ilman nopeusliipaisinta ja käynnistä puhallin.

VINKKEJÄ PUHALTIMEN KÄYTTÖÖN (kuva K)

Jos haluat käyttää konetta puhaltimena, asenna imukokoonpano noudattamalla **KOKOAMINEN**-osion ohjeita.

- Puhalla irtoaineskan ympäriltä, jotta et levitä irtoainesta ympäröiväsi. Älä ikinä puhalla kasan keskelle.
- Rajoita käytössä olevien sähkölaitteiden määrää, jos äänentaso on alennettava.
- Käytä haravia ja luutia irtoaineksen irrottamiseksi ennen puhaltamista. Kostuta pintoja hieman pölyisissä olosuhteissa, jos vettä on saatavilla.
- Säästä vettä käyttämällä sähköpuhaltimia kasteluletkujen sijaan monissa nurmikko- ja puutarhasovelluksissa, mukaan lukien esim. räystäät, verkko-ovet, terassit, grillit, kuistit ja puutarhat.
- Varo lapsia, lemmikkejä, avoimia ikkunoita tai juuri pestyjä autoja ja pidä huolta, että puhallat irtoaineksen turvallisesti pois.

- Kun olet käyttänyt puhaltimia tai muita laitteita, siivoa jälkesi! Hävitä irtoaines oikeaoppisesti.

VINKKEJÄ IMUN KÄYTTÖÖN (kuva L)

Jos haluat käyttää konetta imurina, asenna imukokoonpano, lehtipussi ja olkahihna noudattamalla **KOKOAMINEN**-osion ohjeita.

- Tarkasta lehtipussi säännöllisesti kulumien tai heikkenemisen varalta.
- Pölyn leviämisen välttämiseksi sulje lehtipussin vetoketju kokonaan ennen koneen käynnistämistä.
- Tyhjennä lehtipussi ennen kuin se täyttyy.
- Jotta vettä ei pääse koneeseen, kerää märät lehdet koneella maasta, mutta ei uima-altaasta.
- Älä päästä koneen sisälle muovipusseja, kangasta ja muita esineitä, joita ei ole helppo rikkoa ja jotka voivat helposti sotkeutua..
- Älä ime koneeseen kovia materiaaleja, kuten isoja hakekappaleita, metallia, lasia, kiviä jne.

FI

HUOLTAMINEN

VAROITUS: Käytä huollon yhteydessä vain identtisiä varaosia. Muiden osien käyttö saattaa aiheuttaa vaaran tai laitteen vaurioitumisen. Pätevän huoltoteknikon tulee suorittaa kaikki korjaukset, jotta voidaan taata tuotteen turvallinen ja luotettava käyttö.

VAROITUS: Poista akku aina laitteesta, kun puhdistat sitä tai teet huoltotoimenpiteitä. Näin vältät vakavat henkilövahingot.

YLEINEN KUNNOSSAPITO

Vältä liuotainainien käyttöä, kun puhdistat muoviosia. Useimmat muovit ovat herkkiä vaurioitumaan erilaisista kaupallisista liuottimista ja voivat vaurioitua niiden käytöstä. Poista lika, pöly, öljy, rasva ym. puhtailla liinoilla.

VAROITUS: Älä anna jarrunesteiden, bensiinin, ruosteen irrotusainien tai muiden öljypohjaisten tuotteiden joutua kosketuksiin muoviosien kanssa. Kemikaalit voivat vaurioittaa, heikentää tai tuhota muovin, mikä voi johtaa vakavaan henkilövahinkoon.

SÄILYTYS

- Poista akku koneesta.
- Puhdista kaikki vierasperäiset materiaalit koneen ilmanottoaukoista.
- Säilytä suljetussa paikassa, johon lapset eivät pääse. Pidä poissa syövyttävien aineiden, kuten puutarhakemikaalien ja jäänestosuolojen, läheltä.

Ympäristönsuojelu



Älä hävitä sähkölaitteita, käytettyjä akkuja tai laturia kotitalousjätteen seassa!

Vie tämä tuote hyväksytyyn kierrätyspaikkaan tai anna se erilliseen keräilyyn. Sähkötyökalut tulee palauttaa asianmukaiseen ympäristöystävälliseen kierrätyslaitokseen.

FI

VIANMÄÄRITYS

ONGELMA	SYY	RATKAISU
Lehti-imuri ei toimi.	<ul style="list-style-type: none"> ■ Lehti-imurin ja akun välillä ei ole sähköyhteyttä. ■ Akun varaus on tyhjentynyt. ■ Akku tai puhallin on ylikuumentunut. ■ Konetta ei ole koottu kokonaan. 	<ul style="list-style-type: none"> ■ Poista akku, tarkista koskettimet ja asenna akku uudelleen paikalleen. ■ Lataa akku. ■ Jäähdytä akkua ja lehti-imuria, kunnes niiden lämpötila on alle 67 °C. ■ Noudata Kokoaminen-osion ohjeita kootaksesi koneen kokonaan ja oikein.
The air velocity decreases significantly.	<ul style="list-style-type: none"> ■ Ilmanottoaukko on irtoaineksen tukkima. ■ Moottorituulettimen merkittävä kuluminen. ■ Liian paljon roskaa lehtipussin sisällä. 	<ul style="list-style-type: none"> ■ Poista akut ja poista roskat. ■ Ota yhteys EGO-huoltokeskukseen korjausta varten. ■ Tyhjennä lehtipussi noudattamalla kohdan Lehtipussin poistaminen ja tyhjentäminen ohjeita KOKOAMINEN-osiossa.

FI

TAKUU

EGON TAKUUEHDOT

Verkkosivustolta egopowerplus.eu löydät EGO:n takuukäytännön täydelliset ehdot.

LES ALLE INSTRUKSJONER!



LES BRUKERHÅNDBOKEN

⚠ ADVARSEL: For å sikre sikkerhet og pålitelighet bør alle reparasjoner utføres av en kvalifisert servicetekniker.

⚠ ADVARSEL: Sørg for å lese og forstå alle sikkerhetsinstruksjonene i denne brukerhåndboken, inkludert alle sikkerhetsvarselssymboler som **“FARE”**, **“ADVARSEL”** og **“FORSIKTIG”** før du bruker dette verktøyet. Hvis du ikke følger alle instruksjonene nedenfor, kan det føre til elektrisk støt, brann og/eller alvorlig personskade.

LAGRE ALLE ADVARSLER OG INSTRUKSJONER FOR FREMTIDIG REFERANSE.

SIKKERHETSSYMBOLER

⚠ ADVARSEL: Bruk av hvilke som helst elektroverktøy kan føre til at fremmedlegemer blir kastet mot øynene, noe som kan gi alvorlige øyeskader. Før du begynner å bruke elektroverktøyet, skal du alltid ta på vernebriller eller vernebriller med sidebeskyttelse, og en full ansiktsskjerm der det trengs. Vi anbefaler en Wide Vision Safety Mask til bruk over briller, eller standard vernebriller med sidebeskyttelse.

NO



Sikkerhetsvarsel



For at risikoen for personskader skal unngås må brukeren lese og forstå bruksanvisningen før produktet tas i bruk.



Bruk alltid hørselsvern og øyevern når du bruker dette produktet.



Hold alle tilskuere minst 15 m unna.



Garantert lydeffektnivå. Støy i omgivelsene er i henhold til EUs direktiv.



CE Dette produktet er i samsvar med gjeldende EU-direktiver.



Elektrisk avfall skal ikke kastes sammen med husholdningsavfall. Send til en autorisert gjenvinner.



UKCA Dette produktet er i samsvar med gjeldende britisk lovgivning.



Likestrøm

IPX4 Beskyttelse mot vannsprut

V

Spennning

./min Per minutt

mm

Millimeter

n_0 Hastighet uten last

GENERELLE MASKINSIKKERHETSADVARSLER

⚠ ADVARSEL: LES ALLE SIKKERHETSADVARSLER, INSTRUKSJONER, ILLUSTRASJONER OG SPESIFIKASJONER SOM LEVERES MED DENNE MASKINEN. Unnlatelse av å følge alle instruksjonene nedenfor kan føre til elektrisk støt, brann og/eller alvorlig skade.

LAGRE ALLE ADVARSLER OG INSTRUKSJONER FOR FREMTIDIG REFERANSE.

Begrepet „maskin“ i advarslene refererer til din nettdrevne (med ledning) maskin eller batteridrevne (trådløse) maskin.

SIKKERHET I ARBEIDSSOMRÅDET

- **Hold arbeidsområdet rent og godt opplyst.** Rotete eller mørke områder inviterer til ulykker.
- **Ikke bruk maskiner i eksplosive atmosfærer, for eksempel i nærvær av brennbare væsker, gasser eller støv.** Maskiner lager gnister som kan antenne støv eller røyk.
- **Hold barn og tilskuere unna mens du bruker en maskin.** Distraksjoner kan føre til at du mister kontrollen.

ELEKTRISK SIKKERHET

- **Maskinpluggene må passe til stikkkontakten.** Modifiser aldri støpselet på noen måte. **Ikke bruk noen adapterplugger med jordede (jordede) maskiner.** Umodifiserte støpsler og matchende stikkontakter vil redusere risikoen for elektrisk støt.
- **Unngå kroppskontakt med jordete overflater som rør, radiatore, komfyrer og kjøleskap.** Det er en økt risiko for elektrisk støt hvis kroppen din er jordet eller jordet.
- **Ikke utsett maskiner for regn eller våte forhold.** Vann som kommer inn i en maskin vil øke risikoen for elektrisk støt.
- **Ikke utsett ledningen for feil behandling. Bruk aldri ledningen til å bære, trekke eller koble fra maskinen.** Hold ledningen unna varme, olje, skarpe kanter eller bevegelige deler. Skadede eller sammenfiltrede ledninger øker risikoen for elektrisk støt.
- **Når du bruker en maskin utendørs, bruk en skjøteledning som er egnet for utendørs bruk.** Bruk av en ledning egnet for utendørs bruk reduserer risikoen for elektrisk støt.
- **Hvis det er uunngåelig å bruke en maskin på et fuktig sted, bruk en jordfeilbryterbeskyttet forsyning.** Bruk av GFCI reduserer risikoen for elektrisk støt.

PERSONLIG SIKKERHET

- **Vær på vakt, se hva du gjør og bruk sunn fornuft når du bruker en maskin. Ikke bruk en maskin mens du er trett eller påvirket av rusmidler, alkoholmedisiner.** Et øyeblikks uoppmerksomhet under bruk av maskiner kan føre til alvorlig personskade.
- **Bruk personlig verneutstyr. Bruk alltid vernebriller.** Verneutstyr som støvmaske, sklisikre vernesko, hjelm eller hørselsvern når omgivelsene krever det, reduserer risikoen for personskader.
- **Forhindre utilsiktet start. Sørg for at bryteren er i av-posisjon før du kobler til strømkilden og/eller batteripakken, plukker opp eller bærer maskinen.** Å bære maskiner med fingeren på bryteren eller energigivende maskiner som har bryteren på, inviterer til ulykker.
- **Fjern eventuell justeringsnøkkel eller skiftenøkkel før du slår på maskinen.** En skiftenøkkel eller en nøkkel som er festet til en roterende del av maskinen kan føre til personskade.
- **Ikke overdriv. Hold riktig fotfeste og balanse til enhver tid.** Dette gir bedre kontroll over maskinen i uventede situasjoner.
- **Kle deg skikkelig. Ikke bruk løse klær eller smykker. Hold håret, klærne unna bevegelige deler.** Løse klær, smykker eller langt hår kan sette seg fast i bevegelige deler.
- **Hvis det leveres enheter for tilkobling av støvavsug og oppsamlingsanlegg, sørg for at disse er tilkoblet og riktig brukt.** Bruk av støvenheter kan redusere støvrelaterte farer.
- **Ikke la kjennskap oppnådd ved hyppig bruk av maskiner tillate deg å bli selvtillfreds og ignorere maskinsikkerhetsprinsipper.** En uforsiktig handling kan forårsake alvorlig personskade med en brøkdell av et sekund.

MASKINBRUK OG STELL

- **Ikke tving maskinen. Bruk riktig maskin for din applikasjon.** Riktig maskin vil gjøre jobben bedre og sikrere med den hastigheten den ble designet for.
- **Ikke bruk maskinen hvis bryteren ikke slår den av og på.** Enhver maskin som ikke kan kontrolleres med bryteren er farlig og må repareres.
- **Koble støpselet fra strømkilden og/eller batteripakken fra maskinen før du foretar justeringer, skifter tilbehør eller oppbevarer maskiner.** Slike forebyggende sikkerhetstiltak reduserer risikoen for å starte maskinen ved et uhell.

NO

- **Oppbevar inaktive maskiner utilgjengelig for barn og la ikke personer som ikke er kjent med maskinen eller disse instruksjonene bruke maskinen.** Maskiner er farlige i hendene på utrente brukere.
- **Vedlikeholde maskiner og tilbehør. Sjekk for feiljustering eller binding av bevegelige deler, brudd på deler og andre forhold som kan påvirke maskinens drift. Hvis den er skadet, få maskinen reparert før bruk.** Mange ulykker er forårsaket av dårlig vedlikeholdte maskiner.
- **Hold skjæremaskiner skarpe og rene.** Riktig vedlikeholdte skjæremaskiner med skarpe skjærekanter har mindre sannsynlighet for å binde seg og er lettere å kontrollere.
- **Bruk maskinen, tilbehør og maskinbits etc. i samsvar med disse instruksjonene, og ta hensyn til arbeidsforholdene og arbeidet som skal utføres.** Bruk av maskinen til andre operasjoner enn de tiltenkte kan føre til en farlig situasjon.
- **Hold håndtak og gripeflater tørre, rene og fri for olje og fett.** Glatte håndtak og gripeflater tillater ikke sikker håndtering og kontroll av maskinen i uventede situasjoner.

NO

BRUK OG STELL AV BATTERIMASKINEN

- **Lad kun med laderen spesifisert av produsenten.** En lader som er egnet for én type batteripakke kan skape brannfare når den brukes med en annen batteripakke.
 - **Bruk kun maskiner med spesifikt utpekte batteripakker.** Bruk av andre batteripakker kan skape risiko for skader og brann.
 - **Når batteriet ikke er i bruk skal det holdes unna andre metallgjenstander som binders, mynter, nøkler, spikere, skruer eller andre små metallgjenstander som kan lage forbindelse fra én terminal til en annen.** Kortslutning av batteripolene kan forårsake brannskader eller brann.
 - **Under farlige forhold kan væske komme ut av batteriet. Unngå kontakt med denne. Hvis kontakt oppstår ved et uhell, skyl med vann. Hvis væske kommer i kontakt med øynene, søk i tillegg medisinsk hjelp.** Væske som blir slynget ut av batteriet, kan forårsake iritasjon eller brannså.
 - **Ikke bruk en batteripakke eller maskin som er skadet eller modifisert.** Skadde eller modifiserte batterier kan oppføre seg uforutsigbart og medføre brann, eksplosjon eller risiko for personskade.
- **Ikke utsett en batteripakke eller maskin for brann eller høy temperatur.** Eksponering for brann eller temperatur over 130°C kan forårsake eksplosjon.
 - **Følg alle ladeinstruksjoner og ikke lad batteripakken eller maskinen utenfor temperaturområdet spesifisert i instruksjonene.** Feil lading eller ved temperaturer utenfor spesifisert område kan skade batteriet og øke risikoen for brann.

SERVICE

- **Få service på maskinen av en kvalifisert reparasjonsperson som kun bruker identiske reservedeler.** Dette vil sikre at sikkerheten til maskinen opprettholdes.
- **Batteripakker som er skadet, må aldri brukes.** Service på batteripakker må bare utføres av produsenten eller autoriserte tjenesteleverandører.

SIKKERHETSADVARSLER FOR BLÅSER/ VAKUUM

- **Ikke bruk maskinen under dårlige værforhold, spesielt når det er fare for lynnedslag.** Dette reduserer risikoen for å bli truffet av lynet.
- **Sjekk rusksamleren ofte for slitasje eller skade.** En slitt eller skadet avfallsoppsamler kan øke risikoen for personskade.
- **Bruk øyvern og hørselvern.** Tilstrekkelig verneutstyr vil redusere risikoen for personskade.
- **Når du bruker maskinen, bruk alltid sklisikre og beskyttende føttøy. Ikke bruk maskinen når du er barbeint eller bruker åpne sandaler.** Dette reduserer risikoen for skade på føttene.
- **Ikke bruk løstsittende klær eller artikler som skjørt, snorer, kjeder, slips osv. som kan trekkes inn i luftinntakene.** Bind tilbake eller dekk langt hår for å sikre at det ikke blir trukket inn i luftinntakene. Hvis noen av disse gjenstandene trekkes inn i luftinntakene, kan det øke risikoen for personskade.
- **Hold tilskuere unna mens du bruker maskinen.** Kastet rusk kan øke risikoen for personskade.
- **Ikke bruk i vakuummodus uten avfallsoppsamleren på plass.** Gjenstander som kastes kan øke risikoen for personskade.
- **Pek aldri blåsedysen i retning av mennesker eller kjæledyr eller i retning av vinduer. Vær ekstra forsiktig når du blåser rusk i nærheten av faste gjenstander, som trær, biler og vegger som kan få rusk til å rikosjette.** Gjenstander som kastes kan skade eiendom og øke risikoen for personskade.

- Ikke bruk maskinen til å plukke opp eller blåse noe som brenner eller ryker, for eksempel sigaretter, fyrstikker eller varm aske. Disse antennelseskildene kan øke brannfaren.
- Ikke støvsug vann eller andre væsker eller senk noen del av maskinen i væske. Vann som kommer inn i maskinen kan øke risikoen for elektrisk støt.
- Ikke støvsug steiner, grus, metall eller knust glass. Viftehjulet kan bli skadet og kan øke risikoen for personskade.
- Ikke berør viften mens den fortsatt er i bevegelse. Slå av maskinen og vent til viften stopper før du fjerner deler som kan gi tilgang til viften. Dette reduserer risikoen for skade fra bevegelige deler.
- Når du fjerner fastkjørt materiale eller utfører service på maskinen, sørg for at strømbryteren er av. Uventet start av maskinen under fjerning av fastkjørt materiale eller service kan føre til alvorlig personskade.
- Sørg alltid for å ha godt fotfeste i hellende terreng.
- Gå, aldri løp.
- Hold alle kjøleluftinntakene fri for rusk.
- Det anbefales at maskinen bare brukes ved tider på døgnet – ikke tidlig på morgenen eller sent på kvelden når folk kan bli forstyrret.
- Det anbefales at støvete overflater vætes lett, eller at vanntåketilbehøret brukes.

⚠ ADVARSEL: Fare for roterende deler!

- Bruk hele maskindyseforlengelsen slik at luftstrømmen kan jobbe nær bakken.
- Ikke bruk maskinen i nærheten av åpne vinduer, osv.

VEDLIKEHOLD OG OPPBEVARING

- Hold alle muttere, bolter og skruer stramme for å sikre at produktet er i sikker brukstilstand.
- Skift ut slitte eller ødelagte deler.
- Bruk bare originale reservedeler og tilbehør.
- Apparatet skal bare oppbevares på et tørt sted.

⚠ ADVARSEL: For å redusere risikoen for brann, elektrisk støt eller skade:

LES ALLE ANVISNINGENE FØR DU TAR APPARATET I BRUK!

OPPLÆRING

- La aldri barn, personer med reduserte fysiske, sensoriske eller mentale evner eller mangel på erfaring og kunnskap, eller personer som ikke er kjent med disse instruksjonene, bruke elektroverktøyet.
- Operatøren er ansvarlig for skade som skjer på andre folk eller annens eiendom.

FORBEREDELSE

- Maskinen kan brukes i regnvær eller fuktige omgivelser. Tørk maskinen etter endt arbeid.
- Kontroller batteriene eller batteripakkene for skader før bruk. Ikke bruk produktet hvis batteriene eller batteripakken er skadet.

OPERASJON

- Maskinen kan brukes i regnvær eller fuktige omgivelser. Tørk maskinen etter endt arbeid.
- Koble fra batterier eller batteripakker:
 1. Når du forlater maskinen;
 2. Før du fjerner en blokkering;
 3. Før du sjekker, rengjør eller arbeider på produktet;
 4. Hvis apparatet begynner å vibrere unormalt.

VIKTIG

LES NØYE FØR BRUK.

BEHOLD FOR FREMTIDIG REFERANSE.

- Ikke la maskinen brukes som leketøy. Nøye oppmerksomhet er nødvendig når den brukes av eller i nærheten av barn.
- Hvis maskinen ikke fungerer som den skal, har blitt falt, skadet eller falt i vann, returner den til et servicesenter.
- Ikke putt gjenstander inn i noen åpninger. Ikke bruk hvis åpninger er blokkert – hold åpninger frie for støv, lo, hår og annet som kan redusere luftstrømmen.
- Vær ekstra forsiktig ved rengjøring på trapper.
- Ikke la maskinen stå uten tilsyn når batteripluggen er satt inn. Ta ut batteriet når maskinen ikke er i bruk og før service.
- Ikke ta i laderen, inkludert laderens støpsel eller tilkoblingspunkter, med våte hender.
- Ikke lad batteripakken utendørs.

NO

⚠ ADVARSEL:

- Batteripakken må fjernes fra apparatet før det kasseres.
- Batteriet skal avhendes på en sikker måte.
- **IKKE** prøv å fjerne rusk fra enheten uten først å fjerne batteriet.
- **Hold maskinen og håndtaket tørre, rene og fri for olje og fett.** Bruk alltid en ren klut ved rengjøring. Bruk aldri bremsevæsker, bensin, petroleumsbaserte produkter eller sterke løsemidler for å rengjøre maskinen. Hvis man følger denne regelen, vil det redusere faren for å miste kontrollen, og nedbryting av plastdeler i huset.
- **Batterier kan eksplodere hvis de er nær tennkilder, for eksempel en pilotflamme.** For å redusere risikoen for alvorlig personskade, skal trådløse produkter ikke brukes i nærheten av åpen flamme. Et eksplodert batteri kan kaste ut rester og kjemikalier. Hvis man blir eksponert for dette, skylk straks med vann.
- **Kjør aldri enheten uten riktig utstyr.** Sørg alltid for at maskinøret er installert.
- **Bruk aldri maskinen i nærheten av bål eller varm aske.** Bruk i nærheten av brann eller aske kan spre brann og føre til alvorlig personskade og/eller skade på eiendom.
- **Bruk aldri maskinen til å spre kjemikalier, gjødsel eller andre giftige stoffer.** Spredning av slike stoffer kan føre til alvorlig skade på brukeren eller tilskuere.
- **Ta vare på disse instruksjonene.** Se dem ofte og bruk dem til å instruere andre som kan bruke denne maskinen. Hvis du låner denne maskinen til noen andre, lån også disse instruksjonene til dem for å forhindre misbruk av maskinen og mulig skade.

LAGRE DISSE INSTRUKSJONENE!

NO

SPESIFIKASJONER

Merkespenning		56 V $\overline{\text{---}}$
Blåser	Maksimalt luftvolum	850 m ³ /t
	Maksimal lufthastighet	64 m/s (med bare blåserør) 93 m/s (med konisk dyse)
	Maksimal blåsekraft	15 N
Kapasitet for bladpose		40 liter
Maks. Makuleringshastighet		16 : 1
Vekt (uten batteripakke og dyse)		5,8 kg (vakuum) 4,2 kg (blåser)
Anbefalt driftstemperatur		-15°C-40°C
Anbefalt lagringstemperatur		-20°C-70°C
Anbefalt ladetemperatur		5°C-40°C
Målt lydeffektnivå L _{WA}		100 dB(A) K=1,9 dB(A)
Lydtrykknivå ved arbeidsstilling L _{PA}		88 dB(A) K=3 dB(A)
Garantert lydeffektnivå L _{WA} (i henhold til 2000/14/EC)		102 dB(A)
Vibrasjon a _h		Maks. 1,80 m/s ² K= 1,5 m/s ²

- Den deklarerte totalverdien for vibrasjoner er målt i henhold til en standard testmetode og kan brukes til å sammenligne ett verktøy med et annet.
- Den oppgitte vibrasjonstotalverdien kan også brukes i en foreløpig vurdering av eksponering.

MERKNAD: Vibrasjonsutslippet under faktisk bruk av elektroverktøyet kan avvike fra den deklarerte verdien som verktøyet brukes i; For å beskytte brukeren, bør brukeren bruke hansker og hørselsvern under de faktiske bruksforholdene.

PAKNINGSLISTE (FIG. A1)

BESKRIVELSE

KJENN DITT BLADVAKUUM (Fig. A1)

1. Vakuumdysse
2. Vakuumrør
3. Bærehåndtak for vakuummontering
4. Luftinntaksgitter
5. Fremre håndtak
6. Batteriutløserknapp
7. Hastighets-/låsehjul
8. Skulderrem Hanger
9. Hovedhåndtak
10. Utløser lufthastighet
11. Løvpose
12. Skulderstropp
13. Elektriske kontakter
14. Klinke
15. Blåserør
16. Avsmalnende dysse

MONTERING

⚠ ADVARSEL: Hvis noen av delene er skadet eller mangler, må du ikke bruke dette produktet før delene er byttet. Bruk av dette produktet med skadede eller manglende deler kan føre til alvorlig personskaade.

⚠ ADVARSEL: Ikke forsøk å modifisere dette produktet eller lage tilbehør som ikke anbefales for bruk med dette produktet. Enhver slik endring eller modifikasjon er misbruk og kan føre til en farlig tilstand som kan føre til mulig alvorlig personskaade.

⚠ ADVARSEL: For å forhindre utilsiktet start som kan forårsake alvorlig personskaade, fjern alltid batteripakken fra maskinen når du monterer deler.

LEGG MERKE TIL: Maskinen kan ikke startes før vifterøret eller vakuumenheten og bladposen er fullstendig og riktig montert.

MONTERING/FJERNE AV BLØSERØRET

Å montere (fig. B1 og B2)

Rettt inn sporet og skyv røret inn på viftehøset til vifterørets låsespak låses.

B-1	Låsespak for blåserør
-----	-----------------------

Å fjerne (fig. B3)

Trykk på viftelåsespaken for å frigjøre låsen, og fjern deretter røret.

MONTERING/FJERNE AV DET KONISKE MUNNSTYKKET TIL BLÅSEREN

Montering (fig. C1 og C2)

Juster sporet i det avsmalnende munnstykket med rørknappen og skyv munnstykket på røret til det klikker på plass.

For å fjerne (fig. C3)

Trykk på og hold nede utløserknappen for å frigjøre låsen, og trekk deretter munnstykket rett fra blåserøret.

MONTERING/FJERNING AV VAKUUMMONTERING

For å sette sammen vakuummunnstykket (fig. D)

LEGG MERKE TIL: Når vakuummunnstykket og vakuumrøret først er koblet sammen, blir de én vakuumenhet som ikke kan tas fra hverandre.

Rettt inn sporet og skyv munnstykket inn på vakuumrøret til vakuumdyselåseknappen låses på plass.

For å sette sammen vakuumenheten

1. Trykk på låsespaken for vakuumrøret for å frigjøre luftinntaksgitteret, og åpne deretter gitteret (fig. E1 og E2).

E-1	Vakuumrørlåsespak
-----	-------------------

2. Juster de to hevede firkantede hjørnene på vakuumenheten med de to forsenkede firkantede sporene ved luftinntaket som vist i fig. E3 for å koble inn enheten.
3. Trykk vakuumenheten mot luftinntaket til vakuumrørets låsespak låses (fig. E4).
4. Trykk luftinntaksgitteret mot vakuumenheten (fig E5).

For å sette sammen bladposen (fig. F)

1. Rettt inn sporet og skyv løvposekontakten inn på vakuumhuset til bladposens låsespak låses.

F-1	Leaf Bag Connector	F-3	Løvposeløkke
F-2	Leaf Bag Låsespak		

2. Heng løvposens løkke på kroken på vakuumenheten som vist i fig. F.

NO

For å fjerne og tømme bladposen (fig. G1)

1. Fjern løvposeløkken fra kroken på vakuumenheten.
2. Skyv bladposens låsespak for å frigjøre låsen, og fjern deretter posen.
3. Åpne glidelåsen for å tømme bladposen.

G-1	Glidelås
-----	----------

For å fjerne vakuumenheten (fig. G2 og G3)

1. Trykk på låsespaken for vakuurrøret for å låse opp røret.
2. Fjern vakuumenheten.
3. Trykk luftinntaksgitteret mot luftinntaket til låsespaken låses.

MONTERE SKULDERREMME (Fig. H)

NO

Trykk inn reimkarabinkrokene for å åpne dem og fest dem på skulderreimhengerne i hver ende av maskinen.

Det er to måter å frigjøre stroppen på. Ta den av direkte fra skulderen eller trykk ned en av karabinkrokene for å koble skulderremmen fra skulderreimhengeren.

⚠ ADVARSEL: Når du bærer stroppen, skal ingen andre klær forstyrre frigjøring og fjerning av stroppen.

⚠ ADVARSEL: Hvis en nødsituasjon oppstår, ta den av skulderen umiddelbart, uansett hvilken vei stroppen er på.

⚠ ADVARSEL: Du bør ikke bruke enkelt-skulderremmen og dobbeltskulderremmen samtidig.

⚠ ADVARSEL: Ikke bruk skulderreim og BH1000 EGO ryggsekklenke samtidig. Dette vil forhindre rask nødutløsning av maskinen, noe som resulterer i personskaide.

OPERASJON

⚠ ADVARSEL: Ikke la kjennskap til dette produktet gjøre deg uforsiktig. Husk at en uforsiktig brøkdell av et sekund er tilstrekkelig til å påføre alvorlig skade.

⚠ ADVARSEL: Bruk alltid øyevern med sideskjold, sammen med hørselsvern. Unnlattelse av å gjøre dette kan føre til at gjenstander blir kastet inn i øynene og andre mulige alvorlige skader.

⚠ ADVARSEL: For å hindre utilsiktet start som kan føre til alvorlig personskaide, skal batteripakken alltid tas ut av verktøyet når du monterer deler, gjør justeringer, utfører

rengjøring, eller når verktøyet ikke er i bruk.

⚠ ADVARSEL: Ikke bruk tilbehør eller tilbehør som ikke er anbefalt av produsenten av dette produktet. Bruk av tilbehør eller deler som ikke anbefales, kan medføre alvorlige personskaider.

Før hver bruk skal hele produktet for inspiseres for skader, mangler eller løse deler, for eksempel skruer, muttere, bolter, heter, osv. Trekk til alle festene og hettene godt, og ikke bruk dette produktet før alle manglende eller skadede deler har blitt byttet.

APPLIKASJONER

Du kan bruke dette produktet til formålene som er oppført nedenfor:

- Samler løv, gressklipp og annet rusk.
- Rydding av harde overflater som innkjørsler og gangveier.
- Holde dekk og innkjørsler fri for løv.

LEGG MERKE TIL: Maskinen skal bare brukes til de foreskrevne formålene. Enhver annen bruk anses å være et tilfelle av misbruk.

FESTE/FRA BATTERIPAKKEN

Bruk kun med EGOs batteripakker og ladere oppført i Fig.A2.

MERK: Lad batteripakken helt opp før første gangs bruk.

Å feste

Juster batteriribbene med monteringssporene og trykk batteripakken ned til du hører et „klikk“ (fig. I1).

Å løsne (fig. I2)

Trykk inn batteriutløserknappen og trekk ut batteripakken (fig. I2).

⚠ ADVARSEL: Vær alltid oppmerksom på plasseringen av føttene, barna eller kjæledyrene dine når du trykker på batteriutløserknappen. Alvorlig skade kan føre til hvis batteripakken faller. Fjern ALDRI batteripakken på et høyt sted.

STARTE/STOPPE MASKINEN

Kun lufthastighetsutløser

1. Trykk på lufthastighetsutløseren for å slå på maskinen.
2. Lufthastigheten til maskinen styres med den variable hastighetsutløseren. Mer trykk på avtrekkeren resulterer i høyere lufthastigheter; mindre trykk på avtrekkeren gir lavere lufthastigheter. Juster

hastigheten for å passe oppgaven.

- Slipp lufthastighetsutløseren for å slå av maskinen.

Kun hurtig-/låsenummer

Maskinen kan låses i alle hastigheter med hastighets-/låsehjulet.

- Vri hastighets-/låsehjulet mot den nærliggende skulderreimhengeren for å starte maskinen. Lufthastigheten vil øke når hjulet dreies til den når maksimal hastighet (MAX).
- For å redusere lufthastigheten, dreier hastighets-/låsehjulet mot motsatt side.
- Fortsett å dreie hastighets-/låsehjulet til av-posisjon (0) for å stoppe maskinen.

LEGG MERKE TIL: Hvis hastighets-/låsehjulet ikke skrur tilbake til av-stilling før batteriet fjernes, starter ikke viften når et fulladet batteri er installert. Dette er en sikkerhetsmekanisme for å unngå utilsiktet oppstart. Trykk på lufthastighetsutløseren for å deaktivere beskyttelsen og starte viften.

TIPS FOR BRUK AV BLÅSEREN (Fig. K)

For å bruke maskinen som en blåser, følg instruksjonene i avsnittet **MONTERING** for å installere vakuumenheten.

- For å unngå å spre rusk utover, blåser du rundt ytterkantene av ruskhauger. Unngå å blåse rett inn i midten av en haug.
- For å redusere lydnivået, begrense antall deler av strømutstyr som brukes til enhver tid.
- Bruk raker og feiekoster for å løsne rusk før du blåser. I støvete omgivelser skal overflater fuktes lett hvis det er vann tilgjengelig.
- Spar vann ved å bruke elektroblåser i stedet for hageslanger i mange plen- og hageapplikasjoner, inkludert områder som takrenner, skjermmer, uteplasser, griller, verandaer og hager.
- Se opp for barn, dyr, åpne vinduer eller nyvaskede biler, og blås rusk unna i en trygg retning.
- Etter å ha brukt blåser eller annet utstyr, må du rydde opp! Avhend avfall på riktig måte.

TIPS FOR BRUK AV VAKUUMET (Fig. L)

For å bruke maskinen som en støvsuger, følg instruksjonene i **MONTERING**-delen for å installere vakuumenheten, bladposen og skulderremmen.

- Sjekk bladposen ofte for slitasje eller forringelse.
- For å unngå å heve støv, lukk glidelåsen til bladposen helt før du starter maskinen.
- Tøm bladposen før den blir full.
- For å hindre at vann kommer inn i maskinen, bruk maskinen til å samle våte løv fra bakken, men ikke fra bassenget.
- Ikke la plastposer, tøy og andre gjenstander som ikke er lett å bryte og lett kan bli viklet inn i maskinen.
- Ikke la harde materialer, som store flis, metaller, glass, småstein osv., suges inn i maskinen.

VEDLIKEHOLD

⚠ ADVARSEL: Bruk bare identiske reservedeler ved service. Bruk av andre deler kan skape fare eller forårsake produktskade. For å sikre sikkerhet og pålitelighet bør alle reparasjoner utføres av en kvalifisert servicetekniker.

⚠ ADVARSEL: For å unngå alvorlige personskader skal batteripakken alltid tas ut av produktet når du utfører rengjøring eller vedlikehold.

GENERELT VEDLIKEHOLD

Unngå bruk av løsemidler når plastdeler skal rengjøres. De fleste plasttyper kan ta skade av ulike typer løsemidler som er i salg, og kan dermed bli ødelagt. Bruk rene kluter til å fjerne smuss, støv, olje, fett osv.

⚠ ADVARSEL: Ikke på noe tidspunkt skal bremsevæske, bensin, petroleum-baserte produkter, penetrerende oljer, osv. komme i kontakt med plastdeler. Kjemikalier kan skade, svekke eller ødelegge plast som kan føre til alvorlig personskade.

OPPBEVARING

- Ta batteripakken ut av maskinen.
- Fjern alle fremmedlegemer fra luftinntakene til blåseren.

NO

- Oppbevares på et innelukket sted som er utilgjengelig for barn. Hold produktet på avstand fra etsende midler som hagekjemikalier og veisalt.

Beskytter miljøet



Ikke kast elektrisk utstyr, brukt batteri og lader i husholdningsavfallet!

Ta med dette produktet til autorisert gjenvinning, og gjør det tilgjengelig for separat innsamling. Elektriske verktøy må returneres til et miljøvennlig gjenvinningsanlegg.

NO

FEILSØKING

PROBLEM	ÅRSAK	LØSNING
Bladstøvsuger fungerer ikke.	<ul style="list-style-type: none"> ■ Ingen elektrisk kontakt mellom løvsuger og batteripakke. ■ Batteripakkens ladning er oppbrukt. ■ Batteripakken eller blåseren er for varm. ■ Maskinen er ikke ferdig montert. 	<ul style="list-style-type: none"> ■ Ta ut batteripakken, sjekk kontaktene og sett inn batteripakken igjen. ■ Lad batteripakken. ■ Avkjøl batteripakken og løvvakuum til temperaturen synker under 67°C. ■ Følg instruksjonene i avsnittet Montering for å montere maskinen fullstendig og riktig.
The air velocity decreases significantly.	<ul style="list-style-type: none"> ■ Luftinntaket er blokkert av rusk. ■ Overdreven slitasje på motorvifte. ■ For mye rusk inne i løvposen. 	<ul style="list-style-type: none"> ■ Ta ut batteriene, fjern rusk. ■ Kontakt EGO servicesenter for reparasjon. ■ Tøm bladposen ved å følge instruksjonene i For å fjerne og tømme bladposen kapittelet i MONTERING-delen.

NO

GARANTI

EGO GARANTIPOLITIK

Besøk nettstedet egopowerplus.eu for fullstendige vilkår og betingelser for EGO-garantipolicyen.

ПРОЧИТАЙТЕ ВСЕ ИНСТРУКЦИИ!



ПРОЧИТАЙТЕ РУКОВОДСТВО ПОЛЬЗОВАТЕЛЯ

⚠ ПРЕДУПРЕЖДЕНИЕ. Для обеспечения безопасности и надежности устройства его ремонт должен выполнять квалифицированный специалист.

⚠ ПРЕДУПРЕЖДЕНИЕ. Перед использованием устройства внимательно прочитайте все инструкции в данном руководстве пользователя и ознакомьтесь с предупреждающими символами безопасности, такими как **ОПАСНОСТЬ**, **ПРЕДУПРЕЖДЕНИЕ** и **ВНИМАНИЕ**. Несоблюдение всех приведенных ниже инструкций может привести к поражению электрическим током, возникновению пожара и (или) получению серьезных травм.

СОХРАНИТЕ ВСЕ ПРЕДУПРЕЖДЕНИЯ И ИНСТРУКЦИИ ДЛЯ ИСПОЛЬЗОВАНИЯ В БУДУЩЕМ.

СИМВОЛЫ БЕЗОПАСНОСТИ

⚠ ПРЕДУПРЕЖДЕНИЕ. В результате работы электроинструмента в глаза могут попасть посторонние предметы, что приведет к серьезному повреждению глаз. Перед началом использования электроинструмента всегда надевайте защитную маску или защитные очки с боковыми щитками и полнопрофильную защитную маску (при необходимости). Поверх очков или стандартных защитных очков рекомендуется надевать безопасную маску с широким обзором.

RU



Предупреждение об опасности



Чтобы уменьшить риск получения травм, перед использованием устройства необходимо прочитать и понять руководство по эксплуатации.



При использовании устройства всегда надевайте средства защиты органов слуха и зрения.



Следите за тем, чтобы посторонние лица находились на расстоянии не менее 15 м.



Гарантированный уровень звуковой мощности. Уровень шума в окружающей среде в соответствии с директивой ЕС.



Соответствует основным требованиям стандартов безопасности Европейских директив.



Неисправные электрические устройства нельзя выбрасывать вместе с бытовым мусором. Сдавайте их в авторизованные пункты сбора и утилизации.



Данное изделие соответствует действующему законодательству Великобритании.



Постоянный ток

IPX4

Защита от брызг воды

V

Напряжение

./min

Оборотов в минуту

mm

Миллиметр

n_0

Скорость работы без нагрузки

ОБЩИЕ ПРАВИЛА ТЕХНИКИ БЕЗОПАСНОСТИ ПРИ ИСПОЛЬЗОВАНИИ УСТРОЙСТВА

⚠ ПРЕДУПРЕЖДЕНИЕ. ПРОЧИТАЙТЕ ВСЕ ПРАВИЛА БЕЗОПАСНОСТИ, ИНСТРУКЦИИ, ИЛЛЮСТРАЦИИ И СПЕЦИФИКАЦИИ, ПРИЛАГАЕМЫЕ К ЭТОМУ УСТРОЙСТВУ.

Невыполнение изложенных ниже инструкций может привести к поражению электрическим током, пожару и (или) тяжелым травмам.

СОХРАНИТЕ ВСЕ ПРЕДУПРЕЖДЕНИЯ И ИНСТРУКЦИИ ДЛЯ ИСПОЛЬЗОВАНИЯ В БУДУЩЕМ.

Термин «устройство» в предупреждениях означает электроинструмент с питанием от сети (с кабелем) или с питанием от аккумулятора (без кабеля).

БЕЗОПАСНОСТЬ РАБОЧЕГО МЕСТА

- **Обеспечьте чистоту и освещенность рабочего места.** Загроможденные и плохо освещенные места служат причиной несчастных случаев.
- **Не используйте устройство во взрывоопасных местах, например вблизи горючих жидкостей, газов или пыли.** Устройство генерирует искры, которые могут воспламенить пыль или испарения.
- **Не позволяйте детям и посторонним находиться вблизи работающего устройства.** Отвлекающие факторы могут привести к потере контроля.

ЭЛЕКТРОТЕХНИЧЕСКАЯ БЕЗОПАСНОСТЬ

- **Вилка устройства должна соответствовать розетке. Никогда не переделывайте вилку. Не используйте никакие переходники для вилок заземленных устройств.** Использование оригинальных вилок и соответствующих им розеток уменьшает риск поражения электрическим током.
- **Избегайте прикосновений к заземленным объектам, таким как трубы, радиаторы, плиты и холодильники.** Риск поражения электрическим током выше, когда тело заземлено.
- **Не подвергайте устройство воздействию дождя или влажности.** При попадании воды в устройство увеличивается риск поражения электрическим током.
- **Обращайтесь с кабелем аккуратно. Никогда не переносите, не тяните и не выключайте устройство за кабель. Держите кабель подальше от источников тепла, масла, острых предметов и**

движущихся частей. Поврежденные и запутанные кабели повышают риск поражения электрическим током.

- **Для работы с устройством вне помещения используйте предназначенный для этого удлинительный кабель.** Использование кабеля, подходящего для использования вне помещения, снижает риск поражения электрическим током.
- **Если использование электроинструмента в сыром месте неизбежно, подключайте его через выключатель короткого замыкания на землю (ВКЗЗ).** Использование ВКЗЗ уменьшает риск поражения электрическим током.

ЛИЧНАЯ БЕЗОПАСНОСТЬ

- **При использовании устройства будьте бдительны, следите за своими действиями и следуйте здравому смыслу. Не пользуйтесь устройством, если вы устали или находитесь под воздействием наркотиков, алкоголя или медикаментов.** Даже кратковременная невнимательность при работе с устройством может привести к тяжелым травмам.
- **Используйте средства индивидуальной защиты. Всегда используйте защитные средства для глаз.** Защитное оборудование, такое как противопылевая маска, нескользкая предохранительная обувь, жесткая каска или устройства защиты органов слуха в соответствующих условиях уменьшает риск травмирования.
- **Не допускайте непредвиденных запусков.** Перед подключением устройства к сети питания (или аккумулятору) и перед его переноской убедитесь, что выключатель находится в выключенном положении. Не держите палец на выключателе при переноске устройства и не подключайте к источнику питания, если устройство включено. Это может привести к несчастному случаю.
- **Перед включением устройства снимите с него регулировочные инструменты и гаечные ключи.** Регулировочный инструмент или гаечный ключ, оставленный на вращающейся части устройства, может стать причиной травмы.
- **Не тянитесь. Всегда сохраняйте устойчивое положение и равновесие.** Это позволит лучше контролировать устройство в непредвиденных ситуациях.

RU

- Одевайтесь надлежащим образом. Не надевайте свободную одежду и украшения. Держите волосы и одежду подальше от движущихся частей. Свободная одежда, украшения и длинные волосы могут попасть в движущиеся части.
- При наличии устройств для отвода и сбора пыли убедитесь, что они подключены и правильно работают. Использование пылеулавливающих устройств снижает вред, причиняемый пылью.
- Не допускайте небрежности, которая может возникнуть из-за частого использования устройства и повлечь за собой самоуверенность и игнорирование правил безопасности. Неосторожное действие может причинить серьезную травму за доли секунды.
- Используйте устройство, аксессуары, насадки и т. п. в соответствии с этими инструкциями, учитывая условия и специфику выполняемой работы. Использование устройства для выполнения непредусмотренных операций может привести к опасным ситуациям.
- Следите за тем, чтобы рукоятки и поверхности захвата были сухими и чистыми и на них не было масла или смазочного материала. Скользкие рукоятки и поверхности захвата не позволяют безопасно использовать устройство и контролировать его в непредвиденных ситуациях.

ЭКСПЛУАТАЦИЯ И ОБСЛУЖИВАНИЕ УСТРОЙСТВА

- Не прилагайте к устройству чрезмерных усилий. Используйте подходящее для ваших задач устройство. Правильно выбранное устройство более эффективно и безопасно при номинальной нагрузке.
- Не используйте устройство, если его выключатель неисправен. Устройство с неисправным выключателем опасно и подлежит ремонту.
- Перед регулировкой, сменой аксессуаров или хранением отключите устройство от сети питания и (или) аккумулятора. Такие меры предосторожности уменьшают риск случайного запуска устройства.
- Храните неиспользуемое устройство в недоступном для детей месте и не доверяйте устройство лицам, не знакомым с ним и с этими инструкциями. Такие устройства опасны в руках неподготовленных пользователей.
- Выполняйте техническое обслуживание устройства и принадлежностей. Проверьте выравнивание и сцепление подвижных деталей, наличие поломок и прочие условия, которые могут повлиять на работу устройства. Если устройство повреждено, перед использованием его необходимо отремонтировать. Многие несчастные случаи вызваны неправильным техобслуживанием устройств.
- Храните режущие устройства в чистоте и заточенном состоянии. Правильно обслуживаемые и хорошо заточенные режущие устройства меньше заклинивают и лучше контролируются.

ЭКСПЛУАТАЦИЯ И ОБСЛУЖИВАНИЕ АККУМУЛЯТОРНОГО УСТРОЙСТВА

- Заряжайте аккумуляторы только с помощью зарядного устройства, указанного изготовителем. Зарядное устройство, предназначенное для одного типа аккумуляторных батарей, может стать причиной пожара при использовании с другим типом батарей.
- Используйте устройство только со специально предназначенными для него аккумуляторами. Использование любого другого вида аккумуляторных батарей может стать причиной несчастных случаев или пожара.
- Когда аккумулятор не используется, храните его отдельно от металлических предметов — канцелярских скрепок, монет, ключей, гвоздей, винтов и др. — они могут соединить контакты. Короткое замыкание контактов аккумуляторной батареи может стать причиной ожогов или пожара.
- При неблагоприятных обстоятельствах из аккумулятора может потечь электролит; избегайте контакта с ним. При случайном контакте промойте водой. Если жидкость попала в глаза, обратитесь к врачу. Жидкость из аккумуляторной батареи может вызвать раздражение и ожоги.
- Не используйте аккумулятор и устройство, если они повреждены или подвергались модификациям. Поведение поврежденных или модифицированных аккумуляторов может быть непредсказуемым, что приведет к возгоранию, взрыву и риску получения травм.
- Не подвергайте аккумуляторную батарею и устройство воздействию огня и высокой температуры. Воздействие огня или температуры выше 130 °C может привести к взрыву.

- Следуйте всем инструкциям по зарядке и не заряжайте аккумулятор и устройство при температуре, выходящей за пределы указанного диапазона. Если зарядка выполняется неправильно или в условиях неподходящей температуры, это может привести к повреждению аккумулятора и возгоранию.

РЕМОНТ

- Ремонт устройства должен производиться квалифицированным специалистом с использованием только идентичных запасных частей. Это обеспечит безопасную работу устройства.
- Никогда не выполняйте обслуживание поврежденного аккумулятора. Обслуживание аккумуляторов должно выполняться только производителем или в авторизованном сервисном центре.

ПРЕДУПРЕЖДЕНИЯ ПО ТЕХНИКЕ БЕЗОПАСНОСТИ ПРИ ИСПОЛЬЗОВАНИИ ВОЗДУХОДУВКИ-ПЫЛЕСОСА

- Не используйте устройство при плохих погодных условиях, особенно в грозу. Это позволит снизить риск удара молнией.
- Регулярно проверяйте мусоросборник на наличие признаков износа или повреждений. Изношенный или поврежденный мусоросборник может увеличить риск получения травмы.
- Используйте защиту для глаз и ушей. Подходящее защитное снаряжение уменьшает риск получения травм.
- Во время работы с устройством всегда носите нескользящую защитную обувь. Не работайте с устройством босиком или в открытых сандалиях. Это снижает риск травмирования ног.
- Не носите свободную одежду и такие предметы, как шарфы, шнуры, цепочки, галстуки и т. д., которые могут попасть в воздухозаборники. Завяжите или закройте длинные волосы, чтобы они не попали в воздухозаборники. Если какие-либо из этих предметов попадут в воздухозаборники, это может увеличить риск получения травм.
- Не позволяйте посторонним находиться поблизости во время работы с устройством. Выбрасываемый мусор может увеличить риск получения травмы.

- Не используйте в режиме пылесоса без установленного мусоросборника. Выбрасываемые объекты могут увеличить риск получения травмы.
- Никогда не направляйте сопло воздуходувки на людей и животных или в сторону окон. Соблюдайте особую осторожность при сдувании мусора вблизи твердых предметов, таких как деревья, автомобили и стены, от которых мусор может от ricoшетить. Отбрасываемые предметы увеличивают риск повреждения имущества и получения травм.
- Не используйте устройство для сбора и сдувания горящих или дымящихся предметов, таких как сигареты, спички или горячий пепел. Эти источники воспламенения могут повысить риск возникновения пожара.
- Не пылесосьте воду и другие жидкости и не погружайте части устройства в жидкость. При попадании воды в устройство увеличивается риск поражения электрическим током.
- Не пылесосьте камни, гравий, металл и битое стекло. Колесо вентилятора может быть повреждено, что повышает риск получения травм.
- Не прикасайтесь к работающему вентилятору. Прежде чем снимать детали, которые могут открыть доступ к вентилятору, выключите устройство и дождитесь остановки вентилятора. Это снижает риск травм от движущихся частей.
- Перед извлечением застрявшего материала и выполнением обслуживания устройства убедитесь, что выключатель питания находится в выключенном положении. Случайная активация устройства при извлечении застрявшего материала или обслуживании может привести к серьезным травмам.

RU

ПЕРЕД ИСПОЛЬЗОВАНИЕМ УСТРОЙСТВА ПРОЧИТАЙТЕ ВСЕ ИНСТРУКЦИИ!

ОБУЧЕНИЕ

- Не позволяйте использовать данное устройство детям, лицам с пониженными физическими, сенсорными или умственными способностями или имеющими недостаточный опыт или знания либо людям, не знакомым с этими инструкциями.

- Оператор или владелец несут ответственность за несчастные случаи и ущерб, нанесенный другим людям или их имуществу.

ПОДГОТОВКА

- Данное устройство можно использовать под дождем и во влажных условиях. После завершения работы высушите устройство.
- Перед использованием проверьте батареи и аккумуляторы на наличие повреждений. Не используйте устройство, если батареи или аккумуляторы повреждены.

ИСПОЛЬЗОВАНИЕ

- Данное устройство можно использовать под дождем и во влажных условиях. После завершения работы высушите устройство.
- Всегда извлекайте аккумуляторы из устройства в следующих случаях:
 1. когда отходите от устройства;
 2. перед очисткой засорения;
 3. перед проверкой, очисткой или ремонтом устройства;
 4. если устройство начало сильно вибрировать.
- На склонах всегда следите за тем, чтобы находиться в устойчивом положении.
- Передвигайтесь шагом, не бегайте.
- Следите за чистотой вентиляционных отверстий.
- Работайте с устройством только в допустимое время — не слишком рано утром и не слишком поздно вечером, чтобы не беспокоить других людей.
- Слегка смочите обрабатываемую территорию в условиях запыленности или используйте мелкокапельный опрыскиватель.

ПРЕДУПРЕЖДЕНИЕ. Осторожно, вращающиеся части!

- Используйте максимальную длину насадки, чтобы воздушный поток действовал ближе к земле.
- Не используйте устройство вблизи открытых окон и т. д.

ОБСЛУЖИВАНИЕ И ХРАНЕНИЕ

- Следите за тем, чтобы все гайки, болты и винты были плотно затянуты — это обеспечит безопасную работу устройства.

- Заменяйте изношенные или поврежденные детали.
- Используйте только оригинальные запчасти и аксессуары.
- Храните устройство в сухом месте.

⚠ ПРЕДУПРЕЖДЕНИЕ. Чтобы уменьшить риск пожара, поражения электрическим током или травмы, соблюдайте следующие требования.

ВАЖНО!

ВНИМАТЕЛЬНО ПРОЧИТАЙТЕ ПЕРЕД ИСПОЛЬЗОВАНИЕМ.

СОХРАНИТЕ ЭТО РУКОВОДСТВО ДЛЯ ИСПОЛЬЗОВАНИЯ В БУДУЩЕМ.

- Устройство не должно использоваться в качестве игрушки. Будьте очень внимательны, когда дети пользуются устройством или находятся рядом с ним.
- Если устройство не работает должным образом, если оно падало (в том числе в воду) или было повреждено, доставьте его в сервисный центр.
- Не помещайте посторонние предметы в отверстия устройства. Не используйте устройство, если какие-либо его отверстия заблокированы. Отверстия должны быть свободны от пыли, пуха, волос и других загрязнений, которые могут уменьшить поток воздуха.
- Соблюдайте особую осторожность при уборке на лестницах.
- Не оставляйте устройство без присмотра, если к нему подключен аккумулятор. Извлекайте аккумулятор перед обслуживанием устройства, а также если оно не используется.
- Не прикасайтесь мокрыми руками к заряженному устройству, в том числе вилке и контактам.
- Не заряжайте аккумуляторную батарею на открытом воздухе.

⚠ ПРЕДУПРЕЖДЕНИЕ.

- Прежде чем выбрасывать устройство, необходимо извлечь аккумулятор.
- Аккумулятор необходимо утилизировать безопасным способом.
- НЕ пытайтесь очищать устройство, если из него не извлечен аккумулятор.

- Следите за тем, чтобы устройство и его рукоятка были сухими и чистыми и на них не было масла или смазочного материала. Всегда используйте чистую ткань для очистки. Никогда не используйте для очистки устройства тормозную жидкость, бензин, нефтепродукты и любые сильные растворители. Соблюдение данного правила позволяет снизить риск потери контроля и повреждения пластика корпуса.
- Аккумуляторы выделяют газообразный водород и могут взрываться при наличии источника зажигания, например запальника. Чтобы уменьшить риск получения серьезной травмы, никогда не используйте беспроводные устройства вблизи открытого пламени. Взорвавшийся аккумулятор выделяет загрязнения и химикаты. При попадании на кожу немедленно промойте водой.
- Никогда не используйте устройство без установленного надлежащего оборудования. Всегда следите за тем, чтобы трубка устройства была установлена.
- Никогда не используйте устройство вблизи огня или горячей золы. Использование устройства вблизи огня или золы может привести к распространению огня, серьезным травмам и/или повреждению имущества.
- Никогда не используйте устройство для распыления химикатов, удобрений и других токсичных веществ. Распыление этих веществ может привести к серьезным травмам оператора или окружающих.
- Сохраните настоящую инструкцию. Регулярно просматривайте ее и предоставляйте для ознакомления другим пользователям. Одалживая кому-либо устройство, передайте также данную инструкцию для предотвращения неправильного использования и возможных травм.

СОХРАНИТЕ ДАННУЮ ИНСТРУКЦИЮ!

ТЕХНИЧЕСКИЕ ХАРАКТЕРИСТИКИ

Номинальное напряжение		56 В ---
Воздуходувка	Макс. объем воздуха	850 м ³ /ч
	Макс. скорость воздушного потока	64 м/с (с трубкой воздуходувки) 93 м/с (с конической насадкой)
	Макс. сила выдувания	15 Н
Емкость мешка для листьев		40 л
Макс. коэффициент измельчения		16 : 1
Масса (без аккумулятора и насадки)		5,8 кг (пылесос) 4,2 кг (воздуходувка)
Рекомендуемая рабочая температура		От -15 до 40 °C
Рекомендуемая температура хранения		От -20 до 70 °C
Рекомендуемая температура зарядки		От 5 до 40 °C
Измеренный уровень звуковой мощности, L _{WA}		100 дБ (A) K=1.9 дБ (A)
Уровень звукового давления в рабочем состоянии, L _{PA}		88 дБ (A) K=3 дБ (A)
Гарантированный уровень звуковой мощности, L _{WA} (согласно 2000/14/ЕС)		102 дБ (A)
Вибрация a _n		Макс. 1,80 м/с ² K= 1,5 м/с ²

RU

- Указанное общее значение вибрации было определено с помощью стандартного теста и может быть использовано для сравнения разных инструментов.
- Указанное общее значение вибрации также может использоваться для предварительной оценки уровня воздействия.

ПРИМЕЧАНИЕ. Реальное вибрационное воздействие

электроинструмента может отличаться от указанного в зависимости от способа использования. В целях безопасности оператор должен надевать перчатки и средства защиты органов слуха во время использования устройства.

КОМПЛЕКТ ПОСТАВКИ (РИС. А1)

ОПИСАНИЕ

ЧАСТИ ВОЗДУХОДУВКИ-ПЫЛЕСОСА (Рис. А1)

1. Насадка пылесоса
2. Трубка пылесоса
3. Ручка для переноски в режиме пылесоса
4. Решетка воздухозаборника
5. Передняя рукоятка
6. Кнопка фиксации аккумулятора
7. Регулятор скорости/блокировки
8. Крепление наплечного ремня
9. Основная рукоятка
10. Курок скорости подачи воздуха
11. Мешок для листьев
12. Наплечный ремень
13. Электрические контакты
14. Защелка
15. Трубка воздуходувки
16. Коническая насадка

RU

СБОРКА

⚠ ПРЕДУПРЕЖДЕНИЕ. Если какие-либо части повреждены или отсутствуют, не используйте устройство, пока они не будут установлены. Использование устройства в случае повреждения или отсутствия частей может привести к получению серьезной травмы.

⚠ ПРЕДУПРЕЖДЕНИЕ. Не пытайтесь изменить конструкцию устройства или создать не рекомендованные для него дополнительные приспособления. Подобное изменение считается ненадлежащим использованием и способствует возникновению опасной ситуации, которая приведет к получению серьезной травмы.

⚠ ПРЕДУПРЕЖДЕНИЕ. Чтобы предотвратить случайное включение устройства и получение серьезной травмы, перед сборкой извлеките

аккумулятор.

ПРИМЕЧАНИЕ. Устройство нельзя запустить, пока трубка воздуходувки или узел пылесоса и мешок для листьев не будут полностью и правильно собраны.

УСТАНОВКА И ИЗВЛЕЧЕНИЕ ТРУБКИ ВОЗДУХОДУВКИ

Установка (Рис. В1 и В2)

Совместите пазы и наденьте трубку на корпус воздуходувки таким образом, чтобы рычаг блокировки трубки защелкнулся.

В-1	Рычаг блокировки трубки воздуходувки
-----	--------------------------------------

Извлечение (Рис. В3)

Нажмите на рычаг блокировки воздуходувки, чтобы открыть зажим, а затем извлеките трубку.

УСТАНОВКА И ИЗВЛЕЧЕНИЕ КОНИЧЕСКОЙ НАСАДКИ

Установка (Рис. С1 и С2)

Совместите паз конической насадки с фиксатором трубки и вставьте ее до щелчка.

Извлечение (Рис. С3)

Нажмите и удерживайте кнопку извлечения насадки, чтобы открыть зажим, затем снимите насадку с трубки воздуходувки.

УСТАНОВКА И ИЗВЛЕЧЕНИЕ УЗЛА ПЫЛЕСОСА

Установка насадки пылесоса (Рис. D)

ПРИМЕЧАНИЕ. После соединения насадки пылесоса с трубкой пылесоса они становятся единым узлом, который невозможно разобрать.

Совместите пазы и наденьте насадку на трубку пылесоса таким образом, чтобы кнопка блокировки насадки зафиксировалась на месте.

Установка узла пылесоса

1. Нажмите на рычаг блокировки трубки пылесоса, чтобы освободить решетку воздухозаборника, а затем откройте решетку (Рис. E1 и E2).

E-1	Рычаг блокировки трубки пылесоса
-----	----------------------------------

2. Совместите два приподнятых квадратных угла на узле пылесоса с двумя углубленными квадратными пазами на воздухозаборнике, как показано на Рис. E3, чтобы закрепить узел.
3. Прижмите узел пылесоса к воздухозаборнику таким образом, чтобы рычаг блокировки трубки пылесоса защелкнулся (Рис. E4).
4. Прижмите решетку воздухозаборника к узлу пылесоса (Рис. E5).

Установка мешка для листьев (Рис. F)

1. Совместите пазы и наденьте соединитель мешка для листьев на корпус пылесоса таким образом, чтобы рычаг блокировки мешка защелкнулся.

F-1	Соединитель для мешка для листьев	F-3	Петля мешка для листьев
F-2	Рычаг блокировки мешка для листьев		

2. Повесьте петлю мешка для листьев на крюк узла пылесоса, как показано на Рис. F.

Извлечение и опорожнение мешка для листьев (Рис. G1)

1. Снимите петлю мешка для листьев с крюка узла пылесоса.
2. Нажмите на рычаг блокировки мешка для листьев, чтобы открыть зажим, а затем извлеките мешок.
3. Растяните молнию, чтобы опорожнить мешок для листьев.

G-1	Молния
-----	--------

Снятие узла пылесоса (Рис. G2 и G3)

1. Нажмите на рычаг блокировки трубки пылесоса, чтобы разблокировать трубку.
2. Снимите узел пылесоса.
3. Нажмите на решетку воздухозаборника по направлению к воздухозаборнику, чтобы рычаг блокировки защелкнулся.

УСТАНОВКА НАПЛЕЧНОГО РЕМНЯ (Рис. H)

Нажмите на карабины ремня, чтобы открыть их, и прикрепите к петлям на каждом конце устройства.

Существует два способа отсоединения ремня. Снимите его непосредственно с плеча или нажмите на один из карабинов, чтобы отсоединить от петли.

⚠ ПРЕДУПРЕЖДЕНИЕ. При использовании ремня никакие другие носимые устройства не должны мешать освобождению и снятию ремня.

⚠ ПРЕДУПРЕЖДЕНИЕ. В случае возникновения чрезвычайной ситуации немедленно снимите ремень с плеча любым способом.

⚠ ПРЕДУПРЕЖДЕНИЕ. Не используйте одинарный и двойной наплечные ремни одновременно.

⚠ ПРЕДУПРЕЖДЕНИЕ. Не используйте плечевой ремень и соединение с рюкзаком BH1000 EGO одновременно. Это препятствует быстрому аварийному освобождению от устройства и может привести к травмам.

ИСПОЛЬЗОВАНИЕ

RU

⚠ ПРЕДУПРЕЖДЕНИЕ. Не допускайте небрежности и беспечности при работе с устройством. Помните, что потери бдительности на долю секунды достаточно для получения серьезной травмы.

⚠ ПРЕДУПРЕЖДЕНИЕ. Всегда надевайте защитные очки с боковыми щитками, а также используйте защиту органов слуха. В противном случае выбрасываемые предметы могут попасть в глаза, что приведет к получению серьезной травмы.

⚠ ПРЕДУПРЕЖДЕНИЕ. Чтобы предотвратить случайное включение устройства и получение серьезной травмы, извлекайте аккумулятор перед выполнением сборки, регулировки и очистки, а также когда устройство не используется.

⚠ ПРЕДУПРЕЖДЕНИЕ. Не используйте насадки или дополнительные приспособления, не рекомендованные производителем устройства. Использование нерекондованных насадок и дополнительных приспособлений может привести к серьезным травмам.

Перед каждым использованием полностью проверяйте устройство на наличие поврежденных, отсутствующих или плохо закрепленных частей, таких как винты, гайки, болты, заглушки и т. д. Надежно закрепите все фиксаторы и заглушки и не пользуйтесь устройством до тех пор, пока не будут заменены поврежденные или отсутствующие части.

ПРИМЕНЕНИЕ

Данное устройство можно использовать в следующих случаях.

- Для сбора листьев, скошенной травы и другого мусора.
- Для очистки твердых поверхностей, таких как подъездные пути и дорожки.
- Для очистки поверхностей и подъездных путей от листьев.

ПРИМЕЧАНИЕ. Инструмент должен использоваться только по назначению. Любое другое использование, кроме упомянутого, считается ненадлежащим.

УСТАНОВКА И СНЯТИЕ АККУМУЛЯТОРА

Используйте только аккумуляторы и зарядные устройства EGO, указанные на Рис. A2.

ПРИМЕЧАНИЕ. Перед первым использованием полностью зарядите аккумулятор.

RU

Установка

Совместите ребра аккумулятора с крепежными отверстиями и вставьте аккумулятор до щелчка (Рис. I1).

Снятие (Рис. I2)

Нажмите кнопку фиксации аккумулятора и извлеките аккумулятор (Рис. I2).

⚠ ПРЕДУПРЕЖДЕНИЕ. Всегда следите за положением своих ног, а за также за местонахождением детей и животных, когда нажимаете на кнопку фиксации аккумулятора. Падение аккумулятора может привести к серьезным травмам. НИКОГДА не извлекайте аккумулятор, если находитесь на возвышенности.

ВКЛЮЧЕНИЕ И ВЫКЛЮЧЕНИЕ УСТРОЙСТВА

Только курок скорости подачи воздуха

1. Нажмите на курок, чтобы включить устройство.
2. Скорость воздушного потока устройства контролируется с помощью курка скорости подачи воздуха. Чем сильнее нажатие на курок, тем выше скорость воздуха. Чем слабее нажатие на курок, тем скорость воздуха ниже. Отрегулируйте скорость в соответствии с выполняемой задачей.
3. Отпустите курок, чтобы выключить устройство.

Только регулятор скорости/блокировки

Устройство может быть заблокировано на одной из скоростей с помощью регулятора скорости/блокировки.

1. Поверните регулятор скорости/блокировки в сторону ближайшего крепления наплечного ремня, чтобы запустить устройство. Скорость воздуха будет увеличиваться по мере поворота регулятора, пока не достигнет максимальной скорости (MAX).
2. Чтобы уменьшить скорость потока воздуха, вращайте регулятор скорости/блокировки в обратную сторону.
3. Поверните регулятор скорости/блокировки в положение выключения (O), чтобы остановить устройство.

ПРИМЕЧАНИЕ. Если регулятор скорости/блокировки не был возвращен в положение выключения перед извлечением аккумулятора, устройство не запустится при установке заряженного аккумулятора. Эта защитная функция позволяет предотвращать случайные запуски. Нажмите на курок, чтобы отключить защиту и запустить устройство.

СОВЕТЫ ПО ИСПОЛЬЗОВАНИЮ ВОЗДУХОДУВКИ (Рис. К)

Для использования устройства в качестве воздуходувки следуйте инструкциям в разделе **СБОРКА**, чтобы установить узел пылесоса.

- Чтобы мусор не разлетался, направляйте поток воздуха от наружных краев кучи мусора. Никогда не направляйте поток воздуха непосредственно в центр кучи.
- Чтобы снизить уровень шума, ограничьте количество одновременно используемого электрооборудования.
- Используйте грабли и метлу, чтобы убрать мусор перед использованием воздуходувки. В пыльных условиях по возможности слегка увлажните поверхность.
- Экономьте воду, используя мощные воздуходувки вместо шлангов для садово-огородного применения, в том числе для очистки сточных канав, сеток и решеток, патио, мангалов, веранд и садов.
- Следите за тем, чтобы сдуваемый мусор не попадал на детей, домашних животных, в открытые окна и на свежевымытые автомобили.
- После использования воздуходувок и другого оборудования наведите порядок! Утилизируйте мусор надлежащим образом.

СОВЕТЫ ПО ИСПОЛЬЗОВАНИЮ ПЫЛЕСОСА (Рис. L)

Для использования устройства в качестве пылесоса следуйте инструкциям в разделе **СБОРКА**, чтобы установить узел пылесоса, мешок для листьев и наплечный ремень.

- Регулярно проверяйте мешок для листьев на наличие износа и повреждений.
- Во избежание образования пыли полностью застегните молнию мешка для листьев перед запуском устройства.
- Опорожняйте мешок для листьев до того, как он заполнится.
- Чтобы предотвратить попадание воды в устройство, используйте его для сбора влажных листьев с земли, но не из бассейна.
- Не допускайте попадания внутрь устройства полиэтиленовых пакетов, ткани и других предметов, которые нелегко разорвать и которые могут легко запутаться.
- Не допускайте попадания в устройство твердых материалов, таких как крупная древесная стружка, металл, стекло, камни и т. д.

ОБСЛУЖИВАНИЕ

⚠ ПРЕДУПРЕЖДЕНИЕ. При ремонте используйте только идентичные запасные части. Использование других запасных частей может привести к возникновению опасной ситуации или повреждению устройства. Для обеспечения безопасности и надежности устройства его ремонт должен выполнять квалифицированный специалист.

⚠ ПРЕДУПРЕЖДЕНИЕ. Во избежание травм всегда извлекайте аккумулятор из устройства перед чистой или обслуживанием.

ОБЩЕЕ ОБСЛУЖИВАНИЕ

Не используйте растворители для очистки пластиковых частей. Большинство пластиковых частей чувствительны к различным бытовым растворителям и могут быть повреждены. Для очистки от грязи, пыли, масла, смазки и т. п. используйте чистую ткань.

⚠ ПРЕДУПРЕЖДЕНИЕ. Не допускайте попадания на пластиковые части тормозной жидкости, бензина, продуктов на нефтяной основе, пропитывающих масел и т. д. Химические вещества могут повредить, ослабить или разрушить пластик, что приведет к получению серьезных травм.

ХРАНЕНИЕ

- Извлеките аккумулятор из устройства.
- Уберите все посторонние материалы из воздухозаборного отверстия устройства.
- Храните в закрытом, недоступном для детей месте. Храните вдали от источников коррозии, таких как садовые удобрения и техническая соль.

Защита окружающей среды



Не выбрасывайте электроприборы, зарядные устройства и аккумуляторные батареи вместе с бытовыми отходами!

Отправьте данное изделие на переработку в специализированное предприятие или сдайте его для отдельного сбора.

Электроинструменты должны быть возвращены на перерабатывающее предприятие, не наносящее ущерба окружающей среде.

RU

УСТРАНЕНИЕ НЕПОЛАДОК

ПРОБЛЕМА	ПРИЧИНА	РЕШЕНИЕ
Воздуходувка-пылесос не работает.	<ul style="list-style-type: none"> ■ Нет электрического контакта между воздуходувкой-пылесосом и аккумулятором. ■ Аккумулятор разряжен. ■ Аккумулятор или воздуходувка перегрелись. ■ Устройство собрано не полностью. 	<ul style="list-style-type: none"> ■ Извлеките аккумулятор, проверьте контакты и установите его снова. ■ Зарядите аккумулятор. ■ Дайте аккумулятору и воздуходувке-пылесосу остыть, пока температура не упадет ниже 67 °С. ■ Чтобы полностью и правильно собрать устройство, следуйте инструкциям в разделе «Сборка».
Znaczny spadek prędkości powietrza.	<ul style="list-style-type: none"> ■ Воздухозаборное отверстие засорилось. ■ Чрезмерный износ вентилятора двигателя. ■ Слишком много мусора в мешке для листьев. 	<ul style="list-style-type: none"> ■ Извлеките аккумуляторы, уберите засор. ■ Обратитесь в сервисный центр EGO для ремонта. ■ Опорожните мешок для листьев в соответствии с инструкциями в главе Извлечение и опорожнение мешка для листьев раздела СБОРКА.

RU

ГАРАНТИЯ

ГАРАНТИЙНАЯ ПОЛИТИКА EGO

Посетите веб-сайт egopowerplus.eu, чтобы ознакомиться со всеми условиями и сроками гарантийной политики EGO.

PRZECZYTAJ WSZYSTKIE INSTRUKCJE!



PRZECZYTAJ INSTRUKCJĘ OBSŁUGI

⚠ OSTRZEŻENIE: Aby zagwarantować bezpieczeństwo i niezawodność, wszystkie naprawy powinny być wykonywane przez wykwalifikowanych techników serwisu.

⚠ OSTRZEŻENIE: Przed użyciem narzędzia należy koniecznie przeczytać ze zrozumieniem wszystkie instrukcje dotyczące bezpieczeństwa podane w podręczniku użytkownika, łącznie z wszystkimi symbolami ostrzegawczymi takimi jak „NIEBEZPIECZEŃSTWO”, „OSTRZEŻENIE” i „OSTROŻNIE”. Niestosowanie się do wszystkich podanych niżej instrukcji może doprowadzić do porażenia prądem, pożaru i/lub poważnych urazów ciała.

WSZYSTKIE OSTRZEŻENIA I INSTRUKCJE NALEŻY ZACHOWAĆ NA PRZYSZŁOŚĆ.

SYMBOLE BEZPIECZEŃSTWA

⚠ OSTRZEŻENIE: Praca elektronarzędziami może spowodować wyrzucenie ciał obcych w oczy użytkownika, co może doprowadzić do poważnych urazów oczu. Przed rozpoczęciem pracy elektronarzędziem należy zawsze założyć gogle ochronne lub okulary z osłonami bocznymi, a w stosownych przypadkach także pełną osłonę na twarz. Zalecamy nakładanie na zwykłe okulary maski zabezpieczającej o szerokim polu widzenia lub stosowanie standardowych okularów zabezpieczających z osłonami bocznymi.

PL



Ostrzeżenie dotyczące bezpieczeństwa



Aby zmniejszyć ryzyko urazów, przed rozpoczęciem używania urządzenia, użytkownik musi przeczytać i zrozumieć instrukcję.



Podczas używania produktu należy zawsze nosić ochronnik słuchu.



Osoby postronne muszą stać w odległości co najmniej 15 m.



Gwarantowany poziom mocy akustycznej. Emisja hałasu do środowiska zgodnie z dyrektywą Wspólnoty Europejskiej.



Ten produkt jest zgodny z obowiązującymi dyrektywami WE.



Zużytych wyrobów elektrycznych nie należy wyrzucać razem ze zwykłymi odpadami domowymi. Należy je oddać do autoryzowanego punktu recyklingu.



Produkt jest zgodny z dyrektywami obowiązującymi w Wielkiej Brytanii.



Prąd stały

IPX4 Ochrona przed zachlapaniem wodą



Napięcie

./min Na minutę



Milimetr



n_0 Prędkość bez obciążenia

OGÓLNE WSKAZÓWKI DOTYCZĄCE BEZPIECZEŃSTWA UŻYWANIA MASZYNY

⚠ OSTRZEŻENIE: PROSIMY PRZECZYTAĆ WSZYSTKIE OSTRZEŻENIA I INSTRUKCJE ORAZ PRZESTUDIOWAĆ SPECYFIKACJĘ I ILUSTRACJE DOSTARCZONE WRAZ Z MASZYNĄ. Niestosowanie się do wszystkich podanych niżej instrukcji może doprowadzić do porażenia prądem, pożaru i/lub poważnych obrażeń.

WSZYSTKIE OSTRZEŻENIA I INSTRUKCJE NALEŻY ZACHOWAĆ NA PRZYSZŁOŚĆ.

Termin „maszyna” występujący w ostrzeżeniach dotyczy maszyny elektrycznej o zasilaniu sieciowym (przewodowej) lub akumulatorowym (bezprowodowej).

BEZPIECZEŃSTWO W MIEJSCU PRACY

- Należy dbać o czystość i dobre oświetlenie w miejscu pracy. Bałagan i złe oświetlenie sprzyjają wypadkom.
- Maszyn nie należy używać w miejscach zagrożonych wybuchem, np. w obecności łatwopalnych cieczy, gazów lub pyłu. Maszyny wytwarzają iskry, które mogą zapalić pył lub opary.
- W czasie pracy maszynę należy trzymać z dala od dzieci i osób postronnych. Chwila nieuwagi może spowodować utratę kontroli nad urządzeniem.

BEZPIECZEŃSTWO ELEKTRYCZNE

- Wtyczki maszyn muszą pasować do gniazdka. Nigdy w jakikolwiek sposób nie wolno przerabiać wtyczki. Do maszyn wymagających uziemienia nie należy używać przejściówek. Oryginalne wtyczki i pasujące do nich gniazdka zmniejszają ryzyko porażenia prądem.
- Należy unikać dotykania ciałem powierzchni uziemionych, takich jak np. rury, kaloryfery, kuchenki i lodówki. Uziemienie ciała zwiększa ryzyko porażenia prądem.
- Maszyny należy chronić przed deszczem i wilgocią. Woda dostająca się do maszyny zwiększa ryzyko porażenia prądem.
- Nie należy nadwyřęzać przewodu. Nigdy nie należy używać przewodu do noszenia lub ciągnięcia maszyny; nie wolno chwycić za przewód, aby wyjąć wtyczkę z kontaktu. Przewód należy chronić przed gorącym, ropą, olejem, ostrymi krawędziami i poruszającymi się częściami. Zapłażone lub uszkodzone przewody zwiększają ryzyko porażenia prądem.

- Podczas używania maszyny na dworze należy stosować przedłużacz nadający się do używania na dworze. Używanie przewodu przeznaczonego do stosowania na dworze zmniejsza ryzyko porażenia prądem.
- Jeżeli użycie maszyny w miejscu o dużej wilgotności jest nieuniknione, należy stosować zasilanie zabezpieczone wyłącznikiem różnicowoprądowym. Używanie wyłącznika różnicowoprądowego zmniejsza ryzyko porażenia prądem.

BEZPIECZEŃSTWO OSOBISTE

- Podczas używania maszyny należy zachowywać czujność, patrzeć, co się robi i kierować się zdrowym rozsądkiem. Nie należy używać maszyny, gdy użytkownik jest zmęczony, albo pod wpływem narkotyków, alkoholu lub leków. Chwila nieuwagi w czasie posługiwania się maszyną może spowodować poważne urazy.
- Należy używać środków ochrony osobistej. Należy zawsze nosić okulary ochronne. Stosowanie w odpowiednich warunkach sprzętu ochronnego takiego jak np. maska przeciwpyłowa, obuwie ochronne z podeszwami antypoślizgowymi, kask lub ochronniki słuchu zmniejsza ewentualne obrażenia.
- Nie należy dopuszczać do przypadkowego włączenia. Należy pilnować, aby przed podłączeniem maszyny do zasilania i/lub baterii akumulatorowej oraz przed podniesieniem i przenoszeniem przełącznik był ustawiony w pozycji „wyłączone”. Trzymanie palca na przełączniku włączającym w czasie przenoszenia maszyny lub podłączanie ich do zasilania, gdy przełącznik ustawiony jest w pozycji „włączone”, może doprowadzić do wypadku.
- Przed włączeniem maszyny należy usunąć wszystkie klucze regulacyjne i inne narzędzia. Klucz zaczepiony o obracającą się część maszyny może spowodować obrażenia.
- Nie należy sięgać za daleko. Należy zawsze dbać o utrzymanie równowagi i pewne podparcie nóg. W nieprzewidzianych sytuacjach zapewnia to lepszą kontrolę nad maszyną.
- Należy nosić odpowiednią odzież. Nie powinno się nosić luźnych ubrań ani biżuterii. Włosy i odzież należy trzymać w bezpiecznej odległości od poruszających się części. Luźne ubrania, biżuteria lub długie włosy mogą zaczepić się o poruszające się części.

- Jeżeli urządzenie jest przystosowane do podłączania do odsysacza pyłu i urządzenia zbierającego, należy dopilnować, aby systemy te były podłączone i właściwie stosowane. Używanie urządzeń służących do pochłaniania pyłu może zmniejszyć zagrożenia związane z pyłem.
- Nie wolno dopuścić do tego, aby poczucie znajomości maszyn wynikające z ich częstego używania doprowadziło do lekceważenia i ignorowania zasad bezpieczeństwa. Jedno lekkomyślne działanie może w ułamku sekundy doprowadzić do poważnych urazów.

UŻYWANIE I UTRZYMANIE MASZYNY

- Maszyny nie należy forsować. Należy używać maszyny odpowiedniej do wykonywanej pracy. Odpowiednia maszyna wykona pracę lepiej i bezpieczniej, gdy pozwoli się jej pracować z prędkością/obrotami do jakich została zaprojektowana.
- Nie należy używać maszyny, jeżeli przełącznik zasilania nie włącza jej lub nie wyłącza. Maszyna, której nie da się kontrolować przełącznikiem, jest potencjalnie niebezpieczna i wymaga naprawy.
- Przed jakąkolwiek regulacją, wymianą akcesoriów lub schowaniem maszyny należy wyjąć wtyczkę z gniazdka i/lub odłączyć od maszyny akumulator. Tego typu zapobiegawcze środki ostrożności zmniejszają ryzyko przypadkowego włączenia się maszyny.
- Nieużywane maszyny należy przechowywać w miejscu niedostępnym dla dzieci. Nie wolno dopuszczać do obsługi maszyn przez osoby, które nie znają maszyny lub nie zapoznały się z niniejszą instrukcją. W rękach nieprzeszkolonych użytkowników maszyny mogą stanowić zagrożenie.
- Maszyny i akcesoria należy utrzymywać w dobrym stanie. Należy kontrolować, czy części ruchome nie są odchylone od osi, nie zacinają się i nie są pęknięte lub uszkodzone w inny sposób, który mógłby wpłynąć na działanie maszyny. Jeśli maszyna jest uszkodzona, przed użyciem należy ją naprawić. Wiele wypadków wynika ze złej konserwacji maszyn.
- Należy dbać o czystość i naostrenie maszyn tnących. Odpowiednio utrzymane maszyny tnące z ostrymi krawędziami tnącymi są mniej narażone na zakleszczanie się i łatwiej jest je kontrolować.
- Maszyny, akcesoriów, wiertel, bitów, itp. należy używać zgodnie z niniejszą instrukcją, z uwzględnieniem warunków i rodzaju wykonywanej pracy. Korzystanie z maszyny niezgodnie z przeznaczeniem może doprowadzić do niebezpiecznych sytuacji.
- Należy dbać o to, aby uchwyty i powierzchnie do trzymania były suche, czyste i niezaplamiłone olejem lub smarem. Śliskie uchwyty nie pozwalają w bezpieczny sposób kontrolować maszyny w nieprzewidzianych sytuacjach.

UŻYWANIE I UTRZYMANIE MASZYNY AKUMULATOROWEJ

- Do ładowania należy używać wyłącznie ładowarki wskazanej przez producenta. Użycie ładowarki pochodzącej od jednego akumulatora do ładowania innego akumulatora grozi pożarem.
- Maszyny należy używać wyłącznie z dedykowanymi do nich akumulatorami. Użycie jakichkolwiek innych akumulatorów grozi obrażeniami i pożarem.
- Jeżeli akumulator nie jest używany, należy go przechowywać z dala od innych przedmiotów metalowych, np. spinaczy, monet, kluczy, gwoździ, śrub, wkrętów i innych drobnych przedmiotów metalowych, które mogłyby spowodować zwarcie wyprowadzeń akumulatora. Zwarcie wyprowadzeń akumulatora może doprowadzić do oparzeń lub pożaru.
- W niesprzyjających warunkach może dojść do wycieku cieczy z akumulatora. Należy wtedy unikać wszelkiego kontaktu z tą cieczą. W razie przypadkowego kontaktu ze skórą, zabrudzone miejsce należy obficie przemyć wodą. Jeżeli płyn dostanie się do oczu, należy dodatkowo zasięgnąć porady lekarza. Płyn wyciekający z akumulatora może powodować podrażnienie lub oparzenia.
- Nie należy używać akumulatorów lub maszyn, które są uszkodzone lub zostały poddane przeróbkom. Uszkodzone lub poddane przeróbkom akumulatory mogą zachowywać się w sposób nieprzewidywalny, co może doprowadzić do pożaru lub wybuchu lub stwarzać ryzyko urazów.
- Nie należy narażać akumulatora lub maszyny na kontakt z ogniem lub zbyt wysokimi temperaturami. Ogień lub temperatury przekraczające 130°C mogą doprowadzić do wybuchu.
- Należy przestrzegać wszystkich instrukcji ładowania. Nie należy ładować akumulatora lub maszyny poza przedziałem temperatur podanym w instrukcji. Ładowanie w sposób nieprawidłowy lub w temperaturze wykraczającej poza określony zakres może doprowadzić do uszkodzenia akumulatora i zwiększa ryzyko pożaru.

PL

SERWISOWANIE

- **Serwisowanie maszyny należy powierzać wykwalifikowanemu serwisantowi. Do naprawy należy używać wyłącznie części zamiennych identycznych z oryginalnymi.** Zapewni to bezpieczeństwo eksploatacji maszyny.
- **Uszkodzonych akumulatorów nie należy nigdy naprawiać.** Jakiegokolwiek czynności serwisowe przy akumulatorach powinny być wykonywane wyłącznie przez producenta lub pracowników autoryzowanego serwisu.

OSTRZEŻENIA DOTYCZĄCE BEZPIECZEŃSTWA UŻYWANIA ODKURZACZA/DMUCHAWY

- **Maszyny nie należy używać podczas niepogody, zwłaszcza zaś wtedy, gdy istnieje ryzyko uderzenia pioruna.** Zasada to ograniczyć ryzyko porażenia piorunem.
- **Należy często sprawdzać, czy worek na odpady nie jest zużyty lub uszkodzony.** Zużyty lub uszkodzony worek na odpady może zwiększać ryzyko obrażeń ciała.
- **Należy nosić środki ochrony oczu i uszu.** Odpowiedni sprzęt ochronny zmniejszy ryzyko obrażeń ciała.
- **Podczas używania maszyny należy zawsze nosić antypoślizgowe obuwie ochronne. Nie wolno używać narzędzia na bosą lub w otwartych sandałach.** Zmniejsza to ryzyko obrażeń stóp.
- **Nie należy nosić luźnej odzieży ani przedmiotów, takich jak szaliki, sznurki, łańcuszki, krawaty itp., które mogłyby zostać wciągnięte do wlotów powietrza.** Długie włosy należy związać lub zakryć, aby nie dostały się do wlotów powietrza. Jeśli którykolwiek z tych przedmiotów zostanie wciągnięty do wlotów powietrza, może to zwiększyć ryzyko obrażeń ciała.
- **W czasie pracy maszyną osoby postronne należy trzymać z daleka.** Wyrzucane odłamki mogą zwiększać ryzyko obrażeń ciała.
- **Nie używać w trybie odkurzania bez założonego worka na odpady.** Przedmioty wyrzucane w powietrze mogą zwiększać ryzyko obrażeń ciała.
- **Nigdy nie wolno kierować dyszy dmuchawy w stronę ludzi, zwierząt lub okien** Szczególną ostrożność należy zachować podczas wydmuchiwania śmieci w pobliżu obiektów stałych takich jak drzewa, samochody i ściany, od których

śmieci mogą się odbić rykoszetem. Przedmioty wyrzucane w powietrze mogą powodować szkody materialne i zwiększać ryzyko obrażeń ciała.

- **Maszyny nie wolno używać do zbierania lub przedmuchiwania płonących lub dymiących przedmiotów, takich jak papierosy, zapalki lub gorący popiół.** Tego typu źródła zapłonu mogą zwiększyć ryzyko pożaru.
- **Nie należy odkurzać wody ani innych płynów; żadnej części maszyny nie wolno zanurzać w płynach.** Dostanie się wody do maszyny może zwiększyć ryzyko porażenia prądem.
- **Nie odkurzać kamieni, żwiru, metalu ani stłuczonego szkła.** Wirlnik wentylatora może ulec uszkodzeniu i zwiększyć ryzyko obrażeń ciała.
- **Nie należy dotykać wentylatora, który się porusza.** Przed zdjęciem jakiegokolwiek części zapewniającej dostęp do wentylatora należy wyłączyć urządzenie i poczekać, aż wentylator się zatrzyma. Zmniejsza to ryzyko urazów spowodowanych ruchomymi częściami.
- **Podczas usuwania zablokowanego materiału lub serwisowania urządzenia należy upewnić się, że wyłącznik zasilania jest wyłączony.** Niespodziewane włączenie maszyny w czasie serwisowania lub usuwania zaklinowanych materiałów może doprowadzić do poważnych urazów ciała.

PRZED UŻYCIEM URZĄDZENIA NALEŻY PRZECZYTAĆ WSZYSTKIE INSTRUKCJE!

SZKOLENIE

- **W następujących przypadkach nigdy nie należy pozwalać używać tego urządzenia: dzieci, osoby o ograniczeniach fizycznych, czuciowych lub psychicznych, osoby bez odpowiedniego doświadczenia lub wiedzy oraz osoby, które nie zapoznały się z niniejszą instrukcją.**
- **Za wypadki lub szkody wyrządzone osobom trzecim i ich własności odpowiada operator lub użytkownik.**

PRZYGOTOWANIE

- **Maszyna może być używana w czasie deszczu lub w warunkach wysokiego poziomu wilgoci. Po zakończeniu pracy maszynę należy wysuszyć.**
- **Przed użyciem należy sprawdzić przewód zasilający i przedłużacz pod kątem uszkodzenia.** Nie należy używać urządzenia, jeżeli baterie lub akumulator są uszkodzone.

UŻYTKOWANIE

- Maszyna może być używana w czasie deszczu lub w warunkach wysokiego poziomu wilgoci. Po zakończeniu pracy maszynę należy wysuszyć.
- W następujących sytuacjach należy odłączyć baterie lub akumulator:
 1. Za każdym razem, gdy użytkownik zostawia maszynę;
 2. Przed usunięciem zatoru;
 3. Przed kontrolą, czyszczeniem lub wykonywaniem prac przy urządzeniu;
 4. Jeżeli urządzenie znacznie nietypowo drgać.
- Na pochyłościach należy zawsze dbać o zachowanie równowagi.
- Należy chodzić, a nie biegać.
- Należy dbać o czystość i drożność wszystkich wlotów powietrza układu chłodzenia.
- Narzędzia należy używać tylko o rozsądnych porach dnia – nie wcześniej rano i nie późno wieczór, gdy mogłoby to przeszkadzać innym ludziom.
- W warunkach znacznego zapylenia zaleca się lekko zwilżać oczyszczane powierzchnie lub używać przystawki nawilżającej.

⚠ OSTRZEŻENIE: Uwaga na obracające się części!

- Należy używać pełnego przedłużenia dyszy maszyny, tak aby doprowadzać strumień powietrza blisko ziemi.
- Nie należy używać maszyny w pobliżu otwartych okien, itp.

KONSERWACJA I PRZECHOWYWANIE

- Należy dbać o to, aby wszystkie nakrętki, śruby i wkręty były dokręcone, tak aby urządzenie działało w sposób całkowicie bezpieczny.
- Zużyte lub uszkodzone części należy wymieniać.
- Należy używać wyłącznie oryginalnych części zamiennych i akcesoriów.
- Urządzenie należy przechowywać w suchym miejscu.

⚠ OSTRZEŻENIE: Aby ograniczyć ryzyko pożaru, porażenia prądem lub urazów:

WAŻNE

PRZED UŻYCIEM UWAŻNIE PRZECZYTAJ.

ZACHOWAJ NA PRZYSZŁOŚĆ.

- Nie wolno dopuścić do tego, aby maszyna była używana jako zabawka. Używanie urządzenia przez lub w pobliżu dzieci wymaga szczególnej uwagi.
- Jeżeli maszyna nie działa tak, jak powinna, została upuszczona, uszkodzona lub wpadła do wody, należy ją oddać do centrum serwisowego.
- Nie należy wkładać żadnych przedmiotów do otworów. Nie wolno używać urządzenia z zapchanymi otworami. Chronić przed kurzem, kłaczkami, włosami i wszystkim, co może zmniejszać przepływ powietrza.
- Szczególną ostrożność należy zachowywać podczas sprzątania na schodach.
- Gdy wtyczka akumulatora jest włożona do maszyny, maszyny nie należy zostawiać bez nadzoru. Gdy maszyna nie jest używana oraz przed serwisowaniem należy wyjąć z niej akumulator.
- Nie należy dotykać mokrymi rękoma ładowarki, w tym także jej wtyczki i wyprowadzeń.
- Akumulatora nie należy ładować na dworze.

⚠ OSTRZEŻENIE:

- Przed użyciem akumulator należy wyjąć z urządzenia.
- Akumulator należy zutilizować w sposób bezpieczny.
- **NIE NALEŻY** próbować odtkać urządzenia bez wcześniejszego wyjęcia z niego akumulatora.
- **Należy dbać o to, aby maszyna i jej uchwyty były suche, czyste i niezaplamione olejem lub smarem.** Do czyszczenia należy zawsze używać czystej ściereczki. Do czyszczenia maszyny nie należy nigdy stosować płynów hamulcowych, benzyny, produktów ropopochodnych lub jakichkolwiek innych silnych rozpuszczalników. Stosowanie tej zasady ograniczy ryzyko uszkodzenia plastikowej obudowy.
- **W przypadku pojawienia się źródła zapłonu takiego jak np. świeczka w podgrzewaczu do wody, akumulatory mogą wybuchnąć.** Aby ograniczyć ryzyko ciężkich urazów ciała, nigdy nie należy używać jakichkolwiek produktów bezprzewodowych w obecności otwartych płomieni. Wybuch akumulatora może spowodować wyrzucenie w powietrze odpadów i substancji chemicznych. W przypadku zetknięcia się z nimi, zabrudzone miejsce trzeba natychmiast przepłukać wodą.
- **Nigdy nie należy używać urządzenia bez zainstalowania właściwego osprzętu.** Należy zawsze pilnować, aby rura maszyny była zainstalowana.

PL

- **Nigdy nie należy używać maszyny w pobliżu ognia lub gorącego popiołu.** Używanie w pobliżu ognia lub popiołu może rozprzestrzenić ogień i doprowadzić do poważnych urazów i/lub strat materialnych.
- **Nigdy nie należy używać maszyny do rozprzeczania chemikaliów, nawozów lub jakichkolwiek innych substancji toksycznych.** Rozprzeczanie tych substancji może doprowadzić do ciężkich urazów operatora lub osób postronnych.
- **Niniejszą instrukcję należy zachować.** Zachęcamy do częstego korzystania z niej. Instrukcja może też posłużyć do przeszkolenia innych osób, które będą używały maszyny. Aby zapobiec niewłaściwemu użytkowaniu i możliwym urazom, jeśli maszyna zostanie komuś pożyczona, osobie tej należy również udostępnić niniejszą instrukcję.

PROSIMY ZACHOWAĆ NINIEJSZĄ INSTRUKCJĘ!

SPECYFIKACJA

PL

Napięcie znamionowe		56 V ---
Dmuchawa	Maksymalny strumień powietrza	850 m ³ /h
	Maksymalna prędkość powietrza	64 m/s (tylko z rurą dmuchawą) 93 m/s (z dyszą stożkową)
	Maksymalna siła nadmuchu	15 N
Pojemność torby na liście		40 litrów
Maks. stopień rozdrabniania		16 : 1
Masa (bez akumulatora i dyszy)		5.8 kg (odkurzacz) 4.2 kg (dmuchawa)
Zalecana temperatura użytkowania		-15°C-40°C
Zalecana temperatura przechowywania		-20°C-70°C
Zalecana temperatura ładowania		5°C-40°C
Zmierzony poziom mocy akustycznej L _{WA}		100 dB(A) K=1.9 dB(A)

Poziom ciśnienia akustycznego w pozycji pracy L _{PA}	88 dB(A) K=3 dB(A)
Gwarantowany poziom mocy akustycznej L _{WA} (zgodnie z dyrektywą 2000/14/WE)	102 dB(A)
Drgania a _n	Max. 1.80 m/s ² K=1.5 m/s ²

- Deklarowana całkowita wartość drgań została zmierzona zgodnie ze standardowymi metodami testowania i może służyć do porównywania różnych narzędzi.
- Deklarowana całkowita wartość drgań może również służyć do wstępnej oceny narażenia na drgań.

INFORMACJA: Emisja drgań podczas rzeczywistego stosowania elektronarzędzia może się różnić od deklarowanej wartości, w której narzędzie jest używane. Aby się zabezpieczyć, w rzeczywistych warunkach użytkowania użytkownik powinien nosić rękawice i nauszniki ochronne.

LISTA ELEMENTÓW W OPAKOWANIU (RYS. A1)

OPIS

ZAPOZNANIE SIĘ Z ODKURZACZEM DO LIŚCI (Rys. A1)

1. Dysza odkurzacza
2. Rura odkurzacza
3. Uchwyt do przenoszenia zespołu odkurzacza
4. Kratka wlotu powietrza
5. Uchwyt przedni
6. Przycisk odblokowujący akumulator
7. Pokrętko prędkości/blokady
8. Zaczep na pasek na ramię
9. Uchwyt główny
10. Spust prędkości powietrza
11. Torba na liście
12. Pasek na ramię
13. Styki elektryczne
14. Zatrzaśk
15. Rura dmuchawy
16. Dysza stożkowa

MONTAŻ

⚠ OSTRZEŻENIE: W przypadku braku lub uszkodzenia którejś z części nie należy włączać urządzenia aż do momentu wymiany lub naprawy części. Używanie urządzenia z uszkodzonymi częściami lub gdy którejś z części brakuje może doprowadzić do poważnych urazów ciała.

⚠ OSTRZEŻENIE: Nie należy próbować przerabiać urządzenia lub tworzyć akcesoriów, które nie są zalecane do używania w produkcie. Wszelkie tego typu zmiany lub modyfikacje są niedozwolone i mogą prowadzić do niebezpiecznych sytuacji oraz poważnych urazów ciała.

⚠ OSTRZEŻENIE: Aby zapobiec przypadkowemu włączeniu, które mogłoby spowodować urazy ciała, na czas mocowania części należy zawsze wyjmować z maszyny akumulator.

INFORMACJA: Dopóki rura dmuchawy lub zespół odkurzacza i torba na liście nie zostaną całkowicie i prawidłowo zamontowane, maszyny nie da się włączyć.

ZAKŁADANIE/ZDEJMOWANIE RURY DMUCHAWY

Zakładanie (Rys. B1 i B2)

Wyrównać względem siebie rowki i wcisnąć rurę na obudowę dmuchawy, aż dźwignia blokady rury dmuchawy zatrzaśnie się na miejscu.

B-1	Dźwignia blokady rury dmuchawy
-----	--------------------------------

Zdejmowanie (Rys. B3)

Należy nacisnąć dźwignię blokady rury dmuchawy, aby zwolnić zatrzask, a następnie zdjąć rurę.

ZAKŁADANIE/ZDEJMOWANIE DYSZY STOŻKOWEJ DMUCHAWY

Zakładanie (Rys. C1 i C2)

Należy dopasować rowek w dyszy stożkowej do pokręta rury i wcisnąć dyszę na rurę aż zaskoczy na miejsce.

Zdejmowanie (Rys. C3)

Należy nacisnąć i przytrzymać przycisk zwalnający dyszę, aby otworzyć zatrzask, a następnie pociągnąć i zsunąć dyszę z rury dmuchawy.

ZAKŁADANIE/ZDEJMOWANIE MODUŁU ODKURZACZA

Zakładanie dyszy odkurzacza (Rys. D)

UWAGA: Po pierwszym połączeniu dyszy ssącej i rury ssącej tworzą one jeden zespół ssący, którego nie można rozdzielić.

Należy dopasować rowki i wcisnąć dyszę na rurę odkurzacza, aż przycisk blokujący dyszę odkurzacza zatrzaśnie się na swoim miejscu.

Zakładanie modułu odkurzacza

1. Należy nacisnąć dźwignię blokady rury odkurzacza, aby zwolnić kratkę wlotu powietrza, a następnie otworzyć kratkę (Rys. E1 i E2).

E-1	Dźwignia blokady rury odkurzacza
-----	----------------------------------

2. Aby zamocować moduł, dopasować dwa wypukłe kwadratowe rogi na module odkurzacza do dwóch wgłębionych kwadratowych rowków na wlocie powietrza, tak jak pokazano na rys. E3.
3. Docisnąć moduł odkurzacza do wlotu powietrza tak, aby zatrzaśnięła się dźwignia blokady rury odkurzacza (Rys. E4).
4. Docisnąć kratkę wlotu powietrza do modułu odkurzacza (Rys. E5).

Zakładanie torby na liście (Rys. F)

1. Wyrównać względem siebie rowki i wcisnąć łączówkę torby na liście na obudowę odkurzacza, aż dźwignia blokady torby na liście zatrzaśnie się na miejscu.

F-1	Łączówka torby na liście	F-3	Pasek torby na liście
F-2	Dźwignia blokady torby na liście		

2. Zawiesić pasek torby na liście na zaczepie na module odkurzacza w sposób pokazany na rys. F.

Zdejmowanie i opróżnianie torby na liście (Rys. G1)

1. Zdjąć pasek torby na liście z zaczepu na module odkurzacza.
2. Nacisnąć dźwignię blokady torby na liście, aby zwolnić zatrzask, a następnie zdjąć torbę.
3. Otworzyć zamek błyskawiczny, aby opróżnić torbę na liście.

G-1	Zamek błyskawiczny
-----	--------------------

Zdejmowanie modułu odkurzacza (Rys. G2 i G3)

1. Nacisnąć dźwignię blokady rury odkurzacza, aby odblokować rurę.
2. Zdjąć moduł odkurzacza.
3. Docisnąć kratkę wlotu powietrza do wlotu powietrza aż do zatrzasknięcia się dźwigni blokady.

MONTAŻ PASKA NA RAMIĘ (Rys. H)

Należy nacisnąć karabińczyki paska, aby je otworzyć i zamocować je do zaczepów na pasek na obu końcach maszyny.

Pasek można rozpiąć na dwa sposoby. Zdjąć go bezpośrednio z ramienia lub wcisnąć karabińczyk i wypiąć pasek na ramię z zaczepu na pasek na ramię.

⚠ OSTRZEŻENIE: Podczas noszenia paska nie należy nosić niczego, co mogłoby przeszkadzać w odpięciu i zdjęciu paska.

⚠ OSTRZEŻENIE: W sytuacji awaryjnej pasek należy natychmiast zdjąć z ramion, niezależnie od sposobu jego założenia.

⚠ OSTRZEŻENIE: Nie należy używać jednocześnie paska zakładanego na jedno ramię i paska zakładanego na oba ramiona.

⚠ OSTRZEŻENIE: Nie należy jednocześnie używać paska na ramię i plecaka BH1000 EGO. Uniemożliwiłoby to szybkie awaryjne odpięcie maszyny, co mogłoby doprowadzić do urazów ciała.

UŻYTKOWANIE

⚠ OSTRZEŻENIE: Nie wolno dopuścić do tego, aby znajomość narzędzia doprowadziła do nieuwagi. Należy pamiętać, że do spowodowania poważnych obrażeń wystarczy zaledwie chwila nieuwagi.

⚠ OSTRZEŻENIE: Należy zawsze nosić środki ochrony oczu z osłonami bocznymi, a także środki ochrony uszu. Nieprzestrzeganie tego zalecenia może doprowadzić do poważnych obrażeń oczu odłamkiem lub skrawkiem materiału wyrzuconym przez pracujące narzędzie, a także grozi innymi możliwymi urazami.

⚠ OSTRZEŻENIE: Aby zapobiec przypadkowemu włączeniu, które mogłoby spowodować ciężkie urazy, na czas mocowania części, regulacji, czyszczenia lub gdy narzędzie nie jest używane, z narzędzia należy zawsze wyjmować akumulator.

⚠ OSTRZEŻENIE: Nie należy używać końcówek lub akcesoriów innych niż zalecane przez producenta produktu. Używanie końcówek lub akcesoriów innych niż zalecane może doprowadzić do poważnych obrażeń.

Przed każdym użyciem należy skontrolować cały produkt pod kątem uszkodzonych, brakujących lub obluźnianych części takich jak śruby, wkręty, nakrętki, nasadki itp. Wszystkie elementy połączeniowe i nasadki należy mocno dokręcić. Nie należy używać produktu zanim wszystkie brakujące lub uszkodzone części nie zostaną wymienione.

ZASTOSOWANIA

Urządzenia można używać wyłącznie do celów podanych poniżej:

- Zbieranie liści, skoszonej trawy i innych śmieci.
- Sprzątanie twardej powierzchni takich jak podjazdy i chodniki.
- Czyszczenie z liści tarasów i podjazdów.

INFORMACJA: Maszyny należy używać tylko do celów zgodnych z przeznaczeniem. Wszelkie inne zastosowania uznaje się za niezgodne z przeznaczeniem.

ZAKŁADANIE/WYJMOWANIE AKUMULATORA

Do urządzenia należy używać wyłącznie ładowarek i akumulatorów marki EGO wymienionych na Rys. A2.

UWAGA: Przed pierwszym użyciem akumulator należy całkowicie naładować.

Zakładanie

Należy dopasować żeberka akumulatora do szczelin mocujących i wsunąć akumulator do ładowarki aż da się słyszeć kliknięcie (Rys. I1).

Wyjmowanie (Rys. I2)

Należy wcisnąć przycisk odblokowujący akumulator i wysunąć akumulator (Rys. I2).

⚠ OSTRZEŻENIE: Gdy użytkownik naciska przycisk odblokowujący akumulator, należy mieć zawsze świadomość tego, gdzie znajdują się stopy użytkownika, dzieci i zwierzęta. Upuszczenie akumulatora może doprowadzić do poważnych urazów. NIGDY nie należy wyjmować akumulatora na znacznej wysokości.

WŁĄCZANIE/WYŁĄCZANIE MASZYNY

Tylko spust prędkości powietrza

1. Aby włączyć maszynę, należy wcisnąć spust prędkości powietrza.

2. Prędkość powietrza maszyny jest sterowana za pomocą spustu zmiennej prędkości. Większy nacisk na spust zwiększa prędkość strumienia powietrza; mniejszy nacisk na spust zmniejsza ją. Prędkość należy ustawić odpowiednio do wykonywanej pracy.
3. Aby wyłączyć maszynę, wystarczy puścić spust prędkości powietrza.

Tylko pokrętko prędkości/blokady

Za pomocą pokrętki prędkości/blokady maszynę można zablokować na dowolnym ustawieniu prędkości.

1. Aby włączyć maszynę, należy przekręcić pokrętko prędkości/blokady w stronę znajdującego się obok zaczepu na pasek na ramię. W miarę kręcenia pokrętkiem prędkość strumienia powietrza będzie rosła, aż osiągnie prędkość maksymalną (MAX).
2. Aby zmniejszyć prędkość strumienia powietrza, wystarczy przekręcić pokrętko prędkości/blokady w drugą stronę.
3. Aby wyłączyć maszynę, należy kontynuować kręcenie pokrętkiem prędkości/blokady w lewo aż do pozycji wyłączenia (O).

INFORMACJA: Jeśli przed wyjęciem akumulatora pokrętko prędkości/blokady nie zostanie przekręcone do pozycji wyłączenia, dmuchawa nie włączy się, gdy włożony zostanie naładowany akumulator. Jest to zabezpieczenie przed przypadkowym uruchomieniem. Aby wyłączyć zabezpieczenie i włączyć dmuchawę, należy puścić spust prędkości powietrza.

WSKAZÓWKI DOTYCZĄCE UŻYWANIA DMUCHAWY (Rys. K)

Aby używać maszyny jako dmuchawy, należy według instrukcji podanych w części **MONTAŻ** zainstalować moduł odkurzacza.

- Aby nie rozrzucać śmieci, należy omijać strumieniem powietrza z dmuchawy zewnętrzne krawędzie kucek śmieci. Nigdy nie należy kierować strumienia powietrza bezpośrednio w środek kupki śmieci.
- Aby ograniczyć poziom hałasu, należy ograniczyć liczbę jednocześnie używanych urządzeń energetycznych.
- Należy używać grabi i mioteł, aby przed użyciem dmuchawy wzruszyć zanieczyszczenia. Przy dużym zapyleniu, o ile tylko jest dostępna woda, dobrze jest lekko zwilżyć sprzątaną powierzchnię.
- Wodę należy oszczędzać: do wielu prac ogrodowych można zamiast węża używać dmuchawy, są to np. sprzątanie rynien, przegród, tarasów, bramek i ogrodów.
- Należy uważać na dzieci, zwierzęta domowe, otwarte okna i świeżo umyte samochody, zanieczyszczenia należy usuwać w bezpiecznej od nich odległości.

- Po zakończeniu używania dmuchaw i innych urządzeń, należy posprzątać! Odpady należy usunąć we właściwy sposób.

WSKAZÓWKI DOTYCZĄCE UŻYWANIA ODKURZACZA (Rys. L)

Aby używać urządzenia jako odkurzacza, należy według instrukcji podanych w części **MONTAŻ** zainstalować moduł odkurzacza, torbę na liście i pasek na ramię.

- Należy regularnie sprawdzać, czy torba na liście nie jest zużyta lub zniszczona.
- Aby uniknąć wzbijania kurzu, przed włączeniem maszyny należy całkowicie zapiąć zamek błyskawiczny torby na liście.
- Torbę na liście należy opróżniać jeszcze zanim się ona całkowicie zapelni.
- Aby nie dopuścić do dostania się wody do maszyny, maszyny należy używać do zbierania mokrych liści z ziemi, ale nie z basenu.
- Nie należy dopuszczać do zasysania przez maszynę torebek plastikowych, tkanin i innych przedmiotów trudnoślukających się, które mogłyby łatwo zaplać się w maszynie.
- Nie należy dopuszczać do zasysania przez maszynę twardych materiałów, takich jak duże ścinki drewna, kawałki metalu, szkło, kamyki itp.

PL

KONSERWACJA

⚠ OSTRZEŻENIE: Do serwisowania należy używać wyłącznie części zamiennych identycznych z oryginalnymi. Używanie jakichkolwiek innych części stwarza ryzyko i może spowodować usterkę produktu. Aby zagwarantować bezpieczeństwo i niezawodność, wszystkie naprawy powinny być wykonywane przez wykwalifikowanych techników serwisu.

⚠ OSTRZEŻENIE: Aby uniknąć poważnych obrażeń ciała, na czas czyszczenia lub wykonywania prac konserwacyjnych należy zawsze wyjmować z urządzenia akumulator.

KONSERWACJA OGÓLNA

Podczas czyszczenia części plastikowych należy unikać używania rozpuszczalników. Pod wpływem kontaktu z różnego rodzaju rozpuszczalnikami dostępnymi w handlu większość tworzyw może ulec uszkodzeniu. Do usuwania zabrudzeń, kurzu, oleju, smaru itp. należy używać czystych ściereczek.

⚠ OSTRZEŻENIE: Nigdy nie należy dopuszczać do zetknięcia się części plastikowych z substancjami takimi jak płyn hamulcowy, benzyna, produkty ropopochodne, oleje penetrujące itp. Substancje chemiczne mogą uszkodzić, osłabić lub zniszczyć tworzywa, co może w konsekwencji spowodować poważne obrażenia.

PRZECHOWYWANIE

- Z maszyny należy wyjąć akumulator.
- Z maszyny i jej wlotów powietrza należy usunąć wszystkie zanieczyszczenia.
- Przechowywać w zamkniętych pomieszczeniach, w miejscu niedostępnym dla dzieci. Narzędzie należy chronić przed żrącymi substancjami takimi jak chemia ogrodnicza i sól do usuwania lodu.

Ochrona środowiska



Urządzeń elektrycznych, zużytych akumulatorów i ładowarki nie należy wyrzucać do zwykłych zmieszanych śmieci domowych!

Produkt należy oddać do zbiórki selektywnej w autoryzowanym punkcie recyklingu. Elektronarzędzia należy oddawać do przyjaznego dla środowiska zakładu recyklingu.

PL

ROZWIĄZYWANIE PROBLEMÓW

PROBLEM	PRZYCZYNA	ROZWIĄZANIE
Odkurzacz do liści nie działa.	<ul style="list-style-type: none"> ■ Odkurzacz do liści i akumulator nie kontaktują. ■ Akumulatora jest rozładowany. ■ Akumulator lub dmuchawa jest zbyt gorący/-a. ■ Maszyna nie jest w pełni złożona. 	<ul style="list-style-type: none"> ■ Wyjąć akumulator, sprawdzić styki i włożyć akumulator z powrotem. ■ Naładować akumulator. ■ Ostudzić akumulator i odkurzacz do liści do temperatury poniżej 67°C. ■ Aby całkowicie i prawidłowo złożyć maszynę, należy postępować zgodnie z instrukcjami podanymi w części Montaż.
Znaczny spadek prędkości powietrza.	<ul style="list-style-type: none"> ■ Wlot powietrza jest zapchany odpadami. ■ Przeciążenie silnika. ■ W torbie na liście jest za dużo zanieczyszczeń. 	<ul style="list-style-type: none"> ■ Wyjąć akumulatory i wyczyścić/usunąć odpady. ■ Skontaktować się z punktem serwisowym EGO w celu dokonania naprawy. ■ Opróżnić torbę na liście zgodnie z instrukcjami podanymi w części Zdejmowanie i opróżnianie torby na liście w części MONTAŻ.

PL

GWARANCJA

POLITYKA GWARANCYJNA EGO

W celu zapoznania się z wszystkimi warunkami polityki gwarancyjnej EGO prosimy wejść na stronę egopowerplus.eu.

PŘEČTĚTE SI VŠECHNY POKYNY!



PŘEČTĚTE SI NÁVOD K OBSLUZE

VAROVÁNÍ: Z důvodu zajištění bezpečnosti a spolehlivosti musí všechny opravy provádět kvalifikovaný servisní technik.

VAROVÁNÍ: Před použitím tohoto nářadí si přečtěte a seznámte se se všemi bezpečnostními pokyny uvedenými v tomto návodu k obsluze včetně veškerých výstražných symbolů jako např. „**NEBEZPEČÍ**“, „**VAROVÁNÍ**“ a „**UPOZORNĚNÍ**“. Nedodržení níže uvedených pokynů může mít za následek úraz elektrickým proudem, požár anebo vážná zranění osob.

VŠECHNA VAROVÁNÍ A POKYNY USCHOVEJTE PRO BUDOUCÍ POUŽITÍ.

BEZPEČNOSTNÍ SYMBOLY

VAROVÁNÍ: Při použití elektrického nářadí může dojít k vymrštění cizích těles do očí, což může způsobit jejich závažné poškození. Před použitím elektrického nářadí si vždy nasadte ochranné brýle, ochranné brýle s bočními kryty nebo v případě potřeby obličejový štít. Na brýle nebo standardní ochranné brýle s bočními kryty doporučujeme použít ochrannou masku.

CZ



Bezpečnostní upozornění



Při práci s tímto výrobkem vždy používejte ochranu sluchu a očí.



Garantovaná hladina akustického výkonu. Emise hluku do prostředí dle směrnice Evropského společenství.



Odpadní elektrické výrobky se nesmí likvidovat s domovním odpadem. Odevzdejte je do autorizovaného recyklačního střediska.



Stojnosměrný proud



Napětí



Milimetr



Z důvodu snížení nebezpečí úrazu si musí uživatel před použitím tohoto výrobku přečíst návod k obsluze a porozumět mu.



Udržujte ostatní osoby ve vzdálenosti aspoň 15 m.



Tento výrobek je v souladu s platnými směrnici ES.



Tento výrobek je v souladu s platnými předpisy ve Spojeném království.



Ochrana před stříkající vodou



Za minutu



Rychlost při chodu naprázdno

VŠEOBECNÁ BEZPEČNOSTNÍ UPOZORNĚNÍ PRO STROJ

VAROVÁNÍ: PŘEČTĚTE SI VŠECHNY BEZPEČNOSTNÍ VÝSTRAHY, POKYNY, ILUSTRACE A TECHNICKÉ ÚDAJE DODANÉ S TÍMTO STROJEM. Nedodržení všech níže uvedených pokynů může vést k úrazu elektrickým proudem, požáru anebo vážnému úrazu.

VŠECHNA VAROVÁNÍ A POKYNY USCHOVEJTE PRO BUDOUCÍ POUŽITÍ.

Výraz „stroj“ v upozorněních označuje stroj napájený ze sítě (kabelový) nebo bateriový (akumulátorový).

BEZPEČNOST NA PRACOVIŠTI

- Udržujte pracovní prostor v čistotě a dobře osvětlený. Nepořádek nebo neosvětlené pracovní oblasti bývají příčinou úrazů.
- Nepoužívejte stroje ve výbušném prostředí, například v přítomnosti hořlavých kapalin, plynů nebo prachu. Stroje jsou zdrojem jiskření, které může zapálit prach nebo výpary.
- Při práci se strojem udržujte děti a přihlízející osoby v bezpečné vzdálenosti. Nesoustředěnost může způsobit ztrátu kontroly.

ELEKTRICKÁ BEZPEČNOST

- Zástrčky stroje musí odpovídat zásuvce. V žádném případě nikdy neupravujte zástrčku. Nepoužívejte žádné adaptérové zástrčky s uzemněnými stroji. Neupravené zástrčky a vhodné zásuvky snižují riziko úrazu elektrickým proudem.
- Zabraňte kontaktu těla s uzemněnými povrchy, jako jsou potrubí, radiátory, sporáky a ledničky. Existuje zvýšené riziko úrazu elektrickým proudem, pokud je vaše tělo uzemněno.
- Nevystavujte stroje dešti nebo mokrú. Voda vnikající do stroje zvyšuje riziko úrazu elektrickým proudem.
- Nepoužívejte kabel nevhodným způsobem. Nikdy nepoužívejte kabel k přenášení, vytahování nebo odpojování stroje z elektrické sítě. Udržujte kabel daleko od tepla, oleje, ostrých hran nebo pohyblivých částí. Poškozené nebo spletené kabely zvyšují riziko úrazu elektrickým proudem.
- Při práci se strojem venku používejte prodlužovací kabel vhodný pro venkovní použití. Použití kabelu vhodného pro venkovní použití snižuje riziko úrazu elektrickým proudem.
- Pokud musíte se strojem pracovat ve vlhkém

prostředí, použijte přerušovač zemního spojení. Použití přerušovače zemního obvodu (GFCI) snižuje riziko úrazu elektrickým proudem.

BEZPEČNOST OSOB

- Při práci se strojem buďte stále pozorní, sledujte, co děláte a používejte zdravý rozum. Nepoužívejte stroj, jste-li unavení nebo pod vlivem drog, alkoholu nebo léků. Jediná chvilka nepozornosti při práci se strojem může mít za následek vážný úraz.
- Používejte osobní ochranné pracovní prostředky. Vždy používejte ochranu očí. Ochranné pomůcky, jako např. respirátor, protiskluzová bezpečnostní obuv, pevná přilba nebo chrániče sluchu používané ve vhodném prostředí sniží riziko úrazu.
- Zabraňte náhodnému spuštění. Před připojením ke zdroji napětí a/nebo akumulátoru, zvedáním nebo přenášením stroje se ujistěte, že vypínač je ve vypnuté poloze. Přenášení strojů s prstem na spínači nebo zapínání strojů se zapnutým spínačem vybízí k nehodám.
- Před zapnutím stroje odstraňte seřizovací klíče nebo nářadí. Nářadí nebo klíč, který zůstane upevněn k otáčející se části stroje, může způsobit zranění.
- Nepřesahujte. Vždy udržujte pevný postoj a rovnováhu. To umožní lepší ovládání stroje v nečekaných situacích.
- Používejte vhodný oděv. Nenoste volný oděv ani šperky. Udržujte vlasy a oděv mimo dosah pohyblivých částí. Volný oděv, šperky nebo dlouhé vlasy se mohou zachytit do pohyblivých částí.
- Pokud je zařízení vybaveno adaptérem pro připojení odsávání prachu a sběrnými zařízeními, zajistěte jejich správné připojení a řádnou funkci. Použití zařízení k odsávání prachu může snížit rizika spojená s prachem.
- Nedovolte, abyste se po získání zkušeností častým používáním strojů stali neobezřetnými a ignorovali zásady bezpečnosti. Nedbalá činnost může způsobit vážné zranění za zlomek sekundy.

POUŽITÍ A PÉČE O STROJ

- Nevývíjejte na stroj násilí. Použijte správný stroj pro danou aplikaci. Správný stroj bude pracovat lépe a bezpečněji rychlostí, pro kterou byl navržen.
- Nepoužívejte stroj v případě, že vypínač nefunguje. Stroj, který nelze ovládat spínačem, je nebezpečný a musí se opravit.
- Před jakýmkoli nastavováním, výměnou příslušenství nebo uskladněním stroje odpojte

CZ

zástrčku od zdroje napájení a/nebo akumulátor od stroje. Tato preventivní bezpečnostní opatření snižují riziko náhodného spuštění stroje.

- **Nečinné stroje skladujte mimo dosah dětí a nedovolte osobám, které nejsou obeznámeny se zařízením nebo s těmito pokyny, aby jej obsluhovaly.** Stroje jsou v rukou nekalifikované obsluhy nebezpečné.
- **Provádějte údržbu strojů a příslušenství. Kontrolujte případnou nesouosost nebo ohyb pohyblivých se částí, narušení dílů a ostatní podmínky, které mohou ovlivnit provoz stroje. V případě poškození nechte stroj před použitím opravit.** Mnoho nehod a úrazů je způsobeno nedostatečně udržovanými stroji.
- **Udržujte řezací stroje ostré a čisté.** Řádně udržované žací stroje s ostrými řeznými hranami nemají tendenci se ohýbat a lépe se ovládají.
- **Používejte stroj, příslušenství a strojové hroty atd. v souladu s těmito pokyny s přihlédnutím k pracovním podmínkám a práci, která má být provedena.** Použití stroje na činnosti jiné, než je určující použití, může vést k nebezpečným situacím.
- **Udržujte rukojeti a uchopovací plochy suché, čisté, bez oleje a maziva.** Kluzké rukojeti a plochy pro uchopení neumožňují bezpečnou manipulaci se strojem a jeho ovládání v nečekaných situacích.

CZ

POUŽITÍ A PÉČE O AKUMULÁTOROVÝ STROJ

- **K nabíjení používejte pouze nabíječku doporučenou výrobcem.** Nabíječka vhodná pro jeden typ akumulátoru může způsobit riziko požáru při použití s jiným akumulátorem.
- **Stroje používejte pouze se specifikovanými akumulátory.** Použití jiných akumulátorů může způsobit riziko úrazu a požáru.
- **Pokud akumulátor nepoužíváte, držte jej z dosahu kovových předmětů, jako jsou kancelářské sponky na papír, mince, klíče, hřebíky, šroubky nebo další drobné kovové předměty, které mohou propojit kontakty akumulátoru.** Zkratování kontaktů baterie může způsobit spálení nebo požár.
- **V nevhodných podmínkách může z akumulátoru unikat kapalina. Zabraňte kontaktu. Při náhodném kontaktu opláchněte zasažené místo vodou. Pokud se kapalina dostane do očí, vyhledejte navíc lékařskou pomoc.** Unikající kapalina z akumulátoru může způsobit podráždění pokožky nebo popáleniny.
- **Nepoužívejte akumulátor nebo stroj, který je poškozen nebo upraven.** Poškozené nebo upravené akumulátory se mohou chovat nepředvídatelně, což může vést k požáru, výbuchu nebo nebezpečí zranění.

- **Nevystavujte akumulátor ani stroj ohni nebo příliš vysoké teplotě.** Při vystavení ohni nebo teplotě nad 130 °C může dojít k výbuchu.
- **Dodržujte všechny pokyny pro nabíjení a nenabíjejte akumulátor nebo stroj mimo rozsah teplot uvedených v pokynech.** Nesprávné nabíjení nebo nabíjení při teplotách mimo stanovený rozsah může poškodit akumulátor a zvýšit riziko požáru.

SERVIS

- **Servis vašeho stroje svěřte kvalifikovanému opraváři, který používá pouze originální náhradní díly.** Tim zajistíte bezpečnost stroje.
- **Nikdy neopravujte poškozené akumulátory.** Servis akumulátorů může provádět pouze výrobce nebo autorizovaní poskytovatelé služeb.

BEZPEČNOSTNÍ UPOZORNĚNÍ PRO FOUKAČ/VYSAVAČ

- **Nepoužívejte nářadí za špatných povětrnostních podmínek, zejména pokud existuje nebezpečí blesku.** Tím se snižuje riziko úrazu bleskem.
- **Často kontrolujte opotřebení nebo poškození sběrače nečistot.** Opatřebovaný nebo poškozený sběrač nečistot může zvýšit riziko zranění osob.
- **Používejte ochranu očí a uší.** Vhodné ochranné pomůcky snižují riziko zranění osob.
- **Při obsluze nářadí vždy noste protiskluzovou a ochrannou obuv. Nepracujte s tímto nářadím, pokud jste bosí nebo pokud na nohou máte otevřené sandály.** Tím se snižuje riziko poranění nohou.
- **Nenoste volné oblečení nebo předměty, jako jsou šátky, šňůrky, řetízky, kravaty apod., které by mohly být vtaženy do přívodů vzduchu.** Dlouhé vlasy si svažte nebo zakryjte, aby se nedostaly do přívodů vzduchu. Pokud se některý z těchto předmětů dostane do přívodů vzduchu, může to zvýšit riziko zranění osob.
- **Při práci s nářadím udržujte kolemstojící osoby mimo dosah.** Odhozené úlomky mohou zvýšit riziko zranění osob.
- **Nepoužívejte jej v režimu vysávání bez nasazeného sběrače nečistot.** Odhozené předměty mohou zvýšit riziko zranění osob.
- **Nikdy nemířte trysku foukače směrem k lidem nebo domácím zvířatům nebo směrem k oknům. Při odfukování suti v blízkosti pevných objektů, jako jsou stromy, automobily a zdi, které mohou způsobit jejich odskočení, dbejte zvýšené opatrnosti.** Odhozené předměty mohou poškodit majetek a zvýšit riziko zranění osob.

- **Nepoužívejte stroj ke zvedání nebo vyfukování hořících nebo kouřících předmětů, jako jsou cigarety, zápalky nebo žhavý popel.** Tyto zdroje vznícení mohou zvýšit riziko požáru.
- **Nevysávejte vodu nebo jiné kapaliny a neponořujte žádnou část stroje do kapaliny.** Vniknutí vody do stroje může zvýšit riziko úrazu elektrickým proudem.
- **Nevysávejte kameny, štěrk, kov nebo rozbité sklo.** Kolo ventilátoru se může poškodit a zvýšit riziko zranění osob.
- **Nedotýkejte se ventilátoru, pokud je v pohybu.** Před demontáží jakékoli části, která by mohla umožnit přístup k ventilátoru, vypněte stroj a počkejte, dokud se nezastaví. Tím se snižuje riziko zranění z pohyblivých částí.
- **Při odstraňování zaseknutého materiálu nebo při údržbě stroje se ujistěte, že je vypínač vypnutý.** Neočekávané spuštění nářadí při odstraňování zaseknutého materiálu nebo při údržbě může vést k vážnému zranění osob.

PŘED POUŽITÍM TOHOTO VÝROBKU SI PŘEČTĚTE VŠECHNY POKYNY!

ŠKOLENÍ

- **Přístroj nesmí používat děti, osoby se sníženým fyzickými, smyslovými nebo duševními schopnostmi nebo s nedostatečnými zkušenostmi a znalostmi nebo osoby, které se neseznámily s těmito pokyny.**
- **Obsluha nebo uživatel je zodpovědný za nehody nebo ohrožení jiných osob nebo jejich majetku.**

PŘÍPRAVA

- **Stroj lze používat v dešti nebo moku. Po skončení práce stroj vysušte.**
- **Před použitím zkontrolujte, zda nejsou baterie nebo akumulátory poškozené.** Zařízení nepoužívejte, pokud jsou baterie nebo akumulátory poškozené.

OBSLUHA

- **Stroj lze používat v dešti nebo moku. Po skončení práce stroj vysušte.**
- **Odpojte baterie nebo akumulátory:**
 1. Kdykoliv od stroje odcházíte;
 2. Před odstraněním překážky;
 3. Před kontrolou, čištěním nebo prací na zařízení;
 4. Pokud začne zařízení neobvykle vibrovat.
- **Ve svahu vždy dbejte na pevný postoj.**

- **Kráčejte, nikdy neběhejte.**
- **Všechny přívody vzduchu udržujte v čistotě.**
- **Doporučujeme používat stroj pouze ve vhodnou dobu – nikdy ne brzy ráno nebo pozdě v noci, kdy by to mohlo ostatní rušit.**
- **V prašném prostředí doporučujeme povrch mírně navlhčit, nebo použít rozprašovací nástavec.**

VAROVÁNÍ: Nebezpečné rotující části!

- **Použijte kompletní nástavec trysky stroje, aby mohl proud vzduchu pracovat blízko u země.**
- **Stroj nepoužívejte v blízkosti otevřených oken atd.**

ÚDRŽBA A SKLADOVÁNÍ

- **Řádně utahujte všechny šrouby a matice pro zajištění bezpečného provozního stavu zařízení.**
- **Opatřené nebo poškozené díly vyměňte.**
- **Používejte pouze originální náhradní díly a příslušenství.**
- **Zařízení skladujte pouze v suchu.**

VAROVÁNÍ: Pro snížení rizika vzniku požáru, úrazu elektrickým proudem, nebo úrazu:

CZ

DŮLEŽITÉ

ČTĚTE PEČLIVĚ PŘED POUŽITÍM.

USCHOVEJTE PRO BUDOUCÍ POUŽITÍ.

- **Nedovolte, aby byl stroj používán jako hračka.** Děti mohou zařízení používat pouze pod dohledem dospělé osoby.
- **Pokud stroj nefunguje, jak by měl, upadl, byl poškozen, nebo upadl do vody, zašlete jej do servisního střediska.**
- **Do otvorů nevkládejte žádné předměty.** Nepoužívejte se zakrytými otvory; udržujte otvory bez prachu, chuchvalců, vlasů a dalších nečistot, které by mohly omezit proud vzduchu.
- **Při čištění schodů dbejte zvýšené opatrnosti.**
- **Nenechávejte stroj bez dozoru, pokud je v něm zapojena zástrčka akumulátoru.** Pokud stroj nepoužíváte, nebo provádíte servis, vyjměte akumulátor.
- **Nedotýkejte se nabíječky, zástrčky ani kontaktů nabíječky mokryma rukama.**
- **Akumulátor nenabíjejte venku.**

⚠ VAROVÁNÍ:

- Před likvidací vyjměte ze zařízení akumulátor.
- Akumulátor likvidujte bezpečným způsobem.
- **NEPOKOUŠEJTE** se odstranit překážky ze zařízení, aniž byste nejprve vyjmuli akumulátor.
- **Udržujte stroj a jeho rukojeť suché, čisté, bez oleje a mastnoty.** Při čištění vždy používejte čistý hadr. K čištění stroje nikdy nepoužívejte brzdové kapaliny, benzín, výrobky na bázi ropy nebo silná rozpouštědla. Dodržování této zásady sníží riziko ztráty kontroly a poškození plastového krytu.
- **V přítomnosti zdroje vznícení, jako je např. hořák, mohou akumulátory vybuchnout.** Z důvodu snížení rizika vážného úrazu nikdy nepoužívejte akumulátorové výrobky v přítomnosti otevřeného ohně. Akumulátor, který vybuchne, může vymrštit úlomky nebo chemické látky. V případě zasažení okamžitě postižené místo omyjte vodou.
- **Nikdy jednotku nespouštějte bez instalace správného vybavení.** Vždy dbejte, aby byla instalovaná trubice stroje.
- **Stroj nikdy nepoužívejte v blízkosti ohně nebo žhavého popela.** Použití v blízkosti ohně nebo popela může rozšířit oheň a vést k vážnému úrazu anebo poškození majetku.
- **Nikdy nepoužívejte stroj k aplikaci chemických látek, hnojiv nebo jiných toxických látek.** Aplikace těchto látek může vést k vážnému úrazu obsluhy nebo dalších osob.
- **Tyto pokyny uschovejte pro budoucí použití.** Často se na ně odkazujte a používejte je k instruování ostatních, kteří mohou tento stroj používat. Pokud tento stroj půjčujete někomu jinému, půjčte mu také tento návod, abyste zabránili zneužití výrobku a možnému zranění.

ULOŽTE SI TYTO POKYNY!

CZ

TECHNICKÉ ÚDAJE

Jmenovité napětí		56 V $\overline{\text{---}}$
Foukač	Maximální objem vzduchu	850 m ³ /h
	Maximální rychlost proudění vzduchu	64 m/s (pouze s trubicí foukače) 93 m/s (se zúženou hubicí)
	Maximální síla foukání	15 N
Kapacita vaku na listí		40 litrů
Max. rychlost drcení		16 : 1
Hmotnost (bez akumulátoru a trysky)		5.8 kg (vysavač) 4.2 kg (foukač)
Doporučená provozní teplota		- 15 ° C až 40 ° C
Doporučená skladovací teplota		- 20 ° C - 70 ° C
Doporučená teplota nabíjení		5 ° C - 40 ° C
Naměřená hladina akustického výkonu L _{WA}		100 dB(A) K=1.9 dB(A)
Hladina akustického tlaku v místě obsluhy L _{PA}		88 dB(A) K=3 dB(A)
Garantovaná hladina akustického výkonu L _{WA} (podle 2000/14/EK)		102 dB(A)
Vibrace a _n		Max. 1.80 m/s ² K=1.5 m/s ²

- Celková deklarovaná hodnota vibrací byla naměřena podle standardní zkušební metody a lze ji použít ke srovnání s jiným nářadím.
- Celkovou deklarovanou hodnotu vibrací lze použít také k předběžnému stanovení expozičních limitů.

POZNÁMKA: Emise vibrací při konkrétním použití elektrického nářadí se mohou lišit od deklarované hodnoty, při které se nářadí používá; z důvodu ochrany provozovatele by měl uživatel ve skutečných pracovních podmínkách nosit rukavice a chrániče sluchu.

OBSAH BALENÍ (OBR. A1)

POPIS

POZNEJTE SVŮJ VYSAVAČ LISTŮ (obr. A1)

1. Vysavačová tryska
2. Vysavačová trubice
3. Rukojeť pro přenášení vysavače
4. Mřížka sání vzduchu
5. Přední rukojeť
6. Tlačítko pro uvolnění akumulátoru
7. Volič rychlosti/zamčení
8. Závěs ramenního popruhu
9. Hlavní rukojeť
10. Přepínač rychlosti vzduchu
11. Vak na listí
12. Ramenní popruh
13. Elektrické kontakty
14. Západka
15. Trubice foukače
16. Zúžená hubice

MONTÁŽ

VAROVÁNÍ: Pokud jsou některé díly poškozené, nebo chybí, nepoužívejte výrobek, dokud se díly nevymění. Použití tohoto výrobku s poškozenými nebo chybějícími díly může vést k vážnému úrazu.

VAROVÁNÍ: Nepokoušejte se výrobek upravovat ani vytvářet příslušenství, které se k tomuto výrobku nedoporučuje. Každá taková změna nebo úprava je nesprávná a může vést k nebezpečné situaci, která může zapříčinit vážný úraz.

VAROVÁNÍ: Pokud provádíte montáž dílů, vždy vyjměte akumulátor ze stroje, aby nedošlo k neúmyslnému spuštění, které může způsobit vážný úraz.

POZNÁMKA: Stroj nelze spustit, dokud není kompletně a správně sestavena trubice foukače nebo vysavače a vak na listí.

MONTÁŽ/SEJMUTÍ TRUBICE FOUKAČE

Montáž (obr. B1 a B2)

Srovnejte drážku a zatlačte trubku na těleso foukače, dokud nezapadne zajišťovací páčka trubky.

B-1	Páčka zámku trubky foukače
-----	----------------------------

Demontáž (obr. B3)

Zatlačením na páčku pojistky foukače uvolníte západku a poté trubku vyjměte.

MONTÁŽ / SEJMUTÍ ZÚŽENÉ HUBICE FOUKAČE

Montáž (obr. C1 a C2)

Srovnejte drážku v zúžené hubici s knoflíkem trubice a zatlačte trysku do trubice, dokud nezapadne na místo.

Demontáž (obr. C3)

Stiskněte a podržte tlačítko uvolnění hubice pro uvolnění západky a vytáhněte hubici přímo z trubice foukače.

MONTÁŽ/DEMONTÁŽ VYSAVAČE

Montáž vysavačové trysky (obr. D)

POZNÁMKA: Po prvním připojení vysavačové hubice a hadice se z nich stane jedna vysavačová sestava, kterou nelze oddělit.

Zarovnejte drážku a zatlačte hubici na vysavačovou trubici, dokud se nezajistí tlačítko zámku vysavačové trysky.

CZ

Montáž vysavače

1. Stisknutím páčky pojistky vysavačové trubice uvolníte mřížku sání vzduchu a poté mřížku otevřete (obr. E1 a E2).

E-1	Páčka pojistky vysavačové trubice
-----	-----------------------------------

2. Srovnejte dva vyvýšené čtvercové rohy na vysavači se dvěma zapuštěnými čtvercovými drážkami na vstupu vzduchu, jak je znázorněno na obr. E3, aby se sestava zasunula.
3. Tlačte vysavač směrem k přívodu vzduchu, dokud nezapadne páčka pojistky vysavačové trubice (obr. E4).
4. Přitlačte mřížku sání vzduchu k sestavě vysavače (obr. E5).

Sestavení vaku na listy (obr. F)

1. Zarovnejte drážku a zatlačte konektor vaku na listí na těleso vysavače, dokud nezapadne zajišťovací páčka vaku na listí.

F-1	Konektor vaku na listí	F-3	Smyčka vaku na listí
F-2	Páčka pojistky vaku na listí		

2. Zavěste smyčku vaku na listí na háček na sestavě vysavače, jak je znázorněno na obrázku F.

Vyjmutí a vyprázdnění vaku na listí (obr. G1)

1. Odstraňte smyčku vaku na listí z háčku na sestavě vysavače.
2. Zatlacením na páčku pojistky vaku na listí uvolněte západku a vak vyjměte.
3. Otevřete zip a vyprázdňte vak na listí.



Vyjmutí sestavy vysavače (obr. G2 a G3)

1. Zatlacením na páčku pojistky vysavačové trubice trubici odemkněte.
2. Vyjměte vysavač.
3. Zatlačte mřížku sání vzduchu směrem k přívodu vzduchu, dokud nezapadne zajišťovací páčka.

PŘIPEVNĚNÍ RAMENNÍHO POPRUHU (obr. H)

Stisknutím karabin popruhů je otevřete a připevněte je na závěsy ramenních popruhů na obou koncích stroje.

Existují dva způsoby, jak uvolnit popruh. Sundejte jej přímo z ramene nebo stiskněte jednu z karabin, abyste odpojili ramenní popruh od závěsu ramenního popruhu.

VAROVÁNÍ: Při nošení popruhu nesmí žádný jiný předmět bránit jeho uvolnění a sejmutí.

VAROVÁNÍ: Dojde-li k nouzové situaci, okamžitě si odepněte popruh z ramene bez ohledu na to, jakým způsobem je popruh připnutý.

VAROVÁNÍ: Nepoužívejte současně jednoduchý a zdvojený ramenní popruh.

VAROVÁNÍ: Nepoužívejte současně ramenní popruh a propojení batohu BH1000 EGO. Tím se zabrání rychlému nouzovému uvolnění stroje, což může vést ke zranění osob.

OBSLUHA

VAROVÁNÍ: Dbejte na to, abyste po seznámení s výrobkem nepřestali být opatrní. Nezapomínejte, že stačí chvíle nepozornosti a může se stát vážný úraz.

VAROVÁNÍ: Vždy používejte ochranu očí s bočními štíty spolu s chrániči sluchu. Pokud tak neučiníte, může dojít k vyvrstvení předmětu do očí nebo případně jiným vážným úrazům.

VAROVÁNÍ: Pokud provádíte montáž dílů, úpravy, čištění, nebo výrobek nepoužíváte, vždy vyjměte akumulátor, aby nedošlo k neúmyslnému spuštění, které může způsobit vážný úraz.

VAROVÁNÍ: Nepoužívejte nástavce nebo příslušenství, které nedoporučuje výrobce tohoto výrobku. Použití nedoporučených nástavců a příslušenství může vést k vážnému úrazu.

Před každým použitím zkontrolujte celý výrobek, zda není poškozen, nechybí nebo nejsou uvolněné žádné díly, jako např. vruty, matice, šrouby, uzávěry atd. Pevně utáhněte všechny upevňovací prvky a uzávěry a výrobek nepoužívejte, dokud se nevymění všechny chybějící nebo poškozené díly.

POUŽITÍ

Výrobek lze použít k následujícím účelům:

- Sběrání listí, posekané trávy a dalších nečistot.
- Čištění pevných povrchů, jako např. příjezdových cest a chodníků.
- Udržování teras a příjezdových cest bez listí.

POZNÁMKA: Stroj se smí používat pouze k vyhrazenému účelu. Jakékoliv jiné použití se považuje za zneužití.

INSTALACE/VYJMUTÍ AKUMULÁTORU

Používejte pouze s akumulátory a nabíječkami EGO uvedenými na obr. A2.

POZNÁMKA: Před prvním použitím akumulátor plně nabijte.

Instalace

Srovnejte žebrování akumulátoru s instalačními drážkami a tlačte akumulátor dokud neuslyšíte „kliknutí“ (obr. I1).

Odpojení (obr. I2)

Stiskněte tlačítko pro uvolnění akumulátoru a vytáhněte jej (obr. I2).

VAROVÁNÍ: Při stisku tlačítka pro uvolnění akumulátoru dávejte pozor na nohy, děti nebo domácí zvířata. Pokud akumulátor upadne, může dojít k vážnému úrazu. NIKDY nevyjímejte akumulátor na vyvýšeném místě.

SPUŠTĚNÍ/ZASTAVENÍ STROJE

Pouze přepínač rychlosti vzduchu

1. Zmáčknete přepínač rychlosti vzduchu pro zapnutí foukače.

2. Rychlost vzduchu foukače je řízena spouští s proměnnou rychlostí. Více tlaku na spoušť zvýší rychlost vzduchu, méně tlaku na spoušť rychlost vzduchu sníží. Upravte rychlost tak, aby vyhovovala aktuálnímu úkolu.
3. Chcete-li foukač vypnout, uvolněte přepínač rychlosti vzduchu.

Pouze volič rychlosti/zamčení

Foukač může být zajištěn v jakékoli rychlosti proudění vzduchu pomocí voliče zamčení.

1. Otočte voličem rychlosti/zamčení směrem k blízkému závěsu ramenního popruhu, aby se stroj spustil. Rychlost vzduchu se otáčením voliče zvyšuje, dokud nedosáhne maximální rychlosti (MAX).
2. Chcete-li snížit rychlost proudění vzduchu, otočte voličem rychlosti/zamčení na opačnou stranu.
3. Otočením voliče rychlosti/zamčení do polohy vypnutu (O) stroj zastavíte.

POZNÁMKA: Pokud voličem rychlosti/zamčení neotočíte zpět do polohy vypnutí před vyjmutím akumulátoru, foukač se při instalaci úplně nabitého akumulátoru nespustí. Jedná se o ochrannou funkci zabráňující náhodnému spuštění. Stiskněte přepínač rychlosti vzduchu, abyste deaktivovali tuto ochrannou funkci a spusťte foukač.

TIPY PRO POUŽÍVÁNÍ FOUKAČE (obr. K)

Při použití stroje jako foukače postupujte podle pokynů v části **MONTÁŽ** a nainstalujte sestavu vysavače.

- Aby se nečistoty nerozptýlily, foukejte kolem vnějšího okraje hromady nečistot. Nikdy nefoukejte přímo do středu hromady.
- Chcete-li snížit hladinu hluku, omezte počet kusů použitého elektrického vybavení.
- K uvolnění nečistot před foukáním použijte hrábě a košťata. V prašném prostředí povrch lehce navlhčete, pokud máte k dispozici vodu.
- Šetřete vodou a používejte elektrické foukače místo hadic s vodou pro řadu zahradních činností včetně prostor jako jsou např. okapy, zástěny, terasy, grily, verandy a zahrady.
- Dávejte pozor na děti, domácí zvířata, otevřená okna nebo čerstvě umytá auta a foukejte nečistoty bezpečně jiným směrem.
- Po použití foukačů nebo jiného zařízení ukliděte! Nečistoty řádně správně zlikvidujte.

TIPY PRO POUŽÍVÁNÍ VYSAVAČE (obr. L)

Pokud chcete stroj používat jako vysavač, postupujte podle pokynů v části **MONTÁŽ** a nainstalujte vysavač, vak na listí a ramenní popruh.

- Vak na listí často kontrolujte, zda není opotřebovaný nebo poškozený.
- Abyste zabránili zvedání prachu, před spuštěním stroje zcela uzavřete zip vaku na listí.
- Vyprázdňte vak na listí dřívě, než se naplní.
- Abyste zabránili vniknutí vody do stroje, používejte stroj ke sběru mokrého listí ze země, ale ne z bazénu.
- Nedovolte, aby se uvnitř stroje nacházely plastové sáčky, látky a jiné předměty, které se nesnadno rozbijí a mohou se do něj snadno zamotat.
- Nedovolte, aby byly do stroje nasávány tvrdé materiály, jako jsou velké dřevěné třísky, kovy, sklo, kamínky apod.

ÚDRŽBA

VAROVÁNÍ: Při opravách používejte pouze originální náhradní díly. Použití jiných dílů může představovat riziko nebo může způsobit poškození výrobku. Z důvodu zajištění bezpečnosti a spolehlivosti musí všechny opravy provádět kvalifikovaný servisní technik.

VAROVÁNÍ: Aby nedošlo k vážnému úrazu, vždy při čištění nebo jiné údržbě vyjměte z výrobku akumulátor.

CELKOVÁ ÚDRŽBA

K čištění plastových dílů nepoužívejte rozpouštědla. Většina plastů je náchylná k poškození různými typy komerčních rozpouštědel a jejich použití je může poškodit. K odstranění nečistot, prachu, oleje, maziva atd. použijte čistý hadr.

VAROVÁNÍ: Dbejte, aby nikdy nedošlo ke styku plastových částí s brzdovými kapalinami, benzinem, ropnými produkty, penetračními oleji atd. Chemické látky mohou poškodit, zeslabit nebo poškodit plast, což může vést k vážnému úrazu.

SKLADOVÁNÍ

- Vyjměte akumulátor ze stroje.
- Odstraňte všechny nečistoty z přívodu vzduchu stroje.
- Skladujte v uzavřeném prostoru, který není přístupný dětem. Uchovávejte v bezpečné vzdálenosti od korozivních látek, jako jsou chemické látky a rozmrazovací soli.

Ochrana životního prostředí



Elektrické zařízení, použité akumulátory a nabíječku nevhazujte do domovního odpadu!

Předějte tento výrobek autorizované recyklační společnosti ke tříděnému sběru. Elektrické nářadí musí být vráceno do zařízení pro ekologickou recyklaci.

CZ

ODSTRAŇOVÁNÍ ZÁVAD

PROBLÉM	PŘÍČINA	ŘEŠENÍ
Vysávání listí nefunguje.	<ul style="list-style-type: none"> ■ Žádný elektrický kontakt mezi vysavačem listí a akumulátorem. ■ Akumulátor je vybitý. ■ Akumulátor foukače je příliš horký. ■ Stroj není kompletně sestaven. 	<ul style="list-style-type: none"> ■ Vyměňte akumulátor, zkontrolujte póly a znovu jej nainstalujte. ■ Nabijte akumulátor. ■ Chladte akumulátor a foukač, dokud teplota neklesne pod 67 °C. ■ Při kompletním a správném sestavení stroje postupujte podle pokynů v části Montáž.
Rychlost vzduchu se výrazně snižuje.	<ul style="list-style-type: none"> ■ Přívod vzduchu je zablokovaný nečistotami. ■ Nadměrné opotřebení rotoru motoru. ■ Příliš mnoho nečistot uvnitř vaku na listí. 	<ul style="list-style-type: none"> ■ Vyměňte akumulátory, odstraňte nečistoty. ■ S opravou kontaktujte servisní středisko společnosti EGO. ■ Vyprázdněte vak na listí podle pokynů v kapitole Vyjmutí a vyprázdnění vaku na listí v části MONTÁŽ.

CZ

ZÁRUKA

ZÁRUČNÍ PODMÍNKY SPOLEČNOSTI EGO

Úplné záruční podmínky společnosti EGO naleznete na webové stránce egopowerplus.eu.

PREČÍTAJTE SI VŠETKY POKYNY!



PREČÍTAJTE SI NÁVOD NA OBSLUHU

VAROVANIE: Pre zaistenie bezpečnosti a spoľahlivosti je nevyhnutné, aby všetky opravy vykonával len kvalifikovaný servisný technik.

VAROVANIE: Pred použitím tohto nástroja si prečítajte a pochopte všetky bezpečnostné pokyny v tomto návode na obsluhu, vrátane všetkých bezpečnostných výstražných symbolov, ako sú „**NEBEZPEČENSTVO**“, „**VAROVANIE**“ a „**UPOZORNENIE**“. Nedodržanie nižšie uvedených pokynov môže mať za následok úraz elektrickým prúdom, požiar a/alebo vážne zranenie.

ODLOŽTE SI VŠETKY VAROVANIA A POKYNY PRE BUDÚCE POUŽITIE.

BEZPEČNOSTNÉ SYMBOLY

VAROVANIE: Prevádzka akéhokoľvek elektrického náradia môže viesť k vymršteniu cudzích predmetov do vašich očí, čo môže spôsobiť vážne poškodenie zraku. Predtým, než začnete používať elektrické náradie, si vždy nasadzte ochranné okuliare alebo ochranné okuliare s postrannými krytmi a prípadne celotvárový štít. Odporúčame použiť bezpečnostnú masku so širokým prieszorom na okuliare alebo štandardné bezpečnostné okuliare s postrannými krytmi.



Bezpečnostné upozornenie



Ak chcete znížiť riziko zranenia, používateľ musí pred použitím tohto výrobku prečítať a pochopiť návod na obsluhu.



Pri práci s týmto výrobkom vždy používajte ochranu sluchu a očí.



Udržiavajte okolostojace osoby vo vzdialenosti aspoň 15 m.



Garantovaná hladina akustického výkonu. Emisie hluku do prostredia sú podľa smernice Európskeho spoločenstva.



Tento výrobok je v súlade s platnými smernicami ES.



Odpadové elektrické výrobky sa nesmú likvidovať spolu s domovým odpadom. Odovzdajte do autorizovaného recyklačného strediska.



Tento výrobok je v súlade s platnou legislatívou Spojeného kráľovstva.



Jednosmerný prúd

IPX4 Ochrana pred striekajúcou vodou



Napätie

./min Za minútu



Milimeter



n_0 Rýchlosť bez zaťaženia

SK

VŠEOBECNÉ BEZPEČNOSTNÉ UPOZORNENIA TÝKAJÚCE SA STROJA

⚠ VAROVANIE: PREČÍTAJTE SI VŠETKY BEZPEČNOSTNÉ VAROVANIA, POKYNY, ILUSTRÁCIE A ŠPECIFIKÁCIE DODANÉ S TÝMTO STROJOM.

Nedodržanie nižšie uvedených pokynov môže mať za následok úraz elektrickým prúdom, požiar a/alebo vážne zranenie.

ODLOŽTE SI VŠETKY VAROVANIA A POKYNY PRE BUDÚCE POUŽITIE.

Pojem „stroj“ v upozorneniach sa vzťahuje na stroj napájaný zo siete (so šnúrou) alebo na stroj napájaný z akumulátora (bezšnúrový).

BEZPEČNOSŤ PRACOVISKA

- **Udržiavajte pracovisko čisté a dobre osvetlené.** Neporiadok alebo tmavé miesta spôsobujú nehody.
- **Nepoužívajte stroje vo výbušnom prostredí, napríklad v prítomnosti horľavých kvapalín, plynov alebo prachu.** Stroje vytvárajú iskry, ktoré môžu zapáliť prach alebo výpary.
- **Pri používaní stroja udržiavajte deti a okolostojace osoby mimo pracoviska.** Rozptyľovanie pozornosti môže viesť ku strate kontroly.

ELEKTRICKÁ BEZPEČNOSŤ

- **Zástrčka stroja musí zodpovedať elektrickej zásuvke.** Nikdy a žiadnym spôsobom nemodifikujte zástrčku. **Nepoužívajte žiadne rozbočovacie zástrčky s uzemneným strojom.** Neupravené zástrčky a vhodné zásuvky obmedzia nebezpečenstvo úrazu elektrickým prúdom.
- **Zabráňte kontaktu tela s uzemnenými povrchmi, ako sú rúry, radiátory, sporáky a chladničky.** Dochádza k zvýšeniu rizika úrazu elektrickým prúdom, ak je vaše telo uzemnené.
- **Nevystavujte stroje dažďu alebo mokru.** Voda vniknutá do stroja zvyšuje riziko úrazu elektrickým prúdom.
- **Nepoužívajte kábel nesprávnym spôsobom.** Nikdy nepoužívajte kábel na nosenie, ťahanie alebo odpájanie stroja. **Udržujte kábel v dostatočnej vzdialenosti od zdrojov tepla, oleja, ostrých hrán alebo pohyblivých častí.** Poškodená alebo zamotaná šnúra zvyšuje riziko zasiahnutia elektrickým prúdom.
- **Ak sa chystáte stroj použiť v exteriéroch, použite výhradne predĺžovaciu šnúru vhodnú na použitie v exteriéroch.** Použitie šnúry vhodnej pre použitie

v exteriéroch znižuje riziko úrazu elektrickým prúdom.

- **Ak je používanie stroja vo vlhkom prostredí nevyhnutné, použite napájanie chránené prerušovačom obvodu uzemnenia.** Použitie uzemneného prúdového chrániča znižuje riziko úrazu elektrickým prúdom.

BEZPEČNOSŤ OSÔB

- **Buďte pozorní, sledujte to, čo robíte a používajte zdravý rozum pri práci so strojom.** **Nepoužívajte stroj, ak ste unavení alebo pod vplyvom drog, alkoholu alebo liekov.** Chvilková nepozornosť pri práci so strojom môže mať za následok vážne zranenie.
- **Používajte osobné ochranné pomôcky. Vždy používajte ochranu očí.** Ochranné prostriedky ako respirátor, protišmyková bezpečnostná obuv, prilba alebo chrániče sluchu použité za vhodných podmienok znižujú nebezpečenstvo zranenia.
- **Zabráňte neúmyselnému uvedeniu do prevádzky. Pred pripojením k zdroju napájania a/alebo akumulátoru, pri zdvíhaní alebo prenášaní stroja sa uistite, že prepínač je vo vypnutej polohe.** Prenášanie strojov s prstom na vypínači alebo zapájanie strojov, ktoré majú vypínač zapnutý, môže viesť k nehodám.
- **Pred spustením stroja vždy odstráňte nastavovací kľúč alebo náradie.** Kľúč alebo náradie, ktoré necháte pripevnené k otáčajúcej sa časti stroja, môže spôsobiť zranenie osôb.
- **Nesiahajte príliš vysoko.** Pri práci vždy dodržujte správny postoj a rovnováhu. To umožňuje lepšiu ovládateľnosť stroja v nečakaných situáciách.
- **Noste vhodné oblečenie. Nenoste šperky alebo voľný odev.** Udržujte vlasy a oblečenie mimo dosahu pohyblivých častí. Voľný odev, šperky alebo dlhé vlasy môžu byť zachytené pohybujúcimi sa dielmi.
- **Pokiaľ je náradie vybavené zariadením na zachytávanie prachu a úlomkov materiálu, skontrolujte, či je k náradiu správne pripevnené.** Použitie odsávania prachu môže znížiť nebezpečenstvo, ktoré súvisí s prachom.
- **Nedovoľte, aby ste sa po získaní skúsenosti častým používaním stroja stali neobozretnými a ignorovali zásady bezpečnosti.** Nedbalá činnosť môže spôsobiť vážne zranenie za zlomok sekundy.

POUŽÍVANIE STROJA A STAROSTLIVOSŤ

- **Netlačte na stroj silou. Použite správny stroj pre vašu prácu.** Stroj bude pracovať lepšie a bezpečnejšie pri rýchlosti, na ktorú bol navrhnutý.

SK

- **Nepoužívajte stroj, ak sa nedá zapnúť a vypnúť použitím vypínača.** Stroj, ktorý sa nedá ovládať vypínačom, je nebezpečný a musí sa opraviť.
- **Pred akýmkoľvek úpravami, výmenou príslušenstva alebo uskladnením stroja odpojte zástrčku od zdroja napájania a/alebo akumulátor od stroja.** Takéto preventívne bezpečnostné opatrenia znižujú riziko náhodného spustenia stroja.
- **Nečinný stroj skladujte mimo dosahu detí a nedovoľte osobám, ktoré nie sú oboznámené so strojom alebo s týmto návodom, aby stroj obsluhovali.** Stroje sú v rukách nevyškolených používateľov nebezpečné.
- **Vykonávajte údržbu stroja a príslušenstva. Kontrolujte nastavenie pohyblivých častí, poškodenie dielov a akékoľvek ďalšie okolnosti, ktoré môžu mať vplyv na funkciu stroja. Ak je poškodený, nechajte ho pred použitím opraviť.** Veľa úrazov je zapríčinených zle udržiavanými strojmi.
- **Udržujte rezacie stroje ostré a čisté.** Starostlivo ošetrované rezacie stroje s ostrými čepelami menej pravdepodobne uviaznu a jednoduchšie sa ovládajú.
- **Používajte stroj, príslušenstvo, nadstavce apod. podľa týchto pokynov a rešpektujte pritom pracovné podmienky a vykonávanú činnosť.** Použitie stroja na iné ako určené účely môže viesť k nebezpečným situáciám.
- **Udržujte rukaväte a uchopovacie plochy suché, čisté, bez oleja a maziva.** Klzké držadlá a uchopovacie plochy neumožňujú bezpečnú manipuláciu so strojom a jeho ovládanie v nečakaných situáciách.

POUŽÍVANIE A STAROSTLIVOSŤ O AKUMULÁTOROVÝ STROJ

- **Nabíjajte len pomocou nabíjačky špecifikovanej výrobcom.** Nabíjačka, ktorá je vhodná pre jeden typ akumulátora, môže predstavovať pri nabíjaní iného typu akumulátora nebezpečenstvo.
- **Používajte stroje a s výslovné určenými akumulátormi.** Použitie iných typov akumulátorov môže spôsobiť riziko úrazu a požiaru.
- **Ak sa akumulátor nepoužíva, držte ho mimo iných kovových predmetov, ako sú sponky, mince, kľúče, kince, skrutkovače alebo iné malé kovové predmety, ktoré by mohli navzájom prepojiť kontakty akumulátora.** Skratovanie kontaktov akumulátora môže spôsobiť popálenie alebo požiar.
- **Za nevhodných podmienok môže z akumulátora unikáť kvapalina. Zabráňte kontaktu. Pri náhodnom kontakte opláchnite vodou. Ak sa kvapalina dostane do očí, dodatočne vyhľadajte lekársku pomoc.**

Unikajúca kvapalina z akumulátora môže spôsobiť podráždenie pokožky alebo popálenie.

- **Nepoužívajte akumulátor alebo stroj, ktoré sú poškodené alebo upravené.** Poškodené alebo upravené akumulátory môžu mať nepredvídateľné chovanie, ktoré môže viesť k požiaru, výbuchu alebo nebezpečenstvu poranenia.
- **Nevystavujte akumulátor ani stroj ohňu alebo nadmernej teplote.** Pri vystavení ohňu alebo teplote nad 130 °C môže dôjsť k výbuchu.
- **Dodržujte všetky pokyny pre nabíjanie a nenabíjajte akumulátor alebo stroj mimo teplotného rozsahu uvedeného v pokynoch.** Nesprávne nabíjanie alebo nabíjanie pri teplotách mimo stanovený rozsah môže poškodiť akumulátor a zvýšiť riziko požiaru.

OPRAVA

- **Nechajte váš stroj opraviť kvalifikovanou osobou s použitím iba identických náhradných dielov.** Tým sa zabezpečí, že bezpečnosť stroja zostane zachovaná.
- **Nikdy neopravujte poškodené akumulátory.** Servis akumulátorov smie robiť iba výrobca alebo autorizovaní servisní poskytovatelia.

BEZPEČNOSTNÉ UPOZORNENIA TÝKAJÚCE SA DÚCHADLA VYSÁVAČA

- **Nepoužívajte stroj za nepriaznivých poveternostných podmienok, najmä ak existuje nebezpečenstvo blesku.** Tým sa znižuje riziko úderu bleskom.
- **Často kontrolujte zberač nečistôt na opotrebenie alebo poškodenie.** Opatrebovaný alebo poškodený zberač nečistôt môže zvýšiť riziko poranenia osôb.
- **Používajte ochranu očí a uší.** Primerané ochranné vybavenie zníži riziko zranenia osôb.
- **Pri prevádzke stroja vždy noste protišmykovú a ochrannú obuv. Náradie nikdy nepoužívajte naboso ani v otvorených sandáloch.** Znižuje sa tak riziko poranenia chodidiel.
- **Nenoste voľné oblečenie alebo predmety, ako sú šatky, šnúrky, retiazky, kravaty atď., ktoré by mohli byť vťahnuté do prívodov vzduchu.** Dlhé vlasy si zviažte alebo zakryte, aby sa nedostali do vstupov vzduchu. Ak sa niektorý z týchto predmetov dostane do prívodov vzduchu, môže to zvýšiť riziko poranenia osôb.
- **Udržujte okolostojace osoby v bezpečnej vzdialenosti počas prevádzky stroja.** Vyhadzované sutiny môžu zvýšiť riziko zranenia osôb.

SK

- **Nepoužívajte ho v režime vysávania bez nasadeného zberača nečistôt.** Vyhadzované predmety môžu zvýšiť riziko zranenia osôb.
- **Nikdy nemierte dýzu fúkača smerom na ľudí alebo domáce zvieratá alebo na okná.** Zvýšenú pozornosť venujte pri fúkaní úlomkov v blízkosti pevných objektov, ako sú stromy, automobily a steny, ktoré môžu spôsobiť ich odrazenie. Vyhadzované sutiny môžu poškodiť majetok a zvýšiť riziko zranenia osôb.
- **Nepoužívajte zariadenie na zdvíhanie alebo vyfukovanie horiacich alebo dymiacich predmetov, ako sú cigarety, zápalky alebo horúci popol.** Tieto zdroje vznietenia môžu zvýšiť riziko požiaru.
- **Nevysávajte vodu alebo iné kvapaliny ani neponárajte žiadnu časť stroja do kvapaliny.** Vniknutie vody do stroja môže zvýšiť riziko úrazu elektrickým prúdom.
- **Nevysávajte kamene, štrk, kov alebo rozbité sklo.** Koleso ventilátora sa môže poškodiť a môže zvýšiť riziko poranenia osôb.
- **Nedotýkajte sa ventilátora, keď je v pohybe.** Pred odstránením akejkoľvek časti, ktorá by mohla umožniť prístup k ventilátoru, vypnite stroj a počkajte, kým sa ventilátor nezastaví. Tým sa znižuje riziko zranenia pohyblivými časťami.
- **Pri odstraňovaní zaseknutého materiálu alebo pri údržbe stroja sa uistite, že je hlavný vypínač vypnutý.** Neočakávané uvedenie stroja do pohybu pri odstraňovaní zaseknutého materiálu alebo servise môže mať za následok vážne zranenie.

PREĎ POUŽITÍM TOHTO VÝROBKU SI PREČÍTAJTE VŠETKY POKYNY!

ŠKOLENIE

- **Nikdy nedovoľte používať stroj deťom, osobám so zníženými fyzickými, zmyslovými alebo duševnými schopnosťami, alebo nedostatkom skúseností a znalostí alebo ľuďom, ktorí nie sú oboznámení s týmito pokynmi.**
- **Obsluha alebo používateľ je zodpovedný za nehody a nepredvídané udalosti voči iným osobám a ich majetku.**

PRÍPRAVA

- **Stroj je možné používať v daždi alebo vo vlhkom prostredí. Po skončení práce stroj vysušte.**
- **Pred použitím skontrolujte batérie alebo akumulátory na poškodenie.** Nepoužívajte zariadenie, ak sú batérie alebo akumulátory poškodené.

PREVÁDZKA

- **Stroj je možné používať v daždi alebo vo vlhkom prostredí. Po skončení práce stroj vysušte.**
- **Odpojte batérie alebo akumulátory:**
 1. Kedykoľvek opustíte stroj;
 2. Pred odstránením zablokovania;
 3. Pred kontrolou, čistením alebo prácou na zariadení;
 4. V prípade, že nástroj začne nezvyčajne vibrovať.
- **Vždy sa uistite o vašom postoji na svahoch.**
- **Kráčajte, nikdy nebežte.**
- **Udržujte všetky vzduchové chladiace prívody bez nečistôt.**
- **Odporúčame prevádzkovať stroj len vo vhodnom čase - nie skoro ráno alebo neskoro v noci, keď by ľudia mohli byť vyrušovaní.**
- **Odporúčame mierne navlhčiť povrch v prašnom prostredí alebo použiť hlavný nástavec.**

VAROVANIE: Nebezpečenstvo rotujúcich dielov!

- **Použite rozširujúcu trysku stroja tak, aby prúd vzduchu mohol pracovať blízko pri zemi.**
- **Nepracujte so strojom v blízkosti otvorených okien a pod.**

ÚDRŽBA A SKLADOVANIE

- **Udržujte všetky matice a skrutky utiahnuté, aby bol nástroj v bezpečnom prevádzkovom stave.**
- **Vymeňte opotrebované alebo poškodené diely.**
- **Používajte iba originálne náhradné diely a príslušenstvo.**
- **Nástroj skladujte len na suchom mieste.**

VAROVANIE: Ak chcete znížiť riziko požiaru, úrazu elektrickým prúdom alebo poranenia:

DÔLEŽITÉ

PREĎ POUŽITÍM SI POZORNE PREČÍTAJTE.

ODLOŽTE SI PRE BUDÚCU POTREBU.

- **Nedovoľte, aby sa stroj používal ako hračka.** Mimoriadna opatrnosť sa vyžaduje, ak sa používa v blízkosti detí.
- **Ak stroj správne nefunguje, spadol, je poškodený, alebo spadol do vody, vráťte ho do servisného strediska.**
- **Nevkladajte žiadne predmety do akýchkoľvek otvorov. Nepoužívajte so žiadnym zablokovaným**

SK

otvorom; udržiavajte otvory bez prachu, chuchvalcov a vlasov, ktoré by mohli znížiť prúdenie vzduchu.

- Pri čistení schodov buďte mimoriadne opatrní.
- Nenechávajte stroj bez dozoru, keď je zasunutá zástrčka akumulátora. Vyberte akumulátor, ak sa stroj nepoužíva a pred vykonávaním údržby.
- Nesiahajte s mokrymi rukami na nabíjačku, vrátane zástrčky alebo konektorov nabíjačky.
- Nenabíjajte akumulátor vonku.

! VAROVANIE:

- Pred likvidáciou musí byť akumulátor odstránený zo spotrebiča.
- Batérie likvidujte bezpečným spôsobom.

- **NEPOKÚŠAJTE** sa odstraňovať upchania v nástroji bez vybratia batérie.
- **Stroj a jeho rukoväť udržiavajte suché, čisté a zbvavené oleja a mastnoty.** Pri čistení vždy používajte čistú handru. Nikdy nepoužívajte brzdové kvapaliny, benzín, ropné výrobky, ani silné rozpúšťadlá na čistenie stroja. Dodržiavanie tohto pravidla zníži riziko straty kontroly a zhoršenia stavu plastového krytu.
- **Batérie môžu explodovať v prítomnosti zdroja vznietenia, ako je napríklad kontrolná žiarovka.** Aby sa znížilo riziko vážneho zranenia, nikdy nepoužívajte akýkoľvek akumulátorový výrobok v prítomnosti otvoreného ohňa. Vybuchnutá batéria môže rozprsknúť nečistoty a chemikálie. V prípade zasiahnutia ihneď opláchnite vodou.
- **Nikdy nespúšťajte nástroj bez pripojeného vhodného príslušenstva.** Vždy sa uistíte, že je nainštalovaná trubica stroja.
- **Stroj nikdy nepoužívajte v blízkosti ohňa alebo horúceho popola.** Použitie v blízkosti ohňa alebo popola môže rozšíriť požiar a spôsobiť vážne zranenie a/alebo poškodenie majetku.
- **Nikdy nepoužívajte stroj na rozmetávanie chemikálií, hnojív alebo iných toxických látok.** Rozprašovanie týchto látok môže vyvolať vážne zranenia obsluhy alebo okolostojacich.
- **Odložte si tieto pokyny.** Často na ne odkazujte a používajte ich na poučenie ostatných, ktorí môžu tento stroj používať. Ak tento stroj požíčiate niekomu inému, požičajte mu aj tento návod, aby ste zabránili zneužitiu výrobku a možnému zraneniu.

ODLOŽTE SI TIETO POKYNY!

TECHNICKÉ ÚDAJE

Menovité napätie		56 V $\overline{\text{---}}$
Dúchadlo	Maximálny objem vzduchu	850 m ³ /h
	Maximálna rýchlosť vzduchu	64 m/s (len s trubicou dúchadla) 93 m/s (so zúženou tryskou)
	Maximálna sila fúkania	15 N
Kapacita vaku na lístie		40 liter
Max. rýchlosť drvenia		16 : 1
Hmotnosť (bez akumulátora a trysky)		5.8 kg (vysávač) 4.2 kg (dúchadlo)
Odporúčaná prevádzková teplota		-15°C-40°C
Odporúčaná skladovacia teplota		-20°C-70°C
Odporúčaná teplota nabíjania		5°C-40°C
Nameraná hladina akustického výkonu L _{WA}		100 dB(A) K=1.9 dB(A)
Hladina akustického tlaku v pracovnej polohe L _{PA}		88 dB(A) K=3 dB(A)
Garantovaná hladina akustického výkonu L _{WA} (podľa 2000/14/EK)		102 dB(A)
Vibrácie a _n		Max. 1.80 m/s ² K=1.5 m/s ²

- Deklarovaná celková hodnota vibrácií bola meraná v súlade so štandardnou skúšobnou metódou a môže sa použiť na vzájomné porovnanie jednotlivých náradí.
- Uvádzaná celková hodnota vibrácie sa môže použiť aj na predbežný odhad expozície.

POZNÁMKA: Emisia vibrácií pri skutočnom používaní náradia sa môže odlišovať od deklarovanej hodnoty, pri akej sa nástroj používa; za účelom ochrany obsluhy má používateľ v skutočných podmienkach použitia nosiť rukavice a ochranu sluchu.

OBSAH BALENIA (OBR. A1)

POPIS

SPOZNAJTE VÁŠ VYSÁVAČ LÍSTIA (obr. A1)

1. Vysávačová tryska
2. Vysávačová trubica
3. Držadlo na prenášanie vysávača
4. Mriežka prívodu vzduchu
5. Predná rukoväť
6. Tlačidlo na uvoľnenie akumulátora
7. Nastavenie rýchlosti/uzamknutia
8. Záves ramenného popruhu
9. Hlavná rukoväť
10. Ovládač prúdenia vzduchu
11. Vak na listy
12. Ramenný popruh
13. Elektrické kontakty
14. Západka
15. Trubica dúchadla
16. Zúžená tryska

MONTÁŽ

VAROVANIE: Ak akýkoľvek diel chýba, alebo je poškodený, nepoužívajte tento výrobok, kým nie sú vymenené diely. Ak používate tento výrobok s poškodenými alebo chýbajúcimi časťami, môže dôjsť k vážnemu zraneniu.

VAROVANIE: Nepokúšajte sa upravovať tento výrobok alebo vytvoriť príslušenstvo, ktoré nie je odporúčané na použitie s týmto výrobkom. Každá takáto zmena alebo modifikácia sa považuje za zneužitie a môže spôsobiť nebezpečný stav, ktorý vedie k možnému vážnemu zraneniu.

VAROVANIE: Pri montáži dielov vždy vyberte akumulátor zo stroja, aby ste zabránili náhodnému spusteniu, ktoré by mohlo spôsobiť vážne zranenia.

POZNÁMKA: Stroj nie je možné spustiť, kým nie je kompletne a správne zmontovaná trubica dúchadla alebo zostava vysávača a vak na listie.

MONTÁŽ/DEMONTÁŽ VÝDUCHU DÚCHADLA

Montáž (obr. B1 a obr. B2)

Vyrovajte drážku a zatlačte trubicu na teleso dúchadla, kým nezapadne poistná páčka dúchadla.

B-1	Páčka poistky trubice dúchadla
-----	--------------------------------

Demontáž (Obr. B3)

Stlačením páčky poistky trubice dúchadla uvoľníte západku a potom vyberte trubicu.

MONTÁŽ/DEMONTÁŽ ZÚŽENEJ TRYSKY DÚCHADLA

Montáž (Obr. C1 a C2)

Zarovnajte drážku v zúženej tryske s gombíkom trubice a zatlačte trysku na trubicu, kým nezapadne na svoje miesto.

Demontáž (Obr. C3)

Stlačením a podržaním tlačidla uvoľnenia trysky uvoľníte západku, potom trysku vytiahnite priamo z trubice dúchadla.

MONTÁŽ/DEMONTÁŽ ZOSTAVY VYSÁVAČA

Montáž vysávačovej trysky (obr. D)

POZNÁMKA: Po prvom pripojení vysávačovej trysky a hadice sa z nich stane jedna vysávačica zostava, ktorú nemožno rozobrať.

Zarovnajte drážku a zatlačte trysku na vysávačovú trubicu, kým sa nezaistí tlačidlo zámku vysávačovej hubice.

Montáž zostavy vysávača

1. Stlačením páčky poistky vysávačovej trubice uvoľníte mriežku prívodu vzduchu a potom mriežku otvoríte (obr. E1 a E2).

E-1	Páčka poistky vysávačovej trubice
-----	-----------------------------------

2. Zarovnajte dva vyvýšené štvorcové rohy na vysávačovej zostave s dvoma zapustenými štvorcovými drážkami na prívode vzduchu, ako je znázornené na obr. E3, aby sa zostava zasunula.
3. Tlačte zostavu vysávača smerom k prívodu vzduchu, kým sa nezaistí páčka poistky vysávačovej trubice (obr. E4).
4. Priložte mriežku prívodu vzduchu na zostavu vysávača (obr. E5).

Montáž vaku na listy (obr. F)

1. Zarovnajte drážku a zatlačte konektor vaku na listy na kryt vysávača, kým nezapadne poistná páčka vaku na listy.

SK

F-1	Prípojka vaku na listy	F-3	Slučka vaku na listy
F-2	Páčka poistky vaku na listy		

- Zaveste slučku vaku na listy na háčik na zostave vysávača, ako je znázornené na obrázku F.

Odstraňovanie a vyprázdnenie vaku na listy (obr. G1)

- Odstráňte slučku vaku na listie z háčika na zostave vysávača.
- Stlačením páčky poistky vaku na listy uvoľnite západku a potom vak vyberte.
- Otvorte zips a vyprázdňte vak na listy.

G-1	Zips
-----	------

Demontáž zostavy vysávača (obr. G2 a G3)

- Stlačením páčky poistky vysávačovej trubice odomknite trubicu.
- Odstráňte zostavu vysávača.
- Zatlačte mriežku prívodu vzduchu smerom k prívodu vzduchu, kým sa nezaistí páčka poistky.

PRIPEVNENIE RAMENNÉHO POPRUHU (obr. H)

Stlačením karabín otvorte popruhy a pripevnite ich na závesy ramenných popruhov na oboch koncoch stroja.

Existujú dva spôsoby, ako uvoľniť popruh. Odpojte ho priamo z ramena alebo stlačte jednu z karabín, aby ste odpojili ramenný popruh od závesu na ramenný popruh.

VAROVANIE: Pri nosení popruhu nesmie žiadny iný predmet brániť uvoľneniu a odstráneniu popruhu.

VAROVANIE: Ak dôjde k núdzovej situácii, ihneď si popruh odopnite z vášho ramena bez ohľadu na to, akým spôsobom je pripnutý.

VAROVANIE: Nepoužívajte súčasne jednoduchý a zdvojený ramenný popruh.

VAROVANIE: Nepoužívajte súčasne ramenný popruh a prepojenie batohu BH1000 EGO. Zabráni sa tak rýchlemu núdzovému uvoľneniu stroja, čo môže viesť k zraneniu osôb.

PREVÁDZKA

VAROVANIE: Nedovoľte, aby dlhodobá skúsenosť práce s týmto výrobkom spôsobila vašu neopatnosť. Pamätajte na to, že aj chvíľková neopatnosť stačí na to, aby spôsobila vážny úraz.

VAROVANIE: Vždy používajte ochranu zraku s bočnými ochrannými štítmí spolu s ochranou sluchu. Ak tak neurobíte, môže dôjsť k vyvršteniu predmetov do očí a k ďalším možným vážnym zraneniam.

VAROVANIE: Pri montáži dielov, zmene nastavenia, čistení a ak náradie nepoužívate, vždy vyberte akumulátor zo stroja, aby ste zabránili náhodnému spusteniu, ktoré by mohlo spôsobiť vážne zranenia.

VAROVANIE: Nepoužívajte žiadne doplnky alebo príslušenstvo, ak ho neodporúča výrobca uvedeného výrobku. Používanie nástavcov alebo príslušenstva, ktoré nie je odporúčané, môže viesť k vážnemu zraneniu osôb. Pred každým použitím skontrolujte, či na zariadení nie sú poškodené, chýbajúce alebo uvoľnené časti, napríklad skrutky, matice, závitky, uzávery, atď. Bezpečne utiahnite všetky upevňovacie prvky a uzávery a nepoužívajte tento výrobok, kým nebudú vymenené všetky chýbajúce alebo poškodené diely.

POUŽITIE

Tento výrobok môžete použiť na tieto uvedené účely:

- Zbieranie lístia, pokosenej trávy a iného odpadu.
- Čistenie tvrdých povrchov, ako sú príjazdové cesty a chodníky.
- Udržiavanie terás a príjazdových ciest bez lístia.

POZNÁMKA: Stroj sa smie používať iba na predpísané účely. Každé iné použitie sa považuje za prípad nevhodného použitia.

PRIPOJENIE/ODPOJENIE AKUMULÁTORA

Používajte iba EGO akumulátory a nabíjačky uvedené na obr. A2.

POZNÁMKA: Pred prvým použitím akumulátor úplne nabite.

Pripojenie

Zarovnajte rebrá akumulátora s montážnymi otvormi a zatlačte akumulátor, kým nebudete počuť „cvaknutie“ (obr. I1).

Odpojenie (obr. I2)

Stlačte tlačidlo na uvoľnenie akumulátora a vytiahnite akumulátor (obr. I2).

VAROVANIE: Vždy majte na pamäti umiestnenie vašich nôh, polohu detí, či zvierat pri stlačení tlačidla pre uvoľnenie akumulátora. Mohlo by dôjsť k vážnemu zraneniu v prípade vypadnutia akumulátora. NIKDY nevyberajte akumulátor na vyvýšenom mieste.

SPUSTENIE/ZASTAVENIE STROJA

Iba ovládač prúdenia vzduchu

1. Stlačte ovládač prúdenia vzduchu pre zapnutie dýchadla.
2. Rýchlosť vzduchu ventilátora sa ovláda ovládačom prúdenia vzduchu. Väčší tlak na ovládač má za následok vyššie rýchlosti vzduchu; menší tlak na spúšť má za následok nižšie rýchlosti vzduchu. Nastavte rýchlosť tak, aby vyhovovala vykonávanej úlohe.
3. Uvoľnením ovládača dýchadla vypnete.

Iba ovládač rýchlosti/uzamknutia

Dýchadlo je možné nastaviť na akúkoľvek rýchlosť pomocou ovládača rýchlosti/uzamknutia.

1. Otočte ovládačom rýchlosti/uzamknutia smerom k blízkemu závesu ramenného popruhu, aby ste stroj spustili. Rýchlosť vzduchu sa bude otáčaním voliča zvyšovať, až kým nedosiahne maximálnu rýchlosť (MAX).
2. Ak chcete znížiť rýchlosť prúdenia vzduchu, otočte ovládačom rýchlosti/uzamknutia na opačnú stranu.
3. Otáčaním ovládača rýchlosti/uzamknutia do vypnutej polohy (O) stroj zastavíte.

POZNÁMKA: Ak pred vybratím akumulátora neotočíte ovládač rýchlosti/uzamknutia späť do vypnutej polohy, dýchadlo sa nespustí, keď je vložený plne nabitý akumulátor. Toto je ochranná funkcia, ktorá má zabrániť náhodnému spusteniu. Stlačením ovládača prúdenia vzduchu deaktivujete ochranu a spustíte dýchadlo.

TIPY NA POUŽÍVANIE DÚCHADLA (obr. K)

Pri používaní stroja ako dýchadla postupujte podľa pokynov v časti **MONTÁŽ** a nainštalujte zostavu vysávača.

- Ak chcete zabrániť rozptyľovaniu nečistôt, fúkajte okolo vonkajšieho okraja hromady odpadu. Nikdy nefúkajte priamo do stredu hromady.
- Ak chcete znížiť hladinu zvuku, obmedzte počet použitých elektrických zariadení súčasne.

- Pred fúkaním použite hrable a metly na uvoľnenie nečistôt. V prašných podmienkach ľahko navlhčite povrch, ak je k dispozícii voda.
- Šetrite vodu pomocou vyfukovania namiesto používania hadíc pre mnoho záhradníckych činností, vrátane takých miest, ako sú odkvapky, paravány, terasy, grily, verandy a záhrady.
- Dávajte pozor na deti, domáce zvieratá, otvorené okná alebo čerstvo umyté auta a fúkajte odpad do bezpečnej vzdialenosti.
- Po použití fúkačov alebo iných zariadení nezabudnite upratať! Zlikvidujte odpad správne.

TIPY NA POUŽÍVANIE VYSÁVAČA (obr. L)

Ak chcete stroj používať ako vysávač, postupujte podľa pokynov v časti **MONTÁŽ** a nainštalujte vysávač, vak na lístie a ramenný popruh.

- Často kontrolujte, či nie je vak na listy opotrebovaný alebo poškodený.
- Aby ste zabránili zvýšeniu prašnosti, pred spustením stroja úplne zatvorte zips vaku na lístie.
- Vak na lístie vyprázdňte skôr, ako sa naplní.
- Aby ste zabránili vniknutiu vody do stroja, používajte stroj na zber mokrého lístia zo zeme, ale nie z bazéna.
- Nedovoľte, aby sa do stroja zamotali plastové vrecká, látky a iné predmety, ktoré sa nedajú ľahko rozbiť a môžu sa ľahko zamotať.
- Nedovoľte, aby sa do stroja nasávali tvrdé materiály, ako sú veľké drevené triesky, kovy, sklo, kameňky atď.

ÚDRŽBA

VAROVANIE: Pri údržbe používajte iba originálne náhradné diely. Použitie iných častí môže vyvolať nebezpečenstvo, alebo spôsobiť poškodenie výrobku. Pre zaistenie bezpečnosti a spoľahlivosti je nevyhnutné, aby všetky opravy vykonával len kvalifikovaný servisný technik.

VAROVANIE: Pri čistení alebo vykonávaní údržby vždy vyberte akumulátor z výrobku, aby nedošlo k vážnemu zraneniu.

VŠEOBECNÁ ÚDRŽBA

Na čistenie plastových dielov nepoužívajte rozpúšťadlá. Väčšina plastov je náchylná na poškodenie rôznymi typmi komerčných rozpúšťadiel a môžu sa poškodiť, ak sa rozpúšťadlá použijú. Použite čisté handry na odstránenie nečistôt, prachu, oleja, maziva atď.

SK

⚠ VAROVANIE: Nikdy nedovoľte, aby brzdové kvapaliny, benzín, ropné výrobky, penetračné oleje atď. prišli do styku s plastovými časťami. Chemické látky môžu poškodiť, oslabiť alebo zničiť plast, čo môže viesť k vážnemu zraneniu.

USKLADNENIE

- Vyberte akumulátor zo stroja.
- Odstráňte všetky nečistoty zo prívodov vzduchu dýchadla.
- Skladujte v uzavretom priestore, ktorý nie je prístupný deťom. Chráňte pred agresívnymi látkami, ako sú záhradné chemikálie a rozmrazovacie soli.

Ochrana životného prostredia



Nevyhadzujte elektrické zariadenia, nabíjačku a použité akumulátory do domového odpadu!

Tento výrobok odneste na autorizované recyklačné miesto a poskytnite ho na separovaný zber. Elektrické náradie sa musí odovzdať do príslušného zariadenia na ekologicky šetrnú recykláciu.

SK

ODSTRAŇOVANIE PORÚCH

PROBLÉM	PRÍČINA	RIEŠENIE
Vysávanie listov nefunguje.	<ul style="list-style-type: none"> ■ Žiadny elektrický kontakt medzi vysávačom listia a akumulátorom. ■ Akumulátor je vybitý. ■ Akumulátor alebo dýchadlo sú príliš horúce. ■ Stroj nie je kompletne zmontovaný. 	<ul style="list-style-type: none"> ■ Vyberte akumulátor, skontrolujte kontakty a akumulátor nainštalujte naspäť. ■ Nabite akumulátor. ■ Nechajte vychladnúť akumulátor alebo vysávač listia, kým teplota neklesne pod 67 °C. ■ Pri kompletnom a správnom zostavení stroja postupujte podľa pokynov v časti Montáž.
Rýchlosť prúdenia vzduchu sa významne znižuje.	<ul style="list-style-type: none"> ■ Prívod vzduchu je zablokovaný nečistotami. ■ Nadmerné opotrebovanie motora dýchadla. ■ Príliš veľa nečistôt vo vaku na listie. 	<ul style="list-style-type: none"> ■ Vyberte akumulátory, vyčistite zvyšky. ■ Kontaktujte servisné stredisko EGO pre opravu. ■ Vak na listie vyprázdňte podľa pokynov uvedených v kapitole Odstraňovanie a vyprázdňovanie vaku na listie v časti MONTÁŽ.

ZÁRUKA

SK

ZÁRUČNÁ POLITIKA EGO

Úplné znenie záručných podmienok EGO nájdete na webovej stránke egopowerplus.eu.

OLVASSA EL AZ ÖSSZES UTASÍTÁST!



OLVASSA EL A HASZNÁLATI ÚTMUTATÓT

FIGYELMEZTETÉS: A biztonságosság és megbízhatóság biztosítása érdekében minden javítást szakképzett szerviztechnikusnak kell elvégeznie.

FIGYELMEZTETÉS: A szerszám használata előtt feltétlenül olvassa el és értse meg a jelen kezelési útmutatóban található valamennyi biztonsági utasítást, valamint a „VESZÉLY”, „FIGYELMEZTETÉS”, és „FIGYELEM” biztonsági figyelmeztető szimbólumokat is. Az alább felsorolt utasítások be nem tartása áramütést, tűzveszélyt és/vagy súlyos személyi sérülést idézhet elő.

ŐRIZZEN MEG MINDEN UTASÍTÁST ÉS FIGYELMEZTETÉST, HOGY KÉSŐBB IS ELŐ TUDJA MAJD VENNI.

BIZTONSÁGI SZIMBÓLUMOK

FIGYELMEZTETÉS: Bármely elektromos kéziszerszám működtetése azzal járhat, hogy idegen tárgyak szembe kerülnek, ami súlyos szemsérüléseket okozhat. Az elektromos kéziszerszám működtetése előtt mindig vegyen fel oldalsó védőlemezrel ellátott védőszemüveget és a teljes védőárlarcot, ha szükséges. Javasoljuk, hogy viseljen Wide Vision Safety Mask-ot (védőárlarc) a védőszemüveg fölött vagy standard védőszemüveget oldalsó védőlemezrel.



Biztonsági figyelmeztetés



A sérülések kockázatának csökkentése érdekében a használónak a termék használata előtt el kell olvasnia és meg kell értenie a használati útmutatót.



A termék működtetésekor mindig viseljen fül- és szemvédőt.



Minden nézelődő legalább 15 m távolságban legyen.



Garantált hangteljesítményszint. Környezetre ható zajkibocsátás a Európai Közösség irányelve szerint.



A termék megfelel az érvényes EK irányelveknek.



Az elhasznált elektromos termékek nem helyezhetők a háztartási hulladékok közé. Vigye hivatalos újrahasznosító telephelyre.



Ez a termék megfelel az Egyesült Királyság hatályos jogszabályainak.

 Egyenáram

IPX4 Fröccsenő víz elleni védelem

V Feszültség

./perc Percenként

mm Milliméter

n_0 Üresjárat fordulatszám

ÁLTALÁNOS GÉPBIZTONSÁGI FIGYELMEZTETÉSEK

▲ FIGYELMEZTETÉS: OLVASSA EL A GÉPHEZ MELLÉKELT ÖSSZES BIZTONSÁGI FIGYELMEZTETÉST, UTASÍTÁST, ILLUSZTRÁCIÓT ÉS SPECIFIKÁCIÓT. Az alább felsorolt utasítások be nem tartása áramütést, tűzveszélyt és/vagy súlyos sérülést idézhet elő.

ŐRIZZEN MEG MINDEN UTASÍTÁST ÉS FIGYELMEZTETÉST, HOGY KÉSŐBB IS ELŐ TUDJA MAJD VENNI.

A figyelmeztetéseken szereplő „szerszám” kifejezés az Ön hálózati (vezetékes) vagy akkumulátoros (vezeték nélküli) gépére vonatkozik.

MUNKATERÜLETI BIZTONSÁG

- A munkaterület legyen tiszta és jól megvilágított. A munkaterületen uralkodó rendetlenségnek vagy a rossz megvilágításnak baleset lehet a következménye.
- Ne használja a szerszámot robbanásveszélyes környezetben, például olyan helyen, ahol éghető folyadékok, gázok vagy porok találhatók. A szerszám szikrákat képez, amelyek meggyújthatják a port vagy gázt.
- Tartsa távol a gyermekeket és a közelben tartózkodó személyeket, amikor a szerszámmal dolgozik. Ha megzavarják, elveszítheti uralmát a készülék felett.

ELEKTROMOS BIZTONSÁG

- A szerszám csatlakozóinak illeszkedniük kell az aljzathoz. Soha és semmiképpen se módosítsa a csatlakozódugót. Ne használjon adapteres csatlakozódugókat a (földelt) szerszámokhoz. Az eredeti csatlakozódugó és megfelelő hálózati aljzat alkalmazásával megelőzi az áramütés veszélyét.
- Ne érjen földelt felületekhez, ilyenek pl. a csövek, fűtőtestek, tűzhelyek vagy hűtőszekrények. Az áramütés kockázata nagyobb, ha a teste le van földelve.
- Ne tegye ki a szerszámot esőnek vagy nedves körülményeknek. A gépbe jutó víz növeli az áramütés kockázatát.
- Ne használja a kábelt helytelen módon. Soha ne a vezetéknel fogva hordozza, húzza, vagy válassza le a szerszámot. Tartsa távol a vezetéket hőtől, olajtól, éles szegélyektől és mozgó alkatrészekről. A sérült vagy összegabalyodott hálózati kábelek megnövelik az áramütés veszélyét.
- A szerszám szabadtéri üzemeltetéséhez használjon

szabadtéren használható hosszabbító kábelt. A szabadtéren használható kábel alkalmazása csökkenti az áramütés kockázatát.

- Ha elkerülhetetlen, hogy a gépet nedves helyen működtesse, használjon földelő áramköri megszakítóval (GFCI) ellátott tápellátást. A GFCI használata csökkenti az áramütés veszélyét.

SZEMÉLYI BIZTONSÁG

- Legyen éber, ügyeljen rá, mit csinál, és járjon el a józanul a szerszám használata során. Ne használja a gépet, ha fáradtnak érzi magát, vagy ha kábítószert, alkoholt vagy gyógyszerek hatása alatt áll. A szerszámok üzemeltetése közben egy pillanatra figyelmeztetés is súlyos személyi sérülést okozhat.
- Használjon egyéni védőfelszerelést. Mindig viseljen védőszemüveget. A védőfelszerelések – mint például porvédő maszk, csúszásmentes lábbeli, sisak és hallásvédő – rendeltetészerű használata révén elkerüli a személyi sérüléseket.
- Akadályozza meg a véletlen indítást. Ügyeljen arra, hogy a kapcsoló kikapcsolt állásban legyen, mielőtt az áramforráshoz és/vagy az akkumulátoregységhez csatlakoztatja, felveszi vagy vízi a szerszámot. Balesethez vezethet, ha a hálózatra csatlakoztatott szerszámot úgy viszi, vagy a hálózati csatlakozódugót úgy csatlakoztatja az aljzathoz, hogy közben az ujjá a bekapcsoló gombon van.
- A szerszám bekapcsolása előtt távolítsa el minden beállító kulcsot vagy csavarkulcsot. Személyi sérülést okozhat, ha a szerszámban felejtett csavarkulcs vagy beállító kulcs forgó alkatrészhez ér.
- Ne hajoljon a készülék fölé. Vegyen fel stabil testhelyzetet, és mindig tartsa meg az egyensúlyát. Ez lehetővé teszi a szerszám jobb irányítását váratlan helyzetekben.
- Viseljen megfelelő ruházatot. Ne hordjon laza, bő ruhát, és ne viseljen ékszert. A haj, a ruházat ne érjen a mozgó részekhez. A laza ruházatot, az ékszert vagy a hosszú hajat becsiphetik a mozgó alkatrészek.
- Ha az elektromos kéziszerszámot porfelszívó vagy porfelfogó eszközzel szerelik fel, akkor győződjön meg arról, hogy ezek előírászerűen vannak-e csatlakoztatva, és használja őket a rendeltetésüknek megfelelően. Porgyűjtő használata csökkentheti a porral járó veszélyeket.
- Ne hagyja, hogy a rendszeres használat során megszerzett tapasztalat miatt túl magabiztosá váljon, és emiatt figyelmen kívül hagyja a biztonsági irányelveket. Egy óvatlan cselekedet a másodperc töredéke alatt súlyos sérülést okozhat.

HU

A GÉP HASZNÁLATA ÉS GONDOZÁSA

- **Ne erőltesse a gépet.** Használja az alkalmazásának megfelelő szerszámot. A megfelelő szerszámmal jobban és biztonságosabban dolgozhat a megadott teljesítményhatárokon belül.
- **Ne használja a szerszámot, ha nem lehet a bekapcsoló gombbal be- vagy kikapcsolni.** Az olyan szerszám, amely nem irányítható a kapcsolóval, veszélyes és javításra szorul.
- **Húzza ki a hálózati csatlakozó dugót az aljzatból és/ vagy vegye ki az akkumulátoregységet a gépből, mielőtt beállításokat végezne, tartozékokat cserélne vagy a gépet elrakná.** A megelőző biztonsági óvintézkedések csökkentik a szerszám véletlen beindításának kockázatát.
- **A használaton kívüli szerszámot tartsa gyermekek elől elzár helyen, és ne engedje, hogy olyanok használják a szerszámot, akik nem ismerik a szerszámot vagy a jelen használati útmutatót.** A szerszám veszélyt jelent, ha gyakorlatlan felhasználó kezébe kerül.
- **Gépek és tartozékok karbantartása.** Ellenőrizze a mozgó alkatrészek beállítását és rögzítését, vizsgáljon meg minden alkatrészt, hogy nem sérült-e, és ellenőrizze, nem állnak-e fenn olyan körülmények, amelyek befolyásolhatják a gép működését. Ha sérült, használat előtt javíttassa meg a szerszámot. A rosszul karbantartott szerszám sok balesetet okoz.
- **Tartsa a vágószerszámokat éles, tiszta állapotban.** A megfelelően karbantartott és megélezett vágóélekkel rendelkező vágószerszámok kevésbé hajlamosak az elgörbülésre, valamint könnyebben kezelhetők.
- **A szerszámot, tartozékokat és szerszámfejeket, stb. mindig a biztonsági utasításoknak megfelelően használja, figyelembe véve a munkakörülményeket és az elvégezni kívánt munkafolyamatot.** A szerszám rendeltetési céltól eltérő használata veszélyes helyzetet eredményezhet.
- **Tartsa szárazon, tisztán, olajtól és zsírtól mentesen a fogantyúkat és a tartófelületeket.** A csúszós fogantyúk és markolatok miatt a szerszám kezelése és vezérlése váratlan helyzetekben nem biztonságos.

AZ AKKUMULÁTOROS SZERSZÁM HASZNÁLATA ÉS GONDOZÁSA

- **Csak a gyártó által meghatározott töltőt használja.** Az olyan töltő, amely egy típusú akkumulátoregységhez alkalmas, tűzveszélyt okozhat, ha más típusú akkumulátoregységhez használja.

- **A készülékeket csak a kifejezetten hozzá készült akkumulátoregységekkel használja.** Bármely más akkumulátoregység használata sérülés- vagy tűzveszélyt okozhat.
- **Amikor nem használja az akkumulátoregységet, tartsa távol más fémtárgyaktól, például gemkapcsoktól, érméktől, kulcsoktól, szögektől, csavaroktól vagy más kis fémtárgyaktól, amelyek kapcsolatba léphetnek vele.** Az akkumulátorok kapcsainak rövidzárlata égési sérülést vagy tüzet okozhat.
- **Nem megfelelő körülmények között folyadék szivároghat az akkumulátorból; ügyeljen rá, hogy ne kerüljön érintkezésbe vele. Amennyiben véletlenül hozzáérne, mossa le vízzel. Ha ez a folyadék szembe kerül, forduljon orvoshoz.** Az akkumulátorból kiszivárgó folyadék irritációt vagy égési sérülést okozhat.
- **Ne használjon sérült, módosított akkumulátoregységet vagy szerszámot.** A sérült vagy módosított akkumulátorok előre nem látható módon viselkedhetnek, aminek eredménye tűz, robbanás vagy sérülésveszély lehet.
- **Ne tegye ki az akkumulátoregységet és a szerszámot tűznek vagy túl magas hőmérsékletnek.** Ha tűznek, vagy 130 °C feletti hőmérsékletnek teszi ki, akkor felrobbanhat.
- **Tartsa be a töltésre vonatkozó utasításokat, és ne töltsé az akkumulátoregységet vagy a szerszámot az utasításokban meghatározott hőmérséklet-tartományon kívül.** A nem megfelelő vagy a meghatározott hőmérséklet-tartományon kívüli töltés károsíthatja az akkumulátort, és növeli a tűzveszélyt.

SZERVIZ

- **A gépet szakképzett személlyel, eredeti cserealkatrész felhasználásával javíttassa meg.** Ezzel biztosítja a szerszám biztonságának fenntartását.
- **Soha ne szervizeljen sérült akkumulátoregységeket.** Az akkumulátoregységek szervizelését csak a gyártó vagy a felhatalmazott szerviz szolgáltató végezheti.

FÚVÓ/SZÍVÓ BIZTONSÁGI FIGYELMEZTETÉSEK

- **Ne használja a gépet kedvezőtlen időjárási körülmények között, különösen, ha fennáll a villámlás veszélye.** Ez megnöveli annak veszélyét, hogy eltalálja a villám.

- **Gyakran ellenőrizze a hulladékgyűjtőt, nem kopott vagy sérült-e meg.** A kopott vagy sérült hulladékgyűjtő megnövelheti a személyi sérülés kockázatát.
- **Viseljen szem- és fülvédőt.** A megfelelő védőfelszerelés csökkenti a személyi sérülés kockázatát.
- **A gép működtetése közben mindig viseljen csúszásmentes munkavédelmi cipőt. Ne használja a gépet mezítláb és nyitott lábbeliben.** Így csökkenti a lábakat sérülésének kockázatát.
- **Ne viseljen laza ruházatot vagy olyan tárgyakat, mint például sálak, zsinórok, láncok, nyakkendők stb., amelyek a légbeömlőkbe kerülhetnek.** A hosszú hajat kösse hátra vagy fedje le, hogy ne kerüljön a légbeömlőkbe. Ha a fentiek közül bármelyik a légbeömlőkbe kerül, az növelheti a személyi sérülés kockázatát.
- **Tartsa távol a közelben tartózkodó személyeket, amikor a gépet használja.** A kidobott törmelék növelheti a személyi sérülés kockázatát.
- **Ne használja a szívó üzemmódot, ha nincs a helyén a törmelékgyűjtő.** A kidobott tárgyak növelhetik a személyi sérülés kockázatát.
- **Soha ne irányítsa a fúvó fejét emberek vagy háziállatok felé, illetve az ablakok irányába. Legyen különösen óvatos, amikor szilárd tárgyak, például fák, autók és falak közelében fújja a törmelékét, amelyek a törmelék visszapattnását okozhatják.** A ledobott tárgyak kárt tehetnek a tulajdonban, és növelhetik a személyi sérülések kockázatát.
- **Ne használja a gépet égő vagy füstölő tárgyak, például cigaretta, gyufa vagy forró hamu felszedésére vagy fúvására.** Ezek a gyújtóforrások növelhetik a tűzveszélyt.
- **Ne szívjon vizet vagy egyéb folyadékokat, és ne merítse folyadékba a gép egyetlen részét sem.** A gépbe bekerülő víz megnöveli az áramütés veszélyét.
- **Ne szívjon köveket, kavicsot, fémet vagy törött üveget.** A ventilátor kereke megsérülhet, és megnövelheti a személyi sérülés kockázatát.
- **Ne érintse meg a ventilátort mozgása közben.** Kapcsolja ki a gépet, és várja meg, amíg a ventilátor leáll, mielőtt eltávolítana olyan alkatrészt, ami hozzáférést biztosíthat a ventilátorhoz. Ez csökkenti a mozgó alkatrészek által okozott sérülésének kockázatát.
- **Az elakadt anyag eltávolításakor vagy a gép szervize esetén győződjön meg arról, hogy a főkapcsoló ki van kapcsolva.** Ha a gép váratlanul működésbe lép, miközben a beszorult anyagot

eltávolítják vagy a gépet szervizelik, az súlyos személyi sérüléseket okozhat.

A KÉSZÜLÉK HASZNÁLATA ELŐTT OLVASSA EL AZ ÖSSZES UTASÍTÁST!

KÉPZÉS

- **Soha ne engedélyezze a gép használatát olyan gyermekeknek, személyek akik csökkent fizikai, érzékszervi vagy szellemi képességekkel rendelkeznek, vagy nem rendelkeznek kellő belátással és tudással a készülékről.**
- **A szerszám működtetője a felelős azokért a balesetekért vagy veszélyekért, amelyek más embereket érintenek vagy mások vagyontárgyait érintik.**

ELŐKÉSZÍTÉS

- **A gép esőben vagy nedves körülmények között is használható. A munka befejezése után szárítsa meg a gépet.**
- **Használat előtt ellenőrizze, hogy az akkumulátor vagy az akkumulátoregység nem sérült-e.** Ne használja ezt a készüléket, ha az akkumulátor vagy az akkumulátoregység sérült.

HASZNÁLAT

- **A gép esőben vagy nedves körülmények között is használható. A munka befejezése után szárítsa meg a gépet.**
- **Vegye ki az akkumulátort vagy akkumulátoregységet:**
 1. Amikor otthagyja a gépet;
 2. Mielőtt megszüntetne egy eltömődést;
 3. Mielőtt ellenőrizi, tisztítja vagy bármilyen más munkát végez a készüléken;
 4. Ha a gép szokatlan módon elkezd rázkódní.
- **Ha lejtős terepen dolgozik, mindig ügyeljen arra, hova lép.**
- **Sétáljon, soha ne fusson.**
- **Az összes hűtőlevegő-bemenet legyen mentes a szeméttől.**
- **Javasoljuk, hogy a gépet csak elfogadható időben használja – ne kora reggel, késő este, amikor zavarhatja az embereket.**
- **Javasoljuk, hogy poros körülmények között nedvesítse meg a felületet, vagy használja a porlasztó tartozékokat.**

HU

▲ FIGYELMEZTETÉS: Forgó alkatrészek általi veszély!

- Használja a teljes gép szívófej hosszabbítást, így a levegőáramot a talajhoz közel használhatja.
- Ne működtesse a gépet nyitott ablakok stb. közelében.

KARBANTARTÁS ÉS TÁROLÁS

- Az összes csavar, alátét és hasonló rész legyen jól meghúzva, hogy a gép biztonságos munkaállapotban legyen.
- Az elkopott vagy megsérült részeket cserélje ki.
- Csak eredeti pótalkatrészeket és tartozékokat használjon.
- Csak száraz helyen tárolja a készüléket.

▲ FIGYELMEZTETÉS: A tűzveszély, áramütés vagy sérülés kockázatának csökkentése érdekében:

FONTOS

HASZNÁLAT ELŐTT FIGYELMESEN OLVASSA EL.

ŐRIZZE MEG KÉSŐBBI HASZNÁLATRA.

- Ne engedje, hogy a gépet játékként használják. Fokozottan figyeljen, ha gyerekek közelében használja a készüléket.
- Ha a gép nem megfelelően működik, leesett, megsérült vagy vízbe esett, akkor vigye be a szervizbe.
- Ne tegyen semmilyen tárgyat a nyílásokba. Ne használja, ha bármelyik nyílás blokkolva van; tartsa a nyílásokat portól, szősztől, hajtól és minden olyan tárgytól szabadon, amely csökkentheti a levegő áramlását.
- Legyen rendkívül óvatos, amikor lépcsőkön végez tisztítást.
- Ne hagyja felügyelet nélkül a gépet, ha az akkumulátor dugója be van dugva. Vegye ki az akkumulátort, amikor nem használja a gépet és szervizelés előtt.
- Ne nyúljon a töltőhöz, a töltő csatlakozódugójához vagy csatlakozásaihoz vizes kézzel.
- Ne töltsen az akkumulátort kültéren.

▲ FIGYELMEZTETÉS:

- Az akkumulátoregységet ki kell venni, mielőtt kicselejtezi a készüléket.
- Az akkumulátort biztonságosan kell ártalmatlanítani.

- **NE** próbálja meg kitisztítani az eltömődést az egységből, míg előtte ki nem vette az akkumulátort.
- **Tartsa szárazon, tisztán, olajtól és zsírtól mentesen a gépet és a fogantyúját.** Mindig használjon tiszta ruhát a tisztításhoz. Soha ne használjon fékfolyadékot, benzint, ásványolaj-alapú termékeket vagy más erős oldószereket a gép tisztításához. Ha betartja ezt a szabályt, akkor csökkenti annak veszélyét, hogy elveszítheti az uralmát a készülék felett, és megelőzi a védő műanyagburkolat sérülését.
- **Az akkumulátorok gyújtóforrás, például jelzőfény, jelenlétében felrobbanhatnak.** A súlyos személyi sérülések kockázatának csökkentése érdekében soha ne használja a vezeték nélküli terméket nyílt láng jelenlétében. A felrobbant akkumulátor törmelékekre és vegyszerekre bomlik. Ha fennáll a robbanás veszélye, azonnal öntse le a vízzel.
- **Soha ne üzemeltesse az egységet megfelelően felhelyezett felszerelés nélkül.** Mindig győződjön meg arról, hogy a gépcső be van szerelve.
- **Soha ne használja a gépet tűz vagy forró hamu közelében.** Amennyiben tűz vagy hamu közelében használja, akkor az súlyos sérülést és/vagy anyagi kárt okozhat.
- **Soha ne használja a gépet vegyszerek, műtrágyák vagy más mérgező anyagok kiszórására.** Ha ezt teszi, az a kezelő vagy a nézelődők súlyos sérülését okozhatja.
- **Őrizze meg ezt az utasítást. Időnként olvassa át, és használja, amikor másokat betanít a gép használatára.** Ha valakinek kölcsönadja a gépet, akkor adja át a használati útmutatót is a helytelen használat és lehetséges sérülések megelőzése érdekében.

ŐRIZZE MEG EZEKET AZ UTASÍTÁSOKAT!

JELLEMZŐK

Névleges feszültség		56 V ---
Lombfűvő	Maximális légmennyiség	850 m ³ /h
	Maximális levegő sebesség	64 m/s (csak fűvócsővel) 93 m/s (kúpos szívófejjel)
	Maximális fűvóerő	15 N
Lombszak kapacitása		40 liter
Max. Aprítási sebesség		16 : 1
Súly (akkumulátoregység és szívófej nélkül)		5.8 kg (vákuum) 4.2 kg (lombfűvő)
Javasolt üzemi hőmérséklet		-15°C-40°C
Javasolt tárolási hőmérséklet		-20°C-70°C
Javasolt töltési hőmérséklet		5°C-40°C
Mért hangteljesítményszint L _{WA}		100 dB(A) K=1.9 dB(A)
Hangnyomásszint munkahelyzetben L _{PA}		88 dB(A) K=3 dB(A)
Garantált hangteljesítményszint L _{WA} (2000/14/EK szerint)		102 dB(A)
Vibráció a _h		Max. 1.80 m/s ² K=1.5 m/s ²

- A névleges rezgési összérték mérése standard bevizsgálási módszerrel történt, és használatával a szerszámok egymással összehasonlíthatók.
- A névleges rezgési összérték a kockázat előzetes felméréséhez is felhasználható.

MEGJEGYZÉS: A rezgés-kibocsátás az elektromos szerszám aktuális használata közben eltérhet attól a névleges értéktől, amellyel a szerszámot használják: a kezelő védelme érdekében a használónak kesztyűt és hallásvédőt kell használnia működtetés közben.

A CSOMAG TARTALMA (A1 ÁBRA)

LEÍRÁS

ISMERJE MEG A LOMBSZÍVÓT (A1 ábra)

1. Szívófej
2. Szívócső
3. Hordozófogantyú a vákuumegységhez
4. Levegőbeszívó rács
5. Elülső fogantyú
6. Akkumulátor kioldógomb
7. Sebességröggitő tárcsa
8. Vállpánt akasztó
9. Fő fogantyú
10. Légsebesség szabályozó ravasz
11. Levélgyjűtő zsák
12. Vállsij
13. Elektromos érintkezők
14. Zár
15. Lombfűvő cső
16. Kúpos szórófej

ÖSSZESZERELÉS

⚠ FIGYELMEZTETÉS: Ha bármely alkatrész sérült vagy hiányzik, akkor addig ne használja a terméket, amíg az alkatrész(ek) cseréje meg nem történik. Sérült vagy hiányzó alkatrészekkel történő használat súlyos személyi sérülést okozhat.

⚠ FIGYELMEZTETÉS: Ne próbálja megváltoztatni a terméket, és ne készítsen hozzá tartozékokat, amelyek nem javasoltak ehhez a termékhez. Bármilyen módosítás vagy változtatás helytelen használatnak minősül, és veszélyes feltételeket teremthet, amely súlyos személyi sérüléssel végződhet.

⚠ FIGYELMEZTETÉS: Az akár súlyos személyi sérülést okozó véletlenszerű indítás elkerülése érdekében mindig vegye ki az akkumulátoregységet a gépből, amikor összeszereli az alkatrészeket.

MEGJEGYZÉS: A gépet csak akkor lehet elindítani, ha a fűvócső vagy a vákuumegység és a levélgyjűtő zsák teljesen és helyesen össze van szerelve.

A LOMBFŰVŐ CSŐ FELHELYEZÉSE/LEVÉTELE

HU

Felhelyezés (B1 és B2 ábra)

Illessze be a hornyot, és tolja be a csövet a lombfűvó házába, amíg a fűvócső reteszelő karja nem rögzül a helyén.

B-1	Lombfűvó cső reteszelő kar
-----	----------------------------

Levétél (B3 ábra)

Nyomja meg a fűvó reteszelő karját a retesz kioldásához, majd vegye ki a csövet.

A LOMBFŰVÓ KÚPOS SZÍVÓFEJÉNEK FELHELYEZÉSE/LEVÉTELE

Felhelyezés (C1 és C2 ábra)

Illessze a hornyot a szórófejebe a cső gombjával, és tolja a szórófejet a csőre, amíg a helyére nem kattann.

Kivétel (C3 ábra)

Nyomja meg és tartsa lenyomva a szórófej kioldógombot a zár kioldásához, majd egyenesen húzza le a szórófejet a lombfűvóról.

A VÁKUUMEGYSÉG ÖSSZESZERELÉSE/ELTÁVOLÍTÁSA

A szívófej összeszerelése (D ábra)

MEGJEGYZÉS: Miután a vákuumfűvókát és a vákuumcsövet először csatlakoztatta, olyan vákuumegységet alkotnak, amelyet nem lehet szétszedni.

Igazítsa be a hornyot, és nyomja a fejet a szívócsőre, amíg a szívófej reteszelő karja nem rögzül a helyén.

A vákuumegység összeszerelése

1. Nyomja meg a szívócső reteszelő karját a levegőbeszívó rács kioldásához, majd nyissa ki a rácsot (E1 és E2 ábra).

E-1	Szívócső reteszelő kar
-----	------------------------

2. Igazítsa a vákuumegység két megemelt, négyzet alakú sarkát a levegőbevezetés két sülyesztett, négyzet alakú hornyához az E3 ábrán látható módon, hogy a szerelvényt rögzítse.
3. Nyomja a vákuumegységet a levegőbevezetés felé, amíg a szívócső reteszelő karja nem reteszlődik (E4 ábra).
4. Nyomja rá a levegőbeszívó rácsot a lombfűvóra (E5 ábra).

A levélgűjtő zsák összeszerelése (F ábra)

1. Illessze be a hornyot, és tolja a levélgűjtő zsák csatlakozóját a szívóházra, amíg a levélgűjtő zsák reteszelő karja nem rögzül a helyén.

F-1	Levélgűjtő zsák csatlakozó	F-3	Levélgűjtő zsák akasztó fül
F-2	Levélgűjtő zsák reteszelő kar		

2. Akassza a levélszak akasztó fülét a lombfűvó akasztójára, ahogy az az F ábrán látható.

A levélgűjtő zsák eltávolítása és kiürítése (G1 ábra)

1. Vegye le a levélszak akasztó fülét a lombfűvó akasztójáról.
2. Nyomja meg a levélgűjtő zsák reteszelő karját a retesz kioldásához, majd vegye ki a zsákot.
3. Nyissa ki a cipzárat a levélgűjtő zsák kiürítéséhez.

G-1	Cipzár
-----	--------

A vákuumegység eltávolítása (G2 és G3 ábra)

1. Nyomja meg a szívócső reteszelő karját a cső kioldásához.
2. Vegye ki a vákuumegységet.
3. Nyomja a levegőbeszívó rácsot a levegőbevezetés felé, amíg a reteszelő kar ki nem old.

A VÁLLSZÍJ FELSZERELÉSE (H ábra)

Nyomja le a szíj karabinereket, hogy kinyíljanak, és rögzítse őket a gép mindkét végén lévő vállszíj-akasztóra.

A szíj kioldásának kétféle módja van. Vegye le közvetlenül a vállról, vagy nyomja le az egyik karabinerét, hogy a vállpántot levállassza a vállszíj-akasztóról.

⚠ FIGYELMEZTETÉS: A vállszíj viselése során semmilyen más hordható eszköz nem akadályozhatja a vállszíj kioldását és eltávolítását.

⚠ FIGYELMEZTETÉS: Ha vészhelyzet adódik, akkor azonnal vegye le a vállról, függetlenül attól, hogyan van feltéve a szíj.

⚠ FIGYELMEZTETÉS: Ne használja a szimpla és a dupla vállszíjat egyidejűleg.

⚠ FIGYELMEZTETÉS: Ne használja egyszerre a vállszíjat és a BH1000 EGO hátizsák-kapcsolót. Ez megakadályozza a gép gyors vészhelyzeti kioldását, ami személyi sérüléshez vezethet.

HASZNÁLAT

▲ FIGYELMEZTETÉS: Ügyeljen rá, nehogy a termékkel szerzett jártassága miatt óvatlanná váljon. Emlékezzen arra, hogy a másodperc töredéke alatt történő óvatlanság súlyos sérülést okozhat.

▲ FIGYELMEZTETÉS: Mindig viseljen oldalsó védőlemezzel ellátott védőszemüveget és hallásvédőt. Amennyiben nem ezt teszi, tárgyak repülhetnek a szemébe, és más komoly sérülések keletkezhetnek.

▲ FIGYELMEZTETÉS: A véletlenszerű indítás elkerülése érdekében, amely súlyos személyi sérülést okozhat, mindig vegye ki az akkumulátoregységet a szerszámból, amikor összeszereli az alkatrészeket, beállításokat, tisztítást végez, vagy amikor nem használja.

▲ FIGYELMEZTETÉS: Ne használjon a termék gyártója által nem javasolt tartozékokat. A nem javasolt tartozékok használata súlyos személyi sérüléseket okozhat.

Minden használat előtt ellenőrizze a teljes terméket sérülések, hiányzó vagy laza alkatrészek, pl. csavarok, anyák, alátétek, sapkák stb. szempontjából. Biztonságosan húzzon meg minden rögzítőt és sapkát, és ne használja a terméket addig, amíg a sérült vagy hiányzó alkatrészeket ki nem cserélték.

ALKALMAZÁSOK

A terméket az alább felsorolt célokra használhatja:

- A levelek, fűnyesedék és egyéb törmelék összegyűjtése.
- Kemény felületek megtisztítása, pl. úttestek és járdák.
- A teraszok és a feljárók levelektől való mentesítése.

FIGYELMEZTETÉS: A szerszámot kizárólag a meghatározott célokra használja. Bármilyen más használat helytelen használatnak minősül.

AZ AKKUMULÁTOREGYSÉG BERAKÁSA/ KIVÉTELE

Csak az A2 ábrán felsorolt EGO akkumulátoregységeket és töltőket használja.

MEGJEGYZÉS: Az első használat előtt teljesen töltsen fel az akkumulátoregységet.

Csatlakoztatás

Illessze az akkumulátor bordázatát az akkumulátorban lévő szerelőnyílásokhoz, és nyomja le az akkumulátoregységet, amíg kattantást nem hall (I1 ábra).

Kivétel (I2 ábra)

Oldja ki az akkumulátor kioldógombot, és húzza ki az akkumulátoregységet (I2 ábra).

▲ FIGYELMEZTETÉS: Mindig ügyeljen a lába alatti területre, gyermekekre vagy kis állatokra, amikor megnyomja az akkumulátor-kioldó gombot. Súlyos sérülést okozhat, ha az akkumulátoregység kiesik. SOHA ne vegye ki az akkumulátoregységet magasan lévő helyzetben.

A GÉP BEINDÍTÁSA/LEÁLLÍTÁSA

Csak levegősebesség szabályozó ravasz

1. Nyomja meg a levegősebesség szabályozó ravaszt a lombfúvó bekapcsolásához.
2. A lombfúvó levegősebessége az állítható sebességszabályozó ravasszal vezérelhető. A szabályozó ravaszra kifejtett nagyobb nyomás nagyobb levegősebességet eredményez; a szabályozó ravaszra kifejtett kisebb nyomás kisebb levegősebességet eredményez. A sebességet az aktuális feladat elvégzésének megfelelően állítsa be.
3. Engedje el a levegősebesség szabályozó ravaszt a lombfúvó kikapcsolásához.

Csak sebességrogzító tárcsa

A gép bármilyen sebességen rögzíthető a sebességrogzító tárcsával.

1. A gép indításához fordítsa a sebességrogzító tárcsát a közeli vállszi-akasztó felé. A levegősebesség a tárcsa elforgatásával növekszik, amíg el nem éri a maximális sebességet (MAX).
2. A levegősebesség csökkentéséhez fordítsa a sebességrogzító tárcsát az ellenkező oldalra.
3. A gép leállításához forgassa tovább a sebességrogzító tárcsát a kikapcsolt állásba (O).

MEGJEGYZÉS: Ha a sebességrogzító tárcsát nem tekeri vissza kikapcsolt állásba az akkumulátor eltávolítása előtt, a lombfúvó nem fog elindulni a teljesen feltöltött akkumulátor behelyezésekor. A véletlenszerű elindítás ellen a lombfúvó védelmi funkcióval rendelkezik. Nyomja meg a légsebesség szabályozó ravaszt a védelem kikapcsolásához, és indítsa el a lombfúvót.

TIPPEK A LOMBFÚVÓ HASZNÁLATÁHOZ (K ábra)

A gép fúvókaként való használatához kövesse az **ÖSSZESZERELÉS** fejezetben található utasításokat a vákuumegység beszereléséhez.

- Ahhoz, hogy a hulladék ne szóródjon szét, a hulladék halom külső szélein fújjon. Soha ne fújjon közvetlenül a halom középpontjába.

- A zajszint csökkentése érdekében korlátozza az egyszerűen használt elektromos gépek számát.
- Lombfűvés előtt használja a gereblyét és seprőt a hulladék fellazításához. Poros körülmények között nedvesítse meg a felületet, ha van víz a közelben.
- A lombfűvő használatával vizet takarít meg számos Lawn & Garden alkalmazásnál az olyan területeken is beleértve, mint esővízcsatornák, védőfalak, udvarok, grillek, kapualjak és kertek.
- Ügyeljen a gyermekekre, állatokra, nyitott ablakokra, vagy frissen lemosott autókra, és a hulladékot biztonságosan más irányba fújja.
- A lombfűvő vagy más felszerelés használata után tisztítsa meg! Megfelelően ártalmatlanítsa a hulladékot.

TANÁCSOK A VAKUUM HASZNÁLATÁHOZ (L ábra)

A gép szívásként való használatához kövesse az **ÖSSZESZERELÉS** fejezetben található utasításokat a vákuumegység, levélgyűjtő zsák és váltszij beszereléséhez.

- Gyakran ellenőrizze a levélgyűjtő zsákot, hogy nem kopott vagy sérült-e meg.
- A porfelverés elkerülése érdekében a gép elindítása előtt zárja be teljesen a levélgyűjtő zsák cipzárját.
- Üritse ki a levélgyűjtő zsákot, mielőtt azt megtelne.
- Annak érdekében, hogy megakadályozza a víz bejutását a gépbe, a géppel a talajról gyűjtse össze a nedves leveleket, ne pedig a medencéből.
- Ne engedje, hogy műanyag zacskók, ruhák és más, nehezen törhető és könnyen belegabalyodó tárgyak kerüljenek a gép belsejébe.
- Ne engedje, hogy kemény anyagokat, például nagyméretű faforgácsot, fémeket, üveget, kavicsokat stb. szívjon be a gépbe.

KARBANTARTÁS

▲ FIGYELMEZTETÉS: Szervizeléskor csak azonos cserealkatrészeket használjon. Bármilyen más alkatrész használata veszélyt okozhat, vagy megrongálhatja a terméket. A biztonságosság és megbízhatóság biztosítása érdekében minden javítást szakképzett szerviztechnikusnak kell elvégeznie.

▲ FIGYELMEZTETÉS: A súlyos személyi sérülések elkerülése érdekében mindig vegye ki az akkumulátoregységet a termékből tisztítás vagy karbantartás alatt.

ÁLTALÁNOS KARBANTARTÁS

A műanyag alkatrészek tisztításához ne használjon oldószereket. A legtöbb műanyag különböző vegyi oldószerek hatására károsodik, ezek megrongálhatják őket. Használjon tiszta ruhát a szennyeződés, por, olaj, zsír, stb. eltávolításához.

▲ FIGYELMEZTETÉS: Fékolaj, üzemanyag, petróleum alapú termékek, behatoló olajok stb. soha ne érintkezzenek a műanyag alkatrészekkel. A vegyszerek megrongálhatják, gyengíthetik vagy megtámadhatják a műanyagot, ezáltal súlyos személyi sérülést okozhatnak.

TÁROLÁS

- Vegye ki az akkumulátort a gépből.
- Távolítson el minden idegen anyagot a lombfűvő levegőbemeneteiből.
- Gyermekek számára nem elérhető, zárt helyen tárolja. Tartsa távol maró hatású szerektől, például kerti vegyszerektől, és jégmentesítő sótól.

Környezetvédelem



Ne dobja az elektromos felszerelést, az elhasznált akkumulátort és a töltőt a háztartási hulladékok közé!

Vigye hivatalos újrahasznosító telephelyre, és tegye hozzáférhetővé a szelektív gyűjtéshez. Az elektromos eszközöket megfelelő környezetbarát újrahasznosító üzembe kell vinni.

HIBAE LHÁRÍTÁS

PROBLÉMA	OK	MEGOLDÁS
A lombszívó nem működik.	<ul style="list-style-type: none"> ■ Nincs elektromos érintkezés a lombszívás és az akkumulátoregység között. ■ Az akkumulátoregység lemerült. ■ Az akkumulátoregység vagy a lombfúvó túl forró. ■ A gép nincs teljesen összeszerelve. 	<ul style="list-style-type: none"> ■ Vegye ki az akkumulátoregységet, ellenőrizze a csatlakozásokat, és helyezze vissza az akkumulátoregységet. ■ Töltse fel az akkumulátoregységet. ■ Hagyja kihűlni az akkumulátoregységet és a lombszívót 67 °C alatti hőmérsékletre. ■ A gép teljes és helyes összeszereléséhez kövesse az Összeszerelés szakaszban található utasításokat.
A levegő sebesség jelentősen csökken.	<ul style="list-style-type: none"> ■ A levegőbemenetet hulladék tömíti el. ■ A motor ventilátor túlzott kopása. ■ Túl sok törmelék van a levélgyűjtő zsákban. 	<ul style="list-style-type: none"> ■ Vegye ki az akkumulátorokat, és távolítsa el a törmeléket. ■ Forduljon az EGO szervizközponthoz a javításhoz. ■ Ürítse ki a levélgyűjtő zsákat az ÖSSZESZERELÉS fejezetben található A levélgyűjtő zsák eltávolítása és kiürítése fejezetben leírtak szerint.

GARANCIA

EGO GARANCIÁLIS FELTÉTELEK

Kérjük, látogasson el az egopowerplus.eu oldalra, ahol megtalálja a részletes EGO garanciális feltételeket.

HU

CITIȚI TOATE INSTRUCȚIUNILE!



CITIȚI MANUALUL DE INSTRUCȚIUNI

⚠️ AVERTISMENT: Pentru siguranța și fiabilitatea produsului, toate reparațiile trebuie efectuate de către un tehnician de service autorizat.

⚠️ AVERTISMENT: Asigurați-vă că ați citit și înțelegiți toate instrucțiunile privind siguranța din acest Manual de utilizare, inclusiv toate simbolurile de alertă privind siguranța precum "PERICOL", "AVERTIZARE" și "ATENȚIE" înainte de a utiliza această sculă. Nerespectarea tuturor instrucțiunilor enumerate mai jos poate duce la electrocutare, incendiu și/sau vătămări corporale grave.

PĂSTRAȚI TOATE AVERTISMENTE ȘI INSTRUCȚIUNILE PENTRU CONSULTARE ULTERIOARĂ.

SIMBOLURI PRIVIND SIGURANȚA

⚠️ AVERTISMENT: Exploatarea oricăror scule electrice se poate solda cu ricoșarea de obiecte străine în ochii dumneavoastră, ceea ce se poate solda cu vătămarea gravă a ochilor. Înainte de a începe să utilizați scula electrică, echipați-vă întotdeauna cu ochelari de protecție cu apărători laterale și vizieră pentru față, atunci când este nevoie. Vă recomandăm să purtați o vizieră lată de protecție peste ochelarii de vedere sau ochelari de protecție standard cu apărători laterale.



Alertă privind siguranța



Pentru a reduce riscul de vătămare, utilizatorul trebuie să citească și să înțeleagă manualul de instrucțiuni înainte de a utiliza acest produs.



Purtați întotdeauna protecție pentru urechi și pentru ochi atunci când utilizați acest produs.



Țineți toți trecătorii la o distanță de cel puțin 15 m.



Nivel de putere acustică garantat. Emisii sonore în mediul înconjurător conform Directivei comunitare europene.



Acest produs este în conformitate cu directivele europene aplicabile.



Deșeurile produselor electrice nu trebuie să fie eliminate împreună cu deșeurile menajere. Predați-le unui punct de reciclare autorizat.



Acest produs este în conformitate cu legislația aplicabilă din Marea Britanie.



Curent continuu

IPX4

Protecție împotriva stropilor de apă

V

Tensiune

./min

Pe minut

mm

Milimetru

n_0

Turație de mers în gol

AVERTIZĂRI GENERALE DE SIGURANȚĂ PENTRU MAȘINI

⚠️ AVERTISMENT: CITIȚI TOATE AVERTISEMENTELE DE SIGURANȚĂ, INSTRUCȚIUNILE, ILUSTRĂȚIILE ȘI SPECIFICAȚIILE FURNIZATE ÎMPREUNĂ CU ACEST APARAT. Nerespectarea tuturor instrucțiunilor enumerate mai jos se poate solda cu șoc electric, incendiu și/sau vătămare corporală gravă.

PĂSTRAȚI TOATE AVERTISEMENTE ȘI INSTRUCȚIUNILE PENTRU CONSULTARE ULTERIOARĂ.

Termenul „mașină” din avertizări se referă la mașina dumneavoastră electrică (cu cablu) alimentată de la rețeaua electrică sau mașina (fără cablu de alimentare) care funcționează cu acumulator.

SIGURANȚA ZONEI DE LUCRU

- **Păstrați zona de lucru curată și bine iluminată.** Zonele dezordonate și întunecoase predispun la accidente.
- **Nu puneți în funcțiune mașini în atmosfere explozive, cum ar fi în prezența lichidelor, gazelor sau prafurilor inflamabile.** Mașinile creează scântei, care pot aprinde praful sau gazele.
- **Țineți copiii și persoanele prezente la distanță atunci când utilizați o mașină.** Distragerea atenției vă poate face să pierdeți controlul.

SIGURANȚA ELECTRICĂ

- **Ștecherile mașinilor trebuie să corespundă cu priza electrică.** Nu modificați niciodată ștecherul în vreun fel. Nu utilizați ștechere adaptoare de priză cu mașinile echipate cu împământare. Ștecherile nemodificate și prizele adecvate vor reduce riscul de electrocutare.
- **Evitați contactul corpului cu suprafețele legate la împământare, cum sunt țevile, caloriferele, mașinile de gătit și frigiderere.** Există un risc crescut de șoc electric dacă corpul dumneavoastră este legat la pământ sau împământat.
- **Nu expuneți mașinile la ploaie sau la condiții de umezeală.** Apa care pătrunde în interiorul mașinii va crește riscul de electrocutare.
- **Nu folosiți în mod abuziv cablul de alimentare.** Nu utilizați niciodată cablul de alimentare pentru transportul, tragerea sau scoaterea din priză a mașinii. Țineți cablul departe de căldură, ulei, margini ascuțite sau piese în mișcare. Cablurile electrice deteriorate sau încălcite cresc riscul de electrocutare.

- **Când utilizați o mașină în aer liber utilizați un cablu prelungitor adecvat pentru utilizarea în aer liber.** Utilizarea unui cablu adecvat pentru utilizare în aer liber reduce riscul de electrocutare.
- **În cazul în care este inevitabil să folosiți o mașină într-o loc umedă, utilizați o sursă de alimentare protejată cu întrerupător de circuit cu împământare.** Utilizarea unui astfel de întrerupător reduce riscul de electrocutare.

SIGURANȚA PERSONALĂ

- **Păstrați-vă vigilența, urmăriți ceea ce faceți și apelați la bunul simț când utilizați o mașină.** Nu utilizați un aparat în timp ce sunteți obosit sau sub influența drogurilor, a alcoolului sau a medicamentelor. Un moment de neatenție în timp ce utilizați mașini se poate solda cu vătămări grave.
- **Utilizați echipamente individuale de protecție.** Purtați întotdeauna echipament de protecție oculară. Echipamentele de protecție, cum ar fi masca de praf, bocancii de protecție antiderapanți, cască sau antifoanele utilizate în condiții corespunzătoare, vor reduce vătămrile corporale.
- **Preveniți pornirea accidentală.** Asigurați-vă că întrerupătorul este în poziția oprit înainte de a conecta mașina la o sursă de alimentare și/sau set de acumulatori, înainte de a ridica sau de a transporta mașina. Transportul mașinilor cu degetul pe întrerupător sau acționarea mașinilor alimentate electric, predispuie la accidente.
- **Îndepărtați orice cheie de reglare sau cheie fixă înainte de a porni mașina.** O cheie lăsată într-o piesă rotativă a mașinii poate duce la vătămări.
- **Nu încercați să ajungeți în locuri inaccesibile.** Păstrați-vă stabilitatea și echilibrul în orice moment. Astfel veți avea un control mai bun asupra mașinii în situații neașteptate.
- **Îmbrăcați-vă corespunzător.** Nu purtați haine largi sau bijuterii. Păstrați părul și hainele departe de părțile mobile. Îmbrăcămintea largă, bijuteriile sau părul lung se pot prinde în piesele în mișcare.
- **În cazul în care sunt prevăzute dispozitive pentru conectarea instalațiilor de aspirare și colectare a prafului, asigurați-vă că acestea sunt conectate și utilizate în mod corespunzător.** Utilizarea dispozitivelor colectoare de praf poate reduce pericolele legate de praf.
- **Nu permiteți ca familiaritatea dobândită în urma utilizării frecvente a mașinilor să vă facă să neglijați sau să nesocotiți principiile de siguranță ale**

RO

mașinii. Un gest neglijent poate cauza răni grave într-o fracțiune de secundă.

UTILIZAREA ȘI ÎNGRIJIREA MAȘINII

- **Nu forțați mașina. Utilizați mașina potrivită pentru aplicația dumneavoastră.** Mașina corectă va face o treabă mai bună și mai sigură când este utilizată conform specificațiilor pentru care a fost concepută.
- **Nu utilizați mașina dacă întrerupătorul nu comută pe pozițiile pornit și oprit.** Orice mașină care nu poate fi controlată cu întrerupătorul este periculoasă și trebuie reparată.
- **Deconectați fișa de la sursa de alimentare și/sau pachetul de baterii de la mașină înainte de a face ajustări, de a schimba accesorii sau de a depozita mașinile.** Astfel de măsuri preventive reduc riscul de pornire accidentală a mașinii.
- **Păstrați mașinile inactivate într-un loc inaccesibil copiilor și nu permiteți persoanelor care nu sunt familiarizate cu mașina sau cu aceste instrucțiuni să opereze mașina.** Mașinile sunt periculoase în mâinile utilizatorilor neinstruiți.
- **Întrețineți mașina și accesoriile. Verificați dacă piesele mobile nu sunt nealiniate sau blocate, dacă piesele sunt rupte sau dacă există orice altă condiție care ar putea afecta funcționarea mașinii.** Dacă este deteriorată, reparați mașina înainte de utilizare. Multe accidente sunt cauzate de mașini prost întreținute.
- **Păstrați mașinile de tăiat ascuțite și curate.** Mașinile așchietoare întreținute corespunzător și cu muchii de tăiere ascuțite riscă mai puțin să se indoiască și sunt mai ușor de controlat.
- **Utilizați mașina, accesoriile și biturile de mașină etc. în conformitate cu aceste instrucțiuni, ținând cont de condițiile de lucru și lucrarea de efectuat.** Utilizarea mașinii pentru operații diferite de cele intenționate s-ar putea solda cu o situație periculoasă.
- **Mențineți mânerul și suprafețele de apucat uscate, curate și fără ulei și vaselină.** Mânerul și suprafețele de apucare alunecoase nu permit manevrarea în siguranță și controlul asupra mașinii în situații neașteptate.

UTILIZAREA ȘI ÎNGRIJIREA MAȘINILOR CU BATERIE

- **Reîncărcați numai cu încărcătorul specificat de producător.** Un încărcător adecvat pentru un tip de set de acumulatori poate prezenta risc de incendiu dacă este utilizat cu alt set de acumulatori.

- **Utilizați mașinile numai cu seturile de acumulatori special menționate.** Utilizarea oricărui alt set de acumulatori prezintă risc de accidente și incendii.
- **Când nu se utilizează setul de acumulatori, țineți-l departe de alte obiecte metalice precum clamele de hârtie, monedele, cheile, cuiele, șuruburile sau alte obiecte metalice mici care pot realiza o conexiune între borne.** Scurtcircuitarea bornelor bateriei poate produce arsuri sau un incendiu.
- **În condiții abuzive se poate scurge lichid din baterie; evitați contactul.** Dacă are loc contactul accidental, clătiți cu apă. Dacă lichidul intră în contact cu ochii, efectuați suplimentar un consult medical. Lichidul scurs din baterie poate produce iritații sau arsuri.
- **Nu utilizați un set de acumulatori sau o mașină deteriorată ori modificată.** Bateriile deteriorate sau modificate pot prezenta comportament imprevizibil, care poate duce la incendiu, explozie sau risc de vătămare.
- **Nu expuneți setul de acumulatori la foc sau mașina la temperaturi excesive.** Expunerea la foc sau la temperaturi de peste 130°C poate provoca explozie.
- **Respectați instrucțiunile de încărcare și nu încărcați setul de acumulatori sau mașina în afara intervalului de temperatură specificat în instrucțiuni.** Încărcarea necorespunzătoare sau la temperaturi în afara domeniului specificat poate duce la deteriorarea bateriei și la creșterea riscului de incendiu.

SERVICE

- **Duceți mașina electrică la depanat pentru a fi reparată de o persoană calificată utilizând numai piese de schimb identice.** Acest lucru va asigura menținerea siguranței mașinii.
- **Nu efectuați niciodată operații de service asupra seturilor de acumulatori deteriorați.** Depanarea acumulatorilor trebuie să fie efectuată numai de producător sau de prestatorii autorizați de servicii.

AVERTISMENTĂRI DE SIGURANȚĂ A SUFLANȚEI/ASPIRATORULUI

- **Nu folosiți scula în condiții meteorologice nefavorabile, mai ales atunci când există riscul de fulgere.** Acest lucru scade riscul de a fi lovit de fulgere.
- **Verificați frecvent colectorul de resturi pentru depistarea semnelor de uzură sau deteriorare.** Un colector de resturi uzat sau deteriorat poate crește riscul de vătămare corporală.

RO

- **Purtați ochelari de protecție și protecție pentru urechi.** Un echipament de protecție adecvat va reduce riscul de vătămare corporală.
- **În timpul utilizării sculei, purtați întotdeauna încălțăminte anti-alunecare și de protecție. Nu utilizați scula dacă sunteți desculț(ă) sau purtați sandale cu deschidere.** Acest lucru reduce riscul de rănire a picioarelor.
- **Nu purtați haine sau articole de îmbrăcăminte largi, cum ar fi eșarfe, șnururi, lanțuri, cravate etc., care ar putea fi atrase în intrările de aer.** Legați la spate sau acoperiți părul lung pentru a vă asigura că acesta nu va fi atras în orificiile de admisie a aerului. Dacă oricare dintre aceste obiecte este atras în orificiile de admisie a aerului, poate crește riscul de vătămare corporală.
- **Țineți persoanele prezente la distanță atunci când utilizați scula.** Resturile aruncate pot crește riscul de vătămare corporală.
- **Nu utilizați în modul de aspirare fără colectorul de reziduuri la locul său.** Obiectele aruncate pot crește riscul de vătămare corporală.
- **Nu îndreptați niciodată duza suflantei în direcția persoanelor sau a animalelor de companie sau în direcția ferestrelor.** Fiți foarte atenți atunci când suflați resturile în apropierea unor obiecte solide, cum ar fi copaci, automobile și pereți care pot provoca ricoșarea resturilor. Obiectele aruncate pot deteriora bunurile și pot crește riscul de vătămare corporală.
- **Nu utilizați aparatul pentru a colecta sau sufla nimic care arde sau fumează, cum ar fi țigări, chibrituri sau cenușă fierbinte.** Aceste surse de aprindere pot crește riscul de incendiu.
- **Nu aspirați apă sau alte lichide și nu scufundați nicio parte a mașinii în lichid.** Pătrunderea apei în mașină poate crește riscul de electrocutare.
- **Nu aspirați pietre, pietriș, metal sau sticlă spartă.** Roata ventilatorului se poate deteriora și poate crește riscul de vătămare corporală.
- **Nu atingeți ventilatorul în timp ce este încă în mișcare.** Oprii mașina și așteptați până când ventilatorul se oprește înainte de a îndepărta orice piesă care ar putea da acces la ventilator. Acest lucru reduce riscul de rănire din cauza pieselor mobile.
- **Atunci când curățați materialul blocat sau efectuați lucrări de întreținere a mașinii, asigurați-vă că întrerupătorul de alimentare este oprit.** Acționarea neașteptată a sculei în timp ce curățați materialul blocat sau faceți întreținerea poate duce la vătămări corporale grave.

CITIȚI TOATE INSTRUCȚIUNILE ÎNAINTE DE UTILIZAREA ACESTUI PRODUS!

INSTRUIRE

- Nu permiteți copiilor, persoanelor cu capacități fizice, senzoriale sau mentale reduse ori lipsite de experiență și cunoștințe sau persoanelor nefamiliarizate cu aceste instrucțiuni să utilizeze mașina.
- Operatorul sau utilizatorul este responsabil de accidentele sau pericolele care se întâmplă altor persoane sau bunurilor acestora.

PREGĂTIREA

- Mașina poate fi utilizată în ploaie sau în condiții de umiditate. Uscați mașina după finalizarea lucrului.
- Înaintea utilizării, verificați acumulatorii sau seturile de acumulatori pentru depistarea avariilor. Nu utilizați aparatul dacă acumulatorii sau seturile de acumulatori sunt avariate.

FUNȚIONARE

- Mașina poate fi utilizată în ploaie sau în condiții de umiditate. Uscați mașina după finalizarea lucrului.
- Deconectați acumulatorii sau seturile de acumulatori:
 1. Ori de câte ori plecați de lângă mașină;
 2. Înainte de eliminarea unui blocaj;
 3. Înainte de verificarea, curățarea sau orice intervenție adusă aparatului;
 4. Dacă aparatul începe să vibreze anormal.
- Mențineți întotdeauna o poziție stabilă pe pante.
- Mergeți, nu alergați niciodată.
- Păstrați toate prizele de răcire cu aer neobstrucționate de resturi.
- Vă recomandăm să utilizați mașina numai la ore rezonabile - nici dimineața devreme sau seara târziu când ar putea deranja persoanele.
- Vă recomandăm să umeziți ușor suprafețele în condiții de praf sau să utilizați accesoriul de pulverizare.

⚠ AVERTISMENT: Pericol, părți rotative!

- Folosiți extensia completă a duzei mașinii pentru ca jetul de aer să poată lucra aproape de sol.
- Nu utilizați mașina în apropierea ferestrelor deschise, etc.

RO

ÎNȚREȚINEREA ȘI DEPOZITAREA

- Mențineți strânse toate piulițele și șuruburile, pentru a fi siguri că aparatul este în stare bună de funcționare.
- Înlocuiți piesele uzate sau defecte.
- Utilizați numai piese de schimb și accesorii originale.
- Depozitați aparatul numai într-un loc uscat.

⚠ AVERTISMENT: Pentru a evita riscul de incendiu, șoc electric sau rănire:

IMPORTANT

CITIȚI CU ATENȚIE ÎNAINTE DE UTILIZARE.

PĂSTRAȚI PENTRU CONSULTARE ULTERIOARĂ.

- Nu permiteți ca mașina să fie folosită ca jucărie. Se recomandă atenție sporită când aparatul este utilizat de către sau în vecinătatea copiilor.
- Dacă mașina nu funcționează așa cum ar trebui, a fost scăpată, deteriorată sau a căzut în apă, returnați-o la un centru de service.
- Nu introduceți niciun obiect în fante. Nu utilizați aparatul dacă vreuna dintre fante este blocată; păstrați fantele curate, fără praf, scame, păr și orice altceva care ar putea reduce fluxul de aer.
- Fiți extrem de atent(ă) când curățați pe scări.
- Nu lăsați mașina nesupravegheată atunci când este introdusă fișa bateriei. Scoateți bateria atunci când mașina nu este utilizată și înainte de efectuarea lucrărilor de întreținere.
- Nu manevrați încărcătorul, inclusiv ștecherul acestuia sau terminalele încărcătorului dacă aveți mâinile ude.
- Nu încărcați setul de acumulatori în aer liber.

⚠ AVERTISMENT:

- Setul de acumulatori trebuie scos din aparat înainte de eliminarea acestuia.
- Acumulatorul trebuie eliminat într-un mod nepericulos.
- **NU** încercați să îndepărtați blocajele din aparat fără să detașați mai întâi acumulatorul.
- **Păstrați mașina și mânerul acesteia uscate, curate și lipsite de ulei și grăsime.** Utilizați întotdeauna o cârpă curată la curățare. Nu folosiți niciodată lichide de frână, benzină, produse pe bază de petrol sau solvenți

puternici pentru a vă curăța mașina. Respectarea acestei reguli va reduce riscul de pierdere a controlului și de deteriorare a carcasei din plastic.

- **Acumulatorii pot exploda în prezența unei surse de aprindere precum o lampă indicatoare.** Pentru a reduce riscul de accidentare personală gravă, nu utilizați niciodată un produs fără fir în prezența unei flăcări deschise. Un acumulator care explodează poate proiecta resturi și chimicale. În caz de expunere, clătiți imediat cu apă.
- **Nu puneți niciodată aparatul în funcțiune fără echipamentul corect atașat.** Asigurați-vă întotdeauna că tubul mașinii este instalat.
- **Nu utilizați niciodată suflanta în apropierea focului sau a cenușii fierbinți.** Utilizarea în apropierea focurilor sau cenușii poate propaga focurile și rezulta în vătămări grave și/sau pagube materiale.
- **Nu folosiți niciodată mașina pentru a împrăști substanțe chimice, îngrășăminte sau orice alte substanțe toxice.** Împrăștierea acestor substanțe poate cauza rănirea gravă a utilizatorului și a trecătorilor.
- **Păstrați aceste instrucțiuni.** Consultați-le frecvent și utilizați-le pentru a instrui alte persoane care ar putea utiliza această mașină. Dacă împrumutați cuiva această mașină, împrumutați-i și aceste instrucțiuni pentru a preveni utilizarea inadecvată a produsului și posibile vătămări.

PĂSTRAȚI ACESTE INSTRUCȚIUNI!

SPECIFICAȚII

Tensiune nominală		56 V ---
Suflantă	Volumul maxim de aer	850 m ³ /h
	Viteză maximă aer	64 m/s (cu doar tub de suflare)
		93 m/s (cu duza conică)
	Forța maximă de suflare	15 N
Capacitatea sacului de frunze		40 litri
Max. Rata de mărunțire		16 : 1
Greutate (fără acumulator și duză)		5.8 kg (aspirare) 4.2 kg (suflantă)

Temperatură de funcționare recomandată	-15°C-40°C
Temperatură de depozitare recomandată	-20°C-70°C
Temperatura de încărcare recomandată	5°C-40°C
Nivelul de putere acustică măsurat L_{WA}	100 dB(A) K=1.9 dB(A)
Nivelul de presiune acustică la poziția de lucru L_{PA}	88 dB(A) K=3 dB(A)
Nivel de putere sonoră garantată L_{WA} (conform directivei 2000/14/CE)	102 dB(A)
Vibrație a_n	Max. 1.80 m/s ² K=1.5 m/s ²

- Valoarea totală a vibrațiilor declarată a fost măsurată în conformitate cu o metodă de încercare standard și poate fi utilizată pentru a compara o unealtă cu alta.
- Valoarea totală declarată poate fi utilizată în evaluarea preliminară a expunerii.

OBSERVAȚIE: Vibrațiile emise în timpul utilizării efective a sculei electrice pot diferi față de valoarea celor declarate pentru scula utilizată; Pentru protejerea operatorului, utilizatorul trebuie să poarte mănuși și protecții auditive în timpul utilizării efective a produsului.

LISTA COMPONENTELOR (FIG. A1)

DESCRIEREA

CUNOAȘTE-ȚI ASPIRATORUL DE FRUNZE (Fig. A1)

1. Duză de aspirare
2. Tubul aspirare
3. Mâner de transport pentru asamblarea aspiratorului
4. Grila de admisie a aerului
5. Mâner frontal
6. Buton de eliberare a acumulatorului
7. Disc de viteză/ blocare
8. Agățătoare pentru cureaua de umăr
9. Mâner principal
10. Trăgaci viteză aer
11. Sac de frunze
12. Curea de umăr
13. Contacte electrice

14. Zăvor
15. Tub suflantă
16. Duză conică

ASAMBLARE

⚠ AVERTISMENT: Dacă unele piese sunt deteriorate sau lipsesc, nu utilizați acest produs până la înlocuirea pieselor. Utilizarea acestui produs cu piese deteriorate sau lipsă s-ar putea solda cu vătămări grave.

⚠ AVERTISMENT: Nu încercați să modificați acest produs sau să creați accesorii nerecomandate pentru acest produs. Orice astfel de modificare sau schimbare reprezintă o utilizare necorespunzătoare și se poate solda cu condiții periculoase care pot conduce la posibile vătămări grave.

⚠ AVERTISMENT: T Pentru a preveni pomirea accidentală care ar putea provoca vătămări corporale grave, scoateți întotdeauna pachetul de baterii din mașină atunci când asamblați piesele.

OBSERVAȚIE: Mașina nu poate fi pornită până când tubul suflantei sau ansamblul de aspirare și sacul de frunze nu sunt asamblate complet și corect.

ASAMBLAREA/DETAȘAREA TUBULUI SUFLANTEI

Asamblarea (Fig. B1 & B2)

Aliniați canelura și împingeți tubul pe carcasa suflantei până când maneta de blocare a tubului suflantei se fixează.

B-1	Maneta de blocare a tubului suflantei
-----	---------------------------------------

Scoaterea (Fig. B3)

Apăsăți maneta de blocare a suflantei pentru a decupla zăvorul, apoi scoateți tubul.

ASAMBLAREA/DEMONTAREA DUZEI CONICE A SUFLANTEI

Pentru asamblare (Fig. C1 și C2)

Aliniați canelura din duza evazată cu proeminența tubului și împingeți duza în tub până la anclanșarea acesteia.

Pentru a elimina (Fig. C3)

Apăsăți și mențineți apăsat butonul de detașare al duzei pentru a dezactiva înclanșarea, după care trageți duza direct de pe suflantă.

RO

MONTAREA/DEMONTAREA ANSAMBLUI DE ASPIRARE

Pentru a asambla duza de aspirare (Fig. D)

OBSERVAȚIE: Odată ce duza de aspirare și tubul de aspirare sunt conectate pentru prima dată, acestea devin un ansamblu de aspirare care nu poate fi demontat.

Aliniați canelura și împingeți duza pe tubul de aspirare până când butonul de blocare a duzei de aspirare se blochează în poziție.

Pentru a monta ansamblul de aspirare

1. Apăsăți maneta de blocare a tubului de aspirare pentru a elibera grila de admisie a aerului, apoi deschideți grila (Fig. E1 și E2).

E-1	Maneta de blocare a tubului de aspirare
-----	---

2. Aliniați cele două colțuri pătrate înălțate ale ansamblului de aspirare cu cele două caneluri pătrate încastrate de la intrarea de aer, așa cum se arată în fig. E3 pentru a cupla ansamblul.
3. Apăsăți ansamblul aspiratorului spre orificiul de admisie a aerului până când maneta de blocare a tubului de aspirare se blochează (Fig. E4).
4. Apăsăți grila de admisie a aerului împotriva ansamblului de aspirare (Fig. E5).

RO

Pentru a asambla sacul de frunze (Fig. F)

1. Aliniați canelura și împingeți conectorul sacului de frunze pe carcasa aspiratorului până când maneta de blocare a sacului de frunze se fixează.

F-1	Conector pentru sacul de frunze	F-3	Bucă pentru sacul de frunze
F-2	Maneta de blocare a sacului de frunze		

2. Agățați buca sacului de frunze pe cârligul de pe ansamblul de aspirare, așa cum se arată în fig. F.

Pentru a scoate și a goli sacul de frunze (Fig. G1)

1. Scoateți buca de agățare din cârligul sacului de frunze.
2. Apăsăți maneta de blocare a sacului pentru frunze pentru a debloca zăvorul, apoi scoateți sacul.
3. Deschideți fermoarul pentru a goli sacul de frunze.

G-1	Fermoar
-----	---------

Pentru a scoate ansamblul de aspirare (Fig. G2 & G3)

1. Apăsăți maneta de blocare a tubului de aspirare pentru a debloca tubul.
2. Scoateți ansamblul de aspirare.
3. Apăsăți grila de admisie a aerului spre orificiul de admisie a aerului până când maneta de blocare se fixează.

MONTAJUL CURELEI DE UMĂR (Fig. H)

Apăsăți carabinierele curelei pentru a le deschide și atașați-le pe agățatoarele curelei de umăr de la fiecare capăt al mașinii.

Există două moduri de a elibera cureaua. Scoateți-o direct de pe umăr sau apăsați una dintre carabiniere pentru a deconecta cureaua de umăr de agățătoarea curelei de umăr.

⚠ AVERTISMENT: Atunci când purtați cureaua, nici un alt purtabil nu ar trebui să interfereze cu eliberarea și îndepărtarea curelei.

⚠ AVERTISMENT: Dacă apare o urgență, îndepărtați imediat cureaua de pe umăr, indiferent de modul de instalare a curelei.

⚠ AVERTISMENT: Nu utilizați simultan cureaua unică de umăr și cureaua dublă de umăr cu suport de spate.

⚠ AVERTISMENT: Nu utilizați în același timp cureaua de umăr și legătura de rucsac BH1000 EGO. Acest lucru va preveni eliberarea rapidă de urgență a mașinii, ceea ce va duce la vătămări corporale.

FUNCȚIONARE

⚠ AVERTISMENT: Nu permiteți ca familiarizarea cu acest produs să vă determine să fiți neatent. Amintiți-vă că o fracțiune de secundă de neatenție este suficientă pentru a provoca vătămări grave.

⚠ AVERTISMENT: Purtați întotdeauna protecție oculară cu scuturi laterale, împreună cu protecție pentru auz. Nerespectarea acestei instrucțiuni ar putea avea ca rezultat proiectarea în ochi a obiectelor și alte posibile vătămări grave.

⚠ AVERTISMENT: Pentru a preveni pornirea accidentală care ar putea cauza vătămări personale grave, întotdeauna scoateți setul de acumulatori din sculă când asamblați componente, efectuați reglaje sau când produsul nu este utilizat.

⚠️ AVERTISMENT: Nu utilizați nicio componentă sau accesoriu care nu a fost recomandat de producătorul acestui produs. Utilizarea de accesorii nerecomandate se poate solda cu vătămări grave.

Înainte de fiecare utilizări, inspectați întregul produs pentru depistarea defectelor, componentelor lipsă sau slăbite precum șuruburi, piulițe, bolțuri, capace etc. Strângeți bine toate elementele de prindere și capacele și nu utilizați acest produs dacă piesele lipsă sau defecte nu sunt înlocuite.

APLICAȚII

Puteți utiliza acest produs în scopurile menționate mai jos:

- Colectarea frunzelor, resturilor de la tăieturile de iarbă și a altor resturi.
- Curățarea suprafețelor dure precum căi de acces și alei.
- Păstrarea teraselor și a aleilor libere de frunze.

OBSERVAȚIE: Mașina trebuie utilizată numai în scopul pentru care a fost proiectată. Orice altă utilizare este considerată a fi caz de utilizare necorespunzătoare.

ATAȘAREA/DETAȘAREA SETULUI DE ACUMULATORI

Utilizați numai seturile de acumulatori EGO și încărcătoarele prezentate în Fig. A2.

NOTĂ: Reîncărcați complet setul de acumulatori înainte primei utilizări.

Pentru atașare

Aliniați nervurile bateriei cu fantele de montare și apăsați pachetul de baterii în jos până când auziți un „clic” (Fig. I1).

Pentru detașare (Fig. I2)

Apăsați butonul de eliberare a bateriei și scoateți pachetul de baterii (Fig. I2).

⚠️ AVERTISMENT: Întotdeauna acordați atenție amplasamentului picioarelor dumneavoastră, a copiilor sau animalelor de companie când apăsați butonul de detașare al acumulatorului. În cazul căderii setului de acumulatori, pot rezulta răni grave. Nu detașați NICIODATĂ setul de acumulatori când vă aflați la înălțime.

PORNIREA/OPRIREA TRIMMERULUI DE TUNS IARBA

Numai declanșatorul vitezei aerului

1. Apăsați declanșatorul de viteză a aerului pentru a porni mașina.

2. Viteza de aer a mașinii este controlată cu ajutorul declanșatorului de viteză variabilă. Mai multă presiune asupra declanșatorului duce la viteze mai mari ale aerului; o presiune mai mică asupra declanșatorului duce la viteze mai mici ale aerului. Reglați viteza pentru a se potrivi sarcinii de îndeplinit.
3. Eliberați declanșatorul vitezei aerului pentru a opri aparatul.

Numai discul de viteză/blocare

Mașina poate fi blocată la orice turajție cu ajutorul selectorului de turajție/blocare.

1. Rotiți selectorul de viteză/blocare către agățătoarea curelei de umăr din apropiere pentru a porni mașina. Viteza aerului va crește pe măsură ce se rotește cadranul până când atinge viteza maximă (MAX).
2. Pentru a micșora viteza aerului, rotiți selectorul de viteză/blocare spre partea opusă.
3. Continuați să rotiți selectorul de viteză/blocare în poziția oprit (O) pentru a opri mașina.

OBSERVAȚIE: Dacă discul de viteză/blocare nu este readus în poziția oprit înainte de scoaterea bateriei, suflanta nu va porni atunci când este instalată o baterie complet încărcată. Aceasta este o caracteristică de protecție pentru a preveni pornirea accidentală. Apăsați declanșatorul vitezei aerului pentru a dezactiva protecția și porniți suflanta.

SUGESTII DE UTILIZARE A SUFLANTEI (Fig. K)

Pentru a utiliza mașina ca suflantă, urmați instrucțiunile din secțiunea **ASAMBLARE** pentru a instala ansamblul de aspirare.

- Pentru a preveni împrăștierea resturilor vegetale, suflați în jurul marginilor exterioare a unei grămezi de reziduuri. Nu suflați niciodată direct în centrul grămezii.
- Pentru a reduce nivelurile sonore, limitați numărul de echipamente electrice utilizate în același timp.
- Utilizați greble și mături pentru a detașa resturile înainte de a le sufla. În condiții cu praf, umeziți ușor suprafețele dacă dispuneți de apă.
- Economisiți apă utilizând suflante în loc să spălați cu furtunul pentru multe lucrări de grădină și de peluză, în zone incluzând jgheaburi, plase, terase, grătare, verande și grădini.
- Atenție la copii, animale, ferestre deschise sau mașini proaspăt spălate și suflați resturile în siguranță.
- După utilizarea suflantelor sau a altor echipamente, curățați! Eliminați resturile într-un mod corect.

RO

SFATURI PENTRU UTILIZAREA ASPIRATORULUI (Fig. L)

Pentru a utiliza mașina ca aspirator, urmați instrucțiunile din secțiunea **ASAMBLARE** pentru a instala ansamblul aspiratorului, sacul pentru frunze și cureaua de umăr.

- Verificați frecvent sacul cu frunze pentru uzură sau deteriorare.
- Pentru a evita ridicarea de praf, închideți complet fermoarul sacului cu frunze înainte de a porni mașina.
- Goliți punga cu frunze înainte de a se umple.
- Pentru a preveni intrarea apei în mașină, utilizați mașina pentru a colecta frunzele umede de pe pământ, dar nu și din piscină.
- Nu permiteți pungilor de plastic, pânzei și alte obiecte care nu sunt ușor de spart să pătrundă în mașină deoarece acestea se pot încurca cu ușurință în interiorul mașinii.
- Nu permiteți aspirarea în mașină a materialelor dure, cum ar fi așchii mari de lemn, metale, sticlă, pietricele etc.

- Depozitați produsul într-un loc inaccesibil copiilor. Țineți-l la distanță de agenți corozivi, precum substanțele chimice de grădină și sărurile de dezghețare.

Protejarea mediului înconjurător



Nu eliminați echipamentul electric, bateria epuizată și încărcătorul de baterii împreună cu deșeurile menajere!

Predați acest produs unui punct de reciclare autorizat sau puneți-l la dispoziția colectării separate. Sculele electrice trebuie returnate unui centru de reciclare ecologic.

ÎNȚREȚINEREA

⚠️ AVERTISMENT: La depanare, utilizați numai piese de schimb identice. Utilizarea oricăror altor piese poate crea un pericol sau poate produce o deteriorare. Pentru siguranța și fiabilitatea produsului, toate reparațiile trebuie efectuate de către un tehnician de service autorizat.

⚠️ AVERTISMENT: Pentru evitarea vătămărilor personale grave, îndepărtați întotdeauna setul de acumulatori din sculă când curățați sau efectuați orice operație de întreținere.

ÎNȚREȚINERE GENERALĂ

Evitați utilizarea solvenților când curățați piese din plastic. Majoritatea pieselor din plastic sunt susceptibile să se deterioreze de la diverse tipuri de solvenți comerciali și se pot defecta prin utilizarea acestora. Utilizați lavete curate pentru a îndepărta murdăria, praful, uleiul, unsoarea etc.

⚠️ AVERTISMENT: Nu permiteți niciodată lichidelor de frână, benzinei, produselor petroliere, uleiurilor penetrante etc. să intre în contact cu piese din plastic. Substanțele chimice pot deteriora, pot fragiliza sau pot distruge plasticul, ceea ce se poate solda cu vătămări grave.

DEPOZITARE

- Scoateți pachetul de baterii din mașină.
- Curățați toate materialele străine de la intrările de aer ale mașinii.

DEPANAREA

PROBLEMĂ	CAUZĂ	SOLUȚIE
Aspiratorul de frunze nu funcționează.	<ul style="list-style-type: none"> ■ Nu există contact electric între aspiratorul de frunze și pachetul de baterii. ■ Încărcarea acumulatorului este epuizată. ■ Setul de acumulatori sau suflanta sunt prea fierbinți. ■ Mașina nu este complet asamblată. 	<ul style="list-style-type: none"> ■ Îndepărtați acumulatorul, verificați contactele și reinstalați acumulatorul. ■ Încărcați setul de acumulatori. ■ Răciți pachetul de baterii și aspiratorul de frunze până când temperatura scade sub 67°C. ■ Urmați instrucțiunile din secțiunea Asamblare pentru a asambla mașina complet și corect.
Viteza aerului scade semnificativ.	<ul style="list-style-type: none"> ■ Admisia de aer este blocată cu resturi. ■ Uzare excesivă a ventilatorului motorului. ■ Prea multe resturi în interiorul sacului de frunze. 	<ul style="list-style-type: none"> ■ Scoateți bateriile, curățați resturile. ■ Contactați centrul de service EGO pentru reparații. ■ Goliți sacul de frunze urmând instrucțiunile din capitolul Pentru a îndepărta și goli sacul de frunze din secțiunea ASAMBLARE.

GARANȚIE

POLITICA PRIVIND GARANȚIA EGO

Vă rugăm să consultați site-ul egopowerplus.eu pentru termenii și condițiile complete ale politicii privind garanția EGO.

RO

PREBERITE VSA NAVODILA!



PREBERITE UPORABNIŠKI PRIROČNIK.

⚠ OPOZORILO: Za zagotovitev varnosti in zanesljivosti mora vsa popravila izvesti usposobljen servisni tehnik.

⚠ OPOZORILO: Pred uporabo tega orodja preberite in razumite vsa varnostna navodila in tem priročniku, vključno z vsemi varnostnimi opozorilnimi simboli, kot so »**NEVARNOST**«, »**OPOZORILO**« in »**POZOR**«. Zaradi neupoštevanja spodaj navedenih navodil lahko pride do električnega udara, požara in/ali resnih telesnih poškodb.

VSA OPOZORILA IN NAVODILA SHRANITE ZA KASNEJŠO UPORABO.

VARNOSTNI SIMBOLI

⚠ OPOZORILO: Delovanje katerega koli električnega orodja lahko povzroči metanje tujkov v vaše oči, kar lahko povzroči resne poškodbe očesa. Pred začetkom dela z električnim orodjem vedno nosite zaščitna očala ali varnostna očala s stranskimi zaščitami in po potrebi tudi ščit za celoten obraz. Priporočamo vam uporabo varnostne maske Wide Vision Safety Mask za uporabo preko očal ali standardnih varnostnih očal s stransko zaščito.



Varnostno opozorilo



Med uporabo tega izdelka vedno nosite zaščito za ušesa in zaščito za oči.



Zagotovljena raven zvočne moči Emisije hrupa v okolico so v skladu z direktivo Evropske skupnosti.



Odpadnih električnih izdelkov ne odlagajte med gospodinjske odpadke. Odnosite jih v pooblaščen obrat za recikliranje.



Enosmerni tok



Napetost



Milimeter



Za zmanjšanje nevarnosti telesnih poškodb je pomembno, da uporabnik pred uporabo tega izdelka prebere priročnik za uporabo in se z njim seznani.



Vsi opazovalci naj bodo oddaljeni najmanj 15 m.



Ta izdelek je skladen z veljavnimi direktivami ES.



Ta izdelek je skladen z veljavno zakonodajo VB.



Zaščita pred pljuski vode



Na minuto



Hitrost brez obremenitve

SL

SPLOŠNA VARNOSTNA NAVODILA ZA NAPRAVE

⚠ OPOZORILO: PREBERITE VSA VARNOSTNA OPOZORILA, NAVODILA, SLIKE IN TEHNIČNE PODATKE, KI SO PRILOŽENI TEJ NAPRAVI. Zaradi neupoštevanja spodaj navedenih navodil lahko pride do električnega udara, požara in/ali hudih telesnih poškodb.

VSA OPOZORILA IN NAVODILA SHRANITE ZA KASNEJŠO UPORABO.

Izraz »stroj« v opozorilih se nanaša na stroj, ki ga poganja električni tok (žični), ali na baterijski (brežžični) stroj.

VARNOST DELOVNEGA OBMOČJA

- Delovno območje naj bo čisto in dobro osvetljeno. Na neurejenih ali temnih območjih se hitro zgodijo nesreče.
- Naprav ne upravljajte v eksplozivnih atmosferah, na primer ob prisotnosti vnetljivih tekočin, plinov ali prahu. Naprave ustvarjajo iskre, ki lahko povzročijo vžig prahu ali hlapov.
- Med uporabo naprave poskrbite, da otroci in mimoidoči ne bodo v bližini. Zaradi motenj lahko izgubite nadzor.

ELEKTRIČNA VARNOST

- Vtiči naprave se morajo prilegati vtičnicam. Vtiča nikoli ne smete spreminjati na kakršen koli način. Z ozemljenimi napravami ne uporabljajte nikakršnih adapterskih vtičev. Nespremenjeni vtiči in pripadajoče vtičnice bodo zmanjšali tveganje električnega udara.
- Izogibajte se telesnemu stiku z ozemljenimi površinami, kot so cevi, radiatorji, štedilniki in hladilniki. Če je vaše telo ozemljeno, obstaja povečano tveganje električnega udara.
- Naprav ne izpostavljajte dežju ali mokrim razmeram. Voda v napravi poveča tveganje električnega udara.
- Ne poškodujte električnega kabla. Kabla ne uporabljajte za nošenje, vlečenje ali odklop naprave. Kabel hranite stran od vročine, olja, ostrih robov ali premikajočih se delov. Poškodovani ali zapleteni kabli zvišujejo tveganje električnega udara.
- Med uporabo naprave na prostem uporabite podaljšek, ki je primeren za uporabo na prostem. Uporaba kabla, primernega za zunanjo uporabo, znižuje tveganje električnega udara.
- Če je uporaba naprave na vlažnem mestu neizogibna, uporabite stikalo za prekinitve napajanja pri najmanjšem okvarnem toku. Uporaba stikala bo zmanjšala nevarnost električnega udara.

OSEBNA VARNOST

- Med uporabo naprave bodite pozorni, spremljajte potek dela in uporabljajte zdrav razum. Naprave ne uporabljajte, kadar ste utrujeni oziroma pod vplivom drog, alkohola ali zdravil. Trenutek nepazljivosti med uporabo naprave lahko povzroči hude telesne poškodbe.
- Uporabljajte osebno varovalno opremo. Vedno nosite zaščito za oči. Če v določenih okoliščinah nosite ustrezno zaščitno opremo, kot so maska proti prahu, zaščitna obutev z nedrsečim podplatom, trdno pokrivalo glave in zaščita za sluh, zmanjšate možnost telesnih poškodb.
- Preprečite neželen zagon. Pred priklopom na vir napajanja in/ali priklopom baterijskega sklopa ter pred dvigovanjem ali nošenjem naprave se prepričajte, da je stikalo v položaju za izklop. Prenašanje naprav s prstom na stikalo ali vklop naprav, pri katerih je stikalo v položaju za vklop, povzroči tveganje za nesreče.
- Pred vklopom naprave odstranite morebitne nastavitvene in viličaste ključe. Viličasti ali drug ključ, ki je pritrjen na vrtljivi del naprave, lahko povzroči telesne poškodbe.
- Ne stegujte se preveč. Pazite, da ves čas stojite stabilno in ohranjate ravnotežje. To omogoča boljši nadzor nad napravo v nepričakovanih situacijah.
- Bodite primerno oblečeni. Ne nosite ohlapnih oblačil ali nakita. Pazite, da lasje in oblačila ne pridejo v bližino gibljivih delov. Ohlapna oblačila, nakit ali dolgi lasje se lahko zapletejo v gibljive dele.
- Če imate naprave za odsesavanje in zbiranje prahu, ki jih lahko priključite, se prepričajte, da so pravilno priključene in uporabljene. Uporaba naprav za odstranjevanje prahu lahko zmanjša nevarnosti, povezane s prahom.
- Čeprav dobro poznate napravo zaradi pogoste uporabe, ne postanite brezbržni in ne prezrite varnostnih načel naprave. Nepazljivo dejanje lahko povzroči hude telesne poškodbe v delcu sekunde.

UPORABA IN NEGA NAPRAVE

- Naprave ne preobremenjujte. Uporabite napravo, ki je primerno za vaše delo. Ustrezna naprava bo nalogo opravila bolje in varneje pri zmogljivosti, za katero je bila zasnovana.
- Naprave ne uporabljajte, če je ni mogoče vklopiti in izklopiti s stikalom. Naprava, ki je ni mogoče upravljati s stikalom, je nevarna in jo je treba popraviti.

SL

- **Odklopite vtič iz vira napajanja in/ali baterijskega sklopa, preden opravite kakršne koli prilagoditve, menjate dodatke ali shranjujete naprave.** Taki preventivni varnostni ukrepi zmanjšujejo tveganje nenamernega zagona naprave.
 - **Neaktivne naprave shranjujte zunaj dosega otrok in osebam, ki niso seznanjene z napravo ali s temi navodili, preprečite upravljanje naprave.** Naprave so v rokah neusposobljenih uporabnikov nevarni.
 - **Poskrbite za vzdrževanje naprave in dodatne opreme.** Preverite, ali so gibljivi deli nepravilno poravnani ali povezani, ali so deli polomljeni oziroma obstaja kakršno koli drugo stanje, ki bi lahko vplivalo na delovanje naprave. Če je naprava poškodovana, jo pred uporabo popravite. Veliko nesreč je posledica slabo vzdrževanih naprav.
 - **Rezalne naprave naj bodo vedno nabrušene in čiste.** Pravilno vzdrževane rezalne naprave z ostrimi rezili se težje zaskočijo in jih je lažje nadzirati.
 - **Napravo, dodatno opremo, dele naprave itd. uporabljajte v skladu s temi navodili, pri tem pa upoštevajte delovne pogoje in delo, ki ga boste opravljali.** Če boste napravo uporabljali za postopke, ki niso predvideni, lahko pride do nevarnih situacij.
 - **Ročaji in prijemalne površine naj bodo suhe, čiste in brez madežev olja ali masti.** Drseči ročaji in prijemalne površine ne omogočajo varne uporabe in upravljanja naprave v nepričakovanih situacijah.
- **Ne uporabljajte poškodovanega ali spremenjenega baterijskega sklopa ali naprave.** Poškodovane ali spremenjene baterije lahko nepredvidljivo delujejo, zaradi česar lahko pride do požara, eksplozije ali nevarnosti telesnih poškodb.
 - **Baterijskega sklopa ali naprave ne izpostavljajte ognju ali previsokim temperaturam.** Izpostavljenost ognju ali temperaturam nad 130 °C lahko povzroči eksplozijo.
 - **Upoštevajte vsa navodila za polnjenje in baterijskega sklopa ali naprave ne polnite zunaj temperaturnega razpona, navedenega v navodilih.** Zaradi nepravilnega polnjenja ali temperature zunaj navedenega razpona lahko pride do poškodb baterije in povečanega tveganja za požar.

SERVIS

- **Napravo naj servisira usposobljen serviser, ki uporablja samo enake nadomestne dele.** To bo zagotovilo ohranjanje varnosti naprave.
- **Nikoli ne popravljajte poškodovanih baterijskih sklopov.** Baterijske sklope lahko popravi le proizvajalec ali pooblaščen izvajalec servisiranja.

VARNOSTNA OPOZORILA ZA PUHALNIK/SESALNIK

UPORABA IN NEGA BATERIJSKIH NAPRAV

SL

- **Baterijo polnite le s polnilnikom, ki ga določa proizvajalec.** Polnilnik, ki je primeren za eno vrsto baterijskih sklopov, morda lahko povzroči nevarnost požara, če z njim polnite drugo vrsto baterijskih sklopov.
 - **Naprave uporabljajte samo s predpisano vrsto baterijskih sklopov.** Uporaba katerih koli drugih baterijskih sklopov lahko povzroči tveganje za telesne poškodbe in požar.
 - **Ko akumulatorski sklop ni v uporabi, ga hranite ločeno od drugih kovinskih predmetov, kot so sponke za papir, kovanci, ključji, žebelji, vijaki ali drugi majhni kovinski predmeti, ki lahko povzročijo stik med enim in drugim kontaktom.** Kratek stik zaradi povezanih kontaktov baterije lahko povzroči opekline ali požar.
 - **Ob zlorabi baterije lahko iz nje brizgne tekočina, stik s katero preprečite.** Če se nehote dotaknete tekočine, mesto dotika sperite z vodo. Če pride tekočina v stik z očmi, poiščite zdravniško pomoč. Tekočina, ki brizgne iz baterije, lahko povzroči draženje ali opekline.
- **Naprave ne uporabljajte v slabih vremenskih razmerah, zlasti če obstaja nevarnost strele.** S tem boste zmanjšali možnost udara strele.
 - **Zbiralnik delcev redno preverjajte za obrabo ali razpad.** Obrabljen ali poškodovan zbiralnik lahko poveča tveganje za telesne poškodbe.
 - **Nosite zaščito za oči in zaščito za sluh.** Ustrezna zaščitna oprema bo zmanjšala tveganje za telesne poškodbe.
 - **Med uporabo naprave vedno nosite zaščitno obutev z nedrsečim podplatom. Naprave ne upravljajte bosí ali v odprtih sandalih.** To zmanjša tveganje za poškodbe stopal.
 - **Ne nosite ohlapnih oblačil ali predmetov, kot so šali, vrvice, verige, kravate itd., ki bi jih lahko povleklo v dovode zraka.** Dolge lase spnite ali pokrijte, da jih ne povleče v odprtine za dovod zraka. Če kateri koli od teh predmetov povleče v odprtine za dovod zraka, lahko poveča tveganje za telesne poškodbe.
 - **Med uporabo naprave se morajo prisotni zadrževati na varni razdalji.** Odvrženi delci lahko povečajo tveganje za telesne poškodbe.

- Ne uporabljajte v vakuumskem načinu brez nameščenega zbiralnika smeti. Vrženi predmeti lahko povečajo tveganje telesnih poškodb.
- Puhalnika nikoli ne usmerite v smeri ljudi ali hišnih ljubljencev ali v smeri oken. Bodite še posebej previdni pri pihanju delcev v bližini trdnih predmetov, kot so drevesa, avtomobili in zidovi, ki lahko povzročijo odboj delcev. Vrženi predmeti lahko poškodujejo lastnino in povečajo tveganje za telesne poškodbe.
- Stroja ne uporabljajte za pihanje predmetov, ki gorijo oddajajo dim, kot so cigarete, vžigalice ali vroč pepel. Ti viri vžiga lahko povečajo nevarnost požara.
- Ne sesajte vode ali drugih tekočin in ne potaplajte katerega koli dela naprave v tekočino. Vdor vode v napravo lahko poveča nevarnost električnega udara.
- Ne sesajte kamnov, gramoza, kovine ali razbitega stekla. Kolo ventilatorja se lahko poškoduje in lahko poveča tveganje telesnih poškodb.
- Ne dotikajte se ventilatorja, medtem ko se še premika. Izklopite stroj in počakajte, da se ventilator ustavi, preden odstranite kateri koli del, ki bi lahko omogočil dostop do ventilatorja. To zmanjšuje nevarnost poškodb zaradi premikajočih delov.
- Pri odstranjevanju zagodenega materiala ali servisiranju stroja se prepričajte, da je stikalo izklopljeno. Nepričakovan zagon stroja med odstranjevanjem zataknenega materiala ali servisiranjem lahko povzroči hude telesne poškodbe.

PRED UPORABO TEGA IZDELKA PREBERITE VSA NAVODILA!

USPOSABLJANJE

- Naprave naj nikoli ne upravljajo otroci, osebe z zmanjšanimi fizičnimi, senzornimi ali mentalnimi sposobnostmi ali osebe s premalo izkušnjami in znanja oziroma osebe, ki niso seznanjene s temi navodili.
- Upravljevec oziroma uporabnik je odgovoren za nesreče in tveganja za druge ljudi in lastnino.

PRIPRAVA

- Napravo lahko uporabljate v dežju ali mokrih razmerah. Po končanem delu napravo posušite.
- Pred uporabo preverite morebitne poškodbe baterij oz. baterijskega sklopa. Če so baterije ali baterijski sklop poškodovane, orodja ne uporabljajte.

UPRAVLJANJE

- Napravo lahko uporabljate v dežju ali mokrih razmerah. Po končanem delu napravo posušite.
- Odklopite baterije ali baterijske sklope:
 1. vsakič ko orodje odložite;
 2. pred odpravljanjem blokade;
 3. pred pregledovanjem ali čiščenjem orodja ali pred delom na orodju;
 4. če začne orodje nenormalno vibrirati.
- Pri uporabi na pobočjih vedno pazite na ravnotežje.
- Hodite, nikoli ne tecite.
- Poskrbite, da bodo odprtine za zračenje čiste.
- Priporočamo, da orodje uporabljate le v razumnih urah dneva: ne zgodaj zjutraj ali pozno ponoči, ko lahko motite ljudi.
- Priporočamo, da v sušnih razmerah površine nekoliko navlažite ali uporabite nastavek.

⚠ OPOZORILO: Nevarnost vrtečih se delov.

- Uporabite podaljšek šobe puhalnika, tako da lahko zračni curek deluje zelo blizu tlom.
- Orodja ne uporabljajte v bližini odprtih oken itd.

VZDRŽEVANJE IN SHRANJEVANJE

- Vse matice in vijaki naj bodo trdno priviti, da boste zagotovili varno delovno stanje orodja.
- Izrabljene ali poškodovane dele zamenjajte.
- Uporabljajte samo originalne dele in dodatke.
- Napravo vedno shranjujte na suhem mestu.

⚠ OPOZORILO: Za zmanjšanje tveganja požara, električnega udara ali poškodb:

POMEMBNO

PRED UPORABO NATANČNO PREBERITE.

SHRANITE ZA PRIHODNJO UPORABO.

- Naprave ni dovoljeno uporabljati kot igračo. Kadar jo uporabljajo otroci, jih je treba pozorno spremljati.
- Če naprava ne deluje, kot bi morala, če je padla, je poškodovana ali je padla v vodo, jo vrnite v servisni center.
- V odprtine ne dajajte nobenih predmetov. Ne uporabljajte z zamašenimi odprtinami. V odprtinah naj ne bo prahu, kosmov, las in česar koli, kar lahko zmanjša pretok zraka.

SL

- Pri čiščenju na stopnicah bodite posebej previdni.
- Ko je vtič baterije vstavljen, puhalnika ne puščajte brez nadzora. Kadar naprava ni v uporabi in pred servisiranjem odstranite baterijo.
- Z mokrimi rokami ne rokujte s polnilnikom, vključno z vtičem polnilnika ali sponkami polnilnika.
- Baterijskega sklopa ne polnite zunaj.

⚠ OPOZORILO:

- Preden napravo zavržete, morate iz nje odstraniti akumulatorski sklop.
- Akumulator morate varno zavreči.
- Ovir NE poskušajte odstraniti iz enote, dokler najprej ne odstranite baterije.
- Napravo in njen ročaj naj bosta suha, čista in brez madežev olja ali masti. Za čiščenje vedno uporabite čisto krpo. Za čiščenje naprave nikoli ne uporabljajte zavorne tekočine, bencina, izdelkov na osnovi naftnih derivatov ali močnejših topil. Če boste sledili temu pravilu, boste zmanjšali tveganje za izgubo nadzora in razpad plastičnega ohišja.
- Blizu vira vžiga, kot je močan reflektor, lahko baterije eksplodirajo. Za zmanjšanje nevarnosti resnih telesnih poškodb brezžičnih izdelkov nikoli ne uporabljajte blizu odprtega ognja. Če baterija eksplodira, lahko od nje odletijo delci in kemikalije. Če pridete v stik z njimi, takoj izperite z vodo.
- Naprave nikoli ne vklopite brez nameščene ustrezne opreme. Vedno se prepričajte, da je cev naprave nameščena.
- Naprave nikoli ne uporabljajte v bližini ognja ali vročega pepela. Uporaba v bližini ognja ali pepela lahko razširi požar, kar lahko vodi v resno poškodbo in/ali poškodbe lastnine.
- Naprave nikoli ne uporabljajte za razprševanje kemikalij, gnojil ali drugih strupenih snovi. Razprševanje teh snovi lahko povzroči resne telesne poškodbe upravljalca ali opazovalcev.
- Shranite ta navodila. Pogosto jih preberite in jih uporabite za poučevanje drugih, ki uporabljajo to napravo. Če to napravo komu posodite, mu posodite tudi ta navodila, da preprečite nepravilno uporabo izdelka in morebitne poškodbe.

TA NAVODILA SHRANITE.

TEHNIČNI PODATKI

Nazivna napetost		56 V
Puhalnik	Maksimalna prostornina zraka	850 m ³ /h
	Največja hitrost zraka	64 m/s (samo s puhalno cevjo) 93 m/s (s stožčasto šobo)
	Največja moč pihanja	15 N
Zmogljivost vreče za liste		40 liter
Maks. Stopnja drobljenja		16 : 1
Teža (brez baterijskega sklopa in šobe)		5.8 kg (vakuumaska cev) 4.2 kg (puhalnik)
Priporočena obratovalna temperatura		Od -15 °C do 40 °C
Priporočena temperatura za shranjevanje		Od -20 °C do 70 °C
Priporočena temperatura polnjenja		Od 5 °C do 40 °C
Izmerjena raven zvočne moči L _{WA}		100 dB(A) K=1.9 dB(A)
Raven zvočnega tlaka v delovnem položaju L _{PA}		88 dB(A) K=3 dB(A)
Zajamčena raven zvočne moči L _{WA} (v skladu z 2000/14/ES)		102 dB(A)
Treslajji a _n		Max. 1.80 m/s ² K=1.5 m/s ²

- Nazivna skupna vrednost treslajev je bila izmerjena v skladu s standardno preskusno metodo in jo je mogoče uporabiti za primerjavo enega orodja z drugim.
- Nazivno skupno vrednost treslajev je mogoče uporabiti tudi za predhodno oceno izpostavljenosti.

OPOMBA: Oddajanje tresljajev med dejansko uporabo električnega orodja se lahko razlikuje od nazivne vrednosti, v kateri se uporablja orodje. Upravljaavec se lahko zaščiti tako, da uporablja rokavice in naušnike, primere dejanskim pogojem uporabe.

VSEBINA PAKETA (SL. A1)

OPIS

SPOZNAJTE SVOJ SESALNIK ZA LISTJE (slika A1)

1. Vakuumska šoba
2. Vakuumska cev
3. Ročaj za prenašanje vakuumskega sklopa
4. Rešetka za dovod zraka
5. Sprednji ročaj
6. Gumb za sprostitve baterije
7. Številčnica za hitrost/zaklep
8. Obešalo za ramenski pas
9. Glavni ročaj
10. Sprožilec hitrosti zraka
11. Vreča za listje
12. Ramenski pas
13. Električni kontakti
14. Zapah
15. Cev puhalnika
16. Stožčasta šoba

SESTAVLJANJE

⚠ OPOZORILO: Če so deli poškodovani ali manjkajo, izdelka ne uporabljajte, dokler ne zamenjate delov. Če ta izdelek uporabljate s poškodovanimi ali manjkajočimi deli, lahko pride do hudih telesnih poškodb.

⚠ OPOZORILO: Tega izdelka ne spreminjajte in ne izdelujte dodatkov, ki niso priporočeni za uporabo s tem izdelkom. Vsako tako spreminjanje ali predelava se šteje za napačno uporabo in povzroči tveganja, ki lahko povzročijo hude telesne poškodbe.

⚠ OPOZORILO: Pri nameščanju delov vedno odstranite baterijo, da preprečite nenamerni zagon, ki bi lahko povzročil resno telesno poškodbo.

OPOMBA: Naprave ni mogoče zagnati, dokler nista puhalna cev ali vakuumski sklop in vreča za listje popolnoma in pravilno sestavljena.

NAMEŠČANJE/ODSTRANJEVANJE CEVI PUHALNIKA

Namestitev (sl. B1 in B2)

Poravnajte utor in cev potisnite na ohišje puhalnika tako, da se zaklepna ročica puhalne cevi slišno zapahne.

B-1	Zaklepna ročica puhalne cevi
-----	------------------------------

Odstranitev (sl. B3)

Potisnite zaklepno ročico puhalnika, da sprostite zapah, in nato odstranite cev.

NAMEŠČANJE/ODSTRANJEVANJE STOŽČASTE ŠOBE PUHALNIKA

Namestitev (sl. C1 in C2)

Zarezo v stožčasti šobi poravnajte z gumbom cevi in šobo potisnite na cev, da se zaskoči na mesto.

Odstranitev (sl. C3)

Pritisnite in držite gumb za sprostitve šobe, da sprostite zaklep, nato šobo povlecite naravnost s cevi puhalnika.

SESTAVLJANJE/ODSTRANITEV VAKUUMSKEGA SKLOPA

Za sestavljanje vakuumske šobe (slika D)

UPOŠTEVAJTE: Ko šobo in cev za sesanje enkrat spojite, postaneta en sklop, ki ga ni mogoče ločiti.

Poravnajte utor in potisnite šobo na vakuumsko cev, dokler se zaklepni gumb vakuumske šobe ne zaskoči.

Za sestavljanje vakuumskega sklopa

1. Potisnite zaklepno ročico vakuumske cevi, da sprostite rešetko za dovod zraka, in nato odprite rešetko (sl. E1 in E2).

E-1	Ročica za zaklepanje vakuumske cevi
-----	-------------------------------------

2. Poravnajte dva dvignjena kvadratna vogala na vakuumskem sklopu z dvema vdolbinama kvadratnih utorov na dovodu zraka, kot je prikazano na sl. E3, da vključite sklop.
3. Pritisnite vakuumski sklop proti dovodu zraka, dokler se zaklepna ročica vakuumske cevi ne zaskoči (sl. E4).
4. Pritisnite rešetko za dovod zraka ob vakuumski sklop (sl. E5).

SL

Za sestavljanje vreče za liste (sl. F)

- Poravnajte utor in potisnite priključek vreče za listje na vakuumsko ohišje, da se zaklepna ročica za vrečo za listje zapahne.

F-1	Priključek vreče za listje	F-3	Zanka vreče za listje
F-2	Zaklepna ročica vreče za listje		

- Zanko vreče za listje obesite na kavelj na vakuujskem sklopu, kot je prikazano na sliki F.

Odstranitev in izpraznitev vreče za listje (sl. G1)

- Zanko vreče za listje odstranite s kavlja na vakuujskem sklopu.
- Potisnite zaklepno ročico vreče za listje, da sprostite zapah, in nato odstranite vrečo.
- Odprite zadrgo, da izpraznite vrečo za listje.

G-1	Zadruga
-----	---------

Odstranite vakuujski sklop (sl. G2 in G3)

- Potisnite ročico za zaklepanje vakuujske cevi, da odklenete cev.
- Odstranite vakuujski sklop.
- Pritisnite rešetko za dovod zraka proti dovodu zraka, dokler se zaklepna ročica ne zaskoči.

SL NAMEŠČANJE RAMENSKEGA PASU (sl. H)

Pritisnite karabine za pasove, da jih odprete in pritrdite na obešala za ramenski pas na obeh koncih naprave.

Obstajata dva načina za sprostitev pasu. Snemite ga neposredno z rame ali pritisnite enega od karabinov, da odklopite ramenski pas z obešala za ramenski pas.

⚠ OPOZORILO: Pri nošenju pasu noben drug nosilec ne sme ovirati sproščanja in odstranjevanja pasu.

⚠ OPOZORILO: V nujnih primerih ga nemudoma snemite z rame, ne glede na to, kako je vstavljen.

⚠ OPOZORILO: Istočasno ne smete uporabljati enojnega in dvojnega ramenskega pasu.

⚠ OPOZORILO: Ne uporabljajte ramenskega pasu in nahrbtnika BH1000 EGO hkrati. To bo preprečilo hitro sprostitve naprave v sili, kar bi lahko povzročilo telesne poškodbe.

UPRAVLJANJE

⚠ OPOZORILO: Tudi če se dodobra seznanite s tem izdelkom, bodite pri ravnanju z njim pazljivi. Upoštevajte, da je samo delček sekunde nepazljivosti dovolj, da pride do hude telesne poškodbe.

⚠ OPOZORILO: Vedno nosite zaščito za oči s stranskimi ščitniki in zaščito za sluh. V nasprotnem primeru vam lahko v oči priletijo predmeti ali pride do drugih hudih telesnih poškodb.

⚠ OPOZORILO: Za preprečitev nenamernega zagona, ki bi lahko povzročil hudo telesno poškodbo, pri sestavljanju delov, prilagajanju, čiščenju in kadar orodje ni v uporabi, vedno odstranite baterijski sklop.

⚠ OPOZORILO: Ne uporabljajte priključkov ali dodatkov, ki jih proizvajalec tega izdelka ne priporoča. Uporaba priključkov ali dodatkov, ki niso priporočeni, lahko povzroči hude telesne poškodbe.

Pred vsako uporabo celoten izdelek pregledajte za poškodovane, manjkajoče ali zrahljanje dele, kot so vijaki, maticе, pokrovi itd. Vsa zapirala in pokrove trdno privijte in izdelka ne uporabljajte dokler ne zamenjate manjkajočih ali poškodovanih delov.

NAMENI UPORABE

Ta izdelek lahko uporabljate za naslednje namene:

- Zbiranje listja, pokošene trave in drugih odpadkov.
- Čiščenje trdnih površin, kot so dovozi in sprehajalne poti.
- Ohranjanje sprehajališč in poti brez listja.

OPOMBA: Stroj lahko uporabljate samo za predvideni namen. Kakršna koli druga uporaba se smatra za nepravilno uporabo.

PRIKLJUČITEV/ODKLOP BATERIJSKEGA SKLOPA

Uporabljajte samo z baterijskimi sklopi in polnilniki EGO, navedenimi na sliki A2.

OPOMBA: Pred prvo uporabo popolnoma napolnite baterijski sklop.

Napotki za priključitev

Rebra baterije poravnajte z režami za namestitvev in baterijski sklop potisnite navzdol, da zaslišite »klik« (sl. I1).

Za odstranitev (sl. I2)

Pritisnite gumb za sprostitvev baterije in izvlecite baterijski sklop (sl. I2).

⚠ OPOZORILO: Ko pritisnete gumb za sprostitev baterije, vedno bodite pozorni na noge, otroke ali hišne ljubljence. Če vam baterijski sklop pade na tla, lahko pride do hudih telesnih poškodb. Baterijskega sklopa NIKOLI ne odstranjujte na visokem mestu.

ZAGON/ZAUSTAVITEV NAPRAVE

Samo sprožilec hitrosti zraka

1. Pritisnite sprožilec hitrosti zraka, da vklopite napravo.
2. Hitrost zraka puhalnika se uravnava s sprožilcem spremenljive hitrosti. Več tlaka na sprožilcu pomeni višje hitrosti pihanja; manj tlaka na sprožilcu pomeni nižje hitrosti pihanja. Prilagodite hitrost trenutnemu opravilu.
3. Sprostite sprožilec hitrosti zraka, da izklopite napravo.

Samo gumb za hitrost/zaklep

S številčnico za zaklep hitrosti lahko zaklenete napravo na katerikoli hitrosti.

1. Obrnite gumb za hitrost/zaklepanje proti bližnjemu obešalu za ramenski pas, da zaženete napravo. Hitrost zraka se bo povečevala, ko vrтите gumb, dokler ne doseže največje hitrosti (MAX).
2. Če želite zmanjšati hitrost zraka, zavrtite številčnico za hitrost/zaklep v nasprotni smeri urinega kazalca.
3. Za zaustavitev naprave vrтите številčnico za hitrost/zaklep v nasprotni smeri urinega kazalca do položaja za izklop (O).

OPOMBA: Če številčnice za hitrost/zaklep ne zavrtite nazaj v položaj za izklop, prede odstranite baterijo, se puhalnik ne bo zagnal, ko boste vstavili popolnoma napolnjeno baterijo. Gre za zaščitno funkcijo, ki preprečuje nenameren zagon. Pritisnite sprožilec hitrosti zraka, da izklopite zaščito in zaženete puhalnik.

NASVETI ZA UPORABO PUHALNIKA (sl. K)

Za uporabo stroja kot puhalnika sledite navodilom v razdelku **SESTAVLJANJE** za namestitve vakuumskega sklopa.

- Da delci ne bi leteli naokrog, puhalnik uporabite tako, da pihate ob zunanjem robu kopic. Nikoli ne pihajte neposredno v osrednji del kopice.
- Za nižjo raven zvočnega hrupa zmanjšajte število kosov napajalne opreme, ki jo uporabljate istočasno.
- Pred uporabo puhalnika z grabljami zrahljajte sprijeti material. V prašnih pogojih površine rahlo navlažite, če je voda na voljo.
- Varčujte z vodo – pri čiščenju listja in trave uporabljajte puhalnik namesto vrtnih cevi, tudi na predelih, kot so mreže obcestnih jarkov, pločniki, tlakovci in vrtovi.

- Pazite na otroke, domače živali, odprta okna ali sveže oprana vozila in odpadke varno odpihujte stran.
- Po uporabi puhalnikov ali druge opreme počistite. Odpadke odstranjujte na ustrezen način.

NASVETI ZA UPORABO SESALNIKA (sl. L)

Za uporabo naprave kot sesalnika sledite navodilom v poglavju **SESTAVLJANJE** za namestitvev sesalnika, vrečke za listje in ramenskega pasu.

- Pogosto preverjajte, ali je vreča za listje obrabljena ali poškodovana.
- Da ne bi dvignili prahu, pred zagonom naprave popolnoma zaprite zadrgo vreče za listje.
- Izpraznite vrečo za listje, preden se napolni.
- Da preprečite vdor vode v napravo, uporabite napravo za zbiranje mokrega listja s tal, ne pa iz bazena.
- V napravo ne vnašajte plastičnih vrečk, blaga in drugih predmetov, ki jih ni lahko razbiti in se zlahka zapletejo vanjo.
- Ne dovolite, da bi naprava vsesala trde materiale, kot so veliki lesni sekanci, kovine, steklo, kamenčki itd.

VZDRŽEVANJE

⚠ OPOZORILO: Za popravila uporabljajte samo identične nadomestne dele. Uporaba drugih delov je tvegana in lahko poškoduje izdelek. Za zagotovitev varnosti in zanesljivosti mora vsa popravila izvesti usposobljen servisni tehnik.

⚠ OPOZORILO: Pri čiščenju ali vzdrževanju vedno odstranite baterijski sklop iz orodja, da preprečite hude telesne poškodbe.

SPLOŠNO VZDRŽEVANJE

Pri čiščenju plastičnih delov ne uporabljajte topil. Večina vrst plastike se lahko pri uporabi različnih komercialnih topil poškoduje. Umazanijo, prah, olje, maščobe itd. odstranite s čisto krpo.

⚠ OPOZORILO: Zavorna tekočina, gorivo, izdelki na bazi nafte, prodirajoče olje ipd. naj nikoli ne pridejo v stik s plastičnimi deli. Kemikalije lahko poškodujejo, oslabijo ali uničijo plastiko, kar lahko povzroči hude telesne poškodbe.

SKLADIŠČENJE

- odstranite akumulator iz naprave.
- Iz vseh dovodov zraka naprave očistite vse tujke.
- Napravo skladiščite v notranjem prostoru, ki je nedostopen otrokom. Ne shranjujte je v bližini korozivnih sredstev, kot so vrtno kemikalije in soli za taljenje ledu.

SL

Varovanje okolja



Električne opreme, rabljene baterije in polnilnika ne odvrzite med gospodinjske odpadke.

Izdelek odnesite na pooblaščen obrat za recikliranje in ga zavrzite ločeno.

Električna orodja je treba odnesti na obrat za recikliranje in ga reciklirati na okolju prijazen način.

SL

ODPRAVLJANJE TEŽAV

TEŽAVA	VZROK	REŠITEV
Sesalnik listja ne deluje.	<ul style="list-style-type: none"> ■ Med sesalnikom listja in baterijskim sklopom ni električnega stika. ■ Baterijski sklop je izpraznjen. ■ Baterijski sklop ali pihalnik je prevroč. ■ Naprava ni v celoti sestavljena. 	<ul style="list-style-type: none"> ■ Odstranite baterijski sklop, preverite kontakte in znova namestite baterijski sklop. ■ Napolnite baterijski sklop. ■ Baterijski sklop in sesalnik listja ohladite do temperature, ki je nižja od 67 °C. ■ Sledite navodilom v poglavju Sestavljanje, da popolnoma in pravilno sestavite napravo.
Hitrost zraka se znatno zmanjša.	<ul style="list-style-type: none"> ■ Dovod zraka je zamašen z delci. ■ Prevelika obraba ventilatorja motorja. ■ Preveč ostankov v vreči za listje. 	<ul style="list-style-type: none"> ■ Odstranite bateriji in počistite nečistoče. ■ Za popravilo stopite v stik servisnim centrom EGO. ■ Izpraznite vrečo za listje po navodilih v poglavju Odstranitev in izpraznitev vreče za listje v razdelku SESTAVLJANJE.

GARANCIJA

GARANCIJSKA POLITIKA DRUŽBE EGO

Za popolne pogoje garancijske politike družbe EGO obiščite spletno mesto egopowerplus.eu.

SL

PERSKAITYKITE VISAS INSTRUKCIJAS!



SKAITYTI NAUDOTOJO INSTRUKCIJĄ

⚠️ ĮSPĖJIMAS: Norint užtikrinti saugumą ir patikimumą, visus remonto darbus turi atlikti kvalifikuotas techninės priežiūros specialistas.

⚠️ ĮSPĖJIMAS: Prieš pradėdami naudoti šį įrenginį, perskaitykite visus šioje naudojimo instrukcijoje pateiktus saugos nurodymus, taip pat susipažinkite su visais saugos įspėjamaisiais simboliais, tokiais kaip „**PAVOJUS**“, „**ĮSPĖJIMAS**“ ir „**DĖMESIO**“, ir įsitikinkite, ar juos supratote. Nesilaikant visų toliau išdėstytų nurodymų galima patirti elektros smūgį, sukelti gaisrą ir (ar) sunkiai susižaloti.

ĮŠSAUGOKITE VISAS INSTRUKCIJAS SU ĮSPĖJIMAIS, NES JŲ GALI PRIREIKTI ATEITYJE.

SAUGOS SIMBOLIAI

⚠️ ĮSPĖJIMAS: Bet koks elektrinis įrankis naudojimo metu gali išsviesti šiukšles, kurios gali pataikyti į akis ir sunkiai jas sužaloti. Prieš pradėdami naudoti elektrinį įrankį, visada užsidėkite apsauginius akinius arba apsauginius akinius su šonine apsauga ir, jei reikia, visą veidą dengiantį skydelį. Rekomenduojame naudoti platų matymo lauką užtikrinančią apsauginę kaukę, dedamą ant akinių, arba standartinius apsauginius akinius su šonine apsauga.



Įspėjimas dėl saugos



Kad sumažintų susižalojimo pavojų, prieš naudodamas šį gaminį naudotojas turi perskaityti naudotojo vadovą ir įsitikinti, kad jį suprato



Dirbdami su šiuo gaminiu visada dėvėkite ausų ir akių apsaugos priemones.



Pašaliniai asmenys turi būti atitraukę bent 15 m atstumu.



Garantuojamas garso galios lygis. Triukšmo sklaida į aplinką atitinka Europos Bendrijos direktyvą.



Šis gaminy atitinka taikomas EB direktyvas.



Netinkamus naudoti elektros prietaisus draudžiama išmesti kartu su buitinėmis atliekomis. Pristatyti įgiagamam perdirbėjui



Šis gaminy atitinka taikomas JK direktyvas.



Nuolatinė srovė

IPX4 Apsauga nuo vandens pusrslų



Įtampa

./min Per minutę



Milimetrai

n_0 Sūčiai be apkrovos

LT

BENDRIEJI ĮRANKIO SAUGOS ĮSPĖJIMAI

⚠ ĮSPĖJIMAS: PERSKAITYKITE IR PERŽIŪRĖKITE VISUS SU ŠIUO ĮRENGINIU PATEIKTUS SAUGOS NURODYMUS, INSTRUKCIJAS, PAVEIKSLĖLIUS IR SPECIFIKACIJAS. Nesilaikant visų toliau išdėstytų nurodymų galima patirti elektros smūgį, sukelti gaisrą ir (ar) sunkiai susižaloti.

ĮŠSAUGOKITE VISAS INSTRUKCIJAS SU ĮSPĖJIMAIS, NES JŲ GALI PRIREIKTI ATEITYJE.

Įspėjimuose vartojamu terminu „įrenginys“ vadinamas iš elektros lizdo maitinamas (laidinis) arba akumulatorinis įrenginys.

SAUGA DARBO VIETOJE

- Darbo vieta turi būti švari ir gerai apšviesta. Jei darbo vieta netvarkinga ar blogai apšviesta, gali įvykti nelaimingas atsitikimas.
- Nedirbkite su įrenginiu sprogoje aplinkoje, pvz., ten, kur yra degiųjų skysčių, dujų arba dulkių. Įrenginys kibirkščiuoja, o kibirkštys gali uždegti dulkes arba garus.
- Dirbdami su elektriniu įrenginiu, neleiskite artintis vaikams ir pašaliniams asmenims. Dėl dėmesio blaškymo galite nesuvaldyti prietaiso.

ELEKTROSAUGA

- Elektrinio įrenginio kištukas turi tikti elektros lizdui. Niekada jokiais būdais kištuko neperdarykite. Su įžemintais elektriniais įrenginiais nenaudokite jokių kištuko adapterių. Originalūs kištukai, tiksliai tinkantys elektros tinklo lizdui, sumažina elektros smūgio pavojų.
- Nesiliaskite prie įžemintų paviršių, pavyzdžiui, vamzdžių, radiatorių, viryklių ir šaldytuvų. Jei jūsų kūnas bus įžemintas, padidės elektros smūgio pavojus.
- Nelaikykite įrankių lietuje ar drėgnoje aplinkoje. Vandeniui patekus į įrankį, padidėja pavojus patirti elektros smūgį.
- Atsargiai elkitės su maitinimo laidu. Niekada nenaudokite laido nešimui, traukimui arba įkroviklio atjungimui nuo maitinimo tinklo. Saugokite laidą nuo kaitros šaltinių, alyvos, aštrių briaunų ir judančių dalių. Pažeidus arba supainiojus laidus išauga pavojus patirti elektros smūgį.
- Kai su elektriniu įrenginiu dirbate lauke, naudokite laukui skirtą laidą ilgintuvą. Naudojant laukui skirtą maitinimo laidą, sumažėja pavojus patirti elektros smūgį.

- Jei nėra galimybės išvengti elektrinio įrenginio naudojimo drėgnoje vietoje, naudokite maitinimo šaltinį, apsaugotą nuotėkio rele. Nuotėkio relė sumažina pavojų patirti elektros smūgį.

ASMENINĖ SAUGA

- Naudodami įrenginį būkite budrus, stebėkite, ką darote, ir vadovaukitės sveika nuovoka. Nedirbkite su įrenginiu, jei esate pavargę arba vartojote narkotikus, alkoholį ar medikamentus. Neatidumo akimirka dirbant su įrenginiais gali lemti sunkią traumą.
- Naudokite asmeninės apsaugos priemones. Visada būkite su apsauginiais akiniais. Atitinkamomis sąlygomis naudojamos apsaugos priemonės, pvz., respiratorius, neslidūs apsauginiai batai, šalmas arba ausinės, sumažina pavojų susižaloti.
- Apsisaugokite nuo atsitiktinio įjungimo. Prieš jungdami įrenginį prie maitinimo šaltinio ir (ar) sudėtinės baterijos, prieš įrenginį keldami arba nešdami įsitikinkite, kad jungiklis yra išjungimo padėtyje. Nešant elektrinius įrenginius uždėjus pirštą ant jungiklio arba netyčia įjungiant įrenginį su įjungtu jungikliu, gali įvykti nelaimingas atsitikimas.
- Prieš įjungdami įrenginį patraukite į šalį visus reguliavimo raktus ir veržliarakčius. Įrenginio sukamojoje dalyje likus raktui ar veržliarakčiui galima susižaloti.
- Nesistenkite pasiekti pernelyg toli. Visada stovėkite tvirtai ir išlaikykite pusiausvyrą. Taip geriau suvaldysite įrenginį netikėtoje situacijoje.
- Dėvėkite tinkamus drabužius. Nedėvėkite laisvų drabužių ir nenešiokite laisvai kabančių papuošalų. Saugokite plaukus, drabužius nuo judančių dalių. Laisvus drabužius, papuošalus ar ilgus plaukus gali įtraukti judamosios dalys.
- Jei yra įtaisai, skirti dulkių išsiurbimo ir surinkimo įtaisams prijungti, tinkamai juos prijunkite ir naudokite. Naudojant dulkių filtravimo įtaisus galima sumažinti kenksmingą dulkių poveikį.
- Net ir dažnai naudodami įrenginius, pernelyg savimi nepasitikėkite ir nepraraskite budrumo, laikykitės saugaus įrenginio naudojimo taisyklių. Užtenka akimirkos, kad dėl neatsargaus veiksmo sunkiai susižalotumėte.

MAŠINOS NAUDOJIMAS IR PRIEŽIŪRA

- Įrenginio pernelyg nespauskite. Naudokite jūsų darbui tinkamą įrenginį. Veikdamas numatytuoju greičiu, tinkamas įrenginys darbą atlieka veiksmingiau ir saugiau.

LT

- Nenaudokite įrenginio, jeigu jo negalima įjungti ar išjungti jungikliu. Įrenginys, kurio jungiklis neveikia, yra pavojingas ir jį būtina sutaisyti.
- Prieš reguliuodami elektrinį įrankį, keisdami jo priedus arba padėdami jį į laikymo vietą, atjunkite kištuką nuo maitinimo šaltinio ir (ar) sudėtinę bateriją nuo įrankio. Tokia saugumo priemonė apsaugos jus nuo netyčinio įrenginio įjungimo.
- Nenaudojamą įrenginį laikykite vaikams neprieinamoje vietoje ir neleiskite įrenginio naudoti asmenims, kurie nėra susipažinę su jo naudojimu ar šiomis instrukcijomis. Neapmokytų žmonių naudojami įrenginiai kelia pavojų.
- Vykdykite įrenginio ir priedų techninę priežiūrą. Patikrinkite, ar judančios dalys suderintos ir nestringa, ar nėra lūžusių dalių, ar nėra kitų sąlygų, galinčių turėti įtakos įrenginio veikimui. Jei įrenginys pažeistas, prieš naudodami jį sutaisykite. Dauguma nelaimingų atsitikimų įvyksta dėl prastai prižiūrimų įrenginių.
- Pjovimo įrenginiai turi būti aštrūs ir švarūs. Tinkamai prižiūrimi pjovimo įrenginiai su aštriais peiliais rečiau stringa ir lengviau valdomi.
- Įrenginį, priedus, antgalius ir kitas dalis naudokite pagal šią instrukciją, atsižvelgdami į darbo sąlygas ir atliekamą darbą. Naudojant įrenginį ne pagal paskirtį gali susidaryti pavojingos aplinkybės.
- Rankenos ir sugriebimo paviršiai turi būti sausi, švarūs ir neištepti alyva ar tepalu. Dėl slidžių rankenų ir laikymo paviršių įrenginį sunku saugiai valdyti ir jis gali išsprūsti netikėtomis aplinkybėmis.

LT

AKUMULIATORIAUS NAUDOJIMAS IR PRIEŽIŪRA

- Kraukite naudodami tik gamintojo nurodytą įkroviklį. Įkroviklis, tinkamas vieno tipo sudėinei baterijai, gali kelti gaisro pavojų, jei naudojamas su kito tipo sudėtinė baterija.
- Įrenginius naudokite tik su jiems skirtomis sudėtinėmis baterijomis. Naudojant kitokias sudėtinės baterijas gali kilti sužalojimų ir gaisro pavojus.
- Nenaudojama sudėtinė baterija turi būti laikoma atokiau nuo metalinių daiktų, tokių kaip sąvaržėlės, monetos, raktai, viny, varžtai ar kiti smulkūs metaliniai daiktai, galintys sujungti abu baterijos gnybtus. Įvykus trumpajam jungimui tarp baterijos gnybtų galima nusideginti ar gali kilti gaisras.
- Dėl netinkamų sąlygų iš baterijos gali ištėkėti skystis – nelieskite jo. Skysčiui atsitiktinai patekus ant odos, nedelsiant nuplaukite vandeniu. Jeigu skysčio pateko į akis, kreipkitės ir į gydytojus. Iš baterijos ištėkęs skystis gali dirginti arba nudeginti.

- Nenaudokite pažeistos ar modifikuotos baterijos ar įrenginio. Pažeistos ar modifikuotos baterijos gali kelti gaisro, sprogdimo ar sužalojimo pavojų.
- Sudėtinės baterijos ar įrenginio negalima deginti ar kaitinti. Bateriją deginant ar įkaitinus virš 130 °C ji gali sprogti.
- Laikykitės įrankio ar sudėtinės baterijos įkrovimo instrukcijų ir įkrovimą vykdykite nurodytame temperatūrų diapazone. Priešingu atveju galite sugadinti bateriją ar net sukelti gaisrą.

TECHNINĖ PRIEŽIŪRA

- Įkroviklio techninę priežiūrą turi atlikti kvalifikuotas asmuo ir dalis keisti tik originaliomis atsarginėmis dalimis. Taip užtikrinsite savo įrenginio saugą.
- Niekada neremontuokite sugadintų sudėtinų baterijų. Baterijas remontuoti gali tik gamintojas arba įgalioto techninės priežiūros centro specialistai.

PŪSTUVO / SIURBTUVO SAUGOS ĮSPĖJIMAI

- Nenaudokite įrenginio prastu oru, ypač esant žaibo pavojui. Laikantis šios taisyklės, sumažėja žaibo smūgio pavojus.
- Dažnai patikrinkite, ar šiukšlių rinktuvas nesusidėvėjęs ir nepradėjęs irti. Susidėvėjęs arba pažeistas atliekų rinktuvas gali padidinti sužalojimo riziką.
- Dėvėkite akių ir klausos apsaugos priemones. Tinkamos apsaugos priemonės sumažins asmens sužalojimo riziką.
- Dirbdami su įrenginiu visada avėkite neslidžią apsauginę avalynę. Nedirbkite su įrenginiu basi ar avėdami atvirus sandalus. Taip sumažinsite pėdų sužalojimo pavojų.
- Nedėvėkite laisvų drabužių ar aksesuarų, tokių kaip šalikai, virvelės, grandinėlės, kaklaraiščiai ir pan., kurie gali patekti į oro įsiurbimo angas. Suriškite arba uždenkite ilgus plaukus, kad jie nepatektų į oro įsiurbimo angas. Kuriam nors iš šių daiktų patekus į oro įsiurbimo angas gali padidėti sužalojimo pavojus.
- Dirbdami su įrenginiu neleiskite artintis pašaliniam asmeniui. Išsviestos šiukšlės kelia žmonių sužalojimo pavojų.
- Nenaudokite siurbimo režimo, jei nėra atliekų rinktuvo. Išsviesti daiktai gali padidinti sužalojimų riziką.
- Niekada nenukreipkite pūtiklio antgalio žmonių, gyvūnų arba langų kryptimi. Būkite ypač atsargūs pūsdami šiukšles šalia kietų objektų, tokių

kaip medžiai, automobiliai ir sienos, nes į juos atsitrenkusios šiukšlės gali atšokti. Išsviesti daiktai gali sugadinti turtą ir dėl to didėja žmonių sužalojimo pavojus.

- Nenaudokite įrenginio degančioms ar rūkstančioms šiukšlėms, pvz., cigaretėms, degtukams ar karšties pelenams, pūsti. Dėl šių uždegimo šaltinių padidėja gaisro pavojus.
- Nesiurbkite vandens ar kitų skysčių ir nemerkite jokių įrenginio dalių į skystį. Į įrenginį patekęs vanduo gali padidinti elektros smūgio pavojų.
- Nesiurbkite akmenų, žvyro, metalo ar stiklo šukių. Ventilatoriaus ratas gali būti pažeistas ir gali padidėti pavojus susižeisti.
- Nelieskite veikiančio ventilatoriaus. Išjunkite elektrinį įrankį ir palaukite, kol ventilatorius sustos, prieš nuimdami bet kurią dalį, kad galėtumėte pasiekti ventilatorių. Taip sumažinsite pavojų susižaloti dėl judančių dalių.
- Išimdami įstrigusias šiukšles arba atlikdami elektrinio įrankio techninę priežiūrą įsitinkite, kad maitinimo jungiklis išjungtas. Jei įrenginys netikėtai išjungtų valant įstrigusias šiukšles ar vykdant techninės priežiūros procedūras, galite sunkiai susižaloti.

PRIEŠ NAUDODAMI ŠĮ GAMINĮ, PERSKAITYKITE VISĄ INSTRUKCIJĄ!

APMOKYMAS

- Įrenginio niekada neleiskite naudoti vaikams, fizinę, jutimo ar protinę negalią turintiems arba patirties ir žinių neturintiems asmenims, taip pat žmonėms, nesusipažinusiems su šia instrukcija.
- Operatorius arba naudotojas atsako už nelaimingus atsitikimus ir pavojus, keliamus kitiems žmonėms ar jų turtui.

PASIRUOŠIMAS

- Šį įrenginį galima naudoti lyjant lietuviškai ar drėgnomis sąlygomis. Baigę darbą įrenginį išdžiovinkite.
- Prieš naudodami patikrinkite, ar nepažeistos baterijos ar sudėtinės baterijos. Jei baterijos ar sudėtinės baterijos pažeistos, įrankio nenaudokite.

NAUDOJIMAS

- Šį įrenginį galima naudoti lyjant lietuviškai ar drėgnomis sąlygomis. Baigę darbą įrenginį išdžiovinkite.
- Atjunkite baterijas ar sudėtines baterijas:
 1. palikdami įrankį be priežiūros;

2. prieš patraukdami kliūtį;
3. prieš tikrindami, valydami įrankį arba dirbdami prie jo;
4. jei įrankis pradeda neįprastai vibruoti.

- Nuožulniose vietose visada atsistokite tvirtai.
- Eikite, niekada nebėkite.
- Prižiūrėkite, kad aušinimo oro angose neprisikauptų šiukšlių.
- Su įrankiu rekomenduojama dirbti deramu laiku – ne anksti ryte ir ne vėlai vakare, kai galite trikdyti aplinkinių žmonių ramybę.
- Dulkejoje aplinkoje rekomenduojama šiek tiek sudrėkinti paviršius arba naudoti dulksnos purškimo priedą.

⚠ [SPĖJIMAS: Besisukančios dalys kelia pavojų!

- Naudokite pilną įrenginio antgalio prailgintuvą, kad oro srautas būtų arti žemės.
- Nedirbkite su įrankiu arti atvirų langų ir panašių vietų.

TECHNINĖ PRIEŽIŪRA IR LAIKYMAS

- Priveržkite visas varžles, varžtus ir sraigtus, kad įrankį būtų saugu naudoti.
- Pakeiskite susidėvėjusias arba pažeistas dalis.
- Naudokite tik originalias atsargines dalis ir priedus.
- Įrankį laikykite tik sausoje vietoje.

⚠ [SPĖJIMAS: Norėdami sumažinti gaisro, elektros smūgio ir susižalojimo pavojų:

SVARBU

ATIDŽIAI PERSKAITYKITE PRIEŠ NAUDODAMI.

PASILIKITE, KAD PRIREIKUS GALĖTUMĖTE PASIŽIŪRĖTI.

- Neleiskite įrenginio naudoti kaip žaislo. Kai prietaisą naudoja vaikai arba kai jis naudojamas šalia vaikų, juos reikia atidžiai prižiūrėti.
- Jei įrenginys neveikia, kaip turėtų veikti, buvo numestas, pažeistas arba įmestas į vandenį, grąžinkite jį į techninės priežiūros centrą.
- Nekiškite jokių daiktų į jokias angas. Nenaudokite, jei kuri nors anga užsikimšusi. Saugokite, kad angų neužkimštų dulksės, pūkai, plaukai arba kiti nešvarumai, kurie apribotų oro srautą.
- Būkite itin atsargūs, kai valote stovėdami ant laiptų.

LT

- Nepalikite įrenginio be priežiūros su prijungtu baterijos kištuku. Išimkite bateriją iš nenaudojamo įrenginio ir prieš vykdydami techninės priežiūros darbus.
- Neimkite įkroviklio, įskaitant įkroviklio kištuką ir gnybtus, šlapiomis rankomis.
- Nebandykite įkrauti sudėtinės baterijos lauke.

⚠️ ĮSPĖJIMAS:

- Prieš išmesdami netinkamą naudoti įrankį išimkite iš jo sudėtinę bateriją.
- Bateriją reikia saugiai utilizuoti.

- **NEBANDYKITE** valyti užsikimšusio įrankio prieš tai neišėmę baterijos.
- Įrenginys ir jo rankena turi būti sausi, švarūs ir neištepti alyva ar tepalu. Visada valykite švaria šluoste. Įrenginio niekada nevalykite stabdžių skysčiu, benzinu, naftos produktais arba stipriais tirpikliais. Laikantis šios nurodymo sumažėja pavojus nesuvaldyti prietaiso ir pažeisti plastikinį korpusą.
- **Baterijos gali sprogti, jei netoliese yra uždegimo šaltinis, pvz., dujų degiklis.** Kad sumažintumėte pavojų sunkiai susižaloti, niekada nenaudokite jokių belaidžių elektrinių gaminių šalia atviros liepsnos. Sprogdus baterijai gali pasklisti nuolaužas ir cheminės medžiagos. Jei taip nutiktų, tas vietas nedelsdami nuplaukite vandeniu.
- **Niekada įrankio nenaudokite nepritvirtinę reikiamos įrangos.** Visada įsitikinkite, kad įrenginio vamzdis yra sumontuotas.
- **Niekada nenaudokite įrenginio arti ugnies ar įkaitusių pelenų.** Naudojant arti ugnies ar pelenų gali kilti gaisras ir galima sunkiai susižaloti ir (ar) sugadinti turta.
- Įrenginio niekada nenaudokite cheminiams preparatams, trąšoms arba kitokioms nuodingoms medžiagoms paskleisti. Paskleidus tokias medžiagas gali sunkiai apsuoduoti pats operatorius arba pašaliniai asmenys.
- **Išsaugokite šią instrukciją.** Dažnai ją paskaitykite ir panaudokite kitiems asmenims, kuriems patikėsite šį įrenginį, apmokyti. Skolindami įrenginį kitiems asmenims, paskolinkite ir šią instrukciją, kad jie tinkamai įrenginį naudotų ir nesusižalotų.

PASILIKITE ŠIĄ INSTRUKCIJĄ!

TECHNINIAI DUOMENYS

Vardinė įtampa		56 V $\overline{\text{---}}$
Pūstuvus	Didžiausias oro tūris	850 m ³ /val.
	Maksimalus oro srauto greitis	64 m/s (tik su pūstuvo vamzdžiu) 93 m/s (su smailiu antgaliu)
	Maksimali pūtimo galia	15 N
Lapų maišelio talpa		40 litrų
Maks. Smulkinimo lygis		16 : 1
Svoris (be sudėtinės baterijos ir antgalių)		5.8 kg (siurbtuvus) 4.2 kg (pūstuvus)
Rekomenduojama darbo temperatūra		Nuo -15 °C iki 40 °C
Rekomenduojama laikymo temperatūra		Nuo -20 °C iki 70 °C
Rekomenduojama įkrovimo temperatūra		Nuo 5 °C iki 40 °C
Išmatuotas garso galios lygis L _{WA}		100 dB(A) K=1,9 dB(A)
Garso slėgio lygis darbinėje padėtyje L _{TPA}		88 dB(A) K=3 dB(A)
Garantuojamas garso galios lygis L _{WA} (išmatuotas pagal 2000/14/EC)		102 dB(A)
Vibracija a _n		Maks. 1,80 m/s ² K=1,5 m/s ²

- Nurodyta bendroji vibracijos vertė išmatuota taikant standartinį bandymo metodą, todėl pagal ją galima palyginti skirtingus įrankius.
- Nurodytą bendrąją vibracijos vertę taip pat galima naudoti pirminiam poveikio vertinimui.

PASTABA: Naudojant įrankį realiomis sąlygomis, sklaidžiamos vibracijos stiprumo vertė gali skirtis nuo nurodytos. Kad apsisaugotų dirbdamas realiomis sąlygomis, naudotojas turi mūvėti pirštines ir naudoti klausos apsaugos priemones.

PAKUOTĖS TURINIO SĄRAŠAS (A1 PAV.)

APRAŠYMAS

PAŽINKITE SAVO LAPŲ SIURBTUVĄ (A1 pav.)

1. Siurbtuvo antgalis
2. Siurbtuvo vamzdis
3. Siurbtuvo bloko nešimo rankena
4. Oro įtraukimo grotelės
5. Priekinė rankena
6. Baterijos atjungimo mygtukas
7. Greičio reguliavimo ir fiksavimo diskas
8. Peties diržo pakaba
9. Pagrindinė rankena
10. Oro srauto greičio jungiklis
11. Lapų maišelis
12. Peties diržas
13. Elektros kontaktai
14. Fiksatorius
15. Pūstuvo vamzdis
16. Smailus antgalis

SURINKIMAS

⚠️ ĮSPĖJIMAS: Jei kurios nors dalys pažeistos arba jų nėra, nenaudokite šio gaminio tol, kol tos dalys nebus pakeistos. Naudojant gaminį su pažeistomis dalimis arba kai jų trūksta, galima sunkiai susižaloti.

⚠️ ĮSPĖJIMAS: Nebandykite keisti šio gaminio konstrukcijos arba naudoti priedus, kurie nėra rekomenduojami naudoti su šiuo gaminiu. Visi tokie pakeitimai laikomi netinkamu naudojimu ir gali sukelti pavojingas situacijas, kurių metu galite sunkiai susižaloti.

⚠️ ĮSPĖJIMAS: Kad išvengtumėte atsitiktinio įrenginio paleidimo ir galimo sunkaus sužalojimo, prieš surinkdami įrenginio dalis visada iš jo išimkite sudėtinę bateriją.

PASTABA. Įrenginio negalima paleisti, kol nėra visiškai ir teisingai sumontuotas pūstuvo vamzdis arba siurbtuvo blokas ir lapų maišas.

PŪSTUVO VAMZDŽIO UŽDĖJIMAS IR NUĖMIMAS

Surinkimas (B1 ir B2 pav.)

Įtaikykite griovelį ir stumkite vamzdį į pūstuvo korpusą tol, kol pūstuvo vamzdzio fiksavimo svirtis užsifiksuos.

B-1	Pūstuvo vamzdzio fiksavimo svirtis
-----	------------------------------------

Nuėmimas (B3 pav.)

Paspauskite pūstuvo fiksavimo svirtį, kad atsilaisvintų fiksatorius, tada nuimkite vamzdį.

SMAILAUS PŪSTUVO ANTGALIO UŽDĖJIMAS / NUĖMIMAS

Uždėjimas (C1 ir C2 pav.)

Įtaikykite smailaus antgalio griovelį į vamzdzio iškyšą ir stumkite antgalį ant vamzdzio, kol jis užsifiksuos savo vietoje.

Nuėmimas (C3 pav.)

Paspauskite ir laikykite nuspaudę antgalio atjungimo mygtuką ir nutraukite antgalį nuo pūstuvo vamzdzio.

SIURBTUVO BLOKO SURINKIMAS / IŠĖMIMAS

Siurbtuvo antgalio surinkimas (D pav.)

PASTABA: Pirmą kartą sujungus siurbtuvo antgalį ir siurbtuvo vamzdį, jie tampa vienu siurbtuvo bloku, kurio negalima išardyti.

Sulygiuokite griovelį ir stumkite antgalį ant siurbtuvo vamzdzio, kol siurbtuvo antgalio fiksatorius užsifiksuos.

Siurbtuvo bloko surinkimas

1. Paspauskite siurbtuvo vamzdzio fiksavimo svirtį, kad atlaisvintumėte oro įtraukimo grotelės, tada atidarykite grotelės (E1 ir E2 pav.).

E-1	Siurbtuvo vamzdzio fiksavimo svirtis
-----	--------------------------------------

2. Sulygiuokite du iškilus kvadratinis kampus ant siurbtuvo bloko su dviem kvadratiniais grioveliais oro įsiurbimo angoje, kaip parodyta pav. E3, kad blokas būtų pritvirtintas.
3. Spauskite siurbtuvo bloką link oro įsiurbimo angos, kol siurbtuvo vamzdzio fiksavimo svirtis užsifiksuos (E4 pav.).
4. Prispauskite oro įtraukimo grotelės prie siurbtuvo bloko (E5 pav.).

LT

Lapų maišelio uždėjimas (F pav.)

- Įtaikykite griovelį ir stumkite lapų maišelio jungtį ant siurbtuvo korpuso, kol lapų maišelio fiksavimo svirtis užsifiksuos.

F-1	Lapų maišelio jungtis	F-3	Lapų maišelio kilpa
F-2	Lapų maišelio fiksavimo svirtis		

- Pakabinkite lapų maišelio kilpą ant siurbtuvo bloko kabliuko, kaip parodyta F pav.

Lapų maišelio išėmimas ir ištuštinimas (G1 pav.)

- Nuimkite lapų maišelio kilpą nuo siurbtuvo bloko kabliuko.
- Paspauskite lapų maišelio fiksavimo svirtį, kad atsilaisvintų fiksatorius, tada nuimkite maišelį.
- Atsegę užtrauktuką ištuštinkite lapų maišelį.

G-1	Užtrauktukas
-----	--------------

Siurbtuvo bloko nuėmimas (G2 ir G3 pav.)

- Paspauskite siurbtuvo vamzdžio fiksavimo svirtį, kad vamzdis būtų atrakinamas.
- Nuimkite siurbtuvo bloką.
- Spauskite oro įtraukimo groteles link oro įsiurbimo angos, kol fiksavimo svirtis užsifiksuos.

PETIES DIRŽO TVIRTINIMAS (H pav.)

Paspauskite diržo karabinius, kad jie atsidarytų, ir pritvirtinkite juos prie abiejuose įrenginio galuose esančių peties diržo pakabų.

Diržą galite nusiimti dviem būdais. Nuimkite jį nuo peties tiesiogiai arba paspauskite vieną iš karabinių, kad atjungtumėte peties diržą nuo peties diržo pakabos.

⚠️ ĮSPĖJIMAS: Užsidėjus peties diržą, joks kitas nešiojamas daiktas neturėtų trukdyti diržo atkabinimui ir nuėmimui.

⚠️ ĮSPĖJIMAS: Susidarius pavojingai situacijai, nedelsdami atkabinkite įrankį nuo peties diržo, nepaisydami, kokioje padėtyje jis yra.

⚠️ ĮSPĖJIMAS: Vienu metu nenaudokite diržo ant vieno peties ir diržo ant abiejų pečių.

⚠️ ĮSPĖJIMAS: Nenaudokite peties diržo ir „BH1000 EGO“ kuprinės jungties vienu metu. Taip išvengsite greito avarinio įrenginio paleidimo, dėl kurio gali būti sužaloti žmonės.

NAUDOJIMAS

⚠️ ĮSPĖJIMAS: Mokėjimas naudotis šiuo gaminiu nesuteikia teisės dirbti nerūpestingai. Atminkite, kad net akimirksniui atitraukę dėmesį galite sunkiai susižaloti.

⚠️ ĮSPĖJIMAS: Visada dėvėkite akinius su šonine apsauga ir ausų apsaugą. Nesilaikant šio nurodymo į akis gali pataikyti išsviestos šiukšlės arba galite kitaip sunkiai susižaloti.

⚠️ ĮSPĖJIMAS: Norėdami išvengti atsitiktinio paleidimo ir galimo sunkaus sužalojimo, visada išimkite sudėtinę bateriją iš įrankio, kai montuojate dalis, reguliuojate, valote arba įrankio nenaudojate.

⚠️ ĮSPĖJIMAS: Nenaudokite jokių papildomų įtaisų ar priedų, kurių nerekomendavo šio gaminio gamintojas. Naudojant nerekomenduojamus papildomus įtaisus ar priedus galima sunkiai susižaloti.

Kaskart prieš naudodami gaminį nuodugnai jį patikrinkite, ar nesugadintas ir netrūksta ar neatsilaisvinusios dalys, pavyzdžiui, sraigčiai, veržlės, varžtai, dangteliai ir pan. Tvirtai priveržkite visas tvirtinimo detales ir dangtelius ir nenaudokite šio gaminio, kol nepakeisite visų trūkstančių ar sugadintų dalių.

PRITAIKYMAS

Galite naudoti šį gaminį toliau išvardytais tikslais:

- Lapų, nupjautos žolės ir kitų atliekų rinkimas.
- kietiems paviršiams, pvz., įvažiavimams ir takams, valyti;
- Terasų ir privažiuojamųjų kelių valymas nuo lapų.

PASTABA. Įrenginį galima naudoti tik pagal numatytąją paskirtį. Bet koks kitas naudojimas laikomas netinkamu.

SUDĖTINĖS BATERIJOS ĮSTATYMAS IR IŠĖMIMAS

Naudokite tik A2 pav. išvardintas EGO sudėtines baterijas ir įkroviklius.

PASTABA. Prieš naudodami sudėtinę bateriją pirmą kartą iki galo ją įkraukite.

Įstatymas

Įtaikykite baterijos briaunas į tvirtinimo griovelius ir spauskite bateriją žemyn, kol išgirsite spragtelėjimą (I1 pav.).

Išėmimas (I2 pav.)

Paspauskite baterijos atjungimo mygtuką ir ištraukite bateriją (I2 pav.).

⚠️ ĮSPĖJIMAS: Prieš nuspausdami baterijos atjungimo mygtuką, visada atkreipkite dėmesį savo kojas, vaikus ar naminius gyvūnus. Išskritusi sudėtinė baterija gali sunkiai sužaloti. NIEKADA nebandykite išimti sudėtinės baterijos dirbdami aukštyje.

ĮRANKIO PALEIDIMAS IR SUSTABDYMAS

Oro srauto greičio jungiklis

1. Paspauskite oro srauto greičio jungiklį ir įrenginį įjungsite.
2. Įrenginio pučiamo oro srauto greitis valdomas greičio reguliavimo jungikliu. Jungiklį stipriau spaudžiant, oro srauto greitis didėja, o silpniau spaudžiant – mažėja. Nustatykite savo užduočiai tinkamą greitį.
3. Atleiskite oro srauto greičio jungiklį ir įrenginį išjungsite.

Greičio reguliavimo ir fiksavimo diskas

Greičio reguliavimo ir fiksavimo disku galima užfiksuoti bet kokį pučiamo oro srauto greitį.

1. Pasukite greičio reguliavimo ir fiksavimo diską link šalia esančios peties diržo pakabos, kad įjungtumėte įrenginį. Sukant diską, oro judėjimo greitis didės, kol pasieks maksimalų greitį (MAX).
2. Norėdami sumažinti oro judėjimo greitį, pasukite greičio reguliavimo ir fiksavimo diską į priešingą pusę.
3. Norėdami sustabdyti įrenginį, sukite greičio reguliavimo ir fiksavimo diską į išjungimo padėtį (O).

PASTABA. Jei prieš išimdami bateriją greičio reguliavimo ir fiksavimo disko nepasuksite prieš laikrodžio rodyklę iki galo (neišjungsite pūstuvo), tai įstatę visiškai įkrautą bateriją pūstuvo nepaleisite. Tai apsauginė funkcija, apsauganti nuo atsitiktinio įrankio paleidimo. Paspauskite oro srauto greičio jungiklį, kad atjungtumėte apsaugą ir paleistumėte pūstuvą.

PATARIMAI, KAIP NAUDOTIS PŪSTUVU (K pav.)

Jei norite naudoti įrenginį kaip pūstuvą, vadovaukitės **SURINKIMO** skyriuje pateiktais nurodymais ir sumontuokite siurbtuvo bloką.

- Kad neišsklaidytumėte šiukšlių, pūskite palei šiukšlių krūvos išorinius kraštus. Niekada nepūskite tiesiai į šiukšlių krūvos vidurį.
- Norėdami sumažinti triukšmo lygį, tuo pat metu naudokite mažiau elektrinių įrenginių.
- Prieš pūsdami šiukšles, pasklaidykite jas grėbliu arba šluota. Jei įmanoma, dulkečioje aplinkoje šiek tiek sudrėkinkite paviršius vandeniui.

- Daugeliui vejos ir sodo priežiūros darbų, įskaitant nutekamųjų lataukų, tinklelių, vidinio kiemo, kepsninių, priėnglių ir sodų priežiūrą, vietoje vandens žarnos naudokite elektrinius pūstuvus, kad taupytumėte vandenį.
- Būkite atsargūs, kai netoliese yra vaikų, naminių gyvūnų, atvirų langų arba ką tik nuplautų automobilių, ir šiukšles atsargiai nupūskite į šalį.
- Panaudoję pūstuvą arba kitą įrangą, ją nuvalykite! Šiukšles tinkamai išmeskite.

PATARIMAI, KAIP NAUDOTIS SIURBTUVU (L pav.)

Jei norite naudoti įrenginį kaip siurbtuvą, vadovaukitės **SURINKIMO** skyriuje pateiktais nurodymais ir sumontuokite siurbtuvo bloką, lapų maišelį ir peties diržą.

- Dažnai tikrinkite, ar lapų maišelis nesusidėvėjęs arba nesugadintas.
- Kad nekiltų dulkių, prieš įjungdami įrenginį visiškai užtraukite lapų maišelio užtrauktuką.
- Ištuštinkite lapų maišelį, kol jis dar nėra pilnas.
- Kad į įrenginį nepatektų vandens, naudokite įrenginį drėgniems lapams nuo žemės surinkti, bet ne iš baseino.
- Venkite plastikinių maišelių, audinių ir kitų daiktų, kuriuos nesunku sulaužyti ir kurie gali lengvai įsipainioti į įrenginio vidų.
- Neleiskite į įrenginį įsibrūti kietų medžiagų, pavyzdžiui, didelių medžio drožlių, metalo, stiklo, akmenukų ir pan.

TECHNINĖ PRIEŽIŪRA

⚠️ ĮSPĖJIMAS: Vykdydami techninės priežiūros darbus, naudokite tik identiškas atsargines dalis. Naudojant bet kokias kitas dalis, gali kilti pavojus arba sugesti gaminy. Kad būtų užtikrintas saugumas ir patikimumas, visus remonto darbus turi atlikti kvalifikuotas techninės priežiūros specialistas.

⚠️ ĮSPĖJIMAS: Visada išimkite sudėtinę bateriją iš gaminio prieš jį valydami arba prieš atlikdami jo techninės priežiūros darbus, kad išvengtumėte pavojaus sunkiai susižaloti.

BENDROJI PRIEŽIŪRA

Valydami plastikinę dalis venkite naudoti tirpiklius. Įvairūs komerciniai tirpikliai gali pažeisti įvairių tipų plastiką ir jų naudoti nerekomenduojama. Purvą, dulkes, alyvą, tepalus ir t. t. valykite švaria šluoste.

LT

⚠ ĮSPĖJIMAS: Niekada neleiskite stabdžių skysčiui, benzinui, naftos produktams, skvarbiai alyvai ir panašioms medžiagoms patekti ant plastikinių dalių. Cheminės medžiagos plastiką gali sugadinti, susilpninti arba suardyti. Dėl to galite sunkiai susižaloti.

LAIKYMAS

- Išimkite iš įrenginio sudėtinę bateriją.
- Nuvalykite visas pašalines medžiagas nuo įrenginyje esančių oro įsiurbimo angų.
- Laikykite uždaroje patalpoje, vaikams nepasiekiamoje vietoje. Laikykite toliau nuo šaldančių medžiagų, pvz., sodo chemikalų ir druskų ledui tirpdyti.

Aplinkos apsauga



Neišmeskite elektros įrangos, panaudotų baterijų ir įkroviklio kartu su buitinėmis atliekomis!

Šias atliekas reikia pristatyti į jų surinkimo vietą ar įgaliotam perdirbėjui. Elektrinius įrankius reikia grąžinti į tokių atliekų perdirbimo įmonę.

TRIKČIŲ ŠALINIMAS

PROBLEMA	PRIEŽASTIS	SPRENDIMAS
Lapų pūstuvus neveikia.	<ul style="list-style-type: none"> ■ Nėra elektrinio kontakto tarp lapų pūstuvo ir sudėtinės baterijos. ■ Sudėtinė baterija visiškai išsikrovusi. ■ Sudėtinė baterija arba pūstuvus pernelyg įkaitę. ■ Įrenginys nėra pilnai surinktas. 	<ul style="list-style-type: none"> ■ Išimkite sudėtinę bateriją, patikrinkite kontaktus ir vėl ją įstatykite. ■ Įkraukite sudėtinę bateriją. ■ Atvėsinkite sudėtinę bateriją ir lapų pūstuvą, kad jų temperatūra nukristų žemiau 67 °C. ■ Vadovaukitės Surinkimo skyriuje pateiktais nurodymais, kad įrenginys būtų visiškai ir teisingai surinktas.
Oro srauto greitis labai sumažėja.	<ul style="list-style-type: none"> ■ Šiukšlės užkimšo oro įsiurbimo angą. ■ Pernelyg susidėvėjęs variklio ventiliatorius. ■ Lapų maišelyje yra per daug atliekų. 	<ul style="list-style-type: none"> ■ Išimkite baterijas, išvalykite šiukšles. ■ Kreipkitės į EGO techninės priežiūros centrą, kad suremontuotų. ■ Ištuštinkite lapų maišelį, vadovaudamiesi instrukcijomis, pateiktomis skyriuje „Lapų maišelio išėmimas ir ištuštinimas“, skyrelyje „SURINKIMAS“.

GARANTIJA

EGO GARANTIJOS TAISYKLĖS

Norėdami sužinoti visas EGO garantijos sąlygas ir nuostatas, apsilankykite interneto svetainėje adresu egopowerplus.eu.

LT

IZLASIET VISUS NORĀDĪJUMUS!



IZLASIET LIETOTĀJA ROKASGRĀMATU

⚠ BRĪDINĀJUMS! Lai garantētu drošu un uzticamu instrumenta darbību, visi remontdarbi jāveic kvalificētam servisa speciālistam.

⚠ BRĪDINĀJUMS! Pirms šī instrumenta lietošanas izlasiet un izprotiet visus šajā lietotāja rokasgrāmatā iekļautos drošības norādījumus, tostarp visus drošības brīdinājuma apzīmējumus, piemēram, „**BĪSTAMI!**”, „**BRĪDINĀJUMS!**” un „**UZMANĪBU!**”. Visu turpmāk uzskaitīto norādījumu neievērošana var izraisīt elektriskās strāvas triecienu, aizdegšanos un/ vai smagus miesas bojājumus.

SAGLABĀJIET VISUS BRĪDINĀJUMUS UN INSTRUKCIJAS TURPMĀKAI ATSAUCEI.

DROŠĪBAS SIMBOLI

⚠ BRĪDINĀJUMS! Jebkura elektroinstrumenta lietošanas laikā acīs var iekļūt svešķermeņi, kas var radīt smagu acu traumu. Pirms elektroinstrumenta ieslēgšanas vienmēr uzvelciet aizsargbrilles vai aizsargbrilles ar sānu aizsargiem un, ja nepieciešams, pilnu sejas aizsargmasku. Iesakām izmantot aizsargmasku ar plašu skata leņķi, ko uzvelk virs parastajām brillēm, vai arī standarta aizsargbrilles ar sānu aizsargiem.



Drošības brīdinājums



Lai mazinātu traumu rašanās bīstamību, pirms šī izstrādājuma lietošanas tā lietotājam jāizlasa un jāizprot lietošanas rokasgrāmata.



Strādājot ar šo instrumentu, vienmēr izmantojiet dzirdes un redzes aizsarglīdzekļus.



Raugieties, lai vismaz 15 m attālumā neviena nebūtu.



Garantētais skaņas intensitātes līmenis.
Trokšņa emisija vidē atbilstoši Eiropas Kopienas direktīvai.



Šis izstrādājums atbilst piemērojamām EK direktīvām.

LV



Elektrisko izstrādājumu atkritumus nedrīkst izmet kopā ar sadzīves atkritumiem. Nogādāt uz pilnvarotu pārstrādes punktu.



Šis izstrādājums atbilst piemērojamiem Apvienotās Karalistes tiesību aktiem.



Līdzstrāva

IPX4 Aizsardzība pret ūdens šļakatām



V Spriegums

./min Minūtē



mm Milimētrs



n_0 Apgriezienu skaits bez slodzes

VISPĀRĪGI DROŠĪBAS BRĪDINĀJUMI ATTIECĪBĀ UZ MAŠĪNĀM

▲ BRĪDINĀJUMS! IZLASIET VISUS ŠIS MAŠĪNAS DOKUMENTĀCIJĀ NORĀDĪTOS DROŠĪBAS BRĪDINĀJUMUS, NORĀDĪJUMUS, SPECIFIKĀCIJAS UN APLŪKOJIET ATTĒLUS. Visu turpmāk uzskaitīto norādījumu neievērošana var izraisīt elektriskās strāvas triecienu, aizdegšanos un/vai smagus savainojumus.

SAGLABĀJIET VISUS BRĪDINĀJUMUS UN INSTRUKCIJAS TURPMĀKAI ATSAUCEI.

Brīdinājumos lietotais termins „mašīna” attiecas uz elektriski darbināmu mašīnu, kuras barošanu nodrošina elektrotīkls (ar elektrokabeli) vai akumulators (bez elektrokabeļa).

DROŠĪBA DARBA ZONĀ

- **Uzturiet darba zonu tīru un labi apgaismotu.** Nesakārtotā un slikti apgaismotā darba zonā var notikt nelaimes gadījumi.
- **Nedarbiniet mašīnas eksplozivās vidēs, piemēram, uzliesmojošu šķidrumu, gāzu vai putekļu klātbūtnē.** Mašīnas var radīt dzirksteles, kas var aizdedzināt putekļus vai tvaikus.
- **Neļaujiet bērniem un klātesošajiem atrasties mašīnas tuvumā, kamēr tas darbojas.** Apjukuma brīdī jūs varat zaudēt vadību pār ierīci.

ELEKTRODROŠĪBA

- **Instrumenta kontaktdakšai ir jāatbilst kontaktlīdždai.** Nekad nekādā veidā nepārveidojiet kontaktdakšu. Neizmantojiet adaptera kontaktdakšas kopā ar iezemētām mašīnām. Lietojot nepārveidotas kontaktdakšas un atbilstošas kontaktlīdždas, tiek samazināts elektriskās strāvas triecienu risks.
- **Nepieskarieties saņemtajām virsmām, piemēram cauruļvadiem, radiatoriem, plītiem un ledusskapjiem.** Ķermenim saņemoties, tiek palielināts elektriskās strāvas triecienu risks.
- **Nepakļaujiet instrumentus lietus vai mitru apstākļu iedarbībai.** Instrumentā iekļuvušais ūdens palielina elektriskās strāvas triecienu risku.
- **Nebojājiet strāvas vadu.** Nekādā gadījumā nenesiet, nevelciet vai neatvienojiet mašīnu aiz strāvas vada. Sargājiet strāvas vadu no karstuma, eļļas, asām malām vai kustīgām daļām. Bojāti vai sapinušies strāvas vadi palielina elektriskās strāvas triecienu risku.
- **Strādājot ar mašīnu ārpus telpām, izmantojiet tikai tādas pagarinātājus, kas ir paredzēti lietošanai ārpus telpām.** Āra darbiem paredzēta vadu

pagarinātāja izmantošana samazina elektriskās strāvas triecienu risku.

- **Ja tomēr mašīnas darbināšana mitrā vidē ir neizbēgama, izmantojiet ar zemslēguma ķēžu pārtraucēju (GFCI) aizsargātu avotu.** Izmantojot RCD, tiek samazināts elektriskās strāvas triecienu risks.

PERSONĪGĀ DROŠĪBA

- **Izmantojot mašīnu, esiet modri, sekojiet līdzi savām darbībām un rīkojieties saprātīgi.** Nelietojiet mašīnu, ja esat noguris vai atrodaties apreibinošu vielu, alkohola vai medikamentu ietekmē. Brīdis neuzmanības, darbojoties ar mašīnām, var izraisīt smagus savainojumus.
- **Izmantojiet individuālos aizsarglīdzekļus. Vienmēr valkājiet acu aizsarglīdzekļus.** Ja tiek lietots darba specifiski atbilstošs aizsargaprīkojums, piemēram, maska ar putekļu filtru, neslidoši darba apavi, ķivere vai austiņas, samazinās traumu gūšanas risks.
- **Novērsiet nejaūšas ieslēgšanās iespējamību.** Pirms mašīnas pievienošanas strāvas avotam un/vai akumulatoram pārliecinieties, ka slēdzis atrodas izslēgšanas pozīcijā. Pārņēšot mašīnu ar pirkstu uz slēdža vai iedarbinot iekārtot, kas jau ir ieslēgtā stāvoklī, var notikt nelaimes gadījums.
- **Pirms mašīnas ieslēgšanas noņemiet visas regulēšanas vai uzgriežņu atslēgas.** Uzgriežņu vai regulēšanas atslēga, kas palikusi piestiprināta pie mašīnas rotējošās daļas, var radīt savainojumus.
- **Nepārvērtējiet savas spējas. Ieņemiet pareizu stāju un vienmēr saglabājiet līdzsvaru.** Tas ļauj labāk kontrolēt mašīnu neparedzētās situācijās.
- **Valkājiet atbilstošu apģērbu.** Nevalkājiet vaļīgu apģērbu vai rotaslietas. Sargājiet matus, apģērbu un cimdus no kustīgajām daļām. Vaļīgs apģērbs, rotaslietas vai gari mati var iekļerties instrumenta kustīgajās daļās.
- **Ja ierīces ir paredzētas savienošanai ar putekļu nosūkšanas un savākšanas iekārtām, pārliecinieties, vai tās ir pieslēgtas un tiek izmantotas pareizi.** Putekļu savākšanas iekārtu izmantošana var samazināt ar putekļiem saistītos apdraudējumus.
- **Nepieļaujiet, ka mašīnas bieža lietošana izraisa nevērīgu attieksmi darbā ar to, un neignorējiet ar mašīnas lietošanu saistītos drošības principus.** Viens mirklis neuzmanības var izraisīt nopietnas traumas.

LV

INSTRUMENTA IZMANTOŠANA UN KOPŠANA

- **Nepiespiediet mašīnu ar spēku.** Izmantojiet lietojuma nolūkam atbilstošu mašīnu. Pareizā mašīna nodrošinās labākus rezultātus un būs drošāks darba ātrumā, kuram tas ir paredzēts.
- **Nelietojiet mašīnu, ja slēdzis to neieslēdz un neizslēdz.** Mašīna, ko nevar ieslēgt un izslēgt ar slēdzi, ir bīstama un jāsalabo.
- **Pirms jebkādu pielāgojumu veikšanas, piederumu maiņas vai mašīnas novietošanas glabāšanā atvienojiet kontaktdakšu no barošanas avota un/ vai izņemiet no mašīnas akumulatoru.** Šie drošības pasākumi palīdzēs izvairīties nejaūšas mašīnas ieslēgšanas riska.
- **Ja mašīna kādu laiku netiek lietota, uzglabājiet to bērniem nepieejamā vietā un neļaujiet ar mašīnu darboties personām, kas to nepārzina vai nav izlasījušas šo instrukciju.** Mašīnas ir bīstamas, ja ar tām darbojas neapmācīti lietotāji.
- **Uzturiet mašīnas un piederumus darba kārtībā.** Pārbaudiet, vai kustīgās daļas nav zaudējušas savienojuma precizitāti, vai kāda detaļa nav salūzusi vai nav kāda cita kļūme, kas var ietekmēt mašīnas darbību. Ja ir radušies bojājumi, pirms lietošanas lieciet salabot mašīnu. Daudzus nelaimes gadījumus izraisa slikti uzturētas mašīnas.
- **Pļaujmašīnām jābūt tīrām ar asiem asmeņiem.** Rūpīgi koptas pļaujmašīnas ar asām griezējmalām retāk iestrēgst un ir vieglāk vadāmas.
- **Lietojiet mašīnu, tās piederumus un uzgaļus atbilstoši šiem norādījumiem, ņemot vērā darba apstākļus un veicamo uzdevumu.** Mašīnas lietošana neparedzētiem mērķiem var radīt bīstamu situāciju.
- **Rokturiem un satveršanas daļām jābūt sausām, tīrām un uz tām nedrīkst būt eļļa vai smērviela.** Ja rokturi un satveršanas daļas ir mitras, tās novērsīs drošu mašīnas vadāmību un kontroli neparedzētās situācijās.

LV

AKUMULATORA INSTRUMENTA LIETOŠANA UN KOPŠANA

- **Uzlādējiet instrumentu tikai ar ražotāja noteikto lādētāju.** Lādētājs, kas paredzēts lietošanai tikai ar viena veida akumulatoru bloku, var radīt aizdegšanās draudus, ja to izmanto kopā ar citu akumulatoru bloku.
- **Lietojiet mašīnas kopā tikai ar tām paredzētiem akumulatoriem.** Jebkura cita akumulatoru bloka lietošana var radīt traumu gūšanas un aizdegšanās risku.

- **Kad akumulatoru bloks netiek izmantots, neglabājiet to citu metāla priekšmetu, piemēram, papīra saspaužu, monētu, atslēgu, naglu, skrūvju vai citu sīku metāla priekšmetu, kas var veidot savienojumu starp spailēm, tuvumā.** Akumulatora spaiļu īsslēgums var izraisīt aizdegšanos vai ugunsgrēku.
- **Nepareizas rīcības gadījumā no akumulatora var iztecēt šķidrums; izvairieties no saskares ar to.** Ja tas nejaūši nokļuvis uz ādas, noskalojiet ar ūdeni. Ja šķidrums iekļuvis acīs, nekavējoties meklējiet medicīnisko palīdzību. No akumulatora izkļuvsais šķidrums var izraisīt kairinājumu vai apdegumus.
- **Nelietojiet bojātu vai pārveidotu akumulatoru vai mašīnu.** Bojātu vai pārveidotu akumulatoru izmantošana var radīt neparedzamus apstākļus, kas rada aizdegšanās, sprādziena vai traumas gūšanas draudus.
- **Nepakļaujiet akumulatoru vai mašīnu uguns liesmu vai pārmērīgas temperatūras iedarbībai.** Uguns liesmu iedarbība vai temperatūra virs 130 °C var izraisīt sprādzienu.
- **Izpildiet visas uzlādēšanas instrukcijas un neuzlādējiet akumulatoru vai instrumentu ārpus instrukcijās norādītajām temperatūras vērtībām.** Ja iekārta tiek uzlādēta nepareizi vai tiek pārsniegtas instrukcijās norādītās uzlādēšanas temperatūras vērtības, akumulators var sabojāties un palielināt aizdegšanās risku.

SERVISS

- **Jūsu mašīnai remontu drīkst veikt tikai kvalificēts speciālists, kas izmanto tikai identiskas rezerves daļas.** Tādējādi tiek saglabāta iekārtas ekspluatācijas drošība.
- **Nekad neveiciet bojātam akumulatoru blokam remontdarbus pašrocīgi.** Bojāta akumulatoru bloka remontdarbus drīkst veikt tikai ražotājs vai pilnvaroti servisa darbinieki.

BRĪDINĀJUMI PAR PŪTĒJA UN SŪCĒJA DROŠĪBU

- **Neizmantojiet mašīnu sliktos laikapstākļos, īpaši tad, ja pastāv zibens iespējamība.** Tas samazinās risku, ka ierīcei ekspluatācijas laikā var iespert zibens.
- **Bieži pārbaudiet, vai grūzu savācējam nav parādījies nodilums, vai tā stāvoklis nav pasliktinājies.** Nodilis vai bojāts grūzu savācējs var palielināt miesas bojājumu risku.

- Lietojiet acu un dzirdes aizsardzības līdzekļus. Atbilstoši aizsardzības līdzekļi samazinās miesas bojājumu gūšanas risku.
- Izmantojot mašīnu, vienmēr valkājiet neslidošus un aizsargājošus apavus. Nestrādājiet ar mašīnu basām kājām vai sandalēs. Tas samazina traumu gūšanas risku pēdām.
- Nevalkājiet vaļīgu apģērbu vai aksesuārus, piemēram, šalles, aukliņas, ķēdes, kaklasaites u. c., ko varētu ieraut gaisa ieplūdes atverēs. Saņemiet garus matus kopā vai lietojiet aizsegu, lai tie netiktu ierauti gaisa ieplūdes atverēs. Lietotājs var gūt traumas, ja mati, apģērbs vai aksesuāri iekļūst gaisa ieplūdes atverēs.
- Izmantojot mašīnu, gādājiet, lai citas personas neatrastos tuvumā. Izmestie gruži var palielināt traumu gūšanas risku.
- Nelietojiet mašīnu sūkšanas režīmā, ja nav ievietots grūžu savācējs. Izmesti priekšmeti var palielināt miesas bojājumu risku.
- Nekad nevērsiet pūtēja sprauslu cilvēku, mājdzīvnieku vai loģu virzienā. Esiet īpaši piesardzīgi, pūšot grūžus cietu objektu, piemēram, koku, automobili un sienu, tuvumā, jo gruži no tiem var atlēkt jūsu virzienā. Izmesti gruži var sabojāt īpašumu un palielināt traumu gūšanas risku.
- Neizmantojiet mašīnu, lai pūstu vai uzsūktu jebkādas degošus vai kūpošus materiālus, piemēram, cigaretes, sērkokoņus vai karstus pelnus. Šie aizdegšanās avoti var palielināt ugunsgrēka izcelšanās risku.
- Nesūciet ūdeni vai citus šķidrumus un neiegremdējiet nevienu mašīnas daļu šķidrumā. Ūdens iekļūšana mašīnā paaugstina risku saņemt elektriskās strāvas triecienu.
- Nesūciet akmeņus, granti, metāla daļas vai salūzuša stikla daļas. Tas var sabojāt ventilatora riteni un palielināt miesas bojājumu gūšanas risku.
- Nepieskarieties kustībā esošam ventilatoram. Pirms jebkuras daļas, kas var nodrošināt piekļuvi ventilatoram, noņemšanas mašīna ir jāizslēdz un jāpagaida, līdz ventilators apstājas. Tas samazina kustīgo daļu izraisītu traumu risku.
- Iesprūduša materiāla tīrīšanas vai mašīnas apkopes laikā strāvas slēdzim jābūt izslēgtam. Negaidīta mašīnas iedarbināšana iestrēgušā materiāla izņemšanas laikā vai tā apkopes veikšanas laikā var izraisīt smagas traumas.

IZLASIET VISAS INSTRUKCIJAS PIRMS ŠĪ PRODUKTA LIETOŠANAS!

INSTRUMENTA LIETOŠANAS APGŪŠANA

- Nekad neļaujiet lietot šo ierīci bērniem, personām ar ierobežotām fiziskajām, sensorajām vai garīgajām spējām vai bez pietiekamas pieredzes un zināšanām, vai cilvēkiem, kuri nav iepazinušies ar šīm instrukcijām.
- Operators vai lietotājs ir atbildīgs par nelaiemes gadījumiem vai apdraudējumiem, kas var gadīties citiem cilvēkiem vai viņu īpašumam.

SAGATAVOŠANĀS DARBAM

- Iekārtu var izmantot lietū vai mitros laikapstākļos. Pēc darba pabeigšanas ļaujiet mašīnai nožūt.
- Pirms lietošanas pārbaudiet, vai akumulatoram vai baterijām nav kāds bojājums. Nelietojiet ierīci, ja akumulators vai baterijas ir bojāts(-as).

EKSPLUATĀCIJA

- Iekārtu var izmantot lietū vai mitros laikapstākļos. Pēc darba pabeigšanas ļaujiet mašīnai nožūt.
- Atvienojiet baterijas vai akumulatorus:
 1. Ikreiz, kad atstājat ierīci;
 2. Pirms nosprostojuma tīrīšanas;
 3. Pirms ierīces pārbaudīšanas, tīrīšanas un apkopes;
 4. Ja ierīce sāk neparasti vibrēt.
- Vienmēr pārliecinieties, vai jums, atrodoties slīpumā, zem kājām ir drošs pamats.
- Ejiet, nekad neskrīniet.
- Raugieties, lai visas dzesēšanas gaisa ieplūdes būtu tīras no grūžiem.
- Ieteikums darbināt ierīci tikai pieņemamā diennakts laikā – ne agri no rīta vai vēlu vakarā, kad tas varētu traucēt cilvēkus.
- Ieteikums putekļainos apstākļos nedaudz samitrināt virsmu vai izmantot miglošanas uzliku.

⚠ BRĪDINĀJUMS! Rotējošu daļu bīstamība!

- Izmantojiet visu pūtēja sprauslas pagarinājumu, lai gaisa plūsma atrastos tuvu zemei.
- Nedarbiniet ierīci pie atvērtiem loģiem utt.

APKOPE UN UZGLABĀŠANA

- Raugieties, lai visi uzgriežņi un skrūves būtu kārtīgi pievilkti garantijai, ka ierīce ir droša un tā ir darba stāvoklī.

LV

- Nomainiet nodilušās vai bojātās daļas.
- Lietojiet tikai oriģinālās rezerves daļas un piederumus.
- Uzglabājiet ierīci tikai sausā vietā.

⚠ BRĪDINĀJUMS! Lai samazinātu ugunsgrēka, elektrošoka vai traumas risku:

SVARĪGI

RŪPĪGI IZLASIET PIRMS LIETOŠANAS.

SAGLABĀJIET TURPMĀKĀM UZZIŅĀM.

- Neļaujiet mašīnu izmantot kā rotaļlietu. Cieša vērība ir nepieciešama, ja to izmanto bērni vai to izmanto bērnu tuvumā.
- Nogādājiet mašīnu uz servisa centru, ja tā nedarbojas, kā vajadzētu, ir nokritusi zemē, jebkāda veidā ir bojāta vai ir iekritusi ūdenī.
- Nelieciet neko atverēs. Nelietojiet, ja tikusi nobloķēta kāda atvere; raugieties, lai atverēs nebūtu putekļu, pūku, matu vai kā cita, kas var samazināt gaisa plūsmu.
- Strādājiet ar īpašu vērību, tīrot kāpnes.
- Neatstājiet mašīnu bez uzraudzības, ja tajā ir iesprausta kontaktdakša. Kad mašīna netiek lietota vai pirms veicat apkopi, izņemiet no tās akumulatoru.
- Nepieskarieties lādētājam, tostarp lādētāja kontaktdakšai vai lādētāja kontaktiem ar mitrām rokām.
- Nelādējiet akumulatoru ārpus telpām.

LV

⚠ BRĪDINĀJUMS!

- Izņemiet akumulatora bloku no instrumenta pirms atbrīvojaties no tā.
- No akumulatora jāatbrīvojas drošā veidā.

- **NEMĒĢINIET** iztīrīt aizsērējumus no ierīces, vispirms neizņemot akumulatoru.
- **Uzturiet mašīnu un tās rokturi sausus, tīrus un raugiet, lai uz tiem nebūtu eļļa un smērvielas.** Tīrīšanai vienmēr izmantojiet tīru lupatiņu. Nekad mašīnas tīrīšanai neizmantojiet bremžu šķidrums, benzīnu, naftas produktus vai jebkādu citu spēcīgu šķīdinātāju. Ievērojot šo noteikumu, samazināsies risks zaudēt kontroli un norobežojošās plastmasas stāvokļa pasliktināšanās risks.

- **Akumulatori var eksplodēt aizdegšanās avotu, piemēram, signāllampīgas, klātbūtnē.** Lai samazinātu smagu miesas bojājumu risku, nekad neizmantojiet bezvadu produktu atklātas liesmas tuvumā. Eksplodējis akumulators var izsviest atlūzas un ķīmikālijas. Nonākot ar tām saskarē, tūlīt skalot ar ūdeni.
- **Nekad nedarbiniet ierīci bez pienācīga aprīkojuma uzstādīšanas.** Vienmēr pārļiecinieties, vai ir piestiprināta mašīnas caurule.
- **Nekad nelietojiet mašīnu uguns vai karstu pelnu tuvumā.** Lietošana ugunsgrēku vai pelnu tuvumā var izraisīt ugunsgrēka izplatīšanos un izraisīt nopietnas traumas un/vai īpašuma bojājumus.
- **Nekad neizmantojiet mašīnu, lai izkļiedētu ķīmiskas vielas, mēslojumu vai citas toksiskas vielas.** Šo vielu izplatīšana var izraisīt nopietnus kaitējumus operatoram vai klātesošajiem.
- **Saglabājiet šo instrukciju.** Izlasiet un izmantojiet šo instrukciju, lai sniegtu norādījumus citiem, kas izmanto šo iekārtu. Ja kādam aizdodāt šo iekārtu, pievienojiet arī šo instrukciju, lai nepieļautu nepareizu iekārtas izmantošanu un traumu rašanos.

SAGLABĀJIET ŠO INSTRUKCIJU!

SPECIFIKĀCIJAS

Nominālais spriegums		56 V $\overline{\text{---}}$
Pūtējs	Maksimālais gaisa daudzums	850 m ³ /h
	Maksimālais gaisa ātrums	64 m/s (tikai ar pūtēja cauruli) 93 m/s (ar konusveida uzgali)
	Maksimālais pūšanas spēks	15 N
Lapu savācējmaisa ietilpība		40 litri
Maks. Smalcināšanas ātrums		16 : 1
Svars (bez akumulatora un uzgāļa)		5,8 kg (sūkšana) 4,2 kg (pūtējs)
Ieteicamā darba temperatūra		-15°C-40°C
Ieteicamā uzglabāšanas temperatūra		-20°C-70°C
Ieteicamā uzlādes temperatūra		5°C-40°C

Izmērītāis skaņas jaudas līmenis L_{WA}	100 dB(A) K=1,9 dB(A)
Trokšņa spiediena līmenis operatora vietā L_{PA}	88 dB(A) K=3 dB(A)
Garantētais skaņas intensitātes līmenis L_{WA} (saskaņā ar Direktīvu Nr. 2000/14/ĒK)	102 dB(A)
Vibrācija a_n	Maks. 1,80 m/s ² K=1,5 m/s ²

- Norādītā vibrāciju kopējā vērtība ir izmērīta saskaņā ar standarta pārbaudes metodi un var tikt izmantota, lai salīdzinātu vairākus instrumentus.
- Deklarēto vibrāciju emisijas vērtību var arī lietot iepriekšējai vibrāciju iedarbības novērtēšanai.

PIEZĪME! Vibrāciju emisijas faktiskajā elektroinstrumenta darbināšanas laikā var atšķirties no norādītās vērtības. Lai pasargātu operatoru, lietotājam jāvalkā cimdi un dzirdes aizsarglīdzekļi atbilstoši faktiskajiem darba apstākļiem.

IEPAKOJUMA SATURA SARAKSTS (A1 ATT.)

APRAKSTS

LAPU SŪCĒJA SASTĀVDAĻAS (A1 att.)

1. Sūkšanas uzgalis
2. Sūkšanas caurule
3. Pārmēsāšanas rokturis sūkšanas iekārtai
4. Gaisa ieplūdes režģis
5. Priekšējais rokturis
6. Akumulatora atbrīvošanas poga
7. Ātruma regulēšanas/bloķēšanas rīpa
8. Plecu siksnas kronšteins
9. Galvenais rokturis
10. Gaisa pūšanas ātruma pārslēgs
11. Lapu savācējmaiss
12. Plecu sikсна
13. Elektriskie kontakti
14. Slēgmehānisms
15. Pūtēja caurule
16. Konusveida uzgalis

MONTĀŽA

⚠ BRĪDINĀJUMS! Ja kāda daļa ir bojāta vai trūkst, nedarbiniet šo izstrādājumu, kamēr nav nomainīta bojātā daļa. Darbinot šo izstrādājumu ar bojātām vai trūkstošām daļām, varat gūt smagus miesas bojājumus.

⚠ BRĪDINĀJUMS! Nemēģiniet pārveidot šo instrumentu vai izveidot piederumus, kas nav ieteicami lietošanai kopā ar šo instrumentu. Jebkādi šādi uzlabojumi vai pārveidojumi ir uzskatāmi par neatbilstoši lietošanai un var radīt bīstamus apstākļus, kas var izraisīt nopietnus ievainojumus.

⚠ BRĪDINĀJUMS! Lai nepieļautu nejašu mašīnas ieslēgšanos, kas var radīt smagas traumas, to saliekot, vienmēr izņemiet no tās akumulatoru bloku.

PIEZĪME! Mašīnu nevar iedarbināt, kamēr nav pilnībā un pareizi uzlikta pūtēja caurule vai sūcējs un lapu savācējmaiss.

PŪTĒJA CAURULES UZLIKŠANA/NOŅEMŠANA

Uzlikšana (B1 un B2 att.)

Novietojiet cauruli vienā līmenī ar rievu un iebīdīet to pūtēja korpusā, līdz nofiksējas pūtēja caurules bloķēšanas svira.

B-1	Pūtēja caurules bloķēšanas svira
-----	----------------------------------

Izņemšana (B3 att.)

Nospiediet pūtēja bloķēšanas sviru, lai atbloķētu aizbīdņi, un pēc tam noņemiet cauruli.

PŪTĒJA KONUSVEIDA UZGAĻA UZLIKŠANA/NOŅEMŠANA

Uzlikšana (C1 un C2 att.)

Uzlieciet konusveida uzgali caurules galā tā, lai uzgaļa grope sakristu ar caurules pogu, un lēnām spiediet uzgali uz caurules gala, līdz tas nofiksējas.

Noņemšana (C3 att.)

Lai atlaistu fiksatoru, nospiediet un pieturiet uzgaļa atlaišanas pogu, pēc tam izvelciet uzgali no pūtēja caurules.

SŪCĒJA UZSTĀDĪŠANA/NOŅEMŠANA

Sūkšanas uzgaļa uzstādīšana (D attēls)

PIEZĪME! Tiklīdz sūkšanas uzgalis un sūkšanas caurule ir savienotas, tās kļūst par vienu sūkšanas bloku, ko nevar izjaukt. Novietojiet uzgali vienā līmenī ar rievu un uzspiediet to uz sūkšanas caurules, līdz nofiksējas uzgaļa bloķēšanas svira.

Sūcēja uzstādīšana

1. Nospiediet sūkšanas caurules bloķēšanas sviru, lai atbrīvotu gaisa ieplūdes režģi, un pēc tam atveriet režģi (E1 un E2 attēls).

E-1	Sūkšanas caurules bloķēšanas svira
-----	------------------------------------

2. Novietojiet abus sūkšanas iekārtas izvīzītos kvadrātveida stūrus vienā līmenī ar abām kvadrātveida rievām pie gaisa ieplūdes, kā tas parādīts E3 attēlā, lai savienotu iekārtu.
3. Nospiediet sūcēju gaisa ieplūdes virzienā, līdz nofiksējas sūkšanas caurules bloķēšanas svira (E4 att.).
4. Piespiediet gaisa ieplūdes režģi pret sūcēju bloku (E5 attēls).

Lapu savācējmaisa uzstādīšana (F attēls)

1. Izlīdziniet ar rievu un iespiediet lapu savācējmaisa savienotāju sūcēja korpusā, līdz nofiksējas lapu savācējmaisa bloķēšanas svira.

F-1	Lapu savācējmaisa savienotājs	F-3	Lapu savācējmaisa cilpa
F-2	Lapu savācējmaisa bloķēšanas svira		

2. Aizāķējiet lapu savācējmaisa cilpu aiz sūcēja bloka āķa, kā tas parādīts F attēlā.

Lapu savācējmaisa noņemšana un iztukšošana (G1 attēls)

1. Noņemiet no sūcēja bloka āķa lapu savācējmaisa cilpu.
2. Nospiediet lapu savācējmaisa bloķēšanas sviru, lai atbrīvotu aizbīdni, un pēc tam noņemiet savācējmaisu.
3. Atveriet rāvējslēdzēju, lai iztukšotu lapu savācējmaisu

G-1	Rāvējslēdzējs
-----	---------------

Sūcēja noņemšana (G2 un G3 att.)

1. Nospiediet sūkšanas caurules bloķēšanas sviru, lai atbloķētu cauruli.
2. Noņemiet sūcēju.
3. Nospiediet gaisa ieplūdes režģi gaisa ieplūdes virzienā, līdz nofiksējas bloķēšanas svira.

PLECU SIKSNAS PIESTIPRINĀŠANA (H attēls)

Nospiediet siksnas karabīnes, lai tās atvērtu, un piestipriniet tās pie plecu siksnas sprādzēm katrā mašīnas galā.

Siksnu var noņemt divos veidos. Noņemiet to tieši no pleca vai piespiediet karabīni un atvienojiet plecu siksnu no plecu siksnas cilpas.

⚠ BRĪDINĀJUMS! Siksnas valkāšanas laikā neviena cita valkājama ierīce nedrīkst traucēt siksnas atbrīvošanu un noņemšanu.

⚠ BRĪDINĀJUMS! Avārijas situācijas gadījumā nekavējoties noņemiet siksnu no pleca neatkarīgi no tā, kādā pozīcijā tā atrodas.

⚠ BRĪDINĀJUMS! Neizmantojiet vienu plecu siksnu kopā ar dubulto plecu siksnu.

⚠ BRĪDINĀJUMS! Nelietojiet plecu siksnu vienlaikus ar BH1000 EGO mugursomas saiti. Pretējā gadījumā ārkārtas gadījumā nebūs iespējams ātri noņemt mašīnu, kā rezultātā lietotājs gūs traumas.

EKSPLUATĀCIJA

⚠ BRĪDINĀJUMS! Saglabāiet modrību visu griezējinstrumenta lietošanas laiku. Neaizmirstiet, ka pat mirklis neuzmanības var izraisīt nopietnu traumu.

⚠ BRĪDINĀJUMS! Vienmēr valkājiet aizsargbrilles ar sānu aizsargiem, kā arī dzirdes aizsarglīdzekļus. Šo noteikumu neievērošanas rezultātā acis var nonākt svešķermeņi vai arī jūs varat gūt citas smagas traumas.

⚠ BRĪDINĀJUMS! Lai novērstu nejaušu ieslēgšanos, kas var radīt smagas traumas, saliekot instrumentu, kā arī veicot regulēšanas, tīrīšanas darbus vai, kad to nelietojat, vienmēr izņemiet no tā akumulatoru bloku.

⚠ BRĪDINĀJUMS! Nelietojiet pierīces vai piederumus, ko nav ieteicis šī izstrādājuma ražotājs. Šādu neapstiprinātu palīgierīču vai piederumu lietošana var radīt nopietnus ievainojumus.

Pirms katras lietošanas pārbaudiet visu ierīci, vai tā nav bojāta, vai tai nav trūkstošu vai atskrūvējušos daļu, piemēram, skrūves, uzgriežņi, bultskrūves, vāciņi utt. Stingri pievelciet visus stiprinājumus un vāciņus un nedarbiniet šo ierīci, līdz visas trūkstošās vai bojātās daļas nav nomainītas.

PIELIETOJUMS

Šo izstrādājumu var lietot tālāk norādītajiem mērķiem:

- lapu, zāles atgriezumam un citu gružu savākšanai;
- cietu virsmu attīrīšanai, piemēram, piebraucamajiem ceļiem un gājēju celiņiem;
- celiņu un piebraucamo ceļu attīrīšanai no lapām.

PIEZĪME! Iekārtu drīkst izmantot tikai aprakstītajam mērķim. Izmantošana jebkādā citā veidā ir uzskatāma par neatbilstošu.

AKUMULATORU BLOKA IEVIETOŠANA/ IZŅĒMŠANA

Izmantojiet kopā tikai ar A2 attēlā norādītajiem EGO akumulatoru blokiem un lādētājiem.

PIEZĪME! Pirms pirmās lietošanas reizes uzlādējiet akumulatoru bloku pilnībā.

Ievietošana

Izlīdziniet akumulatora izciļņus ar stiprinājuma rievām un iespiediet akumulatoru bloku, līdz ir dzirdama „klikšķa” skaņa (I1 att.).

Izņemšana (I2 att.)

Nospiediet akumulatora atbrīvošanas pogu un izņemiet akumulatoru bloku (I2 att.).

⚠ BRĪDINĀJUMS! Pirms akumulatora atbrīvošanas pogas nospiešanas vienmēr pārliecinieties, kur atrodas jūsu kājas, bērni vai mājdzīvnieki. Zemē nokritis akumulatoru bloks var izraisīt smagas traumas. **NEKĀDĀ GADĪJUMĀ** neizņemiet akumulatoru bloku, ja atrodaties augstumā.

MAŠĪNAS IEDARBINĀŠANA/APTURĒŠANA

Tikai gaisa pūšanas ātruma pārslēgs

1. Lai ieslēgtu mašīnu, nospiediet gaisa pūšanas ātruma pārslēgu.
2. Mašīnas gaisa pūšanas ātrumu regulē ar gaisa pūšanas ātruma pārslēgu. Piespiežot pārslēgu stingrāk, rodas lielāks gaisa pūšanas ātrums; piespiežot mazāk — lēnāks pūšanas ātrums. Pielāgojiet veicamajiem darbiem nepieciešamo ātrumu.
3. Lai izslēgtu mašīnu, atlaidiet gaisa pūšanas ātruma pārslēgu.

Tikai ātruma regulēšanas/blokēšanas ripa

Ar ātruma regulēšanas/blokēšanas ripu mašīnu var nobloķēt pie jebkura ātruma.

1. Pagrieziet ātruma regulēšanas/blokēšanas ripu virzienā uz plecu siksnas sprādzi, lai iedarbinātu mašīnu. Turpinot griezt ripu, gaisa ātrums palielināsies, līdz tas sasniegs maksimālo ātrumu (atzīme MAX).
2. Lai samazinātu gaisa pūšanas ātrumu, pagrieziet ātruma regulēšanas/blokēšanas ripu pretējā virzienā.
3. Lai apturētu mašīnu, pagrieziet ātruma regulēšanas/blokēšanas ripu izslēgtā pozīcijā (O).

PIEZĪME! Ja pirms akumulatora izņemšanas ātruma regulēšanas/blokēšanas ripa netika pagriezta iepretim apturēšanas pozīcijai, tad pūtēju pēc ievietota uzlādēta akumulatora nevarēs ieslēgt. Šī ir aizsardzības funkcija, kas palīdz novērst nejaušu ieslēgšanos. Lai deaktivizētu aizsardzības funkciju un ieslēgtu pūtēju, vispirms nospiediet gaisa pūšanas ātruma pārslēgu.

PŪTĒJA LIETOŠANAS IETEIKUMI (K att.)

Lai mašīnu izmantotu kā pūtēju, izpildiet sadaļā **UZSTĀDĪŠANA** sniegtos norādījumus par sūcēja uzstādīšanu.

Lai izvairītos no grūžu izmētāšanas, pūtiet apkārt grūžu kaudzes ārējām malām. Nekad nepūtiet tieši kaudzei pa vidu.

- Lai samazinātu trokšņu līmeni, ierobežojiet vienlaicīgi izmantoto barošanas iekārtu skaitu.
- Izmantojiet grābekļus un slotas grūžu notīrīšanai pirms pūšanas. Puteklainos apstākļos nedaudz samitriniet virsmu, ja ir pieejams ūdens.
- Ietaupiet ūdeni, šūtenes vietā izmantojot jaudas pūtējus, veicot vairākus zālienu un dārza kopšanas darbus, tostarp notekcaurulēs, sietos, bruģotos iekšējos pagalmos, grilos, lieveņos un dārzos.
- Raugieties, lai tuvumā nebūtu bērni, dzīvnieki, atvērti logi vai tikko mazgātas automašīnas, lai droši varētu izpūst grūžus.
- Pēc pūtēja vai cita aprīkojuma lietošanas sakopiet teritoriju! Atbrīvojieties no grūžiem pareizā veidā.

SŪCĒJA LIETOŠANAS IETEIKUMI (L att.)

Lai izmantotu mašīnu kā sūcēju, izpildiet sadaļā **UZSTĀDĪŠANA** sniegtos norādījumus par sūkšanas iekārtas, lapu savācējmaisa un plecu siksnas uzstādīšanu.

- Regulāri pārbaudiet, vai lapu savācējmaiss nav nodilis un vai tam nav radušies bojājumi.
- Lai izvairītos no putekļu uzkrāšanās, pirms mašīnas iedarbināšanas pilnībā aizveriet lapu savācējmaisa rāvējslēdzēju.
- Iztukšojiet lapu savācējmaisu, pirms tas kļūst pilns.
- Lai novērstu ūdens iekļūšanu mašīnā, izmantojiet mašīnu mitru lapu savākšanai no zemes, neuzsūciet lapas no baseina.
- Uzmanieties, lai mašīnā netiktu iesūkta plastmasas maisiņi, apģērbs un citi priekšmeti, kurus nav viegli salauzt un kuri var viegli sapīties.
- Uzmanieties, lai mašīnā netiktu iesūkta cieti materiāli, piemēram, lielas šķeldas, metāla gabali, stikls, oļi utt.

LV

APKOPE

⚠ BRĪDINĀJUMS! Veicot instrumenta apkopi, izmantojiet tikai identiskas rezerves daļas. Jebkuru citu daļu izmantošana var radīt apdraudējumu vai instrumenta bojājumus. Lai garantētu drošu un uzticamu instrumenta darbību, visi remontdarbi jāveic kvalificētam servisa speciālistam.

⚠ BRĪDINĀJUMS! Lai izvairītos no nopietnu traumu gūšanas, vienmēr pirms tīrīšanas vai apkopes darbu veikšanas izņemiet no produkta akumulatoru bloku.

VISPĀRĒJĀ APKOPE

Plastmasas detaļu tīrīšanai neizmantojiet šķīdinātājus. Vairums plastmasu ir uzņēmīgas pret dažāda veida komerciālu šķīdinātāju radītiem bojājumiem un, tos izmantojot, var tikt sabojātas. Lai notīrītu netīrumus, putekļus, eļļu, smērvielas u.c., izmantojiet tīras lupatiņas.

⚠ BRĪDINĀJUMS! Nekad neļaujiet bremžu šķidrumiem, degvielai, uz naftu bāzētiem izstrādājumiem, iestrādes eļļām u.tml. nonākt saskarē ar plastmasa daļām. Ķīmiskās vielas var radīt bojājumus, kā arī mazināt plastmasas daļas izturību vai iznīcināt tās, radot smagus miesas bojājumus.

UZGLABĀŠANA

- Izņemiet no mašīnas akumulatoru bloku.
- Notīriet visus svešķermeņus no mašīnas gaisa ieplūdes atverēm.
- Glabājiet slēgtā, bērniem nepieejamā telpā. Sargājiet no kodīgiem līdzekļiem, piemēram, dārza ķimikālijām un pretapledojuuma sāļiem.

Apkārtējās vides aizsardzība



Neutilizējiet elektrisko aprīkojumu, izlietoto akumulatoru un lādētāju sadzīves atkritumos!

Nogādājiet šo produktu uz pilnvarotu pārstrādes punktu un sagatavojiet atkritumu šķirošanai. Elektriskos instrumentus jānogādā videi nekaitīgā pārstrādes rūpnīcā.

PROBLĒMU MEKLĒŠANA UN NOVĒRŠANA

PROBLĒMA	CĒLONIS	RISINĀJUMS
Lapu sūcējs nedarbojas.	<ul style="list-style-type: none"> ■ Starp lapu sūcēju un akumulatoru bloku nav elektriskā savienojuma. ■ Akumulatoru bloks ir izlādējies. ■ Akumulators vai pūtējs ir pārāk sakarsis. ■ Mašīna nav pilnībā uzstādīta. 	<ul style="list-style-type: none"> ■ Izņemiet akumulatoru bloku, pārbaudiet kontaktus un ievietojiet atpakaļ. ■ Uzlādējiet akumulatoru bloku. ■ Atzesējiet akumulatoru bloku un lapu sūcēju, līdz temperatūra nokrītas zem 67 °C. ■ Izpildiet uzstādīšanas sadaļā sniegtos norādījumus, lai pilnībā un pareizi uzstādītu mašīnu.
Gaisa plūsmas ātrums ievērojami samazinās.	<ul style="list-style-type: none"> ■ Gruži gaisa ieplūdes atverē. ■ Pārmērīgs motora ventilatora nodilums. ■ Lapu savācējmaisā ir pārāk daudz gružu. 	<ul style="list-style-type: none"> ■ Izņemiet akumulatorus, notīriet netīrumus. ■ Sazinieties ar EGO servisa centru, kas veiks remontdarbus. ■ Iztukšojiet lapu savācējmaisū, izpildot sadaļas UZSTĀDĪŠANA apakšsadaļā Lapu savācējmaisa noņemšana un iztukšošana sniegtos norādījumus.

GARANTĪJA

EGO GARANTĪJAS POLITIKA

Lūdzam apmeklēt tīmekļa vietni egopowerplus.eu, kur pieejama pilna EGO garantijas politikas noteikumu un nosacījumu versija.

ΔΙΑΒΑΣΤΕ ΟΛΕΣ ΤΙΣ ΟΔΗΓΙΕΣ!



ΔΙΑΒΑΣΤΕ ΤΟ ΕΓΧΕΙΡΙΔΙΟ ΧΡΗΣΗΣ

⚠ ΠΡΟΕΙΔΟΠΟΙΗΣΗ: Προκειμένου να διασφαλιστεί η ασφάλεια και η αξιοπιστία, όλες οι επισκευές πρέπει να διενεργούνται από εξειδικευμένο τεχνικό σέρβις.

⚠ ΠΡΟΕΙΔΟΠΟΙΗΣΗ: Βεβαιωθείτε ότι έχετε διαβάσει και κατανοήσει όλες τις οδηγίες ασφάλειας στο παρόν εγχειρίδιο χρήσης, συμπεριλαμβανομένων όλων των συμβόλων ασφάλειας, όπως «**ΚΙΝΔΥΝΟΣ**», «**ΠΡΟΕΙΔΟΠΟΙΗΣΗ**» και «**ΠΡΟΣΟΧΗ**», προτού χρησιμοποιήσετε αυτό το ηλεκτρικό εργαλείο. Η μη τήρηση όλων των παρακάτω οδηγιών μπορεί να οδηγήσει σε ηλεκτροπληξία, πυρκαγιά και/ή σοβαρό τραυματισμό.

ΦΥΛΑΞΤΕ ΟΛΕΣ ΤΙΣ ΠΡΟΕΙΔΟΠΟΙΗΣΕΙΣ ΚΑΙ ΤΙΣ ΟΔΗΓΙΕΣ ΓΙΑ ΜΕΛΛΟΝΤΙΚΗ ΑΝΑΦΟΡΑ.

ΣΥΜΒΟΛΑ ΑΣΦΑΛΕΙΑΣ

⚠ ΠΡΟΕΙΔΟΠΟΙΗΣΗ: Η λειτουργία ηλεκτρικών εργαλείων μπορεί να προκαλέσει την εκτόξευση ξένων αντικειμένων στα μάτια σας, με αποτέλεσμα σοβαρό τραυματισμό. Προτού ξεκινήσετε τη χρήση του ηλεκτρικού εργαλείου, φοράτε πάντα προστατευτικά γυαλιά ή γυαλιά με πλευρική προστασία και, εφόσον απαιτείται, πλήρη προστατευτική προσωπίδα. Συνιστούμε μια προσωπίδα ασφαλείας ευρείας όρασης, για χρήση πάνω από γυαλιά ή τα συνήθη προστατευτικά γυαλιά με πλευρική προστασία.



Προειδοποίηση ασφαλείας



Προκειμένου να μειωθεί ο κίνδυνος τραυματισμού, ο χρήστης πρέπει να διαβάσει και να κατανοήσει το εγχειρίδιο χρήσης προτού να χρησιμοποιήσει αυτό το προϊόν.



Φοράτε πάντα ωτοασπίδες και προστασία ματιών όταν χρησιμοποιείτε αυτό το προϊόν.



Διατηρείτε όλους τους παρευρισκόμενους σε απόσταση τουλάχιστον 15 μ.



Εγγυημένη στάθμη ακουστικής ισχύος. Εκπομπές θορύβου στο περιβάλλον σύμφωνα με την οδηγία της Ευρωπαϊκής Ένωσης.



Αυτό το προϊόν συμμορφώνεται με τις εφαρμοστέες οδηγίες της ΕΚ.

GR



Τα απόβλητα ειδών ηλεκτρικού και ηλεκτρονικού εξοπλισμού δεν πρέπει να απορρίπτονται στα οικιακά απορρίμματα. Πρέπει να παραδίδονται σε εξουσιοδοτημένη μονάδα ανακύκλωσης.

**UK
CA**

Αυτό το προϊόν συμμορφώνεται με την ισχύουσα νομοθεσία του Η.Β.



Συνεχές ρεύμα

IPX4 Διαθέτει προστασία από πισίλισμα νερού

V Τάση

./min Ανά λεπτό

mm Χιλιοστό

n_0 Ταχύτητα χωρίς φορτίο

ΓΕΝΙΚΕΣ ΠΡΟΕΙΔΟΠΟΙΗΣΕΙΣ ΑΣΦΑΛΕΙΑΣ ΓΙΑ ΜΗΧΑΝΕΣ

⚠️ ΠΡΟΕΙΔΟΠΟΙΗΣΗ: ΔΙΑΒΑΣΤΕ ΟΛΕΣ ΤΙΣ ΠΡΟΕΙΔΟΠΟΙΗΣΕΙΣ ΑΣΦΑΛΕΙΑΣ, ΤΙΣ ΟΔΗΓΙΕΣ, ΤΙΣ ΑΠΕΙΚΟΝΙΣΕΙΣ ΚΑΙ ΤΙΣ ΠΡΟΔΙΑΓΡΑΦΕΣ ΠΟΥ ΠΑΡΕΧΟΝΤΑΙ ΜΑΖΙ ΜΕ ΑΥΤΟ ΤΟ ΜΗΧΑΝΗΜΑ. Εάν δεν τηρηθούν όλες οι οδηγίες που αναφέρονται παρακάτω, μπορεί να προκληθεί ηλεκτροπληξία, πυρκαγιά και/ή σοβαρός τραυματισμός.

ΦΥΛΑΞΤΕ ΟΛΕΣ ΤΙΣ ΠΡΟΕΙΔΟΠΟΙΗΣΕΙΣ ΚΑΙ ΤΙΣ ΟΔΗΓΙΕΣ ΓΙΑ ΜΕΛΛΟΝΤΙΚΗ ΑΝΑΦΟΡΑ.

Ο όρος «μηχανή» στις προειδοποιήσεις αναφέρεται στη μηχανή σας που λειτουργεί με ρεύμα (ενσύρματη) ή μπαταρία (ασύρματη).

ΑΣΦΑΛΕΙΑ ΣΤΟ ΧΩΡΟ ΕΡΓΑΣΙΑΣ

- Διατηρείτε το χώρο εργασίας καθαρό και καλά φωτισμένο. Οι ακατάστατοι χώροι και οι χώροι με κακό φωτισμό ενισχύουν την πιθανότητα ατυχημάτων.
- Μην χρησιμοποιείτε μηχανές σε εκρηκτικές ατμόσφαιρες, για παράδειγμα, παρουσία εύφλεκτων υγρών, αερίων ή σκόνης. Οι μηχανές δημιουργούν σπινθήρες που μπορεί να αναφλέξουν σκόνη ή αναθυμιάσεις.
- Διατηρείτε τα παιδιά και τους παρευρισκόμενους μακριά, όταν χρησιμοποιείτε τη μηχανή. Εάν κάτι αποσπάσει την προσοχή σας, μπορεί να χάσετε τον έλεγχο.

ΗΛΕΚΤΡΙΚΗ ΑΣΦΑΛΕΙΑ

- Το φως της μηχανής πρέπει να ταιριάζει στην πρίζα. Μην τροποποιήσετε ποτέ και με κανέναν τρόπο το φως. Μην χρησιμοποιείτε κανενός είδους προσαρμογείς πριζών με γειωμένες μηχανές. Τα μη τροποποιημένα φως και οι κατάλληλες πρίζες μειώνουν τον κίνδυνο ηλεκτροπληξίας.
- Αποφύγετε την επαφή με γειωμένες επιφάνειες, όπως σωλήνες, θερμαντικά σώματα, εστίες και ψυγεία. Υπάρχει αυξημένος κίνδυνος ηλεκτροπληξίας όταν το σώμα σας είναι γειωμένο.
- Μην εκθέτετε τις μηχανές σε βροχή ή υγρές συνθήκες. Η εισχώρηση νερού στη μηχανή αυξάνει τον κίνδυνο ηλεκτροπληξίας.
- Μην κακομεταχειρίζεστε το καλώδιο. Μην χρησιμοποιείτε ποτέ το καλώδιο για να μεταφέρετε, να τραβήξετε ή να αποσυνδέσετε τη μηχανή από την πρίζα. Διατηρείτε το καλώδιο μακριά από θερμότητα, λάδια, αιχμηρές γωνίες ή κινούμενα

εξαρτήματα. Τα κατεστραμμένα ή μπλεγμένα καλώδια αυξάνουν τον κίνδυνο ηλεκτροπληξίας.

- Όταν χρησιμοποιείτε μια μηχανή σε εξωτερικό χώρο, χρησιμοποιείτε καλώδιο προέκτασης κατάλληλο για χρήση σε εξωτερικούς χώρους. Τα καλώδια που είναι κατάλληλα για εξωτερικούς χώρους περιορίζουν τον κίνδυνο ηλεκτροπληξίας.
- Εφόσον δεν μπορείτε να αποφύγετε τη χρήση της μηχανής σε περιοχή με υγρασία, χρησιμοποιείτε τροφοδοσία με διακόπτη κυκλώματος βλάβης γείωσης. Ο διακόπτης κυκλώματος βλάβης γείωσης περιορίζει τον κίνδυνο ηλεκτροπληξίας.

ΠΡΟΣΩΠΙΚΗ ΑΣΦΑΛΕΙΑ

- Να βρίσκεστε πάντα σε εγρήγορση, να προσέχετε τι κάνετε και να εφαρμόζετε κοινή λογική όταν χρησιμοποιείτε μηχανή. Μην χρησιμοποιείτε κανένα μηχανήμα όταν είστε κουρασμένοι ή υπό την επίρρεια ναρκωτικών, αλκοόλ ή φαρμάκων. Μια στιγμή απροσεξίας κατά τη χρήση μηχανής μπορεί να οδηγήσει σε σοβαρό τραυματισμό.
- Χρησιμοποιείτε μέσα ατομικής προστασίας. Φοράτε πάντα προστατευτικά για τα μάτια. Η χρήση των κατάλληλων μέσων ατομικής προστασίας, όπως, μάσκα προστασίας από τη σκόνη, αντιλιοσηθιακών παπουτσιών ασφαλείας, κράνους ή υποσπίδιων, μειώνει τον κίνδυνο τραυματισμού.
- Λαμβάνετε μέτρα για να μην ενεργοποιηθεί κατά λάθος η συσκευή. Βεβαιώνετε ότι ο διακόπτης βρίσκεται στη θέση απενεργοποίησης προτού συνδέσετε τη μηχανή στην παροχή ρεύματος ή/και στη συστοιχία μπαταριών, ή όταν σηκώνετε ή μεταφέρετε τη μηχανή. Μην μεταφέρετε μηχανές έχοντας το δάκτυλο πάνω στο διακόπτη και μην τις συνδέετε στην παροχή ρεύματος με ενεργοποιημένο το διακόπτη, διότι αυξάνεται ο κίνδυνος ατυχήματος.
- Προτού ενεργοποιήσετε τη μηχανή, απομακρύνετε κάθε εργαλείο ή κλειδί ρύθμισης. Εάν το εργαλείο ή το κλειδί ρύθμισης παραμείνει επάνω στο περιστρεφόμενο μέρος της μηχανής, μπορεί να προκληθεί τραυματισμός.
- Μην τεντώνετε υπερβολικά για να πραγματοποιήσετε την εργασία. Πατάτε πάντα σταθερά και διατηρείτε την ισορροπία σας. Έτσι θα ελέγχετε καλύτερα τη μηχανή, σε περίπτωση απροσδόκων καταστάσεων.
- Φοράτε κατάλληλα ρούχα. Μην φοράτε φαρδιά ρούχα ή κοσμήματα. Διατηρείτε τα μαλλιά και τα ρούχα σας μακριά από κινούμενα μέρη. Τα φαρδιά ρούχα, τα κοσμήματα ή τα μακριά μαλλιά ενδέχεται να εμπλακούν σε κινούμενα μέρη.

GR

- Εάν υπάρχει δυνατότητα σύνδεσης συσκευών απομάκρυνσης και συλλογής σκόνης, βεβαιωθείτε ότι αυτές οι συσκευές έχουν συνδεθεί και χρησιμοποιούνται σωστά. Η χρήση συσκευών συλλογής σκόνης μπορεί να μειώσει τους κινδύνους που σχετίζονται με αυτή.
- Ακόμα κι εάν χρησιμοποιείτε συχνά μηχανές, μην εφησυχάζετε και μην παραβλέπετε τις βασικές αρχές ασφαλείας. Μια πρόσθετη ενέργεια μπορεί να οδηγήσει σε σοβαρό τραυματισμό σε κλάσματα δευτερολέπτου.

ΧΡΗΣΗ ΚΑΙ ΦΡΟΝΤΙΔΑ ΜΗΧΑΝΗΣ

- Μην πιέζετε το μηχανήμα. Χρησιμοποιήστε τη σωστή μηχανή για την εκάστοτε εργασία. Η εργασία θα πραγματοποιηθεί καλύτερα και ασφαλέστερα εάν χρησιμοποιηθεί η κατάλληλη μηχανή και στην ταχύτητα για την οποία έχει σχεδιαστεί.
- Μην χρησιμοποιείτε τη μηχανή εάν δεν μπορείτε να την ενεργοποιήσετε και να την απενεργοποιήσετε από το διακόπτη. Οποιοδήποτε μηχανή δεν μπορεί να ελεγχθεί με το διακόπτη είναι επικίνδυνη και πρέπει να επισκευαστεί.
- Αποσυνδέστε το φως από την πρίζα και/ή αφαιρέστε τη συστοιχία μπαταριών από το μηχανήμα πριν κάνετε οποιαδήποτε ρύθμιση, αλλάξετε εξαρτήματα και πριν αποθηκεύσετε το εργαλείο. Αυτά τα προληπτικά μέτρα ασφαλείας μειώνουν τον κίνδυνο ακούσιας εκκίνησης της μηχανής.
- Εφόσον δεν τη χρησιμοποιείτε, αποθηκεύετε τη μηχανή σε σημείο όπου δεν έχουν πρόσβαση τα παιδιά και μην επιτρέπετε σε άτομα που δεν είναι εξοικειωμένα με αυτήν ή με αυτές τις οδηγίες να τη χρησιμοποιήσουν. Οι μηχανές είναι επικίνδυνες στα χέρια απόμων που δεν έχουν εκπαιδευτεί στη χρήση τους.
- Συντήρηση μηχανών και παρελκόμενων. Ελέγχετε για κακή ευθυγράμμιση ή εμπλοκή των κινούμενων εξαρτημάτων, για σπασμένα εξαρτήματα και για κάθε άλλη κατάσταση που μπορεί να επηρεάσει τη λειτουργία της μηχανής. Σε περίπτωση ζημιάς, επισκευάστε τη μηχανή πριν από τη χρήση. Πολλά ατυχήματα προκαλούνται εξαιτίας πλημμελώς συντηρημένων μηχανών.
- Διατηρείτε τις μηχανές κοπής κοφτερές και καθαρές. Οι μηχανές κοπής που συντηρούνται σωστά και διαθέτουν αιχμηρές κόψεις είναι λιγότερο πιθανό να μπλοκάρουν, ενώ είναι ευκολότερες στο χειρισμό.
- Χρησιμοποιείτε τη μηχανή, τα παρελκόμενα, τις μύτες, κτλ., σύμφωνα με αυτές τις οδηγίες, λαμβάνοντας υπόψη τις συνθήκες εργασίας και την

προς εκτέλεση εργασία. Η χρήση της μηχανής για σκοπούς διαφορετικούς από τους προβλεπόμενους μπορεί να οδηγήσει σε επικίνδυνες καταστάσεις.

- Διατηρείτε τις λαβές και τις επιφάνειες συγκράτησης στεγνές και καθαρές, χωρίς λάδια και γράσα. Εάν οι λαβές και οι επιφάνειες συγκράτησης είναι ολισθηρές δεν θα μπορείτε να χειριστείτε με ασφάλεια τη μηχανή, ούτε θα μπορείτε να την ελέγξετε σε περίπτωση που προκύψει κάποια απροσδόκητη κατάσταση.

ΧΡΗΣΗ ΚΑΙ ΦΡΟΝΤΙΔΑ ΜΗΧΑΝΗΣ ΜΠΑΤΑΡΙΑΣ

- Επαναφορτίζετε το ηλεκτρικό εργαλείο μόνο με το φορτιστή που έχει καθορίσει ο κατασκευαστής. Οι φορτιστές που είναι κατάλληλοι για έναν συγκεκριμένο τύπο συστοιχίας μπαταριών μπορεί να προκαλέσουν πυρκαγιά εάν χρησιμοποιηθούν για κάποιον άλλον τύπο.
- Χρησιμοποιείτε τη μηχανή μόνο με τις συστοιχίες μπαταριών που προορίζονται ειδικά για αυτήν. Εάν χρησιμοποιηθεί οποιαδήποτε άλλη συστοιχία μπαταριών, μπορεί να προκληθεί τραυματισμός και πυρκαγιά.
- Όταν η συστοιχία μπαταριών δεν χρησιμοποιείται, φυλάσσετε την μακριά από μεταλλικά αντικείμενα, όπως, συνδετήρες, κέρματα, κλειδιά, καρφιά, βίδες ή άλλα μικρά μεταλλικά αντικείμενα, τα οποία μπορεί να δημιουργήσουν σύνδεση μεταξύ των ακροδεκτών. Το βραχυκύκλωμα των ακροδεκτών της συστοιχίας μπαταριών μεταξύ τους ενδέχεται να προκαλέσει εγκαύματα ή πυρκαγιά.
- Σε συνθήκες κακής χρήσης, μπορεί να διαρρέυσει υγρό από τη συστοιχία μπαταριών. Αποφύγετε την επαφή με αυτό. Σε περίπτωση τυχαίας επαφής, ξεπλύνετε καλά με νερό. Εάν το υγρό έρθει σε επαφή με τα μάτια, αναζητήστε επιπρόσθετα ιατρική βοήθεια. Το υγρό που διαρρέει από τη συστοιχία μπαταριών μπορεί να προκαλέσει ερεθισμό ή εγκαύματα.
- Μην χρησιμοποιείτε τη συστοιχία μπαταριών ή τη μηχανή εάν έχουν υποστεί ζημιά ή έχουν τροποποιηθεί. Οι συστοιχίες μπαταριών που έχουν υποστεί ζημιά ή έχουν τροποποιηθεί μπορεί να έχουν απρόβλεπτη συμπεριφορά και να προκαλέσουν πυρκαγιά, έκρηξη ή τραυματισμό.
- Μην εκθέτετε τη συστοιχία μπαταριών ή τη μηχανή σε φωτιά ή υπερβολικά υψηλές θερμοκρασίες. Η έκθεση σε φωτιά ή θερμοκρασία πάνω από 130 °C μπορεί να προκαλέσει έκρηξη.

- Τηρείτε όλες τις οδηγίες φόρτισης και μη φορτίζετε τη συστοιχία μπαταριών ή τη μηχανή εκτός του εύρους θερμοκρασίας που καθορίζεται στις οδηγίες. Εάν η φόρτιση δε γίνει σωστά ή πραγματοποιηθεί σε θερμοκρασία εκτός του καθορισμένου εύρους, η συστοιχία μπαταριών μπορεί να υποστεί ζημιά και να αυξηθεί ο κίνδυνος πυρκαγιάς.

ΣΕΡΒΙΣ

- Το σέρβις της μηχανής σας πρέπει να γίνεται από εξειδικευμένο τεχνικό, χρησιμοποιώντας μόνο όμοια ανταλλακτικά. Αυτό θα διασφαλίσει τη διατήρηση της ασφάλειας του μηχανήματος.
- Μην επιχειρήσετε ποτέ να επισκευάσετε συστοιχία μπαταριών που έχει υποστεί ζημιά. Η συστοιχία μπαταριών πρέπει να επισκευάζεται μόνο από τον κατασκευαστή ή από εξουσιοδοτημένα κέντρα σέρβις.

ΠΡΟΕΙΔΟΠΟΙΗΣΕΙΣ ΑΣΦΑΛΕΙΑΣ ΦΥΣΗΤΗΡΑ/ΑΝΑΡΡΟΦΗΤΗΡΑ

- Μην χρησιμοποιείτε το μηχανήμα υπό κακές καιρικές συνθήκες, ειδικά όταν υπάρχει κίνδυνος αστραπών. Έτσι μειώνεται ο κίνδυνος να σας χτυπήσει κεραυνός.
- Ελέγχετε συχνά το συλλέκτη ρύπων για φθορά ή βλάβη. Ένας φθαρμένος ή κατεστραμμένος συλλέκτης απορριμμάτων μπορεί να αυξήσει τον κίνδυνο τραυματισμού.
- Φοράτε προστατευτικά γυαλιά και προστατευτικά αυτιών. Ο κατάλληλος προστατευτικός εξοπλισμός θα μειώσει τον κίνδυνο τραυματισμού.
- Κατά το χειρισμό του μηχανήματος, φοράτε πάντα αντιολισθητικά και προστατευτικά υποδήματα. Μην χρησιμοποιείτε το μηχανήμα ξυπόλητοι ή φορώντας σανδάλια. Αυτό θα μειώσει τον κίνδυνο τραυματισμού των ποδιών.
- Μην φοράτε φαρδιά ρούχα ή αντικείμενα όπως φουλάρια, κορδόνια, αλυσίδες, γραβάτες, κτλ., τα οποία θα μπορούσαν να απορροφηθούν από τις εισόδους αέρα. Μαζεύετε ή καλύπτετε τα μακριά μαλλιά ώστε να μην απορροφηθούν από τις εισόδους αέρα. Εάν κάποιο από αυτά τα αντικείμενα απορροφηθεί από τις εισόδους αέρα μπορεί να αυξηθεί ο κίνδυνος τραυματισμού.
- Διατηρείτε μακριά τους παρευρισκόμενους κατά τη διάρκεια λειτουργίας του μηχανήματος. Τα εκσφενδονιζόμενα θραύσματα μπορεί να αυξήσουν τον κίνδυνο τραυματισμού.

- Μη χρησιμοποιείτε τη λειτουργία αναρρόφησης χωρίς να είναι τοποθετημένος ο συλλέκτης υπολειμμάτων. Τα αντικείμενα που πετιούνται μπορεί να αυξήσουν τον κίνδυνο ατομικού τραυματισμού.
- Ποτέ μην στρέψετε το ακροφύσιο του φυσητήρα προς την κατεύθυνση ανθρώπων, κατοικίδιων ζώων ή παραθύρων. Προσέχετε ιδιαίτερα όταν φυσάτε θραύσματα κοντά σε στερεά αντικείμενα, όπως δέντρα, αυτοκίνητα και τοίχους που μπορεί να προκαλέσουν τον εξοστρακισμό των θραυσμάτων. Τα εκσφενδονιζόμενα αντικείμενα μπορεί να προκαλέσουν υλικές ζημιές και να αυξήσουν τον κίνδυνο τραυματισμών.
- Μη χρησιμοποιείτε το μηχανήμα για την συγκέντρωση ή το φύσημα καμμένων υλών ή που καπνίζουν όπως τσιγάρα, σπίρα ή καυτές στάχτες. Αυτές οι πηγές ανάφλεξης μπορεί να αυξήσουν τον κίνδυνο πυρκαγιάς.
- Μην αναρροφάτε νερό ή άλλα υγρά και μην βυθίζετε οποιοδήποτε μέρος του μηχανήματος σε υγρό. Η είσοδος νερού στο μηχανήμα μπορεί να αυξήσει τον κίνδυνο ηλεκτροπληξίας.
- Μην αναρροφάτε πέτρες, χαλίκια, μέταλλα ή σπασμένα γυαλιά. Ο τροχός ανεμιστήρα μπορεί να πάθει ζημιά και να αυξηθεί ο κίνδυνος ατομικού τραυματισμού.
- Μην αγγίζετε τον φυσητήρα ενώ εξακολουθεί να βρίσκεται σε κίνηση. Απενεργοποιείτε τη μηχανή και περιμένετε ώσπου να ακινητοποιηθεί ο ανεμιστήρας, προτού αφαιρέσετε οποιοδήποτε εξάρτημα ενδέχεται να παρέχει πρόσβαση σε αυτόν. Αυτό θα μειώσει τον κίνδυνο τραυματισμού από κινούμενα μέρη.
- Όταν απομακρύνετε εγκλωβισμένο υλικό ή συντηρείτε τη μηχανή, βεβαιώστε ότι ο διακόπτης λειτουργίας είναι απενεργοποιημένος. Η τυχαία ενεργοποίηση της μηχανήματος κατά την αφαίρεση εγκλωβισμένου υλικού ή κατά τη συντήρηση μπορεί να οδηγήσει σε σοβαρό τραυματισμό.

GR

ΔΙΑΒΑΣΤΕ ΟΛΕΣ ΤΙΣ ΟΔΗΓΙΕΣ ΠΡΟΤΟΥ ΝΑ ΧΡΗΣΙΜΟΠΟΙΗΣΤΕ ΑΥΤΟ ΤΟ ΠΡΟΪΟΝ!

ΕΚΠΑΙΔΕΥΣΗ

- Ποτέ μην επιτρέπετε σε παιδιά, άτομα με μειωμένες φυσικές, αισθητηριακές ή νοητικές δυνατότητες ή με έλλειψη εμπειρίας και γνώσεων ή σε

άτομα μη εξοικειωμένα με αυτές τις οδηγίες, να χρησιμοποιήσουν το μηχάνημα.

- Ο χρήστης είναι αποκλειστικά υπεύθυνος για τυχόν ατυχήματα ή κινδύνους που θα προκύψουν για άλλα άτομα ή την περιουσία τους.

ΠΡΟΕΤΟΙΜΑΣΙΑ

- Αυτό το μηχάνημα μπορεί να χρησιμοποιηθεί υπό βροχή ή υγρές συνθήκες. Στεγνώστε το μηχάνημα μετά το τέλος της εργασίας.
- Πριν από τη χρήση, ελέγχετε τις μπαταρίες ή τις συστοιχίες μπαταριών για ζημιές. Μη χρησιμοποιείτε τη συσκευή εάν οι μπαταρίες ή η συστοιχία μπαταριών έχουν φθορές.

ΛΕΙΤΟΥΡΓΙΑ

- Αυτό το μηχάνημα μπορεί να χρησιμοποιηθεί υπό βροχή ή υγρές συνθήκες. Στεγνώστε το μηχάνημα μετά το τέλος της εργασίας.
- Αποσυνδέστε τις μπαταρίες ή τις συστοιχίες μπαταριών:
 1. Όταν απομακρύνετε από το μηχάνημα.
 2. Προτού αποκαταστήσετε ένα μπλοκάρισμα.
 3. Πριν από έλεγχο, καθαρισμό ή άλλη εργασία στη συσκευή.
 4. Εάν η συσκευή αρχίσει να δονείται μη φυσιολογικά.
- Εξασφαλίστε τη σταθερή σας στάση σε κεκλιμένο έδαφος.
- Πάντα να περπατάτε, ποτέ μην τρέχετε.
- Διατηρείτε όλα τα ανοίγματα ψύξης απαλλαγμένα από ρύπους.
- Σύσταση για χρήση του μηχανήματος σε λογικές ώρες, όχι νωρίς το πρωί ή αργά το βράδυ, ώστε να μην ενοχλήσετε τους άλλους.
- Συνιστάται η ελαφριά ύγρανση των επιφανειών σε σκοτισμένες συνθήκες ή η χρήση προσαρτήματος ψεκαστήρα νερού.

⚠ ΠΡΟΕΙΔΟΠΟΙΗΣΗ: Κίνδυνος περιστρεφόμενων τμημάτων!

- Χρησιμοποιείτε την πλήρη επέκταση του ακροφυσίου μηχανήματος, έτσι ώστε η ροή του αέρα να γίνεται κοντά στο έδαφος.
- Μη χειρίζεστε το μηχάνημα κοντά σε ανοιχτά παράθυρα, κ.λπ.

ΣΥΝΤΗΡΗΣΗ ΚΑΙ ΑΠΟΘΗΚΕΥΣΗ

- Διατηρείτε όλα τα παζιμάδια, τα περικόχλια και τις βίδες καλά συσφιγμένα, έτσι ώστε να εξασφαλιστεί η ασφαλής λειτουργία της συσκευής.
- Αντικαθιστάτε τα φθαρμένα ή κατεστραμμένα εξαρτήματα.
- Χρησιμοποιείτε μόνο γνήσια ανταλλακτικά και εξαρτήματα.
- Αποθηκεύετε τη συσκευή σε ξηρό μέρος.

⚠ ΠΡΟΕΙΔΟΠΟΙΗΣΗ: Για να μειώσετε τον κίνδυνο πυρκαγιάς ή ηλεκτροπληξίας:

ΣΗΜΑΝΤΙΚΟ

ΔΙΑΒΑΣΤΕ ΠΡΟΣΕΚΤΙΚΑ ΠΡΙΝ ΑΠΟ ΤΗ ΧΡΗΣΗ.

ΦΥΛΑΞΤΕ ΓΙΑ ΜΕΛΛΟΝΤΙΚΗ ΑΝΑΦΟΡΑ.

- Μην αφήνετε το μηχάνημα να χρησιμοποιείται ως παιχνίδι. Απαιτείται εξαιρετική προσοχή κατά τη χρήση από ή κοντά σε παιδιά.
 - Εάν το μηχάνημα δε λειτουργεί όπως θα έπρεπε, εάν έχει πέσει κάτω, εάν έχει υποστεί ζημιά ή έχει πέσει στο νερό, επιστρέψτε τον σε ένα κέντρο σέρβις.
 - Μην τοποθετείτε αντικείμενα μέσα σε οποιαδήποτε ανοίγματα. Να μη χρησιμοποιείται με μπλοκαρισμένα ανοίγματα. Διατηρείτε τα ανοίγματα χωρίς σκόνη, χνούδια, τρίχες και οτιδήποτε άλλο μπορεί να μειώσει τη ροή αέρα.
 - Προσέχετε ιδιαίτερα όταν καθαρίζετε σκαλοπάτια.
 - Μην αφήνετε το μηχάνημα χωρίς επίβλεψη όταν είναι συνδεδεμένο το βύσμα της μπαταρίας. Αφαιρείτε την μπαταρία όταν το μηχάνημα δεν χρησιμοποιείται και πριν την συντήρηση.
 - Μην αγγίζετε το φορτιστή, το βύσμα του φορτιστή και τους ακροδέκτες του φορτιστή με βρεγμένα χέρια.
 - Μη φορτίζετε τη συστοιχία μπαταριών σε εξωτερικό χώρο.
- ⚠ ΠΡΟΕΙΔΟΠΟΙΗΣΗ:**
- Αφαιρείτε τη συστοιχία μπαταριών πριν από τη διάθεση της συσκευής.
 - Η συστοιχία μπαταριών πρέπει να απορρίπτεται με ασφάλεια.
- **ΜΗΝ** επιχειρήσετε να καθαρίσετε μπλοκαρίσματα στη μονάδα χωρίς να έχετε πρώτα απομακρύνει τη μπαταρία.

- Διατηρείτε το μηχάνημα και τη λαβή στεγνά, καθαρά και χωρίς λάδια και γράσα. Χρησιμοποιείτε πάντα ένα καθαρό πανί κατά τον καθαρισμό. Ποτέ μη χρησιμοποιείτε υγρά φρένων, βενζίνη, προϊόντα με βάση το πετρέλαιο ή οποιαδήποτε ισχυρά διαλυτικά για τον καθαρισμό του μηχανήματός σας. Τηρώντας αυτό τον κανόνα μειώνεται ο κίνδυνος απώλειας ελέγχου και φθοράς του πλαστικού περιβλήματος.
- Οι μπαταρίες μπορεί να εκραγούν παρουσία πηγής ανάφλεξης, όπως φλόγιστρου. Για να μειωθεί ο κίνδυνος σοβαρού τραυματισμού, μη χρησιμοποιείτε ποτέ ασύρματα προϊόντα όταν υπάρχουν ανοικτές φλόγες. Από την έκρηξη μιας μπαταρίας μπορεί να εκσφενδονιστούν μικρά τεμάχια και χημικές ουσίες. Εάν εκτεθείτε σε αυτά, ξεπλύνετε αμέσως με νερό.
- Ποτέ μη χειρίζεστε τη μονάδα χωρίς να έχετε προσαρτήσει το σωστό εξοπλισμό. Βεβαιωθείτε πάντα ότι ο σωλήνας του μηχανήματος είναι τοποθετημένος.
- Ποτέ μη χρησιμοποιείτε το μηχάνημα κοντά σε φωτιά ή καυτές στάχτες. Η χρήση κοντά σε φωτιά ή στάχτες μπορεί να προκαλέσει εξάπλωση της φωτιάς και να επιφέρει σοβαρό τραυματισμό και/ή υλική ζημιά.
- Ποτέ μη χρησιμοποιείτε το μηχάνημα για την διασπορά χημικών ουσιών, λιπασμάτων ή άλλων τοξικών ουσιών. Η διασπορά αυτών των ουσιών μπορεί να επιφέρει σοβαρό τραυματισμό στο χειριστή ή σε παρευρισκόμενους.
- Φυλάξτε αυτές τις οδηγίες. Ανατρέχετε σε αυτές συχνά και χρησιμοποιήστε τις για να καθοδηγήσετε άλλους που ενδέχεται να χρησιμοποιήσουν αυτό το μηχάνημα. Εάν δανείσετε αυτό το μηχάνημα σε κάποιον άλλο, δανείστε και αυτές τις οδηγίες, ώστε να αποτρέψετε τη λανθασμένη χρήση του προϊόντος και ενδεχόμενο τραυματισμό.

ΦΥΛΑΞΤΕ ΑΥΤΕΣ ΤΙΣ ΟΔΗΓΙΕΣ!

ΤΕΧΝΙΚΕΣ ΠΡΟΔΙΑΓΡΑΦΕΣ

Όνομαστική τάση		56 V ---
Φυσητήρας	Μέγιστος όγκος αέρα	850 m ³ /h
	Μέγιστη ταχύτητα αέρα	64 m/s (μόνο με σωλήνα φυσητήρα) 93 m/s (με κωνικό ακροφύσιο)
	Μέγιστη ισχύς ψυήματος	15 N
Χωρητικότητα σάκου φύλλων		40 λίτρα
Μέγ. Αναλογία τεμαχισμού		16 : 1
Βάρος (χωρίς συστοιχία μπαταριών και ακροφύσιο)		5,8 kg (αναρρόφηση) 4,2 kg (φυσητήρας)
Συνιστώμενη θερμοκρασία λειτουργίας		-15°C-40°C
Συνιστώμενη θερμοκρασία αποθήκευσης		-20°C-70°C
Συνιστώμενη θερμοκρασία φόρτισης		5°C-40°C
Μετρημένη στάθμη ηχητικής ισχύος L _{WA}		100 dB(A) K=1,9 dB(A)
Στάθμη ηχητικής πίεσης στη θέση εργασίας L _{PA}		88 dB(A) K=3 dB(A)
Εγγυημένη στάθμη ηχητικής ισχύος L _{WA} (κατά 2000/14/EK)		102 dB(A)
Κραδασμοί a _h		Μέγ. 1,80 m/s ² K=1,5 m/s ²

GR

- Η δηλωθείσα συνολική τιμή κραδασμών έχει μετρηθεί σύμφωνα με πρότυπη μέθοδο δοκιμής και μπορεί να χρησιμοποιηθεί για τη σύγκριση ενός εργαλείου με κάποιο άλλο.
- Η δηλωθείσα συνολική τιμή κραδασμών μπορεί να χρησιμοποιηθεί, επίσης, σε προκαταρκτική αξιολόγηση έκθεσης.

ΕΙΔΟΠΟΙΗΣΗ: Η μετάδοση της δόνησης κατά τη διάρκεια της πραγματικής χρήσης του ηλεκτρικού εργαλείου μπορεί να διαφέρει από τη δηλωθείσα τιμή στην οποία χρησιμοποιείται το εργαλείο. Για την προστασία του χειριστή, πρέπει να χρησιμοποιούνται γάντια και ωτοασπίδες υπό πραγματικές συνθήκες χρήσης.

ΚΑΤΑΛΟΓΟΣ ΕΞΑΡΤΗΜΑΤΩΝ ΣΥΣΚΕΥΑΣΙΑΣ (ΕΙΚ. Α1)

ΠΕΡΙΓΡΑΦΗ

ΓΝΩΡΙΣΤΕ ΤΟΝ ΦΥΣΗΤΗΡΑ ΦΥΛΛΩΝ (Εικ. Α1)

1. Ακροφύσιο αναρρόφησης
2. Σωλήνας αναρρόφησης
3. Λαβή μεταφοράς για τη μονάδα αναρρόφησης
4. Γρίλια εισόδου αέρα
5. Μπροστινή λαβή
6. Κουμπί αποδέσμευσης μπαταρίας
7. Επιλογέας ταχύτητας/ασφάλισης
8. Κρίκος μάντα ωμου
9. Κύρια λαβή
10. Διακόπτης ταχύτητας αέρα
11. Σάκος φύλλων
12. Ιμάντας ώμου
13. Ηλεκτρικές επαφές
14. Μάνταλο
15. Σωλήνας φυσητήρα
16. Κωνικό ακροφύσιο

GR

ΣΥΝΑΡΜΟΛΟΓΗΣΗ

⚠️ ΠΡΟΕΙΔΟΠΟΙΗΣΗ: Σε περίπτωση που κάποια από τα εξαρτήματα έχουν υποστεί ζημιά ή λείπουν, μη χρησιμοποιήσετε το προϊόν, μέχρι να αντικατασταθούν. Η χρήση αυτού του προϊόντος με φθαρμένα ή ελλιπή εξαρτήματα μπορεί να έχει ως αποτέλεσμα σοβαρό τραυματισμό.

⚠️ ΠΡΟΕΙΔΟΠΟΙΗΣΗ: Μην επιχειρήσετε να τροποποιήσετε αυτό το προϊόν ή να δημιουργήσετε εξαρτήματα που δεν συνιστώνται για χρήση με αυτό το προϊόν. Κάθε παράμοια μετατροπή ή τροποποίηση συνιστά κακή χρήση και μπορεί να δημιουργήσει επικίνδυνες καταστάσεις με επακόλουθο τον σοβαρό τραυματισμό.

⚠️ ΠΡΟΕΙΔΟΠΟΙΗΣΗ: Για να εμποδίσετε τυχαία εκκίνηση που θα μπορούσε να προκαλέσει σοβαρό τραυματισμό, απομακρύνετε πάντα τη συστοιχία μπαταριών από το μηχάνημα όταν συναρμολογείτε εξαρτήματα.

ΕΙΔΟΠΟΙΗΣΗ: Το μηχάνημα δεν μπορεί να τεθεί σε λειτουργία μέχρι να συναρμολογηθούν πλήρως και σωστά ο σωλήνας φυσητήρα ή το συγκρότημα αναρρόφησης και ο σάκος φύλλων.

ΣΥΝΑΡΜΟΛΟΓΗΣΗ/ ΑΦΑΙΡΕΣΗ ΤΟΥ ΣΩΛΗΝΑ ΤΟΥ ΦΥΣΗΤΗΡΑ

Συναρμολόγηση (Εικ. Β1 & Β2)

Ευθυγραμμίστε την εγκοπή και ωθήστε το σωλήνα επάνω στο περίβλημα φυσητήρα μέχρι ο μοχλός ασφάλισης του σωλήνα φυσητήρα να ασφαλίσει.

B-1	Μοχλός ασφάλισης σωλήνα φυσητήρα
-----	----------------------------------

Αφαίρεση (Εικ. Β3)

Πιέστε το μοχλό ασφάλισης φυσητήρα για να απεμπλέξετε το μάνταλο και κατόπιν απομακρύνετε το σωλήνα.

ΣΥΝΑΡΜΟΛΟΓΗΣΗ/ΑΦΑΙΡΕΣΗ ΤΟΥ ΚΩΝΙΚΟΥ ΑΚΡΟΦΥΣΙΟΥ ΦΥΣΗΤΗΡΑ

Συναρμολόγηση (Εικ. C1 & C2)

Ευθυγραμμίστε την εγκοπή στο κωνικό ακροφύσιο με το κουμπί σωλήνα και ωθήστε το ακροφύσιο επάνω στο σωλήνα, έως ότου κουμπώσει στη θέση του.

Αφαίρεση (Εικ. C3)

Κρατήστε πατημένο το κουμπί αποδέσμευσης του ακροφυσίου για να απασφαλίσει το μάνταλο και μετά τραβήξτε το ακροφύσιο ίσια από το σωλήνα φυσητήρα.

ΣΥΝΑΡΜΟΛΟΓΗΣΗ/ΑΦΑΙΡΕΣΗ ΤΟΥ ΣΥΓΚΡΟΤΗΜΑΤΟΣ ΑΝΑΡΡΟΦΗΣΗΣ

Συναρμολόγηση του ακροφυσίου αναρρόφησης (Εικ. D)

ΣΗΜΕΙΩΣΗ: Μόλις συνδεθούν για πρώτη φορά το ακροφύσιο και ο σωλήνας αναρροφητήρα φύλλων, δημιουργείται μια μονάδα αναρροφητήρα που δεν αποσυναρμολογείται.

Ευθυγραμμίστε την εγκοπή και ωθήστε το ακροφύσιο επάνω στον σωλήνα κενού μέχρι το κουμπί ασφάλισης ακροφυσίου αναρρόφησης να ασφαλίσει στη σωστή θέση.

Συναρμολόγηση του συγκροτήματος αναρρόφησης

1. Ωθήστε το μοχλό ασφάλισης σωλήνα αναρρόφησης για την αποδέσμευση της γρίλιας εισόδου αέρα και κατόπιν ανοίξτε τη γρίλια (Εικ. Ε1 & Ε2).

E-1	Μοχλός ασφάλισης σωλήνα αναρρόφησης
-----	-------------------------------------

2. Ευθυγραμμίστε τις δύο ανυψωμένες τετράγωνες γωνίες στο συγκρότημα αναρρόφησης με τις δύο τετράγωνες εγκοπές με εσοχή στην είσοδο αέρα όπως φαίνεται στην εικ. Ε3 για την εμπλοκή του συγκροτήματος.
3. Πιέστε το συγκρότημα αναρρόφησης προς την είσοδο αέρα μέχρι να ασφαλίσει ο μοχλός ασφάλισης σωλήνα αναρρόφησης (Εικ. Ε4).
4. Πιέστε τη γρίλια εισόδου αέρα κόντρα στο συγκρότημα διάταξης αναρρόφησης (Εικ. Ε5).

Συναρμολόγηση του σάκου φύλλων (Εικ. F)

1. Ευθυγραμμίστε την εγκοπή και ωθήστε τον συνδετήρα σάκου φύλλων επάνω στο περίβλημα αναρρόφησης μέχρι ο μοχλός ασφάλισης σάκου φύλλων να ασφαλίσει.

F-1	Συνδετήρας σάκου φύλλων	F-3	Θηλιά σάκου φύλλων
F-2	Μοχλός ασφάλισης σάκου φύλλων		

2. Αναρτήστε τη θηλιά σάκου φύλλων επάνω στον γάντζο στο συγκρότημα διάταξης αναρρόφησης όπως φαίνεται στην εικ. F.

Αφαίρεση και αδειασμα του σάκου φύλλων (Εικ. G1)

1. Αφαιρέστε τη θηλιά σάκου φύλλων από τον γάντζο στο συγκρότημα διάταξης αναρρόφησης.
2. Πιέστε το μοχλό ασφάλισης του σάκου φύλλων για να απασφαλίσετε το μάνταλο και στη συνέχεια αφαιρέστε το σάκο.
3. Ανοίξτε το φερμουάρ για να αδειάσετε το σάκο φύλλων.

G-1	Φερμουάρ
-----	----------

Αφαίρεση του συγκροτήματος αναρρόφησης (Εικ. G2 & G3)

1. Πιέστε το μοχλό ασφάλισης του σωλήνα αναρρόφησης για να ξεκλειδώσετε το σωλήνα.
2. Αφαιρέστε το συγκρότημα αναρρόφησης.
3. Πιέστε τη γρίλια εισόδου αέρα προς την είσοδο αέρα μέχρι να ασφαλίσει ο μοχλός ασφάλισης.

ΤΟΠΟΘΕΤΗΣΗ ΤΟΥ ΙΜΑΝΤΑ ΩΜΟΥ (Εικ. Η)

Πιέστε τα άγκιστρα караμπίνερ για να ανοίξετε και προσαρτήστε τα επάνω στις διατάξεις ανάρτησης του ιμάντα ώμου σε κάθε άκρο του μηχανήματος.

Υπάρχουν δύο τρόποι αποδέσμευσης του ιμάντα. Τον αφαιρείτε από τον ώμο σας απευθείας ή πιέζετε ένα από τα άγκιστρα για να αποσυνδέσετε τον ιμάντα ώμου από τη διάταξη ανάρτησης ιμάντα ώμου.

⚠️ ΠΡΟΕΙΔΟΠΟΙΗΣΗ: Όταν φοράτε τον ιμάντα, τίποτα δεν πρέπει να εμποδίζει την αποδέσμευση και την αφαίρεση του ιμάντα.

⚠️ ΠΡΟΕΙΔΟΠΟΙΗΣΗ: Σε περίπτωση επείγοντος περιστατικού, βγάλτε αμέσως τον ιμάντα από τον ώμο σας, ανεξάρτητα από τον τρόπο που τον έχετε τοποθετήσει.

⚠️ ΠΡΟΕΙΔΟΠΟΙΗΣΗ: Μην χρησιμοποιείτε τον μόνο ιμάντα ώμου και τον διπλό ιμάντα ώμου ταυτόχρονα.

⚠️ ΠΡΟΕΙΔΟΠΟΙΗΣΗ: Μην χρησιμοποιείτε ταυτόχρονα τον ιμάντα ώμου και τον σύνδεσμο σκακιδίου πλάτης BH1000 EGO. Έτσι εμποδίζεται γρήγορη αποδέσμευση έκτακτης ανάγκης του μηχανήματος με αποτέλεσμα ατομικό τραυματισμό.

ΛΕΙΤΟΥΡΓΙΑ

⚠️ ΠΡΟΕΙΔΟΠΟΙΗΣΗ: Η εξοικειωσή σας με αυτό το προϊόν δε θα πρέπει να σας κάνει λιγότερο προσεκτικούς. Θυμηθείτε πως ένα κλάσμα δευτερολέπτου προσεξίας μπορεί να προκαλέσει σοβαρό τραυματισμό.

⚠️ ΠΡΟΕΙΔΟΠΟΙΗΣΗ: Φοράτε πάντοτε προστατευτικά γυαλιά ή γυαλιά ασφαλείας με πλευρική προστασία, όπως και προστασία των αυτιών. Στην αντίθετη περίπτωση, ενδέχεται να υπάρξει εκτόξευση αντικειμένων στα μάτια σας και άλλοι πιθανοί σοβαροί τραυματισμοί.

⚠️ ΠΡΟΕΙΔΟΠΟΙΗΣΗ: Για να εμποδίσετε τυχαία εκκίνηση που θα μπορούσε να προκαλέσει σοβαρό ατομικό τραυματισμό, απομακρύνετε πάντα τη συστοιχία μπαταριών από το εργαλείο, όταν συναρμολογείτε εξαρτήματα, διεξάγετε ρυθμίσεις, καθαρισμό ή σε περίπτωση μη χρήσης.

⚠️ ΠΡΟΕΙΔΟΠΟΙΗΣΗ: Μη χρησιμοποιείτε παρελκόμενα που δεν συνιστώνται από τον κατασκευαστή αυτού του προϊόντος. Η χρήση προσαρτημάτων ή παρελκομένων που δε συνιστώνται από τον κατασκευαστή, ενέχει τον κίνδυνο σοβαρού τραυματισμού.

Πριν από κάθε χρήση, ελέγχετε πλήρως το προϊόν για φθαρμένα, ελλειπή ή χαλαρά εξαρτήματα, όπως, βίδες, παξιμάδια, μπουλόνια, πώματα, κτλ. Συσφίξτε με ασφάλεια

όλους τους σφικτήρες και τα πώματα και μη θέσετε σε λειτουργία το προϊόν προτού να αποκατασταθούν όλα τα ελλειπή ή φθαρμένα εξαρτήματα.

ΕΦΑΡΜΟΓΕΣ

Μπορείτε να χρησιμοποιήσετε αυτό το προϊόν για τους ακόλουθους σκοπούς:

- Συγκέντρωση φύλλων, κομμένου γρασιδιού και άλλων υπολειμμάτων.
- Καθαρισμός σκληρών επιφανειών όπως δρομάκια και μονοπάτια.
- Απομάκρυνση φύλλων από βεράντες και δρομάκια.

ΕΙΔΟΠΟΙΗΣΗ: Η μηχανή πρέπει να χρησιμοποιείται μόνο για την προβλεπόμενη χρήση. Οποιαδήποτε άλλη χρήση θα εκληφθεί ως καταχρηστική.

ΠΡΟΣΑΡΤΗΣΗ/ΑΠΟΜΑΚΡΥΝΣΗ ΤΗΣ ΣΥΣΤΟΙΧΙΑΣ ΜΠΑΤΑΡΙΩΝ

Να χρησιμοποιείται μόνο με τις συστοιχίες μπαταριών και τους φορτιστές της EGO που αναφέρονται στην Εικ. Α2.

ΣΗΜΕΙΩΣΗ: Φορτίστε πλήρως τη συστοιχία μπαταριών πριν από την πρώτη χρήση.

Προσάρτηση

Ευθυγραμμίστε τις νευρώσεις μπαταρίας με τις οπές τοποθέτησης και πιέστε τη συστοιχία μπαταριών κάτω, έως ότου να ακούσετε ένα «κλικ» (Εικ. Ι1).

Αφαίρεση (Εικ. Ι2)

Πιέστε το κουμπί αποδέσμευσης μπαταρίας και τραβήξτε έξω τη συστοιχία μπαταριών (Εικ. Ι2).

ΠΡΟΕΙΔΟΠΟΙΗΣΗ: Να προσέχετε πάντα την τοποθεσία των ποδιών σας, παιδιών ή κατοικίδιων όταν πιέζετε το κουμπί αποδέσμευσης μπαταρίας. Ενέχει κίνδυνο σοβαρού τραυματισμού σε περίπτωση πτώσης της συστοιχίας μπαταριών. ΠΟΤΕ μην απομακρύνετε τη συστοιχία μπαταριών σε υψηλότερο σημείο.

ΕΝΕΡΓΟΠΟΙΗΣΗ/ΑΠΕΝΕΡΓΟΠΟΙΗΣΗ ΤΗΣ ΜΗΧΑΝΗΣ

Μόνο διακόπτης ταχύτητας αέρα

1. Πατήστε το διακόπτη ταχύτητας αέρα για να ενεργοποιήσετε το μηχανήμα.
2. Η ταχύτητα αέρα του μηχανήματος ελέγχεται με το διακόπτη μεταβλητής ταχύτητας. Μεγαλύτερη πίεση στο διακόπτη επιφέρει υψηλότερες ταχύτητες αέρα.

Λιγότερη πίεση στο διακόπτη επιφέρει χαμηλότερες ταχύτητες αέρα. Ρυθμίστε την ταχύτητα ώστε να ανταποκρίνεται στην εν λόγω εργασία.

3. Απελευθερώστε το διακόπτη ταχύτητας αέρα για να απενεργοποιήσετε το μηχανήμα.

Μόνο επιλογέας ταχύτητας/ασφάλισης

Το μηχανήμα μπορεί να ασφαλίσει σε οποιαδήποτε ταχύτητα με τον επιλογέα ταχύτητας/ασφάλισης.

1. Γυρίστε τον επιλογέα ταχύτητας/ασφάλισης προς την κοινή διάταξη ανάρτησης ιμάντα ώμου για να εκκινήσετε το μηχανήμα. Η ταχύτητα του αέρα αυξάνεται καθώς περιστρέψετε τον επιλογέα μέχρι να φτάσει στη μέγιστη ταχύτητα (MAX).
2. Για να μειώσετε την ταχύτητα αέρα, γυρίστε τον επιλογέα ταχύτητας/ασφάλισης προς την αντίθετη πλευρά.
3. Συνεχίστε να γυρίζετε τον επιλογέα ταχύτητας/ασφάλισης προς τη θέση off (O) για να σταματήσετε το μηχανήμα.

ΕΙΔΟΠΟΙΗΣΗ: Εάν ο επιλογέας ταχύτητας/ασφάλισης δεν γυρίσει πάλι στη θέση off προτού αφαιρεθεί η μπαταρία, ο φυσητήρας δεν θα εκκινήσει όταν εγκατασταθεί μια πλήρως φορτισμένη μπαταρία. Υπάρχει ένα χαρακτηριστικό προστασίας που βοηθάει στην πρόληψη τυχαίας εκκίνησης. Πατήστε το διακόπτη ταχύτητας αέρα για να απενεργοποιήσετε την προστασία και να εκκινήσετε τον φυσητήρα.

ΣΥΜΒΟΥΛΕΣ ΓΙΑ ΤΗ ΧΡΗΣΗ ΤΟΥ ΦΥΣΗΤΗΡΑ (Εικ. Κ)

Για τη χρήση του μηχανήματος ως φυσητήρα, ακολουθήστε τις οδηγίες της ενότητας **ΣΥΝΑΡΜΟΛΟΓΗΣΗ** για την εγκατάσταση του συγκροτήματος αναρόφησης.

- Για να μην διασκορπιστούν υπολείμματα, φυσάτε γύρω από τις εξωτερικές άκρες μιας στοιβας υπολειμμάτων. Ποτέ μη φυσάτε απευθείας στο κέντρο μιας στοιβας.
- Για μείωση της στάθμης θορύβου, περιορίστε τον αριθμό τεμαχίων εξοπλισμού ισχύος που χρησιμοποιείται κάθε φορά.
- Χρησιμοποιείτε τσουγκράνες ή σκούπες για να αφαιρέσετε τους ρύπους πριν το φύσημα. Σε συνθήκες με σκόνη βρέξτε ελαφρά τις επιφάνειες εάν υπάρχει διαθέσιμο νερό.
- Εξοικονομείτε νερό χρησιμοποιώντας φυσητήρες ισχύος αντί για λάστιχα για πολλές εφαρμογές γρασιδιού και κήπου, συμπεριλαμβανομένων των τομών όπως αυλάκια, σήτες, αίθρια, γρίλιες, βεράντες και κήπους.

- Προσέχετε για παιδιά, κατοικίδια, ανοιχτά παράθυρα ή φρεσκοκλιμένα αυτοκίνητα και φυσάτε τα υπολείμματα με ασφάλεια μακριά.
- Μετά τη χρήση φυσητήρων ή άλλων εξοπλισμών, καθαρίζετε! Απορρίπτετε με σωστό τρόπο τα υπολείμματα.

ΣΥΜΒΟΥΛΕΣ ΓΙΑ ΤΗ ΧΡΗΣΗ ΣΤΗΝ ΑΝΑΡΡΟΦΗΣΗ (Εικ. L)

Για τη χρήση του μηχανήματος ως διάταξη αναρρόφησης, ακολουθήστε τις οδηγίες της ενότητας **ΣΥΝΑΡΜΟΛΟΓΗΣΗ** για την εγκατάσταση του συγκροτήματος αναρρόφησης, του σάκου φύλλων και του ιμάντα ώμου.

- Ελέγχετε το σάκο φύλλων τακτικά για φθορές ή μείωση της απόδοσης.
- Για να αποφύγετε την ανάδυση σκόνης, κλείστε εντελώς το φερμουάρ του σάκου φύλλων πριν εκκινήσετε το μηχάνημα.
- Αδειάστε το σάκο φύλλων πριν αυτός γεμίσει.
- Για να αποφύγετε την είσοδο νερού στο μηχάνημα, χρησιμοποιήστε το μηχάνημα για να συλλέξετε τα βρεγμένα φύλλα από το έδαφος, αλλά όχι από πισίνα.
- Μην αφήνετε πλαστικές σακούλες, υφάσματα και άλλα αντικείμενα που δεν σπάνε/κόβονται εύκολα και μπορούν εύκολα να μπλεχθούν στο εσωτερικό του μηχανήματος.
- Μην αφήνετε σκληρά υλικά, όπως μεγάλα κομμάτια ξύλου, μέταλλα, γυαλί, βότσαλα κ.λπ. να αναρροφώνται από το μηχάνημα.

ΣΥΝΤΗΡΗΣΗ

⚠ ΠΡΟΕΙΔΟΠΟΙΗΣΗ: Κατά τη συντήρηση, χρησιμοποιείτε μόνο όμοια ανταλλακτικά. Η χρήση οποιωνδήποτε άλλων εξαρτημάτων μπορεί να προκαλέσει κίνδυνο ή υλικές ζημιές. Προκειμένου να διασφαλιστεί η ασφάλεια και η αξιοπιστία, όλες οι επισκευές πρέπει να διενεργούνται από εξειδικευμένο τεχνικό σέρβις.

⚠ ΠΡΟΕΙΔΟΠΟΙΗΣΗ: Για την αποφυγή σοβαρού τραυματισμού, αφαιρέιτε πάντοτε τη συστοιχία μπαταριών από το προϊόν πριν από τον καθαρισμό του ή πριν από οποιαδήποτε συντήρηση.

ΓΕΝΙΚΗ ΣΥΝΤΗΡΗΣΗ

Αποφύγετε τη χρήση διαλυτών κατά τον καθαρισμό των πλαστικών εξαρτημάτων. Τα περισσότερα πλαστικά είναι ευπαθή στη χρήση διαφόρων τύπων διαλυτών του εμπορίου και καταστρέφονται από τη χρήση τους. Χρησιμοποιείτε καθαρό πανί για την απομάκρυνση βρωμιάς, σκόνης, λαδιού, γράσου, κτλ.

⚠ ΠΡΟΕΙΔΟΠΟΙΗΣΗ: Τα πλαστικά εξαρτήματα δεν πρέπει να έρθουν ποτέ σε επαφή με υγρά φρένων, βενζίνη, πετρελαϊκά προϊόντα, διεσδυτικά λάδια, κτλ. Τα χημικά μπορούν να φθείρουν, να αποδυναμώσουν ή να καταστρέψουν τα πλαστικά εξαρτήματα με κίνδυνο σοβαρού τραυματισμού.

ΑΠΟΘΗΚΕΥΣΗ

- Αφαιρέστε τη συστοιχία μπαταριών από το μηχάνημα.
- Απομακρύνετε τα ξένα υλικά από τις εισόδους αέρα του μηχανήματος.
- Αποθηκεύστε σε κλειστό χώρο όπου δεν πλησιάζουν παιδιά. Να διατηρείται μακριά από διαβρωτικές ουσίες, όπως χημικές ουσίες και αποπαγωγικά άλατα κήπου.

Προστασία του περιβάλλοντος



Μην απορρίπτετε ηλεκτρικό εξοπλισμό, παλιές μπαταρίες και φορτιστές στα οικιακά απορρίμματα!

Μεταφέρετε αυτό το προϊόν σε εξουσιοδοτημένο κέντρο ανακύκλωσης και παραδώστε το για ξεχωριστή συλλογή. Τα ηλεκτρικά εργαλεία πρέπει να επιστρέφονται σε περιβαλλοντικά συμβατή μονάδα ανακύκλωσης.

ΑΝΤΙΜΕΤΩΠΙΣΗ ΠΡΟΒΛΗΜΑΤΩΝ

ΠΡΟΒΛΗΜΑ	ΑΙΤΙΑ	ΑΝΤΙΜΕΤΩΠΙΣΗ
<p>Η διάταξη αναρρόφησης φύλλων δεν λειτουργεί.</p>	<ul style="list-style-type: none"> ■ Δεν υπάρχει ηλεκτρική επαφή μεταξύ της διάταξης αναρρόφησης φύλλων και της συστοιχίας μπαταριών ■ Η συστοιχία μπαταριών έχει αδειάσει. ■ Η συστοιχία μπαταριών ή ο φυσητήρας είναι πολύ καυτά. ■ Το μηχάνημα δεν είναι πλήρως συναρμολογημένο. 	<ul style="list-style-type: none"> ■ Απομακρύνετε τη συστοιχία μπαταριών, ελέγξτε τις επαφές και εγκαταστήστε εκ νέου τη συστοιχία μπαταριών. ■ Φορτίστε τη συστοιχία μπαταριών. ■ Επιτρέψτε να κρυώσει η συστοιχία μπαταριών και η διάταξη αναρρόφησης έως ότου η θερμοκρασία να πέσει κάτω από τους 67 °C. ■ Ακολουθήστε τις οδηγίες στην ενότητα Συναρμολόγηση για να συναρμολογήσετε το μηχάνημα πλήρως και σωστά.
<p>Η ταχύτητα του αέρα μειώνεται σημαντικά.</p>	<ul style="list-style-type: none"> ■ Η είσοδος αέρα έχει φράξει από ακαθαρσίες. ■ Έχει φθαρεί υπερβολικά ο ανεμιστήρας του μοτέρ. ■ Πάρα πολλά υπολείμματα μέσα στο σάκο φύλλων. 	<ul style="list-style-type: none"> ■ Αφαιρέστε τις μπαταρίες και καθαρίστε τα υπολείμματα. ■ Επικοινωνήστε με το κέντρο σέρβις της EGO για επισκευή. ■ Αδειάστε το σάκο φύλλων ακολουθώντας τις οδηγίες στο κεφάλαιο Αφαίρεση και άδειασμα του σάκου φύλλων στην ενότητα ΣΥΝΑΡΜΟΛΟΓΗΣΗ.

ΕΓΓΥΗΣΗ

ΠΟΛΙΤΙΚΗ ΕΓΓΥΗΣΗΣ EGO

Επισκεφθείτε την ιστοσελίδα egopowerplus.eu για όλους τους όρους και τις προϋποθέσεις της πολιτικής εγγύησης EGO.

GR

TÜM TALİMATLARI OKUYUN!



KULLANIM KILAVUZUNU OKUYUN

UYARI: Emniyet ve güvenilirliği sağlamak için tüm tamir işleri yetkili bir servis teknisyeni tarafından yapılmalıdır.

UYARI: Bu aleti kullanmadan önce "TEHLİKE", "UYARI" ve "DİKKAT" gibi tüm güvenlik uyarı ve sembollerini içeren bu Kullanım Kılavuzundaki tüm güvenlik talimatlarını okuyup anladığınızdan emin olun. Aşağıdaki talimatların tamamına uyulmaması elektrik çarpması, yangın ve/veya ciddi yaralanma ile sonuçlanabilir.

TÜM UYARI VE TALİMATLARI GELECEKTE BAŞVURU AMACIYLA MUHAFAZA EDİN.

GÜVENLİK SEMBOLLERİ

UYARI: Elektrikli aletler kullanılırken yabancı nesnelere gözlerinize fırlayabilir ve bu da gözlerinize ciddi biçimde zarar verebilir. Elektrikli aleti kullanmaya başlamadan önce daima göz koruması veya yan siperleri olan koruyucu gözlük takın ve gerektiğinde tam yüz siperi kullanın. Gözlük üzerinde kullanım için Geniş Görüşlü Güvenlik Maskesi takmanızı veya yan siperleri olan standart koruyucu gözlük takmanızı öneririz.



Güvenlik Uyarısı



Bu ürünü kullanırken daima kulak koruması ve göz koruması kullanın.



Garanti edilen ses gücü seviyesidir. Çevre gürültü emisyonu Avrupa Birliği Yönetmeliği'ne uygundur.



Atık elektrikli ürünler, evsel atıklar ile birlikte bertaraf edilmemelidir. Yetkili bir geri dönüşüm merkezine teslim edilmelidir.



Doğru Akım



Voltaj



Milimetre



Yaralanma riskini azaltmak için kullanıcı bu ürünü kullanmadan önce kullanım kılavuzunu okuyup anlamalıdır.



Çevredeki herkesi en az 15 metre uzakta tutun.



Bu ürün, yürürlükteki AB yönetmeliklerine uygundur.



Bu ürün, yürürlükteki Birleşik Krallık yasalarına uygundur.

IPX4

Sıçrayan Suya Karşı Koruma

./dk.

Dakika Başına

n₀

Yüksüz Hız

TR

MAKİNE İÇİN GENEL GÜVENLİK UYARILARI

⚠ UYARI: BU MAKİNE İLE BİRLİKTE VERİLEN TÜM GÜVENLİK UYARILARINI, TALİMATLARINI, RESİMLİ AÇIKLAMALAR VE TEKNİK ÖZELLİKLERİ OKUYUN. Aşağıdaki talimatların tamamına uyulmaması elektrik çarpması, yangın ve/veya ciddi yaralanma ile sonuçlanabilir.

TÜM UYARI VE TALİMATLARI GELECEKTE BAŞVURU AMACIYLA MUHAFAZA EDİN.

Uyarılarda geçen "makine" terimi, elektrikle çalışan (kablolu) veya akü ile çalışan (kablesiz) makinelenizi ifade eder.

ÇALIŞMA ALANI GÜVENLİĞİ

- Çalışma alanını temiz tutun ve yeterli aydınlatma sağlayın. Karışık veya karanlık alanlar kazalara yol açar.
- Makineleri yanıcı sıvıların, gazların veya tozların bulunduğu patlayıcı ortamlarda çalıştırmayın. Makineler, tozları veya dumanları tutuşturabilecek kıvılcımlar oluşturur.
- Bir makineyi kullanırken çocukların ve etraftaki kişilerin makineden uzakta olduğundan emin olun. Dikkatinizin dağılması kontrolü kaybetmenize neden olabilir.

ELEKTRİK GÜVENLİĞİ

- Makine fişleri prize uygun olmalıdır. Fiş üzerinde asla değişiklik yapmayın. Topraklı (topraklamalı) makineler için herhangi bir adaptör fişi kullanmayın. Üzerinde değişiklik yapılmamış fişler ve uygun prizler elektrik çarpması riskini azaltır.
- Boru, radyatör, fırınlı ocak ve buzdolabı gibi topraklanmış yüzeylerle temastan kaçının. Topraklanmış yerlerle temas etmeniz halinde elektrik çarpması riski artar.
- Makineleri yağmura veya ıslak koşullara maruz bırakmayın. Makineye giren su elektrik çarpması riskini artırır.
- Kabloyu hatalı kullanmayın. Kabloyu asla makineyi taşımak, çekmek veya fişi prizden çıkarmak için kullanmayın. Kabloyu sıcaktan, yağdan, keskin kenarlardan veya hareketli parçalardan uzak tutun. Hasarlı veya birbirine dolanmış kablolar elektrik çarpması riskini artırır.

- Bir makineyi açık havada kullanırken, uygun bir dış mekan uzatma kablosu kullanın. Dış mekan için uygun bir kablunun kullanılması elektrik çarpması riskini azaltır.
- Makinenin rutubetli bir ortamda kullanılması gerekirse kaçak akım rölesi bulunan bir şebeke kullanın. GFCİ (toprak hata devre kesicisi) kullanımı elektrik çarpması riskini azaltır.

KİŞİSEL GÜVENLİK

- Makineyi kullanırken daima dikkatli olun, yaptığınız işe yoğunlaşın ve sağduyulu davranın. Makineyi yorgunken ya da uyuşturucu, alkol ya da ilaç etkisi altındayken kullanmayın. Makineleri kullanırken bir anlık dikkatsizlik ciddi kişisel yaralanmaya sonuçlanabilir.
- Kişisel koruyucu ekipman kullanın. Daima koruyucu gözlük takın. Koşullara uygun toz maskesi, kaymaz emniyet ayakkabıları, kask veya işitme koruması gibi koruyucu ekipman kullanılması yaralanmaları azaltır.
- Yanlışlıkla çalıştırmaktan kaçının. Makinenin güç kaynağı ve/veya akü ile bağlantısını yapmadan, kaldırmadan veya taşımadan önce açma/kapatma düğmesinin kapalı olduğundan emin olun. Parmacağınız açma/kapatma düğmesinin üzerindeki veya çalışır haldeyken makineleri taşımak kazalara davetiye çıkarır.
- Makineye takılı herhangi bir alyan veya anahtar varsa makineyi çalıştırmadan önce bunları çıkarın. Makinenin döner parçalarına takılı bir alyan veya anahtar yaralanmalara neden olabilir.
- Dengesiz bir duruşla çalışma yapmayın. Çalışma süresince ayaklarınızı sağlam basın ve dengeyi koruyun. Bu sayede beklenmedik durumlarda makine daha iyi kontrol edilebilir.
- Uygun bir şekilde giyinin. Bol giysiler giymeyin veya takı takmayın. Saçınızı, kıyafetlerinizi hareketli parçalardan uzak tutun. Bol giysiler, takılar veya uzun saçlar hareketli parçalara takılabilir.
- Toz emme ve toplama araçlarının bağlantısı için sağlanan cihazlar varsa bunların takılı olduğundan ve düzgün bir biçimde kullanıldığından emin olun. Toz tutucu cihazların kullanımı tozdan kaynaklanabilecek tehlikeleri azaltabilir.
- Makineleri sık kullanarak edindiğiniz alışkanlık rahat olmanıza ve makinelerin güvenlik ilkelerini göz ardı etmenize neden olmamalıdır. Dikkatsiz bir hareket, saniyenin binde birindeki bir sürede ağır yaralanmalara neden olabilir.

MAKİNE KULLANIMI VE BAKIMI

- **Makineyi zorlamayın. Uygulamanız için doğru makineyi kullanın.** Doğru makine, tasarımına uygun değerlerde kullanıldığında daha iyi ve daha güvenli çalışır.
- **Açma/kapatma düğmesi çalışmıyorsa makineyi kullanmayın.** Açma/kapama düğmesi ile kontrol edilemeyen bir makine tehlikelidir ve onarılması gerekir.
- **Herhangi bir ayar işlemi, aksesuar değişimi veya makinelerin depolanması öncesinde fişi prizden çekin ve/veya bataryayı elektrikli aletten çıkarın.** Bu tür önleyici güvenlik önlemleri, makinenin yanlışlıkla çalışması riskini azaltır.
- **Kullanılmayan makineleri çocukların erişemeyeceği bir yerde saklayın ve makine veya bu talimatlar hakkında bilgi sahibi olmayan kişilerin makineyi çalıştırmasına izin vermeyin.** Makineler eğitimsiz kullanıcıların elinde tehlikelidir.
- **Makinelerin ve aksesuarların bakımını yapın.** Hareketli parçaların kusursuz olarak işlev görmediğini ve sıkışıp sıkışmadığını, parçaların hasarlı olup olmadığını ve makinenin çalışmasını etkileyebilecek tüm diğer koşulları kontrol edin. Hasar görmüşse kullanmadan önce makineyi tamir ettirin. Kazaların çoğu, makine bakımının yeterli şekilde yapılmamasından kaynaklanır.
- **Kesici makineleri keskin ve temiz tutun.** Keskin kesim kenarlarına sahip, bakımı düzgün yapılmış kesim makineleri daha az sorun çıkarır ve kontrolü kolaydır.
- **Makineyi, aksesuarlarını ve makine uçlarını vb. çalışma şartlarını ve yapılacak işi dikkate alarak bu talimatlara uygun şekilde kullanın.** Makinenin kullanım amacı dışındaki işlerde kullanılması tehlikeli durumlara neden olabilir.
- **Tutma saplarını/kollarını ve kavrama yüzeylerini kuru, temiz, benzin ve yağdan uzak tutun.** Kaygan tutma kolları ve kavrama yüzeyleri, makinenin beklenmeyen durumlarda güvenli bir şekilde tutulmasına ve kontrol edilmesine izin vermez.

BATARYA İLE ÇALIŞAN MAKİNE KULLANIMI VE BAKIMI

- **Sadece üretici tarafından belirtilen şarj cihazı ile şarj edin.** Bir akü türü için uygun olan şarj cihazı, başka bir akü ile kullanıldığında yangın riski oluşturabilir.
- **Makineleri sadece özel olarak tasarlanan akülerle birlikte kullanın.** Başka akü türlerinin kullanımını yarananma ve yangın tehlikesi oluşturabilir.
- **Akü/batarya takımı kullanımda olmadığı durumlarda akü/batarya takımını ataş, bozuk para, anahtar, çivi,**

vida veya akü/batarya kutupları arasında kısa devre yapabilecek diğer metal nesnelere uzak tutun. Akü kutuplarının kısa devre yapılması yangın veya yanıklara neden olabilir.

- **Kötü şartlar altında aküden sıvı akışı olabilir; bu sıvı ile temas etmekten kaçının. Yanlışlıkla temas edilirse etkilenen bölgeyi su ile yıkayın. Sıvı göze temas ederse ayrıca tıbbi yardım alın.** Aküden/bataryadan akan sıvı tahriş veya yanıklara neden olabilir.
- **Hasarlı veya üzerinde değişiklik yapılmış bir aküyü veya makineyi kullanmayın.** Hasarlı veya üzerinde değişiklik yapılmış aküler yangın, patlama veya yaralanma riskine neden olacak şekilde beklenmeyen davranışlar gösterebilir.
- **Aküyü veya makineyi ateşe veya aşırı sıcaklıklara maruz bırakmayın.** Ateşe veya 130 °C'nin üzerindeki sıcaklıklara maruz kalması patlamaya neden olabilir.
- **Tüm şarj talimatlarına uyun ve bataryayı veya makineyi talimatlarda belirtilen sıcaklık aralığının dışındaki sıcaklıklarda şarj etmeyin.** Hatalı veya belirtilen sıcaklık aralığının dışındaki sıcaklıklarda şarj etmek, aküye/bataryaya zarar verebilir ve yangın riskini artırır.

SERVİS

- **Makinenizi sadece orijinal yedek parça kullanan yetkili bir servis personeline tamir ettirin.** Bu sayede makinenin güvenliğinin korunması sağlanır.
- **Asla hasarlı akülere bakım-onarım yapmayın.** Akülerin/bataryaların bakımı sadece üretici veya yetkili servisler tarafından yapılmalıdır.

ÜFLEME MAKİNESİ/SÜPÜRGESİ GÜVENLİK UYARILARI

- **Kötü hava koşullarında, özellikle de yıldırım riski olduğunda makineyi kullanmayın.** Bu sayede yıldırım çarpması riskini azaltmış olursunuz.
- **Atık toplayıcıyı sık sık aşınma veya bozulmalara karşı kontrol edin.** Yıpranmış veya hasarlı bir kalıntı toplayıcı yarananma riskini artırabilir.
- **Göz koruması ve kulak koruması kullanın.** Yeterli koruyucu ekipman kişisel yarananma riskini azaltır.
- **Makineyi çalıştırırken daima kaymayan ve koruyucu ayakta giyin.** Çıplak ayakla veya açık sandaletlerle makineyi çalıştırmayın. Bu, ayakların yarananma riskini azaltır.
- **Bol giysiler giymeyin veya hava girişlerine çekilebilecek eşarp, ip, zincir, kravat vb. eşyalar**

TR

kullanmayın. Hava girişlerine çekilmediğinden emin olmak için uzun saçları arkadan bağlayın veya örtün. Bu nesnelere herhangi birinin hava girişlerine çekilmesi yaralanma riskini artırabilir.

- **Makineyi çalıştırırken etraftaki kişileri uzak tutun.** Fırlatılan artıklar yaralanma riskini artırabilir.
- **Kalıntı toplayıcı yerinde olmadan emiş modunda kullanmayın.** Atılan nesnelere yaralanma riskini artırabilir.
- **Üfleyici başlığını asla insanlara veya evcil hayvanlara ya da pencerelere doğru tutmayın.** Artıkların sekmesine neden olabilecek ağaçlar, otomobiller ve duvarlar gibi katı nesnelere yakınında artıkları üflerken ekstra dikkatli olun. Fırlatılan nesnelere maddi hasara neden olabilir ve yaralanma riskini artırabilir.
- **Sigara, kibrit veya sıcak kül gibi yanan veya tüten herhangi bir şeyi toplamak veya üfleme için makineyi kullanmayın.** Bu alev kaynakları yangın riskini artırabilir.
- **Suyu veya diğer sıvıları vakumlamayın veya makinenin herhangi bir parçasını sıvıya batırmayın.** Makineye giren su, elektrik çarpması riskini artırabilir.
- **Taş, çakıl, metal veya kırık camı süpürmeyin.** Fan çarkı hasar görebilir ve kişisel yaralanma riskini artırabilir.
- **Hareket halindeyken fana dokunmayın.** Fana erişim sağlayabilecek herhangi bir parçayı çıkarmadan önce makineyi kapatın ve fanın durmasını bekleyin. Bu önleme uyulması, hareketli parçalardan kaynaklanan yaralanma riskini azaltır.
- **Sıkışan malzemeyi temizlerken veya makineye bakım yaparken, güç düğmesinin kapalı olduğundan emin olun.** Sıkışan malzemeyi temizlerken veya bakım yaparken makinenin beklenmedik şekilde çalıştırılması ciddi yaralanmalara neden olabilir.

TR

BU ÜRÜNÜ KULLANMADAN ÖNCE TÜM TALİMATLARI OKUYUN!

EĞİTİM

- **Çocukların, fiziksel duyu kaybı veya zihinsel yetenekleri zayıf veya tecrübe ve bilgi yetersizliği olan kişilerin veya kullanma talimatları hakkında yeterli bilgiye sahip olmayanların makineyi kullanmasına asla izin vermemeyin.**
- **Operatör veya kullanıcı, diğer kişilerin ya da diğer kişilere ait eşyaların başına gelebilecek yaralanma veya hasarlardan sorumludur.**

HAZIRLIK

- **Makine yağmurda ve ıslak koşullarda kullanılabilmelidir. İşinizi bitirdikten sonra makineyi kurutun.**
- **Kullanmadan önce, pilleri veya pil paketlerini hasarlara karşı kontrol edin.** Piller veya pil paketi hasar görmüşse, cihazı kullanmayın.

ÇALIŞTIRMA

- **Makine yağmurda ve ıslak koşullarda kullanılabilmelidir. İşinizi bitirdikten sonra makineyi kurutun.**
- **Aşağıdaki durumlarda pilleri veya pil paketini çıkarın:**
 1. Makinenin yanından ayrıldığınızda;
 2. Bir tıkanıklığı gidermeden önce;
 3. Makineyi kontrol etmeden, temizlemeden veya üzerinde bir çalışma yürütmeden önce;
 4. Cihaz anormal biçimde titreşim yapmaya başlarsa.
- **Eğimli alanlarda bastığınız yerlerin sağlam olduğundan emin olun.**
- **Yürüyün, asla koşmayın.**
- **Tüm soğutma hava girişlerini temiz tutun.**
- **Makineyi sadece günün uygun saatlerinde çalıştırın** - insanları rahatsız edecek saatlerde (sabah erken veya gece geç saatler) çalıştırmayın.
- **Tozlu çalışma koşullarında yüzeyleri hafifçe nemlendirin veya nemlendirici aksesuarı kullanın.**

⚠ UYARI: Döner parça tehlikesi!

- **Hava akımının yere yakın şekilde çıkması için tam makine başlığı uzatma parçasını kullanın.**
- **Makineyi açık pencere vb. yakınında çalıştırmayın.**

BAKIM VE SAKLAMA

- **Cihazın güvenli biçimde çalışması için tüm somun, vida ve civataların sıkı durumda olmasını sağlayın.**
- **Aşınmış veya hasarlı parçaları değiştirin.**
- **Sadece orijinal yedek parça ve aksesuarları kullanın.**
- **Cihazı mutlaka kuru bir yerde saklayın.**

⚠ UYARI: Yangın tehlikesini, elektrik çarpmasını veya yaralanmayı önlemek için:

ÖNEMLİ

KULLANMADAN ÖNCE DİKKATLE OKUYUN.

GELECEKTE BAŞVURU AMACIYLA SAKLAYIN.

- Makinenin oyuncak olarak kullanılmasına izin vermeyin. Bu cihaz çocuklar tarafından veya çocukların yakınında kullanılırken dikkatli olun.
- Makine olması gerektiği gibi çalışmıyorsa düşürüldüyse hasar gördüyse veya suya düşüyse bir servis merkezine götürün.
- Hiçbir deliğe herhangi bir cisim sokmayın. Herhangi bir havalandırma deliği tıkanmışsa kullanmayın; havalandırma deliklerinin toz, tiftik, saç vb. tarafından tıkanmamasını sağlayın.
- Merdivenleri temizlerken özellikle dikkat edin.
- Akü fişi takılıken makineyi gözetimsiz bırakmayın. Makine kullanılmadığında ve bakım yapmadan önce aküyü çıkarın.
- Şarj cihazına, fişe ve şarj kutuplarına ıslak elle dokunmayın.
- Bataryayı açık havada şarj etmeyin.

⚠ UYARI:

- Cihazı hurdaya ayırmadan önce batarya cihazdan çıkarılmalıdır.
- Batarya güvenli bir şekilde bertaraf edilmelidir.

- Tıkanıklıkları gidermeyi denemeden önce **MUTLAKA** pili çıkarın.
- **Makineyi ve tutma kolunu kuru, temiz ve yağdan ve gresten arındırılmış halde tutun.** Temizlik yaparken daima temiz bir bez kullanın. Makineyi temizlemek için asla fren hidroliği, benzin, petrol bazlı ürünler veya güçlü çözücüler kullanmayın. Bu kurala uyulması kontrol kaybını ve plastik gövde kısımlarının bozulma riskini azaltır.
- **Piller, pilot alevi gibi herhangi bir kıvılcım sonucu patlayabilir.** Ciddi kişisel yaralanma riskini azaltmak için, asla kablosuz bir ürünü açık alev bulunan bir yerde kullanmayın. Patlayan bir pil etrafa küçük parça ve kimyasal madde saçabilir. Bunlara maruz kalınması halinde derhal su ile yıkayın.
- **Bu makineyi asla uygun aksesuarlar takılı değilken çalıştırmayın.** Daima makine borusunun takılı olduğundan emin olun.
- **Makineyi asla yangınların veya sıcak küllerin yakınında kullanmayın.** Ateş veya küllerin yakınında kullanılması ateşin yayılmasına yol açarak ciddi yaralanma ve/veya mal hasarına neden olabilir.

- **Makineyi asla kimyasal maddeleri, gübrelere veya diğer zehirli maddeleri püskürtmek için kullanmayın.** Bu maddelerin püskürtülmesi durumunda operatör ve/veya üçüncü şahıslarda ciddi kişisel yaralanmalar meydana gelebilir.
- **Bu talimatları saklayın.** Talimatlara sık sık müracaat edin ve bu makineyi kullanacak diğer kişileri bilgilendirmek için kullanın. Bu makineyi başka birine ödünç verirsiniz ürünün hatalı kullanılmasını ve olası yaralanmaları önlemek için bu talimatları da ürünle birlikte verin.

BU TALİMATLARI SAKLAYIN!

Nominal Voltaj	56 V ---	
Üfleyici	Maksimum Hava Hacmi	850 m ³ /sa.
	Maksimum Hava Hızı	64 m/sn. (sadece üfleyici borusu ile) 93 m/sn. (konik uçla birlikte)
	Maksimum Üfleme Kuvveti	15 N
Yaprak Torbası Kapasitesi	40 litre	
Maks. Parçalama Oranı	16 : 1	
Ağırlık (akü takımı ve uç hariç)	5,8 kg (emiş) 4,2 kg (üfleyici)	
Önerilen Çalışma Sıcaklığı	-15°C-40°C	
Önerilen Depolama Sıcaklığı	-20°C-70°C	
Önerilen Şarj Sıcaklığı	5°C-40°C	
Ölçülen ses gücü düzeyi L _{WA}	100 dB(A) K=1,9 dB(A)	
Çalışma pozisyonundaki ses gücü seviyesi L _{PA}	88 dB(A) K=3 dB(A)	
Garanti edilen ses gücü seviyesi L _{WA} (2000/14/EC uyarınca)	102 dB(A)	
Titreşim a _n	Maks. 1,80 m/sn. ² K=1,5 m/sn. ²	

TR

- Beyan edilen toplam titreşim değeri standart bir test yöntemine göre ölçülmüştür ve bir ürünü diğeri ile karşılaştırmak için kullanılabilir.
- Beyan edilen toplam titreşim değeri, maruz kalma seviyesinin ilk değerlendirmesi için de kullanılabilir.

DİKKAT: Elektrikli aletin fiili kullanımı sırasında oluşan titreşim emisyonu değeri aletin kullanım şekline bağlı olarak beyan edilen değerden farklı olabilir. Operatör korunmak için fiili kullanım koşullarında eldiven ve kulak koruması takmalıdır.

AMBALAJ İÇERİĞİ (ŞEK. A1)

AÇIKLAMA

YAPRAK SÜPÜRGENİZİ TANIYIN (Şek. A1)

1. Emiş Ucu
2. Emiş Borusu
3. Emiş Tertibatı için Taşıma Kolu
4. Hava Girişi Izgarası
5. Ön Tutma Sapı
6. Akü Çıkarma Düğmesi
7. Hız/Kilit Kadranı
8. Omuz Askısı Kancası
9. Ana Tutma Kolu
10. Hava Hızı Tetiği
11. Yaprak Torbası
12. Omuz Askısı
13. Elektrik Kontakları
14. Mandal
15. Üfleyci Borusu
16. Konik Uç

TR

MONTAJ

⚠ UYARI: Hasarlı veya eksik parça varsa bu parçaları değiştirilinceye kadar ürünü çalıştırmayın. Bu ürünün hasarlı veya eksik parçaları ile kullanılması ciddi yaralanmalara yol açabilir.

⚠ UYARI: Bu ürün üzerinde değişiklik yapmaya veya bu ürünle kullanılması önerilmeyen aksesuarlar oluşturmaya çalışmayın. Bu tür değişiklikler veya modifikasyonlar hatalı kullanımdır ve ciddi yaralanmalara neden olabilen tehlikeli bir duruma sebep olabilir.

⚠ UYARI: Ciddi yaralanmalara neden olabilen yanlışlıkla çalışmayı önlemek için parçaları monte ederken aküyü mutlaka makineden çıkarın.

DİKKAT: Üfleyci borusu veya emiş tertibatı ve yaprak torbası tamamen ve doğru bir şekilde monte edilene kadar makine çalıştırılmaz.

ÜFLEYİCİ BORUSUNUN TAKILMASI/ÇIKARILMASI

Takmak için (Şek. B1 ve B2)

Oluğu hizalayın ve üfleyci borusu kilit kolu mandal ile kilitlene kadar boruyu üfleyci gövdesine doğru itin.

B-1	Üfleyci Borusu Kilit Kolu
-----	---------------------------

Çıkarmak için (Şek. B3)

Mandalı açmak için üfleyci kilit kolunu itin ve ardından boruyu çıkarın.

KONİK ÜFLEYİCİ UCUNUN TAKILMASI/ÇIKARILMASI

Takmak için (Şek. C1 ve C2)

Konik uçtaki oluk ile burudaki sıkma düğmesini hizalayın ve yerine oturuncaya kadar ucu boru üzerine itin.

Çıkarmak için (Şek. C3)

Uç çıkarma düğmesini basılı tutarak mandalı boşa alın, ardından ucu üfleyci burudan çekip çıkarın.

EMİŞ TERTİBATININ MONTAJI/ÇIKARILMASI

Emiş Ucunun Montajı İçin (Şek. D)

DİKKAT: Süpürge ucu ve süpürge borusu ilk kez bağlandığında, ayınlamayan tek bir süpürge düzeneği haline gelirler.

Oluğu hizalayın ve emiş ucu kilitleme düğmesi yerine kilitlene kadar ucu emiş borunun üzerine bastırın.

Emiş Tertibatını Monte Etmek İçin

1. Hava giriş izgarasını serbest bırakmak için emiş borusu kilit kolunu bastırın ve ardından izgarayı açın (Şek. E1 ve E2).

E-1	Emiş Borusu Kilit Kolu
-----	------------------------

2. Tertibatı kavramak için emiş tertibatındaki iki yükseltilmiş kare köşeyi, şekil E3'te gösterildiği gibi hava girişindeki iki girintili kare olukla hizalayın.
3. Emiş borusu kilit kolu kilitlene kadar emiş tertibatını hava girişine doğru bastırın (Şek. E4).

- Hava girişi izgarasını, vakum tertibatına doğru bastırın (Şek. E5).

Yaprak Torbasının Montajı İçin (Şek. F)

- Oluşu hizalayın ve yaprak torbası kilit kolu mandal ile kilitlemeye kadar yaprak torbası konektörünü emiş muhafazasına itin.

F-1	Yaprak Torbası Konektörü	F-3	Yaprak Torbası Kayışı
F-2	Yaprak Torbası Kilit Kolu		

- Yaprak torbası kayışını şek. F'de gösterildiği gibi vakum tertibatındaki kancaya asın.

Yaprak Torbasını Çıkarmak ve Boşaltmak İçin (Şek. G 1)

- Vakum tertibatındaki kancadan yaprak torbası kayışını çıkarın.
- Mandalı açmak için yaprak torbası kilit kolunu itin ve ardından torbayı çıkarın.
- Yaprak torbasını boşaltmak için fermuarı açın.

G-1	Fermuar
-----	---------

Emiş Tertibatını Sökmek için (Şek. G2 ve G3)

- Borunun kilidini açmak için emiş borusu kilit kolunu itin.
- Emiş tertibatını çıkarın.
- Kilit kolu kavrayana kadar hava girişi izgarasını hava girişine doğru bastırın.

OMUZ ASKISININ TAKILMASI (Şek. H)

Açmak için kayış karabinalarını bastırın ve makinenin her iki ucundaki omuz askısı askılara takın.

Askıyı çıkarmak için iki yöntem vardır. Doğrudan omzunuzdan çıkarın veya karabinalardan birine bastırın ve omuz askısını, omuz askısı kancasından ayırın.

UYARI: Askıyı takarken, başka hiçbir giysi askının açılmasını ve çıkarılmasını engellemelidir.

UYARI: Acil bir durum olursa askıyı hangi şekilde takılı olursa olsun derhal omzunuzdan çıkarın.

UYARI: Tek omuz askısını ve çift omuz askısını aynı anda kullanmamalısınız.

UYARI: Omuz askısı ve BH1000 EGO sırt çantası bağlantısını aynı anda kullanmayın. Bu, makinenin hızlı acil serbest bırakılmasını önleyerek yaralanmaya neden olur.

ÇALIŞTIRMA

UYARI: Bu ürüne karşı edindiğiniz alışkanlığın sizi dikkatsiz yapmasına izin vermeyin. Bir anlık dikkatsizliğiniz ciddi yaralanmalara sebep olabileceğini unutmayın.

UYARI: Daima yan siperleri olan göz koruması ve kulak koruması kullanın. Aksi halde gözlerinize nesnelere fırlayabilir ve başka ciddi yaralanmalar oluşabilir.

UYARI: Yanlışlıkla çalışarak ciddi yaralanmalara neden olmasını önlemek için parçaları monte ederken, ayar yaparken, temizlikten önce ve ürün kullanımda değilken daima aküyü aletten çıkarın.

UYARI: Bu ürünün üreticisi tarafından önerilmeyen herhangi bir aparatı veya aksesuarı kullanmayın. Tavsiye edilmeyen aksesuarların veya aparatların kullanımı ciddi yaralanmalara sebep olabilir.

Her kullanımdan önce ürünü inceleyerek vida, somun, civata, kapak gibi parçaların hasarlı, eksik veya gevşek olup olmadığını kontrol edin. Tüm bağlantı parçalarını ve kapakları sağlam bir şekilde sıkın ve bu ürünü eksik veya hasarlı parçaların hepsini değiştirmeden çalıştırmayın.

KULLANIM ALANLARI

Bu ürünü aşağıda belirtilen amaçlar için kullanabilirsiniz:

- Yaprakları, kırılmış çimleri ve diğer kalıntıları toplamak.
- Araba yolları ve kaldırımlar gibi sert yüzeylerin temizlenmesi.
- Verandaların ve araba yollarının yapraklardan temizlenmesi.

DİKKAT: Bu makine sadece belirtilen kullanım amaçlarına uygun kullanılmalıdır. Diğer kullanım şekilleri hatalı kullanım olarak kabul edilir.

AKÜYÜ TAKMA/ÇIKARMA

Sadece Şek. A2'de listelenen EGO marka aküleri ve şarj cihazlarını kullanın.

NOT: İlk kullanımdan önce aküyü tamamen şarj edin.

Takmak İçin

Akü dişleri ile montaj yuvalarını hizalayın ve bir "tık" sesi duyana kadar aküyü bastırın (Şek. I1).

Çıkarmak için (Şek. I2)

Akü çıkarma düğmesine basın ve aküyü çekip çıkarın (Şek. I2).

⚠ UYARI: Akü çıkarma düğmesine basarken daima ayaklarınızın durduğu yere, çocuklara veya evcil hayvanlara dikkat edin. Akü düşerse ciddi yaralanmaya neden olabilir. ASLA aküyü yüksek bir yerden çıkarmayın.

MAKİNEYİ ÇALIŞTIRMA/DURDURMA

Sadece Hava Hızı Tetiği

1. Makineyi açmak için hava hızı tetiğine basın.
2. Makinenin hava hızı, değişken hız tetiği ile kontrol edilir. Tetiğe daha fazla basıldığında hava hızı artar; tetiğe daha az basıldığında hava hızı azalır. Yapacağınız işe uygun şekilde hızı ayarlayın.
3. Makineyi kapatmak için hava hızı tetiğini serbest bırakın.

Sadece Hız/Kilit Kadranı

Makine, hız/kilit kadranıyla istenilen hıza kilitlenebilir.

1. Makineyi çalıştırmak için hız/kilitleme kadranını yakındaki omuz askısı kancasına doğru çevirin. Kadran maksimum hıza (MAX) ulaşana kadar döndürüldükçe hava hızı artar.
2. Hava hızını azaltmak için hız/kilitleme kadranını karşı tarafa doğru çevirin.
3. Makineyi durdurmak için hız/kilit kadranını kapalı konuma (O) kadar çevirmeye devam edin.

DİKKAT: Batarya çıkarılmadan önce hız/kilit kadranı kapalı konuma getirilmezse tamamen şarj edilmiş bir batarya takıldığında üfleyci çalışmaz. Bu, yanlışlıkla çalıştırmaları önlemeye yardımcı bir koruma özelliğidir. Korumayı devre dışı bırakmak için hava hızı tetiğine bastırın ve üfleyciyi çalıştırın.

ÜFLEYİCİNİN KULLANILMASI İLE İLGİLİ İPUÇLARI (Şek. K)

Makineyi üfleyci olarak kullanmak için vakum tertibatını kurmak amacıyla **MONTAJ** bölümündeki talimatları uygulayın.

- Birikintilerin etrafa saçılmasını önlemek için birikintilerin dış kenarlarına üfleme yapın. Asla doğrudan birikintinin ortasına doğrudan üfleme yapın.
- Ses seviyesini azaltmak için bir defada kullanılan elektrikli alet parçalarının sayısını sınırlı tutun.
- Üfleme öncesinde birikintileri gevşetmek için tırmık ve süpürge kullanın. Tozlu koşullarda, varsa suyla yüzeyleri hafifçe nemlendirin.

- Oluklar, elekler, teraslar, ızgaralar ve bahçeler gibi alanları içeren bir çok çim biçme ve bahçe uygulamaları için hortum yerine elektrikli üfleycileri kullanarak sudan tasarruf edin.
- Çocuklara, evcil hayvanlara, açık pencere veya yeni yıkanmış araçlara dikkat edin ve birikintileri güvenli biçimde uzağa üfleyin.
- Üfleycileri veya diğer cihazları kullandıktan sonra temizleyin! Birikintilerin uygun şekilde bertaraf edilmesini sağlayın.

EMİŞ KULLANIMI İÇİN İPUÇLARI (Şek. L)

Makineyi emiş için kullanmak amacıyla emiş tertibatını, yaprak torbasını ve omuz askısını takmak için **MONTAJ** bölümündeki talimatları izleyin.

- Yaprak torbasını sık sık aşınma veya bozulmalara karşı kontrol edin.
- Toz oluşmasını önlemek için, makineyi çalıştırmadan önce yaprak torbası fermuarını tamamen kapatın.
- Yaprak torbasını tam dolmadın boşaltın.
- Makineye su girmesini önlemek için makineyi yerden ıslak yaprakları toplamak için kullanın ancak havuzdan toplamak için kullanmayın.
- Plastik torbalara, kumaşlara ve kırılması kolay olmayan ve makinenin içine kolayca karışabilecek diğer nesnelere izin vermeyin.
- Büyük odun talaşları, metaller, cam, çakıl taşları vb. gibi sert malzemelerin makineye emilmesine izin vermeyin.

BAKIM

⚠ UYARI: Bakım yaparken sadece orijinal yedek parçaları kullanın. Diğer parçaların kullanılması tehlike oluşturabilir veya ürünün hasar görmesine neden olabilir. Emniyet ve güvenilirliği sağlamak için tüm tamir işleri yetkili bir servis teknisyeni tarafından yapılmalıdır.

⚠ UYARI: Ciddi yaralanmaları önlemek için temizlik veya bakım işlemi gerçekleştirirken daima aküyü üründen çıkarın.

GENEL BAKIM

Plastik parçaları temizlerken çözücü maddeler kullanmaktan kaçının. Çoğu plastik malzeme çeşitli ticari çözücü türlerinden etkilenmeye yatkındır ve bu çözücü maddelerin kullanılması durumunda zarar görebilirler. Kir, toz, yağ, gres vb. gidermek için temiz bez kullanın.

⚠ UYARI: Fren sıvıları, benzin, petrol bazlı ürünler, nüfuz eden yağlar gibi ürünlerin plastik parçalarla hiçbir zaman temas etmesine izin vermeyin. Kimyasal maddeler plastik parçalara hasar verebilir, bu tür parçaları zayıflatabilir veya parçalayabilir ve bu durum ciddi yaralanmalara neden olabilir.

DEPOLAMA

- Akü takımını makineden çıkarın.
- Makinenin hava deliklerindeki tüm yabancı maddeleri temizleyin.
- Üfleiyici çocukların ulaşamayacağı kapalı bir yerde saklayın. Bahçe kimyasalları ve eritici tuzlar gibi aşındırıcı maddelerden uzak tutun.

Çevre koruması



Elektrikli cihazları, kullanılmış aküyü ve şarj cihazını evsel atıklarla bertaraf etmeyin!

Bu ürünü yetkili bir geri dönüşüm merkezine götürün ve ayrı bir şekilde toplanmasını sağlayın. Elektrikli aletler çevreyle uyumlu bir geri dönüşüm tesisine götürülmelidir.

SORUN GİDERME

SORUN	NEDENİ	ÇÖZÜM
Yaprak emişi çalışmıyor.	<ul style="list-style-type: none">■ Yaprak emişi ve akü takımı arasında elektrik teması yok.■ Akü takımının şarjı boşalmıştır.■ Batarya veya üfleyici çok sıcaktır.■ Makine tam olarak monte edilmemiş.	<ul style="list-style-type: none">■ Aküyü çıkarın, temas noktalarını kontrol edin ve aküyü yeniden takın.■ Akü takımını şarj edin.■ Akü takımı ve yaprak emişini, sıcaklığı 67 °C'nin altına düşene kadar soğutun.■ Makineyi tamamen ve doğru bir şekilde monte etmek için Montaj bölümündeki talimatları izleyin.
Hava hızı önemli ölçüde azalıyor.	<ul style="list-style-type: none">■ Hava girişi birikintiler nedeniyle tıkanmıştır.■ Motor fanı aşırı yıpranmıştır.■ Yaprak torbasının içinde çok fazla kalıntı var.	<ul style="list-style-type: none">■ Bataryaları çıkarın ve kalıntıları temizleyin.■ Onarım için EGO servis merkeziyle irtibata geçin.■ MONTAJ bölümündeki Yaprak Torbasını Çıkarma ve Boşaltma talimatlarını izleyerek yaprak torbasını boşaltın.

GARANTİ

EGO GARANTİ POLİTİKASI

EGO Garanti Politikasına ilişkin tüm hükümler ve koşullar için lütfen egopowerplus.eu adresindeki web sitesini ziyaret edin.

LUGEGE KÕIKI JUHISEID!



LUGEGE KASUTUSJUHEIDIT

! HOIATUS! Turvalisuse ja vastupidavuse tagamiseks peab kõiki parandustöid läbi viima kvalifitseeritud hooldustehnik.

! HOIATUS! Enne käesoleva seadme kasutamist lugege kindlasti läbi ja tehke endale selgeks kõik kasutusjuhendis toodud ohutusjuhised, sh kõik ohutussümbolid, nagu „OHT,” „HOIATUS,” ja „ETTEVAATUST”. Kui allpool loetletud juhiseid ei järgita, võib tagajärjeks olla elektrilöökk, tulekahju ja/või rasked kehavigastused.

SÄILITAGE HOIATUSED JA JUHISED HILISEMAKS KASUTUSEKS.

OHUTUSSÜMBOLID

! HOIATUS! Mis tahes elektriliste tööriistade kasutamine võib põhjustada võõrkehade paiskumist silma, mis võib tekitada tõsiseid silmakahjustusi. Elektriliste tööriistade kasutamise ajal kandke alati kaitseprille või külgkaitsmetega kaitseprille ja vajadusel täielikku näokaitset. Soovitame kanda prillide peal laia vaatealaga kaitsemaski või standardseid külgkaitsmetega kaitseprille.



Ohutusteade



Selle toote kasutamisel kandke alati kuulmiskaitset ja kaitseprille.



Garanteeritud helivõimsuse tase. Seadme müra keskkonnas on Euroopa Ühenduse direktiiviga vastavuses.



Elektriseadmete jäätmeid ei tohi visata olmejäätmete hulka. Viige volitatud taaskäitleja juurde.



Alalisvool



Pinge



Millimeeter



Vigastusohu vähendamiseks peab kasutaja enne toote kasutamist lugema kasutusjuhendit ja selle endale selgeks tegema.



Ärge laske teistel isikutel tulla töötavale seadmele lähemale kui 15 meetrit.



Toode vastab kohaldatavatele EÜ direktiividele.



Toode vastab kohaldatavatele Ühendkuningriigi õigusaktidele.



Kaitse pritsmevee eest



Minutis



Tühikäigu kiirus

ET

SEADME ÜLDISED OHUTUSHOIATUSED

▲ HOIATUS! LUGEGE LÄBI KÕIK SEADMEGA KAASAS OLEVAD HOIATUSED, JUHISED, JOONISED JA ANDMED. Alltoodud juhiste eiramine võib põhjustada elektrilööki, tulekahju ja/või tõsisaid vigastusi.

SÄILITAGE HOIATUSED JA JUHISED HILISEMAKS KASUTUSEKS.

Hoiatustes olev mõiste „masin“ viitab teie vooluvõrguga juhitavale (juhtmega) masinale või akutoitega (juhtmeta) masinale.

TÖÖPIIRKONNA OHUTUS

- Tööpiirkond peab olema puhas ja hästi valgustatud. Täis kuhjatud või valgustamata tööpiirkonnad võivad põhjustada õnnetusi.
- Ärge kasutage masinaid plahvatusohtlikus keskkonnas, kus leidub nt tuleohtlikke vedelikke, gaase või tolmu. Masinad tekitavad sädemeid, mis võivad süüdata tolmu või aurusid.
- Elektritööriistadega töötamisel hoidke lapsed ja kõrvalised isikud eemal. Tähelepanu hajumisel võite kaotada kontrolli seadme üle.

ELEKTRILINE OHUTUS

- Elektritööriistad tuleb ühendada sobivasse pistikupesussa. Ärge kunagi modifitseerige pistikut mitte mingil viisil. Ärge kasutage pistikuadaptoreid koos maandatud masinatega. Modifitseerimata pistikud ja sobivad pistikupesad vähendavad elektrilöögi ohtu.
- Vältige kehalist kontakti maandatud pindadega (nt torud, radiaatorid, katted, külmikud). Kui teie keha on maandatud, suureneb elektrilöögi oht.
- Ärge jätke masinaid vihma kätte ega märgadesse tingimustesse. Masinasse sisenev vesi suurendab elektrilöögi ohtu.
- Ärge kahjustage juhet. Ärge kasutage juhet laadija kandmiseks või tõmbamiseks ja ärge tõmmake juhtmest, kui soovite pistikut pistikupesast eemaldada. Vältige juhtme kokkupuudet kuumade esemete, õli, teravate servade või liikuvate osadega. Kahjustatud või puntras juhe suurendab elektrilöögi ohtu.
- Elektritööriistaga välitingimustes töötamiseks kasutage välitingimustes sobivat pikendusjuhet. Välitingimustesse sobiva juhtme kasutamine vähendab elektrilöögi ohtu.

ET

- Kui peate kindlasti seadet märjas kohas kasutama, kasutage teitealikat, millel on rikkevoolukaitselülitid. Selle reegli järgimine vähendab elektrilöögi ohtu.

ISIKLIK OHUTUS

- Olge tähelepanelik, töötage hoolikalt ja kasutage tervet mõistust. Ärge kasutage elektritööriista, kui olete väsinud, või rohtude, alkoholi või narkootikumide mõju all. Isegi hetkeline tähelepanematus masina kasutamise ajal võib põhjustada tõsisid vigastusi.
- Kasutage isikukaitsevahendeid. Kandke alati silmakaitsevahendeid. Töötingimustele vastava kaitsevarustuse (nt tolumumaski, mittelibisevate turvajalanõude, kiivri või kuulmiskaitsevahendite) kasutamine vähendab kehavigastuste ohtu.
- Vältige seadme tahtmatut käivitamist. Enne tööriista vooluvõrgu ja/või akuplokiga ühendamist ning enne tööriista kandmist või üles tõstmist veenduge, et lülitid on mitteaktiivses asendis. Seadmete kandmine sõrme lülitil hoides või aktiivses olekus lülitiga põhjustab õnnetusi.
- Enne tööriista sisselülitamist eemaldage sellelt kõik reguleerimis- ja nutrivõtmed. Elektritööriista pöörleva osa külge unustatud võtmed vms tööriistad võivad põhjustada kehavigastusi.
- Ärge küünitage liiga kaugele. Töötage ainult kindlal pinnal ja kohtades, kus pole ohtu tasakaalu kaotada. Nii säilitate ootamatutes olukordades elektritööriista üle parema kontrolli.
- Riietuge asjakohaselt. Ärge kandke avaraid rõivaid ega ehteid. Vältige oma juuste ja riiete kokkupuudet liikuvate osadega. Avarad rõivad, ehted ja pikad juuksed võivad liikuvate osade vahele kinni jääda.
- Kui tootega on kaasas vahendid tolmuärastus- ja kogumisseadmete ühendamiseks, siis veenduge, et need seadmed on korralikult ühendatud ja asjakohases kasutuses. Tolmukogumisseadmete kasutamine vähendab tolmuaga seotud ohtusid.
- Isegi kui seade on teile sagedase kasutamise tulemusel harjumuspäraseks saanud, ärge laske ennast lõdvaks ega ignoreerige tööriista kasutamise ohutusreegleid. Hooletuse tõttu võite saada tõsisid vigastusi ka sekundi murdosa jooksul.

MASINA KASUTAMINE JA HOOLDUS

- Ärge avaldage seadmele jõudu. Kasutage konkreetseks tööks sobivat elektritööriista. Sobiva elektritööriistaga sobival kiirusel töötades saate töö tehtud kiiresti ja ohutult.

- **Ärge kasutage seadet, mida ei saa lülitist sisse ega välja lülitada.** Tööriist, mille lülitit ei tööta, on ohtlik ja tuleb parandada.
- **Eemaldage juhe vooluvõrgust ja/või akuplokk seadme küljest enne seadme reguleerimist, lisakomponentide lisamist või eemaldamist ja enne seadme hoistamist.** Selliste ohutusmeetmete rakendamisel vähendate elektritööriista tahtmatu käivitamise ohtu.
- **Hoidke seisvat seadet lastele kättesaamatus kohas ja ärge lubage seadet kasutada isikutel, kes ei tunne seadet ega neid juhiseid.** Seadmed on väljaõppeta isikute käes ohtlikud.
- **Hooldage nii elektritööriistu kui tarvikuid.** Kontrollige, kas komponendid on korrektselt joondatud ja ega ükski osa paindunud pole ning jälgige ka muid aspekte, mis võiksid masina omadusi mõjutada. Kui see on kahjustatud, laske masin enne kasutamist parandada. Paljude õnnetuste põhjuseks on kehvasti hooldatud masinad.
- **Hoidke löiketööriista teravad ja puhtad.** Korralikult hooldatud ja teravate servadega löiketööriista ei kiilu nii kergesti kinni ja on lihtsamini kontrollitavad.
- **Kasutage seadet, selle tarvikuid, tööriistaosi jm vastavalt käesolevale juhendile, võttes arvesse töötingimusi ja teostatavat tööd.** Masina mittesihipärane kasutamine võib põhjustada ohtlikke olukordi.
- **Hoidke käepidemed ja haardepinnad kuivad ja puhtad ning vältige neile õli ja rasva sattumist.** Libedad käepidemed ja haardepinnad takistavad seadme ohutut kasutamist ning ootamatutes olukordades käsitsemist.
- **AKUSEADME KASUTAMINE JA HOOLDUS**
- **Kasutage laadimiseks ainult tootja poolt ette nähtud laadureid.** Akulaadija, mis sobib teatud tüüpi akuplokkile, võib põhjustada tulekahju ohtu, kui kasutada seda mõne teise akuplokkiga.
- **Kasutage seadmeid ainult nende jaoks ette nähtud akuplokkidega.** Mõne muu akuploki kasutamine võib põhjustada vigastuste ja tulekahju ohtu.
- **Kui akut ei kasutata, hoidke seda eemal muudest metallesemetest nagu kirjaklambrid, mündid, võtmed, naelad, kruvid ja muud väikesed metallesemed, mis võivad klemmide vahel ühenduse luua.** Akuklemmide lühiühendus võib põhjustada põletushaavu ja tulekahju ohtu.
- **Valedes tingimustes kasutamisel võib akust vedelikku välja tulla; vältige kokkupuudet sellega.** Kokkupuute korral loputage rohke veega. Kui

vedelik satub silma, pöörduge lisaks ka arsti poole. Akust erituv vedelik võib põhjustada ärritust või põletusi.

- **Ärge kasutage kahjustunud või modifitseeritud akuplokki või tööriista.** Kahjustunud või modifitseeritud akut võivad toimida ettearvamatult, mille tagajärjeks võib olla tulekahju, plahvatus või vigastuste oht.
- **Vältige akuploki või tööriista kokkupuudet tule või liiga kõrge temperatuuriga.** Kokkupuude lahtise tule või temperatuuriga üle 130 °C võib põhjustada plahvatus.
- **Järgige kõiki laadimisjuhiseid ja ärge laadige akuplokki või tööriista vale temperatuuri juures (vt juhiseid).** Valesi või valel temperatuuril laadimine võib kahjustada akut ja suurendada tulekahjuohtu.

TEENINDUS

- **Laske oma tööriista hooldada kvalifitseeritud remonditehnikul, kes kasutab ainult identseid originaalvaruosi.** See tagab tööriista ohutuse.
- **Ärge kunagi hooldage kahjustunud akuplokke.** Akuplokkide hooldust võib teostada ainult tootja või volitatud teeninduskeskus.

PUHURI/MURI OHUTUSHOIATUSED

- **Vältige seadme kasutamist halva ilmaga, eriti äikeseehu korral.** Niiviisi vähendate pikselöögi saamise ohtu.
- **Kontrollige regulaarselt, et prahikoguja poleks kulunud ega kahjustatud.** Kulunud või kahjustatud prahikoguja võib suurendada vigastuste ohtu.
- **Kandke alati silma- ja kuulmiskaitsevahendeid.** Asjakohane kaitsevarustus vähendab isikuvigastuste ohtu.
- **Seadme kasutamisel kandke alati libisemiskindlaid turvajalanõusid.** Ärge kasutage tööriista paljajalu ega kandke sandaale. See vähendab jalgade vigastamise ohtu.
- **Ärge kandke avaraid rõivaid või esemeid (nt sallid, paelad, ketid, lipsud jne, mis võiksid ventilatsioonivadesse sattuda.** Pikad juuksed siduge kinni või katke nii, et need ei satuks ventilatsioonivadesse. Kui mõni neist esemetest tõmmatakse ventilatsioonivadesse, võib see suurendada vigastuste ohtu.
- **Tööriistaga töötamisel hoidke kõrvalised isikud eemal.** Seadmest eemale paiskuv praht võib suurendada vigastuste ohtu.
- **Ärge kasutage imurirežiimis, kui prahikoguja pole paigas.** Seadmest eemale paiskuvad esemed võivad suurendada vigastuste ohtu.

ET

- Ärge kunagi suunake puhuri otsakut inimeste, lemmikloomade või akende suunas. Olge eriti ettevaatlik, kui puhute prahti kõvade objektide, näiteks puude, autode ja seinte läheduses, mis võivad põhjustada prahi tagasipaiskumist kasutaja suunas. Seadmest eemal paiskuvad esemed võivad kahjustada vara ja suurendada vigastuste ohtu.
- Ärge kasutage seadet põlevate või suitsevate esemete (nt sigarettide, tikkude või kuumat tuha) üleskorjamiseks või puhumiseks. Need süüteallikad võivad suurendada tulekahju ohtu.
- Ärge imege imuriga vett ega muid vedelikke ega kastke ühtegi seadme osa vedelikku. Seadmesse sattuv vesi võib suurendada elektrilöögi ohtu.
- Ärge imege imuriga kive, kruusa, metalli ega klaasikilde. Ventilatoori ratas võib kahjustuda ja suurendada kehavigastuste ohtu.
- Ärge puudutage ventilatorit, kui see veel liigub. Lülitage seade välja ja oodake, kuni ventilator peatub. Alles seejärel võib eemaldada osi, mis võivad tekitada ligipääsu ventilatorile. See vähendab liikuvatest osadest tingitud vigastuste ohtu.
- Enne ummistunud materjali eemaldamist või seadme hooldamist kontrollige, et toitelüliti on välja lülitatud. Seadme ootamatu käivitumine kinnikiilunud materjali eemaldamisel või seadme hooldamisel võib tekitada raskeid vigastusi.

ENNE SELLE TOOTE KASUTAMIST LUGEGE LÄBI KOGU KASUTUS-JUHEND!

KOOLITUS

- Ärge lubage seadet kasutada lastel, vähenenud vaimsete, sensoorsete või füüsiliste võimetega isikutel ega isikutel, kellel puuduvad vajalikud teadmised ja kogemus või kes pole tutvunud kasutusjuhendiga.
- Seadme kasutaja vastutab teiste inimeste või nende varaga juhtuvate õnnetuste eest.

ETTEVALMISTUS

- Masinat võib kasutada vihma käes või niisketes tingimustes. Kuivatage masin pärast töö lõpetamist.
- Enne töö alustamist veenduge, et akud või akuplokkid pole kahjustatud. Ärge kasutage seadet, kui akud või akuplokk on kahjustatud.

KASUTAMINE

- Masinat võib kasutada vihma käes või niisketes tingimustes. Kuivatage masin pärast töö lõpetamist.
- Ühendage akud või akuplokkid lahti:
 1. kui lahkude seadme juurest;
 2. enne ummistuse eemaldamist;
 3. enne seadme kontrollimist, puhastamist või seadistamist;
 4. kui seade hakkab ebanormaalselt vibreerima.
- Kallakutel jälgige jalgealust eriti tähelepanelikult.
- Kõndige, ärge jookske.
- Hoidke kõik jahutusavad puhtad.
- Kasutage seadet ainult päeval ajal ja vältige töötamist varahommikul ja hilja õhtul, kui võite teisi inimesi häirida.
- Tolmuste alade puhul on soovitatav enne seadme kasutamist maapinda veidi niisutada või kasutada niisutavat lisaseadet.

⚠ HOIATUS! Pöörlevate osade oht!

- Kasutage seadme täispikkuses otsakut, et õhuvool jõuaks maapinna lähedale.
- Ärge kasutage seadet avatud akende vmt lähedal.

HOOLDUS JA HOIUSTAMINE

- Ohutuse huvides kontrollige regulaarselt, et kõik mutrid, poldid ja kruvid oleksid kinni.
- Vahetage kulunud või kahjustatud osad välja.
- Kasutage ainult originaaltarvikuid ja -varuosi.
- Hoiustage seadet ainult kuivas kohas.

⚠ HOIATUS! Tulekahju-, elektrilöögi- või kehavigastuste ohtu vähendamiseks:

OLULINE

ENNE KASUTAMIST LUGEGE TÄHELEPANELIKULT.

HOIDKE EDASISEKS KASUTAMISEKS ALLES.

- Ärge lubage seadet mänguasjana kasutada. Kui kasutate tööriista laste lähedal või lasete seda kasutada lastel, olge väga tähelepanelik.
- Kui seade ei tööta nii nagu peab või kui see on maha kukkunud, kahjustatud või vette kukkunud, viige see hoolduskeskusesse.
- Ärge paigutage midagi seadme avadesse. Ärge kasutage seadet, kui mõni selle ava on

ummistunud; jälgige, et tolm, ebemed, juuksekarvad või muud esemed ei takista seadme õhuvoolu.

- Treppide puhastamisel olge eriti ettevaatlik.
- Ärge jätke seadet järelevalveta, kui aku on sellega ühendatud. Eemaldage aku, kui seadet ei kasutata või enne selle hooldama hakkamist.
- Ärge puudutage laadijat, laadija pistikut ega laadija klemme märgade kätega.
- Ärge laadige akuplokki välitingimustes.

⚠ HOIATUS!

- Akuplokk tuleb seadmelt enne selle käitlemist eemaldada.

- Aku käitlemisel tuleb järgida ohutusreegleid.

- **ÄRGE** üritage likvideerida ummistust enne, kui olete eemaldanud seadme aku.
- **Hoidke seade ja selle käepide kuivad, puhtad ning vältige õli ja rasva sattumist seadmele.** Puhastamisel kasutage alati puhast lappi. Ärge kasutage seadme puhastamiseks kunagi piduriõli, bensini, naftapõhiseid tooteid ega teisi tugevatoimelisi lahusteid. Selle reegli järgimisega vähendate seadme üle kontrolli kaotamise ohtu ning plastosade lagunemist.
- **Akad võivad süüteallika, nt valvepöleti läheduses plahvatada.** Tõsiste kehavigastuste ohu vähendamiseks ärge kunagi kasutage juhtmeta seadet lahtise leegi läheduses. Plahvatav aku võib paisata enda ümber prahti ja kemikaale. Kokkupuute korral loputage mõjutatud kohta viivitamatult rohke veega.
- **Ärge kasutage seadet ilma nõuetekohase lisavarustuseta.** Veenduge alati, et seadme toru on paigaldatud.
- **Ärge kunagi kasutage seadet tule või kuuma tuha läheduses.** Seadme kasutamisel tule või kuuma söe läheduses võib tuli levida ja põhjustada raskeid vigastusi ja/või varalisi kahjusid.
- **Ärge kasutage seadet kemikaalide, väetiste või muude toksiliste ainete laiali ajamiseks.** Nende ainete laialiajamine võib põhjustada raskeid vigastusi seadme kasutajale või kõrvalistele isikutele.
- **Hoidke see kasutusjuhend alles.** Lugege juhendit sageli ning kasutage seda masinat kasutavate isikute väljaõpetamiseks. Kui te masina kellelegi laenate, andke sellega kaasa ka käesolev kasutusjuhend, et vältida toote väärkasutamist ja võimalikke vigastusi.

HOIDKE SEE KASUTUSJUHE ALLES!

TEHNILISED ANDMED

Nimipinge		56 V ---
Puhur	Maksimaalne õhumaht	850 m ³ /h
	Maksimaalne õhukiirus	64 m/s (ainult puhuritoruga) 93 m/s (koonusotsakuga)
	Maksimaalne puhumisjõud	15 N
Lehekoti maht		40 liitrit
Max Purustusmäär		16 : 1
Kaal (ilma akuploki ja otsakuta)		5,8 kg (vvaakum) 4,2 kg (puhur)
Soovituslik töokeskkonna temperatuur		-15 °C kuni 40 °C
Soovituslik hoiustamise temperatuur		-20 °C kuni 70 °C
Soovitav laadimistemperatuur		5 °C kuni 40 °C
Möödetud helirõhu tase L _{WA}		100 dB(A) K=1,9 dB(A)
Helirõhk seadme tööasendis L _{PA}		88 dB(A) K=3 dB(A)
Garanteeritud helivõimsuse tase L _{WA} (2000/14/EÜ kohaselt)		102 dB(A)
Vibratsioon a _h		Max. 1.86 m/s ² K=1,5 m/s ²

- Esitatud vibratsioonitaseme näit on möödetud standardsete testmeetodite kohaselt ja seda võib kasutada erinevate tööriistade võrdlemiseks.
- Esitatud vibratsioonitaseme näitu võib kasutada ka algse kokkupuutehinnangu andmiseks.

MÄRKUS. Tegelikul kasutamisel tekkinud vibratsioonitase võib esitatust erineda; turvalisuse eesmärgil peaks seadme kasutaja tegelikes kasutustingimustes kandma kindaid ja kuulmiskaitsmeid.

ET

PAKENDI LOEND (JOON. A1)

KIRJELDUS

TUTVUGE OMA LEHEPUHURIGA (joonis A1)

1. Vaakumotsak
2. Vaakumtoru
3. Kandekäepide imuri kokkupaneuks
4. Õhu sisselaskevõre
5. Eesmine käepide
6. Akuvabastusnupp
7. Kiiruse valimise/lukustamise nupp
8. Õlarihma kinnitus
9. Põhikäepide
10. Puhumiskiiruse päästik
11. Lehekott
12. Õlarihm
13. Klemmid
14. Lukusti
15. Puhuritoru
16. Koonusotsak

KOKKUPANEK

⚠ HOIATUS! Kui mõni osa on kahjustatud või puudub, ärge kasutage toodet enne, kui see osa on asendatud. Kui kasutate kahjustatud või vajalike komponentideta seadet, võite saada raskeid vigastusi.

⚠ HOIATUS! Ärge üritage seadet ümber ehitada ega kasutada tarvikuid, mis pole mõeldud selle seadmega koos kasutamiseks. Kõik niisugused muudatused loetakse väärkasutuseks ja need võivad põhjustada ohtlikke olukordi, mis võivad lõppeda raskete vigastustega.

⚠ HOIATUS! Raskeid vigastusi põhjustada võiva juhusliku käivitamise vältimiseks eemaldage masina osade kokkupaneku ajaks alati akuplokk.

MÄRKUS. Masinat ei saa käivitada enne, kui puhuri toru või imurikomplekt ja lehekott on täielikult ning õigesti kokku pandud.

PUHURI TORU PAIGALDAMINE/EEMALDAMINE

Paigaldamine (joonised B1 ja B2)

Joondage soon ja lükake toru puhuri korpusele, kuni puhuri toru lukustushoob oma kohale lukustub.

B-1	Puhuri toru lukustushoob
-----	--------------------------

Eemaldamine (joon. B3)

Riivi vabastamiseks vajutage puhuri lukustushooba ja eemaldage seejärel toru.

PUHURI KOONUSOTSAKU PAIGALDAMINE/EEMALDAMINE

Paigaldamine (joon. C1 ja C2)

Joondage koonusotsaku soon toru nupuga ja lükake otsak torule, kuni see klõpsatusega kinnitub.

Eemaldamine (joon. C3)

Vajutage ja hoidke otsaku vabastusnuppu all, et riiv vabastada, seejärel tõmmake otsak puhuri toru küljest ära.

IMURIKOMPLEKTI KOKKUPANEK/EEMALDAMINE

Imuri otsaku kokkupane (joonis D)

MÄRKUS: Kui vaakumotsak ja vaakumtoru on esimest korda ühendatud, muutuvad need üheks vaakumsõlmeks, mida ei saa lahti võtta.

Joondage sooned ja suruge otsak vaakumtorule, kuni imuri otsaku lukustusnupp lukustub oma kohale.

Imuri komplekti kokkupane

1. Õhu sisselaskevõre vabastamiseks suruge imuri toru lukustushooba ja seejärel avage võre (joonised E1 ja E2).

E-1	Imuri toru lukustushoob
-----	-------------------------

2. Joondage koostu ühendamiseks imuri komplekti kaks kõrgemat nelinurkset nurka õhu sisselaskeava kahe süüvitatud ruudukujulise soonega, nagu on näidatud joonisel E3.
3. Vajutage imuri komplekti õhu sisselaskeava poole, kuni imuri toru lukustushoob paigale lukustub (joonis E4).
4. Vajutage õhu sisselaskevõre vastu leheimurit (Joonis E5).

Lehekoti kokkupane (joonis F)

1. Joondage soon ja lükake lehekoti ühendustoru imuri korpuse külge, kuni lehekoti lukustushoob oma kohale lukustub.

F-1	Lehekoti konnektor	F-3	Lehekoti aas
F-2	Lehekoti lukustushoob		

ET

- Riputage lehekoti aas leheimuri konksu külge, nagu on näidatud joonisel F.

Lehekoti eemaldamine ja tühjendamine (joonis G1)

- Eemaldage leheimuri konksu küljest lehekoti aas.
- Riivi vabastamiseks vajutage lehekoti lukustushooba ja eemaldage seejärel kott.
- Lehekoti tühjendamiseks avage tõmblukk.

G-1	Tõmblukk
-----	----------

Imuri komplekti eemaldamine (joonised G2 ja G3)

- Toru lukust vabastamiseks vajutage imuri toru lukustushooba.
- Eemaldage imuri komplekt.
- Vajutage õhu sisselaskevõret õhu sisselaskeava poole, kuni lukustushoob lukustub.

ÕLARIHMA PAIGALDAMINE (joonis C)

Vajutage rihmakarabiini, et need avada, ja kinnitage need seadme mõlemas otsas olevate õlarihmade hoidikute külge.

Rihma vabastamiseks on kaks võimalust. Võtke see otse õlalt ära või vajutage ühte karabiini, et õlarihm hoidiku küljest lahti ühendada.

⚠ HOIATUS! Rihma kandmisel ei tohiks ükski muu kantav ese rihma vabastamist ja eemaldamist segada.

⚠ HOIATUS! Õnnetuse korral võtke see kohe õlalt ära, ükskõik mil viisil rihm teil õlal on.

⚠ HOIATUS! Ühe- ja kahe-rihmalisi rakmeid ei tohi kasutada samaaegselt.

⚠ HOIATUS! Ärge kasutage õlarihma ja BH1000 EGO seljakoti kinnitust korraga. See takistab seadme kiiret hädavabastust, mille tulemuseks on kehavigastused.

KASUTAMINE

⚠ HOIATUS! Ärge muutuge toodet tundma õppides hooletuks. Pidage meeles, et raskeid vigastusi põhjustavaks õnnetuseks piisab ka sekundi mürdosa pikkusest tähelepanematusest.

⚠ HOIATUS! Kasutage alati külgkaitsmetega silmakaitseid ja kuulmiskaitsmeid. Vastasel korral võib teile midagi silma paiskuda ja võite saada ka muud laadi raskeid vigastusi.

⚠ HOIATUS! Raskeid vigastusi põhjustada võiva juhusliku käivitamise vältimiseks eemaldage alati akuplokk enne masina kokkupanemist, reguleerimist, puhastamist või kui masin ei ole kasutuses.

⚠ HOIATUS! Ärge kasutage lisaseadmeid või -tarvikuid, mida selle toote valmistaja pole soovitanud. Mittesoovitulike lisaseadmete või -tarvikute kasutamine võib põhjustada raskeid kehavigastusi.

Kontrollige enne iga kasutuskorda kogu toodet, et ei esineks kahjustunud, puuduvaid või lahtiisi osi, nt kruve, mutreid, polte, korke vms. Kinnitage kõik kinnitused ja korgid ning ärge kasutage toodet, kuni kõik puuduvad või kahjustatud osad on välja vahetatud.

KASUTUSESMÄRGID

Seda toodet võib kasutada allpool loetletud eesmärkidel.

- Lehtede, niidetud muru ja muu prahi kogumine.
- Kõvade pindade, nt sõidu- ja kõnniteede, puhastamiseks.
- Kõnni- ja sõiduteede lehtedest puhastamiseks.

MÄRKUS. Masinat tohib kasutada vaid käesolevas juhendis lubatud eesmärgil. Igasugust muud kasutust loetakse väärkasutuseks.

AKUPLOKI PAIGALDAMINE/EEMALDAMINE

Kasutage ainult joonisel A2 esitatud EGO akuplokke ja laadureid.

MÄRKUS. Laadike akuplokk enne esimest kasutuskorda täiesti täis.

Paigaldamine

Joondage aku sakid paigaldussoontega ja suruge akuplokki alla, kuni kuulete klõpsatust (joonis I1).

Eemaldamine (joonis I2)

Vajutage akuvabastusnuppu ja tõmmake akupakk välja (joonis I2).

⚠ HOIATUS! Akuvabastusnuppu vajutades arvestage alati oma jalgade ning läheduses viibivate laste ja loomade asukohaga. Akuploki kukkumine võib põhjustada raskeid vigastusi. Akuplokki ei tohi eemaldada kõrges kohas töötades.

MASINA KÄIVITAMINE/SEISKAMINE

Ainult puhumiskiiruse päästik

- Seadme sisselülitamiseks vajutage puhumiskiiruse päästikut.

ET

2. Seadme puhumiskiirust juhitakse kiiruse muutmise päästikuga. Suurem päästikule avaldatav surve toob kaasa suurema puhumiskiiruse; väiksema päästikule avaldatava surve korral on ka puhumiskiirus väiksem. Reguleerige kiirus parajasti tehtava töö jaoks sobivaks.
3. Seadme väljalülitamiseks vabastage puhumiskiiruse päästik.

Ainult kiiruse-/lukustamise nupp

Seadme saab kiiruse-/lukustamise nupu abil määrata töötama ükskõik millisel püsival kiirusel.

1. Seadme käivitamiseks keerake kiiruse-/lukustamise nuppu lähedal asuva õlahirna hoidiku poole. Õhukiirus suureneb, kui ketast keerata, kuni see saavutab maksimaalse kiiruse (MAX).
2. Puhumiskiiruse vähendamiseks keerake kiiruse-/lukustamise nuppu vastupidises suunas.
3. Masina peatamiseks keerake kiiruse-/lukustamise nuppu jätkuvalt väljalülitatud asendisse (O).

MÄRKUS. Kui kiiruse-/lukustamise nuppu ei keerata enne aku eemaldamist tagasi väljalülitatud asendisse, siis puhur pärast täiesti täislaetud aku paigaldamist ei käivitu. See on turvafunktsioon juhusliku käivitumise vältimiseks. Turvafunktsiooni väljalülitamiseks ja puhuri käivitamiseks vajutage puhumiskiiruse päästikut.

NÕUANDED PUHURI KASUTAMISEKS (joonis K)

Masina kasutamiseks puhurina järgige imurikomplekti paigaldamiseks jaotises **KOKKUPANEK** toodud juhiseid.

- Mustuse laiali pildumise vältimiseks puhuge prahihunniku välimisi ääri mööda. Ärge suunake õhuvoolu prahihunniku keskele.
- Mürataseme vähendamiseks ärge kasutage korraga väga paljusid elektriseadmeid.
- Enne puhumist vabastage praht rehade või harjadega maa küljest. Tolmustes tingimustes niisutage vee olemasolul veidi pinda.
- Vee kokkuhoiu huvides kasutage puhurit erinevate väliste puhastustööde jaoks (nt katuserennide, võrkude, terrasside, võrede, rõdude ja aedade puhastamisel).
- Jälgige laste, loomade, avatud akende ja hiljuti pestud autode asukohta ning puhuge prahti ohutus suunas.
- Pärast puhurite ja teiste seadmete kasutamist koristage tööpiirkond! Kõrvaldage praht nõuetekohaselt.

NÕUANDED IMURI KASUTAMISEKS (joonis L)

Masina kasutamiseks imurina järgige imuri komplekti, lehekoti ja õlahirna paigaldamiseks jaotises **KOKKUPANEK** toodud juhiseid.

- Kontrollige regulaarselt, et lehekott poleks kulunud ega kahjustatud.
- Tolmu kerkimise vältimiseks sulgege enne seadme käivitamist lehekoti tõmbelukk täielikult.
- Tühjendage lehekott enne, kui see täis saab.
- Vee seadmesse sattumise vältimiseks kasutage seadet märgade lehtede kogumiseks maapinnalt, kuid mitte basseinit.
- Ärge imege kilekotte, riidetükke ja muid esemeid, mida ei ole lihtne lagundada ja mis võivad kergesti masinasse takerduda.
- Ärge imege seadmesse kõvasid materjale, nagu suured puidulaastud, metallid, klaas, kivikesed jne.

HOOLDUS

⚠ HOIATUS! Hooldusel ja remontimisel kasutage vaid originaalvaruosi. Mis tahes muude osade kasutamine võib põhjustada ohtlikke olukordi või toodet vigastada. Turvalisuse ja vastupidavuse tagamiseks peab kõiki parandustöid läbi viima kvalifitseeritud hooldustehnik.

⚠ HOIATUS! Raskete kehavigastuste vältimiseks tuleb masina puhastamise või hooldamise ajaks alati akuplokk eemaldada.

ÜLDHOOLDUS

Vältige plastosade puhastamisel lahustite kasutamist. Enamik plastmaterjalidest on vastuvõtlikud müügil olevatest lahustitest tulenevatele kahjustustele. Kasutage mustuse, tolmu, õli, määrdet jms eemaldamiseks puhast lappi.

⚠ HOIATUS! Ärge kunagi laske pidurivedelikel, bensiinil, naftabaasil toodetel, läbitungivatel õlidel jms puutuda kokku plastosadega. Kemikaalid võivad plasti kahjustada, nõrgendada või hävitada, mille tagajärjeks võib olla raske kehavigastus.

HOIUSTAMINE

- Ühendage akuplokk masina küljest lahti.
- Eemaldage seadme õhu sissevõtuavadest võõrkehad.
- Hoidke seadet suletud ruumis lastele kättesaamatus. Hoidke seadet eemal korrodeerivatest ainetest (nt aiakemikaalid ja jääsulatussoolad).

Keskkonnakaitse

Ärge visake elektriseadmeid, kasutatud akut ega laadurit olmeprügi hulka!

Viige toode volitatud taaskäitleja juurde ja võimaldage selle komponendid sorteerituna kõrvaldada. Elektri tööriistad tuleb viia keskkonnakaitsenõudeid järgivasse jäätmekäitluskeskusesse.

ET

TÕRKEOTSING

PROBLEEM	PÕHJUS	LAHENDUS
Leheimur ei tööta.	<ul style="list-style-type: none"> ■ Leheimuri ja akuploki vahel puudub elektriline ühendus. ■ Akuplokk on tühi. ■ Akuplokk või puhur on liiga kuum. ■ Seade pole täielikult kokku pandud. 	<ul style="list-style-type: none"> ■ Eemaldage akuplokk, kontrollige ühendusi ja pange akuplokk tagasi. ■ Laadige akuplokki. ■ Jahutage akuplokki ja leheimurit, kuni temperatuur langeb alla 67 °C. ■ Seadme täielikuks ja korrektseks kokkupanekuks järgige jaotises Kokkupanek toodud juhiseid.
Puhumiskiirus väheneb oluliselt.	<ul style="list-style-type: none"> ■ Õhu sisselaskeava on mustust täis. ■ Mootori ventilaator on väga kulunud. ■ Lehekoti sees on liiga palju prahti. 	<ul style="list-style-type: none"> ■ Eemaldage akud, kõrvaldage praht. ■ Võtke seadme remontimiseks ühendust EGO hoolduskeskusega. ■ Tühjendage lehtkott, järgides jaotise KOKKUPANEK peatükis Lehekoti eemaldamine ja tühjendamine toodud juhiseid.

GARANTII

EGO GARANTIIPÕHIMÕTTED

Täielikud EGO garantiitingimused leiate veebilehelt egopowerplus.eu.

ПРОЧИТАЙТЕ ВСІ ІНСТРУКЦІЇ!



PRZECZYTAJ INSTRUKCJĘ OBSŁUGI

⚠ ПОПЕРЕДЖЕННЯ. Для гарантування безпеки та надійності всі ремонтні роботи повинен проводити кваліфікований технічний спеціаліст.

⚠ ПОПЕРЕДЖЕННЯ. Перш ніж користуватися цим інструментом, обов'язково ознайомтеся з усіма інструкціями з безпеки, наведеними в цьому посібнику користувача, зокрема з усіма символами попереджень, такими як «**НЕБЕЗПЕКА**», «**ПОПЕРЕДЖЕННЯ**» та «**ЗАСТЕРЕЖЕННЯ**». Недотримання наведених нижче вказівок може спричинити ураження електричним струмом, пожежу та/або серйозні травми.

ЗБЕРІГАЙТЕ ВСІ ПОПЕРЕДЖЕННЯ ТА ІНСТРУКЦІЇ ДЛЯ ВИКОРИСТАННЯ В МАЙБУТЬОМУ.

СИМВОЛИ, ЩО СТОСУЮТЬСЯ БЕЗПЕКИ

⚠ ПОПЕРЕДЖЕННЯ. Використання будь-яких електроінструментів може призвести до потрапляння сторонніх предметів в очі, що може спричинити серйозне пошкодження очей. Перед початком експлуатації електроінструмента завжди надягайте закриті захисні окуляри або відкриті захисні окуляри з бічними щитами та, якщо потрібно, повнопрофільну захисну маску. Ми рекомендуємо захисну маску широкого розміру для використання поверх окулярів або стандартні відкриті захисні окуляри з бічними щитами.



Попередження щодо безпеки



Щоб зменшити ризик травми, користувач повинен ознайомитися з інструкцією користувача перед використанням цього виробу.



Завжди надягайте засоби захисту органів слуху та очей під час роботи з цим виробом.



Тримайте сторонніх не ближче як за 15 метрів.



Гарантований рівень звукової потужності. Розповсюдження шуму в навколишнє середовище згідно з директивою Європейського співтовариства.



Цей виріб відповідає чинним директивам ЄС.



Відходи електричних виробів не слід викидати разом із побутовим сміттям. Зверніться до авторизованого пункту переробки.



Цей виріб відповідає чинному законодавству Великобританії.



Постійний струм

IPX4 Захист від бризок води



V Напруга

..хв На хвилину



мм Міліметр

n_0 Швидкість холостого ходу

UK

ЗАГАЛЬНІ ВКАЗІВКИ З ТЕХНІКИ БЕЗПЕКИ

▲ ПОПЕРЕДЖЕННЯ. ПРОЧИТАЙТЕ ВСІ ПОПЕРЕДЖЕННЯ З БЕЗПЕКИ, ІНСТРУКЦІЇ, ІЛЮСТРАЦІЇ ТА ХАРАКТЕРИСТИКИ, НАДАНІ З ЦИМ ІНСТРУМЕНТОМ. Недотримання наведених нижче інструкцій може спричинити ураження електричним струмом, пожежу та/або серйозні травми.

ЗБЕРІГАЙТЕ ВСІ ПОПЕРЕДЖЕННЯ ТА ІНСТРУКЦІЇ ДЛЯ ВИКОРИСТАННЯ В МАЙБУТНЬОМУ.

Термін «електроінструмент» у попередженнях стосується електричного інструмента, що працює від електромережі (через шнур) або від акумулятора (без шнура).

БЕЗПЕКА В РОБОЧІЙ ЗОНІ

- **Робоче місце має бути чистим і гарно освітленим.** Неприбрана або погано освітлена робоча зона може стати причиною нещасного випадку.
- **Не працюйте з інструментом у вибухонебезпечному середовищі, наприклад за наявності легкозаймистих рідин, газів або пилу.** Під час роботи інструмента утворюються іскри, від яких можуть зайнятися пил або випари.
- **Дітям і спостерігачам заборонено перебувати поруч з електроінструментом, що працює.** Це може відволікати вас і призвести до втрати контролю.

ЕЛЕКТРОБЕЗПЕКА

- **Штепсельні вилки електроінструмента мають підходити до розеток.** Заборонено модифікувати вилку будь-яким чином. **Не використовуйте жодні перехідники для роботи із заземленими електроінструментами.** Використання штепселів і розеток, у які не вносилися зміни, зменшує ризик ураження електричним струмом.
- **Уникайте контакту частин тіла із заземленими поверхнями, такими як труби, батареї, плити й холодильники.** У разі заземлення тіла збільшується ризик ураження електричним струмом.
- **Бережіть електроінструмент від дощу та вологи.** Вода, що потрапила в інструмент, підвищує ризик ураження електричним струмом.
- **Поводьтесь обережно зі шнуром живлення. Ніколи не використовуйте шнур живлення для перенесення, перетягування або вимкнення інструмента.** Бережіть шнур живлення від

джерел тепла, мастил, гострих країв та рухомих частин. Пошкоджені або заплутані шнури живлення підвищують ризик ураження електричним струмом.

- **Під час роботи з електроінструментом надворі використовуйте подовжувач, призначений для зовнішніх робіт.** Використання подовжувача, призначеного для зовнішніх робіт, зменшує ризик ураження електричним струмом.
- **Якщо роботи з інструментом у вологому середовищі не уникнути, скористайтеся вимикачем короткого замикання на землю.** Використання ВКЗЗ зменшує ризик ураження електричним струмом.

ІНДИВІДУАЛЬНА ТЕХНІКА БЕЗПЕКИ

- **Під час роботи з інструментом будьте уважні, стежте за своїми діями та мисліть розсудливо.** Не працюйте з електроінструментом, якщо ви втомлені або перебуваєте під дією наркотичних речовин, алкоголю чи ліків. Навіть миттєва неувважність під час роботи з інструментом може призвести до серйозної травми.
- **Використовуйте засоби особистого захисту.** Завжди носіть засоби захисту очей. Використання у відповідних умовах таких захисних засобів, як протипиловий респіратор, неслизьке захисне взуття, шолом-каска і навушники допоможе зменшити ризик травмування.
- **Уникайте випадкового запуску інструмента.** Перш ніж підключати електроінструмент до мережі живлення чи акумулятора, брати або переносити його, перевірте, чи встановлено перемикач у положення «вимкнено». Якщо переносити електроінструмент, тримаючи палець на вимикачі, або підключати його до джерела живлення, коли вимикач перебуває в положенні «увімкнено», це може призвести до травмування.
- **Перш ніж вмикати інструмент, слід зняти всі регульовальні клинці або гайкові ключі.** Якщо залишити такий ключ на рухомій частині інструмента, це може призвести до травмування.
- **Не перенапружуйтеся.** Завжди міцно стійте на ногах і втримуйте рівновагу. Це дає змогу краще керувати інструментом у разі виникнення непередбачуваних ситуацій.
- **Одягайтеся належним чином.** Не носіть вільний одяг або біжутерію. Стежте за тим, щоб волосся та одяг не потрапили на рухомі частини. Вільний одяг, біжутерія або довге волосся можуть потрапити в рухомі частини.

- Якщо пристрої обладнано системою видалення пилу, переконайтеся, що її правильно підключено та що ви використовуєте її належним чином. Використання пристрою для збирання пилу може зменшити безпеку, пов'язану з пилом.
- Не дозволяйте навичкам, отриманим після частого використання інструментів, змусити вас стати самовпевненими та ігнорувати принципи безпеки інструмента. Недбала дія може спричинити серйозну травму протягом доли секунди.

ВИКОРИСТАННЯ ТА ДОГЛЯД ЗА ІНСТРУМЕНТОМ

- Не застосовуйте силу до інструмента. Використовуйте належний електроінструмент відповідно до потреби. Правильно підібраний електроінструмент допоможе краще та безпечніше зробити роботу зі швидкістю, яка для нього передбачена.
- Не використовуйте інструмент, якщо вимикач не вмикає або не вимикає його. Усі електроінструменти, якими неможливо керувати за допомогою перемикача, становлять безпеку й підлягають ремонту.
- Перш ніж проводити будь-які налаштування, замінювати приладдя, а також перед зберіганням вийміть штепсель із розетки або акумулятор з інструмента. Такі запобіжні заходи безпеки зменшують ризик випадкового вмикання інструмента.
- Зберігайте інструменти, що не використовуються у недоступному для дітей місці та не дозволяйте особам, які не знайомі з інструментом або цими інструкціями, керувати ним. Електроінструменти становлять безпеку в руках недосвідчених користувачів.
- Обслуговуйте інструменти та приладдя. Перевіряйте їх на предмет розладнання чи блокування рухомих частин, а також будь-яких обставин, які можуть вплинути на роботу інструмента. У разі пошкодження електроінструмент слід здати в ремонт, перш ніж користуватися ним. Часто нещасні випадки трапляються внаслідок неналежного технічного обслуговування інструментів.
- Тримайте ріжучі інструменти гострими й чистими. Належним чином доглянуті ріжучі інструменти з гострими ріжучими краями рідше блокуються, та ними легше керувати.
- Користуйтеся електроінструментом, приладдям і насадками для інструмента згідно з цією інструкцією, зважаючи на робочі умови та

роботу, яку слід виконати. Використання електроінструмента не за призначенням може стати причиною виникнення небезпечних ситуацій.

- Підтримуйте ручки та захватні поверхні сухими, чистими, без жиру та бруду. Слизькі ручки та захватні поверхні не дають змоги безпечно тримати та керувати інструментом у непередбачених ситуаціях.

ВИКОРИСТАННЯ ТА ДОГЛЯД ЗА АКУМУЛЯТОРНИМ ІНСТРУМЕНТОМ

- Заряджайте лише за допомогою зарядного пристрою, вказаного виробником. Зарядний пристрій, який підходить для акумуляторів одного виду, може спричинити ризик пожежі у випадку його використання з іншим акумулятором.
- З інструментом слід використовувати лише призначені для нього акумуляторні батареї. Використання будь-яких інших акумуляторних батарей може призвести до травми або пожежі.
- Коли батарея не використовується, її слід тримати окремо від металевих предметів – затискачів паперу, монет, ключів, цвяхів, шурупів та інших дрібних предметів, які можуть замкнути клема. Коротке замикання клем акумулятора може стати причиною опіків чи пожежі.
- У надто важких умовах експлуатації з акумулятора може витікати рідина; не доторкайтесь до неї. Якщо випадково ви все ж торкнулися її, слід промити це місце водою. Якщо рідина потрапила в очі, слід також звернутися до лікаря. Рідина, яка виступає з акумулятора, може спричинити подразнення або опіки.
- Не використовуйте акумуляторну батарею або інструмент, які пошкоджено або змінено. Пошкоджені або змінені батареї можуть мати непередбачувану поведінку, що може спричинити пожежу, вибух або ризик травмування.
- Не піддавайте акумуляторну батарею або інструмент дії вогню або високих температур. Вогонь або температура вище 130°C може спричинити вибух.
- Дотримуйтесь усіх інструкцій щодо зарядження та не заряджайте акумуляторну батарею або інструмент за межами температурного діапазону, зазначеного в інструкціях. Зарядження неналежним чином або при температурах за межами вказаного діапазону може пошкодити акумулятор і збільшити ризик виникнення пожежі.

UK

СЕРВІС

- Обслуговування інструмента повинен виконувати кваліфікований ремонтник з використанням лише ідентичних запасних частин. Це забезпечить надійну роботу інструмента.
- Ніколи не ремонтуйте пошкоджені акумулятори. Сервісне обслуговування акумуляторних батарей має виконувати лише виробник або авторизовані постачальники послуг.

ПОПЕРЕДЖЕННЯ ЩОДО БЕЗПЕКИ ПОВІТРОДУВКИ/ПИЛОСОСА

- Не використовуйте інструмент у поганих погодних умовах, особливо якщо існує ризик блискавки. Це знижує ризик ураження блискавкою.
- Часто перевіряйте сміттєзбірник на предмет зношення або пошкодження. Зношений або пошкоджений сміттєзбірник може збільшити ризик травмування.
- Використовуйте засоби захисту органів зору та слуху. Відповідне захисне спорядження зменшить ризик травмування.
- Під час роботи з інструментом завжди носіть нековзне та захисне взуття. Не користуйтеся інструментом босоніж або у відкритих сандалях. Якщо дотримуватися цієї вимоги, це знизить ризик травмування ніг.
- Не носіть вільний одяг або предмети, такі як шарфи, мотузки, ланцюжки, краватки тощо, які можуть потрапити в повітрязбірники. Зав'яжіть назад або покрийте довге волосся, щоб воно не було втягнуто в повітрязбірники. Якщо будь-який із цих предметів потрапить у повітрязбірники, це може збільшити ризик травмування.
- Під час роботи з інструментом тримайте сторонніх осіб подалі. Відкинуте сміття може збільшити ризик травмування.
- Не використовуйте в режимі пирососа без установленого сміттєзбірника. Відкинуті предмети можуть збільшити ризик травмування.
- Ніколи не спрямовуйте насадку повітродувки в напрямку людей чи домашніх тварин або в напрямку вікон. Будьте особливо обережні, видувачи сміття поблизу твердих предметів, таких як дерева, автомобілі та стіни, які можуть спричинити рикошет улаmkів. Відкинуті предмети можуть пошкодити майно та збільшити ризик травмування.

- Не використовуйте інструмент для підняття або видування будь-чого, що горить або димить, наприклад сигарет, сірників або гарячого попелу. Ці джерела займання можуть збільшити ризик пожежі.
- Не пилюсьте воду чи інші рідини та не занурюйте будь-яку частину інструмента в рідину. Потраплення води в інструмент може збільшити ризик ураження електричним струмом.
- Не пилюсьте каміння, гравій, метал або бите скло. Колесо вентилятора може бути пошкоджене та збільшити ризик травмування.
- Не торкайтеся вентилятора під час руху. Вимкніть інструмент і зачекайте, доки вентилятор зупиниться, перш ніж знімати будь-яку частину, яка може відкрити доступ до вентилятора. Це знижує ризик травмування від рухомих частин.
- Під час видалення застряглого матеріалу або обслуговування інструмента переконайтеся, що вимикач живлення вимкнено. Непередбачений запуск інструмента під час видалення застряглого матеріалу або обслуговування може призвести до серйозної травми.

ПРОЧИТАЙТЕ ВСІ ІНСТРУКЦІ ПЕРЕД ВИКОРИСТАННЯМ ЦЬОГО ВИРОБУ!

НАВЧАННЯ

- Ніколи не дозволяйте дітям, особам з обмеженими фізичними, сенсорними або розумовими можливостями, відсутністю досвіду та знань або людям, не ознайомленим із цими інструкціями, використовувати інструмент.
- Оператор або користувач несе відповідальність за нещасні випадки або виникнення непередбачених ситуацій з іншими людьми або їхнім майном.

ПІДГОТОВКА

- Машину можна використовувати в умовах дощу або у вологих умовах. Після закінчення роботи висушіть інструмент.
- Перед використанням перевірте батареї або акумулятори на наявність пошкоджень. Не використовуйте прилад, якщо батареї або акумулятор пошкоджені.

UK

ЕКСПЛУАТАЦІЯ

- Машину можна використовувати в умовах дощу або у вологих умовах. Після закінчення роботи висушіть інструмент.
- Від'єднуйте батареї або акумулятори:
 1. залишаючи інструмент;
 2. перед очищенням засмічення;
 3. перед перевіркою, чищенням або роботою в самому інструменті;
 4. якщо прилад починає незвично вібрувати.
- Завжди зберігайте стійке положення ніг на сходах.
- Ходіть, не біжіть.
- Оберігайте всі охолоджувальні повітрязабірники від засмічення.
- Рекомендується експлуатувати інструмент лише у відповідний час – не рано вранці чи пізно ввечері, коли це може потурбувати інших людей.
- Рекомендується злегка зволожити поверхню в запилених умовах або використовувати насадку для дрібнокрапельного обприскування.

⚠ ПОПЕРЕДЖЕННЯ. Безбезпека від деталей, що обертаються!

- Використовуйте повне подовження сопла інструмента, щоб потік повітря працював близько до землі.
- Не використовуйте пристрій біля відкритих вікон тощо.

ТЕХНІЧНЕ ОБСЛУГОВУВАННЯ ТА ЗБЕРІГАННЯ

- Тримайте всі гайки, болти та гвинти щільно затягнутими для утримання пристрою в безпечному робочому стані.
- Замінійте зношені або пошкоджені деталі.
- Використовуйте лише справжні запасні деталі та аксесуари.
- Зберігайте пристрій у сухому місці.

⚠ ПОПЕРЕДЖЕННЯ. Щоб зменшити ризик пожежі, ураження електричним струмом або травми:

ВАЖЛИВО

ПРОЧИТАЙТЕ УВАЖНО ПЕРЕД ВИКОРИСТАННЯМ.

ЗБЕРІГАЙТЕ ДЛЯ ПОДАЛЬШОГО КОРИСТУВАННЯ.

- Не дозволяйте використовувати інструмент як іграшку. Необхідна пильна увага, коли вона

використовується дітьми або біля них.

- Якщо інструмент не працює належним чином, упав, пошкоджений або потрапив у воду, поверніть його до сервісного центру.
- Не вставляйте жодні предмети в будь-які отвори. Не використовуйте, коли будь-який отвір заблоковано; бережіть отвори від пилу, ворсу, волосся та всього іншого, що може зменшити потік повітря.
- Будьте особливо обережні під час прибирання на сходах.
- Не залишайте інструмент без нагляду, коли штепсель акумулятора вставлено. Вийміть акумулятор, коли інструмент не використовується, і перед обслуговуванням.
- Не торкайтеся зарядного пристрою, зокрема його вилки або клем, мокрими руками.
- Не заряджайте акумуляторну батарею надворі.

⚠ ПОПЕРЕДЖЕННЯ.

- Акумуляторну батарею потрібно вийняти з приладу, перш ніж викидати його.
- Акумулятори необхідно утилізувати безпечно.

- НЕ намагайтесь очистити засмічення в пристрої, попередньо не вийнявши акумулятор.
- Підтримуйте інструмент і його руків'я сухими, чистими, без жиру і бруду. Завжди використовуйте чисту ганчірку для чищення. Ніколи не використовуйте гальмівні рідини, бензин, нафтові продукти або будь-які міцні розчинники для очищення інструмента. Дотримання цього правила зменшить ризик утрати контролю та пошкодження пластикової оболонки.
- Батареї можуть вибухнути в присутності джерела займання, наприклад індикатора. Щоб зменшити ризик серйозного травмування, ніколи не використовуйте бездротовий пристрій у присутності відкритого полум'я. Вибухла батарея може розповсюджувати сміття та хімічні речовини. У разі виявлення негайно змийте водою.
- Ніколи не запускайте пристрій, не прикріпивши відповідне обладнання. Завжди перевіряйте, чи трубку інструмента встановлено.
- Ніколи не використовуйте інструмент біля вогню або гарячого попелу. Використання поблизу вогню або попелу може поширити вогонь і призвести до серйозних травм та/або пошкодження майна.

UK

- Ніколи не використовуйте інструмент для розкидання хімікатів, добрив або будь-яких інших токсичних речовин. Розповсюдження цих речовин може призвести до серйозної травми оператора або сторонніх спостерігачів.
- Збережіть цю інструкцію. Часто переглядайте та використовуйте її, щоб навчати інших, хто може використовувати цей інструмент. Якщо ви надаєте комусь цей інструмент, надайте їм ці інструкції, щоб запобігти неналежному використанню виробу та можливим травмам.

ЗБЕРЕЖІТЬ ЦЮ ІНСТРУКЦІЮ!

ТЕХНІЧНІ ХАРАКТЕРИСТИКИ

Номинальна напруга		56 В ---
Повітродувка	Максимальний об'єм повітря	850 м³/год
	Максимальна швидкість повітря	64 м/с (тільки з трубкою повітродувки) 93 м/с (з конічною насадкою)
	Максимальна сила видування	15 Н
Місткість мішка для листя		40 літр
Макс. Швидкість подрібнення		16 : 1
Вага (без акумуляторної батареї та форсунки)		5,8 кг (пилосос) 4,2 кг (повітродувка)
Діапазон рекомендованих робочих температур		-15°C-40°C
Діапазон рекомендованих температур зберігання		-20°C-70°C
Рекомендована температура під час заряджання		5°C-40°C
Вимірний рівень звукової потужності L_{WA}		100 дБ(А) K=1,9 дБ(А)
Рівень звукового тиску на робочому місці L_{PA}		88 дБ(А) K=3 дБ(А)

Гарантований рівень звукової потужності L_{WA} (відповідно до стандарту 2000/14/ЄС)	102 дБ(А)
Вібрація a_h	Макс. 1,80 м/с² K=1,5 м/с²

- Вказане загальне значення вібрації виміряне за стандартним методом тестування і може використовуватися для порівняння одного інструмента з іншим.
- Заявлене сумарне значення вібрації може також використовуватись для попередньої оцінки впливу.

ПРИМІТКА. Емісія вібрації під час фактичного використання електроінструмента може відрізнятися від заявленої величини, у якій використовується інструмент. Щоб захистити оператора, користувач повинен одягати рукавички та захисні навушники в реальних умовах використання.

ПАКУВАЛЬНИЙ СПИСОК (РИС. А1)

ОПИС

ОЗНАЙОМЛЕННЯ З ПИЛОСОСОМ ДЛЯ ПРИБИРАННЯ ЛИСТЯ (рис. А1)

1. Насадка пилососа
2. Вакуумна трубка
3. Ручка для перенесення пилососа в зборі
4. Решітка повітрязабірника
5. Передня ручка
6. Кнопка звільнення акумулятора
7. Регулятор швидкості/фіксатор
8. Гачок для ремінця на плече
9. Основна ручка
10. Тригер швидкості повітря
11. Мішок для листя
12. Плечовий ремінь
13. Електричні контакти
14. Засувка
15. Трубка повітродувки
16. Конічна насадка

UK

250

ПОВІТРОДУВКА ДЛЯ ЛИСТЯ З 56-ВОЛЬТНИМ ЛІТІЙ-ІОННИМ АКУМУЛЯТОРОМ — LV5000E

ЗБИРАННЯ

⚠ ПОПЕРЕДЖЕННЯ. Якщо якісь частини пошкоджені або відсутні, не користуйтеся цим інструментом, доки вони не будуть замінені. Використання цього виробу з пошкодженими або відсутніми деталями може призвести до серйозних травм.

⚠ ПОПЕРЕДЖЕННЯ. Не намагайтеся вдосконалити цей інструмент або застосувати приладдя, не рекомендоване для нього. Кожна така заміна чи переробка є фактом неправильного користування, створює небезпечні умови й загрожує серйозними травмами.

⚠ ПОПЕРЕДЖЕННЯ. Щоб запобігти випадковому запуску, що може спричинити серйозні травми, завжди виймайте акумуляторну батарею з інструмента під час монтажу деталей.

ПРИМІТКА. Інструмент не можна запустити, доки трубка повітродувки або пілососа в зборі та мішок для листа не будуть повністю та правильно зібрані.

УСТАНОВЛЕННЯ/ЗНЯТТЯ ТРУБКИ ПОВІТРОДУВКИ

Установлення (рис. В1 і В2)

Сумістіть із пазом і вставте трубку в корпус повітродувки, доки важіль блокування трубки повітродувки не зафіксується.

B-1	Важіль блокування трубки повітродувки
-----	---------------------------------------

Зняття (рис. В3)

Натисніть на важіль блокування повітродувки, щоб від'єднати засувку, а потім вийміть трубку.

УСТАНОВЛЕННЯ/ЗНЯТТЯ КОНІЧНОЇ НАСАДКИ ПОВІТРОДУВКИ

Установлення (рис. С1 і С2)

Вирівняйте паз у кінчній насадці ручкою трубки і насуňte насадку на трубку, доки вона не зафіксується на місці.

Зняття (рис. С3)

Натисніть і утримуйте кнопку відпускання сопла, щоб відкрити фіксатор, потім витягніть насадку прямо з трубки повітродувки.

УСТАНОВЛЕННЯ/ЗНЯТТЯ ПИЛОСОСА В ЗБОРІ

Установлення насадки пілососа (рис. D)

ПРИМІТКА. Після першого з'єднання вакуумної насадки та вакуумної трубки вони стають єдиним вакуумним вузлом, який неможливо роз'єднати.

Вирівняйте паз і вставте насадку в трубку пілососа, доки не зафіксується кнопка блокування насадки пілососа.

Установлення пілососа в зборі

1. Натисніть на важіль блокування трубки пілососа, щоб звільнити решітку повітрязбірника, а потім відкрийте решітку (рис. E1 і E2).

E-1	Важіль фіксації трубки пілососа
-----	---------------------------------

2. Вирівняйте два підняті квадратні кути на пілососі в зборі з двома заглибленими квадратними канавками на отворі входу повітря, як показано на рис. E3, щоб зафіксувати збірку.
3. Притисніть пілосос у зборі до отвору виходу повітря, доки важіль блокування трубки пілососа не зафіксується (рис. E4).
4. Притисніть решітку повітрязбірника до пілососа в зборі (рис. E5).

Установлення мішка для листа (рис. F)

1. Сумістіть із пазом і вставте з'єднувач мішка для листа в корпус пілососа, доки важіль блокування мішка для листа не зафіксується.

F-1	З'єднувач мішка для листа	F-3	Гачок мішка для листа
F-2	Важіль блокування мішка для листа		

2. Підвісьте петлю мішка для листа на гачок на пілососі в зборі, як показано на рис. F.

Зняття та спорожнення мішка з листям (рис. G1)

1. Зніміть петлю мішка для листа з гачка на пілососі в зборі.
2. Натисніть важіль блокування мішка для листа, щоб від'єднати засувку, а потім зніміть мішок.
3. Відкрийте застібку-блискавку, щоб спорожнити мішок із листям.

G-1	Застібка-блискавка
-----	--------------------

UK

Зняття пилососа в зборі (рис. G2 і G3)

1. Натисніть важіль блокування вакуумної трубки, щоб розблокувати трубку.
2. Зніміть пилосос у зборі.
3. Притисніть решітку повітрязбірника до повітрязбірника, доки важіль блокування не зафіксується.

КРІПЛЕННЯ ПЛЕЧОВОГО РЕМЕНЯ (рис. H)

Натисніть на карабіни ременів, щоб відкрити їх, і прикріпіть їх до вішалок плечових ременів на кожному кінці інструмента.

Існує два способи знімання ременя. Зніміть його безпосередньо з плеча або натисніть на один із карабінів, щоб від'єднати плечовий ремінь від гачка плечового ременя.

⚠ ПОПЕРЕДЖЕННЯ. Під час носіння ременя жодні інші пристрої, що носяться, не мають заважати звільненню та зняттю ременя.

⚠ ПОПЕРЕДЖЕННЯ. Якщо трапляється надзвичайна ситуація, негайно зніміть його з плеча, незалежно від того, у який спосіб одягнуто ремінь.

⚠ ПОПЕРЕДЖЕННЯ. Не слід одночасно використовувати одинарний і подвійний плечовий ремінь.

⚠ ПОПЕРЕДЖЕННЯ. Не використовуйте плечовий ремінь і кріплення для рюкзака BH1000 від EGO одночасно. Дотримання цієї вимоги дасть змогу запобігти швидкому аварійному розблокуванню інструмента, що може призвести до травмування.

ЕКСПЛУАТАЦІЯ

⚠ ПОПЕРЕДЖЕННЯ. Знання виробу не має робити вас недбалим. Пам'ятайте, що півсекунди неувважності досить для серйозної травми.

⚠ ПОПЕРЕДЖЕННЯ. Завжди носіть захисні окуляри з бічними щитками та навушники. Без окулярів ви ризикуєте травмами очей від викинутих предметів та іншими серйозними травмами.

⚠ ПОПЕРЕДЖЕННЯ. Щоб запобігти випадковому запуску, що може спричинити серйозні травми, завжди виймайте акумуляторну батарею з інструмента під час монтажу деталей, регулювання, очищення або коли він не використовується.

⚠ ПОПЕРЕДЖЕННЯ. Не використовуйте приладдя чи насадки, не рекомендовані виробником цього пристрою. Використання нерекomenдованого приладдя чи насадок може призвести до серйозних травм.

Перед кожним використанням перевіряйте весь виріб на предмет пошкоджень, відсутності або послаблення деталей, таких як гвинти, гайки, болти, кришки тощо. Закріпіть усі затискачі та ковпачки і не використовуйте цей прилад, доки не будуть замінені всі відсутні або пошкоджені деталі.

ЗАСТОСУВАННЯ

Ви можете використовувати цей виріб для цілей, перелічених нижче:

- Збирання листя, скошеної трави та іншого сміття.
- Очищення твердих поверхонь, таких як під'їзні шляхи та пішохідні доріжки.
- Прибирання листя з під'їзних шляхів і настилів.

ПРИМІТКА. Цей інструмент має використовуватись тільки за призначенням. Будь-яке інше використання вважається випадком використання не за призначенням.

УСТАНОВЛЕННЯ І ВИДАЛЕННЯ АКУМУЛЯТОРА

Використовуйте лише акумулятори та зарядні пристрої EGO, перелічені на рис. A2.

ПРИМІТКА. Повністю зарядіть акумулятор перед першим використанням.

Установлення

Сумістіть виступи на акумуляторі з кріпильними отворами та натисніть на акумуляторну батарею, доки не почуєте «кляцання» (рис. I1).

Від'єднання (рис. I2)

Натисніть кнопку звільнення акумулятора та витягніть акумуляторну батарею (рис. I2).

⚠ ПОПЕРЕДЖЕННЯ. Завжди звертайте увагу на розташування своїх ніг, дітей або домашніх тварин, коли натискаєте кнопку звільнення батареї. Падіння акумуляторної батареї може призвести до серйозної травми. НІКОЛИ не виймайте акумуляторну батарею у високо розташованому місці.

ЗАПУСК/ЗУПИНКА ІНСТРУМЕНТА

Лише тригер швидкості повітря

1. Натисніть тригер швидкості повітря, щоб увімкнути інструмент.

- Швидкість повітря з інструмента регулюється за допомогою тригера зі змінною швидкістю. Більший тиск на тригер підвищує швидкість повітря; менший тиск на тригер знижує швидкість повітря. Відрегулюйте швидкість відповідно до поставленого завдання.
- Відпустіть тригер швидкості повітря, щоб вимкнути інструмент.

Лише ручка регулятора швидкості/фіксатора

Інструмент можна зафіксувати на будь-якій швидкості за допомогою ручки регулювання швидкості/фіксації.

- Поверніть ручку регулювання швидкості/фіксації до сусіднього гачка плечового ремня, щоб запустити інструмент. Швидкість повітря буде збільшуватися під час повороту ручки, доки не буде досягнуто максимальної швидкості (MAX).
- Щоб зменшити швидкість повітря, поверніть регулятор швидкості/фіксатор у протилежному напрямку.
- Продовжуйте повертати регулятор швидкості/фіксатор до положення «Вимкнено» (O), щоб зупинити інструмент.

ПРИМІТКА. Якщо перед зняттям батареї регулятор швидкості/фіксатор не повернено до вимкненого положення, повітродувка не запуститься, якщо встановлено повністю заряджену батарею. Це захисна функція, яка допомагає запобігти випадковому запуску. Натисніть тригер швидкості повітря, щоб вимкнути захист і запустити повітродувку.

ПОРАДИ З ВИКОРИСТАННЯ ПОВІТРОДУВКИ (РИС. К)

Для використання інструмента як повітродувки дотримуйтесь інструкцій у розділі **ЗБИРАННЯ**, щоб установити пиლოსос у зборі.

- Щоб уникнути розсіпання сміття, обдувайте навколо зовнішніх країв купи сміття. Ніколи не дуйте прямо в центр купи.
- Щоб зменшити рівні шуму, обмежте кількість одиниць електричного обладнання, яке використовується одночасно.
- Використовуйте граблі та мітли, щоб сміття легко відставало від землі, перед видуванням. У пильних умовах, якщо доступна вода, злегка змочіть поверхню.
- Збережіть воду, використовуючи повітродувку замість шлангів для багатьох застосувань на газонах і в садах, включаючи такі ділянки, як жолоби, сітки, внутрішні дворики, грилі, ганки та сади.

- Стежте за дітьми, домашніми тваринами, відкритими вікнами чи свіжопомитими автомобілями та видавайте сміття безпечно.
- Після використання повітродувки або іншого обладнання прибирайте! Викидайте сміття належним чином.

ПОРАДИ ЩОДО ВИКОРИСТАННЯ ПИЛОСОСА (рис. L)

Для використання інструмента як пиლოსоса дотримуйтесь інструкцій у розділі **ЗБИРАННЯ**, щоб установити пиლოსос у зборі, мішок для листя та плечовий ремінь.

- Часто перевіряйте мішок для листя на предмет зносу або псування.
- Щоб уникнути підняття пилу, перед запуском інструмента повністю закрийте застілку-блискавку мішка.
- Спорожніть мішок із листям до того, як він заповниться.
- Для того щоб вода не потрапляла всередину інструмента, використовуйте інструмент для збирання мокрого листя із землі, але не з басейну.
- Не використовуйте поліетиленові пакети, тканину та інші предмети, які нелегко розірвати і які можуть легко залпугатися в інструменті.
- Не допускайте всмоктування в інструмент твердих матеріалів, таких як велика деревна стружка, метали, скло, камінці тощо.

ОБСЛУГОВУВАННЯ

⚠ ПОПЕРЕДЖЕННЯ. Використовуйте для технічного обслуговування лише ідентичні запчастини. Використання будь-яких інших частин створює небезпеку або може призвести до поломки виробу. Для гарантування безпеки та надійності всі ремонтні роботи повинен проводити кваліфікований технічний спеціаліст.

⚠ ПОПЕРЕДЖЕННЯ. Щоб уникнути серйозних травм, завжди виймайте акумуляторну батарею з виробу, перш ніж чистити або виконувати будь-яке технічне обслуговування.

ЗАГАЛЬНИЙ ТЕХНІЧНИЙ ДОГЛЯД

Не використовуйте розчинники для очищення пластмасових деталей. Більшість пластмас чутливі до різноманітних промислових розчинників і можуть бути ними пошкоджені. Для видалення бруду, пилу, мастила тощо користуйтеся чистою ганчіркою.

⚠ ПОПЕРЕДЖЕННЯ. Ніколи не допускайте контакту пластмасових частин із гальмівною рідиною, бензином, нафтопродуктами, проникаючими оліями і т. ін. Хімікати можуть пошкодити, ослабити або зруйнувати пластмасу, а це загрожує серйозними травмами.

ЗБЕРІГАННЯ

- Вийміть акумуляторну батарею з інструмента.
- Прибирайте всі сторонні матеріали з повітрязабірних отворів інструмента.
- Зберігайте в замкнутому місці, недоступному для дітей. Тримайте подалі корозійні агенти, такі як садові хімікати та солі проти ожеледі.

Захист довкілля



Не викидайте електричне обладнання, акумулятор і зарядний пристрій у побутові відходи!

Віднесіть цей виріб авторизованому переробнику й надайте його для роздільного збирання. Електроінструменти необхідно повернути в підприємство, що займається екологічно безпечною переробкою.

УСУНЕННЯ НЕСПРАВНОСТЕЙ

НЕСПРАВНІСТЬ	ПРИЧИНА	ВИРІШЕННЯ
Пилосос для прибирання листя не працює.	<ul style="list-style-type: none"> ■ Немає електричного контакту між пилососом для прибирання листя та акумуляторною батареєю. ■ Акумуляторна батарея розряджена. ■ Акумулятор або повітродувка занадто гарячі. ■ Інструмент не повністю зібрано. 	<ul style="list-style-type: none"> ■ Вийміть акумуляторну батарею, перевірте контакти та знову встановіть акумуляторну батарею. ■ Зарядіть акумуляторну батарею. ■ Остудіть акумулятор і пилосос для листя, доки температура не опуститься нижче 67 °C. ■ Дотримуйтесь інструкцій у розділі «Збирання», щоб повністю та правильно зібрати інструмент.
Швидкість повітря значно зменшується.	<ul style="list-style-type: none"> ■ Повітрязбірник заблоковано сміттям. ■ Надмірне зношення моторного вентилятора. ■ Забагато сміття всередині мішка для листя. 	<ul style="list-style-type: none"> ■ Вийміть акумулятори, очистьте від сміття. ■ Зверніться до сервісного центру EGO для ремонту. ■ Спорожніть мішок для листя, дотримуючись інструкцій у розділі Зняття та спорожнення мішка для листя в розділі ЗБИРАННЯ.

ГАРАНТІЯ

ПРАВИЛА ГАРАНТІЇ EGO

Відвідайте веб-сайт egopowerplus.eu для отримання повного тексту умов гарантійної політики EGO.

UK

ПРОЧЕТЕТЕ ВСИЧКИ ИНСТРУКЦИИ!



ПРОЧЕТЕТЕ РЪКОВОДСТВОТО НА ОПЕРАТОРА

⚠ ПРЕДУПРЕЖДЕНИЕ: За да осигурите безопасността и надеждността, всички поправки трябва да се извършват от квалифициран сервизен техник.

⚠ ПРЕДУПРЕЖДЕНИЕ: Уверете се, че сте прочели и осъзнали всички инструкции за безопасност в това Ръководство на оператора, включително всички известяващи символи за безопасност, като "ОПАСНОСТ", "ПРЕДУПРЕЖДЕНИЕ" и "ВНИМАНИЕ" преди да използвате този инструмент. Неспазването на всички инструкции изброени долу може да доведе до електрически удар, пожар и/или сериозно нараняване.

ЗАПАЗЕТЕ ВСИЧКИ ПРЕДУПРЕЖДЕНИЯ И ИНСТРУКЦИИ ЗА БЪДЕЩА СПРАВКА.

СИМВОЛИ ЗА БЕЗОПАСНОСТ

⚠ ПРЕДУПРЕЖДЕНИЕ: Експлоатацията на всички електрически инструменти, може да доведе до изхвърляне на чужди предмети към вашите очи, което може да доведе до сериозно нараняване на очите. Преди започване на работа с електрически инструмент, винаги носете предпазни очила със странична защита и визьор за цялото лице, когато е необходимо. Ние препоръчваме предпазна маска с широк визьор за употреба над очила или стандартни предпазни очила със странична защита.



Сигнал за безопасност



За намаляване на опасността от нараняване, потребителят трябва да прочете и разбере ръководството на оператора преди използването на този продукт.



Винаги носете защита за слуха и очите, когато работите с този продукт.



Дръжте околните настрани поне на 15 м.



Гарантирано ниво на мощност на звука.
Звуковите емисии към околната среда са в съответствие с директивите на европейската общност.



Този продукт е в съответствие с приложените директиви на ЕС.



Отпадъчните електрически продукти не трябва да бъдат изхвърляни заедно с домакинския отпадък. Отнесете го до упълномощено място за рециклиране.



Този продукт е в съответствие с приложеното законодателство на Великобритания.



Постоянен ток

IPX4 Защита от водни пръски



Напрежение

.../мин В минута



Милиметър



Скорост без натоварване

BG

256

56 ВОЛТА ЛИТИЕВО-ЙОННА БЕЗКАБЕЛНА ВЪЗДУХОДУВКА ПРАХОСМУКАЧКА — LV5000E

УКАЗАНИЯ ЗА БЕЗОПАСНА РАБОТА С МАШИНАТА

⚠ ПРЕДУПРЕЖДЕНИЕ: ПРОЧЕТЕТЕ ВСИЧКИ ПРЕДУПРЕЖДЕНИЯ ЗА БЕЗОПАСНОСТ, ИНСТРУКЦИИ, ИЛЮСТРАЦИИ И СПЕЦИФИКАЦИИ ПРЕДОСТАВЕНИ С ТАЗИ МАШИНА. Неспазването на всички инструкции изброени долу може да доведе до токов удар, пожар и/или сериозно нараняване.

ЗАПАЗЕТЕ ВСИЧКИ ПРЕДУПРЕЖДЕНИЯ И ИНСТРУКЦИИ ЗА БЪДЕЩА СПРАВКА.

Терминът "машина" в предупрежденията се отнася до вашата машина, захранвана от електрическата мрежа (с кабел) или от батерия (без кабел).

БЕЗОПАСНОСТ В РАБОТНАТА ЗОНА

- **Поддържайте работната зона чиста и добре осветена.** Разхвърляни или тъмни работни зони породжат инциденти.
- **Не работете с машини в експлозивна атмосфера, като например в присъствието на запалими течности, газ или прах.** Машините създават искри, които могат да възпламенят прах или изпарения.
- **Дръжте на разстояние децата и страничните лица, докато работите с машина.** Разсейването може да причини загуба на контрол.

ЕЛЕКТРИЧЕСКА БЕЗОПАСНОСТ

- **Щепселите на машината трябва да съответстват на контакта. Никога не модифицирайте щепсела по какъвто и да е начин. Не използвайте какъвто и да е адаптер със заземени (замасени) машини.** Немодифицираните щепсели и съответстващите контакти ще намалят риска от електрически шок.
- **Избягвайте контакт на тялото със заземени повърхности, като тръби, радиатори, кухненски печки и хладилници.** Съществува повишена опасност от токов удар, ако тялото Ви е заземено.
- **Не излагайте машините на дъжд или влажни условия.** Навлизането на вода в машината ще увеличи риска от токов удар.
- **Не злоупотребявайте с кабела. Никога не използвайте кабела за пренасяне, изтегляне или изключване от контакта на машината.** Дръжте кабела настрана от топлина, масло, остри ръбове или движещи се части. Повредени или оплетени кабели увеличават риска от електрически удар.
- **Когато работите с машина на открито, използвайте удължителен кабел подходящ за употреба на открито.** Употребата на кабел подходящ за употреба на открито намалява риска от електрически удар.

Ако работата с машината на влажно място е неизбежна, използвайте захранване със защитен прекъсвач на веригата при неизправно заземяване (GFCI). Употребата на GFCI намалява риска от токов удар.

ЛИЧНА БЕЗОПАСНОСТ

- **Внимавайте, гледайте какво правите и използвайте здрав разум, когато работите с машина. Не използвайте машината, когато сте уморени или когато сте под влияние на наркотици, алкохол и лекарства.** Момент невнимание по време на работата с машини може да доведе до сериозно нараняване.
- **Използвайте лични предпазни средства. Винаги носете защита за очите.** Защитно оборудване като прахови маски, не плъзгащи се безопасно обувки, твърда каска или защита за слуха използвана при подходящи условия ще намали риска от лични наранявания.
- **Предотвратете непреднамерено пускане. Уверете се, че ключът е в изключена позиция, преди да свържете към захранване и/или батерия, повдигайки или носейки машината.** Пренасянето на машини с пръст върху превключвателя или включването на машини, които са с включен превключвател, води до злополуки.
- **Извадете всеки регулиращ ключ или гаечен ключ, преди да включите машината.** Гаечен или друг ключ оставен закачен към въртящите се части на машината може да доведе до лично нараняване.
- **Не се протягайте. Запазете правилна стойка и баланс по всяко време.** Това позволява по-добър контрол върху машината в непредвидени ситуации.
- **Облечете се подходящо. Не носете свободни дрехи или накити. Дръжте косата и дрехите си далеч от движещи се части.** Свободни дрехи, накити или дълга коса, могат да бъдат хванати в движещите се части.
- **Ако са предоставени устройства за свързване на прахоуловител или съоръжения за събиране, уверете се, че те са свързани и са правилно използвани.** Употребата на устройства за прах може да намали рисковете свързани с прах.
- **Не позволявайте на рутината, придобита от честата употреба на машини, да позволи небрежност небрежни и игнориране на принципите за безопасност при работа с машина.** Небрежно действие може да причини сериозно нараняване за част от секундата.

ИЗПОЛЗВАНЕ И ГРИЖА ЗА МАШИНАТА

- **Не пресилвайте машината. Използвайте правилната машина за вашето приложение.** Правилната машина ще свърши работата по-добре и по-безопасно при капацитета за който е проектирана.
- **Не използвайте машината, ако превключвателят не го включва и изключва.** Машина, която не може да бъде контролирана от превключвателя, е опасна и трябва да бъде поправена.
- **Разкачете щепсела от захранването и/или батерията от машината, преди да извършите настройки, смяна на аксесоари или съхраняване на машината.** Подобни превантивни мерки за безопасност намаляват риска от случайно стартиране на машината.
- **Съхранявайте неизползваните машини далеч от обсега на деца и не позволявайте на лица, които не са запознати с машината или тези инструкции, да работят с машината.** Машините са опасни в ръцете на необучени потребители.
- **Поддържайте машини и аксесоари. Проверете за разместване или блокиране на подвижни части, счупване на части, и всякакви други условия, които могат да повлияят на работата на машината. Ако е повредена, поправете машината преди употреба.** Много злополуки се причиняват от лошо поддържани машини.
- **Поддържайте режещите машини остри и чисти.** Правилно поддържани режещи машини, с остри режещи ръбове е по-малко вероятно да се заклеят и по-лесно се контролират.
- **Използвайте машината, аксесоарите, найкрайниците на машината и т.н. в съответствие с тези инструкции, като вземете предвид условията на работа и вида работа, която ще бъде извършвана.** Употребата на машината за дейности различни от предназначенията може да доведе до опасни ситуации.
- **Дръжте ръкохватките и повърхностите за захващане сухи, чисти и без масло и грес.** Хлъзгавите ръкохватки и места за захващане не позволяват безопасно боравене и контролиране на машината при неочаквана ситуация.

ИЗПОЛЗВАНЕ И ГРИЖА ЗА АКУМУЛАТОРНАТА МАШИНА

- **Презареждайте само със зарядното устройство определено от производителя.** Зарядно устройство, което е подходящо за един вид акумулаторна батерия може да създаде опасност

от пожар, когато се използва с друга акумулаторна батерия.

- **Използвайте машините само със специфично обозначени акумулаторни батерии.** Използването на всяка друга акумулаторна батерия може да създаде риск от нараняване и пожар.
- **Когато акумулаторните батерии не са в употреба ги дръжте на разстояние от други метални обекти, като кламери, монети, ключове, пирони, отвертки или други малки метални предмети, които могат да направят свързване между клемите.** Свързване на късо на клемите на батерията може да причини изгаряне или пожар.
- **При условия на злоупотреба , може да се изхвърли течност от батерията. Избягвайте контакт. В случай на инцидентен контакт измийте с вода. Ако течността влезе в контакт с очите, потърсете допълнително медицинска помощ.** Течността изхвърлена от батерията може да причини раздразнение или изгаряния.
- **Не използвайте акумулаторна батерия или машина, които са повредени или модифицирани.** Повредените или модифицираните батерии може да проявят непредсказуемо поведение, което да доведе до пожар, експлозия или риск от нараняване.
- **Не излагайте батерията или машината на огън или прекомерна температура.** Излагане на огън или температури над 130 °C може да причини експлозия.
- **Следвайте всички инструкции за зареждане и не зареждайте батерията или машината извън температурния обхват зададен в инструкциите.** Неправилното зареждане или зареждане извън определения температурен обхват може да повреди батерията и да повиши риска от пожар.

ОБСЛУЖВАНЕ

- **Обслужвайте вашата машина чрез квалифициран техник, като използвате само идентични резервни части.** Това ще осигури поддържането на безопасност за машината.
- **Никога не поправяйте повредени акумулаторни батерии.** Ремонът на акумулаторни батерии трябва да бъде извършван от производителя или оторизиран сервис.

ПРЕДУПРЕЖДЕНИЯ ЗА БЕЗОПАСНОСТ ЗА ВЪЗДУХОДУВКАТА/ПРАХОСМУКАЧКАТА

- **Не използвайте машината в лоши метеорологични условия, особено, когато има риск от светкавици.** Това намалява риска да

бъдете ударен от светкавица.

- **Проверявайте често колектора за остатъци за износване или лошо състояние.** Износен или повреден колектор за събиране на отпадъци може да увеличи риска от нараняване.
- **Носете защита за очите и защита за ушите.** Подходящото защитно оборудване ще намали риска от нараняване.
- **Докато работите с машината, винаги носете нехлъзгащи се и защитни обувки. Не работете с машината, когато сте боси или носите отворени сандали.** Това намалява риска от нараняване на краката.
- **Не носете широки дрехи или предмети като шалове, връзки, вериги, вратовръзки и т.н., които могат да попаднат във входните отвори за въздух.** Завържете назад или покрийте дългата коса, за да се уверите, че не се увлича в отворите за въздух. Ако някой от тези предмети бъде увлечен във входните отвори за въздух, това може да увеличи риска от нараняване.
- **Дръжте околните хора надалеч, докато работите с машината.** Изхвърлените отломки могат да увеличат риска от нараняване.
- **Не използвайте в режим прахосмукачка без колектора за отпадъци поставен на място.** Изхвърлените предмети могат да увеличат риска от нараняване.
- **Никога не насочвайте дюзата на въздуходувката по посока на хора или домашни любимци или по посока на прозорците.** Бъдете изключително внимателни, когато издухвате отломки в близост до твърди предмети, като дървета, автомобили и стени, които могат да причинят рикошет на отломки. Изхвърлените предмети могат да повредят имущество и да увеличат риска от нараняване.
- **Не използвайте машината, за да издухвате или събирате нещо, което гори или дими, като цигари, кибрит или гореща пепел.** Тези източници на запалване могат да увеличат риска от пожар.
- **Не изсмуквайте вода или други течности и не потапяйте която и да е част от машината в течност.** Навлизането на вода в машината ще увеличи риска от електрически удар.
- **Не изсмуквайте камъни, чакъл, метал или счупено стъкло.** Колелото на вентилатора може да се повреди и да увеличи риска от нараняване.
- **Не докосвайте вентилатора, докато е в движение.** Изключете машината и изчакайте,

докато вентилаторът спре, преди да премахнете всяка част, която може да даде достъп до вентилатора. Това намалява риска от нараняване от движещи се части.

- **Когато почиствате заседнал материал или обслужвате машината, уверете се, че превключвателят на захранването е изключен.** Неочаквано стартиране на машината по време на почистване на заседнал материал или сервизно обслужване могат да доведат до сериозно нараняване на хора.

ПРОЧЕТЕТЕ ВСИЧКИ ИНСТРУКЦИИ ПРЕДИ УПОТРЕБА НА ТОЗИ ПРОДУКТ!

ОБУЧЕНИЕ

- **Никога не позволявайте на деца, лица с намалени физически, сетивни или умствени способности, или с липса на опит и познание, или на хора, които не са запознати с тези инструкции да използват машината.**
- **Операторът или потребителят е отговорен за инциденти или опасности, причинени на други хора или тяхната собственост.**

ПОДГОТОВКА

- **Тази машина може да бъде използвана при дъжд или мокри условия.** Изсушете машината след приключване на работата.
- **Преди употреба, проверете батериите или акумулаторната батерия за повреда.** Не използвайте уреда ако батериите или акумулаторната батерия са повредени.

ЕКСПЛОАТАЦИЯ

- **Тази машина може да бъде използвана при дъжд или мокри условия.** Изсушете машината след приключване на работата.
- **Снемете батериите или акумулаторните батерии:**
 1. Когато оставяте машината;
 2. Преди почистване на задръстване;
 3. Преди проверка, почистване и работа по уреда;
 4. Ако уредът започне да вибрира необичайно.
- **Винаги бъдете сигурни за стабилността на краката по наклон.**
- **Вървете, никога не бягайте.**
- **Поддържайте по всички въздушни отвори за охлаждане да няма остатъци.**

- Препоръка за работа с машината само в разумни часове – не рано сутринта или късно през нощта, когато хората могат да бъдат обезпокоени.
- Препоръка за леко навлажняване на повърхностите при прашни условия или употреба на приставка за влага.

⚠ ПРЕДУПРЕЖДЕНИЕ: Опасност от въртящи се части!

- Използвайте пълното удължение на дюзата на машината, така че въздушният поток да може да работи близо до земята.
- Да не се работи с машината близо до земята, близо до отворен прозорец и т.н.

ПОДДРЪЖКА И СЪХРАНЕНИЕ

- Дръжте всички гайки, болтове и винтове затегнати за да сте сигурни, че уредът е в безопасно работно състояние.
- Подменете износените или повредените части.
- Използвайте единствено оригинални резервни части и аксесоари.
- Съхранявайте уреда само на сухи места.

⚠ ПРЕДУПРЕЖДЕНИЕ: За да намалите риска от пожар, електрически шок или нараняване:

ВАЖНО

ПРОЧЕТЕТЕ ВНИМАТЕЛНО ПРЕДИ УПОТРЕБА.

ЗАПАЗЕТЕ ЗА БЪДЕЩА СПРАВКА.

- Не позволявайте машината да се използва като играчка. Изисква се повишено внимание, когато се използва от или близо до деца.
- Ако машината не работи според очакванията, била е изпусната, повредена или изпусната във вода, върнете я в сервизен център.
- Не поставяйте какъвто и да е предмет в който и да е от отворите. Не използвайте с блокиран който и да е от отворите; поддържайте по отворите да няма прах, мъх, коса и нищо, което може да намали въздушния поток.
- Подхождате с повишено внимание, когато почиствате по стъпала.
- Не оставяйте машината без наблюдение, когато батерията е поставена. Снемайте батерията, когато машината не се използва и преди обслужване.
- Не работете със зарядното устройство, включително с щепсела на зарядното

устройство или с клемите на зарядното устройство с влажни ръце.

- Не зареждайте акумулаторната батерия на открито.

⚠ ПРЕДУПРЕЖДЕНИЕ:

- Акумулаторната батерия, трябва да бъде премахната от уреда преди да бъде предаден за скрап.

- Батерията трябва да бъде безопасно изхвърлена като отпадък.

- НЕ предприемайте почистване на запушвания от уреда без първо да снемете батерията.
- Поддържайте машината и нейната ръкохватка сухи, чисти и без масло и грес. Винаги използвайте чист плат, когато почиствате. Никога не използвайте спирачна течност, бензин, продукти на нефтена основа или други силни разтворители за почистване на вашата машина. Следването на тези правила ще намали риска от загуба на управление и влошаване на качествата на пластмасата по корпуса.
- Батериите могат да експлодират в присъствието на източник на възпламеняване, като контролна лампа. За да намалите риска от сериозно нараняване, никога не използвайте каквито и да е безжични продукти в присъствието на открит огън. Експлодирала батерия може да изхвърли остатъци и химикали. Ако се изложите на това, незабавно изплакнете с вода.
- Никога не пускайте уреда без прикрепено подходящо оборудване. Винаги се уверявайте, че тръбата на машината е монтирана.
- Никога не използвайте машината близо до огън или нагорещена пепел. Употребата близо до огън или пепел може да разпространи пожари и да доведе до сериозно нараняване и/или имуществени щети.
- Никога не използвайте машината за разпространение на химикали, изкуствени торове или някакви други токсични вещества. Разпространението на тези вещества може да доведе до сериозно нараняване на оператора или околните.
- Запазете тези инструкции. Обръщайте се често към тях и ги използвайте за инструктиране на други, които може да използват тази машина. Ако заемете тази машина на някой друг, вземете му също и тези инструкции, за да се предотврати злоупотреба с продукта и вероятно нараняване.

ЗАПАЗЕТЕ ТЕЗИ ИНСТРУКЦИИ!

СПЕЦИФИКАЦИИ

Номинално напрежение		56 V ---
Въздуходувка	Максимален обем на въздуха	850 м ³ /ч
	Максимална скорост на въздуха	64 m/s (само с тръбата на въздуход-увката) 93 m/s (с конусна дюза)
	Максимална сила на издухване	15 N
Вместимост на торбата за листа		40 литра
Макс. Скорост на раздробяване		16 : 1
Тегло (без акумулаторна батерия и дюза)		5,8 kg (прахосмукачка) 4,2 kg (въздуходувка)
Препоръчителна работна температура		-15°C-40°C
Препоръчителна температура на съхранение		-20°C-70°C
Препоръчителна температура на зареждане		5°C-40°C
Измерено ниво на сила на звука L _{WA}		100 dB(A) K=1,9 dB(A)
Ниво на звуково налягане в работна позиция L _{PA}		88 dB(A) K=3 dB(A)
Гарантирано ниво на сила на звука L _{WA} (съгласно 2000/14/EC)		102 dB(A)
Вибрация a _h		Макс. 1,80 m/c ² K=1,5 m/c ²

- Декларираната обща стойност на вибрациите е измерена в съответствие със стандартния метод за тест и може да бъде използван за сравнение между два инструмента.

- Декларираният общ размер на вибрации може също така да бъде използван за предварителна оценка на влиянието.

БЕЛЕЖКА: Вибрационните емисии по време на действителната употреба на електрическия инструмент може да се различава от декларираната стойност. С цел да се защити оператора, потребителят трябва да носи ръкавици и антифони в действителни условия на работа.

ОПАКОВЪЧЕН ЛИСТ (ФИГ. А1)

ОПИСАНИЕ

ОПОЗНАЙТЕ СВОЯТА ПРАХОСМУКАЧКА ЗА ЛИСТА (ФИГ. А1)

1. Вакуумна дюза
2. Вакуумна тръба
3. Дръжка за носене на прахосмукачката
4. Решетка за всмукване на въздух
5. Предна ръкохватка
6. Бутон за освобождаване на батерията
7. Диск за скорост / заключване
8. Окачалка за раменния ремък
9. Главна ръкохватка
10. Спусък за скорост на въздуха
11. Торба за листа
12. Ремък за рамо
13. Електрически контакти
14. Резе
15. Тръба на въздуходувката
16. Конусна дюза

МОНТАЖ

⚠ ПРЕДУПРЕЖДЕНИЕ: Ако някои от частите са повредени или липсват, не работете с този продукт, докато частите не се подменят. Използването на този продукт с повредени или липсващи части може да доведе до сериозно лично нараняване.

⚠ ПРЕДУПРЕЖДЕНИЕ: Не се опитвайте да модифицирате този продукт или да създадете аксесоари, които не се препоръчват за употреба с този продукт. Всяка такава промяна или модификация е злоупотреба и може да доведе до опасни условия с последици от възможни сериозни наранявания.

⚠ ПРЕДУПРЕЖДЕНИЕ: За да предотвратите случайно стартиране, което може да причини сериозно нараняване винаги изваждайте акумулаторната батерия от машината, когато сглобявате частите.

БЕЛЕЖКА: Машината не може да бъде стартирана, докато тръбата на вентилатора или възелът на прахосмукачката и торбата за листа не бъдат напълно и правилно сглобени.

МОНТИРАНЕ/ДЕМОНТИРАНЕ НА ТРЪБАТА НА ВЪЗДУХОДУВКАТА

ЗА МОНТИРАНЕ (ФИГ. В1 И В2)

Подравнете жлеба и натиснете тръбата върху корпуса на въздуходувката, докато лостът за заключване на тръбата на въздуходувката се заключи.

B-1	Лост за заключване на тръбата на въздуходувката
-----	---

ЗА ДА ИЗВАДИТЕ (ФИГ. В3)

Натиснете лоста за заключване на въздуходувката, за да освободите резето, и след това извадете тръбата.

МОНТИРАНЕ/ИЗВАЖДАНЕ НА КОНУСНАТА ДЮЗА НА ВЪЗДУХОДУВКАТА

ЗА МОНТИРАНЕ (ФИГ. С1 И С2)

Подравнете жлеба на конусната дюза с копчето на тръбата и натиснете дюзата в тръбата, докато щракне на местото си.

ЗА ДА ИЗВАДИТЕ (ФИГ. С3)

Натиснете и задръжте бутона за освобождаване на дюзата, за да отключите резето и след това издърпайте направо дюзата от тръбата на въздуходувката.

СГЛОБЯВАНЕ/ИЗВАЖДАНЕ НА ВЪЗЕЛА НА ПРАХОСМУКАЧКАТА

ЗА СГЛОБЯВАНЕ НА ВАКУУМНАТА ДЮЗА (ФИГ. D)

БЕЛЕЖКА: След като вакуумната дюза и вакуумната тръба бъдат първоначално свързани, те стават един вакуумен блок, който не може да бъде разглобен.

Подравнете жлеба и натиснете дюзата върху вакуумната тръба, докато бутонът за заключване на вакуумната дюза се заключи на място.

ЗА СГЛОБЯВАНЕ НА ВЪЗЕЛА НА ПРАХОСМУКАЧКАТА

1. Натиснете лоста за заключване на вакуумната тръба, за да освободите решетката за всмукване

на въздух, и след това отворете решетката (Фиг. E1 и E2).

E-1	Лост за заключване на вакуумната тръба
-----	--

2. Подравнете двата повдигнати квадратни възела на възела на прахосмукачката с двата вдлъбнати квадратни канала на входа за въздух, както е показано на фиг. E3, за да извършите сглобяването.
3. Натиснете възела на прахосмукачката към входа за въздух, докато лостът за заключване на вакуумната тръба се заключи (Фиг. E4).
4. Притиснете решетката за всмукване на въздух към вакуумния модул (Фиг. E5).

ЗА СГЛОБЯВАНЕ НА ТОРБАТА ЗА ЛИСТА (ФИГ. F)

1. Подравнете жлеба и натиснете конектора на торбата за листа върху корпуса на прахосмукачката, докато лостът за заключване на торбата за листа се заключи.

F-1	Конектор на торбата за листа	F-3	Примка за торбата за листа
F-2	Лост за заключване на торбата за листа		

2. Закачете примката на торбата за листа на куката на вакуумния модул, както е показано на фиг. F.

ЗА ДА ИЗВАДИТЕ И ИЗПРАЗНИТЕ ТОРБАТА ЗА ЛИСТА (ФИГ. G1)

1. Отстранете примката за торбата за листа от куката на вакуумния модул.
2. Натиснете лоста за заключване на торбата за листа, за да освободите резето, и след това извадете торбата.
3. Отворете ципа, за да изпразните торбата за листа.

G-1	Цип
-----	-----

ЗА ПРЕМАХВАНЕ НА ВЪЗЕЛА НА ПРАХОСМУКАЧКАТА (ФИГ. G2 И G3)

1. Натиснете лоста за заключване на вакуумната тръба, за да отключите тръбата.
2. Отстранете възела на прахосмукачката.
3. Натиснете решетката за всмукване на въздух към входа за въздух, докато лостът за заключване се заключи.

МОНТИРАНЕ НА РЕМЪКА ЗА РАМО (ФИГ. Н)

Натиснете карабинките на ремъка, за да ги отворите и ги прикрепете към окачалките за ремъка за рамо във всеки край на машината.

Има два начина да освободите ремъка. Свалете го от рамото си директно или натиснете един от карабинките, за да освободите ремъка за рамо от окачалката за ремъка за рамо.

⚠ ПРЕДУПРЕЖДЕНИЕ: Когато носите ремъка, никое друго преносимо устройство не трябва да пречи на освобождаването и отстраняването на ремъка.

⚠ ПРЕДУПРЕЖДЕНИЕ: При възникване на аварийна ситуация, незабавно го свалете от рамото си, независимо по кой начин се намира ремъка.

⚠ ПРЕДУПРЕЖДЕНИЕ: Не трябва да използвате единичен и двоен ремък за рамо едновременно.

⚠ ПРЕДУПРЕЖДЕНИЕ: Не използвайте ремъка за рамо и връзката за раница ВН1000 EGO едновременно. Това ще възпрепятства бързото аварийно освобождаване на машината, което ще доведе до нараняване.

ЕКСПЛОАТАЦИЯ

⚠ ПРЕДУПРЕЖДЕНИЕ: Не позволявайте рутината с този продукт да ви направи непредпазливи. Запомнете, че невнимание за малка част от секундата е достатъчна за да нанесе сериозно нараняване.

⚠ ПРЕДУПРЕЖДЕНИЕ: Винаги носете защита за очите със странични предпазители заедно със защита за слуха. Ако не го направите може да доведе до изхвърляне на предмети към очите ви и други възможни сериозни наранявания.

⚠ ПРЕДУПРЕЖДЕНИЕ: За да предотвратите случайно стартиране, което би могло да причини сериозно нараняване, винаги отстранявайте акумулаторния комплект от инструмента, когато монтирате части, извършвате настройки, почиствате или когато не се използва.

⚠ ПРЕДУПРЕЖДЕНИЕ: Не използвайте други приставки или аксесоари, които не са препоръчани от производителя на този продукт. Употребата на приставки или аксесоари, които не са препоръчани, може да доведе до сериозно нараняване.

Преди всяка употреба проверявайте целия продукт за повредени, липсващи или разхлабени части, като винтове, гайки, болтове, капачки и др. Затегнете сигурно всички закопчалки и капачки и не работете с този продукт, докато всички повредени или липсващи части не бъдат подменени.

ПРИЛОЖЕНИЯ

Може да използвате този продукт за целите описани долу:

- Събиране на листа, окосена трева и други отпадъци.
- Почистване на твърди повърхности като алеи и пътеки.
- Поддържане на площадки и алеи без листа.

БЕЛЕЖКА: Машината трябва да се използва само за предназначените цели. Всяка друга употреба се смята за случай на злоупотреба.

МОНТИРАНЕ/ИЗВАЖДАНЕ НА АКУМУЛАТОРНАТА БАТЕРИЯ

Използвайте единствено акумулаторни батерии EGO и зарядни устройства изброени във фиг. А2.

БЕЛЕЖКА: Заредете напълно акумулаторната батерия преди първата употреба.

За да закрепите

Подравнете ребрата на акумулаторната батерия с монтажните жлебове и натиснете батерията надолу, докато чуете "щракване" (Фиг. I1).

За снемане (фиг. I2)

Натиснете бутона за освобождаване на батерията и издърпайте акумулаторната батерия навън (Фиг. I2).

⚠ ПРЕДУПРЕЖДЕНИЕ: Винаги внимавайте за местоположението на краката си, деца или домашни любимци, когато бутона за освобождаване на акумулаторната батерия. Може да възникне сериозно нараняване, ако акумулаторната батерия падне. НИКОГА не премахвайте акумулаторната батерия от високо.

СТАРТИРАНЕ / СПИРАНЕ НА МАШИНАТА

Спусък само за скорост на въздуха

1. Натиснете спусъка за скорост на въздуха, за да включите машината.
2. Скоростта на въздуха на машината се управлява със спусъка за промяна на скоростта. Повече натиск върху спусъка води до по-висока скорост на въздуха, по-малък натиск върху спусъка води до по-ниска скорост на въздуха. Регулирайте скоростта за да е подходяща за настоящата задача.
3. Освободете спусъка за скорост на въздуха за да изключите машината.

Диск само за скорост / заключване

Машината може да бъде заключена на някоя скорост с диска за скорост/заключване на скоростта.

1. Завъртете диска за скорост / заключване към близката окачалка за ремък за рамо, за да стартирате машината. Скоростта на въздуха ще се увеличава с завъртането на диска, докато достигне максимална скорост (MAX).
2. За да намалите скоростта на въздуха, завъртете диска за скорост/заключване в противоположната посока.
3. Продължете да въртите диска за скорост / заключване до изключена позиция (O), за да спрете машината.

БЕЛЕЖКА: Ако дискът за скорост / заключване не е завъртян обратно на изключена позиция преди да бъде отстранена батерията, въздуходувката няма да стартира, когато бъде поставена напълно заредена батерия. Това е защитна функция, която помага за предотвратяване на случайно стартиране. Натиснете спусъка, за да деактивирате защитата и да стартирате въздуходувката.

СЪВЕТИ ЗА ИЗПОЛЗВАНЕ НА ВЪЗДУХОДУВКАТА (Фиг. K)

За да използвате машината като въздуходувка, следвайте инструкциите в раздела **СГЛОБЯВАНЕ**, за да инсталирате възела на прахосмукачката.

- За да се предпазите от разхвърляне на остатъци, издухайте около външните граници на купчината с остатъци. Никога не духайте директно в центъра на купчината.
- За да намалите звуковото ниво, ограничете броя на частите от силовото оборудване, които се използват едновременно.
- Използвайте гребла и метли за снемане на остатъци преди издухване. При прашни условия, леко навлажнете повърхността, ако е налична вода.
- Спестете вода като използвате въздуходувки вместо маркучи за много приложения по ливадата и градината, включително зони като канали, екрани, дворове, грилове, веранди и градини.
- Внимавайте за деца, домашни любимци, отворени прозорци или скоро измити коли и издухвайте остатъците по безопасен начин.
- След използване на въздуходувки или друго оборудване, почистете! Изхвърляйте остатъците по подходящ начин.

СЪВЕТИ ЗА ИЗПОЛЗВАНЕ НА ПРАХОСМУКАЧКАТА (Фиг. L)

За да използвате машината като прахосмукачка, следвайте инструкциите в секцията **СГЛОБЯВАНЕ**, за да инсталирате възела на прахосмукачката, торбата за

листа и ремъка за рамо.

- Проверявайте често торбата за листа за износване или лошо състояние.
- За да избегнете вдигането на прах, затворете напълно ципа на торбата за листа, преди да стартирате машината.
- Изпразнете торбата за листа, преди да се напълни.
- За да предотвратите навлизането на вода в машината, използвайте машината, за да събирате мокри листа от земята, но не и от басейна.
- Не допускайте найлонови торбички, парцали и други предмети, които не са лесни за разкъсване и лесно могат да се заплетат вътре в машината.
- Не позволявайте твърди материали, като големи дървени стърготини, метали, стъкло, камъчета и т.н., да бъдат засмукани в машината.

ПОДДРЪЖКА

⚠ ПРЕДУПРЕЖДЕНИЕ: Когато обслужвате, използвайте само идентични резервни части. Употребата на каквито и да е други части може да създаде опасност или да предизвика повреда на продукта. За да осигурите безопасността и надеждността, всички поправки трябва да се извършват от квалифициран сервизен техник.

⚠ ПРЕДУПРЕЖДЕНИЕ: За да избегнете нараняване, винаги сменяйте акумулаторната батерия от продукта, когато почиствате или извършвате поддръжка.

ОБЩА ПОДДРЪЖКА

Избягвайте употребата на разтворители, когато почиствате пластмасовите части. Повечето пластмасови части са уязвими на повреда от различни видове разтворители в търговската мрежа и може да се повредят от тяхната употреба. Използвайте чист плат, за премахване на мръсотия, прах, масло и т.н.

⚠ ПРЕДУПРЕЖДЕНИЕ: Никога не позволявайте спирачна течност, бензин, петролни продукти, проникващи масла и т.н. да влизат в контакт с пластмасовите части. Химикалите могат да повредят, отслабят или разрушат пластмаса, което може да доведе сериозно нараняване.

СЪХРАНЕНИЕ

- Извадете акумулаторната батерия от машината.
- Почистете всички чужди материали от въздушните входове на машината.
- Съхранявайте на затворено пространство, което е недостъпно до деца. Пазете от корозивни препарати като градински химикали и сол за обезледяване.

Опазване на околната среда

Не изхвърляйте електрическо оборудване, използвана батерия или зарядно устройство в домакинския отпадък!

Отнесете продукта до упълномощена фирма за рециклиране и го предоставете за разделно събиране. Електрическите инструменти трябва да бъдат връщани в съоръжения за рециклиране съвместими с околната среда.

ОТСТРАНЯВАНЕ НА ПРОБЛЕМИ

ПРОБЛЕМ	ПРИЧИНА	РЕШЕНИЕ
Прахосмукачката за листа не работи.	<ul style="list-style-type: none"> ■ Няма електрически контакт между прахосмукачката за листа и акумулаторната батерия. ■ Акумулаторната батерия е изтощена. ■ Акумулаторната батерия или въздуходувката са твърде горещи. ■ Машината не е напълно сглобена. 	<ul style="list-style-type: none"> ■ Извадете акумулаторната батерия, проверете контактите и поставете наново акумулаторната батерия. ■ Заредете акумулаторната батерия. ■ Охладете акумулаторната батерия и прахосмукачката за листа до спадане на температурата под 67°C. ■ Следвайте инструкциите в раздела за сглобяване, за да сглобите машината напълно и правилно.
Скоростта на въздуха значителна намалява.	<ul style="list-style-type: none"> ■ Въздушният отвор е блокиран от остатъци. ■ Прекомерно износване на вентилатора на двигателя. ■ Твърде много отпадъци вътре в торбата за листа. 	<ul style="list-style-type: none"> ■ Извадете батериите, изчистете отломките. ■ Свържете се с сервизния център на EGO за ремонт. ■ Изпразнете торбата за листа, като следвайте инструкциите в главата За да извадите и изпразните торбата за листа в раздела СГЛОБЯВАНЕ.

ГАРАНЦИЯ

ГАРАНЦИОННА ПОЛИТИКА EGO

Моля, посетете уебсайта egopowerplus.eu за пълните срокове и условия по гаранционната политика на EGO.

PROČITAJTE UPUTE U CIJELOSTI!



PROČITAJTE KORISNIČKI PRIRUČNIK

⚠ UPOZORENJE: Radi sigurnosti i pouzdanosti, sve popravke treba obavljati kvalificirani servisni tehničar.

⚠ UPOZORENJE: Prije korištenja ovog alata, s razumijevanjem pročitajte sve sigurnosne upute u ovom priručniku za rukovatelja, uključujući sve sigurnosne simbole kao što su „**OPASNOST**“, „**UPOZORENJE**“ i „**OPREZ**“. Zanemarivanje uputa navedenih u nastavku može rezultirati strujnim udarom, požarom i/ili teškim tjelesnim ozljedama.

SACUVAJTE SVA UPOZORENJA I SVE UPUTE ZA BUDUĆE POTREBE.

SIGURNOSNI SIMBOLI

⚠ UPOZORENJE: Rukovanje električnim alatima može rezultirati odbacivanjem stranih predmeta u oči, što opet može izazvati teške ozljede očiju. Pri radu s električnim alatom nosite zatvorene zaštitne naočale ili zaštitne naočale s bočnim štitnicima, a prema potrebi i štitnik za cijelo lice. Preporučujemo nošenje sigurnosne maske proizvođača Wide Vision preko naočala ili nošenje standardnih zaštitnih naočala s bočnim štitnicima.



Upozorenje u vezi sigurnosti



Radi smanjenja opasnosti od ozljeda, prije uporabe ovog proizvoda korisnik treba s razumijevanjem pročitati ovaj korisnički priručnik.



Nosite zaštitu za sluh i oči kada koristite ovaj proizvod.



Sve promatrače držite na udaljenosti barem 15 m.



Zajamčena razina snage zvuka. Emisija buke u okruženju u skladu je sa smjericama Europske unije.



Ovaj proizvod je u skladu s važećim direktivama EU.



Otpadni električni proizvodi ne smiju se odlagati s otpadom iz kućanstva. Odnosite ih u ovlaštenu centar za recikliranje.



Ovaj je proizvod u skladu s važećim zakonodavstvom UK.



Istosmjerna struja

IPX4 Zaštita od prskajuće vode



V Napon

./min U minuti



mm Milimetar



n_0 Brzina bez opterećenja

OPĆA UPOZORENJA O SIGURNOSTI STROJA

⚠ UPOZORENJE: PROČITAJTE SVA UPOZORENJA, UPUTE, ILUSTRACIJE U VEZI SIGURNOSTI I TEHNIČKE PODATKE ISPORUČENE S OVIM STROJEM. Zanemarivanje svih uputa navedenih u nastavku može rezultirati strujnim udarom, požarom i/ili teškim ozljedama.

SAČUVAJTE SVA UPOZORENJA I SVE UPUTE ZA BUDUĆE POTREBE.

Pojam „stroj“ u upozorenjima odnosi se na stroj s napajanjem iz električne mreže (s kabelom) ili na stroj s napajanjem iz baterije (bez kabela).

SIGURNOST RADNOG PODRUČJA

- Radno područje održavajte čistim i dobro osvijetljenim. Pretrpana ili mračna područja izazivaju nesreće.
- Strojve ne upotrebljavajte u eksplozivnim okruženjima, primjerice u prisutnosti zapaljivih tekućina, plinova ili prašine. Strojevi stvaraju iskre koje mogu zapaliti prašinu ili isparenja.
- Udaljite djecu i promatrače za vrijeme rada sa strojem. Ometanja mogu rezultirati gubitkom kontrole nad alatom.

ELEKTRIČNA SIGURNOST

- Utikači stroja moraju odgovarati utičnici. Nemojte raditi preinake na utikaču. Utikače s adapterom nemojte koristiti s uzemljenim strojevima. Nepreinačeni utikači i odgovarajuće utičnice smanjit će rizik od električnog udara.
- Izbjegavajte kontakt tijela s uzemljenim površinama, kao što su slavine, radijatori, peći i hladnjaci. Rizik od električnog udara je veći ako je tijelo uzemljeno.
- Ne izlažite strojeve kiši ili vlažnim uvjetima. Prodiranje vode u stroj povećat će rizik od strujnog udara.
- Kabel nemojte upotrebljavati nepropisno. Kabel nemojte upotrebljavati za nošenje, povlačenje ili iskopčavanje stroja. Kabel držite podalje od topline, ulja, oštih rubova ili pokretnih dijelova. Oštećeni ili isprepleteni kabeli povećavaju rizik od strujnog udara.
- Kada strojem radite na otvorenom, upotrebljavajte produžni kabel prikladan za upotrebu na otvorenom. Upotrebom kabela prikladnog za upotrebu na otvorenom smanjuje se rizik od strujnog udara.
- Ako je rad sa strojem u vlažnom području neizbježan, upotrebljavajte napajanje s uređajem za zaštitu od dozemnog spoja. Uporabom uređaja za zaštitu od dozemnog spoja smanjuje se rizik od

električnog udara.

OSOBNJA SIGURNOST

- Budite oprezni, gledajte što radite i vodite se načelima zdravog razuma kada radite sa strojem. Nemojte raditi sa strojem ako ste umorni ili pod utjecajem opojnih sredstava, alkohola ili lijekova. Trenutak nepažnje tijekom rada s strojem može dovesti do teške tjelesne ozljede.
 - Upotrebljavajte osobnu zaštitnu opremu. Nosite zaštitu za oči. Zaštitna oprema poput maske za zaštitu od prašine, protuklizne sigurnosne obuće, kacige ili zaštite za sluh upotrijebljena za prikladne uvjete smanjit će tjelesne ozljede.
 - Spriječite nenamjerno pokretanje. Prije spajanja na izvor napajanja i/ili baterijski modul, podizanja ili nošenja stroja provjerite nalazi li se sklopka u isključenom položaju. Nošenje strojeva s prstom na sklopki ili priključivanje na napajanje strojeva koji imaju uključenu sklopku izaziva nesreće.
 - Prije uključivanja stroja uklonite sve ključeve za podešavanje ili ključeve za stezanje. Ako se ključ za stezanje ili za podešavanje ostavi na rotacijskom dijelu stroja, to može rezultirati tjelesnim ozljedama.
 - Nemojte se naginjati preko alata. Cijelo vrijeme održavajte propisno držanje i ravnotežu. To će omogućiti bolju kontrolu nad strojem u neočekivanim situacijama.
 - Obucite se prikladno. Nemojte nositi široku odjeću i nakit. Kosu i odjeću držite podalje od pokretnih dijelova. Pokretni dijelovi mogu zahvatiti široku odjeću, nakit ili dugu kosu.
 - Ako su uređaji opremljeni priključkom za odvod i sakupljanje prašine, pobrinite se da se propisno spoje i upotrebljavaju. Uporabom uređaja za sakupljanje prašine mogu se smanjiti opasnosti koje se odnose na prašinu.
 - Nemojte dopustiti da vas poznavanje stroja stečeno čestom upotrebom učini samodopadnim te da ignorirate sigurnosna načela za stroj. Nemarne radnje mogu rezultirati teškim ozljedama u djeliću sekunde.
- ### KORIŠTENJE I NJEGA STROJEVA
- Nemojte preopterećivati stroj. Koristite odgovarajući stroj za primjenu. Propisan stroj bolje će i sigurnije obaviti zadatak brzinom za koju je konstruiran.
 - Ne upotrebljavajte stroj ako ga sklopkom ne možete uključiti i isključiti. Svaki stroj koji ne možete sklopkom uključiti i isključiti je opasan i mora se popraviti.

- **Prije podešavanja, mijenjanja nastavaka ili spremanja stroja odvojite utikač od izvora napajanja i/ili iz alata izvadite baterijski modul.** Takve preventivne sigurnosne mjere smanjuju rizik od slučajnog pokretanja stroja.
- **Neaktivan stroj čuvajte izvan dohvata djece i ne dopustite osobama koje nisu upoznate s strojem ili ovim uputama da upravljaju strojem.** Strojevi su opasni u rukama neobučanih korisnika.
- **Održavajte strojeve i pribor.** Provjerite da pokretni dijelovi nisu necentrirani ili zaglavljani, da nema polomljenih dijelova i drugih stanja koja mogu utjecati na rad stroja. Ako je stroj oštećen, popravite ga prije uporabe. Mnoge nezgode su nastale upravo zbog slabog održavanja stroja.
- **Rezne strojeve održavajte oštirim i čistima.** Propisno održavani rezni strojevi s oštrim reznim bridovima manje su sklони zaglavljivanju i njima se lakše upravlja.
- **Stroj, pribor, strojne nastavke i sl., upotrebljavajte u skladu s ovim uputama, uzimajući u obzir radne uvjete i zadatak koji je potrebno obaviti.** Upotreba stroja za radnje za koje nije namijenjen može rezultirati opasnim situacijama.
- **Rukohvate i površinu rukohvata održavajte suhim, čistim i očišćenim od ulja i masti.** Skliske ručke i površine rukohvata onemogućuju sigurno rukovanje i upravljanje strojem u neočekivanim situacijama.

KORIŠTENJE I NJEGA BATERIJSKOG STROJA

- **Punjenje obavljajte samo s punjačem kojeg je naveo proizvođač.** Punjač koji je prikladan za jedan tip baterijskog modula može izazvati rizik od požara ako ga se upotrebljava s drugim baterijskim modulom.
- **Strojeve upotrebljavajte samo s izričito propisanim baterijskim modulima.** Upotreba drugih baterijskih modula može izazvati rizik od ozljeda i požara.
- **Kad se baterijski modul ne upotrebljava, držite ga podalje od drugih metalnih predmeta poput spajalica za papir, kovanica, ključeva, čavala, vijaka ili drugih malih metalnih predmeta koji mogu međusobno spojiti kontakte.** Kratko spajanje baterijskih kontakata može prouzročiti opekline ili požar.
- **U slučaju neprimjerene uporabe, baterija može izbaciti tekućinu; izbjegavajte kontakt.** Ako slučajno dođe do doticaja, mjesta doticaja isperite vodom. Ako tekućina dođe u doticaj s očima, dodatno potražite liječničku pomoć. Tekućina koju izbaci baterija može prouzročiti nadražaj kože ili opekline.
- **Ne upotrebljavajte baterijski modul ili stroj koji je oštećen ili preinačen.** Oštećene ili preinačene baterije mogu pokazati nepredvidivo ponašanje koje može rezultirati požarom, eksplozijom ili opasnošću od ozljeda.
- **Baterijski modul ili stroj ne izlažite vatri ili visokim temperaturama.** Izlaganje vatri ili temperaturi višoj od 130 °C može prouzročiti eksploziju.
- **Pridržavajte se svih uputa za punjenje, a baterijski modul ili stroj nemojte puniti izvan raspona temperature navedenog u uputama.** Nepropisno punjenje ili punjenje pri temperaturama izvan okvira određenog raspona može oštetiti bateriju i povećati opasnost od požara.

SERVISIRANJE

- **Servisiranje stroja prepustite kvalificiranom osoblju za popravak koje koristi samo identične zamjenske dijelove.** Time će se osigurati održavanje sigurnosti stroja.
- **Ne servisirajte oštećene baterijske module.** Servisiranje baterijskog modula smiju obavljati samo proizvođač ili ovlašteni serviseri.

UPOZORENJA O SIGURNOSTI PUHALA/USISAVAČA

- **Ne upotrebljavajte stroj u lošim vremenskim uvjetima, posebno kada postoji opasnost od grmljavine.** Time ćete smanjiti opasnost od udara groma.
- **Često provjeravajte da na skupljaču otpada nema znakova istrošenosti ili oštećenja.** Istrošen ili oštećen hvatač otpadaka povećava opasnost od ozljeda.
- **Nosite zaštitu za oči i zaštitu za uši.** Odgovarajuća zaštitna oprema smanjit će rizik od tjelesnih ozljeda.
- **Dok upravljate strojem, nosite protukliznu i zaštitnu obuću.** Nemojte rukovati strojem kada ste bos ili kada nosite otvorene sandale. Time se smanjuje rizik od ozljeda stopala.
- **Nemojte nositi široku odjeću ili predmete kao što su šalovi, uzice, lanci, kravate itd. koji bi mogli biti uvučeni u otvore za zrak.** Zavežite ili pokrijte dugu kosu kako se ne bi uvukla u otvore za zrak. Ako se bilo koji od ovih predmeta uvuče u otvore za zrak, to može povećati rizik od tjelesnih ozljeda.
- **Udaljite promatrače dalje dok upravljate strojem.** Odbačeni ostaci mogu povećati rizik od tjelesnih ozljeda.
- **Nemojte upotrebljavati u načinu rada usisavača bez postavljenog hvatača otpadaka.** Odbačeni predmeti mogu povećati opasnost od tjelesnih ozljeda.

- Nemojte usmjeravati mlaznicu puhalu u smjeru ljudi, kućnih ljubimaca ili u smjeru prozora. Budite posebno oprezni kada ispuhujete ostatke u blizini čvrstih predmeta poput drveća, automobila i zidova koji mogu uzrokovati povratni udar ostataka. Bačeni predmeti mogu oštetiti imovinu i povećati rizik od tjelesnih ozljeda.
- Nemojte upotrebljavati stroj za skupljanje ili otpuhivanje bilo čega što gori ili se dimi, poput cigareta, šibica ili vrućeg pepela. Ovi zapaljujući izvori mogu povećati rizik od požara.
- Ne usisavajte vodu ili druge tekućine i nemojte uranjati bilo koji dio stroja u tekućinu. Prodiranje vode u stroj povećava opasnost od električnog udara.
- Nemojte usisavati kamenje, šljunak, metal ili slomljeno staklo. Istrošen ili oštećeno kolo ventilatora može povećati opasnost od tjelesnih ozljeda.
- Ne dirajte ventilator dok je u pokretu. Isključite stroj i pričekajte da se ventilator zaustavi prije uklanjanja bilo kojeg dijela koji bi mogao omogućiti pristup ventilatoru. Time se smanjuje rizik od ozljeda pokretnim dijelovima.
- Kada uklanjate zaglavljani materijal ili servisirate stroj, provjerite je li sklopka isključena. Neočekivano pokretanje stroja prilikom odstranjivanja zagavljenog materijala može prouzročiti teške tjelesne ozljede.

PROČITAJTE SVE UPUTE PRIJE UPORABE OVOG PROIZVODA!

BUKA

- Nemojte dopustiti da djeca i osobe ograničenih fizičkih, osjetilnih ili metalnih sposobnosti ili nedovoljnog iskustva i znanja ili osobe koje nisu upoznate s ovim uputama upotrebljavaju ovaj stroj.
- Rukovatelj ili korisnik odgovoran je za nesreće ili opasnosti za druge osobe ili njihovu imovinu.

PRIPREMA

- Ovaj stroj može se upotrebljavati po kiši i u mokrim uvjetima. Osušite stroj nakon završetka rada.
- Prije uporabe provjerite jesu li baterije ili baterijski moduli oštećeni. Nemojte upotrebljavati uređaj ako su baterije ili baterijski modul oštećeni.

RAD

- Ovaj stroj može se upotrebljavati po kiši i u mokrim uvjetima. Osušite stroj nakon završetka rada.
- Odspojite baterije ili baterijske module:
 1. kada ostavljate stroj bez nadzora;

2. prije uklanjanja blokade;
3. prije provjere, čišćenja ili rada na stroju;
4. ako uređaj počne neobično vibrirati.

- Svakako osigurajte dobro uporište na kosinama.
- Hodajte, nemojte trčati.
- Svi ulazi zraka za hlađenje moraju biti očišćeni od nečistoća.
- Preporučujemo da stroj upotrebljavate samo u razumna doba dana – ne rano ujutro ili kasno navečer kada možete smetati ljudima.
- U prašnjavim uvjetima preporučujemo blago navlažiti površine ili uporabu priključka raspršivača.

⚠ UPOZORENJE: Opasnost od rotirajućih dijelova!

- Upotrebljavajte cijeli nastavak s mlaznicom stroja kako bi zrak strujao blizu tla.
- Stroj nemojte upotrebljavati u blizini otvorenih prozora i sl.

ODRŽAVANJE I SKLADIŠTENJE

- Sve matice, svornjake i vijke održavajte pritegnutima kako biste bili sigurni da je uređaj u sigurnom radnom stanju.
- Zamijenite istrošene ili oštećene dijelove.
- Upotrebljavajte samo originalne zamjenske dijelove i pribor.
- Držite uređaj na suhom mjestu.

⚠ UPOZORENJE: Radi smanjenja opasnosti od požara, strujnog udara ili ozljeda:

VAŽNO

POZORNO PROČITAJTE PRIJE UPORABE.

SAČUVAJTE ZA BUDUĆE POTREBE.

- Nemojte dozvoliti da se stroj upotrebljava kao igračka. Potreban je strogi nadzor ako ga upotrebljavaju djeca ili ako se upotrebljava u blizini djece.
- Ako stroj ne radi propisno, ako je ispalo, oštećeno ili ako je palo u vodu, odnesite ga u servisni centar.
- Nemojte stavljati predmete u otvore uređaja. Nemojte upotrebljavati uređaj ako su otvori blokirani. Otvore održavajte očišćenim od prašine, vlakana, dlaka i svega ostalog što može smanjiti protok zraka.
- Budite posebno oprezni kada čistite na stepeništu.

- Stroj nemojte ostavljati bez nadzora nakon umetanja utikača baterije. Izvadite bateriju kada ne upotrebljavate stroj i prije servisiranja.
- Punjačem, utikačem i priključcima punjača ne rukujte mokrim rukama.
- Baterijski modul nemojte puniti na otvorenom prostoru.

⚠ UPOZORENJE:

- Prije odlaganja uređaja na otpad, baterijski modul mora se izvaditi iz uređaja.
- Bateriju se mora zbrinuti na siguran način.

- **NEMOJTE** pokušavati ukloniti začepljenja iz uređaja ako prije toga niste izvadili bateriju.
- Stroj i njegove drške održavajte u suhom i čistom stanju, bez tragova ulja i masti. Za čišćenje upotrebljavajte čistu krpu. Za čišćenje stroja nemojte upotrebljavati kožione tekućine, benzin, proizvode na bazi nafte ili jaka otapala. Pridržavanjem ovog pravila smanjit će se opasnost od gubitka kontrole nad uređajem i trošenje plastičnih dijelova kućišta.
- Baterije mogu eksplodirati u prisutnosti izvora paljenja poput pomoćnog plamenika. Radi smanjenja opasnosti od teških tjelesnih ozljeda bežični proizvod nemojte upotrebljavati u prisutnosti otvorenog plamena. Eksplozivna baterija može odbaciti krhotine i kemikalije. U slučaju izlaganja zahvaćena mjesta odmah isperite vodom.
- Uređaj nemojte pokretati bez propisno pričvršćene opreme. Provjerite je li postavljena cijev stroja.
- Nemojte upotrebljavati stroj u blizini vatre ili vrućeg pepela. Uporaba u blizini vatre ili pepela može izazvati požar i rezultirati teškim povredama i/ili materijalnim štetama.
- Stroj nemojte upotrebljavati za raspršivanje kemikalija, gnojiva ili nekih drugih otrovnih tvari. Raspršivanje takvih tvari može rezultirati teškim povredama rukovatelja ili drugih prisutnih osoba.
- Sačuvajte ove upute. Uputama se koristite često i upotrebljavajte ih za upućivanje drugih osoba koje mogu upotrebljavati ovaj stroj. Ako ovaj stroj nekom posudite, priložite i ove upute radi sprečavanja nepropisne uporabe proizvoda i mogućih ozljeda.

SACUVAJTE OVE UPUTE!

TEHNIČKI PODACI

Nazivni napon		56 V ---
Puhalo	Maksimalna količina zraka	850 m ³ /h
	Maksimalna brzina zraka	64 m/s (samo s cijevi puhala)
		93 m/s (s konusnom mlaznicom)
	Maksimalna snaga puhanja	15 N
Kapacitet vreće za lišće		40 litara
Maksimalno Brzina usitnjavanja		16 : 1
Težina (bez baterijskog modula i mlaznice)		5,8 kg (usisavač) 4,2 kg (puhala)
Preporučena radna temperatura		-15°C-40°C
Preporučena temperatura skladištenja		-20°C-70°C
Preporučena temperatura punjenja		5°C-40°C
Izmjerena razina zvučne snage L _{WA}		100 dB(A) K=1,9 dB(A)
Razina zvučnog tlaka na mjestu rada L _{PA}		88 dB(A) K=3 dB(A)
Zajamčena razina zvučne snage L _{WA} (izmjereno u skladu s 2000/14/EZ)		102 dB(A)
Vibracije a _h		Maks. 1,80 m/s ² K=1,5 m/s ²

- Deklarirane ukupne vrijednosti vibracija izmjerene su u skladu sa standardnom metodom ispitivanja i mogu se koristiti za usporedbu jednog alata s drugim.
- Deklarirane ukupne vrijednosti vibracija mogu se koristiti i u preliminarnoj procjeni izloženosti.

NAPOMENA: Emisija vibracija tijekom aktualnog korištenja električnog alata može se razlikovati od deklarirane vrijednosti u kojoj se alat koristi; Radi zaštite rukovatelja korisnik treba nositi rukavice i štitnike za uši u aktualnim uvjetima korištenja.

OTPREMNICA (SL. A1)

OPIS

UPOZNAJTE SVOJ USISAVAČ ZA LIŠĆE (SLIKA A1)

1. Mlaznica usisavača
2. Cijev za usisavanje
3. Ručka za nošenje sklopa usisavača
4. Rešetka ulaznog otvora za zrak
5. Prednja drška
6. Gumb za oslobađanje baterije
7. Regulator brzine s fiksiranjem
8. Kuka za naramenicu
9. Glavna drška
10. Okidač brzine zraka
11. Vreća za lišće
12. Naramenica
13. Električni kontakti
14. Zasun
15. Cijev puhala
16. Konusna mlaznica

SASTAVLJANJE

⚠ UPOZORENJE: Ako je bilo koji dio oštećen ili ako nedostaje, nemojte upotrebljavati ovaj proizvod dok se ne zamijene dijelovi. Upotreba ovog proizvoda oštećenih dijelova ili dijelova koji nedostaju može rezultirati teškim tjelesnim ozljedama.

⚠ UPOZORENJE: Ne pokušavajte obavljati preinake na ovom proizvodu ili raditi dodatnu opremu koja nije preporučena za uporabu s ovim proizvodom. Sve takve izmjene ili preinake predstavljaju nepropisnu uporabu i mogu rezultirati opasnim stanjima koja mogu dovesti do mogućih teških tjelesnih ozljeda.

⚠ UPOZORENJE: Kako biste spriječili slučajno pokretanje koje može prouzročiti teške tjelesne ozljede, baterijski modul uklonite iz stroja kada sastavljate dijelove.

HR

OBAVIJEST: Stroj se ne može pokrenuti sve dok cijev puhala ili sklop usisavača i vreća za lišće nisu potpuno i pravilno montirani.

MONTIRANJE/UKLANJANJE CIJEVI PUHALA

SASTAVLJANJE (SLIKE B1 I B2)

Poravnajte utor i gurajte cijev na kućište puhala dok se

ručica za fiksiranje cijevi puhala ne zabravi.

B-1	Ručica za fiksiranje cijevi puhala
-----	------------------------------------

UKLANJANJE (SLIKA B3)

Gurnite ručicu za fiksiranje puhala kako biste oslobodili zasun, a zatim uklonite cijev.

SASTAVLJANJE/UKLANJANJE KONUSNE MLAZNICE PUHALA

MONTIRANJE (SLIKE C1 I C2)

Poravnajte utor u konusnoj mlaznici s izbočinom na cijevi i gurajte mlaznicu na cijev sve dok ne sjedne na svoje mjesto.

UKLANJANJE (SLIKA C3)

Pritisnite i držite gumb za oslobađanje mlaznice kako biste deaktivirali zasun, za povucite mlaznicu ravno s cijevi puhala.

SASTAVLJANJE/UKLANJANJE SKLOPA USISAVAČA

SASTAVLJANJE MLAZNICE USISAVAČA (SLIKA D)

OBAVIJEST: Kada se prvi put spoje mlaznica usisavača i cijev usisivača, oni će postati sklop usisivača koji se više ne može razdvojiti.

Poravnajte utor i gurnite mlaznicu na cijev usisavača tako da gumb za fiksiranje mlaznice usisavača sjedne na mjesto.

SASTAVLJANJE SKLOPA USISAVAČA

1. Gurnite ručicu za fiksiranje cijevi usisavača tako da oslobodite rešetku ulaznog otvora za zrak, a zatim otvorite rešetku (slike E1 i E2).

E-1	Ručica za fiksiranje cijevi usisavača
-----	---------------------------------------

2. Poravnajte dva podignuta četvrtasta kuta na sklopu usisavača s dva udubljena četvrtasta utora na ulazu za zrak kako je prikazano na slici E3 da biste aktivirali sklop.
3. Pritisnite sklop usisavača prema ulazu za zrak tako da se ručica za fiksiranje cijevi usisavača zabravi (slika E4).
4. Pritisnite rešetku ulaznog otvora za zrak na sklop usisavača (slika E5).

SASTAVLJANJE VREĆICE ZA LIŠĆE (SLIKA F)

1. Poravnajte utor i gurnite priključak vrećice za lišće na kućište usisavača dok se ručica za fiksiranje vrećice za lišće ne zabravi.

F-1	Priključak vrećice za lišće	F-3	Kuka vreće za lišće
F-2	Ručica za fiksiranje vrećice za lišće		

- Objesite omču vreće za lišće na kuku na sklopu usisavača kao što je prikazano na slici F.

UKLANJANJE I PRAŽNENJE VREĆICE ZA LIŠĆE (SLIKA G1)

- Uklonite omču vreće za lišće s kuke na sklopu usisavača.
- Gurnite ručicu za fiksiranje vrećice za lišće kako biste oslobodili zasun, a zatim uklonite vrećicu.
- Otvorite patentni zatvarač kako biste ispraznili vrećicu za lišće.

G-1	Patentni zatvarač
-----	-------------------

UKLANJANJE SKLOPA USISAVAČA (SLIKE G2 I G3)

- Gurnite ručicu za fiksiranje cijevi usisavača tako da otključate cijev.
- Uklonite sklop usisavača.
- Pritisnite rešetku za dovod zraka prema ulaznom otvoru za zrak tako da se ručica za fiksiranje zabravi.

MONTIRANJE RAMENE TRAKE (SLIKA H)

Pritisnite karabinere trake kako biste ih otvorili i pričvrstili na kuke ramene trake na svakom kraju stroja.

Postoje dva načina za oslobađanje naramenice. Skinite ga izravno s ramena ili pritisnite jedan od karabinera kako biste odvojili ramenu traku s kuke za ramene trake.

UPOZORENJE: Kada nosite naramenicu, nijedno drugo nosivo sredstvo ne smije ometati otpuštanje i uklanjanje naramenice.

UPOZORENJE: U slučaju nužde, naramenicu odmah skinite s ramena, bez obzira na koji je način postavljena.

UPOZORENJE: Ne biste trebali istodobno koristiti jednostruku i dvostruku traku za rame.

UPOZORENJE: Ne koristite ramenu traku i kariku za ruksak BH1000 EGO u isto vrijeme. Tako se sprječava brzo otpuštanje stroja, što može rezultirati tjelesnim ozljedama.

RAD

UPOZORENJE: Nemojte biti nepažljivi zato što ste upoznati s načinom rada proizvoda. Zapamtite da je samo jedan djelić sekunde nepažnje dovoljan za nastanak tjelesne ozljede.

UPOZORENJE: Nosite zaštitu za oči s bočnim štitnicima i zaštitu za sluh. Nepostupanje u skladu s tim može rezultirati odbacivanjem predmeta u oči i drugim mogućim teškim ozljedama.

UPOZORENJE: Kako biste spriječili slučajno pokretanje koje bi moglo prouzročiti teške tjelesne ozljede, prije montiranja dijelova, podešavanja, čišćenja ili nekorištenja, uklonite baterijski modul iz alata.

UPOZORENJE: Nemojte upotrebljavati priključke ili pribor koje nije preporučio proizvođač ovog proizvoda. Upotreba nastavaka ili pribora koji nije preporučen, može dovesti do ozbiljnih tjelesnih ozljeda.

Prije svake upotrebe, pregledajte da na stroju nema oštećenih, nedostajućih ili olabavljenih dijelova kao što su vijci, matice i poklopci. Čvrsto pritegnite sve elemente za pričvršćenje i kapice i ne upotrebljavajte proizvod dok se svi dijelovi koji nedostaju ili oštećeni dijelovi, ne zamijene.

PRIMJENE

Proizvod možete koristiti za svrhe navedene u nastavku:

- Skupljanje lišća, pokošene trave i drugih otpadaka.
- Čišćenje tvrdih površina kao što su prometnice za vozila i nogostupi.
- Uklanjanje lišća s terasa i prilaza za vozila.

OBAVIJEST: Stroj se smije upotrebljavati samo za prethodno opisano namjenu. Svaka druga uporaba smatrat će se nepropisnom uporabom.

POSTAVLJANJE I UKLANJANJE BATERIJSKOG MODULA

Upotrebljavajte samo s baterijskim modulima i punjačima tvrtke EGO navedenima na slici A2.

NAPOMENA: Baterijski modul napunite do kraja prije prve uporabe.

Postavljanje

Poravnajte izbočenja baterije s montažnim utorima i utiskujte baterijski modul prema dolje dok ne začujete prepoznatljivi zvuk (slika I1).

Odvajanje (slika I2)

Pritisnite gumb za oslobađanje baterije i izvucite baterijski modul (slika I2).

⚠ UPOZORENJE: Prije pritiska gumba za oslobađanje baterije, uvjerite se jesu li vaša stopala, djeca i domaće životinje na sigurnoj udaljenosti. Ako baterijski modul ispadne, može doći do teških ozljeda. NEMOJTE vaditi baterijski modul kada ste u povišenom položaju.

POKRETANJE/ZAUSTAVLJANJE STROJA

Samo okidač brzine zraka

1. Utisnite okidač brzine zraka želite li uključiti stroj.
2. Brzinu zraka stroja određuje okidač s regulacijom brzine. Što jače pritisnete okidač, veća će biti brzina puhanja - ako ga pritisnete slabije, manja će biti i brzina puhanja. Prilagodite brzinu zadatku.
3. Otpustite okidač brzine zraka želite li isključiti puhalo.

Samo regulator brzine s fiksiranjem

Stroj možete fiksirati na bilo kojoj brzini pomoću regulatora brzine s fiksiranjem.

1. Okrenite regulator brzine s fiksiranjem prema obližnjoj kuki za ramenu traku kako biste pokrenuli stroj. Brzina zraka povećava se s okretanjem regulatora dok ne postigne najveću brzinu (MAX).
2. Za smanjenje brzine zraka okrenite regulator brzine s fiksiranjem u suprotnu stranu.
3. Nastavite okretati regulator brzine s fiksiranjem u isključen položaj (O) želite li zaustaviti stroj.

OBAVIJEST: Ako regulator brzine s fiksiranjem ne vratite u isključeni položaj prije uklanjanja baterije, puhalo se neće pokrenuti nakon ugradnje napunjene baterije. To je zaštitna funkcija koja onemogućuje nehотиčno pokretanje. Utisnite okidač regulatora brzine ako želite deaktivirati zaštitu i pokrenuti puhalo.

SAVJETI ZA KORIŠTENJE PUHALA (slika K)

Želite li koristiti stroj kao puhalo, slijedite upute u odjeljku **SASTAVLJANJE** za ugradnju sklopa usisavača.

- Kako ne bi došlo do rasipanja tvari, pušite oko vanjskih rubova hrpe ostataka. Nemojte puhati izravno u središte hrpe.
- Ako želite smanjiti razinu buke, ograničite broj komada električne opreme koja se istodobno upotrebljava.
- Prije ispuhivanja koristite grablje i metle kako biste otpustili naslage i nečistoće. U prašnjavim uvjetima, lagano navlažite površinu ako vam je dostupna voda.
- Štedite vodu, za održavanje travnjaka, vrtova i područja kao što su žljebovi, zaštitne pregrade, vrtni namještaj i trijemovi koristite električna puhalo, a ne crijeva.
- Pazite na djecu, domaće životinje, otvorene prozore i svježe oprane automobile – ispušite nečistoće na siguran način.

- Nakon korištenja puhalo ili druge opreme, očistite ih! Zbrinite nečistoće na pravilan način.

SAVJETI ZA KORIŠTENJE USISAVAČA (slika L)

Želite li koristiti stroj kao usisavač, slijedite upute u odjeljku **SASTAVLJANJE** za ugradnju sklopa usisavača, vrećice za lišće i ramene trake.

- Često provjeravajte ima li na vrećici za lišće znakova istrošenosti ili oštećenja.
- Potpuno zatvorite patentni zatvarač vrećice za lišće prije pokretanja stroja kako biste izbjegli podizanje prašine.
- Ispraznite vrećicu za lišće prije nego se napuni.
- Koristite stroj za skupljanje mokrog lišća s tla, ali ne iz bazena kako biste spriječili ulazak vode u stroj.
- Ne dopustite da u stroj uđu plastične vrećice, tkanina i drugi predmeti koje nije lako slomiti i koji se lako mogu zapetljati.
- Nemojte dopustiti da tvrdi materijali, kao što su krupni komadi drveta, metali, staklo, kamenčići itd., budu usisani u stroj.

ODRŽAVANJE

⚠ UPOZORENJE: Pri servisiranju koristite samo identične zamjenske dijelove. Korištenje drugih dijelova može izazvati opasnost ili prouzročiti oštećenje proizvoda. Radi sigurnosti i pouzdanosti, sve popravke treba obavljati kvalificirani servisni tehničar.

⚠ UPOZORENJE: Radi izbjegavanja teških tjelesnih ozljeda, pri čišćenju ili obavljanju podešavanja komplet baterija izvadite iz proizvoda.

OPĆE ODRŽAVANJE

Pri čišćenju plastičnih dijelova izbjegavajte koristiti otapala. Većina plastičnih materijala podložna je oštećenju od različitih vrsta komercijalnih otapala i mogu se oštetiti u slučaju njihove upotrebe. Za uklanjanje nečistoće, prašine, ulja, masti i sl. koristite čiste krpe.

⚠ UPOZORENJE: Nemojte dopustiti da koćione tekućine, benzin, proizvodi na bazi nafte, prodiruća ulja i sl., dođu u doticaj s plastičnim dijelovima. Kemijska sredstva mogu oštetiti, oslabiti ili uništiti plastiku što može rezultirati teškim tjelesnim ozljedama.

ČUVANJE

- Uklonite baterijski modul iz stroja.
- Očistite sav strani materijal s ulaza za zrak na stroju.
- Pohranite ga u zatvorenom prostoru koji nije dostupan djeci. Držite dalje od korozivnih sredstava kao što su vrtno kemikalije i soli za odleđivanje.

Zaštita okoliša

Električnu opremu, iskorištenu bateriju i punjač ne odlažite u otpad iz kućanstva!

Ovaj proizvod odnesite u ovlašteni centar za reciklažu i time omogućite odvojeno sakupljanje. Električne alate potrebno je vratiti u ekološki prihvatljiv pogon za reciklažu.

OTKLANJANJE SMETNJI

PROBLEM	UZROK	RJEŠENJE
Usisivač lišća ne radi.	<ul style="list-style-type: none"> ■ Nema električnog kontakta između usisavača lišća i baterijskog modula. ■ Baterijski modul je ispražnjen. ■ Baterijski modul i/ili puhalo su prevrući. ■ Stroj nije u potpunosti sastavljen. 	<ul style="list-style-type: none"> ■ Izvadite baterijski modul, provjerite kontakte i ponovno stavite baterijski modul. ■ Napunite baterijski modul. ■ Hladite baterijski modul i usisivač lišća dok se temperatura ne spusti ispod 67 °C. ■ Slijedite upute u odjeljku Sastavljanje kako biste u potpunosti i ispravno sastavili stroj.
Značajno se smanjila brzina strujanja zraka.	<ul style="list-style-type: none"> ■ Ulaz za zrak zapriječen je nečistoćama. ■ Prekomjerna istrošenost ventilatora motora. ■ Previše otpadaka u vrećici za lišće. 	<ul style="list-style-type: none"> ■ Izvadite baterije, očistite ostatke. ■ Za popravak se obratite servisnom centru tvrtke EGO. ■ Ispraznite vrećicu za lišće prema uputama u poglavlju Uklanjanje i pražnjenje vrećice za lišće u odjeljku SASTAVLJANJE.

JAMSTVO

PRAVILA U VEZI JAMSTVA TVRTKE EGO

Cjelokupne uvjete i odredbe pravila jamstva tvrtke EGO potražite na web-mjestu egopowerplus.eu.

სრულად გაეცანით ინსტრუქციას!



გაეცანით მომხმარებლის სახელმძღვანელოს

⚠ გაფრთხილება: ხელსაწყოს უსაფრთხოდ და გამართულად მუშაობისთვის საჭიროა მისი ყველა შეკეთება და ნაწილის შეცვლა შესრულდეს კვალიფიციური ტექნომსახურების ტექნიკოსის მიერ.

⚠ გაფრთხილება: მოწყობილობის გამოყენებამდე ყურადღებით გაეცანით აღნიშნულ სახელმძღვანელოში მოცემულ უსაფრთხოების წესებს, მათ შორის ყველა უსაფრთხოების სიმბოლოს, როგორცაა „**სამშრომბა**“, „**გაფრთხილება**“ და „**ყურადღება**“. ქვემოთ ჩამოთვლილი მითითებების შეუსრულებლობამ შეიძლება გამოიწვიოს ღუნის დარტყმა, ხანძარი და/ან სხეულის სერიოზული დაზიანება.

შეინახეთ ყველა გაფრთხილება და ინსტრუქცია სამომავლოდ გამოყენებისთვის. უსაფრთხოების სიმბოლოები

⚠ გაფრთხილება: ელექტრო ხელსაწყოს გამოყენებისას შესაძლოა უცხო სხეულის თვალის მიდამოში მოხვედრა, რამაც შესაძლოა გამოიწვიოს თვალის მნიშვნელოვანი დაზიანება. ელექტრო ხელსაწყოს გამოყენებამდე აუცილებლად მორიგეთ უსაფრთხოების თვალსაფარი ან სათვალე სახის გვერდითა ნაწილების და მთლიანი სახის დამცავი ეკრანით, საჭიროების შემთხვევაში. ჩვენ რეკომენდაციას ვუწვევთ ფართო ხედვის უსაფრთხოების ნიღაბს სათვალეებთან ერთად ან სტანდარტულ გვერდითა დაცვის მქონე უსაფრთხოების სათვალეებთან ერთად გამოსაყენებლად.



გამაფრთხილებელი ნიშანი



დაზიანების რისკის შესამცირებლად, მომხმარებელმა უნდა წაიკითხოს და გაიგოს მოწყობილობის მუშაობის ინსტრუქცია, მის გამოყენებამდე.



ყოველთვის გაიკეთეთ ყურების და თვალის დამცავი მოწყობილობები ხელსაწყოთი სარგებლობისას.



მოაცილეთ გარემე პირები ხელსაწყოს მინიმუმ 15 მეტრის დაშორებით.



გარანტირებული ხმის სიმძლავრის დონე. გარემოში ხმაურის გავრცელების დონე ევროკავშირის რეგულაციების შესატყვისია.



მოწყობილობა შეესაბამება EC-ის მოქმედ რეგულაციებს.



ელექტრო ხელსაწყოების უტილიზაცია არ უნდა მოხდეს საყოფაცხოვრებო ნაწილებთან ერთად. წაადეთ შესაბამის გადამამუშავებელ საწარმოში.



აღნიშნული ხელსაყო აკმაყოფილებს გაერთიანებული სამეფოს კანონმდებლობით დადგენილ მოთხოვნებს.



მუდმივი დენი



წყლის შემხეფებისგან დაცვა



ძაბვა



წუთში



მილიმეტრი



დაუტვირთავი სიჩქარე



ზოგადი გაფრთხილებები უსაფრთხოების შესახებ

▲ გაფრთხილება: გაეცანით ამ მოწყობილობასთან დაკავშირებულ უსაფრთხოების ყველა მითითებას, ინსტრუქციას, ილუსტრაციას და სპეციფიკაციას. ქვემოთ ჩამოთვლილი ყველა ინსტრუქციის უზღულელებუყოფამ შესაძლოა გამოიწვიოს ელექტრო შოკი, ხანძარი და/ან მოგაყენოთ სერიოზული ზიანი.

შეინახეთ ყველა გაფრთხილება და ინსტრუქცია სამომავლოდ გამოყენებისთვის.

ტერმინი „მოწყობილობა“ უსაფრთხოების ინსტრუქციაში შესაბამება ქელიდან (სადენით) ან აკუმულატორით (უსადენო) მიღებულ დენზე მომუშავე მოწყობილობას.

სამუშაო სივრცის უსაფრთხოება

- დაიცავით სამუშაო სივრცის სისუფთავე და იქონიეთ კარგი განათება. ჩახერგილი ან ბნელი სამუშაო სივრცე იწვევს ინციდენტებს.
- არ ამუშაოთ მოწყობილობა ფეხქვეშა და საშუალებების არსებობისას, როგორცაა აალებადი სითხეები, აირები ან მტვერი. მოწყობილობა წარმოქმნის ნავერწყალს, რომელმაც შესაძლოა ანათოს მტვერი ან აირი.
- ელექტრო ხელსაწყოთ სარგებლობისას მთარიდეთ მას ზეგზები და სხვა პირები. ყურადღების გაფანტვას შეუძლია გამოიწვიოს მოწყობილობაზე კონტროლის დაკარგვა.

ელექტრო უსაფრთხოება

- მოწყობილობის დენის ჩარგალი უნდა ერგებოდეს შტექსელის როზეტს. არასოდეს გაუკეთოთ მოწყობილობის დენის ჩანგალს მოდიფიცირება. არ გამოიყენოთ ადაპტორები ისეთი ხელსაწყოების დენის ჩანგალზე, რომელსაც აქვს დამიწება. არსებული დენის ჩანგალი და მისი შესაბამისი შტექსელის არსებობა ამცირებს ელექტრული შოკის რისკს.
- მოერიდეთ სხეულით დამიწებული საგნების ზედაპირებთან კონტაქტს, როგორცაა მიწები, რადიატორები, ქურები და მაცივრები. ელექტრული შოკის მიღების რისკი იზრდება თუ თქვენი სხეული დამიწებულია.
- არ გამოიყენოთ მოწყობილობა წვიმაში ან სველ გარემოში. ხელსაწყოში შესული წყალი ზრდის დენის დარტყმის რისკს.
- არ დაზიანოთ დენის სადენი. არასოდეს გამოიყენოთ სადენი ხელსაწყოს სატარებლად. მოსაქმად ან შტექსელიდან ამოსართველად. დაიცავით დენის სადენი სიმბურვალისგან, ზეთისგან, მჭრელი და მოძრავი საგნებისგან. დაზიანებული ან გადახლართული დენის სადენი ზრდის ელექტრო შოკის რისკს.
- მოწყობილობის გარეთ სარგებლობისთვის გამოიყენეთ დამაგრებელი, რომელიც

ვარგისია გარეთ მუშაობისთვის. გარეთ მუშაობისთვის შესაბამისი ელექტრო სადენის გამოყენება ამცირებს ელექტრული შოკის რისკს.

- თუ მოწყობილობის ნესტიან გარემოში მუშაობა გარდაუვალია, გამოიყენეთ დამიწებაზე დამოკლებისას წრედის ამორთვის დაცვის მქონე კვების წყარო. GFCI წრედის ამორთვის დაცვის მქონე კვების გამოყენება ამცირებს ელექტრული შოკის რისკს.

პირადი უსაფრთხოება

- მოწყობილობის გამოყენებისას იცავით ფეხი, ხელი, იმუქმედით დაკვირვებით და საღი აზრის გათვალისწინებით. არ გამოიყენოთ მოწყობილობა, როდესაც ხართ დაღლილი, ან ალკოჰოლის ან ნარკოტიკების ზემოქმედების ქვეშ. მოწყობილობით სარგებლობისას მყისიერმა უყურადღებობამ შეიძლება მოგაყენოთ სერიოზული პირადი ზიანი.
- გამოიყენეთ პერსონალური დამცავი აღჭურვილობა. ყოველთვის გაიკეთეთ თვალების დამცავი. შესაბამის სამუშაო პირობებში დამცავი საშუალებების გამოყენება, როგორცაა მტვრის საწინააღმდეგო ნიღაბი, მოცურების საწინააღმდეგო ფეხსაცმელი, მყარი ჩაფხუტი ან სმენის დამცავი, ამცირებს სამუშაო ტრავმებს.
- მოწყობილობის დაუგეგმავი ჩართვის აღკვეთა. დარწმუნდით, რომ ჩამრთველი არის გამართულ მდგომარეობაში მოწყობილობის დენში და/ან აკუმულატორთან შეერთებამდე, ხელსაწყოს მაღლა აწევათ ან ტარებამდე. მოწყობილობის ტარება ჩამრთველის დილაკზე დადებული თითით, რომელსაც გააქტიურებული აქვს ჩართვის დილაკი, განაპირობებს უზედურ შემთხვევას.
- მოხსენით ნებისმიერი მიმაგრებული ატრიბუტი ან ქანჩის გასაღები მოწყობილობის ჩართვამდე. მოწყობილობის მბრუნავ ნაწილზე დამაგრებულმა ქანჩის გასაღებმა ან სხვა ატრიბუტმა შესაძლოა მოგაყენოთ სხეულის დაზიანება.
- ზედმეტად არ გადაიხაროთ. ყოველთვის დაიცავით ბალანსი და მყარად იდგეთ ფეხზე. ეს გაძლევთ საშუალებას, მოახდინოთ მოწყობილობის უკეთესი კონტროლი მოულოდნელ სიტუაციებში.
- ჩაიცვით შესაბამისად. არ ჩაიცვათ განიერი, ფრიალა ტანსაცმელი და არ გაიკეთოთ სამკაულები. მთარიდეთ თმა და ტანსაცმელი მოძრავ ნაწილებზე. განიერი, ფრიალა ტანსაცმელი, ძვირფასეულობა და თმა შესაძლოა ჩაითრიოს მოძრავმა ნაწილებმა.
- თუ არსებობს მტვრის ან ნარჩენების ამომღები და შემგროვებელი მოწყობილობები, დარწმუნდით, რომ ისინი სწორადაა შეერთებული და გამოყენებული. მტვრისთვის

KA

განკუთვნილი საშუალებების გამოყენებამ შესაძლოა შეამციროს მასთან დაკავშირებული საფრთხეები.

- მსგავს მოწყობილობებთან ხშირი მუშაობის დროს არ გათამამდეთ და არ უფლუველებოთ ხელსაწყო უსაფრთხოების პრინციპების დაცვა. უგულისყოფო საქციელმა წამის მეთაქვდმიც კი შესაძლოა გამოიწვიოს სერიოზული ტრავმა.

მოწყობილობის გამოყენება და მოვლა

- არ დაატანოთ ძალა მოწყობილობას. გამოიყენეთ მართებული მოწყობილობა თქვენ მიზნებისთვის. მართებული მოწყობილობა უკეთ და უფრო უსაფრთხოდ გააკეთებს იმ საქმეს, რომლისთვისაც განკუთვნილია.
- არ გამოიყენოთ მოწყობილობა, თუ მისი ჩართვა და გამორთვა ჩამრთველით არ ხდება. მოწყობილობა, რომელიც კერ კონტროლდება ჩამრთველით, სახიფათოა და საჭიროებს შეკეთებას.
- გათიშეთ დენის ჩანგალი შტეფსელიდან და/ან მოხსენით აკუმულატორის ბლოკი ხელსაწყო ნებისმიერი რეგულირებისას, ნაწილის გამოცვლამდე ან ხელსაწყო შენახვამდე. მსგავსი პრევენციული უსაფრთხოების ზომები ამცირებს მოწყობილობის უცაბედი ჩართვის რისკს.
- გამორთული მოწყობილობები შეინახეთ ზედაპირის მიუყვამდე ადგილას და არ მისცეთ მოწყობილობის გამოყენების უფლება მისი სარგებლობის არმოდენე ან მის ინსტრუქციაში ჩაუხედავ პირებს. მოწყობილობა გამოუცდელი პირების ხელში სახიფათოა.
- გაუფრთხილდით მოწყობილობებს და მის ნაწილებს. შეაოწმეთ მოძრავი და შემაკავშირებელი ნაწილების ურთიერთწანაცვლება, ნაწილების დაზიანება და სხვა მდგომარეობა, რომელმაც შეიძლება გავლენა იქონიოს მოწყობილობის მუშაობაზე. დაზიანების შემთხვევაში, გამოყენებამდე შეაკეთეთ მოწყობილობა. ბევრი ინიცდენტი გამოწვეულია ცუდად მოვლილი მოწყობილობის გამო.
- საკრეკი მოწყობილობები უნდა იყოს ბასრი და სუფთა მდგომარეობაში. სათანადოდ მოვლილი სათიბი მოწყობილობები ბასრი პირით ნაკლებად პრობლემურია და მათი კონტროლიც უფრო ადვილია.
- გამოიყენეთ ეს მოწყობილობა, მისი ნაწილები, დამკრეები და ა.შ. ინსტრუქციების შესაბამისად, საშუაო გარემოს და შესასრულებელი სამუშაოს ტიპის გათვალისწინებით. მოწყობილობის არადანიშნულებისამებრ გამოყენებამ შესაძლოა შექმნას სახიფათო სიტუაცია.
- სახელურები და ხელის ჩასაჭიდი სხვა ზედამირები იქონიეთ მშრალ და სუფთა მდგომარეობაში, მათ შორის ცხიმისა და

ზეთის გარეშე. სრიალა სახელურები და ხელის ჩასაჭიდი ზედაპირები არ იძლევა მოწყობილობის უსაფრთხოდ გამოყენების და კონტროლის საშუალებას მიულოდნელ სიტუაციებში.

აკუმულატორის გამოყენება და მოვლა

- დატენიე მხოლოდ მწარმოებლის მიერ მითითებული დამტენი მოწყობილობით. დამტენმა მოწყობილობამ, რომელიც თავსებადია ერთი ტიპის აკუმულატორის ბლოკთან, შესაძლოა წარმოშვას ხანძრის გაჩენის რისკი სხვა აკუმულატორზე გამოყენებისას.
- გამოიყენეთ მოწყობილობა მხოლოდ სპეციალურად მისთვის განკუთვნილი აკუმულატორის ბლოკებით. სხვა აკუმულატორის ბლოკების გამოყენებამ შესაძლოა წარმოშვას ფიზიკური დაზიანების ან ხანძრის რისკი.
- როდესაც აკუმულატორის ბლოკს არ იყენებთ, მოავლიეთ იგი ლითონის საგნებს, როგორცაა ქაღალდის სამაგრი, მონეტა, გასაღები, ლურსმანი, ხრახნი ან სხვა მცირე ზომის ლითონის საგნები, რომელთაც შეუძლიათ მოახდინონ შეერთება ერთი ტერმინალიდან მეორეში. აკუმულატორის კლემების ზედდებამ შეიძლება გამოიწვიოს დამწვრობები ან ხანძარი.
- არასწორი მოპყრობის შემთხვევაში, აკუმულატორიდან შეიძლება სითხემ გამოჟონოს; მოერიდეთ მასთან შეხებას. თუ შემთხვევით შეეხეთ სითხეს, ჩამოიხანეთ წყლით. თუ სითხე მოხვდა თვალებში, მიმართეთ ექიმს. აკუმულატორიდან გამოჟონილმა სითხემ შესაძლოა გამოიწვიოს გაღიზიანება ან დამწვრობა.
- არ გამოიყენოთ აკუმულატორის ბლოკი ან ხელსაწყო, რომელიც დაზიანებული ან გადაკეთებულია. დაზიანებულმა ან გადაკეთებულმა აკუმულატორმა შესაძლოა განაპირობოს გაუთვალისწინებელი ქმედება, რამაც შეიძლება გამოიწვიოს ხანძარი, აფეთქება ან დაზიანების რისკი.
- არ მოათავსოთ აკუმულატორის ბლოკი ან ხელსაწყო ცეცხლთან ან მაღალ ტემპერატურაზე. ცეცხლმა ან 130 °C-ზე მაღალმა ტემპერატურამ შესაძლოა გამოიწვიოს აფეთქება.
- მიყვით დატენის ინსტრუქციებს და არ დატენოთ აკუმულატორის ბლოკი ინსტრუქციაში მითითებული ტემპერატურის დიაპაზონის გარეთ. აკუმულატორის არასწორი ან ინსტრუქციაში მითითებული ტემპერატურის ფარგლებს მიღმა დამუხტვამ შეიძლება დაზიანოს აკუმულატორი და გაზარდოს ხანძრის რისკი.

ტექნოსახურება

KA

- მოწყობილობის ტექნოლოგიური განვითარებით უზრუნველყოფს მოწყობილობის უსაფრთხო მუშაობას.
- არასოდეს შეაკეთეთ დაზიანებული აკუმულატორის ბლოკები. აკუმულატორების შეკეთება უნდა უზრუნველყოს მხოლოდ მწარმოებელმა ან ავტორიზებულმა სერვის პროვაიდერებმა.

საბერველასთან/ მტვერსასრუტთან დაკავშირებული უსაფრთხოების გაფრთხილებები

- მოერიდეთ მოწყობილობის გამოყენებას ცუდი ამინდის პირობებში, განსაკუთრებით, როდესაც არსებობს ელვის საშიშროება. ეს შეამცირებს თქვენზე მეხის დაცემის რისკს.
- ხშირად შეამოწმეთ ნარჩენების შესაგროვებელი ცვეთასა და გაფუჭებაზე. გაცვეთილმა ან დაზიანებულმა ნამსხვრევების დამჭერმა შეიძლება გაზარდოს პირადი დაზიანების რისკი.
- ყოველთვის გაიკეთეთ თვალების და ყურების დამცავი საშუალება. შესაბამისი დამცავი მოწყობილობა შეამცირებს პირადი ზიანის რისკს.
- ხელსაწყო მუშაობის დროს ყოველთვის ატარეთ ფეხსაცმელი, რომელიც არ ეფრავს და დამცავია. ნუ გამოიყენებთ მოწყობილობას, როდესაც ხართ ფეხშველა ან გაცვიათ ღია ზაფხულის ფეხსაცმელი. ეს ამცირებს ფეხზე ზიანის მიღების რისკს.
- არ ჩაიცვათ ფართო ტანსაცმელი და არ ატაროთ ისეთი აქსესუარები, როგორცაა შარფები, თოკები, ჯაჭვები, ჰალსტუხები და ა.შ., რომლებიც შეიძლება მოხვდეს ჰაერის შესასვლელებში. უკან შეიკაროთ ან დაფარეთ გრძელი თმა, რათა არ მოხვდეს ჰაერის შესასვლელებში. თუ რომელიმე ამ ელემენტიდან ჰაერის შესასვლელებში გაიჭედება, ამაშ შეიძლება გაზარდოს პირადი დაზიანების რისკი.
- მოწყობილობის გამოყენების დროს მობრუნდით მას ზავშევი და გამვლელები. ამოტვირთვით ნამსხვრევებმა შესაძლოა გაზარდოს პირადი ზიანის რისკი.
- არ გამოიყენოთ მტვერსასრუტის რეჟიმი ნარჩენების შემგროვებლის ადგილზე დამაგრების გარეშე. ამოტვირთვით

საგნებმა შესაძლოა გაზარდოს პირადი ზიანის რისკი.

- არ მიუშვიროთ საბერველას ცხვირი ადამიანებს, შინაურ ცხოველებს ან ფანჯრებს. განსაკუთრებული სიფრთხილე გამოიჩინეთ მყარ ობიექტებთან, როგორცაა ხეები, მანქანები და კედლები, ნამსხვრევების დაბერვისას, რამაც შეიძლება გამოიწვიოს ნამსხვრევების რეკონსტრუქცია. ამოტვირთვით საგნებმა შეიძლება დაზიანდოს ობიექტი და გაზარდოს პირადი დაზიანების რისკი.
- არ გამოიყენოთ მოწყობილობა ნებისმიერი რამის ასაღებად ან დასაბერად, რაც იწვის ან კვამლი ასდის, როგორცაა სიგარეტი, ასანთი ან ცხელი ფერფლი. ამ საგნების წყაროებმა შეიძლება გაზარდოს ხანძრის რისკი.
- არ სცადოთ წყლის ან სხვა სითხეების მოშორება მტვერსასრუტის გამოყენებით და არ ჩადოთ მოწყობილობის რომელიმე ნაწილი სითხეში. მოწყობილობაში შესული წყალი ზრდის ელექტრო დენის დარტყმის რისკს.
- დაუშვებელია ქვების, ხრეშის, ლითონის ან დამტვერული მინის მტვერსასრუტით მოშორება. ვენტოლატორის ბორბალი შეიძლება დაზიანდეს და გაზარდოს პირადი დაზიანების რისკი.
- არ შეეხოთ ვენტოლატორს, როცა ის მოძრაობს. გამორთეთ მოწყობილობა და დაელოდეთ ვენტოლატორის გაჩერებას, სანამ ამოიღებთ ნაწილს, რომელსაც მოგეცემთ ვენტოლატორზე წვდომის შესაძლებლობას. ეს ამცირებს მოძრავი ნაწილებისგან ზიანის მიღების რისკს.
- გაჭედული მასალის მოცილების ან მოწყობილობის ტექნიკური სერვისის დროს, დარწმუნდით, რომ დენის ჩამრთველი გამორთულია. მოწყობილობის უცაბედმა ჩართვამ გაჭედული საგნების მოცილების ან მოწყობილობის ტექნიკური სერვისის დროს, შეიძლება მოგაყენოთ სერიოზული პირადი ზიანი.

სრულად გაეცანით ინსტრუქციას ამ პროდუქტის გამოყენებამდე!

ტრენინგი

- არასოდეს მისცით მოწყობილობით სარგებლობის უფლება ზავშევი, შეზღუდული ფიზიკური, მგრძობილობის ან მენტალური შეძლებლობის მქონე პირებს ან ცოდნისა და გამოცდილების არმქონე, მოწყობილობის გამოყენების ინსტრუქციების არმცოდნე პირებს.
- ოპერატორი ან მომხმარებელი პასუხისმგებელია იმ შემთხვევებზე ან საფრთხეებზე, რაც შესაძლოა დაემუქროს სხვა პირებს ან მათ ქონებას.

KA

მოზადება

- მანქანის გამოყენება შესაძლებელია წვიმის დროს ან სველ პირობებში. გამშრალეთ მანქანა სამუშაოს დასრულების შემდეგ.
- გამოყენებამდე შეამოწმეთ აკუმულატორი და მისი ბლოკი დაზიანებაზე. არ გამოიყენოთ ხელსაწყო, თუ მისი აკუმულატორი ან ელემენტების ბლოკი დაზიანებულია.

მუშაობა

- მანქანის გამოყენება შესაძლებელია წვიმის დროს ან სველ პირობებში. გამშრალეთ მანქანა სამუშაოს დასრულების შემდეგ.
- ამოიღეთ ელემენტები ან აკუმულატორი:
 1. როდესაც უყურადღებოდ ტოვებთ ხელსაწყოს;
 2. გაჭედილი საგნებისგან გაწმენდამდე;
 3. ხელსაწყოს შემოწმებამდე, გაწმენდამდე ან ჩართვამდე;
 4. თუ მოწყობილობა იწყებს უჩვეულო ვიბრაციას.
- ყოველთვის დაწმუნდით, რომ გაქვთ მყარი საყრდენი ხელსაწყოს ფერდობზე გამოყენებისას.
- არასოდეს ირბინოთ, მხოლოდ იარეთ.
- ხელსაწყოზე ჰაერის გამაგრებლის შესასვლელი იქონიეთ ნარჩენებისგან თავისუფალ მდგომარეობაში.
- ხელსაწყოთი სარგებლობა რეკომენდებულია მხოლოდ დღის მართებულ საათებში – არა ადრე დილით ან გვიან დამით, როცა შესაძლოა სხვა ადამიანები შეაწუხოთ.
- რეკომენდებულია მტვრთან არემი ზედამიწის ოდნავ დანოტივება ან დამორთქლავი მიმაგრების გამოყენება.

⚠ გაფრთხილება: უფრთხილდით მზრუნავ ნაწილებს!

- გამოიყენეთ საბერველას ბუნჯის დამაგრებლებელი, რათა ჰაერის ჭავლი დატრიალდეს მიწასთან ახლოს.
- არ ამუშაოთ მოწყობილობა ღია ფანჯრების და ა.შ. მახლობლად.

ექსპლუატაცია და შენახვა

- მჭიდროდ დაუჭირეთ ყველა ქანჩი, ჰანჭიკი და ხრახნი, რათა დარწმუნდეთ, რომ ხელსაწყო უსაფრთხო სამუშაო მდგომარეობაშია.
- გამოცვალეთ გაცვეთილი ან დაზიანებული ნაწილები.
- გამოიყენეთ მხოლოდ ორიგინალი ნაწილები ან აქსესუარები.
- ხელსაწყო შეინახეთ მხოლოდ მშრალ ადგილას.

⚠ გაფრთხილება: იმისათვის, რომ შეამციროთ

ხანძრის, ელექტროდენის დარტყმის ან ტრავმის რისკი:

მნიშვნელოვანი

გამოყენებამდე ყურადღებით წაიკითხეთ.

შეინახეთ სამომავლოდ გაცნობისთვის.

- არავის მისცეთ უფლება მოწყობილობა გამოიყენოს, როგორც სათამაშო. ზვეშებთან ახლოს ან ზვეშების მიერ მოწყობილობის გამოყენებისას განსაკუთრებული ყურადღებაა საჭირო.
- თუ მოწყობილობა არ მუშაობს ისე, როგორც საჭიროა, ძირს დავარდა, დაზიანდა ან წყალში ჩავარდა, დააბრუნეთ ის მომსახურების ცენტრში.
- არ ჩადით რაიმე საგანი ხელსაწყოს ღია სივრცეებში. არ გამოიყენოთ ხელსაწყო, თუ ღია სივრცეები დაბლოკილია; იქონიეთ საპაეროები თავისუფალი მტვრისგან, ბუსუსებისგან, თმებისა ან სხვა საგნებისგან, რამაც შესაძლოა შეამციროს ჰაერის ჭავლი.
- გამოიჩინეთ განსაკუთრებული სიფრთხილე, როდესაც ასუფთავებთ კიბეზე.
- არ დატოვოთ მოწყობილობა უყურადღებოდ, როცა აკუმულატორის დენის ჩანგალი შეერთებულია. მოხსენით აკუმულატორი, როცა მოწყობილობა არ გამოიყენება ან ტექნიკური მომსახურების დაწყებამდე.
- არ მოკიდოთ სველი ხელები დამტენ მოწყობილობას, მის დენის ჩანგალს ან დამტენის კონტაქტებს.
- არ დატენოთ აკუმულატორის ბლოკი გარეთ.

⚠ გაფრთხილება:

- აკუმულატორი უნდა ამოვიღოთ ხელსაწყოდან მის უტილიზაციამდე.
- აკუმულატორის უტილიზაცია უნდა მოხდეს უსაფრთხოების წესის შესაბამისად.
- არ შეეცადოთ გაჭედილი ნარჩენების გასუფთავებას აკუმულატორის მოხსნამდე.
- იქონიეთ მოწყობილობა და მისი სახელური მშრალ, სუფთა, ცხიმისა და ზეთისგან თავისუფალ მდგომარეობაში. ყოველთვის გამოიყენეთ სუფთა ტილო გაწმენდისას. არასოდეს გამოიყენოთ სამუხრუჭე სითხე, ბენზინი, ნავთობზე დამზადებული პროდუქტები ან სხვა ძლიერი გამხსნელები მოწყობილობის გასაწმენდად. ამ წესის დაცვა შეამცირებს კონტროლის დაკარგვის რისკს და პლასტმასის ბუდის ცვეთას.
- აკუმულატორები შესაძლოა აყვებდეს ანთების წყაროს არსებობისას, როგორცაა ანთები ნათურა. სერიოზული ტრავმის მიღების რისკის შესამცირებლად, არასოდეს



გამოიყენოთ უსადენო ხელსაწყო ანთებული ცეცხლის მახლობლობად. აფეთქებულმა აკუმულატორმა შესაძლოა გამოტყორცნოს ნარჩენები და ქიმიური ნივთიერებები. სხეულზე მოხვედრისას დაუყოვნებლივ ჩამოიბანეთ წყლით.

- არასოდეს აბუშაოთ ხელსაწყო შესაბამისი ნაწილების გარეშე. ყოველთვის დარწმუნდით, რომ მოწყობილობის მილი დამონტაჟებულია.
- არასოდეს გამოიყენოთ მოწობილობა ცეცხლის ან ნაკვერჩხლების მახლობლად. ცეცხლის ან ნაკვერჩხლების მახლობლად გამოყენებამ შესაძლოა გამოიწვიოს ცეცხლის გავრცელება და სერიოზული ტრავმა და/ან ქონების დაზიანება.
- არასოდეს გამოიყენოთ მოწყობილობა ქიმიური ნივთიერებების, სასუქის და სხვა ტოქსიური ნივთიერებების გასაფრქვევად. მსგავსი ნივთიერებების გაფრქვევამ შესაძლოა მოუტანოს სერიოზული ზიანი მომხმარებელს ან მახლობლად მყოფ პირებს.
- შეინახეთ ეს ინსტრუქცია, ხშირად იხელმძღვანელოთ მითითებებით და ასწავლეთ ისინი სხვებს, ვისაც სურთ ამ ხელსაწყოს გამოყენება. თუ სხვას ათხოვებთ ხელსაწყოს, ასევე გაატანეთ ეს მითითებები, რათა თავიდან აიცილოთ პროდუქტის არასათანადო გამოყენება და შესაძლო დაზიანება.

შეინახეთ ეს მომხმარებლის ინსტრუქცია!

სპეციფიკაციები

ნომინალური ძაბვა		56 ვოლტი ---
საბერველა	მაქსიმალური ჰაერის მოცულობა	850 მ ³ /სთ
	მაქსიმალური ჰაერის სიჩქარე	64 მ/წმ (მხოლოდ საბერველას მილით) 93 მ/წმ (კონუსური საქმენით)
	დაბერვის მაქსიმალური ძალა	15.5
ვაკუუმი	მაქსიმალური ჰაერის მოცულობა	40 მ ³ /სთ
მაქს. დაქუცმაცების სიჩქარე		16 : 1
წონა (აკუმულატორის ბლოკის და ბუნჯის გარეშე)		5,8 კგ (ვაკუუმი) 4,2 კგ (საბერველა)
რეკომენდებული საექსპლუატაციო ტემპერატურა		-15°C-40°C
შენახვის რეკომენდებული ტემპერატურა		-20°C-70°C
რეკომენდებული დამუხტვის ტემპერატურა		5°C-40°C
გაზომილი ხმის სიმძლავრის დონე L _{WA}		100 დბ(A) K=1,9 დბ(A)
ბგერის წნევის დონე სამუშაო პოზიციაში L _{PA}		88 დბ(A) K=3 დბ(A)
გარანტირებული ხმის სიმძლავრის დონე L _{WA} (2000/14/ EC რეგულაციის მიხედვით)		102 დბ(A)
ვიბრაცია a _v		მაქს. 1,80 მ/წმ. ² K=1,5 მ/წმ. ²

- მითითებული ვიბრაციის სრული სიდიდე გაზომილია სტანდარტული ტესტირების მეთოდის გამოყენებით და შესაძლოა გამოყენებულ იქნას ერთი მოწყობილობის მეორესთან შედარებისას.
- მითითებული ვიბრაციის სრული სიდიდე ასევე შესაძლოა გამოყენებულ იქნას ზემოქმედების წინასწარი შეფასებისას.

KA

- მითითებული ვიზრაციის სრული სიდიდე ასევე შესაძლოა გამოყენებულ იქნას ზემოქმედების წინასწარი შეფასებისას.

გაფრთხილება: ელექტრო ხელსაწყოს ფაქტობრივი გამოყენებისას ვიზრაციის ემისია შესაძლოა განსხვავდებოდეს მითითებული სიდიდისგან; მომხმარებელმა მოწყობილობით სარგებლობისას საჭიროა გამოიყენოს ხელთათმანები და სმენის დამცავი საშუალებები.

შეფუთვის რეესტრი (სურ. A1) ალწერილობა

გაეცან შენს ფოთლის მტვერსასრუტს (ნახ. A1)

1. მტვერსასრუტის ბუნიკი
2. მტვერსასრუტის მილი
3. მტვერსასრუტის კომპლექტის სახელური
4. ჰაერის შემსრუტავის ცხაური
5. წინა სახელური
6. აკუმულატორის მოხსნის დილაკი
7. სიჩქარის/ჩამკეტი სელექტორი
8. მხრის ღვედის საკიდი
9. მთავარი სახელური
10. ჰავლის სიჩქარის ტრიგერი
11. ფოთლის ტომარა
12. მხარზე ჩამოსაკიდი ღვედი
13. ელექტრო კონტაქტები
14. ჩამკეტი
15. საბერველას მილი
16. კონუსური საქმენი

ნაკრები

▲ გაფრთხილება: თუ რომელიმე ნაწილი დაზიანებულია ან დაკარგულია, არ ისარგებლოთ მოწყობილობით, სანამ ყველა ნაწილი არ გამოიცვლება. დაზიანებული ან დაკარგული ნაწილების მქონე მოწყობილობით სარგებლობას შესაძლოა მოჰყვეს სერიოზული ზიანი.

▲ გაფრთხილება: არ სცადოთ ხელსაწყოს გადაკეთება ან ისეთი აუქსუარების შექმნა, რომლებიც არაა რეკომენდებული ამ ხელსაწყოთვის. ნებისმიერი მსგავსი ცვლილება ან მოდიფიკაცია არის მოწყობილობის არასათანადო გამოყენება და შესაძლოა წარმოქმნას სახიფათო მდგომარეობა, რომელმაც შესაძლოა გამოიწვიოს სერიოზული პირადი ზიანი.

▲ გაფრთხილება: უღვახედი ჩართვის გამოსარიცხად, რომელმაც შესაძლოა გამოიწვიოს სერიოზული პერსონალური ზიანი, ყოველთვის მოხსენით აკუმულატორი მოწყობილობას, როდესაც

ხდება მისი ნაწილების აწყობა.

შენიშვნა: მოწყობილობის ჩართვა შეუძლებელია, სანამ არ მოხდებდა საბერველას მილის ან მტვერსასრუტის და ფოთლის ტომრის სრულად და სწორად აწყობა.

საბერველას მილის მიმაგრება/მოხსნა აწყობა (სურ. B1 & B2)

გასწორეთ ღარი და ჩასვით მილი საბერველას ბუდეში საბერველას მილის ჩამკეტი ბერკეტის რაზამდე.

B-1	საბერველას მილის ჩამკეტი ბერკეტი
-----	----------------------------------

მოსახსნელად (სურ. B3)

დააწეეთ საბერველას საკეტის ბერკეტი, რათა გამორთოთ საკეტი და შემდეგ ამოიღეთ მილი.

საბერველას კონუსური საქმენის მიმაგრება/მოხსნა

მისამაგრებლად (სურ. C1 & C2)

გაუსწორეთ კონუსურ საქმენზე არსებული ღარი მილზე არსებულ დილაკს და მიაწეეთ საქმენს, მილზე სანამ მჭიდროდ არ დამაგრდება.

მოსახსნელად (სურ. C3)

დააჭირეთ საქმენის მოსახსნელ დილაკს, რათა გახსნათ ჩამკეტი და შემდეგ მოხსენით საქმენი ჰაერსაბურს.

მტვერსასრუტის მიმაგრება/მოხსნა

მტვერსასრუტის ბუნიკის საქმენის აწყობა (ნახ. D)

გაფრთხილება: მტვერსასრუტის საქმენის და მილის შეერთების შემდეგ ის იქცევა მტვერსასრუტ კომპლექტად, რომლის განცალკევება შეუძლებელია.

გასწორეთ ღარი და ჩააჭირეთ ბუნიკი მტვერსასრუტის მილზე, სანამ მისი დაბლოკვის დილაკი არ ჩაიკეტება ადგილზე.

მტვერსასრუტის აწყობა

1. დააჭირეთ მტვერსასრუტის მილის საკეტის ბერკეტს ჰაერის შემავალი ცხაურის გასათავისუფლებლად და შემდეგ გახსენით ცხაური (ნახ. E1 & E2).

E-1	მტვერსასრუტის მილის საკეტის ბერკეტი
-----	-------------------------------------

2. გაუსწორეთ ორი აწეული კვადრატული კუთხე მტვერსასრუტზე ორ ჩაღრმავებულ კვადრატულ ღარს ჰაერის შესასვლელთან, როგორც ნაჩვენებია ნახ. E3-ზე მოწყობილობის ჩასართავად.
3. დააჭირეთ მტვერსასრუტს ჰაერის შესასვლელისკენ, სანამ მტვერსასრუტის მილის საკეტის ბერკეტი არ ჩაიკეტება (ნახ. E4).

KA

- დაჭირეთ ჰაერის მიმღების ცხაურს მტვერსასრუტზე (ნახ. E5).

ფოთლის ტომრის დამაგრება (ნახ. F)

- გაასწორეთ ღარი და ჩასვით ფოთლის ტომრის შესაერთებელი მტვერსასრუტის კორპუსზე ფოთლის ტომრის ჩამკეტი ბერკეტის რაზამდე.

F-1	ფოთლის ტომრის კონექტორი	F-3	ფოთლის ტომრის მარყუჭი
F-2	ფოთლის ტომრის ჩამკეტი ბერკეტი		

- ჩამოკიდეთ ფოთლის ტომრის მარყუჭი მტვერსასრუტის კაუჭზე, როგორც ეს ნაჩვენებია ნახ F- ში.

ფოთლის ტომრის ამოღება და დაცლა (ნახ. G1)

- მოხსენით ფოთლის ტომრის მარყუჭი მტვერსასრუტის კაუჭიდან.
- დააწკაპუნეთ ფოთლის ტომრის ჩამკეტის ბერკეტზე, რათა გახსნათ საკეტი და შემდეგ ამოიღეთ ტომარი.
- გახსენით ელვა შესაკრავი, რათა ფოთლის ტომარი დაცარიელდეს.

G-1	ელვა შესაკრავი
-----	----------------

მოხსენით ვენტელატორი (ნახ. G2 & G3)

- დააწკაპუნეთ ვენტელატორის მილის საკეტის ბერკეტს მილის გასახსნელად.
- ამოიღეთ ვენტელატორი.
- დააჭირეთ ჰაერის მიმღების ცხაურს ჰაერის შესასვლელისკენ, სანამ საკეტის ბერკეტი არ ჩაიკეტება.

მხარზე ჩამოსაკიდი ღვედის დამაგრება (ნახ.H)

დაჭირეთ ღვედის ჩამკეტებს, რათა გახსნათ ისინი და მიამაგრეთ ისინი მხრის თასმის საკიდებზე აპარატის თითოეულ ბოლოში. ღვედის შეხსნის ორი გზა არსებობს: გადმოიღეთ ოგი პირდაპირ მხრიდან ან დააჭირეთ ერთ ჩამკეტს და გამოერთეთ მხრის ღვედი ღვედის სამაგრის საკიდიდან.

⚠ გაფრთხილება: ღვედის ტარების დროს არცერთმა სხვა სატარებელმა არ უნდა შეუშალოს ხელი ღვედის გახსნას და მოხსნას.

⚠ გაფრთხილება: გაუთვალისწინებელი შემთხვევის დროს დაუყოვნებლოდ მოიხსენით ღვედი მხრიდან, მიუხედავად იმისა, თუ რა სახითაა დამაგრებული.

⚠ გაფრთხილება: თქვენ არ უნდა გამოიყენოთ ერთდროულად ორივე, ერთმაგი და ორმაგი მხარზე სამაგრი ღვედი.

⚠ გაფრთხილება: არ გამოიყენოთ მხრის სამაგრი და BH1000 EGO ზურგანთის შემაერთებელი ერთდროულად. ეს ხელს მუშაობის აპარატის სწრაფ ამოღებას საგანგებო შემთხვევებში, რაც გამოიწვევს ადამიანის სხეულის დაზიანებას.

მუშაობა

⚠ გაფრთხილება: შეეცადეთ მსგავსი პროდუქტის გამოყენების გამოვლიდებამ არ გამოიწვიოს თქვენი გაუფრთხილებლობა. დაიმახსოვრეთ, რომ გაუფრთხილებლობამ წამის მეთაღმდეგ კი შესაძლოა მოგიტანოთ სერიოზული ზიანი.

⚠ გაფრთხილება: ყოველთვის მორიგეთ ვეერდითა ცვრანების მქონე უსაფრთხოების სათვალე, სმენის დამცავ საშუალებასთან ერთად. ამ ინსტრუქციის უგულბეზღოვამ შესაძლოა გამოიწვიოს სხვადასხვა სხეულის თვალში მოხვედრა და სხვა შესაძლო სერიოზული ზიანი.

⚠ გაფრთხილება: უცაბედი ჩართვის გამოსარიცხად, რომელმაც შესაძლოა გამოიწვიოს სერიოზული პერსონალური ზიანი, ყოველთვის მოხსენით აკუმულატორი ხელსაწყოს, როდესაც ხდება მისი აწყობა, რეგულირება, წმენდა ან როდესაც არ ხდება ხელსაწყოს გამოყენება.

⚠ გაფრთხილება: არ გამოიყენოთ სხვა მისამაგრებელი ხელსაწყო ან აქსესუარი, რომელიც არაა რეკომენდებული ამ პროდუქტის მწარმოებლის მიერ. არარეკომენდებული დასამაგრებელი ნაწილების ან აქსესუარების გამოყენებამ შესაძლოა მოგაყენოთ სერიოზული ზიანი.

ყოველი გამოყენების წინ შეამოწმეთ მთლიანი პროდუქტი, ხომ არ არის დაზიანებული, დაკარგული ან მოშვებული მისი ნაწილები, როგორცაა ხრახნები, ქანჩები, ჭანჭიკები, ხუფები და ა.შ. მჭიდროდ დაუჭირეთ ყველა სამაგრი და ხუფი და არ ამუშაოთ ეს ხელსაწყო, სანამ ყველა დაკარგული ან დაზიანებული ნაწილი არ შეიცვლება.

გამოყენებები

თქვენ შეგიძლიათ გამოიყენოთ მიწყობილობა ქვემოთ ჩამოთვლილი მიზნებისთვის:

- ფოთლების, მოჭრილი ბალახის და სხვა ნარჩენების შეგროვება.
- მყარი ზედაპირების გასუფთავება, როგორცაა მწრობასთან მისასვლელი გზა ან ქვეითთა ბილიკი.
- მისასვლელი გზისა და პლატფორმის ფოთლებისგან გასუფთავება.

KA

შენიშვნა: ხელსაწყოს გამოყენება შესაძლებელია მხოლოდ დანიშნულებისამებრ. სხვა ნებისმიერი სახით გამოყენება ჩაითვლება, როგორც არასწორი გამოყენების შემთხვევა.

აკუმულატორის ჩამაგრება/მოსხნა

გამოიყენეთ მხოლოდ ნახ. A2-ში ჩამოთვლილი EGO-ს აკუმულატორის ბლოკები და დამტენები.

შენიშვნა: სრულად დატენეთ აკუმულატორის ბლოკი პირველ ჯერზე სარგებლობამდე.

დამაგრება

გაუსწორეთ აკუმულატორის სამაგრები ბუდის ნასერტებს და დააწიეთ აკუმულატორის ბლოკს, სანამ არ გაიგებთ „წკაპუნის“ ხმას (ნახ. I1).

მოსხნა (ნახ. I2)

დააჭირეთ აკუმულატორის გამშვებ დილაკს და ამოიღეთ აკუმულატორის ბლოკი (ნახ. I2).

▲ გაფრთხილება: ყოველთვის შეამოწმეთ თქვენი ფეხების, ზავმეხების ან შინაური ცხოველების მდებარეობა აკუმულატორის გამშვები დილაკის დაჭერისას. აკუმულატორის დავარდნამ შესაძლოა გამოიწვიოს სერიოზული ფიზიკური ზიანი. არასდროს მოხსნათ აკუმულატორი სიმაღლეზე.

მოწყობილობის ჩართვა/გამორთვა

მხოლოდ ჰაერის მოძრაობის სიჩქარის ტრიგერი

- დააჭირეთ ჰაერის ჭავლის სიჩქარის ტრიგერს, რათა ჩართოთ მოწყობილობა.
- მოწყობილობის ჰაერის ჭავლის სიჩქარე კონტროლდება ცვლადი სიჩქარის ტრიგერით. მეტი დაწოლა ტრიგერზე წარმოქმნის მაღალი სიჩქარის ჰაერს; ნაკლები დაწოლა ტრიგერზე წარმოქმნის მცირე სიჩქარის ჰაერს. დაარეგულირეთ სიჩქარე შესასრულებელი სამუშაოს მიხედვით.
- ხელი აუშვით ჰაერის ჭავლის სიჩქარის ტრიგერს, რათა გამორთოთ მოწყობილობა.

მხოლოდ სიჩქარე/ჩამკეტის სელექტორი

მოწყობილობის ჩართვა ნებისმიერი სიჩქარით შესაძლებელია სიჩქარის/ჩამკეტის სელექტორით.

- მოწყობილობის ჩასართავად გადაატრიალეთ სიჩქარის/ჩამართველის ციფერბლატი ახლომდებარე მზრის საკიდებისკენ. ჰაერის ჭავლის სიჩქარე გაიზარდება სელექტორის დატრიალებით, სანამ ის არ მიაღწევს მაქსიმალურ სიჩქარეს (MAX).
- ჰაერის ჭავლის სიჩქარის შესამცირებლად დაატრიალეთ სიჩქარის/ჩამკეტის სელექტორი საათის ისრის საწინააღმდეგო მიმართულებით.
- გააგრძელეთ სიჩქარის/ჩამკეტის სელექტორის გამართვის პოზიციის (O) მიმართულებით ტრიალი მოწყობილობის გამოსართავად.

შენიშვნა: თუ საბერველას ჩართვამდე სიჩქარის/ჩამკეტის სელექტორი არ არის გათიშვის პოზიციაში, იგი არ ჩაირთვება სიჩქარის/ჩამკეტის სელექტორის მოძრაობით, როცა დამუხტული აკუმულატორი მიუერთდება ხელსაწყოს. ეს არის დამცავი მექანიზმი, რომელიც გვეხმარება თავიდან ავიცილოთ ხელსაწყოს უცაბედი ჩართვა. ჰაერის მოძრაობის სიჩქარის ტრიგერის დაჭერისას გაითიშება დანიშნული დამცავი მექანიზმი და ჩაირთვება საბერველა.

რჩევები საბერველას გამოყენებასთან დაკავშირებით (ნახ. K)

მოწყობილობის საბერველას სახით გამოსაყენებლად, მიჰყევით „აწყობის“ ნაწილში მოცემულ ინსტრუქციებს მტვერსასრუტის ნაწილის დასაყენებლად.

- დაუბერეთ ნარჩენი სხეულების გროვის გარეთა კიდეების გასწვრივ, რათა თავიდან აიცილოთ მათი გაფანტვა. არასოდეს დაუბეროთ ნარჩენი საგნების გროვის ცენტრისკენ.
- ხმაურის შესამცირებლად შეზღუდეთ ერთდროულად გამოყენებული ხელსაწყოების რაოდენობა.
- გამოიყენეთ ფოცხი ან ცოცხი საგნების გასაფანტად საბერველას ჩართვამდე. მტრიან პირობებში, ოდნავ დასველეთ ზედაპირი, თუ წყალი ხელმისაწვდომია.
- გაუფრთხილდით წყალს და გამოიყენეთ ელექტრული საბერველა ისეთ არეზე მუშაობისთვის, როგორცაა ღარები, ზადეები, ტერასა, გრილი, აივანი და ზალი.
- მოერიდეთ ზვევებს, შინაურ ცხოველებს, ღია ფანჯრებს ან ახლად გარეცხილ მანქანებს და სხვა მიმართულებით დაუბერეთ ნარჩენ საგნებს.
- საბერველას ან სხვა ხელსაწყოების გამოყენების შემდეგ, გაასუფთავეთ არე! მოახდინეთ ნარჩენი სხეულები ჯეროვანი უტილიზირება.

რჩევები მტვერსასრუტის გამოყენებასთან დაკავშირებით (ნახ. L)

მოწყობილობის მტვერსასრუტის სახით გამოსაყენებლად მიჰყევით „აწყობის“ ნაწილში მოცემულ ინსტრუქციებს მტვერსასრუტის, ფოთლების ტომრის და მზრის ღვედის დასაყენებლად.

- შეამოწმეთ ფოთლის ტომარა ხშირად ცვეთაზე ან დაზიანებაზე.
- მტერის ამოსვლის თავიდან ასაცილებლად, აპარატის ჩართვამდე მთლიანად დახურეთ ფოთლის ტომრის ელვა შესაკრავი.
- დაცარიელეთ ფოთლის ტომარა, სანამ გაივსება.
- მოწყობილობაში წყლის შეღწევის თავიდან ასაცილებლად, გამოიყენეთ მოწყობილობა მიწიდან სველი ფოთლების შესაგროვებლად, მაგრამ არა აუზიდან.



- მოწყობილობაში არ უნდა მოხვდეს ცელოფნის პარკები, ქსოვილი და სხვა საგნები, რომლებიც დამსხვრევა შეუძლებელია და შეიძლება ადვილად ჩაიხლართოს მოწყობილობაში.
- არ დაუშვათ მყარი მასალები, როგორცაა ხის დიდი ნატეხები, ლითონი, მინა, კენჭები და ა.შ., მოწყობილობაში.

ტექნიკური მომსახურება

⚠ გაფრთხილება: ტექნიკური მომსახურებისას გამოიყენეთ მხოლოდ იდენტური სათადარიგო ნაწილები. სხვა ნებისმიერი ნაწილის გამოყენებამ შესაძლოა შექმნას საფრთხე ან გამოიწვიოს მოწყობილობის დაზიანება. უსაფრთხოებისა და საიმედოობის უზრუნველსაყოფად, ყველა სახის შეკეთება უნდა ჩატარდეს ტექ. მომსახურების კვალიფიციური სპეციალისტის მიერ.

⚠ გაფრთხილება: სერიოზული პირადი დაზიანების თავიდან ასაცილებლად, ყოველთვის მოხსენით აკუმულატორი მოწყობილობას გაწმენდის დროს ან როდესაც უტარებთ რაიმე ტიპის სერვისს.

ზოგადი მოვლის პირობები

მორიდეთ გამსხნელების გამოყენებას ხელსაწყოს პლასტმასის ნაწილების გაწმენდას. პლასტმასების უმეტესობა ადვილად ზიანდება მათზე სხვადასხვა სახის კომერციული გამსხნელების გამოყენების შედეგად. გამოიყენეთ სუფთა ტილო ტალახის, მტერის, ზეთის, ცხიმის და სხვ. მოსაცილებლად.

⚠ გაფრთხილება: არცერთ შემთხვევაში არ მისცეთ სატორმუზო სითხეს, ბენზინს, ნავთობის ბაზაზე დამზადებულ პროდუქტებს ან სხვა ძლიერი გამსხნელებს მოვიდნენ პლასტმასის ნაწილებთან კონტაქტში. ქიმიურმა ნაერთებმა შესაძლოა დააზიანოს, გაცვითოს და დაშალოს პლასტმასი, რამაც შეიძლება მოგაყენოთ სერიოზული ზიანი.

შენახვა

- მოხსენით აკუმულატორის ბლოკი მოწყობილობიდან.
- გაწმინდეთ მოწყობილობის ჰაერის ჭავლის შესასვლელი ნებისმიერი უცხო ნარჩენისგან.
- შეინახეთ ის ჩაკეტილ ადგილას, რომელიც ბავშვებისთვის მიუწვდომელია. მოაცილეთ კოროზიის გამომწვევი ნივთიერებები, როგორცაა სოფლის მეურნეობაში გამოყენებული ქიმიკატები და მოყინვის საწინააღმდეგო ტექნიკური მარილი.

გარემოს დაცვა



არ მოათავსოთ ელექტრო მოწყობილობა, ნახშირი დამტენი და აკუმულატორი საყოფაცხოვრებო ნაგავში! მოუტანეთ პროდუქტი ნარჩენების ავტორიზირებულ გადამამუშავებელს და უზრუნველსაყოფით ასეთი ნარჩენის განცალკევებულად შეროვება. ელექტრო ხელსაწყოები უნდა ჩაბარდეს ნარჩენების გადამამუშავებელ ობიექტს.

დეფექტების აღმოჩენა და გამოსწორება

პრობლემა	მიზეზი	გადაჭრის გზა
ფოთლის მტვერსასრუტი არ მუშაობს.	<ul style="list-style-type: none"> ■ მტვერსასრუტსა და აკუმულატორს ბლოკს შორის არ არის ელექტრო კონტაქტი. ■ აკუმულატორის ბლოკი დაცლილია. ■ აკუმულატორი ან საბერველა ზედმეტად გაცხელებულია. ■ მოწყობილობა სრულად არ არის აწყობილი. 	<ul style="list-style-type: none"> ■ მოხსენით აკუმულატორის ბლოკი, შეამოწმეთ კონტაქტები და კვლავ მოათავსეთ იგი უკან. ■ დატენეთ აკუმულატორის ბლოკი. ■ აცალეთ აკუმულატორს ან ფოთლის მტვერსასრუტს გაგრილება 67°C-ის ქვევით. ■ მიჰყევით „აწყობის“ ნაწილში მოცემულ ინსტრუქციებს, რათა მანქანა მთლიანად და სწორად ააწყოთ.
ჰაერის მოძრაობის სიჩქარე საგრძნობლად იკლებს.	<ul style="list-style-type: none"> ■ ჰაერის ჰავლის შესავალი დახშულია უცხო ნარჩენებით. ■ მოტორის ვენტილატორის მნიშვნელოვანი ცვეთა. ■ ძალიან ბევრი ნამსხვრევია ფოთლის ტომარაში. 	<ul style="list-style-type: none"> ■ მოხსენით აკუმულატორი ხელსაწყო, გაწმინდეთ ნარჩენებისგან. ■ დაუკავშირდით EGO სერვის ცენტრს სარემონტო მომსახურებისთვის. ■ დააცარიელებთ ფოთლის ტომარა ინსტრუქციის შესაბამისად, რომელიც მოცემულია „აწყობის“ ნაწილში, ფოთლების ტომრის ამოღება და დაცლა.

გარანტია

EGO-ს გარანტიის მომსახურების წესი

გთხოვთ ეწვიოთ ვებ-გვერდს egopowerplus.eu, რათა მიიღოთ EGO-ს საგარანტო მომსახურების სრული პირობები.

KA

PROČITAJTE SVA UPUTSTVA!



PROČITAJTE PRIRUČNIK ZA RUKOVAOČA

⚠ UPOZORENJE: Da bi se osigurala sigurnost i pouzdanost, sve popravke treba da radi kvalifikovani servisni tehničar.

⚠ UPOZORENJE: Obavezno pročitajte i shvatite sva sigurnosna uputstva u ovom Priručniku za rukovaoca, obuhvatajući i sve simbole sigurnosnih upozorenja poput „**OPASNOST**“, „**UPOZORENJE**“ i „**OPREZ**“ pre korišćenja ovog alata. Nepridržavanje svih dolenađenih uputstava može da dovede do strujnog udara, požara i/ili ozbiljne telesne povrede.

SAČUVAJTE SVA UPOZORENJA I UPUTSTVA ZA BUDUĆU UPOTREBU.

SIMBOLI

⚠ UPOZORENJE: Rukovanje svakim električnim alatom može da dovede do izbacivanja stranih tela ka očima, što može da dovede do ozbiljnog oštećenja očiju. Pre započinjanja rada sa električnim alatom, uvek stavite sigurnosne naočare sa bočnim štitičima ili po potrebi masku za celo lice. Preporučujemo nošenje bezbednosne maske proizvođača Wide Vision preko naočara ili nošenje standardnih zaštitnih naočara sa bočnim štitičima.



Sigurnosno upozorenje



Da bi smanjio rizik od povreda, korisnik pre korišćenja ovog proizvoda mora pročitati i shvatiti priručnik za rukovaoca.



Uvek nosite zaštitu za uši i zaštitu za oči kad rukujete ovim proizvodom.



Držite sve prolaznike na udaljenosti od najmanje 15 m.



Garantovani nivo zvučne snage. Emisija buke u okruženju u skladu je sa Direktivom Evropske unije.



Ovaj proizvod je u skladu sa primenljivim Direktivama EU.



Otpadni električni proizvodi ne smeju da se odlažu sa otpadom iz domaćinstva. Odnosite ih u ovlašćeni centar za reciklažu.



Ovaj proizvod je u skladu sa primenljivim zakonima UK.



Jednosmerna struja



Zaštita od zapluskivanja vode



Napon



U minuti



Milimetar



Brzina bez opterećenja

OPŠTA BEZBEDNOSNA UPOZORENJA O MAŠINAMA

⚠ UPOZORENJE: PROČITAJTE SVA SIGURNOSNA UPOZORENJA, UPUTSTVA, ILUSTRACIJE I SPECIFIKACIJE PRILOŽENE UZ OVU MAŠINU.

Zanemarivanje uputstava navedenih u nastavku može da izazove strujni udar, požar i/ili teške povrede.

SAČUVAJTE SVA UPOZORENJA I UPUTSTVA ZA BUDUĆU UPOTREBU.

Pojam „mašina“ u upozorenjima označava mašinu (sa žicom) koja se uključuje u utičnicu ili mašinu (bežičnu) na baterije.

BEZBEDNOST RADNOG PODRUČJA

- Održavajte radno područje čistim i dobro osvetljenim. Na pretrpanim ili mračnim područjima su veće šanse da dođe do nezgoda.
- Ne rukujte mašinama u eksplozivnim atmosferama, kao na primer u prisustvu zapaljivih tečnosti, gasova ili prašine. Mašine stvaraju varnice koje mogu zapaliti prašinu ili isparenja.
- Držite decu i posmatrača podalje dok rukujete mašinom. Ometanja mogu da rezultuju gubitkom kontrole nad alatom.

ELEKTRIČNA BEZBEDNOST

- Utikač mašine mora odgovarati utičnici. Nikada ne modifikujete utikač ni na koji način. Ne koristite adapterske utikače sa uzemljenim mašinama. Nemodifikovani utikači i odgovarajuće utičnice umanjuje rizik od strujnog udara.
- Izbegavajte kontakt delova tela sa uzemljenim površinama, poput cevi, radijatora, šporeta i frižidera. Postoji povećan rizik od strujnog udara ako je vaše telo uzemljeno.
- Ne izlažite mašine kiši ili mokrim uslovima. Voda koja uđe u mašinu povećava rizik od strujnog udara.
- Nemojte zloupotrebljavati kabl. Nikad ne koristite kabl za nošenje, vučenje ili isključivanje mašine iz utičnice. Čuvajte kabl podalje od toplote, nafte, oštarih ivica ili pokretnih delova. Oštećen ili upetljan kabl povećava rizik od strujnog udara.
- Kada rukujete mašinom na otvorenom prostoru, koristite produžni kabl pogodan za korišćenje na otvorenom prostoru. Upotrebom kabla pogodnog za upotrebu na otvorenom umanjuje se rizik od strujnog udara.
- Ako je korišćenje mašine na vlažnom mestu neizbežno, koristite izvor napajanja sa zaštitnim uređajem diferencijalne struje. Korišćenje GFCl

smanjuje rizik od strujnog udara.

LIČNA BEZBEDNOST

- Ostanite u pripravnosti, gledajte ono što radite i koristite zdrav razum kad rukujete mašinom. Ne koristite mašinu kad ste umorni ili pod uticajem droga, alkohola ili lekova. Trenutak nepažnje kad rukujete mašinama je dovoljan da izazove ozbiljne telesne povrede.
 - Koristite ličnu zaštitnu opremu. Uvek nosite zaštitu za oči. Zaštitna oprema poput maske za prašinu, radnih cipela koje se ne klizaju, šlema ili zaštite sluha će, kada se koristi za odgovarajuće uslove, smanjiti telesne povrede.
 - Sprečite nenamerno pokretanje. Osigurajte da prekidač bude u isključenom položaju pre povezivanja na izvor napajanja i/ili bateriju, podizanja ili nošenja mašine. Nošenje mašina sa prstom na prekidaču ili uključivanje u utičnicu mašina čiji prekidač je u uključenom položaju priziva nezgode.
 - Uklonite sve ključeve za podešavanje pre uključivanja mašine. Ključ koji ostane pričvršćen za rotacioni deo mašine može da izazove telesnu povredu.
 - Ne presežite. U svakom trenutku održavajte pravilan položaj nogu i ravnotežu. To omogućava bolju kontrolu nad mašinom u neočekivanim situacijama.
 - Prikladno se obucite. Nemojte da nosite široku odeću ili nakit. Kosu i odeću uvek držite dalje od delova koji se kreću. Delovi koji se kreću mogu da zahvate široku odeću, nakit ili dugu kosu.
 - Ako su priložena sredstva za povezivanje na uređaje za ekstrakciju i prikupljanje prašine, osigurajte da budu spojena i pravilno korišćena. Upotreba uređaja za prašinu može da smanji opasnosti koje izaziva prašina.
 - Ne dozvolite da zbog poznavanja koje ste stekli kroz čestu upotrebu mašina postanete samozadovoljni i ignorirate principe bezbednosti mašina. Nemaran postupak može da izazove ozbiljnu povredu u deliću sekunde.
- ### KORIŠĆENJE I ODRŽAVANJE MAŠINE
- Ne silite mašinu. Koristite odgovarajuću mašinu za ono što radite. Odgovarajuća mašina uradiće posao bolje i bezbednije onom brzinom za koju je dizajnirana.
 - Ne koristite mašinu ako prekidač ne može da je uključi i isključi. Svaka mašina koja se ne može kontrolisati prekidačem je opasna i mora se popraviti.
 - Odvojite utikač iz izvora napajanja i/ili bateriju iz mašine pre bilo kakvog podešavanja, menjanja podataka ili skladištenja mašina. Takve preventivne sigurnosne mere smanjuju rizik od nehotičnog

pokretanja mašine.

- **Skladištite mašine koje se ne koriste van domašaja dece i ne dozvolite osobama koje nisu upoznate sa ovom mašinom ili ovim uputstvom da rukuju mašinom.** Mašine su opasne u rukama nekvalifikovanih korisnika.
- **Održavajte mašine i pribor. Proveravajte da li ima nepravilnog poravnanja ili zaglavlivanja pokretnih delova, pucanja delova i svih drugih stanja koja mogu da utiču na rad mašine.** Ako je mašina oštećena, odnesite je na popravku pre upotrebe. Mnoge nezgode su izazvane loše održanim mašinama.
- **Održavajte mašine koje seku oštrim i čistim.** Pravilno održavane mašine za sečenje sa oštrim ivicama za sečenje se ređe zapetljivaju i lakše se kontrolišu.
- **Koristite mašinu, dodatke, burgije itd. u skladu sa ovim uputstvom, uzimajući u obzir radne uslove i rad koji treba obaviti.** Korišćenje mašine za rad drugačiji od predviđenog moglo bi da dovede do opasne situacije.
- **Održavajte drške i površine koje hvatate suvim, čistim i bez ulja i masnoće.** Klizave drške i površine koje hvatate ne omogućavaju bezbedno rukovanje i kontrolu mašine u neočekivanim situacijama.

UPOTREBA I ODRŽAVANJE MAŠINA NA BATERIJE

- **Puniti samo punjačem koji navodi proizvođač.** Punjač koji je prikladan za jedan tip baterije može da stvori opasnost od požara kad se koristi sa nekom drugom baterijom.
- **Koristite mašine samo sa konkretno imenovanim baterijama.** Upotreba bilo kakvih drugih baterija može da stvori rizik od povrede i požara.
- **Kad se baterija ne koristi, držite je dalje od drugih metalnih predmeta, poput spjalica, novčića, ključeva, eksera, vijaka ili drugih malih metalnih predmeta koji mogu da naprave spoj jednog terminala sa drugim.** Kratak spoj terminala baterije može da izazove opekotine ili požar.
- **U ekstremnim uslovima može doći do curenja tečnosti iz baterije; izbegavajte kontakt sa njom.** Ako dođe do nehotičnog kontakta, isperite vodom. Ako tečnost dođe u kontakt sa očima, takođe potražite i medicinsku pomoć. Tečnost iz baterije može da izazove iritaciju ili opekotine.
- **Ne koristite bateriju ili mašinu koje su oštećene ili modifikovane.** Oštećene ili modifikovane baterije mogu da ispolje nepredvidivo ponašanje, dovodeći do požara, eksplozije ili rizika od povrede.

- **Ne izlažite bateriju ili mašinu vatri ili previsokoj temperaturi.** Izlaganje vatri ili temperaturi iznad 130 °C može izazvati eksploziju.
- **Pratite sva uputstva za punjenje i ne puniti bateriju ili mašinu izvan temperaturnog opsega navedenog u uputstvima.** Punjenje na nepravilan način ili na temperaturama izvan navedenog opsega može da ošteti bateriju i poveća rizik od požara.

SERVIS

- **Odnosite mašinu na servisiranje kod kvalifikovanog servisera koji će koristiti samo identične rezervne delove.** To će osigurati da bezbednost mašine bude održana.
- **Nikad ne servisirajte oštećene baterije.** Servisiranje baterija treba da radi samo proizvođač ili ovlašćeni servis.

SIGURNOSNA UPOZORENJA ZA DUVAČ/USISIVAČ

- **Ne koristite mašinu u lošim vremenskim uslovima, naročito kad postoji rizik od grmljavine.** Time ćete smanjiti opasnost od udara munje.
- **Često proveravajte da li na kolektoru materijala ima habanja ili propadanja.** Pohaban ili oštećen sakupljač materijala može povećati rizik od telesnih povreda.
- **Nosite zaštitu za oči i zaštitu za uši.** Adekvatna zaštitna oprema će smanjiti rizik od telesnih povreda.
- **Dok rukujete mašinom, uvek nosite zaštitnu obuću koja se ne klizi. Ne rukujte mašinom dok ste bos ili nosite sandale ili papuče.** To smanjuje rizik od povreda stopala.
- **Ne nosite labavu odeću ili artikle poput marama, traka, lanaca, kravata itd, koji bi mogli biti uvučeni u ulaze vazduha.** Zavežite ili pokrijte dugu kosu da biste osigurali da ne bude uvučena u ulaze vazduha. Ako bilo koji od tih predmeta bude uvučen u ulaze vazduha, to može da poveća rizik od telesne povrede.
- **Držite posmatrača dalje dok rukujete mašinom.** Izbačeni materijal može da poveća rizik od telesne povrede.
- **Ne koristite u režimu usisivača bez sakupljača materijala na svom mestu.** Izbačeni predmeti mogu da povećaju rizik od telesne povrede.
- **Nikad ne usmeravajte mlaznicu duvača u smeru ljudi ili kućnih ljubimaca ili u smeru prozora.** Budite naročito pažljivi kad duvate materijal blizu čvrstih predmeta, poput drveta, automobila i zidova, koji mogu da izazovu odbijanje materijala. Izbačeni predmeti mogu da oštete imovinu i povećaju rizik od telesne povrede.

- Ne koristite mašinu za kupljenje ili duvanje ničega što gori ili se dimi, poput cigareta, šibica ili vrućeg pepela. Ti izvori paljenja mogu da povećaju rizik od požara.
- Ne usisavajte vodu ili druge tečnosti i ne uranjajte nijedan deo mašine u tečnost. Voda koja uđe u mašinu može da poveća rizik od strujnog udara.
- Ne usisavajte kamenje, šljunak, metal ili razbijeno staklo. Točak ventilatora se može oštetiti i može povećati rizik od telesnih povreda.
- Ne dodirujte ventilator dok je još uvek u pokretu. Isključite mašinu i sačekajte da se ventilator zaustavi pre uklanjanja bilo kog dela koji može da omogući pristup ventilatoru. To smanjuje rizik od povreda pokretnim delovima.
- Kad čistite zaglavljani materijal ili servisirate mašinu, vodite računa da prekidač napajanja bude isključen. Neočekivano startovanje mašine tokom čišćenja zagavljenog materijala ili servisiranja može da rezultira teškim telesnim povredama.

PROČITAJTE SVA UPUTSTVA PRE KORIŠĆENJA OVOG PROIZVODA!

OBUKA

- Nikad ne dozvolite deci, osobama sa smanjenim fizičkim, senzornim ili mentalnim sposobnostima ili nedostatkom iskustva i znanja ili osobama koje nisu upoznate sa ovim uputstvom da koriste mašinu.
- Rukovalac ili korisnik je odgovoran za nezgode ili opasnosti po druge ljude ili njihovu imovinu.

PRIPREMA

- Ova mašina može da se upotrebljava na kiši ili u mokrim uslovima. Osušite mašinu po završetku posla.
- Pre upotrebe, proverite da li su baterije oštećene. Ne koristite aparat ako su baterije oštećene.

RAD

- Ova mašina može da se upotrebljava na kiši ili u mokrim uslovima. Osušite mašinu po završetku posla.
- Odvojite baterije:
 1. Svaki put kad napuštate mašinu;
 2. Pre čišćenja začepljenja;
 3. Pre proveravanja, čišćenja ili rada na aparatu;
 4. Ako aparat počne abnormalno da vibrira.

- Uvek vodite računa o položaju nogu na nagibima.
- Hodajte; nikad nemojte trčati.
- Držite sve ulaze vazduha za hlađenje čistim od prljavštine.
- Preporučuje se da rukujete mašinom samo u razumno vreme – ne rano ujutro ili kasno uveče kad možete smetati ljudima.
- Preporučuje se da blago ovlažite površinu u prašnjavim uslovima ili da koristite dodatak za prskanje.

⚠ UPOZORENJE: Opasnost od rotirajućih delova!

- Koristite ceo produžetak mlaznice mašine tako da struja vazduha može da radi blizu tla.
- Ne rukujte mašinom blizu otvorenih prozora i sl.

ODRŽAVANJE I SKLADIŠTENJE

- Držite sve navrtnje, zavrtnje i vijke zategnutim da biste bili sigurni da je aparat u bezbednom radnom stanju.
 - Zamenite pohabane ili oštećene delove.
 - Koristite samo originalne rezervne delove i dodatke.
 - Skladištite aparat isključivo na suvom mestu.
- ⚠ UPOZORENJE:** Da biste smanjili rizik od požara, strujnog udara ili povrede:

VAŽNO

PAŽLJIVO PROČITATI PRE UPOTREBE.

SAČUVAJTE ZA BUDUĆU REFERENCJU.

- Ne dozvolite da se mašina koristi kao igračka. Pomna pažnja je neophodna kad ga koriste deca ili kad se koristi u blizini dece.
- Ako mašina ne radi kako bi trebalo, ako je ispuštena, ako je oštećena ili ako je upala u vodu, odnesite je u servisni centar.
- Ne gurajte nikakve predmete ni u kakve otvore. Ne koristite ako je bilo koji otvor blokiran; održavajte otvore čistim od prašine, dlačica, kose i svega što može da smanji protok vazduha.
- Budite veoma pažljivi kad čistite na stepenicama.
- Ne ostavljajte mašinu bez nadzora kad je utikač baterije ukopčan. Izvadite bateriju kad ne koristite mašinu i pre servisiranja.
- Ne rukujte punjačem, obuhvatajući i utikač ili terminale punjača, mokrim rukama.
- Ne punite bateriju na otvorenom prostoru.

SR

⚠ UPOZORENJE:

- Baterija se mora izvaditi iz aparata pre recikliranja.
- Baterija se mora bezbedno odložiti na otpad.
- **NE** pokušavajte da očistite začepljenja iz jedinice a da niste prvo izvadili bateriju.
- **Održavajte mašinu i njenu dršku suvom, čistom i bez ulja i masnoće.** Uvek koristite čistu krpu kad čistite. Nikad ne koristite kočionu tečnost, benzin, proizvode na bazi petroleja ili bilo kakve jake rastvarače za čišćenje mašine. Poštovanje ovog pravila će smanjiti rizik od gubitka kontrole i propadanja plastičnog kućišta.
- **Baterije mogu da eksplodiraju u prisustvu izvora paljenja, poput pilot plamenika.** Da biste smanjili rizik od ozbiljne telesne povrede, nikad ne koristite nikakve bežične proizvode u prisustvu otvorenog plamena. Eksplozija baterije može da izbaci krhotine i hemikalije. Ako im budete izloženi, odmah isperite vodom.
- **Nikad ne pokrećite jedinicu bez pričvršćene odgovarajuće opreme.** Uvek vodite računa da cev mašine bude instalirana.
- **Nikad ne koristite mašinu u blizini vatre ili vrućeg pepela.** Upotreba u blizini vatre ili pepela može da proširi vatru i dovede do ozbiljne povrede i/ili oštećenja imovine.
- **Nikad ne koristite mašinu da širite hemikalije, đubrivo ili bilo kakve druge toksične supstance.** Širenje tih supstanci bi moglo da dovede do ozbiljne povrede rukovaoca ili prolaznika.
- **Sačuvajte ovo uputstvo.** Uputstva upotrebljavajte često i upotrebljavajte ih za upućivanje drugih osoba koje mogu da upotrebljavaju ovu mašinu. Ako pozajmite ovu mašinu nekom drugom, pozajmite i ovo uputstvo da bi se sprečila pogrešna upotreba proizvoda i eventualna povreda.

SAČUVAJTE OVO UPUTSTVO!

SPECIFIKACIJE

Nazivna voltaža		56 V ---
Duvač	Maksimalna zapremina vazduha	850 m ³ /h
	Maksimalna brzina vazduha	64 m/s (samo sa cevi duvača) 93 m/s (sa sušenom mlaznicom)
	Maksimalna sila duvanja	15 N
Usisivač	Maksimalna zapremina vazduha	40 m ³ /h
Maks. Stopa seckanja		16 : 1
Težina (bez baterije i mlaznice)		5,8 kg (usisivač) 4,2 kg (duvač)
Preporučena radna temperatura		-15°C-40°C
Preporučena temperatura skladištenja		-20°C-70°C
Preporučena temperatura punjenja		5°C-40°C
Izmereni nivo zvučne snage L _{WA}		100 dB(A) K=1,9 dB(A)
Nivo zvučnog pritiska u radnom položaju L _{PA}		88 dB(A) K=3 dB(A)
Garantovani nivo zvučne snage L _{WA} (prema 2000/14/EC)		102 dB(A)
Vibracije a _h		Maks. 1,80 m/s ² K=1,5 m/s ²

- Deklarisana ukupna vrednost vibracija je izmerena u skladu sa standardnim metodom testiranja i može se koristiti za upoređivanje jednog alata sa drugim.
- Deklarisana ukupna vrednost vibracije može se koristiti i u preliminarnoj proceni izlaganja.

OBAVEŠTENJE: Emisija vibracija tokom stvarne upotrebe električnog alata može da se razlikuje od deklarisanе vrednosti u kojoj se alat koristi. Da bi se rukovalac zaštitio, korisnik bi trebalo da nosi rukavice i štitnike za uši u stvarnim uslovima korišćenja.

POPIS PAKOVANJA (SLIKA A1)

OPIS

UPOZNAJTE SVOJ USISIVAČ ZA LIŠĆE (SLIKA A1)

1. Mlaznica usisivača
2. Cev usisivača
3. Drška za nošenje za sklapanje usisivača
4. Rešetka ulaza vazduha
5. Prednja drška
6. Dugme za otključavanje baterije
7. Dugme za brzinu/zaključavanje
8. Vešalica remena za rame
9. Glavna drška
10. Okidač za brzinu vazduha
11. Vreća za lišće
12. Remen za rame
13. Električni kontakti
14. Reza
15. Cev duvača
16. Sužena mlaznica

SKLAPANJE

⚠ UPOZORENJE: Ako su neki delovi oštećeni ili nedostaju, nemojte koristiti ovaj proizvod dok delovi ne budu zamenjeni. Korišćenje ovog proizvoda sa oštećenim ili nedostajućim delovima može dovesti do ozbiljnih telesnih povreda.

⚠ UPOZORENJE: Ne pokušavajte da modifikujete ovaj proizvod ili da pravite dodatke koji nisu preporučeni za korišćenje sa ovim proizvodom. Svaka takva promena ili modifikacija je zloupotreba i može dovesti do opasnih uslova koji mogu da dovedu do ozbiljnih telesnih povreda.

⚠ UPOZORENJE: Da biste sprečili nehotično pokretanje koje bi moglo izazvati ozbiljne telesne povrede, uvek uklonite bateriju iz mašine kada sklapate delove.

OBAVEŠTENJE: Mašina se ne može startovati dok cev duvača ili sklop usisivača i vreća za lišće ne budu potpuno i pravilno sklopljeni.

SKLAPANJE/SKIDANJE CEVI DUVAČA

ZA SKLAPANJE (SLIKA B1 I B2)

Poravnajte žleb i gurnite cev na kućište duvača dok se poluga za zaključavanje cevi duvača ne zakači.

B-1	Poluga za zaključavanje cevi duvača
-----	-------------------------------------

ZA UKLANJANJE (SLIKA B3)

Gurnite polugu za zaključavanje duvača da biste deangažovali rezu a zatim uklonite cev.

SKLAPANJE/SKIDANJE SUŽENE MLAZNICE DUVAČA

ZA SKLAPANJE (SLIKA C1 I C2)

Poravnajte žleb na suženoj mlaznici sa dugmetom na cevi i gurnite mlaznicu na cev dok ne škljocne na svoje mesto.

ZA UKLANJANJE (SLIKA C3)

Pritisnite i držite dugme za otpuštanje mlaznice da biste otpustili rezu, a zatim izvucite mlaznicu ravno iz cevi duvača.

SKLAPANJE/SKIDANJE SKLOPA USISIVAČA

ZA SKLAPANJE MLAZNICE USISIVAČA (SLIKA D)

NAPOMENA! Kada se prvi put spoje, nastavak i cev duvača/usisivača lišća postaju jedan sklop duvača/usisivača lišća koji ne može da se rastavi.

Poravnajte žleb i gurnite mlaznicu na cev usisivača dok se dugme za zaključavanje mlaznice usisivača ne zaključa na svom mestu.

ZA SKLAPANJE SKLOPA USISIVAČA

1. Gurnite polugu za zaključavanje cevi usisivača da biste oslobodili rešetku ulaza vazduha a zatim otvorite rešetku (slika E1 i E2).

E-1	Poluga za zaključavanje cevi usisivača
-----	--

2. Poravnajte dva ispućena četvrtasta ugla na sklopu usisivača sa dva udubljena četvrtasta žleba na ulazu vazduha kako je prikazano na slici E3 da biste angažovali sklop.
3. Pritisnite sklop usisivača prema ulazu vazduha dok

se poluga za zaključavanje cevi usisivača ne zakopča (slika E4).

4. Pritisnite rešetku ulaza vazduha na sklop usisivača (slika E5).

ZA SKLAPANJE VREĆE ZA LIŠĆE (SLIKA F)

1. Poravnajte žleb i gurnite konektor vreće za lišće na kućište usisivača dok se poluga za zaključavanje vreće za lišće ne zakači.

F-1	Konektor vreće za lišće	F-3	Petlja za vreću za lišće
F-2	Poluga za zaključavanje vreće za lišće		

2. Okačite kariku za vreću za lišće na kuku na sklopu usisivača kako je prikazano na slici F.

ZA UKLANJANJE I PRAŽNENJE VREĆE ZA LIŠĆE (SLIKA G1)

1. Uklonite petlju za vreću za lišće sa kuke na sklopu usisivača.
2. Gurnite polugu za zaključavanje vreće za lišće da biste deangžovali rezu a zatim uklonite vreću.
3. Otvorite rajsferšlus da biste ispraznili vreću za lišće.

G-1	Rajsferšlus
-----	-------------

ZA UKLANJANJE SKLOPA USISIVAČA (SLIKA G2 I G3)

1. Gurnite polugu za zaključavanje cevi usisivača da biste otključali cev.
2. Uklonite sklop usisivača.
3. Pritisnite rešetku ulaza vazduha prema ulazu vazduha dok se poluga za zaključavanje ne zakači.

MONTIRANJE KAIŠA ZA RAME (SLIKA H)

Pritisnite karabinere kaiša da biste ih otvorili i pričvrstite ih na vešalice za kaiš za rame na oba kraja mašine.

Postoje dva načina za otkopčavanje remena. Skinite ga sa ramena direktno ili pritisnite jedan od karabinera da biste odvojili naramenicu od vešalice za naramenicu.

⚠ UPOZORENJE: Kada nosite naramenicu, ostala odeća ne bi trebalo da ometa njeno oslobađanje i skidanje.

⚠ UPOZORENJE: Ako se desi hitan slučaj, odmah skinite uređaj sa ramena, bez obzira kako je remen namešten.

⚠ UPOZORENJE: Ne bi trebalo da koristite remen za jedno rame i remen za oba ramena istovremeno.

⚠ UPOZORENJE: Ne koristite kaiš za rame i BH1000 EGO ranac u isto vreme. To će sprečiti brzo oslobađanje mašine u hitnom slučaju, rezultujući telesnom povredom.

RAD

⚠ UPOZORENJE: Nemojte dozvoliti da vas poznavanje ovog proizvoda učini nemarnim. Imajte na umu da je za nanošenje teških povreda dovoljan samo delić sekunde nepažnje.

⚠ UPOZORENJE: Uvek nosite zaštitne naočare za bočnim štitnicima i zaštitu za sluh. Nepostupanje u skladu sa tim može da rezultira odbacivanjem predmeta u oči i drugim mogućim teškim povredama.

⚠ UPOZORENJE: Da biste sprečili nehotično pokretanje koje bi moglo izazvati ozbiljne telesne povrede, uvek uklonite bateriju iz alata kada sklapate delove, podešavate, čistite ili kad ga ne koristite.

⚠ UPOZORENJE: Ne koristite nikakve dodatke ili pribor koje nije preporučio proizvođač ovog proizvoda. Upotreba nepreporučenih dodataka ili pribora može da rezultira teškim telesnim povredama.

Pre svake upotrebe pregledajte čitav proizvod radi oštećenih, nedostajućih ili labavih delova poput vijaka, navrtnja, zavrtnja, kapica itd. Čvrsto zategnite sve spojeve i kapice i ne rukujte ovih proizvodom dok svi nedostajući ili oštećeni delovi ne budu zamenjeni.

PRIMENE

Ovaj proizvod možete da upotrebljavate za svrhe navedene u nastavku:

- Prikupljanje lišća, pokošene trave i drugog materijala.
- Čišćenje tvrdih površina poput prilaza i trotoara.
- Održavanje terasa i prilaza čistim od lišća.

OBAVEŠTENJE: Mašinu treba koristiti samo za propisanu svrhu. Svaka druga upotreba smatra se slučajem zloupotrebe.

POSTAVLJANJE/SKIDANJE BATERIJE

Upotrebljavajte samo baterije i punjače proizvođača EGO navedene na slici A2.

NAPOMENA: Potpuno napunite bateriju pre prve upotrebe.

Postavljanje

Poravnajte rebra baterije sa prorezima za montiranje i pritisnite bateriju nadole dok ne čujete „škljoc“ (slika I1).

Za odvajanje (slika I2)

Pritisnite dugme za oslobađanje baterije i izvucite bateriju (slika I2).

⚠ UPOZORENJE: Uvek vodite računa o položaju svojih stopala, dece ili kućnih ljubimaca kad pritisnete dugme za otključavanje baterije. Može doći do ozbiljnih povreda ako baterija ispadne. NIKAD ne vadite bateriju na visokom mestu.

POKRETANJE/ZAUSTAVLJANJE MAŠINE

Samo okidačem za brzinu vazduha

1. Pritisnite okidač za brzinu vazduha da biste uključili mašinu.
2. Brzina vazduha iz mašine se kontroliše okidačem varijabilne brzine. Veći pritisak na okidač daje veću brzinu vazduha; manji pritisak na okidač daje manju brzinu vazduha. Podesite brzinu tako da odgovara poslu koji obavljate.
3. Pustite okidač za brzinu vazduha da biste isključili mašinu.

Samo dugmetom za brzinu/zaključavanje

Mašina se može zaključati na bilo kojoj brzini pomoću dugmeta za brzinu/zaključavanje.

1. Okrenite dugme za brzinu/zaključavanje prema obližnjoj vešalici za remen za rame da biste startovali mašinu. Brzina vazduha će se povećavati kako okrećete dugme dok ne dosegne maksimalnu brzinu (MAX).
2. Da biste smanjili brzinu vazduha, okrenite dugme za brzinu/zaključavanje na suprotnu stranu.
3. Nastavite da okrećete dugme za brzinu/zaključavanje do isključenog položaja (O) da biste stopirali mašinu.

OBAVEŠTENJE: Ako dugme za brzinu/zaključavanje nije vraćeno u isključeni položaj pre vađenja baterije, duvač se neće pokrenuti kad potpuno napunjena baterija bude instalirana. Ovo je zaštitna funkcija koja pomaže da se spreči nehotično pokretanje. Pritisnite okidač za brzinu vazduha da biste deaktivirali zaštitu i pokrenuli duvač.

SAVETI ZA KORIŠĆENJE DUVAČA (slika K)

Za korišćenje mašine kao duvača, pratite uputstva u odeljku **SKLAPANJE** da biste instalirali sklop usisivača.

- Da biste sprečili razbacivanje materijala, duvajte oko spoljašnjih ivica gomile materijala. Nikad ne duvajte direktno u centar gomile.
- Da biste smanjili nivo zvuka, ograničite broj komada električne opreme koji se koriste istovremeno.
- Koristite grablje i metlu da rastresete materijal pre duvanja. U prašnjavim uslovima, blago ovlažite površinu ako je voda dostupna.

- Štedite vodu tako što ćete koristiti električne duvače umesto creva za mnoge primene na travnjaku i u bašti, obuhvatajući površine poput oluka, ograda, terasa, roštilja, tremova i vrtova.
- Pazite na decu, kućne ljubimce, otvorene prozore ili nedavno oprane automobile i duvajte materijal bezbedno dalje od njih.
- Nakon korišćenja duvača ili druge opreme, počistite za sobom! Odložite materijal pravilno na otpad.

SAVETI ZA KORIŠĆENJE USISIVAČA (slika L)

Za korišćenje mašine kao usisivača, pratite uputstva u odeljku **SKLAPANJE** da biste instalirali sklop usisivača, vreću za travu i remen za rame.

- Često proveravajte da li na vreći za lišće ima habanja ili propadanja.
- Da biste izbegli podizanje prašine, potpuno zatvorite rajsferšlus vreće za lišće pre startovanja mašine.
- Ispraznite vreću za lišće pre no što se napuni.
- Da biste sprečili ulazak vode u mašinu, koristite mašinu za prikupljanje mokrog lišća sa zemlje ali ne iz bazena.
- Ne usisavajte plastične kese, krpe i druge predmete koji se ne lome lako i koji mogu lako da se zapetljaju unutar mašine.
- Ne dozvolite da tvrdi materijali, poput krupnih strugotina drveta, metala, stakla, oblutaka itd. budu usisani u mašinu.

ODRŽAVANJE

⚠ UPOZORENJE: Kada obavljate radove servisiranja, upotrebljavajte samo identične zamenske delove. Upotreba bilo kakvih drugih delova može da dovede do opasnosti ili da izazove oštećenje proizvoda. Da bi se osigurala sigurnost i pouzdanost, sve popravke treba da radi kvalifikovani servisni tehničar.

⚠ UPOZORENJE: Da biste izbegli ozbiljne telesne povrede, uvek izvadite bateriju iz proizvoda kad ga čistite ili održavate.

OPŠTE ODRŽAVANJE

Izbegavajte korišćenje rastvarača kada čistite plastične delove. Većina plastike je podložna oštećenjima od raznih tipova komercijalnih rastvarača i može se oštetiti njihovom upotrebom. Za uklanjanje prijavštine, prašine, ulja, masti i sl. upotrebljavajte čiste krpe.

⚠ UPOZORENJE: Nemojte ni u kom trenutku dozvoliti da kočiona tečnost, benzin, proizvodi na bazi benzina, penetraciono ulje itd. dođu u kontakt sa plastičnim delovima. Hemikalije mogu da oštete, oslabe ili unište plastiku, što može da dovede do ozbiljne telesne povrede.

SKLADIŠTENJE

- Izvadite bateriju iz mašine.
- Očistite sav strani materijal iz ulaza vazduha na mašini.
- Skladištite u zatvorenom prostoru koji nije dostupan deci. Držite dalje od korozivnih sredstava, poput baštenskih hemikalija i soli za odmrzavanje.

Zaštita životne sredine



Ne odlažite električnu opremu, potrošene baterije i punjače u kućni otpad!

Odnosite ovaj proizvod u ovlašćeni pogon za reciklažu ili ga odvojite od ostalog smeća radi zasebnog prikupljanja. Električni alati moraju se odneti u ekološki prihvatljiv pogon za reciklažu.

REŠAVANJE PROBLEMA

PROBLEM	UZROK	REŠENJE
Usisivač za lišće ne radi.	<ul style="list-style-type: none"> ■ Nema električnog kontakta između usisivača za lišće i baterije. ■ Punjenje baterije je potrošeno. ■ Baterija ili duvač su prevrući. ■ Mašina nije potpuno sklopljena. 	<ul style="list-style-type: none"> ■ Izvadite bateriju, proverite kontakte i ponovo instalirajte bateriju. ■ Napunite bateriju. ■ Ohladite bateriju i usisivač za lišće dok temperatura ne padne ispod 67 °C. ■ Pratite uputstva u odeljku Sklapanje da biste sklopili mašinu potpuno i pravilno.
Brzina vazduha se značajno smanjuje.	<ul style="list-style-type: none"> ■ Ulaz vazduha je blokiran prljavštinom. ■ Prekomerno habanje ventilatora motora. ■ Previše je materijala unutar vreće za lišće. 	<ul style="list-style-type: none"> ■ Izvadite baterije, očistite prljavštinu. ■ Obratite se EGO servisnom centru radi popravke. ■ Ispraznite vreću za lišće prateći uputstva u poglavlju Za uklanjanje i pražnjenje vreće za lišće u odeljku SKLAPANJE.

GARANCIJA

EGO POLITIKA GARANCIJE

Posetite veb-lokaciju egopowerplus.eu za potpune uslove i odredbe EGO politike garancije.

PROČITAJTE UPUTSTVO U CIJELOSTI!



PROČITAJTE KORISNIČKI PRIRUČNIK.

⚠ UPOZORENJE! Radi osiguranja sigurnosti i pouzdanosti, sve popravke treba obavljati kvalifikovani servisni tehničar.

⚠ UPOZORENJE! Prije upotrebe ovog alata pobrinite se da sva sigurnosna uputstva u ovom korisničkom priručniku, uključujući sve sigurnosne simbole kao što su "OPASNOST", "UPOZORENJE" i "OPREZ" pročitate s razumijevanjem. Zanemarivanje svih uputstava navedenih u nastavku može rezultirati strujnim udarom, požarom i/ili teškim tjelesnim povredama.

SAČUVAJTE SVA UPOZORENJA I UPUTSTVA ZA BUDUĆE POTREBE.

SIGURNOSNI SIMBOLI

⚠ UPOZORENJE! Rukovanje električnim alatima može rezultirati odbacivanjem stranih predmeta u oči, što opet može izazvati teška oštećenja očiju. Prije početka rukovanja električnim alatom, uvijek nosite zatvorene zaštitne naočale ili zaštitne naočale s bočnim štitičnicima, a prema potrebi i štitnik za cijelo lice. Preporučujemo nošenje sigurnosne maske proizvođača Wide Vision preko naočala ili nošenje standardnih zaštitnih naočala s bočnim štitičnicima.



Simbol upozorenja



Radi smanjenja opasnosti od povreda, prije upotrebe ovog proizvoda korisnik treba s razumijevanjem pročitati ovaj korisnički priručnik.



Kada upotrebljavate ovaj proizvod, uvijek nosite zaštitu za sluh i zaštitu za oči.



Sve prisutne osobe držite na udaljenosti od najmanje 15 m.



Zagarantovani nivo zvučne snage. Emisija buke u okruženju u skladu je s Direktivom Evropske unije.



Ovaj proizvod je u skladu s primjenjivim direktivama EU.



Otpadni električni proizvodi ne smiju se odlagati s otpadom iz domaćinstva. Odnosite ih u ovlaštenu centar za reciklažu.



Ovaj proizvod je u skladu s važećim zakonodavstvom Velike Britanije.



Istosmjerna struja

IPX4

Zaštita od prskajuće vode

V

Napon

./min

U minuti

mm

Milimetar

n_0

Brzina vrtnje bez opterećenja

OPĆA SIGURNOSNA UPOZORENJA ZA MAŠINE

⚠ UPOZORENJE! PROČITAJTE SVA SIGURNOSNA UPOZORENJA, UPUTSTVA, SVE ILUSTRACIJE I SPECIFIKACIJE ISPORUČENE S OVOM MAŠINOM. Zanemarivanje svih uputstava navedenih u nastavku može rezultirati strujnim udarom, požarom i/ili teškim povredama.

SAČUVAJTE SVA UPOZORENJA I UPUTSTVA ZA BUDUĆE POTREBE.

Pojam "mašina" u upozorenjima odnosi se na vašu mašinu na strujni pogon (s kablom) ili mašinu na baterijski pogon (bez kabla).

SIGURNOST RADNOG PODRUČJA

- Radno područje održavajte čistim i dobro osvijetljenim. Pretrpana ili mračna područja izazivaju nesreće.
- Mašine nemojte upotrebljavati u eksplozivnim atmosferama, kao na primjer u prisutnosti zapaljivih tekućina, plinova ili prašine. Mašine stvaraju iskre koje mogu zapaliti prašinu ili isparenja.
- Djecu i druge prisutne osobe držite podalje tokom rada mašine. Ometanja mogu rezultirati gubitkom kontrole nad mašinom.

ELEKTRIČNA SIGURNOST

- Utikači mašine moraju odgovarati utičnici. Nemojte modifikovati utikač ni na koji način. Nemojte upotrebljavati utikače adaptera s uzemljenim mašinama. Nemodifikovani utikači i odgovarajuće utičnice umanjit će rizik od strujnog udara.
- Izbjegavajte kontakt tijela s uzemljenim površinama, kao što su slavine, radijatori, peći i frižideri. Postoji povećan rizik od strujnog udara ako je vaše tijelo uzemljeno.
- Nemojte izlagati mašine kiši ili mokrim uslovima. Prodiranjem vode u mašinu povećat će se opasnost od strujnog udara.
- Nemojte nepropisno upotrebljavati kabl. Kabel nemojte nikada upotrebljavati za nošenje, povlačenje ili isključivanje mašine iz strujnog napajanja. Kabel držite podalje od topline, ulja, oštih rubova ili pokretnih dijelova. Oštećeni ili isprepleteni kabeli povećavaju rizik od strujnog udara.
- Kada mašinom radite na otvorenom, upotrebljavajte produžni kabl prikladan za upotrebu na otvorenom. Upotrebom kabla prikladnog za upotrebu na otvorenom smanjuje se rizik od strujnog udara.
- Ako je rad s mašinom u vlažnom području neizbježan, upotrebljavajte napajanje sa zaštitnim

uređajem diferencijalne struje. Upotrebom zaštitnog uređaja diferencijalne struje smanjuje se rizik od strujnog udara.

LIČNA SIGURNOST

- Budite oprezni, gledajte šta radite i koristite se uobičajenim osjećajem kada upotrebljavate mašinu. Nemojte upotrebljavati mašinu kada ste umorni ili pod uticajem opojnih sredstava, alkohola ili lijekova. Trenutak nepažnje tokom rada mašina može rezultirati teškim tjelesnim povredama.
- Upotrebljavajte ličnu zaštitnu opremu. Uvijek nosite zaštitu za oči. Zaštitna oprema poput maske za zaštitu od prašine, neklizajuće sigurnosne obuće, kacige ili zaštite za sluh upotrijebljena za odgovarajuće uslove smanjit će tjelesne povrede.
- Spriječite nenamjerno pokretanje. Prije spajanja na izvor napajanja i/ili komplet baterija, uzimanja ili nošenja mašine uvjerite se da se prekidač nalazi u isključenom položaju. Nošenje mašina s prstom na prekidaču ili napajanje mašina koje imaju uključen prekidač izaziva nesreće.
- Prije uključivanja mašine uklonite sve ključeve za podešavanje ili nasadne ključeve. Nasadni ključ ili ključ za podešavanje ostavljen pričvršćen na rotacijski dio mašine može rezultirati tjelesnim povredama.
- Nemojte se previše naginjati prema naprijed. Cijelo vrijeme održavajte propisno držanje i ravnotežu. To će omogućiti bolju kontrolu nad mašinom u neočekivanim situacijama.
- Obucite se prikladno. Nemojte nositi široku odjeću ili nakit. Kosu i odjeću uvijek držite podalje od dijelova koji se kreću. Dijelovi koji se kreću mogu zahvatiti široku odjeću, nakit ili dugu kosu.
- Ako su uređaji namijenjeni za spajanje sistema za izvlačenje i sakupljanje prašine, pobrinite se da se propisno spoje i upotrebljavaju. Upotrebom uređaja za sakupljanje prašine mogu se smanjiti opasnosti koje se odnose na prašinu.
- Nemojte dozvoliti da vas poznavanje mašina stečeno čestom upotrebom učini samodopadnim pa da zanemarite sigurnosne principe za mašinu. Nemarne radnje u djeliću sekunde mogu rezultirati teškim povredama.

UPOTREBA I NJEGA MAŠINE

- Izbjegavajte preveliko opterećenje mašine. Upotrebljavajte pravilnu mašinu za svoju primjenu. Pravilna mašina bolje će i sigurnije odraditi posao pri brzini za koju je predviđena.

- **Nemojte upotrebljavati mašinu ako se ne uključuje i ne isključuje putem prekidača.** Svaka mašina koja se ne može kontrolisati prekidačem opasna je i potrebno ju je popraviti.
 - **Prije obavljanja podešavanja, zamjene dodatne opreme ili skladištenja mašine isključite utikač iz izvora napajanja i/ili komplet baterija iz mašine.** Takve preventivne sigurnosne mjere smanjuju rizik od iznenadnog pokretanja mašine.
 - **Nekorištene mašine skladištite izvan dohvata djece i nemojte dozvoliti da osobe koje ne poznaju mašinu ili ova uputstva upotrebljavaju mašinu.** Mašine su opasne u rukama neobučanih korisnika.
 - **Održavajte mašine i dodatnu opremu.** Provjerite jesu li pokretni dijelovi centrirani ili spojeni, ima li polomljenih dijelova i postoji li stanje koje može uticati na rad mašine. Ako je oštećena, mašinu popravite prije upotrebe. Loše održavane mašine uzrok su mnogih nesreća.
 - **Rezne mašine održavajte oštrima i čistima.** Propisno održavane rezne mašine s oštrim reznim rubovima manje će se zaglavljivati i lakše su za upravljanje.
 - **Mašinu, dodatnu opremu i nastavke mašine, itd., upotrebljavajte u skladu s ovim uputstvima, uzimajući u obzir radne uslove i posao koji je potrebno obaviti.** Upotreba mašine za radove drukčije od namjenskih može rezultirati opasnim situacijama.
 - **Rukohvate i površine rukohvata održavajte suhim, čistim i očišćenim od ulja i masti.** Skliski rukohvati i skliske površine rukohvata onemogućuju sigurno rukovanje i upravljanje mašinom u neočekivanim situacijama.
- ### UPOTREBA I NJEGA AKUMULATORSKIH MAŠINA
- **Punjenje obavljajte samo s punjačem kojeg je naveo proizvođač.** Punjač koji je prikladan za jedan tip kompleta baterija može stvoriti rizik od požara ako ga se upotrebljava s drugim kompletom baterija.
 - **Mašine upotrebljavajte samo s izričito navedenim kompletima baterija.** Upotreba drugih kompleta baterija može izazvati rizik od povreda i požara.
 - **Kada se komplet baterija ne upotrebljava, držite ga podalje od drugih metalnih predmeta poput spajalica za papir, kovanica, ključeva, eksera, vijaka ili drugih malih metalnih predmeta koji mogu međusobno spojiti kontakte.** Kratko spajanje baterijskih kontakata može uzrokovati opekotine ili požar.
 - **U slučaju pogrešne upotrebe, baterija može izbaciti tekućinu; izbjegavajte kontakt.** Ako slučajno dođe do kontakta, zahvaćena mjesta isperite vodom. Ako

tekućina dođe u kontakt s očima, dodatno potražite pomoć ljekara. Tekućina koju izbacila baterija može uzrokovati nadražaj kože ili opekotine.

- **Nemojte upotrebljavati oštećen ili modifikovan komplet baterija niti oštećenu ili modifikovanu mašinu.** Oštećene ili modifikovane baterije mogu pokazati nepredvidivo ponašanje koje može rezultirati požarom, eksplozijom ili rizikom od povreda.
- **Komplet baterija ili mašinu nemojte izlagati vatri ili previsokoj temperaturi.** Izlaganje vatri ili temperaturi višoj od 130 °C može uzrokovati eksploziju.
- **Pridržavajte se svih uputstava za punjenje i komplet baterija ili mašinu nemojte puniti izvan okvira opsega temperature navedenog u uputstvu.** Nepropisno punjenje ili punjenje pri temperaturama izvan okvira određenog opsega može oštetiti bateriju i povećati rizik od požara.

SERVISIRANJE

- **Servisiranje mašine prepustite kvalifikovanom osoblju za popravak koje upotrebljava samo identične zamjenske dijelove.** Time će se osigurati održavanje sigurnosti mašine.
- **Nemojte nikada servisirati oštećene komplete baterija.** Servisiranje kompleta baterija smiju obavljati samo proizvođač ili ovlašteni serviseri.

SIGURNOSNA UPOZORENJA ZA PUHAČ/USISIVAČ

- **Mašinu nemojte upotrebljavati u lošim vremenskim uslovima, a posebno kada postoji opasnost od grmljavine.** Time ćete smanjiti rizik od udara groma.
- **Često provjeravajte je li sakupljač otpada istrošen ili dotrajavao.** Istrošeni ili oštećeni sakupljač otpada može povećati rizik od tjelesnih povreda.
- **Nosite zaštitu za oči i sluh.** Upotrebom odgovarajuće zaštitne opreme umanjiti će se rizik od tjelesnih povreda.
- **Kada upotrebljavate mašinu, uvijek nosite zaštitnu obuću koja ne klizi.** Mašinu nemojte upotrebljavati kada ste bos ili kada nosite otvorenu obuću. Tako ćete umanjiti rizik od povreda stopala.
- **Nemojte nositi široku odjeću ili predmete kao što su šalovi, uzice, lančići, kravate itd. koji mogu da se uvuku u ulazne otvore za zrak.** Zavežite ili pokrijite dugu kosu kako biste osigurali da se ne uvuče u ulazne otvore za zrak. Uvlačenje bilo čega od navedenog u ulazne otvore za zrak može povećati rizik od povreda.
- **Kada upotrebljavate mašinu, udaljite prisutne**

osobe. Odbačeni otpad može povećati rizik od povreda.

- Mašinu nemojte upotrebljavati u režimu rada usisavanja bez postavljenog sakupljača otpada. Odbačeni predmeti mogu povećati rizik od tjelesnih povreda.
- Mlaznicu puhača nemojte nikada usmjeravati prema ljudima ili kućnim ljubimcima ili prema prozorima. Budite posebno oprezni kada otpuhujete otpad u blizini čvrstih predmeta kao što su drveće, automobili i zidovi jer može doći do odbijanja predmeta. Odbačeni predmeti mogu uzrokovati materijalnu štetu i povećati rizik od tjelesnih povreda.
- Mašinu nemojte upotrebljavati za podizanje ili otpuhivanje predmeta koji gore ili dime, kao što su cigarete, šibice ili vrući pepeo. Ovi izvori paljenja mogu povećati rizik od požara.
- Nemojte usisavati vodu ili druge tekućine niti uranjati bilo koji dio mašine u tekućine. Prodirlanjem vode u mašinu povećat će se rizik od strujnog udara.
- Nemojte usisavati kamenje, šljunak, metal ili razbijeno staklo. Može doći do oštećenja rotora ventilatora, a time i povećanja rizika od tjelesnih povreda.
- Nemojte dodirivati ventilator dok se kreće. Isključite mašinu i pričekajte da se ventilator zaustavi prije uklanjanja dijelova koji bi mogli omogućiti pristup ventilatoru. Time se smanjuje rizik od povreda pokretnim dijelovima.
- Kada uklanjate zaglavljeni materijal ili servisirate mašinu, uvjerite se da je strujni prekidač isključen. Neočekivano pokretanje mašine tokom čišćenja zaglavljenog materijala ili servisiranja može rezultirati teškim tjelesnim povredama.

PRIJE UPOTREBE OVOG PROIZVODA PROČITAJTE SVA UPUTSTVA!

OBUKA

- Nemojte nikada dozvoliti da ovaj uređaj upotrebljavaju djeca, osobe ograničenih fizičkih, čulnih ili mentalnih sposobnosti ili nedovoljnog iskustva i znanja ili osobe koje nisu upoznate s ovim uputstvima.
- Rukovalac ili korisnik odgovoran je za nesreće ili opasnosti za druge osobe ili njihovu imovinu.

PRIPREMA

- Ova mašina može se upotrebljavati na kiši ili u mokrim uslovima. Mašinu osušite nakon završetka radova.

- Prije upotrebe provjerite jesu li baterije ili kompleti baterija oštećeni. Nemojte upotrebljavati uređaj ako su baterije ili komplet baterija oštećeni.

RAD

- Ova mašina može se upotrebljavati na kiši ili u mokrim uslovima. Mašinu osušite nakon završetka radova.
- Odspojite baterije ili komplete baterija:
 1. kada ostavljate mašinu;
 2. prije uklanjanja blokade;
 3. prije provjere, čišćenja ili rada na uređaju;
 4. ako uređaj počne da neuobičajeno vibrira.
- Uvijek osigurajte dobro uporište na nagibima.
- Hodajte, nemojte nikada trčati.
- Sve ulazne otvore zraka za hlađenje održavajte očišćenim od nečistoća.
- Preporučujemo da uređaj upotrebljavate samo u razumna doba dana – ne rano ujutro ili kasno navečer kada možete smetati ljudima.
- U prašnjavim uslovima preporučujemo da blago navlažite površine ili da upotrebljavate priključak raspršivača.

⚠ UPOZORENJE! Opasnost od rotirajućih dijelova!

- Upotrebljavajte cijeli produžetak mlaznice mašine tako da zrak može strujati blizu tla.
- Nemojte upotrebljavati mašinu u blizini otvorenih prozora, itd.

ODRŽAVANJE I SKLADIŠTENJE

- Sve matice, matične vijke i vijke održavajte pritegnutima radi osiguranja sigurnog radnog stanja uređaja.
- Zamijenite istrošene ili oštećene dijelove.
- Upotrebljavajte samo originalne zamjenske dijelove i dodatnu opremu.
- Uređaj skladištite samo na suhom mjestu.

⚠ UPOZORENJE! Radi smanjenja opasnosti od požara, strujnog udara ili povreda:

VAŽNO!

PAŽLJIVO PROČITAJTE PRIJE UPOTREBE.

SAČUVAJTE ZA BUDUĆE POTREBE.

- Mašina se ne smije upotrebljavati kao igračka. Potreban je poseban oprez kada ventilator

upotrebljavaju djeca ili kada se upotrebljava u blizini djece.

- Ako mašina ne radi propisno, ako je ispala, oštećena ili ako je pala u vodu, vratite je u servisni centar.
- Nemojte stavljati predmete u otvore mašine. Nemojte upotrebljavati mašinu ako su otvori blokirani. Otvore održavajte očišćenim od prašine, vlakana, dlaka i svega ostalog što može smanjiti protok zraka.
- Budite posebno oprezni kada čistite na stepenicama.
- Mašinu nemojte ostavljati bez nadzora kada je utikač baterije utaknut. Izvadite bateriju kada ne upotrebljavate mašinu i prije radova servisiranja.
- Punjačem, uključujući utikač punjača ili priključke punjača, nemojte rukovati mokrih ruku.
- Komplet baterija nemojte puniti na otvorenom.

⚠ UPOZORENJE!

- Komplet baterija je potrebno izvaditi iz uređaja prije odlaganja u otpad.

- Bateriju je potrebno odložiti u otpad na siguran način.

- **NEMOJTE** pokušavati da čistite začepljenja iz jedinice, a da prethodno niste izvadili bateriju.
- **Mašinu i pripadajuće rukohvate održavajte suhim, čistim i očišćenim od ulja i masti.** Za čišćenje uvijek upotrebljavajte čistu krpu. Za čišćenje mašine nemojte nikada upotrebljavati koćione tekućine, benzin, proizvode na bazi nafte ili jaka otapala. Pridržavanjem ovog pravila smanjit će se opasnost od gubitka kontrole nad uređajem i trošenje plastičnih dijelova kućišta.
- **Baterije mogu eksplodirati u prisutnosti izvora paljenja, kao što je plinski plamen.** Radi izbjegavanja opasnosti od teških tjelesnih povreda, akumulatorski proizvod nemojte nikada upotrebljavati u prisutnosti otvorenog plamena. Eksplodirana baterija može izbaciti krhotine i hemikalije. U slučaju izlaganja zahvaćena mjesta odmah isperite vodom.
- **Jedinicu nemojte nikada pokretati bez propisno pričvršćene opreme.** Uvijek se uvjerite da je cijev mašine postavljena.
- **Mašinu nemojte nikada upotrebljavati u blizini vatre ili vrućeg pepela.** Upotreba u blizini vatre ili pepela može izazvati požar i rezultirati teškim povredama i/ili materijalnim štetama.
- **Mašinu nemojte nikada upotrebljavati za raspršivanje hemikalija, gnojiva ili drugih toksičnih**

supstanci. Raspršivanje takvih supstanci može rezultirati teškim povredama rukovaoca ili drugih prisutnih osoba.

- **Sačuvajte ova uputstva.** Uputstvima se koristite često i upotrebljavajte ih za upućivanje drugih osoba koje mogu upotrebljavati ovu mašinu. Ako ovu mašinu nekom posudite, priložite i ovo uputstvo radi sprečavanja nepropisne upotrebe proizvoda i mogućih povreda.

SAČUVAJTE OVA UPUTSTVA!

TEHNIČKI PODACI

Nazivni napon		56 V $\overline{\text{---}}$
Puhač lišća	Maksimalna količina zraka	850 m ³ /h
	Maksimalna brzina zraka	64 m/s (samo sa cijevi puhača lišća)
		93 m/s (s konusnom mlaznicom)
	Maksimalna sila puhanja	15 N
Usisivač	Maksimalna količina zraka	40 m ³ /h
Maks. brzina usitnjavanja		16 : 1
Masa (bez kompleta baterija i mlaznice)		5,8 kg (usisivač) 4,2 kg (puhač lišća)
Preporučena radna temperatura		-15°C-40°C
Preporučena temperatura skladištenja		-20°C-70°C
Preporučena temperatura punjenja		5°C-40°C
Izmjereni nivo zvučne snage L _{WA}		100 dB(A) K=1,9 dB(A)
Nivo zvučnog pritiska u radnom položaju L _{PA}		88 dB(A) K=3 dB(A)
Zagarantovani nivo zvučne snage L _{WA} (u skladu s Direktivom 2000/14/EZ)		102 dB(A)

Vibracije a_n	Maks. 1,80 m/s ² K=1,5 m/s ²
-----------------	---

- Deklarisane ukupne vrijednosti vibracija izmjerene su u skladu sa standardnom metodom ispitivanja i mogu se primjenjivati za poređenje jednog alata s drugim.
- Deklarisane ukupne vrijednosti vibracija mogu se primjenjivati i u preliminarnoj procjeni izloženosti.

NAPOMENA! Emisija vibracija tokom aktuelne upotrebe električnog alata može se razlikovati od deklarisanе vrijednosti u kojoj se alat upotrebljavao; korisnik radi zaštite treba nositi rukavice i štitnike za uši u aktuelnim uslovima upotrebe.

SADRŽAJ PAKOVANJA (SL. A1)

OPIS

UPOZNAJTE SVOJ USISIVAČ ZA LIŠĆE (SL. A1)

1. Usisna mlaznica
2. Usisna cijev
3. Ručka za nošenje sklopa usisivača
4. Rešetka za ulaz zraka
5. Prednji rukohvat
6. Dugme za oslobađanje baterije
7. Dugme za odabir brzine/zabavljanje
8. Držać ramene trake
9. Glavna ručka
10. Okidni prekidač za brzinu zraka
11. Vreća za lišće
12. Ramena traka
13. Električni kontakti
14. Bravica
15. Cijev puhača lišća
16. Konusna mlaznica

SASTAVLJANJE

⚠ UPOZORENJE! Ako je bilo koji dio oštećen ili ako nedostaje, nemojte upotrebljavati ovaj proizvod dok ne zamijenite dijelove. Upotreba ovog proizvoda oštećenih dijelova ili dijelova koji nedostaju može rezultirati teškim tjelesnim povredama.

⚠ UPOZORENJE! Nemojte pokušavati da modifikujete ovaj proizvod ili da pravite pribor koji nije preporučen

za upotrebu s ovim proizvodom. Sve takve izmjene ili modifikacije predstavljaju nepropisnu upotrebu i mogu rezultirati opasnim stanjima koja mogu dovesti do mogućih teških tjelesnih povreda.

⚠ UPOZORENJE! Radi sprečavanja iznenadnog pokretanja koje može uzrokovati teške tjelesne povrede, uvijek izvadite komplet baterija iz mašine kada sastavljate dijelove.

NAPOMENA! Mašinu nije moguće pokrenuti dok se cijev puhača lišća ili sklop usisivača i vreća za lišće potpuno i pravilno ne postave.

POSTAVLJANJE/UKLANJANJE CIJEVI PUHAČA LIŠĆA

POSTAVLJANJE (SL. B1 I B2)

Poravnajte žlijeb i gurnite cijev na kućište puhača lišća dok se ručica za zabavljanje cijevi puhača lišća ne zabravi.

B-1	Ručica za zabavljanje cijevi puhača lišća
-----	---

UKLANJANJE (SL. B3)

Gurnite ručicu za zabavljanje cijevi puhača lišća da otpustite bravicu, a zatim uklonite cijev.

POSTAVLJANJE/UKLANJANJE KONUSNE MLAZNICE PUHAČA LIŠĆA

POSTAVLJANJE (SL. C1 I C2)

Poravnajte žlijeb u konusnoj mlaznici s okretnim dugmetom cijevi i gurnite mlaznicu na cijev da čujno nalegne.

UKLANJANJE (SL. C3)

Pritisnite dugme za otpuštanje mlaznice i držite ga pritisnutim da otpustite bravicu i mlaznicu zatim povucite ravno sa cijevi puhača lišća.

POSTAVLJANJE/UKLANJANJE SKLOPA USISIVAČA

POSTAVLJANJE USISNE MLAZNICE (SL. D)

NAPOMENA! Nastavak i cijev puhača/usisivača lišća nakon prvog spajanja postaju sklop puhača/usisivača lišća koji se ne može rastaviti.

Poravnajte žlijeb i gurnite mlaznicu na usisnu cijev dok dugme za zabavljanje usisne mlaznice ne nalegne u svoje mjesto.

POSTAVLJANJE SKLOPA USISIVAČA

1. Gurnite ručicu za zabavljanje usisne cijevi da otpustite rešetku za ulaz zraka, a zatim otvorite rešetku (sl. E1 i E2).

E-1	Ručica za zabavljanje usisne cijevi
-----	-------------------------------------

BS

- Poravnajte dva podignuta četvrtasta ugla na sklopu usisivača s dva udubljena četvrtasta žlijeba na ulaznom otvoru za zrak kako je prikazano na slici E3 da sklop ulegne u svoje mjesto.
- Sklop usisivača pritisnite na ulazni otvor za zrak tako da ručica za završljivanje usisne cijevi zabravi (sl. E4).
- Rešetku za ulaz zraka pritisnite na sklop usisivača (sl. E5).

POSTAVLJANJE VREĆE ZA LIŠĆE (SL. F)

- Poravnajte žlijeb i gurnite spojnicu vreće za lišće na kućište usisivača dok se ručica za završljivanje vreće za lišće ne zabravi.

F-1	Spojnica vreće za lišće	F-3	Omča vreće za lišće
F-2	Ručica za završljivanje vreće za lišće		

- Omču vreće za lišće objesite na kuku na sklopu usisivača kako je prikazano na sl. F.

UKLANJANJE I PRAŽNENJE VREĆE ZA LIŠĆE (SL. G1)

- Uklonite omču vreće za lišće s kuke na sklopu usisivača.
- Gurnite ručicu za završljivanje vreće za lišće da otpustite bravicu, a zatim uklonite vreću.
- Otvorite patentni zatvarač da ispraznite vreću za lišće.

G-1	Patentni zatvarač
-----	-------------------

UKLANJANJE SKLOPA USISIVAČA (SL. G2 I G3)

- Gurnite ručicu za završljivanje usisne cijevi da odbravite cijev.
- Uklonite sklop usisivača.
- Pritisnite rešetku za ulaz zraka na ulazni otvor za zrak tako da ručica za završljivanje zabravi.

POSTAVLJANJE RAMENE TRAKE (SL. H)

Pritisnite karabiner kuke da ih otvorite i pričvrstite ih na držače ramene trake na oba kraja mašine.

Postoje dva načina za otpuštanje trake. Direktno je skinite s ramena ili pritisnite jednu karabiner kuku i ramenu traku skinite s držača ramene trake.

⚠ UPOZORENJE! Kada nosite ramenu traku, nijedan drugi komad odjeće ne smije ometati otpuštanje i uklanjanje ramene trake.

⚠ UPOZORENJE! U slučaju nužde ramenu traku odmah skinite s ramena, bez obzira na način na koji je stavljena.

⚠ UPOZORENJE! Jednostavna i dvostruka ramena traka ne smiju se istovremeno upotrebljavati.

⚠ UPOZORENJE! Nemojte istovremeno upotrebljavati ramenu traku i EGO priključak za sistem za nošenje na leđima BH1000. To će spriječiti brzo otpuštanje mašine u slučaju nužde, što može dovesti do tjelesnih povreda.

RAD

⚠ UPOZORENJE! Nemojte dozvoliti da vas poznavanje ovog proizvoda učini nepažljivim. Imajte na umu da je za nanošenje teških povreda dovoljan samo djelić sekunde nepažnje.

⚠ UPOZORENJE! Uvijek nosite zaštitne naočale s bočnim štitnicima, zajedno sa zaštitom za sluh. Nepostupanje u skladu s tim može rezultirati odbacivanjem predmeta u oči i drugim mogućim teškim povredama.

⚠ UPOZORENJE! Radi sprečavanja iznenadnog pokretanja koje može uzrokovati teške tjelesne povrede, uvijek izvadite komplet baterija iz alata kada postavljate dijelove, obavljate radove podešavanja, čišćenja ili kada ne upotrebljavate alat.

⚠ UPOZORENJE! Nemojte upotrebljavati priključke ili pribor koje nije preporučio proizvođač ovog proizvoda. Upotreba nepreporučenih priključaka ili pribora može rezultirati teškim tjelesnim povredama.

Prije svake upotrebe pregledajte cijeli proizvod i provjerite ima li oštećenih dijelova, dijelova koji nedostaju ili otpuštenih dijelova, kao što su vijci, matice, osovine, kapice, itd. Čvrsto pritegnite sve pričvrstne elemente i kapice i nemojte upotrebljavati ovaj proizvod dok se ne zamijene svi dijelovi koji nedostaju ili koji su oštećeni.

PRIMJENE

Ovaj proizvod možete upotrebljavati za svrhe navedene u nastavku:

- Sakupljanje lišća, pokošene trave i drugog otpada.
- Čišćenje čvrstih površina kao što su putevi i staze.
- Održavanje trijemova i puteva očišćenim od lišća.

NAPOMENA! Mašina se smije upotrebljavati samo za prethodno opisane namjene. Svaka druga upotreba smatra se nepropisnom upotrebom.

POSTAVLJANJE/SKIDANJE KOMPLETA BATERIJA

Proizvod upotrebljavajte samo s EGO kompletima baterija i punjačima koji su navedeni na sl. A2.

NAPOMENA! Komplet baterija potpuno napunite prije prve upotrebe.

Postavljanje

Poravnajte kontakte baterije s montažnim utorima i pritisnite komplet baterija prema dolje dok ne začujete zvuk klikanja (sl. I1).

Skidanje (sl. I2)

Pritisnite dugme za oslobađanje baterije i izvucite komplet baterija (sl. I2).

⚠ UPOZORENJE! Kada pritisćete dugme za oslobađanje baterije, uvijek pazite na položaj stopala, djecu ili kućne ljubimce. Ako komplet baterija padne, može doći do teških povreda. Komplet baterija nemojte NIKADA vaditi na visokom položaju.

POKRETANJE/ZAUSTAVLJANJE MAKAZA ZA ŽIVICU

Samo okidni prekidač za brzinu zraka

1. Za uključivanje mašine pritisnite okidni prekidač za brzinu zraka.
2. Brzinom zraka mašine upravlja se putem okidnog prekidača za varijabilnu brzinu. Veći pritisak na okidni prekidač rezultira višim brzinama zraka, a manji pritisak na okidni prekidač nižim brzinama zraka. Prilagodite brzinu trenutnom zadatku.
3. Za isključivanje mašine otpustite okidni prekidač za brzinu zraka.

Samo dugme za odabir brzine/zabavljanje

Mašina se može završiti pri bilo kojoj brzini pomoću dugmeta za odabir brzine/zabavljanje.

1. Za pokretanje mašine okrenite dugme za odabir brzine/zabavljanje prema susjednom držaču ramene trake. Brzina zraka se povećava kako okrećete dugme do dostizanja najveće brzine (MAX).
2. Za smanjenje brzine zraka okrenite dugme za odabir brzine/zabavljanje u suprotnu stranu.
3. Za zaustavljanje mašine nastavite okretati dugme za odabir brzine/zabavljanje do položaja isključivanja (O).

NAPOMENA! Ako se dugme za odabir brzine/zabavljanje ne okrene nazad u isključeni položaj prije uklanjanja baterije, puhač lišća neće se pokrenuti kada se postavi potpuno napunjena baterija. To je zaštitna funkcija za sprečavanje iznenadnog pokretanja. Za deaktivaciju zaštite i pokretanje puhača lišća pritisnite okidni prekidač za brzinu zraka.

SAVJETI ZA UPOTREBU PUHAČA LIŠĆA (sl. K)

Za upotrebu mašine kao puhača lišća pratite uputstva u poglavlju **SASTAVLJANJE** za postavljanje sklopa usisivača.

- Puhač lišća usmjeravajte oko vanjskih rubova hrpe otpada da izbjegnute rasipanje otpada. Puhač lišća nemojte nikada usmjeravati u sredinu hrpe.
- Ograničite broj električne opreme koji se upotrebljavaju u isto vrijeme da smanjite nivo buke.
- Za odvajanje otpada prije otpuhivanja upotrebljavajte grablje i metle. U prašnjavim uslovima blago navlažite površine ako je voda dostupna.
- Štedite vodu upotrebom električnog puhača lišća umjesto crijeva za mnoge primjene na travnjaku i vrtu, uključujući područja kao što su oluci, zaštitne rešetke, terase, roštilji, verande i vrtovi.
- Pazite na djecu, kućne ljubimce, otvorene prozore ili svježe oprane automobile i na siguran način otpušite otpad.
- Puhače lišća ili drugu opremu očistite nakon upotrebe! Propisno zbrinite otpad.

SAVJETI ZA UPOTREBU USISIVAČA (sl. L)

Za upotrebu mašine kao usisivača pratite uputstva u poglavlju **SASTAVLJANJE** za postavljanje sklopa usisivača, vreće za lišće i ramene trake.

- Redovno provjeravajte je li vreća za lišće istrošena ili oštećena.
- Prije pokretanja mašine potpuno zatvorite patentni zatvarač vreće za lišće da izbjegnute dizanje prašine.
- Vreću za lišće ispraznite prije nego što se potpuno napuni.
- Kako biste spriječili prodiranje vode u mašinu, upotrebljavajte je za sakupljanje mokrog lišća s tla, ali ne iz bazena.
- Vodite računa da plastične vrećice, krpe i drugi predmeti koji se ne mogu lako slomiti i koji se lako mogu zaglaviti u mašini ne dospiju u mašinu.
- Vodite računa tvrdi materijali kao što su krupno drveno sječivo, metali, staklo, kamenčići itd. dospiju u mašinu.

ODRŽAVANJE

⚠ UPOZORENJE! Kada obavljate radove servisiranja, upotrebljavajte samo identične zamjenske dijelove. Upotreba drugih dijelova može uzrokovati opasnost ili oštećenje proizvoda. Radi osiguranja sigurnosti i pouzdanosti, sve popravke treba obavljati kvalifikovani servisni tehničar.

⚠ UPOZORENJE! Radi izbjegavanja teških tjelesnih povreda, uvijek izvadite komplet baterija iz proizvoda prije obavljanja radova čišćenja ili održavanja.

OSNOVNO ODRŽAVANJE

BS

Kada čistite plastične dijelove, izbjegavajte upotrebljavati rastvore. Mnoge plastike mogu se oštetiti različitim vrstama komercijalnih rastvora i mogu se oštetiti njihovom upotrebom. Za uklanjanje prljavštine, prašine, ulja, masti i sl. upotrebljavajte čiste krpe.

⚠ UPOZORENJE! Nemojte nikada dozvoliti da kočione tekućine, benzin, proizvodi na bazi nafte, penetrirajuća ulja i sl., dođu u kontakt s plastičnim dijelovima. Hemikalije mogu oštetiti, oslabiti ili uništiti plastiku, što može rezultirati teškim tjelesnim povredama.

SKLADIŠTENJE

- Izvadite komplet baterija iz mašine.
- Očistite sav strani materijal iz ulaznih otvora za zrak mašine.
- Alat skladištite u zatvorenom prostoru na mjestu nedostupnom djeci. Alat držite podalje od korozivnih sredstava kao što su vrtna hemijska sredstva i soli za odmrzavanje.

Zaštita životne sredine



Električnu opremu, iskorištenu bateriju i punjač ne odlažite u kućni otpad!

Ovaj proizvod odnesite u ovlaštenu centar za reciklažu i time omogućite odvojeno sakupljanje. Električne alate potrebno je vratiti u ekološki prihvatljiv pogon za reciklažu.

RJEŠAVANJE PROBLEMA

PROBLEM	UZROK	RJEŠENJE
Usisivač za lišće ne radi.	<ul style="list-style-type: none"> ■ Nema električnog kontakta između usisivača lišća i kompleta baterija. ■ Komplet/i baterija je ispražnjen. ■ Komplet baterija ili puhač lišća je previše vruć. ■ Mašina nije potpuno sastavljena. 	<ul style="list-style-type: none"> ■ Izvadite komplet baterija, provjerite kontakte i ponovo stavite komplet baterija. ■ Napunite komplet baterija. ■ Pričekajte da se komplet baterija i usisivač za lišće ohlade na temperaturu ispod 67 °C. ■ Za potpuno i pravilno sastavljanje mašine pratite uputstva u poglavlju Sastavljanje.
Brzina zraka primjetno se smanjuje.	<ul style="list-style-type: none"> ■ Ulazni otvor za zrak blokiran je naslagama. ■ Prekomjerna istrošenost ventilatora motora. ■ Previše otpada u vreći za lišće. 	<ul style="list-style-type: none"> ■ Izvadite baterije, očistite naslage. ■ Za popravak se obratite servisnom centru proizvođača EGO. ■ Vreću za lišće ispraznite prema uputama u odjeljku Uklanjanje i pražnjenje vreće za lišće u poglavlju SASTAVLJANJE.

GARANCIJA

POLITIKA GARANCIJE PROIZVOĐAČA EGO

Za sve odredbe i uslove politike garancije proizvođača EGO posjetite internetsku stranicu egopowerplus.eu.







استكشاف الأعطال وإصلاحها

المشكلة	السبب	الحل
مكثسة ورق الشجر لا تعمل.	<ul style="list-style-type: none"> لا يوجد اتصال كهربائي بين مكثسة ورق الشجر ومجموعة البطارية. نفذ شحن مجموعة البطارية. مجموعة البطارية أو المنفاخ ساخنان للغاية. لم يتم تجميع الآلة بالكامل. 	<ul style="list-style-type: none"> اخلع مجموعة البطارية، وافحص التوصيلات، ثم أعد تركيب مجموعة البطارية. اشحن مجموعة البطارية. اترك مجموعة البطارية ومكثسة ورق الشجر يبردان إلى أن تصل درجة حرارتها إلى أقل من 67 درجة مئوية. اتبع الإرشادات الموجودة في قسم التجميع لتجميع الآلة بشكل كامل وصحيح.
سرعة الهواء تقل بشكل ملحوظ.	<ul style="list-style-type: none"> مدخل الهواء مسدود بالعوالق. مروحة المحرك متهالكة بشكل زائد. الكثير من الحطام داخل حقيبة ورق الشجر. 	<ul style="list-style-type: none"> اخلع البطاريات، ونظفها من العوالق. تواصل مع مركز صيانة شركة EGO لإصلاح العيب. قم بإفراغ حقيبة ورق الشجر باتباع الإرشادات الواردة في فصل "إزالة حقيبة ورق الشجر وتفريغها" في قسم التجميع.

الضمان

سياسة ضمان EGO

تفضل بزيارة الموقع الإلكتروني egopowerplus.eu للتعرف على الشروط والأحكام الكاملة الخاصة بسياسة ضمان EGO.

- لا تسمح بشطف المواد الصلبة، مثل رقائق الخشب الكبيرة والمعادن والزجاج والحصى وما إلى ذلك، إلى داخل الآلة.

الصيانة

⚠ تحذير: استخدم فقط قطع غيار أصلية عند إجراء أعمال الصيانة. لأن استخدام أي أجزاء أخرى قد ينشأ عنه خطر أو يتسبب في تعرض المنتج للتلف. لضمان السلامة والاعتمادية، يجب تنفيذ جميع أعمال الإصلاح من قبل فني خدمة مؤهل.

⚠ تحذير: لتجنب التعرض لإصابات خطيرة، احرص دائماً على خلع مجموعة البطارية من المنتج عند تنظيفه أو إجراء أي أعمال صيانة عليه.

الصيانة العامة

تجنب استخدام المنظفات عند تنظيف الأجزاء البلاستيكية. غالبية المكونات البلاستيكية تكون سريعة التآثر بالأنواع المختلفة للمنظفات الموجودة بالسوق، وقد تتلف نتيجة استخدامها عليها. استخدم قطعة قماش نظيفة لإزالة الأوساخ والأتربة والزيوت والشحوم وما شابههم.

⚠ تحذير: لا تسمح في أي وقت من الأوقات بلامسة سوائل الفرامل أو المواد البترولية أو المنتجات القائمة على البترول أو الزيت المتغلغل أو ما شابههم للأجزاء البلاستيكية من المنشار. لأن المواد الكيميائية قد تتسبب في تلف الأجزاء البلاستيكية أو وضعفها أو تدميرها، وهو ما قد يؤدي إلى وقوع إصابات خطيرة.

التخزين

- اخلع مجموعة البطارية من الآلة.
- نظف فتحات دخول الهواء الخاصة بالآلة من جميع المواد الغريبة.
- يجب تخزين المنتج في مكان مغلق لا يمكن الوصول إليه من قبل الأطفال. احتفظ بالمنتج بعيداً عن المواد المسببة للتآكل مثل كيماويات الحديقة وملح إذابة الجليد.

حماية البيئة

لا تتخلص من المعدات الكهربائية أو البطارية المستهلكة أو الشاحن في النفايات المنزلية! بل توجه بهذا المنتج إلى مركز إعادة تدوير معتمد ليكون متاحاً للفرز بشكل منفرد. تجب إعادة الآلات الكهربائية إلى مرفق إعادة تدوير صديق للبيئة.



3. اترك زناد سرعة الهواء لإيقاف الآلة.

بكرة السرعة/التشغيل المتواصل

يمكن تثبيت الآلة على أي سرعة باستخدام بكرة السرعة/التشغيل المتواصل.

1. أدر بكرة السرعة/التشغيل المتواصل باتجاه حمالة حزام الكف القريبة لبدء تشغيل الآلة. ستزداد سرعة الهواء مع تدوير البكرة حتى الوصول إلى السرعة القصوى (MAX).

2. لخفض سرعة الهواء، أدر بكرة السرعة/التشغيل المتواصل ناحية الجهة المعاكسة.

3. واصل إدارة بكرة السرعة/التشغيل المتواصل وصولاً إلى وضع الإيقاف (O) لإيقاف تشغيل الآلة.

تنبيه: إذا لم يتم إرجاع بكرة السرعة/التشغيل المتواصل إلى وضع الإيقاف قبل خلع البطارية، فلن يبدأ المنفاخ في العمل عند تركيب بطارية مشحونة بالكامل. هذه خاصية حماية للمساعدة في منع التشغيل غير المقصود. اضغط على زناد سرعة الهواء لتعطيل خاصية الحماية وابدء تشغيل المنفاخ.

نصائح خاصة باستخدام المنفاخ (الشكل K)

لاستخدام الآلة كمنفاخ، اتبع الإرشادات الموجودة في قسم التجميع لترتيب مجموعة الشفط.

- لمنع تآثر العوالق، قم بالنفخ حول الحواف الخارجية لكومة العوالق. لا تقم بتوجيه الهواء مباشرة نحو منتصف كومة العوالق.
- لخفض مستويات الصوت، عليك تقليل عدد أجزاء المعدات العاملة بالطاقة المستخدمة في كل مرة.
- استخدم الجرافات والمكانس لتفكيك العوالق قبل نفخها. في الظروف المترية، بلل الأسطح قليلاً عند توافر الماء.
- حافظ على الماء عن طريق استخدام منفاخ عامل بالطاقة بدلاً من الحراطيم المستخدمة مع العديد من تطبيقات العشب والحدائق، بما في ذلك المناطق أمثال الجداول والحواجز والباحات وشبكات الشواء والأروقة والحدائق.
- انتبه للأطفال أو الحيوانات الأليفة أو النوافذ المفتوحة أو السيارات المغسولة حديثاً، واحرص على نفخ العوالق بشكل آمن.
- بعد استخدام المنفاخ والمعدات الأخرى، قم بالتنظيف! تخلص من العوالق كما ينبغي.

نصائح خاصة باستخدام المكبسة (الشكل L)

- لاستخدام الآلة كمكبسة، اتبع الإرشادات الموجودة في قسم التجميع لترتيب مجموعة الشفط وحقبة ورق الشجر وحزام الكف.
- افحص حقبة ورق الشجر بانتظام بحثاً عن أي علامات للتآكل أو التشوه.
- لتجنب إثارة الغبار، أغلق سحب حقبة ورق الشجر تماماً قبل تشغيل الآلة.
- أفرغ حقبة ورق الشجر قبل أن تمتلئ.
- لمنع دخول الماء إلى داخل الآلة، استخدم الآلة لجمع ورق الشجر المبلل من الأرض، ولكن ليس من حمام السباحة.
- لا تسمح بشطف الأكياس البلاستيكية والقماش والأشياء الأخرى التي ليس من السهل كسرها ويمكن أن تتشابك بسهولة داخل الآلة.

4. اضغط على شبكة مدخل الهواء ناحية مجموعة الشفط (الشكل E5).

لتجميع حقيبة ورق الشجر (الشكل F)

1. قم بمحاذاة التجويف وادفع وصلة حقيبة ورق الشجر في هيكل الشفط إلى أن ينشك ذراع قفل حقيبة ورق الشجر في مكانه.

F-1	وصلة حقيبة ورق الشجر	F-3	عروة حقيبة ورق الشجر
F-2	ذراع قفل حقيبة ورق الشجر		

2. قم بتعليق عروة حقيبة ورق الشجر على الخطاف الموجود في مجموعة الشفط كما هو موضح في الشكل F.

إزالة حقيبة ورق الشجر وتفريغها (الشكل G1)

1. قم بإزالة عروة حقيبة ورق الشجر من الخطاف الموجود في مجموعة الشفط.
2. ادفع ذراع قفل حقيبة ورق الشجر لفك تشويق المزلاج، ثم قم بإزالة الحقيبة.
3. افتح السحاب لتفريغ حقيبة ورق الشجر.

G-1	السحاب
-----	--------

إزالة مجموعة الشفط (الشكل G2 و G3)

1. ادفع ذراع قفل أنبوب الشفط لفك قفل الأنبوب.
2. قم بإزالة مجموعة الشفط.
3. اضغط على شبكة مدخل الهواء باتجاه مدخل الهواء إلى أن يتم تشويق ذراع القفل.

تركيب حزام الكتف (الشكل H)

اضغط على الأطواق المعدنية للحزام لفتحها، ثم قم بتثبيتها على حمالات حزام الكتف في كل طرف من طرفي الآلة. هناك طريقتان لتحرير الحزام. اخلعه من على كتفك مباشرة أو اضغط إلى أسفل على الطوق المعدني لفصل حزام الكتف من حمالة حزام الكتف.

تحذير: عند ارتداء الحزام، يجب ألا تتداخل أي أشياء أخرى قابلة للارتداء مع تحرير الحزام وإزالته.

تحذير: عند حدوث شيء طارئ، اخلعه عن كتفك على الفور، بغض النظر عن طريقة تثبيته.

تحذير: يجب ألا تستخدم حزام الكتف المفرد وحزام الكتف المزدوج بشكل متزامن.

تحذير: لا تستخدم حزام الكتف ووصلة حقيبة الظهر EGO BH1000 في الوقت نفسه. سوف يؤدي ذلك إلى منع التحرير السريع للآلة في حالات الطوارئ، مما يؤدي إلى حدوث إصابة شخصية.

التشغيل

تحذير: لا تسمح لاعتيادك على تشغيل هذا المنتج أن يجعلك مستهتراً عند التعامل معه. ولا تنس أن الاستهترار جزء من الثانية

كافٍ للتسبب في حدوث إصابات خطيرة.

تحذير: ارتد بشكل دائم أدوات حماية العينين بالإضافة إلى دروع جانبية وأدوات حماية السمع. قد ينجم عن عدم الامتثال لذلك دخول أشياء في عينيك، واحتمالية وقوع إصابات خطيرة.

تحذير: لمنع بدء التشغيل غير المقصود، والذي قد يؤدي إلى وقوع إصابات شخصية خطيرة، احرص دائماً على خلع مجموعة البطارية من الآلة عند تجميع الأجزاء، أو عمل التعديلات، أو التنظيف، أو عند عدم الاستخدام.

تحذير: لا تستخدم أي مرفقات أو ملحقات سوى تلك الموصى بها من قبل الشركة الصانعة لهذا المنتج. لأن استخدام مرفقات أو ملحقات غير موصى بها قد يؤدي إلى وقوع إصابات شخصية خطيرة.

قبل كل استخدام، افحص المنتج بأكمله بحثاً عن الأجزاء التالفة أو المفقودة أو المفككة، مثل المسامير المولوية والصواميل والمسامير والأغطية وما شابه. اربط جميع عناصر التثبيت والأغطية بإحكام، ولا تقم بتشغيل هذا المنتج إلا بعد استبدال جميع الأجزاء المفقودة أو التالفة.

الاستخدامات

يمكنك استخدام هذا المنتج للأغراض الموضحة أدناه:

- جمع ورق الشجر وقصاصات العشب وغيرها من الحطام.
- تنظيف الأسطح الصلبة، مثل الطرقات الخاصة بالمشي.
- المحافظة على خلو الأرضيات والطرقات الخاصة من ورق الشجر.

تنبيه: يجب استخدام الآلة في الأغراض المحددة لها فقط. أي استخدام آخر يعد حالة من حالات سوء الاستخدام.

تركيب/خلع مجموعة البطارية

لا تستخدم الآلة إلا مع مجموعات بطارية وشواحن EGO المدرجة في الشكل A2.

ملاحظة: اشحن مجموعة البطارية بالكامل قبل الاستخدام.

للتركيب

قم بمحاذاة دعائم البطارية مع فتحات التركيب، واضغط على مجموعة البطارية لأسفل إلى أن تسمع صوت «نقرة» (الشكل 11).

للخلع (الشكل 12)

اضغط إلى أسفل على زر تحرير البطارية، واسحب مجموعة البطارية للخارج (الشكل 12).

تحذير: انتبه دائماً لموضع قدميك أو الأطفال أو الحيوانات الأليفة عند الضغط على زر تحرير البطارية. فقد تقع إصابات خطيرة إذا سقطت مجموعة البطارية. لا تقم أبداً بخلع مجموعة البطارية وأنت في مكان شاهق الارتفاع.

تشغيل/إيقاف الآلة

زناد سرعة الهواء فقط

1. اضغط على زناد سرعة الهواء لتشغيل الآلة.
2. يتم التحكم في سرعة هواء الآلة باستخدام زناد السرعة المتغيرة. كلما زاد الضغط على الزناد، ارتفعت سرعة الهواء؛ وكلما قلّ الضغط على الزناد، انخفضت سرعة الهواء. اضبط السرعة بحيث تلائم المهمة التي تقوم بها.

التجميع

⚠ تحذير: إذا حدث تلف أو فقد في أي أجزاء، لا تقم بتشغيل هذا المنتج إلا بعد استبدال الأجزاء. استخدام هذا المنتج مع وجود أجزاء تالفة أو مفقود قد يؤدي إلى وقوع إصابات شخصية خطيرة.

⚠ تحذير: لا تحاول إجراء أي تعديلات على هذا المنتج أو ابتداء ملحقات غير موصى بها للاستخدام مع هذا المنتج. أي تغيير أو تعديل من هذا النوع يعتبر سوء استخدام، وقد يؤدي إلى وضع خطير قد يتسبب في وقوع إصابات شخصية خطيرة محتملة.

⚠ تحذير: لمنع بدء التشغيل غير المقصود، والذي قد يؤدي إلى وقوع إصابات شخصية خطيرة، احرص دائماً على خلع مجموعة البطارية من الآلة عند تجميع الأجزاء.

تنبيه: لا يمكن تشغيل الآلة إلا بعد تجميع أنبوب المنفاخ أو مجموعة الشفط وحقيبة ورق الشجر بشكل كامل وصحيح.

تجميع/خلع أنبوب المنفاخ

للتجميع (الشكل B1 و B2)

قم بمحاذاة التجويف، وادفع الأنبوب في هيكل المنفاخ إلى أن يتشبك ذراع قفل أنبوب المنفاخ في مكانه.

B-1 ذراع قفل أنبوب المنفاخ

للخلع (الشكل B3)

ادفع ذراع قفل المنفاخ لفك تشبيك المزلاج، ثم قم بإزالة الأنبوب.

تجميع/خلع الفوهة المخروطية للمنفاخ

للتجميع (الشكل C1 و C2)

قم بمحاذاة التجويف الموجود بالفوهة المخروطية مع بكرة الأنبوب، وادفع الفوهة في الأنبوب إلى أن تثبت في مكانها المناسب.

للخلع (الشكل C3)

اضغط مع التثبيت على زر تحرير الفوهة لفك تشبيك اللسان، ثم اسحب الفوهة للخارج بشكل مستقيم من أنبوب المنفاخ.

تجميع/خلع مجموعة الشفط

للتجميع فوهة الشفط (الشكل D)

ملاحظة: بمجرد توصيل فوهة المكنسة وأنبوب المكنسة للمرة الأولى، يتحولان إلى مجموعة مكنسة واحدة لا يمكن فصلها عن بعضها البعض.

قم بمحاذاة التجويف، وادفع الفوهة في أنبوب الشفط إلى أن يثبت زر قفل فوهة الشفط في مكانه.

لتجميع مجموعة الشفط

1. ادفع ذراع قفل أنبوب الشفط لتحرير شبكة مدخل الهواء، ثم افتح الشبكة (الشكل E1 و E2).

E-1 ذراع قفل أنبوب الشفط

2. قم بمحاذاة الزاويتين المربعيتين المرتفعتين في مجموعة الشفط مع التجاويف المربعة الغائرة عند مدخل الهواء كما هو موضح في الشكل E3 لتعشيق المجموعة.
3. اضغط على مجموعة الشفط باتجاه مدخل الهواء إلى أن يتم تشبيك ذراع قفل أنبوب الشفط (الشكل E4).

درجة حرارة التخزين الموصى بها	20-70 درجة مئوية
درجة حرارة الشحن الموصى بها	5-40 درجة مئوية
مستوى قوة الصوت المقدر L_{WA}	100 ديسيبل(أ) K=1.9 ديسيبل(أ)
مستوى ضغط الصوت في وضع التشغيل L_{pA}	88 ديسيبل(أ) K=3 ديسيبل(أ)
مستوى قوة الصوت المضمون L_{WA} (وفقاً للمعيار 2000/14/EC)	102 ديسيبل(أ)
الاهتزاز a_{H1}	الحد الأقصى 1.80 م/ثانية ² K=1.5 م/ثانية ²

- القيمة الكلية للاهتزاز الموضحة تم قياسها وفقاً لطريقة اختبار قياسية وقد تستخدم لمقارنة أداة بأخرى.
- كما يمكن استخدام القيمة الكلية للاهتزاز الموضحة في التقييم التمهيدي للتعرض.

تنبيه: قد تختلف انبعاثات الاهتزاز أثناء الاستخدام الفعلي للآلة العاملة بالطاقة عن القيمة المعلنة التي يتم استخدام الآلة فيها؛ ولحماية مشغل الآلة، ينبغي على المستخدم ارتداء قفازات وواقبات للأذن في ظروف الاستخدام الفعلية.

قائمة المحتويات (الشكل A1)

الوصف

تعرف على مكنسة ورق الشجر (الشكل 1A)

1. فوهة الشفط
2. أنبوب الشفط
3. مقبض الحمل لمجموعة الشفط
4. شبكة مدخل الهواء
5. المقبض الأمامي
6. زر تحرير البطارية
7. بكرة السرعة/التشغيل المتواصل
8. حزام حزام الكتف
9. المقبض الأساسي
10. زناد سرعة الهواء
11. حقيبة ورق الشجر
12. حزام الكتف
13. الوصلات الكهربائية
14. مزلاج
15. أنبوب المنفاخ
16. الفوهة المخروطية

التشغيل

- يجب التخلص من البطارية بشكل آمن.
- لا تحاول تنظيف الإسدادات في الوحدة دون خلع البطارية أولاً.
- احتفظ بالآلة ومقبضها جافين نظيفين خاليين من الزيوت والشحوم. استخدم دائماً قطعة قماش نظيفة عند التنظيف. لا تستخدم أبداً سوائل الغرامل أو البنزين أو المنتجات القائمة على البترول أو أي محاليل قوية أخرى في تنظيف الآلة. يساعد الامتثال لتلك التعليمات في تقليل خطر فقد التحكم والحاق أضرار بالهيكل البلاستيكي.
- يمكن للبطاريات أن تنفجر في وجود مصدر إشعال، مثل الشعلة الدائمة. للحد من خطر التعرض للإصابات الشخصية الخطيرة، لا تستخدم أي منتجات لا سلكية في وجود أسنّة لهب مباشرة. قد ينتج عن البطارية المنفجرة شظايا أو مواد كيميائية متطايرة. وإذا تعرضت لتلك الأشياء، اشطف المناطق المصابة بالماء على الفور.
- لا تقم أبداً بتشغيل الوحدة دون تركيب المعدات المناسبة. تأكد دائماً من تركيب أنيوب الآلة.
- لا تقم أبداً باستخدام الآلة بالقرب من النيران أو الرماد الساخن. حيث أن الوجود بالقرب من النيران أو الرماد قد يتسبب انتشار النيران والتعرض لإصابات خطيرة و/أو تلف الممتلكات.
- لا تقم أبداً باستخدام الآلة في نثر المواد الكيميائية أو الأسمدة أو أي مواد سامة أخرى. لأن نثر تلك المواد قد يؤدي لوقوع إصابات خطيرة على المشغل أو المراقبين.
- احفظ هذه التعليمات. راجعهم باستمرار واستخدمهم لتوجيه الآخرين عند استخدام هذه الآلة. إذا قمت باقراض هذه الآلة إلى شخص آخر، أرفق معها هذه التعليمات لمنع سوء استخدام المنتج والإصابات المحتملة.
- احفظ هذه التعليمات!

المواصفات

الجهد المقدر	56 فولت
المنفاخ	الحد الأقصى لكمية الهواء
	الحد الأقصى لسرعة الهواء
سعة حقيبة ورق الشجر	الحد الأقصى لقوة النفخ
	الحد الأقصى لمعدل التمزيق
الوزن (من دون مجموعة البطارية والفوهة)	الحد الأقصى لمعدل التمزيق
درجة حرارة التشغيل الموصى بها	الحد الأقصى لمعدل التمزيق

أثناء تشغيل الآلة، ارتد دامنًا أحذية حماية مانعة للانزلاق. لا تقم بتشغيل الآلة وأنت حافي القدمين أو ترتدي صندلاً مفتوحاً. فهذا يحد من خطر إصابة الأقدام.

احرص على الآلة المعاملة بالبطارية والعناية بها

لا تُعد شحن الآلة إلا باستخدام الشاحن الممدد بواسطة الشركة الصانعة. فالشاحن الملائم لنوع ما من مجموعات البطارية قد يتسبب في نشوب حريق إذا تم استخدامه مع مجموعة بطارية أخرى.

استخدم الآلات مع مجموعات البطارية المخصصة لها فقط. لأن استخدام أي مجموعات بطارية أخرى قد يؤدي إلى التعرض لإصابات أو نشوب حريق.

عند عدم استخدام مجموعة البطارية، احتفظ بها بعيداً عن الأغراض المعدنية الأخرى مثل مشابك الأوراق أو العملات المعدنية أو المفاتيح أو المسامير أو البراغي أو الأغراض المعدنية الصغيرة الأخرى التي قد تتسبب في عمل دائرة قصر (ماس كهربائي) بين أقطاب البطارية. لأن عمل دائرة قصر (ماس كهربائي) بين أطراف البطارية قد يتسبب في حروق أو نشوب حريق.

في حالات التعامل السيء، قد يحدث ارتشاح للسوائل من البطارية؛ لا تلامسه. إذا حدثت ملامسة بشكل عرضي، فاغسلها بالماء. إذا لامس السائل العينين، فاطلب المساعدة الطبية على الفور. السائل المرتشح من البطارية قد يتسبب في حدوث احتياج في الجلد أو حروق.

لا تستخدم مجموعة البطارية أو الآلة إذا كانا تالفين أو تم إدخال تعديلات عليهما. لأن البطاريات التالفة أو التي تم تعديلها قد تعمل بشكل غير متوقع، وهو ما قد يؤدي لنشوب حريق أو حدوث انفجار أو خطر التعرض لإصابة.

لا تقم بتعرض مجموعة البطارية أو الآلة للحريق أو درجات الحرارة الزائدة. التعرض لدرجات الحرارة الأعلى من 130 درجة مئوية قد يؤدي لحدوث انفجار.

اتبع تعليمات الشحن ولا تشحن مجموعة البطارية أو الآلة في نطاق درجة حرارة خارج النطاق المحدد في التعليمات. قد يؤدي الشحن غير المضبوط أو في درجات حرارة خارج النطاق المسموح به إلى تلف البطارية وخطر نشوب حريق.

لا توجه مطلقاً فوهة النفخ في اتجاه الأشخاص أو الحيوانات الأليفة أو في اتجاه النوافذ. توح مزيداً من الحذر عند نفخ الحطام بالقرب من الأشياء الصلبة، مثل الأشجار والسيارات والجدران التي يمكن أن تتسبب في ارتداد الحطام. قد يتسبب الحطام المتطاير في تلف الممتلكات ويزيد من خطر التعرض لإصابات بدينية.

لا تستخدم الآلة في كس أو نفخ أي شيء يحترق أو يُدخن، مثل السجائر أو أعواد النقاب أو الرماد الساخن. قد تزيد مصادر الإشعاع هذه من خطر نشوب حريق.

لا تقم بشطف الماء أو السوائل الأخرى، ولا تغمر أي جزء من أجزاء الآلة في السوائل. لأن دخول الماء إلى داخل الآلة قد يزيد من خطر حدوث صدمة كهربائية.

لا تقم بشطف الأحجار أو الحصى أو المعادن أو الزجاج المكسور. قد تتعرض عجلة المروحة إلى التلف، وقد يتسبب ذلك في زيادة خطر التعرض لإصابات شخصية.

لا تلمس المروحة أثناء حركتها. قم بإيقاف تشغيل الآلة وانتظر حتى توقف المروحة تماماً قبل إزالة أي جزء قد يتبج الوصول إلى المروحة. فهذا يحد من خطر الإصابة بفعل الأجزاء المتحركة.

عند تنظيف الانسدادات أو صيانة الآلة، تأكد من أن مفتاح التشغيل على وضع الإيقاف. لأن بدء التشغيل غير المتوقع للآلة أثناء تنظيف الانسدادات أو الصيانة قد يؤدي إلى وقوع إصابات شخصية خطيرة.

لا تقم بشطف الماء أو السوائل الأخرى، ولا تغمر أي جزء من أجزاء الآلة في السوائل. لأن دخول الماء إلى داخل الآلة قد يزيد من خطر حدوث صدمة كهربائية.

لا تقم بشطف الأحجار أو الحصى أو المعادن أو الزجاج المكسور. قد تتعرض عجلة المروحة إلى التلف، وقد يتسبب ذلك في زيادة خطر التعرض لإصابات شخصية.

لا تلمس المروحة أثناء حركتها. قم بإيقاف تشغيل الآلة وانتظر حتى توقف المروحة تماماً قبل إزالة أي جزء قد يتبج الوصول إلى المروحة. فهذا يحد من خطر الإصابة بفعل الأجزاء المتحركة.

عند تنظيف الانسدادات أو صيانة الآلة، تأكد من أن مفتاح التشغيل على وضع الإيقاف. لأن بدء التشغيل غير المتوقع للآلة أثناء تنظيف الانسدادات أو الصيانة قد يؤدي إلى وقوع إصابات شخصية خطيرة.

عند تنظيف الانسدادات أو صيانة الآلة، تأكد من أن مفتاح التشغيل على وضع الإيقاف. لأن بدء التشغيل غير المتوقع للآلة أثناء تنظيف الانسدادات أو الصيانة قد يؤدي إلى وقوع إصابات شخصية خطيرة.

عند تنظيف الانسدادات أو صيانة الآلة، تأكد من أن مفتاح التشغيل على وضع الإيقاف. لأن بدء التشغيل غير المتوقع للآلة أثناء تنظيف الانسدادات أو الصيانة قد يؤدي إلى وقوع إصابات شخصية خطيرة.

اقرأ جميع التعليمات قبل استعمال هذا المنتج!

التدريب

لا تسمح أبداً باستخدام الآلة بواسطة الأطفال، أو الأشخاص المصابين بإعاقة بدينية أو حسية أو عقلية، أو من ليست لديهم خبرة ومعرفة، أو الأشخاص غير المتدربين على تلك التعليمات.

المشغل أو المستخدم هو المسؤول عن وقوع أي حوادث أو مخاطر يتعرض لها أشخاص آخرون أو تتعرض لها ممتلكاتهم.

التحضير

لا تقم بتعرض الآلة للمطر أو الأجواء الرطبة. جفف الآلة بعد الانتهاء من العمل.

قبل الاستخدام، راجع البطاريات أو مجموعات البطاريات بحثاً عن أي علامات للتلف. لا تستخدم الجهاز إذا كانت البطاريات أو مجموعة البطارية تالفة.

الزيوت والشحوم. لأن المقابض وأسطح الإمساك المنزلفة لا تمنحك القدرة على التعامل والتحكم الأميين في الآلة في المواقف غير المتوقعة.

استخدام الآلة المعاملة بالبطارية والعناية بها

لا تُعد شحن الآلة إلا باستخدام الشاحن الممدد بواسطة الشركة الصانعة. فالشاحن الملائم لنوع ما من مجموعات البطارية قد يتسبب في نشوب حريق إذا تم استخدامه مع مجموعة بطارية أخرى.

استخدم الآلات مع مجموعات البطارية المخصصة لها فقط. لأن استخدام أي مجموعات بطارية أخرى قد يؤدي إلى التعرض لإصابات أو نشوب حريق.

عند عدم استخدام مجموعة البطارية، احتفظ بها بعيداً عن الأغراض المعدنية الأخرى مثل مشابك الأوراق أو العملات المعدنية أو المفاتيح أو المسامير أو البراغي أو الأغراض المعدنية الصغيرة الأخرى التي قد تتسبب في عمل دائرة قصر (ماس كهربائي) بين أقطاب البطارية. لأن عمل دائرة قصر (ماس كهربائي) بين أطراف البطارية قد يتسبب في حروق أو نشوب حريق.

في حالات التعامل السيء، قد يحدث ارتشاح للسوائل من البطارية؛ لا تلامسه. إذا حدثت ملامسة بشكل عرضي، فاغسلها بالماء. إذا لامس السائل العينين، فاطلب المساعدة الطبية على الفور. السائل المرتشح من البطارية قد يتسبب في حدوث احتياج في الجلد أو حروق.

لا تستخدم مجموعة البطارية أو الآلة إذا كانا تالفين أو تم إدخال تعديلات عليهما. لأن البطاريات التالفة أو التي تم تعديلها قد تعمل بشكل غير متوقع، وهو ما قد يؤدي لنشوب حريق أو حدوث انفجار أو خطر التعرض لإصابة.

لا تقم بتعرض مجموعة البطارية أو الآلة للحريق أو درجات الحرارة الزائدة. التعرض لدرجات الحرارة الأعلى من 130 درجة مئوية قد يؤدي لحدوث انفجار.

اتبع تعليمات الشحن ولا تشحن مجموعة البطارية أو الآلة في نطاق درجة حرارة خارج النطاق المحدد في التعليمات. قد يؤدي الشحن غير المضبوط أو في درجات حرارة خارج النطاق المسموح به إلى تلف البطارية وخطر نشوب حريق.

الصيانة

ينبغي إجراء الصيانة على الآلة بواسطة فني إصلاح متخصص باستخدام قطع غيار أصلية مطابقة فقط. فهذا سيضمن المحافظة على سلامة الآلة.

لا تقم بصيانة مجموعات البطارية التالفة بأي حال من الأحوال. بل ينبغي أن تكون صيانة مجموعات البطارية من خلال الشركة الصانعة أو مقدمي الخدمة المعتمدين فقط.

تحذيرات السلامة الخاصة بالمنفاخ (بلاور)/المكنسة

تجنب استخدام الآلة في ظروف مناخية صعبة، خاصة عند وجود خطر حدوث برق. فهذا يحد من خطر الإصابة بالبرق.

أفصص جامع الحطام بانتظام بحثاً عن أي علامات للتآكل أو التشوّه. لأن جامع الحطام التالف أو المتآكل يزيد من خطر التعرض لإصابة بدينية.

ارتد أدوات حماية العينين والأذنين. يساعد ارتداء أدوات الحماية في تقليل خطر حدوث إصابة بدينية.

تحذيرات السلامة العامة الخاصة بالآلة

⚠ تحذير: اقرأ جميع تحذيرات السلامة والتعليمات والرسوم التوضيحية والمواصفات المرفقة مع هذه الآلة. عدم اتباع جميع التعليمات الواردة أدناه قد يؤدي إلى حدوث صدمة كهربائية أو نشوب حريق أو التعرض للإصابة، أحدها أو جميعها.

احتفظ بجميع التحذيرات والتعليمات للرجوع إليها في المستقبل. يشير مصطلح «الآلة» في قسم التحذيرات إلى الآلة العاملة بالتيار (الموصولة بسلك تيار) أو الآلة العاملة بالبطارية (غير الموصولة بسلك تيار).

سلامة منطقة العمل

- حافظ على منطقة العمل نظيفة ومضاءة جيدًا. حيث عادة ما تتسبب المناطق المظلمة أو التي بها ركام إلى وقوع حوادث.
- لا تقم بتشغيل الآلات في أجواء قابلة للانفجار، على سبيل المثال في وجود سوائل أو غازات أو غبار قابلة للاشتعال. فقد تتسبب الآلات في صدور شرارة، والتي قد تتسبب في اشتعال الغبار أو الأبخرة القابلة للاشتعال.
- احتفظ بالأطفال والمشاهدين بعيدًا عن موقع استعمال الآلة. حيث أن الإلهاء قد تجعلك تفقد السيطرة على الآلة.

السلامة الكهربائية

- ينبغي أن يتوافق قابس الآلة مع مقياس التيار. لا يجب إدخال تعديلات على القابس بأي حال من الأحوال. لا تستخدم أي قوابس مهبانية مع الآلات الموزعة. ستؤدي القوابس غير المُعدلة والمقابس المتوافقة إلى الحد من خطر حدوث صدمة كهربائية.
- تجنب ملامسة الجسم لأسطح مؤرضة مثل الأنابيب والمشعاع والموافق والتلجالات. هناك خطر متزايد لحدوث صدمة كهربائية إذا كان جسمك مؤرضًا.
- لا تقم بتعريض الآلات للمطر أو الأجواء الرطبة. حيث سيؤدي الماء الذي يدخل إلى الآلة إلى زيادة خطر حدوث صدمة كهربائية.
- لا تعبت بسلك التيار. لا تقم أبدًا باستخدام سلك التيار لحمل الآلة أو سحبها أو فصلها عن التيار. احتفظ بالسلك بعيدًا عن مصادر الحرارة أو الزيت أو الحواف الحادة أو الأجزاء المتحركة. تؤدي أسلاك التيار التالفة أو المتشابكة إلى زيادة خطر حدوث صدمة كهربائية.
- عند تشغيل آلة في مكان خارجي مفتوح، استخدم سلك تمديد ملائم للاستخدام الخارجي. استخدم سلك ملائم للاستخدام الخارجي يحد من خطر حدوث صدمة كهربائية.
- إذا كان لا بد من تشغيل الآلة في مكان رطب، فاستخدم مصدر تيار محمي بقاطع تيار مؤرض (GFCI). يؤدي استخدام قاطع التيار المؤرض إلى الحد من خطر حدوث صدمة كهربائية.

السلامة الشخصية

- ابق منتبهًا، وانتبه جيدًا لما تفعله، وكن عقلانيًا عند تشغيل الآلة. لا تستخدم أي آلة وأنت مجهد أو تحت تأثير المخدرات أو الكحوليات أو الأدوية. قد تؤدي لحظة من عدم الانتباه أثناء تشغيل الآلات إلى حدوث إصابات شخصية خطيرة.
- استعن بمعدات الحماية الشخصية. وارتد دائمًا أدوات حماية للعينين. سيؤدي استخدام أدوات الحماية كقناع الغبار أو أذنية

- السلامة المضادة للانزلاق أو التربة الصلبة أو أدوات حماية السمع في ظروف مناسبة إلى الحماية من الإصابات الشخصية.
- امنع بدء تشغيل الآلة غير المتعمد. احرص على أن يكون مفتاح الطاقة في وضع الإيقاف قبل توصيل الآلة بمصدر التيار أو مجموعة البطاريات، أو التقاط الآلة أو حملها. إذا حملت الآلات وإصبعك على مفتاح التشغيل أو إذا شحنتها والمفتاح على وضع التشغيل، فقد يؤدي ذلك لوقوع حوادث.
- أزل أي مفتاح تعديل أو مفتاح ربط قبل تشغيل الآلة. قد يؤدي ترك مفتاح ربط أو مفتاح عادي مركبًا على جزء دوار بالآلة إلى وقوع إصابات شخصية.
- لا تقف في مكان تُضطر لمد يديك بعيدًا. قف وأنت ثابت ومتوازن في جميع الأوقات. وهو ما يسمح بتحكم أفضل في الآلة في الظروف غير المتوقعة.
- ارتد الملابس الملائمة. لا ترتد ملابس أو مجوهرات غير ثابتة. احتفظ بشعرك وملابسك بعيدًا عن الأجزاء المتحركة. قد تعلق الملابس الفضفاضة أو المجوهرات أو الشعر الطويل في الأجزاء المتحركة.
- إذا تم تقديم أجهزة خاصة بتوصيل أدوات استخراج الغبار وجمعه، فأحرص على توصيلها واستخدامها على النحو اللزم. قد يؤدي استخدام أجهزة الغبار إلى الحد من المخاطر المرتبطة به.
- لا تدع الخبرة المكتسبة من الاستخدام المتكرر للآلات يجعلك تتعامل من دون الانتباه اللزم وتتجاهل مبادئ السلامة المتعلقة بالآلة. فقد يتسبب أي إجراء غير مدروس في إصابات خطيرة في جزء من الثانية.
- استخدام الآلة والعناية بها
- لا تجبر الآلة على أعمال تفوق قدرتها. استخدم الآلة الملائمة لأعمالك. ستقوم الآلة الملائمة بأداء أعمالك بشكل أفضل وأكثر أمانًا بالمعدل الذي أعدت له.
- لا تستخدم الآلة إذا كان مفتاح التشغيل لا يمكن نقله إلى وضع التشغيل أو وضع الإيقاف. أي آلة لا يمكن التحكم فيها بمفتاح التشغيل تعتبر خطيرة ويجب إصلاحها.
- افصل القابس من مصدر التيار و/أو مجموعة البطارية من الآلة قبل إجراء أي تعديلات أو تغيير ملحقات أو تخزين الآلات. إجراءات السلامة الوقائية هذه تحد من خطر تشغيل الآلة بشكل خاطئ.
- خزن الآلات غير المستخدمة بعيدًا عن متناول أيدي الأطفال ولا تسمح للأشخاص غير المعتادين على استخدام الآلة أو على هذه التعليمات بتشغيل الآلة. فالآلات تكون خطيرة في أيدي الأشخاص غير المدربين.
- حافظ على الآلة والملحقات. تحقق من عدم محاذاة الأجزاء المتحركة أو ربطها، أو وجود كسور في الأجزاء، أو أي حالة أخرى قد تؤثر على عمل الآلة. إذا كان هناك تلف، فقم بإصلاح الآلة قبل استخدامها. فالعديد من الحوادث تحدث بسبب الآلات التي لا تتم صيانتها بشكل منتظم.
- احتفظ بالآلات القاطعة حادة ونظيفة. فالآلات القاطعة التي تتم صيانتها كما ينبغي للاحتفاظ بحوافها القاطعة حادة تكون أقل عرضة للانحناء ويكون التحكم فيها سهلاً.
- استخدم الآلة والملحقات واللقم وما شابههم وفقًا لهذه التعليمات، مع الأخذ في الاعتبار بظروف العمل والأعمال التي سيتم تنفيذها. قد يؤدي استخدام الآلة في أعمال غير تلك المخصصة لها إلى حوادث خطيرة.
- احتفظ بالمقابض وأسطح الإمساك جافة ونظيفة وخالية من

اقرأ جميع التعليمات!

اقرأ جميع التعليمات!



اقرأ دليل التشغيل

تحذير: لضمان السلامة والاعتمادية، يجب تنفيذ جميع أعمال الإصلاح من قبل فني خدمة مؤهل.

تحذير: احرص على قراءة وفهم جميع تعليمات السلامة في دليل التشغيل هذا، بما في ذلك جميع رموز تنبيهات السلامة، مثل «خطر»، وتحذير، وتبنييه قبل استخدام هذه الآلة. عدم اتباع جميع التعليمات الواردة أدناه قد يؤدي إلى حدوث صدمة كهربائية أو نشوب حريق أو التعرض للإصابة الشخصية، أحدها أو جميعها.

احتفظ بجميع التحذيرات والتعليمات للرجوع إليها في المستقبل.

رموز السلامة

تحذير: قد يؤدي تشغيل أي آلة عاملة بالطاقة إلى دخول أي أشياء غريبة في عينيك، وهو ما قد يؤدي إلى إلحاق أضرار خطيرة بالعين. قبل بدء تشغيل الآلة العاملة بالطاقة، احرص دائمًا على ارتداء واقبات العينين أو نظارات حماية العينين ذات الدروع الجانبية، ودرع واقٍ لكامل الوجه عند اللزوم. نوصي بارتداء قناع السلامة واسع الرؤية لاستخدامه فوق نظارات العين أو نظارات السلامة العادية ذات الدروع الجانبية.

للحد من خطر الإصابة، يجب على المستخدم قراءة وفهم دليل التشغيل قبل استخدام هذا المنتج.



تنبيه سلامة



احتفظ بجميع الأشخاص المجاورين لك على مسافة لا تقل عن 15 مترًا عن مكان العمل.



احرص دائمًا على ارتداء أدوات حماية الأذنين والعيّنين عند تشغيل هذا المنتج.



هذا المنتج متوافق مع توجيهات شهادة الجودة الأوروبية (CE) المعمول بها.



مستوى قوة الصوت المضمون. انبعاثات الضوضاء في البيئة وفقًا لتوجيه الاتحاد الأوروبي.



هذا المنتج متوافق مع تشريعات المملكة المتحدة المعمول بها.



لا يجب التخلص من الأجهزة الكهربائية المستهلكة في النفايات المنزلية. توجه بالجهاز إلى مركز إعادة تدوير معتمد.



الحماية من تناثر الماء

IPX4

تيار مستمر



في الدقيقة

./min

الجهد الكهربائي

V

السرعة بدون حمل

n_0

مليمتر

mm

איתור וטיפול בבעיות

פטרון	סיבה	בעיה
<ul style="list-style-type: none"> ■ הסירו את מארז הסוללה, בדקו את החיבורים והתקינו מחדש את מארז הסוללה. הטען את מארז הסוללה. ■ קררו את מארז הסוללה ואת שואב העלים עד לטמפרטורה של פחות מ-67°C. ■ בצעו את ההוראות בסעיף הרכבה כדי להרכיב את המכונה באופן מלא ונכון. 	<ul style="list-style-type: none"> ■ אין חיבור חשמלי בין שואב העלים למארז הסוללה. ■ טעינת מארז הסוללה ריקה. ■ מארז הסוללה או המפוח חמים מדי. ■ המכשיר אינו מורכב במלואו. 	שואב העלים לא עובד.
<ul style="list-style-type: none"> ■ הסירו את הסוללות, נקו את הפסולת. ■ צרו קשר עם מרכז השירות של EGO לצורך תיקון. ■ רוקנו את שקית העלים בהתאם להוראות בפרק כדי להסיר ולרוקן את שקית העלים בסעיף הרכבה. 	<ul style="list-style-type: none"> ■ פתח כניסת האוויר חסום על ידי פסולת. ■ בלאי מוגבר של מאוורר המנוע. ■ יותר מדי פסולת בתוך שקית העלים. 	מהירות האוויר פוחתת באופן משמעותי.

אחריות

מדיניות האחריות של EGO

אנא בקרו באתר egopowerplus.eu עבור התנאים וההתניות השלמים של מדיניות האחריות של EGO.

פלסטיק. רוב חלקי הפלסטיק עלולים להינזק מסוגים שונים של ממצים מסחריים ועל ידי השימוש בהם. השתמש במטליות נקיות על מנת להסיר לכלוך, אבק, שמן, חומר סיכה וכו'.

⚠ אזהרה: לעולם אל תיתנו לנוזלי בלימה, בנדין, מוצרים מבוססי בנדין, שמנים וכו', לבוא במגע עם חלקי פלסטיק. חומרים כימיים עלולים להזיק, להחליש או להרוס את הפלסטיק והדבר עלול לגרום לפציעה אישית חמורה.

אחסון

- הסירו את מארז הסוללה מן המכשיר.
- נקו את כל החומרים הזרים מפתחי כניסת האוויר של המכשיר.
- אחסנו את הכלי במקום סגור הרחק מהישג ידם של ילדים. הרחיקו מחומרים הגורמים לקורזיה כגון כימיקלים לגינה ומלחים מסירי קרח.

הגנה על הסביבה

אין לזרוק ציוד חשמלי, מטעני סוללות וסוללות ביחד עם אשפה ביתית! קחו מוצרים אלו למרכז מחזור מוסמך ו-וודאו שהם זמינים לאיסוף נפרד. יש להחזיר כלים חשמליים אל מתקן מחזור המתאים לסביבה.



אורן.

טיפים לשימוש במפוח (איור K)

- לשימוש במכשיר כמפוח, בצעו את ההוראות בסעיף הרכבה כדי להתקין את גוף השואב.
- כדי להימנע מפיזור הפסולת, נשפו סביב הקצוות החיצוניים של ערימת פסולת. לעולם אל תנשפו ישירות למרכז הערימה.
- להפחתת רמות הרעש, הגבילו את מספר חלקי הציוד של המכשיר החשמלי, המשמשים בבת אחת.
- השתמשו במגרפות ומטאטאים לשחרור הפסולת לפני השימוש במפוח. בתנאי אבק, הרטיבו מעט את המשטחים אם יש מים בנמצא.
- חסכו במים על ידי שימוש במפוחים במקום בצינורות ליישומים רבים בגינה ובדשא כולל אזורים כגון מרזבים, רשתות, חצרות פנימיות, מכשירי גריל, מרפסות וגינות.
- שימו לב לילידים, חיות מחמד, חלונות פתוחים או מכונות שה עתה נשטפו, ונשפו את הפסולת הרחק משם בביטחה.
- לאחר שימוש במפוחים או בציוד אחר, נקו אחריכם! השליכו את הפסולת כראוי.

טיפים לשימוש בשואב (איור L)

- לשימוש במכשיר כשואב, בצעו את ההוראות בסעיף הרכבה כדי להתקין את גוף השואב, שקית העלים ורצועת הכתף.
- בדקו את שקית הדשא בתדירות גבוהה לסימני בלאי או נזקים כלשהם.
- כדי למנוע העלאת אבק, יש לסגור לחלוטין את רוכסן שקית העלים לפני הפעלת המכשיר.
- רוקנו את שקית העלים לפני שהיא מתמלאת.
- כדי למנוע כניסת מים למכשיר, השתמשו במכשיר כדי לאסוף עלים רטובים מהקרקע, אך לא מהבריכה.
- אל תאפשרו כניסה של שקיות ניילון, בד וחפצים אחרים שלא קל לשבור ויכולים בקלות להסתבר, לתוך המכשיר.
- אין לאפשר לחומרים קשים, כגון שבבי עץ גדולים, מתכות, זכוכית, חלוקי נחל וכו', להישאב לתוך המכשיר.

תחזוקה

- ▲ **אזהרה:** במקרה של עבודות תיקון, השתמש רק בחלקי חילוף זהים. שימוש בחלקי חילוף אחרים עלול לגרום לסכנה או נזק למוצר. על מנת להבטיח בטיחות ואמינות, יש לבצע את כל התיקונים וההחלפות בעזרת טכנאי שירות מוסמך.
- ▲ **אזהרה:** על מנת למנוע פציעות אישיות, הסר תמיד את מארז הסוללה מן המוצר לפני הניקיון או ביצוע כל עבודת תחזוקה.
- **תחזוקה כללית**
הימנעו משימוש בממסים כאשר אתם מנקים חלקי

הודעה: יש להשתמש במכשיר רק עבור המטרות להן הוא יועד. כל שימוש אחר ייחשב לשימוש בלתי הולם.

הצמדה/הסרה של מארז הסוללה

יש להשתמש רק במארזי הסוללה והמטענים של EGO המפורטים באיור A2.

הערה: הטעינה לגמרי את מארז הסוללה לפני השימוש הראשוני.

על מנת להצמיד

יישרו את עורקי הסוללה עם חריצי ההרכבה ולחצו את מארז הסוללה כלפי מטה עד הישמע "קליק" (איור 11).

להסרה (איור 12)

לחצו על כפתור שחרור הסוללה והוציאו את מארז הסוללה (איור 12).

▲ **אזהרה:** תמיד היו מודעים אל המיקום של הרגליים שלכם, ילדים או חיות מחמד, בעת לחיצה על כפתור שחרור הסוללה. עלולה להיגרם פציעה חמורה אם מארז הסוללה ייפול. לעולם אל תסירו את מארז הסוללה במקומות גבוהים.

הפעלה/כיבוי של המכשיר

הדק מהירות האוויר בלבד

1. לחצו על הדק מהירות האוויר כדי להפעיל את המכשיר.
2. מהירות האוויר של המכשיר מבוקרת על ידי הדק המהירות המשתנה. לחץ רב יותר על ההדק גורם למהירויות אוויר גבוהות יותר; פחות לחץ על ההדק גורם למהירויות אוויר נמוכות יותר. התאימו את המהירות כך שתתאים למשימה הנוכחית.
3. שחררו את הדק מהירות האוויר כדי לכבות את המכשיר.

חוגת מהירות/נעילה בלבד

ניתן לנעול את המכשיר בכל מהירות שהיא בעזרת חוגת הנעילה המהירה.

1. סובבו את חוגת המהירות/נעילה לכיוון מתלה רצועת הכתף הסמוך כדי להפעיל את המכשיר. מהירות האוויר תגדל עם סיבוב החוגה עד שתגיע למהירות מרבית (MAX).
2. כדי להקטין את מהירות האוויר, סובבו את חוגת המהירות/נעילה לכיוון הנגדי.
3. המשיכו לסובב את חוגת המהירות/נעילה נגד כיוון השעון עד למצב הכבוי כדי לכבות את המכשיר.

הודעה: אם חוגת המהירות/נעילה אינה מסובבת בחזרה למצב הכבוי לפני הוצאת הסוללה, המפוח לא יופעל כאשר מותקנת סוללה טעונה. זהו מאפיין הגנה שיעזור למנוע הפעלות בלתי מכוונות. לחצו על הדק מהירות האוויר כדי להשבית את ההגנה ולהפעיל את המפוח.

נעילת הצינור.

2. הסירו את גוף השואב.
3. לחצו על סורג יניקת האוויר לכיוון פתח האוויר עד שידיית המנועול ננעלת.

הרכבת רצועת הכתף (איור H)

לחצו על טבעות הרצועה כדי לפתוח אותם וחברו אותם למתלי רצועת הכתף בכל קצה של המכשיר. יישן שתי דרכים לשחרר את הרצועה. הסירו אותה ישירות מהכתף או לחצו על אחת הטבעות כדי לנתק את רצועת הכתף ממתלה רצועת הכתף.

⚠ אזהרה: בעת השימוש ברצועה, שום פריט לבוש אחר לא צריך להפריע לשחרור והסרה של הרצועה.

⚠ אזהרה: אם קיים מצב חירום, הסירו אותה מיד מהכתף, ללא קשר לדרך בה היא חוברת.

⚠ אזהרה: נא לא להשתמש ברצועת כתף אחת וברצועת כתף כפולה בעת ובעונה אחת.

⚠ אזהרה: אין להשתמש ברצועת כתף ובתמייל גב EGO BH1000 בזמנית. זה ימנע שחרור חירום מהיר של המכונה, וכתוצאה מכך נלול לגרום לפציעה גופנית.

הלעפה

⚠ אזהרה: אל תניח לעובדה שאתה מכיר את המוצר להפוך אותך לפחות זהיר. זכור שחוסר זהירות של שבריר אחד של שנייה מספיק כדי לגרום לפציעה אישית חמורה.

⚠ אזהרה: ענדו תמיד משקפי בטיחות עם הגנה צדדית, ביחד עם מגני שמיעה. אם לא תעשו זאת, עצמים עלולים לחדור לעיניים שלכם ועולות לגרום לפציעה חמורה.

⚠ אזהרה: על מנת למנוע הפעלה מקרית אשר עלולה להוביל לפציעה אישית חמורה, הסירו תמיד את מארז הסוללה מן המכשיר בעת הרכבת חלקים, ביצוע התאמות, ניקיון או כאשר המכשיר איננו נמצא בשימוש.

⚠ אזהרה: אין לעשות שימוש בחיבורים או אביזרים אשר לא הומלצו על ידי יצרן מוצר זה. השימוש בחיבורים או אביזרים אשר לא הומלצו עלול לגרום לפציעה חמורה. לפני כל שימוש, יש לבדוק את כל המוצר עבור חלקים ניזוקים, משוחררים או חסרים, כגון ברגים, אומים, בריחים, מכסים וכו'. הדקו בבטחה את כל האבזמים והמכסים ואל תפעילו את המוצר עד אשר חלקים חסרים או ניזוקים תוקנו או הוחלפו.

יישומים

ניתן להשתמש במוצר אך ורק לצורך המטרות המפורטות להלן:

- איסוף עלים, גזירי דשא ופסולת אחרת.
- פינוי משטחים קשים כגון דרכי גישה ברגל או ברכב.
- שמירה על דרכי גישה ומשטחי עץ פנויים מעלים ומחטי

הרכבה/הסרה של הפיה המחודדת של המפוח

להרכבה (איור C1 ו-C2)

יישרו את החריץ שבפיה המחודדת עם כפתור הצינור ודחפו את הפיה על גבי הצינור עד שתיכנס למקומה בנקישה.

להסרה (איור C3)

לחצו והחזיקו את לחצן שחרור הפיה כדי לנתק את הברח, ואז משכו את הפיה הישר מצינור המפוח.

הרכבה/הסרה של גוף השואב

להרכבת פיית השואב (איור D)

הודעה: לאחר החיבור הראשון של פיית השואב לצינור השואב הם הופכים למכלול השואב שלא ניתן לפירוק. יישרו את החריץ ודחפו את הפייה על צינור השואב עד שכפתור נעילת פיית השואב יינעל במקומו.

כדי להרכיב את גוף השואב

1. לחצו על ידיית נעילת צינור השואב כדי לשחרר את סורג יניקת האוויר, ולאחר מכן פתחו את הסורג (איור E1 ו-E2).

E-1	ידיית נעילת צינור השואב
-----	-------------------------

2. יישרו את שתי הפינות המרובעות המוגבהות בגוף השואב עם שני החריצים המרובעים השקועים בפתח האוויר כפי שמוצג באיור E3 כדי לחבר את הגוף.
3. לחצו את גוף השואב לכיוון פתח כניסת האוויר עד שידיית נעילת צינור השואב ננעלת (איור E4).
4. לחצו על סורג יניקת האוויר כנגד גוף השואב (איור E5).

להרכבת שקית העלים (איור F)

1. יישרו את החריץ ודחפו את מחבר שקית העלים אל גוף השואב עד שידיית נעילת שקית העלים ננעלת.

F-1	מחבר שקית העלים	F-3	לולאת שק עלים
F-2	ידיית נעילת שקית העלים		

2. תלו את לולאת שקית העלים על הוו בגוף השואב כפי שמוצג באיור F.

להסרה ולריקון של שקית העלים (איור G1)

1. הסירו את לולאת שקית העלים מהוו שעל גוף השואב.
2. לחצו על ידיית נעילת שקית העלים כדי לנתק את התפס ולאחר מכן הסירו את השקית.
3. פתחו את הרוכסן כדי לרוקן את שקית העלים.

G-1	רוכסן
-----	-------

כדי להסיר את גוף השואב (איור G2 ו-G3)

1. לחצו על ידיית נעילת צינור השואב כדי לפתוח את

הודעה: פליטת הרטט בעת השימוש המעשי בכלי יכולה להיות שונה מן הערך המוצהר כאשר הכלי נמצא בשימוש; על מנת להגן על המפעיל, על המשתמש ללבוס כפפות ומגני אוזניים בעת השימוש למעשה.

רשימת אריזה (איור A1)

רואית

הכירו את המסור החשמלי שלכם (איור A1)

1. פיית השואב
2. צינור השואב
3. ידית נשיאה לגוף השואב
4. סורג יניקת אוויר
5. ידית קדמית
6. כפתור שחרור סוללה
7. מהירות/נעילה על החוגה
8. מתלה רצועת כתף
9. ידית ראשית
10. הדק מהירות האוויר
11. שקית עלים
12. רצועת כתף
13. חיבורים חשמליים
14. בריח
15. צינור המפוח
16. פיה מחודדת

הרכבה

⚠ אזהרה: אם ישנם חלקים ניזוקים או חסרים, אל תפעילו את המכשיר עד אשר חלקים אלו יוחלפו. שימוש במכשיר זה עם חלקים פגומים או חסרים עלול לגרום לפציעה אישית חמורה.

⚠ אזהרה: אל תנסו לשנות את המוצר או ליצור אביזרים אשר אינם מומלצים לשימוש ביחד עם המסור המוצר. כל שינוי או הספה מהווים שימוש לא נכון במכשיר ועלול ליצור תנאים מסוכנים שעלולים להוביל לפציעה אישית.

⚠ אזהרה: על מנת למנוע הפעלה מקרית אשר עלולה להוביל לפציעה אישית חמורה, הסירו תמיד את מאזר הסוללה מן המכשיר בעת הרכבת חלקים.

הודעה: לא ניתן להפעיל את המכשיר עד שצינור המפוח או גוף השואב ושקית העלים מורכבים באופן מלא ונכון.

הרכבה/הסרה של צינור המפוח

להרכבה (איור B1 ו-B2)

יישרו את החרוץ ודחפו את הצינור על גוף המפוח עד שידית נעילת צינור המפוח ננעלת.

B-1	ידית נעילת צינור מפוח
-----	-----------------------

להסרה (איור B3)

לחצו על ידי נעילת המפוח כדי לנתק את התפס ולאחר מכן הסירו את הצינור.

אינו מחובר. וודאו תמיד שצינור המכשיר מחובר.

■ לנעול את תשתמשו במכשיר ליד אש או אפר חם. השימוש ליד אש או אפר יכול לגרום להתפשטות שרפות ולפציעה חמורה ו/או נזק לרכוש.

■ לנעול את תשתמשו במכשיר כדי לפזר כימיקלים, דשנים או חומרים רעילים אחרים. פיזור חומרים אלה יכול לגרום לפציעה חמורה למעיל או לסובבים.

■ שימרו על הוראות אלה. יש לעיין בהוראות לעתים תכופות ולעקוב אחריהן כדי שתוכלו להדריך אחרים העשויים להשתמש במכונה. אם אתה משאיל את המכונה למישהו אחר, תן לו גם את ההוראות הללו על מנת למנוע שימוש לא נכון במכונה או פציעות אפשריות.

שימרו על הוראות אלו!

מפרטים

מתח מדורג	56V	
מפוח	נפח אוויר מקסימלי	ש"קמ 850
	מהירות האוויר המקסימלית	רוניצ (סע) היינש/מ' 64 (דבלב חופמ סע) היינש/מ' 93 (תדדוחמה היפה
	עוצמת נשיפה מקסימלית	15 N
קיבולת שקית העלים	40 ליטר	
מקסימום קצב גריסה	16 : 1	
משקל (ללא מאזר סוללות ופייה)	(באוש) ג"ק 5.8 (חופמ) ג"ק 4.2	
טמפרטורת הפעלה מומלצת	40°C דע -15°C	
טמפרטורת אחסון מומלצת	70°C דע -20°C	
תצלמום הניעט תרוטרפמט	40°C דע 5°C	
L_{WA} תדדמנ לוק תמצוע תמר	100 dB(A) K=1.9 dB(A)	
הדובע תדמעב לוק פחל תמר	88 dB(A) K=3 dB(A)	
L_{WA} תחטבומו לוק תמצוע תמר (L/2000/14/EC ל-אתהב)	102 dB(A)	
רטט a_n	מקסימום 1.80 מ' / שנייה ² K=1.5 מ' /שנייה ²	

■ תטישל אתהתב דדמנ רהצומה יללכה טטרה ררע תושהל ננמ לע וב שמתשהל ותינו תיטרדנטס הקידב רחא. דויצ סע דחא דויצ

■ הכרעהה רהצומה יללכה טטרה ררעב שמתשהל ותינו הפישה לש תינושאר

תחזוקה ואחסון

- שימרו על כל האומים, הבריחים והברגים הדוקים על מנת לוודא שהמכשיר נמצא בתנאי עבודה טובים.
- החליפו חלקים בלויים או פגומים.
- השתמשו בחלקי חילוף ואביזרים מקוריים בלבד.
- אחסנו את המכשיר במקום יבש בלבד.

⚠ אזהרה: כדי להפחית את הסיכון לשרפה, הلم חשמלי או פציעה:

חשוב

קראו בעיון לפני השימוש.

שמרו לעיון עתידי.

■ אל תאפשרו להשתמש במכונה כצעצוע. נדרשת זהירות יתירה בעת שימוש על ידי ילדים או בקרבם.

■ אם המפוח אינו עובד כמו שצריך, הוא הופל, נפגע, או נפל לתוך מים, החזירו אותו למרכז שירות.

■ אין להניח חפצים בפתחי המכשיר. אין להשתמש כאשר פתח כלשהו חסום, יש לשמור על כל הפתחים נקיים מאבק, מוך, שיער וכל דבר העלול להפחית את זרימת האוויר.

■ פעלו בזהירות יתירה בעת הניקיון מדרגות.

■ אין להשאיר את המכשיר ללא השגחה כאשר תקע הסוללה מחובר. הוציאו את הסוללה כאשר המכשיר אינו בשימוש ולפני טיפול.

■ אין לטפל במטען, כולל תקע המטען או מסופי המטען בידיים רטובות.

■ אין להטעין את מארז הסוללה מחוץ לבית.

⚠ אזהרה:

- יש להסיר את מארז הסוללה מן הציוד טרם זריקתו.

- יש להשליך את הסוללות בדרך בטוחה.

■ אל תנסו לפנות חסימות מהיחידה מבלי להוציא תחילה את הסוללה.

■ שימרו על המכשיר והידיה יבשים, נקיים וללא שמן או חומרי סיכה. יש להשתמש תמיד במטלית נקיה בעת הניקיון. לעולם אין להשתמש בנוזלי בלמים, דלק, מוצרים מבוססי בנזין או כל ממש חזק אחר כדי לנקות את המכשיר. ביצוע הוראה זו יפחית את הסיכון לאבדן שליטה ולבלאי של חיפוי הפלסטיק.

■ סוללות יכולות להתפוצץ בנוכחות מקור הצתה כגון להבית. כדי להפחית את הסיכון לנזק חמורה לעולם אל תשתמשו במוצרים אלחוטיים בנוכחות להבות גלויות. להבה שהתפוצצה יכולה להעיף סביב פסולת וכימיקלים. אם נחשפתם, שטפו מיד בכמות גדולה של מים.

■ לעולם אל תפעילו את היחידה כאשר הציוד הנדרש

הסרת כל חלק שעשוי לתת גישה למאורר. הדבר מקטין את הסיכון לפציעה מחלקים נעים.

■ בעת ניקוי חומר תקוע או טיפול במכשיר, ודאו שהמתג כבוי. התנעה בלתי צפויה של המכשיר בעת פינוי חומרים תקועים או ביצוע עבודות שירות עלולה לגרום לפציעה אישית חמורה.

קראו את כל ההוראות לפני השימוש במוצר זה!

הכשרה

■ לעולם אין לאפשר לילדים, לאנשים בעלי יכולות פיזיות, תחשיות או מנטליות מוגבלות או חוסר ניסיון וידע או לאנשים שאינם מכירים את ההוראות להשתמש במכשיר.

■ המפעיל או המשתמש אחראיים עבור כל תאונה או סכנה אשר עלולים להתרחש לאנשים אחרים או לרכושם.

הכנה

■ ניתן להשתמש במכונה בגשם או בתנאים רטובים. יש לייבש את המכונה לאחר סיום העבודה.

■ לפני השימוש יש לבדוק שהסוללות או מארזי הסוללה אינם פגומים. אין להשתמש במכשיר אם הסוללות או מארז הסוללה פגומים.

הפעלה

■ ניתן להשתמש במכונה בגשם או בתנאים רטובים. יש לייבש את המכונה לאחר סיום העבודה.

■ נתקו את הסוללות או מארזי הסוללות:

1. כאשר אתם עוזבים את המכשיר;

2. לפני ניקיון של חסימה;

3. לפני בדיקה, ניקיון או עבודה על הציוד;

4. אם המכשיר מתחיל לרטוט באופן שאיננו נורמלי.

■ בעת השימוש על גבי מדרונות, היו בטוחים בצעדים שלכם.

■ לכו, לעולם אל תרצו.

■ הקפידו שכל פתחי כניסת האוויר הקר יהיו נקיים מפסולת.

■ מומלץ להפעיל את המכשיר בשעות סבירות בלבד - לא מוקדם בבוקר או מאוחר בלילה כאשר הדבר עלול להפריע לאנשים אחרים.

■ מומלץ להרטיב מעט את המשטחים במצבים של ירבו אבק או להשתמש בתרסיס המצורף.

■ **⚠ אזהרה:** סכנה מפני חלקים מסתובבים! השתמשו בכל מאריך הפיה של המכשיר כדי שזרם האוויר יוכל לפעול קרוב יותר לקרקע.

■ אין להפעיל את המכשיר ליד חלונות פתוחים וכד'.

■ **תחזוקו מכוונת ואבזרים.** בדקו יישור או ליפוף של חלקים נעים, שבירה של חלקים ותנאים אחרים אשר עלולים להשפיע על פעולת המכשיר. במקרה של זקקים, יש לתקן את המכשיר לפני השימוש. תאונות רבות נגרמות כתוצאה מתחזוקה לקויה של מכשירים.

■ **שמרו על מכשירי החיתוך חדים ונקיים.** למכשירי חיתוך אשר תוחזקו כהלכה בעלי קצוות חדים יש פחות סיכוי לבצע ליפוף וקל יותר לשלוט בהם.

■ **השתמשו במכשירים, באבזרים, בביטים של המכשירים וכו' בהתאם להוראות אלו, כאשר אתם לוקחים בחשבון את תנאי העבודה ואת העבודה שיש לבצע.** השימוש במכשיר לפעולות שלהן הוא אינו מיועד עלול להוביל למצב מסוכן.

■ **שימרו על הידיות ועל חלקי האחיזה יבשים, נקיים וללא שמן או חומרי סיכה.** ידיות ומשטחי אחיזה מחליקים לא מאפשרים טיפול נכון ושליטה במכשיר במצבים לא צפויים.

השימוש והטיפול בסוללת המכונה

■ **הטעינו רק עם המטען המצויין על ידי היצרן.** מטען המתאים למארז סוללה אחד עלול ליצור סכנת אש עבור מארז סוללה אחר.

■ **יש להשתמש במכשירים אך ורק עם מארזי הסוללה המיועדים להם.** השימוש במארזי סוללה אחרים עלול ליצור סיכון לפציעות ושרפות.

■ **כאשר מארז הסוללה איננו בשימוש, שימרו עליו במרחק מסוים מעצמים אחרים העשויים ממתכת, כגון מהדקי נייר, מטבעות, מפתחות, מסמרים, ברגים או עצמים קטנים ממתכת העלולים לבצע חיבור של מסוף אחד למשנהו.** ביצוע קצר בין מסופי הסוללה עלול לגרום לכוויות או שריפה.

■ **בתנאי שימוש לא נאותים, נודל עלול להיפלט מן הסוללה; הימנעו ממגע עמו.** אם ישנו מגע מקרי, שטפו במים. אם מתרחש מגע עם העיניים, בנוסף, פנו לעזרה רפואית. נודל הנפלט מן הסוללה עלול לגרום לפריחה או כוויות.

■ **אל תשתמשו במארז סוללה או מכשיר ניזוקים או אשר שנו.** סוללות ניזוקות או אשר שנו עלולות להתנהג בצורה לא צפויה אשר עלולה להסתיים בשריפה, פיצוץ או סיכון לפציעה אישית.

■ **אל תטשפו את מארז הסוללה או את המכשיר לאש או לטמפרטורות גבוהות.** חשיפה אל אש או טמפרטורות הגבוהות 130°C עלולה לגרום לפיצוץ.

■ **בצעו את כל הוראות ההטענה ואל תטעינו את מארז הסוללה או את המכשיר מחוץ לטווחי הטמפרטורה המצוינים בהוראות אלו.** הטענה לא נכונה או מחוץ לטווחי הטמפרטורה המצוינים עלולים לגרום לנזק ולהעלות את הסיכון לשרפה.

■ שירות

■ **בצעו עבודות שירות על המכשיר שלכם רק באמצעות**

טכנאי שירות מוסמך העושה שימוש בחלקי חילוף זהים בלבד. הדבר יבטיח שבטיחות המכשיר נשמרת.

■ **לעולם אל תבצעו עבודות שירות למארזי סוללה ניזוקים.** תיקון של מארזי סוללה צריך להתבצע רק על ידי היצרן או ספקי שירות מוסמכים.

אזהרות בטיחות למפוח/ואקום

■ **אין להשתמש במכשיר בתנאי מזג אוויר רע, במיוחד כאשר ישנו סיכון לברק.** הדבר מפחית את הסיכון להיפגע על ידי ברק.

■ **בדקו את אספן הפסולת בתדירות גבוהה לסימני בלאי או נזקים כלשהם.** אוסף פסולת שחוק או פגום עלול להגביר את הסיכון לפציעה גופנית.

■ **יש להשתמש במגן עיניים ומגן אוזניים.** ציוד הגנה מתאים יפחית את הסיכון לפגיעה גופנית.

■ **בעת הפעלת המכשיר, יש לנעול תמיד נעליים מונעות החלקה ומגנות.** אל תפעילו את המכשיר כאשר אתם יחפים או נועלים סנדלים. זה מקטין את הסיכון לפציעה בכפות הרגליים.

■ **אין ללבוש בגדים רפויים או פריטים כגון צעיפים, חוטים, שרשראות, עניבות וכו', שעלולים להישאב לתוך פתחי האוויר.** קשרו לאחור או כסו שיער ארוך כדי לוודא שהוא לא נמשך לתוך פתחי האוויר. אם אחד מהפריטים האלה נמשך לתוך פתחי האוויר, זה יכול להגדיל את הסיכון לפגיעה גופנית.

■ **יש להרחיק ילדים ועוברי אורח מהמכשיר בעת הפעלתו.** פסולת מושלכת עלולה להגביר את הסיכון לפגיעה גופנית.

■ **אין להשתמש במצב ואקום כשאוסף הפסולת אינו מותקן.** חפצים שנדרקו עלולים להגביר את הסיכון לפציעה גופנית.

■ **לעולם אין לכוון את פיית המפוח לכיוון אנשים או חיות מחמד או לכיוון חלונות.** יש לנקוט משנה זהירות בעת סילוק פסולת באמצעות המפוח ליד חפצים מוצקים, כגון עצים, מכוניות וקירות שעלולים לגרום לנזקים של הפסולת. חפצים מושלכים עלולים לגרום נזק לרכוש ולהגביר את הסיכון לפגיעה גופנית.

■ **אין להשתמש במכונה כדי להרים או לסלק באמצעות המפוח כל דבר שנשרף או מעשן, כגון סיגריות, גפרורים או אפר חם.** מקורות הצתה אלה עלולים להגביר את הסיכון לשריפה.

■ **אין לשאוב מים או נוזלים אחרים או לטבול חלק כלשהו של המכונה בנוזל.** מים הנכנסים אל המכשיר יגבירו את הסכנה להתחשמלות.

■ **אין לשאוב אבנים, חצץ, מתכת או זכוכית שבורה.** גלגל המאורר עלול להיזקק ולהגביר את הסיכון לפציעה גופנית.

■ **אין לגעת במאורר בעודו בתנועה.** יש לכבות את המכשיר ולהמתין עד שהמאורר יפסיק לפעול לפני

■ **השתמשו בצידוד הגנה אישי.** חבשו תמיד מגני עיניים. כאשר נעשה שימוש בצידוד הגנה כגון מסכת אבק, נעלי בטיחות נגד החלקה, כובעים קשים או מגני אוזניים, בתנאים המתאימים, הדבר יפחית את הסיכון לפציעות אישיות חמורות.

■ **יש להימנע מהפעלה מקרית.** וודאו שהמתג נמצא במצב כבוי לפני חיבור של מקור מתח ו/או מארז הסוללה, לפני הרמת המכשיר או נשיאתו. נשיאה של מכשירים כאשר האצבע שלכם ממוקמת על המתג או חיבור מקורות מתח למכשירים הנמצאים במצב פועל, מזמנים תאונות.

■ **יש להסיר כל כלי כוונון או מפתח ברגים לפני הפעלת המכשיר.** מפתח ברגים או כלי כוונון המוצמדים אל רכיב מסתובב של המכשיר עלול לגרום לפציעה אישית חמורה.

■ **אל תנסו להתמתח רחוק מדי.** שימרו על צעד ואיזון בטוחים בכל זמן. הדבר מאפשר שליטה טובה יותר במכשיר במצבים בלתי צפויים.

■ **לבשו בגדים מתאימים.** אל תלבשו בגדים רפויים או תכשיטים. שימרו על השיער והביגוד שלכם הרחק מחלקים נעים. בגדים רפויים, תכשיטים או שיער ארוך עלולים להיתפס בחלקים הנעים.

■ **אם המכשירים מגיעים ביחד עם חיבור הוצאת אבק ומתקני איסוף, וודאו שאלו מחוברים כהלכה והשימוש בהם נעשה באופן נכון.** השימוש במתקני אבק יכול להפחית סכנות הקשורות לאבק.

■ **נקטו זהירות בעת השימוש במכשיר גם לאחר שאתם בקיאים בשימוש, ואל תיתנו לנוחיות השימוש שלכם להפוך אותכם לשאננים ולהתעלם מעקרונות הבטיחות.** פעולה לא זהירה עלולה לגרום לפציעה חמורה בתוך שבריר שנייה.

השימוש והטיפול במכשיר

■ **אל תפעילו כוח על המכשיר.** השתמשו במכשיר המיועד למטרה שלכם. המכשיר הנכון יבצע את עבודתו בצורה טובה ובטוחה יותר בקצב בו הוא תוכנן לפעול.

■ **אין להשתמש במכשיר אם מתג ההפעלה והכיבוי אינו פועל.** מכשיר אשר לא ניתן לשלוט בו בעזרת המתג הוא מסוכן ויש לתקן אותו.

■ **נתקו את התקע ממקור החשמל ו/או הסירו את מארז הסוללה מן המכשיר לפני ביצוע כל התאמה, החלפת אבזרים, או אחסון של מכשירי חשמל.** אמצעי זהירות למניעה אלו מפחיתים את הסיכון להפעלה מקרית של המכשיר.

■ **יש לאחסן את המכשיר כשאינו בשימוש מחוץ להישג ידם של ילדים ואין לאפשר לאנשים שאינם מכירים את המכשיר או את ההוראות האלה להפעיל את המכשיר.** מכשירים מסוכנים כאשר הם בהישג ידם של אנשים אשר לא הוכשרו להפעיל אותם.

אזהרות בטיחות כלליות למכשיר

▲ **אזהרה:** קראו את כל אזהרות הבטיחות, את ההוראות, התמונות והמפרטים המסופקים ביחד עם מכשיר זה. אי מילוי כל ההוראות המופיעות למטה עלול לגרום להלם חשמלי, שרפה ו/או פציעה חמורה.

שימרו את כל האזהרות וההוראות לעיון עתידי.

המושג "מכשיר" בחלק האזהרות מתייחס אל המכשיר שלכם (חוטי) או מכשיר המונע על ידי סוללות (אלחוטי).

בטיחות סביבת העבודה

■ **שימרו על סביבת העבודה נקייה ומוארת כהלכה.** סביבות לא מסודרות ואפלות מזמזמות תאונות.

■ **אל תפעילו מכשירים באזורים דליקים, בנוכחות נוזלים דליקים, גזים או אבק.** מכשירים מייצרים ניצוצות העלולים להצית את האבק או האדים.

■ **בקשו מילדים ומעוברי אורח להתרחק מן המכשיר בעת הפעלתו.** הסחות דעת עלולות לגרום לכם לאבד שליטה.

בטיחות חשמלית

■ **התקעים של המכשיר צריכים להיות מתאימים לשקע. לעולם אל תשנו את התקע בכל צורה שהיא.** אל תשתמשו במתאמים עבור תקעים של מכשירים בעלי הארקה. תקעים שלא שונו ושקעים מתאימים יפחיתו את הסיכון לשוק חשמלי.

■ **הימנעו ממגע עם משטחים בעלי הארקה, כגון צינורות, רדיאטורים, כיריים ומקררים.** יש סיכון גבוה להלם חשמלי אם הגוף שלכם מוארק.

■ **אין לחשוף את המכונות לגשם או לתנאי רטיבות.** מים הנכנסים אל המכונה יגבירו את הסכנה להלם חשמלי.

■ **אל תפעילו לחץ על הכבל.** לעולם אל תשתמשו בכבל על מנת לשאת, למשוך או להוציא את המכשיר מן השקע. שימרו על הכבל הרחק ממקורות חום, שמן, קצוות חדים או חלקים נעים. כבלים ניזוקים או מלופפים מגבירים את הסיכון לשוק חשמלי.

■ **בעת הפעלת המכשיר בחוץ, עשו שימוש בכבל מאריך המתאים לשימוש בחוץ.** השימוש בכבל מאריך המתאים לשימוש בחוץ מפחית את הסיכון לשוק חשמלי.

■ **אם לא ניתן להימנע מהפעלת המכשיר במקום לח, עשו שימוש במפסק פחת להגנה על המתח.** השימוש במפסק פחת מפחית את הסיכון לשוק חשמלי.

בטיחות אישית

■ **יש להישאר דרוכים ומודעים, ולהשתמש בשכל הישר בעת שימוש במכשיר.** נא לא להשתמש במכשיר כאשר אתם עייפים או תחת השפעה של סמים, אלכוהול, תרופות. רגע אחד של חוסר תשומת לב בעת הפעלת מכשירים עלול לגרום לפציעה אישית חמורה.

קראו את כל ההוראות!

קראו את מדריך ההוראות

אזהרה: על מנת להבטיח בטיחות ואמינות, יש לבצע את כל התיקונים וההחלפות בעזרת טכנאי שירות מוסמך.
אזהרה: ודאו שאתם קוראים ומבינים את כל הוראות הבטיחות המופיעות במדריך זה למשתמש, כולל את כל סימני התראות הבטיחות כגון „סכנה“, „אזהרה“ ו-„זהירות“ לפני השימוש במכשיר זה. אי מילוי אחר כל ההוראות המופיעות למטה יכול לגרום להלם חשמלי, שרפה ו/או פציעות אישיות חמורות.
שימרו את כל האזהרות וההוראות לעיון עתידי.

ממלי בטיחות

אזהרה: הפעלה של כלי עבודה חשמליים עלולה לגרום לעצמים זרים להיזרק אל תוך העיניים, דבר העלול לגרום לנזק חמור לעיניים. לפני ההפעלה של כלי עבודה חשמלי, ענדו תמיד משקפי מגן או משקפי בטיחות עם הגנה צדדית, ובעת הצורך, הגנה עבור כל הפנים. אנו ממליצים על שימוש במסכת בטיחות רחבה מעל למשקפי המגן או על שימוש במשקפי בטיחות עם הגנה צדדית.

על מנת להפחית את הסיכון לפציעות, על המשתמש לקרוא ולהבין את המדריך למשתמש לפני השימוש במוצר זה.

התראת בטיחות



הרחיקו אנשים אחרים למרחק של 15 מ' לפחות.



יש להשתמש תמיד במגן אזניים ומגן עיניים בעת הפעלת מוצר זה.

מוצר זה תואם לתקנת ה-EC הרלוונטיות.



רמת עוצמת קול מובטחת. פליטת רעש אל הסביבה בהתאם לתקנת הנציבות האירופית.



מוצר זה תואם לחוקים הרלוונטיים בבריטניה.



אין לזרוק מוצרים חשמליים כחלק מאשפה ביתית. יש להביא את המכשיר למרכז מחזור מוסמך.



הגנה מפני התזת מים IPX4

זרם ישיר

לדקות.. לדקה

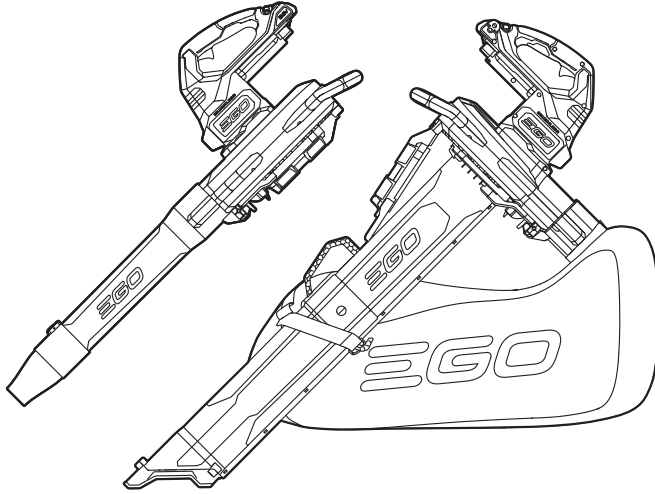
מתח V

מהירות ללא עומס n_0

רטמילימ מ"מ

EGO™

POWER⁺ BLOWER VACUUM



LV5000E

שואב מפוח אלחוטי עם סוללת ליתיום-יון 56 וולט

HE

منفاخ (בלور)/مكنسة لاسلكي لورق الشجر ببطارية

AR

ليثيوم-أيون 56 فولت

