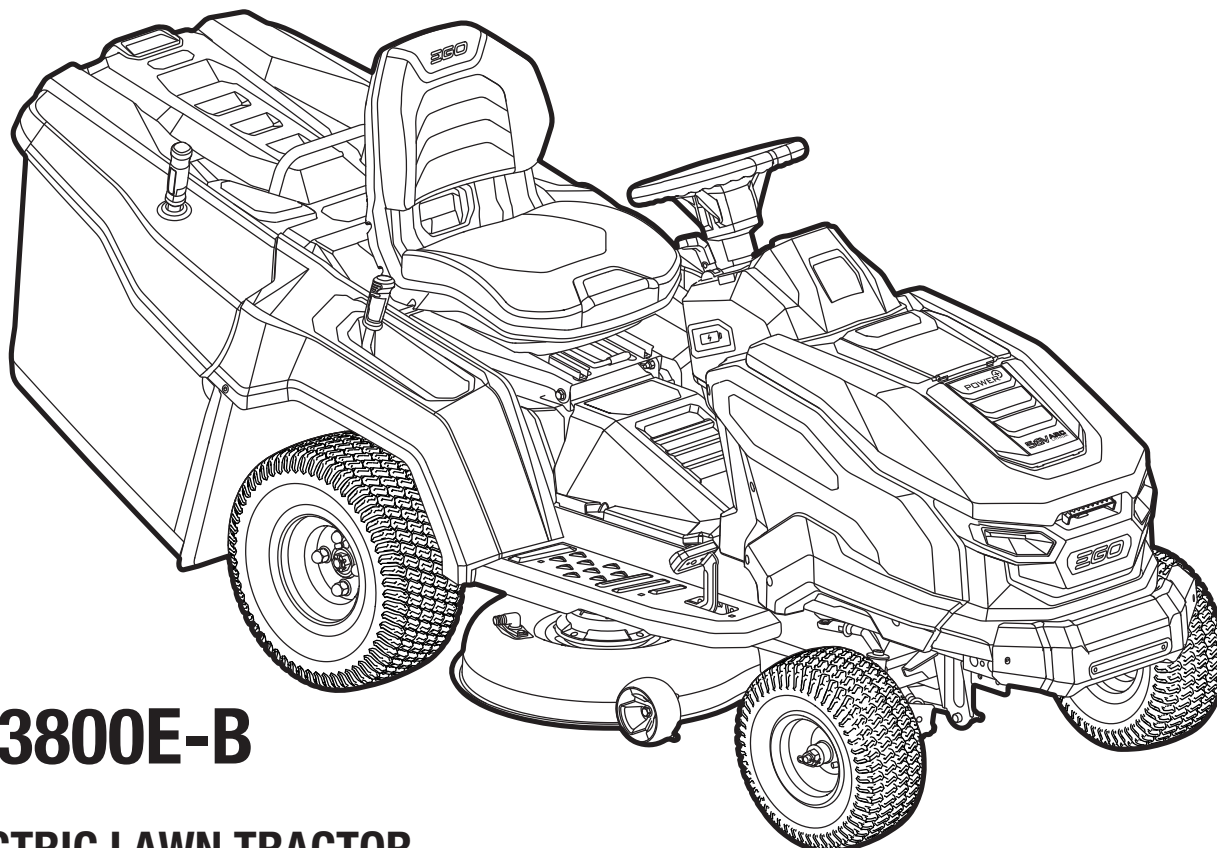


EGO™

POWER+ TRACTOR

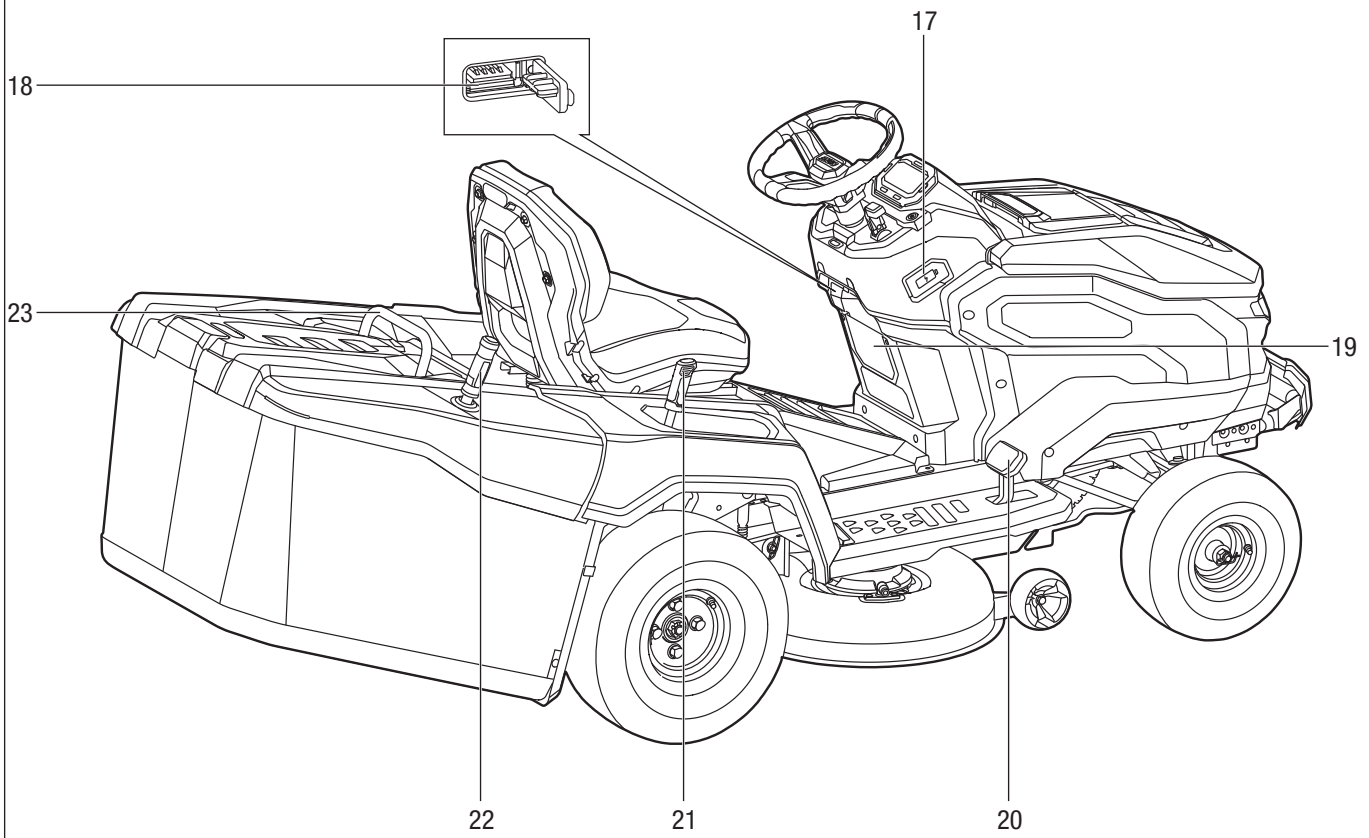
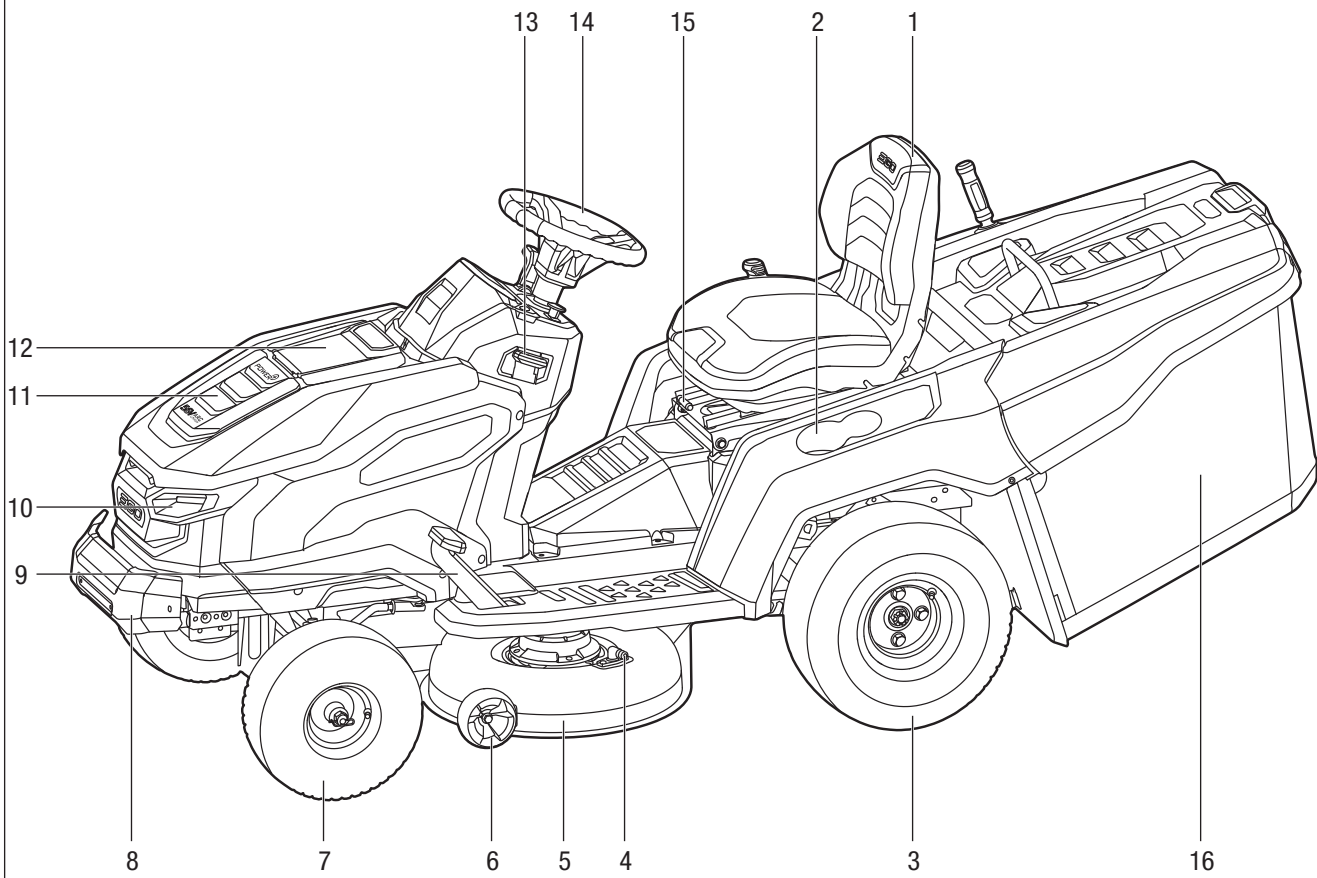


TR3800E-B

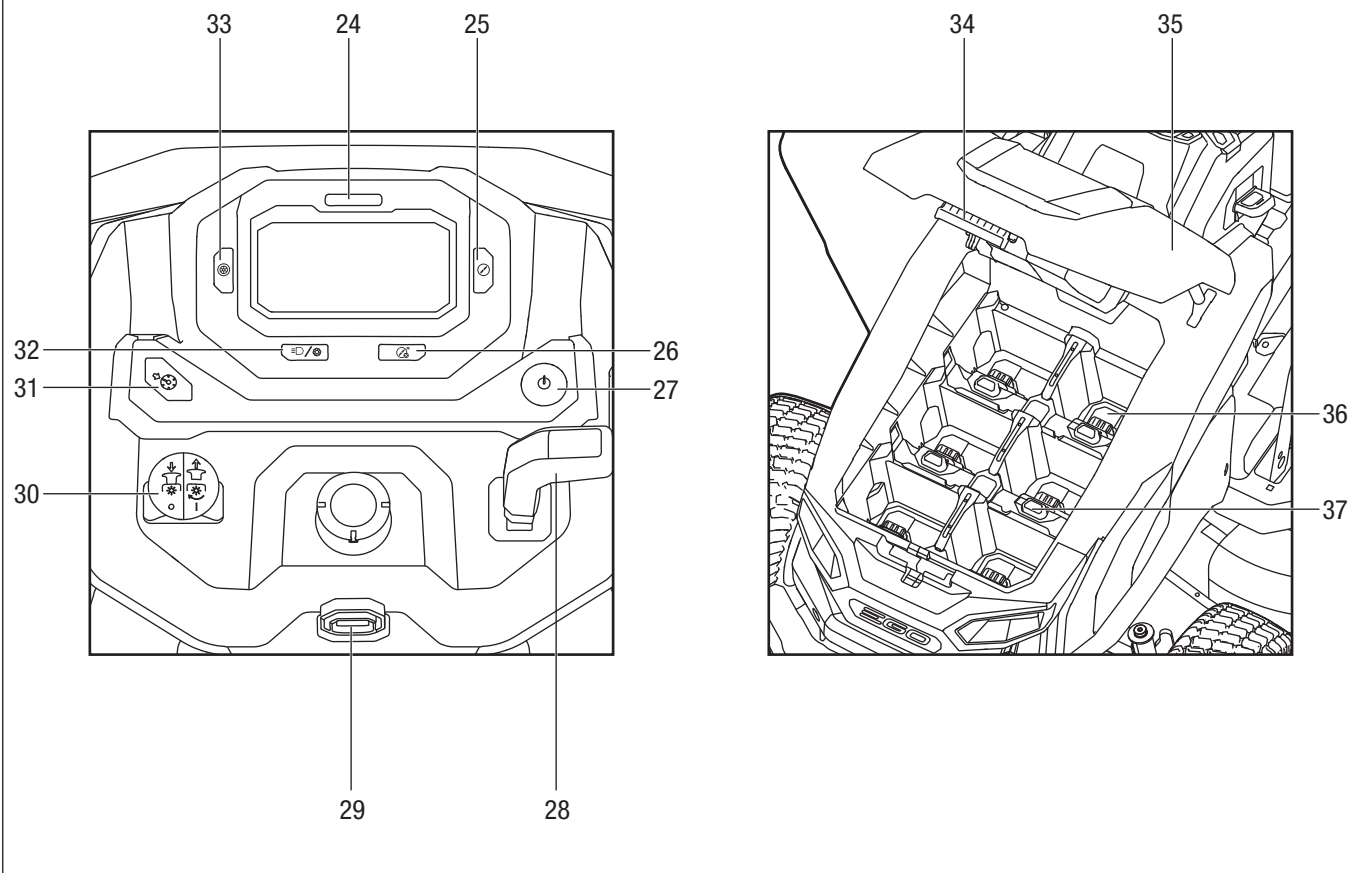
ELECTRIC LAWN TRACTOR

EN	Electric lawn tractor	17	RO	Tractor electric pentru tuns iarbă	299
DE	Elektrischer Rasentraktor	33	SL	Električna traktor kosilnica	317
FR	Tondeuse autoportée électrique	52	LT	Elektrinis vejų traktoriukas	333
ES	Tractor cortacésped eléctrico	71	LV	Elektriskais zāles pļaušanas traktors	351
PT	Trator corta-relva elétrico	90	GR	Ηλεκτρικό χλοοκοπτικό τρακτέρ	369
IT	Trattore tosaerba elettrico	109	TR	Elektrikli çim biçme traktörü	388
NL	Elektrische zitmaaier	127	ET	Elektriline murutraktor	405
DK	Elektrisk havetraktor	145	UK	Електричний газонний трактор	421
SE	Elektrisk gräsklippartraktor	161	BG	Електрическа тракторна косачка	440
FI	Sähkökäyttöinen ruohotraktori	177	HR	Traktorska kosilica s okretom u mjestu	460
NO	Elektrisk plenstraktor	194	KA	გაზონის ელექტრო ტრაქტორი	478
RU	Электрический садовый трактор	212	SR	Električni traktor za travnjak	502
PL	Elektryczna kosiarka-tractorek	231	BS	Električna traktorska kosilica	519
CZ	Elektrický traktor na trávu	250	HE	טרקטור דשא חשמלי	571
SK	Elektrický trávnikový traktor	266	AR	جرار العشب الكهربائي	555
HU	Elektromos fűnyíró traktor	283			

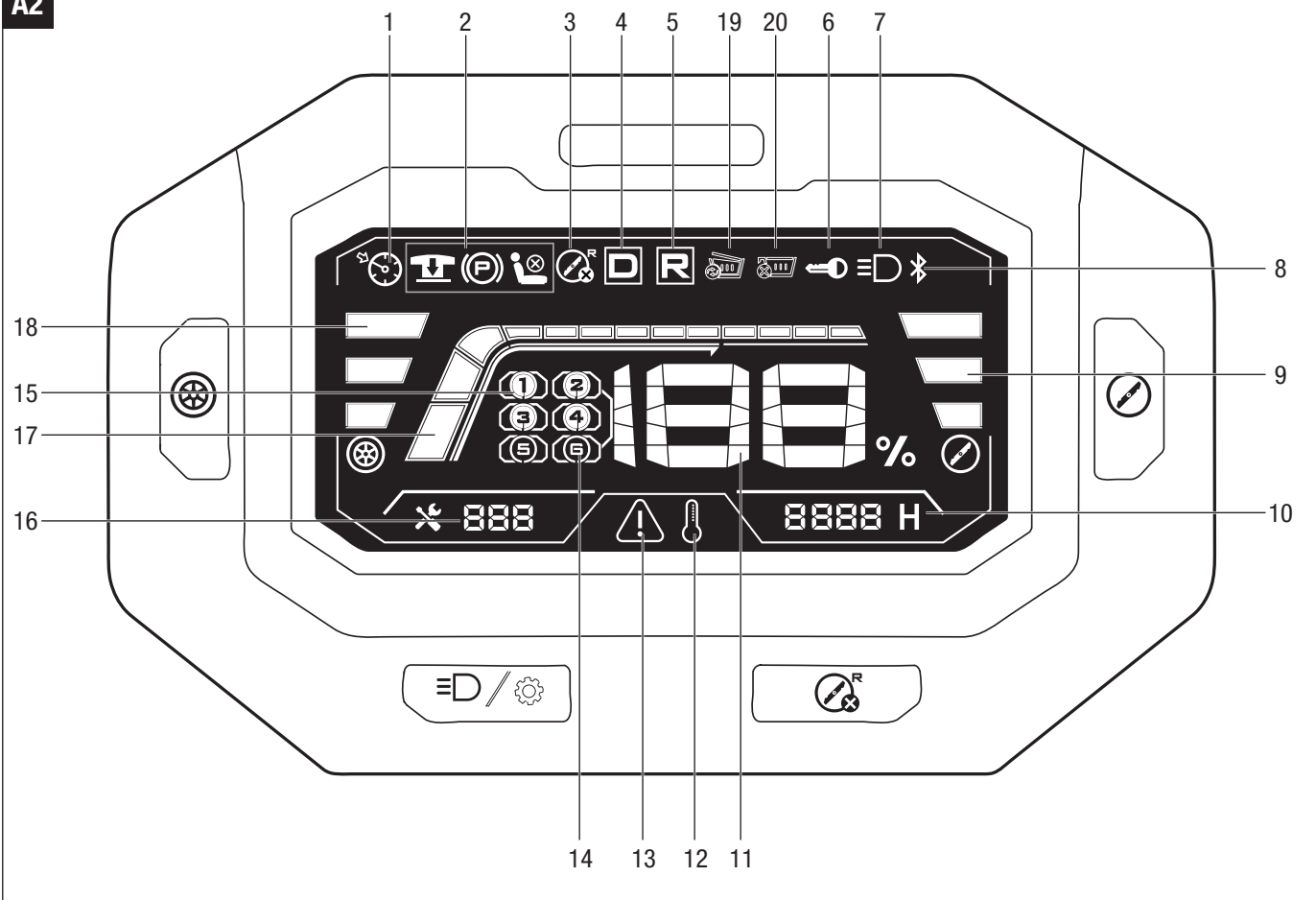
A1



A1

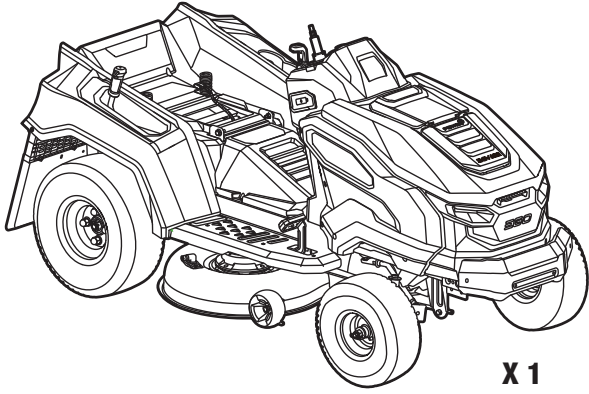


A2



B

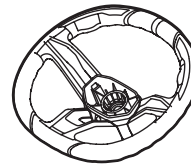
B-1



B-2



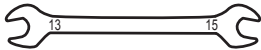
B-3



B-4



B-5



B-6



B-7



B-8



B-9



B-10



B-11



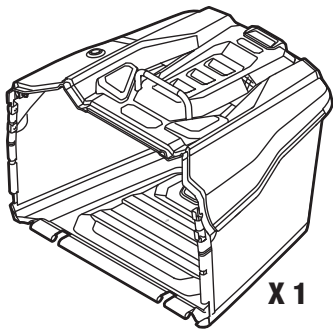
B-12



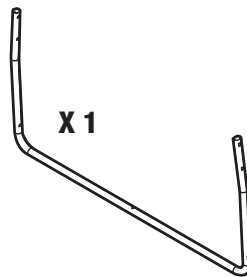
B-13



B-14



B-15



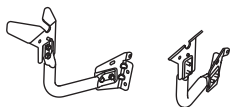
B-16



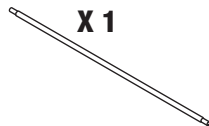
B-17



B-18



B-19



B-20

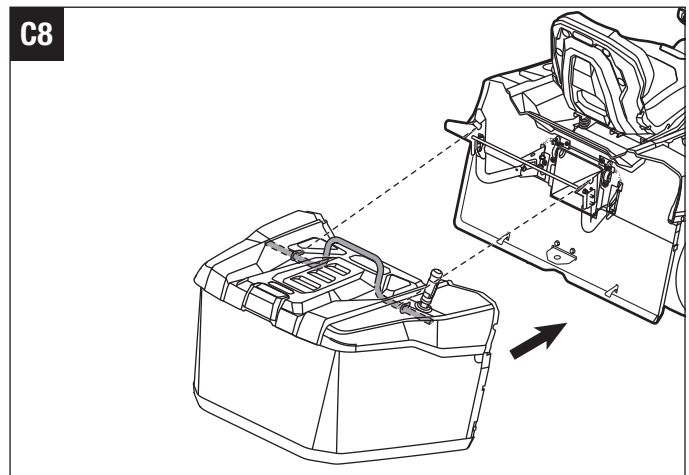
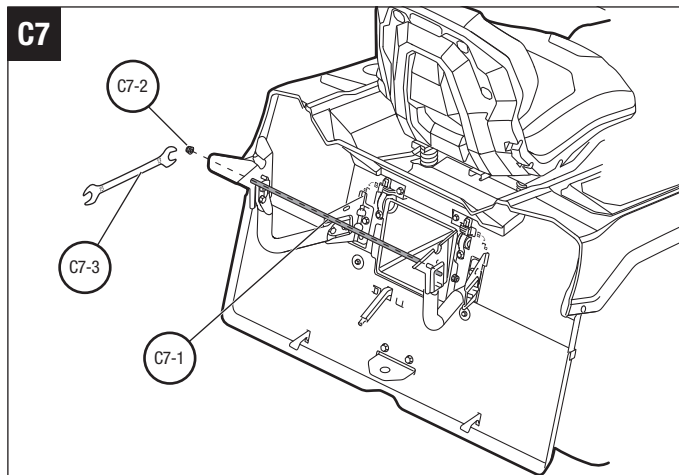
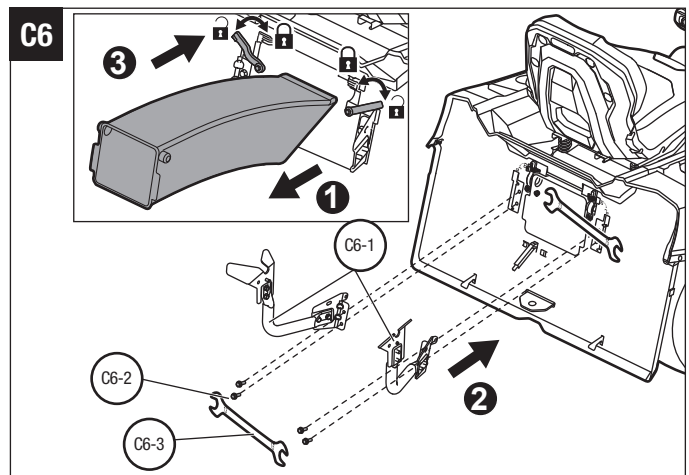
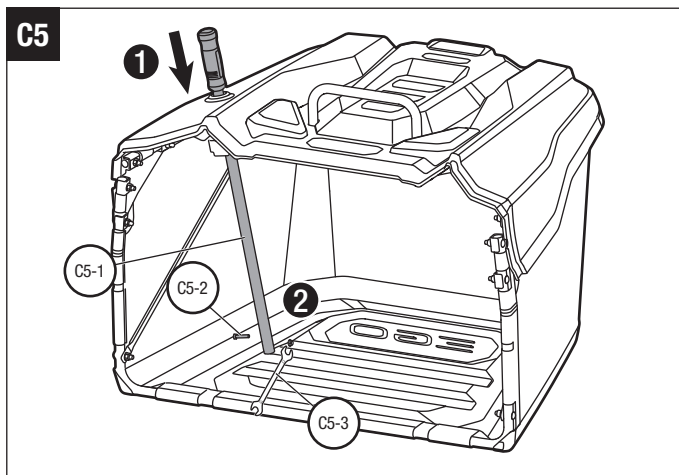
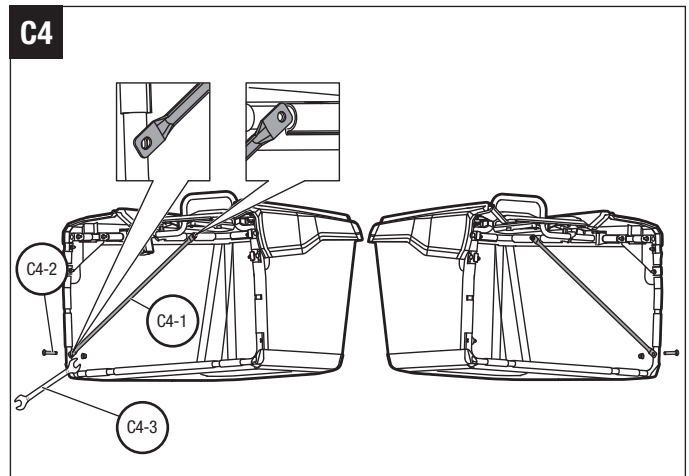
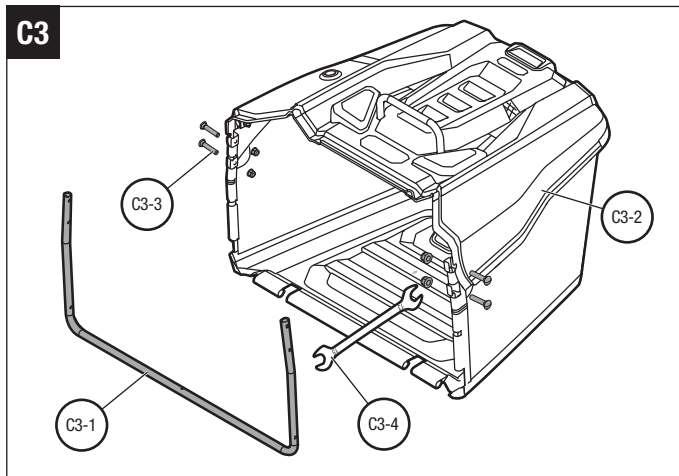
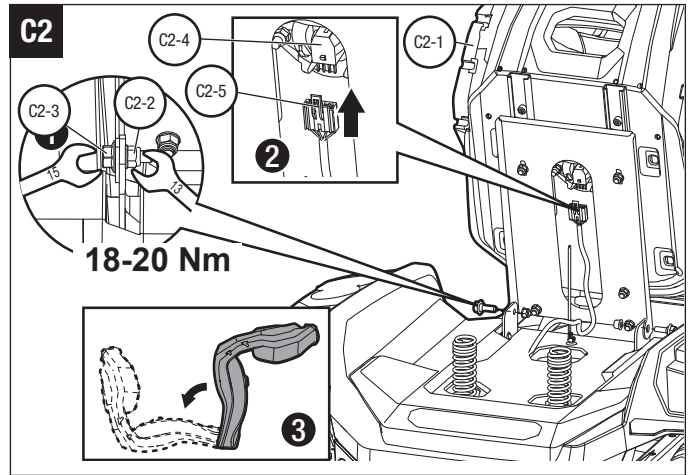
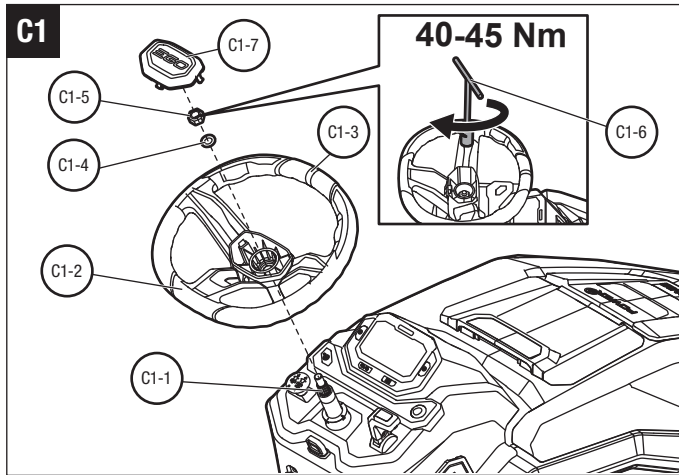


B-21

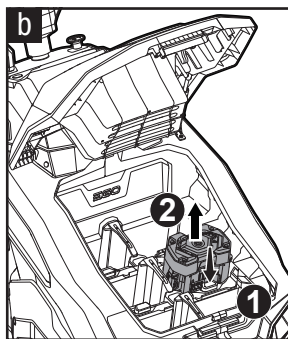
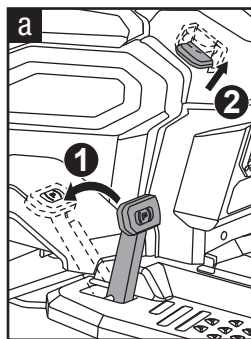
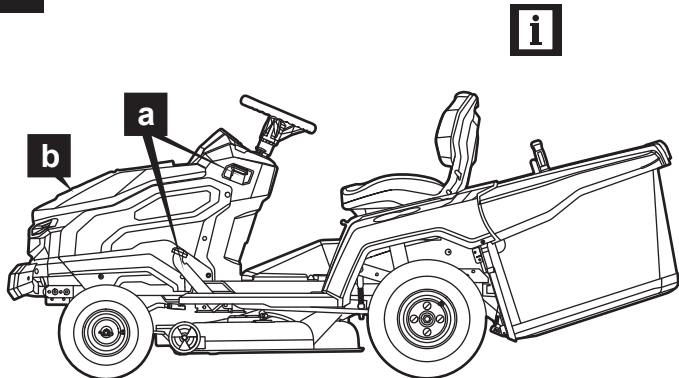


B-22

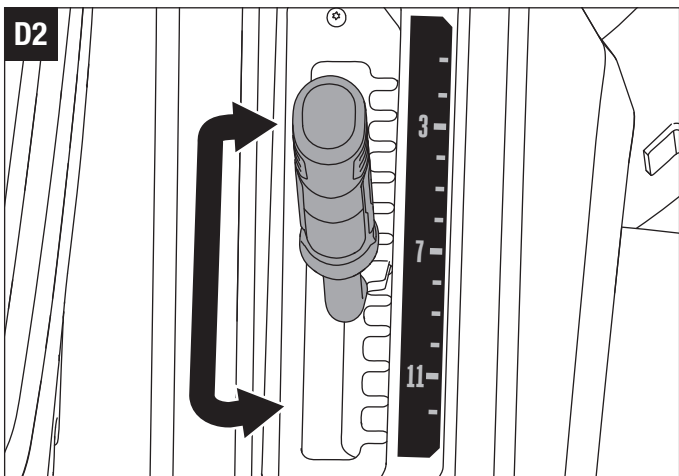




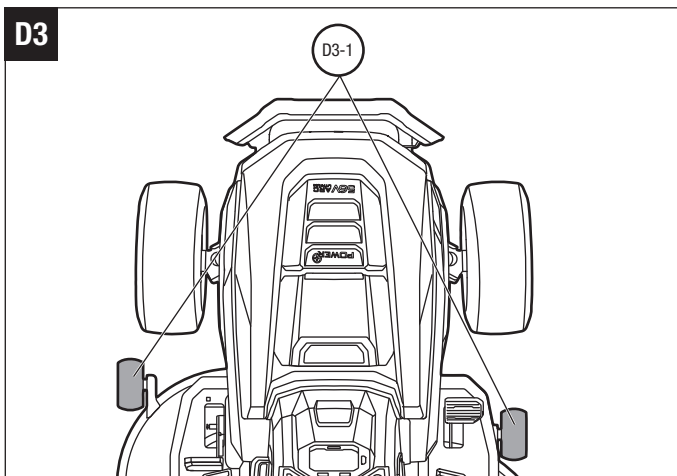
D1



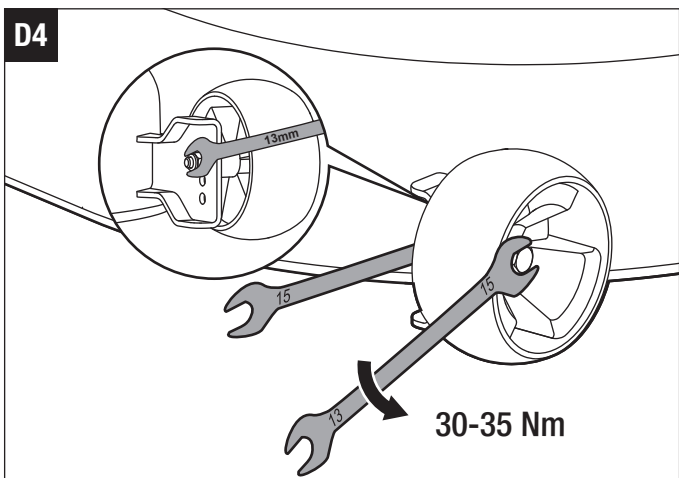
D2



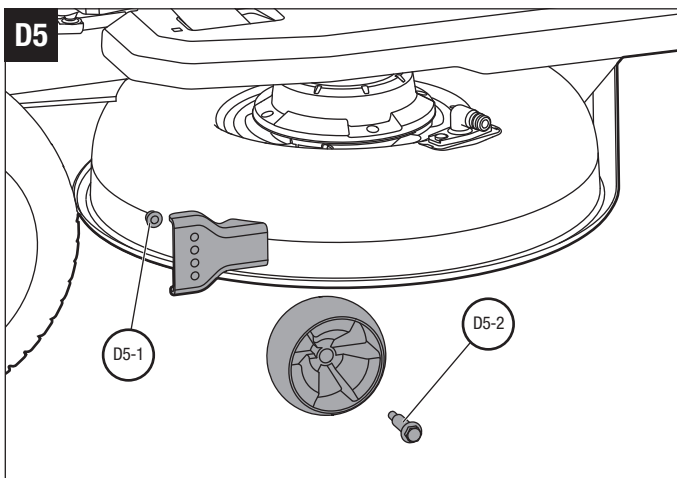
D3



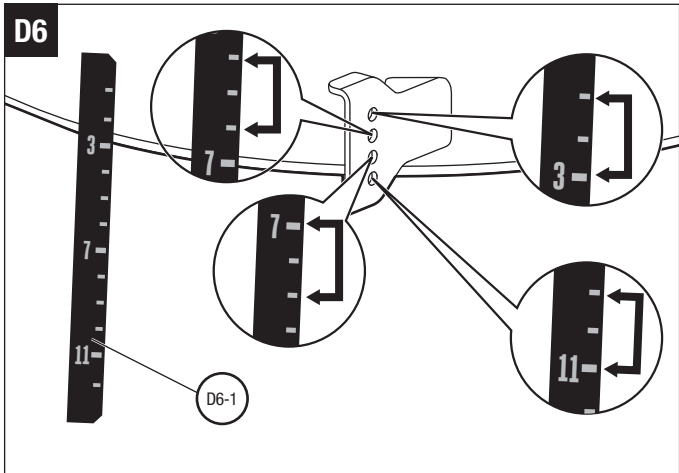
D4



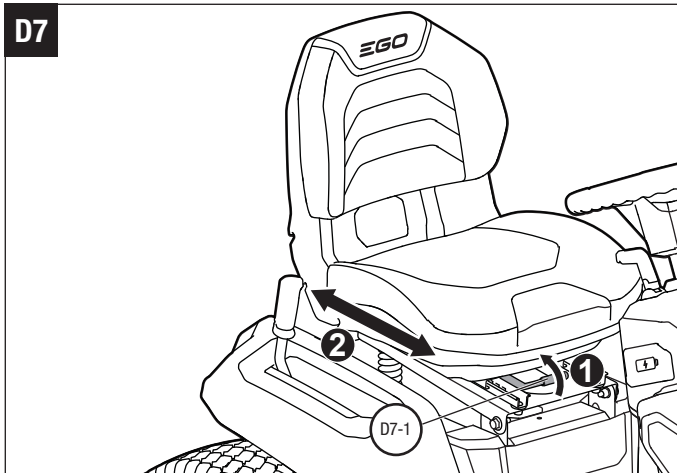
D5



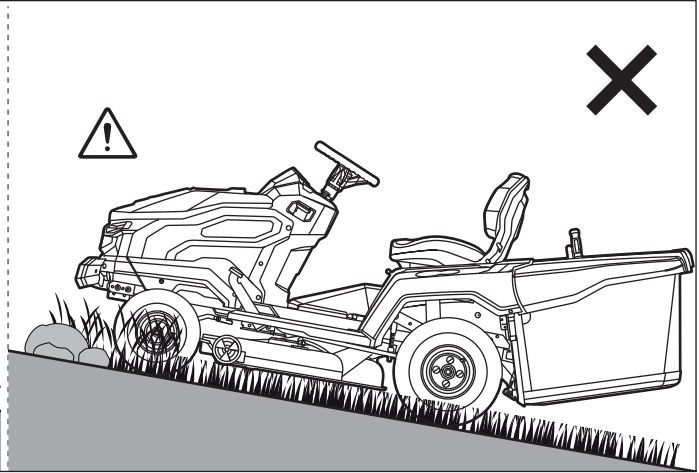
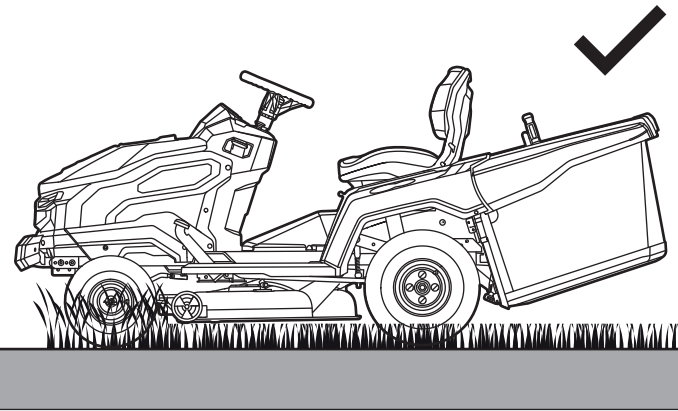
D6



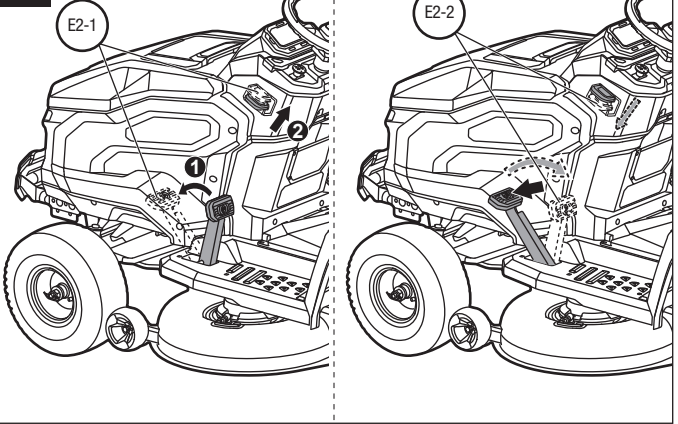
D7



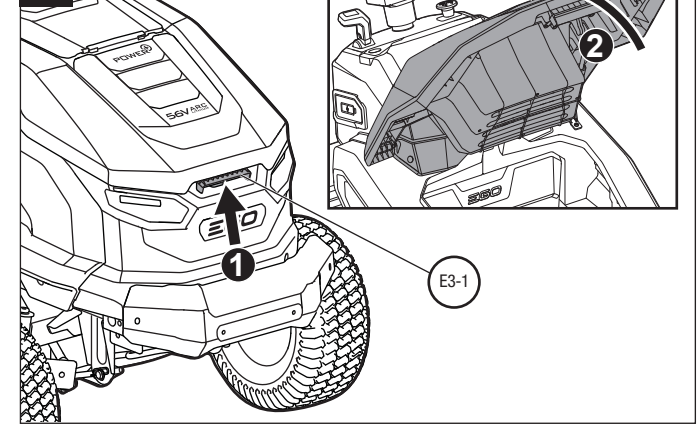
E1



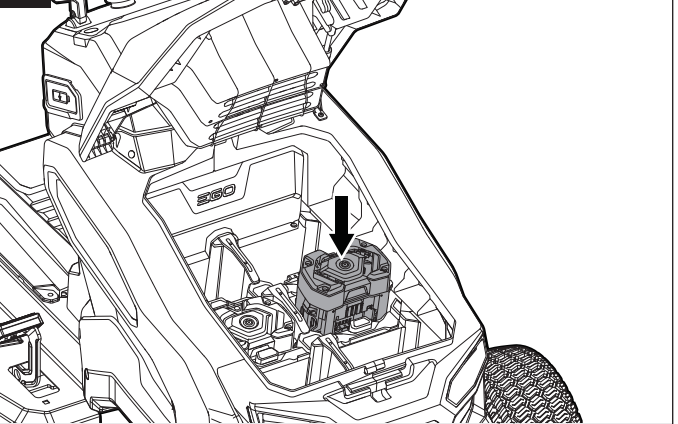
E2



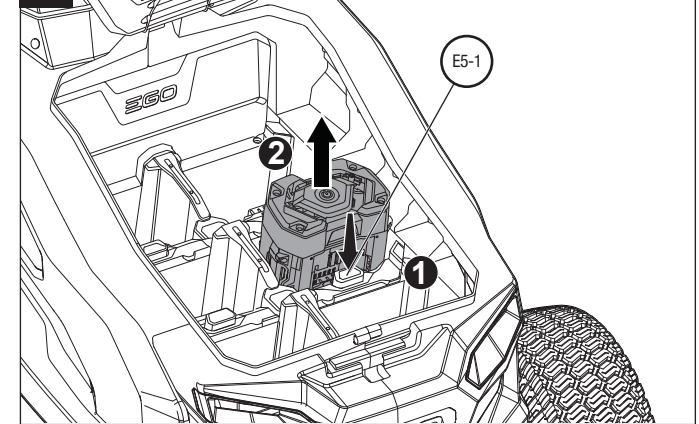
E3



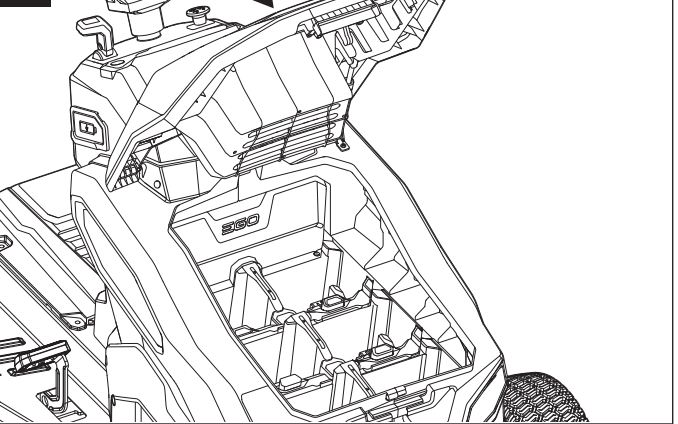
E4



E5



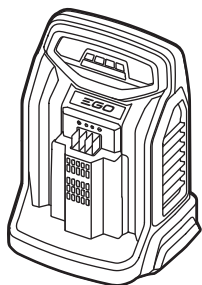
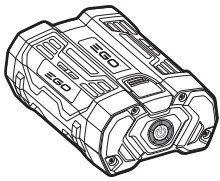
E6



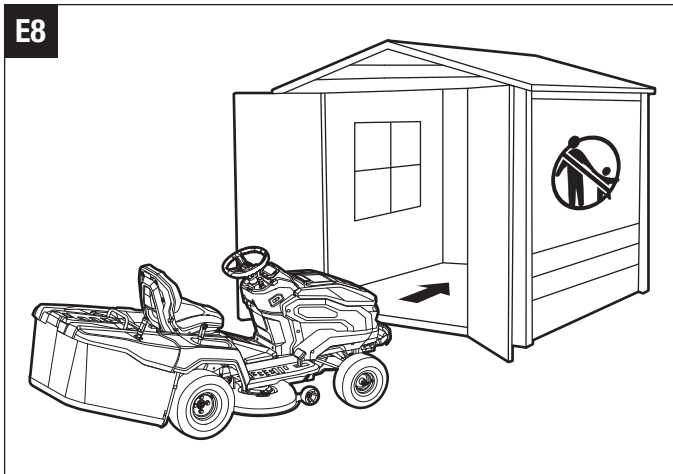
E7

BA1400, BA2800,
BA4200, BA1400T,
BA2240T, BA2242T,
BA2800T, BA3360T,
BA4200T, BA5600T,
BA6720T

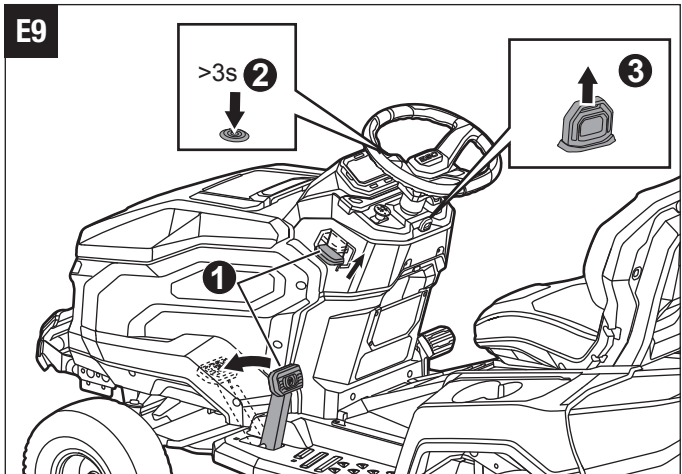
CH5500E, CH2100E,
CH3200E, CH7000E,
CH7000E-T



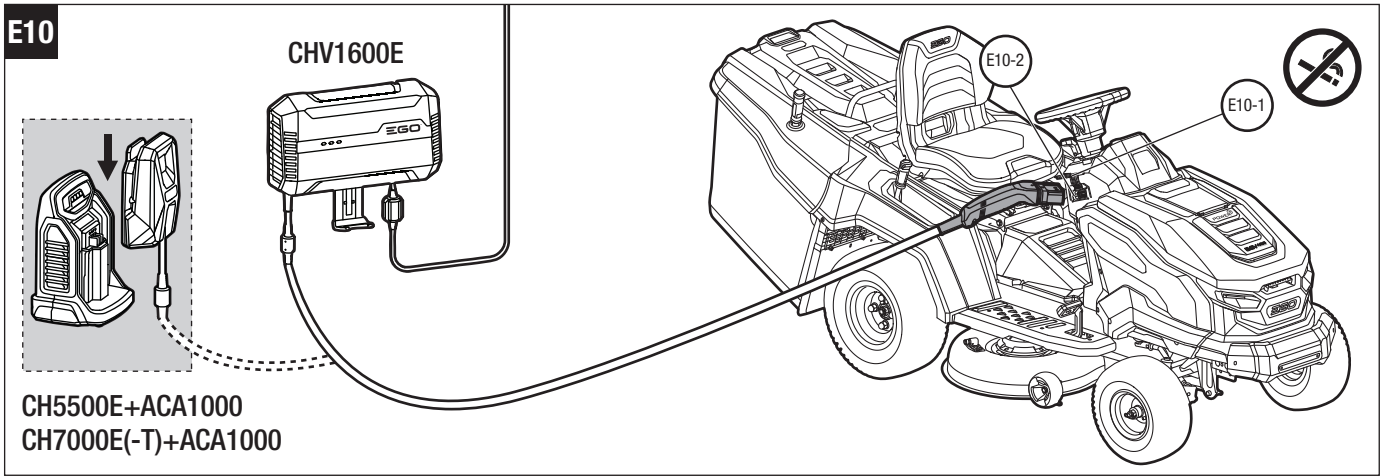
E8



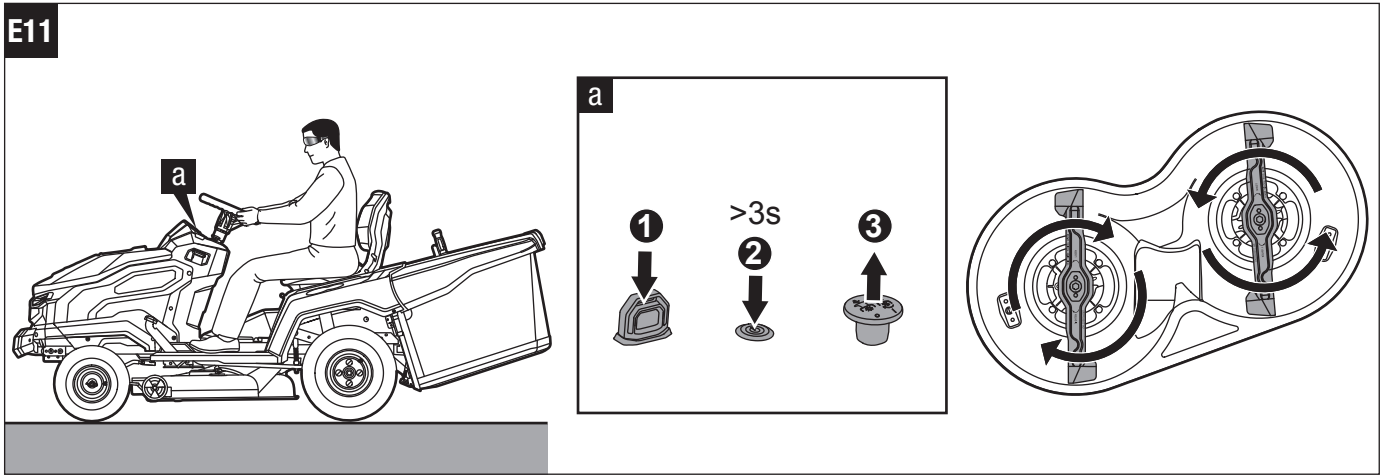
E9



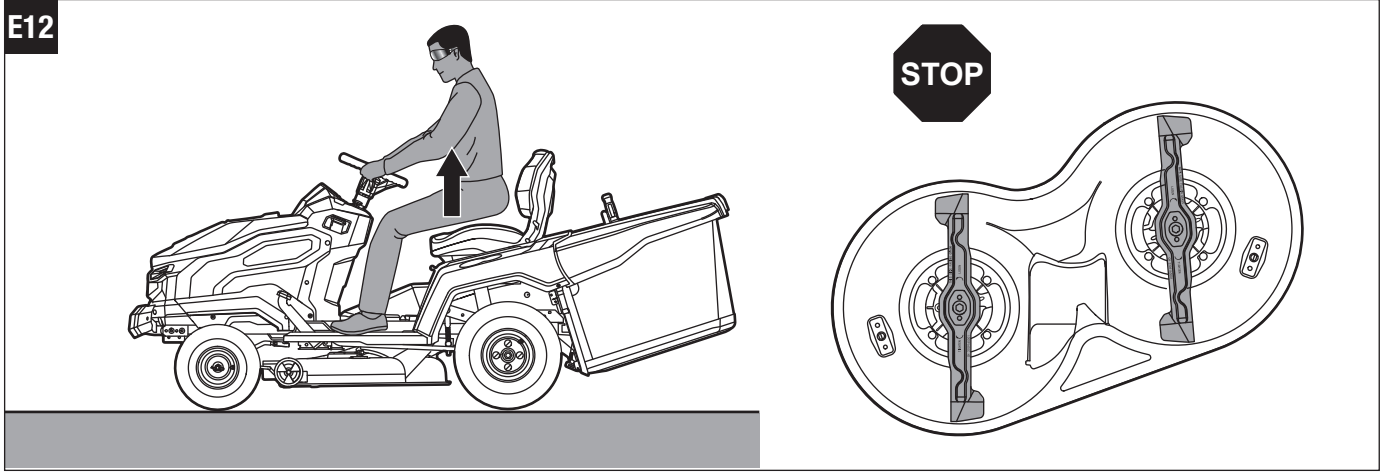
E10



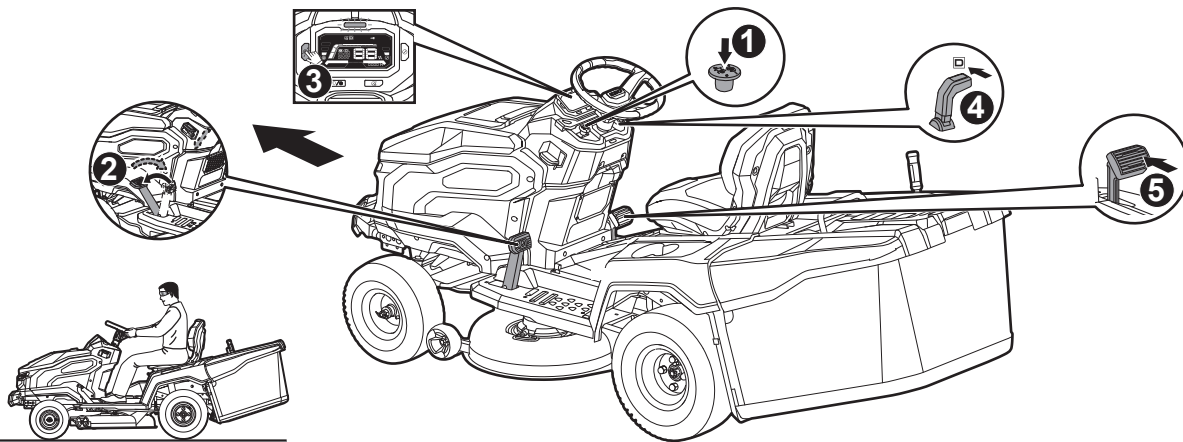
E11



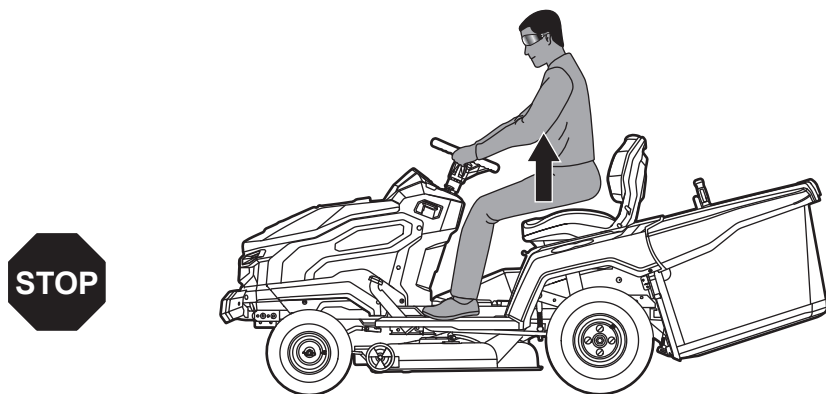
E12



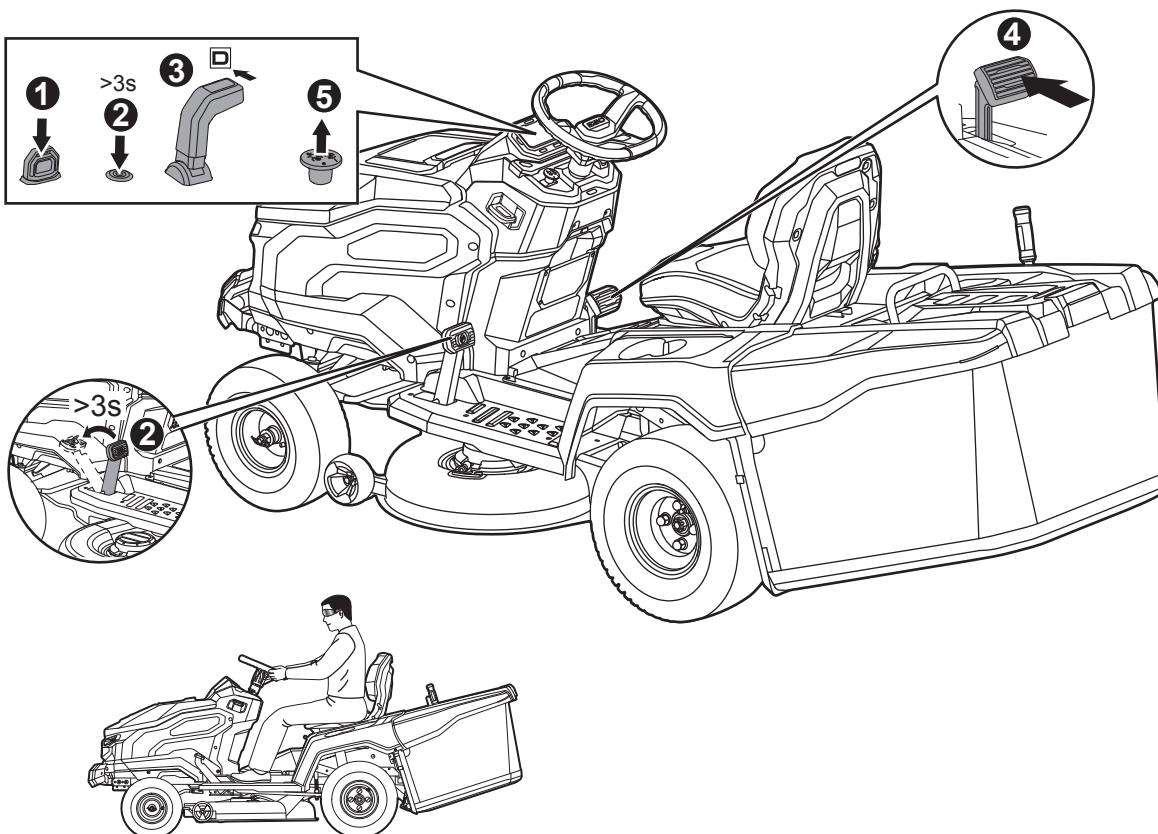
E13



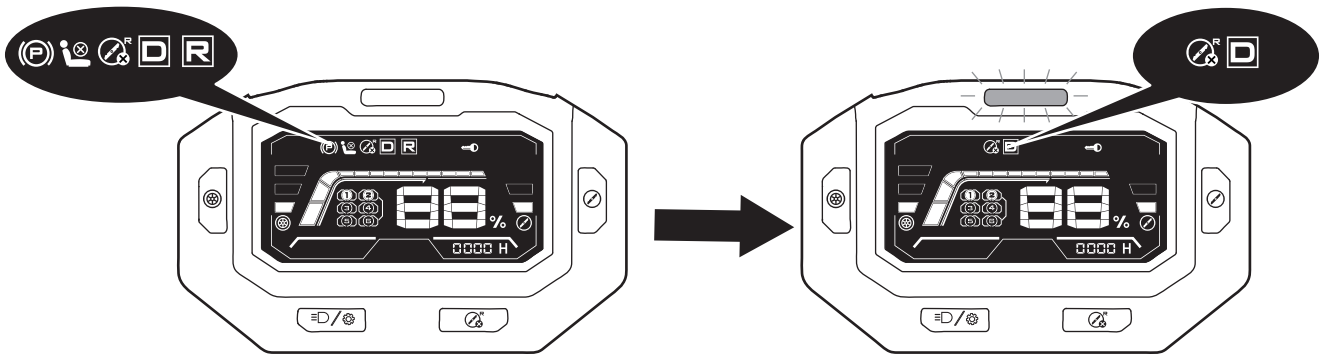
E14



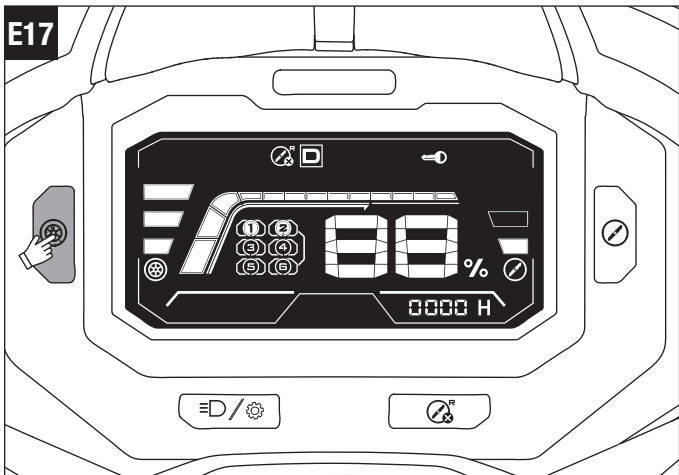
E15



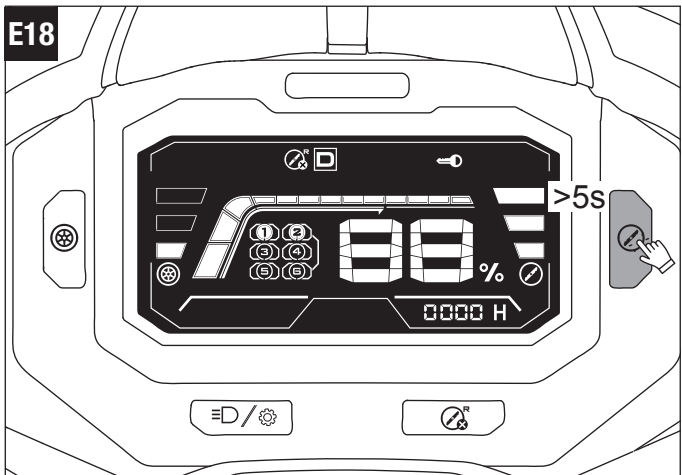
E16



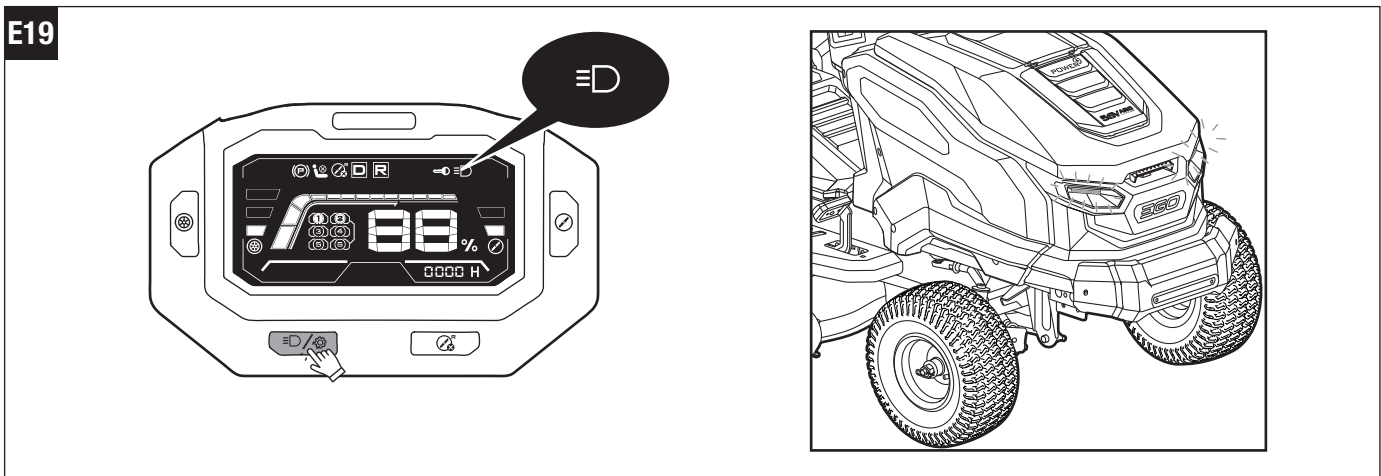
E17



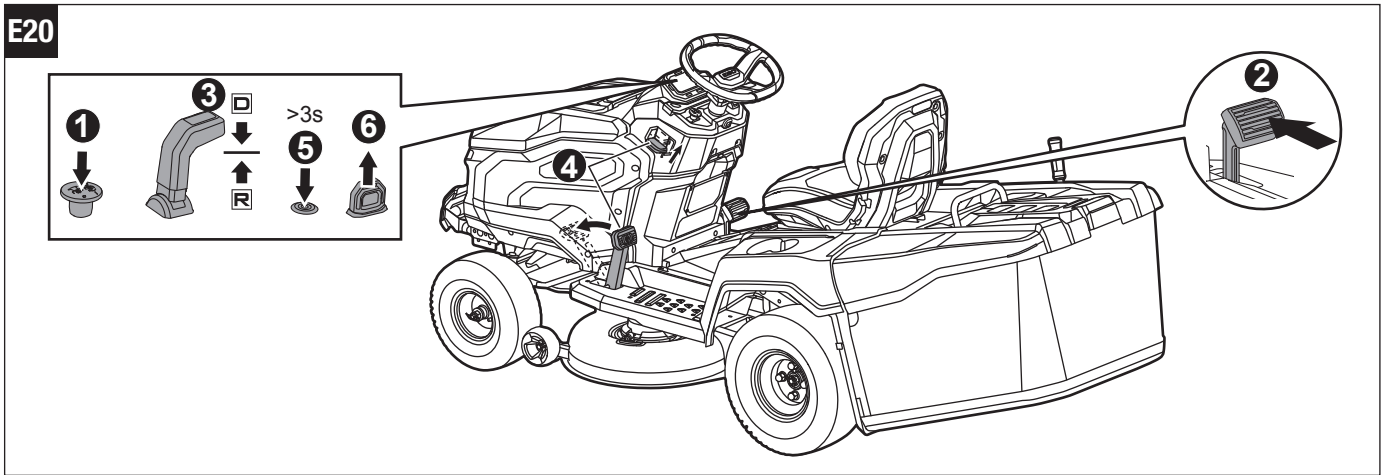
E18



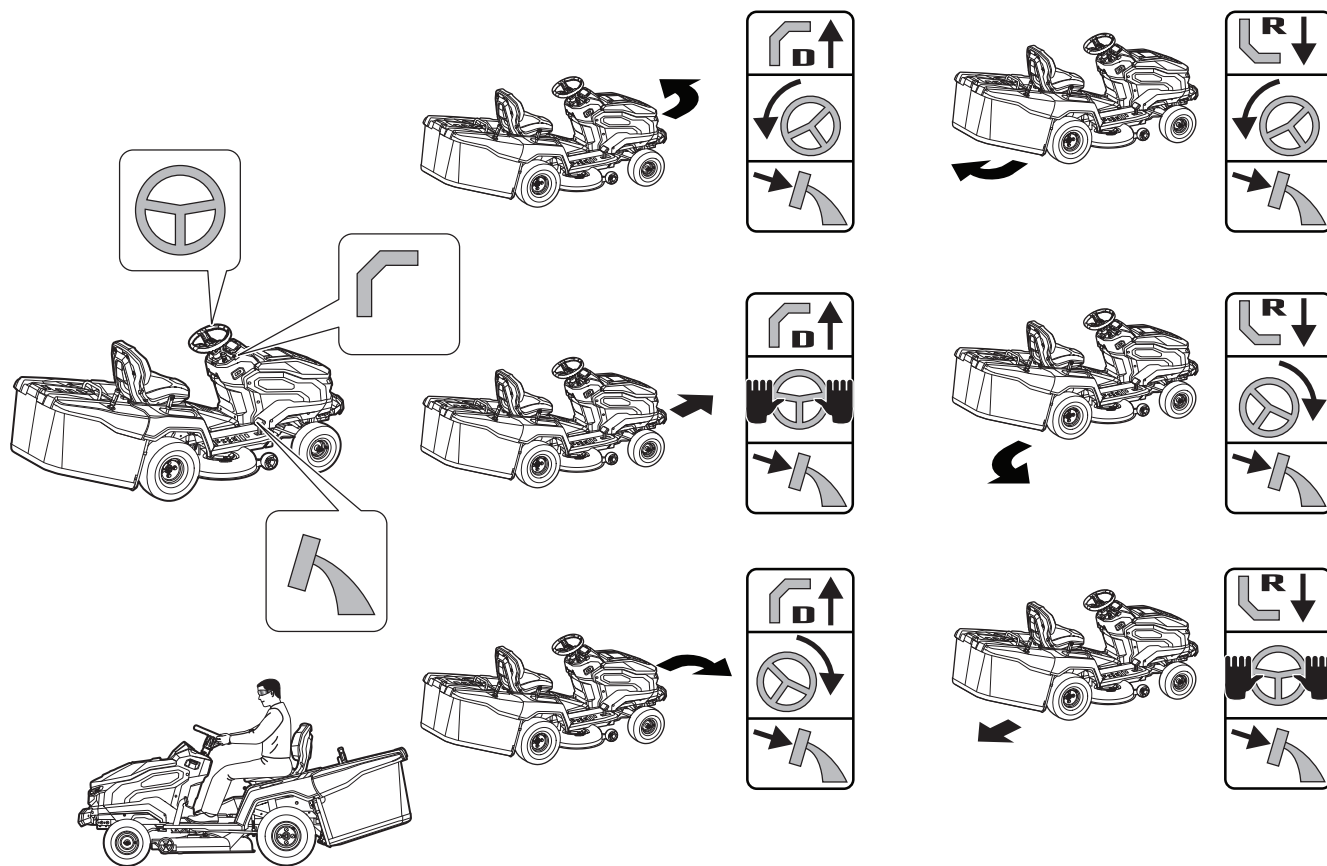
E19



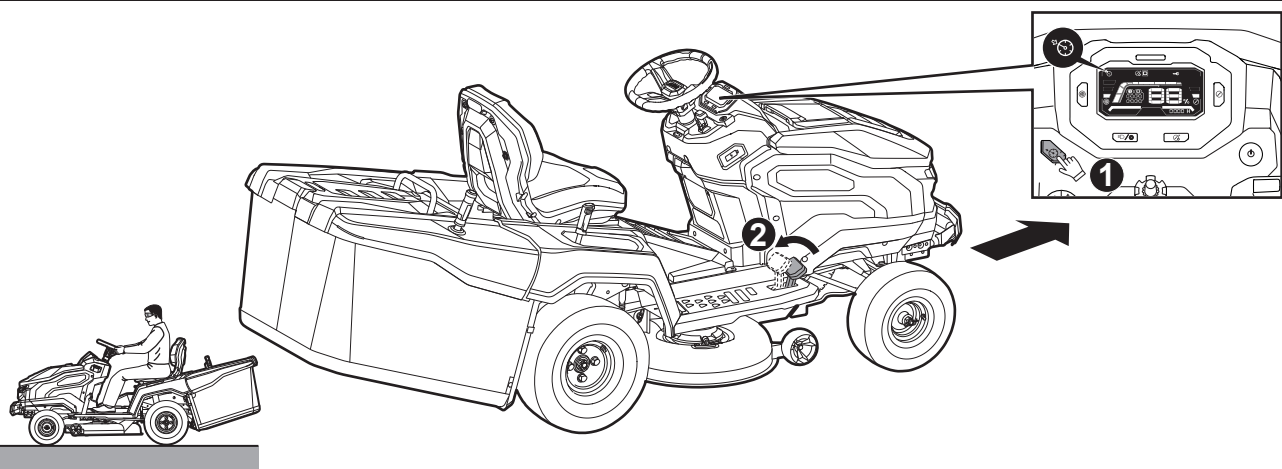
E20



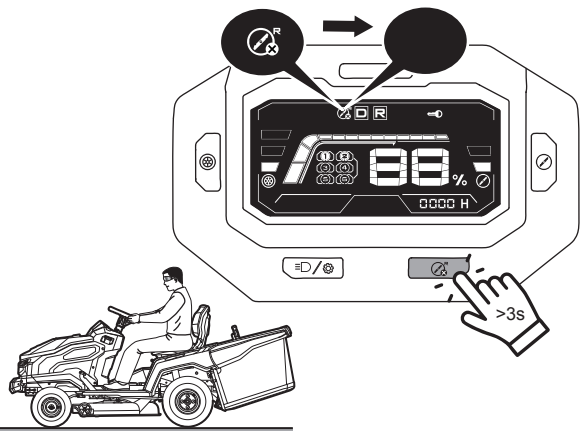
E21



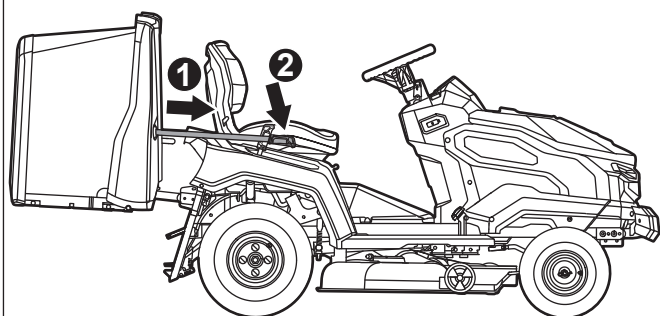
E22



E23

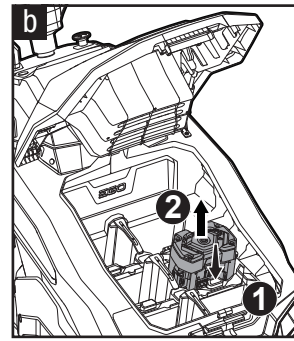
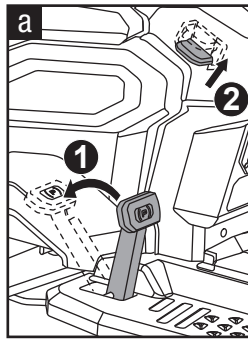
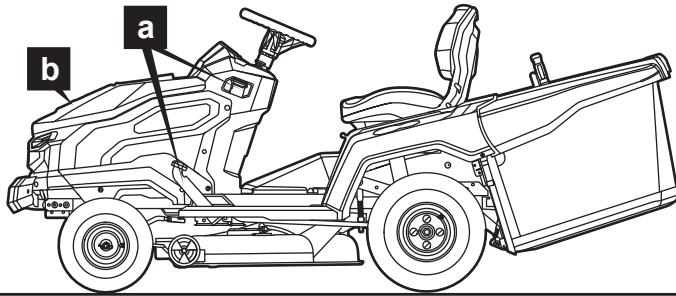


E24

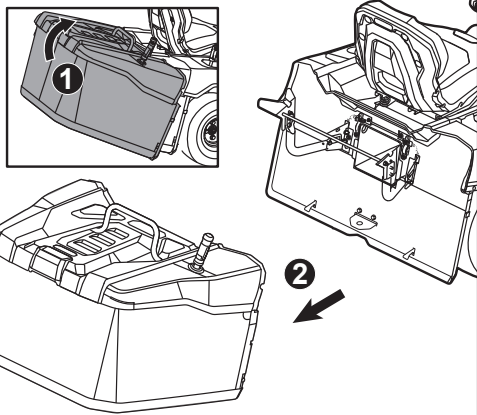


F1

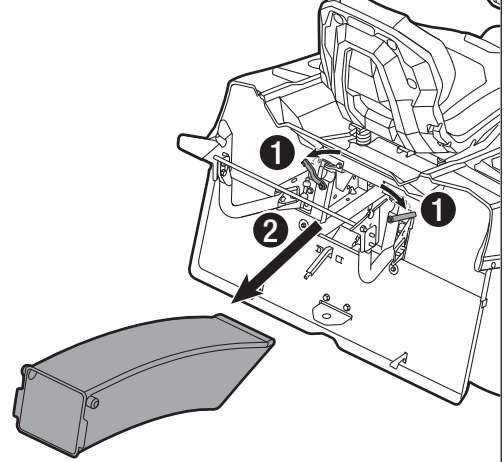
i



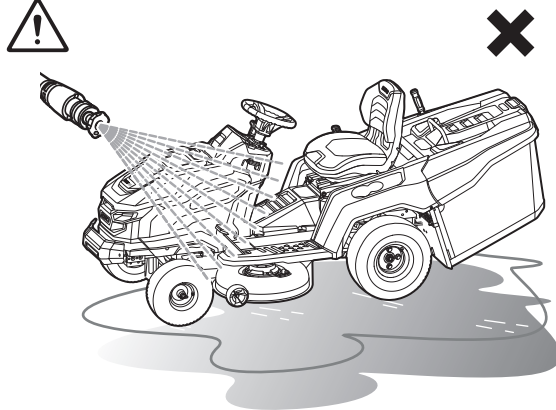
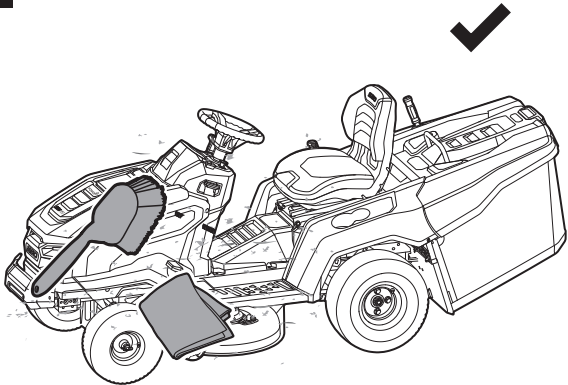
F2



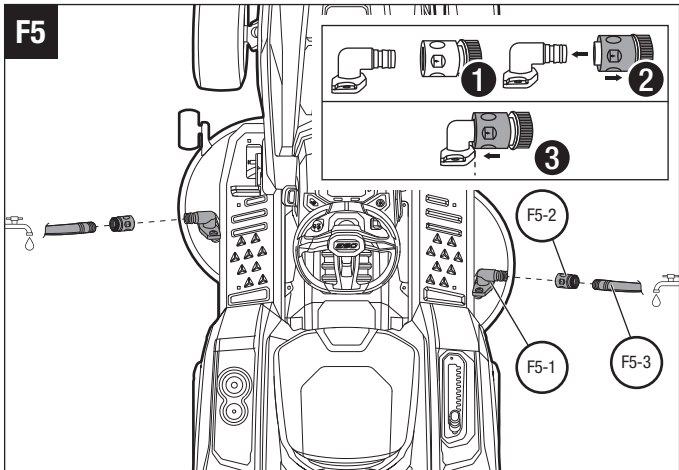
F3



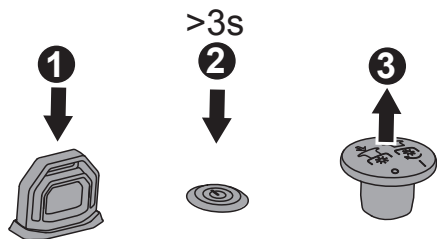
F4



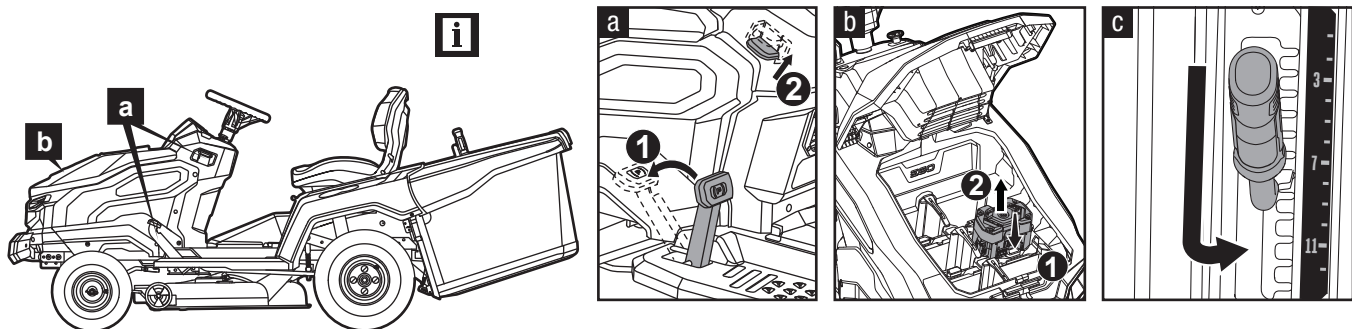
F5



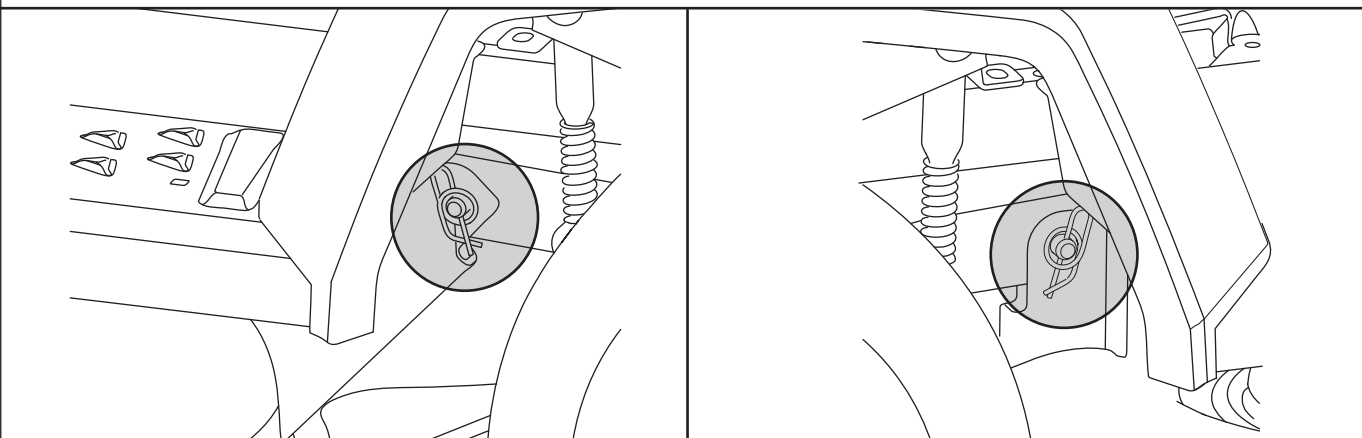
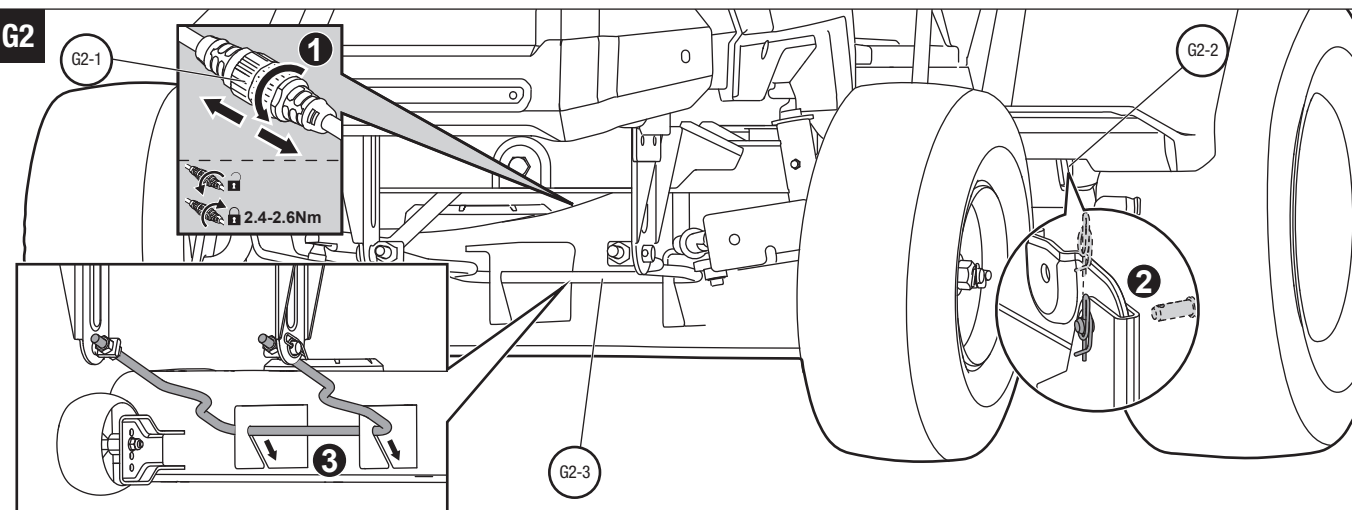
F6



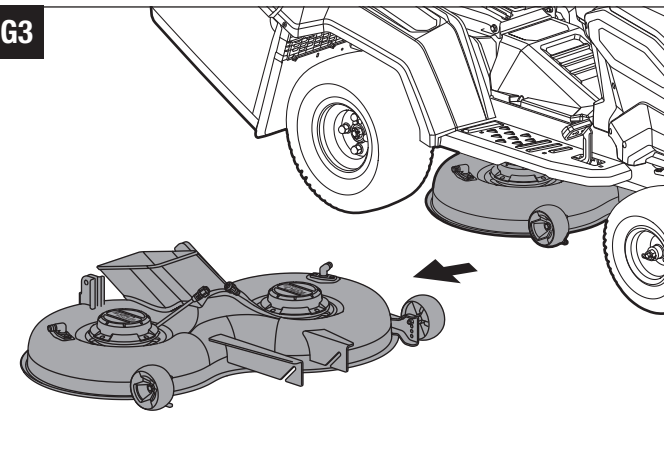
G1



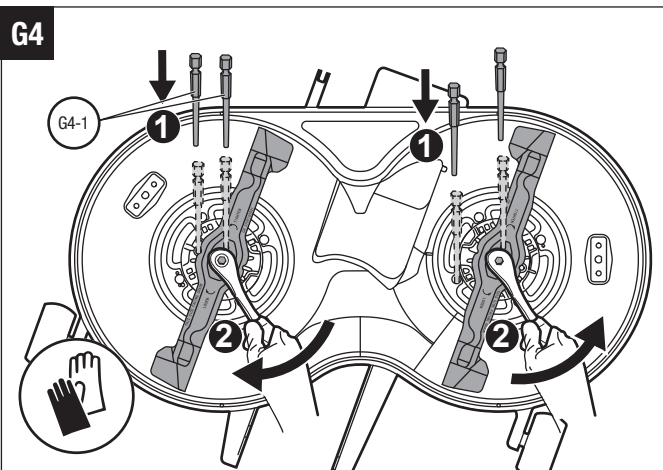
G2



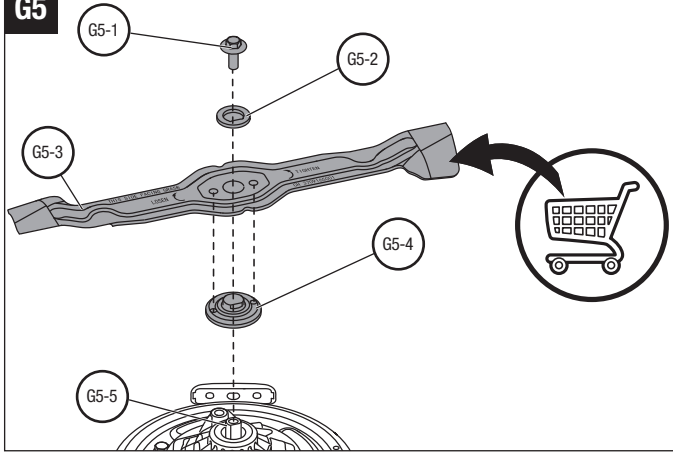
G3



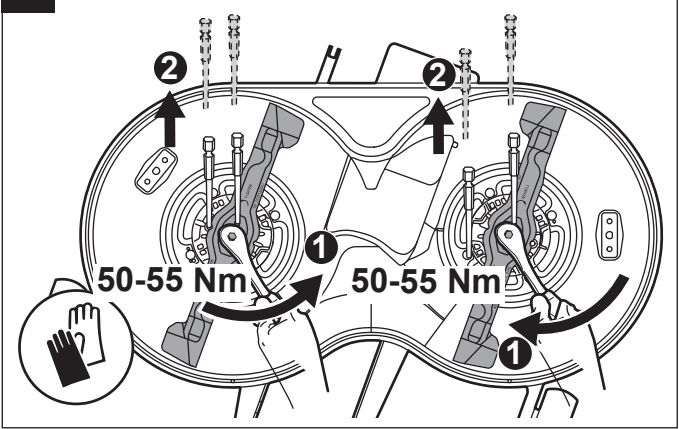
G4



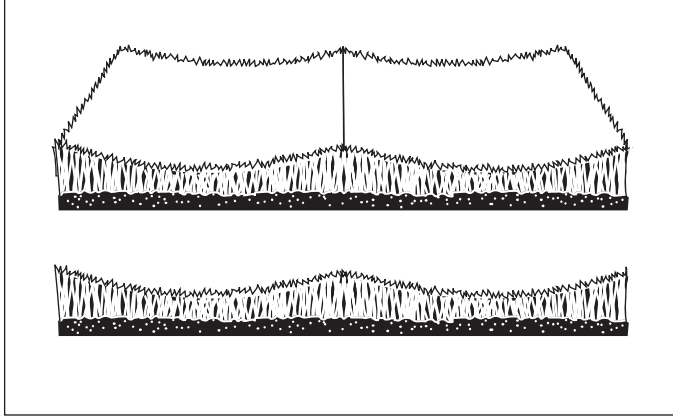
G5



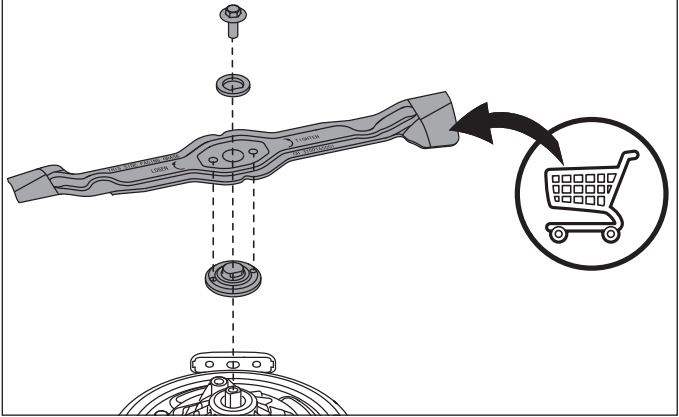
G6



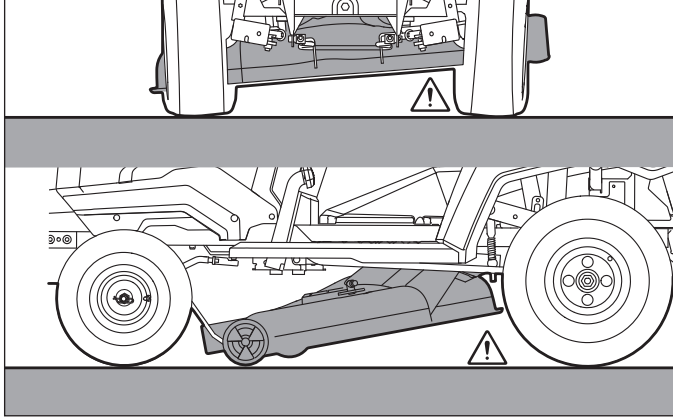
G7



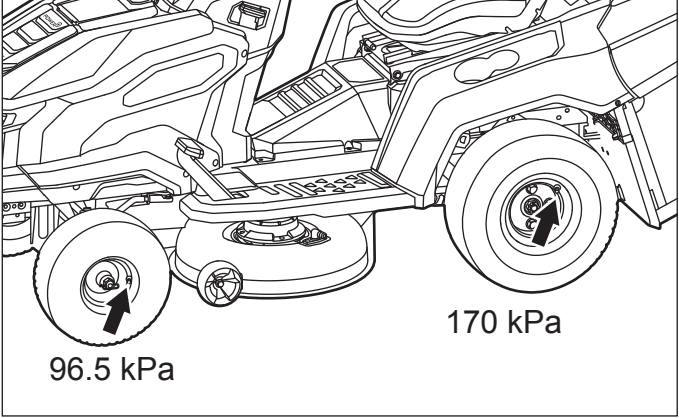
G8



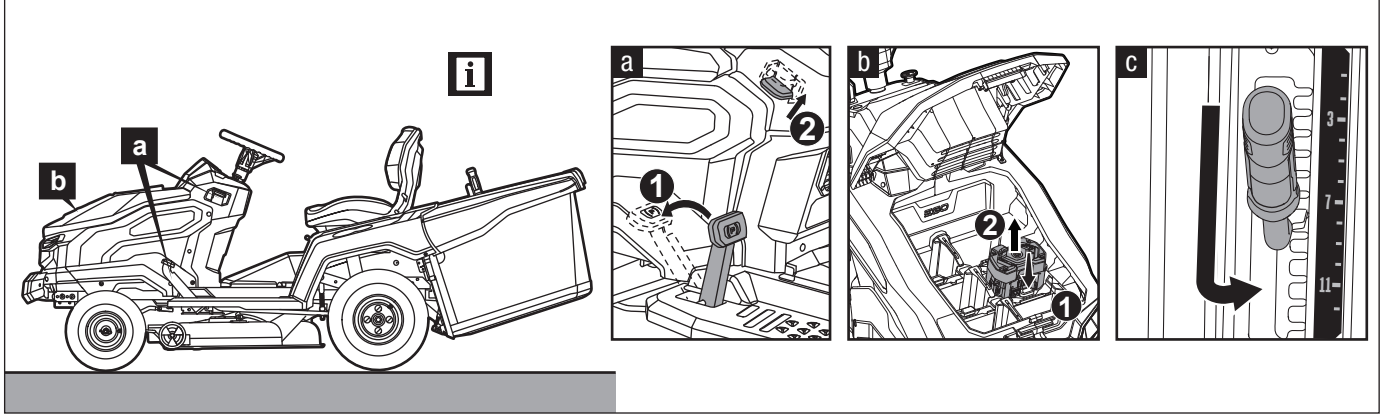
G9



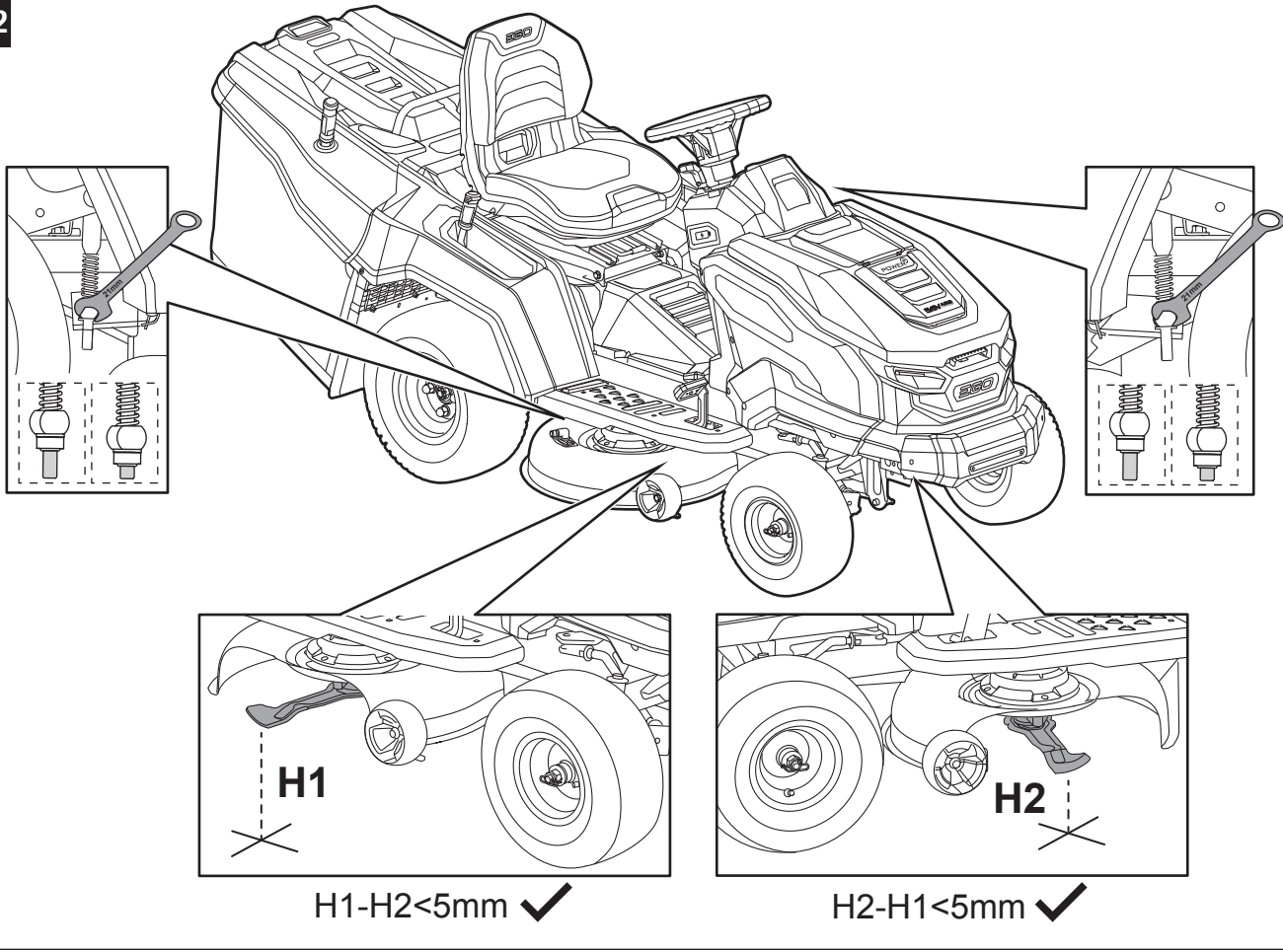
G10



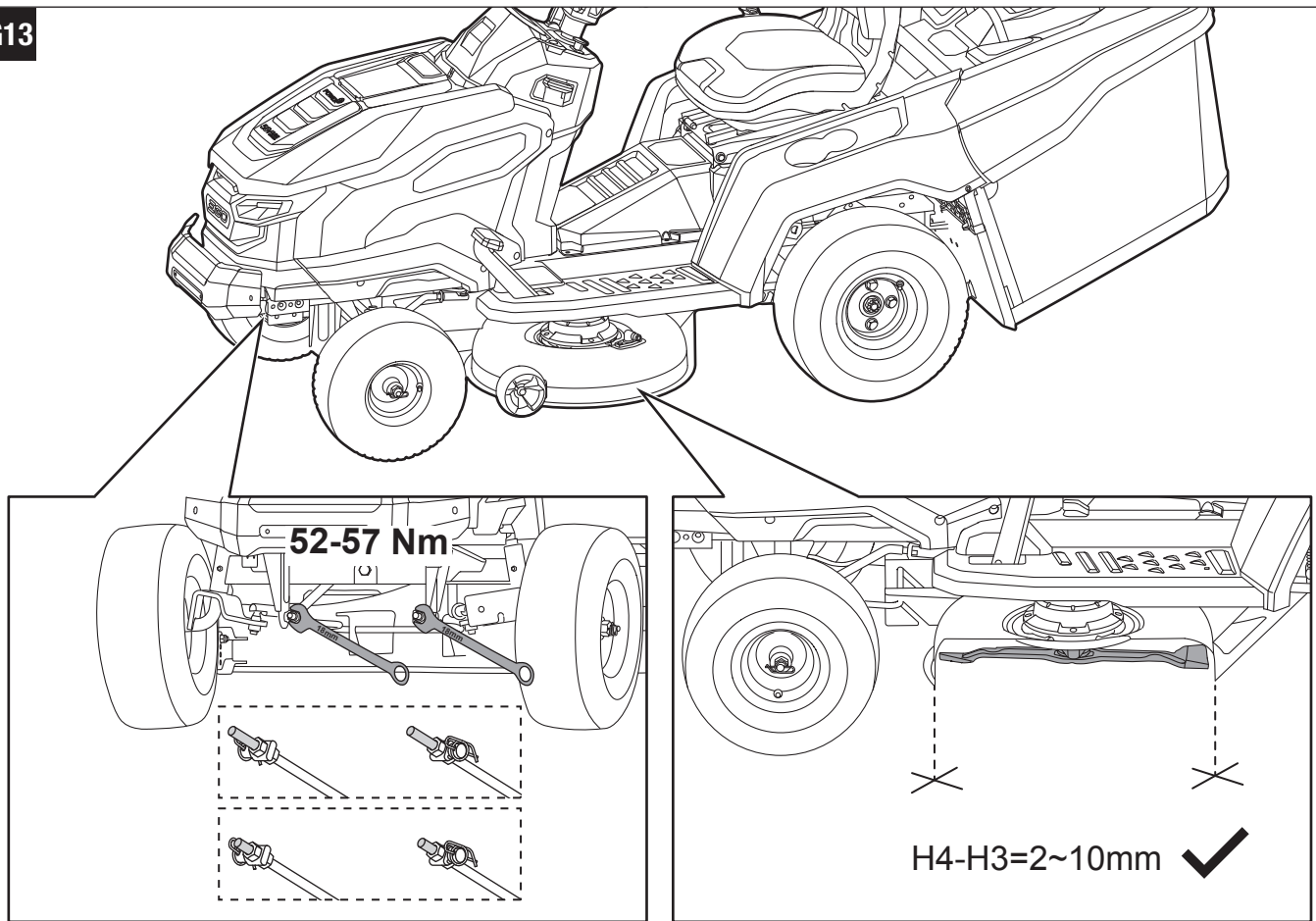
G11



G12

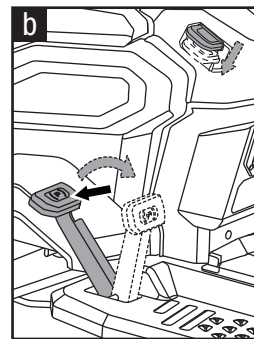
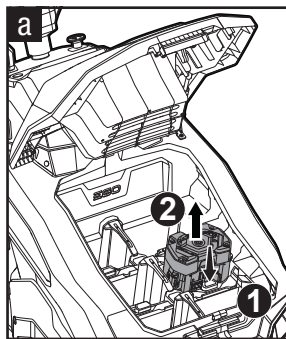
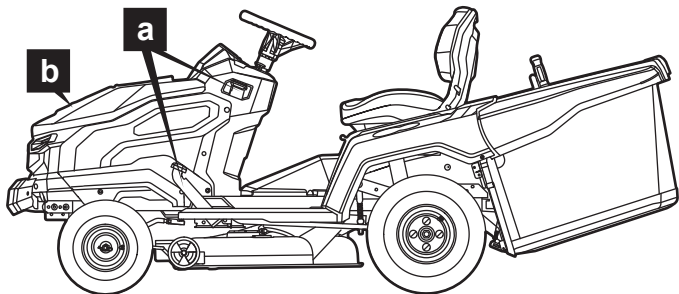


G13

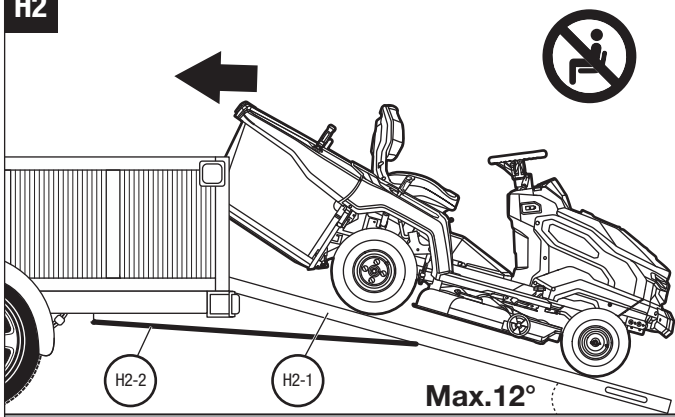


H1

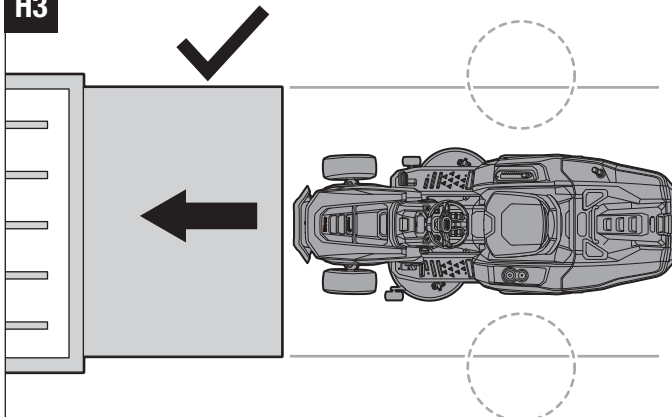
i



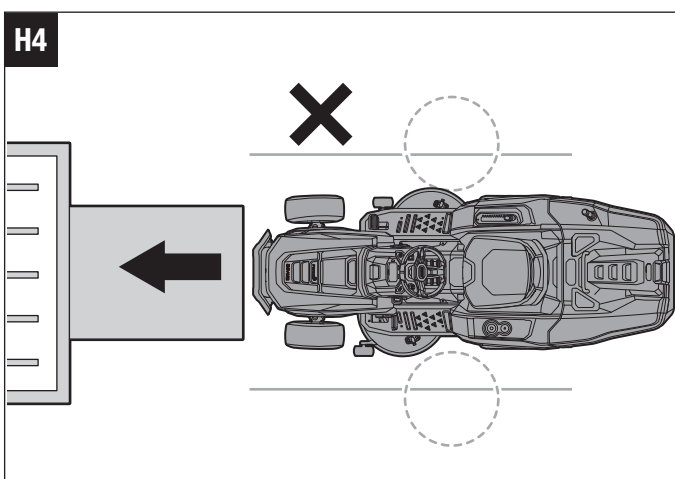
H2



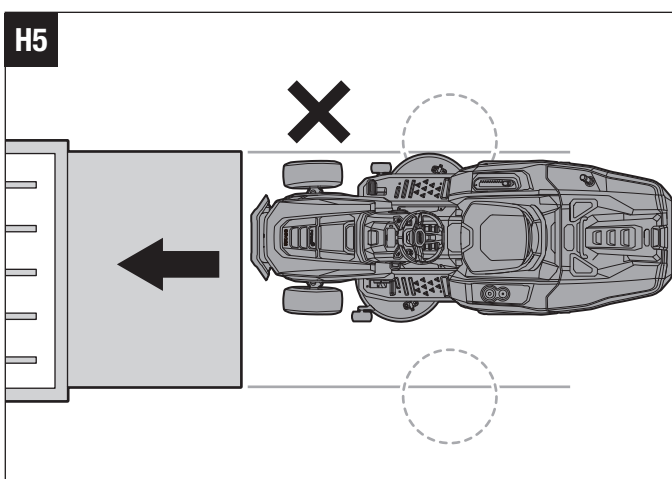
H3



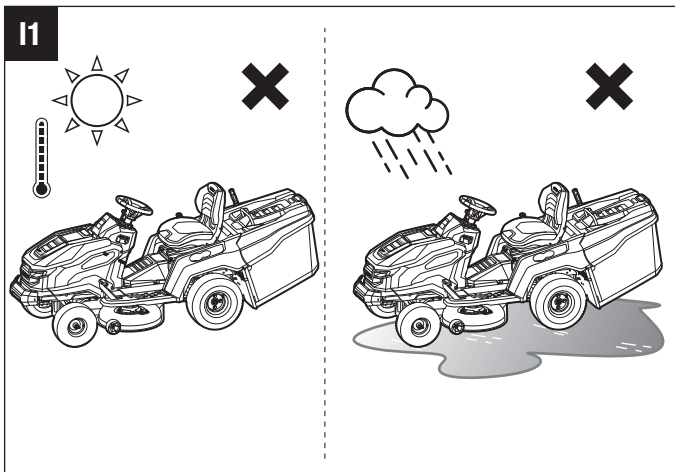
H4



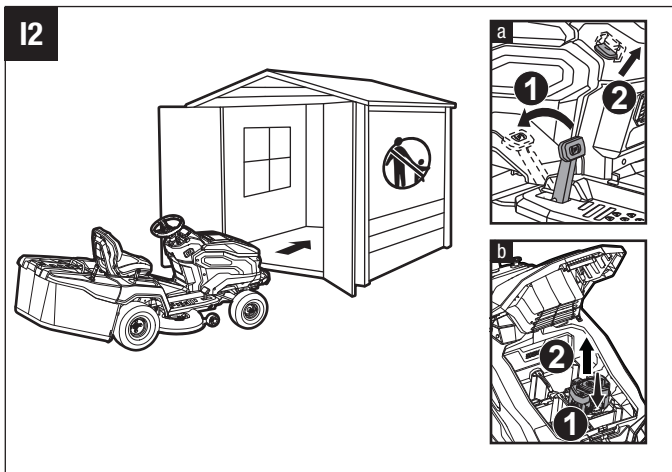
H5



I1



I2



READ ALL INSTRUCTIONS!



READ OPERATOR'S MANUAL

SAFETY SYMBOL

The purpose of safety symbols is to attract your attention to possible dangers. The safety symbols and the explanations with them deserve your careful attention and understanding. The symbol warnings do not, by themselves, eliminate any danger. The instructions and warnings they give are no substitutes for proper accident prevention measures.

⚠ WARNING: Be sure to read and understand all safety instructions in this Operator's Manual, including all safety alert symbols such as "DANGER," "WARNING," and "CAUTION" before using this tool. Failure to follow all instructions listed below may result in electric shock, fire, and/or serious personal injury.

SYMBOL MEANING

This page depicts and describes safety symbols that may appear on this product. Read, understand, and follow all instructions on the machine before attempting to assemble and operate it.

SAFETY SYMBOLS

	Safety Alert		Read & Understand Operator's Manual
	Eye Protection		Maintain Safety Devices
	DANGER – Steep slope hazard		DANGER – Keep Bystanders Away from the Blades
	Never carry children		Look behind while backing
	WARNING - Do not use this machine on slopes greater than 12°		DANGER – Thrown objects
	WARNING – KEEP HANDS AND FEET AWAY		Guaranteed sound power level. According to the European community's Directive.
	Do not step		Waste electrical products should not be disposed of with household waste. Take to an authorized recycler.
	This product is in accordance with applicable EC directives		CAUTION – Do not stare at operating lamp.
	Direct Current		This product is in accordance with applicable UK legislation.

kPa	Kilopascal	RPM	Revolutions per minute
V	Volt	m	Meters
in	Inch	cm	Centimeters
Nm	Newton meter	mm	Millimeters
°C	Celsius	kg	Kilogram
km/h	Kilometers per hour	IPX4	Ingress Protection Degree

SYMBOLS IN THIS MANUAL



The information needs to be noted



The indicated action stops

SPECIFICATIONS

Voltage		56 V
Deck Size		98 cm
Wheel Size	Front	15 x 6 – 6 in
	Rear	18 x 7.5 – 8 in
Cold Tire Pressure	Front	96.5 kPa
	Rear	170 kPa
Blade Speed (RPM)		Up to 3000
Maximum Driving Speed	Forward	Up to 9.6 km/h
	Reverse	up to 4.8 km/h
Cutting-Height Adjustment (12 position)		25 – 100 mm
Charging Temperature Range		5°C - 40°C
Operating Temperature		0°C- 40°C
Storage Temperature		-20°C - 70°C
Weight (Without battery pack)		220 kg
Measured sound power level L_{WA}		97.7 dB(A) K=1.75 dB(A)
Sound pressure level at operator's ear L_{PA}		83.6 dB(A) K=3 dB(A)
Guaranteed sound power level L_{WA} (measured according to 2000/14/EC)		100 dB(A)
Vibration a_h	Hand	0.24 m/s ² K=1.5 m/s ²
	Body	0.18 m/s ² K=1.5 m/s ²

- The declared vibration total value has been measured in accordance with a standard test method and may be used for comparing one tool with another;
- The declared vibration total value may also be used in a preliminary assessment of exposure.

NOTICE: The vibration emission during actual use of the power tool can differ from the declared value in which the tool is used; In order to

protect the operator, user should wear gloves and ear protectors in the actual conditions of use.

RECOMMENDED ACCESSORIES

⚠ WARNING: Use only accessories listed below. Use of accessories that do not meet the original equipment specifications may lead to improper performance and compromised safety.

PART NAME	MODEL NUMBER
Collection Blade Set	AB3801TD
Mulching Plug	AMP3800T

DESCRIPTION

KNOW THE TRACTOR (Fig. A1)

1. Seat
2. Cup Holders
3. Rear Wheel (Drive Wheel) (x2)
4. Wash Port (x2)
5. Deck
6. Anti-Scalp Wheel (x2)
7. Front Wheel (x2)
8. Front Bumper
9. Parking-Brake Pedal
10. LED Headlight (x2)
11. Power Unit
12. Storage Compartment
13. Parking-Brake Lock Lever
14. Steering Wheel
15. Seat Position Adjustment Lever
16. Grass Bagger
17. Charging Port

18. USB Port
19. Storage Basket
20. Accelerator Pedal
21. Deck-Height Adjustment Lever
22. Tipping Lever
23. Handle
24. Tractor Status Indicator
25. Blade Speed Adjustment Button
26. MOWING IN REVERSE Button
27. Start/Stop Button
28. Direction Control Lever
29. Safety Key
30. PTO Switch
31. CCS Button
32. LED Light Button / Bluetooth Button
33. Driving Speed Adjustment Button
34. Power-Unit Cover Release Button
35. Power-Unit Cover
36. Power unit with six battery compartments
37. Battery-Release Button

KNOW THE LCD SCREEN (Fig. A2)

Refer to the section “TRACTOR STATUS REFERENCE” and “FAULT CODE REFERENCE” for more information about the icons and indicators on the LCD screen.

1. CCS Icon
2. Safety-Device Status Indicator
3. MOWING IN REVERSE OFF Icon
4. Drive Icon
5. Reverse Icon
6. Safety Key Icon
7. LED Lights Icon
8. Bluetooth Icon
9. Blade Speed Indicator
10. Hour Meter
11. Fuel Gauge
12. Temperature Icon
13. Alert Icon (Overload/Low-Power)
14. Vacant Battery Compartment Icon
15. Occupied Battery Compartment Icon
16. Fault Code Indicator
17. Load Indicator
18. Driving Speed Indicator
19. Full Bagger Icon
20. No Bagger Icon

UNPACKING

NOTICE: Save the packing materials until you have carefully inspected and satisfactorily operated the product. If any parts in packing list assembled on the machine please instantly contact EGO service.

NOTICE: Except the tools in below packing list, all other tools mentioned in the manuals are just recommended but not provided.

PACKING LIST (Fig. B)

B-1	Electric Lawn Tractor	B-2	Seat
B-3	Steering Wheel	B-4	Dust Cap
B-5	Combination Wrenches	B-6	18 mm Socket Wrench
B-7	Step Bolts (1 for backup)	B-8	M8 Nuts (1 for backup)
B-9	M12 Nuts(1 for backup)	B-10	Washers (1 for backup)
B-11	Safety Key	B-12	Wash-port Quick Coupler
B-13	Operator's Manual	B-14	Grass Bagger (with two sets of bolt & nut for side brackets)
B-15	U-shaped Bracket	B-16	Side Bracket
B-17	Tipping Lever	B-18	Left and Right Bagger Support Bracket
B-19	Cross Bar	B-20	M8X40 Bolt
B-21	M8X25 Bolt	B-22	M8 Nut

ASSEMBLY

INSTALLING THE STEERING WHEEL (Fig. C1)

C1-1	Steering Column	C1-2	Steering Wheel
C1-3	Center Line	C1-4	Washer
C1-5	Nut	C1-6	18 mm Socket Wrench
C1-7	Dust Cover		

INSTALLING THE SEAT (Fig. C2)

⚠ WARNING: The safety interlock system must not be disconnected or bypassed. Doing so could cause the tractor to operate unexpectedly, resulting in personal injury.

C2-1	Seat	C2-2	Nut (M8)
C2-3	Step Bolt	C2-4	Socket
C2-5	Plug		

EN INSTALLING THE GRASS BAGGER (Fig. C3-C8)

C3-1	U-shaped Bracket	C3-2	Bagger
C3-2	4 Sets of Bolts & Nuts (M8 X 40)	C3-4	Combination Wrench
C4-1	Side Brackets	C4-2	4 Sets of Bolts & Nuts (M8 X 40)
C4-3	Combination Wrench	C5-1	Tipping Lever
C5-2	1 set of bolt & nut (M8 X 40)	C5-3	Combination Wrench
C6-1	Bagger Support Brackets	C6-2	4 Sets of Bolts & Nuts (M8 X 25)
C6-3	Combination Wrenches	C7-1	Cross Bar
C7-2	2 Nuts (M8)	C7-3	Combination Wrenches

ADJUSTMENT

BEFORE ADJUSTMENT (Fig. D1)

ADJUSTING THE CUTTING-DECK HEIGHT (Fig. D2)

ADJUSTING THE ANTI-SCALP WHEELS (Fig. D3 – D6)

D3-1	Anti-Scalp Wheels	D5-1	Nut
D5-2	Lug Bolt	D6-1	Deck Height Label

ADJUSTING THE SEAT (Fig. D7)

D7-1	Seat Position Adjustment Lever
------	--------------------------------

OPERATION

BEFORE OPERATION (Fig. E1)

SETTING THE PARKING BRAKE (Fig. E2)

E2-1	Parking-Brake Position	E2-2	Released Position
------	------------------------	------	-------------------

⚠ WARNING: THE PARKING-BRAKE PEDAL CANNOT SLOW DOWN THE DRIVING SPEED. NEVER TRY TO DEPRESS THE PARKING-BRAKE PEDAL TO SLOW DOWN THE DRIVING SPEED DURING DRIVING. WHEN THE PARKING-BRAKE PEDAL IS DEPRESSED BUT IS NOT ENGAGED IN THE PARKING-BRAKE POSITION, THE ELECTRIC BRAKE IS NO LONGER EFFECTIVE AND THE TRACTOR WILL STOP MOVING ON A FLAT SURFACE. BUT IF THIS HAPPENS ON A SLOPE, THE TRACTOR MAY SLIDE DOWN THE SLOPE ONCE THE PARKING-BRAKE PEDAL IS RELEASED.

⚠ WARNING: PULL UP THE PARKING-BRAKE LOCK LEVER AND DEPRESS THE PARKING-BRAKE PEDAL IMMEDIATELY TO ENGAGE IT IN THE PARKING-BRAKE POSITION IN CASE ANY EMERGENCY OCCURS, THE TRACTOR WILL STOP IMMEDIATELY AND WILL NOT SLIDE DOWN THE SLOPE.

ATTACHING / DETACHING THE BATTERY PACK (Fig. E3 – E6)

In order to start this tractor, EGO batteries totaling 15 Ah (2 X BA4200/BA4200T) or more are required. For best performance, we recommended use of EGO batteries that total 30 Ah or more.

E3-1	Cover Release Button	E5-1	Battery Release Button
------	----------------------	------	------------------------

CHARGING THE TRACTOR

Use only with the recommended battery packs and chargers.

- Charge the battery pack(s) separately (Fig. E7)

NOTICE: Refer to corresponding battery and charger manuals for detail instructions.

- Charge the battery pack(s) via charging port (Fig. E8-E10)

E10-1	Dust Cap	E10-2	Charging Port
-------	----------	-------	---------------

TESTING THE SAFETY INTERLOCK SYSTEM

- To test the deck-blade system (Fig. E11 – E12)
- To test the driving system (Fig. E13 – E14)

If the deck-blade system and/or the driving system fails to stop when the operator is off of the seat and if the cause cannot be determined after confirming the plug and socket connection of the seat is well connected, contact your EGO customer service center immediately.

COMMUNICATION TECHNOLOGY

For information on our full range of connected products and services, including connection instructions, please scan QR Code below or visit www.egopowerplus.eu/connect.



CHECKLIST BEFORE OPERATION

- Ensure that the work area is clear of children, bystanders, and pets.
- Clear the work area of objects that may be thrown by the tractor blades.
- Clean debris from the tractor.
- Check for loose fasteners.
- Check to make sure that all guards are in place and working properly.
- Visually check the tires whether they are inflated.
- Check the brake operation.
- Adjust the deck height to the desired cutting position best suited for the lawn, and adjust anti-scalp wheels accordingly.
- Adjust the seat position and make sure both pedals can be reached.
- Verify the battery charge level.
- Test the safety interlock system.
- Ensure the grass bagger is installed properly.

STARTING THE TRACTOR (Fig. E15 – Fig. E16)

⚠ WARNING: Avoid sudden starts, stops, and turns, as well as excessive speed, especially when first learning to operate the tractor. The tractor can spin rapidly, which may cause you to lose control and result in serious injury and/or damage.

⚠ WARNING: Before starting the tractor, check and make sure the blades are disengaged within 5s when pushing the PTO switch downward. If the blades fail to stop, do not use the tractor and contact your EGO customer service immediately.

NOTE:

- If the parking-brake pedal is set at the parking-brake position, you need to only press the start/stop button for 3 seconds to illuminate the LCD screen and then release the parking-brake pedal before driving the tractor.
- The cutting blades can be started at any time once the LCD screen is fully illuminated and the direction control lever is not pulled backward in the “R” direction. To turn on the blades while driving the tractor in reverse, refer to the section “**TURNING BLADES ON WHILE DRIVING IN REVERSE**” in this manual.

NOTICE: Follow Fig. E17 to get the lowest driving speed until you are fully capable of operating the tractor in all situations.

The electric lawn tractor does not memorize the driving speed and blade speed settings. The driving speed and blade speed will return to level 2 every time the tractor is turned off.

Driving Speed Adjustment (Fig. E17)

Blade Speed Adjustment (Fig. E18)

NOTE: When in “Level 3”, press the blade speed adjustment button again and the blade speed will resume the previous speed.

LED Lights (Fig. E19)

- The LED headlights could be turned on and off by the LED light switch.

USB Port

NOTICE: The USB port provides charging power of 5 Voltage DC at up a combined draw of 1.5 Amperes and is powered only when the tractor is startup.

STOPPING THE TRACTOR (Fig. E20)

⚠ WARNING: Always set the parking-brake pedal at parking-brake position when the tractor stops driving on a slope, otherwise, the tractor may slide down the slope, which may cause serious tractor damage or personal injury!

NOTE: In a situation when the parking-brake pedal is set to the parking-brake position and the operator is off the seat, but the battery packs are not removed:

- In case the LCD screen is turned off, the battery indicators, start/stop button, and CCS button will remain illuminated for 1 hour.
- In case the LCD screen shows the “fuel gauge” or operator interface, the tractor will automatically shut off after 1 hour.

Limp-Home Mode

When battery charge becomes critically low, the tractor will go into Limp-Home mode to preserve enough power to travel back to the charging area.

- The blades switch into low rotation speed, which could only cut very little amount of grass. Upon encountering tall and dense grass, the blades will stop rotating. The audio indicator will sound (beep) intermittently.
- The tractor status indicator will flash red every second, both the alert icon (low-power) and the icon of each occupied battery compartment will blink.

The operator should:

- Push the PTO switch downward to turn off the blade motors. The audio indicator will stop sounding when the blade motors stop.
- Stop working and get to the charging area as soon as possible. The maximum distance the tractor can travel is 1000m.

When the battery is nearly depleted, both the alert icon (low-power) and the icon of each occupied battery compartment will blink every half a second. The tractor will stop working immediately. The operator will have to transport the tractor to the charging area for charging.

NOTICE: If manual pushing is needed, be sure that the batteries are disconnected from the tractor and the parking-brake pedal is released from the parking-brake position.

DRIVING THE TRACTOR (Fig. E21)

⚠ DANGER: Stay at least two mowing widths away from any ditches, drop-offs, or water. Front wheels can rotate when the tractor is stopped, even with the brake applied, and cause the tractor to go over the edge or into the water and result in death or serious personal injury.

⚠ WARNING: Do not operate the tractor on public roadways.

⚠ WARNING: If blockage happens or you strike a foreign object, stop the motors and remove the batteries. Remove grass clippings, leaves, dirt and any other accumulated debris; thoroughly inspect the tractor for damage and repair the damage before restarting and operating the tractor.

NOTE:

- During driving, when you leave the seat, the tractor status indicator will turn off. When restarting driving again, sit back on the seat and fully depress the parking-brake pedal to make the tractor status indicator shine green.
- When switching between forward and reverse during driving, move the direction control lever directly from one end to the other without stopping in the neutral position, otherwise the tractor may stop moving.


USING CRUISE CONTROL (CCS)



To activate (enter) Cruise Control (CCS) (Fig. E22)

NOTE: The driving speed level shown on the LCD screen may not accurately represent the actual driving speed of the tractor in cruise control. Press the speed adjustment button to “refresh” the driving speed level on the LCD screen.

EN To stop (exit) Cruise Control (CCS), you may choose one of the three ways:

- Depress the accelerator pedal all the way and keep depressing. The CCS function will stop and the tractor will continue driving.
- Slightly depress the accelerator pedal and then release it. The tractor and the CCS function will stop.
- Press the CCS button. The tractor and the CCS function will stop.

NOTE: When the CCS is stopped, the “” icon will disappear from the LCD screen and beep will sound twice.

NOTE: If the parking-brake pedal is depressed, the tractor will stop but the “” icon will blink on the LCD screen to indicate the CCS is on standby. In this case, release the parking-brake pedal, press the CCS button. The tractor will resume driving automatically and the “” icon will stop blinking.

TURNING BLADES ON WHILE DRIVING IN REVERSE

NOTICE: Mowing in reverse is not recommended.


⚠ WARNING: Use extreme caution when mowing in reverse. Always make sure no individuals come into the work area, especially small children before and while mowing in reverse.

⚠ WARNING: The visibility of the operators could be impaired when operating the tractor attached with the bagger kit. Extreme caution and familiarity with the surroundings should always be taken into consideration before and while mowing in reverse.



To Activate (Enter) MOWING IN REVERSE (E23)

To Stop (Exit) MOWING IN REVERSE, you may choose one of the four ways:

- Press the MOWING IN REVERSE button once.
- Raise yourself off the tractor seat.
- Press the start/stop button for 3s to turn off the LCD screen.
- Remove the safety key or remove the battery pack(s) to shut down the tractor.

NOTE: When the MOWING IN REVERSE is stopped, the “” icon will illuminate on the LCD screen.

EMPTYING THE GRASS BAGGER (Fig. E24)

NOTE: When the “” icon blinks on the LCD screen, the grass bagger is full. After the bagger is emptied, the “” icon will disappear from the LCD screen.

NOTE: The grass bagger should be replaced properly onto the tractor, otherwise, the tractor can be driven but the blade motors cannot be turned on.

MAINTENANCE

⚠ WARNING: Always wear eye protection with side shields. Failure to do so could result in objects being thrown into your eyes resulting in possible serious injury.

⚠ WARNING: Always protect your hands by wearing heavy gloves or wrapping the cutting edges with rags or other materials when performing any maintenance on the tractor blade. Always remove the safety key and battery packs when servicing or transporting the tractor.

RECOMMENDED MAINTENANCE SCHEDULE(S)

Maintenance Service Interval	Maintenance Procedure
Before each use or daily	<ul style="list-style-type: none"> ■ Check the safety-interlock system. ■ Visually check the tires whether they are inflated. ■ Inspect the blades. ■ Inspect the entire product for damaged, missing, or loose parts such as side discharge chute, screws, nuts, bolts, caps, etc., ensuring that all guards are in place and working properly. ■ Check and make sure the accelerator pedal could be depressed and release properly. ■ Check the steering wheel damper. The steering wheel should be rotated with certain resistance.
After each use	<ul style="list-style-type: none"> ■ Clean the tractor and wash the deck.
Every 25h	<ul style="list-style-type: none"> ■ Check the tire pressure.
Every 100h	<ul style="list-style-type: none"> ■ Check the rear wheels, ensuring that all lug nuts are fastened at the recommended torque (101-103 Nm). ■ Check the front wheels, ensuring that the nut is fastened at the recommended torque (90-92 Nm).
Every 200h	<ul style="list-style-type: none"> ■ Check the front wheels, ensuring that they turn freely.
Every half a year	<ul style="list-style-type: none"> ■ Check the parking-brake pedal. Remove the battery from the tractor, then pull up the parking-brake lock lever and depress the parking-brake pedal to set the parking-brake. Manually push the tractor forward to see if the tractor can be moved without the rear wheels rotating. If the tractor moves and the rear wheels rotate meanwhile, please contact EGO customer service center for repair.
Before storage	<ul style="list-style-type: none"> ■ Remove the batteries from the tractor. ■ Remove the safety key from the tractor. ■ Perform all maintenance procedures listed above and thoroughly clean the tractor. ■ Inspect the entire product for damaged, missing, or loose parts, replace or tighten the corresponding ones before storage.
Annually	<ul style="list-style-type: none"> ■ Lubricate the shaft sleeves of the front wheels.

GENERAL MAINTENANCE

Emptying the grass (Fig. F1 – F3)

Cleaning the tractor housing (Fig. F4).

Using wash port to clean tractor deck (Fig. F5 – F6)

F5-1	Wash Port	F5-2	Wash-Port Quick Coupler
F5-3	Garden Hose		

NOTICE: When finishing cleaning, turn off the tractor completely and then remove the garden hose and quick-coupler.

MAINTAINING THE TRACTOR DECK AND THE CUTTING BLADES

Preparation (Fig. G1)

Removing the deck (Fig. G2 – G3)

G2-1	Motor Cable	G2-2	Cotter Pin
G2-3	Suspension Linkage		

Replacing the cutting blades (Fig. G4 – G6)

G4-1	Stabilizer	G5-1	Bolt
G5-2	Washer	G5-3	Blade
G5-4	Flange	G5-5	Motor Shaft

Leveling the deck

a. When to level (Fig. G7 / Fig. G8 / Fig. G9)

b. Before leveling

- Checking the cold tire pressure (Fig. G10)
- Check the cutting blades. Remove and replace worn, cracked, and/or bent blades as necessary.

c. Preparation for leveling (Fig. G11)

d. How to level

- To make side-to-side adjustment (Fig. G12)
- To make front-to-rear adjustment (Fig. G13)

STORAGE AND TRANSPORT

TRANSPORTING THE TRACTOR (Fig. H1 – H5)

H2-1	Ramps	H2-2	Straps
------	-------	------	--------

NOTICE: Secure the tractor as needed, using straps or cables to prevent movement during transport.

STORAGE (Fig. I1 – I2)

NOTICE: Remove and store the battery pack(s) separately refer to the corresponding manuals.

Clean and check the tractor before storage refer to the sections “GENERAL MAINTENANCE” and “RECOMMENDED MAINTENANCE SCHEDULE(S)”.

Protecting the environment




WEEE (Waste Electrical and Electronic Equipment) Do not dispose of electrical equipment, used battery and charger into household waste! Take this product to an authorized recycler and make it available for separate collection.

Electric tools must be returned to an environmentally compatible recycling facility.

EN TROUBLESHOOTING

PROBLEM	CAUSE	SOLUTION
The electric lawn tractor fails to drive when the accelerator pedal is depressed.	<ul style="list-style-type: none"> The combined Ah of the inserted batteries does not meet the requirement. 	<ul style="list-style-type: none"> In order to start this tractor, use enough EGO batteries following the instructions in section “ATTACHING/ DETACHING THE BATTERY PACK” in this manual.
	<ul style="list-style-type: none"> The parking brake pedal is set in the braking position. 	<ul style="list-style-type: none"> Fully depress the parking-brake pedal to release it from the parking-brake position.
	<ul style="list-style-type: none"> The tractor status indicator does not shine green. 	<ul style="list-style-type: none"> Depress the parking-brake pedal and then release. The tractor status indicator will shine green, which means the tractor is ready to start.
	<ul style="list-style-type: none"> The operator is not sitting on the seat. 	<ul style="list-style-type: none"> The tractor can only be operated, when the operator is properly sitting on the seat.
	<ul style="list-style-type: none"> The seat safety interlock system is not connected properly. 	<ul style="list-style-type: none"> Remove the batteries from the tractor and lift the back of the seat up to make sure that the cable plug is properly connected to the socket on the bottom of the seat (see chapter “INSTALLING THE SEAT”). Follow the instructions in “STARTING THE TRACTOR” to restart the tractor to see if the tractor can be started. If not, please contact EGO customer service center for repair.
	<ul style="list-style-type: none"> Under extreme cold weather, the driving function may not start successfully due to the low temperature protection. 	<ul style="list-style-type: none"> Always store the tractor and batteries in warm environment. Restart the tractor when it is warmed up. Please do not make repeated attempts under extreme cold weather which may damage the machine.
	<ul style="list-style-type: none"> The travel path of the accelerator pedal is clogged with debris. 	<ul style="list-style-type: none"> Check and remove the debris
	<ul style="list-style-type: none"> Failure of mechanical or electronic components of the accelerator pedal. 	<ul style="list-style-type: none"> Contact EGO customer service center for repair.
	<ul style="list-style-type: none"> The direction control lever is placed in the neutral position. 	<ul style="list-style-type: none"> Push/pull the direction control lever in the “D” or “R” direction.
The electric lawn tractor stops driving.	<ul style="list-style-type: none"> When switching between forward and reverse during driving, the direction control lever stays in the neutral position for long time. 	<ul style="list-style-type: none"> Release the accelerator pedal and then depress it again.
	<ul style="list-style-type: none"> Failure of electronic components of the accelerator pedal. 	<ul style="list-style-type: none"> Contact EGO customer service center for repair.
	<ul style="list-style-type: none"> The seat safety interlock system got disconnected during driving on a rough terrain. 	<ul style="list-style-type: none"> Remove the batteries from the tractor and lift the back of the seat up to make sure that the cable plug is properly connected to the socket on the bottom of the seat (see chapter “INSTALLING THE SEAT”). Follow the instructions in “STARTING THE TRACTOR” to restart the tractor to see if the tractor can be started. If not, contact EGO customer service center for repair.
	<ul style="list-style-type: none"> The operator's weight is not evenly distributed on the seat. The weight of the operator on the seat must be at least 20 kg for the seat safety interlock system to function properly. 	<ol style="list-style-type: none"> Sit on the seat properly, fully depress the parking-brake pedal and release it, then the tractor is ready for driving. Disconnect and attach the batteries again if necessary.
	<ul style="list-style-type: none"> The parking-brake pedal is depressed enough but not locked to the parking position, the tractor will stop. 	<ul style="list-style-type: none"> Follow the instructions in “STARTING THE TRACTOR” to restart the tractor.

PROBLEM	CAUSE	SOLUTION
<p>The electric lawn tractor fails to start the blades when the PTO switch is activated.</p> <p> PTO Switch icon blinks</p>	<ul style="list-style-type: none"> The combined Ah of the inserted batteries does not meet the requirement. 	<ul style="list-style-type: none"> In order to start this tractor, use enough EGO batteries following the instructions in section “ATTACHING/ DETACHING THE BATTERY PACK” in this manual.
	<ul style="list-style-type: none"> The PTO switch was not pushed down when the tractor was turned off last time. 	<ul style="list-style-type: none"> Push the PTO switch down and then up to restart the blade motors.
	<ul style="list-style-type: none"> The tractor is overloaded at the moment the blades are starting to rotate, triggering the blade motors self-protection. 	<ul style="list-style-type: none"> Start the grass cutting in lower blade speed first and do not accelerate the blade speed until the blades are rotating successfully.
	<ul style="list-style-type: none"> Under extreme cold weather, the blade motor may not start successfully due to the low temperature protection. 	<ul style="list-style-type: none"> Always store the tractor and batteries in warm environment. Restart the tractor when it is warmed up. Please do not make repeated attempts under extreme cold weather which may damage the machine.
	<ul style="list-style-type: none"> The blade interferes with the deformed tractor deck 	<ul style="list-style-type: none"> Contact EGO Customer Service Center for repair.
	<ul style="list-style-type: none"> The grass bagger is not installed properly. 	<ul style="list-style-type: none"> Install the grass bagger properly following the section “INSTALLING THE GRASS BAGGER” in the manual.
<p>The blades stop rotating during grass cutting.</p>	<ul style="list-style-type: none"> The tractor is overloaded. 	<ul style="list-style-type: none"> Raise the deck cutting height or slow down the driving speed to reduce the load of the tractor.
	<ul style="list-style-type: none"> The deck is clogged with grass and debris. 	<ul style="list-style-type: none"> Clean the deck and make certain that the blades have freedom of movement.
	<ul style="list-style-type: none"> The tractor is overheated. 	<ul style="list-style-type: none"> Reduce the load of the tractor, by raising the deck cutting height or slowing down the blade/driving speed and allow the tractor to cool.
	<ul style="list-style-type: none"> The battery pack(s) in the tractor’s battery compartment is overheated, resulting in combined Ah rating of all inserted batteries to not meet the requirement 	<ol style="list-style-type: none"> The tractor can continue working if the combined battery Ah rating, overheated battery excluded, meets the requirement. Once the overheated battery returns to normal temperature, it will join in powering the tractor immediately. If the combined battery Ah rating does not meet the requirement, the tractor will not work until more battery packs are inserted into the vacant battery compartments. Reduce the load of the tractor by raising the deck cutting height or slowing down the driving speed when resuming operation.
	<ul style="list-style-type: none"> The tractor is in Limp-Home mode. 	<ul style="list-style-type: none"> When the tractor is in Limp-Home mode, the blades are automatically switched into low rotation speed. The operator should stop working and drive to the battery charging area as soon as possible.
	<ul style="list-style-type: none"> The tractor is hit by a foreign object, resulting in motor self-protection. 	<ul style="list-style-type: none"> Push the PTO switch down and then up to restart the blade motors.
	<ul style="list-style-type: none"> The tractor moves in reverse with the MOWING IN REVERSE OFF icon illuminated on the LCD screen. 	<ul style="list-style-type: none"> Press the PTO switch down and restart the blade motors following the instructions in the section “To Active (Enter) MOWING IN REVERSE”.
<p>The audio indicator continues sounding.</p>	<ul style="list-style-type: none"> The tractor is in Limp-home mode and the blades are not turned off. 	<ul style="list-style-type: none"> Push the PTO switch down to turn off the blade motors. The audio indicator will stop sounding when the blade motors are turned off.
	<ul style="list-style-type: none"> The tractor stops driving on a slope and the operator is off the seat without setting the parking-brake pedal at the parking-brake position. 	<ul style="list-style-type: none"> Set the parking-brake pedal in the parking-brake position before leaving the tractor on the slope.

PROBLEM	CAUSE	SOLUTION
The power indicators on battery packs are still illuminated when the tractor is turned off.	<ul style="list-style-type: none"> When the tractor is turned off on level ground without removing the battery pack(s) from the tractor, the power indicators will remain illuminated for a period. 	<ul style="list-style-type: none"> No action is needed. The battery indicators will go off when the tractor shuts off after a period. Refer to the section "STOPPING THE TRACTOR" for specific time
	<ul style="list-style-type: none"> When the tractor is turned off on a slope without setting the parking brake, the power indicators on battery packs will stay on until the battery charge is depleted. The audio indicator keeps sounding at the same time. 	<ul style="list-style-type: none"> Set the parking-brake pedal at the parking-brake position before leaving the tractor on the slope. Otherwise, the tractor may slide down the slope.
The LCD screen fails to be illuminated with all icons on.	<ul style="list-style-type: none"> Start/stop button is not pressed for sufficient time. 	<ol style="list-style-type: none"> The LCD screen will only display the "fuel gauge" when the start/stop button is pressed briefly. The LCD screen will turn on after fully depressing the parking-brake pedal and pressing the start/stop button for sufficient time simultaneously.
	<ul style="list-style-type: none"> When the safety key icon "🔑" flashes on the LCD screen, the safety key is not inserted. 	<ul style="list-style-type: none"> Insert the safety key, then fully depress the parking-brake pedal and press the start/stop button for sufficient time simultaneously to turn on the LCD screen.
	<ul style="list-style-type: none"> When the parking-brake icon "(P)" flashes on the LCD screen, the parking-brake pedal is not fully depressed. 	<ul style="list-style-type: none"> Insert the safety key, then fully depress the parking-brake pedal and press the start/stop button for sufficient time simultaneously to turn on the LCD screen.
The tractor cuts unevenly, with significant height difference front to rear.	<ul style="list-style-type: none"> The blades are dull. 	<ul style="list-style-type: none"> Sharpen or replace the cutting blades as instructed in this manual.
	<ul style="list-style-type: none"> The blades are bent. 	<ul style="list-style-type: none"> Replace the bent cutting blades following the instructions in section "Replacing the cutting blades".
	<ul style="list-style-type: none"> The deck is not leveled, resulting in different cutting blade height 	<ul style="list-style-type: none"> Level the deck following the instructions in section "Leveling the deck".
The actual grass cutting height is not aligned with the claimed height.	<ul style="list-style-type: none"> The deck nuts are loosened on the suspension linkage. 	<ul style="list-style-type: none"> Follow the instructions in section "Leveling the deck" to make correct front-to-rear adjustment for the tractor deck and securely tighten the nuts on the suspension linkage.
	<ul style="list-style-type: none"> The deck is damaged or seriously worn. 	<ul style="list-style-type: none"> Follow the instructions in section "Removing the deck" to have tractor deck replaced.
The tractor does not mulch properly.	<ul style="list-style-type: none"> Wet grass clippings are sticking to the underside of the deck. 	<ul style="list-style-type: none"> Wait until the grass dries before mowing.
	<ul style="list-style-type: none"> The tractor is set to cut too much grass at once. 	<ul style="list-style-type: none"> Raise the deck cutting height.
Excessive vibration.	<ul style="list-style-type: none"> The cutting blades are loose. 	<ul style="list-style-type: none"> Tighten the blade bolt to the recommended torque.
	<ul style="list-style-type: none"> The blades are bent. 	<ul style="list-style-type: none"> Replace the bent cutting blades following the instructions in section "Replacing the cutting blades".
	<ul style="list-style-type: none"> The deck is not leveled. 	<ul style="list-style-type: none"> Level the tractor deck following the instructions in section "Leveling the deck".
	<ul style="list-style-type: none"> The deck nuts are loosened on the suspension linkage. 	<ul style="list-style-type: none"> Tighten the nuts on the suspension linkage.
	<ul style="list-style-type: none"> The deck is set to cut too much grass at once. 	<ul style="list-style-type: none"> Raise the deck cutting height.

PROBLEM	CAUSE	SOLUTION
There are grass or debris remaining on the ground after mowing.	<ul style="list-style-type: none"> The deck is set to cut too much grass at once when the grass is tall. 	<ul style="list-style-type: none"> Begin with a high cutting height and reduce it until the desired mowing result is attained. Grass over 152 mm tall should be mowed twice, at successively lower cutting heights.
	<ul style="list-style-type: none"> The grass is wet. 	<ul style="list-style-type: none"> Do not mow when the grass is wet. Wait until the grass dries.
	<ul style="list-style-type: none"> The driving speed is high. 	<ul style="list-style-type: none"> Slow down the driving speed.
	<ul style="list-style-type: none"> The blade speed is low. 	<ul style="list-style-type: none"> Increase the blade speed gradually.
Short run time of the tractor with included batteries.	<ul style="list-style-type: none"> Lawn terrain, grass conditions, cutting-height setting, driving speed, blade speed, etc. will greatly affect the running time. 	<ul style="list-style-type: none"> Raise the deck cutting height and slow down the blade speed to reduce the cutting load.
The tractor is not tracking straight.	<ul style="list-style-type: none"> The tire pressures for the left and right wheels are different. 	<ul style="list-style-type: none"> Check and adjust the air pressure in both front rear wheel tires, according to the recommendation in section "SPECIFICATIONS" in this manual.
The parking-brake pedal cannot be released from the parking-brake position or is slow to spring back.	<ul style="list-style-type: none"> The travel path of the parking-brake pedal is clogged with debris. 	<ul style="list-style-type: none"> Check and remove the debris.
The tractor cannot be charged via charging port with the tractor status indicator shining solid red.	<ul style="list-style-type: none"> The plug of the charger is not inserted correctly into the charging port on the tractor. 	<ul style="list-style-type: none"> Reconnect the charger plug to see whether the tractor can be charged normally.
	<ul style="list-style-type: none"> There is no power in the wall outlets. 	<ul style="list-style-type: none"> No action is needed. Wait until the power recovers.
	<ul style="list-style-type: none"> Charger malfunction. 	<ul style="list-style-type: none"> Please contact EGO customer service center and have the charger inspected and/or repaired if needed by a qualified service technician.
	<ul style="list-style-type: none"> The charger port on the tractor is faulty. 	<ul style="list-style-type: none"> Please contact EGO customer service center for repair.
The charging time via the tractor charging port is too long.	<ul style="list-style-type: none"> Using EGO Adapter ACA1000 for charging requires long time. 	<ul style="list-style-type: none"> Use EGO charger CHV1600E for charging the electric lawn tractor directly.
The batteries cannot be fully charged via the tractor charging port.	<ul style="list-style-type: none"> Firmware bug of the tractor or the battery pack or the charger failure. 	<ul style="list-style-type: none"> Reset the charger by unplugging the charger and waiting for several minutes. Then reconnect the plug to the power supply. If this does not solve the problem, call EGO Customer Service Center.
The tractor cannot be started after cleaning.	<ul style="list-style-type: none"> Improper cleaning, such as water getting on the electric components, LCD screen etc. 	<ol style="list-style-type: none"> Follow the instructions in section "GENERAL MAINTENANCE" to clean the tractor correctly. If the tractor caught in rain accidentally, leave it to dry or use compressed air to dry it.
The deck gets clogged fast.	<ul style="list-style-type: none"> The deck was not properly cleaned after previous use. 	<ul style="list-style-type: none"> Clean the tractor deck after each use, following the section "Using wash port to clean the deck".
The tractor easily loses traction when climbing up on the slope.	<ul style="list-style-type: none"> The tires of the rear wheels are worn. 	<ul style="list-style-type: none"> Seek local service to replace the wheel tires.
	<ul style="list-style-type: none"> Mowing on a steep slope. 	<ul style="list-style-type: none"> The tractor should not be used to mow slopes steeper than required degrees.
When the tractor is stopped on a slope with the parking-brake pedal engaged, the tractor can roll down the slope.	<ul style="list-style-type: none"> The brake components are excessively worn due to improper operation of the tractor. 	<ul style="list-style-type: none"> Contact EGO customer service center for repair.

PROBLEM	CAUSE	SOLUTION
There is no water coming from the wash port when attempting to wash the deck.	<ul style="list-style-type: none"> The wash-port quick coupler is not properly mounted onto the wash port. 	<ul style="list-style-type: none"> Re-attach the wash-port quick coupler until you hear a clear click after firmly pushing. If it does not work, call EGO Customer Service Center.
An abnormal sound is heard when manually pushing the tractor without starting it.	<ul style="list-style-type: none"> The sound comes from the magnets inside the driving motor. 	<ul style="list-style-type: none"> It is normal and no action is needed.
The steering wheel cannot be rotated.	<ul style="list-style-type: none"> The steering wheel assembly is clogged with debris. 	<ul style="list-style-type: none"> Check and remove the debris.
The tractor does not turn left/right when the steering wheel is rotated.	<ul style="list-style-type: none"> Failure of electronic or mechanical components. 	<ul style="list-style-type: none"> Contact EGO Customer Service Center for repair.
The tractor fails to stop when releasing the accelerator pedal.	<ul style="list-style-type: none"> The return path of the accelerator pedal is clogged with debris. 	<ul style="list-style-type: none"> Check and remove the debris.
	<ul style="list-style-type: none"> The CCS button is pressed unintentionally while driving. The tractor is in cruise-control mode 	<ul style="list-style-type: none"> Check if the CCS icon is illuminated on the LCD screen, and exit the CCS as necessary. Refer to chapter “USING CRUISE CONTROL (CCS)”
The CCS function cannot be activated or turned off.	<ul style="list-style-type: none"> The CCS button is not pressed properly. 	<ul style="list-style-type: none"> Press the CCS button until the CCS icon is illuminated on the LCD screen, or disappears from the LCD screen.
The front wheels of the tractor rotate with abnormal noise	<ul style="list-style-type: none"> The shaft sleeves of the front wheels require lubrication. 	<ul style="list-style-type: none"> Remove the battery packs and then fill the injection ports with grease until the grease overflows the upper edge or lower edge of the shaft sleeves of the front wheels.

TRACTOR STATUS REFERENCE

EN

LCD Display	Description	Tractor Status Indicator	Audio Indicator	Cause	Solution
	Fuel Gauge Icon	OFF	No	It indicates the average charge capacity of inserted batteries	This is normal operation. No action is needed.
	Hour Meter Icon	OFF	No	It shows the total driving time of tractor, in hours and cannot be reset.	This is normal operation. No action is needed.
	Load Indicator Icon	OFF	No	It indicates the current load of the tractor.	This is normal operation. No action is needed.
	LED lights icon illuminates on the LCD screen.	OFF	No	The headlights are turned on by the LED light switch.	This is normal operation. No action is needed.
	Bluetooth icon illuminates on the LCD screen	OFF	No	The tractor is connected to a mobile device via Bluetooth.	This is normal operation. No action is needed.
	MOWING IN REVERSE OFF Icon illuminates on the LCD screen.	OFF	No	It indicates the blades cannot be turned on when the tractor moves in reverse.	This is normal operation. If needed, turn the blades on while driving in reverse following the section “TURNING BLADES ON WHILE DRIVING IN REVERSE” in the manual.
	Drive Icon illuminates on the LCD screen.	OFF	No	It indicates the tractor can be driven or is driving forward.	This is normal operation. Place the direction control lever in “D”, neutral, or “R” position according to the need.
	Reverse Icon illuminates on the LCD screen.	OFF	No	It indicates the tractor can be driven or is driving backward.	
	Drive icon and reverse icon blink alternately	OFF	No	It indicates the tractor could not be driven.	
	Safety key icon illuminates	OFF	No	The safety key is inserted correctly.	This is normal operation. No action is needed.
	Safety key icon blinks when the LCD screen displays “fuel gauge”.	OFF	No	The safety key is not inserted. Key Control Panel Box Assembly is broken.	Insert the safety key then fully depress the parking-brake pedal and press the START/STOP button simultaneously for more than 3 seconds to turn on the tractor. Contact EGO customer service center for repair.
	Parking-brake icon blinks when the LCD screen displays the “fuel gauge”.	OFF	No	The parking-brake pedal is not depressed.	With the safety key inserted, fully depress the parking-brake pedal and press the START/STOP button simultaneously for more than 3 seconds to turn on the tractor.
	Parking-brake icon blinks when the LCD screen displays operator interface.	OFF	No	Depress the accelerator pedal before depressing the parking-brake pedal to make the tractor indicator shine green.	Start the tractor properly following the section “STARTING THE TRACTOR” .
	Parking-brake icon illuminates	OFF	No	The parking-brake pedal is set at the parking-brake position.	Release it before starting the tractor.

LCD Display	Description	Tractor Status Indicator	Audio Indicator	Cause	Solution
	Seat sensor icon illuminates	OFF	No	The operator leaves the seat or the seat safety interlock system is disconnected.	If with the operator is seated on the seat and the icon is on, stop operating the tractor immediately and check the seat connection. If the seat connection with the tractor is confirmed correct, please contact a qualified service technician for repairs.
	PTO Switch icon blinks	OFF	No	The blade motor was interrupted in operation and the PTO switch is not set to off position.	Before restarting the tractor, push the PTO switch down to turn off the blade motors. Please see “ TROUBLESHOOTING ” section in this manual for reference.
	The icon of a certain battery compartment blinks.	OFF	No	A certain battery during discharging is over-current.	No action is needed. The tractor can continue working if the combined battery Ah rating, over-current battery excluded, is equal to or more than 15Ah. Once the over-current battery returns to normal, it will join in powering the tractor immediately and the icon will disappear.
	The icon of the empty battery compartment blinks	OFF	No	Battery capacity is not sufficient to allow the tractor to work.	In order to start this tractor, use enough EGO batteries following the instructions in section “ ATTACHING/DETACHING THE BATTERY PACK ” in this manual.
	The temperature icon and the exact occupied battery compartment blink at the same time.	OFF	No	The battery pack in the corresponding numbered battery compartment is overheated.	<ol style="list-style-type: none"> 1. The tractor can continue working if the combined battery Ah rating, overheated battery excluded, meets the requirement. Once the overheated battery returns to normal temperature, it will join in powering the tractor immediately. 2. If the combined battery Ah rating does not meet the requirement, the tractor will not work until more battery packs are inserted into the vacant battery compartments. 3. Reduce the load of the tractor by raising the deck cutting height or slowing down the driving speed when resuming operation.
	The temperature icon blinks.	OFF	One beep	The tractor is overheated.	Reduce the load of the tractor by raising the deck cutting height or slowing down the blade/driving speed. Take a break and allow the tractor to cool.
				The tractor is too cold.	Please do not make repeated attempts which may damage the machine. Always store the tractor and batteries in warm environment. Restart the tractor when it is warmed up.

LCD Display	Description	Tractor Status Indicator	Audio Indicator	Cause	Solution
	The alert icon blinks	Flashes red	One beep	The blade motor is overloaded.	Raise the deck cutting height or slow the driving speed to reduce the load of the tractor.
				The side discharge chute is clogged with grass and debris.	Clean the side discharge chute after each use.
				There is an interference between the blade and the tractor deck.	Call EGO Customer Service Center
 	The icons of each occupied battery compartment and alert icon blink every 1 second at the same time on the LCD screen.	Flashes red	Keeps beeping until the PTO switch is pushed downward.	The battery packs are low on charge and the tractor is in Limp Home mode.	Stop working and return to the battery charging area. NOTE: When the tractor is in Limp-Home mode, the blades are automatically switched into low rotation speed and meanwhile the audio indicator will keep beeping. The operator should push the PTO switch downward to turn off the blade motors. The audio indicator will stop beeping after the blades stop.
 	The icon of each occupied battery compartment and alert icon blink every half a second.	Flashes red	Keeps beeping	The blade motor was interrupted in operation and the PTO switch is not set to off position.	The tractor will stop working immediately. The operator should transport the tractor to the battery charging area for charging.
	CCS icon illuminates on the LCD screen	Solid green	No	The tractor continues forward at a set speed without needing to step on the accelerator pedal.	This is normal operation. If needed, turn the CCS function off following the section “ To stop (exit) Cruise Control (CCS) ” in the manual.
	CCS icon blinks on the LCD screen.	OFF	No	<p>The CCS (cruise control system) function has failed.</p> <p>Parking-brake pedal is depressed to stop the tractor.</p>	<p>The CCS function could not be set when the tractor is driving at very low speed or is driving in reverse.</p> <p>After the parking-brake pedal is released, press the CCS button and the CCS icon will illuminate on the LCD, or exit the CCS function following the instructions in the section “To stop (exit) Cruise Control (CCS)”.</p>
	No bagger icon illuminates on the LCD screen	n/a	No	It indicates the grass bagger is not mounted onto the tractor or is not mounted properly.	Mount the grass bagger onto the tractor properly.
	Full bagger icon blinks on the LCD screen	n/a	No	It indicates the grass bagger is full.	Empty the grass bagger and replace it properly.

LCD Display	Description	Tractor Status Indicator	Audio Indicator	Cause	Solution
n/a	n/a	OFF	Keeps beeping	The tractor is parked on a slope and the operator leaves the tractor without setting the parking-brake pedal at the parking-brake position.	Set the parking-brake pedal at the parking-brake position. The parking-brake icon will illuminate and the sound indicator will stop beeping.
OFF	Charging Port Fault	Solid RED	n/a	There is no power supply.	Check the wall outlet whether there is 220V-240V supplied or the socket is good.
		Solid RED	n/a	Electronic faults, such as the charging port is in open circuit, the fuse is blown, etc.	Contact EGO customer service center for repair.

FAULT CODE REFERENCE

Description	Fault Code on LCD	Audio Indicator	Solution
Left blade motor fails in rotation	509	One beep	Inspect the blade first. If it is loosened, tighten the bolt with recommended torque. Otherwise, Please contact EGO customer service center for repair.
Right blade motor fails in rotation	609	One beep	

NOTICE: For any other fault codes appeared on the LCD screen, which may indicate PCBA failure, loosen connection, motor failure of the driving motor, blade motors, etc., please remove all battery packs and re-insert them a few minutes later to restart the tractor. If this doesn't solve the problem, please record the fault code and contact EGO customer service center for repair.

WARRANTY

EGO WARRANTY POLICY

Please visit the website egopowerplus.eu for full terms and conditions of the EGO Warranty policy.

LESEN SIE ALLE ANWEISUNGEN!



BEDIENUNGSANLEITUNG LESEN

DE

WARNSYMBOLE

Der Zweck von Warnsymbolen besteht darin, Ihre Aufmerksamkeit auf mögliche Gefahren zu lenken. Die Warnsymbole und deren Erklärungen verdienen Ihre vollste Aufmerksamkeit und Beachtung. Durch die Warnsymbole allein sind die Gefahren noch nicht ausgeschaltet. Die Anweisungen und Warnhinweise stellen keinen Ersatz für angemessene Unfallverhütungsmaßnahmen dar.

⚠️ WARNUNG: Vor der Benutzung des Geräts sollten Sie alle Sicherheitsanweisungen in dieser Bedienungsanleitung gelesen und verstanden haben. Das gilt auch für die Hinweise „**GEFAHR**“, „**WARNUNG**“ und „**VORSICHT**“. Die Nichtbeachtung der aufgeführten Anweisungen kann zu Stromschlägen, Bränden und/oder schweren Verletzungen führen.

SYMBOLBEDEUTUNG

Auf dieser Seite werden die Warnsymbole vorgestellt und beschrieben, die sich unter Umständen an dem Gerät befinden. Alle Anweisungen am Gerät lesen und befolgen, bevor das Gerät montiert und in Betrieb gesetzt wird.

WARNSYMBOLE

	Warnhinweis		Bedienungsanleitung aufmerksam lesen
	Augenschutz		Sicherheitsvorrichtungen instandhalten
	GEFAHR – Steile Böschung		GEFAHR – Schaulustige von Messern fernhalten
	Nie Kinder befördern		Beim Zurücksetzen nach hinten schauen
	WARNUNG - Verwenden Sie diese Maschine nicht an Böschungen mit einer Steigung von mehr als 12 Grad.		GEFAHR - Herausgeschleuderte Gegenstände
	WARNUNG - HÄNDE UND FÜSSE FERNHALTEN		Garantierter Schallleistungspegel. Gemäß Richtlinie der Europäischen Gemeinschaft.
	Nicht betreten		Elektrische Altgeräte dürfen nicht im Hausmüll entsorgt werden. Bringen Sie das Gerät zu einer offiziellen Recycling-Aannahmestelle.
	Dieses Produkt erfüllt die einschlägigen CE-Richtlinien		VORSICHT – Nicht in die Betriebsleuchte blicken.
	Gleichstrom		Dieses Produkt erfüllt die einschlägigen Vorschriften in GB.

kPa	Kilopascal
V	Volt
in	Zoll
Nm	Newtonmeter
°C	Celsius
km/h	Kilometer pro Stunde

MIN ⁻¹	Umdrehungen pro Minute
m	Meter
cm	Zentimeter
mm	Millimeter
kg	Kilogramm
IPX4	Schutzklasse

SYMBOLLE IN DIESEM HANDBUCH



Die Informationen müssen beachtet werden.



Die angegebene Aktion stoppt.

TECHNISCHE DATEN

Spannung	56 V	
Mähdeckgröße	98 cm	
Radgröße	Vorne	15 x 6 – 6 Zoll
	Hinten	18 x 7,5 – 8 Zoll
Reifendruck kalt	Vorne	96,5 kPa
	Hinten	170 kPa
Messergeschwindigkeit (min ⁻¹)	Bis zu 3.000	
Maximale Fahrgeschwindigkeit	Vorwärts	Bis zu 9,6 km/h
	Rückwärts	bis zu 4,8 km/h
Schnitthöhenverstellung (12-stufig)	25 – 100 mm	
Ladetemperaturbereich	5 °C – 40 °C	
Betriebstemperatur	0 °C – 40 °C	
Lagertemperatur	-20 °C – 70 °C	
Gewicht (ohne Akku)	220 kg	
Gemessener Schalleistungspegel L _{WA}	97,7 dB(A) K=1,75 dB(A)	
Schalldruckpegel am Ohr des Bedieners L _{PA}	83,6 dB(A) K=3 dB(A)	
Garantierter Schalleistungspegel L _{WA} (nach 2000/14/EG gemessen)	100 dB(A)	
Vibration a _h	Hand	0,24 m/s ² K=1,5 m/s ²
	Karosserie	0,18 m/s ² K=1,5 m/s ²

- Der angegebene Vibrationsgesamtwert wurde nach einem Standard-Prüfverfahren gemessen und kann zum Vergleich mit einem anderen Werkzeug herangezogen werden.
- Der angegebene Vibrationsgesamtwert kann auch zur vorläufigen Risikobewertung herangezogen werden.

HINWEIS: Die beim Einsatz des Elektrowerkzeugs entstehenden Istvibrationen können von dem angegebenen Wert abweichen. Zum Schutz des Benutzers sollten Handschuhe und ein Gehörschutz während des Geräteeinsatzes getragen werden.

EMPFOHLENES ZUBEHÖR

⚠️ WARNUNG: Verwenden Sie nur das unten aufgeführte Zubehör. Die Verwendung von Zubehör, das nicht die originalen Gerätespezifikationen erfüllt, kann zu fehlerhafter Leistung und Beeinträchtigungen der Sicherheit führen.

BEZEICHNUNG DER TEILE	MODELLNUMMER
Auffangmesser-Set	AB3801TD
Mulchstecker	AMP3800T

BESCHREIBUNG

BESCHREIBUNG DES TRAKTORS (Abb. A1)

- Sitz
- Becherhalter
- Hinterrad (Antriebsrad) (x2)
- Schlauchanschluss (x2)
- Mähdeck
- Stützrolle (x2)
- Vorderrad (x2)
- Vordere Stoßstange
- Pedal der Feststellbremse
- LED-Scheinwerfer (x2)
- Antriebsaggregat
- Aufbewahrungsfach
- Verriegelungshebel der Feststellbremse
- Lenkrad
- Hebel zur Einstellung der Sitzposition

16. Grasfangsack
17. Ladeanschluss
18. USB-Anschluss
19. Aufbewahrungskorb
20. Gaspedal
21. Einstellhebel für Deckhöhe
22. Kipphebel
23. Griff
24. Traktorstatusanzeige
25. Einstelltaste der Messergeschwindigkeit
26. RÜCKWÄRTSMÄHEN-Taste
27. Start/Stopp-Taste
28. Fahrtrichtungsschalter
29. Sicherheitsschlüssel
30. Zapfwellenschalter
31. CCS-Taste
32. LED-Lichttaste/Bluetooth-Taste
33. Einstelltaste der Fahrgeschwindigkeit
34. Deckelentriegelung des Antriebsaggregats
35. Deckel des Antriebsaggregats
36. Antriebsaggregat mit sechs Akkufächern
37. Akku-Entriegelungstaste

BESCHREIBUNG DES LC-DISPLAYS (Abb. A2)

Weitere Informationen zu den Symbolen und Anzeigen auf dem LC-Display stehen im Kapitel „**TRAKTORSTATUS**“ und „**FEHLERCODES**“.

1. CCS-Symbol
2. Statusanzeige der Sicherheitsvorrichtung
3. „RÜCKWÄRTSMÄHEN AUS“-Symbol
4. Fahren-Symbol
5. Rückwärtsgang-Symbol
6. Sicherheitsschlüssel-Symbol
7. LED-Leuchten-Symbol
8. Bluetooth-Symbol
9. Messergeschwindigkeitsanzeige
10. Betriebsstundenzähler
11. Ladestandanzeige
12. Temperatur-Symbol
13. Warnsymbol (Überlastung/niedriger Ladestand)
14. „Leeres Akkufach“-Symbol
15. „Belegtes Akkufach“-Symbol
16. Fehlercode-Anzeige
17. Lastanzeige
18. Fahrgeschwindigkeitsanzeige
19. „Grasfangsack voll“-Symbol
20. „Kein Grasfangsack“-Symbol

AUSPACKEN

HINWEIS: Bewahren Sie das Verpackungsmaterial so lange auf, bis Sie das Gerät sorgfältig überprüft und zufriedenstellend in Betrieb genommen haben. Sollten bestimmte Teile der Packliste am Gerät montiert sein, wenden Sie sich unverzüglich an den EGO Kundenservice.

HINWEIS: Mit Ausnahme der Werkzeuge in der unten aufgeführten Packliste sind alle übrigen Werkzeuge, die in der Anleitung genannt werden, lediglich Empfehlungen, jedoch werden sie nicht mitgeliefert.

PACKLISTE (Abb. B)

B-1:	Elektrischer Rasentraktor	B-2	Sitz
B-3	Lenkrad	B-4	Staubkappe
B-5	Ringmaulschlüssel	B-6	18 mm Steckschlüssel
B-7	Sechskantschrauben (1 als Reserve)	B-8	M8 Muttern (1 als Reserve)
B-9	M12 Muttern (1 als Reserve)	B-10	Unterlegscheiben (1 als Reserve)
B-11	Sicherheitsschlüssel	B-12	Schnellkupplung für Schlauchanschluss
B-13	Bedienungsanleitung	B-14	Grasfangsack (mit zwei Schrauben- & Mutternsätze für seitliche Halterungen)
B-15	U-förmige Halterung	B-16	Seitliche Halterung
B-17	Kipphebel	B-18	Linke und rechte Grasfangsack-Halterung
B-19	Querstange	B-20	M8X40 Schraube
B-21	M8X25 Schraube	B-22	M8 Mutter

MONTAGE

LENKRAD MONTIEREN (Abb. C1)

C1-1	Lenksäule	C1-2	Lenkrad
C1-3	Mittelachse	C1-4	Unterlegscheibe
C1-5	Mutter	C1-6	18 mm Steckschlüssel
C1-7	Staubschutz		

SITZ MONTIEREN (Abb. C2)

⚠️ WARNUNG: Die Sicherheitsverriegelung darf weder getrennt noch überbrückt werden. Andernfalls könnte der Traktor unerwartet anlaufen und Verletzungen verursachen.

C2-1	Sitz	C2-2	Mutter (M8)
C2-3	Schraube	C2-4	Buchse
C2-5	Stecker		

MONTAGE DES GRASFANGSACKS (Abb. C3 – C8)

C3-1	U-förmige Halterung	C3-2	Grasfangsack
C3-2	4 Schrauben- & Mutternsätze (M8 X 40)	C3-4	Ringmaulschlüssel
C4-1	Seitliche Halterungen	C4-2	4 Schrauben- & Mutternsätze (M8 X 40)
C4-3	Ringmaulschlüssel	C5-1	Kipphebel
C5-2	1 Schrauben- & Mutternsatz (M8 X 40)	C5-3	Ringmaulschlüssel
C6-1	Grasfangsack-Halterungen	C6-2	4 Schrauben- & Mutternsätze (M8 X 25)
C6-3	Ringmaulschlüssel	C7-1	Querstange
C7-2	2 Muttern (M8)	C7-3	Ringmaulschlüssel

EINSTELLUNG

VOR DER EINSTELLUNG (Abb. D1)

EINSTELLEN DER MÄHDECKHÖHE (Abb. D2)

EINSTELLEN DER STÜTZROLLEN (Abb. D3 – Abb. D6)

D3-1	Stützrollen	D5-1	Mutter
D5-2	Radbolzen	D6-1	Aufkleber Deckhöhe

SITZ EINSTELLEN (Abb. D7)

D7-1	Hebel zur Einstellung der Sitzposition
------	--

BETRIEB

VOR DEM BETRIEB (Abb. E1)

FESTSTELLBREMSE EINSTELLEN (Abb. E2)

E2-1	Bremsposition	E2-2	Bremse gelöst
------	---------------	------	---------------

⚠️ WARNUNG: DAS FESTSTELLBREMSPEDAL KANN DIE FAHRGESCHWINDIGKEIT NICHT VERLANGSAMEN. VERSUCHEN SIE NIEMALS, DAS FESTSTELLBREMSPEDAL ZU BETÄTIGEN, UM DIE FAHRGESCHWINDIGKEIT WÄHREND DER FAHRT ZU VERLANGSAMEN. WENN DAS FESTSTELLBREMSPEDAL BETÄTIGT WIRD, ABER NICHT IN DER BREMSPOSITION EINRASTET, FUNKTIONIERT DIE ELEKTRISCHE BREMSE NICHT MEHR UND DER TRAKTOR STOPPT, WENN ER SICH AUF EINER EBENEN FLÄCHE BEFINDET. WENN DIES JEDOCH AN EINER BÖSCHUNG GESCHIEHT, KANN DER TRAKTOR DIE BÖSCHUNG HINUNTERRUTSCHEN, SOBALD DAS FESTSTELLBREMSPEDAL LOSGELASSEN WIRD.

⚠️ WARNUNG: ZIEHEN SIE DEN VERRIEGELUNGSHEBEL DER FESTSTELLBREMSE NACH OBEN UND BETÄTIGEN SIE SOFORT DAS FESTSTELLBREMSPEDAL, UM ES IN DER BREMSPOSITION EINRASTEN ZU LASSEN. BEI EINEM NOTFALL STOPPT DER TRAKTOR SOFORT UND RUTSCHT NICHT DIE BÖSCHUNG HINUNTER.

ANBRINGEN/ABNEHMEN DES AKKUS (Abb. E3 – E6)

Zum Starten des Traktors werden EGO-Akkus mit mindestens 15 Ah insgesamt (2 X BA4200/BA4200T) oder mehr benötigt. Zum optimalen Mähen empfehlen wir EGO-Akkus mit insgesamt 30 Ah Kapazität oder mehr.

E3-1	Deckelentriegelung	E5-1	Akku-Entriegelungstaste
------	--------------------	------	-------------------------

AUFLADEN DES TRAKTORS

Verwenden Sie nur die empfohlenen Akkus und Ladegeräte.

- Laden Sie den(die) Akku(s) separat auf (Abb. E7)

HINWEIS: Detaillierte Anweisungen finden Sie in den entsprechenden Handbüchern für Akkus und Ladegeräte.

- Laden Sie den(die) Akkupack(s) über den Ladeanschluss auf (Abb. E8 – E10)

E10-1	Staubkappe	E10-2	Ladeanschluss
-------	------------	-------	---------------

PRÜFEN DER SICHERHEITVERRIEGLUNG

- Zum Prüfen des Mähwerksystems (Abb. E11 – E12)
- Zum Prüfen des Antriebssystems (Abb. E13 – E14)

Wenn sich das Mähwerksystem und/oder das Fahrsystem beim Aufstehen vom Sitz nicht abschalten und sich die Ursache nicht feststellen lässt, nachdem der Steckkontakt am Sitz auf korrekte Verbindung überprüft wurde, wenden Sie sich direkt an den EGO Kundenservice.

KOMMUNIKATIONSTECHNIK

Für Informationen oder unser gesamtes Angebot an verbundenen Produkten und Dienstleistungen, einschließlich Verbindungsanweisungen, scannen Sie bitte den QR-Code unten oder besuchen Sie www.egopowerplus.eu/connect.



CHECKLISTE VOR DEM BETRIEB

- Vergewissern Sie sich, dass sich im Arbeitsbereich keine Kinder, Passanten und Haustiere befinden.
- Beseitigen Sie im Arbeitsbereich alle Gegenstände, die von den Messern des Traktors hochgeschleudert werden können.
- Entfernen Sie die Schnittabfälle vom Traktor.
- Prüfen Sie ihn auf lose Befestigungselemente.
- Stellen Sie sicher, dass alle Schutzvorrichtungen angebracht sind und ordnungsgemäß funktionieren.
- Prüfen Sie visuell, ob die Reifen aufgepumpt sind.
- Prüfen Sie die Funktion der Bremse.

- Stellen Sie die Deckhöhe auf die gewünschte Schnittposition ein, die am besten für den Rasen geeignet ist, und stellen Sie die Stützrollen entsprechend ein.
- Passen Sie die Sitzposition an und stellen Sie sicher, dass Sie beide Pedale erreichen können.
- Überprüfen Sie den Ladestand des Akkus.
- Prüfen Sie das Sicherheitsverriegelungssystem.
- Stellen Sie sicher, dass der Grasfangsack richtig angebracht ist.

STARTEN DES TRAKTORS (Abb. E15 – Abb. E16)

⚠️ WARNUNG: Vermeiden Sie plötzliche Starts, Stopps und Wendemanöver sowie überhöhte Geschwindigkeiten, besonders dann, wenn Sie den Umgang mit dem Traktor noch erlernen. Der Traktor kann sich rasch in Bewegung setzen, sodass Sie die Kontrolle verlieren. Dadurch besteht die Gefahr schwerer Verletzungen und/oder Sachschäden.

⚠️ WARNUNG: Stellen Sie vor dem Starten des Traktors sicher, dass die Messer innerhalb von 5 s ausgerückt sind, wenn der Zapfwellenschalter nach unten bewegt wird. Wenn die Messer nicht anhalten, benutzen Sie den Traktor nicht und wenden Sie sich unverzüglich an den EGO-Kundenservice.

ANMERKUNG:

- Wenn das Feststellbremspedal sich in der Bremsposition befindet, müssen Sie nur die Start/Stopp-Taste 3 Sekunden lang gedrückt halten, um das LC-Display aufleuchten zu lassen, und dann das Feststellbremspedal loslassen, bevor Sie den Traktor fahren.
- Die Schneidmesser können jederzeit gestartet werden, wenn das LC-Display vollständig aufleuchtet und der Fahrtrichtungsschalter nicht nach hinten in Richtung „R“ gezogen wird. Informationen zum Einschalten der Messer, während der Traktor rückwärtsfährt, finden Sie im Kapitel „EINSCHALTEN DER MESSER WÄHREND DES RÜCKWÄRTSFAHRENS“ in dieser Bedienungsanleitung.

HINWEIS: Folgen Sie Abb. E17, um die niedrigste Fahrgeschwindigkeit zu erreichen, bis Sie in der Lage sind, den Traktor in allen Situationen zu bedienen.

Der elektrische Rasentraktor speichert die Einstellungen für die Fahrgeschwindigkeit und die Messergeschwindigkeit nicht. Die Fahrgeschwindigkeit und die Messergeschwindigkeit werden jedes Mal auf Stufe 2 zurückgesetzt, wenn der Traktor ausgeschaltet wird.

Einstellen der Fahrgeschwindigkeit (Abb. E17)

Einstellen der Messergeschwindigkeit (Abb. E18)

HINWEIS: Wenn „Stufe 3“ eingestellt ist, drücken Sie die Einstelltaste der Messergeschwindigkeit erneut, und die Messergeschwindigkeit wird auf die vorherige Geschwindigkeit zurückgesetzt.

LED-Leuchten (Abb. E19)

- Die LED-Scheinwerfer können mit dem LED-Lichtschalter ein- und ausgeschaltet werden.

USB-Anschluss

HINWEIS: Der USB-Anschluss stellt eine Ladespannung von 5 Volt DC sowie insgesamt 1,5 A Gesamtlast zur Verfügung und wird nur bei eingeschaltetem Traktor mit Spannung versorgt.

ANHALTEN DES TRAKTORS (Abb. E20)

⚠️ WARNUNG: Stellen Sie das Feststellbremspedal immer in die Bremsposition, wenn der Traktor an einer Böschung stehen bleibt, da der Traktor sonst die Böschung hinunterrutschen kann, was zu schweren Schäden am Traktor oder Verletzungen führen kann!

ANMERKUNG: In einer Situation, in der das Feststellbremspedal in die Bremsposition gestellt ist und der Fahrer vom Sitz abgestiegen ist, aber die Akkus nicht entfernt wurden:

- Wenn das LC-Display ausgeschaltet ist, leuchten die Akkuleuchten, die Start/Stopp-Taste und die CCS-Taste eine Stunde lang.
- Wenn auf dem LC-Display die „Ladestandanzeige“ oder die Bedienoberfläche angezeigt wird, schaltet sich der Traktor nach einer Stunde automatisch ab.

Notbetrieb

Wenn die Akkuladung sehr niedrig ist, wechselt der Traktor in den Notbetrieb-Modus, um für die Rückkehr zum Ladebereich genügend Strom zu sparen.

- Die Messer schalten auf eine niedrige Drehzahl um, sodass nur sehr wenig Gras geschnitten werden kann. Trifft der Traktor auf hohes und dichtes Gras hören die Messer auf, sich zu drehen. Das akustische Signal ertönt in Abständen (Piepton).
- Die Traktorstatusanzeige blinkt jede Sekunde rot, sowohl das Warnsymbol (niedriger Ladestand) als auch das Symbol jedes belegten Akkufachs blinken.

Gehen Sie folgenderweise vor:

- Drücken Sie den Zapfwellenschalter nach unten, um die Messerantriebe auszuschalten. Das akustische Signal schaltet sich aus, wenn die Messerantriebe anhalten.
- Stellen Sie die Arbeit ein und begeben Sie sich sobald wie möglich zum Ladebereich. Der Traktor kann maximal 1000 m zurücklegen.

Wenn der Akku nahezu entladen ist, blinken sowohl das Warnsymbol (niedriger Ladestand) als auch das Symbol jedes belegten Akkufachs alle halbe Sekunde. Der Traktor schaltet sich sofort ab. Sie müssen den Traktor zum Laden in den Ladebereich transportieren.

HINWEIS: Falls das Gerät von Hand angeschoben werden muss, müssen die Akkus vom Traktor getrennt und die Feststellbremse aus der Bremsposition gelöst sein.

FAHREN DES TRAKTORS (Abb. E21)

⚠️ GEFAHR: Halten Sie mindestens zwei Mähstreifen Abstand zu Gräben, Bodenabtragungen oder Gewässer ein. Die Vorderräder können sich beim Anhalten des Traktors drehen, auch wenn die Bremse betätigt wird. Das kann dazu führen, dass der Traktor die Kante überquert oder ins Wasser fährt. Dadurch besteht schwere bis tödliche Verletzungsgefahr.

⚠️ WARNUNG: Fahren Sie mit dem Traktor nicht auf öffentlichen Straßen.

⚠️ WARNUNG: Wenn etwas blockiert oder Sie auf einen Fremdkörper stoßen, halten Sie den Motor an und entfernen Sie die Akkus. Beseitigen Sie Rasenverschnitt, Blätter, Schmutz und sonstige Reste, die sich angehäuft haben. Überprüfen Sie den Traktor gründlich auf Beschädigungen und lassen Sie den Schaden reparieren, bevor Sie den Traktor erneut starten und benutzen.

ANMERKUNG:

- Wenn Sie während der Fahrt den Sitz verlassen, erlischt die Traktorstatusanzeige. Lehnen Sie sich beim Wiederanfahren auf dem Sitz zurück und drücken Sie das Feststellbremspedal bis zum Anschlag durch, damit die Traktorstatusanzeige grün leuchtet.
- Wenn Sie während der Fahrt zwischen Vorwärts- und Rückwärtsgang wechseln, bewegen Sie den Fahrtrichtungsschalter direkt von einem Ende zum anderen, ohne in der Leerlaufstellung zu stoppen, da sich sonst der Traktor möglicherweise nicht mehr bewegt.


VERWENDEN DES TEMPOMATS (CCS)


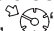
Tempomat (CCS) aktivieren (Abb. E22)

HINWEIS: Die auf dem LC-Display angezeigte Fahrgeschwindigkeitsstufe gibt möglicherweise nicht genau die tatsächliche Fahrgeschwindigkeit des Traktors im Tempomat-Modus wieder. Drücken Sie die Einstelltaste der Fahrgeschwindigkeit, um die Fahrgeschwindigkeitsstufe auf dem LC-Display zu „aktualisieren“.

Um den Tempomaten (CCS) zu deaktivieren (zu beenden), können Sie eine der drei folgenden Methoden wählen:

- Drücken Sie das Gaspedal bis zum Anschlag und halten Sie es gedrückt. Die CCS-Funktion wird deaktiviert und der Traktor fährt weiter.
- Drücken Sie das Gaspedal leicht und lassen Sie es dann los. Der Traktor und die CCS-Funktion stoppen.
- Drücken Sie die CCS-Taste. Der Traktor und die CCS-Funktion stoppen.

HINWEIS: Wenn der Tempomat (CCS) deaktiviert wird, verschwindet das Symbol „“ vom LC-Display und es ertönt zweimal ein Piepton.

HINWEIS: Wenn das Feststellbremspedal betätigt wird, stoppt der Traktor, aber das Symbol „“ blinkt auf dem LC-Display, um anzuzeigen, dass sich der Tempomat im Standby-Modus befindet. Lassen Sie in diesem Fall das Feststellbremspedal los und drücken Sie die CCS-Taste. Der Traktor fährt automatisch weiter und das Symbol „“ hört auf zu blinken.

EINSCHALTEN DER MESSER WÄHREND DES RÜCKWÄRTSFAHRENS

HINWEIS: Das Mähen im Rückwärtsgang wird nicht empfohlen.

⚠️ WARNUNG: Seien Sie beim Rückwärtsmähen äußerst vorsichtig. Achten Sie vor und während des Mähens im Rückwärtsgang immer darauf, dass keine Personen in den Arbeitsbereich kommen, insbesondere kleine Kinder.

⚠️ WARNUNG: Die Sicht der Bediener könnte beim Betrieb des Traktors mit montiertem Grasfangsack beeinträchtigt werden. Machen Sie sich vor dem Mähen im Rückwärtsgang mit der Umgebung sorgfältig vertraut und lassen Sie während des Mähens große Vorsicht walten.



MÄHEN IM RÜCKWÄRTSGANG aktivieren (E23)

Um das Mähen im Rückwärtsgang zu stoppen (beenden), können Sie eine der vier folgenden Methoden wählen:

- Drücken Sie einmal die RÜCKWÄRTSMÄHEN-Taste.
- Stehen Sie vom Traktorsitz auf.
- Drücken Sie die Start/Stopp-Taste für 3 Sekunden, um das LC-Display auszuschalten.
- Ziehen Sie den Sicherheitsschlüssel ab oder entfernen Sie den(die) Akku(s), um den Traktor abzuschalten.

HINWEIS: Wenn das MÄHEN IM RÜCKWÄRTSGANG gestoppt ist, leuchtet das Symbol „“ auf dem LC-Display auf.

ENTLEEREN DES GRASFANGSACKS (Abb. E24)

HINWEIS: Wenn das Symbol „“ auf dem LC-Display blinkt, ist der Grasfangsack voll. Nachdem der Grasfangsack geleert wurde, verschwindet das Symbol „“ vom LC-Display.

HINWEIS: Der Grasfangsack sollte ordnungsgemäß am Traktor wieder angebracht werden, da sonst der Traktor zwar gefahren werden kann, aber die Messermotoren nicht eingeschaltet werden können.

WARTUNG

⚠️ WARNUNG: Tragen Sie immer eine Schutzbrille mit Seitenschutz. Andernfalls besteht schwere Verletzungsgefahr, wenn Gegenstände in Ihre Augen geschleudert werden.

⚠️ WARNUNG: Schützen Sie stets Ihre Hände, indem Sie Handschuhe tragen oder die Schneidkanten mit Lumpen oder anderen Materialien umwickeln, wenn Sie Wartungsarbeiten am Traktormesser durchführen. Entfernen Sie immer den Sicherheitsschlüssel und die Akkus, wenn Sie den Traktor instandsetzen oder transportieren.

EMPFOHLENER WARTUNGSPLAN

Wartungsintervalle	Wartungsanweisungen
Vor jedem Gebrauch oder täglich	<ul style="list-style-type: none"> ■ Prüfen Sie die Sicherheitsverriegelung. ■ Prüfen Sie visuell, ob die Reifen aufgepumpt sind. ■ Überprüfen Sie das Messer. ■ Überprüfen Sie das gesamte Gerät auf beschädigte, fehlende oder lockere Teile, wie z. B. der Seitenauswurf, Schrauben, Muttern, Kappen usw. Alle Schutzvorrichtungen müssen montiert sein und korrekt funktionieren. ■ Prüfen und stellen Sie sicher, dass das Gaspedal richtig gedrückt und gelöst werden kann. ■ Prüfen Sie den Lenkraddämpfer. Das Lenkrad sollte mit einem gewissen Widerstand gedreht werden.
Nach jedem Gebrauch	<ul style="list-style-type: none"> ■ Reinigen Sie den Traktor und waschen Sie das Deck.
Alle 25 h	<ul style="list-style-type: none"> ■ Prüfen Sie den Reifendruck.
Alle 100 h	<ul style="list-style-type: none"> ■ Überprüfen Sie die Hinterräder. Alle Radmutter müssen mit dem empfohlenen Anzugsmoment (101 - 103 Nm) festgezogen sein. ■ Überprüfen Sie die Vorderräder. Die Mutter muss mit dem empfohlenen Anzugsmoment (90 - 92 Nm) festgezogen sein.
Alle 200 h	<ul style="list-style-type: none"> ■ Kontrollieren Sie, ob sich die Vorderräder frei drehen können.
Alle halbe Jahre	<ul style="list-style-type: none"> ■ Überprüfen Sie das Feststellbremspedal. Entfernen Sie den Akku aus dem Traktor, ziehen Sie dann den Verriegelungshebel der Feststellbremse nach oben und betätigen Sie das Feststellbremspedal, um die Feststellbremse zu aktivieren. Schieben Sie den Traktor manuell vorwärts, um zu sehen, ob der Traktor bewegt werden kann, ohne dass sich die Hinterräder drehen. Wenn sich der Traktor bewegt und sich die Hinterräder währenddessen drehen, wenden Sie sich bitte zwecks Reparatur an den EGO-Kundendienst.
Vor der Lagerung	<ul style="list-style-type: none"> ■ Nehmen Sie die Akkus aus dem Traktor. ■ Entfernen Sie den Sicherheitsschlüssel von dem Traktor. ■ Führen Sie alle oben aufgeführten Wartungsarbeiten durch und reinigen Sie den Traktor gründlich. ■ Überprüfen Sie das gesamte Produkt auf beschädigte, fehlende oder gelockerte Teile, ersetzen oder ziehen Sie die entsprechenden Teile vor der Lagerung fest.
Jährlich	<ul style="list-style-type: none"> ■ Schmieren Sie die Wellenhülsen der Vorderräder.

ALLGEMEINE WARTUNG

Ausschütten des Grases (Abb. F1 – F3)

Reinigen des Traktorgehäuses (Abb. F4)

Verwendung des Schlauchanschlusses zum Reinigen des Traktordecks (Abb. F5 – F6)

F5-1	Schlauchanschluss	F5-2	Schnellkupplung für Schlauchanschluss
F5-3	Gartenschlauch		

HINWEIS: Wenn Sie mit der Reinigung fertig sind, schalten Sie den Traktor vollständig aus und entfernen Sie dann den Gartenschlauch und die Schnellkupplung.

WARTEN DES TRAKTORDECKS UND DER SCHNEIDMESSER

Vorbereitung (Abb. G1)

Entfernen des Traktordecks (Abb. G2 – G3)

G2-1	Motorkabel	G2-2	Splint
G2-3	Federungsgestänge		

Auswechseln der Schneidmesser (Abb. G4 – G6)

G4-1	Stabilisator	G5-1	Schraube
G5-2	Unterlegscheibe	G5-3	Messer
G5-4	Flansch	G5-5	Antriebswelle

Traktordeck nivellieren

a. Wann muss nivelliert werden (Abb. G7 / Abb. G8 / Abb. G9)

b. Vor dem Nivellieren

- Kalten Reifendruck prüfen (Abb. G10)
- Prüfen Sie die Messer. Abgenutzte, gerissene und/oder verzogene Messer müssen ggf. ausgetauscht werden.

c. Vorbereitung zum Nivellieren (Abb. G11)

d. Anweisung zum Nivellieren

- Nivellieren von einer Seite zur anderen (Abb. G12)
- Nivellieren von vorn nach hinten (Abb. G13)

LAGERUNG UND TRANSPORT

DE

TRANSPORTIEREN DES TRAKTORS (Abb. H1 – H5)

H2-1	Schrägen	H2-2	Bänder
------	----------	------	--------

HINWEIS: Verzurren Sie den Traktor nach Bedarf mit Riemen oder Gurten, um ein Wegrutschen während des Transports zu verhindern.

LAGERUNG (Abb. I1 – I2)

HINWEIS: Entfernen und lagern Sie den(die) Akku(s) separat, siehe die entsprechenden Handbücher.

Reinigen und prüfen Sie den Traktor vor dem Einlagern. Beachten Sie dazu die Kapitel „**ALLGEMEINE WARTUNG**“ und „**EMPFOHLENER WARTUNGSPLAN**“.

Schutz der Umwelt




WEEE-Altgeräteverordnung - Elektro-Altgeräte, verbrauchte Akkus und Ladegeräte dürfen nicht im Hausmüll entsorgt werden! Das Gerät muss einer offiziellen Recycling-Sammelstelle zur getrennten Entsorgung zugeführt werden. Elektrowerkzeuge müssen bei einem umweltfreundlichen Recycling-Betrieb abgegeben werden.



STÖRUNGSBEHEBUNG

DE

PROBLEM	URSACHE	LÖSUNG
Der elektrische Rasentraktor fährt nicht, wenn das Gaspedal betätigt wird.	<ul style="list-style-type: none"> Die Gesamtkapazität der Akkus entspricht nicht der Anforderung. 	<ul style="list-style-type: none"> Um diesen Traktor zu starten, verwenden Sie genügend EGO-Akkus gemäß den Anweisungen im Abschnitt „ANBRINGEN/ENTFERNEN DES AKKUPACKS“ in dieser Bedienungsanleitung.
	<ul style="list-style-type: none"> Das Feststellbremspedal steht in der Bremsposition. 	<ul style="list-style-type: none"> Drücken Sie das Feststellbremspedal bis zum Anschlag durch, um es aus der Bremsposition zu lösen.
	<ul style="list-style-type: none"> Die Traktorstatusanzeige leuchtet nicht grün. 	<ul style="list-style-type: none"> Betätigen Sie das Feststellbremspedal und lassen Sie es dann los. Die Traktorstatusanzeige leuchtet grün. Das bedeutet, dass der Traktor startbereit ist.
	<ul style="list-style-type: none"> Der Bediener ist nicht auf dem Sitz. 	<ul style="list-style-type: none"> Der Traktor kann nur betrieben werden, wenn der Fahrer richtig auf dem Sitz sitzt.
	<ul style="list-style-type: none"> Die Sitzsicherheitsverriegelung ist nicht richtig verbunden. 	<ul style="list-style-type: none"> Entfernen Sie die Akkus aus dem Traktor und heben Sie die Rückenlehne des Sitzes an, um sicherzustellen, dass der Kabelstecker richtig mit der Buchse an der Unterseite des Sitzes verbunden ist (siehe Kapitel „MONTAGE DES SITZES“). Befolgen Sie die Anweisungen unter „STARTEN DES TRAKTORS“, um den Traktor neu zu starten und zu sehen, ob der Traktor startet. Falls nicht, wenden Sie sich zwecks Reparatur an einen EGO-Kundendienst.
	<ul style="list-style-type: none"> Bei extrem kaltem Wetter lässt sich der Fahrbetrieb aufgrund des Tieftemperaturschutzes möglicherweise nicht starten. 	<ul style="list-style-type: none"> Bewahren Sie den Traktor und die Akkus immer in warmer Umgebung auf. Starten Sie den Traktor wieder, wenn er aufgewärmt ist. Unternehmen Sie bei extremer Kälte keine wiederholten Startversuche. Dadurch könnte das Gerät beschädigt werden.
	<ul style="list-style-type: none"> Der Pedalweg des Gaspedals wird durch Schnittabfälle blockiert. 	<ul style="list-style-type: none"> Überprüfen und entfernen Sie Schmutz und Schnittabfälle.
	<ul style="list-style-type: none"> Ausfall mechanischer oder elektronischer Komponenten des Gaspedals. 	<ul style="list-style-type: none"> Wenden Sie sich zwecks Reparatur an einen EGO-Kundendienst.
<ul style="list-style-type: none"> Der Fahrtrichtungsschalter befindet sich in der Leerlauf-Position. 	<ul style="list-style-type: none"> Drücken/ziehen Sie den Fahrtrichtungsschalter in Richtung „D“ oder „R“. 	

PROBLEM	URSACHE	LÖSUNG
Der elektrische Rasentraktor hält an.	<ul style="list-style-type: none"> Beim Umschalten zwischen Vorwärts- und Rückwärtsgang während der Fahrt bleibt der Fahrtrichtungsschalter lange in der Leerlauf-Stellung. 	<ul style="list-style-type: none"> Lassen Sie das Gaspedal los und drücken Sie es dann wieder.
	<ul style="list-style-type: none"> Ausfall der elektronischen Komponenten des Gaspedals. 	<ul style="list-style-type: none"> Wenden Sie sich zwecks Reparatur an einen EGO-Kundendienst.
	<ul style="list-style-type: none"> Die Sicherheitsverriegelung des Sitzes wurde während der Fahrt in unwegsamem Gelände getrennt. 	<ul style="list-style-type: none"> Entfernen Sie die Akkus aus dem Traktor und heben Sie die Rückenlehne des Sitzes an, um sicherzustellen, dass der Kabelstecker richtig mit der Buchse an der Unterseite des Sitzes verbunden ist (siehe Kapitel „MONTAGE DES SITZES“). Befolgen Sie die Anweisungen unter „STARTEN DES TRAKTORS“, um den Traktor neu zu starten und zu sehen, ob der Traktor startet. Falls nicht, wenden Sie sich zwecks Reparatur an einen EGO-Kundendienst.
	<ul style="list-style-type: none"> Das Gewicht des Bedieners ist nicht gleichmäßig auf dem Sitz verteilt. Das Gewicht des Bedieners auf dem Sitz muss mindestens 20 kg betragen, damit das Sicherheitsverriegelungssystem des Sitzes ordnungsgemäß funktioniert. 	<ol style="list-style-type: none"> Setzen Sie sich richtig auf den Sitz, drücken Sie das Feststellbremspedal vollständig nach unten und lassen Sie es los, dann ist der Traktor fahrbereit. Falls notwendig, trennen Sie die Akkus und bringen Sie sie wieder an.
	<ul style="list-style-type: none"> Wenn das Feststellbremspedal ausreichend gedrückt ist, aber nicht in der Bremsposition eingerastet ist, stoppt der Traktor. 	<ul style="list-style-type: none"> Befolgen Sie die Anweisungen unter „STARTEN DES TRAKTORS“, um den Traktor neu zu starten.
Der elektrische Rasentraktor startet die Messer nicht, wenn der Zapfwellenschalter aktiviert wird.  Das Zapfwellenschalter-Symbol blinkt	<ul style="list-style-type: none"> Die Gesamtkapazität der Akkus entspricht nicht der Anforderung. 	<ul style="list-style-type: none"> Um diesen Traktor zu starten, verwenden Sie genügend EGO-Akkus gemäß den Anweisungen im Abschnitt „ANBRINGEN/ENTFERNEN DES AKKUPACKS“ in dieser Bedienungsanleitung.
	<ul style="list-style-type: none"> Der Zapfwellenschalter wurde nicht gedrückt, als der Traktor das letzte Mal ausgeschaltet wurde. 	<ul style="list-style-type: none"> Drücken Sie den Zapfwellenschalter nach unten und dann nach oben, um die Messerantriebe neu zu starten.
	<ul style="list-style-type: none"> Der Traktor ist in dem Moment überlastet, in dem sich die Messer zu drehen beginnen, wodurch der Selbstschutz der Messermotoren ausgelöst wird. 	<ul style="list-style-type: none"> Beginnen Sie zunächst mit niedriger Messergeschwindigkeit zu mähen. Erhöhen Sie die Schnittgeschwindigkeit erst, wenn sich die Messer frei drehen.
	<ul style="list-style-type: none"> Bei extrem kaltem Wetter startet der Messerantrieb unter Umständen nicht aufgrund des Tieftemperaturschutzes. 	<ul style="list-style-type: none"> Bewahren Sie den Traktor und die Akkus immer in warmer Umgebung auf. Starten Sie den Traktor wieder, wenn er aufgewärmt ist. Unternehmen Sie bei extremer Kälte keine wiederholten Startversuche. Dadurch könnte das Gerät beschädigt werden.
	<ul style="list-style-type: none"> Das Messer schlägt am verformten Traktordeck an. 	<ul style="list-style-type: none"> Wenden Sie sich zwecks Reparatur an einen EGO-Kundendienst.
	<ul style="list-style-type: none"> Der Grasfangsack ist nicht korrekt angebracht. 	<ul style="list-style-type: none"> Bringen Sie den Grasfangsack ordnungsgemäß an, wie in Kapitel „ANBRINGEN DES GRASFANGSACKS“ in der Bedienungsanleitung beschrieben.

PROBLEM	URSACHE	LÖSUNG
Die Messer hören auf, sich während des Mähens zu drehen.	<ul style="list-style-type: none"> Der Traktor ist überlastet. 	<ul style="list-style-type: none"> Stellen Sie die Schnitthöhe des Traktordecks höher ein oder verringern Sie die Fahrgeschwindigkeit, um die Belastung des Geräts zu verringern.
	<ul style="list-style-type: none"> Das Deck wird durch Grasschnitt und Ablagerungen blockiert. 	<ul style="list-style-type: none"> Reinigen Sie das Deck und stellen Sie sicher, dass sich die Messer frei drehen können.
	<ul style="list-style-type: none"> Der Traktor ist überhitzt. 	<ul style="list-style-type: none"> Verringern Sie die Gerätebelastung, indem Sie die Schnitthöhe des Traktordecks erhöhen oder die Messer-/Fahrgeschwindigkeit verringern und den Traktor abkühlen lassen.
	<ul style="list-style-type: none"> Der(die) Akku(s) im Akkufach des Traktors sind überhitzt. Das führt dazu, dass die Gesamtkapazität aller eingesetzten Akkus nicht die Anforderungen erfüllt. 	<ol style="list-style-type: none"> Der Traktor kann weiter eingesetzt werden, wenn die Gesamtkapazität der Akkus die Anforderung erfüllt. Davon sind die überhitzten Akkuzellen ausgenommen. Wenn der überhitzte Akku wieder auf normale Temperatur abgekühlt ist, wird er sofort wieder an der Spannungsversorgung des Traktors beteiligt. Wenn die Gesamtkapazität der Akkus nicht die Anforderungen erfüllt, startet der Traktor erst, wenn weitere Akkupacks in die leeren Akkufächer eingesetzt werden. Verringern Sie die Belastung des Traktors, indem Sie die Schnitthöhe des Decks höher stellen oder langsamer fahren, wenn Sie den Betrieb wieder fortsetzen.
	<ul style="list-style-type: none"> Der Traktor befindet sich im Notbetrieb. 	<ul style="list-style-type: none"> Wenn sich der Traktor im Notbetrieb befindet, werden die Messer automatisch auf eine niedrige Umdrehungszahl gedrosselt. Stellen Sie die Arbeit ein und fahren Sie sobald wie möglich zum Akkuladebereich.
	<ul style="list-style-type: none"> Der Traktor wird von einem Fremdkörper getroffen, was die Selbstschutzfunktion des Motors auslöst. 	<ul style="list-style-type: none"> Drücken Sie den Zapfwellenschalter nach unten und dann nach oben, um die Messerantriebe neu zu starten.
	<ul style="list-style-type: none"> Der Traktor fährt rückwärts, wobei das „MÄHEN IM RÜCKWÄRTSGANG AUS“-Symbol auf dem LC-Display aufleuchtet. 	<ul style="list-style-type: none"> Drücken Sie den Zapfwellenschalter nach unten und starten Sie die Messermotoren neu, indem Sie die Anweisungen im Kapitel „MÄHEN IM RÜCKWÄRTSGANG aktivieren“ befolgen.
Das akustische Signal schaltet sich nicht aus.	<ul style="list-style-type: none"> Der Traktor befindet sich im Notbetrieb und die Messer sind abgeschaltet. 	<ul style="list-style-type: none"> Drücken Sie den Zapfwellenschalter nach unten, um die Messerantriebe auszuschalten. Das akustische Signal verstummt, wenn die Messerantriebe ausgeschaltet sind.
	<ul style="list-style-type: none"> Der Traktor hält beim Befahren einer Böschung an und der Bediener steht von seinem Sitz auf, ohne das Feststellbremspedal in die Bremsposition zu bewegen. 	<ul style="list-style-type: none"> Stellen Sie das Feststellbremspedal in die Bremsposition, bevor Sie den Traktor auf der Böschung stehen lassen.

PROBLEM	URSACHE	LÖSUNG
Die Akkuleuchten sind weiterhin eingeschaltet, wenn der Traktor ausgeschaltet ist.	<ul style="list-style-type: none"> ■ Wenn der Traktor auf ebenem Boden ausgeschaltet wird, ohne dass der(die) Akku(s) aus dem Traktor entfernt werden, leuchten die Akkuleuchten noch eine Weile. 	<ul style="list-style-type: none"> ■ Keine Maßnahmen erforderlich. Die Akkuleuchten schalten sich aus, wenn sich der Traktor nach einer gewissen Zeit abschaltet. Siehe Abschnitt „STOPPEN DES TRAKTORS“ für eine bestimmte Zeit.
	<ul style="list-style-type: none"> ■ Wenn der Traktor an einer Böschung ausgeschaltet wird, ohne die Feststellbremse anzuziehen, bleiben die Akkuleuchten eingeschaltet, bis die Akkus entladen sind. Das akustische Signal ertönt zur gleichen Zeit. 	<ul style="list-style-type: none"> ■ Stellen Sie das Feststellbremspedal in die Bremsposition, bevor Sie den Traktor auf der Böschung stehen lassen. Andernfalls kann der Traktor die Böschung hinunterrutschen.
Im LC-Display leuchten nicht alle Symbole auf.	<ul style="list-style-type: none"> ■ Die Start/Stopp-Taste wurde nicht ausreichend lange gedrückt. 	<ol style="list-style-type: none"> 1. Im LC-Display wird bei kurzer Betätigung der Start/Stopp-Taste die „Ladestandanzeige“ angezeigt. 2. Das LC-Display schaltet sich ein, nachdem Sie das Feststellbremspedal vollständig durchgedrückt und gleichzeitig die Start/Stopp-Taste ausreichend lange gedrückt haben.
	<ul style="list-style-type: none"> ■ Wenn das Sicherheitsschlüssel-Symbol „“ auf dem LC-Display blinkt, ist der Sicherheitsschlüssel nicht eingesteckt. 	<ul style="list-style-type: none"> ■ Stecken Sie den Sicherheitsschlüssel ein, drücken Sie dann das Feststellbremspedal bis zum Anschlag durch und halten Sie gleichzeitig die Start/Stopp-Taste so lange gedrückt, bis sich das LC-Display einschaltet.
	<ul style="list-style-type: none"> ■ Wenn das Feststellbremsen-Symbol „“ auf dem LC-Display blinkt, ist das Feststellbremspedal nicht vollständig durchgedrückt. 	<ul style="list-style-type: none"> ■ Stecken Sie den Sicherheitsschlüssel ein, drücken Sie dann das Feststellbremspedal bis zum Anschlag durch und halten Sie gleichzeitig die Start/Stopp-Taste so lange gedrückt, bis sich das LC-Display einschaltet.
Der Traktor mäht durch den beträchtlichen Höhenunterschied zwischen vorn und hinten ungleichmäßig.	<ul style="list-style-type: none"> ■ Die Messer sind stumpf. 	<ul style="list-style-type: none"> ■ Schleifen oder ersetzen Sie die Messer wie in dieser Bedienungsanleitung erläutert.
	<ul style="list-style-type: none"> ■ Die Messer sind verbogen. 	<ul style="list-style-type: none"> ■ Zum Austauschen eines verbogenen Messers befolgen Sie die Anweisungen im Kapitel „Messer auswechseln“.
	<ul style="list-style-type: none"> ■ Das Traktordeck ist nicht nivelliert, sodass die Höhe der Messer unterschiedlich ist. 	<ul style="list-style-type: none"> ■ Zum Nivellieren des Decks befolgen Sie die Anweisungen im Kapitel „Deck nivellieren“.
Die tatsächliche Schnitthöhe stimmt nicht mit der angegebenen Höhe überein.	<ul style="list-style-type: none"> ■ Am Federungsgestänge haben sich die Befestigungsmuttern des Decks gelöst 	<ul style="list-style-type: none"> ■ Um den Höhenunterschied des Traktordecks zwischen vorn und hinten korrekt einzustellen, befolgen Sie die Anweisungen im Kapitel „Deck nivellieren“ und ziehen Sie die Muttern am Federungsgestänge fest.
	<ul style="list-style-type: none"> ■ Das Deck ist beschädigt oder stark abgenutzt. 	<ul style="list-style-type: none"> ■ Befolgen Sie die Anweisungen im Kapitel „Entfernen des Decks“, um das Traktordeck austauschen zu lassen.
Der Traktor mulcht nicht richtig.	<ul style="list-style-type: none"> ■ An der Unterseite des Mähwerks haftet feuchtes Schnittgut. 	<ul style="list-style-type: none"> ■ Mit dem Mähen warten, bis der Rasen trocken ist.
	<ul style="list-style-type: none"> ■ Der Traktor ist so eingestellt, dass er eine zu große Menge Gras auf einmal mäht. 	<ul style="list-style-type: none"> ■ Stellen Sie am Mähdeck eine größere Schnitthöhe ein.

PROBLEM	URSACHE	LÖSUNG
Sehr starke Vibrationen.	<ul style="list-style-type: none"> Die Messer wackeln. 	<ul style="list-style-type: none"> Ziehen Sie die Befestigungsschraube für das Messer mit dem empfohlenen Drehmoment fest.
	<ul style="list-style-type: none"> Die Messer sind verbogen. 	<ul style="list-style-type: none"> Zum Austauschen eines verbogenen Messers befolgen Sie die Anweisungen im Kapitel „Messer auswechseln“.
	<ul style="list-style-type: none"> Das Deck ist nicht nivelliert. 	<ul style="list-style-type: none"> Zum Nivellieren des Traktordecks befolgen Sie die Anweisungen im Kapitel „Deck nivellieren“.
	<ul style="list-style-type: none"> Am Federungsgestänge haben sich die Befestigungsmuttern des Decks gelöst. 	<ul style="list-style-type: none"> Ziehen Sie die Muttern am Federungsgestänge fest.
	<ul style="list-style-type: none"> Das Deck ist so eingestellt, dass er eine zu große Menge Gras auf einmal mäht. 	<ul style="list-style-type: none"> Stellen Sie am Mähdeck eine größere Schnitthöhe ein.
Nach dem Mähen liegen noch Rasen- oder Schnittreste auf dem Boden.	<ul style="list-style-type: none"> Das Mähdeck ist so eingestellt, dass es zu viel auf einmal abmäht, wenn der Rasen hoch gewachsen ist. 	<ul style="list-style-type: none"> Fangen Sie mit einer hohen Schnitthöhe an und verringern Sie sie, bis das gewünschte Mähergebnis erreicht ist. Ein mehr als 152 mm hoher Rasen sollte zweimal gemäht werden. Dabei muss die Schnitthöhe bei jedem Mal verringert werden.
	<ul style="list-style-type: none"> Der Rasen ist nass. 	<ul style="list-style-type: none"> Mähen Sie nicht, wenn das Gras nass ist. Warten Sie, bis das Gras getrocknet ist.
	<ul style="list-style-type: none"> Die Fahrgeschwindigkeit ist hoch. 	<ul style="list-style-type: none"> Fahren Sie langsamer.
	<ul style="list-style-type: none"> Die Messergeschwindigkeit ist zu niedrig. 	<ul style="list-style-type: none"> Erhöhen Sie die Messergeschwindigkeit allmählich.
Kurze Laufzeit des Traktors mit den mitgelieferten Akkus.	<ul style="list-style-type: none"> Rasengelände, Grasbedingungen, Einstellung der Schnitthöhe, Fahrgeschwindigkeit, Messergeschwindigkeit usw. wirken sich stark auf die Betriebszeit aus. 	<ul style="list-style-type: none"> Vergrößern Sie die Schnitthöhe am Mähdeck und verringern Sie die Messergeschwindigkeit, um die Belastung beim Mähen zu drosseln.
Der Traktor bleibt nicht in der Spur.	<ul style="list-style-type: none"> Die Reifendrucke der linken und rechten Räder sind unterschiedlich. 	<ul style="list-style-type: none"> Prüfen und korrigieren Sie den Luftdruck der Vorder- und Hinterräder entsprechend den Empfehlungen im Kapitel „TECHNISCHE DATEN“ in dieser Bedienungsanleitung.
Das Feststellbremspedal lässt sich nicht aus der Bremsposition lösen oder federt nur sehr langsam zurück.	<ul style="list-style-type: none"> Der Pedalweg der Feststellbremse ist mit Schnittabfällen verstopft. 	<ul style="list-style-type: none"> Überprüfen und entfernen Sie Schmutz und Schnittabfälle.
Wenn die Traktorstatusanzeige rot leuchtet, lässt sich der Traktor nicht über den Ladeanschluss aufladen.	<ul style="list-style-type: none"> Der Stecker des Ladegeräts wurde nicht korrekt in den Ladeanschluss des Traktors gesteckt. 	<ul style="list-style-type: none"> Schließen Sie den Ladestecker erneut an, um festzustellen, ob sich der Traktor normal aufladen lässt.
	<ul style="list-style-type: none"> Die Steckdose führt keinen Strom. 	<ul style="list-style-type: none"> Keine Maßnahmen erforderlich. Warten Sie, bis wieder Strom fließt.
	<ul style="list-style-type: none"> Störung des Ladegeräts. 	<ul style="list-style-type: none"> Bitte wenden Sie sich an EGO Kundendienst und lassen Sie das Ladegerät von einem(einer) qualifizierten Servicetechniker(in) überprüfen und/oder bei Bedarf reparieren.
	<ul style="list-style-type: none"> Der Ladeanschluss am Traktor ist defekt. 	<ul style="list-style-type: none"> Wenden Sie sich bitte zwecks Reparatur an einen EGO-Kundendienst.
Die Ladedauer über den Ladeanschluss am Traktor ist zu lang.	<ul style="list-style-type: none"> Das Aufladen mit dem EGO Netzteil ACA1000 dauert sehr lange. 	<ul style="list-style-type: none"> Verwenden Sie das EGO Ladegerät CHV1600E, um den Elektrotraktor direkt aufzuladen.
Die Akkus können nicht vollständig über den Ladeanschluss des Traktors aufgeladen werden.	<ul style="list-style-type: none"> Firmware-Fehler des Traktors oder des Akkus oder Ausfall des Ladegeräts. 	<ul style="list-style-type: none"> Setzen Sie das Ladegerät zurück, indem Sie den Stecker des Ladegeräts ziehen und einige Minuten warten. Schließen Sie den Hub danach wieder an. Wenn das Problem dadurch nicht behoben wird, rufen Sie den EGO-Kundendienst an.

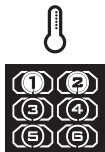


PROBLEM	URSACHE	LÖSUNG
Der Traktor startet nach dem Reinigen nicht.	<ul style="list-style-type: none"> ■ Unsachgemäße Reinigung, z. B. Wasser, das auf elektrische Bauteile, wie z. B. das LC-Display usw. gelangt ist. 	<ol style="list-style-type: none"> 1. Folgen Sie den Anweisungen im Abschnitt „ALLGEMEINE WARTUNG“, um den Traktor ordnungsgemäß zu reinigen. 2. Falls der Traktor versehentlich im Regen nass geworden ist, lassen Sie ihn trocknen oder blasen Sie ihn mit Druckluft trocken.
Das Deck verstopft schnell.	<ul style="list-style-type: none"> ■ Das Deck wurde nach dem vorherigen Gebrauch nicht richtig gereinigt. 	<ul style="list-style-type: none"> ■ Reinigen Sie das Traktordeck nach jedem Gebrauch wie im Kapitel „Schlauchanschluss zum Reinigen des Decks verwenden“ beschrieben.
Der Traktor gerät beim Hochfahren einer Böschung leicht aus der Spur.	<ul style="list-style-type: none"> ■ Die Reifen der Hinterräder sind abgenutzt. ■ Mähen an einer steilen Böschung. 	<ul style="list-style-type: none"> ■ Lassen Sie die Bereifung bei einem Kundendienst vor Ort wechseln. ■ Der Traktor sollte nicht verwendet werden, um Hänge zu mähen, die steiler als in diesem Handbuch angegeben sind.
Wenn der Traktor an einer Böschung mit durchgetretenem Feststellbremspedal angehalten wird, kann der Traktor die Böschung hinunterrollen.	<ul style="list-style-type: none"> ■ Durch einen ungeeigneten Einsatz des Traktors sind die Bremssteile extrem abgenutzt. 	<ul style="list-style-type: none"> ■ Wenden Sie sich zwecks Reparatur an einen EGO-Kundendienst.
Aus dem Schlauchanschluss kommt kein Wasser zum Reinigen des Mähdecks.	<ul style="list-style-type: none"> ■ Die Schnellkupplung ist nicht ordnungsgemäß mit dem Schlauchanschluss verbunden. 	<ul style="list-style-type: none"> ■ Schieben Sie die Schnellkupplung fest auf den Schlauchanschluss, bis sie hörbar einrastet. Wenn dies nicht funktioniert, rufen Sie den EGO-Kundendienst an.
Ein ungewöhnliches Geräusch ist zu hören, wenn der Traktor manuell geschoben wird, ohne gestartet zu werden.	<ul style="list-style-type: none"> ■ Das Geräusch kommt von den Magneten im Antriebsmotor. 	<ul style="list-style-type: none"> ■ Das ist normal und es muss nichts unternommen werden.
Das Lenkrad kann nicht gedreht werden.	<ul style="list-style-type: none"> ■ Die Lenkradeinheit ist durch Schnittabfälle und Schmutz verstopft. 	<ul style="list-style-type: none"> ■ Überprüfen und entfernen Sie Schmutz und Schnittabfälle.
Der Traktor fährt nicht nach links/rechts, wenn das Lenkrad gedreht wird.	<ul style="list-style-type: none"> ■ Ausfall von elektronischen oder mechanischen Komponenten. 	<ul style="list-style-type: none"> ■ Wenden Sie sich zwecks Reparatur an einen EGO-Kundendienst.
Der Traktor stoppt nicht, wenn das Gaspedal losgelassen wird.	<ul style="list-style-type: none"> ■ Der Rückweg des Gaspedals wird durch Schnittabfälle blockiert. 	<ul style="list-style-type: none"> ■ Überprüfen und entfernen Sie Schmutz und Schnittabfälle.
	<ul style="list-style-type: none"> ■ Die CCS-Taste wurde während der Fahrt unbeabsichtigt gedrückt. Der Traktor befindet sich im Tempomat-Modus. 	<ul style="list-style-type: none"> ■ Überprüfen Sie, ob das CCS-Symbol auf dem LC-Display leuchtet, und beenden Sie den CCS-Modus gegebenenfalls. Siehe Abschnitt „VERWENDEN DES TEMPOMATS (CCS)“.
Die CCS-Funktion kann nicht aktiviert oder ausgeschaltet werden.	<ul style="list-style-type: none"> ■ Die CCS-Taste wurde nicht richtig gedrückt. 	<ul style="list-style-type: none"> ■ Drücken Sie die CCS-Taste, bis das CCS-Symbol auf dem LC-Display leuchtet oder nicht mehr auf dem LC-Display erscheint.
Die Vorderräder des Traktors drehen sich mit ungewöhnlichen Geräuschen.	<ul style="list-style-type: none"> ■ Die Wellenhülsen der Vorderräder müssen geschmiert werden. 	<ul style="list-style-type: none"> ■ Entfernen Sie die Akkus und füllen Sie dann die Einspritzöffnungen mit Schmierfett, bis das Fett über die Oberkante oder Unterkante der Wellenhülsen der Vorderräder läuft.

TRAKTORSTATUSANZEIGE

DE

Anzeige auf dem LCD	Beschreibung	Traktorstatus-anzeige	Audio-Anzeige	Ursache	Lösung
	Ladestand-Symbol	AUS	Nein	Gibt die durchschnittliche Ladekapazität der eingesetzten Akkus an.	Dies ist ein normaler Vorgang. Keine Maßnahmen erforderlich.
	Betriebsstundenzähler-Symbol	AUS	Nein	Zeigt die Fahrdauer des Traktors insgesamt in Stunden an; kann nicht zurückgesetzt werden.	Dies ist ein normaler Vorgang. Keine Maßnahmen erforderlich.
	Lastanzeige-Symbol	AUS	Nein	Gibt die aktuelle Last des Traktors an.	Dies ist ein normaler Vorgang. Keine Maßnahmen erforderlich.
	Das LED-Licht-Symbol leuchtet auf dem LC-Display auf.	AUS	Nein	Die Scheinwerfer werden über den LED-Lichtschalter eingeschaltet.	Dies ist ein normaler Vorgang. Keine Maßnahmen erforderlich.
	Bluetooth-Symbol leuchtet auf dem LC-Display auf.	AUS	Nein	Der Traktor ist über Bluetooth mit einem mobilen Gerät verbunden.	Dies ist ein normaler Vorgang. Keine Maßnahmen erforderlich.
	„MÄHEN IM RÜCKWÄRTSGANG AUS“-Symbol leuchtet auf dem LC-Display auf.	AUS	Nein	Es zeigt an, dass die Messer nicht eingeschaltet werden können, wenn der Traktor rückwärtsfährt.	Dies ist ein normaler Vorgang. Schalten Sie bei Bedarf die Messer ein, während Sie rückwärtsfahren, wie im Kapitel „EINSCHALTEN DER MESSER WÄHREND DES RÜCKWÄRTSFAHRENS“ in der Bedienungsanleitung beschrieben.
	Das Fahr-Symbol leuchtet auf dem LC-Display auf.	AUS	Nein	Es zeigt an, dass der Traktor fahrbereit ist oder vorwärtsfährt.	Dies ist ein normaler Vorgang. Stellen Sie den Fahrtrichtungsschalter nach Bedarf in die Position „D“, Leerlauf oder „R“.
	Das Rückwärtsgang-Symbol leuchtet auf dem LC-Display auf.	AUS	Nein	Es zeigt an, dass der Traktor rückwärtsgefahren werden kann oder rückwärtsfährt.	
	Das Fahr-Symbol und das Rückwärtsgang-Symbol blinken abwechselnd.	AUS	Nein	Es zeigt an, dass der Traktor nicht gefahren werden konnte.	
	Sicherheitsschlüssel-Symbol leuchtet auf.	AUS	Nein	Der Sicherheitsschlüssel ist richtig eingesteckt.	Dies ist ein normaler Vorgang. Keine Maßnahmen erforderlich.
	Das Sicherheitsschlüssel-Symbol blinkt, wenn auf dem LC-Display die „Ladestandanzeige“ angezeigt wird.	AUS	Nein	Der Sicherheitsschlüssel steckt nicht.	Stecken Sie den Sicherheitsschlüssel ein, drücken Sie dann das Feststellbremspedal bis zum Anschlag durch und halten Sie gleichzeitig die START/STOPP-Taste länger als 3 Sekunden gedrückt, um den Traktor einzuschalten.
				Tastenbedienfeld-Einheit ist defekt.	Wenden Sie sich zwecks Reparatur an einen EGO-Kundendienst.

Anzeige auf dem LCD	Beschreibung	Traktorstatus-anzeige	Audio-Anzeige	Ursache	Lösung
	Das Feststellbremsen-Symbol blinkt, wenn auf dem LC-Display die „Ladestandanzeige“ angezeigt wird.	AUS	Nein	Das Feststellbremspedal ist nicht bis zum Anschlag durchgedrückt.	Drücken Sie bei eingestecktem Sicherheitsschlüssel das Feststellbremspedal bis zum Anschlag durch und halten Sie gleichzeitig die START/STOPP-Taste länger als 3 Sekunden gedrückt, um den Traktor einzuschalten.
	Das Feststellbremsen-Symbol blinkt, wenn auf dem LC-Display die Bedienoberfläche angezeigt wird.	AUS	Nein	Betätigen Sie das Gaspedal, bevor Sie das Feststellbremspedal drücken, damit die Traktoranzeige grün leuchtet.	Starten Sie den Traktor wie im Kapitel „ STARTEN DES TRAKTORS “ beschrieben.
	Das Feststellbremsen-Symbol leuchtet auf.	AUS	Nein	Das Feststellbremspedal ist in die Bremsposition gestellt.	Lösen Sie es, bevor Sie den Traktor starten.
	Das Sitzsensor-Symbol leuchtet auf.	AUS	Nein	Der Bediener verlässt den Sitz oder die Sicherheitsverriegelung des Sitzes ist getrennt.	Wenn Sie auf dem Sitz sitzen und das Symbol leuchtet, halten Sie den Traktor sofort an und überprüfen Sie den Sitzkontakt. Wenn der Sitzkontakt des Traktors intakt ist, lassen Sie das Gerät von einem qualifizierten Kundendienst reparieren.
	Das Zapfwellenschalter-Symbol blinkt	AUS	Nein	Der Messerantrieb wurde während des Betriebs unterbrochen und der Zapfwellenschalter steht nicht auf Ausschaltposition.	Drücken Sie vor dem Neustart des Traktors den Zapfwellenschalter nach unten, um die Messerantriebe auszuschalten. Lesen Sie zum Nachschlagen die Hinweise im Kapitel „ STÖRUNGSBEHEBUNG “.
	Das Symbol eines bestimmten Akkufachs blinkt.	AUS	Nein	Ein bestimmter Akku führt während des Entladens Überstrom.	Keine Maßnahmen erforderlich. Der Traktor kann weiter eingesetzt werden, wenn die gesamte Akkukapazität mindestens 15 Ah beträgt. Davon sind die Akkuzellen mit Überstrom ausgenommen. Sobald sich der Akku mit Überstrom wieder normalisiert, wird der Traktor sofort mit Strom versorgt und das Symbol verschwindet.
	Das Symbol für das leere Akkufach blinkt.	AUS	Nein	Die Akku-Kapazität reicht für den Betrieb des Traktors nicht aus.	Um diesen Traktor zu starten, verwenden Sie genügend EGO-Akkus gemäß den Anweisungen im Abschnitt „ ANBRINGEN/ENTFERNEN DES AKKUPACKS “ in dieser Bedienungsanleitung.

Anzeige auf dem LCD	Beschreibung	Traktorstatus-anzeige	Audio-Anzeige	Ursache	Lösung
	Das Temperatur-Symbol und das Symbol des jeweiligen besetzten Akkufachs blinken gleichzeitig.	AUS	Nein	Das Akkupack im jeweils nummerierten Akkufach ist überhitzt.	<ol style="list-style-type: none"> Der Traktor kann weiter eingesetzt werden, wenn die Gesamtkapazität der Akkus die Anforderung erfüllt. Davon sind die überhitzten Akkuzellen ausgenommen. Wenn der überhitzte Akku wieder auf normale Temperatur abgekühlt ist, wird er sofort wieder an der Spannungsversorgung des Traktors beteiligt. Wenn die Gesamtkapazität der Akkus nicht die Anforderungen erfüllt, startet der Traktor erst, wenn weitere Akkupacks in die leeren Akkufächer eingesetzt werden. Verringern Sie die Belastung des Traktors, indem Sie die Schnitthöhe des Decks höher stellen oder langsamer fahren, wenn Sie den Betrieb wieder fortsetzen.
	Das Temperatur-Symbol blinkt.	AUS	Ein Ton	<p>Der Traktor ist überhitzt.</p> <p>Der Traktor ist zu kalt.</p>	<p>Verringern Sie die Belastung des Traktors, indem Sie die Schnitthöhe des Decks erhöhen oder die Messer-/ Fahrgeschwindigkeit verringern. Machen Sie eine Pause und lassen Sie den Traktor abkühlen.</p> <p>Bitte versuchen Sie es nicht weiter, da die Maschine sonst beschädigt werden könnte. Bewahren Sie den Traktor und die Akkus immer in warmer Umgebung auf. Starten Sie den Traktor wieder, wenn er aufgewärmt ist.</p>
	Das Warn-Symbol blinkt.	Rotes Blinklicht	Ein Ton	<p>Der Messerantrieb ist überlastet.</p> <p>Der Seitenauswurf ist mit Gras und Schmutz verstopft.</p> <p>Zwischen dem Messer und dem Traktordeck ist eine Störung aufgetreten.</p>	<p>Stellen Sie die Schnitthöhe des Decks höher ein oder verringern Sie die Fahrgeschwindigkeit, um die Belastung des Traktors zu verringern.</p> <p>Reinigen Sie den Seitenauswurf nach jedem Gebrauch.</p> <p>Wenden Sie sich an einen EGO-Kundendienst.</p>

Anzeige auf dem LCD	Beschreibung	Traktorstatus-anzeige	Audio-Anzeige	Ursache	Lösung
	Die Symbole jedes belegten Akkufachs und das Warn-Symbol blinken jede Sekunde gleichzeitig auf dem LC-Display.	Rotes Blinklicht	Dauerton bis Zapfwellenschalter nach unten bewegt wird.	Die Akkus sind nur noch schwach geladen und der Traktor ist im Notbetrieb.	Stellen Sie die Arbeit ein und kehren Sie zum Akkuladebereich zurück. ANMERKUNG: Wenn sich der Traktor im Notbetrieb befindet, werden die Messer automatisch auf niedrige Umlaufgeschwindigkeit umgeschaltet. Gleichzeitig ertönt das akustische Signal dauerhaft. Der Bediener muss den Zapfwellenschalter nach unten drücken, um die Messerantriebe auszuschalten. Nach dem Anhalten der Messer schaltet sich das akustische Signal aus.
	Das Symbol jedes belegten Batteriefachs und das Warnsymbol blinken alle halbe Sekunde.	Rotes Blinklicht	Ton wird weiter ausgegeben	Der Messerantrieb wurde während des Betriebs unterbrochen und der Zapfwellenschalter steht nicht auf Ausschaltposition.	Der Traktor schaltet sich sofort ab. Der Bediener sollte den Traktor zum Aufladen in den Akkuladebereich bringen.
	Das CCS-Symbol leuchtet auf dem LC-Display auf.	Grünes Dauerlicht	Nein	Der Traktor fährt mit einer festgelegten Geschwindigkeit vorwärts, ohne dass Sie das Gaspedal betätigen müssen.	Dies ist ein normaler Vorgang. Deaktivieren Sie bei Bedarf die CCS-Funktion wie im Kapitel „ Deaktivieren (Beenden) des Tempomats (CCS) “ in der Bedienungsanleitung beschrieben.
	Das CCS-Symbol blinkt auf dem LC-Display.	AUS	Nein	Die CCS-Funktion (Tempomat) funktioniert nicht. Das Feststellbremspedal wird betätigt, um den Traktor anzuhalten.	Die CCS-Funktion kann nicht eingestellt werden, wenn der Traktor mit sehr niedriger Geschwindigkeit fährt oder rückwärtsfährt. Nachdem Sie das Feststellbremspedal losgelassen haben, drücken Sie die CCS-Taste; das CCS-Symbol leuchtet dann auf dem LCD auf, oder deaktivieren Sie die CCS-Funktion, indem Sie den Anweisungen in Kapitel „ Deaktivieren (Beenden) des Tempomats (CCS) “ folgen.
	Kein Grasfangsack-Symbol leuchtet auf dem LC-Display auf.	nicht zutreffend	Nein	Es zeigt an, dass der Grasfangsack nicht oder nicht richtig am Traktor montiert ist.	Bringen Sie den Grasfangbagger richtig am Traktor an.
	Das „Grasfangsack voll“-Symbol blinkt auf dem LCD.	nicht zutreffend	Nein	Es zeigt an, dass der Grasfangsack voll ist.	Leeren Sie den Grasfangsack und bringen Sie ihn wieder ordnungsgemäß an.
nicht zutreffend	nicht zutreffend	AUS	Ton wird weiter ausgegeben	Der Traktor ist auf einer Böschung geparkt und der Fahrer verlässt den Traktor, ohne das Feststellbremspedal in die Bremsposition zu stellen.	Stellen Sie das Feststellbremspedal in die Bremsposition. Das Feststellbremsen-Symbol leuchtet auf und die akustische Signal hört auf zu piepen.

Anzeige auf dem LCD	Beschreibung	Traktorstatus-anzeige	Audio-Anzeige	Ursache	Lösung
AUS	Ladeanschluss ist defekt.	ROTES Dauerlicht	nicht zutreffend	Versorgungsspannung liegt nicht an.	Prüfen Sie, ob 220 - 240 V an der Steckdose anliegen bzw. ob die Steckdose intakt ist.
		ROTES Dauerlicht	nicht zutreffend	Elektronikfehler wie Ladeanschluss in unterbrochenem Kreis, durchgebrannte Sicherung usw.	Wenden Sie sich zwecks Reparatur an einen EGO-Kundendienst.

FEHLERCODEANGABE

Beschreibung	Fehlercode auf dem LCD	Audio-Anzeige	Lösung
Linker Messerantrieb dreht sich nicht.	509	Ein Ton	Überprüfen Sie zuerst das Messer. Wenn sie sich gelöst hat, ziehen Sie die Schraube mit dem empfohlenen Drehmoment an. Wenden Sie sich anderenfalls zwecks Reparatur an einen EGO-Kundendienst.
Rechter Messerantrieb dreht sich nicht.	609	Ein Ton	

HINWEIS: Bei allen anderen Fehlercodes auf dem LC-Display, die einen Leiterplattenfehler, einen lockeren Anschluss, eine Störung des Antriebsmotors, des Messermotors usw. anzeigen können, nehmen Sie alle Akkupacks heraus und setzen Sie sie einige Minuten später wieder ein, um den Traktor neu zu starten. Falls sich das Problem auf diese Weise nicht beheben lässt, notieren Sie sich den Fehlercode und wenden Sie sich zwecks Reparatur an einen EGO-Kundendienst.

GARANTIE

EGO-GARANTIEBEDINGUNGEN

Sämtliche EGO-Garantiebedingungen finden Sie auf der Website egopowerplus.eu.

LISEZ TOUTES LES INSTRUCTIONS!

FR


LIRE LA NOTICE D'UTILISATION

SYMBOLE DE SECURITE

L'objectif des symboles de sécurité est d'attirer votre attention sur des dangers potentiels. Les symboles de sécurité et les explications les accompagnant doivent être lus attentivement et compris. Les symboles de mise en garde ne permettent pas par eux-mêmes d'éliminer les dangers. Les consignes et mises en garde ne se substituent pas à des mesures de prévention des accidents appropriées.

▲ AVERTISSEMENT : Lisez et comprenez impérativement toutes les consignes de sécurité de ce manuel d'utilisation, y compris les symboles de mise en garde de sécurité tels que « **DANGER** », « **AVERTISSEMENT** » et « **ATTENTION** » avant d'utiliser cet outil. Le non-respect de toutes les instructions énumérées ci-dessous peut entraîner un choc électrique, un incendie et / ou des blessures graves.

SIGNIFICATION DES SYMBOLES

Cette page décrit des symboles de sécurité pouvant être présents sur ce produit. Lisez, comprenez et respectez toutes les instructions présentes sur l'outil avant d'essayer de l'assembler et de l'utiliser.

SYMBOLES DE SÉCURITÉ

	Alerte de sécurité		Lire et comprendre le manuel d'utilisation
	Protection oculaire		Entretien des dispositifs de sécurité
	DANGER - Risque sur une pente raide		DANGER - Tenir les passants éloignés des lames.
	Ne transportez jamais d'enfants		Regardez derrière vous en faisant marche arrière
	AVERTISSEMENT - Ne pas utiliser cette machine sur des pentes supérieures à 12°		DANGER – Projection d'objets
	AVERTISSEMENT – GARDEZ LES MAINS ET LES PIEDS ÉLOIGNÉS DE L'APPAREIL		Niveau de puissance acoustique garanti. Conformément à la directive de la Communauté européenne.
	Ne pas marcher		Les produits électriques usagés ne doivent pas être jetés avec les ordures ménagères. Apportez-les dans un centre de recyclage agréé.
	Ce produit est conforme aux directives CE applicables.		ATTENTION - Ne fixez pas l'éclairage en fonctionnement.
	Courant continu		Ce produit est conforme à la législation britannique applicable.

kPa	Kilopascal	Tr / min	Tours par minute
V	Volts	m	Mètres
in	Pouce	cm	Centimètres
Nm	Mètre Newton	mm	Millimètres
°C	Celsius	kg	Kilogramme
km / h	Kilomètres par heure	IPX4	Indice de protection

SYMBOLES UTILISÉS DANS CE MANUEL



Veillez prendre note des informations



L'action indiquée s'arrête

SPÉCIFICATIONS

Tension		56 V
Taille du plateau		98 cm
Taille de roue	Avant	15 x 6 – 6 pouces
	Arrière	18 x 7,5 – 8 pouces
Pression des pneus à froid	Avant	96,5 kPa
	Arrière	170 kPa
Vitesse de la lame (tr / min)		Jusqu'à 3000
Vitesse de conduite maximale	Marche avant	Jusqu'à 9,6 km / h
	%arce arrière	jusqu'à 4,8 km / h
Réglage de la hauteur de coupe (12 positions)		25 – 100 mm
Plage de température de charge		5°C – 40°C
Température d'utilisation		0°C – 40°C
Température de stockage		-20°C – 70°C
Poids (sans la batterie)		220 kg
Niveau de puissance acoustique mesuré L_{WA}		97,7 dB(A) K=1,75 dB(A)
Pression acoustique au niveau des oreilles de l'opérateur L_{PA}		83,6 dB(A) K=3 dB(A)
Niveau de puissance acoustique garanti L_{WA} (conformément à la norme 2000/14/CE)		100 dB(A)
Vibrations a_h	Main	0,24 m/s ² K=1,5 m/s ²
	Corps	0,18 m/s ² K=1,5 m/s ²

- La valeur totale des vibrations indiquée a été mesurée selon une procédure conforme à une méthode de test standardisée et peut servir pour comparer différents outils.
- La valeur totale des vibrations déclarée peut également servir pour effectuer une évaluation préliminaire de l'exposition.

REMARQUE : Le niveau de vibrations lors de l'utilisation réelle de l'outil peut être différent de la valeur déclarée totale en fonction de la manière dont l'outil est utilisé ; Afin de protéger l'opérateur, l'utilisateur doit porter des gants et des protections auditives en conditions réelles d'utilisation.

ACCESSOIRES RECOMMANDÉS

AVERTISSEMENT : Utilisez uniquement les accessoires répertoriés ci-dessous. L'utilisation d'accessoires ne correspondant pas aux caractéristiques de l'équipement d'origine peut entraîner un dysfonctionnement et compromettre la sécurité.

NOM DES PIÈCES	NUMÉRO DE MODÈLE
Set de lames	AB3801TD
Bouchon de broyage	AMP3800T

DESCRIPTION

DESCRIPTION DE LA TONDEUSE AUTOPORTÉE (Fig. A1)

- Siège
- Porte-gobelets
- Roue arrière (roue motrice) (x2)
- Port de lavage (x2)
- Plateau
- Roue anti-scalp (x2)
- Roue avant (x2)
- Pare-choc avant
- Pédale de frein de stationnement
- Phare LED (x2)
- Bloc d'alimentation
- Compartiment de stockage
- Levier de verrouillage du frein de stationnement
- Volant

15. Levier de réglage de la position du siège
16. Bac de ramassage
17. Port de charge
18. Port USB
19. Panier de rangement
20. Pédale d'accélérateur
21. Levier de réglage de la hauteur du plateau
22. Levier de basculement
23. Poignée
24. Témoin d'état de la tondeuse autoportée
25. Bouton de réglage de la vitesse de la lame
26. Bouton de TONTE EN MARCHÉ ARRIÈRE
27. Bouton marche / arrêt
28. Levier de commande de direction
29. Clé de sécurité
30. Interrupteur de prise de force
31. Bouton de régulateur de vitesse
32. Bouton éclairage LED / bouton Bluetooth
33. Bouton de réglage de la vitesse de conduite
34. Bouton d'ouverture du capot du moteur
35. Capot du moteur
36. Bloc d'alimentation avec six compartiments de batterie
37. Bouton de déverrouillage de la batterie

DESCRIPTION DE L'ÉCRAN LCD (Fig. A2)

Reportez-vous à la rubrique « **TÉMOINS D'ÉTAT DE LA TONDEUSE** » et « **RÉFÉRENCE DE CODE D'ERREUR** » pour plus d'informations sur les icônes et les indicateurs de l'écran LCD.

1. Icône de régulateur de vitesse
2. Indicateur d'état du dispositif de sécurité
3. Icône de MARCHÉ ARRIÈRE SANS TONTE
4. Icône de marche avant
5. Icône de marche arrière
6. Icône de la clé de sécurité
7. Icône des indicateurs LED
8. Icône Bluetooth
9. Indicateur de vitesse de lame
10. Compteur horaire
11. Jauge de carburant
12. Icône de température
13. Icône d'alerte (surcharge/batterie faible)
14. Icône de compartiment de batterie vide
15. Icône de compartiment de batterie occupé
16. Indicateur de code d'erreur
17. Indicateur de charge
18. Indicateur de vitesse de conduite
19. Icône de bac plein
20. Icône d'absence de bac

DÉBALLAGE

REMARQUE : Ne jetez pas les éléments d'emballage tant que vous n'avez pas soigneusement inspecté l'outil et que vous ne l'avez pas utilisé de manière satisfaisante. Si des pièces de la liste d'emballage sont assemblées sur la machine, veuillez contacter immédiatement le service EGO.

REMARQUE : À l'exception des outils figurant dans la liste ci-dessous, tous les autres outils mentionnés dans les manuels sont recommandés mais non fournis.

CONTENU DE L'EMBALLAGE (Fig. B)

B-1	Tondeuse autoportée électrique	B-2	Siège
B-3	Volant	B-4	Capuchon anti-poussière
B-5	Clés de serrage	B-6	Clé à douille de 18 mm
B-7	Boulons (1 de rechange)	B-8	Écrous M8 (1 de rechange)
B-9	Écrous M12 (1 de rechange)	B-10	Rondelles (1 de rechange)
B-11	Clé de sécurité	B-12	Coupleur rapide pour port de lavage
B-13	Manuel d'utilisation	B-14	Bac de ramassage (avec deux jeux de boulons et d'écrous pour les brides latérales)
B-15	Bride en forme de U	B-16	Bride latérale
B-17	Levier de basculement	B-18	Bride de support de bac gauche et droite
B-19	Barre transversale	B-20	Boulon M8X40
B-21	Boulon M8X25	B-22	Écrou M8

ASSEMBLAGE

MONTAGE DU VOLANT (Fig. C1)

C1-1	Colonne de direction	C1-2	Volant
C1-3	Ligne centrale	C1-4	Rondelle
C1-5	Écrou	C1-6	Clé à douille de 18 mm
C1-7	Couvercle antipoussières		

MONTAGE DU SIÈGE (Fig. C2)

⚠ AVERTISSEMENT : Le système de verrouillage de sécurité ne doit pas être déconnecté ou contourné. Cela pourrait provoquer un fonctionnement inattendu de la tondeuse et entraîner des blessures.

C2-1	Siège	C2-2	Écrou (M8)
C2-3	Boulon de serrage	C2-4	Prise
C2-5	Fiche		

MONTAGE DU BAC DE RAMASSAGE (Fig. C3 – C8)

C3-1	Bride en forme de U	C3-2	Bac de ramassage
C3-2	4 jeux de boulons et écrous (M8 X 40)	C3-4	Clé de serrage
C4-1	Brides latérales	C4-2	4 jeux de boulons et écrous (M8 X 40)
C4-3	Clé de serrage	C5-1	Levier de basculement
C5-2	1 jeu de boulon et écrou (M8 X 40)	C5-3	Clé de serrage
C6-1	Brides de support de sac	C6-2	4 jeux de boulons et écrous (M8 X 25)
C6-3	Clés de serrage	C7-1	Barre transversale
C7-2	2 écrous (M8)	C7-3	Clé de serrage

AJUSTEMENT

AVANT LE RÉGLAGE (Fig. D1)

RÉGLAGE DE LA HAUTEUR DU PLATEAU DE COUPE (Fig. D2)

RÉGLAGE DES ROUES ANTI-SCALP (Fig. D3 – D6)

D3-1	Roues anti-scalp	D5-1	Écrou
D5-2	Boulon de blocage	D6-1	Étiquette de la hauteur du plateau

RÉGLAGE DU SIÈGE (Fig. D7)

D7-1	Levier de réglage de la position du siège
------	---

FONCTIONNEMENT

AVANT L'UTILISATION (Fig. E1)

RÉGLAGE DU FREIN DE STATIONNEMENT (Fig. E2)

E2-1	Position du frein de stationnement	E2-2	Position de relâchement
------	------------------------------------	------	-------------------------

⚠ AVERTISSEMENT : LA PÉDALE DE FREIN DE STATIONNEMENT NE PEUT PAS RALENTIR LA VITESSE DE CONDUITE. NE JAMAIS ESSAYER D'APPUYER SUR LA PÉDALE DE FREIN DE STATIONNEMENT POUR RALENTIR LA VITESSE DE CONDUITE. LORSQUE LA PÉDALE DE FREIN DE STATIONNEMENT EST ENFONCÉE MAIS N'EST PAS ENGAGÉE EN POSITION FREIN DE STATIONNEMENT, LE FREIN ÉLECTRIQUE N'EST PLUS EFFICACE ET LA TONDEUSE CESSERA DE SE DÉPLACER SUR UNE SURFACE PLANE. MAIS SI CELA SE PRODUIT SUR UNE PENTE, LA TONDEUSE PEUT DÉVALER LA PENTE UNE FOIS LA PÉDALE DE FREIN DE STATIONNEMENT RELÂCHÉE.

⚠ AVERTISSEMENT : TIRER LE LEVIER DE VERROUILLAGE DU FREIN DE STATIONNEMENT ET APPUYER IMMÉDIATEMENT SUR LA PÉDALE DU FREIN DE STATIONNEMENT POUR LA METTRE EN POSITION DE FREIN DE STATIONNEMENT. EN CAS D'URGENCE, LA TONDEUSE S'ARRÊTERA IMMÉDIATEMENT ET NE DÉVALERA PAS LA PENTE.

INSÉRER / RETIRER LES BATTERIES (Fig. E3 – E6)

Pour démarrer cette tondeuse, des batteries EGO totalisant 15 Ah (2 X BA4200/BA4200T) ou plus sont nécessaires. Pour de meilleures performances, nous recommandons l'utilisation de batteries EGO totalisant 30 Ah ou plus.

E3-1	Bouton d'ouverture du couvercle	E5-1	Bouton de déblocage de la batterie
------	---------------------------------	------	------------------------------------

CHARGEMENT DE LA TONDEUSE

Utilisez exclusivement les batteries et les chargeurs recommandés.

- **Charger la ou les batteries séparément (Fig. E7)**

REMARQUE : Reportez-vous aux manuels correspondants de la batterie et du chargeur pour des consignes détaillées.

- **Charger la ou les batteries via le port de charge (Fig. E8 – E10)**

E10-1	Capuchon anti-poussière	E10-2	Port de charge
-------	-------------------------	-------	----------------

TESTER LE SYSTÈME DE VERROUILLAGE DE SÉCURITÉ

- Pour tester le système de lame du plateau (Fig. E11 – E12)**
- Pour tester le système de conduite (Fig. E13 – E14)**

Si le système de lames du plateau et/ou le système d'entraînement ne s'arrête pas lorsque l'opérateur n'est pas assis sur le siège et si la cause ne peut pas être déterminée après avoir vérifié que la fiche et la prise du siège sont bien connectées, contactez immédiatement votre centre de service après-vente EGO.

TECHNOLOGIE DE COMMUNICATION

Pour plus d'informations sur notre gamme complète de produits et services connectés, y compris les instructions de connexion, veuillez scanner le code QR ci-dessous ou consultez www.egopowerplus.eu/connect.



A VÉRIFIER AVANT UTILISATION

- Veillez à ce qu'il n'y ait aucune autre personne, aucun enfant, ni aucun animal dans la zone de travail.
- Dégagez la zone de travail des objets qui pourraient être projetés par les lames de la tondeuse.
- Nettoyez les débris de la tondeuse.
- Vérifiez que les fixations sont bien serrées.
- Assurez-vous que tous les carters de protection sont en place et fonctionnent correctement.
- Vérifiez visuellement que les pneus sont gonflés.
- Vérifiez le fonctionnement des freins.

- Ajustez la hauteur du plateau à la position de coupe souhaitée la mieux adaptée à la pelouse et ajustez les roues anti-scalp en conséquence.
- Réglez la position du siège et assurez-vous que les deux pédales sont accessibles.
- Vérifiez le niveau de charge de la batterie.
- Testez le système de verrouillage de sécurité.
- Assurez-vous que le bac de ramassage est installé correctement.

DÉMARRAGE DE LA TONDEUSE (Fig. E15 – Fig. E16)

⚠ AVERTISSEMENT : Évitez les démarrages, les arrêts et les virages brusques, ainsi que de rouler à une vitesse excessive, surtout lorsque vous apprenez à utiliser la tondeuse. La tondeuse peut tourner rapidement, ce qui peut vous faire perdre le contrôle et entraîner des blessures et/ou des dommages graves.

⚠ AVERTISSEMENT : Avant de démarrer la tondeuse, vérifiez et assurez-vous que les lames se désengagent dans un délai de 5s lorsque vous poussez l'interrupteur de prise de force vers le bas. Si les lames ne s'arrêtent pas, n'utilisez pas la tondeuse et contactez immédiatement votre service client EGO.

REMARQUE :

- Si la pédale du frein de stationnement est réglée sur la position frein de stationnement, il vous suffit d'appuyer sur le bouton marche/arrêt pendant 3 secondes pour allumer l'écran LCD, puis de relâcher la pédale du frein de stationnement avant de conduire la tondeuse.
- Les lames de coupe peuvent être démarrées à tout moment une fois que l'écran LCD est entièrement allumé et que le levier de commande de direction n'est pas tiré vers l'arrière dans la direction « R ». Pour mettre en marche les lames tout en conduisant la tondeuse en marche arrière, reportez-vous à la rubrique «**DÉMARRAGE DES LAMES PENDANT LA MARCHÉ ARRIÈRE**» de ce manuel.

REMARQUE : Suivez l'indication de la Fig. E17 pour obtenir la vitesse de conduite la plus basse jusqu'à ce que vous soyez pleinement capable de conduire la tondeuse dans toutes les situations.

La tondeuse autoportée électrique ne garde pas en mémoire les réglages de vitesse de conduite et de lame. La vitesse de conduite et la vitesse de la lame reviendront au niveau 2 à chaque fois que la tondeuse est arrêtée.

Réglage de la vitesse de conduite (Fig. E17)

Réglage de la vitesse de la lame (Fig. E18)

REMARQUE : Lorsque vous êtes au « Niveau 3 », réappuyez sur le bouton de réglage de la vitesse de la lame et la vitesse de la lame reprend la vitesse précédente.

Éclairage LED (Fig. E19)

- Les phares LED peuvent être allumés et éteints via l'interrupteur d'éclairage LED.

Port USB

REMARQUE : Le port USB fournit une puissance de charge de 5 Volts CC à une consommation combinée maximale de 1,5 ampère et est alimenté uniquement au démarrage de la tondeuse.

ARRÊT DE LA TONDEUSE (Fig. E20)

⚠ AVERTISSEMENT : Placez toujours la pédale du frein de stationnement en position frein de stationnement lorsque la tondeuse est arrêtée sur une pente, sinon la tondeuse pourrait dévaler la pente, ce qui pourrait gravement l'endommager et causer des blessures !

REMARQUE : Dans une situation où la pédale du frein de stationnement est en position frein de stationnement et où l'opérateur n'est pas assis sur le siège, mais où les batteries sont toujours insérées dans la tondeuse :

- Si l'écran LCD est éteint, les indicateurs de batterie, le bouton marche/arrêt et le bouton de régulateur de vitesse resteront allumés pendant 1 heure.
- Si l'écran LCD affiche la « jauge de carburant » ou l'interface opérateur, la tondeuse s'éteindra automatiquement après 1 heure.

Mode de secours

Lorsque la charge des batteries devient très faible, la tondeuse passe en mode de secours pour conserver suffisamment d'énergie pour retourner à la zone de charge.

- Les lames passent en vitesse de rotation lente et ne coupent que très peu d'herbe. Lorsqu'elles entrent en contact avec de l'herbe haute et dense, les lames s'arrêtent de tourner. L'indicateur sonore retentira (bip) par intermittence.
- Le témoin d'état de la tondeuse autoportée clignotera en rouge toutes les secondes, l'icône d'alerte (batterie faible) et l'icône de chaque compartiment de batterie occupé clignoteront.

L'opérateur doit :

- Pousser l'interrupteur de prise de force vers le bas pour couper les moteurs de lame. L'indicateur sonore s'arrêtera de sonner lorsque les moteurs de lame s'arrêteront.
- Arrêter de travailler et rejoindre la zone de recharge dès que possible. La distance maximale que la tondeuse peut parcourir est de 1000 m.

Lorsque la batterie est presque épuisée, l'icône d'alerte (batterie faible) et l'icône de chaque compartiment de batterie occupé clignotent toutes les demi-secondes. La tondeuse cesse immédiatement de fonctionner. L'opérateur devra transporter la tondeuse jusqu'à la zone de charge pour la recharger.

REMARQUE : Si vous souhaitez pousser la tondeuse manuellement, assurez-vous que les batteries sont déconnectées de la tondeuse et que la pédale du frein de stationnement n'est pas en position de freinage.

CONDUITE DE LA TONDEUSE AUTOPORTÉE (Fig. E21)

⚠ DANGER : Restez à une distance d'au moins deux largeurs de tonte de tout fossé, pente raide ou plan d'eau. Les roues avant peuvent tourner lorsque la tondeuse est arrêtée, même si le frein est enclenché, et provoquer un basculement de la tondeuse dans un fossé ou dans l'eau et entraîner la mort ou des blessures graves.

⚠ AVERTISSEMENT : Ne conduisez pas la tondeuse sur la voie publique.

⚠ AVERTISSEMENT : Si un blocage se produit ou si vous heurtez un objet étranger, arrêtez le moteur et retirez la batterie. Enlevez l'herbe coupée, les feuilles, la saleté et tout autre débris accumulé ; inspectez minutieusement la tondeuse pour détecter tout dommage et réparez les dommages avant de redémarrer et d'utiliser la tondeuse.

REMARQUE :

- Pendant la conduite, lorsque vous quittez le siège, le témoin d'état de la tondeuse s'éteint. Lorsque vous reprenez la conduite, asseyez-vous sur le siège et enfoncez à fond la pédale du frein de stationnement pour que le témoin d'état de la tondeuse brille en vert.
- Lors du passage de la marche avant à la marche arrière pendant la conduite, déplacez le levier de commande de direction directement d'un bout à l'autre sans vous arrêter en position neutre, sinon la tondeuse pourrait s'arrêter.

UTILISATION DU RÉGULATEUR DE VITESSE (CCS)



Activer le régulateur de vitesse (CCS) (Fig. E22)

REMARQUE : Le niveau de vitesse de conduite affiché sur l'écran LCD peut ne pas représenter avec précision la vitesse de conduite réelle de la tondeuse lorsque vous utilisez le régulateur de vitesse. Appuyez sur le bouton de réglage de la vitesse pour « actualiser » le niveau de vitesse de conduite sur l'écran LCD.

Pour arrêter (quitter) le mode de régulateur de vitesse (CCS), vous pouvez le faire de l'une des trois manières suivantes :

- Maintenez la pédale d'accélérateur enfoncée à fond. La fonction de régulateur de vitesse s'arrête et la tondeuse continue à avancer.
- Appuyez légèrement sur la pédale d'accélérateur puis relâchez-la. La tondeuse et la fonction de régulateur de vitesse s'arrêtent.
- Appuyez sur le bouton du régulateur de vitesse (CCS). La tondeuse et la fonction de régulateur de vitesse s'arrêtent.

REMARQUE : Lorsque le régulateur de vitesse est arrêté, l'icône  disparaît de l'écran LCD et un bip retentit deux fois.

REMARQUE : Si la pédale du frein de stationnement est enfoncée, la tondeuse s'arrête mais l'icône  clignote sur l'écran LCD pour indiquer que le régulateur de vitesse est en veille. Dans ce cas, relâchez la pédale du frein de stationnement, appuyez sur le bouton du régulateur de vitesse. La tondeuse se remet à avancer automatiquement et l'icône  cesse de clignoter.

MISE EN MARCHÉ DES LAMES PENDANT LA MARCHÉ ARRIÈRE

REMARQUE : Il est déconseillé de tondre en marche arrière.

⚠ AVERTISSEMENT : Faites preuve d'une extrême prudence lorsque vous tondez en marche arrière. Assurez-vous toujours qu'aucune personne ne pénètre dans la zone de travail, en particulier les jeunes enfants, avant et pendant la tonte en marche arrière.

⚠ AVERTISSEMENT : La vision des opérateurs peut être réduite lors de l'utilisation de la tondeuse avec le bac de ramassage. Une extrême prudence et une bonne connaissance de l'environnement doivent toujours être prises en considération avant et pendant la tonte en marche arrière.



Activer la TONTE EN MARCHÉ ARRIÈRE (Fig. E23)

Pour arrêter (quitter) la TONTE EN MARCHÉ ARRIÈRE , vous pouvez le faire de l'une des quatre manières suivantes :

- Appuyez une fois sur le bouton de TONTE EN MARCHÉ ARRIÈRE.
- Soulevez-vous du siège de la tondeuse.
- Appuyez sur le bouton marche/arrêt pendant 3 secondes pour éteindre l'écran LCD.
- Retirez la clé de sécurité ou retirez la ou les batteries pour arrêter la tondeuse.

REMARQUE : Lorsque la TONTE EN MARCHÉ ARRIÈRE est arrêtée, l'icône  s'allume sur l'écran LCD.

VIDER LE BAC DE RAMASSAGE (Fig. E24)

REMARQUE : Quand l'icône  clignote sur l'écran LCD, le bac de ramassage est plein. Une fois le bac vidé, l'icône  disparaît de l'écran LCD.

REMARQUE : Le bac de ramassage doit être correctement replacé sur la tondeuse, sinon la tondeuse peut avancer mais les moteurs de lame ne peuvent pas être mis en marche.

ENTRETIEN

⚠ AVERTISSEMENT : Portez toujours une protection oculaire avec boucliers latéraux. Le non-respect de cette consigne pourrait entraîner la projection d'objets dans les yeux et provoquer des blessures graves éventuelles.

⚠ AVERTISSEMENT : Protégez toujours vos mains en portant des gants épais ou en enveloppant les bords tranchants de la lame dans des chiffons ou d'autres matières lors de l'entretien de la lame de la tondeuse. Retirez toujours la clé de sécurité et la batterie lorsque vous procédez à l'entretien de la tondeuse ou que vous la transportez.

PROGRAMME(S) D'ENTRETIEN RECOMMANDÉ(S)

FR

Fréquence d'entretien	Procédure d'entretien
Avant chaque utilisation ou quotidiennement	<ul style="list-style-type: none"> ■ Vérifiez le système de verrouillage de sécurité. ■ Vérifiez visuellement que les pneus sont gonflés. ■ Inspectez les lames. ■ Inspectez l'ensemble du produit pour vérifier qu'il n'y a pas de pièces endommagées, manquantes ou desserrées telles que la goulotte d'éjection latérale, les vis, les écrous, les boulons, les capuchons, etc. et assurez-vous que toutes les protections sont en place et fonctionnent correctement. ■ Vérifiez et assurez-vous que la pédale d'accélérateur peut être enfoncée et relâchée correctement. ■ Vérifiez l'amortisseur du volant. Le volant doit tourner avec une certaine résistance.
Après chaque utilisation	<ul style="list-style-type: none"> ■ Nettoyez la tondeuse et lavez le plateau de coupe.
Toutes les 25h	<ul style="list-style-type: none"> ■ Vérifiez la pression des pneus.
Toutes les 100h	<ul style="list-style-type: none"> ■ Vérifiez les roues arrière, en vous assurant que tous les écrous de roue sont serrés au couple recommandé (101-103 Nm). ■ Vérifiez les roues avant, en vous assurant que l'écrou est serré au couple recommandé (90-92 Nm).
Toutes les 200h	<ul style="list-style-type: none"> ■ Contrôlez les roues avant, en vous assurant qu'elles tournent librement.
Tous les six mois	<ul style="list-style-type: none"> ■ Vérifiez la pédale du frein de stationnement. Retirez la batterie de la tondeuse, puis soulevez le levier de verrouillage du frein de stationnement et appuyez sur la pédale du frein de stationnement pour enclencher le frein de stationnement. Poussez manuellement la tondeuse vers l'avant pour voir si elle peut être déplacée sans que les roues arrière ne tournent. Si la tondeuse se déplace et que les roues arrière tournent, veuillez contacter le service client EGO pour la faire réparer.
Avant le rangement	<ul style="list-style-type: none"> ■ Retirez les batteries de la tondeuse. ■ Retirez la clé de sécurité de la tondeuse. ■ Effectuez toutes les procédures de maintenance énumérées ci-dessus et nettoyez soigneusement la tondeuse. ■ Inspectez l'ensemble du produit pour détecter les pièces endommagées, manquantes ou desserrées, remplacez ou resserrez les pièces correspondantes avant le stockage.
Annuellement	<ul style="list-style-type: none"> ■ Lubrifiez les chemises d'arbre des roues avant.

ENTRETIEN GÉNÉRAL

Vider le bac de ramassage (Fig. F1 – F3)

Nettoyer le carter de la tondeuse (Fig. F4)

Utiliser l'orifice de lavage pour nettoyer le plateau de coupe de la tondeuse (Fig. F5 – F6)

F5-1	Port de lavage	F5-2	Coupleur rapide pour port de lavage
F5-3	Tuyau d'arrosage		

REMARQUE : Une fois le nettoyage terminé, éteignez complètement la tondeuse, puis retirez le tuyau d'arrosage et le raccord rapide.

ENTRETIEN DU PLATEAU DE COUPE ET DES LAMES DE COUPE

Préparation (Fig. G1)

Retrait du plateau (Fig. G2 – G3)

G2-1	Câble du moteur	G2-2	Goupille fendue
G2-3	Biellette de suspension		

Remplacement des lames de coupe (Fig. G4 – G6)

G4-1	Stabilisateur	G5-1	Boulon
G5-2	Rondelle	G5-3	Lame
G5-4	Bride	G5-5	Arbre du moteur

Mise à niveau du plateau de coupe

- Quand effectuer la mise à niveau (Fig. G7 / G8 / G9)**
- Avant la mise à niveau**
 - Contrôle de la pression des pneus à froid (Fig. G10)
 - Contrôlez les lames de coupe. Retirez et remplacez les lames usées, fissurées et/ou tordues si nécessaire.
- Préparation pour la mise à niveau (Fig. G11)**
- Comment effectuer la mise à niveau**
 - Pour effectuer le réglage latéral (Fig. G12)
 - Pour effectuer le réglage d'avant en arrière (Fig. G13)

RANGEMENT ET TRANSPORT

TRANSPORT DE LA TONDEUSE (Fig. H1 – H5)

H2-1	Rampes	H2-2	Sangles
------	--------	------	---------

REMARQUE : Fixez la tondeuse selon les besoins, à l'aide de sangles ou de câbles, pour éviter tout mouvement pendant le transport.

ENTREPOSAGE (Fig. I1 – I2)

REMARQUE : Retirez et rangez le(s) bloc(s) de batterie séparément, reportez-vous aux manuels correspondants.

Nettoyez et vérifiez la tondeuse avant de la ranger, référez-vous aux rubriques «**ENTRETIEN GÉNÉRAL**» et «**PLAN(S) D'ENTRETIEN RECOMMANDÉ(S)**».

Protection de l'environnement



DEEE (déchet d'équipement électrique et électronique) Ne jetez pas les équipements électriques, les batteries et les chargeurs usagés avec les ordures ménagères ! Apportez ce produit chez un recycleur agréé et rendez-le disponible pour une collecte séparée. Les outils électriques doivent être amenés dans un centre de recyclage pour assurer le respect de l'environnement.

FR



GUIDE DE DÉPANNAGE

FR

PROBLÈME	CAUSE	SOLUTION
La tondeuse autoportée électrique n'avance pas lorsque la pédale d'accélérateur est enfoncée.	<ul style="list-style-type: none"> ■ L'ampérage combiné des batteries insérées ne répond pas aux exigences. 	<ul style="list-style-type: none"> ■ Pour démarrer la tondeuse, utilisez suffisamment de batteries EGO en suivant les consignes de la rubrique «INSERER/RETIRER LES BATTERIES» de ce manuel.
	<ul style="list-style-type: none"> ■ La pédale du frein de stationnement est placée en position de freinage. 	<ul style="list-style-type: none"> ■ Enfoncez complètement la pédale du frein de stationnement pour la libérer de la position de freinage.
	<ul style="list-style-type: none"> ■ Le témoin d'état de la tondeuse ne s'allume pas en vert. 	<ul style="list-style-type: none"> ■ Enfoncez la pédale du frein de stationnement, puis relâchez-la. Le témoin d'état de la tondeuse s'allume en vert, ce qui signifie que la tondeuse est prête à démarrer.
	<ul style="list-style-type: none"> ■ L'opérateur n'est pas assis sur le siège. 	<ul style="list-style-type: none"> ■ La tondeuse ne peut être utilisée que lorsque l'opérateur est correctement assis sur le siège.
	<ul style="list-style-type: none"> ■ Le système de verrouillage de sécurité du siège n'est pas correctement connecté. 	<ul style="list-style-type: none"> ■ Retirez les batteries de la tondeuse et soulevez le dossier du siège pour vous assurer que la fiche du câble est correctement insérée dans la prise située en bas du siège (voir chapitre «INSTALLATION DU SIÈGE»). Suivez les consignes dans «DÉMARRAGE DE LA TONDEUSE» pour redémarrer la tondeuse et voir si elle démarre. Sinon, contactez le service client EGO pour la faire réparer.
	<ul style="list-style-type: none"> ■ Par temps très froid, la fonction de conduite peut ne pas démarrer correctement en raison de la protection contre les basses températures. 	<ul style="list-style-type: none"> ■ Stockez toujours la tondeuse et les batteries dans un environnement chaud. Redémarrez la tondeuse lorsqu'elle est moins froide. Ne faites pas de tentatives répétées par grand froid, car cela pourrait endommager la machine.
	<ul style="list-style-type: none"> ■ La trajectoire de déplacement de la pédale d'accélérateur est obstruée par des débris. 	<ul style="list-style-type: none"> ■ Retirez les débris le cas échéant.
	<ul style="list-style-type: none"> ■ Défaillance des composants mécaniques ou électroniques de la pédale d'accélérateur. 	<ul style="list-style-type: none"> ■ Contactez le service client EGO pour la réparation.
<ul style="list-style-type: none"> ■ Le levier de commande de direction est placé en position neutre. 	<ul style="list-style-type: none"> ■ Poussez/tirez le levier de commande de direction dans la direction « D » ou « R ». 	

PROBLÈME	CAUSE	SOLUTION
La tondeuse autoportée électrique cesse d'avancer.	<ul style="list-style-type: none"> ■ Lors du passage de la marche avant à la marche arrière pendant la conduite, le levier de commande de direction est resté longtemps en position neutre. 	<ul style="list-style-type: none"> ■ Relâchez la pédale d'accélérateur, puis appuyez à nouveau dessus.
	<ul style="list-style-type: none"> ■ Défaillance des composants électroniques de la pédale d'accélérateur. 	<ul style="list-style-type: none"> ■ Contactez le service client EGO pour la réparation.
	<ul style="list-style-type: none"> ■ Le système de verrouillage de sécurité du siège s'est déconnecté pendant la conduite sur un terrain accidenté. 	<ul style="list-style-type: none"> ■ Retirez les batteries de la tondeuse et soulevez le dossier du siège pour vous assurer que la fiche du câble est correctement insérée dans la prise située en bas du siège (voir chapitre «INSTALLATION DU SIÈGE»). Suivez les consignes dans «DÉMARRAGE DE LA TONDEUSE» pour redémarrer la tondeuse et voir si elle démarre. Contactez le service client EGO pour réparation.
	<ul style="list-style-type: none"> ■ Le poids de l'opérateur n'est pas uniformément réparti sur le siège. Le poids de l'opérateur sur le siège doit être d'au moins 20 kg pour que le système de verrouillage de sécurité du siège fonctionne correctement. 	<ol style="list-style-type: none"> 1. Asseyez-vous correctement sur le siège, appuyez à fond sur la pédale du frein de stationnement et relâchez-la, la tondeuse est alors prête à rouler. 2. Déconnectez les batteries et remettez-les en place si nécessaire.
	<ul style="list-style-type: none"> ■ Lorsque la pédale du frein de stationnement est suffisamment enfoncée, mais pas bloquée en position de stationnement, la tondeuse s'arrête. 	<ul style="list-style-type: none"> ■ Suivez les consignes dans «DÉMARRAGE DE LA TONDEUSE» pour redémarrer la tondeuse.
La tondeuse autoportée électrique ne parvient pas à démarrer les lames lorsque l'interrupteur de prise de force est activé. L'icône de l'interrupteur de prise de force clignote.	<ul style="list-style-type: none"> ■ L'ampérage combiné des batteries insérées ne répond pas aux exigences. 	<ul style="list-style-type: none"> ■ Pour démarrer la tondeuse, utilisez suffisamment de batteries EGO en suivant les consignes de la rubrique «INSERER/RETIRER LES BATTERIES» de ce manuel.
	<ul style="list-style-type: none"> ■ L'interrupteur de prise de force n'a pas été enfoncé lorsque la tondeuse a été éteinte la dernière fois. 	<ul style="list-style-type: none"> ■ Poussez l'interrupteur de prise de force vers le bas puis vers le haut pour redémarrer les moteurs de lame.
	<ul style="list-style-type: none"> ■ La tondeuse est surchargée au moment où les lames commencent à tourner, ce qui déclenche le système d'autoprotection du moteur. 	<ul style="list-style-type: none"> ■ Commencez d'abord à tondre l'herbe à la vitesse de lame la plus faible et n'accélérez que lorsque les lames tournent correctement.
	<ul style="list-style-type: none"> ■ Par grand froid, le moteur des lames peut ne pas démarrer correctement en raison de la protection contre les basses températures. 	<ul style="list-style-type: none"> ■ Stockez toujours la tondeuse et les batteries dans un environnement chaud. Redémarrez la tondeuse lorsqu'elle est moins froide. Ne faites pas de tentatives répétées par grand froid, car cela pourrait endommager la machine.
	<ul style="list-style-type: none"> ■ La lame interfère avec le plateau de coupe déformé. 	<ul style="list-style-type: none"> ■ Contactez le service client EGO pour réparation.
	<ul style="list-style-type: none"> ■ Le bac de ramassage d'herbe n'est pas installé correctement. 	<ul style="list-style-type: none"> ■ Installez correctement le bac d'après la rubrique «INSTALLATION DU BAC DE RAMASSAGE» du manuel.

PROBLÈME	CAUSE	SOLUTION
Les lames cessent de tourner pendant la coupe de l'herbe.	<ul style="list-style-type: none"> La tondeuse est en surcharge. 	<ul style="list-style-type: none"> Augmentez la hauteur de coupe du plateau ou ralentissez la vitesse de conduite pour réduire la charge de la tondeuse.
	<ul style="list-style-type: none"> Le plateau de la tondeuse est encrassé d'herbes et de débris. 	<ul style="list-style-type: none"> Nettoyez le plateau de coupe et assurez-vous que les lames puissent tourner librement.
	<ul style="list-style-type: none"> La tondeuse est en surchauffe. 	<ul style="list-style-type: none"> Réduisez la charge de la tondeuse en augmentant la hauteur de coupe du plateau ou en ralentissant la vitesse de la lame/de la tondeuse et laissez la tondeuse refroidir.
	<ul style="list-style-type: none"> Les batteries dans le compartiment des batteries de la tondeuse sont en surchauffe, la capacité nominale Ah combinée de toutes les batteries insérées n'est alors pas conforme à l'ampérage requis. 	<ol style="list-style-type: none"> La tondeuse peut continuer à fonctionner si la capacité nominale d'ampérage combinée des batteries, à l'exclusion des batteries surchauffées, est conforme à l'ampérage requis. Une fois qu'une batterie surchauffée revient à une température normale, elle se met immédiatement aussi à alimenter la tondeuse. Si l'intensité nominale combinée des batteries n'est pas conforme aux exigences, la tondeuse ne fonctionnera pas tant que d'autres batteries ne seront pas insérées dans les compartiments vacants. Réduisez la charge de la tondeuse en augmentant la hauteur de coupe du plateau ou en ralentissant la vitesse de conduite lors du redémarrage.
	<ul style="list-style-type: none"> La tondeuse est en mode de secours. 	<ul style="list-style-type: none"> Lorsque la tondeuse est en mode de secours, les lames se mettent automatiquement à tourner à basse vitesse. L'opérateur doit cesser de travailler et retourner dans la zone de charge de la batterie dès que possible.
	<ul style="list-style-type: none"> La tondeuse a été heurtée par un objet étranger, ce qui déclenche le système d'autoprotection du moteur. 	<ul style="list-style-type: none"> Poussez l'interrupteur de prise de force vers le bas puis vers le haut pour redémarrer les moteurs de lame.
	<ul style="list-style-type: none"> La tondeuse se déplace en marche arrière avec l'icône de MARCHE ARRIÈRE SANS TONTE allumée sur l'écran LCD. 	<ul style="list-style-type: none"> Appuyez sur l'interrupteur de prise de force et redémarrez les moteurs de lame en suivant les consignes de la rubrique «Activer la TONTE EN MARCHE ARRIÈRE».
L'indicateur sonore continue de retentir.	<ul style="list-style-type: none"> La tondeuse est en mode de secours et les lames ne sont pas arrêtées. 	<ul style="list-style-type: none"> Abaissez l'interrupteur de prise de force pour arrêter les moteurs de lames. L'indicateur sonore cessera de retentir lorsque les moteurs de lames s'arrêtent.
	<ul style="list-style-type: none"> La tondeuse est arrêtée sur une pente et l'opérateur se lève du siège sans mettre la pédale du frein de stationnement en position de freinage. 	<ul style="list-style-type: none"> Mettez la pédale du frein de stationnement en position de freinage avant de laisser la tondeuse sur la pente.
Les témoins d'alimentation des batteries restent allumés lorsque la tondeuse est éteinte.	<ul style="list-style-type: none"> Lorsque la tondeuse est éteinte sur un sol plat et que les batteries sont insérées, les témoins d'alimentation restent allumés pendant un certain temps. 	<ul style="list-style-type: none"> Aucune action n'est nécessaire. Les témoins de batterie s'éteignent après un certain temps lorsque la tondeuse est éteinte. Consultez la rubrique «ARRÊT DE LA TONDEUSE» pour connaître la durée précise.
	<ul style="list-style-type: none"> Lorsque la tondeuse est arrêté sur une pente sans que le frein de stationnement ne soit enclenché, les témoins d'alimentation des batteries resteront allumés jusqu'à ce que les batteries soient épuisées. L'indicateur sonore continue de retentir en même temps. 	<ul style="list-style-type: none"> Mettez la pédale du frein de stationnement en position de freinage avant de laisser la tondeuse sur la pente. Sinon, la tondeuse pourrait dévaler la pente.

PROBLÈME	CAUSE	SOLUTION
L'écran LCD ne s'allume pas avec toutes les icônes allumées.	<ul style="list-style-type: none"> Le bouton marche/arrêt n'est pas enfoncé suffisamment longtemps. 	<ol style="list-style-type: none"> L'écran LCD n'affiche la « jauge de carburant » que lorsque vous appuyez brièvement sur le bouton marche/arrêt. L'écran LCD s'allumera après avoir enfoncé complètement la pédale du frein de stationnement et appuyé simultanément sur le bouton marche/arrêt pendant une durée suffisante.
	<ul style="list-style-type: none"> Lorsque l'icône de clé de sécurité «» clignote sur l'écran LCD, la clé de sécurité n'est pas insérée. 	<ul style="list-style-type: none"> Insérez la clé de sécurité, puis enfoncez complètement la pédale du frein de stationnement et appuyez simultanément sur le bouton marche/arrêt pendant une durée suffisante pour allumer l'écran LCD.
	<ul style="list-style-type: none"> Lorsque l'icône du frein de stationnement «» clignote sur l'écran LCD, la pédale du frein de stationnement n'est pas complètement enfoncée. 	<ul style="list-style-type: none"> Insérez la clé de sécurité, puis enfoncez complètement la pédale du frein de stationnement et appuyez simultanément sur le bouton marche/arrêt pendant une durée suffisante pour allumer l'écran LCD.
La tondeuse tond de manière irrégulière, avec une différence de hauteur significative entre l'avant et l'arrière.	<ul style="list-style-type: none"> Les lames sont émoussées. 	<ul style="list-style-type: none"> Affûtez ou remplacez la lame de coupe comme indiqué dans ce manuel.
	<ul style="list-style-type: none"> Les lames sont pliées. 	<ul style="list-style-type: none"> Remplacez les lames de coupe tordues en suivant les consignes de la rubrique « Remplacement des lames de coupe ».
	<ul style="list-style-type: none"> Le plateau de coupe n'est pas nivelé, ce qui entraîne une différence de hauteur des lames. 	<ul style="list-style-type: none"> Mettez le plateau de coupe à niveau en suivant les consignes de la rubrique « Mise à niveau du plateau de coupe ».
La hauteur de coupe réelle de l'herbe n'est pas alignée avec la hauteur annoncée.	<ul style="list-style-type: none"> Les écrous du plateau de coupe sont desserrés sur la tringlerie de suspension. 	<ul style="list-style-type: none"> Suivez les consignes de la rubrique « Mise à niveau du plateau de coupe » pour effectuer un réglage correct de l'avant vers l'arrière du plateau de coupe et serrez fermement les écrous sur la tringlerie de suspension.
	<ul style="list-style-type: none"> Le plateau de coupe est endommagé ou gravement usé. 	<ul style="list-style-type: none"> Suivez les consignes de la rubrique « Retrait du plateau de coupe » pour faire remplacer le plateau de la tondeuse.
La tondeuse ne déchiquette pas correctement.	<ul style="list-style-type: none"> Des brins d'herbe mouillés sont collés sous le plateau de coupe. 	<ul style="list-style-type: none"> Attendez que l'herbe sèche avant de la tondre.
	<ul style="list-style-type: none"> La tondeuse est réglée pour couper trop d'herbe à la fois. 	<ul style="list-style-type: none"> Augmentez la hauteur de coupe du plateau.
Vibrations excessives.	<ul style="list-style-type: none"> Les lames de coupe sont lâches. 	<ul style="list-style-type: none"> Serrez le boulon de la lame au couple recommandé.
	<ul style="list-style-type: none"> Les lames sont pliées. 	<ul style="list-style-type: none"> Remplacez les lames de coupe tordues en suivant les consignes de la rubrique « Remplacement des lames de coupe ».
	<ul style="list-style-type: none"> Le plateau de coupe de la tondeuse n'est pas nivelé. 	<ul style="list-style-type: none"> Mettez le plateau de coupe à niveau en suivant les consignes de la rubrique « Mise à niveau du plateau de coupe ».
	<ul style="list-style-type: none"> Les écrous du plateau de coupe sont desserrés sur la tringlerie de suspension. 	<ul style="list-style-type: none"> Serrez les écrous de la tringlerie de suspension.
	<ul style="list-style-type: none"> Le plateau de coupe est réglé pour couper trop d'herbe à la fois. 	<ul style="list-style-type: none"> Augmentez la hauteur de coupe du plateau.

PROBLÈME	CAUSE	SOLUTION
Il reste de l'herbe ou des débris sur le sol après la tonte.	<ul style="list-style-type: none"> Le plateau de coupe est réglé pour couper trop d'herbe à la fois lorsque l'herbe est haute. 	<ul style="list-style-type: none"> Commencez par une hauteur de coupe élevée et réduisez-la jusqu'à ce que le résultat de tonte souhaité soit atteint. L'herbe de plus de 152 mm de hauteur doit être tondue deux fois, à des hauteurs de coupe de plus en plus basses.
	<ul style="list-style-type: none"> L'herbe est mouillée. 	<ul style="list-style-type: none"> Ne tondez pas lorsque l'herbe est mouillée. Attendez que l'herbe sèche.
	<ul style="list-style-type: none"> La vitesse d'avancement est élevée. 	<ul style="list-style-type: none"> Ralentissez la vitesse de conduite.
	<ul style="list-style-type: none"> La vitesse de la lame est faible. 	<ul style="list-style-type: none"> Augmentez progressivement la vitesse de la lame.
Durée de fonctionnement réduite avec les batteries insérées.	<ul style="list-style-type: none"> Le terrain de la pelouse, l'état de l'herbe, le réglage de la hauteur de coupe, la vitesse de conduite, la vitesse de la lame, etc. auront une influence considérable sur la durée de fonctionnement. 	<ul style="list-style-type: none"> Augmentez la hauteur de coupe du plateau et ralentissez la vitesse de la lame pour réduire la charge de coupe.
La tondeuse ne se déplace pas en ligne droite.	<ul style="list-style-type: none"> Les pressions des pneus des roues gauche et droite sont différentes. 	<ul style="list-style-type: none"> Vérifiez et réglez la pression d'air dans les pneus des roues avant et arrière, selon les recommandations de la rubrique « SPÉCIFICATIONS » de ce manuel.
La pédale du frein de stationnement ne peut pas être relâchée de la position de freinage ou est lente à revenir en arrière.	<ul style="list-style-type: none"> La trajectoire de la pédale du frein de stationnement est obstruée par des débris. 	<ul style="list-style-type: none"> Retirez les débris le cas échéant.
La tondeuse ne peut pas être chargée via le port de charge et le témoin d'état de la tondeuse est allumé en rouge fixe.	<ul style="list-style-type: none"> La fiche du chargeur n'est pas correctement insérée dans le port de charge de la tondeuse. 	<ul style="list-style-type: none"> Rebranchez la prise du chargeur pour voir si la tondeuse peut être chargée normalement.
	<ul style="list-style-type: none"> Il n'y a pas de courant dans les prises murales. 	<ul style="list-style-type: none"> Aucune action n'est nécessaire. Attendez que le courant revienne.
	<ul style="list-style-type: none"> Mauvais fonctionnement du chargeur. 	<ul style="list-style-type: none"> Veillez contacter le service client EGO et faire inspecter et/ou réparer le chargeur si nécessaire par un technicien qualifié.
	<ul style="list-style-type: none"> Le port de charge de la tondeuse est défectueux. 	<ul style="list-style-type: none"> Contactez le service client EGO pour réparation.
La durée de charge via le port de charge de la tondeuse est trop long.	<ul style="list-style-type: none"> La recharge à l'aide de l'adaptateur EGO ACA1000 dure longtemps. 	<ul style="list-style-type: none"> Utilisez le chargeur EGO CHV1600E pour charger directement la tondeuse autoportée électrique.
Les batteries ne peuvent pas être complètement chargées via le port de charge de la tondeuse.	<ul style="list-style-type: none"> Dysfonctionnement du micrologiciel de la tondeuse ou panne du chargeur/de la batterie. 	<ul style="list-style-type: none"> Réinitialisez le chargeur en le débranchant et en attendant plusieurs minutes. Rebranchez ensuite la fiche sur l'alimentation. Si cela ne résout pas le problème, contactez le service client EGO.
La tondeuse ne démarre pas après le nettoyage.	<ul style="list-style-type: none"> Nettoyage inadéquat, tel que de l'eau sur les composants électriques, l'écran LCD, etc. 	<ol style="list-style-type: none"> Suivez les consignes de la rubrique « ENTRETIEN GÉNÉRAL » pour nettoyer correctement la tondeuse. Si la tondeuse a pris la pluie accidentellement, laissez-la sécher à l'air libre ou utilisez de l'air comprimé pour la sécher.
Le plateau de la tondeuse s'encrasse rapidement.	<ul style="list-style-type: none"> Le plateau de coupe n'a pas été correctement nettoyé après utilisation. 	<ul style="list-style-type: none"> Nettoyez le plateau de coupe après chaque utilisation, en suivant les consignes de la rubrique « Utilisation du port de lavage pour nettoyer le plateau ».
La tondeuse perd facilement de la traction lorsqu'elle monte sur une pente.	<ul style="list-style-type: none"> Les pneus des roues arrière sont usés. 	<ul style="list-style-type: none"> Cherchez un centre local d'entretien pour remplacer les pneus de roue.
	<ul style="list-style-type: none"> La tondeuse est utilisée sur une pente raide. 	<ul style="list-style-type: none"> La tondeuse ne doit pas être utilisée pour tondre des pentes plus raides qu'aux degrés indiqués.

PROBLÈME	CAUSE	SOLUTION
Lorsque la tondeuse est arrêtée sur une pente avec la pédale du frein de stationnement engagée, la tondeuse peut encore descendre la pente.	<ul style="list-style-type: none"> Les composants du frein sont excessivement usés en raison d'une mauvaise utilisation de la tondeuse. 	<ul style="list-style-type: none"> Contactez le service client EGO pour la réparation.
Il n'y a pas d'eau provenant du port de lavage lorsque vous essayez de laver le plateau.	<ul style="list-style-type: none"> Le raccord rapide du port de lavage n'est pas correctement monté sur le port de lavage. 	<ul style="list-style-type: none"> Remettez en place le raccord rapide du port de lavage jusqu'à ce que vous entendiez un dé clic clair après avoir poussé fermement. Si cela ne fonctionne pas, contactez le service client EGO.
Un bruit anormal se fait entendre lorsque vous poussez manuellement la tondeuse sans la démarrer.	<ul style="list-style-type: none"> Le bruit provient des aimants à l'intérieur du moteur d'entraînement. 	<ul style="list-style-type: none"> Ce phénomène est normal et aucune action n'est nécessaire.
Le volant ne tourne pas.	<ul style="list-style-type: none"> L'assemblage du volant est obstrué par des débris. 	<ul style="list-style-type: none"> Retirez les débris le cas échéant.
La tondeuse ne tourne pas à gauche/droite lorsque vous tournez le volant.	<ul style="list-style-type: none"> Défaillance de composants électroniques ou mécaniques. 	<ul style="list-style-type: none"> Contactez le service client EGO pour réparation.
La tondeuse ne parvient pas à s'arrêter lorsque l'on relâche la pédale d'accélérateur.	<ul style="list-style-type: none"> Le chemin de retour de la pédale d'accélérateur est obstrué par des débris. 	<ul style="list-style-type: none"> Retirez les débris le cas échéant.
	<ul style="list-style-type: none"> Le bouton du régulateur de vitesse est enfoncé par inadvertance pendant la conduite. La tondeuse est en mode régulateur de vitesse. 	<ul style="list-style-type: none"> Vérifiez si l'icône du régulateur de vitesse (CCS) est allumée sur l'écran LCD et quittez le mode si nécessaire. Consultez la rubrique « UTILISATION DU RÉGULATEUR DE VITESSE (CCS) »
La fonction CCS ne peut pas être activée ou désactivée.	<ul style="list-style-type: none"> Le bouton du régulateur de vitesse n'est pas enfoncé correctement. 	<ul style="list-style-type: none"> Appuyez sur le bouton du régulateur de vitesse jusqu'à ce que l'icône CCS s'allume sur l'écran LCD ou en disparaisse.
Les roues avant de la tondeuse tournent en émettant un bruit anormal.	<ul style="list-style-type: none"> Les chemises d'arbre des roues avant nécessitent une lubrification. 	<ul style="list-style-type: none"> Retirez les packs de batteries, puis remplissez les orifices d'injection de graisse jusqu'à ce que la graisse déborde du bord supérieur ou inférieur des chemises d'arbre des roues avant.

TÉMOINS D'ÉTAT DE LA TONDEUSE

FR

Écran LCD	Description	Témoin d'état de la tondeuse autoportée	Indicateur sonore	Cause	Solution
	Icône de jauge de carburant	ÉTEINT	Non	Cela indique la capacité de charge moyenne des batteries insérées	Il s'agit d'un fonctionnement normal. Aucune action n'est nécessaire.
	Icône de compteur horaire	ÉTEINT	Non	Ceci indique le temps de conduite total de la tondeuse, en heures, et ne peut être réinitialisé.	Il s'agit d'un fonctionnement normal. Aucune action n'est nécessaire.
	Icône d'indicateur de charge	ÉTEINT	Non	Ceci indique la charge actuelle de la tondeuse.	Il s'agit d'un fonctionnement normal. Aucune action n'est nécessaire.
	L'icône de l'éclairage LED s'allume sur l'écran LCD.	ÉTEINT	Non	Les phares s'allument avec l'interrupteur d'éclairage LED.	Il s'agit d'un fonctionnement normal. Aucune action n'est nécessaire.
	L'icône Bluetooth s'allume sur l'écran LCD	ÉTEINT	Non	La tondeuse est connectée à un appareil mobile via Bluetooth.	Il s'agit d'un fonctionnement normal. Aucune action n'est nécessaire.
	L'icône de MARCHE ARRIÈRE SANS TONTE s'allume sur l'écran LCD.	ÉTEINT	Non	Ceci indique que les lames ne peuvent pas être mises en marche lorsque la tondeuse recule.	Il s'agit d'un fonctionnement normal. Si nécessaire, mettez en marche les lames pendant la marche arrière en suivant les consignes de la rubrique « DÉMARRAGE DES LAMES PENDANT LA CONDUITE EN ARRIÈRE » du manuel.
	L'icône de marche avant s'allume sur l'écran LCD.	ÉTEINT	Non	Ceci indique que la tondeuse est prête à rouler ou avance.	Il s'agit d'un fonctionnement normal. Placez le levier de commande de direction en position « D », neutre ou « R » selon les besoins.
	L'icône de marche arrière s'allume sur l'écran LCD.	ÉTEINT	Non	Ceci indique que la tondeuse est prête à rouler ou recule.	
	L'icône de marche avant et l'icône de marche arrière clignotent alternativement	ÉTEINT	Non	Ceci indique que la tondeuse n'est pas prête à rouler.	
	L'icône de la clé de sécurité s'allume	ÉTEINT	Non	La clé de sécurité est insérée correctement.	Il s'agit d'un fonctionnement normal. Aucune action n'est nécessaire.
	L'icône de la clé de sécurité clignote lorsque l'écran LCD affiche la « jauge de carburant ».	ÉTEINT	Non	La clé de sécurité n'est pas insérée. L'assemblage du boîtier du panneau de commande de la clé est cassé.	Insérez la clé de sécurité puis enfoncez à fond la pédale du frein de stationnement et appuyez simultanément sur le bouton START/STOP pendant plus de 3 secondes pour mettre en marche la tondeuse. Contactez le service client EGO pour la réparation.

Écran LCD	Description	Témoin d'état de la tondeuse autoportée	Indicateur sonore	Cause	Solution
	L'icône du frein de stationnement clignote lorsque l'écran LCD affiche la « jauge de carburant ».	ÉTEINT	Non	La pédale du frein de stationnement n'est pas enfoncée.	Avec la clé de sécurité insérée, enfoncez à fond la pédale du frein de stationnement et appuyez simultanément sur le bouton START/STOP pendant plus de 3 secondes pour mettre en marche la tondeuse.
	L'icône du frein de stationnement clignote lorsque l'écran LCD affiche l'interface opérateur.	ÉTEINT	Non	Appuyez sur la pédale d'accélérateur avant d'appuyer sur la pédale de frein de stationnement pour faire briller le témoin de la tondeuse en vert.	Démarez correctement la tondeuse en suivant les consignes de la rubrique « DÉMARRAGE DE LA TONDEUSE ».
	L'icône du frein de stationnement s'allume	ÉTEINT	Non	La pédale du frein de stationnement est en position frein de stationnement.	Relâchez-la avant de démarrer la tondeuse.
	L'icône du capteur de siège s'allume	ÉTEINT	Non	L'opérateur n'est plus assis sur le siège ou le système de verrouillage de sécurité du siège est déconnecté.	Si, alors que l'opérateur est assis sur le siège, l'icône est allumée, arrêtez immédiatement d'utiliser la tondeuse et vérifiez la connexion du siège. Si la connexion du siège avec la tondeuse est bien établie, veuillez contacter un technicien qualifié pour la réparation.
	L'icône de l'interrupteur de prise de force clignote	ÉTEINT	Non	Le moteur de la lame a été interrompu en cours de fonctionnement et l'interrupteur de la prise de force n'est pas en position d'arrêt.	Avant de redémarrer la tondeuse, poussez l'interrupteur de prise de force vers le bas pour arrêter les moteurs de lame. Veuillez consulter la rubrique « DÉPANNAGE » de ce manuel pour référence.
	L'icône d'un compartiment de batterie clignote.	ÉTEINT	Non	Une batterie en décharge est en surintensité.	Aucune action n'est nécessaire. La tondeuse peut continuer à fonctionner si la capacité nominale Ah combinée des batteries, à l'exclusion de la batterie en surintensité, est égale ou supérieure à 15 Ah. Une fois que la batterie en surintensité revient à la normale, elle se met immédiatement à alimenter la tondeuse et l'icône disparaît.
	L'icône du compartiment de la batterie vide clignote	ÉTEINT	Non	La capacité de la batterie n'est pas suffisante pour permettre à la tondeuse autoportée de fonctionner.	Pour démarrer la tondeuse, utilisez suffisamment de batteries EGO en suivant les consignes de la rubrique « INSERER/RETIRER LES BATTERIES » de ce manuel.

Écran LCD	Description	Témoin d'état de la tondeuse autoportée	Indicateur sonore	Cause	Solution
	L'icône de température et l'icône d'un compartiment de batterie occupé clignotent en même temps.	ÉTEINT	Non	Le bloc de batteries dans le compartiment numéroté correspondant est surchauffé.	<ol style="list-style-type: none"> La tondeuse peut continuer à fonctionner si la capacité nominale d'ampérage combinée des batteries, à l'exclusion des batteries surchauffées, est conforme à l'ampérage requis. Une fois qu'une batterie surchauffée revient à une température normale, elle se met immédiatement aussi à alimenter la tondeuse. Si l'intensité nominale combinée des batteries n'est pas conforme aux exigences, la tondeuse ne fonctionnera pas tant que d'autres batteries ne seront pas insérées dans les compartiments vacants. Réduisez la charge de la tondeuse en augmentant la hauteur de coupe du plateau ou en ralentissant la vitesse de conduite lors du redémarrage.
	L'icône de température clignote.	ÉTEINT	Un bip	<p>La tondeuse est en surchauffe.</p> <p>La tondeuse est trop froide.</p>	<p>Réduisez la charge de la tondeuse en augmentant la hauteur de coupe du plateau ou en ralentissant la vitesse de la lame/de la tondeuse. Faites une pause et laissez la tondeuse refroidir.</p> <p>Veillez ne pas faire de tentatives répétées qui pourraient endommager la machine. Stockez toujours la tondeuse et les batteries dans un environnement chaud. Redémarrez la tondeuse lorsqu'elle est moins froide.</p>
	L'icône d'alerte clignote	Clignote en rouge	Un bip	<p>Le moteur de la lame est surchargé.</p> <p>La goulotte d'éjection latérale est obstruée par de l'herbe et des débris.</p> <p>Il y a une interférence entre la lame et le plateau de la tondeuse.</p>	<p>Augmentez la hauteur de coupe du plateau ou ralentissez la vitesse de conduite pour réduire la charge de la tondeuse.</p> <p>Nettoyez la goulotte d'éjection latérale après chaque utilisation.</p> <p>Contactez le service client EGO</p>
	Les icônes de chaque compartiment de batterie occupé et l'icône d'alerte clignotent toutes les secondes en même temps sur l'écran LCD.	Clignote en rouge	Continue à émettre des bips jusqu'à ce que l'interrupteur de la prise de force soit poussé vers le bas.	Les batteries sont presque vides et la tondeuse est en mode de secours.	<p>Arrêtez de travailler et retournez dans la zone de charge de la batterie.</p> <p>REMARQUE : Lorsque la tondeuse est en mode de secours, les lames se mettent automatiquement à tourner à basse vitesse et l'indicateur sonore retentit. L'opérateur doit pousser l'interrupteur de prise de force vers le bas pour arrêter les moteurs de lame. L'indicateur sonore cessera de bipper après l'arrêt des lames.</p>

Écran LCD	Description	Témoin d'état de la tondeuse autoportée	Indicateur sonore	Cause	Solution
	L'icône de chaque compartiment de batterie occupé et l'icône d'alerte clignotent toutes les demi-secondes.	Clignote en rouge	Continue à émettre des bips	Le moteur de la lame a été interrompu en cours de fonctionnement et l'interrupteur de la prise de force n'est pas en position d'arrêt.	La tondeuse cesse immédiatement de fonctionner. L'opérateur doit transporter la tondeuse jusqu'à la zone de charge de la batterie pour la recharger.
	L'icône CCS s'allume sur l'écran LCD	S'allume en vert	Non	La tondeuse continue d'avancer à une vitesse définie sans avoir besoin d'appuyer sur la pédale d'accélérateur.	Il s'agit d'un fonctionnement normal. Si nécessaire, désactivez la fonction CCS en suivant les consignes de la rubrique « Pour arrêter (quitter) le régulateur de vitesse (CCS) » du manuel.
	L'icône CCS clignote sur l'écran LCD.	ÉTEINT	Non	La fonction CCS (système de régulation de vitesse) ne fonctionne pas. La pédale du frein de stationnement est enfoncée pour arrêter la tondeuse.	La fonction de régulation de vitesse (CCS) ne peut pas être réglée lorsque la tondeuse roule à très basse vitesse ou en marche arrière. Après avoir relâché la pédale du frein de stationnement, appuyez sur le bouton CCS et l'icône CCS s'allume sur l'écran LCD, ou quittez la fonction CCS en suivant les consignes de la rubrique « Pour arrêter (quitter) le régulateur de vitesse (CCS) ».
	Aucune icône de bac de ramassage ne s'allume sur l'écran LCD	n/a	Non	Ceci indique que le bac de ramassage n'est pas monté sur la tondeuse ou qu'il n'est pas monté correctement.	Montez correctement le bac sur la tondeuse.
	L'icône de bac plein clignote sur l'écran LCD	n/a	Non	Ceci indique que le bac de ramassage est plein.	Videz le bac et remettez-le en place correctement.
n/a	n/a	ÉTEINT	Continue à émettre des bips	La tondeuse est garée sur une pente et l'opérateur quitte la tondeuse sans mettre la pédale du frein de stationnement en position de freinage.	Placez la pédale du frein de stationnement en position de freinage. L'icône du frein de stationnement s'allume et l'indicateur sonore cesse de retentir.
ÉTEINT	Défaut du port de charge	ROUGE fixe	n/a	Il n'y a pas d'alimentation électrique.	Vérifiez la prise murale pour voir si elle est alimentée en 220 V-240 V ou si la prise est adaptée.
		ROUGE fixe	n/a	Défauts électroniques, par exemple le port de charge est en circuit ouvert, le fusible est grillé, etc.	Contactez le service client EGO pour la réparation.

RÉFÉRENCE DE CODE D'ERREUR

FR

Description	Code d'erreur sur l'écran LCD	Indicateur sonore	Solution
Le moteur de la lame gauche ne tourne pas	509	Un bip	Inspectez d'abord la lame. S'il est desserré, serrez le boulon avec le couple recommandé. Sinon, contactez le service client EGO pour la réparation.
Le moteur de la lame droite ne tourne pas	609	Un bip	

REMARQUE : Pour tout autre code d'erreur apparaissant sur l'écran LCD et pouvant indiquer une défaillance du circuit imprimé, un raccord desserré, une défaillance du moteur d'entraînement, des moteurs de lames, etc., veuillez retirer tous les blocs de batteries et les réinsérer quelques minutes plus tard pour redémarrer la tondeuse. Si cela ne résout pas le problème, prenez note du code d'erreur et contactez le service client EGO pour la réparation.

GARANTIE

POLITIQUE DE GARANTIE EGO

Rendez-vous sur le site web egopowerplus.eu pour consulter l'intégralité des conditions de la politique de garantie EGO.

¡LEA TODAS LAS INSTRUCCIONES!



LEER EL MANUAL DEL USUARIO

ES

SÍMBOLO DE SEGURIDAD

El propósito de los símbolos de seguridad es atraer su atención hacia posibles peligros. Los símbolos de seguridad y las explicaciones que los acompañan requieren su máxima atención y comprensión. Por sí solos, los símbolos de advertencia no eliminan los posibles peligros. Las instrucciones y advertencias que proporcionan no sustituyen a las medidas adecuadas de prevención de accidentes.

⚠ ADVERTENCIA: Antes de utilizar esta herramienta, asegúrese de haber leído y entendido perfectamente todas las instrucciones que aparecen en este manual del usuario, incluidos todos los símbolos de aviso sobre seguridad, como «PELIGRO», «ADVERTENCIA» y «PRECAUCIÓN». Si no se observan todas las instrucciones que se indican a continuación existe riesgo de incendio, electrocución y lesiones graves.

SIGNIFICADO DE LOS SÍMBOLOS

Esta página muestra y describe los símbolos de seguridad que puede haber en este producto. Asegúrese de leer, comprender y cumplir todas las instrucciones que se indican en la máquina antes de proceder a su montaje y utilización.

SÍMBOLOS DE SEGURIDAD

	Aviso de seguridad		Lea y comprenda el manual del usuario
	Protección ocular		Mantener los dispositivos de seguridad
	PELIGRO – Riesgo por pendiente pronunciada		PELIGRO – Mantener a otras personas alejadas de las cuchillas
	No llevar nunca niños		Mirar hacia atrás al retroceder
	ADVERTENCIA - No utilice esta máquina en pendientes superiores a 12°		PELIGRO – Objetos lanzados
	ADVERTENCIA – MANTENGA LAS MANOS Y LOS PIES ALEJADOS		Nivel de potencia acústica garantizado. Cumple la directiva de la Comunidad Europea.
	No pisar		Los productos eléctricos no deben eliminarse con la basura doméstica. Lívelos a un centro de reciclaje autorizado.
	Este producto está en conformidad con las directivas aplicables de la CE.		PRECAUCIÓN – No mire hacia la lámpara en funcionamiento
	Corriente continua		Este producto está en conformidad con la legislación aplicable del Reino Unido.

kPa	Kilopascal
V	Voltio
in	Pulgada
Nm	Newtonmetro
°C	Celsius
km/h	Kilómetros por hora

RPM	Revoluciones por minuto
m	Metros
cm	Centímetros
mm	Milímetros
kg	Kilogramo
IPX4	Grado de protección contra la penetración

SÍMBOLOS EN ESTE MANUAL



Es necesario tener en cuenta la información



La acción indicada se detiene

ESPECIFICACIONES

Tensión	56 V	
Tamaño de la plataforma	98 cm	
Tamaño de las ruedas	Delante	15 x 6 – 6 pulgadas
	Detrás	18 x 7,5 – 8 pulgadas
Presión de los neumáticos en frío	Delante	96,5 kPa
	Detrás	170 kPa
Velocidad de la cuchilla (rpm)	Hasta 3000	
Velocidad máxima de conducción	Avance	Hasta 9,6 km/h
	Retroceso	Hasta 4,8 km/h
Ajuste de altura de corte (12 posiciones)	De 25 a 100 mm	
Rango de temperatura de carga	De 5 °C a 40 °C	
Temperatura de funcionamiento	De 0 °C a 40 °C	
Temperatura de almacenamiento	De -20 °C a 70 °C	
Peso (sin batería)	220 kg	
Nivel de potencia acústica ponderado (L _{WA})	97,7 dB(A) K=1,75 dB(A)	
Nivel de presión acústica medido a la altura del oído del usuario (L _{PA})	83,6 dB(A) K=3 dB(A)	
Nivel de potencia acústica garantizado L _{WA} (medido según 2000/14/CE)	100 dB(A)	
Nivel de vibraciones a _h	Mano	0,24 m/s ² K=1,5 m/s ²
	Cuerpo	0,18 m/s ² K=1,5 m/s ²

- El valor de vibración total ha sido medido de acuerdo con el método de prueba estándar y se puede utilizar para comparar herramientas.
- El valor total de vibración declarado se puede usar además en una evaluación preliminar del grado de exposición.

AVISO: Las vibraciones generadas durante el uso real de la herramienta eléctrica pueden diferir del valor declarado en función de la manera en que se utilice. Como protección, el usuario debería utilizar guantes y protectores auditivos en condiciones reales de uso.

ACCESORIOS RECOMENDADOS

⚠ ADVERTENCIA: Utilice solo los accesorios que se enumeran a continuación. La utilización de accesorios que no cumplan las especificaciones de los equipos originales podría provocar un funcionamiento incorrecto y reducir la seguridad de la herramienta.

NOMBRE DE LA PIEZA	N.º DE MODELO
Juego de cuchillas de recogida	AB3801TD
Adaptador para triturado	AMP3800T

DESCRIPCIÓN

CONOZCA EL TRACTOR (Fig. A1)

- Asiento
- Soportes para vasos
- Rueda trasera (rueda motriz) (2 ud.)
- Conexión de lavado (2 ud.)
- Plataforma
- Rueda antidesbroce (2 ud.)
- Rueda delantera (2 ud.)
- Parachoques delantero
- Pedal de freno de estacionamiento
- Faro LED (2 ud.)
- Unidad de potencia
- Compartimento de almacenamiento
- Palanca de bloqueo del freno de estacionamiento
- Volante
- Palanca de ajuste de la posición del asiento

16. Bolsa colectora de hierba
17. Puerto de carga
18. Puerto USB
19. Cesta de almacenamiento
20. Acelerador
21. Palanca de ajuste de la altura de la plataforma
22. Palanca basculante
23. Asa
24. Indicador de estado del tractor
25. Botón de ajuste de la velocidad de las cuchillas
26. Botón CORTE MARCHA ATRÁS
27. Botón de arranque/parada
28. Palanca de control de dirección
29. Llave de seguridad
30. Interruptor de toma de fuerza
31. Botón CCS
32. Botón de luz LED / Botón Bluetooth
33. Botón de ajuste de la velocidad de conducción
34. Botón para desbloquear la cubierta de la unidad de potencia
35. Cubierta de la unidad de potencia
36. Unidad de potencia con seis compartimentos de batería
37. Botón de liberación de la batería

FAMILIARÍCESE CON LA PANTALLA LCD (Fig. A2)

Consulte el apartado «REFERENCIA DEL ESTADO DEL TRACTOR CORTACÉSPED» y «REFERENCIA DE CÓDIGOS DE ERROR» para obtener más información sobre los símbolos e indicadores en la pantalla LCD.

1. Símbolo de CCS
2. Indicador de estado del dispositivo de seguridad
3. Símbolo de CORTE MARCHA ATRÁS DESACTIVADO
4. Símbolo de conducción
5. Símbolo de marcha atrás
6. Símbolo de la llave de seguridad
7. Símbolo de las luces LED
8. Símbolo de Bluetooth
9. Indicador de la velocidad de la cuchilla
10. Contador de horas
11. Indicador de energía
12. Símbolo de temperatura
13. Símbolo de alerta (sobrecarga/baja potencia)
14. Símbolo de compartimento de batería vacante
15. Símbolo de compartimento de batería ocupado
16. Indicador de código de error
17. Indicador de carga
18. Indicador de la velocidad de conducción
19. Símbolo de bolsa llena
20. Símbolo de ausencia de bolsa

DESEMBALAJE

AVISO: Guarde los materiales de embalaje hasta haber examinado detenidamente el producto y comprobado su funcionamiento correcto. Si alguna pieza de la lista de contenido está instalada en la máquina, póngase en contacto con el servicio de atención al cliente de EGO inmediatamente.

AVISO: Excepto las herramientas en la lista de contenido siguiente, todas las demás herramientas que se mencionan en los manuales solo están recomendadas, pero no incluidas.

ES

LISTA DE CONTENIDO (Fig. B)

B-1	Tractor cortacésped eléctrico	B-2	Asiento
B-3	Volante	B-4	Tapa de protección contra el polvo
B-5	Llaves combinadas	B-6	Llave de vaso de 18 mm
B-7	Tornillos escalonados (1 de reserva)	B-8	Tuercas M8 (1 de reserva)
B-9	Tuercas M12 (1 de reserva)	B-10	Arandelas (1 de reserva)
B-11	Llave de seguridad	B-12	Acoplamiento rápido de la conexión de lavado
B-13	Manual del usuario	B-14	Bolsa colectora de hierba (con dos juegos de tornillos y tuercas para soportes laterales)
B-15	Soporte en forma de U	B-16	Soporte lateral
B-17	Palanca basculante	B-18	Escuadra para soporte de bolsa izquierda y derecha
B-19	Barra transversal	B-20	Tornillo M8X40
B-21	Tornillo M8X25	B-22	Tuerca M8

MONTAJE

INSTALACIÓN DEL VOLANTE (Fig. C1)

C1-1	Columna de dirección	C1-2	Volante
C1-3	Línea central	C1-4	Arandela
C1-5	Tuerca	C1-6	Llave de vaso de 18 mm
C1-7	Tapacubos		

INSTALACIÓN DEL ASIENTO (Fig. C2)

⚠ ADVERTENCIA: El sistema de enclavamiento de seguridad no debe desconectarse ni evitarse. De lo contrario, el tractor se podría poner en marcha inesperadamente y provocar lesiones personales.

C2-1	Asiento	C2-2	Tuerca (M8)
C2-3	Tornillo escalonado	C2-4	Conexión
C2-5	Enchufe		

INSTALACIÓN DE LA BOLSA COLECTORA DE HIERBA (Fig. C3 – C8)

ES

C3-1	Soporte en forma de U	C3-2	Bolsa colectora de hierba
C3-2	4 juegos de tornillos y tuercas (M8 x 40)	C3-4	Llave combinada
C4-1	Soportes laterales	C4-2	4 juegos de tornillos y tuercas (M8 x 40)
C4-3	Llave combinada	C5-1	Palanca basculante
C5-2	1 juego de tornillo y tuerca (M8 x 40)	C5-3	Llave combinada
C6-1	Escuadras de soporte de la bolsa colectora de hierba	C6-2	4 juegos de tornillos y tuercas (M8 x 25)
C6-3	Llaves combinadas	C7-1	Barra transversal
C7-2	2 tuercas (M8)	C7-3	Llave combinada

AJUSTE

ANTES DEL AJUSTE (Fig. D1)

AJUSTE DE LA ALTURA DE LA PLATAFORMA DE CORTE (Fig. D2)

AJUSTE DE LAS RUEDAS ANTIDESBROCE (Fig. D3 – D6)

D3-1	Ruedas antidesbroce	D5-1	Tuerca
D5-2	Perno de tope	D6-1	Indicación de la altura de la plataforma

AJUSTE DEL ASIENTO (Fig. D7)

D7-1	Palanca de ajuste de la posición del asiento
------	--

FUNCIONAMIENTO

ANTES DEL USO (Fig. E1)

AJUSTE DEL FRENO DE ESTACIONAMIENTO (Fig. E2)

E2-1	Posición del freno de estacionamiento	E2-2	Posición sin accionar el freno
------	---------------------------------------	------	--------------------------------

⚠ ¡ADVERTENCIA! EL PEDAL DEL FRENO DE ESTACIONAMIENTO NO PUEDE REDUCIR LA VELOCIDAD DE CONDUCCIÓN. NUNCA INTENTE PRESIONAR EL PEDAL DEL FRENO DE ESTACIONAMIENTO PARA REDUCIR LA VELOCIDAD DE CONDUCCIÓN DURANTE LA CONDUCCIÓN. CUANDO EL PEDAL DEL FRENO DE ESTACIONAMIENTO ESTÁ PRESIONADO PERO NO ESTÁ ACTIVADO EN LA POSICIÓN DE FRENO DE ESTACIONAMIENTO, EL FRENO ELÉCTRICO YA NO ES EFECTIVO Y EL TRACTOR DEJARÁ DE MOVERSE SOBRE UNA SUPERFICIE PLANA. PERO SI ESTO SUCEDE EN UNA PENDIENTE, EL TRACTOR PUEDE DESLIZARSE POR LA PENDIENTE CUANDO SE SUELTA EL PEDAL DEL FRENO DE ESTACIONAMIENTO.

⚠ ¡ADVERTENCIA! TIRE DE LA PALANCA DE BLOQUEO DEL FRENO DE ESTACIONAMIENTO Y PRESIONE EL PEDAL DEL FRENO DE ESTACIONAMIENTO INMEDIATAMENTE PARA ACTIVARLO EN LA POSICIÓN DEL FRENO DE ESTACIONAMIENTO EN CASO DE QUE OCURRA ALGUNA EMERGENCIA. EL TRACTOR SE DETENDRÁ INMEDIATAMENTE Y NO SE DESLIZARÁ POR LA PENDIENTE.

INSTALAR/QUITAR LA BATERÍA (Fig. E3 – E6)

Para poner en marcha este tractor cortacésped, se necesitan baterías EGO con un total de 15 Ah (2 x BA4200/BA4200T) como mínimo. Para obtener un rendimiento óptimo, recomendamos usar baterías EGO con un total de 30 Ah como mínimo.

E3-1	Botón de liberación de la tapa	E5-1	Botón de liberación de la batería
------	--------------------------------	------	-----------------------------------

CARGA DEL TRACTOR

Utilice únicamente las baterías y cargadores recomendados

- Cargue la(s) batería(s) por separado (fig. E7)

AVISO: Consulte los manuales correspondientes de la batería y el cargador para obtener instrucciones detalladas.

- Cargue la(s) batería(s) a través del puerto de carga (fig. E8 – E10)

E10-1	Tapa de protección contra el polvo	E10-2	Puerto de carga
-------	------------------------------------	-------	-----------------

COMPROBACIÓN DEL SISTEMA DE ENCLAVAMIENTO DE SEGURIDAD.

- Para comprobar el sistema de las cuchillas y la plataforma (fig. E11 – E12)
- Para comprobar el sistema de conducción (fig. E13 – E14)

En caso de que el sistema de las cuchillas y la plataforma y/o el sistema de conducción no se detengan cuando el usuario no está en el asiento, y si no se puede determinar la causa después de confirmar que el enchufe está bien conectado a la toma del asiento, póngase en contacto inmediatamente con el centro de atención al cliente de EGO.

TECNOLOGÍA DE COMUNICACIÓN

Para obtener información sobre nuestra gama completa de productos y servicios conectados, incluidas las instrucciones de conexión, escanee el código QR que aparece a continuación o visite www.egopowerplus.eu/connect.



LISTA DE COMPROBACIÓN ANTES DEL USO

- Asegúrese de que en el área de trabajo no haya niños ni otras personas o animales.
- Despeje el área de trabajo retirando los objetos que podrían salir despedidos por la acción de las cuchillas del tractor.
- Limpie los residuos del tractor.
- Compruebe si hay elementos de sujeción sueltos.
- Compruebe que todos los dispositivos de protección estén en su lugar y funcionen correctamente.
- Compruebe visualmente si los neumáticos están inflados.
- Comprobar el funcionamiento del freno.
- Ajuste la altura de la plataforma a la posición de corte deseada que sea más conveniente para el césped, y ajuste las ruedas antidesbroce adecuadamente.
- Ajuste la posición del asiento y asegúrese de que se puedan alcanzar ambos pedales.
- Compruebe el nivel de carga de la batería.
- Compruebe el sistema de enclavamiento de seguridad.
- Asegúrese de que la bolsa colectora de césped esté instalada correctamente.

ARRANCAR EL TRACTOR (Fig. E15 – Fig. E16)

⚠ ¡ADVERTENCIA! Evite los arranques, paradas y giros bruscos, así como la velocidad excesiva, especialmente cuando esté aprendiendo a usar el tractor. El tractor puede girar rápidamente, lo que podría hacerle perder el control y provocar lesiones graves o daños materiales.

⚠ ¡ADVERTENCIA! Antes de poner en marcha el tractor, compruebe que las cuchillas se desconecten en el transcurso de 5 s cuando se empuja hacia abajo el interruptor de toma de fuerza. Si las cuchillas no se paran, no utilice el tractor y póngase en contacto inmediatamente con el servicio de atención al cliente de EGO.

NOTA:

- Si el pedal del freno de estacionamiento está ajustado en la posición de freno de estacionamiento, solo debe presionar el botón de arranque / parada durante 3 segundos para iluminar la pantalla LCD y luego soltar el pedal del freno de estacionamiento antes de conducir el tractor.
- Las cuchillas de corte se pueden iniciar en cualquier momento una vez que la pantalla LCD esté completamente iluminada y la palanca de control de dirección no esté retirada hacia atrás en la dirección «R». Para encender las cuchillas mientras se conduce el tractor marcha atrás, consulte la sección «**ENCENDER LAS CUCHILLAS MIENTRAS SE CONDUCE MARCHA ATRÁS**» en este manual.

AVISO: Siga las indicaciones de la Fig. E17 para obtener la velocidad de conducción más baja hasta que sea completamente capaz de manejar el tractor en todas las situaciones.

El tractor cortacésped eléctrico no memoriza los ajustes de velocidad de conducción y velocidad de la cuchilla. La velocidad de conducción y la velocidad de la cuchilla volverán al nivel 2 cada vez que se apague el tractor.

Ajuste de la velocidad de conducción (fig. E17)

Ajuste de la velocidad de la cuchilla (fig. E18)

NOTA: Cuando esté en el «Nivel 3», presione el botón de ajuste de velocidad de la cuchilla nuevamente y la velocidad de la cuchilla reanudará la velocidad anterior.

Luces LED (fig. E19)

- Las luces LED se pueden encender y apagar mediante el interruptor de las luces LED.

Puerto USB

AVISO: El puerto USB proporciona potencia de carga de 5 voltios CC a un consumo combinado de 1,5 amperios, y solo se acciona cuando el tractor se arranca.

PARAR EL TRACTOR (Fig. E20)

⚠ ¡ADVERTENCIA! ¡Siempre coloque el pedal del freno de estacionamiento en la posición de freno de estacionamiento cuando el tractor se pare en una pendiente, ya que, de lo contrario, el tractor puede deslizarse por la pendiente, pudiendo causar daños graves al tractor o lesiones personales!

NOTA: En una situación en la que el pedal del freno de estacionamiento está ajustado a la posición de freno de estacionamiento y el usuario está fuera del asiento, pero no se han quitado las baterías:

- En caso de que la pantalla LCD esté apagada, los indicadores de la batería, el botón de arranque/parada y el botón CCS permanecerán encendidos durante 1 hora.
- En caso de que la pantalla LCD muestre el «indicador de energía» o la interfaz del usuario, el tractor se apagará automáticamente después de 1 hora.

Modo de conducción de emergencia

Cuando la carga de la batería baje hasta un nivel crítico, el tractor entrará en modo de conducción de emergencia para conservar suficiente energía para regresar al área de carga.

- Las cuchillas pasarán a baja velocidad de rotación, pudiendo cortar solo muy poca hierba. Si encuentran hierba alta y densa, las cuchillas dejarán de girar. El indicador acústico sonará (pitido) de forma intermitente.
- El indicador de estado del tractor parpadeará en rojo cada segundo, tanto el símbolo de alerta (baja potencia) como el símbolo de cada compartimento de batería ocupado parpadearán.

El usuario deberá:

- Empujar el interruptor de la toma de fuerza hacia abajo para apagar los motores de la cuchilla. El indicador acústico dejará de sonar cuando los motores de la cuchilla se detengan.
- Dejar de trabajar y llegar al área de carga lo antes posible. La distancia máxima que puede recorrer el tractor es 1000 m.

Cuando la batería está a punto de agotarse por completo, tanto el símbolo de alerta (baja potencia) como el símbolo de cada compartimento de batería ocupado parpadean una vez cada medio segundo. El tractor dejará de funcionar inmediatamente. El usuario deberá transportar el tractor al lugar de carga para recargarlo.

ES

AVISO: En caso de que sea necesario empujarlo manualmente, asegúrese de que las baterías estén desconectadas del tractor y de que el pedal del freno de estacionamiento no esté en la posición de freno de estacionamiento.

CONducir EL TRACTOR (Fig. E21)

⚠ PELIGRO: Manténgase como mínimo a dos anchuras de corte de distancia de zanjas, laderas o agua. Las ruedas delanteras pueden girar cuando el tractor está parado, incluso con el freno acoplado, y pueden hacer que el tractor caiga por el borde o al agua, provocando la muerte o lesiones graves.

⚠ ¡ADVERTENCIA! No use el tractor en vías públicas.

⚠ ¡ADVERTENCIA! Si se produce un bloqueo, o en caso de golpear algún objeto extraño con la cuchilla, apague el motor y saque las baterías. Quite los recortes de hierba, hojas, suciedad y otros residuos acumulados; examine minuciosamente el tractor por si presentarse algún daño y efectúe las reparaciones necesarias antes de volver a ponerlo en marcha y utilizarlo.

NOTA:

- Durante la conducción, cuando salga del asiento, el indicador de estado del tractor se apagará. Cuando reinicie la conducción nuevamente, siéntese en el asiento y presione completamente el pedal del freno de estacionamiento para que el indicador de estado del tractor se encienda en verde.
- Al cambiar entre avance y retroceso durante la conducción, mueva la palanca de control de dirección directamente de un extremo al otro sin detenerse en la posición neutra, de lo contrario el tractor puede dejar de moverse.


USO DEL CONTROL DE CRUCERO (CCS)


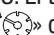
Para activar (entrar) el Control de crucero (CCS) (Fig. E22)

NOTA: Es posible que el nivel de velocidad de conducción que se muestra en la pantalla LCD no represente con precisión la velocidad de conducción real del tractor en el control de crucero. Pulse el botón de ajuste de velocidad para «actualizar» el nivel de velocidad de conducción en la pantalla LCD.

Para detener (salir) el control de crucero (CCS), puede elegir una de las tres formas:

- Presione el pedal del acelerador hasta el tope y siga presionando. La función CCS se desactivará y el tractor continuará conduciendo.
- Presione ligeramente el pedal del acelerador y suéltelo después. El tractor y la función CCS se detendrán.
- Pulse el botón del CCS. El tractor y la función CCS se detendrán.

NOTA: Cuando se desactive el CCS, el símbolo «» desaparecerá de la pantalla LCD y sonará dos veces un pitido.

NOTA: Si se pisa el pedal del freno de estacionamiento, el tractor se detendrá, pero el símbolo «» parpadeará en la pantalla LCD para indicar que el CCS está en espera. En este caso, suelte el pedal del freno de estacionamiento y pulse el botón CCS. El tractor reanudará la conducción automáticamente y el símbolo «» dejará de parpadear.

ENCENDER LAS CUCHILLAS MIENTRAS SE CONDUCE MARCHA ATRÁS

AVISO: No se recomienda cortar el césped MARCHA ATRÁS.


⚠ ¡ADVERTENCIA! Tenga mucho cuidado al cortar el césped marcha atrás. Asegúrese siempre de que no entre ninguna persona en el área de trabajo, especialmente los niños pequeños, antes y mientras corta el césped marcha atrás.

⚠ ¡ADVERTENCIA! La visibilidad de los usuarios podría verse afectada cuando se utiliza el tractor conectado con el kit la bolsa colector de hierba. Siempre se debe tener extrema precaución y familiarizarse con el entorno antes y durante el corte del césped marcha atrás.



Para activar (Entrar) la función de CORTE MARCHA ATRÁS (E23)

Para desactivar (salir) la función de CORTE MARCHA ATRÁS, puede elegir una de estas cuatro formas:

- Presione el botón CORTE MARCHA ATRÁS una vez.
- Levántese del asiento del tractor.
- Pulse el botón de arranque/parada durante 3 s para apagar la pantalla LCD.
- Saque la llave de seguridad o quite la(s) batería(s) para apagar el tractor.

NOTA: Cuando se desactive la función de CORTE MARCHA ATRÁS, el símbolo «» se encenderá en la pantalla LCD.

VACIAR LA BOLSA COLECTORA DE HIERBA (Fig. E24)

NOTA: Cuando el símbolo «» parpadea en la pantalla LCD, significa que la bolsa colector de hierba está llena. Después de vaciar la bolsa colector de hierba, el símbolo «» desaparecerá de la pantalla LCD.

NOTA: La bolsa colector de hierba debe reemplazarse correctamente en el tractor, de lo contrario, el tractor se puede conducir pero los motores de las cuchillas no se pueden encender.

MANTENIMIENTO

⚠ ¡ADVERTENCIA! Utilice siempre gafas de seguridad con pantallas de protección lateral. De lo contrario, pueden salir objetos despedidos y alcanzar los ojos, pudiendo provocar lesiones graves.

⚠ ¡ADVERTENCIA! Protéjase siempre las manos utilizando guantes gruesos o envolviendo los filos cortantes en paños u otros materiales cuando realice trabajos de mantenimiento en la cuchilla del tractor. Saque siempre la llave de seguridad y las baterías antes de reparar o transportar el tractor.

INTERVALO(S) DE MANTENIMIENTO RECOMENDADO(S)

Intervalo del servicio de mantenimiento	Procedimiento de mantenimiento
Antes de cada uso o a diario	<ul style="list-style-type: none"> ■ Comprobar el sistema de enclavamiento de seguridad. ■ Compruebe visualmente si los neumáticos están inflados. ■ Inspeccione las cuchillas. ■ Examine todo el producto para ver si hay piezas dañadas, extraviadas o sueltas, como la tolva de descarga lateral, tornillos, tuercas, pernos, tapones, etc., y asegúrese de que están en su lugar y funcionan correctamente. ■ Compruebe y asegúrese de que el pedal del acelerador se pueda presionar y soltar correctamente. ■ Compruebe el amortiguador del volante. El volante debe girarse con cierta resistencia.
Después de cada uso	<ul style="list-style-type: none"> ■ Limpie el tractor y lave la plataforma.
Cada 25 h	<ul style="list-style-type: none"> ■ Comprobar la presión de los neumáticos.
Cada 100 h	<ul style="list-style-type: none"> ■ Examine las ruedas traseras y compruebe que todas las tuercas de las ruedas estén apretadas con el par recomendado (101-103 Nm). ■ Examine las ruedas delanteras y compruebe que la tuerca esté apretada con el par recomendado (90-92 Nm).
Cada 200 h	<ul style="list-style-type: none"> ■ Examinar las ruedas delanteras y comprobar que giren libremente.

Cada medio año	<ul style="list-style-type: none"> ■ Compruebe el pedal de freno de estacionamiento. Quite la batería del tractor y, a continuación, levante la palanca de bloqueo del freno de estacionamiento y presione el pedal del freno de estacionamiento para ajustar el freno de estacionamiento. Empuje manualmente el tractor hacia adelante para ver si se puede mover sin que las ruedas traseras giren. Si el tractor se mueve y las ruedas traseras giran mientras tanto, comuníquese con EGO centro de servicio al cliente para su reparación.
Antes del almacenamiento	<ul style="list-style-type: none"> ■ Quite las baterías del tractor. ■ Quite la llave de seguridad del tractor. ■ Realice todos los procedimientos de mantenimiento enumerados anteriormente y limpie a fondo el tractor. ■ Inspeccione todo el producto para ver si falta alguna pieza, si ha piezas dañadas o sueltas, y reemplace o apriete las piezas en cuestión antes de guardar el aparato.
Anualmente	<ul style="list-style-type: none"> ■ Lubrique los manguitos del eje de las ruedas delanteras.

ES

MANTENIMIENTO GENERAL

Vaciado del césped (Fig. F1 – F3)

Limpieza de la carcasa del tractor (Fig. F4)

Uso de la conexión de lavado para limpiar la plataforma del tractor (Fig. F5 – F6)

F5-1	Conexión de lavado	F5-2	Acoplamiento rápido de la conexión de lavado
F5-3	Manguera de jardín		

AVISO: Cuando termine de limpiar, apague el tractor por completo y, a continuación, quite la manguera de jardín y el acoplador rápido.

MANTENIMIENTO DE LA PLATAFORMA DEL TRACTOR Y LAS CUCHILLAS DE CORTE

Preparación (Fig. G1)

Quitar la plataforma (Fig. G2 – G3)

G2-1	Cable del motor	G2-2	Pasador de chaveta
G2-3	Varillaje de la suspensión		

Sustitución de las cuchillas de corte (fig. G4 – G6)

G4-1	Estabilizador	G5-1	Tornillo
G5-2	Arandela	G5-3	Cuchilla
G5-4	Brida	G5-5	Eje del motor

ES

Nivelación de la plataforma

- a. **Cuándo nivelar (fig. G7 / fig. G8 / fig. G9)**
- b. **Antes de nivelar**
 - Compruebe la presión de los neumáticos en frío (fig. G10)
 - Compruebe las cuchillas. En caso necesario, desmonte y sustituya las cuchillas desgastadas, agrietadas o dobladas.
- c. **Preparación para la nivelación (Fig. G11)**
- d. **Cómo nivelar**
 - Hacer el ajuste de lado a lado (fig. G12)
 - Hacer el ajuste de delante a atrás (fig. G13)

ALMACENAMIENTO Y TRANSPORTE

TRANSPORTAR EL TRACTOR (Fig. H1 – H5)

H2-1	Rampas	H2-2	Correas
------	--------	------	---------

AVISO: Sujete el tractor como sea necesario usando correas o cables para evitar el movimiento durante el transporte.

ALMACENAMIENTO (Fig. I1 – I2)

AVISO: Saque la(s) batería(s) y guárdela(s) por separado, consulte los manuales correspondientes.

Limpie y revise el tractor antes de su almacenamiento, consulte las secciones «**MANTENIMIENTO GENERAL**» e «**INTERVALO(S) DE MANTENIMIENTO RECOMENDADO(S)**».

Protección del medio ambiente



RAEE (Residuos de Aparatos Eléctricos y Electrónicos) ¡No elimine aparatos eléctricos, baterías usadas ni cargadores de baterías junto con los desperdicios domésticos! Lleve este producto a un punto de reciclaje autorizado y deposítelo por separado según corresponda. Las herramientas eléctricas se deben llevar a un punto de reciclaje con el fin de proteger el medio ambiente.


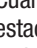
SOLUCIÓN DE PROBLEMAS

ES

PROBLEMA	CAUSA	SOLUCIÓN
El tractor cortacésped eléctrico no funciona cuando se pisa el pedal del acelerador.	<ul style="list-style-type: none"> Los Ah combinados de las baterías insertadas no cumplen el requisito. 	<ul style="list-style-type: none"> Para arrancar este tractor, utilice suficientes baterías EGO siguiendo las instrucciones de la sección «INSTALAR/QUITAR LA BATERÍA» de este manual.
	<ul style="list-style-type: none"> El pedal de freno de estacionamiento está en la posición de frenado. 	<ul style="list-style-type: none"> Presione completamente el pedal de freno de estacionamiento para soltarlo de la posición de freno de estacionamiento.
	<ul style="list-style-type: none"> El indicador de estado del tractor no se enciende en verde. 	<ul style="list-style-type: none"> Presione el pedal del freno de estacionamiento y luego suéltelo. El indicador de estado del tractor se encenderá en verde, lo que significa que el tractor está listo para arrancar.
	<ul style="list-style-type: none"> El usuario no está sentado en el asiento. 	<ul style="list-style-type: none"> El tractor solo puede funcionar cuando el usuario está sentado correctamente en el asiento.
	<ul style="list-style-type: none"> El sistema de bloqueo de seguridad del asiento no está conectado correctamente. 	<ul style="list-style-type: none"> Quite las baterías del tractor y levante el respaldo del asiento para asegurarse de que el enchufe del cable esté conectado correctamente a la toma de corriente en la parte inferior del asiento (consulte el capítulo «INSTALACIÓN DEL ASIENTO»). Siga las instrucciones del apartado «ARRANCAR EL TRACTOR» para reiniciar el tractor y ver si se puede arrancar. De lo contrario, póngase en contacto con el centro de atención al cliente de EGO para solicitar una reparación.
	<ul style="list-style-type: none"> En situaciones de frío extremo, es posible que la función de conducción no arranque correctamente debido a la protección contra temperatura baja. 	<ul style="list-style-type: none"> Guarde siempre el tractor y las baterías en un entorno cálido. Vuelva a arrancar el tractor cuando se haya calentado. No intente arrancar repetidamente en condiciones de frío extremo, ya que se podría dañar la máquina.
	<ul style="list-style-type: none"> La trayectoria de desplazamiento del pedal del acelerador está obstruida con residuos. 	<ul style="list-style-type: none"> Compruebe si hay residuos y quítelos.
	<ul style="list-style-type: none"> Fallo de componentes mecánicos o electrónicos del pedal del acelerador. 	<ul style="list-style-type: none"> Póngase en contacto con el centro de atención al cliente de EGO para solicitar una reparación.
<ul style="list-style-type: none"> La palanca de control de dirección está colocada en la posición neutra. 	<ul style="list-style-type: none"> Empuje/tire de la palanca de control de dirección en la dirección «D» o «R». 	

PROBLEMA	CAUSA	SOLUCIÓN
El tractor cortacésped eléctrico se para.	<ul style="list-style-type: none"> Al cambiar entre avance y retroceso durante la conducción, la palanca de control de dirección permanece en la posición neutra durante mucho tiempo. 	<ul style="list-style-type: none"> Suelte el pedal del acelerador y vuelva a presionarlo.
	<ul style="list-style-type: none"> Fallo de componentes electrónicos del pedal del acelerador. 	<ul style="list-style-type: none"> Póngase en contacto con el centro de atención al cliente de EGO para solicitar una reparación.
	<ul style="list-style-type: none"> El sistema de enclavamiento de seguridad del asiento se desconectó durante la conducción en un terreno accidentado. 	<ul style="list-style-type: none"> Quite las baterías del tractor y levante el respaldo del asiento para asegurarse de que el enchufe del cable esté conectado correctamente a la toma de corriente en la parte inferior del asiento (consulte el capítulo «INSTALACIÓN DEL ASIENTO»). Siga las instrucciones del apartado «ARRANCAR EL TRACTOR» para reiniciar el tractor y ver si se puede arrancar. De lo contrario, póngase en contacto con el centro de atención al cliente de EGO para solicitar una reparación.
	<ul style="list-style-type: none"> El peso del usuario no se distribuye uniformemente en el asiento. El peso del usuario en el asiento debe ser como mínimo de 20 kg para que el sistema de enclavamiento de seguridad del asiento funcione correctamente 	<ol style="list-style-type: none"> Siéntese en el asiento correctamente, presione completamente el pedal del freno de estacionamiento y suéltelo. A continuación, el tractor estará listo para conducir. Desconecte y vuelva a conectar las baterías si es necesario.
	<ul style="list-style-type: none"> El pedal del freno de estacionamiento está lo suficientemente presionado, pero no está bloqueado en la posición de estacionamiento. El tractor se parará. 	<ul style="list-style-type: none"> Siga las instrucciones del apartado «ARRANCAR EL TRACTOR» para reiniciar el tractor.
<p>El tractor cortacésped eléctrico no pone en marcha las cuchillas cuando se activa el interruptor de toma de fuerza.</p> <p> El símbolo del interruptor de toma de fuerza parpadea.</p>	<ul style="list-style-type: none"> Los Ah combinados de las baterías insertadas no cumplen el requisito. 	<ul style="list-style-type: none"> Para arrancar este tractor, utilice suficientes baterías EGO siguiendo las instrucciones de la sección «INSTALAR/QUITAR LA BATERÍA» de este manual.
	<ul style="list-style-type: none"> El interruptor de la toma de fuerza no se presionó hacia abajo cuando el tractor se apagó la última vez. 	<ul style="list-style-type: none"> Presione el interruptor de la toma de fuerza hacia abajo y después hacia arriba para reiniciar los motores de las cuchillas.
	<ul style="list-style-type: none"> El tractor está sobrecargado en el momento en que las cuchillas comienzan a girar, lo que activa la autoprotección del motor de las cuchillas. 	<ul style="list-style-type: none"> Empiece a cortar la hierba primero a una velocidad baja de las cuchillas, y no aumente la velocidad de las cuchillas hasta que estén girando correctamente.
	<ul style="list-style-type: none"> En situaciones de frío extremo, es posible que el motor de las cuchillas no arranque correctamente debido a la protección contra temperatura baja. 	<ul style="list-style-type: none"> Guarde siempre el tractor y las baterías en un entorno cálido. Vuelva a arrancar el tractor cuando se haya calentado. No intente arrancar repetidamente en condiciones de frío extremo, ya que se podría dañar la máquina.
	<ul style="list-style-type: none"> La cuchilla interfiere con la plataforma del tractor deformada. 	<ul style="list-style-type: none"> Póngase en contacto con el centro de atención al cliente de EGO para solicitar una reparación.
	<ul style="list-style-type: none"> La bolsa colectora de hierba no está instalada correctamente. 	<ul style="list-style-type: none"> Instale la bolsa colectora de hierba correctamente siguiendo la sección «INSTALAR LA BOLSA COLECTORA DE HIERBA» del manual.

PROBLEMA	CAUSA	SOLUCIÓN
Las cuchillas dejan de girar durante el corte de la hierba.	<ul style="list-style-type: none"> El tractor está sobrecargado. 	<ul style="list-style-type: none"> Suba la altura de corte de la plataforma o reduzca la velocidad de conducción para disminuir la carga del tractor.
	<ul style="list-style-type: none"> La plataforma del tractor está obstruida con restos de hierba y suciedad. 	<ul style="list-style-type: none"> Limpie la plataforma y asegúrese de que las cuchillas giran libremente.
	<ul style="list-style-type: none"> El tractor está sobrecalentado. 	<ul style="list-style-type: none"> Reduzca la carga del tractor elevando la altura de corte de la plataforma o reduciendo la velocidad de las cuchillas o la velocidad de conducción, y espere a que el tractor se enfríe.
	<ul style="list-style-type: none"> La(s) batería(s) instalada(s) en el compartimento del tractor se ha(n) sobrecalentado, por lo que la capacidad de Ah combinada de todas las baterías insertadas no cumple el requisito. 	<ol style="list-style-type: none"> El tractor puede seguir funcionando si la capacidad de Ah de las baterías combinadas, excluyendo la batería sobrecalentada, cumple el requisito. Cuando la batería sobrecalentada haya recuperado la temperatura normal, unirá su potencia inmediatamente a las demás baterías para accionar el tractor. Si la capacidad de Ah combinada de las baterías no cumple el requisito, el tractor no funcionará hasta que se inserten más baterías en los compartimentos de batería que están libres. Reduzca la carga del tractor elevando la altura de corte de la plataforma o reduciendo la velocidad de conducción cuando reanude el funcionamiento.
	<ul style="list-style-type: none"> El tractor está en el modo de conducción de emergencia. 	<ul style="list-style-type: none"> Cuando el tractor está en el modo de conducción de emergencia, las cuchillas se conmutan automáticamente a la velocidad de giro baja. El usuario deberá dejar de usar el cortacésped y dirigirse lo antes posible al lugar de carga de la batería.
	<ul style="list-style-type: none"> El tractor ha sido golpeado un objeto extraño, por lo que se ha activado la función de autoprotección del motor. 	<ul style="list-style-type: none"> Presione el interruptor de la toma de fuerza hacia abajo y después hacia arriba para reiniciar los motores de las cuchillas.
	<ul style="list-style-type: none"> El tractor se mueve marcha atrás con el símbolo de «CORTE MARCHA ATRÁS» encendido en la pantalla LCD. 	<ul style="list-style-type: none"> Pulse el interruptor de la toma de fuerza y reinicie los motores de las cuchillas siguiendo las instrucciones de la sección «Para activar (entrar) la función de CORTE MARCHA ATRÁS.».
El indicador acústico sigue sonando.	<ul style="list-style-type: none"> El tractor está en el modo de conducción de emergencia y las cuchillas no están apagadas. 	<ul style="list-style-type: none"> Presione el interruptor de la toma de fuerza hacia abajo para apagar los motores de la cuchilla. El indicador acústico dejará de sonar cuando los motores de la cuchilla se apaguen.
	<ul style="list-style-type: none"> El tractor se detiene en una pendiente y el usuario se levanta del asiento sin poner el pedal de freno de estacionamiento en la posición de freno de estacionamiento. 	<ul style="list-style-type: none"> Coloque el pedal del freno de estacionamiento en la posición de freno de estacionamiento antes de dejar el tractor en la pendiente.

PROBLEMA	CAUSA	SOLUCIÓN
Los indicadores de potencia de las baterías todavía se iluminan cuando se apaga el tractor.	<ul style="list-style-type: none"> ■ Cuando el tractor se apaga en un terreno nivelado sin quitar la(s) batería(s) del tractor, los indicadores de potencia permanecerán encendidos durante un rato. 	<ul style="list-style-type: none"> ■ No es necesaria ninguna acción. Los indicadores de batería se apagarán cuando el cortacésped se apague al cabo de un rato. Consulte la sección «PARAR EL TRACTOR» para conocer el tiempo específico
	<ul style="list-style-type: none"> ■ Cuando el tractor se apague en una pendiente sin poner el freno de estacionamiento, los indicadores de potencia de las baterías permanecerán encendidos hasta que se agote la carga de la batería. Al mismo tiempo, sigue sonando el indicador acústico. 	<ul style="list-style-type: none"> ■ Coloque el pedal del freno de estacionamiento en la posición de freno de estacionamiento antes de dejar el tractor en la pendiente. De lo contrario, el tractor puede deslizarse por la pendiente.
La pantalla LCD no se ilumina con todos los símbolos encendidos.	<ul style="list-style-type: none"> ■ El botón de arranque/parada no se presiona durante el tiempo suficiente. 	<ol style="list-style-type: none"> 1. En la pantalla LCD solo se muestra el «Indicador de energía» si el botón de arranque/aparada se pulsa brevemente. 2. La pantalla LCD se encenderá después de presionar completamente el pedal del freno de estacionamiento y pulsar al mismo tiempo el botón de arranque/parada durante el tiempo suficiente.
	<ul style="list-style-type: none"> ■ Cuando el símbolo de la llave de seguridad «» parpadea en la pantalla LCD, la llave de seguridad está insertada. 	<ul style="list-style-type: none"> ■ Inserte la llave de seguridad y, a continuación, presione completamente el pedal del freno de estacionamiento y pulse al mismo tiempo el botón de arranque/parada durante el tiempo suficiente para encender la pantalla LCD.
	<ul style="list-style-type: none"> ■ Cuando el símbolo del freno de estacionamiento «» parpadea en la pantalla LCD, el pedal del freno de estacionamiento no está completamente presionado. 	<ul style="list-style-type: none"> ■ Inserte la llave de seguridad y, a continuación, presione completamente el pedal del freno de estacionamiento y pulse al mismo tiempo el botón de arranque/parada durante el tiempo suficiente para encender la pantalla LCD.
El tractor corta de forma irregular, con una diferencia de altura considerable entre la parte delantera y la trasera.	<ul style="list-style-type: none"> ■ Las cuchillas están romas. 	<ul style="list-style-type: none"> ■ Afíle las cuchillas o sustitúyalas siguiendo las instrucciones de este manual.
	<ul style="list-style-type: none"> ■ Las cuchillas están dobladas. 	<ul style="list-style-type: none"> ■ Sustituya las cuchillas de corte dobladas siguiendo las instrucciones del apartado «Sustitución de las cuchillas de corte».
	<ul style="list-style-type: none"> ■ La plataforma del tractor no está nivelada, lo que provoca diferentes alturas de las cuchillas de corte. 	<ul style="list-style-type: none"> ■ Nivele la plataforma del tractor siguiendo las instrucciones del apartado «Nivelación de la plataforma».
La altura real de corte de la hierba no coincide con la altura deseada.	<ul style="list-style-type: none"> ■ Las tuercas de la plataforma del tractor se han aflojado en el varillaje de la suspensión. 	<ul style="list-style-type: none"> ■ Siga las instrucciones del apartado «Nivelación de la plataforma» para realizar correctamente el ajuste de delante atrás de la plataforma del tractor, y apriete firmemente las tuercas en el varillaje de la suspensión.
	<ul style="list-style-type: none"> ■ La plataforma está dañada o muy desgastada. 	<ul style="list-style-type: none"> ■ Siga las instrucciones del apartado «Quitar la plataforma» para sustituir la plataforma del tractor.
El tractor no tritura correctamente la hierba.	<ul style="list-style-type: none"> ■ Hay recortes de hierba húmeda adheridos en la superficie inferior de la plataforma de corte. 	<ul style="list-style-type: none"> ■ Espere a que la hierba esté seca antes de cortar el césped.
	<ul style="list-style-type: none"> ■ El tractor está ajustado para cortar una elevada cantidad de hierba en cada pasada. 	<ul style="list-style-type: none"> ■ Eleve la altura de corte de la plataforma.

PROBLEMA	CAUSA	SOLUCIÓN
Vibración excesiva.	<ul style="list-style-type: none"> Las cuchillas de corte están sueltas. 	<ul style="list-style-type: none"> Apriete el tornillo de la cuchilla con el par recomendado.
	<ul style="list-style-type: none"> Las cuchillas están dobladas. 	<ul style="list-style-type: none"> Sustituya las cuchillas de corte dobladas siguiendo las instrucciones del apartado «Sustitución de las cuchillas de corte».
	<ul style="list-style-type: none"> La plataforma no está nivelada. 	<ul style="list-style-type: none"> Nivele la plataforma del cortacésped siguiendo las instrucciones del apartado «Nivelación de la plataforma».
	<ul style="list-style-type: none"> Las tuercas de la plataforma del tractor se han aflojado en el varillaje de la suspensión. 	<ul style="list-style-type: none"> Apriete las tuercas del varillaje de la suspensión.
	<ul style="list-style-type: none"> La plataforma está ajustada para cortar una elevada cantidad de hierba en cada pasada. 	<ul style="list-style-type: none"> Eleve la altura de corte de la plataforma.
Queda hierba o residuos en el suelo después de cortar el césped.	<ul style="list-style-type: none"> La plataforma está ajustada para cortar una elevada cantidad de hierba en cada pasada cuando la hierba es alta. 	<ul style="list-style-type: none"> Comience con una altura de corte elevada y redúzcala hasta lograr el resultado de corte deseado en el césped. Si el césped tiene una altura mayor que 152 mm deberá cortarse dos veces, reduciendo la altura de corte sucesivamente.
	<ul style="list-style-type: none"> La hierba está mojada. 	<ul style="list-style-type: none"> No corte el césped cuando la hierba esté mojada. Espere hasta que la hierba se seque.
	<ul style="list-style-type: none"> La velocidad de conducción es alta. 	<ul style="list-style-type: none"> Reduzca la velocidad de conducción.
	<ul style="list-style-type: none"> La velocidad de la cuchilla es baja. 	<ul style="list-style-type: none"> Aumente gradualmente la velocidad de las cuchillas.
Corto tiempo de funcionamiento del tractor con baterías incluidas.	<ul style="list-style-type: none"> El terreno del césped, las condiciones del césped, el ajuste de la altura de corte, la velocidad de conducción, la velocidad de las cuchillas, etc. influyen en gran medida en el tiempo de funcionamiento. 	<ul style="list-style-type: none"> Suba la altura de corte de la plataforma y reduzca la velocidad de las cuchillas para disminuir la carga de corte.
El tractor no va en línea recta.	<ul style="list-style-type: none"> Las presiones de los neumáticos izquierdo y derecho son diferentes. 	<ul style="list-style-type: none"> Compruebe y ajuste a presión de aire en los dos neumáticos delanteros, siguiendo la recomendación del apartado «ESPECIFICACIONES» de este manual.
El pedal de freno no se puede soltar de la posición de freno de estacionamiento, o regresa demasiado despacio.	<ul style="list-style-type: none"> La trayectoria de desplazamiento del pedal del freno de estacionamiento está obstruida con residuos. 	<ul style="list-style-type: none"> Compruebe si hay residuos y quítelos.
El tractor no se puede cargar a través del puerto de carga con el indicador de estado del tractor encendido permanentemente en rojo.	<ul style="list-style-type: none"> El enchufe o el cargador no están insertados correctamente en el puerto de carga del tractor. 	<ul style="list-style-type: none"> Vuelva a conectar el enchufe del cargador para comprobar si el tractor se puede cargar normalmente.
	<ul style="list-style-type: none"> No hay potencia en las tomas de corriente. 	<ul style="list-style-type: none"> No es necesaria ninguna acción. Espere hasta que se restablezca la potencia.
	<ul style="list-style-type: none"> El cargador no funciona correctamente. 	<ul style="list-style-type: none"> Póngase en contacto con EGO centro de servicio al cliente y haga que un técnico de servicio calificado inspeccione y/o repare el cargador si es necesario.
	<ul style="list-style-type: none"> El puerto del cargador del tractor está defectuoso. 	<ul style="list-style-type: none"> Póngase en contacto con el centro de atención al cliente de EGO para solicitar una reparación.
El tiempo de carga a través del puerto de carga del tractor es demasiado largo.	<ul style="list-style-type: none"> El uso de un adaptador EGO ACA1000 para la carga requiere mucho tiempo. 	<ul style="list-style-type: none"> Utilice EGO cargador CHV1600E para cargar directamente el tractor cortacésped eléctrico.
Las baterías no se pueden cargar completamente a través del puerto de carga del tractor.	<ul style="list-style-type: none"> Error de firmware del tractor o de la batería o fallo del cargador. 	<ul style="list-style-type: none"> Reinicie el cargador desenchufándolo y esperando varios minutos. A continuación, vuelva a conectar el enchufe a la fuente de alimentación. Si esto no resuelve el problema, llame al centro de atención al cliente de EGO.

PROBLEMA	CAUSA	SOLUCIÓN
El tractor no se puede arrancar después de la limpieza.	<ul style="list-style-type: none"> ■ Limpieza incorrecta, por ejemplo, penetración de agua en los componentes eléctricos, la pantalla LCD, etc. 	<ol style="list-style-type: none"> 1. Siga las instrucciones del apartado «MANTENIMIENTO GENERAL» para limpiar el tractor correctamente. 2. Si el tractor se expone a la lluvia accidentalmente, deje que se seque use aire comprimido para secarlo.
La plataforma se obstruye rápidamente.	<ul style="list-style-type: none"> ■ La plataforma no se limpió adecuadamente después del uso anterior. 	<ul style="list-style-type: none"> ■ Limpie la plataforma del tractor después de cada uso, siguiendo las instrucciones del apartado «Uso de la conexión de lavado para limpiar la plataforma del tractor».
El tractor pierde tracción fácilmente cuando sube por una pendiente.	<ul style="list-style-type: none"> ■ Los neumáticos de las ruedas traseras están desgastados. 	<ul style="list-style-type: none"> ■ Póngase en contacto con un centro de servicio técnico local para sustituir los neumáticos de las ruedas.
	<ul style="list-style-type: none"> ■ Corte del césped en una pendiente pronunciada. 	<ul style="list-style-type: none"> ■ El tractor no debe utilizarse para cortar pendientes más pronunciadas que los grados requeridos.
Cuando el tractor se detiene en una pendiente con el pedal del freno de estacionamiento activado, el tractor puede rodar por la pendiente.	<ul style="list-style-type: none"> ■ Los componentes del freno están excesivamente desgastados debido a un funcionamiento incorrecto del tractor. 	<ul style="list-style-type: none"> ■ Póngase en contacto con el centro de atención al cliente de EGO para solicitar una reparación.
No hay agua proveniente de la conexión de lavado cuando se intenta lavar la plataforma.	<ul style="list-style-type: none"> ■ El acoplador rápido de la conexión de lavado no está montado correctamente en la conexión de lavado. 	<ul style="list-style-type: none"> ■ Vuelva a conectar el acoplamiento rápido de la conexión de lavado hasta que oiga claramente un «clic» después de empujar firmemente. Si no funciona, llame al centro de atención al cliente de EGO.
Se escucha un sonido anormal al empujar manualmente el tractor sin arrancarlo.	<ul style="list-style-type: none"> ■ El ruido lo producen los imanes en el interior del motor de conducción. 	<ul style="list-style-type: none"> ■ Esto es normal y no es necesaria ninguna acción.
El volante no se puede girar.	<ul style="list-style-type: none"> ■ El conjunto del volante está obstruido con residuos. 	<ul style="list-style-type: none"> ■ Compruebe si hay residuos y quítelos.
El tractor no gira a la izquierda/derecha cuando se gira el volante.	<ul style="list-style-type: none"> ■ Fallo de componentes electrónicos o mecánicos. 	<ul style="list-style-type: none"> ■ Póngase en contacto con el centro de atención al cliente de EGO para solicitar una reparación.
El tractor no se detiene al soltar el pedal del acelerador.	<ul style="list-style-type: none"> ■ La trayectoria de retorno del pedal del acelerador está obstruida con residuos. 	<ul style="list-style-type: none"> ■ Compruebe si hay residuos y quítelos.
	<ul style="list-style-type: none"> ■ El botón CCS se ha presionado involuntariamente durante la conducción. El tractor está en modo de control de crucero 	<ul style="list-style-type: none"> ■ Compruebe si el símbolo del CCS está encendido en la pantalla LCD y salga del CCS en caso necesario. Consulte el capítulo «USO DEL CONTROL DE CRUCERO (CCS)»
La función CCS no se puede activar ni desactivar.	<ul style="list-style-type: none"> ■ El botón CCS no se ha presionado correctamente. 	<ul style="list-style-type: none"> ■ Pulse el botón CCS hasta que el símbolo del CCS se encienda en la pantalla LCD o desaparezca de la pantalla LCD.
Las ruedas delanteras del tractor giran con ruido anormal	<ul style="list-style-type: none"> ■ Los manguitos del eje de las ruedas delanteras requieren lubricación. 	<ul style="list-style-type: none"> ■ Quite las baterías y, a continuación, llene los puertos de inyección con grasa hasta que la grasa desborde el borde superior o inferior de los manguitos del eje de las ruedas delanteras.

REFERENCIA DEL ESTADO DEL TRACTOR

Pantalla LCD	Descripción	Indicador de estado del tractor	Indicador acústico	Causa	Solución
	Símbolo del indicador de energía	APAGADO	No	Indica la capacidad de carga media de las baterías instaladas.	Este es el funcionamiento normal. No es necesaria ninguna acción.
	Símbolo del contador de horas	APAGADO	No	Muestra el tiempo de conducción total del tractor en horas, y no se puede reiniciar.	Este es el funcionamiento normal. No es necesaria ninguna acción.
	Símbolo del indicador de carga	APAGADO	No	Indica la carga actual del tractor.	Este es el funcionamiento normal. No es necesaria ninguna acción.
	El símbolo de las luces LED se ilumina en la pantalla LCD.	APAGADO	No	Las luces se encienden mediante el interruptor de las luces LED.	Este es el funcionamiento normal. No es necesaria ninguna acción.
	El símbolo de Bluetooth se enciende en la pantalla LCD	APAGADO	No	El tractor está conectado a un dispositivo móvil a través de Bluetooth.	Este es el funcionamiento normal. No es necesaria ninguna acción.
	El símbolo de CORTE MARCHA ATRÁS DESACTIVADO se enciende en la pantalla LCD.	APAGADO	No	Indica que las cuchillas no se pueden encender cuando el tractor se mueve hacia atrás.	Este es el funcionamiento normal. Si es necesario, encienda las cuchillas mientras conduce marcha atrás, siguiendo las instrucciones del apartado «ENCENDER LAS CUCHILLAS MIENTRAS SE CONDUCE MARCHA ATRÁS» en el manual.
	El símbolo de conducción se ilumina en la pantalla LCD.	APAGADO	No	Indica que el tractor puede ser conducido o está conduciendo hacia adelante.	Este es el funcionamiento normal. Coloque la palanca de control de dirección en la posición «D», neutra o «R» según sea necesario.
	El símbolo de marcha atrás se ilumina en la pantalla LCD.	APAGADO	No	Indica que el tractor puede ser conducido o está conduciendo hacia atrás.	
	El símbolo de conducción y el símbolo de marcha atrás parpadean alternativamente	APAGADO	No	Indica que el tractor no pudo ser conducido.	
	El símbolo de la llave de seguridad se enciende	APAGADO	No	La llave de seguridad está insertada correctamente.	Este es el funcionamiento normal. No es necesaria ninguna acción.
	El símbolo de la llave de seguridad parpadea cuando la pantalla LCD muestra «indicador de energía».	APAGADO	No	La llave de seguridad no está insertada.	Inserte la llave de seguridad y, a continuación, presione completamente el pedal del freno de estacionamiento y pulse al mismo tiempo el botón de ARRANQUE/PARADA durante más de 3 segundos para encender el tractor.
				El conjunto de la caja del panel de control de llave está roto.	Póngase en contacto con el centro de atención al cliente de EGO para solicitar una reparación.

ES

Pantalla LCD	Descripción	Indicador de estado del tractor	Indicador acústico	Causa	Solución
	El símbolo del freno de estacionamiento parpadea cuando la pantalla LCD muestra el «indicador de energía».	APAGADO	No	El pedal del freno de estacionamiento no está pisado.	Con la llave de seguridad insertada, presione completamente el pedal del freno de estacionamiento y pulse al mismo tiempo el botón de ARRANQUE/PARADA durante más de 3 segundos para encender el tractor.
	El símbolo del freno de estacionamiento parpadea cuando la pantalla LCD muestra la interfaz del usuario.	APAGADO	No	Presione el pedal del acelerador antes de pisar el pedal del freno de estacionamiento para que el indicador del tractor se encienda en verde.	Arranque correctamente el tractor siguiendo las instrucciones del apartado «ARRANCAR EL TRACTOR».
	El símbolo del freno de estacionamiento se enciende	APAGADO	No	El pedal del freno de estacionamiento está ajustado en la posición de freno de estacionamiento.	Suéltelo antes de arrancar el tractor.
	El símbolo del sensor del asiento se enciende	APAGADO	No	El usuario abandona el asiento, o se desconecta el sistema de enclavamiento de seguridad del asiento.	Si el usuario está sentado en el asiento y el símbolo se enciende, deje de usar el tractor inmediatamente y compruebe la conexión del asiento. Si se confirma que la conexión del asiento con el tractor es correcta, póngase en contacto con un técnico de servicio cualificado para que repare la máquina.
	El símbolo del interruptor de toma de fuerza parpadea	APAGADO	No	Se ha interrumpido el funcionamiento del motor de las cuchillas y el interruptor de toma de fuerza no está en la posición de desconexión.	Antes de reiniciar el tractor, presione el interruptor de la toma de fuerza hacia abajo para apagar los motores de la cuchilla. Consulte el apartado «SOLUCIÓN DE PROBLEMAS» de este manual como referencia.
	El símbolo de un determinado compartimento de la batería parpadea.	APAGADO	No	Una determinada batería tiene sobrecorriente durante la descarga.	No es necesaria ninguna acción. El tractor puede seguir funcionando si la capacidad de Ah de las baterías combinadas, excluyendo la batería con sobrecorriente, es igual o mayor que 15 Ah. Una vez que la batería con sobrecorriente vuelva a la normalidad, se unirá a la alimentación del tractor inmediatamente y el símbolo desaparecerá.
	El símbolo de compartimento de la batería vacío parpadea.	APAGADO	No	La capacidad de la batería no es suficiente para que el tractor pueda funcionar.	Para arrancar este tractor, utilice suficientes baterías EGO siguiendo las instrucciones de la sección «INSTALAR/QUITAR LA BATERÍA» de este manual.

Pantalla LCD	Descripción	Indicador de estado del tractor	Indicador acústico	Causa	Solución
	El símbolo de temperatura y el compartimento exacto ocupado de la batería parpadean al mismo tiempo.	APAGADO	No	La batería instalada en el compartimento con el número correspondiente se ha sobrecalentado.	<ol style="list-style-type: none"> 1. El tractor puede seguir funcionando si la capacidad de Ah de las baterías combinadas, excluyendo la batería sobrecalentada, cumple el requisito. Cuando la batería sobrecalentada haya recuperado la temperatura normal, unirá su potencia inmediatamente a las demás baterías para accionar el tractor. 2. Si la capacidad de Ah combinada de las baterías no cumple el requisito, el tractor no funcionará hasta que se inserten más baterías en los compartimentos de batería que están libres. 3. Reduzca la carga del tractor elevando la altura de corte de la plataforma o reduciendo la velocidad de conducción cuando reanude el funcionamiento.
	El símbolo de temperatura parpadea.	APAGADO	Un pitido	El tractor está sobrecalentado.	Reduzca la carga del tractor elevando la altura de corte de la plataforma o reduciendo la velocidad de las cuchillas o la velocidad de conducción. Tómese un descanso y deje que el tractor se enfríe.
				El tractor está demasiado frío.	Por favor, no haga intentos repetidos que puedan dañar la máquina. Guarde siempre el tractor y las baterías en un entorno cálido. Vuelva a arrancar el tractor cuando se haya calentado.
	El símbolo de alerta parpadea	Parpadea de color rojo	Un pitido	El motor de las cuchillas se ha sobrecargado.	Suba la altura de corte de la plataforma o reduzca la velocidad de conducción para disminuir la carga del tractor.
				La tolva de descarga lateral está obstruida con hierba y residuos.	Limpie la tolva de descarga lateral después de cada uso.
				Hay una interferencia entre la cuchilla y la plataforma del tractor.	Llame al centro de atención al cliente de EGO.
	Los símbolos de cada compartimento de batería ocupado y el símbolo de alerta parpadean con una frecuencia de 1 segundo al mismo tiempo en la pantalla LCD.	Parpadea de color rojo	Continúa pitando hasta que se empuja hacia abajo el interruptor de toma de fuerza.	La carga de las baterías es baja y el tractor está en el modo de conducción de emergencia.	<p>Deje de usar el cortacésped y regrese al lugar de carga de la batería.</p> <p>NOTA: Cuando el tractor está en el modo de conducción de emergencia, las cuchillas se conmutan automáticamente a la velocidad de giro baja y, al mismo tiempo, suena continuamente el indicador acústico. El usuario debe empujar el interruptor de la toma de fuerza hacia abajo para apagar los motores de la cuchilla. El indicador acústico dejará de sonar después de que se detengan las cuchillas.</p>

Pantalla LCD	Descripción	Indicador de estado del tractor	Indicador acústico	Causa	Solución
	El símbolo de cada compartimento de batería ocupado y el símbolo de alerta parpadean una vez cada medio segundo.	Parpadea de color rojo	Continúa pitando	Se ha interrumpido el funcionamiento del motor de las cuchillas y el interruptor de toma de fuerza no está en la posición de desconexión.	El tractor dejará de funcionar inmediatamente. El usuario deberá transportar el tractor al lugar de carga de la batería para recargarlo.
	El símbolo de CCS se enciende en la pantalla LCD	Verde fijo	No	El tractor continúa avanzando a una velocidad establecida sin necesidad de pisar el pedal del acelerador.	Este es el funcionamiento normal. Si es necesario, desactive la función CCS siguiendo las instrucciones del apartado « Para desactivar (salir) el control de crucero (CCS) » en el manual.
	El símbolo de CCS parpadea en la pantalla LCD.	APAGADO	No	La función CCS (sistema de control de crucero) ha fallado. El pedal del freno de estacionamiento se ha presionado para detener el tractor.	La función CCS no se podría establecer si el tractor conduce a muy baja velocidad o conduce marcha atrás. Después de soltar el pedal del freno de estacionamiento, pulse el botón CCS y el símbolo CCS se encenderá en la pantalla LCD, o salga de la función CCS siguiendo las instrucciones en del apartado « Para desactivar (salir) el control de crucero (CCS) ».
	El símbolo de ausencia de bolsa se enciende en la pantalla LCD	No procede	No	Indica que la bolsa colectora de hierba no está montada en el tractor o no está montada correctamente.	Monte la bolsa colectora de hierba en el tractor correctamente.
	El símbolo de bolsa llena parpadea en la pantalla LCD	No procede	No	Indica que la bolsa colectora de hierba está llena.	Vacíe la bolsa colectora de hierba y vuelva a instalarla correctamente.
No procede	No procede	APAGADO	Continúa pitando	El tractor está estacionado en una pendiente y el usuario sale del tractor sin poner el pedal del freno de estacionamiento en la posición del freno de estacionamiento.	Coloque el pedal del freno de estacionamiento en la posición del freno de estacionamiento. El símbolo del freno de estacionamiento se iluminará y el indicador acústico dejará de sonar.
APAGADO	Fallo del puerto de carga	ROJO fijo	No procede	No hay alimentación eléctrica.	Compruebe si en la toma de corriente hay una alimentación de 220 V - 240 V y si el enchufe está en buen estado.
		ROJO fijo	No procede	Fallos electrónicos, como que el puerto de carga esté en circuito abierto, se haya fundido el fusible, etc.	Póngase en contacto con el centro de atención al cliente de EGO para solicitar una reparación.

REFERENCIA DE CÓDIGOS DE ERROR

Descripción	Código de error en la pantalla LCD	Indicador acústico	Solución
El motor de las cuchillas izquierdo no gira.	509	Un pitido	Inspeccione primero la cuchilla. Si se ha aflojado, apriete el tornillo con el par recomendado. De lo contrario, póngase en contacto con el centro de atención al cliente de EGO para solicitar una reparación.
El motor de las cuchillas derecho no gira.	609	Un pitido	

ES

AVISO: Si en la pantalla LCD se muestra algún otro código de error que pudiera indicar un fallo de la placa de circuitos, una conexión suelta, un fallo del motor de accionamiento, los motores de la cuchilla, etc., quite todas las baterías y vuelva a insertarlas al cabo de unos pocos minutos para reiniciar el tractor. Si con ello no se resuelve el problema, anote el código de error y póngase en contacto con el centro de atención al cliente de EGO para solicitar una reparación.

GARANTÍA

POLÍTICA DE GARANTÍA DE EGO

Visite la página web egopowerplus.eu para conocer los términos y condiciones completos de la política de garantía de EGO.

LEIA TODAS AS INSTRUÇÕES!



LEIA O MANUAL DO UTILIZADOR

PT SÍMBOLO DE SEGURANÇA

O objetivo dos símbolos de segurança é chamar a atenção para possíveis perigos. Os símbolos de segurança e as explicações apresentadas com eles requerem a sua atenção e compreensão. Os avisos de segurança, só por si não eliminam o perigo. As instruções e avisos dados não são substitutos para medidas de prevenção adequadas a acidentes.

AVISO: Certifique-se de que lê e compreende todos os avisos de segurança neste manual do utilizador, incluindo todos os símbolos de alerta de segurança, como “**PERIGO**”, “**AVISO**”, e “**CUIDADO**” antes de usar esta ferramenta. Não seguir todas as instruções apresentadas abaixo pode resultar em choque elétrico, incêndio e/ou ferimentos graves.

SIGNIFICADO DOS SÍMBOLOS

Esta página retrata e descreve os símbolos de segurança que podem aparecer neste produto. Leia, compreenda e siga todas as instruções na máquina antes de tentar montar e utilizar.

SÍMBOLOS DE SEGURANÇA

	Alerta de segurança		Leia e compreenda o manual de instruções.
	Proteção ocular		Proceda à manutenção dos dispositivos de segurança.
	PERIGO - Perigo em encostas íngremes		PERIGO - Mantenha as outras pessoas afastadas das lâminas.
	Nunca transporte crianças		Olhe para trás enquanto faz marcha-atrás.
	AVISO - Não use esta máquina em inclinações superiores a 12°.		PERIGO - Podem ser atirados objetos.
	AVISO - MANTENHA AS MÃOS E PÉS AFASTADOS.		Nível de potência do som garantido. De acordo com as diretivas da União Europeia.
	Não suba		Os produtos elétricos residuais não deverão ser eliminados juntamente com o lixo doméstico comum. Entregue-os num centro de reciclagem autorizado.
	Este produto encontra-se em conformidade com as diretivas CE aplicáveis.		CUIDADO - Não olhe diretamente para a luz de funcionamento.
	Corrente direta		Este produto encontra-se em conformidade com a legislação no Reino Unido.

kPa	Kilopascal	RPM	Rotações por minuto
V	Volts	m	Metros
in	Polegada	cm	Centímetros
Nm	Newton metros	mm	Milímetros
°C	Celsius	kg	Quilograma
km/h	Quilômetros por hora	IPX4	Grau de proteção de entrada

SÍMBOLOS NESTE MANUAL



A informação tem de ser anotada



A ação indicada pára

CARACTERÍSTICAS TÉCNICAS

Voltagem		56 V
Tamanho da plataforma		98 cm
Tamanho da roda	Dianteira	15 x 6 – 6 in
	Traseira	18 x 7.5 – 8 in
Pressão do pneu frio	Dianteira	96.5 kPa
	Traseira	170 kPa
Velocidade da lâmina (RPM)		Até 3000
Velocidade máxima de condução	Avançar	Até 9,6 km/h
	Retroceder	Até 4,8 km/h
Ajuste da altura de corte (12 posições)		25 – 100 mm
Raio da temperatura de carregamento		5 °C – 40 °C
Temperatura de funcionamento		0 °C – 40 °C
Temperatura de armazenamento		-20 °C – 70 °C
Peso (sem a bateria)		220 kg
Nível da potência do som medido L_{WA}		97,7 dB(A) K=1,75 dB(A)
Nível da pressão do som no ouvido do operador L_{PA}		83,6 dB(A) K=3 dB(A)
Nível de potência do som garantido L_{WA} (medido de acordo com 2000/14/CE)		100 dB(A)
Vibração a_h	Mão	0,24 m/s ² K=1,5 m/s ²
	Estrutura	0,18 m/s ² K=1,5 m/s ²

- O valor total declarado da vibração foi medido de acordo com um método de teste padrão e pode ser usado para comparar duas ferramentas.
- O valor total declarado da vibração também pode ser usado numa avaliação preliminar da exposição.

AVISO: A emissão de vibrações durante a utilização da ferramenta elétrica pode diferir do valor declarado em que a ferramenta é usada. De modo a proteger o utilizador, este deverá usar luvas e proteção auditiva nas condições atuais de utilização.

ACESSÓRIOS RECOMENDADOS

AVISO: Use apenas os acessórios listados abaixo. A utilização de acessórios que não vão ao encontro das especificações do equipamento original pode dar origem a um desempenho inadequado e comprometer a segurança.

NOME DA PEÇA	NÚMERO DO MODELO
Conjunto de lâminas de recolha	AB3801TD
Tampa de adubar	AMP3800T

DESCRIÇÃO

CONHEÇA O TRATOR (Imagem A1)

1. Assento
2. Suportes para copo
3. Roda traseira (roda condutora) (x2)
4. Porta de lavagem (x2)
5. Plataforma
6. Roda anti-scalp (x2)
7. Roda dianteira (x2)
8. Amortecedor dianteiro
9. Pedal do travão de estacionamento
10. Luz dianteira LED (x2)
11. Unidade da alimentação
12. Compartimento de arrumação
13. Alavanca de fixação do travão de estacionamento
14. Volante
15. Alavanca de ajuste da posição do assento

16. Saco de recolha da relva
17. Porta de carregamento
18. Porta USB
19. Cesto de arrumação
20. Pedal do acelerador
21. Alavanca de ajuste da altura da plataforma
22. Alavanca de inclinação
23. Pega
24. Indicador do estado do trator
25. Botão de ajuste da velocidade da lâmina
26. Botão de CORTAR A RELVA DE MARCHA-ATRÁS
27. Botão de Iniciar/Parar
28. Alavanca de controlo direcional
29. Chave de segurança
30. Interruptor PTO
31. Botão CCS
32. Botão das luzes LED / Botão Bluetooth
33. Botão de ajuste da velocidade de condução
34. Botão de libertação da cobertura da unidade da alimentação
35. Cobertura da unidade da alimentação
36. Unidade da alimentação com seis compartimentos da bateria
37. Botão de libertação da bateria

CONHEÇA O ECRÃ LCD (Imagem A2)

Consulte a secção “REFERÊNCIA DO ESTADO DO TRATOR” e “REFERÊNCIA DO CÓDIGO DE FALHA” para obter mais informações acerca dos ícones e indicadores no ecrã LCD.

1. Ícone CCS
2. Indicador do estado do dispositivo de segurança
3. Ícone de CORTAR A RELVA DE MARCHA-ATRÁS DESLIGADO
4. Ícone de condução
5. Ícone de inversão
6. Ícone da chave de segurança
7. Ícone das luzes LED
8. Ícone de Bluetooth
9. Indicador da velocidade da lâmina
10. Contador das horas de utilização
11. Manómetro do combustível
12. Ícone da temperatura
13. Ícone de alerta (sobrecarga / pouca energia)
14. Ícone do compartimento da bateria vazio
15. Ícone do compartimento da bateria ocupado
16. Indicador do código de erro
17. Indicador de carga
18. Indicador da velocidade de condução
19. Ícone de saco de recolha cheio
20. Ícone de sem saco de recolha

DESEMPACOTAR

AVISO: Guarde o material de empacotamento até ter inspecionado cuidadosamente e ter utilizado de modo satisfatório o produto. Se houver peças na lista de peças montadas na máquina, contacte imediatamente o serviço EGO.

AVISO: Exceto as ferramentas na lista de peças apresentada abaixo, todas as outras ferramentas mencionadas nos manuais são recomendadas, mas não fornecidas.

LISTA DE PEÇAS (Imagem B)

B-1	Trator corta-relva	B-2	Assento
B-3	Volante	B-4	Tampa do pé
B-5	Chaves combinadas	B-6	Chave de caixa de 18 mm
B-7	Parafusos do degrau (1 extra)	B-8	Porcas M8 (1 extra)
B-9	Porcas M12 (1 extra)	B-10	Anilhas (1 extra)
B-11	Chave de segurança	B-12	Acoplador rápido da porta de lavagem
B-13	Manual do utilizador	B-14	Saco de recolha da relva (com dois conjuntos de parafuso e porca para os suportes laterais)
B-15	Suporte em forma de U	B-16	Suporte lateral
B-17	Alavanca de inclinação	B-18	Suporte esquerdo e direito do saco de recolha
B-19	Barra cruzada	B-20	Parafuso M8X40
B-21	Parafuso M8X25	B-22	Porca M8

MONTAGEM

INSTALAR O VOLANTE (Imagem C1)

C1-1	Coluna da direção	C1-2	Volante
C1-3	Linha central	C1-4	Anilha
C1-5	Porca	C1-6	Chave de caixa de 18 mm
C1-7	Cobertura do pé		

INSTALAR O ASSENTO (Imagem C2)

⚠ AVISO: O sistema de bloqueio de segurança não pode ser desligado nem anulado. Se o fizer, o trator pode começar a funcionar inesperadamente, dando origem a ferimentos.

C2-1	Assento	C2-2	Porca (M8)
C2-3	Parafuso do degrau	C2-4	Tomada
C2-5	Ficha		

INSTALAR O SACO DE RECOLHA DA RELVA (Imagem C3 – C8)

C3-1	Suporte em forma de U	C3-2	Saco de recolha
C3-2	4 conjuntos de parafusos e porcas (M8 X 40)	C3-4	Chave combinada
C4-1	Suportes laterais	C4-2	4 conjuntos de parafusos e porcas (M8 X 40)
C4-3	Chave combinada	C5-1	Alavanca de inclinação
C5-2	1 conjunto de parafuso e porca (M8 X 40)	C5-3	Chave combinada
C6-1	Suportes do saco de recolha	C6-2	4 conjuntos de parafusos e porcas (M8 X 25)
C6-3	Chaves combinadas	C7-1	Barra cruzada
C7-2	2 porcas (M8)	C7-3	Chave combinada

AJUSTE

ANTES DO AJUSTE (Imagem D1)

AJUSTAR A ALTURA DA PLATAFORMA DE CORTE (Imagem D2)

AJUSTAR AS RODAS ANTI-SCALP (Imagem D3 – D6)

D3-1	Rodas anti-scalp	D5-1	Porca
D5-2	Parafuso de roda	D6-1	Etiqueta da altura da plataforma

AJUSTAR O ASSENTO (Imagem D7)

D7-1	Alavanca de ajuste da posição do assento
------	--

FUNCIONAMENTO

ANTES DO FUNCIONAMENTO (Imagem E1)

CONFIGURAÇÃO DO TRAVÃO DE ESTACIONAMENTO (Imagem E2)

E2-1	Posição do travão de estacionamento	E2-2	Posição de libertado
------	-------------------------------------	------	----------------------

⚠ AVISO: O PEDAL DO TRAVÃO DE ESTACIONAMENTO NÃO ABRANDA A VELOCIDADE DE CONDUÇÃO. NUNCA TENHA PRESSIONAR O PEDAL DO TRAVÃO DE ESTACIONAMENTO PARA ABRANDAR A VELOCIDADE DE CONDUÇÃO DURANTE A CONDUÇÃO. QUANDO O PEDAL DO TRAVÃO DE ESTACIONAMENTO FOR PRESSIONADO MAS NÃO ESTIVER NA POSIÇÃO DE TRAVÃO DE ESTACIONAMENTO, O TRAVÃO ELÉTRICO DEIXA DE SER EFICAZ E O TRATOR PÁRA DE SE MOVER NUMA SUPERFÍCIE PLANA. MAS SE ISTO ACONTECER NUMA ENCOSTA, O TRATOR PODE DESLIZAR PELA ENCOSTA ABAIXO QUANDO O PEDAL DO TRAVÃO DE ESTACIONAMENTO FOR LIBERTADO.

⚠ AVISO: PUXE A ALAVANCA DE FIXAÇÃO DO TRAVÃO DE ESTACIONAMENTO E PRESSIONE O PEDAL DO TRAVÃO DE ESTACIONAMENTO IMEDIATAMENTE PARA O ATIVAR NA POSIÇÃO DE TRAVÃO DE ESTACIONAMENTO NO CASO DE EMERGÊNCIA. O TRATOR PÁRA IMEDIATAMENTE E NÃO DESLIZA PELA ENCOSTA ABAIXO.

FIXAR/RETIRAR A BATERIA (Imagem E3 – E6)

De modo a ligar este trator, precisa de baterias da EGO com 15 Ah (2 X BA4200/BA4200T) ou mais. Para um melhor desempenho, recomendamos a utilização de baterias da EGO com um total de 30 Ah ou mais.

E3-1	Botão de libertação da cobertura	E5-1	Botão de libertação da bateria
------	----------------------------------	------	--------------------------------

CARREGAR O TRATOR

Utilize apenas com as baterias e carregadores recomendados.

- Carregar separadamente as baterias (Imagem E7)

AVISO: Consulte o manual da bateria e do carregador para obter mais instruções detalhadas.

- Carregar as baterias através da porta de carregamento (Imagem E8 – E10)

E10-1	Tampa do pó	E10-2	Porta de carregamento
-------	-------------	-------	-----------------------

TESTAR O SISTEMA DE BLOQUEIO DE SEGURANÇA

- Testar o sistema da plataforma-lâmina (Imagem E11 – E12)
- Testar o sistema de condução (Imagem E13 – E14)

Se o sistema plataforma-lâmina e/ou o sistema de condução não pararem quando o operador se levantar do assento, e se a causa não puder ser determinada após confirmar a correta ligação da ficha e da tomada do assento, contacte imediatamente o seu centro de apoio ao cliente EGO.

TECNOLOGIA DE COMUNICAÇÃO

Para mais informações sobre a nossa gama completa de produtos e serviços conectados, incluindo instruções de conexão, leia o código QR apresentado abaixo, ou visite www.egopowerplus.eu/connect.



LISTA DE VERIFICAÇÃO ANTES DA UTILIZAÇÃO

- Certifique-se de que não se encontram presentes crianças, outras pessoas ou animais na área de trabalho.
- Limpe a área de trabalho de objetos que possam ser atirados pelas lâminas do trator.
- Limpe os resíduos do trator.
- Verifique se existem fixadores soltos.

- Certifique-se de que todas as proteções estão no devido lugar e a funcionar corretamente.
- Inspeccione visualmente se os pneus têm ar.
- Verifique o funcionamento do travão.
- Ajuste a altura da plataforma para a posição de corte que melhor se adequa ao relvado, e ajuste as rodas anti-scalp conforme necessário.
- Ajuste a posição do assento e certifique-se de que chega a ambos os pedais.
- Verifique o nível de carga da bateria.
- Teste o sistema de bloqueio de segurança.
- Certifique-se de que o saco de recolha da relva fica bem instalado.

LIGAR O TRATOR (Imagem E15 – E16)

AVISO: Evite arranques, paragens e curvas repentinas, bem como velocidade excessiva, especialmente quando estiver a aprender a operar o trator. O trator pode girar rapidamente, o que pode fazer com que perca o controlo e dar origem a ferimentos sérios e/ou danos.

AVISO: Antes de ligar o trator, verifique e certifique-se de que as lâminas são desengatadas no espaço de 5 segundos após pressionar o interruptor PTO para baixo. Se as lâminas não pararem, não use o trator e contacte imediatamente o seu serviço de apoio ao cliente EGO.

NOTA:

- Se o pedal do travão de estacionamento estiver colocado na posição do travão de estacionamento, só precisa de premir o botão de iniciar/parar durante 3 segundos para ligar o ecrã LCD, e depois libertar o pedal do travão de estacionamento antes de conduzir o trator.
- As lâminas de corte podem ser ativadas a qualquer altura quando o ecrã LCD estiver completamente iluminado e a alavanca de controlo direcional não estiver puxada para trás na direção “R”. Para ativar as lâminas enquanto conduz o trator de marcha-atrás, consulte a secção “**ATIVAR AS LÂMINAS ENQUANTO CONDUZ DE MARCHA-ATRÁS**” neste manual.

AVISO: Siga a Imagem E17 para obter a velocidade de condução mais baixa até ser completamente capaz de operar o trator em todas as situações.

O trator corta-relva não memoriza a velocidade de condução nem as definições de velocidade da lâmina. A velocidade de condução e velocidade da lâmina voltam ao nível 2 sempre que o trator for desligado.

Ajuste da velocidade de condução (Imagem E17)

Ajuste da velocidade da lâmina (Imagem E18)

NOTA: Quando se encontrar no “Nível 3”, prima de novo o botão de ajuste da velocidade da lâmina e a velocidade da lâmina volta à velocidade anterior.

Faróis LED (Imagem E19)

- Os faróis LED podem ser ligados e desligados através do interruptor da luz LED.

Porta USB

AVISO: A porta USB fornece uma potência de carregamento de 5 volts DC de 1,5 amperes combinados, e é alimentada apenas quando o trator é ligado.

PARAR O TRATOR (Imagem E20)

AVISO: Coloque sempre o pedal do travão de estacionamento na posição do travão de estacionamento quando parar de conduzir o trator numa encosta, caso contrário, o trator pode deslizar pela encosta abaixo, o que pode causar sérios danos no trator e ferimentos!

NOTA: Numa situação em que o pedal do travão de estacionamento esteja na posição do travão de estacionamento e o operador não esteja no assento, mas as baterias tenham sido retiradas:

- Caso o ecrã LCD esteja desligado, os indicadores da bateria, botão de iniciar/parar e botão CCS permanecem ligados durante 1 hora.
- Caso o ecrã LCD apresente “manómetro do combustível” ou interface do operador, o trator desliga-se automaticamente passado 1 hora.

Modo limitado

Quando a carga da bateria ficar criticamente baixa, o trator entra no modo limitado para preservar energia suficiente para voltar para a área de carregamento.

- As lâminas passam para uma velocidade de rotação baixa, podendo cortar apenas pequenas quantidades de relva. Quando encontrar relva alta e densa, as lâminas param de rodar. O indicador sonoro emite um som intermitente.
- O indicador do estado do trator pisca a vermelho a cada segundo, o ícone de alerta (pouca energia) e o ícone de cada compartimento da bateria ocupado piscam.

O operador deverá:

- Pressionar o interruptor PTO para baixo para desligar os motores da lâmina. O indicador sonoro pára de emitir sons quando os motores da lâmina pararem.
- Pare de trabalhar e vá para a área de carregamento o mais depressa possível. A distância máxima que o trator consegue viajar é de 1000 m.

Quando a bateria estiver quase gasta, o ícone de alerta (pouca energia) e o ícone de cada compartimento da bateria ocupado piscam a cada meio segundo. O trator pára imediatamente de funcionar. O operador tem de transportar o trator para a área de carregamento para se proceder ao carregamento.

AVISO: Se precisar de empurrar manualmente, certifique-se de que as baterias estão desligadas do trator e que o pedal do travão de estacionamento não está na posição do travão de estacionamento.

CONDUZIR O TRATOR (Imagem E21)

⚠ PERIGO: Permaneça a, pelo menos, duas larguras de corte de quaisquer valas, fossos ou água. As rodas dianteiras podem rodar quando o trator estiver parado, mesmo que tenha o travão ativado, e fazer com que o trator caia para um buraco ou para dentro de água, resultando em morte ou ferimentos sérios.

⚠ AVISO: Não utilize o trator em vias públicas.

⚠ AVISO: Se ocorrer um bloqueio ou se bater contra um objeto estranho, pare os motores e retire a bateria. Retire restos de relva, folhas, sujidade e outros detritos acumulados, inspecione bem o trator quanto a danos e repare os danos antes de reiniciar e voltar a utilizar o trator.

NOTA:

- Durante a condução, quando sair do assento, o indicador do estado do trator desliga-se. Quando voltar a conduzir, volte a sentar-se no assento e pressione por completo o pedal do travão de estacionamento para que o indicador do estado do trator acenda a verde.
- Quando alternar entre avanço e marcha-atrás durante a condução, mova a alavanca de controlo direcional diretamente de uma extremidade para a outra sem parar na posição de ponto-morto, caso contrário, o trator pode parar de se mover.


USAR O CRUISE CONTROL (CCS)



Para ativar (entrar) o Cruise Control (CCS) (Imagem E22)

NOTA: O nível da velocidade de condução apresentado no ecrã LCD pode não representar com precisão a velocidade atual de condução do trator no cruise control. Prima um dos botões de ajuste da velocidade para “atualizar” o nível de velocidade de condução no ecrã LCD.

Para parar (sair) do Cruise Control (CCS), pode selecionar um dos três modos:

- Pressione o pedal do acelerador e mantenha-o pressionado. A função CCS pára e o trator continua a avançar.
- Pressione ligeiramente o pedal do acelerador e liberte-o. O trator e a função CCS param.
- Prima o botão CCS. O trator e a função CCS param.

NOTA: Quando o CCS é parado, o ícone “” desaparece do ecrã LCD e emite dois sons.

NOTA: Se o pedal do travão de estacionamento for pressionado, o trator pára, mas o ícone “” pisca no ecrã LCD para indicar que o CCS está no estado inativo. Neste caso, liberte o pedal do travão de estacionamento e prima o botão CCS. O trator continua automaticamente a condução e o ícone “” pára de piscar.

ATIVAR AS LÂMINAS ENQUANTO CONDUZ DE MARCHA-ATRÁS

AVISO: Não recomendamos que corte a relva de marcha-atrás.


⚠ AVISO: Tenha muito cuidado quando cortar relva de marcha-atrás. Certifique-se sempre de que não há outras pessoas na área de trabalho enquanto corta a relva de marcha-atrás, especialmente crianças pequenas.

⚠ AVISO: A visibilidade dos operadores pode ser anulada quando operar o trator com o saco de recolha da relva. Tenha muito cuidado e familiarize-se com o que se encontra em seu redor antes e durante o corte de marcha-atrás.



Ativar (entrar) O CORTE DE MARCHA-ATRÁS (E23)

Para parar (sair) DO CORTE DE MARCHA-ATRÁS, pode selecionar um dos quatro modos:

- Prima o botão de CORTAR A RELVA DE MARCHA-ATRÁS uma vez.
- Levante-se do assento do trator.
- Prima o botão de iniciar/parar durante 3 segundos para desligar o ecrã LCD.
- Retire a chave de segurança ou retire as baterias para desligar o trator.

NOTA: Quando parar de CORTAR DE MARCHA-ATRÁS, o ícone “” acende no ecrã LCD.

ESVAZIAR O SACO DE RECOLHA DA RELVA (Imagem E24)

NOTA: Quando o ícone “” pisca no ecrã LCD, o saco de recolha da relva está cheio. Após esvaziar o saco de recolha da relva, o ícone “” desaparece do ecrã LCD.

NOTA: O saco de recolha da relva deverá ser colocado corretamente no trator, caso contrário, o trator pode ser conduzido, mas os motores das lâminas não são ativados.

MANUTENÇÃO

⚠ AVISO: Use sempre proteções oculares com escudos laterais. Se não o fizer, pode apanhar com objetos nos olhos dando origem a possíveis ferimentos sérios.

⚠ AVISO: Proteja sempre as suas mãos usando luvas resistentes ou embrulhando as extremidades de corte com trapos ou com outros materiais quando efetuar qualquer manutenção na lâmina do trator. Retire sempre a chave de segurança e as baterias quando reparar ou transportar o trator.

AGENDA DE MANUTENÇÃO RECOMENDADA

Intervalo do serviço de manutenção	Processo de manutenção
Antes de cada utilização ou diariamente	<ul style="list-style-type: none"> Verifique o sistema de bloqueio de segurança. Inspeccione visualmente se os pneus têm ar. Inspeccione as lâminas. Inspeccione todo o produto quanto a danos, peças em falta ou soltas, como a saída de descarga lateral, parafusos, porcas, tampas, etc., certificando-se de que todas as proteções estão no devido lugar e a funcionar corretamente. Certifique-se de que o pedal do acelerador pode ser pressionado e libertado corretamente. Verifique o amortecedor do volante. O volante deverá ser rodado com uma certa resistência.
Após cada utilização	<ul style="list-style-type: none"> Limpe o trator e lave a plataforma.
A cada 25h	<ul style="list-style-type: none"> Verifique a pressão dos pneus.
A cada 100h	<ul style="list-style-type: none"> Verifique as rodas traseiras, certificando-se de que todas as porcas de roda estão apertadas com o binário recomendado (101-103 Nm). Verifique as rodas dianteiras, certificando-se de que a porca está apertada com o binário recomendado (90-92 Nm).
A cada 200h	<ul style="list-style-type: none"> Verifique as rodas dianteiras, certificando-se de que rodam livremente.
A cada seis meses	<ul style="list-style-type: none"> Verifique o pedal do travão de estacionamento. Retire a bateria do trator, puxe a alavanca de fixação do travão de estacionamento e pressione o pedal do travão de estacionamento para ativar o travão de estacionamento. Pressione manualmente o trator para a frente para ver se ele se move sem que as rodas traseiras rodem. Se o trator se mover e as rodas traseiras rodarem, contacte o centro de apoio ao cliente da EGO para efetuar a reparação.
Antes do armazenamento	<ul style="list-style-type: none"> Retire as baterias do trator. Retire a chave de segurança do trator. Efetue todos os procedimentos de manutenção listados acima, e limpe bem o trator. Inspeccione o produto por completo quanto a peças danificadas, em falta ou soltas. Substitua ou aperte as respetivas peças antes de proceder ao armazenamento.
Anualmente	<ul style="list-style-type: none"> Lubrifique as mangas do eixo das rodas dianteiras.

PT

MANUTENÇÃO GERAL

Esvaziar o saco de recolha da relva (Imagem F1 – F3)

Limpeza da estrutura do trator (Imagem F4)

Usar a porta de lavagem para limpar a plataforma do trator (Imagem F5 – F6)

F5-1	Porta de lavagem	F5-2	Acoplador rápido da porta de lavagem
F5-3	Mangueira de jardim		

AVISO: Quando terminar de limpar, desligue o trator por completo e retire a mangueira de jardim e o acoplador rápido.

PROCEDER À MANUTENÇÃO DA PLATAFORMA DO TRATOR E DAS LÂMINAS DE CORTE

Preparação (Imagem G1)

Retirar a plataforma (Imagem G2 – G3)

G2-1	Cabo do motor	G2-2	Perno
G2-3	Elo de suspensão		

Substituir as lâminas de corte (Imagem G4 – G6)

G4-1	Estabilizador	G5-1	Parafuso
G5-2	Anilha	G5-3	Lâmina
G5-4	Rebordo	G5-5	Eixo do motor

Nivelar a plataforma

- Quando nivelar (Imagem G7 – Imagem G8 – Imagem G9)**
- Antes de nivelar**
 - Verificar a pressão do pneu frio (Imagem G10)
 - Verifique as lâminas de corte. Retire e substitua as lâminas gastas, rachadas e/ou dobradas conforme necessário.
- Preparação para nivelar (Imagem G11)**
- Como nivelar**
 - Para efetuar ajuste lado a lado (Imagem G12)
 - Para efetuar ajuste frente-atrás (Imagem G13)

ARMAZENAMENTO E TRANSPORTE

TRANSPORTAR O TRATOR (Imagem H1 – H5)

H2-1	Rampas	H2-2	Alças
------	--------	------	-------

AVISO: Fixe o trator conforme necessário, usando correias ou cabos para evitar o movimento durante o transporte.

ARMAZENAMENTO (Imagem I1 – I2)

AVISO: Retire e guarde as baterias em separado. Consulte os respetivos manuais.

Limpe e verifique o trator antes do armazenamento. Consulte as secções “**MANUTENÇÃO GERAL**” e “**AGENDAS DE MANUTENÇÃO RECOMENDADAS**”.

Proteja o ambiente




REEE (Resíduos de Equipamento Elétrico e Eletrónico) Não elimine equipamento elétrico, bateria gasta nem carregador juntamente com o lixo doméstico comum! Leve este produto a um centro de reciclagem autorizado para que possa haver uma separação das peças. As ferramentas elétricas têm de ser devolvidas em instalações de reciclagem ambientalmente compatíveis.

PT

RESOLUÇÃO DE PROBLEMAS

PT

PROBLEMA	CAUSA	SOLUÇÃO
O trator corta-relva elétrico não avança quando o pedal do acelerador é pressionado.	<ul style="list-style-type: none"> ▪ O Ah combinado das baterias inseridas não vai ao encontro dos requisitos. 	<ul style="list-style-type: none"> ▪ Para ligar este trator, use baterias EGO suficientes, seguindo as instruções na secção “FIXAR/RETIRAR A BATERIA” neste manual.
	<ul style="list-style-type: none"> ▪ O pedal do travão de estacionamento está na posição de travagem. 	<ul style="list-style-type: none"> ▪ Pressione por completo o pedal do travão de estacionamento para o libertar da posição de travão de estacionamento.
	<ul style="list-style-type: none"> ▪ O indicador do estado do trator não acende a verde. 	<ul style="list-style-type: none"> ▪ Pressione o pedal do travão de estacionamento e depois liberte. O indicador do estado do trator acende a verde, o que significa que o trator está pronto para ser utilizado.
	<ul style="list-style-type: none"> ▪ O operador não está sentado no assento. 	<ul style="list-style-type: none"> ▪ O trator só pode ser utilizado quando o operador estiver sentado corretamente no assento.
	<ul style="list-style-type: none"> ▪ O sistema de bloqueio de segurança do assento não está ligado corretamente. 	<ul style="list-style-type: none"> ▪ Retire as baterias do trator e levante a parte traseira do assento para se certificar de que a ficha do cabo está devidamente ligada na tomada no fundo do assento (consulte o capítulo “INSTALAR O ASSENTO”). Siga as instruções em “LIGAR O TRATOR” para voltar a ligar o trator, para ver se este pode ser ligado. Se não for o caso, contacte o centro de apoio ao cliente da EGO para se proceder à reparação.
	<ul style="list-style-type: none"> ▪ Quando estiver muito frio, a função de condução pode não ligar com sucesso, devido à proteção contra baixa temperatura. 	<ul style="list-style-type: none"> ▪ Guarde sempre o trator e as baterias num ambiente quente. Volte a ligar o trator quando este aquecer. Não faça tentativas repetidas em condições de frio extremo que possam danificar a máquina.
	<ul style="list-style-type: none"> ▪ A zona do pedal do acelerador está obstruída com resíduos. 	<ul style="list-style-type: none"> ▪ Verifique e retire os resíduos.
	<ul style="list-style-type: none"> ▪ Falha dos componentes mecânicos ou eletrónicos do pedal do acelerador. ▪ A alavanca de controlo direcional está na posição de ponto-morto. 	<ul style="list-style-type: none"> ▪ Contacte o centro de apoio ao cliente da EGO para efetuar a reparação. ▪ Pressione/puxe a alavanca de controlo direcional na direção de “D” ou “R”.

PROBLEMA	CAUSA	SOLUÇÃO
O trator corta-relva pára de avançar.	<ul style="list-style-type: none"> Quando alternar entre o avanço e a marcha-atrás durante a condução, a alavanca de controlo direcional permanece na posição de ponto-morto durante muito tempo. 	<ul style="list-style-type: none"> Liberte o pedal do acelerador e volte a pressioná-lo.
	<ul style="list-style-type: none"> Falha dos componentes eletrónicos do pedal do acelerador. 	<ul style="list-style-type: none"> Contacte o centro de apoio ao cliente da EGO para efetuar a reparação.
	<ul style="list-style-type: none"> O sistema de bloqueio de segurança foi desligado durante a condução em terrenos difíceis. 	<ul style="list-style-type: none"> Retire as baterias do trator e levante a parte traseira do assento para se certificar de que a ficha do cabo está devidamente ligada na tomada no fundo do assento (consulte o capítulo “INSTALAR O ASSENTO”). Siga as instruções em “LIGAR O TRATOR” para voltar a ligar o trator, para ver se este pode ser ligado. Se não for o caso, contacte o centro de apoio ao cliente da EGO para efetuar a reparação.
	<ul style="list-style-type: none"> O peso do operador não está distribuído uniformemente pelo assento. O peso do operador no assento tem de ser, pelo menos, de 20 kg para que o sistema de bloqueio de segurança funcione corretamente. 	<ol style="list-style-type: none"> Sente-se corretamente no assento, pressione por completo o pedal do travão de estacionamento e liberte-o. O trator está pronto para ser conduzido. Desligue e volte a ligar as baterias, se necessário.
	<ul style="list-style-type: none"> Quando o pedal do travão de estacionamento for pressionado o suficiente, mas não até à posição de estacionamento, o trator pára de se mover. 	<ul style="list-style-type: none"> Siga as instruções na secção “LIGAR O TRATOR” para reiniciar o trator.
<p>O trator corta-relva elétrico não ativa as lâminas quando o interruptor PTO é ativado.</p> <p> O ícone do interruptor PTO começa a piscar.</p>	<ul style="list-style-type: none"> O Ah combinado das baterias inseridas não vai ao encontro dos requisitos. 	<ul style="list-style-type: none"> Para ligar este trator, use baterias EGO suficientes, seguindo as instruções na secção “FIXAR/RETIRAR A BATERIA” neste manual.
	<ul style="list-style-type: none"> O interruptor PTO não foi premido quando o trator foi desligado da última vez. 	<ul style="list-style-type: none"> Pressione o interruptor PTO para baixo e depois para cima para reiniciar os motores da lâmina.
	<ul style="list-style-type: none"> O trator estava sobrecarregado quando as lâminas começaram a funcionar, dando origem à proteção automática dos motores da lâmina. 	<ul style="list-style-type: none"> Comece o corte da relva com a velocidade mais baixa da lâmina e não aumente a velocidade da lâmina até que as lâminas estejam a rodar corretamente.
	<ul style="list-style-type: none"> Quando estiver muito frio, a função de condução pode não ligar com sucesso, devido à proteção contra baixa temperatura. 	<ul style="list-style-type: none"> Guarde sempre o trator e as baterias num ambiente quente. Volte a ligar o trator quando este aquecer. Não faça tentativas repetidas em condições de frio extremo que possam danificar a máquina.
	<ul style="list-style-type: none"> A lâmina interfere com a plataforma deformada do trator. 	<ul style="list-style-type: none"> Contacte o centro de apoio ao cliente da EGO para efetuar a reparação.
	<ul style="list-style-type: none"> O saco de recolha da relva não foi instalado corretamente. 	<ul style="list-style-type: none"> Instale corretamente o saco de recolha da relva seguindo a secção “INSTALAR O SACO DE RECOLHA DA RELVA” no manual.

PROBLEMA	CAUSA	SOLUÇÃO
As lâminas param de rodar durante o corte da relva.	<ul style="list-style-type: none"> ■ O trator está sobrecarregado. 	<ul style="list-style-type: none"> ■ Aumente a altura de corte da plataforma ou abraque a velocidade de condução para reduzir a carga do trator.
	<ul style="list-style-type: none"> ■ A plataforma está obstruída com relva e detritos. 	<ul style="list-style-type: none"> ■ Limpe a plataforma do trator e certifique-se de que as lâminas se movem livremente.
	<ul style="list-style-type: none"> ■ O trator sobreaqueceu. 	<ul style="list-style-type: none"> ■ Reduza a carga do trator aumentando a altura de corte da plataforma ou diminuindo a velocidade da lâmina/condução, e permita ao trator arrefecer.
	<ul style="list-style-type: none"> ■ As baterias no compartimento da bateria do trator sobreaqueceram, dando origem a uma classificação Ah combinada de todas as baterias inseridas que não vai ao encontro dos requisitos. 	<ol style="list-style-type: none"> 1. O trator pode continuar a funcionar se a taxa Ah combinada da bateria, excluindo a bateria sobreaquecida, for ao encontro dos requisitos. Quando a bateria sobreaquecida voltar à temperatura normal, volta a ligar o trator. 2. Se a classificação Ah combinada da bateria não for ao encontro dos requisitos, o trator deixa de funcionar até que insira mais baterias nos compartimentos vazios da bateria. 3. Reduza a carga do trator aumentando a altura de corte da plataforma ou diminuindo a velocidade de condução quando continuar o funcionamento.
	<ul style="list-style-type: none"> ■ O trator está no modo limitado. 	<ul style="list-style-type: none"> ■ Quando o trator está no modo limitado, as lâminas passam automaticamente para uma velocidade de baixa rotação. O operador deverá parar de trabalhar e ir para a área de carregamento da bateria o mais depressa possível.
	<ul style="list-style-type: none"> ■ O trator bateu num objeto estranho, dando origem à ativação da proteção automática do motor. 	<ul style="list-style-type: none"> ■ Pressione o interruptor PTO para baixo e depois para cima para reiniciar os motores da lâmina.
	<ul style="list-style-type: none"> ■ O trator move-se de marcha-atrás com o ícone de CORTAR A RELVA DE MARCHA-ATRÁS DESLIGADO ligado no ecrã LCD. 	<ul style="list-style-type: none"> ■ Pressione o interruptor PTO para baixo e reinicie os motores da lâmina seguindo as instruções na secção “Ativar (entrar) O CORTE DE MARCHA-ATRÁS”.
O indicador sonoro continua a emitir sons.	<ul style="list-style-type: none"> ■ O trator está no modo limitado e as lâminas continuam ativas. 	<ul style="list-style-type: none"> ■ Prima o interruptor PTO para baixo para desligar os motores da lâmina. O indicador sonoro pára de emitir sons quando os motores da lâmina pararem.
	<ul style="list-style-type: none"> ■ O trator pára de avançar numa encosta e o operador sai do assento sem colocar o pedal do travão de estacionamento na posição de travagem de estacionamento. 	<ul style="list-style-type: none"> ■ Coloque o pedal do travão de estacionamento na posição de travagem de estacionamento antes de deixar o trator numa encosta.
Os indicadores da energia nas baterias ainda ficam ligados quando o trator é desligado.	<ul style="list-style-type: none"> ■ Quando o trator é desligado em piso nivelado sem retirar as baterias, os indicadores da energia permanecem ligados durante um certo tempo. 	<ul style="list-style-type: none"> ■ Não é necessária qualquer ação. Os indicadores da bateria desligam-se quando o trator se desligar passado um certo espaço de tempo. Consulte a secção “PARAR O TRATOR” durante um certo espaço de tempo.
	<ul style="list-style-type: none"> ■ Quando o trator é desligado numa encosta sem usar o pedal do travão de estacionamento, os indicadores da energia da bateria permanecem ligados até que a bateria fique sem energia. O indicador sonoro continua a emitir sons. 	<ul style="list-style-type: none"> ■ Coloque o pedal do travão de estacionamento na posição de travagem de estacionamento antes de deixar o trator numa encosta. Caso contrário, o trator pode deslizar pela encosta abaixo.

PROBLEMA	CAUSA	SOLUÇÃO
O ecrã LCD não acende com todos os ícones ligados.	<ul style="list-style-type: none"> ■ O botão de iniciar/parar não foi pressionado tempo suficiente. 	<ol style="list-style-type: none"> 1. O ecrã LCD apresenta apenas o “manómetro do combustível” quando o botão de iniciar/parar for premido brevemente. 2. O ecrã LCD liga-se após pressionar por completo o pedal do travão de estacionamento e pressionar em simultâneo o botão de iniciar/parar tempo suficiente.
	<ul style="list-style-type: none"> ■ Quando o ícone da chave de segurança “” piscar no ecrã LCD, a chave de segurança não foi inserida. 	<ul style="list-style-type: none"> ■ Insira a chave de segurança, pressione por completo o pedal do travão de estacionamento e, em simultâneo, pressione o botão de iniciar/parar tempo suficiente para ligar o ecrã LCD.
	<ul style="list-style-type: none"> ■ Quando o ícone do travão de estacionamento “” piscar no ecrã LCD, o pedal do travão de estacionamento não foi pressionado por completo. 	<ul style="list-style-type: none"> ■ Insira a chave de segurança, pressione por completo o pedal do travão de estacionamento e, em simultâneo, pressione o botão de iniciar/parar tempo suficiente para ligar o ecrã LCD.
O trator corta de um modo pouco uniforme, com uma diferença de altura significativa entre a parte da frente e a parte de trás.	<ul style="list-style-type: none"> ■ As lâminas estão rombas. 	<ul style="list-style-type: none"> ■ Afie ou substitua as lâminas de corte conforme indicado neste manual.
	<ul style="list-style-type: none"> ■ As lâminas estão dobradas. 	<ul style="list-style-type: none"> ■ Substitua a lâmina de corte dobrada seguindo as instruções na secção “Substituir as lâminas de corte”.
	<ul style="list-style-type: none"> ■ A plataforma não está nivelada, dando origem a uma altura diferente da lâmina de corte. 	<ul style="list-style-type: none"> ■ Nivele a plataforma seguindo as instruções na secção “Nivelar a plataforma”.
A altura de corte da relva não está alinhada com a altura suposta.	<ul style="list-style-type: none"> ■ As porcas da plataforma estão soltas no elo de suspensão. 	<ul style="list-style-type: none"> ■ Siga as instruções na secção “Nivelar a plataforma” para efetuar os ajustes corretos frente-trás da plataforma do trator, e aperte bem as porcas no elo de suspensão.
	<ul style="list-style-type: none"> ■ A plataforma está danificada ou seriamente gasta. 	<ul style="list-style-type: none"> ■ Siga as instruções na secção “Retirar a plataforma” para substituir a plataforma do trator.
O trator não aduba corretamente.	<ul style="list-style-type: none"> ■ Existe relva molhada colada na parte inferior. 	<ul style="list-style-type: none"> ■ Espere que a relva seque antes de cortar.
	<ul style="list-style-type: none"> ■ O trator foi configurado para cortar demasiada relva de uma vez. 	<ul style="list-style-type: none"> ■ Aumente a altura de corte da plataforma.
Vibração excessiva.	<ul style="list-style-type: none"> ■ As lâminas de corte estão soltas. 	<ul style="list-style-type: none"> ■ Aperte o parafuso da lâmina com o binário recomendado.
	<ul style="list-style-type: none"> ■ As lâminas estão dobradas. 	<ul style="list-style-type: none"> ■ Substitua a lâmina de corte dobrada seguindo as instruções na secção “Substituir as lâminas de corte”.
	<ul style="list-style-type: none"> ■ A plataforma não está nivelada. 	<ul style="list-style-type: none"> ■ Nivele a plataforma do trator seguindo as instruções na secção “Nivelar a plataforma”.
	<ul style="list-style-type: none"> ■ As porcas da plataforma estão soltas no elo de suspensão. 	<ul style="list-style-type: none"> ■ Aperte as porcas no elo de suspensão.
	<ul style="list-style-type: none"> ■ A plataforma foi configurada para cortar demasiada relva de uma vez. 	<ul style="list-style-type: none"> ■ Aumente a altura de corte da plataforma.
Há relva ou detritos que ficam no chão após o corte.	<ul style="list-style-type: none"> ■ A plataforma foi configurada para cortar demasiada relva de uma vez quando a relva está comprida. 	<ul style="list-style-type: none"> ■ Comece por uma altura de corte elevada e vá diminuindo até obter o resultado de corte desejado. Relva com mais de 152 mm deverá ser cortada duas vezes, com alturas de corte sucessivamente menores.
	<ul style="list-style-type: none"> ■ A relva está molhada. 	<ul style="list-style-type: none"> ■ Não corte quando a relva estiver molhada. Espere que a relva seque antes de cortar.
	<ul style="list-style-type: none"> ■ A velocidade de condução é elevada. 	<ul style="list-style-type: none"> ■ Abranda a velocidade de condução.
	<ul style="list-style-type: none"> ■ A velocidade da lâmina é baixa. 	<ul style="list-style-type: none"> ■ Aumente gradualmente a velocidade da lâmina.

PROBLEMA	CAUSA	SOLUÇÃO
Tempo de funcionamento curto com as baterias incluídas.	<ul style="list-style-type: none"> O terreno do relvado, o estado da relva, a altura de corte, velocidade de condução, velocidade da lâmina, etc., afetam imenso o tempo de funcionamento. 	<ul style="list-style-type: none"> Aumente a altura de corte da plataforma ou diminua a velocidade da lâmina para reduzir a carga de corte.
O trator não está a cortar a direito.	<ul style="list-style-type: none"> A pressão dos pneus esquerdo e direito é diferente. 	<ul style="list-style-type: none"> Verifique e ajuste a pressão do ar em ambos os pneus dianteiros e traseiros, de acordo com a recomendação na secção "CARACTERÍSTICAS TÉCNICAS" neste manual.
O pedal do travão de estacionamento não pode ser libertado da posição de travagem de estacionamento, ou demora muito tempo a voltar para trás.	<ul style="list-style-type: none"> A zona do pedal do travão de estacionamento está obstruída com resíduos. 	<ul style="list-style-type: none"> Verifique e retire os resíduos.
O trator não pode ser carregado através da porta de carregamento com o indicador do estado do trator aceso a vermelho.	<ul style="list-style-type: none"> A ficha do carregador não foi inserida corretamente na porta de carregamento do trator. 	<ul style="list-style-type: none"> Volte a ligar a ficha do carregador para ver se o trator pode ser carregado normalmente.
	<ul style="list-style-type: none"> As tomadas de parede não têm energia. 	<ul style="list-style-type: none"> Não é necessária qualquer ação. Espere até que a energia volte.
	<ul style="list-style-type: none"> Mau funcionamento do carregador. 	<ul style="list-style-type: none"> Contacte o centro de apoio ao cliente da EGO e peça para que o carregador seja inspecionado e/ou reparado, se necessário, por um técnico de reparação qualificado.
	<ul style="list-style-type: none"> A porta do carregador no trator está defeituosa. 	<ul style="list-style-type: none"> Contacte o centro de apoio ao cliente da EGO para proceder à reparação.
O tempo de carregamento através da porta de carregamento do trator é muito longo.	<ul style="list-style-type: none"> Usar um adaptador EGO ACA1000 para carregar requer muito tempo. 	<ul style="list-style-type: none"> Use o carregador da EGO CHV1600E para carregar diretamente o trator corta-relva elétrico.
As baterias não podem ser carregadas por completo através da porta de carregamento do trator.	<ul style="list-style-type: none"> Bug no firmware do trator ou da bateria, ou falha do carregador. 	<ul style="list-style-type: none"> Reinicie o carregador desligando-o e esperando vários minutos. Depois, volte a ligar a ficha à tomada. Se isto não resolver o problema contacte o serviço de apoio ao cliente da EGO.
O trator não se liga após a limpeza.	<ul style="list-style-type: none"> Limpeza inadequada, como entrada de água nos componentes elétricos, ecrã LCD, etc. 	<ol style="list-style-type: none"> Siga as instruções na secção "MANUTENÇÃO GERAL" para limpar corretamente o trator. Se o trator apanhar acidentalmente uma chuvada, deixe-o a secar, ou use ar comprimido para o secar.
A plataforma fica obstruída rapidamente.	<ul style="list-style-type: none"> A plataforma não foi limpa corretamente após uma utilização anterior. 	<ul style="list-style-type: none"> Limpe a plataforma após cada utilização, seguindo as indicações na secção "Usar a porta de lavagem para limpar a plataforma".
O trator perde facilmente tração quando sobe uma encosta.	<ul style="list-style-type: none"> Os pneus das rodas traseiras estão gastos. 	<ul style="list-style-type: none"> Contacte um centro de reparação local para substituir os pneus das rodas.
	<ul style="list-style-type: none"> Está a cortar a relva numa encosta muito inclinada. 	<ul style="list-style-type: none"> O trator não deverá ser usado para cortar a relva em encostas com uma inclinação superior à indicada.
Quando o trator pára numa encosta com o pedal do travão de estacionamento pressionado, pode começar a deslizar pela encosta abaixo.	<ul style="list-style-type: none"> Os componentes do travão estão excessivamente gastos devido a um funcionamento inadequado do trator. 	<ul style="list-style-type: none"> Contacte o centro de apoio ao cliente da EGO para efetuar a reparação.
Não sai água da porta de lavagem quando se tenta lavar a plataforma.	<ul style="list-style-type: none"> O acoplador rápido da porta de lavagem não está montado corretamente na porta de lavagem. 	<ul style="list-style-type: none"> Volte a fixar o acoplador rápido da porta de lavagem até ouvir um clique após pressionar firmemente. Se não funcionar, contacte o centro de apoio ao cliente da EGO.
É ouvido um som anormal quando se empurra manualmente o trator sem o ligar.	<ul style="list-style-type: none"> O som vem dos ímanes no interior do motor de condução. 	<ul style="list-style-type: none"> É normal e não requer qualquer ação.

PROBLEMA	CAUSA	SOLUÇÃO
O volante não pode ser rodado.	<ul style="list-style-type: none"> ▪ O conjunto do volante está obstruído com resíduos. 	<ul style="list-style-type: none"> ▪ Verifique e retire os resíduos.
O trator não vira para a direita/esquerda quando o volante é rodado.	<ul style="list-style-type: none"> ▪ Falha dos componentes eletrónicos ou mecânicos. 	<ul style="list-style-type: none"> ▪ Contacte o centro de apoio ao cliente da EGO para efetuar a reparação.
O trator não pára quando o pedal do acelerador é libertado.	<ul style="list-style-type: none"> ▪ O caminho de retorno do pedal do acelerador está obstruído com resíduos. 	<ul style="list-style-type: none"> ▪ Verifique e retire os resíduos.
	<ul style="list-style-type: none"> ▪ O botão CCS foi premido sem intenção durante a condução. O trator está no modo de cruise control. 	<ul style="list-style-type: none"> ▪ Verifique se o ícone CCS está aceso no ecrã LCD, e saia do CCS conforme necessário. Consulte o capítulo “USAR O CRUISE CONTROL (CCS)”.
A função CCS não pode ser ativada ou desligada.	<ul style="list-style-type: none"> ▪ O botão CCS não foi premido corretamente. 	<ul style="list-style-type: none"> ▪ Prima o botão CCS até que o ícone CCS se acenda no ecrã LCD, ou desapareça do ecrã LCD.
As rodas dianteiras do trator rodam com um ruído anormal.	<ul style="list-style-type: none"> ▪ As mangas do eixo das rodas dianteiras têm de ser lubrificadas. 	<ul style="list-style-type: none"> ▪ Retire as baterias e encha as portas de injeção com lubrificante até que este flua para fora da extremidade superior ou extremidade inferior das mangas do eixo das rodas dianteiras.

PT

REFERÊNCIA DO ESTADO DO TRATOR

PT

Visor LCD	Descrição	Indicador do estado do trator	Indicador sonoro	Causa	Solução
	Ícone do manómetro do combustível	Desligado	Não	Indica a capacidade de carga média das baterias inseridas.	Isto é normal. Não é necessária qualquer ação.
	Ícone do contador das horas de utilização	Desligado	Não	Apresenta o tempo de condução total do trator, em horas, e não pode ser reiniciado.	Isto é normal. Não é necessária qualquer ação.
	Ícone do indicador de carga	Desligado	Não	Indica a carga atual do trator.	Isto é normal. Não é necessária qualquer ação.
	O ícone das luzes LED acende no ecrã LCD.	Desligado	Não	Os faróis são ligados através do interruptor da luz LED.	Isto é normal. Não é necessária qualquer ação.
	O ícone Bluetooth é apresentado no ecrã LCD.	Desligado	Não	O trator está ligado a um dispositivo móvel por Bluetooth.	Isto é normal. Não é necessária qualquer ação.
	O ícone de CORTAR A RELVA DE MARCHA-ATRÁS DESLIGADO acende no ecrã LCD.	Desligado	Não	Indica que as lâminas não podem ser ligadas quando o trator se mover de marcha-atrás.	Isto é normal. Se necessário, ative as lâminas enquanto conduz o trator de marcha-atrás, seguindo a secção “ATIVAR AS LÂMINAS ENQUANTO CONDUZ DE MARCHA-ATRÁS” neste manual.
	O ícone de condução acende no ecrã LCD.	Desligado	Não	Indica que o trator pode ser conduzido ou está a ser conduzido para a frente.	Isto é normal. Coloque a alavanca de controlo direcional em “D”, ponto-morto ou “R”, de acordo com as suas necessidades.
	O ícone de marcha-atrás acende no ecrã LCD.	Desligado	Não	Indica que o trator pode ser conduzido ou está a ser conduzido marcha-atrás.	
	O ícone de condução e o ícone de marcha-atrás piscam alternadamente.	Desligado	Não	Indica que o trator não pode ser conduzido.	
	O ícone da chave de segurança acende.	Desligado	Não	A chave de segurança foi inserida corretamente.	Isto é normal. Não é necessária qualquer ação.
	O ícone da chave de segurança pisca quando o ecrã LCD apresenta o “manómetro do combustível”.	Desligado	Não	A chave de segurança não foi inserida. O conjunto da caixa do painel de controlo da chave está partido.	Insira a chave de segurança e pressione o pedal do travão de estacionamento e prima em simultâneo o botão de iniciar/parar durante mais de 3 segundos para ligar o trator. Contacte o centro de apoio ao cliente da EGO para efetuar a reparação.

Visor LCD	Descrição	Indicador do estado do trator	Indicador sonoro	Causa	Solução
	O ícone do travão de estacionamento pisca quando o ecrã LCD apresenta o “manómetro do combustível”.	Desligado	Não	O pedal do travão de estacionamento não foi pressionado.	Com a chave de segurança inserida, pressione por completo o pedal do travão de estacionamento e prima em simultâneo o botão de iniciar/parar durante mais de 3 segundos para ligar o trator.
	O ícone do travão de estacionamento pisca quando o ecrã LCD apresenta a interface do operador.	Desligado	Não	Pressione o pedal do acelerador antes de pressionar o pedal do travão de estacionamento, para que o indicador do trator acenda a verde.	Ligue corretamente o trator seguindo a secção “ LIGAR O TRATOR ”.
	O ícone do travão de estacionamento acende.	Desligado	Não	O pedal do travão de estacionamento está na posição de travagem de estacionamento.	Liberte-o antes de ligar o trator.
	O ícone do sensor do assento acende.	Desligado	Não	O operador deixou o assento, ou o sistema de bloqueio de segurança do assento está desativado.	Se o operador estiver sentado no assento, mas o ícone estiver ligado, pare imediatamente de usar o trator e verifique a ligação do assento. Se a ligação do assento ao trator estiver correta, contacte um técnico de reparação qualificado para proceder à reparação.
	O ícone do interruptor PTO começa a piscar.	Desligado	Não	O motor da lâmina foi interrompido durante o funcionamento, e o interruptor PTO não foi colocado na posição de desligado.	Antes de voltar a ligar o trator, pressione o interruptor PTO para baixo para desligar os motores da lâmina. Consulte a secção “ RESOLUÇÃO DE PROBLEMAS ” neste manual para obter referências.
	O ícone de um certo compartimento da bateria pisca.	Desligado	Não	Uma bateria durante a descarga teve um excesso de corrente.	Não é necessária qualquer ação. O trator pode continuar a funcionar se a taxa Ah combinada da bateria, excluindo a bateria com corrente excessiva, for igual ou superior a 15Ah. Quando a bateria com corrente excessiva voltar ao normal, volta a alimentar imediatamente o trator e o ícone desaparece.
	O ícone do compartimento vazio da bateria pisca.	Desligado	Não	A capacidade da bateria não é suficiente para permitir ao trator funcionar.	Para ligar este trator, use baterias EGO suficientes, seguindo as instruções na secção “ FIXAR/RETIRAR A BATERIA ” neste manual.

PT

Visor LCD	Descrição	Indicador do estado do trator	Indicador sonoro	Causa	Solução
	O ícone da temperatura e o compartimento exato ocupado pela bateria piscam em simultâneo.	Desligado	Não	A bateria no respetivo compartimento sobreaqueceu.	<ol style="list-style-type: none"> O trator pode continuar a funcionar se a taxa Ah combinada da bateria, excluindo a bateria sobreaquecida, for ao encontro dos requisitos. Quando a bateria sobreaquecida voltar à temperatura normal, volta a ligar o trator. Se a classificação Ah combinada da bateria não for ao encontro dos requisitos, o trator deixa de funcionar até que insira mais baterias nos compartimentos vazios da bateria. Reduza a carga do trator aumentando a altura de corte da plataforma ou diminuindo a velocidade de condução quando continuar o funcionamento.
	O ícone da temperatura pisca.	Desligado	Um som	<p>O trator sobreaqueceu.</p> <p>O trator está muito frio.</p>	<p>Reduza a carga do trator aumentando a altura de corte da plataforma ou diminuindo a velocidade da lâmina/ condução. Faça pausas e permita ao trator arrefecer.</p> <p>Não faça tentativas repetidas que possam danificar a máquina. Guarde sempre o trator e as baterias num ambiente quente. Volte a ligar o trator quando este aquecer.</p>
	O ícone de alerta pisca.	Pisca a vermelho	Um som	<p>O motor da lâmina está sobrecarregado.</p> <p>A saída de descarga lateral está obstruída com relva e detritos.</p> <p>Existe uma interferência entre a lâmina e a plataforma do trator.</p>	<p>Aumente a altura de corte da plataforma ou abrande a velocidade de condução para reduzir a carga do trator.</p> <p>Limpe a saída de descarga lateral após cada utilização.</p> <p>Contacte o serviço de apoio ao cliente da EGO.</p>

Visor LCD	Descrição	Indicador do estado do trator	Indicador sonoro	Causa	Solução
	Os ícones de cada compartimento ocupado pela bateria e ícone de alerta piscam a cada segundo em simultâneo no ecrã LCD.	Pisca a vermelho	Continua a emitir sons até que o interruptor PTO seja pressionado para baixo.	As baterias têm pouca energia e o trator está no modo limitado.	Pare de trabalhar e vá para a área de carregamento da bateria. NOTA: Quando o trator está no modo limitado, as lâminas passam automaticamente para uma velocidade de baixa rotação. Entretanto, o indicador sonoro emite vários sons. O operador deverá pressionar o interruptor PTO para baixo para desligar os motores da lâmina. O indicador sonoro pára de emitir sons quando as lâminas pararem.
	O ícone de cada compartimento ocupado pela bateria e o ícone de alerta piscam a cada meio segundo.	Pisca a vermelho	Continua a emitir sons	O motor da lâmina foi interrompido durante o funcionamento, e o interruptor PTO não foi colocado na posição de desligado.	O trator pára imediatamente de funcionar. O operador deverá transportar o trator para a área de carregamento da bateria para se proceder ao carregamento.
	O ícone CCS acende no ecrã LCD.	Verde contínuo	Não	O trator continua a avançar à velocidade definida sem precisar de pressionar o pedal do acelerador.	Isto é normal. Se for necessário, desligue a função CCS seguindo a secção " Parar (sair) o Cruise Control (CCS) " no manual.
	O ícone CCS pisca no ecrã LCD.	Desligado	Não	O CCS (sistema de cruise control) falhou. O pedal do travão de estacionamento é pressionado para parar o trator.	A função CCS não pode ser seleccionada quando o trator estiver a avançar com baixa velocidade ou em marcha-atrás. Após libertar o pedal do travão de estacionamento, prima o botão CCS e o ícone CCS acende no ecrã LCD. Ou saia da função CCS seguindo as instruções na secção " Parar (sair) o Cruise Control (CCS) ".
	O ícone de sem saco de recolha acende no ecrã LCD.	n/a	Não	Indica que o saco de recolha da relva não foi montado no trator, ou que não foi montado corretamente.	Monte corretamente o saco de recolha da relva no trator.
	O ícone de saco de recolha cheio pisca no ecrã LCD.	n/a	Não	Indica que o saco de recolha da relva está cheio.	Esvazie o saco de recolha da relva e volte a colocá-lo corretamente.
n/a	n/a	Desligado	Continua a emitir sons	O trator está estacionado numa encosta e o operador deixou o trator sem colocar o pedal do travão de estacionamento na posição de travagem de estacionamento.	Coloque o pedal do travão de estacionamento na posição de travagem de estacionamento. O ícone do travão de estacionamento acende e o indicador sonoro pára de emitir sons.

Visor LCD	Descrição	Indicador do estado do trator	Indicador sonoro	Causa	Solução
Desligado	Falha na porta de carregamento.	Permanece ligado a vermelho	n/a	Não existe energia.	Verifique se a tomada de parede está em bom estado e fornece uma alimentação de 220V-240V.
		Permanece ligado a vermelho	n/a	Falha eletrónica, como a porta de carregamento estar em circuito aberto, fusível fundido, etc.	Contacte o centro de apoio ao cliente da EGO para efetuar a reparação.

REFERÊNCIA DO CÓDIGO DE FALHA

Descrição	Código de falha no LCD	Indicador sonoro	Solução
O motor da lâmina esquerda não roda.	509	Um som	Inspeccione primeiro a lâmina. Se estiver solta, aperte o parafuso com o binário recomendado. Caso contrário, contacte o centro de apoio ao cliente da EGO para efetuar a reparação.
O motor da lâmina direita não roda.	609	Um som	

AVISO: Para quaisquer outros códigos de falhas que apareçam no ecrã LCD que possam indicar falha do PCBA, ligação solta, falha do motor primário, motores da lâmina, etc., retire todas as baterias e volte a inseri-las passados alguns minutos para reiniciar o trator. Se isto não resolver o problema, registe o código de falha e contacte o centro de apoio ao cliente da EGO para efetuar a reparação.

GARANTIA

POLÍTICA DE GARANTIA EGO

Visite o website egopowerplus.eu para os termos e condições completos da política de garantia da EGO.

LEGGERE TUTTE LE ISTRUZIONI!



LEGGERE IL MANUALE DI ISTRUZIONI

SIMBOLI DI SICUREZZA

Lo scopo dei simboli di sicurezza è attirare l'attenzione dell'operatore su possibili pericoli. I simboli di sicurezza e le relative spiegazioni richiedono la massima attenzione e comprensione da parte dell'operatore. Le avvertenze espresse dai simboli, da sole, non eliminano tutti i rischi. Le istruzioni e le avvertenze non sostituiscono le adeguate misure di prevenzione contro gli incidenti.

IT

⚠ AVVERTENZA! Assicurarsi di leggere e comprendere tutte le istruzioni di sicurezza contenute nel presente Manuale dell'operatore, inclusi tutti i simboli di avviso di sicurezza come «**PERICOLO**», «**AVVERTENZA**» e «**ATTENZIONE**» prima di utilizzare questo apparecchio. Il mancato rispetto di tutte le istruzioni elencate di seguito comporta il rischio di scossa elettrica, incendio e/o lesioni gravi.

SIGNIFICATO DEI SIMBOLI

Questa pagina illustra e descrive i simboli di sicurezza che possono comparire sulla macchina. Leggere, comprendere e seguire tutte le istruzioni sulla macchina prima di tentare di assemblarla e utilizzarla.

SIMBOLI DI SICUREZZA

	Avvertenza di sicurezza		Leggere e comprendere il manuale di istruzioni
	Protezione per gli occhi		Mantenere i dispositivi di sicurezza.
	PERICOLO! Terreno in pendenza		PERICOLO! Tenere le altre persone lontane dalle lame
	Non trasportare bambini.		Guardare indietro durante la retromarcia
	AVVERTENZA! Non usare questa macchina su pendenze superiori a 12°		PERICOLO! Rischio di oggetti lanciati
	ATTENZIONE – TENERE A DISTANZA MANI E PIEDI		Livello di potenza sonora garantito ai sensi della direttiva dell'Unione europea.
	Non salire.		Gli apparecchi elettrici non devono essere smaltiti insieme ai rifiuti domestici. Portarli presso un centro di riciclaggio autorizzato.
	Questo prodotto è conforme alle direttive europee applicabili		ATTENZIONE! Non fissare la fonte luminosa.
	Corrente continua		Questo apparecchio è conforme alle direttive britanniche applicabili.

kPa	Kilopascal
V	Volt
in	Pollice
Nm	Newton metro
°C	Grado Celsius
km/h	Chilometri all'ora

RPM	Rotazioni al minuto
m	Metro
cm	Centimetro
mm	Millimetro
kg	Chilogrammo
IPX4	Grado di protezione

IT

SIMBOLI IN QUESTO MANUALE



Informazione importante.



Arresto dell'azione indicata.

SPECIFICHE TECNICHE

Tensione	56 V	
Dimensioni del piatto di taglio	98 cm	
Dimensioni delle ruote	Anteriori	15 x 6 – 6 pollici
	Posteriori	18 x 7,5 – 8 pollici
Pressione degli pneumatici a freddo	Anteriori	96,5 kPa
	Posteriori	170 kPa
Velocità delle lame (giri/min)	Fino a 3000	
Velocità di guida max.	Avanti	Fino a 9,6 km/h
	Retromarcia	fino a 4,8 km/h
Regolazione dell'altezza di taglio (12 posizioni)	Da 25 a 100 mm	
Intervallo di temperature per la ricarica	Da 5°C a 40°C	
Temperatura di esercizio	Da 0°C a 40°C	
Temperatura di conservazione	Da -20°C a 70°C	
Peso (senza gruppo batteria)	220 kg	
Livello di potenza sonora misurato L_{WA}	97,7 dB(A) K=1,75 dB(A)	
Livello di pressione sonora a livello dell'orecchio dell'operatore L_{PA}	83,6 dB(A) K=3 dB(A)	
Livello di potenza sonora garantito L_{WA} (misurato conformemente a 2000/14/EC)	100 dB(A)	
Vibrazioni a_h	Mano	0,24 m/s ² K=1,5 m/s ²
	Corpo	0,18 m/s ² K=1,5 m/s ²

- Il valore totale di emissione delle vibrazioni dichiarato è stato misurato con un metodo di valutazione standard e può essere utilizzato per confrontare l'apparecchio con altri prodotti analoghi.
- Il valore totale di emissione delle vibrazioni dichiarato può essere utilizzato anche per una valutazione preliminare dei livelli di esposizione.

NOTA: Il valore di emissione delle vibrazioni durante l'uso effettivo dell'apparecchio può variare rispetto al valore totale dichiarato in base alla modalità di utilizzo dell'apparecchio. Per proteggersi, l'operatore deve indossare guanti e dispositivi di protezione per le orecchie in base alle condizioni di utilizzo effettive.

ACCESSORI RACCOMANDATI

AVVERTENZA! Utilizzare solo gli accessori elencati di seguito. L'uso di accessori che non soddisfano le specifiche dell'apparecchiatura originale può comportare prestazioni inadeguate e compromettere la sicurezza.

NOME PARTE	NUMERO MODELLO
Set di lame	AB3801TD
Accessorio per pacciamatura	AMP3800T

DESCRIZIONE

CONOSCERE IL TRATTORE (Fig. A1)

- Sedile
- Porta-bevande
- Ruota posteriore (ruota motrice) (x2)
- Connettore per il lavaggio (x2)
- Piatto di taglio
- Ruotini anti-scalpo (x2)
- Ruota anteriore (x2)
- Paraurti anteriore
- Pedale del freno di stazionamento
- Faro a LED (x2)
- Unità di alimentazione
- Scomparto porta-oggetti
- Leva di blocco freno di stazionamento
- Volant

15. Leva di regolazione della posizione del sedile
16. Contenitore dell'erba
17. Presa di ricarica
18. Presa USB
19. Cestino portaoggetti
20. Pedale dell'acceleratore
21. Leva di regolazione dell'altezza del piatto di taglio
22. Leva di ribaltamento
23. Impugnatura
24. Indicatore stato del trattore
25. Pulsante di regolazione della velocità delle lame
26. Pulsante FALCIATURA IN RETROMARCIA
27. Pulsante di avvio/arresto
28. Leva di controllo della direzione
29. Chiave di sicurezza
30. Interruttore PTO
31. Pulsante CCS
32. Pulsante luce LED / pulsante Bluetooth
33. Pulsante di regolazione della velocità di marcia
34. Pulsante di rilascio del coperchio dell'unità di alimentazione
35. Coperchio dell'unità di alimentazione
36. Unità di alimentazione con sei vani batteria
37. Pulsante di rilascio della batteria

DESCRIZIONE DEL DISPLAY (Fig. A2)

Consultare le sezioni "INDICAZIONI STATO DEL TRATTORE" e "CODICI ERRORE" per ulteriori informazioni sulle icone e sugli indicatori sullo schermo LCD.

1. Icona CCS
2. Indicatori stato dispositivi di sicurezza
3. Icona FALCIATURA IN RETROMARCIA DISATTIVA
4. Icona marcia in avanti
5. Icona retromarcia
6. Icona della chiave di sicurezza
7. Icona delle luci
8. Icona Bluetooth
9. Indicatore della velocità della lama
10. Conta-ore
11. Indicatore livello di carica
12. Icona della temperatura
13. Icona di avviso (sovraccarico/bassa potenza)
14. Icona vano batteria vuoto
15. Icona vano batteria occupato
16. Codice errore
17. Indicatore del carico
18. Indicatore della velocità di marcia
19. Icona contenitore dell'erba pieno
20. Icona contenitore dell'erba mancante

DISIMBALLAGGIO

NOTA: Non gettare i materiali di imballaggio finché il prodotto non è stato ispezionato con attenzione e collaudato. Se alcuni dei componenti elencati nella tabella "Contenuto dell'imballaggio" sono mancanti, contattare immediatamente il centro di assistenza EGO.

NOTA: Ad eccezione degli utensili elencati nella tabella "Contenuto dell'imballaggio", tutti gli altri utensili menzionati nel manuale sono raccomandati ma non forniti.

CONTENUTO DELL'IMBALLAGGIO (Fig. B)

B-1	Trattore tosaerba elettrico	B-2	Sedile
B-3	Volante	B-4	Protezione antipolvere
B-5	Chiavi combinate	B-6	Chiave a bussola da 18 mm
B-7	Bulloni flangiati (1 di scorta)	B-8	Dadi M8 (1 di scorta)
B-9	Dadi M12 (1 di scorta)	B-10	Rondelle (1 di scorta)
B-11	Chiave di sicurezza	B-12	Attacco rapido del connettore di lavaggio
B-13	Manuale di istruzioni	B-14	Contenitore dell'erba (con due set di bulloni e dadi per le staffe laterali)
B-15	Staffa a U	B-16	Staffa laterale
B-17	Leva di ribaltamento	B-18	Staffe di supporto sinistra e destra per contenitore dell'erba
B-19	Barra trasversale	B-20	Bullone M8X40
B-21	Bullone M8X25	B-22	Dado M8

ASSEMBLAGGIO

INSTALLAZIONE DEL VOLANTE (Fig. C1)

C1-1	Piantone dello sterzo	C1-2	Volante
C1-3	Barra centrale	C1-4	Rondella
C1-5	Dado	C1-6	Chiave a bussola da 18 mm
C1-7	Copertura antipolvere		

INSTALLAZIONE DEL SEDILE (Fig. C2)

⚠ AVVERTENZA! Non scollegare o manomettere il sistema di bloccaggio di sicurezza, per evitare che la il trattore si avvii accidentalmente, con il rischio di infortuni.

C2-1	Sedile	C2-2	Dado (M8)
C2-3	Bullone flangiato	C2-4	Presa
C2-5	Spina di alimentazione		

INSTALLAZIONE CONTENITORE DELL'ERBA (Fig. C3 - C8)

C3-1	Staffa a U	C3-2	Contenitore
C3-2	4 set di bulloni e dadi (M8 X 40)	C3-4	Chiave combinata
C4-1	Staffe laterali	C4-2	4 set di bulloni e dadi (M8 X 40)
C4-3	Chiave combinata	C5-1	Leva di ribaltamento
C5-2	1 set di bulloni e dadi (M8 X 40)	C5-3	Chiave combinata
C6-1	Staffe di supporto per contenitore dell'erba	C6-2	4 set di bulloni e dadi (M8 X 25)
C6-3	Chiavi combinate	C7-1	Barra trasversale
C7-2	2 dadi (M8)	C7-3	Chiave combinata

REGOLAZIONE
PRIMA DELLA REGOLAZIONE (Fig. D1)
REGOLAZIONE DELL'ALTEZZA DEL PIATTO DI TAGLIO (Fig. D2)
REGOLAZIONE DEI RUOTINI ANTI-SCALPO (Fig. D3 - D6)

D3-1	Ruotini anti-scalpo	D5-1	Dado
D5-2	Bullone ad alette	D6-1	Scala dell'altezza del piatto di taglio

REGOLAZIONE DEL SEDILE (Fig. D7)

D7-1	Leva di regolazione della posizione del sedile
------	--

UTILIZZO
OPERAZIONI PRELIMINARI (Fig. E1)
FUNZIONAMENTO DEL FRENO DI STAZIONAMENTO (Fig. E2)

E2-1	Posizione del freno di stazionamento	E2-2	Posizione di disinnesto
------	--------------------------------------	------	-------------------------

⚠ AVVERTENZA! IL PEDALE DEL FRENO DI STAZIONAMENTO NON PUÒ RALLENTARE LA VELOCITÀ DI MARCIA. NON TENTARE MAI DI PREMERE IL PEDALE DEL FRENO DI STAZIONAMENTO PER RALLENTARE LA VELOCITÀ DI MARCIA DURANTE LA GUIDA. QUANDO IL PEDALE DEL FRENO DI STAZIONAMENTO È PREMUTO MA NON È INSERITO IN POSIZIONE DI STAZIONAMENTO, IL FRENO ELETTRICO NON È PIÙ EFFICACE E IL TRATTORE SMETTE DI MUOVERSI SU UNA SUPERFICIE PIANA. MA SE CI SI TROVA SU UNA PENDENZA, IL TRATTORE PUÒ SCIVOLARE LUNGO IL PENDIO UNA VOLTA RILASCIATO IL PEDALE DEL FRENO DI STAZIONAMENTO.

⚠ AVVERTENZA! IN CASO DI EMERGENZA, TIRARE SU LA LEVA DI BLOCCO DEL FRENO DI STAZIONAMENTO E PREMERE IMMEDIATAMENTE IL PEDALE DEL FRENO DI STAZIONAMENTO PER INSERIRLO NELLA POSIZIONE DI STAZIONAMENTO. IL TRATTORE SI FERMERÀ IMMEDIATAMENTE E NON SCIVOLERÀ GIÙ DAL PENDIO.

INSTALLAZIONE / RIMOZIONE DEL GRUPPO BATTERIA (Fig. E3 - E6)

Per avviare il trattore sono necessarie batterie EGO da almeno 15 Ah in totale (2 X BA4200/BA4200T). Per le migliori prestazioni, si raccomanda di usare batterie EGO da almeno 30 Ah in totale.

E3-1	Pulsante di rilascio del coperchio	E5-1	Pulsante di rilascio della batteria
------	------------------------------------	------	-------------------------------------

RICARICA DEL TRATTORE

Usare esclusivamente i gruppi batteria e i caricabatteria raccomandati.

- Ricarica dei gruppi batteria separatamente (Fig. E7)

NOTA: consultare il manuale della batteria e quello del caricabatteria per le istruzioni dettagliate.

- Ricarica dei gruppi batteria tramite la presa di ricarica (Fig. E8 - E10)

E10-1	Protezione antipolvere	E10-2	Presa di ricarica
-------	------------------------	-------	-------------------

CONTROLLO DEL SISTEMA DI BLOCCAGGIO DI SICUREZZA

- Test del sistema di bloccaggio del piatto di taglio (Fig. E11 - E12)
- Test del sistema di trasmissione (Fig. E13 - E14)

Se il piatto di taglio e/o il sistema di trasmissione non si arrestano quando l'operatore si è alzato dal sedile, e non è possibile determinare la causa dopo aver verificato che il cavo del sedile è collegato correttamente, contattare immediatamente il servizio clienti EGO.

TECNOLOGIA DI CONNESSIONE

Per maggiori informazioni sulla gamma completa dei prodotti e dei servizi connessi, comprese le istruzioni di connessione, scansionare il seguente codice QR o visitare il sito web www.egopowerplus.eu/connect.


CONTROLLI PRIMA DELL'USO

- Assicurarsi che nell'area di lavoro non siano presenti bambini, altre persone e animali.
- Rimuovere dall'area di lavoro qualsiasi oggetto che potrebbe venire scagliato via dalle lame del trattore.
- Rimuovere eventuali detriti dal trattore.
- Verificare che i dispositivi di fissaggio siano saldi.
- Verificare che tutti i dispositivi di protezione siano presenti e funzionanti.
- Verificare che le ruote siano gonfie.
- Verificare che il freno funzioni correttamente.

- Regolare l'altezza del piatto di taglio nella posizione desiderata in base alle condizioni dell'erba e regolare i ruotini anti-scalpo di conseguenza.
- Regolare la posizione del sedile e assicurarsi che entrambi i pedali possano essere raggiunti.
- Controllare il livello di carica delle batterie.
- Controllare il sistema di bloccaggio di sicurezza.
- Assicurarsi che il contenitore dell'erba sia installato correttamente.

AVVIAMENTO DEL TRATTORE (Fig. E15 – Fig. E16)

⚠ AVVERTENZA! Evitare avvii, arresti e curve improvvisi e velocità elevate, in particolare quando si sta prendendo confidenza con l'utilizzo del trattore. Il trattore può sterzare rapidamente, causando perdita di controllo, con possibili danni e/o lesioni gravi.

⚠ AVVERTENZA! Prima di avviare il trattore, assicurarsi che le lame si disinnestino entro 5 secondi dopo aver premuto verso il basso l'interruttore PTO. Se le lame non si arrestano, non utilizzare il trattore e contattare immediatamente il servizio clienti EGO.

NOTA:

- Se il pedale del freno di stazionamento è impostato nella posizione di stazionamento, è sufficiente premere il pulsante di avvio/arresto per 3 secondi per illuminare lo schermo LCD, quindi rilasciare il pedale del freno di stazionamento prima di avviare il trattore.
- Le lame di taglio possono essere avviate in qualsiasi momento una volta che lo schermo LCD è completamente illuminato, a patto che la leva di controllo della direzione non sia tirata indietro nella direzione «R». Per accendere le lame mentre si guida il trattore in retromarcia, fare riferimento alla sezione «**ACCENSIONE DELLE LAME DURANTE LA GUIDA IN RETROMARCIA**» del presente manuale.

NOTA: Seguire la Fig. E17 per ottenere la velocità di guida più bassa fino a quando non si è completamente in grado di manovrare il trattore in tutte le situazioni.

Il trattore tosaerba elettrico non memorizza le impostazioni della velocità di guida e della velocità della lama. La velocità di guida e la velocità della lama tornano al livello 2 ogni volta che si spegne il trattore.

Regolazione della velocità di marcia (Fig. E17)

Regolazione della velocità delle lame (Fig. E18)

NOTA: Quando si è in «Livello 3», premere nuovamente il pulsante di regolazione della velocità della lama e la velocità della lama riprenderà la velocità precedente.

Luci a LED (Fig. E19)

- I fari a LED possono essere accesi e spenti tramite l'interruttore della luce a LED.

Presenza USB

NOTA: la presa USB fornisce una potenza di ricarica di 5 V CC con un assorbimento combinato fino a 1,5 A, ed è alimentata solo quando il trattore è acceso.

ARRESTO DEL TRATTORE (Fig. E20)

⚠ AVVERTENZA! Posizionare sempre il pedale del freno di stazionamento in posizione di stazionamento quando il trattore viene fermato in una zona in pendenza, altrimenti il trattore potrebbe scivolare lungo il pendio, con possibili gravi danni al trattore o lesioni personali!

NOTA: In una situazione in cui il pedale del freno di stazionamento è impostato sulla posizione di stazionamento e l'operatore è alzato dal sedile, ma i gruppi batteria non sono stati rimossi:

- Se lo schermo LCD viene spento, gli indicatori della batteria, il pulsante di avvio/arresto e il pulsante CCS rimarranno illuminati per 1 ora.
- Nel caso in cui lo schermo LCD mostri l' "indicatore livello di carica" o l'interfaccia operatore, il trattore si spegne automaticamente dopo 1 ora.

Modalità a efficienza ridotta

Quando la carica rimanente delle batterie diventa molto bassa, il trattore entra in modalità a efficienza ridotta per conservare l'energia necessaria per tornare all'area di ricarica.

- Le lame funzioneranno a bassa velocità, con una capacità di taglio dell'erba molto ridotta. Su erba alta e densa, le lame si arresteranno. Verrà emesso un segnale acustico intermittente.
- L'indicatore di stato del trattore lampeggerà in rosso ogni secondo, lampeggeranno sia l'icona di avviso (bassa potenza) che le icone di ciascun vano batteria occupato.

L'operatore deve:

- Premere l'interruttore PTO per spegnere il motore delle lame. Il segnale acustico si spegnerà all'arresto delle lame.
- Interrompere il lavoro e recarsi presso l'area di ricarica delle batterie il prima possibile. La distanza massima che il trattore può percorrere è 1000 metri.

Quando le batterie sono quasi scariche, sia l'icona di avviso (bassa potenza) che le icone di ciascun vano batteria occupato lampeggeranno ogni mezzo secondo. Il trattore smetterà immediatamente di funzionare. L'operatore dovrà trasportare il trattore fino all'area di ricarica per effettuare la ricarica.

NOTA: Se è necessario spingere il trattore manualmente, assicurarsi che i gruppi batteria siano scollegati dal trattore e che il pedale del freno di stazionamento venga rilasciato dalla posizione di stazionamento.

GUIDA DEL TRATTORE (Fig. E21)

⚠ PERICOLO! Rimanere ad almeno due larghezze di taglio di distanza da fossi, discese e specchi d'acqua. Le ruote anteriori possono ruotare quando il trattore è fermo, anche con il freno applicato, e causare la caduta del trattore oltre il bordo o nell'acqua, con il rischio di infortuni gravi o mortali.

AVVERTENZA! Non utilizzare il trattore su strade pubbliche.

AVVERTENZA! Se viene colpito un oggetto o un ostacolo, arrestare il motore e rimuovere i gruppi batteria. Rimuovere residui di erba, foglie, sporcizia e altri detriti accumulati; ispezionare accuratamente il trattore per assicurarsi che non sia danneggiato; in caso contrario, riparare il danno prima di riavviarlo e riprendere il lavoro.

NOTA:

IT

- Durante la guida, quando ci si alza dal sedile, l'indicatore di stato del trattore si spegne. Quando si riprende a guidare, sedersi sul sedile e premere a fondo il pedale del freno di stazionamento per far accendere di verde l'indicatore di stato del trattore.
- Quando si passa dalla marcia avanti alla retromarcia o viceversa durante la guida, spostare la leva di controllo della direzione direttamente da un'estremità all'altra senza fermarsi in posizione neutra, altrimenti il trattore potrebbe smettere di muoversi.


FUNZIONE CRUISE CONTROL (CCS)

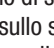

Per attivare (inserire) il Cruise Control (CCS) (Fig. E22)

NOTA: Il livello di velocità di guida visualizzato sullo schermo LCD potrebbe non rappresentare con precisione la velocità di guida effettiva del trattore quando si utilizza il cruise control. Premere il pulsante di regolazione della velocità per «aggiornare» il livello di velocità di guida sullo schermo LCD.

Per fermare (uscire) dal Cruise Control (CCS), si può scegliere uno dei tre modi seguenti.

- Premere a fondo il pedale dell'acceleratore e continuare a tenerlo premuto. La funzione CCS si interrompe e il trattore continua la marcia.
- Premere leggermente il pedale dell'acceleratore e rilasciarlo. Il trattore e la funzione CCS si arrestano.
- Premere il pulsante CCS. Il trattore e la funzione CCS si arrestano.

NOTA: Quando il CCS viene fermato, l'icona «» scompare dallo schermo LCD e viene emesso due volte un segnale acustico.

NOTA: se si preme il pedale del freno di stazionamento, il trattore si ferma ma l'icona «» lampeggia sullo schermo LCD per indicare che il CCS è in standby. In questo caso, rilasciare il pedale del freno di stazionamento, premere il pulsante CCS. Il trattore riprenderà la marcia automaticamente e l'icona «» smetterà di lampeggiare.

ACCENSIONE DELLE LAME DURANTE LA GUIDA IN RETROMARCIA

AVVISO: Si sconsiglia di usare la falciatura in retromarcia.


AVVERTENZA! Fare molta attenzione durante la falciatura in retromarcia. Assicurarsi sempre che nessuna persona entri nell'area di lavoro, specialmente bambini piccoli, prima e durante la falciatura in retromarcia.

AVVERTENZA! La visibilità degli operatori potrebbe essere limitata quando si utilizza il trattore con collegato il kit contenitore dell'erba. Usare la massima cautela e familiarizzare con l'ambiente circostante prima e durante la falciatura in retromarcia.


Per attivare (Inserire) la FALCIATURA IN RETROMARCIA (E23)

Per interrompere (disattivare) la FALCIATURA IN RETROMARCIA, si può scegliere uno dei quattro modi seguenti.

- Premere una volta il pulsante FALCIATURA IN RETROMARCIA.
- Alzarsi dal sedile del trattore.
- Premere il pulsante di avvio/arresto per 3 secondi per spegnere lo schermo LCD.
- Rimuovere la chiave di sicurezza o rimuovere le batterie per spegnere il trattore.

NOTA: Quando la FALCIATURA IN RETROMARCIA viene interrotta, l'icona «» si illumina sullo schermo LCD.

SVUOTAMENTO DEL CONTENITORE DELL'ERBA (Fig. E24)

NOTA: Quando l'icona «» lampeggia sullo schermo LCD, il contenitore dell'erba è pieno. Dopo aver svuotato il contenitore dell'erba, l'icona «» scompare dallo schermo LCD.

NOTA: Il contenitore dell'erba deve essere riposizionato correttamente sul trattore, altrimenti il trattore può essere azionato ma i motori delle lame non possono essere avviati.

MANUTENZIONE

AVVERTENZA! Indossare sempre occhiali di sicurezza con protezioni laterali, per evitare il rischio di oggetti proiettati verso gli occhi dell'operatore e altre lesioni gravi.

AVVERTENZA! Proteggere sempre le proprie mani indossando guanti robusti o avvolgendo i bordi di taglio con stracci o altri materiali durante le operazioni di manutenzione sulla lama del trattore. Rimuovere sempre la chiave di sicurezza e i gruppi batteria prima di effettuare la manutenzione o trasportare il trattore.

INTERVALLI DI MANUTENZIONE RACCOMANDATI

Intervallo di manutenzione	Procedura di manutenzione
Prima di ogni utilizzo o quotidianamente	<ul style="list-style-type: none"> ■ Controllare il sistema di bloccaggio di sicurezza. ■ Verificare che le ruote siano gonfie. ■ Ispezionare le lame. ■ Ispezionare l'intera macchina per assicurarsi che i componenti non siano danneggiati, mancanti o allentati (scivolo di scarico laterale, viti, dadi, bulloni, ecc.) e che tutti i dispositivi di sicurezza siano installati e funzionanti. ■ Controllare il pedale dell'acceleratore e assicurarsi che possa essere premuto e rilasciato correttamente. ■ Controllare il volante. Il volante deve opporre una lieve resistenza quando viene ruotato.

Dopo ogni utilizzo	<ul style="list-style-type: none"> ■ Pulizia del trattore e lavaggio del piatto di taglio.
Ogni 25 ore	<ul style="list-style-type: none"> ■ Controllare della pressione delle ruote.
Ogni 100 ore	<ul style="list-style-type: none"> ■ Controllare le ruote posteriori per verificare che tutti i dadi siano fissati alla coppia di serraggio raccomandata (101 - 103 Nm). ■ Controllare le ruote anteriori per verificare il dado sia fissato alla coppia di serraggio raccomandata (90 - 92 Nm).
Ogni 200 ore	<ul style="list-style-type: none"> ■ Controllare le ruote anteriori per verificare che ruotino liberamente.
Ogni sei mesi	<ul style="list-style-type: none"> ■ Controllare il pedale del freno di stazionamento. Rimuovere la batteria dal trattore, quindi sollevare la leva di blocco del freno di stazionamento e premere il pedale del freno di stazionamento nella posizione di stazionamento. Spingere manualmente il trattore in avanti per vedere se è possibile spostarlo senza che le ruote posteriori ruotino. Se il trattore si muove e nel frattempo le ruote posteriori ruotano, contattare il centro assistenza clienti EGO per la riparazione.
Prima dello stoccaggio	<ul style="list-style-type: none"> ■ Rimuovere le batterie dal trattore. ■ Rimuovere la chiave di sicurezza dal trattore. ■ Effettuare tutte le procedure di manutenzione elencate in precedenza e pulire accuratamente il trattore. ■ Ispezionare l'intera macchina per verificare che nessun elemento sia mancante e non siano presenti componenti danneggiati o allentati prima di stoccarla.
Annualmente	<ul style="list-style-type: none"> ■ Lubrificare i manicotti dell'albero delle ruote anteriori.

MANUTENZIONE GENERALE

Svuotamento dell'erba (Fig. F1 – F3)

Pulizia delle superfici esterne del trattore (Fig. F4)

Utilizzo del connettore per il lavaggio per pulire il piatto di taglio del trattore (Fig. F5 – F6)

F5-1	Connettore per il lavaggio	F5-2	Attacco rapido del connettore di lavaggio
F5-3	Tubo da giardinaggio		

NOTA: Al termine della pulizia, spegnere completamente il trattore e rimuovere il tubo da giardinaggio e l'attacco rapido.

MANUTENZIONE DEL PIATTO DI TAGLIO DEL TRATTORE E DELLE LAME

Preparazione (Fig. G1)

Rimozione del piatto di taglio (Fig. G2 – G3)

G2-1	Cavo del motore	G2-2	Coppiglia
G2-3	Barra di sospensione		

Sostituzione delle lame (Fig. G4 – G6)

G4-1	Stabilizzatore	G5-1	Bullone
G5-2	Rondella	G5-3	Lama
G5-4	Flangia esterna	G5-5	Albero motore

Livellamento del piatto di taglio

- Quando livellare (Fig. G7 / Fig. G8 / Fig. G9)**
- Prima del livellamento**
 - Controllare la pressione degli pneumatici a freddo (Fig. G10).
 - Controllare le lame. Rimuovere e sostituire le lame usurate, incrinare e/o piegate.
- Preparazione al livellamento (Fig. G11)**
- Procedura di livellamento**
 - **Regolazione laterale (Fig. G12)**
 - **Regolazione longitudinale (Fig. G13)**

CONSERVAZIONE E TRASPORTO

TRASPORTO DEL TRATTORE (Fig. H1 – H5)

H2-1	Rampe	H2-2	Cinghie
------	-------	------	---------

NOTA: Se necessario, fissare il trattore con cinghie o cavi per evitare che si sposti durante il trasporto.

CONSERVAZIONE (Fig. I1 – I2)

NOTA: Rimuovere e conservare i gruppi batteria separatamente, fare riferimento ai manuali corrispondenti.

Pulire e controllare il trattore prima di riportarlo, fare riferimento alle sezioni «MANUTENZIONE GENERALE» e «INTERVALLI DI MANUTENZIONE RACCOMANDATI».

Protezione dell'ambiente




Direttiva RAEE (Rifiuti di apparecchi elettrici ed elettronici). Non smaltire dispositivi elettrici, caricabatteria e batterie insieme ai rifiuti domestici! Portare questi prodotti presso un centro di riciclaggio autorizzato affinché vengano raccolti separatamente. Gli apparecchi elettrici devono essere portati presso un centro di riciclaggio ecocompatibile.

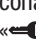

RISOLUZIONE DEI PROBLEMI

PROBLEMA	CAUSA	SOLUZIONE
Il trattore tosaerba elettrico non si avvia quando si preme il pedale dell'acceleratore.	<ul style="list-style-type: none"> ■ Gli Ah totali delle batterie inserite non corrispondono alle specifiche. 	<ul style="list-style-type: none"> ■ Per avviare questo trattore, utilizza un numero sufficiente di batterie EGO seguendo le istruzioni riportate nella sezione «INSTALLAZIONE / RIMOZIONE DEL GRUPPO BATTERIA» di questo manuale.
	<ul style="list-style-type: none"> ■ Il pedale del freno di stazionamento è in posizione di innesto. 	<ul style="list-style-type: none"> ■ Premere completamente il pedale del freno di stazionamento per rilasciarlo dalla posizione di stazionamento.
	<ul style="list-style-type: none"> ■ L'indicatore di stato del trattore non è acceso in verde. 	<ul style="list-style-type: none"> ■ Premere il pedale del freno di stazionamento e poi rilasciarlo. L'indicatore dello stato della macchina si accende in verde, a indicare che il trattore è pronto per l'uso.
	<ul style="list-style-type: none"> ■ L'operatore non è seduto sul sedile. 	<ul style="list-style-type: none"> ■ Il trattore può essere azionato solo quando l'operatore è correttamente seduto sul sedile.
	<ul style="list-style-type: none"> ■ Il sistema di blocco di sicurezza del sedile non è collegato correttamente. 	<ul style="list-style-type: none"> ■ Rimuovere le batterie dal trattore e sollevare lo schienale del sedile per assicurarsi che il connettore del cavo sia collegato correttamente alla presa sulla parte inferiore del sedile (vedere il capitolo «INSTALLAZIONE DEL SEDILE»). Seguire le istruzioni riportate in «AVVIO DEL TRATTORE» per riavviare il trattore e vedere se è possibile avviarlo. Se il malfunzionamento persiste, contattare il servizio clienti EGO per la riparazione.
	<ul style="list-style-type: none"> ■ Se il clima è estremamente freddo, il dispositivo di protezione contro le basse temperature si attiva e impedisce l'avvio della macchina. 	<ul style="list-style-type: none"> ■ Conservare sempre il trattore e le batterie in un ambiente caldo. Riavviare il trattore quando si è riscaldato. Non effettuare ripetuti tentativi se il clima è estremamente freddo per evitare di danneggiare la macchina.
	<ul style="list-style-type: none"> ■ La corsa di andata del pedale dell'acceleratore è ostruita da detriti. 	<ul style="list-style-type: none"> ■ Controllare e rimuovere eventuali detriti
	<ul style="list-style-type: none"> ■ Malfunzionamento meccanico o dei componenti elettronici del pedale dell'acceleratore. 	<ul style="list-style-type: none"> ■ Contattare il servizio clienti EGO per la riparazione.
<ul style="list-style-type: none"> ■ La leva di controllo della direzione è posizionata in posizione neutra. 	<ul style="list-style-type: none"> ■ Spingere/tirare la leva di controllo della direzione in posizione «D» o «R». 	

IT

PROBLEMA	CAUSA	SOLUZIONE
Il trattore tosaerba elettrico si arresta durante la guida.	<ul style="list-style-type: none"> Quando si passa da marcia avanti a retromarcia durante la guida, la leva di controllo della direzione rimane a lungo in posizione neutra. 	<ul style="list-style-type: none"> Rilasciate il pedale dell'acceleratore e premetelo nuovamente.
	<ul style="list-style-type: none"> Malfunzionamento dei componenti elettronici del pedale dell'acceleratore. 	<ul style="list-style-type: none"> Contattare il servizio clienti EGO per la riparazione.
	<ul style="list-style-type: none"> Il sistema di bloccaggio di sicurezza del sedile si è scollegato durante la guida su un terreno sconnesso. 	<ul style="list-style-type: none"> Rimuovere le batterie dal trattore e sollevare lo schienale del sedile per assicurarsi che il connettore del cavo sia collegato correttamente alla presa sulla parte inferiore del sedile (vedere il capitolo «INSTALLAZIONE DEL SEDILE»). Seguire le istruzioni riportate in «AVVIO DEL TRATTORE» per riavviare il trattore e vedere se è possibile avviarlo. Se il problema persiste, contattare il servizio clienti EGO per la riparazione.
	<ul style="list-style-type: none"> Il peso dell'operatore non è distribuito in modo uniforme sul sedile. Il peso dell'operatore sul sedile non deve essere inferiore a 20 kg per il corretto funzionamento del sistema di bloccaggio di sicurezza. 	<ol style="list-style-type: none"> Sedersi correttamente sul sedile, premere a fondo il pedale del freno di stazionamento e rilasciarlo, a questo punto il trattore è pronto per la guida. Scollegare e ricollegare di nuovo le batterie se necessario.
	<ul style="list-style-type: none"> Se il pedale del freno di stazionamento è premuto a sufficienza, ma non bloccato in posizione di stazionamento, il trattore si arresterà. 	<ul style="list-style-type: none"> Seguire le istruzioni riportate in «AVVIO DEL TRATTORE» per riavviare il trattore.
Il trattore tosaerba elettrico non riesce ad avviare le lame quando l'interruttore PTO è attivato.  L'icona dell'interruttore PTO lampeggia.	<ul style="list-style-type: none"> Gli Ah totali delle batterie inserite non corrispondono alle specifiche. 	<ul style="list-style-type: none"> Per avviare questo trattore, utilizza un numero sufficiente di batterie EGO seguendo le istruzioni riportate nella sezione «INSTALLAZIONE / RIMOZIONE DEL GRUPPO BATTERIA» di questo manuale.
	<ul style="list-style-type: none"> L'interruttore PTO non è stato premuto quando il trattore è stato spento l'ultima volta. 	<ul style="list-style-type: none"> Premere l'interruttore PTO e sollevarlo per riavviare il motore delle lame.
	<ul style="list-style-type: none"> Il motore è sovraccarico al momento dell'avvio delle lame; ciò attiva il dispositivo di auto-protezione del motore. 	<ul style="list-style-type: none"> Iniziare il taglio dell'erba con una bassa velocità delle lame e non aumentarla finché le lame non ruotano correttamente.
	<ul style="list-style-type: none"> Se il clima è estremamente freddo, il dispositivo di protezione contro le basse temperature si attiva e impedisce il movimento delle lame. 	<ul style="list-style-type: none"> Conservare sempre il trattore e le batterie in un ambiente caldo. Riavviare il trattore quando si è riscaldato. Non effettuare ripetuti tentativi se il clima è estremamente freddo per evitare di danneggiare la macchina.
	<ul style="list-style-type: none"> Il piatto di taglio del trattore è deformato e interferisce con il movimento delle lame 	<ul style="list-style-type: none"> Contattare il servizio clienti EGO per la riparazione.
	<ul style="list-style-type: none"> Il contenitore dell'erba non è installato correttamente. 	<ul style="list-style-type: none"> Installare correttamente il contenitore dell'erba seguendo la sezione «INSTALLAZIONE DEL CONTENITORE DELL'ERBA» nel manuale.

PROBLEMA	CAUSA	SOLUZIONE
La rotazione delle lame si arresta durante il taglio dell'erba.	<ul style="list-style-type: none"> Il trattore è sovraccarico. 	<ul style="list-style-type: none"> Aumentare l'altezza del piatto di taglio o diminuire la velocità di marcia per ridurre il carico sul trattore.
	<ul style="list-style-type: none"> Il piatto di taglio è ostruito da erba e detriti. 	<ul style="list-style-type: none"> Pulire il piatto di taglio e assicurarsi che le lame ruotino liberamente.
	<ul style="list-style-type: none"> Il trattore è surriscaldato. 	<ul style="list-style-type: none"> Aumentare l'altezza del piatto di taglio o diminuire la velocità di marcia e la velocità delle lame per ridurre il carico sul trattore, quindi attendere che il trattore si raffreddi.
	<ul style="list-style-type: none"> Uno o più gruppi batteria nell'unità di alimentazione del trattore si sono surriscaldati, causando il calo degli Ah totali delle batterie inserite al di sotto delle specifiche. 	<ol style="list-style-type: none"> Il trattore può continuare a funzionare se gli Ah totali dei gruppi batteria, escluso il gruppo batteria surriscaldato, corrispondono alle specifiche. Una volta che la batteria surriscaldata tornerà alla temperatura normale, si unirà immediatamente ad alimentare il trattore. Se gli Ah totali dei gruppi batteria non corrispondono alle specifiche, il trattore non si avvierà a meno che non vengano inseriti altri gruppi batteria nei vani vuoti dell'unità di alimentazione. Aumentare l'altezza del piatto di taglio o diminuire la velocità di marcia per ridurre il carico sul trattore quando riprende il lavoro.
	<ul style="list-style-type: none"> Il trattore è in modalità a efficienza ridotta. 	<ul style="list-style-type: none"> Quando il trattore è in modalità a efficienza ridotta, la velocità delle lame viene ridotta automaticamente. Interrompere il lavoro e guidare verso l'area di ricarica delle batterie il prima possibile.
	<ul style="list-style-type: none"> Il trattore ha urtato un oggetto estraneo; ciò ha attivato il dispositivo di auto-protezione del motore. 	<ul style="list-style-type: none"> Premere l'interruttore PTO e sollevarlo per riavviare il motore delle lame.
	<ul style="list-style-type: none"> Il trattore si muove in retromarcia con l'icona FALCIATURA IN RETROMARCIA DISATTIVA accesa sullo schermo LCD. 	<ul style="list-style-type: none"> Premere l'interruttore PTO verso il basso e riavviare i motori delle lame seguendo le istruzioni nella sezione «Per attivare (Inserire) la FALCIATURA IN RETROMARCIA».
Viene emesso un segnale acustico continuo.	<ul style="list-style-type: none"> Il trattore è in modalità a efficienza ridotta e le lame non sono state arrestate. 	<ul style="list-style-type: none"> Premere l'interruttore PTO per spegnere il motore delle lame. Il segnale acustico si spegnerà allo spegnimento del motore delle lame.
	<ul style="list-style-type: none"> Il trattore si è arrestato durante la guida su un terreno in pendenza e l'operatore si è alzato dal sedile senza aver portato il pedale del freno di stazionamento in posizione di stazionamento. 	<ul style="list-style-type: none"> Impostare il pedale del freno di stazionamento nella posizione di stazionamento prima di lasciare il trattore in pendenza.
Gli indicatori di alimentazione sui pacchi batteria sono ancora accesi quando il trattore è spento.	<ul style="list-style-type: none"> Quando il trattore viene spento su un terreno pianeggiante senza rimuovere i pacchi batteria, gli indicatori di alimentazione rimarranno accesi per un certo periodo. 	<ul style="list-style-type: none"> Non è necessario intervenire. Gli indicatori della batteria si spegneranno quando il trattore si spegnerà dopo un certo periodo. Fare riferimento alla sezione «ARRESTO DEL TRATTORE» per informazioni su tale periodo.
	<ul style="list-style-type: none"> Quando il trattore viene spento su un terreno in pendenza senza impostare il freno di stazionamento, gli indicatori di alimentazione sui gruppi batteria restano accesi fino all'esaurimento della carica della batteria. Simultaneamente, viene emesso un segnale acustico continuo. 	<ul style="list-style-type: none"> Posizionare il pedale del freno di stazionamento nella posizione di stazionamento prima di lasciare il trattore su un terreno in pendenza. In caso contrario, il trattore potrebbe scivolare lungo il pendio.

PROBLEMA	CAUSA	SOLUZIONE
Il display non si accende.	<ul style="list-style-type: none"> Il pulsante di avvio/arresto non è stato premuto per un tempo sufficiente. 	<ol style="list-style-type: none"> Se il pulsante di avvio/arresto viene premuto brevemente, sul display si illuminerà esclusivamente l'indicatore livello di carica delle batterie. Lo schermo LCD si accenderà dopo aver premuto a fondo il pedale del freno di stazionamento e aver premuto contemporaneamente il pulsante di avvio/arresto per un tempo sufficiente.
	<ul style="list-style-type: none"> Quando l'icona della chiave di sicurezza «» lampeggia sullo schermo LCD, la chiave di sicurezza non è inserita. 	<ul style="list-style-type: none"> Inserire la chiave di sicurezza, quindi premere a fondo il pedale del freno di stazionamento e premere contemporaneamente il pulsante di avvio/arresto per un tempo sufficiente ad accendere lo schermo LCD.
	<ul style="list-style-type: none"> Quando l'icona del freno di stazionamento «» lampeggia sullo schermo LCD, il pedale del freno di stazionamento non è premuto completamente. 	<ul style="list-style-type: none"> Inserire la chiave di sicurezza, quindi premere a fondo il pedale del freno di stazionamento e premere contemporaneamente il pulsante di avvio/arresto per un tempo sufficiente ad accendere lo schermo LCD.
Il trattore non taglia in modo uniforme, con una differenza significativa tra altezza anteriore e posteriore.	<ul style="list-style-type: none"> Le lame sono smussate. 	<ul style="list-style-type: none"> Affilare o sostituire le lame come indicato in questo manuale.
	<ul style="list-style-type: none"> Le lame sono piegate. 	<ul style="list-style-type: none"> Sostituire le lame piegate come indicato alla sezione "Sostituzione delle lame".
	<ul style="list-style-type: none"> Il piatto di taglio non è a livello, causando una diversa altezza delle lame dal terreno 	<ul style="list-style-type: none"> Livellare il piatto di taglio come indicato alla sezione "Livellamento del piatto di taglio".
L'altezza di taglio effettiva non corrisponde all'altezza di taglio impostata.	<ul style="list-style-type: none"> I dadi del piatto di taglio sono allentati sulla barra di sospensione. 	<ul style="list-style-type: none"> Seguire le istruzioni indicate alla sezione "Livellamento del piatto di taglio" per allineare il piatto di taglio in senso longitudinale e serrare saldamente i dadi sulla barra di sospensione.
	<ul style="list-style-type: none"> Il piatto di taglio è danneggiato o molto usurato. 	<ul style="list-style-type: none"> Seguire le istruzioni alla sezione "Rimozione del piatto di taglio" per sostituire il piatto di taglio del trattore.
Il trattore non esegue correttamente la pacciamatura.	<ul style="list-style-type: none"> Sulla parte inferiore del piatto di taglio rimangono incollati residui di erba bagnata. 	<ul style="list-style-type: none"> Attendere che l'erba si asciughi prima di tagliarla.
	<ul style="list-style-type: none"> Il trattore è regolato per tagliare troppa erba in una sola passata. 	<ul style="list-style-type: none"> Aumentare l'altezza del piatto di taglio.
Vibrazioni eccessive.	<ul style="list-style-type: none"> Le lame sono allentate. 	<ul style="list-style-type: none"> Serrare i bulloni delle lame alla coppia di serraggio raccomandata.
	<ul style="list-style-type: none"> Le lame sono piegate. 	<ul style="list-style-type: none"> Sostituire le lame piegate come indicato alla sezione "Sostituzione delle lame".
	<ul style="list-style-type: none"> Il piatto di taglio non è a livello. 	<ul style="list-style-type: none"> Livellare il piatto di taglio del trattore come indicato alla sezione "Livellamento del piatto di taglio".
	<ul style="list-style-type: none"> I dadi del piatto di taglio sono allentati sulla barra di sospensione. 	<ul style="list-style-type: none"> Serrare i dadi sulla barra di sospensione.
	<ul style="list-style-type: none"> Il piatto di taglio è regolato per tagliare troppa erba in una sola passata. 	<ul style="list-style-type: none"> Aumentare l'altezza del piatto di taglio.
Detriti ed erba rimangono sul terreno dopo il taglio.	<ul style="list-style-type: none"> Il piatto di taglio è regolato per tagliare troppa erba in una sola passata quando l'erba è alta. 	<ul style="list-style-type: none"> Iniziare con una maggiore altezza di taglio e ridurla gradualmente fino a ottenere il risultato desiderato. L'erba alta più di 152 mm deve essere tagliata in almeno due passate, ad altezze di taglio progressivamente minori.
	<ul style="list-style-type: none"> L'erba è bagnata. 	<ul style="list-style-type: none"> Non falciare quando l'erba è bagnata. Attendere che l'erba si asciughi.
	<ul style="list-style-type: none"> La velocità di marcia è elevata. 	<ul style="list-style-type: none"> Diminuire la velocità di marcia.
	<ul style="list-style-type: none"> La velocità delle lame è bassa. 	<ul style="list-style-type: none"> Aumentare gradualmente la velocità delle lame.

PROBLEMA	CAUSA	SOLUZIONE
Breve autonomia del trattore con batterie incluse.	<ul style="list-style-type: none"> Il tipo di terreno, le condizioni dell'erba, l'altezza di taglio impostata, la velocità di marcia, la velocità delle lame, ecc. influiscono significativamente sull'autonomia. 	<ul style="list-style-type: none"> Aumentare l'altezza del piatto di taglio e diminuire la velocità delle lame per ridurre il carico sul motore.
Il trattore non segue una linea retta.	<ul style="list-style-type: none"> Le pressioni dei pneumatici per le ruote di sinistra e di destra sono diverse. 	<ul style="list-style-type: none"> Controllare e regolare la pressione dell'aria nei pneumatici sia delle ruote anteriori che di quelle posteriori, secondo quanto indicato nella sezione "SPECIFICHE" di questo manuale.
Il pedale del freno di stazionamento non può essere tolto dalla posizione di stazionamento o ritorna lentamente in posizione di disinnesto.	<ul style="list-style-type: none"> Il percorso di marcia del pedale del freno di stazionamento è ostruito da detriti. 	<ul style="list-style-type: none"> Controllare e rimuovere i detriti.
Il trattore non si ricarica tramite la presa di ricarica e l'indicatore dello stato del trattore è costantemente illuminato di rosso.	<ul style="list-style-type: none"> La spina del caricabatterie non è inserita correttamente nella porta di ricarica del trattore. 	<ul style="list-style-type: none"> Ricollegare il connettore di ricarica per verificare se il trattore può essere ricaricato normalmente.
	<ul style="list-style-type: none"> La presa di corrente non è alimentata. 	<ul style="list-style-type: none"> Non è necessario intervenire. Attendere che la corrente elettrica venga ripristinata.
	<ul style="list-style-type: none"> Il caricabatteria non funziona correttamente. 	<ul style="list-style-type: none"> Contattare il centro assistenza clienti EGO e far ispezionare e/o riparare il caricabatterie, se necessario, da un tecnico dell'assistenza qualificato.
	<ul style="list-style-type: none"> La porta di ricarica del trattore è difettosa. 	<ul style="list-style-type: none"> Contattare il servizio assistenza clienti EGO per la riparazione.
Il tempo di ricarica tramite la presa di ricarica del trattore è troppo lungo.	<ul style="list-style-type: none"> La ricarica tramite l'adattatore EGO ACA1000 richiede un tempo maggiore. 	<ul style="list-style-type: none"> Usa il caricabatterie EGO CHV1600E per caricare direttamente il trattore tosaerba elettrico.
Le batterie non possono essere caricate completamente tramite la porta di ricarica del trattore.	<ul style="list-style-type: none"> Bug del firmware del trattore o del gruppo batteria o guasto del caricabatterie. 	<ul style="list-style-type: none"> Ripristinare il caricabatteria: scollegarlo dalla presa e attendere almeno alcuni minuti. Quindi ricollegarlo alla presa di corrente. Se il problema persiste, contattare il servizio clienti EGO.
Il trattore non si avvia dopo la pulizia.	<ul style="list-style-type: none"> Modalità di pulizia scorretta. Ad esempio, ha causato l'infiltrazione di acqua nei componenti elettrici, nel display, ecc. 	<ol style="list-style-type: none"> Seguire le istruzioni alla sezione "MANUTENZIONE GENERALE" per pulire correttamente il trattore. Se il trattore è stato esposto accidentalmente alla pioggia, asciugarlo lasciandolo all'aria o usando aria compressa.
Il piatto di taglio si ostruisce rapidamente.	<ul style="list-style-type: none"> Il piatto di taglio non è stato pulito correttamente dopo l'ultimo utilizzo. 	<ul style="list-style-type: none"> Pulire il piatto di taglio del trattore dopo ogni utilizzo come indicato alla sezione "Utilizzo del connettore per il lavaggio per pulire il piatto di taglio".
Il trattore perde facilmente aderenza sui terreni in salita.	<ul style="list-style-type: none"> Gli pneumatici delle ruote posteriori sono usurati. 	<ul style="list-style-type: none"> Sostituire gli pneumatici.
	<ul style="list-style-type: none"> Guida su un terreno in pendenza. 	<ul style="list-style-type: none"> Il trattore non deve essere utilizzato per falciare pendii più ripidi dei gradi consentiti.
Quando il trattore è fermo su un pendio con il pedale del freno di stazionamento inserito, il trattore può rotolare lungo il pendio.	<ul style="list-style-type: none"> I componenti del freno sono eccessivamente usurati a causa di un utilizzo improprio del trattore. 	<ul style="list-style-type: none"> Contattare il servizio clienti EGO per la riparazione.
Durante la pulizia del piatto di taglio, l'acqua non fuoriesce dal connettore per il lavaggio.	<ul style="list-style-type: none"> L'attacco rapido del connettore per il lavaggio non è fissato correttamente. 	<ul style="list-style-type: none"> Ricollegare spingendo con forza l'attacco rapido del connettore di lavaggio fino a udire un clic. Se il problema persiste, contattare il servizio clienti EGO.

PROBLEMA	CAUSA	SOLUZIONE
Rumore anomalo quando si spinge manualmente il trattore, a motore spento.	<ul style="list-style-type: none"> Il suono proviene dai magneti all'interno del motore trainante. 	<ul style="list-style-type: none"> È un fenomeno normale e non è necessario intervenire.
Il volante non ruota.	<ul style="list-style-type: none"> Il volante è ostruito da detriti. 	<ul style="list-style-type: none"> Controllare e rimuovere i detriti.
Il trattore non curva a sinistra/destra quando si gira il volante.	<ul style="list-style-type: none"> Malfunzionamento dei componenti meccanici o elettronici. 	<ul style="list-style-type: none"> Contattare il servizio clienti EGO per la riparazione.
Il trattore non si ferma quando si rilascia il pedale dell'acceleratore.	<ul style="list-style-type: none"> La corsa di ritorno del pedale dell'acceleratore è ostruita da detriti. 	<ul style="list-style-type: none"> Controllare e rimuovere i detriti.
	<ul style="list-style-type: none"> Il pulsante CCS è stato premuto accidentalmente durante la guida, Il trattore è in modalità cruise control 	<ul style="list-style-type: none"> Controllare se l'icona CCS è illuminata sul display; se necessario, disattivare la funzione CSS. Consultare la sezione "FUNZIONE CRUISE CONTROL (CCS)".
La funzione CSS non può essere attivata o disattivata.	<ul style="list-style-type: none"> Il pulsante CCS non è stato premuto correttamente. 	<ul style="list-style-type: none"> Premere il pulsante CCS finché l'icona CCS sul display non si illumina o si spegne.
Le ruote anteriori del trattore ruotano con un rumore anomalo	<ul style="list-style-type: none"> I manicotti dell'albero delle ruote anteriori richiedono lubrificazione. 	<ul style="list-style-type: none"> Rimuovere i gruppi batteria e quindi riempire i condotti di iniezione con grasso finché il grasso non fuoriesce dal bordo superiore o inferiore dei manicotti dell'albero delle ruote anteriori.

INDICAZIONI STATO DEL TRATTORE

Display LCD	Descrizione	Indicatore stato del trattore	Segnale acustico	Causa	Soluzione
	Icona indicatore livello di carica	Spento	No	Indica la capacità di carica media delle batterie inserite.	È normale. Non è necessario intervenire.
	Icona del contatore ore	Spento	No	Indica il tempo di funzionamento totale del trattore in ore. Non può essere azzerato.	È normale. Non è necessario intervenire.
	Icona dell'indicatore del carico	Spento	No	Indica il carico attuale del trattore.	È normale. Non è necessario intervenire.
	L'icona delle luci a LED si accende sullo schermo LCD.	Spento	No	I fari si accendono tramite l'interruttore delle luci a LED.	È normale. Non è necessario intervenire.
	L'icona Bluetooth si accende sullo schermo LCD	Spento	No	Il trattore è collegato a un dispositivo mobile tramite Bluetooth.	È normale. Non è necessario intervenire.
	L'icona FALCIATURA IN RETROMARCIA DISATTIVA si accende sullo schermo LCD.	Spento	No	Indica che le lame non possono essere accese quando il trattore si muove in retromarcia.	È normale. Se fosse necessario accendere le lame mentre si guida in retromarcia, seguire le istruzioni nella sezione « ACCENSIONE DELLE LAME DURANTE LA GUIDA IN RETROMARCIA » del manuale.
	L'icona marcia in avanti si accende sullo schermo LCD.	Spento	No	Indica che il trattore può essere guidato o sta andando in avanti.	È normale. Posizionare la leva di controllo della direzione in una delle posizioni: "D", neutra, o "R" in base alle necessità.
	L'icona della retromarcia si accende sullo schermo LCD.	Spento	No	Indica che il trattore può essere guidato o sta andando all'indietro.	
	L'icona marcia in avanti e l'icona retromarcia lampeggiano alternativamente	Spento	No	Indica che il trattore non può essere guidato.	
	L'icona della chiave di sicurezza si accende	Spento	No	La chiave di sicurezza è inserita correttamente.	È normale. Non è necessario intervenire.
	L'icona della chiave di sicurezza lampeggia quando sullo schermo LCD viene visualizzato l'indicatore del "livello di carica".	Spento	No	La chiave di sicurezza non è inserita.	Inserire la chiave di sicurezza, quindi premere a fondo il pedale del freno di stazionamento e premere contemporaneamente il pulsante di AVVIO/ARRESTO per più di 3 secondi per accendere il trattore.
				Il pannello di controllo della chiave è guasto.	Contattare il servizio clienti EGO per la riparazione.

Display LCD	Descrizione	Indicatore stato del trattore	Segnale acustico	Causa	Soluzione
	L'icona del freno di stazionamento lampeggia quando lo schermo LCD mostra l'indicatore del "livello di carica".	Spento	No	Il pedale del freno di stazionamento non è premuto.	Con la chiave di sicurezza inserita, premere a fondo il pedale del freno di stazionamento e premere contemporaneamente il pulsante di AVVIO/ARRESTO per più di 3 secondi per accendere il trattore.
	L'icona del freno di stazionamento lampeggia quando lo schermo LCD mostra l'interfaccia operatore.	Spento	No	Premere il pedale dell'acceleratore prima di premere il pedale del freno di stazionamento per far accendere in verde l'indicatore del trattore.	Avviare correttamente il trattore seguendo le indicazioni della sezione « AVVIAMENTO DEL TRATTORE ».
	L'icona del freno di stazionamento si accende	Spento	No	Il pedale del freno di stazionamento è inserito nella posizione di stazionamento.	Rilasciarlo prima di avviare il trattore.
	L'icona del sensore del sedile si accende	Spento	No	L'operatore si è alzato dal sedile o il sistema di bloccaggio di sicurezza del sedile è scollegato.	Se l'icona si accende quando l'operatore è seduto sul sedile, arrestare immediatamente il trattore e controllare il collegamento del sedile. Se il cavo che collega il sedile con il trattore è inserito correttamente, contattare un tecnico qualificato per la riparazione.
	L'icona dell'interruttore PTO lampeggia.	Spento	No	Il motore delle lame è stato spento e l'interruttore PTO non è stato premuto.	Prima di riavviare il trattore, premere in basso l'interruttore PTO per spegnere il motore delle lame. Consultare la sezione " RISOLUZIONE DEI PROBLEMI " per maggiori informazioni.
	L'icona di un determinato vano batteria lampeggia.	Spento	No	Sovraccorrente in un gruppo batteria durante la scarica.	Non è necessario intervenire. Il trattore può continuare a funzionare se gli Ah totali dei gruppi batteria, escluso il gruppo batteria con sovraccorrente, sono almeno pari a 15 Ah. Quando il gruppo batteria con sovraccorrente ritorna normale, torna immediatamente ad alimentare il trattore e l'icona si spegnerà.
	L'icona di un vano batteria vuoto lampeggia.	Spento	No	La capacità della batteria non è sufficiente per consentire al trattore di funzionare.	Per avviare questo trattore, utilizza un numero sufficiente di batterie EGO seguendo le istruzioni riportate nella sezione « INSTALLAZIONE / RIMOZIONE DEL GRUPPO BATTERIA » di questo manuale.

Display LCD	Descrizione	Indicatore stato del trattore	Segnale acustico	Causa	Soluzione
	L'icona della temperatura lampeggia e l'icona di un vano batteria occupato lampeggia.	Spento	No	Il gruppo batteria nel vano corrispondente si è surriscaldato.	<ol style="list-style-type: none"> 1. Il trattore può continuare a funzionare se gli Ah totali dei gruppi batteria, escluso il gruppo batteria surriscaldato, corrispondono alle specifiche. Una volta che la batteria surriscaldata tornerà alla temperatura normale, si unirà immediatamente ad alimentare il trattore. 2. Se gli Ah totali dei gruppi batteria non corrispondono alle specifiche, il trattore non si avvierà a meno che non vengano inseriti altri gruppi batteria nei vani vuoti dell'unità di alimentazione. 3. Aumentare l'altezza del piatto di taglio o diminuire la velocità di marcia per ridurre il carico sul trattore quando riprende il lavoro.
	L'icona della temperatura lampeggia.	Spento	Uno	Il trattore è surriscaldato.	Ridurre il carico sul trattore aumentando l'altezza del piatto di taglio o diminuendo la velocità di marcia / delle lame. Fare una pausa e lasciare raffreddare il trattore.
	L'icona della temperatura lampeggia.	Spento	Uno	Il trattore è troppo freddo.	Non effettuare ripetuti tentativi per evitare di danneggiare la macchina. Conservare sempre il trattore e le batterie in un ambiente caldo. Riavviare il trattore quando si è riscaldato.
	L'icona di avviso lampeggia	Rosso lampeggiante	Uno	Il motore delle lame è sovraccarico.	Aumentare l'altezza del piatto di taglio o diminuire la velocità di marcia per ridurre il carico sul trattore.
	L'icona di avviso lampeggia	Rosso lampeggiante	Uno	Lo scivolo di scarico laterale è ostruito da erba e detriti.	Pulire lo scivolo di scarico laterale dopo ogni utilizzo.
	L'icona di avviso lampeggia	Rosso lampeggiante	Uno	C'è un'interferenza tra la lama e il piatto di taglio del trattore.	Contattare il servizio clienti EGO.
	Le icone di ciascun vano batteria occupato e l'icona di avviso lampeggiano ogni 1 secondo contemporaneamente sullo schermo LCD.	Rosso lampeggiante	Continuo fino alla pressione dell'interruttore PTO.	La carica dei gruppi batteria è bassa e il trattore è in modalità a efficienza ridotta.	<p>Interrompere il lavoro e recarsi presso l'area di ricarica delle batterie.</p> <p>NOTA: Quando il trattore è in modalità a efficienza ridotta, la velocità delle lame viene ridotta automaticamente e viene emesso un segnale acustico continuo. Premere verso il basso l'interruttore PTO per spegnere il motore delle lame. Il segnale acustico si interromperà allo spegnimento del motore delle lame.</p>

Display LCD	Descrizione	Indicatore stato del trattore	Segnale acustico	Causa	Soluzione
	L'icona di ciascun vano batteria occupato e l'icona di avviso lampeggiano ogni mezzo secondo.	Rosso lampeggiante	Continuo	Il motore delle lame è stato spento e l'interruttore PTO non è stato premuto.	Il trattore smetterà immediatamente di funzionare. L'operatore deve trasportare il trattore nell'area di ricarica della batteria per effettuare la ricarica.
	L'icona CCS si illumina sullo schermo LCD	Verde fisso	No	Il trattore continua ad avanzare alla velocità impostata, senza dover premere il pedale dell'acceleratore.	Questo è normale. Se necessario, disattivate la funzione CCS seguendo le istruzioni nella sezione « Per fermare (uscire) dal Cruise Control (CCS) » del manuale.
	L'icona CCS lampeggia sullo schermo LCD.	Spento	No	<p>Malfunzionamento della funzione CCS (cruise control).</p> <p>Il pedale del freno di stazionamento viene premuto per fermare il trattore.</p>	<p>La funzione CSS non può essere attivata quando il trattore avanza a velocità molto bassa o sta andando in retromarcia.</p> <p>Dopo aver rilasciato il pedale del freno di stazionamento, premere il pulsante CCS e l'icona CCS si illuminerà sul display LCD oppure uscire dalla funzione CCS seguendo le istruzioni nella sezione «Per fermare (uscire) dal Cruise Control (CCS)».</p>
	L'icona contenitore dell'erba mancante si accende sullo schermo LCD	n/a	No	Indica che il contenitore dell'erba non è montato sul trattore o non è montato correttamente.	Montare correttamente il contenitore dell'erba sul trattore.
	L'icona contenitore dell'erba pieno lampeggia sullo schermo LCD	n/a	No	Indica che il contenitore dell'erba è pieno.	Svuotare il contenitore dell'erba e riposizionarlo correttamente.
n/a	n/a	Spento	Continuo	Il trattore è parcheggiato su un pendio e l'operatore lascia il trattore senza inserire il pedale del freno di stazionamento nella posizione di stazionamento.	Impostare il pedale del freno di stazionamento nella posizione di stazionamento. L'icona del freno di stazionamento si illuminerà e l'indicatore sonoro smetterà di emettere un segnale acustico.
Spento	Malfunzionamento della presa di ricarica.	Rosso fisso	n/a	Alimentazione assente.	Controllare che la presa di corrente sia alimentata a 220 - 240 V.
		Rosso fisso	n/a	Malfunzionamento elettronico; ad esempio, il circuito della presa di ricarica è aperto, il fusibile è saltato, ecc.	Contattare il servizio clienti EGO per la riparazione.

CODICI ERRORE

Descrizione	Codice errore sul display	Segnale acustico	Soluzione
Il motore della lama sinistra non ruota.	509	Uno	Per prima cosa, ispezionare la lama. Se è allentata, serrare il bullone alla coppia raccomandata. Altrimenti, contattare il servizio clienti EGO per la riparazione.
Il motore della lama destra non ruota.	609	Uno	

IT **NOTA:** Se sul display LCD appaiono altri codici di errore, che possono indicare ad esempio un guasto del circuito stampato, una connessione allentata, un malfunzionamento del motore trainante o dei motori delle lame, ecc., rimuovere tutti i gruppi batteria, attendere qualche minuto e poi reinserirli per riavviare il trattore. Se il problema persiste, annotare il codice errore e contattare il servizio clienti EGO per la riparazione.

GARANZIA

CONDIZIONI DELLA GARANZIA EGO

Visitare il sito web egopowerplus.eu per consultare le condizioni complete della garanzia EGO.

LEES ALLE INSTRUCTIES!



LEES DE GEBRUIKSAANWIJZING

VEILIGHEIDSSYMBOL

Het doel van de veiligheidssymbolen is om u te wijzen op mogelijke gevaren. Besteed daarom voldoende aandacht hieraan en begrijp de veiligheidssymbolen en bijbehorende uitleg. De symboolwaarschuwingen op zich elimineren geen enkel gevaar. De verstrekte instructies en waarschuwingen gelden niet als vervanging voor gepaste voorzorgsmaatregelen tegen ongevallen.

⚠ WAARSCHUWING: Lees en begrijp alle veiligheidsinstructies die in deze gebruiksaanwijzing staan vermeld, waaronder alle veiligheidssymbolen zoals 'GEVAAR', 'WAARSCHUWING', en 'OPGELET' voordat u dit gereedschap in gebruik neemt. Het negeren van onderstaande instructies kan leiden tot een elektrische schok, brand en/of ernstig persoonlijk letsel.

NL

BETEKENIS VAN DE SYMBOLEN

Deze pagina toont en beschrijft alle veiligheidssymbolen die zich op dit product kunnen bevinden. Lees, begrijp en volg alle instructies op de machine voordat u deze in elkaar zet en gebruikt.

VEILIGHEIDSSYMBOLEN

	Veiligheidswaarschuwing		Lees en begrijp de gebruiksaanwijzing
	Oogbescherming		Onderhoud van veiligheidsvoorzieningen
	GEVAAR - gevaar voor steile hellingen		GEVAAR - houd omstanders uit de buurt van de messen
	Vervoer nooit kinderen met het apparaat		Kijk achterom terwijl u achteruit rijdt
	WAARSCHUWING - Gebruik dit apparaat niet op hellingen van meer dan 12°		GEVAAR - Rondvliegende voorwerpen
	WAARSCHUWING - HOUD HANDEN EN VOETEN UIT DE BUURT		Gewaarborgd geluidsvermogensniveau. In overeenstemming met de richtlijnen van de Europese Unie.
	Ga niet op de zitmaaier staan		Gooi elektrisch afval niet via het huishoudelijk afval weg. Breng het naar een geautoriseerd recyclingbedrijf.
	Dit product is in overeenstemming met de geldende EG-richtlijnen		VOORZICHTIG – Kijk niet rechtstreeks in de verlichting
	Gelijkstroom		Dit product is in overeenstemming met de toepasselijke richtlijnen van het VK.

kPa	Kilopascal	RPM	Toeren per minuut
V	Volt	m	Meter
in	Inch	cm	Centimeter
Nm	Newtonmeter	mm	Millimeter
°C	Celsius	kg	Kilogram
km/h	Kilometer per uur	IPX4	Beschermingsgraad bij binnendringen

NL SYMBOLEN IN DEZE HANDLEIDING



De informatie moet in acht worden genomen



De aangegeven actie stopt

SPECIFICATIES

Spanning	56V	
Afmetingen dek	98 cm	
Wielmaat	Voorkant	15 x 6 – 6 inch
	Achterkant	18 x 7,5 – 8 inch
Bandenspanning in koude toestand	Voorkant	96,5 kPa
	Achterkant	170 kPa
Snelheid van het mes (TPM)	Tot 3000	
Maximale rijsnelheid	Vooruit	tot 9,6 km/u
	Achteruit	tot 4,8 km/u
Maaihoogte-instelling (12 posities)	25 – 100 mm	
Oplaadtemperatuurbereik	5°C – 40°C	
Bedrijfstemperatuur	0°C – 40°C	
Opslagtemperatuur	-20°C – 70°C	
Gewicht (zonder accupack)	220 kg	
Gemeten geluidsvermogensniveau L_{WA}	97,7 dB(A) K=1,75 dB(A)	
Geluidsdruk niveau aan het oor van de bediener L_{PA}	83,6 dB(A) K=3 dB(A)	
Gegarandeerd geluidsvermogensniveau L_{WA} (gemeten volgens 2000/14/EG)	100 dB(A)	
Vibratie a_h	Hand	0,24 m/s ² K=1,5 m/s ²
	Behuizing	0,18 m/s ² K=1,5 m/s ²

- De opgegeven totale vibratiewaarde is gemeten volgens de standaard testmethode en kan worden gebruikt om het apparaat met een ander apparaat te vergelijken.
- De opgegeven totale vibratiewaarde kan tevens worden gebruikt in een voorafgaande beoordeling op blootstelling.

OPMERKING: De trillingsemisatie tijdens het werkelijk gebruik van het elektrisch gereedschap kan verschillen van de opgegeven totale waarde; Om de gebruiker te beschermen dient de gebruiker tijdens het gebruik handschoenen en gehoorbescherming te dragen.

AANBEVOLEN ACCESSOIRES

WAARSCHUWING: Gebruik alleen de hieronder vermelde accessoires. Het gebruik van accessoires die niet aan de specificaties van de originele uitrusting voldoen kunnen verkeerde prestaties leveren en de veiligheid in gevaar brengen.

NAAM VAN HET ONDERDEEL	MODELNUMMER
Messenset	AB3801TD
Mulch-stekker	AMP3800T

BESCHRIJVING

KEN UW ZITMAAIER (Afb. A1)

- Stoel
- Bekerhouders
- Achterwiel (aandrijf wiel) (x2)
- Waspoort (x2)
- Dek
- Antiscalpwiel (x2)
- Voorwiel (x2)
- Voorbumper
- Parkeerrempeedaal
- LED-koplamp (x2)
- Voedingseenheid
- Opbergvak
- Vergrendelingshendel voor parkeerrem
- Stuur
- Hendel voor het instellen van de stoelhoogte

16. Grasopvangbak
17. Laadpoort
18. USB-poort
19. Opbergmand
20. Gaspedaal
21. Hendel voor het instellen van de dekhoogte
22. Kantelhendel
23. Handgreep
24. Statusindicator van zitmaaier
25. Schakelaar voor het aanpassen van de snelheid van de messen
26. Achteruit maaien-knop
27. Start/stop-knop
28. Richtingsbedieningshendel
29. Veiligheidssleutel
30. PTO-schakelaar
31. CCS-knop
32. LED-lichtknop/Bluetooth-knop
33. Instelknop voor de rijsnelheid
34. Voedingseenheidafdekking ontgrendelingsknop
35. Voedingseenheidafdekking
36. Voedingseenheid met zes accucompartimenten
37. Accuvrijgaveknop

KEN HET LCD-SCHERM (Afb. A2)

Zie de sectie 'ZITMAAIER STATUSREFERENTIE' en 'STORINGSCODE' voor meer informatie over pictogrammen en indicatoren op het lcd-scherm.

1. CCS-pictogram
2. Veiligheidssysteem statusindicator
3. Achteruit maaien uit-pictogram
4. Rijden-pictogram
5. Achteruit-pictogram
6. Veiligheidssleutel-pictogram
7. LED-verlichtingspictogram
8. Bluetooth-pictogram
9. Messnelheidsindicator
10. Uurmeter
11. Vermogensmeter
12. Temperatuurpictogram
13. Waarschuwingpictogram (overbelasting/laag vermogen)
14. Accuvak leeg-pictogram
15. Accuvak bezet-pictogram
16. Foutcode indicator
17. Belastingindicator
18. Snelheidsindicator tijdens het rijden
19. Volle opvangbak-pictogram
20. Geen opvangbak-pictogram

UITPAKKEN

OPMERKING: Bewaar het verpakkingsmateriaal totdat u het apparaat grondig hebt gecontroleerd en het naar tevredenheid werkt. Als er onderdelen ontbreken, neem dan alstublieft contact op met de klantenservice van EGO.

MEDEDELING: Behalve de onderdelen in de onderstaande paklijst, zijn alle andere vermelde gereedschappen in de gebruiksaanwijzing slechts een aanbeveling en niet meegeleverd.

PAKLIJST (Afb. B)

B-1	Elektrische zitmaaier	B-2	Stoel
B-3	Stuur	B-4	Stofafdekking
B-5	Combinatiesleutels	B-6	Dopsleutel 18 mm
B-7	Stapbouten (1 als reserve)	B-8	M8 moeren (1 als reserve)
B-9	M12 moeren (1 als reserve)	B-10	Sluitringen (1 voor back-up)
B-11	Veiligheidssleutel	B-12	Snelkoppeling voor waspoort
B-13	Gebruiksaanwijzing	B-14	Grasopvangbak (met twee sets bouten en moeren voor de zijbeugels)
B-15	U-vormige beugel	B-16	Zijbeugel
B-17	Kantelhendel	B-18	Linker en rechter steunbeugel voor opvangbak
B-19	Dwarsbalk	B-20	M8X40 bout
B-21	M8X25 bout	B-22	M8 moer

NL

MONTAGE

HET STUUR INSTALLEREN (Afb. C1)

C1-1	Stuurkolom	C1-2	Stuur
C1-3	Middenlijn	C1-4	Sluitring
C1-5	Moer	C1-6	Dopsleutel 18 mm
C1-7	Stofkap		

DE STOEL INSTALLEREN (Afb. C2)

⚠ WAARSCHUWING: Het veiligheidsvergrendelingsstelsel mag niet worden losgekoppeld of overbrugd. Als u dit doet, kan de zitmaaier hierdoor onverwacht reageren, wat persoonlijk letsel tot gevolg heeft.

C2-1	Stoel	C2-2	Moer (M8)
C2-3	Stapbout	C2-4	Aansluiting
C2-5	Stekker		

DE GRASOPVANGBAK INSTALLEREN (Afb. C3 – C8)

C3-1	U-vormige beugel	C3-2	Opvangbak
C3-2	4 sets bouten en moeren (M8 X 40)	C3-4	Combinatiesleutel
C4-1	Zijbeugels	C4-2	4 sets bouten en moeren (M8 X 40)
C4-3	Combinatiesleutel	C5-1	Kantelhendel
C5-2	1 set bouten en moeren (M8 X 40)	C5-3	Combinatiesleutel
C6-1	Steunbeugels voor opvangbak	C6-2	4 sets bouten en moeren (M8 X 25)
C6-3	Combinatiesleutels	C7-1	Dwarsbalk
C7-2	2 moeren (M8)	C7-3	Combinatiesleutel

NL

INSTELLING

VOOR DE AFSTELLING (Afb. D1)

AANPASSEN VAN DE HOOGTE VAN HET MAAIDEK (Afb. D2)

AANPASSEN VAN DE ANTISCALPWIELLEN (Afb. D3 – D6)

D3-1	Antiscalpwielen	D5-1	Moer
D5-2	Spanbout	D6-1	Dekhoogtelabel

DE STOEL AANPASSEN (Afb. D7)

D7-1	Hendel voor het instellen van de stoelhoogte
------	--

GEBRUIK

VOOR GEBRUIK (Afb. E1)

AFSTELLEN VAN DE PARKEERREM (Afb. E2)

E2-1	Parkeerrem-positie	E2-2	Ontgrendelde positie
------	--------------------	------	----------------------

⚠ WAARSCHUWING! HET PARKEERREMPEDAAL KAN DE RIJSNELHEID NIET VERLAGEN. PROBEER TIJDENS HET RIJDEN NOOIT HET PARKEERREMPEDAAL IN TE TRAPPEN OM DE RIJSNELHEID TE VERLAGEN. WANNEER HET PARKEERREMPEDAAL WORDT INGETRAPT MAAR NIET IN DE PARKEERREMSTAND IS GEACTIVEERD, WERKT DE ELEKTRISCHE REM NIET LANGER EN STOPT DE ZITMACHINE MET RIJDEN OP EEN VLAKKE ONDERGROND. ALS DIT ECHTER OP EEN HELLING GEBEURT, KAN DE ZITMAAIER VAN DE HELLING AFGLIJDEN ZODRA HET PARKEERREMPEDAAL WORDT LOSGELATEN.

⚠ WAARSCHUWING: TREK DE VERGREDELINGSHENDEL VAN DE PARKEERREM OMHOOG EN DRUK ONMIDDELIJK OP HET PARKEERREMPEDAAL OM DEZE IN DE PARKEERREMSTAND TE ZETTEN. IN GEVAL VAN NOOD STOPT DE ZITMAAIER ONMIDDELIJK EN GLIJDT DEZE NIET VAN DE HELLING AF.

HET ACCUPACK INSTALLEREN/VERWIJDEREN (Afb. E3 – E6)

Om deze zitmaaier te starten, vereisen de EGO-accu's een totale lading van 15 Ah (2x BA4200/BA4200T) of meer. Voor de beste prestaties raden wij het gebruik van EGO-accu's aan met een totaal van 30 Ah of meer.

E3-1	Vrijgaveknop voor de afdekking	E5-1	Accu-ontgrendelingsknop
------	--------------------------------	------	-------------------------

DE ZITMAAIER OPLADEN

Gebruik alleen met de aanbevolen accupacks en laders.

- De accupack(s) apart laden (afb. E7)

OPMERKING: Raadpleeg de bijbehorende handleidingen voor de accu en oplader voor gedetailleerde instructies.

- Laad de accu('s) op via de oplaadpoort (afb. E8 – E10)

E10-1	Stofafdekking	E10-2	Laadpoort
-------	---------------	-------	-----------

CONTROLEER HET VEILIGHEIDSVERGRENDELINGSSYSTEEM.

- Om het dek-messysteem te testen (afb. E11 – E12)
- Om het aandrijfsysteem te testen (afb. E13 – E14)

Als het dek-messysteem en/of het rijstelsysteem niet stopt als de bestuurder niet op de stoel zit en als de oorzaak niet kan worden vastgesteld na de controle of de stekker is aangesloten op de stoel, moet u onmiddellijk contact opnemen met uw EGO-klantenservice.

COMMUNICATIETECHNOLOGIE

Voor informatie over ons volledig assortiment van verbonden producten en diensten, waaronder de verbodingsinstructies, scan de QR-code hieronder of ga naar www.egopowerplus.eu/connect.



CHECKLIST VOOR GEBRUIK:

- Zorg ervoor dat zich geen kinderen, omstanders en huisdieren in het werkgebied bevinden.
- Maak het werkgebied schoon van voorwerpen die door de messen van de zitmaaier door de lucht kunnen worden geslingerd.
- Verwijder vuil van de zitmaaier.
- Controleer op losse bevestigingsmiddelen.
- Controleer of alle beschermingen op hun plaats zitten en goed werken.
- Controleer visueel of de banden zijn opgepompt.
- Controleer de werking van de rem.

- Stel de hoogte van het maaidek in op de gewenste maaipositie die het best geschikt is voor het gazon en stel de antiscalpwielen dienovereenkomstig af.
- Stel de zitpositie in en zorg ervoor dat beide pedalen bereikbaar zijn.
- Controleer het laadniveau van de accu.
- Controleer het veiligheidsvergrendelingsstelsel.
- Zorg ervoor dat de grasopvangbak correct is geïnstalleerd.

DE ZITMAAIER STARTEN (Afb. E15 – E16)

⚠ WAARSCHUWING: Voorkom plotselinge starts/stops en bochten, maar ook buitensporige snelheid, in het bijzonder tijdens het leren van de omgang met de zitmaaier. De zitmaaier kan snel draaien, waardoor u de controle kunt verliezen wat tot ernstig letsel en/of schade kan leiden.

⚠ WAARSCHUWING: Alvorens de zitmaaier te starten, moet u de messen ontkoppelen door de PTO-schakelaar binnen 5 sec omlaag te drukken. Als de messen niet stoppen, mag u de zitmaaier niet gebruiken en moet u direct contact opnemen met de EGO-klantenservice.

OPMERKING:

- Wanneer het parkeerrempedaal op de parkeerremstand is ingesteld, hoeft u de start/stopknop slechts 3 seconden ingedrukt te houden om het LCD-scherm op te lichten. Laat het parkeerrempedaal vervolgens los voordat u met de zitmaaier gaat rijden.
- De messen kunnen op elk moment worden gestart wanneer het LCD-scherm volledig is opgelicht en de richtingbedieningshendel niet naar achteren in de 'R'-richting is getrokken. Om de messen te laten draaien terwijl de zitmaaier achteruit rijdt, raadpleeg de sectie '**DE MESSEN LATEN DRAAIEN TIJDENS HET ACHTERUIT RIJDEN**' in deze handleiding.

OPMERKING: Volg afb. E17 om de laagste rijsnelheid te bereiken totdat u volledig in staat bent om de zitmaaier in alle situaties te bedienen.

De elektrische zitmaaier onthoudt de instellingen voor de rij- en messnelheid niet. De rij- en messnelheid keren terug naar stand 2 telkens wanneer de zitmaaier wordt uitgeschakeld.

Aanpassing van de rijsnelheid (afb. E17)

Aanpassing van de messnelheid (afb. E18)

OPMERKING: Druk in 'stand 3' opnieuw op de regelknop voor de messnelheid en de messnelheid wordt op de vorige snelheid ingesteld.

LED-verlichting (afb. E19)

- De LED-koplampen kunnen met behulp van de LED-lichtschakelaar worden in- en uitgeschakeld.

USB-poort

OPMERKING: De USB-poort biedt een laadvermogen van 5V DC met een gecombineerde afname van 1,5 ampère en werkt alleen wanneer de zitmaaier is ingeschakeld.

DE ZITMAAIER STOPPEN (Afb. E20)

⚠ WAARSCHUWING: Zet het parkeerrempedaal altijd op de parkeerremstand wanneer de zitmaaier stopt met rijden op een helling, anders kan de zitmaaier van de helling afglijden, wat ernstige schade aan de zitmaaier of persoonlijk letsel kan veroorzaken!

OPMERKING: In een situatie waarin het parkeerrempedaal op de parkeerremstand is gezet, de bestuurder niet op de stoel zit en de accupacks niet zijn verwijderd:

- Als het LCD-scherm is uitgeschakeld, blijven de accucontrolelampjes, de start/stop-knop en de CCS-knop gedurende 1 uur opgelicht.
- Als de 'brandstofmeter' of de bedieningsinterface op het LCD-scherm wordt weergegeven, wordt de zitmaaier automatisch na 1 uur automatisch uitgeschakeld.

Thuisbrengr-modus

Wanneer de acculading kritiek laag wordt, gaat de zitmaaier in de thuisbrengr-modus om voldoende stroom te behouden om terug te gaan naar het oplaadgebied.

- De messen schakelen over naar een lage rotatiesnelheid, waarbij slechts weinig gras kan worden gemaaid. Bij hoog en dicht gras, zullen de messen stoppen met draaien. De audio-indicator zal met tussenpozen afgaan (piepen).
- De statusindicator van de zitmaaier knippert elke seconde rood, zowel het waarschuwingspictogram (laag vermogen) als het pictogram van elk gebruikt accuvak knipperen.

De gebruiker moet:

- De PTO-schakelaar naar beneden drukken om de mesmotoren uit te zetten. De audio-indicator stopt wanneer de mesmotoren stoppen.
- Stop met werken en ga zo snel mogelijk naar het oplaadgebied. De maximale afstand die de zitmaaier kan afleggen bedraagt 1000 m.

Als de accu bijna leeg is, knippert het waarschuwingspictogram (laag vermogen) als het pictogram van elk gebruikt accuvak elke halve seconde. De zitmaaier stopt onmiddellijk met werken. De bestuurder zal de zitmaaier naar het oplaadgebied moeten vervoeren om deze op te laden.

OPMERKING: Als u handmatig moet duwen, zorg er dan voor dat de accu's zijn losgekoppeld van de zitmaaier en het parkeerrempedaal zich niet in de parkeerremstand bevindt.

DE ZITMAAIER BESTUREN (Afb. E21)

⚠ GEVAAR: Blijf op minstens twee maaibreedtes afstand van greppels, hellingen of water. De voorwielen kunnen draaien als de zitmaaier is gestopt, zelfs als de rem is geactiveerd, en kunnen ervoor zorgen dat de zitmaaier over de rand gaat of in het water beland, wat de dood of ernstig letsel tot gevolg kan hebben.

⚠ WAARSCHUWING: Gebruik de zitmaaier niet op de openbare weg.

⚠ WAARSCHUWING: Als er sprake van een blokkade is of als u een vreemd voorwerp raakt, dient u de motor te stoppen en de accu's te verwijderen. Verwijder vastzittend gras, bladeren, verontreinigingen en ander opgehoopt vuil; inspecteer de zitmaaier grondig op schade en repareer de schade alvorens de zitmaaier weer te starten en te gebruiken.

OPMERKING:

- Wanneer u de stoel tijdens het rijden verlaat, gaat de statusindicator van de zitmaaier uit. Wanneer u weer begint te rijden, leun achterover op de stoel en duw het parkeerrempeedaal volledig in om de statusindicator van de zitmaaier groen te laten branden.
- Wanneer u tijdens het rijden tussen vooruit en achteruit schakelt, beweeg de richtingbedieningshendels direct van het ene uiteinde naar het andere zonder te stoppen in de neutrale stand, anders kan de zitmaaier stoppen met rijden.

CRUISECONTROL (CCS) GEBRUIKEN

Om cruisecontrol (CCS) te activeren (te openen) (afb. E22)

OPMERKING: Het rijsnelheidsniveau dat op het LCD-scherm wordt weergegeven, geeft mogelijk niet nauwkeurig de werkelijke rijsnelheid van de zitmaaier in cruisecontrol weer. Druk op de snelheidsregelknop om het rijsnelheidsniveau op het LCD-scherm te 'vernieuwen'.

Om cruisecontrol (CCS) te stoppen (af te sluiten), kies een van de volgende drie manieren:

- Trap het gaspedaal helemaal in en houd het ingedrukt. De CCS-functie stopt en de zitmaaier blijft rijden.
- Trap het gaspedaal iets in en laat het dan los. De zitmaaier en de CCS-functie stoppen.
- Druk op de CCS-knop. De zitmaaier en de CCS-functie stoppen.

OPMERKING: Wanneer de CCS is gestopt, verdwijnt het  pictogram van het LCD-scherm en hoort u twee geluidssignalen.

OPMERKING: Als het parkeerrempeedaal wordt ingetrapt, stopt de zitmaaier, maar knippert het  pictogram op het LCD-scherm om aan te geven dat de CCS in stand-by staat. Laat in dat geval het parkeerrempeedaal los en druk op de CCS-knop. De zitmaaier rijdt automatisch weer verder en het  pictogram stopt met knipperen.

DE MESSEN INSCHAKELLEN TIJDENS HET ACHTERUIT RIJDEN

OPGELET: Achteruit maaien wordt afgeraden.

⚠ WAARSCHUWING: Wees uiterst voorzichtig bij het achteruit maaien. Zorg er altijd voor dat er voor en tijdens het achteruit maaien geen personen, vooral kleine kinderen, in het werkgebied aanwezig zijn.

⚠ WAARSCHUWING: Het zicht van de bestuurder kan worden belemmerd bij het bedienen van de zitmaaier die van een opvangbak is voorzien. Wees uiterst voorzichtig voor en tijdens het achteruit maaien en zorg dat u altijd op de hoogte bent van de omgeving.

Om ACHTERUIT MAAIEN te activeren (openen) (E23)

Om ACHTERUIT MAAIEN te stoppen (afsluiten), kunt u kiezen uit een van de volgende vier manieren:

- Druk eenmaal op de ACHTERUIT MAAIEN knop.
- Ga van de zitmaaierstoel af.
- Druk 3 sec lang op de start/stop-knop om het LCD-scherm uit te schakelen.
- Verwijder de veiligheidssleutel of verwijder de accupack(s) om de zitmaaier uit te schakelen.

OPMERKING: Wanneer de ACHTERUIT MAAIEN is gestopt, licht het  pictogram op het LCD-scherm op.

DE GRASOPVANGBAK LEGEN (Afb. E24)

OPMERKING: Wanneer het  pictogram op het LCD-scherm knippert, is de grasopvangbak vol. Nadat de opvangbak is geleegd, verdwijnt het  pictogram van het LCD-scherm.

OPMERKING: De grasopvangbak moet op de juiste manier op de zitmaaier worden aangebracht. De zitmaaier kan anders wel rijden, maar de mesmotoren kunnen niet draaien

ONDERHOUD

⚠ WAARSCHUWING: Draag altijd een veiligheidsbril met zijschermen. Als u dit niet doet kan het ertoe leiden dat voorwerpen in uw ogen terecht komen wat ernstig letsel kan veroorzaken.

⚠ WAARSCHUWING: Bescherm altijd uw handen door handschoenen te dragen of door de snijvlakken met doeken of andere materialen in te wikkelen voordat u onderhoud aan de messen van de zitmaaier uitvoert. Verwijder altijd de veiligheidssleutel en de accupacks tijdens onderhoud aan of transport van de zitmaaier.

AANBEVOLEN ONDERHOUDSCHEMA('S)

Onderhoudsinterval	Onderhoudsprocedure
Voor elk gebruik of dagelijks	<ul style="list-style-type: none"> ■ Controleer het veiligheidsvergrendelingssysteem. ■ Controleer visueel of de banden zijn opgepompt. ■ Inspecteer de messen. ■ Controleer het gehele product op beschadigingen, ontbrekende of los zittende onderdelen zoals de zijkoker, schroeven, moeren, bouten, doppen etc., zorg ervoor dat alle beschermingen op hun plek zitten en correct werken. ■ Controleer en zorg ervoor dat het gaspedaal goed kan worden ingetrapt en losgelaten. ■ Controleer de stuurdemper. Het stuur moet een zekere weerstand hebben wanneer het gedraaid wordt.
Na elk gebruik	<ul style="list-style-type: none"> ■ Maak de zitmaaier schoon en was het dek.

Elke 25 uur	<ul style="list-style-type: none"> Controleer de bandenspanning.
Elke 100 uur	<ul style="list-style-type: none"> Controleer de achterwielen; zorg ervoor dat de bouten en moeren zijn aangedraaid met het aanbevolen aanhaalmoment (101-103 Nm). Controleer de voorwielen; zorg ervoor dat de moer is aangedraaid tot het aanbevolen aanhaalmoment (90-92 Nm).
Elke 200 uur	<ul style="list-style-type: none"> Controleer de voorwielen, zorg dat ze vrij kunnen draaien.
Elk half jaar	<ul style="list-style-type: none"> Controleer het parkeerrempedaal. Verwijder de accu uit de zitmaaier, trek vervolgens de vergrendelingshendel voor parkeerrem omhoog en trap het parkeerrempedaal in om de parkeerrem te activeren. Duw de zitmaaier handmatig naar voren om na te gaan of de zitmaaier kan worden verplaatst zonder dat de achterwielen draaien. Als de zitmaaier beweegt en de achterwielen draaien, neem dan contact op met de klantenservice van EGO voor reparatie.
Voor opslag	<ul style="list-style-type: none"> Haal de accu's uit de zitmaaier. Verwijder de veiligheidssleutel van de zitmaaier. Voer alle hierboven vermelde onderhoudsprocedures uit en maak de zitmaaier grondig schoon. Inspecteer het hele product op beschadigde, ontbrekende of losse onderdelen, vervang of draai de overeenkomstige onderdelen vast voordat u deze opbergt.
Jaarlijks	<ul style="list-style-type: none"> Smeer de ashuizen van de voorwielen.

ALGEMEEN ONDERHOUD

De grasopvangbak leegmaken (afb. F1 – F3)

De buitenkant van de zitmaaier reinigen (afb. F4)

Waspoort gebruiken om het dek van de zitmaaier te reinigen (afb. F5 – F6)

F5-1	Waspoort	F5-2	Waspoort snelkoppeling
F5-3	Tuinslang		

OPMERKING: Als u klaar bent met schoonmaken, schakel de zitmaaier volledig uit en verwijder vervolgens de tuinslang en snelkoppeling.

ONDERHOUD VAN HET MAAIDEK EN DE MESSEN VAN DE ZITMAAIER

Vorbereitung (afb. G1)

Het maaidek verwijderen (afb. G2 – G3)

G2-1	Motorkabel	G2-2	Splitpen
G2-3	Ophangingsmechanisme		

Vervang de snijmessen (afb. G4 – G6)

G4-1	Stabilisator	G5-1	Bout
G5-2	Sluitring	G5-3	Mes
G5-4	Flens	G5-5	Motorschacht

Het dek nivelleren

a. Wanneer moet u nivelleren (afb. G7/Afb. G8/Afb. G9)

b. Voor het nivelleren

- Controleer de bandenspanning in koude toestand (afb. G10)
- Controleer de snijmessen. Verwijder en vervang indien nodig versleten, gescheurde en/of gebogen messen.

c. Vorbereiding voor nivellering (afb. G11)

d. Hoe nivelleren

- Een aanpassing van zijkant naar zijkant maken (afb. G12)
- Een aanpassing van voor- naar achterkant maken (afb. G13)

OPSLAG EN TRANSPORT


DE ZITMAAIER VERVOEREN (Afb. H1 – H5)

H2-1	Hellingen	H2-2	Riemen
------	-----------	------	--------

OPMERKING: Beveilig de zitmaaier indien nodig, gebruik banden of kabels om bewegingen tijdens het transport te voorkomen.

OPSLAG (Afb. I1 – I2)

OPMERKING: Verwijder en berg de accupack(s) apart op volgens de instructies in de betreffende handleidingen.

Reinig en controleer de zitmaaier voor opslag. Raadpleeg de sectie 'ALGEMEEN ONDERHOUD' en 'AANBEVOLEN ONDERHOUDSSCHEMA(S)'.



Het milieu beschermen

AEEA (afgedankte elektrische en elektronische apparatuur)
 Gooi geen elektrische apparaten, gebruikte accu's en laders weg via het huisvuil! Geef dit product af bij een geautoriseerd recyclingbedrijf en zorg dat het apart kan worden ingezameld. Elektrisch gereedschap moet worden afgegeven voor een milieuvriendelijke recycling.

PROBLEEMOPLOSSING

NL

PROBLEEM	OORZAAK	OPLOSSING
De elektrische zitmaaier rijdt niet wanneer het gaspedaal wordt ingetrapt.	<ul style="list-style-type: none"> De gecombineerde Ah van de geplaatste accu's voldoet niet aan de vereiste. 	<ul style="list-style-type: none"> Om deze zitmaaier te starten, moet u voldoende EGO-accu's gebruiken volgens de instructies in de sectie 'HET ACCUPACK VAST-/LOSMAKEN' in deze handleiding.
	<ul style="list-style-type: none"> Het parkeerrempedaal bevindt zich in de repositie. 	<ul style="list-style-type: none"> Trap het parkeerrempedaal volledig in om de zitmaaier uit de parkeerremstand te halen.
	<ul style="list-style-type: none"> De statusindicator van de zitmaaier brandt niet groen. 	<ul style="list-style-type: none"> Trap het parkeerrempedaal in en laat het vervolgens los. De statusindicator van de zitmaaier brandt groen, dit betekent dat de zitmaaier klaar is om te starten.
	<ul style="list-style-type: none"> De bestuurder zit niet op de stoel. 	<ul style="list-style-type: none"> De zitmaaier kan alleen worden bediend als de bestuurder juist op de stoel zit.
	<ul style="list-style-type: none"> Het veiligheidsvergrendelingssysteem van de stoel is niet goed aangesloten. 	<ul style="list-style-type: none"> Haal de accu's uit de zitmaaier en til de rugleuning van de stoel omhoog om na te gaan of de kabelstekker goed is aangesloten op de contactdoos aan de onderkant van de stoel (zie het hoofdstuk 'DE STOEL INSTALLEREN'). Volg de instructies in „DE ZITMAAIER STARTEN” om de zitmaaier opnieuw te starten en na te gaan of de zitmaaier nu wel start. Als dit niet het geval is, neem contact op met de klantenservice van EGO voor reparatie.
	<ul style="list-style-type: none"> Bij extreem koud eer kan de rijfunctie eventueel niet succesvol starten als gevolg van de bescherming tegen lage temperaturen. 	<ul style="list-style-type: none"> Berg de zitmaaier en de accu altijd op in een warme omgeving. Start de zitmaaier opnieuw wanneer deze is opgewarmd. Voer alstublieft geen herhaaldelijke pogingen onder extreem koude omstandigheden uit omdat deze de machine kunnen beschadigen.
	<ul style="list-style-type: none"> De bewegingsruimte van het gaspedaal is verstopt met vuil. 	<ul style="list-style-type: none"> Controleer en verwijder het vuil
	<ul style="list-style-type: none"> Storing van mechanische of elektronische componenten van het gaspedaal. De richtingbedieningshendel is in de neutrale stand geplaatst. 	<ul style="list-style-type: none"> Neem contact op met de klantenservice van EGO voor reparatie. Duw/trek de richtingbedieningshendel in de richting 'D' of 'R'.

PROBLEEM	OORZAAK	OPLOSSING
De elektrische zitmaaier stopt met rijden.	<ul style="list-style-type: none"> ■ Bij het schakelen tussen vooruit en achteruit tijdens het rijden blijft de richtingbedieningshendel lange tijd in de neutrale stand staan. 	<ul style="list-style-type: none"> ■ Laat het gaspedaal los en trap het vervolgens opnieuw in.
	<ul style="list-style-type: none"> ■ Defecte elektronische componenten van het gaspedaal. 	<ul style="list-style-type: none"> ■ Neem contact op met de klantenservice van EGO voor reparatie.
	<ul style="list-style-type: none"> ■ Het veiligheidsvergrendelingssysteem van de stoel is losgekoppeld tijdens het rijden op ruw terrein. 	<ul style="list-style-type: none"> ■ Haal de accu's uit de zitmaaier en til de rugleuning van de stoel omhoog om na te gaan of de kabelstekker goed is aangesloten op de contactdoos aan de onderkant van de stoel (zie het hoofdstuk 'DE STOEL INSTALLEREN'). Volg de instructies in „DE ZITMAAIER STARTEN” om de zitmaaier opnieuw te starten en na te gaan of de zitmaaier nu wel start. Als dit niet het geval is, neem contact op met de klantenservice van EGO voor reparatie.
	<ul style="list-style-type: none"> ■ Het gewicht van de gebruiker is niet gelijkmatig over de stoel verdeeld. Het gewicht van de bestuurder op de stoel moet minimaal 20 kg zijn voor een juiste werking van het veiligheidsvergrendelingssysteem van de stoel. 	<ol style="list-style-type: none"> 1. Ga juist op de stoel zitten, trap het parkeerrempedaal volledig in en laat het los, en de zitmaaier is klaar om te rijden. 2. Koppel de accu's los, indien nodig, en sluit ze opnieuw aan.
	<ul style="list-style-type: none"> ■ Het parkeerrempedaal is voldoende ingetrapt, maar staat niet in de parkeerstand, en de zitmaaier stopt. 	<ul style="list-style-type: none"> ■ Volg de instructies in 'DE ZITMAAIER STARTEN' om de zitmaaier opnieuw te starten.
De elektrische zitmaaier kan de messen niet starten wanneer de PTO-schakelaar is geactiveerd.  Het PTO-schakelaar pictogram knippert	<ul style="list-style-type: none"> ■ De gecombineerde Ah van de geplaatste accu's voldoet niet aan de vereiste. 	<ul style="list-style-type: none"> ■ Om deze zitmaaier te starten, moet u voldoende EGO-accu's gebruiken volgens de instructies in de sectie 'HET ACCUPACK VAST-/LOSMAKEN' in deze handleiding.
	<ul style="list-style-type: none"> ■ De PTO-schakelaar werd niet ingedrukt toen de zitmaaier de laatste keer werd uitgeschakeld. 	<ul style="list-style-type: none"> ■ Druk de PTO-schakelaar naar beneden en start de mesmotoren opnieuw.
	<ul style="list-style-type: none"> ■ De zitmaaier is overbelast op het moment dat de messen beginnen te draaien, waardoor de zelfbescherming van de mesmotoren wordt geactiveerd. 	<ul style="list-style-type: none"> ■ Start de zitmaaier eerst met een lage snelheid van de messen en totdat de messen de juiste rotatie bereiken, mag u de snelheid van de messen niet in de gewenste snelheid verhogen.
	<ul style="list-style-type: none"> ■ Bij extreem koud weer starten de mesmotoren mogelijk niet als gevolg van de bescherming tegen lage temperaturen. 	<ul style="list-style-type: none"> ■ Berg de zitmaaier en de accu altijd op in een warme omgeving. Start de zitmaaier opnieuw wanneer deze is opgewarmd. Voer alstublieft geen herhaaldelijke pogingen onder extreem koude omstandigheden uit omdat deze de machine kunnen beschadigen.
	<ul style="list-style-type: none"> ■ Het mes raakt het vervormde maaidek 	<ul style="list-style-type: none"> ■ Neem contact op met de klantenservice van EGO voor reparatie.
	<ul style="list-style-type: none"> ■ De grasopvangbak is niet goed geïnstalleerd. 	<ul style="list-style-type: none"> ■ Installeer de grasopvangbak op de juiste manier volgens de sectie 'DE GRASOPVANGBAK INSTALLEREN' in de handleiding.

PROBLEEM	OORZAAK	OPLOSSING
De messen stoppen tijdens het maaien van gras.	<ul style="list-style-type: none"> De zitmaaier is overbelast. 	<ul style="list-style-type: none"> Verhoog de maaihoogte van het dek of verlaag de rijsnelheid om de belasting van de zitmaaier te verlagen.
	<ul style="list-style-type: none"> Het dek is verstopt door gras en vuil. 	<ul style="list-style-type: none"> Reinig het dek en controleer of de messen vrij kunnen bewegen.
	<ul style="list-style-type: none"> De zitmaaier is oververhit. 	<ul style="list-style-type: none"> Reduceer de belasting van de zitmaaier, door de maaihoogte van het dek te verhogen of verlaag de snelheid van de messen/rijsnelheid en laat de zitmaaier afkoelen.
	<ul style="list-style-type: none"> De/het accupack(s) in de accuvakken van de zitmaaier is/zijn oververhit, wat erin resulteert dat de gecombineerde Ah van alle aangesloten accu's te laag is. 	<ol style="list-style-type: none"> De zitmaaier kan verder werken als de gecombineerde Ah-waarde van de accu's, inclusief oververhitte accu, het vereiste niveau bereikt. Zodra de oververhitte accu de normale temperatuur bereikt, gaat deze direct weer door met het voorzien van stroom voor de zitmaaier. Als het gecombineerde accuvermogen lager is dan vereist, werkt de zitmaaier niet totdat meer accupacks worden aangesloten op de lege accuvakken. Reduceer de belasting van de zitmaaier, door de maaihoogte van het dek te verhogen of de rijsnelheid te verlagen om de werking te hervatten.
	<ul style="list-style-type: none"> De zitmaaier staat in de thuisbreng-modus. 	<ul style="list-style-type: none"> Als de zitmaaier zich in de thuisbreng-modus bevindt, gaan de messen automatisch over naar de geringe rotatiesnelheid zonder gras te maaien. De gebruiker moet stoppen met werken en zo snel mogelijk naar de het acculaadstation gaan.
	<ul style="list-style-type: none"> De zitmaaier heeft een vreemd voorwerp geraakt, waardoor de motor is overgegaan naar de zelfbescherming. 	<ul style="list-style-type: none"> Druk de PTO-schakelaar naar beneden en start de mesmotoren opnieuw.
	<ul style="list-style-type: none"> De zitmaaier rijdt achteruit en het ACHTERUIT MAAIEN UIT-pictogram is op het LCD-scherm opgelicht. 	<ul style="list-style-type: none"> Druk de PTO-schakelaar omlaag en start de mesmotoren opnieuw volgens de instructies in de sectie 'ACHTERUIT MAAIEN ACTIVEREN (OPENEN)'.
De audio-indicator blijft afgaan.	<ul style="list-style-type: none"> De zitmaaier bevindt zich in de thuisbreng-modus en de messen zijn niet uitgeschakeld. 	<ul style="list-style-type: none"> Druk de PTO-schakelaar naar beneden om de mesmotoren uit te schakelen. De audio-indicator stopt wanneer de mesmotoren zijn uitgeschakeld.
	<ul style="list-style-type: none"> De zitmaaier stopt met rijden op een helling en de bestuurder zit niet op de stoel zonder het parkeerrempedaal in de parkeerremstand te zetten. 	<ul style="list-style-type: none"> Zet het parkeerrempedaal in de parkeerremstand voordat u de zitmaaier op de helling verlaat.
De stroomindicatoren op de accupacks branden nog steeds wanneer de zitmaaier wordt uitgeschakeld.	<ul style="list-style-type: none"> Wanneer de zitmaaier op een vlakke ondergrond wordt uitgeschakeld zonder de accu('s) uit de zitmaaier te verwijderen, blijven de stroomindicatoren gedurende een bepaalde periode branden. 	<ul style="list-style-type: none"> U hoeft niets te doen. De accu-indicatoren gaan uit wanneer de maaier na een tijdje wordt uitgeschakeld. Raadpleeg de sectie „DE ZITMAAIER STOPPEN” voor de specifieke tijd.
	<ul style="list-style-type: none"> Wanneer de zitmaaier op een helling wordt uitgeschakeld zonder de parkeerrem te activeren, blijven de stroomindicatoren op de accupacks branden totdat de accu leeg is. De audio-indicator blijft tegelijkertijd afgaan. 	<ul style="list-style-type: none"> Zet het parkeerrempedaal in de parkeerremstand voordat u de zitmaaier op de helling verlaat. De zitmaaier kan anders van de helling afglijden.

PROBLEEM	OORZAAK	OPLOSSING
Het LCD-scherm licht niet op met alle symbolen weergegeven.	<ul style="list-style-type: none"> De start/stop-knop is niet lang genoeg ingedrukt. 	<ol style="list-style-type: none"> Het LCD-scherm toont alleen 'vermogensmeter' als de start/stop-knop kort wordt ingedrukt. Het LCD-scherm licht op nadat het parkeerrempedaal volledig is ingetrapt en de start/stop-knop tegelijkertijd voldoende lang is ingedrukt.
	<ul style="list-style-type: none"> Wanneer het pictogram van de veiligheidssleutel '☞' knippert op het LCD-scherm, is de veiligheidssleutel niet aangebracht. 	<ul style="list-style-type: none"> Breng de veiligheidssleutel aan, trap vervolgens het parkeerrempedaal volledig in en druk tegelijkertijd voldoende lang op de start/stop-knop om het LCD-scherm aan te zetten.
	<ul style="list-style-type: none"> Wanneer het parkeerrem-pictogram '(P)' op het LCD-scherm knippert, is het parkeerrempedaal niet volledig ingetrapt. 	<ul style="list-style-type: none"> Breng de veiligheidssleutel aan, trap vervolgens het parkeerrempedaal volledig in en druk tegelijkertijd voldoende lang op de start/stop-knop om het LCD-scherm aan te zetten.
De zitmaaier maait niet gelijkmatig, met duidelijke hoogteverschillen voor en achter.	<ul style="list-style-type: none"> De messen zijn bot. 	<ul style="list-style-type: none"> Slijp of vervang de messen zoals vermeld in deze gebruiksaanwijzing.
	<ul style="list-style-type: none"> De messen zijn verbogen. 	<ul style="list-style-type: none"> Vervang het gebogen mes volgens de instructies in de sectie 'De messen vervangen'.
	<ul style="list-style-type: none"> Het dek is niet genivelleerd, wat resulteert in verschillende maaihoogtes 	<ul style="list-style-type: none"> Nivelleer het dek volgens de instructies in de sectie 'Het dek nivelleren'.
De daadwerkelijke maaihoogte is niet genivelleerd met de aanbevolen hoogte.	<ul style="list-style-type: none"> De moeren van het dek op het ophangingsmechanisme zijn los. 	<ul style="list-style-type: none"> Volg de instructies in de sectie 'Het dek nivelleren' om de voor- en achterkant van het maaidek juist in te stellen en maak de moeren op het ophangingsmechanisme stevig vast.
	<ul style="list-style-type: none"> Het dek is beschadigd of ernstig versleten. 	<ul style="list-style-type: none"> Volg de instructies in de sectie 'Het dek verwijderen' om het dek van de zitmaaier te vervangen.
De zitmaaier mulcht niet goed.	<ul style="list-style-type: none"> Nat gemaaid gras blijft aan de onderkant van het dek plakken. 	<ul style="list-style-type: none"> Wacht totdat het gras droog is voordat u het maait.
	<ul style="list-style-type: none"> De zitmaaier is zo ingesteld dat hij te veel gras in een keer moet maaien. 	<ul style="list-style-type: none"> Verhoog de maaihoogte van het dek.
Overmatige trillingen.	<ul style="list-style-type: none"> De messen zitten los. 	<ul style="list-style-type: none"> Draai de bout van het mes vast met het aanbevolen aanhaalmoment.
	<ul style="list-style-type: none"> De messen zijn verbogen. 	<ul style="list-style-type: none"> Vervang het gebogen mes volgens de instructies in de sectie 'De messen vervangen'.
	<ul style="list-style-type: none"> Het dek is niet genivelleerd. 	<ul style="list-style-type: none"> Nivelleer het dek volgens de instructies in de sectie 'Het dek nivelleren'.
	<ul style="list-style-type: none"> De moeren van het dek op het ophangingsmechanisme zijn los. 	<ul style="list-style-type: none"> Draai de moeren op de ophangstang vast.
	<ul style="list-style-type: none"> De zitmaaier is zo ingesteld dat hij te veel gras in een keer moet maaien. 	<ul style="list-style-type: none"> Verhoog de maaihoogte van het dek.
Er blijft gras of vuil achter op de grond na het maaien.	<ul style="list-style-type: none"> De zitmaaier is zo ingesteld dat hij te veel gras in een keer moet maaien als het gras te lang is. 	<ul style="list-style-type: none"> Begin met een hoge maaihoogte en reduceer totdat het gewenste maaieresultaat is bereikt. Gras van meer dan 152 mm moet in twee keer worden gemaaid, met opeenvolgend lager wordende hoogtes.
	<ul style="list-style-type: none"> Het gras is nat. 	<ul style="list-style-type: none"> Maai niet als het gras nat is. Wacht totdat het gras droog is.
	<ul style="list-style-type: none"> De rijsnelheid is te hoog. 	<ul style="list-style-type: none"> Verlaag de rijsnelheid.
	<ul style="list-style-type: none"> De snelheid van het mes is te laag. 	<ul style="list-style-type: none"> Verhoog de snelheid van het mes geleidelijk.

PROBLEEM	OORZAAK	OPLOSSING
Korte werkingstijd van de zitmaaier met de meegeleverde accu's.	<ul style="list-style-type: none"> Gazonterrein, grasomstandigheden, maaihoogte-instelling, rijsnelheid, messnelheid, etc. hebben een grote invloed op de looptijd. 	<ul style="list-style-type: none"> Verhoog de maaihoogte van het dek of verlaag de snelheid van het mes om de belasting tijdens het maaien te verminderen.
De zitmaaier rijdt niet recht.	<ul style="list-style-type: none"> De bandenspanning voor de linker- en rechterwielen is verschillend. 	<ul style="list-style-type: none"> Controleer de bandenspanning in de voor- en achterwielen en pas ze aan, in overeenstemming met de aanbeveling in de sectie 'SPECIFICATIES' in deze handleiding.
Het parkeerrempedaal kan niet worden ontgrendeld uit de parkeerremstand of springt slechts langzaam terug.	<ul style="list-style-type: none"> Het bewegingspad van het parkeerrempedaal is verstopt met vuil. 	<ul style="list-style-type: none"> Controleer en verwijder het vuil.
De zitmaaier kan niet worden geladen via de laadpoort terwijl de statusindicator van de zitmaaier continu rood brandt.	<ul style="list-style-type: none"> De stekker van de oplader is niet juist aangesloten op de laadpoort van de zitmaaier. 	<ul style="list-style-type: none"> Sluit de laadstekker weer aan om te zien of de zitmaaier normaal kan worden opgeladen.
	<ul style="list-style-type: none"> Er staat geen stroom op het stopcontact. 	<ul style="list-style-type: none"> U hoeft niets te doen. Wacht totdat de spanning herstelt.
	<ul style="list-style-type: none"> Storing van de lader. 	<ul style="list-style-type: none"> Neem contact op met de klantenservice van EGO en laat de oplader indien nodig inspecteren en/of repareren door een gekwalificeerde technicus.
	<ul style="list-style-type: none"> De laadpoort op de zitmaaier is defect. 	<ul style="list-style-type: none"> Neem contact op met de klantenservice van EGO voor reparatie.
De laadduur via de laadpoort van de zitmaaier is te lang.	<ul style="list-style-type: none"> Het gebruik van de EGO-adapter ACA1000 vergt een langere tijd. 	<ul style="list-style-type: none"> Gebruik de EGO-oplader CHV1600E om de elektrische zitmaaier rechtstreeks op te laden.
De accu's kunnen niet volledig worden opgeladen via de oplaadpoort van de zitmaaier.	<ul style="list-style-type: none"> Een firmwarefout van de zitmaaier of het accupack, of een storing op de oplader. 	<ul style="list-style-type: none"> Reset de oplader door de oplader los te koppelen en enkele minuten te wachten. Sluit vervolgens de stekker weer aan op de voeding. Als dit het probleem niet oplost, bel dan de EGO-klantenservice.
De zitmaaier kan niet worden gestart na het reinigen.	<ul style="list-style-type: none"> Onjuiste reiniging, waardoor bijvoorbeeld water in de elektrische componenten, het lcd-scherm etc. komt. 	<ol style="list-style-type: none"> Volg de instructies in de sectie 'ALGEMEEN ONDERHOUD' om de zitmaaier correct te reinigen. Als de zitmaaier onbedoeld in de regen terecht komt, laat de maaier drogen of gebruik perslucht om deze te drogen.
Het dek raakt snel verstopt.	<ul style="list-style-type: none"> Het dek is na eerder gebruik niet goed schoongemaakt. 	<ul style="list-style-type: none"> Reinig het maaidek na elk gebruik zoals beschreven in de sectie 'De waspoort gebruiken om het dek te reinigen'.
De zitmaaier verliest snel de tractie als hij een helling moet beklimmen.	<ul style="list-style-type: none"> De banden van de achterwielen zijn versleten. 	<ul style="list-style-type: none"> Ga naar een lokale werkplek om de banden van de wielen te vervangen.
	<ul style="list-style-type: none"> Maaien op een steile helling. 	<ul style="list-style-type: none"> De zitmaaier mag niet worden gebruikt om hellingen te maaien die steiler zijn dan de vereiste graden.
Wanneer de zitmaaier op een helling stilstaat met het parkeerrempedaal geactiveerd, kan de zitmaaier van de helling omlaag glijden.	<ul style="list-style-type: none"> De remonderdelen zijn overmatig versleten als gevolg van een onjuiste bediening van de zitmaaier. 	<ul style="list-style-type: none"> Neem contact op met de klantenservice van EGO voor reparatie.
Er komt geen water uit de waspoort wanneer u probeert het dek te wassen.	<ul style="list-style-type: none"> De waspoort-snelkoppeling is niet goed op de waspoort gemonteerd. 	<ul style="list-style-type: none"> Bevestig de waspoort snelkoppeling opnieuw totdat u een klik hoort nadat u hem er stevig op heeft gedrukt. Als dat niet werkt, belt u de EGO-klantenservice.
Er is een abnormaal geluid hoorbaar wanneer de zitmaaier handmatig wordt voortgeduwd zonder hem te starten.	<ul style="list-style-type: none"> Het geluid is afkomstig van de magneten aan de binnenkant van de aandrijfmotor. 	<ul style="list-style-type: none"> Het is normaal en u hoeft niets te doen.
Het stuur kan niet worden gedraaid.	<ul style="list-style-type: none"> Het stuursysteem is verstopt met vuil. 	<ul style="list-style-type: none"> Controleer en verwijder het vuil.

PROBLEEM	OORZAAK	OPLOSSING
De zitmaaier draait niet naar links/rechts als het stuur wordt gedraaid.	<ul style="list-style-type: none"> ▪ Storing van elektronische of mechanische componenten. 	<ul style="list-style-type: none"> ▪ Neem contact op met de klantenservice van EGO voor reparatie.
De zitmaaier stopt niet wanneer u het gaspedaal loslaat.	<ul style="list-style-type: none"> ▪ Het retourpad van het gaspedaal is verstopt met vuil. 	<ul style="list-style-type: none"> ▪ Controleer en verwijder het vuil.
	<ul style="list-style-type: none"> ▪ De CCS-knop wordt tijdens het rijden onbedoeld ingedrukt. De zitmaaier staat in cruisecontrol-modus 	<ul style="list-style-type: none"> ▪ Controleer of het CCS-pictogram op het lcd-scherm brandt en verlaat de CCS indien nodig. Zie het hoofdstuk 'CRUISECONTROL (CCS) GEBRUIKEN'
De CCS-functie kan niet worden geactiveerd of uitgeschakeld.	<ul style="list-style-type: none"> ▪ De CCS-knop is niet goed ingedrukt. 	<ul style="list-style-type: none"> ▪ Druk op de CCS-knop totdat het CCS-pictogram op het lcd-scherm oplicht of van het lcd-scherm verdwijnt.
De voorwielen van de zitmaaier draaien met een abnormaal geluid	<ul style="list-style-type: none"> ▪ De asbussen van de voorwielen hebben smering nodig. 	<ul style="list-style-type: none"> ▪ Verwijder de accupacks en vul vervolgens de injectiepoorten met vet totdat het vet over de boven of onderrand van de asbussen van de voorwielen stroomt.

REFERENTIE VAN DE STATUS VAN DE ZITMAAIER

LCD-scherm	Beschrijving	Statusindicator van zitmaaier	Audio-indicator	Oorzaak	Oplossing
	Brandstofmeter-pictogram	UIT	Nee	Het geeft de gemiddelde laadcapaciteit aan van de geplaatste accu's	Dit is normaal. U hoeft niets te doen.
	Uurmeter-pictogram	UIT	Nee	Het geeft de totale rijtijd van de zitmaaier in uren aan en kan niet worden gereset.	Dit is normaal. U hoeft niets te doen.
	Laadvermogenindicator-pictogram	UIT	Nee	Het geeft het huidige laadvermogen van de zitmaaier aan.	Dit is normaal. U hoeft niets te doen.
	Het LED-verlichtingspictogram wordt op het LCD-scherm weergegeven.	UIT	Nee	De koplampen worden ingeschakeld door de LED-lichtschakelaar.	Dit is normaal. U hoeft niets te doen.
	Het Bluetooth-pictogram wordt op het LCD-scherm weergegeven	UIT	Nee	De zitmaaier is via Bluetooth verbonden met een mobiel apparaat.	Dit is normaal. U hoeft niets te doen.
	Het ACHTERUIT MAAIEN UIT-pictogram wordt op het LCD-scherm weergegeven.	UIT	Nee	Dit geeft aan dat de messen niet kunnen worden ingeschakeld wanneer de zitmaaier achteruit rijdt.	Dit is normaal. Om de messen toch te laten draaien terwijl de zitmaaier achteruit rijdt, raadpleeg de sectie 'DE MESSEN LATEN DRAAIEN TIJDENS HET ACHTERUIT RIJDEN' in de handleiding.
	Rijden-pictogram wordt op het LCD-scherm weergegeven.	UIT	Nee	Het geeft aan dat de zitmaaier vooruit kan rijden of rijdt.	Dit is normaal. Zet de richtingbedieningshendel naar wens in de stand 'D', neutraal of 'R'.
	Het achteruit-pictogram wordt op het LCD-scherm weergegeven.	UIT	Nee	Het geeft aan dat de zitmaaier achteruit kan rijden of rijdt.	
	Rijden-pictogram en achteruit-pictogram knipperen afwisselend	UIT	Nee	Dit geeft aan dat de zitmaaier niet bestuurd kan worden.	
	De veiligheidssleutel-pictogram wordt weergegeven	UIT	Nee	De veiligheidssleutel is correct aangebracht.	Dit is normaal. U hoeft niets te doen.
	Het veiligheidssleutel-pictogram knippert wanneer 'brandstofmeter' op het LCD-scherm wordt weergegeven.	UIT	Nee	De veiligheidssleutel is niet aangebracht. Het paneel van de veiligheidssleutel is defect	Breng de veiligheidssleutel aan, trap vervolgens het parkeerrempeedaal volledig in en druk langer dan 3 seconden op de start/stop-knop om de zitmaaier aan te zetten. Neem contact op met de klantenservice van EGO voor reparatie.

NL

LCD-scherm	Beschrijving	Statusindicator van zitmaaier	Audio-indicator	Oorzaak	Oplossing
	Het parkeerrem-pictogram knippert wanneer het LCD-scherm 'brandstofmeter' weergeeft.	UIT	Nee	Het parkeerrempedaal is niet ingetrapt.	Met de veiligheidssleutel aangebracht, trap het parkeerrempedaal volledig in en druk tegelijkertijd langer dan 3 seconden op de START/STOP-knop om de zitmaaier aan te zetten.
	Het parkeerrem-pictogram knippert wanneer de bedieningsinterface op het LCD-scherm wordt weergegeven.	UIT	Nee	Trap het gaspedaal in voordat u het parkeerrempedaal intrapt om de indicator van de zitmaaier groen te laten branden.	Start de grasmaaier op een juiste manier volgens de sectie 'DE GRASMAAIER STARTEN' .
	Het parkeerrem-pictogram brandt	UIT	Nee	Het parkeerrempedaal staat in de parkeerremstand.	Laat los voordat u de zitmaaier start.
	Het stoelsensor-pictogram wordt weergegeven.	UIT	Nee	De gebruiker verlaat de stoel of het veiligheidsvergrendelingssysteem van de stoel is ontkoppeld.	Als de bestuurder op de stoel zit en het pictogram wordt weergegeven, stop direct met het gebruik van de zitmaaier en controleer de stoelverbinding. Als de stoelverbinding met de zitmaaier juist is, moet u contact opnemen met een gekwalificeerde technicus voor reparatie.
	Het PTO-schakelaar pictogram knippert	UIT	Nee	De mesmotor werd onderbroken en de PTO-schakelaar bevindt zich niet in de uit-positie.	Voordat u de zitmaaier opnieuw start, drukt u de PTO-schakelaar omlaag om de mesmotoren uit te schakelen. Zie de sectie 'PROBLEEMOPLOSSING' in deze handleiding voor meer informatie.
	Het pictogram van een bepaald accuvak knippert.	UIT	Nee	Een bepaalde accu heeft een overstromtoestand bereikt bij het ontladen.	U hoeft niets te doen. De zitmaaier kan verder werken als de gecombineerde Ah-waarde van de accu's, exclusief de overstroom-accu, gelijk is aan of hoger is dan 15 Ah. Zodra de overstroom-accu weer normaal wordt, zal deze de zitmaaier onmiddellijk van stroom voorzien en zal het pictogram verdwijnen.
	Het pictogram van een leeg accuvak knippert.	UIT	Nee	De accucapaciteit is niet voldoende om de zitmaaier te laten werken.	Om deze zitmaaier te starten, moet u voldoende EGO-accu's gebruiken volgens de instructies in de sectie 'HET ACCUPACK VAST-/LOSMAKEN' in deze handleiding.

NL

LCD-scherm	Beschrijving	Statusindicator van zitmaaier	Audio-indicator	Oorzaak	Oplossing
	Het temperatuurpictogram en het betreffende accuvak knippert op hetzelfde moment.	UIT	Nee	Het accupack in het overeenkomstig genummerde accuvak is oververhit.	<ol style="list-style-type: none"> De zitmaaier kan verder werken als de gecombineerde Ah-waarde van de accu's, inclusief oververhitte accu, het vereiste niveau bereikt. Zodra de oververhitte accu de normale temperatuur bereikt, gaat deze direct weer door met het voorzien van stroom voor de zitmaaier. Als het gecombineerde accuvermogen lager is dan vereist, werkt de zitmaaier niet totdat meer accupacks worden aangesloten op de lege accuvakken. Reduceer de belasting van de zitmaaier, door de maaihoogte van het dek te verhogen of de rijsnelheid te verlagen om de werking te hervatten.
	Het temperatuurpictogram knippert.	UIT	Een keer piepen	<p>De zitmaaier is oververhit.</p> <p>De zitmaaier is te koud.</p>	<p>Reduceer de belasting van de zitmaaier, door de maaihoogte van het dek te verhogen of verlaag de snelheid van de messen/rijsnelheid. Las een pauze in en laat de zitmaaier afkoelen.</p> <p>Voer geen herhaalde pogingen uit die de machine kunnen beschadigen. Berg de zitmaaier en de accu altijd op in een warme omgeving. Start de zitmaaier opnieuw wanneer deze is opgewarmd.</p>
	Het waarschuwingspictogram knippert	Knippert rood	Een keer piepen	<p>De mesmotor is overbelast.</p> <p>De zijkoker van de zitmaaier is verstopt door gras en vuil.</p> <p>Er is een probleem tussen het mes en het maaidek.</p>	<p>Verhoog de maaihoogte van het dek of verlaag de rijsnelheid om de belasting van de zitmaaier te verlagen.</p> <p>Reinig de zijkoker na elk gebruik.</p> <p>Neem contact op met de EGO-klantenservice.</p>

LCD-scherm	Beschrijving	Statusindicator van zitmaaier	Audio-indicator	Oorzaak	Oplossing
	De pictogrammen van elk gebruikt accuvak en het waarschuwingspictogram knipperen elke seconde tegelijkertijd op het LCD-scherm.	Knippert rood	Blijft piepen totdat de PTO-schakelaar naar beneden wordt gedrukt	De accupacks hebben een gering vermogen en de zitmaaier bevindt zich in de thuisbreng-modus.	Stop met werken en breng de accu naar de lader. OPMERKING: Als de zitmaaier zich in de thuisbreng-modus bevindt, gaan de messen automatisch over naar de geringe rotatiesnelheid zonder gras te maaien en gaat de audio-indicator tegelijkertijd af. De gebruiker moet de PTO-schakelaar naar beneden drukken om de mesmotoren uit te schakelen. De audio-indicator stopt met afgaan nadat de messen zijn gestopt.
	Het pictogram van elk bezet accuvak en het waarschuwingspictogram knipperen elke halve seconde.	Knippert rood	Blijft piepen	De mesmotor werd onderbroken en de PTO-schakelaar bevindt zich niet in de uit-positie.	De zitmaaier stopt onmiddellijk met werken. De bestuurder moet de zitmaaier naar de acculader brengen om hem op te laden.
	Het CCS-pictogram wordt op het LCD-scherm weergegeven	Continu groen	Nee	De zitmaaier rijdt tegen een ingestelde snelheid vooruit zonder het gaspedaal in te hoeven trappen.	Dit is normaal. Schakel indien nodig de CCS-functie uit volgens de sectie ' Cruise Control (CCS) stoppen (afsluiten) ' in de handleiding.
	Het CCS-pictogram knippert op het LCD-scherm.	UIT	Nee	De CCS-functie (cruise control system) is uitgevallen. Het parkeerrempedaal is ingetrapt om de zitmaaier te stoppen.	De CCS-functie kan niet worden ingesteld wanneer de zitmaaier met zeer lage snelheid rijdt of achteruit rijdt. Nadat het parkeerrempedaal is losgelaten, druk op de CCS-knop en het CCS-pictogram wordt op het LCD-scherm weergegeven, of sluit de CCS-functie af volgens de instructies in de sectie ' Cruise Control (CCS) stoppen (afsluiten) '.
	Er wordt geen opvangbak-pictogram op het LCD-scherm weergegeven	n.v.t.	Nee	Dit geeft aan dat de grasopvangbak niet of niet goed op de zitmaaier is gemonteerd.	Monteer de grasopvangbak op een juiste manier op de zitmaaier.
	Het volle grasopvangbak-pictogram knippert op het LCD-scherm	n.v.t.	Nee	Het geeft aan dat de grasopvangbak vol is.	Maak de grasopvangbak leeg en breng deze op de juiste manier opnieuw aan.
n.v.t.	n.v.t.	UIT	Blijft piepen	De zitmaaier wordt op een helling geparkeerd en de bestuurder verlaat de zitmaaier zonder het parkeerrempedaal in de parkeerremstand te zetten.	Zet het parkeerrempedaal in de parkeerremstand. Het parkeerrem-pictogram brandt en de audio-indicator stopt met piepen.

LCD-scherm	Beschrijving	Statusindicator van zitmaaier	Audio-indicator	Oorzaak	Oplossing
UIT	Fout in oplaadpoort	Continu ROOD	n.v.t.	Er is geen stroomvoorziening.	Controleer of het stopcontact een spanning van 220 - 240V levert en juist werkt.
		Continu ROOD	n.v.t.	Elektrische storingen, zoals de laadpoort is in open circuit, de zekering is doorgeslagen, etc.	Neem contact op met de klantenservice van EGO voor reparatie.

NL STORINGSCORE REFERENTIE

Beschrijving	Storingscode op het lcd-scherm	Audio-indicator	Oplossing
De linker mesmotor werkt niet tijdens een rotatie.	509	Een keer piepen	Inspecteer eerst het mes. Als die los zit, draai de bout vast tot het aanbevolen aanhaalmoment. Of neem contact op met de klantenservice van EGO voor reparatie.
De rechter mesmotor werkt niet tijdens een rotatie.	609	Een keer piepen	

MEDEDELING: Voor andere storingscodes die op het scherm verschijnen, en een PCBA-storing, losse verbinding, storing van de aandrijfmotor, motor van de messen, etc. kunnen aangeven, verwijder alle accupacks, breng ze na enkele minuten opnieuw aan en start de zitmaaier opnieuw. Als het probleem nog niet is opgelost, noteer de storingscode en neem contact op met de klantenservice van EGO voor reparatie.

GARANTIE

EGO-GARANTIEBELEID

Ga naar de website egopowerplus.eu voor de volledige algemene voorwaarden van het EGO-garantiebeleid.

LÆS ALLE VEJLEDNINGERNE!



LÆS BRUGSVEJLEDNINGEN

SIKKERHEDSSYMBOL

Formålet med sikkerheds- symboler er at tiltrække din opmærksomhed på mulige farer. Du skal være meget opmærksom på sikkerhedssymbolerne og forklaringerne til dem og lære at forstå dem. Symbolernes advarsler fjerner ikke i sig selv eventuelle farer. Anvisningerne og advarselne er ingen erstatninger for ordentlig forebyggelse af ulykker.

⚠ ADVARSEL: Sørg for at læse og forstå alle sikkerhedsanvisninger i denne brugsanvisning, herunder alle sikkerhedssymboler, såsom "FARE", "ADVARSEL" og «FORSIGTIG», før du bruger dette værktøj. Hvis anvisningerne nedenfor ikke følges, kan det føre til elektrisk stød, brand og/eller alvorlig personskade.

DK

SYMBOLERNES BETYDNING

Denne side viser og beskriver sikkerhedssymboler, der kan være på dette produkt. Læs, forstå, og følg alle anvisningerne på maskinen, før du forsøger at samle og betjene den.

SIKKERHEDSSYMBOLER

	Sikkerhedsadvarsel		Læs og forstå brugsanvisningen
	Øjenbeskyttelse		Vedligehold sikkerhedsanordninger
	FARE - fare på stejle skrånninger		FARE - Hold omkringstående personer væk fra klingerne
	Børn må aldrig køre eller sidde på produktet		Kik bagud, når du bakker
	ADVARSEL - Denne maskine må ikke bruges på skrånninger, der hælder mere end 12°		FARE - Udslyngede fremmedlegemer
	ADVARSEL - HOLD HÆNDER OG FØDDER VÆK		Garanteret lydniveau. I henhold til EU-direktiver.
	Træd ikke her		Elektriske affaldsprodukter må ikke bortskaffes sammen med husholdningsaffald. Tag det til en godkendt genbrugsplads.
	Dette produkt er i overensstemmelse med gældende EU-direktiver		FORSIGTIG - Undgå, at kikke ind i driftslampen.
	Jævnstrøm (DC)		Dette produkt er i overensstemmelse med lovgivningen i Storbritannien.

kPa	Kilopascal	RPM	Omdrejninger per minut
V	Volt	m	Meter
in	Tomme	cm	Centimeter
Nm	Newton-måler	mm	Millimeter
°C	Celsius	kg	Kg
km/h	Kilometer pr. time	IPX4	Grad af beskyttelse mod indtrængning

SYMBOLERNE I DENNE VEJLEDNING

DK



Oplysningerne skal skrives ned



Den angivne handling stopper

SPECIFIKATIONER

Spænding	56 V	
Dækstørrelse	98 cm	
Hjulstørrelse	Forside	15 x 6 – 6 tommer
	Bagside	18 x 7,5 – 8 tommer
Koldt dæktryk	Forside	96,5 kPa
	Bagside	170 kPa
Klinge­hastighed (RPM)	Op til 3000	
Tophastighed	Fremad	Op til 9,6 km/t
	Bagud	op til 4,8 km/t
Indstilling af klippe­højde (12 indstillinger)	25 – 100 mm	
Opladningstemperatursområde	5°C – 40°C	
Driftstemperatur	0°C – 40°C	
Opbevaringstemperatur	-20°C – 70°C	
Vægt (uden batteri)	220 kg	
Målt lydeffektniveau L_{WA}	97,7 dB(A) K=1,75 dB(A)	
Lydtryk ved brugerens øre L_{PA}	83,6 dB(A) K=3 dB(A)	
Garanteret lydeffektniveau L_{WA} (målt i henhold til direktiv 2000/14/EF)	100 dB(A)	
Vibration a_h	Hånd	0,24 m/s ² K=1,5 m/s ²
	Krop	0,18 m/s ² K=1,5 m/s ²

- Den samlede erklærede vibrationsværdi er målt i overensstemmelse med en standard testmetoden, og den kan bruges til at sammenligne et værktøj med et andet;
- Den samlede angivne vibrationsværdi kan også bruges ved en foreløbig vurdering af eksponeringen.

BEMÆRK: Vibrationsemissionen ved faktisk brug af elværktøjet kan afvige fra den angivne værdi, hvor værktøjet bruges. For at beskytte brugeren, skal brugeren bruge handsker og høreværn i de faktiske brugsforhold.

ANBEFALET TILBEHØR

⚠ ADVARSEL: Brug kun tilbehøret, der er anført nedenfor. Hvis der bruges tilbehør, der ikke opfylder de oprindelige deles specifikationer, kan det påvirke apparatets ydeevne og sikkerheden.

NAVN PÅ DELEN	MODELNUMMER
Sæt med opsamlingsklinger	AB3801TD
Tildækningsindsats	AMP3800T

BESKRIVELSE

GØR DIG BEKENDT MED DIN TRAKTOR (Fig. A1)

- Sæde
- Kopholdere
- Baghjul (trækjul) (x2)
- Skyllehul (x2)
- Dæk
- Skalperingshjul (x2)
- Forhjul (x2)
- Kofanger foran
- Parkeringsbremsepedal
- LED-forlygter (x2)
- Strømenhed
- Opbevaringsrum
- Låsegreb til parkeringsbremse
- Rat
- Håndtag til justering af sædeplaceringen
- Græsbeholder

17. Opladningsstik
18. USB-port
19. Opbevaringskurv
20. Gaspedal
21. Justeringshåndtag til dækhøjde
22. Vippehåndtag
23. Håndtag
24. Traktorens statusindikator
25. Justeringsknap til klingehastighed
26. Knap til KLIPNING I BAKGEAR
27. Start/stop-knap
28. Håndtag til styring af retning
29. Sikkerhedsnøgle
30. PTO-kontakt
31. CCS-knap
32. LED-lysknap/Bluetooth-knap
33. Knap til justering af kørehastighed
34. Frigivelsesknop til dækslet til strømenheden
35. Dæksel til strømenheden
36. Strømenhed med seks batterirum
37. Knap til frigørelse af batteri

GØR DIG BEKENDT MED LCD-SKÆRMEN (Fig. A2)

I afsnittet «**TRAKTORSTATUSREFERENCE**» og «**FEJLKODEREFERENCE**» kan du finde flere oplysninger om ikonerne og indikatorerne på LCD-skærmen.

1. CCS-ikon
2. Sikkerhedsenhed-statusindikator
3. Ikon for KLIPNING I BAKGEAR FRA
4. Køreikon
5. Bak-ikon
6. Sikkerhedsnøgle-ikon
7. LED-lysikn
8. Bluetooth-ikon
9. Klingehastighed-indikator
10. Timemåler
11. Energimåler
12. Temperatur-ikon
13. Advarselsikon (overbelastning/lav effekt)
14. Ikon, der viser at batteriet er i batterirummet
15. Ikon, der viser at batteriet ikke er i batterirummet
16. Fejlkode-indikator
17. Belastning-indikator
18. Kørehastighed-indikator
19. Ikon for fuld græsbeholder
20. Ikon for igen græsbeholder

UDPAKNING

BEMÆRK: Gem emballagen indtil produktet er blevet set nøje efter og du ved det virker ordentligt. Hvis nogen af delene på listen over dele i pakken sidder på maskinen, bedes du straks kontakte EGO.

BEMÆRK: Det er kun værktøjerne på nedenstående liste over dele i pakken, der følger med. Alle andre dele i vejledningerne er blot anbefalede dele.

LISTE OVER DELE I PAKKEN (Fig. B)

B-1	Elektrisk plænetraktor	B-2	Sæde
B-3	Rat	B-4	Støvhætte
B-5	Kombinationsnøgler	B-6	18 mm topnøgle
B-7	Trinbolte (1 til reserve)	B-8	M8 møtrikker (1 til reserve)
B-9	M12 møtrikker (1 til reserve)	B-10	Spændeskiver (1 til reserve)
B-11	Sikkerhedsnøgle	B-12	Lynkobling til skyllehul
B-13	Brugervejledning	B-14	Græsbeholder (med to sæt bolte og møtrikker til sidebeslagene)
B-15	U-formet beslag	B-16	Sidebeslag
B-17	Vippehåndtag	B-18	Venstre og højre sidebeslag til græsbeholder
B-19	Tværstang	B-20	M8X40 Bolt
B-21	M8X25 Bolt	B-22	M8 møtrik

DK

SAMLING

MONTERING AF RATTET (Fig. C1)

C1-1	Ratstamme	C1-2	Rat
C1-3	Midterstang	C1-4	Spændeskive
C1-5	Møtrik	C1-6	18 mm topnøgle
C1-7	Støvdæksel		

MONTERING AF SÆDET (Fig. C2)

⚠ ADVARSEL: Låsesystemet må ikke låses op eller omgås. Hvis dette gøres, kan traktoren køre uventet, hvilket kan føre til personskader.

C2-1	Sæde	C2-2	Møtrik (M8)
C2-3	Trinbolt	C2-4	Stik
C2-5	Stik		

MONTERING AF GRÆSBEHOLDEREN (Fig. C3-C8)

C3-1	U-formet beslag	C3-2	Beholder
C3-2	4 sæt bolte og møtrikker (M8 X 40)	C3-4	Skruenøgle
C4-1	Sidebeslag	C4-2	4 sæt bolte og møtrikker (M8 X 40)
C4-3	Skruenøgle	C5-1	Vippehåndtag
C5-2	1 sæt bolt og møtrik (M8 X 40)	C5-3	Skruenøgle
C6-1	Støttebeslag til beholder	C6-2	4 sæt bolte og møtrikker (M8 X 25)
C6-3	Skruenøgler	C7-1	Tværstang
C7-2	2 møtrikker (M8)	C7-3	Skruenøgle

DK

JUSTERING

INDEN JUSTERINGEN (Fig. D1)

JUSTERING AF HØJDEN PÅ KLIPPEDÆKKET (Fig. D2)

JUSTERING AF SKALPERINGSHJULENE (Fig. D3 – D6)

D3-1	Skalperingshjul	D5-1	Møtrik
D5-2	Hjilmøtrik	D6-1	Dækhøjdemærkat

JUSTERING AF SÆDET (Fig. D7)

D7-1	Håndtag til justering af sædeplaceringen
------	--

BETJENING

FØR BRUG (Fig. E1)

INDSTILLING AF PARKERINGSBREMSER (Fig. E2)

E2-1	Indstilling til parkeringsbremse	E2-2	Frigivet indstilling
------	----------------------------------	------	----------------------

⚠ ADVARSEL: PARKERINGSBREMSEPEDALEN KAN IKKE SÆNKE KØREHASTIGHEDEN. DU MÅ ALDRIG TRÆDE PÅ PARKERINGSBREMSEPEDALEN FOR AT SÆNKE KØREHASTIGHEDEN UNDER KØRSEL. HVIS DER TRÆDES PÅ PARKERINGSBREMSEPEDALEN, MEN DEN IKKE ER I PARKERINGSBREMSEINDSTILLINGEN, ER DEN ELEKTRISKE BREMSE IKKE LÆNGERE EFFEKTIV, OG TRAKTOREN HOLDER OP MED AT KØRE PÅ EN PLAN OVERFLADE. HVIS DETTE SKER PÅ EN SKRÅNING, KAN TRAKTOREN GLIDE NED AD SKRÅNINGEN, NÅR PARKERINGSBREMSEPEDALEN SLIPPES.

⚠ ADVARSEL: I TILFÆLDE AF EN NØDSITUATION, SKAL DU STRAKS TRÆKKE PARKERINGSBREMSENS LÅSEGREB OP OG TRÆDE PÅ PARKERINGSBREMSEPEDALEN FOR AT TRÆKKE PARKERINGSBREMSER, HVOREFTER TRAKTOREN STANDSER ØJEBLIKKELIGT, SÅ DEN IKKE KAN GLIDE NED AD EN SKRÅNING.

MONTERING/FJERNELSE AF BATTERIPAKKEN (Fig. E3 – E6)

For at starte denne traktor, skal du bruge EGO-batterier på i alt 15 Ah (2 X BA4200/BA4200T) eller derover. For at opnå den bedste ydelse, anbefales det at bruge EGO-batteri på i alt 30 Ah eller derover.

E3-1	Knap til frigørelse af dækslet	E5-1	Knap til frigørelse af batteri
------	--------------------------------	------	--------------------------------

OPLADNING AF TRAKTOREN

Brug kun produktet med anbefalede batteripakker og opladere.

- Oplad batteripakken(e) separat (fig. E7)
- **BEMÆRK:** Læs mere i vejledningerne til batteriet og opladeren.
- Oplad batteripakken/batterierne via opladningsstikket (fig. E8-E10)

E10-1	Støvhætte	E10-2	Opladningsstik
-------	-----------	-------	----------------

TEST AF SIKKERHEDSSLÅSESYSTEMET

- Sådan testes dæk-klingsystemet (fig. E11 – E12)
- Sådan testes køresystemet (fig. E13 – E14)

Hvis dæk-klingsystemet og/eller drivsystemet ikke stopper, når brugeren har rejst sig fra sædet, og hvis årsagen ikke kan findes efter stikforbindelserne til sædet er blevet kontrolleret, bedes du kontakte dit EGO kundeservicecenter øjeblikkeligt.

KOMMUNIKATIONSTEKNOLOGI

For yderligere oplysninger og for at se hele udvalget af forbundne produkter og tjenester, herunder forbindelsesvejledninger, skal du scanne QR-koden nedenfor eller gå på www.egopowerplus.eu/connect.



TJEKLISTE INDEN BRUG

- Sørg for, at der ikke er nogen børn, personer eller kæledyr i området.
- Ryd arbejdsområdet for genstande, der kan slynges væk af klingerne.
- Fjern skidt på traktoren.
- Kontroller for løse skruer.
- Kontroller, at alle skærmene er på plads og at de virker ordentligt.
- Se, om der er nok af luft i dækkene.
- Se om bremsen virker.
- Juster dækket til klippehøjden, der passer bedst til plænen, og juster skalperingshjul i overensstemmelse hermed.
- Juster sædepositionen, og sørg for, at begge pedaler kan nås.
- Sørg for, at batteriet er ladet nok op.

- Test sikkerhedslåsesystemet.
- Sørg for at græsbeholderen sættes rigtigt på.

SÅDAN STARTES TRAKTOREN (Fig. E15 – Fig. E16)

⚠ ADVARSEL: Undgå pludselig start, stop og sving. Kør ikke for hurtigt, især hvis du ikke er bekendt med traktoren. Traktoren kan dreje så skarpt, at du nemt kan miste kontrollen over den, hvilket kan føre til alvorlige personskader og/eller andre skader.

⚠ ADVARSEL: Før traktoren startes, skal du sørge for at klingerne afbrydes inden for 5 sekunder, når PTO-kontakten trykkes nedad. Hvis klingerne ikke stopper, må traktoren ikke bruges og du bedes straks kontakte EGO kundeservice.

BEMÆRK:

- Hvis parkeringsbremsepedalen er sat i parkeringsbremseindstillingen, skal du blot holde start/stop-knappen nede i 3 sekunder for at tænde LCD-skærmen, og derefter slippe parkeringsbremsepedalen, hvorefter du kan køre med traktoren.
- Klingerne kan altid startes, når LCD-skærmen lyser helt, og retningshåndtaget ikke er trukket bagud i retningen "R". For at starte klingerne, når du bakker med traktoren, skal du læse afsnittet "**START AF KLINGERNE, NÅR DU BAKKER**" i denne vejledning.

BEMÆRK: Sæt traktoren på den laveste kørehastighed, som beskrevet i fig. E17, indtil du ved hvordan traktoren skal håndteres i alle situationer.

Den elektriske havetraktor husker ikke indstillingerne for kørehastigheden eller klingehastigheden. Kørehastigheden og klingehastigheden går tilbage til trin 2, hver gang traktoren slukkes.

Justering af kørehastigheden (fig. E17)

Justering af klingehastighed (fig. E18)

BEMÆRK: Når traktoren står på "Trin 3", skal du trykke på knappen til justering af klingehastigheden igen, hvorefter klingehastigheden sættes på den tidligere hastighed.

LED-lygter (fig. E19)

- LED-forlygterne kan tændes og slukkes med LED-lyskontakten.

USB-port

BEMÆRK: USB-porten oplader med 5V jævnstrøm (DC) og en sammenlagt ampere på 1,5A. Den virker kun, når traktoren er startet

STOPNING AF TRAKTOREN (Fig. E20)

⚠ ADVARSEL: Sæt altid parkeringsbremsepedalen i parkeringsbremseindstillingen, hvis traktoren holder op med at køre på en skråning, ellers kan traktoren glide ned ad skråningen, hvilket kan føre til alvorlig skade på traktoren eller personskade!

BEMÆRK: I en situation, hvor parkeringsbremsepedalen er sat i parkeringsbremseindstillingen, og føreren har forladt sædet, men batteripakkerne ikke er taget ud:

- Hvis LCD-skærmen slukker, lyser batteri-indikatorerne, start/stop-knappen og CCS-knappen fortsat i 1 time.
- Hvis LCD-skærmen viser "brændstofmåler" eller brugergrænsefladen, slukker traktoren automatisk efter 1 time.

Kør hjem-funktion

Når batteriniveauet bliver kritisk lav, går traktoren på Kør hjem-funktionen for, at bevare nok strøm til at køre tilbage til opladningsområdet.

- Klingerne skifter til lav drejehastighed, hvilket kun klipper en smule græs. Når klingerne støder på højt og tæt græs, holder knivene de op med at dreje. Lydindikatoren bipper gentagne gange.
- Traktorens statusindikator blinker rødt hvert sekund, og både advarselssymbolet (lavt strømforbrug) og symbolet for hvert optaget batterirum blinker.

Brugeren skal:

- Tryk PTO-kontakten nedad for, at slukke for klingemotorerne. Lydindikatoren holder op med at bippe, når klingemotorerne stopper.
- Stop arbejdet og kør til opladningsområdet så hurtigt som muligt. Traktoren kan køre op til 1000 meter.

Hvis batteriet er ved at løbe tør for strøm, blinker både alarmikonet og ikonet til hver brugt batterikammer hver halve sekund. Traktoren holder straks op med at køre. Brugeren skal transportere traktoren til opladningsområdet, og oplade den.

BEMÆRK: Hvis traktoren skal skubbes manuelt, skal du sørge for at batterierne er afbrudt og at parkeringsbremsepedalen er sluppen.

SÅDAN KØRER DU PÅ TRAKTOREN (Fig. E21)

⚠ FARE: Hold dig mindst to klippebredder væk fra grøfter, fald og vand. Forhjulene kan dreje, når traktoren er stoppet, selv når bremsen bruges. Dette kan få traktoren til, at køre over en kant eller i vandet, hvilket kan være livsfarligt eller føre til alvorlige personskader.

⚠ ADVARSEL: Traktoren må ikke bruges på offentlige veje.

⚠ ADVARSEL: Hvis plæneklipperen blokeres, eller du rammer et fremmedlegeme, skal du stoppe motorerne og tage batterierne ud. Fjern græsset, bladene, skidt og andet affald. Se traktoren efter for skader og reparer skaden, før traktoren startes og bruges igen.

BEMÆRK:

- Hvis du forlader sædet under kørslen, slukker traktorens statusindikator. Når du begynder at køre igen, skal du læne dig tilbage på sædet og trække parkeringsbremsepedalen helt ned, hvorefter traktorens statusindikator begynder at lyse grøn.
- Når du skifter mellem fremad kørsel og bakning under kørslen, skal du trække retningshåndtaget direkte fra den ene ende til den anden uden at stoppe i neutral, ellers kan traktoren holde op med at køre.

SÅDAN BRUGES FARTPILOTEN (CCS)

Sådan slås (indkobles) fartpiloten til (CCS) (fig. E22)

BEMÆRK: Kørehastigheden, der står på LCD-skærmen, er muligvis ikke traktorens nøjagtige kørehastighed, når fartpiloten bruges. Tryk på hastighedsjusteringsknappen for at "opdatere" kørehastigheden på LCD-skærmen.

Fartpiloten (CCS) kan stoppes på en af følgende tre måder:

- Træd gaspedalen helt i bund og hold den i bund. Herefter stopper fartpiloten, og traktoren fortsætter med at køre.
- Træd let på gaspedalen, og slip den. Herefter stopper traktoren og fartpiloten.
- Tryk på fartpilot-knappen (CCS). Herefter stopper traktoren og fartpiloten.

DK

BEMÆRK: Når du stopper fartpiloten, forsvinder ikonet "Ⓢ" på LCD-skærmen, og der lyder to biplyde.

BEMÆRK: Hvis parkeringsbremsepedalen trædes ned, stopper traktoren, men ikonet "Ⓢ" blinker fortsat på LCD-skærmen for at vise, at fartpiloten er på standby. I dette tilfælde skal du slippe parkeringsbremsepedalen og trykke på fartpilot-knappen (CCS). Traktoren genoptager automatisk kørslen, og ikonet "Ⓢ" holder op med at blinke.

START AF KLINGERNE, NÅR DU BAKKER

BEMÆRK: Det anbefales ikke at klippe i bakgear.

⚠ ADVARSEL: Vær yderst forsigtig, når du klipper i bakgear. Hold altid andre personer uden for arbejdsområdet, især små børn, både før og under klipning i bakgear.

⚠ ADVARSEL: Brugeren udsyn kan forringes, når beholdersættet sættes på traktoren. Du skal være meget forsigtig og du skal holde meget øje med omgivelserne både før og under klipning i bakgear.

Sådan sættes traktoren på KLIPNING I BAKGEAR (E23)

KLIPNING I BAKGEAR kan stoppes på en af følgende fire måder:

- Tryk én gang på knappen KLIPNING I BAKGEAR.
- Let dig fra traktorsædet.
- Hold start/stop-knappen nede i 3 sekunder for at slukke LCD-skærmen.
- Fjern sikkerhedsnøglen, eller fjern batteripakkerne for at slukke traktoren.

BEMÆRK: Når KLIPNING I BAKGEAR er stoppet, lyser ikonet "Ⓢ" på LCD-skærmen.

TØMNING AF GRÆSBEHOLDEREN (Fig. E24)

BEMÆRK: Hvis ikonet "Ⓢ" blinker på LCD-skærmen, er græsbeholderen fuld. Tøm græsbeholderen, hvorefter ikonet "Ⓢ" forsvinder på LCD-skærmen.

BEMÆRK: Græsbeholderen skal sættes rigtigt på traktoren, ellers kan klingemotoren ikke startes, når traktoren køre.

VEDLIGEHOLDELSE

⚠ ADVARSEL: Bær altid beskyttelsesbriller med sidebeskyttelse. Hvis disse ikke bruges, kan du få genstande slynget i øjnene, hvilket kan føre til alvorlige skader.

⚠ ADVARSEL: Din hænder skal altid beskyttes med kraftige handsker eller ved at pakke klingen ind i en klud eller anden materiale, hvis klingens skal repareres eller på anden måde vedligeholdes. Sikkerhedsnøglen og batteripakkerne skal altid tages ud, hvis traktoren skal repareres eller transporteres et andet sted hen.

ANBEFALET TIDSPLAN FOR VEDLIGEHOLDELSE

Vedligeholdelse	Vedligeholdelsesprocedure
Før hvert brug eller dagligt	<ul style="list-style-type: none"> ▪ Kontroller låsesystemet. ▪ Se, om der er nok af luft i dækkene. ▪ Undersøg klingerne. ▪ Se hele produktet efter for skader, manglende eller løse dele, såsom sideudstødningen, skruer, møtrikker, bolte, hætter osv., og sørg for at alle skærme er på plads og virker ordentligt. ▪ Se, om gaspedalen kan trædes helt i bund og at den slipper rigtigt. ▪ Kontroller støddæmperen til rattet. Rattet skal drejes med en vis modstand.
Efter hvert brug	<ul style="list-style-type: none"> ▪ Rengør traktoren, og vask dækket.
Hver 25. time	<ul style="list-style-type: none"> ▪ Kontroller dæktrykket.
Hver 100. time	<ul style="list-style-type: none"> ▪ Kontroller baghjulene, og sørg for at alle hjulmøtrikkerne er spændt med det anbefalede drejningsmoment (101-103 Nm). ▪ Kontroller forhjulene, og sørg for at møtrikken er spændt med det anbefalede drejningsmoment (90-92 Nm).
Hver 200. time	<ul style="list-style-type: none"> ▪ Kontroller forhjulene, og sørg for at de drejer ordentligt.
Hvert halve år	<ul style="list-style-type: none"> ▪ Kontroller parkeringsbremsepedalen. Tag batteriet ud af traktoren, træk derefter parkeringsbremsens låsegreb op og træd på parkeringsbremsepedalen for at trække parkeringsbremsen. Skub traktoren fremad manuelt for at se, om den kan flyttes, uden at baghjulene drejer. Hvis traktoren flytter sig, og baghjulene drejer, skal du kontakte EGO's kundeservicecenter for reparation.

Før opbevaring	<ul style="list-style-type: none"> ▪ Tag batterierne ud af traktoren. ▪ Tag sikkerhedsnøglen ud af traktoren. ▪ Gennemgå alle vedligeholdelsesprocedurerne ovenfor, og rengør traktoren grundigt. ▪ Undersøg hele produktet for beskadigede, manglende eller løse dele. Og udskift eller stram påvirkede dele før opbevaring.
Årligt	<ul style="list-style-type: none"> ▪ Smør akselmufferne på forhjulene.

GENEREL VEDLIGEHOLDELSE

Tømning af græsset (fig. F1 – F3)

Rengøring af traktorens kabinet (fig. F4)

Sådan bruges skyllehullet til at rengøre traktordækket (fig. F5 – F6)

F5-1	Skyllehul	F5-2	Lynkobling til skyllehul
F5-3	Haveslange		

BEMÆRK: Når du er færdig med rengøringen, skal du slukke traktoren helt og derefter fjerne haveslangen og lynkoblingen.

VEDLIGEHOLDELSE AF TRAKTORDÆKKET OG KLINGERNE

Forberedelse (fig. G1)

Sådan tager du dækket af (fig. G2 – G3)

G2-1	Motorkabel	G2-2	Split
G2-3	Affjedringsforbindelse		

Skift af skæreklingerne (fig. G4 – G6)

G4-1	Stabilisator	G5-1	Bolt
G5-2	Spændeskive	G5-3	Klinge
G5-4	Flange	G5-5	Motoraksel

Nivellering af dækket

- Hvornår skal dækket nivelleres? (fig. G7 / fig. G8 / fig. G9)**
- Inden nivellering**
 - Kontroller dæktrykket (koldt) (fig. G10)
 - Kontroller klingerne. Fjern og skift nedslidte, revnede og/eller bøjede klinger efter behov.
- Forberedelse til nivellering (fig. G11)**
- Sådan nivelleres dækket**
 - Sådan justeres dækket fra side til side (fig. G12)
 - Sådan justeres dækkets forende og bagende (fig. G13)

OPBEVARING OG TRANSPORT

TRANSPORT AF TRAKTOREN (Fig. H1 – H5)

H2-1	Ramper	H2-2	Stropper
------	--------	------	----------

BEMÆRK: Spænd traktoren ordentligt fast med stropper eller kabler, så den ikke flytter sig under transport.

OPBEVARING (Fig. I1 – I2)

BEMÆRK: Fjern batteripakkerne og opbevar dem separat, som beskrevet i de medfølgende vejledninger.

Rengør traktoren og se den efter for skader før opbevaring, som beskrevet i afsnittene "GENEREL VEDLIGEHOLDELSE" og "ANBEFALETTIDSPLAN FOR VEDLIGEHOLDELSE".

Beskyttelse af miljøet




WEEE (Waste Electrical and Electronic Equipment) Elektrisk udstyr, batterioplader og batterier må ikke smides ud sammen med almindelig husholdningsaffald! Tag dette produkt til en autoriseret genbrugsplads, og sørg for at det sendes til genbrug. Elektriske værktøjer skal returneres til et miljøkompatibelt genvindingsanlæg.

DK

FEJLFINDING

DK

PROBLEM	ÅRSAG	LØSNING
Den elektriske havetraktor kører ikke, når der trædes på gaspedalen.	<ul style="list-style-type: none"> Den samlede Ah-værdi på batterierne, der er sat i, er ikke nok. 	<ul style="list-style-type: none"> For at starte traktoren, skal du bruge nok EGO-batterier, som beskrevet i afsnittet "MONTERING/FJERNELSE AF BATTERIPAKKEN" i denne vejledning.
	<ul style="list-style-type: none"> Parkeringspedalen er slået til. 	<ul style="list-style-type: none"> Træd parkeringspedalen helt ned for at slippe parkeringsbremsen.
	<ul style="list-style-type: none"> Traktorens statusindikator lyser ikke grøn. 	<ul style="list-style-type: none"> Træd på parkeringsbremsepedalen og slip den. Traktoren statusindikator lyser grøn, hvilket betyder at traktoren er klar til at starte.
	<ul style="list-style-type: none"> Brugeren sidder ikke på sædet. 	<ul style="list-style-type: none"> Traktoren kan kun bruges, når brugeren sidder rigtigt på sædet.
	<ul style="list-style-type: none"> Sædets sikkerhedslåsesystem er ikke ordentligt forbundet. 	<ul style="list-style-type: none"> Tag batterierne ud af traktoren, og løft bagsiden af sædet op for at se, om kabelstikket er ordentligt forbundet til stikket på bunden af sædet (se kapitlet "MONTERING AF SÆDET"). Følg instruktionerne i "SÅDAN STARTES TRAKTOREN" for at genstarte traktoren og se, om den kan startes. Hvis ikke, skal du kontakte EGO-s kundeservice for reparation.
	<ul style="list-style-type: none"> I meget koldt vejr starter kørefunktionen muligvis ikke på grund af beskyttelsesfunktionen mod lave temperaturer. 	<ul style="list-style-type: none"> Traktoren og batterierne skal altid opbevares i varme omgivelser. Start traktoren igen, når den er varmet op. Undlad at gøre gentagne forsøg i meget koldt vejr, da dette kan beskadige maskinen.
	<ul style="list-style-type: none"> Gaspedalens kørebane er tilstoppet med skidt. 	<ul style="list-style-type: none"> Fjern eventuelt skidt
	<ul style="list-style-type: none"> Fejl i gaspedalens mekaniske eller elektroniske komponenter. 	<ul style="list-style-type: none"> Kontakt EGO-s kundeservice for reparation.
Den elektriske havetraktor holder op med at køre.	<ul style="list-style-type: none"> Drejehåndtaget er sat i neutral. 	<ul style="list-style-type: none"> Tryk/træk retningshåndtaget i retning "D" eller "R".
	<ul style="list-style-type: none"> Når der skiftes mellem fremad kørsel og bakning under kørsel, er retningshåndtaget i neutral i for lang tid. 	<ul style="list-style-type: none"> Slip gaspedalen og træd på den igen.
	<ul style="list-style-type: none"> Fejl i gaspedalens elektroniske komponenter. 	<ul style="list-style-type: none"> Kontakt EGO-s kundeservice for reparation.
	<ul style="list-style-type: none"> Sædekontaktens låsesystem blev afbrudt under kørsel i ujævnt terræn. 	<ul style="list-style-type: none"> Tag batterierne ud af traktoren, og løft bagsiden af sædet op for at se, om kabelstikket er ordentligt forbundet til stikket på bunden af sædet (se kapitlet "MONTERING AF SÆDET"). Følg instruktionerne i "SÅDAN STARTES TRAKTOREN" for at genstarte traktoren og se, om den kan startes. Kontakt EGO-s kundeservice for reparation.
	<ul style="list-style-type: none"> Førerens vægt er ikke jævnt fordelt på sædet. Førerens vægt på sædet skal være mindst 20 kg for, at sædets sikkerhedslåsesystem kan virke ordentligt. 	<ol style="list-style-type: none"> Sæt dig ordentligt på sædet, træd parkeringsbremsepedalen helt i bund og slip den, hvorefter traktoren klar til at køre. Tag batterierne ud og sæt den i igen, hvis nødvendigt.
<ul style="list-style-type: none"> Når parkeringsbremsepedalen trædes nok ned, men ikke låses i parkeringsindstillingen, stopper traktoren. 	<ul style="list-style-type: none"> Følg instruktionerne i "SÅDAN STARTES TRAKTOREN" for at genstarte traktoren. 	

PROBLEM	ÅRSAG	LØSNING
<p>Den elektriske havetraktor starter ikke klingerne, når PTO-kontakten tændes.</p> <p> Ikonet til PTO-kontakten blinker.</p>	<ul style="list-style-type: none"> Den samlede Ah-værdi på batterierne, der er sat i, er ikke nok. 	<ul style="list-style-type: none"> For at starte traktoren, skal du bruge nok EGO-batterier, som beskrevet i afsnittet "MONTERING/FJERNELSE AF BATTERIPAKKEN" i denne vejledning.
	<ul style="list-style-type: none"> PTO-kontakten blev ikke trykket ned sidste gang traktoren blev slukket. 	<ul style="list-style-type: none"> Tryk PTO-kontakten ned og op for, at starte klingemotorerne igen.
	<ul style="list-style-type: none"> Traktoren overbelastes, når klingerne begynder at dreje, hvilket sætter klingemotorens beskyttelsesfunktion i gang. 	<ul style="list-style-type: none"> Start først traktoren på en lav klingehastighed, og accelerer ikke klingehastigheden, før klinger drejer rundt.
	<ul style="list-style-type: none"> I meget koldt vejr starter klingemotoren muligvis ikke på grund af beskyttelsesfunktionen mod lave temperaturer. 	<ul style="list-style-type: none"> Traktoren og batterierne skal altid opbevares i varme omgivelser. Start traktoren igen, når den er varmet op. Undlad at gøre gentagne forsøg i meget koldt vejr, da dette kan beskadige maskinen.
	<ul style="list-style-type: none"> Klingen rammer et deformeret traktordæk 	<ul style="list-style-type: none"> Kontakt EGO's kundeservice for reparation.
	<ul style="list-style-type: none"> Græsbeholderen er ikke sat rigtigt på. 	<ul style="list-style-type: none"> Sæt græsbeholderen rigtigt på, som beskrevet i afsnittet "MONTERING AF GRÆSBEHOLDEREN" i vejledningen.
<p>Klingerne holder op med at dreje, når græsset klippes.</p>	<ul style="list-style-type: none"> Traktoren er overbelastet. 	<ul style="list-style-type: none"> Hæv dækkets klippehøjde, eller sænk kørehastigheden, så traktoren ikke overbelastes.
	<ul style="list-style-type: none"> Dækket er tilstoppet med græs og skidt. 	<ul style="list-style-type: none"> Rengør dækket, og sørg for at klingen kan dreje rundt uden modstand.
	<ul style="list-style-type: none"> Traktoren er overophedet. 	<ul style="list-style-type: none"> Reducer traktorens belastning ved at hæve klippehøjden på dækket, eller sænk klinge- eller kørehastigheden og lad traktoren køle ned.
	<ul style="list-style-type: none"> Batteripakkerne i traktorens batterikammer er overophedet, hvilket gør at alle de indsatte batteriers samlede Ah-værdi ikke møder kravene. 	<ol style="list-style-type: none"> Traktoren kan fortsætte med at køre, hvis batteriernes samlede Ah-værdi, undtagen et overophedet batteri, er lig med eller over den påkrævede mængde. Når det overophedede batteri er tilbage på sin normale temperatur, går det straks i gang med at tænde traktoren. Hvis batteripakkernes samlede Ah-værdi ikke møder kravene, virker traktoren ikke, før der sættes flere batteripakker i de ledige batterikamre. Reducer traktorens belastning ved at hæve klippehøjden på dækket eller sænke farten, når arbejdet genoptages.
	<ul style="list-style-type: none"> Traktoren er på Kør hjem-funktionen. 	<ul style="list-style-type: none"> Når traktoren er på Kør hjem-funktionen, begynder klingerne automatisk at køre langsomt. Brugeren skal stoppe arbejdet og køre til batteriopladningsområdet så hurtigt, som muligt.
	<ul style="list-style-type: none"> Traktoren bliver ramt af et fremmedlegeme, hvilket gør at motorens beskyttelsesfunktion udløses. 	<ul style="list-style-type: none"> Tryk PTO-kontakten ned og op for, at starte klingemotorerne igen.
	<ul style="list-style-type: none"> Traktoren bakker og ikonet KLIPNING I BAKGEAR lyser på LCD-skærmen. 	<ul style="list-style-type: none"> Tryk PTO-kontakten ned, og start klingemotorerne igen, som beskrevet i afsnittet "Sådan sættes traktoren på KLIPNING I BAKGEAR".

PROBLEM	ÅRSAG	LØSNING
Lydindikatoren bliver ved med at bippe.	<ul style="list-style-type: none"> Traktoren er på Kør hjem-funktionen, og klingerne slås ikke fra. 	<ul style="list-style-type: none"> Tryk PTO-kontakten ned for, at slukke for klingemotorerne. Lydindikatoren holder op med at lyde, når klingemotorerne slukkes.
	<ul style="list-style-type: none"> Traktoren holder op med at køre på en skråning, og føreren rejser sig fra sædet, uden at slå parkeringsbremsepedalen til. 	<ul style="list-style-type: none"> Slås parkeringsbremsepedalen til, før du forlader traktoren, hvis den står på en skråning.
DK Strømindikatorerne på batteripakkerne lyser stadig, når traktoren er slukket.	<ul style="list-style-type: none"> Når traktoren slukkes på et plant underlag og batteripakkerne ikke tages ud af traktoren, lyser strømindikatorerne i et stykke tid. 	<ul style="list-style-type: none"> Du skal ikke gøre noget. Batteri-indikatorerne slukker, når traktoren slukkes efter et stykke tid. Se afsnittet "SÅDAN STOPPES TRAKTOREN" i en bestemt tidsperiode.
	<ul style="list-style-type: none"> Hvis traktoren slukkes, når den står på en skråning og parkeringsbremsen ikke slås til, bliver strømindikatorerne på batteripakkerne ved med at lyse, indtil batteriet løber tør for strøm. Lydindikatoren bliver ved med at bippe på samme tid. 	<ul style="list-style-type: none"> Slås parkeringsbremsepedalen til, før du forlader traktoren, hvis den står på en skråning. Ellers kan traktoren glide ned ad skråningen.
LCD-skærmen lyser ikke med alle ikonerne tændt.	<ul style="list-style-type: none"> Du holder ikke start/stop-knappen nede i lang tid nok. 	<ol style="list-style-type: none"> LCD-skærmen viser kun "brændstofmåleren", når der trykkes på start/stop-knappen. LCD-skærmen tænder, når parkeringsbremsepedalen trædes helt i bund og du trykker på start/stop-knappen i lang tid nok på samme tid.
	<ul style="list-style-type: none"> Hvis sikkerhedsnøgleikonet "←D" blinker på LCD-skærmen, er det fordi sikkerhedsnøglen ikke er sat i. 	<ul style="list-style-type: none"> Sæt sikkerhedsnøglen i, træd derefter parkeringsbremsepedalen helt i bund og hold start/stop-knappen nede i lang tid nok til at LCD-skærmen tænder.
	<ul style="list-style-type: none"> Hvis parkeringsbremseikonet "(P)" blinker på LCD-skærmen, er det fordi parkeringsbremsepedalen ikke trædes helt i bund. 	<ul style="list-style-type: none"> Sæt sikkerhedsnøglen i, træd derefter parkeringsbremsepedalen helt i bund og hold start/stop-knappen nede i lang tid nok til at LCD-skærmen tænder.
Traktoren klipper ujævnt, men stor højdeforskel på for- og bagenden.	<ul style="list-style-type: none"> Klingerne er sløve. 	<ul style="list-style-type: none"> Slib eller skift klingerne, som beskrevet i denne vejledning.
	<ul style="list-style-type: none"> Klingerne er bøjede. 	<ul style="list-style-type: none"> Udskift den bøjede klinge, som beskrevet i afsnittet "Skift af skæreklingerne".
	<ul style="list-style-type: none"> Dækket er ikke plan, så klippehøjden er ujævn. 	<ul style="list-style-type: none"> Niveller dækket ved, at følge instruktionerne i afsnittet "Nivellering af dækket".
Klippehøjden passer ikke med den indstillede klippehøjde.	<ul style="list-style-type: none"> Møtrikkerne på dækket har løsnet sig på affjedringsforbindelsen. 	<ul style="list-style-type: none"> Følg instruktionerne i afsnittet »Nivellering af dækkets« for at justere dækkets forende til bagende og spænd de fire møtrikker på affjedringsforbindelsen.
	<ul style="list-style-type: none"> Dækket er beskadiget eller meget nedslidt. 	<ul style="list-style-type: none"> Følg instruktionerne i afsnittet "Sådan tager du dækket af" for at skifte traktorens dæk.
Traktoren klipper ikke ordentligt.	<ul style="list-style-type: none"> En samling af vådt græs sidder fast på undersiden af dækket. 	<ul style="list-style-type: none"> Vent med at slå græsset indtil det er tørt.
	<ul style="list-style-type: none"> Traktoren er indstillet til at klippe for meget græs på én gang. 	<ul style="list-style-type: none"> Hæv dækkets klippehøjde.

PROBLEM	ÅRSAG	LØSNING
Overdreven vibration.	<ul style="list-style-type: none"> ▪ Klingerne sidder løse. 	<ul style="list-style-type: none"> ▪ Spænd klingeboltene til det anbefalede drejningsmoment.
	<ul style="list-style-type: none"> ▪ Klingerne er bøjedede. 	<ul style="list-style-type: none"> ▪ Udskift den bøjedede klinge, som beskrevet i afsnittet “Skift af skæreklingerne”.
	<ul style="list-style-type: none"> ▪ Dækket er ikke plant. 	<ul style="list-style-type: none"> ▪ Niveller traktordækket ved, at følge instruktionerne i afsnittet “Nivellering af dækket”.
	<ul style="list-style-type: none"> ▪ Møtrikkerne på dækket har løsnet sig på affjedringsforbindelsen. 	<ul style="list-style-type: none"> ▪ Spænd møtrikkerne på ophænget.
	<ul style="list-style-type: none"> ▪ Dækket er indstillet til at klippe for meget græs på én gang. 	<ul style="list-style-type: none"> ▪ Hæv dækkets klippehøjde.
Der er græs eller skidt, der bliver på græsset efter det er blevet klippet.	<ul style="list-style-type: none"> ▪ Dækket er indstillet til at klippe for meget græs på én gang på højt græs. 	<ul style="list-style-type: none"> ▪ Start med en høj klippehøjde, og sænk den løbende, indtil det ønskede klipperesultat er nået. Græs over 152 mm højt skal slås to gange med lavere klippehøjde hver gang.
	<ul style="list-style-type: none"> ▪ Græsset er vådt. 	<ul style="list-style-type: none"> ▪ Klip ikke græsset, når det er vådt. Vent, til græsset tørrer.
	<ul style="list-style-type: none"> ▪ Du kører for hurtigt med plæneklipperen. 	<ul style="list-style-type: none"> ▪ Sænk kørehastigheden.
	<ul style="list-style-type: none"> ▪ Klingehastigheden er lav. 	<ul style="list-style-type: none"> ▪ Forøg klingehastigheden gradvist.
Traktorens driftstid er kort ved brug af de medfølgende batterier.	<ul style="list-style-type: none"> ▪ Græsplænenes terræn, græsforhold, klippehøjdeindstilling, kørehastighed, klingehastighed osv. påvirker i høj grad køretiden. 	<ul style="list-style-type: none"> ▪ Hæv klippehøjden, og sænk klingehastigheden, så plæneklipperen belastes mindre.
Traktoren sporer ikke lige.	<ul style="list-style-type: none"> ▪ Dæktrykket i venstre og højre hjul er ikke ens. 	<ul style="list-style-type: none"> ▪ Mål dæktrykket og juster det på begge baghjul så det passer til oplysningerne i afsnittet “SPECIFIKATIONER” i denne vejledning.
Parkeringsbremsepedalen kan ikke slippes eller den springer langsom tilbage.	<ul style="list-style-type: none"> ▪ Parkeringsbremsepedalens kørebane er tilstoppet med skidt. 	<ul style="list-style-type: none"> ▪ Fjern eventuelt skidt.
Traktoren kan ikke oplades via opladningsstikket, når traktorens statusindikator lyser rød.	<ul style="list-style-type: none"> ▪ Opladerens stik er ikke sat ordentligt i opladeren på traktoren. 	<ul style="list-style-type: none"> ▪ Sæt opladerstikket i igen for at se, om traktoren kan oplades normalt.
	<ul style="list-style-type: none"> ▪ Der er ingen strøm i stikkontakterne. 	<ul style="list-style-type: none"> ▪ Du skal ikke gøre noget. Vent, indtil strømmen kommer tilbage.
	<ul style="list-style-type: none"> ▪ Opladeren virker ikke. 	<ul style="list-style-type: none"> ▪ Kontakt EGO's kundeservicecenter og få opladeren kontrolleret og/eller repareret af en fagperson, hvis nødvendigt.
	<ul style="list-style-type: none"> ▪ Opladerstikket på traktoren er defekt. 	<ul style="list-style-type: none"> ▪ Kontakt EGO's kundeservice for reparation.
Det tager for lang tid at oplade traktoren via opladningsstikket.	<ul style="list-style-type: none"> ▪ Opladningen tager lang tid, når en EGO-adapter ACA1000 bruges. 	<ul style="list-style-type: none"> ▪ Brug EGO-opladeren CHV1600E til at oplade den elektriske havetraktor.
Batterierne kan ikke oplades helt via traktorens opladningsstik.	<ul style="list-style-type: none"> ▪ Firmwarefejl i traktoren eller batteripakken, eller fejl i opladeren. 	<ul style="list-style-type: none"> ▪ Nulstil opladeren ved at trække stikket ud og vente i et par minutter. Sæt derefter stikket i strømforsyningen igen. Hvis dette ikke løser problemet, skal du ringe til EGO's kundeservice.
Traktoren kan ikke startes efter rengøring.	<ul style="list-style-type: none"> ▪ Forkert rengøring, såsom vand, der kommer på de elektriske komponenter, LCD-skærm osv. 	<ol style="list-style-type: none"> 1. Du kan se, hvordan traktoren skal rengøres i afsnittet “GENEREL VEDLIGEHOLDELSE”. 2. Hvis traktoren ved et uheld har stået i regnen, skal du lade stå og lufttørre, eller tør den med trykluft.
Dækket bliver hurtigt tilstoppet.	<ul style="list-style-type: none"> ▪ Dækket blev ikke rengjort ordentligt efter brug. 	<ul style="list-style-type: none"> ▪ Rengør traktordækket efter hver brug, som beskrevet i afsnittet “Sådan bruges skyllehullet til at rengøre traktordækket”.

PROBLEM	ÅRSAG	LØSNING
Traktoren mister let sin trækraft, når den kører op ad skråninger.	▪ Dækkene på baghjulene er slidt ned.	▪ Skift dækkene hos et lokalt servicecenter.
	▪ Der slås græs på en stejl skråning.	▪ Traktoren er ikke beregnet til at klippe på skråninger, der er stejlere end de oplyste grader.
Hvis traktoren standser på en skråning med parkeringsbremsepedalen slået til, kan traktoren rulle ned ad skråningen.	▪ Bremsedelene er for slidte på grund af forkert brug af traktoren.	▪ Kontakt EGO's kundeservice for reparation.
Der kommer ikke vand ud af skyllehullet, når du forsøger at vaske dækket.	▪ Hurtigkoblingen til skyllehullet er ikke sat rigtigt på skyllehullet.	▪ Tryk lynkoblingen i skyllehullet igen, indtil du hører et klik. Hvis dette ikke virker, skal du ringe til EGO's kundeservice.
En unormal lyd høres, når du skubber traktoren manuelt uden at starte den.	▪ Lyden kommer fra magneterne i drivmotoren.	▪ Dette er normalt og du skal ikke gøre noget.
Rattet kan ikke drejes.	▪ Ratsamlingen er tilstoppet med skidt.	▪ Fjern eventuelt skidt.
Traktoren drejer ikke til venstre/højre, når rattet drejes.	▪ Fejl i elektroniske eller mekaniske komponenter.	▪ Kontakt EGO's kundeservice for reparation.
Traktoren stopper ikke, når gaspedalen slippes.	▪ Gaspedalens returvej er tilstoppet med skidt.	▪ Fjern eventuelt skidt.
	▪ Fartpilot-knappen (CCS) trykkes ned ved et uheld under kørslen. Fartpiloten (CCS) er slået til på traktoren	▪ Se, om fartpilot-ikonet (CCS) lyser på LCD-skærmen, og afslut fartpiloten (CCS) efter behov. Se kapitlet » BRUG AF FARTPILOTEN (CCS) «
Fartpiloten (CCS) kan ikke slås til eller fra.	▪ Fartpilot-knappen (CCS) er ikke trykket rigtigt ned.	▪ Tryk på fartpilot-knappen (CCS), indtil fartpilot-ikonet (CCS) lyser eller forsvinder på LCD-skærmen.
Traktorens forhjul larmer meget, når de drejer	▪ Forhjulenes akselmuffer skal smøres.	▪ Tag batteripakkerne ud, og fyld derefter indsprøjtningshullerne op med fedt, indtil fedtet løber ud over overkanten eller underkanten på forhjulenes akselmuffer.

REFERENCE TIL TRAKTORENS STATUS



LCD-skærm	Beskrivelse	Traktorens status-indikator	Lydindikator	Årsag	Løsning
	Ikon for brændstofmåler	LYSER IKKE	Nej	Den angiver den gennemsnitlige opladningskapacitet på batterierne, der er sat i.	Dette er normalt. Du skal ikke gøre noget.
	Ikon for timemåler	LYSER IKKE	Nej	Den viser traktorens samlede køretid i timer. Den kan ikke nulstilles.	Dette er normalt. Du skal ikke gøre noget.
	Ikon for belastnings-indikatoren	LYSER IKKE	Nej	Den viser traktorens aktuelle belastning.	Dette er normalt. Du skal ikke gøre noget.
	Ikonet til LED-lygterne lyser på LCD-skærmen.	LYSER IKKE	Nej	Forlygterne tændes på LED-lyskontakten.	Dette er normalt. Du skal ikke gøre noget.
	Bluetooth-ikonet lyser på LCD-skærmen	LYSER IKKE	Nej	Traktoren er forbundet til en mobil enhed via Bluetooth.	Dette er normalt. Du skal ikke gøre noget.
	Ikonet for KLIPNING I BAKGEARK FRA lyser på LCD-skærmen.	LYSER IKKE	Nej	Dette betyder at klingerne ikke kan startes, når traktoren kører i bakgear.	Dette er normalt. Start klingerne, når du bakker, hvis nødvendigt. Dette kan gøres, som beskrevet i afsnittet " START AF KLINGERNE, NÅR DU BAKKER " i vejledningen.
	Køre-ikonet lyser på LCD-skærmen.	LYSER IKKE	Nej	Dette betyder at traktoren kan køres eller den kører fremad.	Dette er normalt. Sæt retningshåndtaget i "D", neutral eller "R" efter behov.
	Bak-ikonet lyser på LCD-skærmen.	LYSER IKKE	Nej	Dette betyder at traktoren kan køres eller at den bakker.	
	Køre-ikonet og bak-ikonet blinker skiftevis	LYSER IKKE	Nej	Dette betyder at traktoren ikke kan køres.	
	Sikkerhedsnøgle-ikonet lyser	LYSER IKKE	Nej	Sikkerhedsnøglen er sat rigtigt i.	Dette er normalt. Du skal ikke gøre noget.
	Sikkerhedsnøgle-ikonet blinker, når LCD-skærmen viser "brændstofmåleren".	LYSER IKKE	Nej	Sikkerhedsnøglen er ikke sat i. Nøglekassen er gået i stykker.	Sæt sikkerhedsnøglen i, tråd parkeringsbremsepedalen helt i bund og hold START/STOP-knappen nede i mindst 3 sekunder på samme tid for at tænde traktoren. Kontakt EGO's kundeservice for reparation.

DK

LCD-skærm	Beskrivelse	Traktorens status-indikator	Lyndikator	Årsag	Løsning
	Parkeringsbremseikonet blinker, når LCD-skærmen viser "brændstofmåleren".	LYSER IKKE	Nej	Parkeringsbremsepedalen er ikke trådt ned.	Sæt sikkerhedsnøglen i, tråd parkeringsbremsepedalen helt i bund og hold START/STOP-knappen nede i mindst 3 sekunder på samme tid for at tænde traktoren.
	Parkeringsbremseikonet blinker, når LCD-skærmen viser brugergrænsefladen.	LYSER IKKE	Nej	Tråd på gaspedalen, før du træder på parkeringsbremsepedalen for at få traktorens indikator til at lyse grøn.	Start traktoren rigtigt, som beskrevet i afsnittet " SÅDAN STARTES TRAKTOREN ".
	Parkeringsbremse-ikonet lyser	LYSER IKKE	Nej	Parkeringsbremsepedalen er slået til.	Slip den før du starter traktoren.
	Sædesensor-ikonet lyser	LYSER IKKE	Nej	Føreren har forladt sædet, eller sædets sikkerhedslåsesystem er afbrudt.	Hvis brugeren sidder på sædet og ikonet lyser, skal du straks stoppe traktoren og kontrollere sædetilslutningen. Hvis sædeforbindelsen med traktoren virker, skal du kontakte en servicetekniker for reparation.
	Ikonet til PTO-kontakten blinker	LYSER IKKE	Nej	Klingemotoren er blevet afbrudt og PTO-kontakten er ikke slået fra.	Før traktoren startes igen, skal du trykke PTO-kontakten ned for at slukke klingemotorerne. Se afsnittet " FEJLFINDING " i denne vejledning.
	Ikonet for et bestemt batterikammer blinker.	LYSER IKKE	Nej	Et af batterierne er overophedet.	Du skal ikke gøre noget. Traktoren kan fortsætte med at køre, hvis batteriernes samlede Ah-værdi, undtagen et overophedet batteri, er lig med eller over 15 Ah. Når det overophedede batteri får en normal temperatur igen, strømforsyner det igen traktoren, og ikonet forsvinder.
	Ikonet til et tomt batterikammer blinker	LYSER IKKE	Nej	Der er ikke nok batteristrøm til at traktoren kan køre.	For at starte traktoren, skal du bruge nok EGO-batterier, som beskrevet i afsnittet " MONTERING/FJERNELSE AF BATTERIPAKKEN " i denne vejledning.
	Temperatur-ikonet og batterikammerne, der er i brug, blinker på samme tid.	LYSER IKKE	Nej	Batteripakken i det angivne batterikammer er overophedet.	<ol style="list-style-type: none"> 1. Traktoren kan fortsætte med at køre, hvis batteriernes samlede Ah-værdi, undtagen et overophedet batteri, er lig med eller over den påkrævede mængde. Når det overophedede batteri er tilbage på sin normale temperatur, går det straks i gang med at tænde traktoren. 2. Hvis batteripakkernes samlede Ah-værdi ikke møder kravene, virker traktoren ikke, før der sættes flere batteripakker i de ledige batterikamre. 3. Reducer traktorens belastning ved at hæve klippehøjden på dækket eller sænke farten, når arbejdet genoptages.

DK

LCD-skærm	Beskrivelse	Traktorens status-indikator	Lydindikator	Årsag	Løsning
	Temperaturikonet blinker.	LYSER IKKE	En biplyd	Traktoren er overophedet.	Reducer traktorens belastning ved at hæve klippehøjden på dækket, eller sænk klinger eller kørehastigheden. Tag en pause, og lad traktoren køle ned.
				Traktoren er for kold.	Undgå, at gøre dette gentagne gange, da dette kan beskadige maskinen. Traktoren og batterierne skal altid opbevares i varme omgivelser. Start traktoren igen, når den er varmet op.
	Advarselsikonet blinker	Blinker rød	En biplyd	Klingemotoren er overbelastet.	Hæv dækkets klippehøjde, eller sænk kørehastigheden, så traktoren ikke overbelastes.
				Sideudstødningen er tilstoppet med græs og affald.	Rengør altid sideudstødningen efter brug.
				Noget er stilstopet mellem klingens og traktordækket.	Kontakt EGO's kundeservicecenter
 	Ikonerne for hvert optaget batterikammer og alarmikonet blinker hvert sekund på samme tid på LCD-skærmen.	Blinker rød	Bliver ved med at bippe indtil PTO-kontakten trykkes ned.	Batteristrømmen er lav og traktoren er på Kør hjem-funktionen.	Stop driften og kørsel til batteriopladningsområdet. BEMÆRK: Når traktoren er på Kør hjem-funktionen, begynder klingerne automatisk at køre langsomt, og en lydindikator bipper. Brugeren skal trykke PTO-kontakten nedad for, at slukke for klingemotorerne. Lydindikatoren holder op med at bippe, når klingerne stopper.
 	Ikonet for hvert optaget batterikammer og alarmikonet blinker hver halve sekund.	Blinker rød	Bliver ved med at bippe	Klingemotoren er blevet afbrudt og PTO-kontakten er ikke slået fra.	Traktoren holder straks op med at køre. Brugeren skal køre traktoren til batteriopladningsområdet og sætte den til opladning.
	Fartpilot-ikonet (CCS) lyser på LCD-skærmen	Lyser grøn	Nej	Traktoren fortsætter fremad med en indstillet hastighed, uden at du behøver at træde på gaspedalen.	Dette er normalt. Slå fartpiloten (CCS) fra, hvis nødvendigt. Dette gøres, som beskrevet i afsnittet " Sådan stopper du fartpiloten (CCS) " i vejledningen.
	Fartpilot-ikonet (CCS) blinker på LCD-skærmen.	LYSER IKKE	Nej	Fartpiloten (CCS) (cruise control system) virker ikke. Parkeringsbremsepedalen trædes på for at standse traktoren.	Fartpiloten (CCS) kan ikke indstilles, når traktoren kører med meget lav hastighed eller kører bagud. Når parkeringsbremsepedalen er sluppet, skal du trykke på fartpilot-knappen (CSS), hvorefter fartpilot-ikonet (CCS) lyser på LCD-skærmen, eller du skal slå fartpiloten (CCS) fra, som beskrevet i afsnittet " Sådan stopper du fartpiloten (CCS) ".

LCD-skærm	Beskrivelse	Traktorens status-indikator	Lydindikator	Årsag	Løsning
	Græsbeholder-ikonet lyser ikke på LCD-skærmen.	Ikke relevant	Nej	Dette betyder at græsbeholderen ikke er sat på traktoren eller ikke er sat rigtigt på traktoren.	Sæt græsbeholderen rigtigt på traktoren.
	Ikonet for fuld beholder blinker på LCD-skærmen	Ikke relevant	Nej	Dette betyder at græsbeholderen er fuld.	Tøm græsbeholderen, og sæt den ordentligt på igen.
Ikke relevant	Ikke relevant	LYSER IKKE	Bliver ved med at bippe	Traktoren er parkeret på en skråning, og brugeren forlader traktoren uden at slå parkeringsbremsepedalen til.	Slå parkeringsbremsepedalen til. Parkeringsbremseikonet lyser, og lydindikatoren holder op med at bippe.
LYSER IKKE	Opladningsstikket virker ikke	Lyser rød	Ikke relevant	Der er ingen strømforsyning.	Kontroller stikkontakten, og se om den forsyner 220V-240V, og om stikket virker.
		Lyser rød	Ikke relevant	Elektroniske fejl, såsom løs forbindelse i ladeporten, sikringen er sprunget og lignende.	Kontakt EGO's kundeservice for reparation.

DK

FEJLKODEREFERENCE

Beskrivelse	Fejlkode på LCD-skærmen	Lydindikator	Løsning
Venstre klingemotor drejer ikke	509	En biplyd	Undersøg først klingen. Hvis den har løsnet sig, skal du stramme boltene med det anbefalede moment. Hvis ikke, skal du kontakte EGO's kundeservice for reparation.
Højre klingemotor drejer ikke	609	En biplyd	

BEMÆRK: Hvis andre fejlkoder vises på LCD-skærmen, som kan indikere en PCBA-fejl, en løs forbindelse, en motorfejl i drivmotoren, en klingemotorer eller lignende, skal du tage alle batteripakkerne og sætte dem igen et par minutter senere. Starter herefter traktoren igen. Hvis dette ikke løser problemet, skal du skrive fejlkoden ned og kontakte EGO kundeservicecenter for reparation.

GARANTI

EGO GARANTI POLITIK

Besøg venligst hjemmesiden egopowerplus.eu for fuldstændige vilkår og betingelser for EGO's garantipolitik.

LÄS IGENOM ALLA INSTRUKTIONER!



LÄS IGENOM BRUKSANVISNINGEN

SÄKERHETSSYMBOL

Syftet med säkerhetssymboler är att uppmärksamma eventuella faror. Säkerhetssymbolerna och förklaringarna av dessa kräver din fullständiga uppmärksamhet och förståelse. Symbolvarningarna i sig eliminerar inte några faror. Instruktionerna och varningarna som ges är inte något substitut för korrekta åtgärder för förhindrande av olyckor.

⚠ VARNING: Var noga med att läsa igenom och förstå alla säkerhetsinstruktioner i denna bruksanvisning, inklusive alla varningssymboler såsom "FARA," "VARNING," och "FÖRSIKTIGHET" innan detta verktyg används. Underlåtenhet att läsa alla instruktioner som listas nedan kan resultera i elektrisk stöt, brand och/eller allvarlig personskada.

SE

SYMBOLBETYDELSE

Denna sida framställer och beskriver säkerhetssymboler som kan visas på denna produkt. Läs igenom, förstå och följ alla instruktioner på maskinen innan försök görs att montera och hantera den.

SÄKERHETSSYMBOLER

	Säkerhetslarm		Läs igenom och förstå bruksanvisningen
	Ögonskydd		Underhålla säkerhetsenheter
	FARA – Risk med brant sluttning		FARA – Håll åskådare undan från bladen
	Transportera aldrig barn		Titta bakåt när du backar
	VARNING - Använd inte denna maskin på sluttningar som är större än 12°		FARA – Ivägslungade föremål
	WARNING – HÅLL UN DAN HÄNDER OCH FÖTTER		Garanterad ljudeffektnivå. I enlighet med EU-direktivet.
	Kliv inte		Förbrukade elektriska produkter får inte kastas i hushållssoporna. Lämn a in dem till en auktoriserad återvinningsstation.
	Denna produkt är i enlighet med tillämplig EG-direktiv.		VARNING – Stirra inte in i påslagen lampa.
	Likström		Denna produkt uppfyller tillämpliga lagar i Storbritannien.

kPa	Kilopascal
V	Volt
in	Tum
Nm	Newtonmeter
°C	Celsius
km/h	Kilometer per timme

RPM	Varv per minut
m	Meter
cm	Centimeter
mm	Millimeter
kg	Kilogram
IPX4	Ingång skyddsgrad

SYMBOLER I DENNA HANDBOK

SE



Informationen måste noteras



Den angivna åtgärden stoppas

SPECIFIKATIONER

Spänning	56 V	
Däckstorlek	98 cm	
Hjulstorlek	Front	15 x 6 – 6 tum
	Bak	18 x 7,5 – 8 tum
Kallt däcktryck	Front	96,5 kPa
	Bak	170 kPa
Bladhastighet (RPM)	Upp till 3000	
Maximal körhastighet	Framåt	Upp till 9,6 km/h
	Bakåt	Upp till 4,8 km/h
Inställning klipphöjd (12 positioner)	25 – 100 mm	
Temperaturområde laddning	5 °C till 40 °C	
Driftstemperatur	0 °C – 40 °C	
Förvaringstemperatur	- 20 °C till 70 °C	
Vikt (utan batteripaket)	220 kg	
Uppmätt ljudeffektnivå L_{WA}	97,7 dB(A) K=1,75 dB(A)	
Ljudtrycksnivå vid operatörens öra L_{PA}	83,6 dB(A) K=3 dB(A)	
Garanterad ljudtrycksnivå L_{WA} (uppmätt enligt 2000/14/EG)	100 dB(A)	
Vibration a_h	Hand	0,24 m/s ² K=1,5 m/s ²
	Stomme	0,18 m/s ² K=1,5 m/s ²

- Det deklarerade totala vibrationsvärdet har uppmätts i enlighet med en standardtestmetod och kan användas för att jämföra ett verktyg med ett annat.
- Det deklarerade totala vibrationsvärdet kan också användas i en preliminär utvärdering av exponeringen.

UPPMÄRKSAMMA: Vibrationsutstrålningen under verklig användning av elverktyg kan skilja sig från det deklarerade värdet i vilken verktyget används. För att skydda användaren skall skyddshandskar och hörselskydd användas under faktiska användningsförhållandet.

REKOMMENDERADE TILLBEHÖR

⚠ VARNING: Använd endast tillbehör som anges nedan. Användning av delar som inte uppfyller originaldelarnas specifikationer kan leda till felaktig prestanda och riskera säkerheten.

ARTIKELNAMN	MODELLNUMMER
Uppsamling bladset	AB3801TD
Mulchingtillsats	AMP3800T

BESKRIVNING

LÄR KÄNNA TRAKTORN (Bild A1)

- Säte
- Kopphållare
- Bakhjul (drivhjul) (x2)
- Tvättport (x2)
- Däck
- Antiskalp-hjul (x2)
- Framhjul (x2)
- Främre stötfångare
- Parkeringsbromspedal
- LED-strålkastare (x2)
- Kraftenhet
- Förvaringsfack
- Parkeringsbromslåsspak
- Ratt
- Inställningsspak sätesposition
- Gräsuppsamlare

17. Laddningsuttag
18. USB-uttag
19. Förvaringskorg
20. Gaspedalen
21. Inställningsspak däckhöjd
22. Tippspak
23. Handtag
24. Traktorns statusindikator
25. Inställningsknapp bladhastighet
26. KLIPPA BAKÅT Knapp
27. Start-/Stopppknapp
28. Körriktningsspak
29. Säkerhetsnyckel
30. PTO-omkopplare
31. CCS-knapp
32. LED-ljusknapp / Bluetooth-knapp
33. Inställningsknapp körhastighet
34. Låsknapp lock till strömenhet
35. Lock strömenhet
36. Kraftenhet med sex batterifack
37. Låsknapp för batteriet

LÄR KÄNNA LCD-SKÄRMEN (Bild A2)

Se avsnitten "TRAKTORSTATUSREFERENS" och "FELKODSREFERENS" för mer information om ikoner och indikatorer på LCD-skärmen.

1. CCS-ikon
2. Statusindikator för säkerhetsanordning
3. KLIPPNING BAKÅT Ikon
4. Körikon
5. Ikon bakåt
6. Ikon säkerhetsnyckel
7. Ikon LED-lampa
8. Bluetoothikon
9. Indikatorer bladhastighet
10. Timmätare
11. Bränslemätare
12. Temperaturikon
13. Varningsikon (överbelastning/låg effekt)
14. Ikon för ledigt batterifack
15. Ikon upptaget batterifack
16. Indikator felkod
17. Belastningsindikator
18. Indikatorer körhastighet
19. Ikon för full säck
20. Ikon ingen säck

UPPACKNING

UPPMÄRKSAMMA: Spara förpackningsmaterialet tills du noggrant har inspekterat och tillfredsställande använt produkten. Om någon del i förpackningslistan är monterad på maskinen kontakta omedelbart EGO-service.

UPPMÄRKSAMMA: Förutom verktygen i nedanstående förpackningslista är alla andra verktyg som nämns i manualerna bara rekommendationer och medföljer inte.

FÖRPACKNINGSLISTA (Bild B)

B-1	Elektrisk gräsklippartraktor	B-2	Säte
B-3	Ratt	B-4	Dammlock
B-5	Kombinationskiftnycklar	B-6	18 mm Hylsnyckel
B-7	Sexkantsbultar (1 för backup)	B-8	M8 muttrar (1 för backup)
B-9	M12 muttrar (1 för backup)	B-10	Brickor (1 för backup)
B-11	Säkerhetsnyckel	B-12	Snabbkoppling tvättuttag
B-13	Bruksanvisning	B-14	Gräsuppsamlare (med två uppsättningar bult och mutter för sidofästen)
B-15	U-format fäste	B-16	Sidofäste
B-17	Tippspak	B-18	Vänster och höger stödfäste uppsamlare
B-19	Tvärstång	B-20	M8X40 Bult
B-21	M8X25 Bult	B-22	M8 mutter

SE

MONTERING

INSTALLERA RATTEN (Bild C1)

C1-1	Styrspakar	C1-2	Ratt
C1-3	Mittlinjen	C1-4	Bricka
C1-5	Mutter	C1-6	18 mm Hylsnyckel
C1-7	Dammskydd		

INSTALLERA SÄTET (Bild C2)

⚠ VARNING: Säkerhetsspärrsystemet får inte fränkopplas eller förbikopplas. Om så görs kan det orsaka att gräsklipparen arbetar oväntat och resultera i personskador.

C2-1	Säte	C2-2	Mutter (M8)
C2-3	Stegbult	C2-4	Uttag
C2-5	Kontakt		

INSTALLERA GRÄSUPPSAMLAREN (Bild C3 – C8)

C3-1	U-format fäste	C3-2	Uppsamlare
C3-2	4 uppsättningar bultar och muttrar (M8 X 40)	C3-4	Kombinationsskruvnyckel
C4-1	Sidofästen	C4-2	4 uppsättningar bultar och muttrar (M8 X 40)
C4-3	Kombinationsskruvnyckel	C5-1	Tippspak
C5-2	1 uppsättning bult och mutter (M8 X 40)	C5-3	Kombinationsskruvnyckel
C6-1	Stödfästen uppsamlare	C6-2	4 uppsättningar bultar och muttrar (M8 X 25)
C6-3	Kombinationsskiftnycklar	C7-1	Tvärstång
C7-2	2 muttrar (M8)	C7-3	Kombinationsskruvnyckel

SE

JUSTERING

FÖRE JUSTERING (Bild D1)

INSTÄLLNING AV KLIPPHÖJDEN (Bild D2)

INSTÄLLNING AV ANTISKALP-HJULEN (Bild D3 – D6)

D3-1	Antiskalp-hjul	D5-1	Mutter
D5-2	Klackbult	D6-1	Etikett däckhöjd

INSTÄLLNING AV SÄTET (Bild D7)

D7-1	Inställningsspak sätesposition
------	--------------------------------

DRIFT

INNAN ANVÄNDNING (Bild E1)

STÄLLA IN PARKERINGSBROMSEN (Bild E2)

E2-1	Parkeringsbromsläge	E2-2	Frisläppt position
------	---------------------	------	--------------------

⚠ VARNING! PARKERINGSBROMSPEDALEN KAN INTE SAKTA NER KÖRHASTIGHETEN. FÖRSÖK ALDRIG TRYCKA NER PARKERINGSBROMSPEDALEN FÖR ATT SAKTA NER KÖRHASTIGHETEN UNDER KÖRNING. NÄR PARKERINGSBROMSPEDALEN ÄR NEDTRYCKT MEN INTE ÄR INKOPPLAD I PARKERINGSBROMSLÄGET ÄR DEN ELEKTRISKA BROMSEN INTE LÄNGRE EFFEKTIV OCH TRAKTORN SLUTAR RÖRA SIG PÅ EN PLAN YTA. MEN OM DETTA HÄNDER I EN SLUTTNING KAN TRAKTORN GLIDA NERFÖR SLUTTNINGEN NÄR PARKERINGSBROMSPEDALEN SLÄPPS.

⚠ VARNING: DRA UPP PARKERINGSBROMSLÅSSPAKEN OCH TRYCK OMEDELbart IN PARKERINGSBROMSPEDALEN FÖR ATT AKTIVERA DEN I PARKERINGSBROMSLÄGET OM EN NÖDSITUATION INTRÄFFAR STANNAR TRAKTORN OMEDELbart OCH GLIDER INTE NERFÖR SLUTTNINGEN.

FASTSÄTTNING/BORTTAGNING AV BATTERIPAKETET (Bild E3 – E6)

För att starta denna gräsklippare krävs EGO-batterier på totalt 15 Ah (2 X BA4200/BA4200T) eller mer. För bästa prestanda rekommenderar vi användning av EGO-batterier på totalt 30 Ah eller mer.

E3-1	Låsknapp för hölje	E5-1	Låsknapp för batteri
------	--------------------	------	----------------------

LADDA TRAKTORN

Använd endast med de rekommenderade batteripaketet och laddarna.

- Ladda batteripaketet (batterierna) separat (bild E7)

UPPMÄRKSAMMA: Se motsvarande batteri- och laddarhandböcker för detaljerade instruktioner.

- Ladda batteripaketet (batterierna) via laddningsporten (bild E8 – E10)

E10-1	Dammlock	E10-2	Laddningsuttag
-------	----------	-------	----------------

KONTROLLERA SÄKERHETSPÄRRSYSTEMET.

- För att testa däckbladssystemet (bild E11 – E12)
- För att testa körsystemet (bild E13 – E14)

Om däckbladssystemet och/eller körsystemet inte stoppar när operatören reser från sätet och om orsaken inte kan fastställas efter att det bekräftats att kontakten och uttagsanslutningen för sätet är ordentligt anslutet kontaktar du EGO kundtjänst omedelbart.

KOMMUNIKATIONSTEKNOLOGI

För information eller vårt kompletta utbud av anslutna produkter och tjänster, inklusive anslutningsinstruktioner, skanna QR-koden nedan eller besök www.egopowerplus.eu/connect.



FÖRBEREDELSE INNAN ANVÄNDNING

- Se till att inga barn, åskådare eller husdjur är inom arbetsområdet.
- Rensa området från föremål som kan kastas iväg av traktorns blad.
- Rengör skräp från traktorn.
- Kontrollera om det finns lösa fästelement.
- Kontrollera att alla skydd är på plats och fungerar korrekt.
- Kontrollera visuellt däcken om de är pumpade.
- Kontrollera bromsens funktion.
- Justera däckhöjden till önskat klippläge som passar bäst för gräsmattan och justera anti-skalphjulen därefter.
- Justera sätets position och se till att båda pedalerna kan nås.

- Kontrollera batteriets laddningsnivå.
- Kontrollera säkerhetsspärssystemet.
- Se till att gräsuppsamlaren är korrekt installerad.

STARTA TRAKTORN (Bild E15 – Bild E16)

⚠ VARNING: Undvik plötsliga starter, stopp och svängningar samt överdriven hastighet, särskilt under första inläringen av hanteringen av traktorn. Traktorn kan accelerera iväg snabbt vilket kan göra att du tappar kontrollen vilket kan resultera i allvarliga personskador och/eller egendomsskador.

⚠ VARNING: Innan traktorn startas, kontrollera och se till att bladen är inaktiverade inom fem sek när PTO-omkopplaren trycks nedåt. Om bladen inte stoppar, använd inte traktorn och kontakta EGO kundtjänst omedelbart.

NOTERA:

- Om parkeringsbromspedalen är inställd i parkeringsbromsläge behöver du bara trycka på start-/stoppknappen i tre sekunder för att tända LCD-skärmen och sedan släppa parkeringsbromspedalen innan du kör traktorn.
- Skärbladen kan startas när som helst när LCD-skärmen är helt upplyst och riktningsspaken inte dras bakåt i "R" -riktningen. För att slå på knivarna när traktorn körs bakåt, se avsnittet "**SLÅ PÅ KNIVARNA VID BACKKÖRNING**" i den här handboken.

UPPMÄRKSAMMA: Följ bild E17 för att få lägsta körhastighet tills du är fullt kapabel att köra traktorn i alla situationer.

Den elektriska gräsklippningstraktorn memorerar inte inställningarna för körhastighet och bladhastighet. Körhastigheten och bladhastigheten återgår till nivå 2 varje gång traktorn stängs av.

Justering av körhastighet (bild E17)

Inställning bladhastighet (bild E18)

NOTERA: När du är i "Nivå 3", tryck på knappen för justering av bladhastighet igen och bladhastigheten återgår till föregående hastighet.

LED-lampa (bild E19)

- LED-strålkastarna kan slås på och av med LED-ljusströmbrytaren.

USB-uttag

UPPMÄRKSAMMA: USB-uttaget ger laddningsström på 5 Volt DC på upp till en kombinerad spänning på 1,5 ampere och strömförsörjs endast när gräsklipparen startar.

STOPPA TRAKTORN (Bild E20)

⚠ VARNING! Ställ alltid parkeringsbromspedalen i parkeringsbromsläge när traktorn slutar köra i en slutning, annars kan traktorn glida nerför slutningen, vilket kan orsaka allvarliga traktorskador eller personskador!

NOTERA: I en situation där parkeringsbromspedalen är inställd på parkeringsbromsläge och föraren är av sätet, men batteripaketet inte tas bort:

- Om LCD-skärmen stängs av förblir batteriindikatorerna, start-/stoppknappen och CCS-knappen tända i 1 timme.
- Om LCD-skärmen visar "bränslemätare" eller förargränssnitt stängs traktorn automatiskt av efter 1 timme.

Linka-hemläge

När batteriladdningen blir kritiskt låg, klipparen går in i Limp-Home-läge för att bevara tillräckligt med ström för att åka tillbaka till laddningsområdet.

- Bladen växlar till låg rotationshastighet, vilket bara kan klippa mycket liten mängd gräs. När du stöter på högt och tätt gräs kommer knivarna att sluta rotera. Ljudindikatorn låter (pip) intermittent.
- Traktorns statusindikator blinkar rött varje sekund, både varningsikonen (låg effekt) och ikonen för varje upptaget batterifack blinkar.

Operatören skall:

- Tryck kraftuttagsomkopplaren nedåt för att stänga av bladmotorerna. Ljudindikatorn slutar låta när bladmotorerna stannar.
- Sluta arbeta och komma till laddningsområdet så snart som möjligt. Det maximala avståndet som gräsklipparen kan köra är 1000 m.

När batteriet är nästan helt tomt kommer ikonen för varje upptaget batterifack och indikatorn för låg energi kommer att blinka varje halv sekund. Traktorn slutar fungera omedelbart. Operatören måste transportera gräsklipparen till laddningsområdet för laddning.

UPPMÄRKSAMMA: Om manuell påskjutning behövs, se till att batterierna är bortkopplade från traktorn och att parkeringsbromspedalen är lossad från bromspositionen.

KÖRA TRAKTORN (Bild E21)

⚠ FARA: Håll dig minst två klippbredder från diken, branter eller vatten. De främre hjulen kan rotera när gräsklipparen är stoppad, även med bromsen aktiverad och orsaka att gräsklipparen kör över kanten eller ned i vattnet och resultera i dödsfall eller allvarliga personskador.

⚠ VARNING! Kör inte traktorn på allmänna vägar.

⚠ VARNING! Om en blockering uppstår eller du kör på ett främmande föremål, stoppa motorn och ta bort batterierna. Ta bort gräsklipp, löv, smuts och annan ackumulerat skräp, inspektera gräsklipparen nota om där finns skador och reparera skadorna innan gräsklipparen startas och används.

NOTERA:

- Under körning, när du lämnar sätet, stängs traktorns statusindikator av. När du börjar köra igen, luta dig tillbaka på sätet och tryck ner parkeringsbromspedalen helt så att traktorns statusindikator lyser grönt.
- När du växlar mellan framåt och bakåt under körning, flytta körriktningsspaken direkt från ena änden till den andra utan att stanna i neutralläge, annars kan traktorn sluta röra sig.

ANVÄNDA FARTHÅLLARE (CCS)

Aktivera (ange) farthållare (CCS) (bild E22)

NOTERA: Körhastighetsnivån som visas på LCD-skärmen kanske inte exakt motsvarar klipparens faktiska körhastighet i farthållaren. Tryck på hastighetsjusteringsknappen för att "uppdatera" körhastighetsnivån på LCD-skärmen.

För att stoppa (avsluta) farthållaren (CCS), kan du välja ett av de tre sätten:

- Tryck ner gaspedalen hela vägen och fortsätt att trycka ner. CCS-funktionen stannar och traktorn fortsätter köra.
- Tryck lätt på gaspedalen och släpp den sedan. Traktorn och CCS-funktionen stannar.
- Tryck på CCS-knappen. Traktorn och CCS-funktionen stannar.

SE

NOTERA: När CCS stoppas försvinner ikonen "⚙️" från LCD-skärmen och pip hörs två gånger.

NOTERA: Om parkeringsbromspedalen är nedtryckt stannar traktorn men ikonen "⚙️" blinkar på LCD-skärmen för att indikera att CCS är i standby. Släpp i så fall parkeringsbromspedalen, tryck på CCS-knappen. Traktorn återupptar körningen automatiskt och ikonen "⚙️" slutar blinka.

SLÅ PÅ KNIVARNA VID BACKNING

UPPMÄRKSAMMA: Klippning i backning rekommenderas inte.

⚠️ VARNING! Var mycket försiktig när du klipper bakåt. Se alltid till att inga personer kommer in i arbetsområdet, särskilt små barn före och medan de klipper bakåt.

⚠️ VARNING! Förarnas sikt kan försämrats vid användning av traktorn som är fäst med uppsamlingssatsen. Extrem försiktighet och förtrogenhet med omgivningen bör alltid beaktas före och under backning.

Aktivera (Enter) KLIPPNING BAKÅT (E23)

För att stoppa (avsluta) KLIPPA BAKÅT kan du välja ett av de fyra sätten:

- Tryck en gång på knappen MOWING IN REVERSE .
- Lyft dig från traktorsätet.
- Tryck på start/stopp-knappen i tre sekunder för att stänga av LCD-skärmen.
- Ta bort säkerhetsnyckeln eller ta bort batteripaketet för att stänga av traktorn.

NOTERA: När KLIPPNINGEN BAKÅT stoppas tänds ikonen "⚙️" på LCD-skärmen.

TÖMNING AV GRÄSUPPAMLAREN (Bild E24)

NOTERA: När ikonen "🗑️" blinkar på LCD-skärmen är gräsuppsamlaren full. När uppsamlaren har tömts försvinner ikonen "🗑️" från LCD-skärmen.

NOTERA: Gräsuppsamlaren ska bytas ut korrekt på traktorn, annars kan traktorn köras men bladmotorerna kan inte slås på.

UNDERHÅLL

⚠️ VARNING! Använd alltid ögonskydd med sidoskärmar. Om inte så görs kan det resultera i att föremål kastas in i ögonen och andra möjliga allvarliga skador.

⚠️ VARNING! Skydda alltid händer genom att använda kraftiga handskar eller linda in klippkanterna med trasor eller annat material när underhålls görs av kniven. Ta alltid bort säkerhetsnyckeln och batteripaketet vid service eller transport av traktorn.

REKOMMENDERAT UNDERHÅLLSSCHEMA

Intervall underhållsservice	Underhållsproceduren
Innan varje användning eller dagligen	<ul style="list-style-type: none"> Kontrollera säkerhetsspärrsystemet. Kontrollera visuellt däcken om de är pumpade. Kontrollera knivarna. Inspektera hela produkten om där finns skador, saknade eller lösa delar såsom sidoutkastaren, skruvar, muttrar, bultar, höljen etc., se till att alla skydd finns på plats och fungerar korrekt. Kontrollera och se till att gaspedalen kan vara nedtryckt och släppas ordentligt. Kontrollera rattens stötdämpare. Ratten ska roteras med visst motstånd.
Efter varje användning	<ul style="list-style-type: none"> Rengör traktorn och tvätta däcket.
Var 25:e timme	<ul style="list-style-type: none"> Kontrollera däcktrycket.
Var 100:e timme	<ul style="list-style-type: none"> Kontrollera det bakre hjulen, se till att de fyra hjulmuttrarna är fastsatta med det rekommenderade vridmomentet (101-103 Nm). Kontrollera det bakre hjulen, se till att de fyra hjulmuttrarna är fastsatta med det rätta vridmomentet (90-92 Nm).
Var 200:e timme	<ul style="list-style-type: none"> Kontrollera de främre hjulen, se till att de rör sig fritt.
Varje halvår	<ul style="list-style-type: none"> Kontrollera parkeringsbromspedalen. Ta bort batteriet från traktorn, dra sedan upp parkeringsbromslåsspaken och tryck ner parkeringsbromspedalen för att ställa in parkeringsbromsen. Skjut traktorn manuellt framåt för att se om traktorn kan flyttas utan att bakhjulen roterar. Om traktorn rör sig och bakhjulen roterar under tiden, vänligen kontakta EGO kundtjänst för reparation.

Före förvaring	<ul style="list-style-type: none"> ▪ Ta bort batterierna från traktorn. ▪ Ta bort säkerhetsnyckeln från traktorn. ▪ Utför alla underhållsprocedurer som anges ovan och rengör traktorn noggrant. ▪ Kontrollera hela produkten för skadade, saknade eller lösa delar, byt ut eller dra åt motsvarande före förvaring.
Årligen	<ul style="list-style-type: none"> ▪ Smörj framhjulens axelhylsor.

ALLMÄNT UNDERHÅLL

Tömning av gräset (bild F1 – F3)

Rengöring av traktorhöljet (bild F4)

Använda tvättporten för att rengöra traktordäck (bild F5 – F6)

F5-1	Tvättuttag	F5-2	Snabbkoppling tvättuttag
F5-3	Trädgårdsslang		

UPPMÄRKSAMMA: När du avslutar rengöringen, stäng av traktorn helt och ta sedan bort trädgårdsslangen och snabbkopplingen.

UNDERHÅLLA TRKTORKLIPPARE OCH KLIPPBLADEN

Förberedelse (bild G1)

Ta bort däck (bild G2 – G3)

G2-1	Motorkabel	G2-2	Saxsprint
G2-3	Upphångningslänk		

Byta ut klippbladen (bild G4 – G6)

G4-1	Stabilisator	G5-1	Bult
G5-2	Bricka	G5-3	Kniv
G5-4	Fläns	G5-5	Motoraxel

Nivellering av däck

- Vid nivellering (bild G7 / G8 / G9)**
- Innan nivellering**
 - Kontrollera de kalla däckens tryck (bild G10)
 - Kontrollera klippbladen. Ta bort och byt slitna, spräckta och/eller böjda blad vid behov.
- Förberedelse för nivellering (bild G11)**
- Hur man nivellerar**
 - Göra sida-till-sida inställning (bild G12)
 - Göra en front-till-bak inställning (bild G13)

FÖRVARING OCH TRANSPORT

TRANSPORTERA TRAKTORN (Bild H1 – H5)

H2-1	Ramper	H2-2	Remmar
------	--------	------	--------

UPPMÄRKSAMMA: Sätt fast traktorn såsom behövs, använd remmar eller kablar för att förhindra rörelser under transporten.

FÖRVARING (Bild I1 – I2)

UPPMÄRKSAMMA: Ta bort och förvara batteripaketet separat se motsvarande handböcker.

Rengör och kontrollera traktorn före förvaring, se avsnitten "ALLMÄNT UNDERHÅLL" och "REKOMMENDERAT/UNDERHÅLLSCHEMA".

Skydda miljön



WEEE (Waste Electrical and Electronic Equipment) Kasta inte elektrisk utrustning, använt batteri och laddare i hushållssoporna! Ta denna produkt till en auktoriserad återvinnare och gör den tillgänglig för separat insamling. Elektriska verktyg måste returneras till en miljöanpassad återvinningsanläggning.

SE

FELSÖKNING

SE

PROBLEM	ORSAK	LÖSNING
Den elektriska gräsklippartraktorn misslyckas med att köra när gaspedalen är nedtryckt.	<ul style="list-style-type: none"> De insatta batteriernas sammanlagda Ah-värde uppfyller inte kravet. 	<ul style="list-style-type: none"> För att starta traktorn, använd tillräckligt med EGO batterier enligt instruktionerna i avsnittet "SÄTTA/LOSSA BATTERIPAKETET" i denna handbok.
	<ul style="list-style-type: none"> Parkeringsbromspedalen är inställd i bromspositionen. 	<ul style="list-style-type: none"> Tryck helt ned parkeringsbromspedalen för att lossa den från bromspositionen.
	<ul style="list-style-type: none"> Traktorns statusindikator lyser inte grönt. 	<ul style="list-style-type: none"> Tryck ner parkeringsbromspedalen och släpp sedan. Traktorn statusindikator lyser grönt, vilket innebär att traktorn är redo att starta.
	<ul style="list-style-type: none"> Operatören sitter inte på sätet. 	<ul style="list-style-type: none"> Traktorn kan endast manövreras när föraren sitter ordentligt på sätet.
	<ul style="list-style-type: none"> Säkerhetslåssystemet för sätena är inte korrekt anslutet. 	<ul style="list-style-type: none"> Ta bort batterierna från traktorn och lyft upp sätets baksida för att säkerställa att kabelkontakten är ordentligt ansluten till uttaget på undersidan av sätet (se kapitlet "INSTALLERA SÄTET"). Följ instruktionerna i "STARTA TRAKTORN" för att starta om traktorn för att se om traktorn kan startas. Om inte, kontakta EGO Kundtjänst för reparation.
	<ul style="list-style-type: none"> Under extrem kallt väder kan inte drivfunktionen startas på grund av skydd mot låga temperaturer. 	<ul style="list-style-type: none"> Förvara alltid traktorn och batterierna i varm miljö. Starta om traktorn när den värms upp. Gör inte upprepade försök under extremt kallt väder vilket kan skada maskinen.
	<ul style="list-style-type: none"> Gaspedalens väg är igensatt med skräp. 	<ul style="list-style-type: none"> Kontrollera och ta bort skräpet
	<ul style="list-style-type: none"> Fel på mekaniska eller elektroniska komponenter i gaspedalen. 	<ul style="list-style-type: none"> Kontakta EGO Kundtjänst för reparation.
Den elektriska gräsklippartraktorn slutar köra.	<ul style="list-style-type: none"> Riktningsspaken placeras i neutralläge. 	<ul style="list-style-type: none"> Tryck/dra i körriktningsspaken i riktning "D" eller "R".
	<ul style="list-style-type: none"> Vid växling mellan framåt och bakåt under körning förblir körriktningsspaken i neutralläge under lång tid. 	<ul style="list-style-type: none"> Släpp gaspedalen och tryck sedan in den igen.
	<ul style="list-style-type: none"> Fel på elektroniska komponenter i gaspedalen. 	<ul style="list-style-type: none"> Kontakta EGO Kundtjänst för reparation.
	<ul style="list-style-type: none"> Säkerhetsspärrsystemet för sätes säkerhet kopplades bort under körning i grov terräng. 	<ul style="list-style-type: none"> Ta bort batterierna från traktorn och lyft upp sätets baksida för att säkerställa att kabelkontakten är ordentligt ansluten till uttaget på undersidan av sätet (se kapitlet "INSTALLERA SÄTET"). Följ instruktionerna i "STARTA TRAKTORN" för att starta om traktorn för att se om traktorn kan startas. Om inte, kontakta EGO Kundtjänst för reparation.
	<ul style="list-style-type: none"> Operatörens vikt är inte jämnt fördelad på sätet. Operatörens vikt på sätet måste vara minst 20 kg för att säkerhetsspärrsystemet för sätet ska fungera korrekt 	<ol style="list-style-type: none"> Sitt ordentligt på sätet, tryck ner parkeringsbromspedalen helt och släpp den, sedan är traktorn redo för körning. Koppla ur och sätt tillbaka batteriet igen om det behövs.
	<ul style="list-style-type: none"> När parkeringsbromsen är tillräckligt nedtryckt men inte till parkeringsläget, stannar traktorn. 	<ul style="list-style-type: none"> Följ instruktionerna i "STARTA TRAKTORN" för att starta om traktorn.

PROBLEM	ORSAK	LÖSNING
<p>Den elektriska gräsklippartraktorn startar inte knivarna när kraftuttagsomkopplaren är aktiverad.</p> <p> PTO-omkopplarens ikon blinkar.</p>	<ul style="list-style-type: none"> De insatta batteriernas sammanlagda Ah-värde uppfyller inte kravet. 	<ul style="list-style-type: none"> För att starta traktorn, använd tillräckligt med EGO batterier enligt instruktionerna i avsnittet "SÄTTA/LOSSA BATTERIPAKETET" i denna handbok.
	<ul style="list-style-type: none"> PTO-omkopplaren trycktes inte ner när traktorn stängdes av förra gången. 	<ul style="list-style-type: none"> Tryck ner PTO-omkopplaren och sedan upp för att starta om bladmotorerna.
	<ul style="list-style-type: none"> Traktorn är överbelastad när knivarna börjar rotera och utlöser motorns självskydd. 	<ul style="list-style-type: none"> Starta klippning först med låg hastighet och tills bladen når korrekt rotation, öka inte bladens acceleration när så behövs.
	<ul style="list-style-type: none"> Under extremt kallt väder kan inte bladmotorn startas på grund av skydd mot låga temperaturer. 	<ul style="list-style-type: none"> Förvara alltid traktorn och batterierna i varm miljö. Starta om traktorn när den värms upp. Gör inte upprepade försök under extremt kallt väder vilket kan skada maskinen.
	<ul style="list-style-type: none"> Bladet kommer i kontakt med det deformerade gräsklippardäcket. 	<ul style="list-style-type: none"> Kontakta EGO kundtjänst för reparation.
	<ul style="list-style-type: none"> Gräsuppsamlaren är inte korrekt installerad. 	<ul style="list-style-type: none"> Installera gräsuppsamlaren ordentligt enligt avsnittet "INSTALLERA GRÄSUPPSAMLAREN" i manualen.
<p>Bladen slutar att arbeta under gräsklippningen.</p>	<ul style="list-style-type: none"> Traktorn är överbelastad. 	<ul style="list-style-type: none"> Höj däckets klipp höjd eller sänk körhastigheten för att minska belastningen på traktorn.
	<ul style="list-style-type: none"> Gräsklippardäcket är igensatt med gräs och skräp. 	<ul style="list-style-type: none"> Rengör gräsklippardäcket och se till att bladen kan röra sig fritt.
	<ul style="list-style-type: none"> Traktorn är överhettad. 	<ul style="list-style-type: none"> Minska belastningen på traktorn genom att höja däckets klipp höjd eller sänka hastigheten hos bladet/körningen och låta traktorn svalna.
	<ul style="list-style-type: none"> Batteripaketet i traktorn batterifack är överhettat vilket resulterar i den kombinerade Ah-värderingen för alla insatta batterier inte uppfyller kraven. 	<ol style="list-style-type: none"> Traktorn kan fortsätta att arbeta om det kombinerade batteri AH märkningen, exkluderat överhettat batteri, uppfyller kraven. När det överhettade batteriet återgår till normal temperatur kommer det omedelbart att ansluta för att strömförsörja traktorn. Om det kombinerade batteriets Ah märkning inte uppfyller kraven kommer inte traktorn att arbeta innan fler batteripaket satts i de tomma batterifacken. Minska belastningen på traktorn genom att höja däckets klipp höjd eller sakta ned klippningen när arbetet återupptas.
	<ul style="list-style-type: none"> Traktorn är i Limp-Home-läge. 	<ul style="list-style-type: none"> När traktorn är i Linka-hemläget kommer bladen automatiskt att växla till låg rotationshastighet utan att klippa gräs. Operatören skall sluta arbeta och kör till batteriladdningsområdet så snart som möjligt.
	<ul style="list-style-type: none"> Traktorn har träffat ett främmande föremål vilket resulterar i självskydd av motorn. 	<ul style="list-style-type: none"> Tryck ner PTO-omkopplaren och sedan upp för att starta om bladmotorerna.
	<ul style="list-style-type: none"> Traktorn rör sig bakåt med ikonen MOWING IN REVERSE OFF tänd på LCD-skärmen. 	<ul style="list-style-type: none"> Tryck ned kraftuttagsomkopplaren och starta om bladmotorerna enligt instruktionerna i avsnittet "Till aktiv (Enter) KLIPPNING VID BACKNING".

PROBLEM	ORSAK	LÖSNING
Ljudindikatorn fortsätter att låta.	<ul style="list-style-type: none"> Traktorn är i Linka-hemläge och bladen är inte avstängda. 	<ul style="list-style-type: none"> Tryck ner PTO-omkopplaren för att stänga av bladmotorerna. Ljudindikatorn slutar låta när bladmotorerna är avstängda.
	<ul style="list-style-type: none"> Traktorn slutar att köra i en sluttning och operatören kliver ur sätet utan att ställa in parkeringsbromsspaken i bromsläget. 	<ul style="list-style-type: none"> Ställ parkeringsbromspedalen i parkeringsbromsläge innan du lämnar traktorn i sluttningen.
Effektindikatorerna på batteripaketet lyser fortfarande när traktorn stängs av.	<ul style="list-style-type: none"> När traktorn stängs av på plan mark utan att ta bort batteripaketet från traktorn förblir effektindikatorerna tända under en period. 	<ul style="list-style-type: none"> Ingen handling krävs. Batteriindikatorerna släcks när traktorn stängs av efter en viss tid. Se avsnittet "STANNA TRAKTORN" för en viss tid
	<ul style="list-style-type: none"> När traktorn stängs av i en sluttning utan att parkeringsbromsen ställs in lyser effektindikatorerna på batteripaketet tills batteriladdningen är slut. Ljudindikatorn kommer att ljuda samtidigt. 	<ul style="list-style-type: none"> Ställ parkeringsbromspedalen i parkeringsbromsläge innan du lämnar traktorn i sluttningen. Annars kan traktorn glida nerför sluttningen.
LCD-skärmen kan inte lysa med alla ikonerna påslagna.	<ul style="list-style-type: none"> Start-/stoppknappen trycks inte in tillräckligt länge. 	<ol style="list-style-type: none"> LCD-skärmen kommer endast att visa "Bränslemätare" vid kort tryckning på när start/stoppknappen. LCD-skärmen slås på när parkeringsbromspedalen trycks ned helt och start/stopp-knappen trycks in tillräckligt länge.
	<ul style="list-style-type: none"> När säkerhetsnyckelikonerna "D" blinkar på LCD-skärmen sätts inte säkerhetsnyckeln i. 	<ul style="list-style-type: none"> Sätt i säkerhetsnyckeln, tryck sedan ner parkeringsbromspedalen helt och tryck på start-/stoppknappen tillräckligt länge samtidigt för att slå på LCD-skärmen.
	<ul style="list-style-type: none"> När parkeringsbromsikonerna "P" blinkar på LCD-skärmen är parkeringsbromspedalen inte helt nedtryckt. 	<ul style="list-style-type: none"> Sätt i säkerhetsnyckeln, tryck sedan ner parkeringsbromspedalen helt och tryck på start-/stoppknappen tillräckligt länge samtidigt för att slå på LCD-skärmen.
Traktorn klipper ojämnt med signifikant höjdskillnad framifrån och bak.	<ul style="list-style-type: none"> Bladen är slöa. 	<ul style="list-style-type: none"> Slipa eller byt klippbladen såsom instrueras i denna manual.
	<ul style="list-style-type: none"> Bladen är böjda. 	<ul style="list-style-type: none"> Byt böjda klippblad enligt instruktionerna i sektionen "Byta klippbladen".
	<ul style="list-style-type: none"> Gräsklippardäcket är inte nivellerad vilket resulterar i olika höjd på klippbladen. 	<ul style="list-style-type: none"> Nivellera gräsklippardäcket enligt instruktionerna i sektionen "Nivellera gräsklippardäcket".
Den verkliga gräsklippningshöjden är inte i linje med begärd höjd.	<ul style="list-style-type: none"> Gräsklippardäckets muttrar är lösa på upphängningslänken. 	<ul style="list-style-type: none"> Följ instruktionerna i sektionen "Nivellera gräsklippardäcket" för att göra korrekt justering av front-till-bak av gräsklippardäcket och dra åt de fyra muttrarna på upphängningslänkarna.
	<ul style="list-style-type: none"> Gräsklippardäcket är skadat eller allvarligt slitet. 	<ul style="list-style-type: none"> Följ instruktionerna i sektionen "Ta bort gräsklippardäcket" för att byta traktorgräsklippardäcket.
Traktorn finfördelar inte ordentligt.	<ul style="list-style-type: none"> Vått gräsklipp har fastnat på undersidan av däckets. 	<ul style="list-style-type: none"> Vänta tills gräset torkar innan klippning.
	<ul style="list-style-type: none"> Traktorn är inställd på att klippa för mycket gräs på en gång. 	<ul style="list-style-type: none"> Höj däckets kliphöjd.

PROBLEM	ORSAK	LÖSNING
Överdriven vibration.	<ul style="list-style-type: none"> ▪ Klippbladen är lösa. 	<ul style="list-style-type: none"> ▪ Dra åt knivbulten enligt rekommenderade vridmomentet.
	<ul style="list-style-type: none"> ▪ Bladen är böjda. 	<ul style="list-style-type: none"> ▪ Byt böjda klippblad enligt instruktionerna i sektionen “Byta klippbladen”.
	<ul style="list-style-type: none"> ▪ Gräsklippardäcket är inte i nivå. 	<ul style="list-style-type: none"> ▪ Nivellera gräsklippardäcket enligt instruktionerna i sektionen “Nivellera gräsklippardäcket”.
	<ul style="list-style-type: none"> ▪ Gräsklippardäckets muttrar är lösa på upphängningslänken. 	<ul style="list-style-type: none"> ▪ Dra åt muttrarna på fjädringslänken.
	<ul style="list-style-type: none"> ▪ Däcket är inställt på att klippa för mycket gräs i taget. 	<ul style="list-style-type: none"> ▪ Höj däckets klipphöjd.
Det finns gräs eller skräp kvar på marken efter klippningen.	<ul style="list-style-type: none"> ▪ Däcket är inställt på att klippa för mycket gräs i taget när gräset är högt. 	<ul style="list-style-type: none"> ▪ Börja med en hög klipphöjd och sänk den tills önskat klippresultat uppnås. Gräs högre än 152 mm skall klippas två gånger med successivt sänkt klipphöjd.
	<ul style="list-style-type: none"> ▪ Gräset är vått. 	<ul style="list-style-type: none"> ▪ Klipp inte när gräset är vått. Vänta tills gräset torkar.
	<ul style="list-style-type: none"> ▪ Körhastigheten är för hög. 	<ul style="list-style-type: none"> ▪ Sänk körhastigheten.
	<ul style="list-style-type: none"> ▪ Bladhastigheten är låg. 	<ul style="list-style-type: none"> ▪ Öka bladastigheten gradvis.
Kort drifttid för traktorn med medföljande batterier.	<ul style="list-style-type: none"> ▪ Gräsmatta terräng, gräsförhållanden, klipphöjdsinställning, körhastighet, bladastighet etc. kommer att påverka körtiden kraftigt. 	<ul style="list-style-type: none"> ▪ Höj däckets klipphöjd och sänk bladastigheten för att minska klippbelastningen.
Traktorn spårar inte rakt.	<ul style="list-style-type: none"> ▪ Däcktrycket för det vänstra och höga bakre hjulen är olika. 	<ul style="list-style-type: none"> ▪ Kontrollera och justera lufttrycket på båda bakre hjulens däck enligt rekommendationen i sektionen “SPECIFIKATIONER” i denna manual.
Parkeringsbromspedalen kan inte lossas från bromspositionen eller fjädrar långsamt tillbaka.	<ul style="list-style-type: none"> ▪ Parkeringsbromspedalens körväg är igensatt med skräp. 	<ul style="list-style-type: none"> ▪ Kontrollera och ta bort skräpet.
Traktorn kan inte laddas via laddningsuttaget med traktorns statusindikator lysande fast röd.	<ul style="list-style-type: none"> ▪ Kontakten till laddaren är inte korrekt isatt i laddningsuttaget på traktorn. 	<ul style="list-style-type: none"> ▪ Återanslut laddningskontakten för att se om traktorn kan laddas normalt.
	<ul style="list-style-type: none"> ▪ Det finns ingen ström i vägguttaget. 	<ul style="list-style-type: none"> ▪ Ingen handling krävs. Vänta tills effekten återställs.
	<ul style="list-style-type: none"> ▪ Funktionsfel hos laddaren. 	<ul style="list-style-type: none"> ▪ Kontakta EGO kundtjänst och få laddaren inspekterad och/eller reparerad vid behov av en kvalificerad servicetekniker.
	<ul style="list-style-type: none"> ▪ Laddarporten på traktorn är felaktig. 	<ul style="list-style-type: none"> ▪ Kontakta EGO kundtjänst för reparation.
Laddningstiden via traktorns laddningsport är för lång.	<ul style="list-style-type: none"> ▪ Användning av EGO-adaptör ACA1000 för laddning kräver lång tid. 	<ul style="list-style-type: none"> ▪ Använd EGO laddare CHV1600E för att ladda den elektriska gräsklippartraktorn direkt.
Batterierna kan inte laddas helt via traktorns laddningsport.	<ul style="list-style-type: none"> ▪ Fel på fasta programmet på traktorn eller batteriet eller laddningsfelet. 	<ul style="list-style-type: none"> ▪ Återställ laddaren genom att koppla ur laddaren och vänta i flera minuter. Anslut sedan kontakten till strömförsörjningen igen. Om detta inte löser problemet, ring EGO kundservice.
Gräsklipparen kan inte startas efter rengöringen.	<ul style="list-style-type: none"> ▪ Felaktig rengöring så att vatten kommit in i de elektriska komponenterna, LCD-skärmen etc. 	<ol style="list-style-type: none"> 1. Följ instruktionerna i avsnittet “ALLMÄNT UNDERHÅLL” för att rengöra traktorn korrekt. 2. Om traktorn oavsiktligt lämnats ute i regnet, lämna den ute iför att torka eller använd tryckluft för att torka den.
Däcket blir igensatt snabbt.	<ul style="list-style-type: none"> ▪ Gräsklippardäcket rengjordes inte ordentligt efter tidigare användning. 	<ul style="list-style-type: none"> ▪ Rengör gräsklippardäcket efter varje användning, följ sektionen “Använda tvättuttaget för att rengöra gräsklippardäcket”.

PROBLEM	ORSAK	LÖSNING
Traktorn förlorar lätt riktningen vid klättring i sluttningar.	<ul style="list-style-type: none"> ▪ Däcken på de bakre hjulen är slitna. ▪ Klippning på en brant sluttning. 	<ul style="list-style-type: none"> ▪ Sök efter lokal service för att byta hjulens däck. ▪ Traktorn ska inte användas för att klippa sluttningar brantare än vad som krävs.
När traktorn stannar i en sluttning med parkeringsbromspedalen aktiverad kan traktorn rulla nerför sluttningen.	<ul style="list-style-type: none"> ▪ Bromskomponenterna är mycket slitna på grund av felaktig hantering av gräsklipparen. 	<ul style="list-style-type: none"> ▪ Kontakta EGO Kundtjänst för reparation.
Det kommer inget vatten från tvättporten när du försöker tvätta däck.	<ul style="list-style-type: none"> ▪ Tvättportens snabbfäste är inte ordentligt monterat på tvättporten. 	<ul style="list-style-type: none"> ▪ Sätt tillbaka tvättuttagets snabbkoppling tills du hör ett klick efter en fast nedtryckning. Om det inte fungerar, ring till EGO kundtjänst.
Ett onormalt ljud hörs när man manuellt skjuter på klipparen utan att starta den.	<ul style="list-style-type: none"> ▪ Ljudet kommer från magneterna inuti drivmotorn. 	<ul style="list-style-type: none"> ▪ Det är normalt och ingen åtgärd krävs.
Ratten kan inte roteras.	<ul style="list-style-type: none"> ▪ Rattenheten är igensatt med skräp. 	<ul style="list-style-type: none"> ▪ Kontrollera och ta bort skräpet.
Traktorn svänger inte vänster/höger när ratten roteras.	<ul style="list-style-type: none"> ▪ Fel på elektroniska eller mekaniska komponenter. 	<ul style="list-style-type: none"> ▪ Kontakta EGO kundtjänst för reparation.
Gräsklipparen stannar inte när gaspedalen släpps.	<ul style="list-style-type: none"> ▪ Gaspedalens returväg är igensatt med skräp. 	<ul style="list-style-type: none"> ▪ Kontrollera och ta bort skräpet.
	<ul style="list-style-type: none"> ▪ CCS-knappen trycks oavsiktligt under körning. Traktorn är i farthållarläge 	<ul style="list-style-type: none"> ▪ Kontrollera om CCS-ikonen är upplyst på LCD-skärmen och avsluta CCS vid behov. Se kapitlet “ANVÄNDA FARTKONTROLLEN (CCS)”
CCS-funktionen kan inte aktiveras eller stängas av.	<ul style="list-style-type: none"> ▪ CCS-knappen trycks inte in ordentligt. 	<ul style="list-style-type: none"> ▪ Tryck på CCS-knappen tills CCS-ikonen tänds på LCD-skärmen eller försvinner från LCD-skärmen.
Traktorns framhjul roterar med onormalt ljud	<ul style="list-style-type: none"> ▪ Framhjulets axelhylsor kräver smörjning. 	<ul style="list-style-type: none"> ▪ Ta bort batteripaketet och fyll sedan injektionsportarna med fett tills fett svämmar över den övre kanten eller underkanten på framhjulets axelhylsor.

REFERENS FÖR TRAKTORNS STATUS

LCD-display	Beskrivning	Traktorns status-indikator	Ljudindikator	Orsak	Lösning
	Ikon för bränslemätare	AV	Nej	Den indikera genomsnittliga laddningskapacitet för isatta batterier.	Det är normal funktion. Ingen handling krävs.
	Ikon för timmätare	AV	Nej	Den visar den totala körtiden för traktorn, i timmar och kan inte återställas.	Det är normal funktion. Ingen handling krävs.
	Ikon för laddningsindikator	AV	Nej	Den indikerar nuvarande belastning hos traktorn	Det är normal funktion. Ingen handling krävs.
	LED-lampor-ikonen tänds på LCD-skärmen.	AV	Nej	Strålkastarna tänds av LED-ljusströmbrytaren.	Det är normal funktion. Ingen handling krävs.
	Bluetooth-ikonen tänds på LCD-skärmen	AV	Nej	Traktorn är ansluten till en mobil enhet via Bluetooth.	Det är normal funktion. Ingen handling krävs.
	KLIPPNING BAKÅT Ikonen tänds på LCD-skärmen.	AV	Nej	Det indikerar att knivarna inte kan slås på när traktorn rör sig bakåt.	Det är normal funktion. Om det behövs, slå på knivarna medan du kör bakåt enligt avsnittet " SLÅ PÅ KNIVARNA VID KÖRNING VID BACKNING " I HANDBOKEN.
	Drive Icon tänds på LCD-skärmen.	AV	Nej	Det indikerar att traktorn kan köras eller kör framåt.	Det är normal funktion. Placera körriktningsspaken i läge "D", neutralläge eller "R" efter behov.
	Backnings-ikon tänds på LCD-skärmen.	AV	Nej	Det indikerar att traktorn kan köras eller kör bakåt.	
	Drive-ikonen och backikonen blinkar växelvis	AV	Nej	Det indikerar att traktorn inte kunde köras.	
	Säkerhetsnyckelikonen tänds	AV	Nej	Säkerhetsnyckeln är korrekt isatt.	Det är normal funktion. Ingen handling krävs.
	Säkerhetsnyckelikonen blinkar när LCD-skärmen visar "bränslemätare".	AV	Nej	Säkerhetsnyckeln är inte isatt. Batteriboxenhetens nyckelkontroll är trasig.	Sätt i säkerhetsnyckeln, tryck sedan ner parkeringsbromspedalen helt och tryck på START/STOP-knappen samtidigt i mer än 3 sekunder för att slå på traktorn. Kontakta EGO Kundtjänst för reparation.

SE

LCD-display	Beskrivning	Traktorns status-indikator	Ljudindikator	Orsak	Lösning
	Parkeringsbromsikonen blinkar när LCD-skärmen visar "bränslemätaren".	AV	Nej	Parkeringsbromspedalen är inte nedtryckt.	Med säkerhetsnyckeln isatt trycker du ned parkeringsbromspedalen helt och trycker på START/STOP-knappen samtidigt i mer än 3 sekunder för att slå på traktorn.
	Parkeringsbromsikonen blinkar när LCD-skärmen visar förargränssnittet.	AV	Nej	Tryck ner gaspedalen innan du trycker ned parkeringsbromspedalen så att traktorns indikator lyser grönt.	Starta traktorn ordentligt genom att följa avsnittet " STARTA TRAKTORN ".
	Ikonen för parkeringsbroms tänds	AV	Nej	Parkeringsbromspedalen är inställd i parkeringsbromsläget.	Släpp den innan traktorn startas.
	Ikonen för sätessensorn tänds	AV	Nej	Operatören lämnar sätet eller säkerhetslåssystemet för sätessäkerhet är frånkopplat.	Om operatören sitter i sätet och ikonen lyser, sluta att använda traktorn omedelbart och kontrollera sätets anslutning. Om sätetsanslutningen med traktorn är bekräftad korrekt, kontakta en kvalificerad servicetekniker för reparation.
	PTO-omkopplarens ikon blinkar	AV	Nej	Bladmotorn avbröts under arbetet och PTO-omkopplaren är inte inställd i avstängd position.	Innan du startar om traktorn, tryck ner PTO-omkopplaren för att stänga av bladmotorerna. Se " FELSÖKNING " i denna manual för referens.
	Ikonen för ett visst batterifack blinkar.	AV	Nej	Ett visst batteri under urladdning är överström.	Ingen handling krävs. Traktorn kan fortsätta att arbeta om det kombinerade batteri AH märkningen, exkluderat överströmägetbatteri, är lika med eller mer än 15 Ah. När överströmsbatteriet återgår till det normala kommer det omedelbart att driva traktorn och ikonen försvinner.
	Ikonen för tomt batterifack blinkar.	AV	Nej	Batterikapaciteten är inte tillräckligt för att traktorn kan arbeta.	För att starta traktorn, använd tillräckligt med EGO batterier enligt instruktionerna i avsnittet " SÄTTA/LOSSA BATTERIPAKETET " i denna handbok.
	Temperaturikonen och upptagna batterifacket blinkar samtidigt.	AV	Nej	Batteripaketet i motsvarande numererat batterifack är överhettat.	<ol style="list-style-type: none"> Traktorn kan fortsätta att arbeta om det kombinerade batteri AH märkningen, exkluderat överhettat batteri, uppfyller kraven. När det överhettade batteriet återgår till normal temperatur kommer det omedelbart att ansluta för att strömförsörja traktorn. Om det kombinerade batteriets Ah märkning inte uppfyller kraven kommer inte traktorn att arbeta innan fler batteripaket satts i de tomma batterifacken. Minska belastningen på traktorn genom att höja däckets klipp höjd eller sakta ned klippningen när arbetet återupptas.

SE

LCD-display	Beskrivning	Traktorns status-indikator	Ljudindikator	Orsak	Lösning
	Temperaturikonen blinkar.	AV	Ett pip	Traktorn är överhettad.	Minska belastningen på traktorn genom att höja däckets klipp höjd eller sänka hastigheten hos bladet/körningen. Ta en paus och låt traktorn svalna.
				Traktorn är för kall.	Vänligen gör inte upprepade försök som kan skada maskinen. Förvara alltid traktorn och batterierna i varm miljö. Starta om traktorn när den värms upp.
	Varningsikonen blinkar	Blinkar röd	Ett pip	Bladmotorn är överbelastad.	Höj däckets klipp höjd eller sänk körhastigheten långsamt för att minska belastningen på traktorn.
				Sidoutkastet är igensatt med gräs och skräp.	Rengör sidoutkastaren efter varje användning.
				Det finns ett hinder mellan bladet och klippaggregatet.	Kontakta EGO Kundtjänst.
	Ikonerna för varje upptaget batterifack och varningsikonen blinkar varje sekund samtidigt på LCD-skärmen.	Blinkar röd	Fortsätter att ljuda tills PTO-omkopplaren trycks ned.	Batteripaketet har låg laddning och traktorn är i Linka-hemläge.	Sluta arbeta och kör till batteriladdningsområdet. NOTERA: När traktorn är i Linka-hemläget kommer bladen automatiskt att växla till låg rotationshastighet utan att klippa gräs och under tiden kommer ljudindikatorn att fortsätta ljuda. Operatören ska trycka PTO-omkopplaren nedåt för att stänga av bladmotorerna. Ljudindikatorn kommer att sluta ljuda efter att bladet stoppat.
	Ikonen för varje upptaget batterifack och varningsikonen blinkar var halv sekund.	Blinkar röd	Fortsätter att ljuda	Bladmotorn avbröts under arbetet och PTO-omkopplaren är inte inställd i avstängd position.	Traktorn slutar fungera omedelbart. Operatören skall transportera traktorn till batteriladdningsområdet för laddning.
	CCS-ikonen tänds på LCD-skärmen	Fast grön	Nej	Traktorn fortsätter framåt med en inställd hastighet utan att behöva trampa på gaspedalen.	Det är normal funktion. Stäng vid behov av CCS-funktionen genom att följa avsnittet " För att stoppa (avsluta) farthållaren (CCS) " i manualen.
	CCS-ikonen blinkar på LCD-skärmen.	AV	Nej	Funktionen CCS (cruise control system) har misslyckats. Parkeringsbromspedalen är nedtryckt för att stoppa traktorn.	CCS-funktionen kunde inte ställas in när traktorn kör med mycket låg hastighet eller kör bakåt. När parkeringsbromspedalen har släppts trycker du på CCS-knappen så tänds CCS-ikonen på LCD-skärmen eller avslutar CCS-funktionen enligt instruktionerna i avsnittet " För att stoppa (avsluta) farthållaren (CCS) ".

LCD-display	Beskrivning	Traktorns status-indikator	Ljudindikator	Orsak	Lösning
	Ingen uppsamlarikon tänds på LCD-skärmen	inte tillämpligt	Nej	Det indikerar att gräsuppsamlaren inte är monterad på traktorn eller inte är korrekt monterad.	Montera gräsuppsamlaren ordentligt på traktorn.
	Ikonen för full uppsamlare blinkar på LCD-skärmen	inte tillämpligt	Nej	Det indikerar att gräsuppsamlaren är full.	Töm gräsuppsamlaren och byt ut den korrekt.
inte tillämpligt	inte tillämpligt	AV	Fortsätter att ljuda	Traktorn parkeras i en sluttning och föraren lämnar traktorn utan att ställa in parkeringsbromspedalen i parkeringsbromsläget.	Ställ parkeringsbromspedalen i parkeringsbromsläget. Parkeringsbromsikonen tänds och ljudindikatorn slutar pipa.
AV	Fel på laddningsporten	Fast RÖD	inte tillämpligt	Det finns ingen strömförsörjning	Kontrollera vägguttaget om där finns 220V-240V strömförsörjning och om uttaget är bra.
		Fast RÖD	inte tillämpligt	Elektriskt fel, såsom att laddningsuttaget är i en öppen krets, säkringen utlösts etc.	Kontakta EGO Kundtjänst för reparation.

SE

FELKODSREFERENS

Beskrivning	Felkod på LCD-skärm	Ljudindikator	Lösning
Vänster bladmotor roterar inte.	509	Ett pip	Inspektera bladen först. Om den är lös, dra åt skruven med rekommenderat vridmoment. I annat fall kontakta EGO Kundtjänst för reparation.
Höger bladmotor roterar inte.	609	Ett pip	

UPPMÄRKSAMMA: För alla andra felkoder som visad på LCD-skärmen, vilka kan indikera PCBA-fel. lös anslutning, motorfel hos drivmotorn, bladmotorn etc. ta bort alla batteripaket och sätt tillbaka dem några minuter senare för att starta om traktorn. Om detta inte löser problemet, registrera felkoden och kontakta EGO kundtjänst för reparation.

GARANTI

EGO GARANTIPOLICY

Besök webbsidan egopowerplus.eu för fullständiga villkor för EGO garantipolicy.

LUE KAIKKI OHJEET!



LUE KÄYTTÖOPAS

TURVALLISUUSSYMBOLI

Turvallisuussymbolien tarkoituksena on kiinnittää huomiota mahdollisiin vaaroihin. Turvallisuussymbolit ja niiden selitykset on syytä lukea tarkkaan ja ymmärtää perusteellisesti. Varoitussymbolit eivät yksin poista vaaran mahdollisuutta. Niiden antamat ohjeet ja varoitukset eivät korvaa kunnollisia onnettomuuksien ehkäisymenpiteitä.

VAROITUS: Lue ja ymmärrä tämän käyttöoppaan kaikki turvallisuusohjeet, mukaan lukien turvallisuusvaroitussymbolit, kuten "VAARA", "VAROITUS" ja "HUOMIO" ennen laitteen käyttämistä. Alla olevien ohjeiden noudattamatta jättäminen saattaa aiheuttaa sähköiskun, tulipalon ja/tai vakavan henkilövahingon.

SYMBOLIEN MERKITYKSET

Tällä sivulla kuvataan ja esitellään turvallisuussymbolit, jotka saattavat esiintyä tässä tuotteessa. Lue, ymmärrä ja noudata kaikkia laitteen ohjeita ennen kuin yrität koota sen tai käyttää sitä.

FI

TURVALLISUUSSYMBOLIT

	Turvallisuushälytys		Lue ja ymmärrä käyttöopas
	Käytä suojalaseja		Säilytä turvallisuusohjeet
	VAARA – jyrkkä rinne		VAARA – pidä sivulliset etäällä teristä
	Älä koskaan kuljeta lapsia		Katso taaksepäin peruuttaessasi
	VAROITUS – Älä käytä tätä konetta yli 12° rinteissä		VAARA – sinkoutuvia kohteita
	VAROITUS – PIDÄ KÄTESI JA JALKASI ETÄÄLLÄ		Taattu äänitehotaso. Melupäästöt ympäristöön Euroopan yhteisön direktiivin mukaiset.
	Älä astu		Vanhoja sähkölaitteita ei saa hävittää kotitalousjätteen mukana. Vie laite valtuutettuun kierrätyslaitokseen.
	Tämä tuote vastaa sovellettavia EU-direktiivejä		Tämä tuote vastaa sovellettavaa UK-lainsäädäntöä.
	Tasavirta		

kPa	Kilopascal
V	Voltti
in	Tuuma
Nm	Newtonmetri
°C	Celsius
km/t	Kilometriä per tunti

RPM	Kierrosta minuutissa
m	Metri
cm	Senttimetri
mm	Millimetrit
kg	Kilogramma
IPX4	Kotelointiluokka

KÄYTTÖOPPAASSA KÄYTETYT SYMBOLIT



Tiedot on huomioitava



Ilmoitettu toiminta pysähtyy

FI

TEKNISEET TIEDOT

Jännite	56 V	
Leikkuulaitteen koko	98 cm	
Pyörän koko	Etu	15 x 6 – 6 tuumaa
	Taka	18 x 7,5 – 8 tuumaa
Kylmä rengaspaine	Etu	96,5 kPa
	Taka	170 kPa
Terän nopeus (RPM)	Enintään 3000	
Suurin käyttönopeus	Eteenpäin	Enintään 9,6 km/t
	Taaksepäin	enintään 4,8 km/t
Leikkuukorkeuden säätö (12 asentoa)	25 – 100 mm	
Latauslämpötila-alue	5 – 40 °C	
Käyttölämpötila	0 – 40 °C	
Varastointilämpötila	-20 – 70 °C	
Paino (ilman akkua)	220 kg	
Mitattu äänen tehotaso L_{WA}	97,7 dB(A) K=1,75 dB(A)	
Äänenpaineen taso käyttäjän korvien tasolla L_{PA}	83,6 dB(A) K=3 dB(A)	
Taattu äänen tehotaso L_{WA} (mitattu 2000/14/EY:n mukaisesti)	100 dB(A)	
Tärinä a_h	Käsi	0,24 m/s ² K=1,5 m/s ²
	Runko	0,18 m/s ² K=1,5 m/s ²

- Ilmoitettu tärinän kokonaispäästöarvo on mitattu standarditestausmenetelmän mukaisesti, ja sen avulla voidaan vertailla työkaluja keskenään;
- Ilmoitettua tärinän kokonaispäästöarvoa voidaan käyttää myös altistumisen alustavaan arviointiin.

HUOMAUTUS: Työkalun käytön aikana mitattu todellinen tärinäpäästöarvo voi poiketa ilmoitetusta kokonaispäästöarvosta työkalun käyttötavasta johtuen; käyttäjän suojaamiseksi tulee käyttää kasineita ja kuulosuojaimia varsinaisissa käyttöolosuhteissa.

SUOSITELLUT LISÄVARUSTEET

VAROITUS: Käytä vain alla lueteltuja lisävarusteita. Sellaisten lisävarusteiden käyttö, jotka eivät vastaa alkuperäisiä laitemäärittäjiä, saattaa aiheuttaa vääranlaisen toiminnan ja heikentää turvallisuutta.

OSAN NIMI	MALLIN NUMERO
Keräävä teräsarja	AB3801TD
Silppuriosa	AMP3800T

KUVAUS

TUNNE TRAKTORI (Kuva A1)

- Istuin
- Mukipidikkeet
- Takapyörä (ajopyörä) (x2)
- Pesuportti (x2)
- Leikkuulaite
- Kannatinpyörä (x2)
- Etupyörä (x2)
- Etupuskuri
- Pysäköintijarrupoljin
- LED-etuvalo (x2)
- Tehonlähde
- Säilytyslokero
- Seisontajarrun lukitusvipu
- Ohjauspyörä
- Istuimen asennon säätövipu
- Ruohopussi

17. Latausliitäntä
18. USB-portti
19. Säilytyskori
20. Kaasupoljin
21. Leikkuulaitteen korkeuden säätövipu
22. Kallistusvipu
23. Kahva
24. Traktorin tilan merkkivalo
25. Terän nopeuden säätöpainike
26. LEIKKUU TAAKSEPÄIN -painike
27. Käynnistys-/pysäytyspainike
28. Suunnan ohjausvipu
29. Turva-avain
30. PTO-kytkin
31. CCS-painike
32. LED-valopainike / Bluetooth-painike
33. Ajonopeuden säätöpainike
34. Tehonlähteen kannen vapautuspainike
35. Tehonlähteen kansi
36. Tehonlähde kuudella akkulokerolla
37. Akun vapautuspainike

TUNNE LCD-NÄYTTÖ (Kuva A2)

Katso lisätietoa LCD-näytön kuvakkeista ja ilmaisimista kohdista "TRAKTORIN TILATIEDOT" ja "VIKAKOODITIEDOT".

1. CCS-kuvake
2. Turvalaitteen tilan merkkivalo
3. LEIKKUU TAAKSEPÄIN POIS -kuvake
4. Ajokuvake
5. Taaksepäin kuvake
6. Turva-avainkuvake
7. LED-valojen kuvake
8. Bluetooth-kuvake
9. Terien nopeuden merkkivalo
10. Käyttötuntimittari
11. Akkutehomittari
12. Lämpötilakuvake
13. Hälytyskuvake (ylikuormitus/alhainen teho)
14. Tyhjän akkulokeron kuvake
15. Varatun akkulokeron kuvake
16. Vikakoodimerkkivalo
17. Kuormituksen merkkivalo
18. Ajonopeuden merkkivalo
19. Pussi täynnä -kuvake
20. Ei pussia -kuvake

PURKAMINEN

HUOMAUTUS: Älä hävitä pakkausmateriaalia ennen kuin olet tarkastanut tuotteen huolellisesti ja käyttänyt sitä tyydyttävästi. Jos pakkausluettelossa mainittuja osia puuttuu, ota välittömästi yhteys EGO-huoltoon.

HUOMAUTUS: Lukuun ottamatta alla olevassa pakkausluettelossa olevia työkaluja, kaikki muut oppaissa mainitut työkalut ovat vain suosituksia eivätkä ne sisälly pakkaukseen.

PAKKAUSLUETTELO (Kuva B)

B-1	Sähkökäyttöinen ruohotraktori	B-2	Istuin
B-3	Ohjauspyörä	B-4	Pölysuojus
B-5	Yhdistelmäavaimet	B-6	18 mm hylsyavain
B-7	Lukkopultit (1 varalle)	B-8	M8-mutterit (1 varalle)
B-9	M12-mutterit (1 varalle)	B-10	Aluslevyt (1 varalle)
B-11	Turva-avain	B-12	Pesuportin pikaliitin
B-13	Käyttöopas	B-14	Ruohopussi (kaksi sarjaa pultteja ja muttereita sivukannattimia varten)
B-15	U-muotoinen kannatin	B-16	Sivukannatin
B-17	Kallistusvipu	B-18	Vasen ja oikea pussitukikannatin
B-19	Poikkipalkki	B-20	M8X40 pultti
B-21	M8X25 pultti	B-22	M8 mutteri

FI

KOKOAMINEN

OHJAUSPYÖRÄN ASENNUS (Kuva C1)

C1-1	Ohjauspylväs	C1-2	Ohjauspyörä
C1-3	Keskilinja	C1-4	Aluslevy
C1-5	Mutteri	C1-6	18 mm hylsyavain
C1-7	Pölysuoja		

ISTUIMEN ASENTAMINEN (Kuva C2)

VAROITUS: Turvalukitusjärjestelmää ei saa irrottaa tai ohittaa. Muutoin traktori saattaa toimia odottamattomalla tavalla ja aiheuttaa henkilövahingon.

C2-1	Istuin	C2-2	Mutteri (M8)
C2-3	Lukkopultti	C2-4	Liitäntä
C2-5	Pistoke		

RUOHOPUSSIN ASENNUS (Kuva C3–C8)

C3-1	U-muotoinen kannatin	C3-2	Pussi
C3-2	4 sarjaa pultteja ja muttereita (M8 X 40)	C3-4	Yhdistelmäavain
C4-1	Sivukannattimet	C4-2	4 sarjaa pultteja ja muttereita (M8 X 40)
C4-3	Yhdistelmäavain	C5-1	Kallistusvipu
C5-2	1 pultti- ja mutterisarja (M8 X 40)	C5-3	Yhdistelmäavain
C6-1	Pussin tukikannattimet	C6-2	4 sarjaa pultteja ja muttereita (M8 X 25)
C6-3	Yhdistelmäavaimet	C7-1	Poikkipalkki
C7-2	2 mutteria (M8)	C7-3	Yhdistelmäavain

FI SÄÄTÖ

ENNEN SÄÄTÖÄ (Kuva D1)

LEIKKUULAITTEEN KORKEUDEN SÄÄTÄMINEN (Kuva D2)

KANNATINPYÖRIEN SÄÄTÄMINEN (Kuva D3 – D6)

D3-1	Kannatinpyörät	D5-1	Mutteri
D5-2	Korvakkeen pultti	D6-1	Leikkuulaitteen korkeuden säätölevy

ISTUIMEN SÄÄTÄMINEN (Kuva D7)

D7-1	Istuimen asennon säätövipu
------	----------------------------

KÄYTTÖ

ENNEN KÄYTTÖÄ (Kuva E1)

SEISONTAJARRUN ASETTAMINEN (Kuva E2)

E2-1	Seisontajarrun asento	E2-2	Vapautettu asento
------	-----------------------	------	-------------------

VAROITUS: SEISONTAJARRUPOLJIN EI HIDASTA AJONOPEUTTA. ÄLÄ KOSKAAN YRITÄ PAINAA SEISONTAJARRUPOLJINTA HIDASTAAKSESI AJONOPEUTTA AJON AIKANA. KUN SEISONTAJARRUPOLJIN ON PAINETTU ALAS, MUTTA SE EI OLE KYTKETTY SEISONTAJARRUASENTOON, SÄHKÖJARRU EI ENÄÄ TOIMI JA TRAKTORI PYSÄHTYY TASAISILLA PINNALLA. MUTTA JOS TÄMÄ TAPAHTUU RINTEESSÄ, TRAKTORI SAATTAÄ LIUKUA RINNETTÄ ALAS, KUN SEISONTAJARRUPOLJIN VAPAUTETAAN.

VAROITUS: VEDÄ SEISONTAJARRUN LUKITUSVIPU YLÖS JA PAINA SEISONTAJARRUPOLJIN VÄLITTÖMÄSTI SEISONTAJARRUASENTOON KYTKÄÄKSESI SEN HÄTÄTAPAUKSESSA, TRAKTORI PYSÄHTYY VÄLITTÖMÄSTI EIKÄ LIU'U ALAS RINNETTÄ.

AKUN KIINNITTÄMINEN/IRROTTAMINEN (Kuva E3 – E6)

Traktori vaatii käynnistyäkseen vähintään 15 Ah:n EGO-akut (2 X BA4200/BA4200T). Parhaan suorituskyvyn saamiseksi suositellaan EGO-akkuja, joiden yhteiskapasiteetti on vähintään 30 Ah.

E3-1	Leikkuulaitteen vapautuspainike	E5-1	Akun vapautuspainike
------	---------------------------------	------	----------------------

TRAKTORIN LATAAMINEN

Käytä vain suositeltujen akkujen ja latureiden kanssa.

- Lataa akut erikseen (kuva E7)

HUOMAUTUS: Katso tarkat ohjeet vastaavista akun ja laturin käyttöoppaista.

- Lataa akut latausportin kautta (kuva E8 – E10)

E10-1	Pölysuojus	E10-2	Latausliitäntä
-------	------------	-------	----------------

TARKISTA TURVALUKITUSJÄRJESTELMÄ

- Leikkuulaitteen teräjärjestelmän testaaminen (kuvat E11 – E12)
- Ajojärjestelmän testaaminen (kuvat E13 – E14)

Jos leikkuulaitejärjestelmä ja/tai ajojärjestelmä ei pysähdy, kun käyttäjä nousee istuimelta ylös, tarkista, että istuimen pistokeliitäntä on kunnolla yhdistetty. Jos syytä ei pystytä määrittämään, ota yhteys EGO-asiakaspalveluun välittömästi.

VIESTINTÄTEKNIikka

Jos haluat tietoja yhdistettyjen tuotteiden ja palveluiden koko valikoimasta, mukaan lukien yhdistämishjeet, skannaa alla oleva QR-koodi tai käy osoitteessa www.egopowerplus.eu/connect.



TARKISTUSLISTA ENNEN KÄYTTÄMISTÄ

- Varmista, ettei työskentelyalueella ole lapsia, sivullisia tai lemmikkieläimiä.
- Tyhjennä alue esineistä, jotka voivat sinkoutua traktorin teristä.
- Puhdista roskat traktorista.
- Tarkista löystyneet kiinnikkeet.
- Tarkista, että kaikki suojukset ovat paikoillaan ja toimivat kunnolla.
- Tarkista silmämääräisesti, että renkaissa on ilmaa.
- Tarkista jarrun toiminta.
- Säädä leikkuulaitteen korkeus nurmikolle parhaiten sopivaan leikkuuasentoon ja säädä kannatinpyörät sen mukaan.
- Säädä istuimen asentoa, ja varmista, että molemmat polkimet ovat ulottuvillasi.

- Tarkista akun varaustaso.
- Testaa turvalukitusjärjestelmä.
- Varmista, että ruohopussi on asennettu oikein.

TRAKTORIN KÄYNNISTYS (KUVAT E15 – E16)

VAROITUS: Vältä äkillisiä käynnistyksiä, pysäytyksiä ja kääntymisiä sekä liian kovaa nopeutta etenkin silloin, kun opettelet vasta käyttämään traktoria. Traktori voi kääntyä nopeasti, mikä voi aiheuttaa hallinnan menetyksen ja johtaa vakavaan henkilövahinkoon ja/tai vaurioon.

VAROITUS: Tarkista ennen traktorin käynnistämistä, että terät kytkeytyvät pois päältä 5 sekunnissa, kun painat PTO-kytkimen alas. Jos terät eivät pysähdy, älä käytä traktoria. Ota välittömästi yhteyttä EGO-asiakaspalveluun.

HUOMAA:

- Jos seisontajarrupoljin on asetettu seisontajarruasentoon, sinun tarvitsee vain painaa käynnistys-/pysäytyspainiketta 3 sekunnin ajan LCD-näytön syyttämiseksi ja seisontajarrupolkimen vapauttamiseksi ennen traktorin ajamista.
- Leikkuuterät voidaan käynnistää milloin tahansa, kun LCD-näyttö on täysin valaistu ja kun suunnan ohjausvipua ei ole vedetty taaksepäin "R"-suuntaan. Jos haluat kytkeä terät päälle traktorin liikkuessa taaksepäin, katso tämän käyttöoppaan kohta "TERIEN KYTKEMINEN PÄALLE TAAKSEPÄIN AJETTAESSA".

HUOMAUTUS: Noudata kuvaa E17 käyttääksesi hitainta ajonopeutta siihen saakka, kunnes osaat käyttää traktoria täydellisesti kaikissa tilanteissa.

Sähkökäyttöinen ruohotraktori ei muista ajonopeusasetuksia tai terän nopeusasetuksia. Ajonopeus ja terän nopeus palautuvat tasolle 2 aina, kun traktori sammutetaan.

Ajonopeuden säätö (kuva E17)

Terän nopeuden säätö (kuva E18)

HUOMAUTUS: Kun olet "tasolla 3", paina terän nopeuden säätöpainiketta uudelleen, jolloin terän nopeus palautuu edelliseen nopeuteen.

LED-valot (kuva E19)

- LED-etuvalot voidaan kytkeä päälle ja pois päältä LED-valokytkimellä.

USB-portti

HUOMAUTUS: USB-portti tuottaa 5 voltin DC-lataustehon yhteensä 1,5 ampeeria ja se saa virtaa vain traktorin käynnistyksen yhteydessä

TRAKTORIN PYSÄYTTÄMINEN (Kuva E20)

VAROITUS: Aseta seisontajarrupoljin aina seisontajarruasentoon, kun traktori pysähtyy ajamaan rinteessä, muutoin traktori voi liukua rinnettä alas, mikä voi aiheuttaa vakavia traktorin vaurioita tai henkilövahinkoja!

HUOMAA: Tilanteessa, jossa seisontajarrupoljin on asetettu seisontajarruasentoon ja kuljettaja on poissa istuimelta, mutta akkuja ei ole irrotettu:

- Jos LCD-näyttö sammutetaan, akun merkkivalot, käynnistys/pysäytyspainike ja CCS-painike palavat 1 tunnin ajan.
- Jos LCD-näytössä näkyy "akkutehomittari" tai käyttäjän käyttöliittymä, traktori sammuu automaattisesti 1 tunnin kuluttua.

Hätäkäyttötila

Kun akun lataus laskee kriittisen alhaiseksi, traktori siirtyy hätäkäyttötilaan säästääkseen tarpeeksi virtaa matkaan takaisin latausalueelle.

- Terät kytkeytyvät hitaaseen pyörimisnopeuteen, jolla voi leikata vain hyvin vähän ruohoa. Kun terät kohtaavat korkean ja tiheän ruohon, ne lakkaavat pyörimästä. Ääni-ilmaisim kuuluu (piippaus) ajoittain.
- Traktorin tilan merkkivalo vilkkuu punaisena sekunnin välein ja hälytyskuvake (virta vähissä) ja kunkin varatun akkulokeron kuvake vilkkuvat.

Käyttäjän pitää:

- Paina PTO-kytkin alaspäin sammuttaaksesi terämootorit. Äänimerkki lakkaa kuulumasta, kun terämootorit pysähtyvät.
- Lopeta työskentely ja siirry latausalueelle mahdollisimman pian. Enimmäismatka, jonka traktori voi liikkua on 1000 metriä.

Kun akku on lähes tyhjä, hälytyskuvake (virta vähissä) ja kunkin varatun akkulokeron kuvake vilkkuvat puolen sekunnin välein. Traktori lopettaa toiminnan välittömästi. Käyttäjän on kuljettettava traktori latausalueelle latausta varten.

HUOMAUTUS: Jos traktori vaatii käsin työntämistä, varmista, että akut on irrotettu traktorista ja seisontajarrupoljin on vapautettu jarrutusasennosta.

TRAKTORIN AJAMINEN (Kuva E21)

VAARA: Pysy vähintään kahden leikkuuleveyden päässä ojista, pudotuksista tai vesistä. Etupyörät voivat pyöriä, kun traktori pysäytetään, vaikka jarru olisi painettuna, ja se voi aiheuttaa traktorin kulkemisen reunan yli tai putoamisen veteen, mikä johtaa kuolemaan tai vakavaan henkilövahinkoon.

VAROITUS: Älä käytä traktoria yleisillä teillä.

VAROITUS: Jos tulee tukos tai leikkuri osuu vieraaseen esineeseen, sammuta moottorit ja poista akut. Poista ruohot, lehdet, lika ja muut roskakertymät. Tarkista traktori huolellisesti vaurioiden varalta ja korjaa vauriot ennen traktorin uudelleen käynnistämistä tai käyttämistä.

HUOMAA:

- Kun poistut istuimelta ajon aikana, traktorin tilan merkkivalo sammuu. Kun aloitat ajamisen uudelleen, istu takaisin istuimelle ja paina seisontajarrupoljin kokonaan alas, jotta traktorin tilan merkkivalo palaa vihreänä.
- Kun vaihdat ajon aikana eteenpäin ja taaksepäin, siirrä ajosuunnan ohjausvipu suoraan toisesta päästä toiseen pysähtymättä neutraaliasentoon, muuten traktori saattaa pysähtyä.


VAKIONOPEUSSÄÄTIMEN (CCS) KÄYTTÄMINEN

Vakionopeussäätimen (CCS) aktivointi (kuva E22)



HUOMAUTUS: LCD-näytössä näkyvä ajonopeustaso ei välttämättä vastaa tarkasti traktorin todellista ajonopeutta vakionopeussäätimessä. Paina nopeudensäätöpainiketta ”päivittääksesi” ajonopeustason LCD-näytössä.

Voit pysäyttää (lopettaa) vakionopeudensäätimen (CCS) valitsemalla yhden kolmesta tavasta:

- Painamalla kaasupolkimen pohjaan asti ja pitämällä painettuna. CCS-toiminto pysähtyy ja traktori jatkaa ajamista.
- Painamalla kaasupoljinta kevyesti ja vapauttamalla se sitten. Traktori ja CCS-toiminto pysähtyvät.
- Painamalla CCS-painiketta. Traktori ja CCS-toiminto pysähtyvät.

HUOMAUTUS: Kun CCS on pysäytetty, kuvake ”” katoaa LCD-näytöstä ja äänimerkki kuuluu kaksi kertaa.

FI

HUOMAUTUS: Jos seisontajarrupoljin painetaan alas, traktori pysähtyy, mutta LCD-näytössä vilkkuu kuvake ”” CCS-järjestelmän valmiustilan merkiksi. Vapauta silloin seisontajarrupoljin ja paina CCS-painiketta. Traktori jatkaa ajamista automaattisesti ja kuvake ”” lakkaa vilkkumasta.

TERIEN KYTKEMINEN PÄÄLLE AJETTAESSA TAAKSEPÄIN

HUOMAUTUS: Leikkuuta taaksepäin ei suositella.

VAROITUS: Ole erittäin varovainen leikatessasi taaksepäin. Varmista aina, että työalueelle ei pääse henkilöitä, etenkin pieniä lapsia, ennen kuin leikkaat taaksepäin ja leikkaamisen aikana.

VAROITUS: Käyttäjien näkyvyys voi heikentyä, kun he käyttävät pussisarjalla varustettua traktoria. Erittäin suurta varovaisuutta on noudatettava ja ympäristö tunnettava ennen taaksepäin leikkaamista ja leikkaamisen aikana.

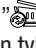

TAAKSEPÄIN LEIKKUUN aktivoiminen (E23)

Voit lopettaa TAAKSEPÄIN LEIKKUUN valitsemalla yhden neljästä tavasta:

- Paina LEIKKUUN TAAKSEPÄIN -painiketta kerran.
- Nouse ylös traktorin istuimelta.
- Sammuta LCD-näyttö painamalla käynnistys-/pysäytyspainiketta 3 s ajan.
- Irrota turva-avain tai irrota akku (akut) traktorin sammuttamiseksi.

HUOMIO: Kun TAAKSEPÄIN LEIKKUUN on pysäytetty, LCD-näytössä palaa kuvake ””.

RUOHOPUSSIN TYHJENTÄMINEN (Kuva E24)

HUOMAUTUS: Kun ””-kuvake vilkkuu LCD-näytössä, ruohopussi on täynnä. Kun pussi on tyhjenetty, symboli ”” katoaa LCD-näytöstä.

HUOMAUTUS: Ruohopussi on asetettava kunnolla traktoriin, muutoin traktoria voidaan ajaa, mutta terämoottoreita ei voida kytkeä päälle.

HUOLTAMINEN

VAROITUS: Käytä aina sellaisia suojalaseja, joissa on sivusuojat. Tämän ohjeen noudattamatta jättäminen saattaa aiheuttaa esineiden sinkoutumisen silmiin ja mahdollisen vakavan henkilövahingon.

VAROITUS: Suojaa aina kätesi paksuilla käsineillä tai käärimällä leikkauspinnat riepuihin tai muihin materiaaleihin silloin, kun teet kunnossapitotoimia traktorin terälle. Poista aina turva-avain ja akut, kun huollat tai kuljetat traktoria.

SUOSITELTU HUOLTOAIKATAULU

Kunnossapitoväli	Huoltotoimenpide
Ennen jokaista käyttökertaa tai päivittäin	<ul style="list-style-type: none"> ▪ Tarkista turvalukitusjärjestelmä. ▪ Tarkista silmämääräisesti, että renkaissa on ilmaa. ▪ Tarkista terät. ▪ Tarkista ennen jokaista käyttökertaa laite kokonaan vahingoittuneiden, puuttuvien tai löystyneiden osien varalta, kuten sivupoistokouru, ruuvit, mutterit, pultit, kannet ym., ja varmista, että kaikki suojukset ovat paikoillaan ja toimivat kunnolla. ▪ Tarkista ja varmista, että kaasupoljinta voidaan painaa ja se voidaan vapauttaa kunnolla. ▪ Tarkista ohjauspyörän vaimennin. Ohjauspyörää tulee kääntää tietyllä vastuksella.
Jokaisen käyttökerran jälkeen	<ul style="list-style-type: none"> ▪ Puhdista traktori ja pese leikkuulaite.
25 tunnin välein	<ul style="list-style-type: none"> ▪ Tarkista rengaspaine.
100 tunnin välein	<ul style="list-style-type: none"> ▪ Tarkista takapyörät. Varmista, että kaikki pyöränmutterit on kiristetty suositeltuun momenttiin (101–103 Nm). ▪ Tarkista etupyörät. Varmista, että mutteri on kiristetty suositeltuun momenttiin (90–92 Nm).
200 tunnin välein	<ul style="list-style-type: none"> ▪ Tarkista etupyörät. Varmista, että ne kääntyvät vapaasti.
Puolen vuoden välein	<ul style="list-style-type: none"> ▪ Tarkista seisontajarrupoljin. Irrota akku traktorista, vedä seisontajarrun lukitusvipu ylös ja paina seisontajarrupoljinta seisontajarrun kytkemiseksi. Työnnä traktoria manuaalisesti eteenpäin, jotta näet, voidaanko traktoria siirtää ilman, että takapyörät pyörivät. Jos traktori liikkuu ja takapyörät pyörivät, ota yhteys EGO:n asiakaspalvelukeskukseen korjausta varten.

Ennen varastointia	<ul style="list-style-type: none"> Poista akut traktorista. Irrota turva-avain traktorista. Suorita kaikki yllä luetellut huoltotoimenpiteet ja puhdista traktori perusteellisesti. Tarkista koko tuote vaurioituneiden, puuttuvien tai löystyneiden osien varalta, vaihda tai kiristä vastaavat osat ennen varastointia.
Vuosittain	<ul style="list-style-type: none"> Voitele etupyörien akseliholkit.

YLEINEN KUNNOSSAPITO

Ruohon tyhjentäminen (kuvat F1 – F3)

Traktorin kotelon puhdistaminen (kuva F4)

Pesuportin käyttäminen traktorin leikkuulaitteen puhdistamisessa (kuvat F5 – F6)

F5-1	Pesuportti	F5-2	Pesuportin pikaliitin
F5-3	Puutarhaletku		

HUOMAUTUS: Kun olet lopettanut puhdistuksen, sammuta traktori kokonaan ja irrota sitten puutarhaletku ja pikaliitin.

TRAKTORIN LEIKKUULAITTEEN JA LEIKKUUTERIEEN KUNNOSSAPITO

Valmistelu (kuva G1)

Leikkuulaitteen poistaminen (kuvat G2 – G3)

G2-1	Moottorikaapeli	G2-2	Saksisokka
G2-3	Jousikannatus		

Leikkuuterien vaihtaminen (kuvat G4 – G6)

G4-1	Vakauslaite	G5-1	Pultti
G5-2	Aluslevy	G5-3	Terä
G5-4	Laippa	G5-5	Moottorin kara

Leikkuulaitteen tasapainotus

- Milloin tasapainotus tehdään (kuvat G7 / G8 / G9)
- Ennen tasapainotusta
 - Kylmien renkaiden paineen tarkistaminen (kuva G10)
 - Tarkista leikkuuterät. Poista ja vaihda kuluneet, murtuneet ja/tai taipuneet terät tarvittaessa.
- Tasapainotuksen valmistelu (kuva G11)
- Tasapainotuksen suorittaminen
 - Sivusuuntaisen säädön tekeminen (kuva G12)
 - Etu-takasäädön tekeminen (kuva G13)

VARASTOINTI JA KULJETUS

TRAKTORIN KULJETUS (kuva H1 – H5)

H2-1	Rampit	H2-2	Hihnat
------	--------	------	--------

HUOMAUTUS: Kiinnitä traktori kuljetuksen ajaksi tarpeen mukaan hihnoilla tai vajjereilla, jotta se ei pääse liikkumaan.

VARASTOINTI (kuva I1 – I2)

HUOMAUTUS: Irrota ja säilytä akut erikseen katso vastaavat käyttöohjeet.

Puhdista ja tarkista traktori ennen varastointia kohtien ”YLEINEN HUOLTO” ja ”SUOSITELLUT HUOLTOSUUNNITELMAT” mukaan.


Ympäristönsuojelu



WEEE (Sähkö- ja elektroniikkalaiteromu) Älä hävitä sähkölaitteita, tyhjiä akkuja ja akkulatureita kotitalousjätteen seassa! Vie tämä tuote hyväksytyyn kierrätyspaikkaan tai anna se erilliseen keräilyyn. Sähkötyökalut tulee palauttaa asianmukaiseen ympäristöstävälliseen kierrätyslaitokseen.

VIANMÄÄRITYS

ONGELMA	SYY	RATKAISU
<p>FI</p> <p>Sähkökäyttöinen ruohotraktori ei lähde liikkeelle, kun kaasupoljinta painetaan.</p>	<ul style="list-style-type: none"> Asetettujen akkujen yhteinen Ah ei täytä vaatimusta. 	<ul style="list-style-type: none"> Käynnistäaksesi tämän traktorin, käytä riittävästi EGO-akkuja tämän käyttöoppaan kohdassa ”AKUN KIINNITTÄMINEN/IRROTTAMINEN” annettujen ohjeiden mukaisesti.
	<ul style="list-style-type: none"> Seisontajarrupoljin on jarrutusasennossa. 	<ul style="list-style-type: none"> Paina seisontajarrupoljin täysin pohjaan vapauttaaksesi seisontajarruasennon.
	<ul style="list-style-type: none"> Traktorin tilan merkkivalo ei pala vihreänä. 	<ul style="list-style-type: none"> Paina seisontajarrupoljin alas ja vapauta se sitten. Traktorin tilan merkkivalo palaa vihreänä, mikä tarkoittaa sitä, että traktori on valmis käynnistettäväksi.
	<ul style="list-style-type: none"> Käyttäjä ei istu istuimessa. 	<ul style="list-style-type: none"> Traktoria voidaan käyttää vain, kun käyttäjä istuu kunnolla istuimella.
	<ul style="list-style-type: none"> Istuimen turvalukitusjärjestelmää ei ole kytketty kunnolla. 	<ul style="list-style-type: none"> Irrota akut traktorista ja nosta istuimen selkänoja ylös varmistaaksesi, että kaapelipistoke on kunnolla kiinni istuimen pohjassa olevassa pistorasiassa (katso luku ”ISTUIMEN ASENNUS”). Noudata kohdan ”TRAKTORIN KÄYNNISTYS” ohjeita traktorin käynnistämiseksi uudelleen, jotta näet, käynnistyykö traktori. Jos ei käynnisty, ota yhteyttä EGO-asiakaspalveluun korjausta varten.
	<ul style="list-style-type: none"> Erittäin kylmässä säässä ajotoiminto ei ehkä käynnisty alhaisen lämpötilan suojan takia. 	<ul style="list-style-type: none"> Varastoi traktori ja akut aina lämpimässä tilassa. Käynnistä traktori uudelleen, kun se on lämmennyt. Älä yritä toistuvasti äärimmäisen kylmällä säällä, se voi vaurioittaa konetta.
	<ul style="list-style-type: none"> Kaasupolkimen liikerata on tukossa roskista. 	<ul style="list-style-type: none"> Tarkista ja poista roskat.
	<ul style="list-style-type: none"> Vika kaasupolkimen mekaanisissa tai elektronisissa osissa. Suunnan ohjausvipu on asetettu neutraaliasentoon. 	<ul style="list-style-type: none"> Ota yhteyttä EGO-asiakaspalveluun korjausta varten. Työnnä/vedä suunnan ohjausvipu suuntaan ”D” tai ”R”.

ONGELMA	SYY	RATKAISU
Sähkökäyttöinen ruohotraktori pysähtyy.	<ul style="list-style-type: none"> ▪ Kun vaihdetaan eteenpäin ja taaksepäin ajon aikana, suunnan ohjausvipu pysyy pitkään neutraaliasennossa. 	<ul style="list-style-type: none"> ▪ Vapauta kaasupoljin ja paina sitä sitten uudelleen.
	<ul style="list-style-type: none"> ▪ Vika kaasupolkimen elektronisissa osissa. 	<ul style="list-style-type: none"> ▪ Ota yhteyttä EGO-asiakaspalveluun korjausta varten.
	<ul style="list-style-type: none"> ▪ Istuimen turvalukitusjärjestelmä irtosi ajon aikana epätasaisessa maastossa. 	<ul style="list-style-type: none"> ▪ Irrota akut traktorista ja nosta istuimen selkänoja ylös varmistaaksesi, että kaapelipistoke on kunnolla kiinni istuimen pohjassa olevassa pistorasiassa (katso luku ”ISTUIMEN ASENNUS”). Noudata kohdan ”TRAKTORIN KÄYNNISTYS” ohjeita traktorin käynnistämiseksi uudelleen, jotta näet, käynnistyykö traktori. Jos ei käynnisty, ota yhteyttä EGO-asiakaspalveluun korjausta varten.
	<ul style="list-style-type: none"> ▪ Kuljettajan paino ei ole jakautunut tasaisesti istuimelle. Istuimella olevan käyttäjän painon on oltava vähintään 20 kg, jotta istuimen turvalukitusjärjestelmä toimisi kunnolla. 	<ol style="list-style-type: none"> 1. Istu istuimelle kunnolla, paina seisontajarrupoljin kokonaan alas ja vapauta se, niin traktori on valmis ajettavaksi. 2. Irrota ja kiinnitä akut tarvittaessa uudelleen.
	<ul style="list-style-type: none"> ▪ Kun seisontajarrupoljinta painetaan tarpeeksi, mutta ei lukita pysäköintiasentoon, traktori pysähtyy. 	<ul style="list-style-type: none"> ▪ Noudata kohdan ”TRAKTORIN KÄYNNISTYS” ohjeita traktorin käynnistämiseksi uudelleen.
Sähkökäyttöinen ruohotraktori ei käynnistä teriä, kun PTO-kytkin aktivoidaan.  PTO-kytkinkuvake vilkkuu	<ul style="list-style-type: none"> ▪ Asetettujen akkujen yhteinen Ah ei täytä vaatimusta. 	<ul style="list-style-type: none"> ▪ Käynnistäaksesi tämän traktorin, käytä riittävästi EGO-akkuja tämän käyttöoppaan kohdassa ”AKUN KIINNITTÄMINEN/IRROTTAMINEN” annettujen ohjeiden mukaisesti.
	<ul style="list-style-type: none"> ▪ PTO-kytkintä ei painettu alas, kun traktori sammutettiin viimeksi. 	<ul style="list-style-type: none"> ▪ Paina PTO-kytkin alas ja sitten ylös käynnistäaksesi terämootorit uudelleen.
	<ul style="list-style-type: none"> ▪ Traktori on ylikuormitettu sillä hetkellä, kun terät alkavat pyöriä, mikä laukaisee terämootorin itsesuojauksen. 	<ul style="list-style-type: none"> ▪ Käynnistä ruohonleikkuu ensin hitaalla terän nopeudella, äläkä nosta terän nopeutta ennen kuin terät pyörivät kunnolla.
	<ul style="list-style-type: none"> ▪ Erittäin kylmässä säässä terämootori ei ehkä käynnisty alhaisen lämpötilan suojan takia. 	<ul style="list-style-type: none"> ▪ Varastoi traktori ja akut aina lämpimässä tilassa. Käynnistä traktori uudelleen, kun se on lämmennyt. Älä yritä toistuvasti äärimmäisen kylmällä säällä, se voi vaurioittaa konetta.
	<ul style="list-style-type: none"> ▪ Traktorin vääntynyt leikkuulaite häiritsee terää 	<ul style="list-style-type: none"> ▪ Ota yhteyttä EGO-asiakaspalveluun korjausta varten.
	<ul style="list-style-type: none"> ▪ Ruohopussia ei ole asennettu oikein. 	<ul style="list-style-type: none"> ▪ Asenna ruohopussi asianmukaisesti käyttöoppaan kohdan ”RUOHOPUSSIN ASENNUS” mukaisesti.

ONGELMA	SYY	RATKAISU
FI Terät lakkaavat toimimasta ruohonleikkuun aikana.	<ul style="list-style-type: none"> Traktori on ylikuormitettu. 	<ul style="list-style-type: none"> Nosta leikkuulaitteen leikkuukorkeutta tai hidasta ajonopeutta, jotta saat vähennettyä traktorin kuormitusta.
	<ul style="list-style-type: none"> Leikkuulaite on täynnä ruohoa ja irtainesta. 	<ul style="list-style-type: none"> Puhdista leikkuulaite, ja varmista, että terät liikkuvat vapaasti.
	<ul style="list-style-type: none"> Traktori on ylikuumentunut. 	<ul style="list-style-type: none"> Vähennä traktorin kuormitusta nostamalla leikkuulaitteen leikkuukorkeutta tai hidastamalla terien nopeutta / ajonopeutta ja antamalla traktorin jäähtyä.
	<ul style="list-style-type: none"> Traktorin akkulokerossa olevat akut ovat ylikuumentuneet, mikä johtaa siihen, että kaikkien asetettujen akkujen yhteinen Ah ei täytä vaatimusta. 	<ol style="list-style-type: none"> Traktori jatkaa toimintaa, jos akkujen yhteinen Ah-arvo, ylikuumentunut akku pois lukien, täyttää vaatimuksen. Kun ylikuumentunut akku on jälleen normaalissa lämpötilassa, se alkaa antamaan virtaa traktorille välittömästi. Jos akkujen yhteinen Ah-arvo ei täytä vaatimusta, traktori ei toimi ennen kuin akkuja on asetettu lisää tyhjiin akkupaikkoihin. Vähennä traktorin kuormitusta nostamalla leikkuulaitteen leikkuukorkeutta tai hidastamalla ruohonleikkunopeutta, kun jatkat työskentelyä.
	<ul style="list-style-type: none"> Traktori on hätäkäyttötilassa. 	<ul style="list-style-type: none"> Kun traktori on hätäkäyttötilassa, terät kytkeytyvät automaattisesti hitaaseen pyörimisnopeuteen. Käyttäjän on lopetettava työskentely ja ajettava akun latausalueelle mahdollisimman pian.
	<ul style="list-style-type: none"> Traktori on osunut vieraaseen esineeseen ja moottorin itsesuojaus on lauennut. 	<ul style="list-style-type: none"> Paina PTO-kytkin alas ja sitten ylös käynnistäaksesi terämoottorit uudelleen.
	<ul style="list-style-type: none"> Traktori liikkuu taaksepäin, kun LCD-näytössä palaa LEIKKU TAAKSEPÄIN POIS -kuvake. 	<ul style="list-style-type: none"> Paina PTO-kytkin alas ja käynnistä terämoottorit uudelleen kohdan "Aktivoi LEIKKU TAAKSEPÄIN" ohjeiden mukaisesti.
Merkkiääni-ilmaisimien jatkaa kuulamista.	<ul style="list-style-type: none"> Traktori on hätäkäyttötilassa, eikä teriä ole kytketty pois päältä. 	<ul style="list-style-type: none"> Paina PTO-kytkin alas sammuttaaksesi terämoottorit. Äänimerkki-ilmaisimien lakkaa kuulamista, kun terämoottorit sammutetaan.
	<ul style="list-style-type: none"> Traktori pysähtyy rinteessä ja käyttäjä nousee istuimelta asettamatta seisontajarrupoljinta seisontajarruasentoon. 	<ul style="list-style-type: none"> Aseta seisontajarrupoljin seisontajarruasentoon, ennen kuin jätät traktorin rinteeseen.
Akkujen virran merkkivalot palavat edelleen, kun traktori on sammutettu.	<ul style="list-style-type: none"> Kun traktori kytketään pois päältä tasaisella alustalla irrottamatta akkua (akkuja) traktorista, virran merkkivalot palavat jonkin aikaa. 	<ul style="list-style-type: none"> Mitään toimenpiteitä ei tarvita. Akkujen merkkivalot sammuvat, kun traktori sammuu tietyn ajan kuluttua. Katso tiettyä aikaa koskevat tiedot kohdasta "TRAKTORIN PYSÄYTTÄMINEN".
	<ul style="list-style-type: none"> Kun traktori sammutetaan rinteessä seisontajarrua kytkemättä, akkujen virran merkkivalot palavat, kunnes akun varaus on tyhjä. Merkkiääni-ilmaisimien kuuluu samanaikaisesti. 	<ul style="list-style-type: none"> Aseta seisontajarrupoljin seisontajarruasentoon, ennen kuin jätät traktorin rinteeseen. Muuten traktori voi liukua rinnettä alas.

ONGELMA	SYY	RATKAISU
LCD-näyttö ei syty kaikkien kuvakkeiden kanssa.	<ul style="list-style-type: none"> Käynnistys/pysäytyspainiketta ei ole painettu riittävän kauan. 	<ol style="list-style-type: none"> LCD-näytössä näkyy "akkutehomittari" vain, kun käynnistys-/pysäytyspainiketta painetaan lyhyesti. LCD-näyttö kytkeytyy päälle, kun seisontajarrupoljin on painettu kokonaan alas ja käynnistys-/pysäytyspainiketta on painettu riittävän kauan samanaikaisesti.
	<ul style="list-style-type: none"> Kun turva-avaimen kuvake "🔑" vilkkuu LCD-näytössä, turva-avainta ei ole asetettu. 	<ul style="list-style-type: none"> Työnnä turva-avain paikalleen, paina seisontajarrupoljin kokonaan alas ja paina käynnistys-/pysäytyspainiketta riittävän kauan samanaikaisesti LCD-näytön kytkemiseksi päälle.
	<ul style="list-style-type: none"> Kun seisontajarrun kuvake "Ⓜ" vilkkuu LCD-näytössä, seisontajarrupoljin ei ole täysin painettuna. 	<ul style="list-style-type: none"> Työnnä turva-avain paikalleen, paina seisontajarrupoljin kokonaan alas ja paina käynnistys-/pysäytyspainiketta riittävän kauan samanaikaisesti LCD-näytön kytkemiseksi päälle.
Traktori leikkaa epätasaisesti, merkittävä korkeusero edessä ja takana.	<ul style="list-style-type: none"> Terät ovat tylsät. 	<ul style="list-style-type: none"> Teroita tai vaihda leikkuuterät tämän käyttöoppaan ohjeiden mukaisesti.
	<ul style="list-style-type: none"> Terät ovat taipuneet. 	<ul style="list-style-type: none"> Vaihda taipuneet leikkuuterät osion "Leikkuuterien vaihtaminen" ohjeiden mukaisesti.
	<ul style="list-style-type: none"> Leikkuulaite ei ole tasapainossa, mikä johtaa leikkuuterien korkeuseroihin. 	<ul style="list-style-type: none"> Tasapainota leikkuulaite osion "Leikkuulaitteen tasapainotus" ohjeiden mukaisesti.
Todellinen ruohon leikkuukorkeus ei täsmää halutun korkeuden kanssa.	<ul style="list-style-type: none"> Leikkuulaitteen jousikannatuksen mutterit ovat löysällä. 	<ul style="list-style-type: none"> Tee leikkuulaitteen etu-takasäätö noudattaen kohdan "Leikkuulaitteen tasapainotus" ohjeita ja kiristä jousikannatuksen mutterit.
	<ul style="list-style-type: none"> Leikkuulaite on vaurioitunut tai erittäin kulunut. 	<ul style="list-style-type: none"> Noudata kohdassa "Leikkuulaitteen irrottaminen" annettuja ohjeita traktorin leikkuulaitteen vaihtamiseksi.
Traktori ei silppua kunnolla.	<ul style="list-style-type: none"> Märät ruohopalat juuttuvat leikkuulaitteen alapuolelle. 	<ul style="list-style-type: none"> Odota, että ruoho kuivuu, ennen kuin jatkat leikkaamista.
	<ul style="list-style-type: none"> Traktori on asetettu leikkaamaan liikaa ruohoa kerralla. 	<ul style="list-style-type: none"> Nosta leikkuulaitteen leikkuukorkeutta.
Liikaa tärinää.	<ul style="list-style-type: none"> Leikkuuterät ovat löysällä. 	<ul style="list-style-type: none"> Kiristä terän pultti suositeltuun momenttiin.
	<ul style="list-style-type: none"> Terät ovat taipuneet. 	<ul style="list-style-type: none"> Vaihda taipuneet leikkuuterät osion "Leikkuuterien vaihtaminen" ohjeiden mukaisesti.
	<ul style="list-style-type: none"> Leikkuulaite ei ole tasapainossa. 	<ul style="list-style-type: none"> Tasapainota traktorin leikkuulaite osion "Leikkuulaitteen tasapainotus" ohjeiden mukaisesti.
	<ul style="list-style-type: none"> Leikkuulaitteen jousikannatuksen mutterit ovat löysällä. 	<ul style="list-style-type: none"> Kiristä jousikannatuksen mutterit.
	<ul style="list-style-type: none"> Leikkuulaite on asetettu leikkaamaan liikaa ruohoa kerralla. 	<ul style="list-style-type: none"> Nosta leikkuulaitteen leikkuukorkeutta.
Maahan jää ruohoa tai roskia leikkaamisen jälkeen.	<ul style="list-style-type: none"> Leikkuulaite on asetettu leikkaamaan liikaa ruohoa kerralla, kun ruoho on pitkää. 	<ul style="list-style-type: none"> Aloita korkeimmalla leikkuukorkeudella ja vähennä korkeutta, kunnes haluttu leikkuutulos saavutetaan. Yli 152 mm:n korkuinen ruoho on ajettava kaksi kertaa peräkkäin pienenevillä leikkuukorkeuksilla.
	<ul style="list-style-type: none"> Ruoho on märkää. 	<ul style="list-style-type: none"> Älä leikkaa, kun ruoho on märkää. Odota, että ruoho kuivuu.
	<ul style="list-style-type: none"> Ajonopeus on korkea. 	<ul style="list-style-type: none"> Hidasta ajonopeutta.
	<ul style="list-style-type: none"> Terän nopeus on hidas. 	<ul style="list-style-type: none"> Nosta terän nopeutta asteittain.
Traktorin lyhyt käyttöaika mukana toimitetuilla akuilla.	<ul style="list-style-type: none"> Nurmikon maasto, ruoho-olosuhteet, leikkuukorkeuden asetus, ajonopeus, terän nopeus jne. vaikuttavat suuresti ajoaikaan. 	<ul style="list-style-type: none"> Nosta leikkuulaitteen leikkuukorkeutta ja hidasta terän nopeutta, jotta saat vähennettyä leikkurin kuormitusta.

ONGELMA	SYY	RATKAISU
Traktori ei liiku suoraan.	<ul style="list-style-type: none"> Vasemman ja oikean pyörän rengaspaineet ovat erilaiset. 	<ul style="list-style-type: none"> Tarkista ja säädä molempien etu-takapyörän renkaiden ilmanpaine tämän käyttöoppaan kohdassa ”TEKNISET TIEDOT” annettujen suositusten mukaisesti.
Seisontajarrupoljinta ei saa vapautettua seisontajarruasennosta tai se palautuu hitaasti.	<ul style="list-style-type: none"> Seisontajarrupolkimen liikerata on tukkeutunut roskista. 	<ul style="list-style-type: none"> Tarkista ja poista roskat.
Traktoria ei voi ladata latausportin kautta, traktorin tilan merkkivalo palaa punaisena.	<ul style="list-style-type: none"> Laturin pistoke ei ole kunnolla kiinni traktorin latausportissa. 	<ul style="list-style-type: none"> Yhdistä laturin pistoke uudelleen ja tarkista latautuuko traktori normaalisti.
	<ul style="list-style-type: none"> Seinäpistorasiassa ei ole virtaa. 	<ul style="list-style-type: none"> Mitään toimenpiteitä ei tarvita. Odota, kunnes virta palautuu.
	<ul style="list-style-type: none"> Laturissa on toimintahäiriö. 	<ul style="list-style-type: none"> Ota yhteyttä EGO:n asiakaspalvelukeskukseen ja pyydä pätevää huoltoteknikkoa tarkastamaan ja/tai tarvittaessa korjaamaan laturi.
	<ul style="list-style-type: none"> Traktorin laturiportti on viallinen. 	<ul style="list-style-type: none"> Ota yhteyttä EGO-asiakaspalveluun korjausta varten.
Latausaika traktorin latausportin kautta on liian pitkä.	<ul style="list-style-type: none"> Lataaminen kestää pitkään käytettäessä EGO-verkkolaitetta ACA1000. 	<ul style="list-style-type: none"> Käytä EGO-laturia CHV1600E sähkökäyttöisen ruohotraktorin suoraan lataamiseen.
Akkuja ei saa ladattua täyteen traktorin latausportin kautta.	<ul style="list-style-type: none"> Traktorin tai akun laiteohjelmistovika tai laturin vika. 	<ul style="list-style-type: none"> Nollaa laturi irrottamalla laturi ja odottamalla useita minutteja. Liitä sitten pistoke takaisin virtalähteeseen. Jos tämä ei ratkaise ongelmaa, soita EGO-asiakaspalveluun.
Traktori ei käynnisty puhdistuksen jälkeen.	<ul style="list-style-type: none"> Virheellinen puhdistaminen, vettä on esimerkiksi päässyt sähköisiin osiin, LCD-näyttöön jne. 	<ol style="list-style-type: none"> Puhdista traktori oikein osion ”YLEINEN KUNNOSSAPITO” ohjeiden mukaisesti. Jos traktori on jäänyt vahingossa sateeseen, anna sen kuivua itsestään tai käytä sen kuivaamiseen paineilmaa.
Leikkuulaite tukkeutuu nopeasti.	<ul style="list-style-type: none"> Leikkuulaitetta ei ole puhdistettu kunnolla edellisen käytön jälkeen. 	<ul style="list-style-type: none"> Puhdista traktorin leikkuulaite jokaisen käyttökerran jälkeen noudattaen osion ”Pesuportin käyttäminen leikkuulaitteen puhdistamiseen” ohjeita.
Traktori menettää helposti pidon ajettaessa rinnettä ylöspäin.	<ul style="list-style-type: none"> Takapyörrien renkaat ovat kuluneet. 	<ul style="list-style-type: none"> Vaihdata pyörän renkaat paikallisessa huoltoliikkeessä.
	<ul style="list-style-type: none"> Ruohonleikkuu jyrkässä rinteessä. 	<ul style="list-style-type: none"> Traktoria ei saa käyttää määritettyä astetta jyrkempien rinteiden leikkaamiseen.
Kun traktori pysäytetään rinteeseen seisontajarrupolkimen ollessa painettuna, traktori rullaa rinnettä alas.	<ul style="list-style-type: none"> Jarruosat ovat liian kuluneet traktorin virheellisen käytön takia. 	<ul style="list-style-type: none"> Ota yhteyttä EGO-asiakaspalveluun korjausta varten.
Pesuportista ei tule vettä, kun yrität pestä kantta.	<ul style="list-style-type: none"> Pesuportin pikaliitintä ei ole kiinnitetty kunnolla pesuportiin. 	<ul style="list-style-type: none"> Kiinnitä pesuportin pikaliitin takaisin painamalla, kunnes kuulet selkeän napsahduksen. Jos se ei toimi, soita EGO-asiakaspalveluun.
Kuuluu epänormaali ääni, kun traktoria työnnetään käsin ilman käynnistämistä.	<ul style="list-style-type: none"> Ääni kuuluu ajomoottorin sisällä olevista magneeteista. 	<ul style="list-style-type: none"> Tämä on normaalia, toimenpiteitä ei tarvita.
Ohjauspyörää ei voi kääntää.	<ul style="list-style-type: none"> Ohjauspyöräkokoontalo on tukossa roskista. 	<ul style="list-style-type: none"> Tarkista ja poista roskat.
Traktori ei käänny vasemmalle/ oikealle, kun ohjauspyörää käännetään.	<ul style="list-style-type: none"> Elektronisten tai mekaanisten komponenttien vika. 	<ul style="list-style-type: none"> Ota yhteyttä EGO-asiakaspalveluun korjausta varten.

ONGELMA	SYY	RATKAISU
Traktori ei pysähdy, kun vapautat kaasupolkimen.	<ul style="list-style-type: none"> ▪ Kaasupolkimen paluuliikerata on tukossa roskista. 	<ul style="list-style-type: none"> ▪ Tarkista ja poista roskat.
	<ul style="list-style-type: none"> ▪ CCS-painiketta on painettu tahattomasti ajon aikana. Traktori on vakionopeussäädintilassa. 	<ul style="list-style-type: none"> ▪ Tarkista, palaako CCS-kuvake LCD-näytössä, ja poistu CCS:stä tarvittaessa. Katso luku "VAKIONOPEUSSÄÄTIMEN (CCS) KÄYTTÄMINEN".
CCS-toimintoa ei voi aktivoida tai sammuttaa.	<ul style="list-style-type: none"> ▪ CCS-painiketta ei ole painettu kunnolla. 	<ul style="list-style-type: none"> ▪ Paina CCS-painiketta, kunnes CCS-kuvake syttyy LCD-näyttöön tai häviää LCD-näytöstä.
Traktorin etupyörät pyörivät epänormaalin äänekkäästi.	<ul style="list-style-type: none"> ▪ Etupyörien akseliholkit on voideltava. 	<ul style="list-style-type: none"> ▪ Irrota akut ja täytä sitten ruiskutusaukot rasvalla, kunnes rasva valuu etupyörien akselihylsyjen ylä- tai alareunan yli.

TRAKTORIN TILATIEDOT

LCD-näyttö	Kuvaus	Traktorin tilan merkkivalo	Ääni-ilmaisoin	Syy	Ratkaisu
	Akkutehmittarin kuvake	Ei pala	Ei	Ilmaisee asetettujen akkujen keskimääräisen varauskapasiteetin.	Tämä on normaalia toimintaa. Mitään toimenpiteitä ei tarvita.
	Tuntimittarin kuvake	Ei pala	Ei	Näyttää traktorin kokonaiskäyttötunnit, ei voi nollata.	Tämä on normaalia toimintaa. Mitään toimenpiteitä ei tarvita.
	Kuormituksen ilmaisinkuvake	Ei pala	Ei	Ilmaisee traktorin nykyisen kuormituksen.	Tämä on normaalia toimintaa. Mitään toimenpiteitä ei tarvita.
	LED-valojen kuvake palaa LCD-näytössä.	Ei pala	Ei	Etuvalot on kytketty päälle LED-valokytkimellä.	Tämä on normaalia toimintaa. Mitään toimenpiteitä ei tarvita.
	Bluetooth-kuvake palaa LCD-näytössä.	Ei pala	Ei	Traktori on yhdistetty mobiililaitteeseen Bluetoothin kautta.	Tämä on normaalia toimintaa. Mitään toimenpiteitä ei tarvita.
	LEIKKUU TAAKSEPÄIN POIS kuvake palaa LCD-näytössä.	Ei pala	Ei	Osoittaa, että teriä ei voi kytkeä päälle, kun traktori liikkuu taaksepäin.	Tämä on normaalia toimintaa. Kytke tarvittaessa terät päälle taaksepäin ajon aikana käyttööppaan kohdan "TERIEN KYTKEMINEN PÄÄLLE TAAKSEPÄIN AJETTAESSA" mukaisesti.
	Ajokuvake palaa LCD-näytössä.	Ei pala	Ei	Osoittaa, että traktoria voidaan ajaa tai että sitä ajetaan eteenpäin.	Tämä on normaalia toimintaa. Aseta suunnan ohjausvipu "D"-, neutraali- tai "R"-asentoon tarpeen mukaan.
	Taaksepäin kuvake näkyy LCD-näytössä.	Ei pala	Ei	Osoittaa, että traktoria voidaan ajaa tai että sitä ajetaan taaksepäin.	
	Ajokuvake ja peruutus kuvake vilkkuvat vuorotellen.	Ei pala	Ei	Osoittaa, että traktoria ei voitu ajaa.	
	Turva-avaimen kuvake palaa.	Ei pala	Ei	Turva-avain on asetettu oikein.	Tämä on normaalia toimintaa. Mitään toimenpiteitä ei tarvita.
	Turva-avaimen kuvake vilkkuu, kun LCD-näytössä näkyy "akkutehmittari".	Ei pala	Ei	Turva-avainta ei ole asetettu.	Aseta turva-avain paikalleen, paina seisontajarrupoljin kokonaan alas ja paina KÄYNNISTYS-/PYSÄYTYS-painiketta samanaikaisesti yli 3 sekunnin ajan traktorin käynnistämiseksi.
				Näppäinohjauspaneelin kotelokokoonpano on rikki.	Ota yhteyttä EGO-asiakaspalveluun korjausta varten.

FI

LCD-näyttö	Kuvaus	Traktorin tilan merkkivalo	Ääni-ilmaisim	Syy	Ratkaisu
	Seisontajarrun kuvake vilkkuu, kun LCD-näytössä näkyy "akkutehomittari".	Ei pala	Ei	Seisontajarrupoljin ei ole painettuna.	Kun turva-avain on paikalleen, paina seisontajarrupoljin kokonaan alas ja paina KÄYNNISTYS-/PYSÄYTYS-painiketta samanaikaisesti yli 3 sekunnin ajan traktorin käynnistämiseksi.
	Seisontajarrun kuvake vilkkuu, kun LCD-näytössä näkyy käyttöliittymä.	Ei pala	Ei	Paina kaasupoljinta ennen seisontajarrupolkimen painamista, jotta traktorin merkkivalo palaa vihreänä.	Käynnistä traktori asianmukaisesti kohdan "TRAKTORIN KÄYNNISTYS" mukaisesti.
	Seisontajarrun kuvake palaa.	Ei pala	Ei	Seisontajarrupoljin on asetettu seisontajarruasentoon.	Vapauta se ennen traktorin käynnistämistä.
	Istuintunnistimen kuvake palaa.	Ei pala	Ei	Käyttäjä poistuu istuimelta tai istuimen turvalukitusjärjestelmä on irrotettu.	Jos käyttäjä istuu istuimessa ja kuvake palaa, lopeta traktorin käyttö välittömästi ja tarkista istuimen liitäntä. Jos istuimen liitäntä traktoriin on oikein, ota yhteyttä pätevään huoltoasentajaan korjausta varten.
	PTO-kytkinkuvake vilkkuu.	Ei pala	Ei	Terämoottoria häirittiin käytön aikana ja PTO-kytkintä ei ole asetettu pois päältä -asentoon.	Ennen kuin käynnistät traktorin uudelleen, sammuta terämoottorit painamalla PTO-kytkin alas. Katso lisätietoa tämän käyttöoppaan osiosta "VIANMÄÄRITYS".
	Tietyn akkulokeron kuvake vilkkuu.	Ei pala	Ei	Tietyissä akussa on ylivirta purkautumisen aikana.	Mitään toimenpiteitä ei tarvita. Traktori jatkaa toimintaa, jos akkujen yhteinen Ah-arvo, ylivirta-akku lukuun ottamatta, on 15 Ah tai enemmän. Kun ylivirta-akku palautuu normaaliksi, se kytkeytyy välittömästi traktorin virransyöttöön ja kuvake katoaa.
	Tyhjän akkulokeron kuvake vilkkuu.	Ei pala	Ei	Akun kapasiteetti ei riitä traktorin käyttämiseen.	Käynnistäaksesi tämän traktorin, käytä riittävästi EGO-akkuja tämän käyttöoppaan kohdassa "AKUN KIINNITTÄMINEN/IRROTTAMINEN" annettujen ohjeiden mukaisesti.
	Lämpötilakuvake ja tarkka varattu akkulokero vilkkuvat samanaikaisesti.	Ei pala	Ei	Vastaavalla numerolla varustetun akkuosaston akku on ylikuumentunut.	<ol style="list-style-type: none"> Traktori jatkaa toimintaa, jos akkujen yhteinen Ah-arvo, ylikuumentunut akku pois lukien, täyttää vaatimuksen. Kun ylikuumentunut akku on jälleen normaalissa lämpötilassa, se alkaa antamaan virtaa traktorille välittömästi. Jos akkujen yhteinen Ah-arvo ei täytä vaatimusta, traktori ei toimi ennen kuin akkuja on asetettu lisää tyhjiin akkupaikkoihin. Vähennä traktorin kuormitusta nostamalla leikkuulaitteen leikkuukorkeutta tai hidastamalla ruohonleikkuunopeutta, kun jatkat työskentelyä.

LCD-näyttö	Kuvaus	Traktorin tilan merkkivalo	Ääni-ilmaisoin	Syy	Ratkaisu
	Lämpötilakuvake vilkkuu.	Ei pala	Yksi merkkiääni	Traktori on ylikuumentunut.	Vähennä traktorin kuormitusta nostamalla leikkuulaitteen leikkuukorkeutta tai hidastamalla terien nopeutta / ajonopeutta. Pidä tauko ja anna traktorin jäähtyä.
				Traktori on liian kylmä.	Älä yritä toistuvasti, sillä se voi vahingoittaa konetta. Varastoi traktori ja akut aina lämpimässä tilassa. Käynnistä traktori uudelleen, kun se on lämmennyt.
	Hälytyskuvake vilkkuu.	Vilkkuu punaisena	Yksi merkkiääni	Terämoottori on ylikuormittunut.	Nosta leikkuulaitteen leikkuukorkeutta tai hidasta ajonopeutta, jolloin saat vähennettyä traktorin kuormitusta.
				Sivupoistokouru on täynnä ruohoa ja roskaa.	Puhdista sivupoistokouru jokaisen käyttökerran jälkeen.
				Terän ja traktorin leikkuulaitteen välillä on häiriö.	Soita EGO:n asiakaspalveluun
	Kunkin varatun akkulokeron kuvake ja hälytyskuvake vilkkuvat LCD-näytössä 1 sekunnin välein samanaikaisesti.	Vilkkuu punaisena	Merkkiääni kuuluu, kunnes PTO-kytkin on painettu alas.	Akkujen varaus on vähissä ja traktori on hätäkäyttötilassa.	Lopeta työskentely ja siirry akun latausalueelle. HUOMAA: Kun traktori on hätäkäyttötilassa, terät kytkeytyvät automaattisesti hitaaseen pyörimisnopeuteen ja samalla ääni-ilmaisoin piippaa jatkuvasti. Käyttäjän pitää painaa PTO-kytkin alas terämoottorien sammuttamiseksi. Merkkiääni lakkaa kuulumasta, kun terät pysähtyvät.
	Kunkin varatun akkulokeron kuvake ja hälytyskuvake vilkkuvat puolen sekunnin välein.	Vilkkuu punaisena	Jatkaa kuulumista	Terämoottoria häirittiin käytön aikana ja PTO-kytkintä ei ole asetettu pois päältä -asentoon.	Traktori lopettaa toiminnan välittömästi. Käyttäjän täytyy kuljettaa traktori akun latausalueelle latausta varten.
	CCS-kuvake palaa LCD-näytössä.	Palaa vihreänä	Ei	Traktori jatkaa eteenpäin asetetulla nopeudella ilman, että kaasupoljinta tarvitsee painaa.	Tämä on normaalia toimintaa. Kytke CCS-toiminto tarvittaessa pois päältä käyttöohjeen kohdan "Vakionopeudensäätimen (CCS) pysäyttäminen (poistuminen)" mukaisesti.
	CCS-kuvake vilkkuu LCD-näytössä.	Ei pala	Ei	CCS (vakionopeudensäädin) -toiminto on epäonnistunut.	CCS-toimintoa ei voida asettaa, kun traktoria ajetaan erittäin hitaalla nopeudella tai sitä ajetaan taaksepäin.
				Seisontajarrupoljin on painettu traktorin pysäyttämiseksi.	Kun seisontajarrupoljin on vapautettu, paina CCS-painiketta, jolloin CCS-kuvake palaa LCD-näytössä, tai poistu CCS-toiminnosta kohdan "Vakionopeudensäätimen (CCS) pysäyttäminen (poistuminen)" ohjeiden mukaisesti.

LCD-näyttö	Kuvaus	Traktorin tilan merkkivalo	Ääni-ilmaisain	Syy	Ratkaisu
	LCD-näytössä ei pala pussin kuvaketta.	Ei ole	Ei	Osoittaa, että ruohopussia ei ole kiinnitetty traktoriin tai sitä ei ole kiinnitetty oikein.	Kiinnitä ruohopussi traktoriin kunnolla.
	Täyden pussin kuvake vilkkuu LCD-näytössä.	Ei ole	Ei	Osoittaa, että ruohopussi on täynnä.	Tyhjennä ruohopussi ja aseta se asianmukaisesti takaisin paikalleen.
Ei ole	Ei ole	Ei pala	Jatkaa kuulumista	Traktori on pysäköity rinteeseen ja kuljettaja poistuu traktorista asettamatta seisontajarrupoljinta seisontajarruasentoon.	Aseta seisontajarrupoljin seisontajarruasentoon. Seisontajarrun kuvake palaa ja ääni-ilmaisain lakkaa piippaamasta.
Ei pala	Latausliitännän vika	Palaa punaisena	Ei ole	Ei virransyöttöä.	Tarkista seinäpistorasia, onko jännite 220 – 240 V ja pistorasia kunnossa.
		Palaa punaisena	Ei ole	Sähkövikoja, kuten latausliitännässä on avoin piiri, sulake on palanut jne.	Ota yhteyttä EGO-asiakaspalveluun korjausta varten.

VIKAKOODIEN TIEDOT

Kuvaus	Vikakoodi LCD-näytössä	Ääni-ilmaisain	Ratkaisu
Vasen terämoottori ei pyöri	509	Yksi merkkiäänäni	Tarkista ensin terä. Jos se on löysällä, kiristä pulitti suositeltuun vääntömomenttiin. Muussa tapauksessa ota yhteyttä EGO-asiakaspalveluun korjausta varten.
Oikea terämoottori ei pyöri	609	Yksi merkkiäänäni	

HUOMAUTUS: Jos LCD-näyttöön ilmestyy muita vikakoodeja, jotka voivat viitata PCBA-vikaan, löystyneeseen liitäntään, käyttömoottorivikaan, terämoottorivikaan jne., irrota kaikki akut ja aseta ne uudelleen muutaman minuutin kuluttua traktorin uudelleenkäynnistämiseksi. Jos tämä ei ratkaise ongelmaa, kirjoita vikakoodi muistiin ja ota yhteyttä EGO-asiakaspalveluun korjausta varten.

TAKUU

EGON TAKUUEHDOT

Verkkosivustolta egopowerplus.eu löydät EGO:n takuukäytännön täydelliset ehdot.

LES ALLE INSTRUKSJONER!



LES BRUKERMANUALEN

SIKKERHETSSYMBOL

Hensikten med sikkerhetssymboler er å tiltrekke deg oppmerksomheten mot mulige farer. Sikkerhetssymbolene og forklaringene med dem fortjener nøye oppmerksomhet og forståelse. Symbolvarslene eliminerer ikke i seg selv noen fare. Instruksjonene og advarslene de gir er ingen erstatning for riktige ulykkesforebyggende tiltak.

⚠ ADVARSEL: Sørg for å lese og forstå alle sikkerhetsinstruksjonene i denne brukerhåndboken, inkludert alle sikkerhetsvarselsymboler som «FARE», «ADVARSEL» og «FORSIKTIG» " før du bruker dette verktøyet. Hvis du ikke følger alle instruksjonene nedenfor, kan det føre til elektrisk støt, brann og/eller alvorlig personskade.

SYMBOLBETYDELSE

NO Denne siden viser og beskriver sikkerhetssymboler som kan vises på dette produktet. Les, forstå og følg alle instruksjonene på maskinen før du prøver å montere og bruke den.

SIKKERHETSSYMBOLER



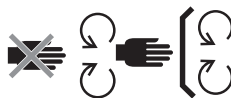
Sikkerhetsvarsel



Les og forstå brukerhåndboken



Øyebeskyttelse



Opprettholde sikkerhetsinnretninger



FARE - Fare for bratt skråning



FARE - Hold tilskuere borte fra bladene



Aldri bær barn



Se bak deg mens du rygger



ADVARSEL - Ikke bruk denne maskinen i skråninger som er større enn 12°



FARE - Objekter som kastes



ADVARSEL – HOLD HENDER OG FØTTER UNNA



Garantert lydeffektnivå. I henhold til det europeiske samfunnets direktiv.



Ikke gå



Elektriske produkter skal ikke kastes sammen med husholdningsavfallet. Send til en autorisert gjenvinner.



Dette produktet er i samsvar med gjeldende EF -direktiver



FORSIKTIG – Ikke stirr på driftslampen.



Likestrøm



Dette produktet er i samsvar med gjeldende britisk lovgivning.

kPa	Kilopascal	RPM	Omdreiningar per minutt
V	Volt	m	Meter
i	Tommer	cm	Centimeter
Nm	Newton meter	mm	Millimeter
°C	Celsius	kg	Kilogram
km/t	Kilometer i timen	IPX4	Ingress beskyttelsesgrad

SYMBOLER I DENNE HÅNDBOKEN



Informasjonen må noteres



Den angitte handlingen stopper

SPESIFIKASJONER

Spenning	56 V	
Dekkstørrelse	98 cm	
Hjulstørrelse	Front	15 x 6 - (6 tommer)
	Bak	18 x 7.5 - (8 tommer)
Kaldt dekktrykk	Front	96,5 kPa
	Bak	170 kPa
Bladhastighet (RPM)	Opptil 3000	
Maksimal kjørehastighet	Framover	Opptil 9,6 km/t
	Reverser	opp til 4,8 km/t
Justering av klippehøyde (12 posisjoner)	25 – 100 mm	
Ladetemperaturområde	5°C – 40°C	
Driftstemperatur	0 °C – 40 °C	
Lager temperatur	-20°C – 70°C	
Vekt (uten batteripakke)	220 kg	
Målt lydeffektnivå L_{WA}	97,7 dB(A) K=1,75 dB(A)	
Lydtrykknivå ved brukerens øre L_{PA}	83,6 dB(A) K=3 dB(A)	
Garantert lydeffektnivå L_{WA} (målt i henhold til 2000/14/EF)	100 dB(A)	
Vibrasjon a_t	Hånd	0,24 m/s ² K=1,5 m/s ²
	Kropp	0,18 m/s ² K=1,5 m/s ²

- Den deklarerte totale vibrasjonsverdien er målt i samsvar med en standard testmetode og kan brukes til å sammenligne ett verktøy med et annet;
- Den deklarerte totale vibrasjonsverdien kan også brukes i en foreløpig vurdering av eksponering.

MERKNAD: Vibrasjonsutslippet under faktisk bruk av elektroverktøyet kan avvike fra den deklarerte verdien som verktøyet brukes i. For å beskytte operatøren bør brukeren bruke hansker og hørselvern under de faktiske bruksforholdene.

ANBEFALT TILBEHØR

⚠ ADVARSEL: Bruk bare tilbehør som er oppført nedenfor. Bruk av tilbehør som ikke oppfyller spesifikasjonene for originalutstyr kan føre til feil ytelse og kompromittert sikkerhet.

DELNAVN	MODELLNUMMER
Samlingsbladsett	AB3801TD
Mulching Plug	AMP3800T

BESKRIVELSE

KJENN TRAKTOREN (Fig. A1)

- Sete
- Koppholdere
- Bakhjul (drivhjul) (x2)
- Vaskeport (x2)
- Dekk
- Anti-skalp hjul (x2)
- Forhjul (x2)
- Fremre støtfanger
- Parkerings-bremsepedal
- LED hovedlys (x2)
- Kraftenhet
- Oppbevaringsrom
- Parkeringsbrems låsespak
- Ratt
- Spak for justering av seteposisjon
- Gressbagger

NO

17. Ladeport
18. USB-port
19. Oppbevaringskurv
20. Gasspedal
21. Dekk-høydejusteringsspak
22. Tipping Spak
23. Håndtak
24. Traktorstatusindikator
25. Knapp for justering av blad hastighet
26. KLIPPING I REVERS-knapp
27. Start/stopp-knapp
28. Retningskontrollspak
29. Sikkerhetsnøkkel
30. PTO-bryter
31. CCS-knapp
32. LED-lysknapp / Bluetooth-knapp
33. Knapp for justering av kjørehastighet
34. Utløserknapp for strømenhetsdeksel
35. Strømenhetsdeksel
36. Strømenhet med seks batterirom
37. Batteriutløserknapp

NO

KJENN LCD-SKJERMEN (Fig. A2)

Se avsnittet "TRAKTORSTATUSREFERANSE" og "FEILKODEREFERANSE" for mer informasjon om ikonene og indikatorene på LCD-skjermen.

1. CCS-ikon
2. Sikkerhetsstatusindikator
3. KLIPPING I REVERS AV-ikon
4. Kjøre-ikon
5. Reverser ikon
6. Sikkerhetsnøkkelikon
7. LED-lysiknapp
8. Bluetooth-ikon
9. Blad hastighetsindikator
10. Timemeter
11. Drivstoffmåler
12. Temperaturikon
13. Varselikon (overbelastning/lavt strømforbruk)
14. Ikon for ledig batterirom
15. Ikon for opptatt batterirom
16. Feilkodeindikator
17. Lastindikator
18. Kjørehastighetsindikator
19. Full bagger-ikon
20. Ingen bagger-ikon

UTPAKKING

MERKNAD: Lagre emballasjen til du har nøye inspisert og tilfredsstillende betjent produktet. Hvis noen deler i pakkelisten er montert på maskinen, vennligst kontakt EGO-service umiddelbart.

MERKNAD: Bortsett fra verktøyene i pakkelisten nedenfor, anbefales alle andre verktøy som er nevnt i håndbøkene, men ikke inkludert.

PAKKELISTE (Fig. B)

B-1	Elektrisk plenstraktor	B-2	Sete
B-3	Ratt	B-4	Støvhette
B-5	Kombinasjonsnøkler	B-6	18 mm pipenøkkel
B-7	Trinnbolter (1 for backup)	B-8	M8 muttere (1 for backup)
B-9	M12 muttere (1 for backup)	B-10	Skiver (1 for backup)
B-11	Sikkerhetsnøkkel	B-12	Hurtigkobling med vaskeport
B-13	Brukerhåndbok	B-14	Grass Bagger (med to sett med bolter og mutter for sidebraketter)
B-15	U-formet brakett	B-16	Sidebrakett
B-17	Tipping Spak	B-18	Venstre og høyre bagger støttebrakett
B-19	Cross Bar	B-20	M8X40 Bolt
B-21	M8X25 Bolt	B-22	M8 mutter

MONTERING

INSTALLERING AV RATTET (Fig. C1)

C1-1	Rattstamme	C1-2	Ratt
C1-3	Midtlinje	C1-4	Vasker
C1-5	Nøtt	C1-6	18 mm pipenøkkel
C1-7	Støvdeksel		

INSTALLERING AV SETET (Fig. C2)

⚠ ADVARSEL: Sikkerhetssperresystemet må ikke kobles fra eller omgås. Hvis du gjør det, kan det føre til at traktoren går uventet, noe som kan føre til personskade.

C2-1	Sete	C2-2	Mutter (M8)
C2-3	Klemmebolt	C2-4	Stikkontakt
C2-5	Støpsel		

INSTALLERING AV GRESSBAGGER (Fig. C3 – C8)

C3-1	U-formet brakett	C3-2	Bagger
C3-2	4 sett med bolter og muttere (M8 X 40)	C3-4	Kombinasjonsnøkkel
C4-1	Sidebraketter	C4-2	4 sett med bolter og muttere (M8 X 40)
C4-3	Kombinasjonsnøkkel	C5-1	Tipping Spak
C5-2	1 sett med bolt og mutter (M8 X 40)	C5-3	Kombinasjonsnøkkel
C6-1	Bagger støttebraketter	C6-2	4 sett med bolter og muttere (M8 X 25)
C6-3	Kombinasjonsnøkler	C7-1	Cross Bar
C7-2	2 nøtter (M8)	C7-3	Kombinasjonsnøkkel

JUSTERING

FØR JUSTERING (Fig. D1)

JUSTERING AV KLIPPEDEKKENS HØYDE (Fig. D2)

JUSTERING AV ANTISKALP-HJULENE (Fig. D3 – D6)

D3-1	Anti-skalp hjul	D5-1	Nøtt
D5-2	Lug Bolt	D6-1	Dekkhøydeetikett

JUSTERING AV SETEN (Fig. D7)

D7-1	Spak for justering av seteposisjon
------	------------------------------------

OPERASJON

FØR BRUK (Fig. E1)

INNSTILLING AV PARKERINGSBREMSSEN (Fig. E2)

E2-1	Parkeringsbremseposisjon	E2-2	Utgitt posisjon
------	--------------------------	------	-----------------

⚠ ADVARSEL: PARKERINGSBREMSEPEDALEN KAN IKKE SENKE KJØREHASTIGHETEN. PRØV ALDRI Å DEPRIMESSE PARKERINGSBREMSEPEDALEN FOR Å REDUSERE KJØREHASTIGHETEN UNDER KJØRING. NÅR PARKERINGSBREMSEPEDALEN ER TRYKKET NED, MEN IKKE ER INNKOPPLET I PARKERINGSBREMSEPOSISJONEN, ER IKKE DEN ELEKTRISKE BREMSSEN EFFEKTIV, OG TRAKTOREN VIL SLUTTE Å KLIPPE PÅ EN FLAT OVERFLATE. MEN HVIS DETTE SKJER I EN SKRÅNING, KAN TRAKTOREN GLI NED SKRÅNINGEN NÅR PARKERINGSBREMSEPEDALEN ER SLUPPET.

⚠ ADVARSEL: TREKK OPP PARKERINGSBREMSELÅSEN OG TRYKK PÅ PARKERINGSBREMSEPEDALEN UMIDDELbart FOR AT DEN AKTIVERES I PARKERINGSBREMSEPOSISJONEN I TILFELLE DET OPPSTÅR ET NØDSTILFELLE, STOPPER TRAKTOREN UMIDDELbart OG VIL IKKE GLI NED EN HELNING.

KOBLE TIL / KOBLE FRA BATTERIPAKKEN (Fig. E3 – E6)

For å starte denne traktoren kreves det EGO-batterier på totalt 15 Ah (2 X BA4200/BA4200T) eller mer. For best ytelse anbefaler vi bruk av EGO-batterier på totalt 30 Ah eller mer.

E3-1	Utløserknapp for deksel	E5-1	Batteriutløserknapp
------	-------------------------	------	---------------------

LADE TRAKTOREN

Bruk kun med anbefalte batteripakker og ladere.

- Lad batteripakken(e) separat (fig. E7)

MERKNAD: Se tilhørende batteri- og ladermanualer for detaljerte instruksjoner.

- Lad batteripakken(e) via ladeporten (fig. E8 – E10)

E10-1	Støvhet	E10-2	Ladeport
-------	---------	-------	----------

TESTING AV SIKKERHETSSPELSESYSTEMET

- For å teste dekkbladsystemet (fig. E11 – E12)
- For å teste kjøresystemet (fig. E13 – E14)

Hvis dekkbladsystemet og/eller kjøresystemet ikke stopper når operatøren er ute av setet og hvis årsaken ikke kan fastslås etter å ha bekreftet at støpsel- og stikkontaktforbindelsen til setet er godt tilkoblet, kontakt EGO kundeservicesenter umiddelbart.

KOMMUNIKASJONSTEKNOLOGI

For informasjon om hele utvalget vårt av tilkoblede produkter og tjenester, inkludert tilkoblingsinstruksjoner, kan du skanne QR-koden nedenfor eller besøke www.egopowerplus.eu/connect.



SJEKKLISTE FØR BRUK

- Sørg for at arbeidsområdet er fritt for barn, tilskuere og kjæledyr.
- Rydd arbeidsområdet for gjenstander som kan bli kastet av traktorbladene.
- Fjern rusk fra traktoren.
- Se etter løse fester.
- Kontroller at alle verner er på plass og fungerer som de skal.
- Sjekk dekkene visuelt om de er pumpet opp.
- Kontroller bremsefunksjonen.
- Juster dekkhøyden til ønsket klippeposisjon som passer best for plenen, og juster antiskalperingshjul deretter.
- Juster seteposisjonen og sørg for at begge pedalene kan nås.
- Kontroller batteriladenivået.
- Test sikkerhetssperresystemet.
- Forsikre deg om at gressposen er riktig installert.

NO

STARTE TRAKTOREN (Fig. E15 – Fig. E16)

⚠ ADVARSEL: Unngå brå start, stopp og svinger, samt for høy hastighet, spesielt når du først lærer å betjene traktoren. Traktoren kan snurre raskt, noe som kan føre til at du mister kontrollen og fører til alvorlig personskade og/eller skade.

⚠ ADVARSEL: Før du starter traktoren, kontroller og sørg for at knivene er frigjort innen 5 sekunder når du skyver kraftuttaket nedover. Hvis knivene ikke stopper, ikke bruk traktoren og kontakt EGO kundeservice umiddelbart.

MERK:

- Hvis parkeringsbremsepedalen er satt i parkeringsbremseposisjon, trenger du bare å trykke på start/stopp-knappen i 3 sekunder for å lyse opp LCD-skjermen og deretter slippe parkeringsbremsen før du kjører traktoren.

- Skjærebladene kan startes når som helst når LCD-skjermen er fullt opplyst og retningskontrollspaken ikke er trukket bakover i "R"-retningen. For å slå på knivene mens du kjører traktoren i revers, se avsnittet "Å SLÅ PÅ KNIVENE MENS MAN KJØRER I REVERS" i denne håndboken.

MERKNAD: Følg Fig. E17 for å få den laveste kjørehastigheten til du er fullt i stand til å betjene traktoren i alle situasjoner.

Den elektriske plenraktoren husker ikke innstillingene for kjørehastighet og knivhastighet. Kjørehastigheten og knivhastigheten går tilbake til nivå 2 hver gang traktoren slås av.

Justering av kjørehastighet (fig. E17)

Justering av knivhastighet (fig. E18)

MERK: Når du er i "Nivå 3", trykker du på knappen for justering av bladhastighet igjen, og bladhastigheten vil gå tilbake til forrige hastighet.

LED-lys (fig. E19)

- LED-frontlysene kan slås av og på med LED-lysbryteren.

USB-port

MERKNAD: USB-porten gir ladekraft på 5 spenninger likestrøm ved opp et kombinert trekk på 1,5 ampere og får strøm kun når traktoren startes.

STANSE TRAKTOREN (Fig. E20)

⚠ ADVARSEL: Sett alltid parkeringsbremsepedalen i parkeringsbremseposisjon når traktoren slutter å kjøre i en skråning, ellers kan traktoren gli nedover skråningen, noe som kan forårsake alvorlig traktorskade eller personskade!

MERK: I en situasjon der parkeringsbremsepedalen er satt til parkeringsbremseposisjon og føreren er ute av setet, men batteripakkene ikke er fjernet:

- Hvis LCD-skjermen er slått av, vil batteriindikatorene, start/stopp-knappen og CCS-knappen forbli opplyst i 1 time.
- Hvis LCD-skjermen viser "drivstoffmåler" eller operatørgrensesnitt, vil traktoren automatisk slå seg av etter 1 time.

Limp-Home-modus

Når batteriladingen blir kritisk lav, vil traktoren gå inn i Limp-Home-modus for å beholde nok strøm til å reise tilbake til ladeområdet.

- Knivene går over til lav rotasjonshastighet, som bare kunne kutte svært lite gress. Ved å møte høyt og tett gress, vil knivene slutte å rotere. Lydindikatoren vil lyde (pipe) med jevne mellomrom.
- Traktorens statusindikator vil blinke rødt hvert sekund, både varselikonet (lavt strømforbruk) og ikonet for hvert opptatt batterirom vil blinke.

Operatøren bør:

- Skyv kraftuttaksbryteren nedover for å slå av bladmotorene. Lydindikatoren slutter å høres når bladmotorene stopper.
- Slutt å jobbe og kom deg til ladeområdet så snart som mulig. Den maksimale avstanden traktoren kan kjøre er 1000m.

Når batteriet er nesten tomt, vil både varselikonet (lavt strømforbruk) og ikonet for hvert opptatt batterirom blinke hvert halve sekund. Traktoren vil slutte å fungere umiddelbart. Operatøren må frakte traktoren til ladeområdet for lading.

MERKNAD: Hvis manuell dytting er nødvendig, sørg for at batteriene er koblet fra traktoren og at parkeringsbremsepedalen er frigjort fra parkeringsbremseposisjonen.

KJØRING AV TRAKTOREN (Fig. E21)

⚠ FARE: Hold deg minst to klippebredder unna eventuelle grøfter, fall eller vann. Forhjulene kan rotere når traktoren er stoppet, selv med bremsen på, og føre til at traktoren går over kanten eller i vannet og resulterer i dødsfall eller alvorlig personskade.

⚠ ADVARSEL: Ikke bruk traktoren på offentlig vei.

⚠ ADVARSEL: Hvis det oppstår blokkering eller du rammer et fremmedlegeme, må du stoppe motorene og fjerne batteriene. Fjern gressklipp, løv, skitt og annet akkumulert rusk; Inspiser traktoren grundig for skader og reparer skaden før du starter og bruker traktoren igjen.

MERK:

- Under kjøring, når du forlater setet, vil traktorstatusindikatoren slå seg av. Når du starter kjøringen igjen, len deg tilbake på setet og trykk parkeringsbremsen helt ned for å få traktorstatusindikatoren til å lyse grønt.
- Når du bytter mellom forover og revers under kjøring, flytt retningskontrollspaken direkte fra den ene enden til den andre uten å stoppe i nøytral posisjon, ellers kan traktoren stoppe.


BRUKE CRUISE CONTROL (CCS)



For å aktivere (gå inn) Cruise Control (CCS) (fig. E22)

MERK: Kjørehastighetsnivået vist på LCD-skjermen representerer kanskje ikke nøyaktig den faktiske kjørehastigheten til traktoren i cruisekontroll. Trykk på hastighetsjusteringsknappen for å "oppdatere" kjørehastighetsnivået på LCD-skjermen.

For å stoppe (avslutte) Cruise Control (CCS) kan du velge en av de tre måtene:

- Trykk gasspedalen helt ned og fortsett å trykke ned. CCS-funksjonen stopper og traktoren fortsetter å kjøre.
- Trå lett ned gasspedalen og slipp den så. Traktoren og CCS-funksjonen vil stoppe.
- Trykk på CCS-knappen. Traktoren og CCS-funksjonen vil stoppe.

MERK: Når CCS er stoppet, forsvinner ikonet «» fra LCD-skjermen, og pipetonen høres to ganger.

MERK: Hvis parkeringsbremspedalen er trykket ned, stopper traktoren, men «»-ikonet blinker på LCD-skjermen for å indikere at CCS er i ventemodus. I så fall slipper du parkeringsbremspedalen, trykker på CCS-knappen. Traktoren vil gjenoppta kjøringen automatisk og «»-ikonet slutter å blinke.

SLÅ PÅ KNIVENE MENS DU KJØRER I REVERS

MERK: Klipping i revers anbefales ikke.


⚠ ADVARSEL: Vær ekstremt forsiktig når du klipper i revers. Sørg alltid for at ingen personer kommer inn i arbeidsområdet, spesielt små barn før og mens du klipper i revers.

⚠ ADVARSEL: Sikten til operatørene kan bli svekket når traktoren er koblet sammen med baggersettet. Ekstrem forsiktighet og kjennskap til omgivelsene bør alltid tas i betraktning før og mens du klipper i revers.



For å aktivere (Enter) KLIPPING I REVERS (E23)

For å stoppe (avslutte) KLIPPING I REVERS, kan du velge en av de fire måtene:

- Trykk én gang på KLIPPING I REVERS-knappen.
- Hev deg fra traktorsetet.
- Trykk på start/stopp-knappen i 3 sekunder for å slå av LCD-skjermen.
- Ta ut sikkerhetsnøkkelen eller fjern batteripakken(e) for å slå av traktoren.

MERK: Når KLIPPING I REVERS er stoppet, vil «»-ikonet lyse på LCD-skjermen.

TØMMING AV GRESSPAKKEREN (Fig. E24)

MERK: Når «»-ikonet blinker på LCD-skjermen, er gressoppsamleren full. Etter at baggeren er tømt, vil «»-ikonet forsvinne fra LCD-skjermen.

MERK: Gressoppsamleren bør settes på riktig måte på traktoren, ellers kan traktoren kjøres, men knivmotorene kan ikke slås på.

VEDLIKEHOLD

⚠ ADVARSEL: Bruk alltid øyevern med sideskjold. Unnlatelse av å gjøre det kan føre til at gjenstander blir kastet inn i øynene dine, noe som kan føre til alvorlige skader.

⚠ ADVARSEL: Beskytt alltid hendene ved å bruke tunge hansker eller pakke inn skjærekantene med filler eller andre materialer når du utfører vedlikehold på traktorbladet. Fjern alltid sikkerhetsnøkkelen og batteripakkene ved service eller transport av traktoren.

ANBEFALT VEDLIKEHOLDSPLAN(ER)

Vedlikeholds-tjenesteintervall	Vedlikeholdsprosedyre
Før hver bruk eller daglig	<ul style="list-style-type: none"> ▪ Kontroller sikkerhetslåsesystemet. ▪ Sjekk dekkene visuelt om de er pumpet opp. ▪ Inspiser knivene. ▪ Inspiser hele produktet for skadede, manglende eller løse deler som sideutløpsrenne, skruer, muttere, bolter, hetter osv., og sørg for at alle beskyttelser er på plass og fungerer som de skal. ▪ Sjekk og sørg for at gasspedalen kan trykkes ned og slippes riktig. ▪ Sjekk rattdemperen. Rattet bør roteres med en viss motstand.
Etter hver bruk	<ul style="list-style-type: none"> ▪ Rengjør traktoren og vask dekket.
Hver 25. time	<ul style="list-style-type: none"> ▪ Kontroller dekktrykket.
Hver 100h	<ul style="list-style-type: none"> ▪ Kontroller bakhjulene, og sørg for at alle låsemuttere er festet med anbefalt dreiemoment (101-103 Nm). ▪ Kontroller forhjulene, og sørg for at mutteren er festet med anbefalt dreiemoment (90-92 Nm).
Hver 200h	<ul style="list-style-type: none"> ▪ Kontroller forhjulene og sørg for at de svinger fritt.
Hvert halvår	<ul style="list-style-type: none"> ▪ Sjekk parkeringsbremspedalen. Ta ut batteriet fra traktoren, trekk deretter opp parkeringsbremsen og trykk på parkeringsbremsen for å sette på parkeringsbremsen. Skyv traktoren manuelt forover for å se om traktoren kan flyttes uten at bakhjulene roterer. Hvis traktoren beveger seg og bakhjulene roterer i mellomtiden, vennligst kontakt EGO kundeservicesenter for reparasjon.
Før lagring	<ul style="list-style-type: none"> ▪ Ta ut batteriene fra traktoren. ▪ Fjern sikkerhetsnøkkelen fra traktoren. ▪ Utfør alle vedlikeholdsprosedyrene som er oppført ovenfor og rengjør traktoren grundig. ▪ Inspiser hele produktet for skadede, manglende eller løse deler, bytt ut eller stram til de tilsvarende før lagring.
Årlig	<ul style="list-style-type: none"> ▪ Smør akselhylsene til forhjulene.

NO

GENERELT VEDLIKEHOLD

Tømme gresset (fig. F1 – F3)

Rengjøring av traktorhuset (fig. F4)

Bruke vaskeporten til å rengjøre traktordekket (fig. F5 – F6)

F5-1	Vaskeport	F5-2	Vask-port hurtigkobling
F5-3	Hageslange		

MERKNAD: Når du er ferdig med rengjøringen, slå av traktoren helt og fjern deretter hageslangen og hurtigkoblingen.

VEDLIKEHOLD AV TRAKTORDEKKET OG KJÆREBLADENE

Forberedelse (fig. G1)

NO Fjerning av dekk (fig. G2 – G3)

G2-1	Motorkabel	G2-2	Splint
G2-3	Suspensjonskobling		

Bytte av skjærebladene (fig. G4 – G6)

G4-1	Stabilisator	G5-1	Bolt
G5-2	Vasker	G5-3	Blad
G5-4	Flens	G5-5	Motoraksel

Utjevning av dekket

- a. Når skal du nivåere (fig. G7 / fig. G8 / fig. G9)
- b. Før nivellering
 - Kontrollere kaldt dekktrykk (fig. G10)
 - Sjekk skjærebladene. Fjern og skift ut slitte, sprukne og/eller bøyd kniver etter behov.
- c. Forberedelse for utjevning (fig. G11)
- d. Hvordan nivellere
 - For å gjøre side-til-side-justering (fig. G12)
 - For å foreta justering foran til bak (fig. G13)

LAGRING OG TRANSPORT

TRANSPORT AV TRAKTOREN (Fig. H1 – H5)

H2-1	Ramper	H2-2	Stropper
------	--------	------	----------

MERKNAD: Sikre traktoren etter behov, bruk stropper eller kabler for å hindre bevegelse under transport.

LAGRING (Fig. I1 – I2)

MERKNAD: Ta ut og oppbevar batteripakken(e) separat, se de tilsvarende håndbøkene.

Rengjør og kontroller traktoren før lagring, se avsnittene "GENERELT VEDLIKEHOLD" og "ANBEFALT VEDLIKEHOLDSSHEMA(ER)".

Beskytter miljøet




WEEE (Waste Electrical and Electronic Equipment) Ikke kast elektrisk utstyr, brukt batteri og lader i husholdningsavfallet! Ta dette produktet til en autorisert gjenvinner og gjør det tilgjengelig for separat innsamling. Elektriske verktøy må returneres til et miljøvennlig resirkuleringsanlegg.

FEILSØKING

PROBLEM	ÅRSAKEN	LØSNING
Den elektriske plenstraktoren klarer ikke å kjøre når gasspedalen trykkes ned.	<ul style="list-style-type: none"> Den kombinerte Ah av de innsatte batteriene oppfyller ikke kravet. 	<ul style="list-style-type: none"> For å starte denne traktoren, bruk nok EGO-batterier ved å følge instruksjonene i avsnittet «FESTE/FØRE BATTERIPAKKEN» i denne håndboken.
	<ul style="list-style-type: none"> Parkeringsbremsepedalen er satt i bremseposisjon. 	<ul style="list-style-type: none"> Trykk parkeringsbremsepedalen helt ned for å frigjøre den fra parkeringsbremseposisjonen.
	<ul style="list-style-type: none"> Traktorstatusindikatoren lyser ikke grønt. 	<ul style="list-style-type: none"> Trå inn parkeringsbremsepedalen og slipp deretter. Traktorens statusindikator vil lyse grønt, noe som betyr at traktoren er klar til å starte.
	<ul style="list-style-type: none"> Operatøren sitter ikke på setet. 	<ul style="list-style-type: none"> Traktoren kan kun betjenes når føreren sitter riktig på setet.
	<ul style="list-style-type: none"> Setesikringssystemet er ikke riktig tilkoblet. 	<ul style="list-style-type: none"> Ta batteriene ut av traktoren og løft seteryggen opp for å forsikre deg om at kabelpluggen er riktig koblet til kontakten på bunnen av setet (se kapittel "INSTALLERE SETET"). Følg instruksjonene i «STARTE TRAKTOREN» for å starte traktoren på nytt for å se om traktoren kan startes. Hvis ikke, kontakt EGO kundeservicesenter for reparasjon.
	<ul style="list-style-type: none"> Under ekstremt kaldt vær kan det hende at kjørefunksjonen ikke starter vellykket på grunn av beskyttelsen mot lav temperatur. 	<ul style="list-style-type: none"> Oppbevar alltid traktoren og batteriene i varme omgivelser. Start traktoren på nytt når den er oppvarmet. Ikke gjør gjentatte forsøk under ekstremt kaldt vær som kan skade maskinen.
	<ul style="list-style-type: none"> Kjørebanelen til gasspedalen er tilstoppet med rusk. 	<ul style="list-style-type: none"> Sjekk og fjern rusk
	<ul style="list-style-type: none"> Feil på mekaniske eller elektroniske komponenter i gasspedalen. 	<ul style="list-style-type: none"> Kontakt EGO kundeservicesenter for reparasjon.
	<ul style="list-style-type: none"> Retningskontrollspaken er plassert i nøytral posisjon. 	<ul style="list-style-type: none"> Skyv/trekk retningskontrollspaken i retning "D" eller "R".

NO

PROBLEM	ÅRSAKEN	LØSNING
Den elektriske plentraktoren slutter å kjøre.	<ul style="list-style-type: none"> Når du bytter mellom forover og revers under kjøring, forblir retningskontrollspaken i nøytral stilling lenge. 	<ul style="list-style-type: none"> Slipp gasspedalen og trykk den ned igjen.
	<ul style="list-style-type: none"> Feil på elektroniske komponenter i gasspedalen. 	<ul style="list-style-type: none"> Kontakt EGO kundeservicesenter for reparasjon.
	<ul style="list-style-type: none"> Setesikringssystemet ble koblet fra under kjøring i ulendt terreng. 	<ul style="list-style-type: none"> Ta batteriene ut av traktoren og løft seteryggen opp for å forsikre deg om at kabelpluggen er riktig koblet til kontakten på bunnen av setet (se kapittel "INSTALLERE SETET"). Følg instruksjonene i «STARTE TRAKTOREN» for å starte traktoren på nytt for å se om traktoren kan startes. Hvis ikke, kontakt EGO kundeservicesenter for reparasjon.
	<ul style="list-style-type: none"> Førerens vekt er ikke jevnt fordelt på setet. Vekten til føreren på setet må være minst 20 kg for at sikkerhetssperresystemet for setet skal fungere som det skal. 	<ol style="list-style-type: none"> Sitt ordentlig på setet, trå parkeringsbremsen helt ned og slipp den, så er traktoren klar til kjøring. Koble fra og sett på batteriene igjen om nødvendig.
	<ul style="list-style-type: none"> Parkeringsbremsepedalen er trykket nok inn, men ikke låst til parkeringsposisjonen, traktoren vil stoppe. 	<ul style="list-style-type: none"> Følg instruksjonene i «STARTE TRAKTOREN» for å starte traktoren på nytt.
Den elektriske plentraktoren klarer ikke å starte knivene når kraftuttaket aktiveres.  PTO-bryterikonet blinker	<ul style="list-style-type: none"> Den kombinerte Ah av de innsatte batteriene oppfyller ikke kravet. 	<ul style="list-style-type: none"> For å starte denne traktoren, bruk nok EGO-batterier ved å følge instruksjonene i avsnittet «FESTE/FØRE BATTERIPAKKEN» i denne håndboken.
	<ul style="list-style-type: none"> PTO-bryteren ble ikke trykket ned da traktoren ble slått av forrige gang. 	<ul style="list-style-type: none"> Skyv kraftuttaket ned og deretter opp for å starte bladmotorene på nytt.
	<ul style="list-style-type: none"> Traktoren er overbelastet i det øyeblikket knivene begynner å rotere, og utløser knivmotorens selvbeskyttelse. 	<ul style="list-style-type: none"> Start gressklippingen med lavere knivhastighet først og ikke akselerer knivhastigheten før knivene roterer vellykket.
	<ul style="list-style-type: none"> Under ekstremt kaldt vær kan det hende at bladmotoren ikke starter med hell på grunn av beskyttelsen mot lav temperatur. 	<ul style="list-style-type: none"> Oppbevar alltid traktoren og batteriene i varme omgivelser. Start traktoren på nytt når den er oppvarmet. Vennligst ikke gjør gjentatte forsøk under ekstremt kaldt vær som kan skade maskinen.
	<ul style="list-style-type: none"> Bladet forstyrrer det deformerte traktordekket 	<ul style="list-style-type: none"> Kontakt EGO kundeservicesenter for reparasjon.
	<ul style="list-style-type: none"> Gressoppsamleren er ikke riktig installert. 	<ul style="list-style-type: none"> Installer gressoppsamleren på riktig måte ved å følge avsnittet «INSTALLERING AV GRESSOPPASSEREN» i håndboken.

NO

PROBLEM	ÅRSAKEN	LØSNING
Knivene slutter å rotere under gressklipping.	<ul style="list-style-type: none"> Traktoren er overbelastet. 	<ul style="list-style-type: none"> Hev klippehøyden på dekket eller reduser kjørehastigheten for å redusere belastningen på traktoren.
	<ul style="list-style-type: none"> Dekket er tilstoppet med gress og rusk. 	<ul style="list-style-type: none"> Rengjør dekket og sørg for at knivene har bevegelsesfrihet.
	<ul style="list-style-type: none"> Traktoren er overopphetet. 	<ul style="list-style-type: none"> Reduser belastningen på traktoren ved å heve klippehøyden på dekket eller redusere bladet/kjørehastigheten og la traktoren avkjøles.
	<ul style="list-style-type: none"> Batteripakke(n) i traktorens batterirom er overopphetet, noe som resulterer i at kombinert Ah-klassifisering av alle innsatte batterier ikke oppfyller kravet 	<ol style="list-style-type: none"> Traktoren kan fortsette å jobbe hvis den kombinerte batteri Ah-klassifiseringen, unntatt overopphetet batteri, oppfyller kravet. Når det overopphetede batteriet går tilbake til normal temperatur, vil det være med på å drive traktoren umiddelbart. Hvis den kombinerte batteri Ah-klassifiseringen ikke oppfyller kravet, vil ikke traktoren fungere før flere batteripakker er satt inn i de ledige batterirommene. Reduser belastningen på traktoren ved å heve klippehøyden på dekket eller redusere kjørehastigheten når du gjenopptar driften.
	<ul style="list-style-type: none"> Traktoren er i Limp-Home-modus. 	<ul style="list-style-type: none"> Når traktoren er i Limp-Home-modus, skiftes knivene automatisk til lav rotasjonshastighet. Operatøren bør slutte å jobbe og kjøre til batteriets ladeområde så snart som mulig.
	<ul style="list-style-type: none"> Traktoren blir truffet av et fremmedlegeme, noe som resulterer i selvbeskyttelse av motoren. 	<ul style="list-style-type: none"> Skyv kraftuttaket ned og deretter opp for å starte bladmotorene på nytt.
	<ul style="list-style-type: none"> Traktoren kjører i revers med ikonet for KLIPPING I REVERS AV tent på LCD-skjermen. 	<ul style="list-style-type: none"> Trykk kraftuttaket ned og start knivmotorene på nytt ved å følge instruksjonene i avsnittet «Til aktiv (Enter) KLIPPING I REVERS».
Lydindikatoren fortsetter å høres.	<ul style="list-style-type: none"> Traktoren er i Limp-home-modus og knivene er ikke slått av. 	<ul style="list-style-type: none"> Skyv kraftuttaksbryteren ned for å slå av bladmotorene. Lydindikatoren slutter å høres når bladmotorene er slått av.
	<ul style="list-style-type: none"> Traktoren slutter å kjøre i en skråning og føreren er ute av setet uten å sette på parkeringsbremsepedalen i parkeringsbremseposisjon. 	<ul style="list-style-type: none"> Sett parkeringsbremsepedalen i parkeringsbremseposisjon før du forlater traktoren i skråningen.
Strømindikatorene på batteripakkene lyser fortsatt når traktoren er slått av.	<ul style="list-style-type: none"> Når traktoren er slått av på jevnt underlag uten å fjerne batteripakke(n) fra traktoren, vil strømindikatorene forbli tent i en periode. 	<ul style="list-style-type: none"> Ingen handling er nødvendig. Batteriindikatorene slukker når traktoren slår seg av etter en periode. Se avsnittet «STOPPE TRAKTOREN» for spesifikk tid
	<ul style="list-style-type: none"> Når traktoren slås av i en skråning uten å sette på parkeringsbremsen, vil strømindikatorene på batteripakkene forbli på til batteriladingen er utladet. Lydindikatoren fortsetter å høres samtidig. 	<ul style="list-style-type: none"> Sett parkeringsbremsepedalen i parkeringsbremseposisjon før du forlater traktoren i skråningen. Ellers kan traktoren skli nedover skråningen.

NO

PROBLEM	ÅRSAKEN	LØSNING
LCD-skjermen klarer ikke å lyse med alle ikoner på.	<ul style="list-style-type: none"> Start/stopp-knappen er ikke trykket i tilstrekkelig tid. 	<ol style="list-style-type: none"> LCD-skjermen vil bare vise "drivstoffmåleren" når start/stopp-knappen trykkes kort. LCD-skjermen vil slå seg på etter å ha tråkket helt ned parkeringsbremsen og trykket på start/stopp-knappen i tilstrekkelig tid samtidig.
	<ul style="list-style-type: none"> Når sikkerhetsnøkkelikonet "☞" blinker på LCD-skjermen, er sikkerhetsnøkkelen ikke satt inn. 	<ul style="list-style-type: none"> Sett inn sikkerhetsnøkkelen, trykk deretter parkeringsbremsen helt ned og trykk på start/stopp-knappen i tilstrekkelig tid samtidig for å slå på LCD-skjermen.
	<ul style="list-style-type: none"> Når parkeringsbremseikonet "(P)" blinker på LCD-skjermen, er ikke parkeringsbremsen trykket helt inn. 	<ul style="list-style-type: none"> Sett inn sikkerhetsnøkkelen, trykk deretter parkeringsbremsen helt ned og trykk på start/stopp-knappen i tilstrekkelig tid samtidig for å slå på LCD-skjermen.
NO Traktoren kutter ujevnt, med betydelig høydeforskjell foran til bak.	<ul style="list-style-type: none"> Bladene er sløve. 	<ul style="list-style-type: none"> Slip eller bytt ut skjærebladene som beskrevet i denne håndboken.
	<ul style="list-style-type: none"> Bladene er bøyd. 	<ul style="list-style-type: none"> Skift ut de bøyde skjærebladene ved å følge instruksjonene i avsnittet "Skifte skjærebladene".
	<ul style="list-style-type: none"> Dekket er ikke nivellert, noe som resulterer i forskjellig skjæreblad høyde 	<ul style="list-style-type: none"> Nivåer stokken ved å følge instruksjonene i avsnittet "Nivellering av stokken".
Den faktiske gressklippehøyden er ikke på linje med den påståtte høyden.	<ul style="list-style-type: none"> Dekksmutrene løsnes på opphengsleddet. 	<ul style="list-style-type: none"> Følg instruksjonene i avsnittet «Nivellering av klippeaggregatet» for å foreta korrekt front-til-bak-justering for traktordekket og stram mutterne på opphengsleddet.
	<ul style="list-style-type: none"> Dekket er skadet eller alvorlig slitt. 	<ul style="list-style-type: none"> Følg instruksjonene i avsnittet «Fjerning av dekk» for å få byttet traktordekk.
Traktoren dekker ikke ordentlig.	<ul style="list-style-type: none"> Vått gressklipp fester seg til undersiden av dekket. 	<ul style="list-style-type: none"> Vent til gresset tørker før du klipper.
	<ul style="list-style-type: none"> Traktoren er satt til å klippe for mye gress på en gang. 	<ul style="list-style-type: none"> Hev klippehøyden på dekket.
Overdreven vibrasjon.	<ul style="list-style-type: none"> Skjærebladene er løse. 	<ul style="list-style-type: none"> Stram til knivbolten til anbefalt tiltrekingsmoment.
	<ul style="list-style-type: none"> Bladene er bøyd. 	<ul style="list-style-type: none"> Skift ut de bøyde skjærebladene ved å følge instruksjonene i avsnittet "Skifte skjærebladene".
	<ul style="list-style-type: none"> Dekket er ikke jevnet. 	<ul style="list-style-type: none"> Nivåer traktordekket ved å følge instruksjonene i avsnittet "Nivellering av dekket".
	<ul style="list-style-type: none"> Dekksmutrene løsnes på opphengsleddet. 	<ul style="list-style-type: none"> Stram mutterne på opphengsleddet.
	<ul style="list-style-type: none"> Dekket er satt til å klippe for mye gress på en gang. 	<ul style="list-style-type: none"> Hev klippehøyden på dekket.
Det er gress eller rusk igjen på bakken etter klipping.	<ul style="list-style-type: none"> Dekket er satt til å klippe for mye gress på en gang når gresset er høyt. 	<ul style="list-style-type: none"> Begynn med høy klippehøyde og reduser den til ønsket klipperesultat er oppnådd. Gress over 152 mm høyt bør klippes to ganger, ved suksessivt lavere klippehøyder.
	<ul style="list-style-type: none"> Gresset er vått. 	<ul style="list-style-type: none"> Ikke klipp når gresset er vått. Vent til gresset tørker.
	<ul style="list-style-type: none"> Kjørehastigheten er høy. 	<ul style="list-style-type: none"> Senk kjørehastigheten.
	<ul style="list-style-type: none"> Bladhastigheten er lav. 	<ul style="list-style-type: none"> Øk bladhastigheten gradvis.
Kort kjøretid på traktoren med medfølgende batterier.	<ul style="list-style-type: none"> Plenterreng, gressforhold, klippehøydeinnstilling, kjørehastighet, knivhastighet osv. vil ha stor innvirkning på kjøretiden. 	<ul style="list-style-type: none"> Øk klippehøyden og reduser bladhastigheten for å redusere klippelasten.

PROBLEM	ÅRSAKEN	LØSNING
Traktoren følger ikke rett.	<ul style="list-style-type: none"> ▪ Dekktrykket for venstre og høyre hjul er forskjellig. 	<ul style="list-style-type: none"> ▪ Kontroller og juster lufttrykket i begge dekkene for bakhjul, i henhold til anbefalingen i avsnittet «SPESIFIKASJONER» i denne håndboken.
Parkeringsbremsepedalen kan ikke frigjøres fra parkeringsbremseposisjonen eller er treg til å springe tilbake.	<ul style="list-style-type: none"> ▪ Kjørebanelen til parkeringsbremsepedalen er tilstoppet med rusk. 	<ul style="list-style-type: none"> ▪ Sjekk og fjern rusk.
Traktoren kan ikke lades via ladeporten mens traktorstatusindikatoren lyser rødt.	<ul style="list-style-type: none"> ▪ Pluggen til laderen er ikke satt riktig inn i ladeporten på traktoren. 	<ul style="list-style-type: none"> ▪ Koble til ladepluggen igjen for å se om traktoren kan lades normalt.
	<ul style="list-style-type: none"> ▪ Det er ikke strøm i vegguttakene. 	<ul style="list-style-type: none"> ▪ Ingen handling er nødvendig. Vent til strømmen kommer seg tilbake.
	<ul style="list-style-type: none"> ▪ Feil på laderen. 	<ul style="list-style-type: none"> ▪ Ta kontakt med EGO kundeservicesenter og få laderen inspisert og/eller reparert om nødvendig av en kvalifisert servicetekniker.
	<ul style="list-style-type: none"> ▪ Ladeporten på traktoren er defekt. 	<ul style="list-style-type: none"> ▪ Kontakt EGO kundeservicesenter for reparasjon.
Ladetiden via traktorens ladeport er for lang.	<ul style="list-style-type: none"> ▪ Bruk av EGO Adapter ACA1000 for lading krever lang tid. 	<ul style="list-style-type: none"> ▪ Bruk EGO-lader CHV1600E for å lade den elektriske plenstraktoren direkte.
Batteriene kan ikke lades helt opp via traktorens ladeport.	<ul style="list-style-type: none"> ▪ Fastvarefeil på traktoren eller batteripakken eller laderfeil. 	<ul style="list-style-type: none"> ▪ Tilbakestill laderen ved å koble fra laderen og vente i flere minutter. Koble deretter støpselet til strømforsyningen igjen. Hvis dette ikke løser problemet, ring EGOs kundeservicesenter.
Traktoren kan ikke startes etter rengjøring.	<ul style="list-style-type: none"> ▪ Feil rengjøring, som for eksempel vann på de elektriske komponentene, LCD-skjermen osv. 	<ol style="list-style-type: none"> 1. Følg instruksjonene i avsnittet «GENERELT VEDLIKEHOLD» for å rengjøre traktoren på riktig måte. 2. Hvis traktoren havnet i regn ved et uhell, la den tørke eller bruk trykkluft for å tørke den.
Dekket blir fort tilstoppet.	<ul style="list-style-type: none"> ▪ Dekket ble ikke ordentlig rengjort etter tidligere bruk. 	<ul style="list-style-type: none"> ▪ Rengjør traktordekket etter hver bruk, følg avsnittet "Bruk av vaskeport for å rengjøre dekket".
Traktoren mister lett veigrepet når den klatrer opp i skråningen.	<ul style="list-style-type: none"> ▪ Dekkene på bakhjulene er slitte. 	<ul style="list-style-type: none"> ▪ Søk lokal service for å skifte hjuldekkene.
	<ul style="list-style-type: none"> ▪ Klipper i en bratt skråning. 	<ul style="list-style-type: none"> ▪ Traktoren skal ikke brukes til å klippe skråninger brattere enn nødvendige grader.
Når traktoren stoppes i en skråning med parkeringsbremsen aktivert, kan traktoren rulle nedover skråningen.	<ul style="list-style-type: none"> ▪ Bremskomponentene er for slitt på grunn av feil bruk av traktoren. 	<ul style="list-style-type: none"> ▪ Kontakt EGO kundeservicesenter for reparasjon.
Det kommer ikke vann fra vaskeporten når du prøver å vaske dekket.	<ul style="list-style-type: none"> ▪ Hurtigkoblingen for vaskeporten er ikke riktig montert på vaskeporten. 	<ul style="list-style-type: none"> ▪ Fest hurtigkoblingen til vaskeporten igjen til du hører et tydelig klikk etter å ha trykket hardt. Hvis det ikke fungerer, ring EGOs kundeservicesenter.
En unormal lyd høres når traktoren skyves manuelt uten å starte den.	<ul style="list-style-type: none"> ▪ Lyden kommer fra magnetene inne i drivmotoren. 	<ul style="list-style-type: none"> ▪ Det er normalt og ingen handling er nødvendig.
Rattet kan ikke roteres.	<ul style="list-style-type: none"> ▪ Rattenheten er tilstoppet med rusk. 	<ul style="list-style-type: none"> ▪ Sjekk og fjern rusk.
Traktoren svinger ikke til venstre/høyre når rattet dreies.	<ul style="list-style-type: none"> ▪ Feil på elektroniske eller mekaniske komponenter. 	<ul style="list-style-type: none"> ▪ Kontakt EGO kundeservicesenter for reparasjon.

PROBLEM	ÅRSAKEN	LØSNING
Traktoren stopper ikke når gasspedalen slippes.	▪ Returveien til gasspedalen er tilstoppet med rusk.	▪ Sjekk og fjern rusk.
	▪ CCS-knappen trykkes utilsiktet under kjøring. Traktoren er i fartsholdermodus	▪ Sjekk om CCS-ikonet lyser på LCD-skjermen, og gå ut av CCS etter behov. Se kapittel « BRUKE CRUISE CONTROL (CCS) »
CCS-funksjonen kan ikke aktiveres eller deaktiveres.	▪ CCS-knappen er ikke trykket på riktig måte.	▪ Trykk på CCS-knappen til CCS-ikonet lyser på LCD-skjermen, eller forsvinner fra LCD-skjermen.
Forhjulene på traktoren roterer med unormal støy	▪ Akselhylsene på forhjulene krever smøring.	▪ Fjern batteripakkene og fyll deretter injeksjonsportene med fett til fettet renner over den øvre eller nedre kanten av akselhylsene til forhjulene.

TRAKTORSTATUSREFERANSE

LCD-skjerm	Beskrivelse	Traktorstatus-indikator	Lydindikator	Årsaken	Løsning
	Drivstoffmålerikon	AV	Nei	Den indikerer den gjennomsnittlige ladekapasiteten til innsatte batterier	Dette er normal drift. Ingen handling er nødvendig.
	Timeteller-ikon	AV	Nei	Den viser traktorens totale kjøretid i timer og kan ikke tilbakestilles.	Dette er normal drift. Ingen handling er nødvendig.
	Lastindikatorikon	AV	Nei	Den indikerer gjeldende belastning på traktoren.	Dette er normal drift. Ingen handling er nødvendig.
	LED-lysikonet lyser på LCD-skjermen.	AV	Nei	Hovedlysene slås på av LED-lysbryteren.	Dette er normal drift. Ingen handling er nødvendig.
	Bluetooth-ikonet lyser på LCD-skjermen	AV	Nei	Traktoren er koblet til en mobil enhet via Bluetooth.	Dette er normal drift. Ingen handling er nødvendig.
	KLIPPING I REVERS AV-ikonet lyser på LCD-skjermen.	AV	Nei	Det indikerer at knivene ikke kan slås på når traktoren kjører i revers.	Dette er normal drift. Om nødvendig, slå på knivene mens du kjører i revers, følg avsnittet « SLÅ PÅ KNIVENE MENS DU KJØRER I REVERS » i håndboken.
	Drive-ikonet lyser på LCD-skjermen.	AV	Nei	Det indikerer at traktoren kan kjøres eller kjører fremover.	Dette er normal drift. Sett retningskontrollspaken i "D", nøytral eller "R" posisjon etter behov.
	Revers-ikonet lyser på LCD-skjermen.	AV	Nei	Det indikerer at traktoren kan kjøres eller kjører bakover.	
	Kjøreikon og reversikon blinker vekselvis	AV	Nei	Det indikerer at traktoren ikke kunne kjøres.	
	Sikkerhetsnøkkelikonet lyser	AV	Nei	Sikkerhetsnøkkelen er satt inn riktig.	Dette er normal drift. Ingen handling er nødvendig.
	Sikkerhetsnøkkelikonet blinker når LCD-skjermen viser "drivstoffmåler".	AV	Nei	Sikkerhetsnøkkelen er ikke satt inn. Tastekontrollpanelet er ødelagt.	Sett inn sikkerhetsnøkkelen og trykk deretter parkeringsbremsen helt ned og trykk START/STOPP-knappen samtidig i mer enn 3 sekunder for å slå på traktoren. Kontakt EGO kundeservicesenter for reparasjon.

NO

LCD-skjerm	Beskrivelse	Traktorstatus-indikator	Lydindikator	Årsaken	Løsning
	Parkeringsbremseikonet blinker når LCD-skjermen viser "drivstoffmåler".	AV	Nei	Parkeringsbremspedalen er ikke trykket inn.	Når sikkerhetsnøkkelen er satt inn, trykker du parkeringsbremsepedalen helt ned og trykker på START/STOPP-knappen samtidig i mer enn 3 sekunder for å slå på traktoren.
	Parkeringsbremseikonet blinker når LCD-skjermen viser operatørgrensesnittet.	AV	Nei	Trå ned gasspedalen før du trykker ned parkeringsbremsen for å få traktorindikatoren til å lyse grønt.	Start traktoren riktig ved å følge avsnittet « STARTE TRAKTOREN ».
	Parkeringsbremseikonet lyser	AV	Nei	Parkeringsbremsepedalen er satt i parkeringsbremseposisjon.	Slipp den før du starter traktoren.
NO 	Setesensorikonet lyser	AV	Nei	Føreren forlater setet eller setets sikkerhetssperresystem er frakoblet.	Hvis føreren sitter på setet og ikonet er på, stopp bruken av traktoren umiddelbart og kontroller seteforbindelsen. Hvis seteforbindelsen med traktoren bekreftes riktig, kontakt en kvalifisert servicetekniker for reparasjoner.
	PTO-bryterikonet blinker	AV	Nei	Bladmotoren ble avbrutt i drift og kraftuttaksbryteren er ikke satt til av-posisjon.	Før du starter traktoren igjen, skyv kraftuttaket ned for å slå av knivmotorene. Se avsnittet « FEILSØKING » i denne håndboken for referanse.
	Ikonet for et bestemt batterirom blinker.	AV	Nei	Et visst batteri under utlading er overstrøm.	Ingen handling er nødvendig. Traktoren kan fortsette å jobbe hvis den kombinerte batteri Ah-klassifiseringen, ekskludert overstrømsbatteri, er lik eller mer enn 15Ah. Når overstrømsbatteriet går tilbake til det normale, vil det bli med på å drive traktoren umiddelbart, og ikonet vil forsvinne.
	Ikonet for det tomme batterirommet blinker	AV	Nei	Batterikapasiteten er ikke tilstrekkelig til å la traktoren fungere.	For å starte denne traktoren, bruk nok EGO-batterier ved å følge instruksjonene i avsnittet « FESTE/FØRE BATTERIPAKKEN » i denne håndboken.

LCD-skjerm	Beskrivelse	Traktorstatus-indikator	Lydindikator	Årsaken	Løsning
	Temperaturikonet og det nøyaktige oppsatte batterirommet blinker samtidig.	AV	Nei	Batteripakken i det tilsvarende nummererte batterirommet er overopphetet.	<ol style="list-style-type: none"> 1. Traktoren kan fortsette å jobbe hvis den kombinerte batteri Ah-klassifiseringen, unntatt overopphetet batteri, oppfyller kravet. Når det overopphetede batteriet går tilbake til normal temperatur, vil det være med på å drive traktoren umiddelbart. 2. Hvis den kombinerte batteri Ah-klassifiseringen ikke oppfyller kravet, vil ikke traktoren fungere før flere batteripakker er satt inn i de ledige batterirommene. 3. Reduser belastningen på traktoren ved å heve klippehøyden på dekket eller redusere kjørehastigheten når du gjenopptar driften.
	Temperaturikonet blinker.	AV	Ett pip	<p>Traktoren er overopphetet.</p> <p>Traktoren er for kald.</p>	<p>Reduser belastningen på traktoren ved å heve klippehøyden på dekket eller redusere bladet/kjørehastigheten. Ta en pause og la traktoren avkjøles.</p> <p>Vennligst ikke gjør gjentatte forsøk som kan skade maskinen. Oppbevar alltid traktoren og batteriene i varme omgivelser. Start traktoren på nytt når den er oppvarmet.</p>
	Varselikonet blinker	Blinker rødt	Ett pip	<p>Bladmotoren er overbelastet.</p> <p>Sideutløpsrennen er tilstoppet med gress og rusk.</p> <p>Det er interferens mellom bladet og traktordekket.</p>	<p>Hev klippehøyden på dekket eller reduser kjørehastigheten for å redusere belastningen på traktoren.</p> <p>Rengjør sideutløpsrennen etter hver bruk.</p> <p>Ring EGO kundeservicesenter</p>
	Ikonene for hvert opptatt batterirom og varselikonet blinker hvert 1. sekund på samme tid på LCD-skjermen.	Blinker rødt	Fortsetter å pipe til kraftuttaksbryteren skyves nedover.	Batteripakkene er lite ladet, og traktoren er i Limp Home-modus.	<p>Slutt å jobbe og gå tilbake til batteriets ladeområde.</p> <p>MERK: Når traktoren er i Limp-Home-modus, skiftes knivene automatisk til lav rotasjonshastighet og i mellomtiden vil lydindikatoren fortsette å pipe. Operatøren bør skyve kraftuttaket nedover for å slå av bladmotorene. Lydindikatoren vil slutte å pipe etter at knivene stopper.</p>
	Ikonet for hvert opptatt batterirom og varselikonet blinker hvert halve sekund.	Blinker rødt	Fortsetter å pipe	Bladmotoren ble avbrutt i drift og kraftuttaksbryteren er ikke satt til av-posisjon.	Traktoren vil slutte å fungere umiddelbart. Operatøren bør transportere traktoren til batteriets ladeområde for lading.

NO

LCD-skjerm	Beskrivelse	Traktorstatus-indikator	Lydindikator	Årsaken	Løsning
	CCS-ikonet lyser på LCD-skjermen	Solid grønn	Nei	Traktoren fortsetter fremover med en innstilt hastighet uten å trenge på gasspedalen.	Dette er normal drift. Om nødvendig, slå av CCS-funksjonen ved å følge avsnittet « For å stoppe (avslutte) Cruise Control (CCS) » i håndboken.
	CCS-ikonet blinker på LCD-skjermen.	AV	Nei	CCS-funksjonen (cruise control system) har sviktet. Parkeringsbremspedalen trykkes inn for å stoppe traktoren.	CCS-funksjonen kunne ikke stilles inn når traktoren kjører i svært lav hastighet eller kjører i revers. Etter at parkeringsbremsen er sluppet, trykk på CCS-knappen og CCS-ikonet vil lyse på LCD-skjermen, eller gå ut av CCS-funksjonen ved å følge instruksjonene i avsnittet « For å stoppe (avslutte) Cruise Control (CCS) ».
NO 	Ingen bagger-ikon lyser på LCD-skjermen	n/a	Nei	Det indikerer at gressoppsamleren ikke er montert på traktoren eller ikke er riktig montert.	Monter gressoppsamleren riktig på traktoren.
	Full bagger-ikonet blinker på LCD-skjermen	n/a	Nei	Det indikerer at gressoppsamleren er full.	Tøm gressoppsamleren og skift den på riktig måte.
n/a	n/a	AV	Fortsetter å pipe	Traktoren parkeres i en skråning og føreren forlater traktoren uten å sette på parkeringsbremsen i parkeringsbremseposisjonen.	Sett parkeringsbremsepedalen i parkeringsbremseposisjon. Parkeringsbremseikonet vil lyse og lydindikatoren slutter å pipe.
AV	Ladeportfeil	Solid RØD	n/a	Det er ingen strømforsyning.	Sjekk stikkkontakten om det er 220V-240V som følger med eller om kontakten er god.
		Solid RØD	n/a	Elektroniske feil, slik som ladeporten er i åpen krets, sikringen er gått, etc.	Kontakt EGO kundeservicesenter for reparasjon.

FEILKODEREFERANSE

Beskrivelse	Feilkode på LCD	Lydindikator	Løsning
Venstre bladmotor svikter i rotasjon	509	Ett pip	Inspiser bladet først. Hvis den er løsnet, stram bolten med anbefalt tiltrekkingmoment. Ellers, kontakt EGO kundeservicesenter for reparasjon.
Høyre bladmotor svikter i rotasjon	609	Ett pip	

MERKNAD: For andre feilkoder som dukket opp på LCD-skjermen, som kan indikere PCBA-feil, løs tilkobling, motorfeil på drivmotoren, bladmotorer osv., vennligst fjern alle batteripakker og sett dem inn igjen noen minutter senere for å starte traktoren på nytt. Hvis dette ikke løser problemet, vennligst noter feilkoden og kontakt EGO kundeservicesenter for reparasjon.

GARANTI

EGO GARANTIPOLITIKK

Besøk nettstedet egopowerplus.eu for fullstendige vilkår og betingelser for EGO-garantipolicyen.

NO

ПРОЧИТАЙТЕ ВСЕ ИНСТРУКЦИИ!



ПРОЧИТАЙТЕ РУКОВОДСТВО ПОЛЬЗОВАТЕЛЯ

СИМВОЛЫ БЕЗОПАСНОСТИ

Символы безопасности предназначены для привлечения внимания к возможным рискам. Символы безопасности, а также пояснения к ним, требуют особого внимания и понимания. Предупреждения по технике безопасности сами по себе не устраняют опасность. Инструкции и предупреждения не заменяют соответствующие меры по предотвращению несчастных случаев.

▲ ПРЕДУПРЕЖДЕНИЕ. Перед использованием устройства внимательно прочитайте все инструкции в данном руководстве пользователя и ознакомьтесь с предупреждающими символами безопасности, такими как **ОПАСНОСТЬ**, **ПРЕДУПРЕЖДЕНИЕ** и **ВНИМАНИЕ**. Несоблюдение всех приведенных ниже инструкций может привести к поражению электрическим током, возникновению пожара и (или) получению серьезных травм.

УСЛОВНЫЕ ОБОЗНАЧЕНИЯ

Далее приведено изображение и описание символов безопасности, которые могут присутствовать на данном устройстве. Перед сборкой или использованием внимательно прочитайте все инструкции, приведенные на устройстве, и соблюдайте их.

RU

СИМВОЛЫ БЕЗОПАСНОСТИ



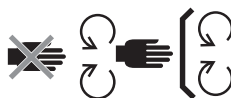
Предупреждение об опасности



Внимательно прочитайте руководство пользователя.



Защита глаз



Выполняйте обслуживание защитных устройств.



ОПАСНО! Риск при нахождении на крутом склоне.



ОПАСНО! Держите посторонних подальше от режущих элементов.



Никогда не перевозите детей на устройстве.



Смотрите назад при движении задним ходом.



ПРЕДУПРЕЖДЕНИЕ. Не используйте устройство на склонах с уклоном более 12°.



ОПАСНО! Отбрасываемые предметы.



ПРЕДУПРЕЖДЕНИЕ. ДЕРЖИТЕ НОГИ И РУКИ НА РАССТОЯНИИ.



Гарантированный уровень звуковой мощности. Соответствует Европейской директиве.



Не становитесь на устройство.



Неисправные электрические устройства нельзя выбрасывать вместе с бытовым мусором. Сдавайте их в авторизованные пункты сбора и утилизации.



Соответствует основным требованиям стандартов безопасности Европейских директив.



ВНИМАНИЕ. Не смотрите непосредственно на включенную лампу.



Постоянный ток

кПа

Килопаскаль

В

Вольт

в

Дюйм

Нм

Ньютон-метр

°С

Градус Цельсия

км/ч

Километров в час



Данное изделие соответствует действующему законодательству Великобритании.

об/мин

Оборотов в минуту

м

Метры

см

Сантиметры

мм

Миллиметры

кг

Килограмм

IPX4

Класс защиты

УСЛОВНЫЕ ОБОЗНАЧЕНИЯ В ДАННОМ РУКОВОДСТВЕ



Важная информация.



Указанное действие прекращается.

ТЕХНИЧЕСКИЕ ХАРАКТЕРИСТИКИ

RU

Напряжение	56 В	
Размер платформы	98 см	
Размер колеса	Спереди	15 x 6 – 6 дюймов
	Сзади	18 x 7,5 – 8 дюймов
Давление в холодных шинах	Спереди	96,5 кПа
	Сзади	170 кПа
Скорость вращения режущего элемента (об/мин)	До 3000	
Максимальная скорость движения	Вперед	До 9,6 км/ч
	Назад	До 4,8 км/ч
Регулировка высоты скашивания (12 положений)	25–100 мм	
Диапазон температуры зарядки	От 5 до 40 °С	
Рабочая температура	От 0 до 40 °С	
Температура хранения	От –20 до 70 °С	
Масса (без аккумулятора)	220 кг	
Измеренный уровень звуковой мощности L_{WA}	97,7 дБ (А) K=1,75 дБ (А)	
Уровень звукового давления на уши оператора L_{PA}	83,6 дБ (А) K=3 дБ (А)	
Гарантированный уровень звуковой мощности L_{WA} (измерен в соответствии с 2000/14/ЕС)	100 дБ (А)	
Вибрация a_h	Рука	0,24 м/с ² K=1,5 м/с ²
	Туловище	0,18 м/с ² K=1,5 м/с ²

- Указанное общее значение вибрации было определено с помощью стандартного теста и может быть использовано для сравнения разных инструментов.
- Указанное общее значение вибрации также может использоваться для предварительной оценки уровня воздействия.

ПРИМЕЧАНИЕ. Реальное вибрационное воздействие электроинструмента может отличаться от указанного в зависимости от способа использования. В целях безопасности оператор должен надевать перчатки и средства защиты органов слуха во время использования устройства.

РЕКОМЕНДУЕМЫЕ ПРИНАДЛЕЖНОСТИ

▲ ПРЕДУПРЕЖДЕНИЕ. Используйте только аксессуары, перечисленные ниже. Использование аксессуаров с другими характеристиками может привести к снижению эффективности работы и безопасности устройства.

НАЗВАНИЕ ДЕТАЛИ	НОМЕР МОДЕЛИ
Набор режущих элементов	AB3801TD
Заглушка для приготовления мульчи	AMP3800T

ОПИСАНИЕ

ЧАСТИ ТРАКТОРА (Рис. А1)

1. Сиденье
2. Подстаканники
3. Заднее колесо (ведущее), 2 шт.
4. Промывочный порт, 2 шт.
5. Платформа
6. Противооткатное колесо, 2 шт.
7. Переднее колесо, 2 шт.
8. Передний бампер
9. Педаль стояночного тормоза
10. Светодиодная фара, 2 шт.
11. Приводной блок
12. Отсек для хранения
13. Рычаг блокировки стояночного тормоза
14. Рулевое колесо
15. Рычаг регулировки положения сиденья
16. Травосборник
17. Порт для зарядки
18. USB-порт
19. Корзина для хранения
20. Педаль акселератора
21. Рычаг регулировки высоты платформы
22. Рычаг опрокидывания
23. Рукоятка
24. Индикатор состояния трактора
25. Кнопка регулировки скорости режущего элемента
26. Кнопка СКАШИВАНИЯ ЗАДНИМ ХОДОМ
27. Кнопка запуска/остановки
28. Рычаг управления направлением
29. Ключ безопасности
30. Переключатель отбора мощности
31. Кнопка CCS (система круиз-контроля)
32. Кнопка светодиодной подсветки/кнопка Bluetooth
33. Кнопка регулировка скорости движения
34. Кнопка фиксации крышки приводного блока
35. Крышка приводного блока
36. Приводной блок с шестью аккумуляторными отсеками
37. Кнопка фиксации аккумулятора

RU

ЖК-ДИСПЛЕЙ (Рис. А2)

Более подробную информацию о символах и индикаторах на ЖК-дисплее см. в разделах **СВЕДЕНИЯ О СОСТОЯНИИ ТРАКТОРА** и **КОДЫ НЕИСПРАВНОСТИ**.

1. Символ CCS
2. Индикатор состояния защитного устройства
3. Символ ОТКЛЮЧЕНИЯ СКАШИВАНИЯ ЗАДНИМ ХОДОМ
4. Символ движения вперед
5. Символ заднего хода
6. Символ ключа безопасности
7. Символ светодиодного освещения
8. Индикатор Bluetooth
9. Индикатор скорости работы режущего элемента
10. Счетчик моточасов
11. Указатель уровня заряда
12. Символ температуры
13. Символ оповещения (перегрузка/низкий уровень питания)
14. Символ свободного аккумуляторного отсека
15. Символ занятого аккумуляторного отсека
16. Индикатор кода неисправности
17. Индикатор нагрузки
18. Индикатор скорости хода
19. Символ полного травосборника
20. Символ отсутствия травосборника

РАСПАКОВКА

ПРИМЕЧАНИЕ. Сохраните упаковочные материалы до тех пор, пока не проверите изделие и не убедитесь в его исправной работе. Если какие-либо части из списка комплекта поставки установлены на устройство, немедленно обратитесь в сервисный центр EGO.

ПРИМЕЧАНИЕ. За исключением инструментов, указанных в приведенном ниже списке комплекта поставки, все остальные инструменты, упомянутые в руководствах, только рекомендуются к использованию, но не прилагаются.

КОМПЛЕКТ ПОСТАВКИ (Рис. В)

В-1	Электрический садовый трактор	В-2	Сиденье
В-3	Рулевое колесо	В-4	Пылезащитный колпачок
В-5	Комбинированные ключи	В-6	Торцевой ключ 18 мм
В-7	Степ-болты (1 запасной)	В-8	Гайки М8 (1 запасная)
В-9	Гайки М12 (1 запасная)	В-10	Шайбы (1 запасная)
В-11	Ключ безопасности	В-12	Быстроразъемное соединение для промывочного порта

B-13	Руководство по эксплуатации	B-14	Травосборник (с двумя комплектами болтов и гаек для боковых кронштейнов)
B-15	U-образный кронштейн	B-16	Боковой кронштейн
B-17	Рычаг опрокидывания	B-18	Левый и правый опорный кронштейн травосборника
B-19	Переключатель	B-20	Болт M8X40
B-21	Болт M8X25	B-22	Гайка M8

СБОРКА

УСТАНОВКА РУЛЕВОГО КОЛЕСА (Рис. C1)

C1-1	Рулевая колонка	C1-2	Рулевое колесо
C1-3	Центральная линия	C1-4	Шайба
C1-5	Гайка	C1-6	Торцевой ключ 18 мм
C1-7	Крышка для защиты от пыли		

УСТАНОВКА СИДЕНЬЯ (Рис. C2)

⚠ ПРЕДУПРЕЖДЕНИЕ. Запрещается отключать или обходить систему защитной блокировки. Это может привести к неожиданному поведению трактора при работе и стать причиной травмы.

C2-1	Сиденье	C2-2	Гайка (M8)
C2-3	Степ-болт	C2-4	Разъем
C2-5	Штекер		

УСТАНОВКА ТРАВΟΣБОРНИКА (Рис. C3 – C8)

C3-1	U-образный кронштейн	C3-2	Травосборник
C3-2	4 комплекта болтов и гаек (M8X40)	C3-4	Комбинированный ключ
C4-1	Боковые кронштейны	C4-2	4 комплекта болтов и гаек (M8X40)
C4-3	Комбинированный ключ	C5-1	Рычаг опрокидывания
C5-2	1 комплект болтов и гаек (M8X40)	C5-3	Комбинированный ключ
C6-1	Опорные кронштейны травосборника	C6-2	4 комплекта болтов и гаек (M8X25)
C6-3	Комбинированные ключи	C7-1	Переключатель
C7-2	2 гайки (M8)	C7-3	Комбинированный ключ

РЕГУЛИРОВКА

ПЕРЕД РЕГУЛИРОВКОЙ (Рис. D1)

РЕГУЛИРОВКА ВЫСОТЫ СКАШИВАЮЩЕЙ ПЛАТФОРМЫ (Рис. D2)

РЕГУЛИРОВКА ПРОТИВООТКАТНЫХ КОЛЕС

(Рис. D3 – D6)

D3-1	Противооткатные колеса	D5-1	Гайка
D5-2	Колесный болт	D6-1	Маркировка высоты платформы

РЕГУЛИРОВКА СИДЕНЬЯ (Рис. D7)

D7-1	Рычаг регулировки положения сиденья
------	-------------------------------------

ИСПОЛЬЗОВАНИЕ

ПЕРЕД ЭКСПЛУАТАЦИЕЙ (Рис. E1)

НАСТРОЙКА СТОЯНОЧНОГО ТОРМОЗА (Рис. E2)

E2-1	Положение торможения	E2-2	Положение разблокировки
------	----------------------	------	-------------------------

⚠ ПРЕДУПРЕЖДЕНИЕ. ПЕДАЛЬ СТОЯНОЧНОГО ТОРМОЗА НЕ ПОЗВОЛЯЕТ СНИЗИТЬ СКОРОСТЬ ДВИЖЕНИЯ. НИКОГДА НЕ ПЫТАЙТЕСЬ НАЖИМАТЬ ПЕДАЛЬ СТОЯНОЧНОГО ТОРМОЗА ДЛЯ СНИЖЕНИЯ СКОРОСТИ ДВИЖЕНИЯ. ЕСЛИ ПЕДАЛЬ СТОЯНОЧНОГО ТОРМОЗА НАЖАТА, НО НЕ ПЕРЕВЕДЕНА В ПОЛОЖЕНИЕ ТОРМОЖЕНИЯ, ЭЛЕКТРИЧЕСКИЙ ТОРМОЗ ПЕРЕСТАЕТ ДЕЙСТВОВАТЬ, И ТРАКТОР ПРЕКРАЩАЕТ ДВИЖЕНИЕ ПО РОВНОЙ ПОВЕРХНОСТИ. НО ЕСЛИ ЭТО ПРОИСХОДИТ НА СКЛОНЕ, ТО ПОСЛЕ ОТПУСКАНИЯ ПЕДАЛИ СТОЯНОЧНОГО ТОРМОЗА ТРАКТОР МОЖЕТ СОСКОЛЬЗНУТЬ ВНИЗ.

⚠ ПРЕДУПРЕЖДЕНИЕ. ПОТЯНИТЕ ВВЕРХ РЫЧАГ БЛОКИРОВКИ СТОЯНОЧНОГО ТОРМОЗА И НЕМЕДЛЕННО НАЖМИТЕ ПЕДАЛЬ СТОЯНОЧНОГО ТОРМОЗА, ЧТОБЫ ПРИВЕСТИ ЕГО В ПОЛОЖЕНИЕ ТОРМОЖЕНИЯ. В СЛУЧАЕ ВОЗНИКНОВЕНИЯ АВАРИЙНОЙ СИТУАЦИИ ТРАКТОР НЕМЕДЛЕННО ОСТАНОВИТСЯ И НЕ БУДЕТ СКОЛЬЗИТЬ ПО СКЛОНУ.

УСТАНОВКА И ИЗВЛЕЧЕНИЕ АККУМУЛЯТОРА

(Рис. E3 – E6)

Для работы трактора необходимы аккумуляторы EGO общей емкостью 15 Ач (2 x BA4200/BA4200T) или более. Для максимальной эффективности рекомендуется использовать аккумуляторы EGO емкостью не менее 30 Ач.

E3-1	Кнопка фиксации крышки	E5-1	Кнопка извлечения аккумулятора
------	------------------------	------	--------------------------------

ЗАРЯДКА ТРАКТОРА

Используйте только с рекомендованными аккумуляторами и зарядными устройствами

- Заряжайте аккумуляторы отдельно (Рис. E7)

ПРИМЕЧАНИЕ. Подробные инструкции см. в соответствующих руководствах по эксплуатации аккумулятора и зарядного устройства.

- Заряжайте аккумуляторы через зарядный порт (Рис. E8 – E10)

E10-1	Пылезащитный колпачок	E10-2	Порт для зарядки
-------	-----------------------	-------	------------------

ПРОВЕРКА СИСТЕМЫ ЗАЩИТНОЙ БЛОКИРОВКИ

- а. Проверка системы режущих элементов платформы (Рис. E11 – E12).
- б. Проверка системы управления (Рис. E13 – E14)

Если система режущих элементов платформы и (или) система управления не останавливаются, когда оператор встает с сиденья, и если причину невозможно определить после проверки надежности подключения штекера к разъему сиденья, немедленно обратитесь в сервисный центр EGO.

КОММУНИКАЦИОННЫЕ ТЕХНОЛОГИИ

Для получения информации и полного списка наших продуктов и услуг, включая инструкции по подключению, отсканируйте QR-код ниже или посетите сайт www.egopowerplus.eu/connect.



RU

ПРОВЕРКА ПЕРЕД ЭКСПЛУАТАЦИЕЙ

- Убедитесь, что в рабочей зоне нет детей, посторонних лиц и домашних животных.
- Очистите рабочую зону от предметов, которые могут быть отброшены режущими элементами трактора.
- Очистите трактор от мусора.
- Проверьте устройство на наличие ослабленных креплений.
- Убедитесь, что все щитки на месте и работают должным образом.
- Визуально проверьте, не спущены ли колеса.
- Проверьте работу тормозов.
- Установите платформу на необходимую для стрижки высоту и соответствующим образом отрегулируйте противооткатные колеса.
- Отрегулируйте положение сиденья и убедитесь, что обе педали доступны.
- Проверьте уровень заряда аккумулятора.
- Проверьте систему защитной блокировки.
- Убедитесь, что травосборник установлен правильно.

ЗАПУСК ТРАКТОРА (Рис. E15 – E16)

▲ ПРЕДУПРЕЖДЕНИЕ. Избегайте резких запусков, остановок и поворотов, а также чрезмерной скорости, особенно при обучении работе с трактором. Компоненты трактора могут быстро вращаться, что может привести к потере контроля и серьезным травмам и (или) повреждениям.

▲ ПРЕДУПРЕЖДЕНИЕ. Перед запуском трактора убедитесь, что режущие элементы останавливаются в течение 5 секунд при перемещении переключателя отбора мощности вниз. Если режущие элементы не останавливаются, не используйте трактор и немедленно обратитесь в сервисный центр EGO.

ПРИМЕЧАНИЕ.

- Если педаль стояночного тормоза установлена в положение торможения, то для включения ЖК-дисплея достаточно нажать кнопку запуска/остановки на 3 секунды, а затем отпустить педаль стояночного тормоза перед началом движения трактора.
- Запуск режущих элементов возможен в любой момент, если ЖК-дисплей полностью включен, а рычаг управления направлением движения не оттянут назад в направлении «R». Для включения режущих элементов при движении трактора задним ходом см. раздел **ВКЛЮЧЕНИЕ РЕЖУЩИХ ЭЛЕМЕНТОВ ПРИ ДВИЖЕНИИ ЗАДНИМ ХОДОМ** данного руководства.

ПРИМЕЧАНИЕ. С помощью инструкций на Рис. E17 установите минимальную скорость движения до тех пор, пока не научитесь управлять трактором в любых ситуациях.

Электрический садовый трактор не запоминает настройки скорости движения и скорости вращения режущих элементов. Скорость движения и скорость вращения возвращаются на уровень 2 каждый раз, когда трактор выключается.

Регулировка скорости хода (Рис. E17)

Регулировка скорости режущих элементов (Рис. E18)

ПРИМЕЧАНИЕ. При выбранном уровне 3 снова нажмите кнопку регулировки скорости режущих элементов, и значение скорости вернется к предыдущему.

Светодиодные фары (Рис. E19)

- Светодиодные фары можно включать и выключать с помощью выключателя.

USB-порт

ПРИМЕЧАНИЕ. Порт USB обеспечивает зарядную мощность 5 В постоянного тока при суммарном потреблении до 1,5 А. Питание на него подается только при запуске трактора.

ОСТАНОВКА ТРАКТОРА (Рис. E20)

▲ ПРЕДУПРЕЖДЕНИЕ. Всегда устанавливайте педаль стояночного тормоза в положение торможения, когда трактор останавливается на склоне. В противном случае трактор может соскользнуть со склона, что может привести к серьезным повреждениям трактора или травмам!

ПРИМЕЧАНИЕ. Когда педаль стояночного тормоза установлена в положение торможения и оператор находится на сиденье, но аккумуляторы не сняты, происходит следующее.

- Если ЖК-дисплей выключен, индикаторы заряда аккумулятора, кнопка запуска/остановки и кнопка CCS будут светиться в течение 1 часа.
- Если на ЖК-дисплее отображается указатель уровня заряда или интерфейс оператора, трактор автоматически выключится через 1 час.

Аварийный режим

Когда заряд аккумулятора становится критически низким, трактор переходит в аварийный режим. Это необходимо для сохранения достаточного количества энергии, чтобы вернуться в зону зарядки.

- Режущие элементы переключаются на низкую скорость вращения, что позволяет срезать лишь очень небольшое количество травы. При встрече с высокой и густой травой лезвия перестают вращаться. Трактор будет издавать прерывистый звуковой сигнал.
- Индикатор состояния трактора будет мигать красным каждую секунду, также будут мигать символ оповещения (низкий уровень питания) и символ каждого занятого аккумуляторного отсека.

В этом случае выполните следующее.

- Нажмите переключатель отбора мощности вниз, чтобы отключить режущие элементы. Звуковой сигнал перестанет звучать, когда режущие элементы остановятся.
- Прекратите работу и как можно скорее отправляйтесь к месту зарядки аккумулятора. Максимальное расстояние, которое может преодолеть трактор, составляет 1000 м.

Когда аккумулятор почти разряжен, символ каждого занятого аккумуляторного отсека и индикатор низкого уровня питания будут мигать каждые полсекунды. Трактор немедленно прекратит работу. Оператор должен будет доставить трактор к месту зарядки.

ПРИМЕЧАНИЕ. Если необходимо толкать устройство вручную, убедитесь, что аккумуляторы отсоединены от трактора, а педаль стояночного тормоза отпущена из положения торможения.

ВОЖДЕНИЕ ТРАКТОРА (Рис. E21)

⚠ ОПАСНО! Держитесь на расстоянии не менее двукратной ширины скашивания от любых канав, обрывов или воды. Когда трактор остановлен, передние колеса могут вращаться даже при включенном тормозе, что может привести к переворачиванию трактора или его падению в воду, что станет причиной смерти или серьезных травм.

⚠ ПРЕДУПРЕЖДЕНИЕ. Не эксплуатируйте трактор на дорогах общего пользования.

⚠ ПРЕДУПРЕЖДЕНИЕ. При засорении или столкновении с посторонним предметом остановите двигатель и извлеките аккумуляторы. Удалите обрезки травы, листья, грязь и любой другой скопившийся мусор. Перед повторным запуском и эксплуатацией осмотрите трактор на наличие повреждений и при необходимости отремонтируйте.

ПРИМЕЧАНИЕ.

- Если во время движения оператор покидает сиденье, индикатор состояния трактора гаснет. При возобновлении движения сядьте на сиденье и полностью выжмите педаль стояночного тормоза, чтобы индикатор состояния трактора светился зеленым.
- При переключении между передним и задним ходом во время движения перемещайте рычаг управления направлением движения прямо из одного конца в другой, не останавливаясь в нейтральном положении, иначе трактор может остановиться.


ИСПОЛЬЗОВАНИЕ КРУИЗ-КОНТРОЛЯ (CCS)



Активация (включение) круиз-контроля (CCS) (Рис. E22)

ПРИМЕЧАНИЕ. Уровень скорости движения, отображаемый на ЖК-дисплее, может неточно отражать фактическую скорость движения трактора в режиме круиз-контроля. Нажмите кнопку регулировки скорости, чтобы «обновить» уровень скорости движения на ЖК-дисплее.

Для остановки (выключения) круиз-контроля (CCS) можно выбрать один из трех способов.

- Нажмите педаль акселератора до упора и удерживайте в этом положении. Режим CCS отключится, и трактор продолжит движение.
- Слегка нажмите на педаль акселератора, а затем отпустите ее. Трактор остановится и функция CCS отключится.
- Нажмите кнопку CCS. Трактор остановится и функция CCS отключится.

ПРИМЕЧАНИЕ. При отключении функции CCS символ  исчезнет с ЖК-дисплея и дважды прозвучит звуковой сигнал.

ПРИМЕЧАНИЕ. Если педаль стояночного тормоза нажата, трактор остановится, но символ  на ЖК-дисплее будет мигать, указывая на то, что функция CCS находится в режиме ожидания. В этом случае отпустите педаль стояночного тормоза и нажмите кнопку CCS. Трактор автоматически возобновит движение, и символ  перестанет мигать.

ВКЛЮЧЕНИЕ РЕЖУЩИХ ЭЛЕМЕНТОВ ПРИ ДВИЖЕНИИ ЗАДНИМ ХОДОМ

ПРИМЕЧАНИЕ. Скашивание задним ходом не рекомендуется.


⚠ ПРЕДУПРЕЖДЕНИЕ. Будьте предельно осторожны при скашивании задним ходом. Перед началом и во время скашивания задним ходом всегда следите за тем, чтобы в рабочей зоне не было посторонних лиц, особенно детей.

⚠ ПРЕДУПРЕЖДЕНИЕ. Обзорность оператора может быть ухудшена при работе на тракторе, оснащенном комплектом травосборника. Перед началом и во время скашивания задним ходом всегда следует соблюдать чрезвычайную осторожность и следить за окружающей обстановкой.



Активация (включение) режима СКАШИВАНИЯ ЗАДНИМ ХОДОМ (E23)

Для остановки (выключения) режима СКАШИВАНИЯ ЗАДНИМ ХОДОМ можно выбрать один из четырех способов.

- Нажмите кнопку СКАШИВАНИЯ ЗАДНИМ ХОДОМ один раз.
- Поднимитесь с сиденья трактора.
- Нажмите кнопку запуска/остановки и удерживайте ее в течение 3 секунд, чтобы выключить ЖК-дисплей.
- Извлеките ключ безопасности или аккумулятор, чтобы выключить трактор.

ПРИМЕЧАНИЕ. Когда СКАШИВАНИЕ ЗАДНИМ ХОДОМ прекращается, на ЖК-дисплее светится символ .

ОПОРОЖНЕНИЕ ТРАВСОБОРНИКА (Рис. E24)

ПРИМЕЧАНИЕ. Когда на ЖК-дисплее мигает символ , травосборник заполнен. После опорожнения травосборника символ  исчезнет с ЖК-дисплея.

ПРИМЕЧАНИЕ. Травосборник должен был правильно установлен на тракторе. В противном случае трактор будет ехать, но включить двигателя режущих элементов будет невозможно.

ОБСЛУЖИВАНИЕ

RU

⚠ ПРЕДУПРЕЖДЕНИЕ. Всегда надевайте защитные очки с боковыми щитками. В противном случае выбрасываемые предметы попадут в глаза, что может привести к получению серьезной травмы.

⚠ ПРЕДУПРЕЖДЕНИЕ. При выполнении любых работ по обслуживанию режущих элементов всегда надевайте прочные перчатки либо обматывайте режущий элемент ветошью или другим материалом. Перед проведением обслуживания или транспортировкой устройства обязательно извлекайте ключ безопасности и аккумулятор.

РЕКОМЕНДУЕМЫЙ ГРАФИК ТЕХНИЧЕСКОГО ОБСЛУЖИВАНИЯ

Интервалы технического обслуживания	Процедура обслуживания
Перед каждым использованием или ежедневно	<ul style="list-style-type: none"> ■ Проверьте систему защитной блокировки. ■ Визуально проверьте, не спущены ли колеса. ■ Осмотрите режущие элементы. ■ Полностью проверьте устройство на наличие поврежденных, отсутствующих или плохо закрепленных частей, таких как боковой разгрузочный желоб, винты, гайки, болты, крышки и т. д., и убедитесь, что все защитные приспособления находятся на месте и работают надлежащим образом. ■ Проверьте и убедитесь, что педаль акселератора может быть правильно нажата и отпущена. ■ Проверьте амортизатор рулевого колеса. Рулевое колесо должно вращаться с определенным сопротивлением.

После каждого использования	<ul style="list-style-type: none"> ■ Очистите трактор и вымойте платформу.
Каждые 25 часов	<ul style="list-style-type: none"> ■ Проверьте давление в шинах.
Каждые 100 часов	<ul style="list-style-type: none"> ■ Проверьте задние колеса и убедитесь, что все гайки затянуты с рекомендуемым крутящим моментом (101–103 Нм). ■ Проверьте передние колеса и убедитесь, что гайки затянуты с рекомендуемым крутящим моментом (90–92 Нм).
Каждые 200 часов	<ul style="list-style-type: none"> ■ Проверьте передние колеса и убедитесь, что они свободно вращаются.
Каждые полгода	<ul style="list-style-type: none"> ■ Проверьте педаль стояночного тормоза. Снимите аккумулятор с трактора, затем потяните вверх рычаг блокировки стояночного тормоза и нажмите педаль стояночного тормоза, чтобы включить стояночный тормоз. Вручную толкните трактор вперед и проверьте, можно ли передвигать трактор без вращения задних колес. Если трактор движется, а задние колеса при этом вращаются, обратитесь в сервисный центр EGO для ремонта.
Перед хранением	<ul style="list-style-type: none"> ■ Извлеките аккумуляторы из трактора. ■ Извлеките ключ безопасности из трактора. ■ Выполните все перечисленные выше процедуры технического обслуживания и тщательно очистите трактор. ■ Осмотрите все устройство на наличие поврежденных, отсутствующих или незакрепленных деталей, замените или затяните соответствующие детали перед хранением.
Ежегодно	<ul style="list-style-type: none"> ■ Смажьте втулки передних колес.

ОБЩЕЕ ОБСЛУЖИВАНИЕ

Опорожнение травосборника (Рис. F1 – F3)

Очистка корпуса трактора (Рис. F4)

Использование промывочного порта для очистки платформы трактора (Рис. F5 – F6)

F5-1	Промывочный порт	F5-2	Быстроразъемное соединение для промывочного порта
F5-3	Садовый шланг		

ПРИМЕЧАНИЕ. Закончив очистку, полностью выключите трактор, а затем снимите садовый шланг и быстроразъемное соединение.

ОБСЛУЖИВАНИЕ ПЛАТФОРМЫ ТРАКТОРА И РЕЖУЩИХ ЭЛЕМЕНТОВ

Подготовка (Рис. G1)

Снятие платформы (Рис. G2 – G3)

G2-1	Кабель двигателя	G2-2	Шплинт
G2-3	Сцепное устройство подвески		

Замена режущих элементов (Рис. G4 – G6)

G4-1	Стабилизатор	G5-1	Болт
G5-2	Шайба	G5-3	Режущий элемент
G5-4	Фланец	G5-5	Вал двигателя

Выравнивание платформы

- a. Когда необходимо выравнивание (Рис. G7, G8, G9)
- b. Перед выравниванием
 - Проверьте давление в холодных шинах (Рис. G10).
 - Проверьте режущие элементы. При необходимости снимите и замените изношенные, треснувшие и (или) погнутые режущие элементы.
- c. Подготовка к выравниванию (Рис. G11)
- d. Порядок выравнивания
 - Выполнение боковой регулировки (Рис. G12)
 - Выполнение передне-задней регулировки (Рис. G13)

ХРАНЕНИЕ И ТРАНСПОРТИРОВКА

ТРАНСПОРТИРОВКА ТРАКТОРА (Рис. H1 – H5)

H2-1	Желоба	H2-2	Ремни
------	--------	------	-------

ПРИМЕЧАНИЕ. При необходимости закрепите трактор с помощью ремней или тросов, чтобы предотвратить его перемещение во время транспортировки.

ХРАНЕНИЕ (Рис. I1–I2)

ПРИМЕЧАНИЕ. Извлекайте и храните аккумуляторы отдельно (см. соответствующие руководства).

Очистите и проверьте трактор перед уборкой на хранение в соответствии с разделами **ОБЩЕЕ ОБСЛУЖИВАНИЕ** и **РЕКОМЕНДУЕМЫЙ ГРАФИК ТЕХНИЧЕСКОГО ОБСЛУЖИВАНИЯ**.

Защита окружающей среды



Утилизация отходов электрического и электронного оборудования (WEEE). Не выбрасывайте электроприборы, зарядные устройства и аккумуляторные батареи вместе с бытовыми отходами!

Отправьте данное изделие на переработку в специализированное предприятие или сдайте его для отдельного сбора. Электроинструменты должны быть возвращены на перерабатывающее предприятие, не наносящее ущерба окружающей среде.

RU

УСТРАНЕНИЕ НЕПОЛАДОК

ПРОБЛЕМА	ПРИЧИНА	РЕШЕНИЕ
RU Электрический садовый трактор не движется при нажатии педали акселератора.	<ul style="list-style-type: none"> Суммарная емкость установленных аккумуляторов не соответствует требованиям. 	<ul style="list-style-type: none"> Чтобы запустить трактор, используйте достаточное количество аккумуляторов EGO в соответствии с инструкциями в разделе УСТАНОВКА И ИЗВЛЕЧЕНИЕ АККУМУЛЯТОРА настоящего руководства.
	<ul style="list-style-type: none"> Педаль стояночного тормоза установлена в положение торможения. 	<ul style="list-style-type: none"> Полностью отпустите педаль стояночного тормоза, чтобы вывести ее из положения торможения.
	<ul style="list-style-type: none"> Индикатор состояния трактора не светится зеленым. 	<ul style="list-style-type: none"> Нажмите педаль стояночного тормоза, а затем отпустите. Индикатор состояния трактора будет светиться зеленым. Это означает, что трактор готов к запуску.
	<ul style="list-style-type: none"> Оператор не сидит на сиденье. 	<ul style="list-style-type: none"> Эксплуатация трактора возможна только в том случае, если оператор правильно сидит на сиденье.
	<ul style="list-style-type: none"> Система блокировки сиденья подключена неправильно. 	<ul style="list-style-type: none"> Извлеките аккумуляторы из трактора, поднимите спинку сиденья и убедитесь, что вилка кабеля правильно подсоединена к розетке в нижней части сиденья (см. главу УСТАНОВКА СИДЕНЬЯ). Следуйте инструкциям в разделе ЗАПУСК ТРАКТОРА, чтобы перезапустить трактор и проверить его работоспособность. В случае неудачи обратитесь в сервисный центр EGO для ремонта.
	<ul style="list-style-type: none"> При экстремально холодной погоде функция движения может не запуститься из-за срабатывания защиты от низкой температуры. 	<ul style="list-style-type: none"> Всегда храните трактор и аккумуляторы в теплом месте. Перезапустите трактор, когда он прогреется. Не делайте повторных попыток в условиях сильного холода, который может повредить устройство.
	<ul style="list-style-type: none"> Пространство под педалью акселератора забито мусором. 	<ul style="list-style-type: none"> Проверьте наличие мусора и удалите его.
	<ul style="list-style-type: none"> Неисправность механических или электронных компонентов педали акселератора. 	<ul style="list-style-type: none"> Обратитесь в сервисный центр EGO для ремонта.
<ul style="list-style-type: none"> Рычаг управления направлением движения находится в нейтральном положении. 	<ul style="list-style-type: none"> Нажмите или потяните рычаг управления направлением движения в направлении «D» или «R». 	

ПРОБЛЕМА	ПРИЧИНА	РЕШЕНИЕ
Электрический садовый трактор прекратил движение.	<ul style="list-style-type: none"> При переключении между передним и задним ходом во время движения рычаг управления направлением движения остается в нейтральном положении в течение длительного времени. 	<ul style="list-style-type: none"> Отпустите педаль акселератора, а затем снова нажмите.
	<ul style="list-style-type: none"> Неисправность электронных компонентов педали акселератора. 	<ul style="list-style-type: none"> Обратитесь в сервисный центр EGO для ремонта.
	<ul style="list-style-type: none"> Система защитной блокировки сиденья отсоединилась во время движения по пересеченной местности. 	<ul style="list-style-type: none"> Извлеките аккумуляторы из трактора, поднимите спинку сиденья и убедитесь, что вилка кабеля правильно подсоединена к розетке в нижней части сиденья (см. главу УСТАНОВКА СИДЕНЬЯ). Следуйте инструкциям в разделе ЗАПУСК ТРАКТОРА, чтобы перезапустить трактор и проверить его работоспособность. В случае неудачи обратитесь в сервисный центр EGO для ремонта.
	<ul style="list-style-type: none"> Масса оператора неравномерно распределена по сиденью. Масса оператора на сиденье должна быть не менее 20 кг, чтобы система защитной блокировки сиденья работала должным образом. 	<ol style="list-style-type: none"> Сядьте правильно на сиденье, полностью выжмите педаль стояночного тормоза и отпустите ее. Трактор готов к движению. При необходимости отсоедините и снова подсоедините аккумуляторы.
	<ul style="list-style-type: none"> Как только педаль стояночного тормоза будет нажата достаточно, но не зафиксирована в положении парковки, трактор остановится. 	<ul style="list-style-type: none"> Следуйте инструкциям в разделе ЗАПУСК ТРАКТОРА, чтобы перезапустить трактор.
<p>Электрическая садовый трактор не запускает режущие элементы при включенном переключателе отбора мощности.</p> <p> Мигает символ переключателя отбора мощности.</p>	<ul style="list-style-type: none"> Суммарная емкость установленных аккумуляторов не соответствует требованиям. 	<ul style="list-style-type: none"> Чтобы запустить трактор, используйте достаточное количество аккумуляторов EGO в соответствии с инструкциями в разделе УСТАНОВКА И ИЗВЛЕЧЕНИЕ АККУМУЛЯТОРА настоящего руководства.
	<ul style="list-style-type: none"> Переключатель отбора мощности не был нажат при последнем выключении трактора. 	<ul style="list-style-type: none"> Нажмите переключатель отбора мощности вниз, а затем вверх, чтобы перезапустить двигателя режущих элементов.
	<ul style="list-style-type: none"> В момент запуска режущих элементов трактор был перегружен, в результате чего сработала защита двигателя режущих элементов. 	<ul style="list-style-type: none"> Начинайте скашивать траву сначала на более низкой скорости вращения режущих элементов и не увеличивайте эту скорость, пока режущие элементы не начнут вращаться нормально.
	<ul style="list-style-type: none"> При экстремально холодной погоде двигатель режущих элементов может не запуститься из-за срабатывания защиты от низкой температуры. 	<ul style="list-style-type: none"> Всегда храните трактор и аккумуляторы в теплом месте. Перезапустите трактор, когда он прогреется. Не делайте повторных попыток в условиях сильного холода, который может повредить устройство.
	<ul style="list-style-type: none"> Режущие элементы цепляются за деформированную платформу трактора. 	<ul style="list-style-type: none"> Обратитесь в сервисный центр EGO для ремонта.
	<ul style="list-style-type: none"> Травосборник установлен неправильно. 	<ul style="list-style-type: none"> Установите травосборник надлежащим образом в соответствии с инструкциями в разделе УСТАНОВКА ТРАВΟΣБОРНИКА.

ПРОБЛЕМА	ПРИЧИНА	РЕШЕНИЕ
Режущие элементы перестали вращаться во время скашивания травы.	<ul style="list-style-type: none"> Трактор перегружен. 	<ul style="list-style-type: none"> Увеличьте высоту скашивания платформы или уменьшите скорость хода, чтобы снизить нагрузку на трактор.
	<ul style="list-style-type: none"> Платформа забита травой и мусором. 	<ul style="list-style-type: none"> Очистите платформу и убедитесь, что режущие элементы свободно перемещаются.
	<ul style="list-style-type: none"> Трактор перегрелся. 	<ul style="list-style-type: none"> Уменьшите нагрузку на трактор, увеличив высоту скашивания платформы или замедлив скорость вращения режущих элементов / хода, и дайте трактору остыть.
	<ul style="list-style-type: none"> Аккумуляторы в аккумуляторном отсеке трактора перегрелись, в результате чего суммарная емкость всех установленных аккумуляторов стала ниже требуемой 	<ol style="list-style-type: none"> Трактор может продолжить работу, если суммарная емкость используемых аккумуляторов, исключая перегретый, соответствует требованиям. Как только перегретый аккумулятор остынет до нормальной температуры, он сразу же будет использован для питания трактора. Если суммарная емкость используемых аккумуляторов меньше требуемой, трактор не будет работать до тех пор, пока в свободные аккумуляторные отсеки не будут установлены дополнительные аккумуляторы. При возобновлении работы уменьшите нагрузку на трактор, увеличив высоту скашивания платформы или замедлив скорость хода.
	<ul style="list-style-type: none"> Трактор находится в аварийном режиме. 	<ul style="list-style-type: none"> Когда трактор находится в аварийном режиме, режущие элементы автоматически переключаются на низкую скорость вращения. Оператор должен прекратить работу и как можно скорее отправиться к месту зарядки аккумулятора.
	<ul style="list-style-type: none"> Трактор столкнулся с посторонним предметом, в результате чего сработала защита двигателя. 	<ul style="list-style-type: none"> Нажмите переключатель отбора мощности вниз, а затем вверх, чтобы перезапустить двигатели режущих элементов.
	<ul style="list-style-type: none"> Трактор движется задним ходом, при этом на ЖК-дисплее светится символ ОТКЛЮЧЕНИЯ СКАШИВАНИЯ ЗАДНИМ ХОДОМ. 	<ul style="list-style-type: none"> Нажмите переключатель отбора мощности и перезапустите двигатели режущих элементов, следуя инструкциям в разделе Активация (включение) режима СКАШИВАНИЯ ЗАДНИМ ХОДОМ.
Звуковой сигнал продолжает звучать.	<ul style="list-style-type: none"> Трактор находится в аварийном режиме, а режущие элементы не выключаются. 	<ul style="list-style-type: none"> Нажмите переключатель отбора мощности вниз, чтобы отключить двигатели режущих элементов. Звуковой сигнал перестанет звучать, когда двигатели режущих элементов выключатся.
	<ul style="list-style-type: none"> Трактор прекратил движение по склону, а оператор встал с сиденья, не установив педаль стояночного тормоза в положение торможения. 	<ul style="list-style-type: none"> Прежде чем оставить трактор на склоне, установите педаль стояночного тормоза в положение торможения.

ПРОБЛЕМА	ПРИЧИНА	РЕШЕНИЕ
Индикаторы питания на аккумуляторах продолжают светиться, когда трактор выключен.	<ul style="list-style-type: none"> Если трактор выключается на ровной поверхности без извлечения аккумуляторов, индикаторы заряда аккумулятора будут светиться некоторое время. 	<ul style="list-style-type: none"> Никаких действий не требуется. Когда трактор выключится через некоторое время, индикаторы заряда аккумулятора перестанут светиться. Конкретное время указано в разделе ОСТАНОВКА ТРАКТОРА.
	<ul style="list-style-type: none"> Если трактор выключается на склоне без установки педали стояночного тормоза в положение торможения, индикаторы заряда аккумуляторов будут светиться до тех пор, пока аккумуляторы не разрядятся. В то же время звуковой сигнал будет продолжать звучать. 	<ul style="list-style-type: none"> Прежде чем оставить трактор на склоне, установите педаль стояночного тормоза в положение торможения. В противном случае трактор может соскользнуть со склона.
ЖК-дисплей не подсвечивается при включении всех символов.	<ul style="list-style-type: none"> Время нажатия на кнопку запуска/остановки не было достаточным. 	<ol style="list-style-type: none"> При коротком нажатии кнопки запуска/остановки на ЖК-дисплее будет отображаться только указатель уровня заряда. ЖК-дисплей включится после полного нажатия педали стояночного тормоза и одновременного нажатия кнопки запуска/остановки в течение достаточного времени.
	<ul style="list-style-type: none"> Если на ЖК-дисплее мигает символ ключа безопасности , ключ безопасности не вставлен. 	<ul style="list-style-type: none"> Вставьте ключ безопасности, затем полностью нажмите педаль стояночного тормоза и одновременно нажмите кнопку запуска/остановки, чтобы включить ЖК-дисплей.
	<ul style="list-style-type: none"> Если на ЖК-дисплее мигает символ стояночного тормоза , педаль стояночного тормоза нажата не полностью. 	<ul style="list-style-type: none"> Вставьте ключ безопасности, затем полностью нажмите педаль стояночного тормоза и одновременно нажмите кнопку запуска/остановки, чтобы включить ЖК-дисплей.
Трактор косит неравномерно, со значительным перепадом высоты спереди и сзади.	<ul style="list-style-type: none"> Режущие элементы затупились. 	<ul style="list-style-type: none"> Заточите или замените режущий элемент в соответствии с инструкциями в данном руководстве.
	<ul style="list-style-type: none"> Режущие элементы изогнуты. 	<ul style="list-style-type: none"> Замените погнутый режущий элемент в соответствии с инструкциями в разделе Замена режущих элементов.
	<ul style="list-style-type: none"> Платформа не выровнена, что является причиной разной высоты режущих элементов. 	<ul style="list-style-type: none"> Выровняйте платформу в соответствии с инструкциями в разделе Выравнивание платформы.
Фактическая высота скашивания травы не соответствует заявленной.	<ul style="list-style-type: none"> Крепление гаек платформы на сцепном устройстве подвески ослабло. 	<ul style="list-style-type: none"> Следуя инструкциям в разделе Выравнивание платформы, выполните правильную регулировку платформы трактора спереди и сзади и надежно затяните гайки на сцепном устройстве подвески.
	<ul style="list-style-type: none"> Платформа повреждена или серьезно изношена. 	<ul style="list-style-type: none"> Замените платформу в соответствии с инструкциями в разделе Снятие платформы.
Трактор не делает мульчу должным образом.	<ul style="list-style-type: none"> На внутреннюю поверхность платформы налипла срезанная трава. 	<ul style="list-style-type: none"> Перед скашиванием дождитесь высыхания травы.
	<ul style="list-style-type: none"> Трактор отрегулирован таким образом, что срезает слишком много травы за один проход. 	<ul style="list-style-type: none"> Увеличьте высоту скашивания платформы.

ПРОБЛЕМА	ПРИЧИНА	РЕШЕНИЕ
Чрезмерная вибрация.	<ul style="list-style-type: none"> ■ Режущие элементы плохо закреплены. 	<ul style="list-style-type: none"> ■ Затяните болт режущего элемента с рекомендуемым моментом затяжки.
	<ul style="list-style-type: none"> ■ Режущие элементы изогнуты. 	<ul style="list-style-type: none"> ■ Замените погнутый режущий элемент в соответствии с инструкциями в разделе Замена режущих элементов.
	<ul style="list-style-type: none"> ■ Платформа не выровнена. 	<ul style="list-style-type: none"> ■ Выровняйте платформу трактора в соответствии с инструкциями в разделе Выравнивание платформы.
	<ul style="list-style-type: none"> ■ Крепление гаек платформы на сцепном устройстве подвески ослабло. 	<ul style="list-style-type: none"> ■ Затяните гайки на сцепном устройстве подвески.
	<ul style="list-style-type: none"> ■ Платформа отрегулирована таким образом, что срезает слишком много травы за один заход. 	<ul style="list-style-type: none"> ■ Увеличьте высоту скашивания платформы.
После скашивания на земле остается трава или мусор.	<ul style="list-style-type: none"> ■ Платформа отрегулирована таким образом, что срезает слишком много травы за один заход, когда трава высокая. 	<ul style="list-style-type: none"> ■ Начните с большой высоты скашивания и уменьшайте ее до тех пор, пока не будет достигнут желаемый результат скашивания. Траву высотой более 152 мм следует скашивать в два захода, постепенно снижая высоту скашивания.
	<ul style="list-style-type: none"> ■ Трава мокрая. 	<ul style="list-style-type: none"> ■ Не косите мокрую траву. Подождите, пока она высохнет.
	<ul style="list-style-type: none"> ■ Высокая скорость хода. 	<ul style="list-style-type: none"> ■ Уменьшите скорость хода.
	<ul style="list-style-type: none"> ■ Скорость вращения режущего элемента слишком низкая. 	<ul style="list-style-type: none"> ■ Постепенно увеличивайте скорость режущего элемента.
Малое время работы трактора от аккумулятора.	<ul style="list-style-type: none"> ■ На время работы сильно влияют рельеф газона, состояние травы, установка высоты скашивания, скорость движения, скорость вращения режущих элементов и т. д. 	<ul style="list-style-type: none"> ■ Увеличьте высоту скашивания платформы и уменьшите скорость режущего элемента, чтобы снизить нагрузку.
Трактор не движется по прямой.	<ul style="list-style-type: none"> ■ Давление в шинах левого и правого колес различается. 	<ul style="list-style-type: none"> ■ Проверьте и отрегулируйте давление воздуха в шинах передних и задних колес в соответствии с рекомендациями в разделе ТЕХНИЧЕСКИЕ ХАРАКТЕРИСТИКИ настоящего руководства.
Педаля стояночного тормоза не отпускается из положения торможения или слишком медленно возвращается в исходное положение.	<ul style="list-style-type: none"> ■ Пространство под педалью стояночного тормоза забито мусором. 	<ul style="list-style-type: none"> ■ Проверьте и удалите мусор.
Трактор нельзя зарядить через зарядный порт, когда индикатор состояния трактора постоянно светится красным.	<ul style="list-style-type: none"> ■ Штекер зарядного устройства неправильно вставлен в порт зарядки трактора. 	<ul style="list-style-type: none"> ■ Снова подсоедините штекер зарядного устройства и проверьте, может ли трактор нормально заряжаться.
	<ul style="list-style-type: none"> ■ В розетке электросети нет питания. 	<ul style="list-style-type: none"> ■ Никаких действий не требуется. Подождите, пока питание не восстановится.
	<ul style="list-style-type: none"> ■ Неисправность зарядного устройства. 	<ul style="list-style-type: none"> ■ Обратитесь в сервисный центр EGO, чтобы квалифицированный специалист проверил и при необходимости отремонтировал зарядное устройство.
	<ul style="list-style-type: none"> ■ Зарядный порт трактора неисправен. 	<ul style="list-style-type: none"> ■ Обратитесь в сервисный центр EGO для ремонта.
Слишком большое время зарядки трактора через зарядный порт.	<ul style="list-style-type: none"> ■ Зарядка с помощью адаптера EGO ACA1000 требует длительного времени. 	<ul style="list-style-type: none"> ■ Используйте зарядное устройство EGO CHV1600E для непосредственной зарядки электрического садового трактора.

ПРОБЛЕМА	ПРИЧИНА	РЕШЕНИЕ
Не удается полностью зарядить аккумуляторы через зарядный порт трактора.	<ul style="list-style-type: none"> Ошибка прошивки трактора либо неисправность аккумулятора или зарядного устройства. 	<ul style="list-style-type: none"> Выполните сброс зарядного устройства. Для этого отключите его от электропитания и подождите несколько минут. Затем снова подключите к источнику питания. Если это не решит проблему, обратитесь в сервисный центр EGO.
Трактор не запускается после очистки.	<ul style="list-style-type: none"> Неправильная очистка, например попадание воды на электрические компоненты, ЖК-дисплей и т. д. 	<ol style="list-style-type: none"> Для правильной очистки трактора следуйте инструкциям в разделе ОБЩЕЕ ОБСЛУЖИВАНИЕ. Если трактор случайно попал под дождь, дайте ему высохнуть или используйте сжатый воздух для сушки.
Платформа быстро засоряется.	<ul style="list-style-type: none"> Платформа не была должным образом очищена после предыдущего использования. 	<ul style="list-style-type: none"> Очищайте платформу трактора после каждого использования в соответствии с инструкциями в разделе Использование промывочного порта для очистки платформы.
Трактор быстро теряет тягу при подъеме по склону.	<ul style="list-style-type: none"> Шины задних колес изношены. 	<ul style="list-style-type: none"> Обратитесь в местный сервис для замены шин.
	<ul style="list-style-type: none"> Слишком крутой склон. 	<ul style="list-style-type: none"> Трактор нельзя использовать для скашивания на склонах круче определенного количества градусов.
Если трактор остановлен на склоне с нажатой педалью стояночного тормоза, он может соскользнуть со склона.	<ul style="list-style-type: none"> Компоненты тормоза чрезмерно изношены из-за неправильной эксплуатации трактора. 	<ul style="list-style-type: none"> Обратитесь в сервисный центр EGO для ремонта.
При мытье платформы вода из промывочного порта не поступает.	<ul style="list-style-type: none"> Быстроразъемная муфта промывочного порта установлена неправильно. 	<ul style="list-style-type: none"> Подсоедините быстроразъемное соединение промывочного порта, сильно прижав его до четкого щелчка. Если это не помогло, обратитесь в сервисный центр EGO.
При ручном толкании трактора без запуска слышен ненормальный звук.	<ul style="list-style-type: none"> Звук исходит от магнитов внутри двигателя. 	<ul style="list-style-type: none"> Никаких действий не требуется, это нормально.
Рулевое колесо не вращается.	<ul style="list-style-type: none"> Узел рулевого колеса забит мусором. 	<ul style="list-style-type: none"> Проверьте и удалите мусор.
Трактор не поворачивается влево/вправо при вращении рулевого колеса.	<ul style="list-style-type: none"> Выход из строя электронных или механических компонентов. 	<ul style="list-style-type: none"> Обратитесь в сервисный центр EGO для ремонта.
Трактор не останавливается при отпуске педали акселератора.	<ul style="list-style-type: none"> Возвратный путь педали акселератора забит мусором. 	<ul style="list-style-type: none"> Проверьте и удалите мусор.
	<ul style="list-style-type: none"> Кнопка CCS была случайно нажата во время движения. Трактор находится в режиме круиз-контроля 	<ul style="list-style-type: none"> Проверьте, светится ли значок CCS на ЖК-дисплее, и при необходимости выйдите из режима CCS. См. раздел ИСПОЛЬЗОВАНИЕ КРУИЗ-КОНТРОЛЯ (CCS).
Не удается активировать или отключить режим CCS.	<ul style="list-style-type: none"> Кнопка CCS не нажата должным образом. 	<ul style="list-style-type: none"> Нажимайте кнопку CCS до тех пор, пока значок CCS не начнет светиться на ЖК-дисплее или не погаснет на ЖК-дисплее.
Передние колеса трактора вращаются с ненормальным шумом.	<ul style="list-style-type: none"> Втулки передних колес требуют смазки. 	<ul style="list-style-type: none"> Снимите аккумуляторы и заполните отверстия для впрыска смазкой до тех пор, пока смазка не перельется через верхний или нижний край втулок передних колес.

ИНФОРМАЦИЯ О СОСТОЯНИИ ТРАКТОРА

ЖК-дисплей	Описание	Индикатор состояния трактора	Звуковой сигнал	Причина	Решение
	Символ уровня заряда	ВЫКЛ	Нет	Показывает среднюю емкость заряда установленных аккумуляторов.	Это нормально. Никаких действий не требуется.
	Символ счетчика моточасов	ВЫКЛ	Нет	Показывает общее время работы трактора в часах и не может быть сброшен.	Это нормально. Никаких действий не требуется.
	Символ индикатора загрузки	ВЫКЛ	Нет	Показывает текущую нагрузку на трактор.	Это нормально. Никаких действий не требуется.
	На ЖК-дисплее светится символ светодиодных фар.	ВЫКЛ	Нет	Фары включаются с помощью выключателя.	Это нормально. Никаких действий не требуется.
	На ЖК-дисплее светится символ Bluetooth.	ВЫКЛ	Нет	Трактор подключен к мобильному устройству по Bluetooth.	Это нормально. Никаких действий не требуется.
	На ЖК-дисплее светится символ ОТКЛЮЧЕНИЯ СКАШИВАНИЯ ЗАДНИМ ХОДОМ.	ВЫКЛ	Нет	Это означает, что режущие элементы невозможно включить, когда трактор движется задним ходом.	Это нормально. Если необходимо включить режущие элементы при движении трактора задним ходом, см. раздел ВКЛЮЧЕНИЕ РЕЖУЩИХ ЭЛЕМЕНТОВ ПРИ ДВИЖЕНИИ ЗАДНИМ ХОДОМ в данном руководстве.
	На ЖК-дисплее светится символ движения вперед.	ВЫКЛ	Нет	Это указывает на то, что трактор может двигаться или движется вперед.	Это нормально. В зависимости от ситуации установите рычаг управления направлением движения в положение «D», нейтральное или «R».
	На ЖК-дисплее светится символ заднего хода.	ВЫКЛ	Нет	Это указывает на то, что трактор может двигаться или движется задним ходом.	
	Символ движения вперед и символ заднего хода мигают попеременно.	ВЫКЛ	Нет	Это означает, что трактор не может двигаться.	
	Светится символ ключа безопасности.	ВЫКЛ	Нет	Ключ безопасности вставлен правильно.	Это нормально. Никаких действий не требуется.
	Символ ключа безопасности мигает, когда на ЖК-дисплее отображается указатель уровня заряда.	ВЫКЛ	Нет	Ключ безопасности не установлен.	Чтобы включить трактор, вставьте ключ безопасности, затем полностью нажмите педаль стояночного тормоза и одновременно нажмите кнопку запуска/остановки и удерживайте ее более 3 секунд.
				Блок панели управления ключами в сборе поврежден.	Обратитесь в сервисный центр EGO для ремонта.

RU

ЖК-дисплей	Описание	Индикатор состояния трактора	Звуковой сигнал	Причина	Решение
	Символ стояночного тормоза мигает, когда на ЖК-дисплее отображается указатель уровня заряда.	ВЫКЛ	Нет	Педаля стояночного тормоза не нажата.	Чтобы включить трактор, вставьте ключ безопасности, нажмите педаль стояночного тормоза и одновременно нажмите кнопку запуска/остановки и удерживайте ее более 3 секунд.
	Значок стояночного тормоза мигает, когда на ЖК-экране отображается интерфейс оператора.	ВЫКЛ	Нет	Прежде чем нажать педаль стояночного тормоза, нажмите педаль акселератора, чтобы индикатор трактора светился зеленым.	Запустите трактор правильно в соответствии с инструкциями в разделе ЗАПУСК ТРАКТОРА .
	Светится символ стояночного тормоза.	ВЫКЛ	Нет	Педаля стояночного тормоза установлена в положение торможения.	Отпустите педаль перед запуском трактора.
	Светится символ датчика сиденья.	ВЫКЛ	Нет	Оператор покидает сиденье или отключается система защитной блокировки сиденья.	Если символ светится при сидящем на сиденье операторе, немедленно прекратите использование трактора и проверьте соединение сиденья. Если сиденье правильно подключено к трактору, обратитесь к квалифицированному специалисту для ремонта.
	Мигает символ переключателя отбора мощности.	ВЫКЛ	Нет	Двигатель режущих элементов был остановлен во время работы, а переключатель отбора мощности не был установлен в выключенное положение.	Перед повторным запуском трактора переместите переключатель отбора мощности вниз, чтобы отключить двигатели режущих элементов. Для получения дополнительной информации см. раздел УСТРАНЕНИЕ НЕПОЛАДОВ данного руководства.
	Символ определенного аккумуляторного отсека мигает.	ВЫКЛ	Нет	Определенный аккумулятор во время разрядки имеет перегрузку по току.	Никаких действий не требуется. Трактор может продолжить работу, если суммарная емкость используемых аккумуляторов, исключая аккумулятор с перегрузкой, равна или превышает 15 Ач. Как только аккумулятор с перегрузкой вернется в нормальное состояние, он сразу же будет использован для питания трактора.
	Символ пустого аккумуляторного отсека мигает.	ВЫКЛ	Нет	Емкости аккумулятора недостаточно для работы трактора.	Чтобы запустить трактор, используйте достаточное количество аккумуляторов EGO в соответствии с инструкциями в разделе УСТАНОВКА И ИЗВЛЕЧЕНИЕ АККУМУЛЯТОРА настоящего руководства.

ЖК-дисплей	Описание	Индикатор состояния трактора	Звуковой сигнал	Причина	Решение
	Одновременно мигают символы температуры и конкретного занятого аккумуляторного отсека.	ВЫКЛ	Нет	Аккумулятор в соответствующем аккумуляторном отсеке перегрелся.	<ol style="list-style-type: none"> Трактор может продолжить работу, если суммарная емкость используемых аккумуляторов, исключая перегретый, соответствует требованиям. Как только перегретый аккумулятор остынет до нормальной температуры, он сразу же будет использован для питания трактора. Если суммарная емкость используемых аккумуляторов меньше требуемой, трактор не будет работать до тех пор, пока в свободные аккумуляторные отсеки не будут установлены дополнительные аккумуляторы. При возобновлении работы уменьшите нагрузку на трактор, увеличив высоту скашивания платформы или замедлив скорость хода.
	Символ температуры мигает.	ВЫКЛ	Один звуковой сигнал	Трактор перегрелся.	Уменьшите нагрузку на трактор, увеличив высоту скашивания платформы или замедлив скорость режущих элементов / хода. Сделайте перерыв и дайте трактору остыть.
	Мигает символ оповещения.	Мигает красным	Один звуковой сигнал	<p>Двигатель режущих элементов перегружен.</p> <p>Боковой разгрузочный желоб забит травой и мусором.</p> <p>Препятствие между режущим элементом и платформой.</p>	<p>Увеличьте высоту скашивания платформы или уменьшите скорость хода, чтобы снизить нагрузку на трактор.</p> <p>Очищайте боковой разгрузочный желоб после каждого использования.</p> <p>Обратитесь в сервисный центр EGO.</p>

RU

ЖК-дисплей	Описание	Индикатор состояния трактора	Звуковой сигнал	Причина	Решение
	На ЖК-дисплее каждую 1 секунду одновременно мигают символы каждого занятого аккумуляторного отсека и символ оповещения.	Мигает красным	Продолжает издавать звуковой сигнал, пока переключатель отбора мощности не будет перемещен вниз.	Аккумуляторы разряжены, трактор находится в аварийном режиме.	Прекратите работу и вернитесь к месту зарядки аккумулятора. ПРИМЕЧАНИЕ. Когда трактор находится в аварийном режиме, режущие элементы автоматически переключаются на низкую скорость вращения, а звуковой сигнал звучит непрерывно. Нажмите переключатель отбора мощности вниз, чтобы отключить режущие элементы. Звуковой сигнал перестанет звучать, когда режущие элементы остановятся.
	Символ каждого занятого аккумуляторного отсека и символ оповещения мигают каждые полсекунды.	Мигает красным	Продолжает издавать звуковой сигнал.	Двигатель режущих элементов был остановлен во время работы, а переключатель отбора мощности не был установлен в выключенное положение.	Трактор немедленно прекратит работу. Оператор должен транспортировать трактор к месту зарядки аккумулятора.
	На ЖК-дисплее светится символ CCS.	Светится зеленым	Нет	Трактор продолжает двигаться вперед с заданной скоростью без необходимости нажимать на педаль акселератора.	Это нормально. При необходимости отключите функцию CCS в соответствии с инструкциями в разделе Остановка (выключение) круиз-контроля (CCS) .
	На ЖК-дисплее мигает символ CCS.	ВЫКЛ	Нет	Функция CCS (система круиз-контроля) вышла из строя. Нажата педаль стояночного тормоза, чтобы остановить трактор.	Функция CCS не может быть включена, когда трактор движется на очень низкой скорости или движется задним ходом. После того, как педаль стояночного тормоза будет отпущена, нажмите кнопку CCS, и на ЖК-дисплее будет светиться символ CCS. Чтобы выйти из режима CCS, следуйте инструкциям в разделе Остановка (выключение) круиз-контроля (CCS) .
	На ЖК-дисплее не светится значок травосборника.	–	Нет	Это означает, что травосборник не установлен на тракторе или установлен неправильно.	Правильно установите травосборник на трактор.
	На ЖК-экране мигает символ полного травосборника.	–	Нет	Это означает, что травосборник заполнен.	Опорожните травосборник и снова установите на место.
–	–	ВЫКЛ	Продолжает издавать звуковой сигнал.	Трактор припаркован на склоне, и оператор покидает трактор, не установив педаль стояночного тормоза в положение торможения.	Установите педаль стояночного тормоза в положение торможения. Символ стояночного тормоза будет светиться, а звуковой сигнал прекратится.

ЖК-дисплей	Описание	Индикатор состояния трактора	Звуковой сигнал	Причина	Решение
ВЫКЛ	Неисправность зарядного порта	Светится КРАСНЫМ	–	Нет питания.	Проверьте, исправна ли розетка и подается ли в нее напряжение 220–240 В.
		Светится КРАСНЫМ	–	Электронная неисправность, например обрыв цепи зарядного порта, перегорание предохранителя и т. д.	Обратитесь в сервисный центр EGO для ремонта.

КОДЫ НЕИСПРАВНОСТИ

Описание	Код неисправности на ЖК-дисплее	Звуковой сигнал	Решение
Левый двигатель режущих элементов не вращается.	509	Один звуковой сигнал	Сначала осмотрите режущий элемент. Если он ослаблен, затяните болт с рекомендуемым моментом затяжки. В противном случае обратитесь в сервисный центр EGO для ремонта.
Правый двигатель режущих элементов не вращается.	609	Один звуковой сигнал	

RU

ПРИМЕЧАНИЕ. При появлении на ЖК-дисплее любых других кодов неисправностей, которые могут указывать на неисправность блока печатных плат, ослабление соединения, выход из строя приводного двигателя, двигателей режущих элементов и т. д., извлеките все аккумуляторы и снова вставьте их через несколько минут, чтобы перезапустить трактор. Если это не помогло решить проблему, запишите код неисправности и обратитесь в сервисный центр EGO для ремонта.

ГАРАНТИЯ

ГАРАНТИЙНАЯ ПОЛИТИКА EGO

Посетите веб-сайт egopowerplus.eu, чтобы ознакомиться со всеми условиями и сроками гарантийной политики EGO.

PRZECZYTAJ WSZYSTKIE INSTRUKCJE!



PRZECZYTAJ INSTRUKCJĘ OPERATORA

SYMBOL BEZPIECZEŃSTWA

Celem symboli bezpieczeństwa jest zwrócenie uwagi użytkownika na możliwe zagrożenia. Symbole bezpieczeństwa i objaśnienia do nich zasługują na to, aby je uważnie przestudiować i zrozumieć. Symbole bezpieczeństwa nie eliminują same z siebie jakichkolwiek zagrożeń. Podane w nich instrukcje i ostrzeżenia nie zastępują odpowiednich środków zapobiegania wypadkom.

▲ OSTRZEŻENIE: Przed użyciem narzędzia należy koniecznie przeczytać ze zrozumieniem wszystkie instrukcje dotyczące bezpieczeństwa podane w podręczniku użytkownika, łącznie z wszystkimi symbolami ostrzegawczymi takimi jak „**NIEBEZPIECZEŃSTWO**”, „**OSTRZEŻENIE**” i „**OSTROŻNIE**”. Niestosowanie się do wszystkich podanych niżej instrukcji może doprowadzić do porażenia prądem, pożaru i/lub poważnych urazów ciała.

ZNACZENIE SYMBOLI

Na tej stronie pokazano i opisano symbole bezpieczeństwa, które mogą występować na produkcie. Przed podjęciem próby złożenia i użycia maszyny należy przeczytać i zrozumieć wszystkie instrukcje dotyczące maszyny oraz zastosować się do nich.

SYMBOLE BEZPIECZEŃSTWA

PL

	Ostrzeżenie dotyczące bezpieczeństwa		Przeczytaj ze zrozumieniem instrukcję użytkownika
	Okulary ochronne		Konserwacja urządzeń ochronnych
	NIEBEZPIECZEŃSTWO – Niebezpieczne strome zbocze		ZAGROŻENIE – Osoby postronne należy trzymać z daleka od ostrzy
	Nigdy nie woź dzieci		Patrz do tyłu w trakcie cofania
	OSTRZEŻENIE – Nie używaj maszyny na pochyłościach nachylonych pod kątem większym niż 12°		NIEBEZPIECZEŃSTWO – Przedmioty wyrzucane w powietrze
	OSTRZEŻENIE – RĘCE I STOPY NALEŻY TRZYMAĆ Z DALEKA		Gwarantowany poziom mocy akustycznej. Zgodnie z dyrektywą Wspólnoty Europejskiej.
	Nie stawać		Zużytych wyrobów elektrycznych nie należy wyrzucać razem ze zwykłymi odpadami domowymi. Należy je oddać do autoryzowanego punktu recyklingu.
	Ten produkt jest zgodny z obowiązującymi dyrektywami WE		OSTROŻNIE – Nie należy wpatrywać się we włączoną lampę.



Prąd stały

kPa

Kilopaskal

V

Wolt

in

Cal

Nm

Niutonometr

°C

Celsjusz

km/h

Kilometry na godzinę



Produkt jest zgodny z dyrektywami obowiązującymi w Wielkiej Brytanii.

obr./min

Obroty na minutę

m

Metry

cm

Centymetry

mm

Milimetry

kg

Kilogram

IPX4

Stopień ochrony przed penetracją

SYMBOLE W NINIEJSZEJ INSTRUKCJI



Informacje, które należy zapamiętać



Wskazana czynność zostaje zatrzymana

SPECYFIKACJA

PL

Napięcie	56 V	
Rozmiar pomostu	98 cm	
Rozmiar koła	Przód	15 x 6 - 6 cali
	Tył	18 x 7,5 - 8 cali
Ciśnienie zimnej opony	Przód	96,5 kPa
	Tył	170 kPa
Prędkość ostrza (obr./min)	Do 3000	
Maksymalna prędkość jazdy	Do przodu	Do 9,6 km/h
	Do tyłu	do 4,8 km/h
Regulacja wysokości koszenia (12 pozycji)	25 – 100 mm	
Zakres temperatur ładowania	5°C – 40°C	
Temperatura pracy	0°C – 40°C	
Temperatura przechowywania	-20°C – 70°C	
Ciężar (bez akumulatora)	220 kg	
Zmierzony poziom mocy akustycznej L_{WA}	97,7 dB(A) K=1,75 dB(A)	
Poziom ciśnienia akustycznego przy uchu operatora L_{PA}	83,6 dB(A) K=3 dB(A)	
Gwarantowany poziom mocy akustycznej L_{WA} (zmierzony zgodnie z dyrektywą 2000/14/WE)	100 dB(A)	
Drgania a_h	Ręka	0,24 m/s ² K=1,5 m/s ²
	Ciało	0,18 m/s ² K=1,5 m/s ²

- Deklarowana całkowita wartość drgań została zmierzona zgodnie ze standardowymi metodami testowania i może służyć do porównywania różnych narzędzi.
- Deklarowana całkowita wartość drgań może również służyć do wstępnej oceny narażenia na drgań.

UWAGA: Emisja drgań podczas rzeczywistego stosowania elektronarzędzia może się różnić od deklarowanej wartości, w której narzędzie jest używane. Aby się zabezpieczyć, w rzeczywistych warunkach użytkowania użytkownik powinien nosić rękawice i nauszniki ochronne.

ZALECANE AKCESORIA

▲ OSTRZEŻENIE: Należy używać wyłącznie akcesoriów wymienionych poniżej. Stosowanie akcesoriów, które nie spełniają oryginalnej specyfikacji urządzenia może spowodować niewłaściwe działanie i narazić użytkownika na niebezpieczeństwo.

NAZWA CZĘŚCI	NUMER MODELU
Zestaw ostrzy zbierających	AB3801TD
Wtyczka do mulczowania	AMP3800T

OPIS

ZAPOZNANIE SIĘ Z TRAKTORKIEM (Rys. A1)

1. Fotel
2. Uchwyty na kubki
3. Koło tylne (koło napędowe) (x2)
4. Port do mycia (x2)
5. Pomost
6. Koło zapobiegające zdzieraniu darni (anti-scalp) (x2)
7. Koło przednie (x2)

8. Zderzak przedni
9. Pedał hamulca postojowego
10. Reflektor LED (x2)
11. Jednostka zasilająca
12. Schowek
13. Dźwignia blokady hamulca postojowego
14. Kierownica
15. Dźwignia regulacji położenia fotela
16. Pojemnik na trawę
17. Port ładowania
18. Port USB
19. Schowek-kosz
20. Pedał gazu
21. Dźwignia regulacji wysokości pomostu
22. Dźwignia przechyłu
23. Uchwyt
24. Wskaźnik stanu traktorka
25. Przycisk regulacji prędkości ostrza
26. Przycisk KOSZENIE DO TYŁU
27. Przycisk start/stop
28. Dźwignia sterowania kierunkiem
29. Kluczyk zabezpieczający
30. Przełącznik WOM
31. Przycisk CCS
32. Przycisk świateł LED/Przycisk Bluetooth
33. Przycisk regulacji prędkości jazdy
34. Przycisk odblokowujący pokrywę jednostki zasilającej
35. Pokrywa jednostki zasilającej
36. Jednostka zasilająca z sześcioma komorami akumulatora
37. Przycisk odblokowujący akumulator

ZAPOZNANIE SIĘ Z EKRANEM LCD (Rys. A2)

Aby uzyskać więcej informacji o ikonach i wskaźnikach na wyświetlaczu LCD, należy zapoznać się z częścią „SYGNALIZACJA STANU TRAKTORKA” oraz „KODY BŁĘDÓW”.

1. Ikona CCS
2. Wskaźnik stanu urządzenia zabezpieczającego
3. Ikona KOSZENIA DO TYŁU WYŁĄCZONE
4. Ikona napędu
5. Ikona biegu wstecznego
6. Ikona kluczyka zabezpieczającego
7. Ikona świateł LED
8. Ikona Bluetooth
9. Wskaźnik prędkości ostrza
10. Licznik godzinowy
11. Wskaźnik paliwa
12. Ikona temperatury
13. Ikona alarmu (przeciążenie/niska moc)

14. Ikona pustej komory akumulatora
15. Ikona zajętej komory akumulatora
16. Wskaźnik kodu błędu
17. Wskaźnik obciążenia
18. Wskaźnik prędkości jazdy
19. Ikona pełnego pojemnika
20. Ikona braku pojemnika

ROZPAKOWANIE

UWAGA: Przed dokładnym skontrolowaniem i poprawnym użyciem urządzenia nie należy wyrzucać opakowania. W przypadku awarii jakiegokolwiek części z listy elementów w opakowaniu zainstalowanej w urządzeniu należy skontaktować się z punktem serwisowym EGO.

UWAGA: Za wyjątkiem narzędzi z poniższej listy elementów w opakowaniu wszystkie pozostałe narzędzia wymienione w instrukcji są zalecane, ale nie stanowią części zestawu.

LISTA ELEMENTÓW W OPAKOWANIU (Rys. B)

B-1	Elektryczny traktorek ogrodowy	B-2	Fotel
B-3	Kierownica	B-4	Oslona przeciwpyłowa
B-5	Klucze płasko-oczkowe	B-6	Klucz nasadowy 18 mm
B-7	Śruby zamkowe (1 zapasowa)	B-8	Nakrętki M8 (1 zapasowa)
B-9	Nakrętki M12 (1 zapasowa)	B-10	Podkładki (1 zapasowa)
B-11	Kluczyk zabezpieczający	B-12	Szybkozłącze portu do mycia
B-13	Instrukcja obsługi	B-14	Pojemnik na trawę (z dwoma zestawami śrub i nakrętek do wsporników bocznych)
B-15	Wspornik w kształcie litery U	B-16	Wspornik boczny
B-17	Dźwignia przechyłu	B-18	Lewy i prawy wspornik pojemnika
B-19	Poprzeczka	B-20	Śruba M8X40
B-21	Śruba M8X25	B-22	Nakrętka M8

PL

MONTAŻ

MONTAŻ KIEROWNICY (Rys. C1)

C1-1	Kolumna kierownicy	C1-2	Kierownica
C1-3	Linia środkowa	C1-4	Podkładka
C1-5	Nakrętka	C1-6	Klucz nasadowy 18 mm
C1-7	Oslona przeciwpyłowa		

MONTAŻ FOTEŁA (Rys. C2)

▲ OSTRZEŻENIE: System blokady zabezpieczającej nie może być odłączony ani pominięty. W przeciwnym razie traktorek nie będzie działał poprawnie i może doprowadzić do urazów użytkownika.

C2-1	Fotel	C2-2	Nakrętka (M8)
C2-3	Śruba zamkowa	C2-4	Gniazdo
C2-5	Wtyczka		

MONTAŻ POJEMNIKA NA TRAWĘ (Rys. C3-C8)

C3-1	Wspornik w kształcie litery U	C3-2	Pojemnik
C3-2	4 zestawy śrub i nakrętek (M8 X 40)	C3-4	Klucz płasko-oczkowy
C4-1	Wsporniki boczne	C4-2	4 zestawy śrub i nakrętek (M8 X 40)
C4-3	Klucz płasko-oczkowy	C5-1	Dźwignia przechyłu
C5-2	1 zestaw śruby i nakrętką (M8 X 40)	C5-3	Klucz płasko-oczkowy
C6-1	Wsporniki pojemnika	C6-2	4 zestawy śrub i nakrętek (M8 X 25)
C6-3	Klucze płasko-oczkowe	C7-1	Poprzeczka
C7-2	2 nakrętki (M8)	C7-3	Klucz płasko-oczkowy

PL

REGULACJA

PRZED REGULACJĄ (Rys. D1)

REGULACJA WYSOKOŚCI POMOSTU DO KOSZENIA (Rys. D2)

REGULACJA KÓŁ ZAPOBIEGAJĄCYCH ZDZIERANIU DARNI (Rys. D3 – D6)

D3-1	Koła zapobiegające zdzieraniu darni (anti-scalp)	D5-1	Nakrętka
D5-2	Śruba mocująca	D6-1	Etykieta wysokości pomostu

REGULACJA FOTEŁA (Rys. D7)

D7-1	Dźwignia regulacji położenia fotela
------	-------------------------------------

UŻYTKOWANIE

PRZED ROZPOCZĘCIEM PRACY (Rys. E1)

USTAWIANIE HAMULCA POSTOJOWEGO (Rys. E2)

E2-1	Pozycja hamulca postojowego	E2-2	Pozycja spuszczenia hamulca
------	-----------------------------	------	-----------------------------

▲ OSTRZEŻENIE! PEDAŁ HAMULCA POSTOJOWEGO NIE JEST W STANIE ZMNIEJSZYĆ PRĘDKOŚCI JAZDY. NIGDY NIE NALEŻY PRÓBOWAĆ WCISKAĆ PEDAŁU HAMULCA POSTOJOWEGO W CELU ZMNIEJSZENIA PRĘDKOŚCI JAZDY PODCZAS JAZDY. GDY PEDAŁ HAMULCA POSTOJOWEGO JEST WCIŚNIĘTY, ALE NIE JEST ZACIĄGNIĘTY W POŁOŻENIU HAMULCA POSTOJOWEGO, HAMULEC ELEKTRYCZNY JUŻ NIE DZIAŁA I NA PŁASKIEJ POWIERZCHNI TRAKTOREK PRZESTANIE KOSIĆ. JEDNAK JEŚLI ZDARZY SIĘ TO NA ZBOCZU, PO ZWOLNIENIU PEDAŁU HAMULCA POSTOJOWEGO TRAKTOREK MOŻE SIĘ ZSUWAĆ ZE ZBOCZA.

▲ OSTRZEŻENIE: W RAZIE WYSTĄPIENIA SYTUACJI AWARYJNEJ, ABY ZACIĄGNĄĆ HAMULEC, NALEŻY POCIĄGNĄĆ DŹWIGNIĘ BLOKADY HAMULCA POSTOJOWEGO DO GÓRY I NATYCHMIAST WCISNĄĆ PEDAŁ HAMULCA POSTOJOWEGO; TRAKTOREK ZATRZYMA SIĘ NATYCHMIAST I NIE ZSUNIE SIĘ ZE ZBOCZA.

WKŁADANIE/WYJMOWANIE AKUMULATORA (Rys. E3 – E6)

Do uruchomienia traktorka potrzebne są akumulatory EGO o łącznej pojemności 15 Ah (2 X BA4200/BA4200T) lub większej. Aby uzyskać najlepsze wyniki, zalecamy używanie akumulatorów EGO o łącznej pojemności 30 Ah lub więcej.

E3-1	Przycisk odblokowujący pokrywę	E5-1	Przycisk odblokowujący akumulator
------	--------------------------------	------	-----------------------------------

ŁADOWANIE TRAKTORKA

Do urządzenia należy używać wyłącznie zalecanych ładowarek i akumulatorów.

- Akumulator(y) należy ładować oddzielnie (Rys. E7)

UWAGA: Szczegółowe zalecenia podane są w odpowiednich instrukcjach obsługi akumulatora i ładowarki.

- Akumulator(y) należy ładować przez port ładowania (Rys. E8 – E10)

E10-1	Oslona przeciwpylowa	E10-2	Port ładowania
-------	----------------------	-------	----------------

TESTOWANIE SYSTEMU BLOKADY ZABEZPIECZAJĄCEJ

- Test systemu pomostu z ostrzami (Rys. E11 – E12)
- Test układu napędowego (Rys. E13 – E14)

Jeśli system pomostu z ostrzami i/lub układ napędowy nie zatrzymują się, gdy operator podnosi się z fotela i jeśli nie znaleziono przyczyny po upewnieniu się, że wtyczka i gniazdko są ze sobą poprawnie połączone, należy natychmiast skontaktować się z punktem serwisowym EGO.

TECHNOLOGIA ŁĄCZNOŚCI

Aby uzyskać informacje na temat pełnej oferty naszych produktów i usług łączących się bezprzewodowo, w tym instrukcje dotyczące podłączania, wystarczy zeskanować poniższy kod QR lub odwiedzić stronę www.egopowerplus.eu/connect.



LISTA KONTROLNA PRZED ROZPOCZĘCIEM PRACY

- Upewnić się, że w miejscu pracy nie ma dzieci, osób postronnych i zwierząt.
- Usunąć z miejsca pracy przedmioty, które mogłyby zostać wyrzucone w powietrze przez ostrza traktorka.
- Oczyszczyć traktorek z zanieczyszczeń.
- Sprawdzić, czy nie ma luźnych elementów mocujących.
- Sprawdzić, czy wszystkie osłony są na miejscu i działają prawidłowo.
- Sprawdzić wzrokowo, czy opony są napompowane.
- Sprawdzić działanie hamulców.
- Wyregulować wysokość pomostu na żadaną pozycję koszenia optymalną dla koszonego trawnika i odpowiednio wyregulować kółka zapobiegające zdzieraniu darni.
- Wyregulować położenie fotela i upewnić się, że użytkownik dosięga obu pedałów.
- Sprawdzić poziom naładowania akumulatora.
- Sprawdzić system blokady zabezpieczającej.
- Upewnij się, że pojemnik na trawę jest prawidłowo zainstalowany.

URUCHAMIANIE TRAKTORKA (Rys. E15 – Rys. E16)

⚠ OSTRZEŻENIE: Należy unikać gwałtownego uruchamiania lub zatrzymywania, gwałtownych skrętów, oraz nadmiernej prędkości, zwłaszcza, gdy traktorek jest używany po raz pierwszy. Traktorek może się szybko obracać, co może doprowadzić do utraty kontroli przez operatora i spowodować poważne urazy i/lub uszkodzenia.

⚠ OSTRZEŻENIE: Przed włączeniem traktorka należy sprawdzić, czy ostrza zostają odłączone w ciągu 5 sekund od przesunięcia przełącznika WOM w dół. Jeśli ostrza się nie zatrzymują, traktorka nie wolno używać; należy się wtedy natychmiast skontaktować z punktem serwisowym EGO.

UWAGA:

- Jeśli pedał hamulca postojowego jest ustawiony w pozycji hamulca postojowego, wystarczy nacisnąć i przez 3 sekundy przytrzymać przycisk start/stop, aby podświetlić ekran LCD, a następnie zwolnić pedał hamulca postojowego przed rozpoczęciem jazdy traktorkiem.

- Ostrza tnące można włączyć w dowolnym momencie, gdy ekran LCD jest w pełni podświetlony, a dźwignia sterowania kierunkiem nie jest odciągnięta do tyłu w kierunku „R”. Aby włączyć ostrza podczas jazdy traktorkiem do tyłu, należy zapoznać się z rozdziałem „**WŁĄCZANIE OSTRZY PODCZAS JAZDY DO TYŁU**” w niniejszej instrukcji.

UWAGA: Do czasu aż użytkownik będzie w stanie w pełni obsługiwać ciągnik we wszystkich sytuacjach należy jeździć z najniższą prędkością jazdy, patrz Rys. E17.

Elektryczna kosiarka-traktorek nie zapamiętuje ustawień prędkości jazdy i prędkości ostrza. Po każdym wyłączeniu traktorka prędkość jazdy i prędkość ostrza wracają do poziomu 2.

Regulacja prędkości jazdy (Rys. E17)

Regulacja prędkości ostrza (Rys. E18)

UWAGA: Po przejściu na „poziom 3” ponowne wciśnięcie przycisku regulacji prędkości ostrza powoduje, że prędkość ostrza powróci do poprzedniej wartości.

Światła LED (Rys. E19)

- Reflektory LED można włączać i wyłączać przełącznikiem świateł LED.

Port USB

UWAGA: Port USB umożliwia ładowanie prądem 5 V DC i dopuszcza pobór prądu do 1,5 A. Port jest zasilany tylko wtedy, gdy traktorek jest włączony.

ZATRZYMYWANIE TRAKTORKA (Rys. E20)

⚠ OSTRZEŻENIE! Gdy traktorek zatrzymuje się na zboczu, należy zawsze ustawić pedał hamulca postojowego w położeniu hamulca postojowego; inaczej traktorek może się zsunąć ze zbocza, co może doprowadzić do jego poważnego uszkodzenia lub spowodować obrażenia ciała!

UWAGA: W sytuacji, gdy pedał hamulca postojowego jest ustawiony w położeniu hamulca postojowego, operator nie siedzi na fotelu, ale akumulatory nie zostały wyjęte:

- Jeśli ekran LCD jest wyłączony, wskaźniki akumulatora, przycisk start/stop i przycisk CCS pozostaną podświetlone przez 1 godzinę.
- Jeśli na ekranie LCD wyświetlany jest „wskaźnik paliwa” lub interfejs operatora, traktorek wyłączy się automatycznie po 1 godzinie.

Tryb awaryjny

Gdy poziom naładowania akumulatora jest krytycznie niski, traktorek przechodzi w tryb awaryjny, który ma na celu zapewnić wystarczającą ilość energii na dojechanie z powrotem do miejsca ładowania.

- Ostrza przełączają się na niską prędkość obrotową, która umożliwia koszenie tylko niewielkiej ilości trawy. Po napotkaniu wysokiej i gęstej trawy ostrza przestaną się obracać. Wskaźnik audio będzie emitował sygnał przerywany (bip).
- Wskaźnik stanu traktorka będzie co sekundę migał na czerwono, a ikona alarmu (niskiej mocy) i ikona każdej zajętej komory akumulatora będą migać.

Użytkownik powinien:

- Przesławić przełącznik WOM w dół, aby wyłączyć silniki ostrzy. Po zatrzymaniu silników ostrzy wskaźnik dźwiękowy przestanie emitować sygnał dźwiękowy.
- Przerwać pracę i jak najszybciej dojechać do miejsca ładowania. Maksymalna odległość, jaką traktor jest w stanie przejechać wynosi 1000 m.

Gdy akumulator jest bliski rozładowania, zarówno ikona alarmu (niskiego poziomu zasilania) jak i ikona każdej zajętej komory akumulatora będą migać co pół sekundy. Traktor natychmiast przestanie pracować. Operator będzie musiał przetransportować traktor w miejsce ładowania, aby go naładować.

UWAGA: Jeśli traktor trzeba będzie ręcznie popchnąć, należy się upewnić, że akumulatory są odłączone od instalacji traktora i że pedał hamulca postojowego jest spuszczonej z pozycji postojowej.

PROWADZENIE TRAKTORA (Rys. E21)

▲ NIEBEZPIECZEŃSTWO: Wymagana odległość od nasypów, kanałów lub zbiorników wodnych, którą należy utrzymywać wynosi co najmniej dwie szerokości koszenia. Gdy traktor się zatrzyma, jego przednie koła mogą się kręcić nawet przy zaciągniętym hamulcu. Może to doprowadzić do zsunięcia się traktora poza krawędź lub do wody oraz spowodować śmierć lub poważne urazy osób.

▲ OSTRZEŻENIE! Traktor nie należy używać na drogach publicznych.

▲ OSTRZEŻENIE! W przypadku uderzenia w jakiś przedmiot lub jeśli kosiarka się zablokuje, należy zatrzymać silniki i wyjąć akumulatory. Należy usunąć ścinki trawy, liście, brud i inne zebrane odpady, dokładnie sprawdzić czy traktor nie jest uszkodzony, a przed ponownym włączeniem i użyciem naprawić uszkodzenia.

UWAGA:

- Podczas jazdy, gdy użytkownik zejdzie z fotela, wskaźnik stanu traktora wyłączy się. Po ponownym rozpoczęciu jazdy należy usiąść wygodnie na fotelu i całkowicie wcisnąć pedał hamulca postojowego, tak aby wskaźnik stanu traktora zaświecił się na zielono.
- W czasie jazdy, podczas przełączania między kierunkiem jazdy do przodu i do tyłu, należy przesunąć dźwignię sterowania kierunkiem jazdy bezpośrednio z jednego końca na drugi bez zatrzymywania się w położeniu neutralnym, w przeciwnym razie traktor może się zatrzymać.


KORZYSTANIE Z TEMPOMATU (CCS)



Aktywowanie (włączenie) tempomatu (CCS) (Rys. E22)

UWAGA: Poziom prędkości jazdy pokazywany na ekranie LCD może nie odzwierciedlać dokładnie rzeczywistej prędkości jazdy traktora poruszającego się w trybie tempomatu. Aby „odświeżyć” poziom prędkości jazdy na ekranie LCD, należy nacisnąć przycisk regulacji prędkości.

Zatrzymywanie (wyłączenie) tempomatu (CCS), można tu wybrać jeden z trzech sposobów:

- Wcisnąć do końca i przytrzymać wciśnięty pedał gazu. Funkcja CCS zostanie zatrzymana, a traktor będzie kontynuował jazdę.
- Lekko wcisnąć pedał gazu, a następnie go puścić. Traktor i funkcja CCS zostaną zatrzymane.
- Nacisnąć przycisk CCS. Traktor i funkcja CCS zostaną zatrzymane.

UWAGA: Gdy system CCS zostanie zatrzymany, ikona „” zniknie z ekranu LCD i rozlegnie się dwukrotny sygnał dźwiękowy.

UWAGA: Jeśli pedał hamulca postojowego jest wciśnięty, ciągnik zatrzyma się, ale ikona „” będzie migać na ekranie LCD, sygnalizując, że system CCS znajduje się w trybie gotowości. W takim przypadku należy zwolnić pedał hamulca postojowego i nacisnąć przycisk CCS. Traktor automatycznie wznowi jazdę, a ikona „” przestanie migać.

WŁĄCZANIE OSTRZY PODCZAS JAZDY DO TYŁU

UWAGA: Koszenie podczas jazdy do tyłu nie jest zalecane.


▲ OSTRZEŻENIE! Podczas koszenia na biegu wstecznym należy zachować szczególną ostrożność. Przed rozpoczęciem koszenia oraz w trakcie koszenia na biegu wstecznym należy się zawsze upewnić, że w strefie pracy nie przebywają żadne osoby, a w szczególności małe dzieci.

▲ OSTRZEŻENIE! Podczas używania traktora z pojemnikiem na trawę operatorzy mogą mieć ograniczoną widoczność. Przed rozpoczęciem koszenia na biegu wstecznym należy zapoznać się z otoczeniem, a podczas koszenia zawsze zachowywać szczególną ostrożność.



Aktywowanie (włączenie) KOSZENIA DO TYŁU (E23)

Aby zatrzymać (wyłączyć) KOSZENIE DO TYŁU, można wybrać jeden z czterech sposobów:

- Nacisnąć jeden raz przycisk KOSZENIE DO TYŁU.
- Podnieść się z fotela traktora.
- Nacisnąć przycisk start/stop na 3 sekundy, aby wyłączyć ekran LCD.
- Aby wyłączyć traktor, wyjąć kluczyk zabezpieczający lub wyjąć akumulator(y).

UWAGA: Po zatrzymaniu funkcji KOSZENIE DO TYŁU na ekranie LCD zaświeci się ikona „”.

OPRÓŻNIANIE POJEMNIKA NA TRAWĘ (Rys. E24)

UWAGA: Gdy na ekranie LCD miga ikona „”, oznacza to, że pojemnik na trawę jest pełny. Po opróżnieniu pojemnika ikona „” zniknie z ekranu LCD.

UWAGA: Pojemnik na trawę musi zostać właściwie założony na traktor, inaczej traktorem będzie się dało jeździć, ale silników ostrzy nie można będzie włączyć.

KONSERWACJA

⚠ OSTRZEŻENIE! Należy zawsze nosić okulary ochronne z osłonami bocznymi. Nieprzestrzeganie tego zalecenia może doprowadzić do poważnych obrażeń oczu odłamkiem lub skrawkiem materiału wyrzuconym przez narzędzie.

⚠ OSTRZEŻENIE! Podczas wykonywania czynności konserwacyjnych przy ostrzu traktorka należy zawsze chronić ręce przez noszenie solidnych rękawic lub owinięcie krawędzi ostrza szmatami lub innymi materiałami. Na czas wykonywania czynności serwisowych lub transportowania z traktorka należy zawsze wyjmować kluczyk zabezpieczający i akumulatory.

ZALECANY/-E HARMONOGRAM(Y) KONSERWACJI

Harmonogram działań serwisowych	Procedura konserwacji
Przed każdym użyciem lub codziennie	<ul style="list-style-type: none"> ■ Sprawdzić system blokady bezpieczeństwa. ■ Sprawdzić wzrokowo, czy opony są napompowane. ■ Sprawdzić ostrza. ■ Przed każdym użyciem należy skontrolować cały produkt pod kątem uszkodzonych, brakujących lub obluzowanych części takich jak boczna rynna wyrzutowa, śruby, wkręty, nakrętki, nasadki itp. oraz sprawdzić, czy wszystkie osłony są zainstalowane i działają właściwie. ■ Sprawdzić i upewnić się, że pedał gazu daje się prawidłowo wcisnąć i zwolnić. ■ Sprawdzić tłumik kierownicy. Kierownica powinna się obracać z pewnym oporem.
Po każdym użyciu	<ul style="list-style-type: none"> ■ Wyczyścić traktorek i umyć pomost.
Co 25 godzin	<ul style="list-style-type: none"> ■ Sprawdzić ciśnienie opon.
Co 100 godzin	<ul style="list-style-type: none"> ■ Sprawdzić tylne koła, aby upewnić się, że wszystkie nakrętki mocujące są dokręcone zalecanym momentem (101-103 Nm). ■ Sprawdzić przednie koła, aby upewnić się, że nakrętka jest dokręcona zalecanym momentem (90-92 Nm).
Co 200 godzin	<ul style="list-style-type: none"> ■ Sprawdzić, czy przednie koła obracają się swobodnie.

Co pół roku	<ul style="list-style-type: none"> ■ Sprawdzić pedał hamulca postojowego. Wyjąć akumulator z traktorka, a następnie pociągnąć dźwignię blokady hamulca postojowego w górę i wcisnąć pedał hamulca postojowego, aby włączyć hamulec postojowy. Ręcznie popchnąć traktorek do przodu, aby sprawdzić, czy można go przesunąć bez obracania się tylnych kół. Jeśli traktorek się porusza, a tylne koła w międzyczasie się kręcą, należy skontaktować się z punktem serwisowym EGO w celu dokonania naprawy.
Przed przechowywaniem	<ul style="list-style-type: none"> ■ Wyjąć z traktorka akumulatory. ■ Wyjąć z traktorka kluczyk zabezpieczający. ■ Wykonać wszystkie procedury konserwacyjne wymienione powyżej i dokładnie wyczyścić traktorek. ■ Sprawdzić cały produkt pod kątem uszkodzonych, brakujących lub luźnych części, przed schowaniem wymienić je lub dokręcić.
Raz na rok	<ul style="list-style-type: none"> ■ Nasmarować tuleje wałów przednich kół.

PL

KONSERWACJA OGÓLNA

Opróżnianie pojemnika na trawę (Rys. F1 – F3)

Czyszczenie obudowy traktorka (Rys. F4)

Używanie portu do mycia do czyszczenia pomostu traktorka (Rys. F5 – F6)

F5-1	Port do mycia	F5-2	Szybkozłącze portu do mycia
F5-3	Wąż ogrodowy		

UWAGA: Po zakończeniu czyszczenia należy całkowicie wyłączyć traktorek, a następnie odłączyć wąż ogrodowy i szybkozłącze.

KONSERWACJA POMOSTU TRAKTORKA I OSTRZY TNĄCYCH

Przygotowanie (Rys. G1)

Demontaż pomostu (Rys. G2 – G3)

G2-1	Kabel silnika	G2-2	Zawlecзка
G2-3	Łącznik zawieszenia		

Wymiana ostrzy tnących (Rys. G4 – G6)

G4-1	Stabilizator	G5-1	Śruba
G5-2	Podkładka	G5-3	Ostrze
G5-4	Kołnierz	G5-5	Wałek silnika

Poziomowanie pomostu

- a. **Kiedy poziomować (Rys. G7 / Rys. G8 / Rys. G9)**
- b. **Przed poziomowaniem**
 - Kontrola ciśnienia w zimnej oponie (Rys. G10)
 - Sprawdzić ostrza tnące. Jeśli jest to konieczne, wyjąć i wymienić zużyte, pęknięte i/lub wygięte ostrza.
- c. **Przygotowanie do poziomowania (Rys. G11)**
- d. **Jak poziomować**
 - Wykonanie regulacji bok do boku (Rys. G12)
 - Wykonanie regulacji przód-tył (Rys. G13)

PRZECHOWYWANIE I TRANSPORT

TRANSPORT TRAKTORKA (Rys. H1 – H5)

H2-1	Rampy	H2-2	Pasy
------	-------	------	------

PL

UWAGA: Aby uniknąć przesuwania się podczas transportu, traktorek należy zamocować odpowiednio do potrzeb za pomocą pasów lub kabli.

PRZECHOWYWANIE (Rys. I1 – I2)

UWAGA: Akumulator(y) należy wyjąć i przechowywać osobno. Więcej informacji – patrz odpowiednie instrukcje obsługi.

Przed schowaniem traktorek trzeba wyczyścić i sprawdzić, patrz części „**KONSERWACJA OGÓLNA**” oraz „**ZALECANE HARMONOGRAMY KONSERWACJI**”.


Ochrona środowiska



WEEE (Zużyty sprzęt elektryczny i elektroniczny) Urządzeń elektrycznych, zużytych akumulatorów i ładowarki nie należy wyrzucać do zwykłych zmieszanych śmieci domowych! Produkt należy oddać do zbiórki selektywnej w autoryzowanym punkcie recyklingu. Elektronarzędzia należy oddawać do przyjaznego dla środowiska zakładu recyklingu.

ROZWIĄZYWANIE PROBLEMÓW

PROBLEM	PRZYCZYNA	ROZWIĄZANIE
Elektryczny traktorek ogrodowy nie jedzie, gdy zostanie wciśnięty pedał gazu.	<ul style="list-style-type: none"> Łączna pojemność włożonych akumulatorów jest mniejsza niż wymagana. 	<ul style="list-style-type: none"> Aby włączyć traktorek, należy użyć wystarczającej liczby akumulatorów EGO; należy przy tym postępować zgodnie z instrukcjami podanymi w części „PODŁĄCZANIE/ ODŁĄCZANIE AKUMULATORA” w niniejszej instrukcji.
	<ul style="list-style-type: none"> Pedał hamulca postojowego jest ustawiony w pozycji hamowania. 	<ul style="list-style-type: none"> Całkowicie wcisnąć pedał hamulca postojowego, aby zwolnić go z pozycji hamowania.
	<ul style="list-style-type: none"> Wskaźnik stanu traktorka nie świeci na zielono. 	<ul style="list-style-type: none"> Wcisnąć, a następnie puścić pedał hamulca postojowego. Wskaźnik stanu traktorka będzie świecił na zielono, co oznacza, że traktorek jest gotowy do uruchomienia.
	<ul style="list-style-type: none"> Operator nie siedzi na fotelu. 	<ul style="list-style-type: none"> Traktorek może być używany tylko wtedy, gdy operator prawidłowo siedzi na fotelu.
	<ul style="list-style-type: none"> System blokady zabezpieczającej fotela nie jest prawidłowo podłączony. 	<ul style="list-style-type: none"> Wyjąć akumulatory z traktorka i podnieść tył fotela, aby upewnić się, że wtyczka kabla jest prawidłowo podłączona do gniazda w dolnej części fotela (patrz część „MONTAŻ FOTEŁA”). Aby ponownie uruchomić traktorek i sprawdzić, czy można go włączyć, należy wykonać instrukcje podane w części „URUCHAMIANIE TRAKTORKA”. Jeśli nie, prosimy skontaktować się z punktem serwisowym EGO w celu dokonania naprawy.
	<ul style="list-style-type: none"> Przy bardzo niskich temperaturach funkcja jazdy może nie włączać się poprawnie ze względu na zabezpieczenie przed niskimi temperaturami. 	<ul style="list-style-type: none"> Traktorek i akumulatory należy zawsze przechowywać w ciepłym miejscu. Po rozgrzaniu ponownie uruchomić traktorek. Nie należy powtarzać prób w bardzo niskich temperaturach, gdyż może to doprowadzić do uszkodzenia urządzenia.
	<ul style="list-style-type: none"> Droga przemieszczania się pedału gazu jest zapchana śmieciami. 	<ul style="list-style-type: none"> Sprawdzić i usunąć zanieczyszczenia
	<ul style="list-style-type: none"> Uszkodzenie mechanicznych lub elektronicznych podzespołów pedału gazu. Dźwignia sterowania kierunkiem jest ustawiona w pozycji neutralnej. 	<ul style="list-style-type: none"> Skontaktować się z punktem serwisowym EGO w celu dokonania naprawy. Popchnąć/pociągnąć dźwignię sterowania kierunkiem w stronę oznaczenia „D” lub „R”.

PROBLEM	PRZYCZYNA	ROZWIĄZANIE
Elektryczny traktorek ogrodowy przestaje jechać.	<ul style="list-style-type: none"> W czasie jazdy, podczas przełączania między jazdą do przodu i do tyłu, przez długi czas dźwignia sterowania kierunkiem pozostaje w pozycji neutralnej. 	<ul style="list-style-type: none"> Puścić pedał gazu, a następnie wcisnąć go ponownie.
	<ul style="list-style-type: none"> Awaria podzespołów elektronicznych pedału gazu. 	<ul style="list-style-type: none"> Skontaktować się z punktem serwisowym EGO w celu dokonania naprawy.
	<ul style="list-style-type: none"> Podczas jazdy w trudnym terenie rozłączył się system blokady zabezpieczającej fotela. 	<ul style="list-style-type: none"> Wyjąć akumulatory z traktorka i podnieść tył fotela, aby upewnić się, że wtyczka kabla jest prawidłowo podłączona do gniazda w dolnej części fotela (patrz część „MONTAŻ FOTEŁA”). Aby ponownie uruchomić traktorek i sprawdzić, czy można go włączyć, należy wykonać instrukcje podane w części „URUCHAMIANIE TRAKTORKA”. Jeśli nie, należy skontaktować się z punktem serwisowym EGO w celu dokonania naprawy.
	<ul style="list-style-type: none"> Ciężar operatora nie jest równomiernie rozłożony na fotelu. Aby system blokady zabezpieczającej fotela działał właściwie, ciężar operatora na fotelu musi wynosić co najmniej 20 kg. 	<ol style="list-style-type: none"> Usiąść prawidłowo na fotelu, wcisnąć do końca pedał hamulca postojowego i puścić go. Traktorek jest teraz gotowy do jazdy. W razie potrzeby odłączyć i ponownie podłączyć akumulatory.
	<ul style="list-style-type: none"> Gdy pedał hamulca postojowego zostanie wystarczająco głęboko wciśnięty, ale nie zostanie zablokowany w pozycji parkowania, traktorek zatrzyma się. 	<ul style="list-style-type: none"> Aby ponownie uruchomić traktorek, wykonać instrukcje podane w części „URUCHAMIANIE TRAKTORKA”.
Gdy włączony jest przełącznik WOM, elektryczna kosiarka- traktorek nie włącza ostrzy.  Miga ikona przełącznika WOM	<ul style="list-style-type: none"> Łączna pojemność włożonych akumulatorów jest mniejsza niż wymagana. 	<ul style="list-style-type: none"> Aby włączyć traktorek, należy użyć wystarczającej liczby akumulatorów EGO; należy przy tym postępować zgodnie z instrukcjami podanymi w części „PODŁĄCZANIE/ODŁĄCZANIE AKUMULATORA” w niniejszej instrukcji.
	<ul style="list-style-type: none"> Przy ostatnim wyłączeniu traktorka przełącznik WOM nie został wciśnięty. 	<ul style="list-style-type: none"> Popchnąć przełącznik WOM w dół, a następnie w górę, aby ponownie włączyć silniki ostrzy.
	<ul style="list-style-type: none"> W chwili, gdy ostrza zaczynają się kręcić traktorek jest przeciążony, co uruchamia system zabezpieczania silników ostrza. 	<ul style="list-style-type: none"> Najpierw włączyć koszenie trawy z małą prędkością ostrza. Nie należy zwiększać prędkości dopóki ostrza nie zaczną się poprawnie kręcić.
	<ul style="list-style-type: none"> Przy bardzo niskich temperaturach silnik ostrza może nie włączać się poprawnie ze względu na zabezpieczenie przed niskimi temperaturami. 	<ul style="list-style-type: none"> Traktorek i akumulatory należy zawsze przechowywać w ciepłym miejscu. Po rozgrzaniu ponownie uruchomić traktorek. Nie należy powtarzać prób w bardzo niskich temperaturach, gdyż może to doprowadzić do uszkodzenia urządzenia.
	<ul style="list-style-type: none"> Ostrze haczy o odkształcony pomost traktorka 	<ul style="list-style-type: none"> Skontaktować się z punktem serwisowym EGO w celu dokonania naprawy.
	<ul style="list-style-type: none"> Pojemnik na trawę nie jest prawidłowo zainstalowany. 	<ul style="list-style-type: none"> Prawidłowo zainstalować pojemnik na trawę, zgodnie z opisem w części „MONTAŻ POJEMNIKA NA TRAWĘ” w instrukcji obsługi.

PL

PROBLEM	PRZYCZYNA	ROZWIĄZANIE
Ostrza zatrzymują się podczas koszenia trawy.	<ul style="list-style-type: none"> Traktorek jest przeciążony. 	<ul style="list-style-type: none"> Zwiększyć wysokość ustawienia pomostu traktorka lub zmniejszyć prędkość jazdy, aby zmniejszyć obciążenie traktorka.
	<ul style="list-style-type: none"> Pomost jest zapchany trawą i zanieczyszczeniami. 	<ul style="list-style-type: none"> Wyczyścić pomost i upewnić się, że ostrza mogą się swobodnie obracać.
	<ul style="list-style-type: none"> Traktorek jest przegrzany. 	<ul style="list-style-type: none"> Zmniejszyć obciążenie traktorka przez zwiększenie wysokości ustawienia jego pomostu lub zmniejszenie prędkości ostrza/jazdy i odczekać, aż traktorek ostygnie.
	<ul style="list-style-type: none"> Akumulatory w komorze akumulatorów traktorka są przegrzane, co powoduje, że łączna pojemność wszystkich włożonych akumulatorów jest mniejsza niż wymagana. 	<ol style="list-style-type: none"> Jeśli łączna pojemność akumulatorów, z wyłączeniem przegrzanego akumulatora, będzie wystarczająca, traktorek może pracować dalej. Gdy przegrzany akumulator ostygnie do normalnej temperatury, natychmiast wróci do zasilania traktorka. Jeśli łączna pojemność akumulatorów będzie mniejsza niż wymagana, traktorek nie będzie pracował dopóki do wolnych komór akumulatorów nie zostaną włożone dodatkowe akumulatory. Zmniejszyć obciążenie traktorka przez zwiększenie wysokości ustawienia pomostu traktorka lub zmniejszenie prędkości koszenia po wznowieniu pracy.
	<ul style="list-style-type: none"> Traktorek znajduje się w trybie awaryjnym. 	<ul style="list-style-type: none"> Gdy traktorek działa w trybie awaryjnym, kręcenie się ostrzy zostaje automatycznie przełączone na małą prędkość obrotową. Operator powinien zaprzestać pracy i jak najszybciej dojechać do miejsca ładowania akumulatora.
	<ul style="list-style-type: none"> Traktorek został uderzony twardym przedmiotem, co spowodowało automatyczne zadziałanie zabezpieczenia silnika. 	<ul style="list-style-type: none"> Popchnąć przełącznik WOM w dół, a następnie w górę, aby ponownie włączyć silniki ostrzy.
	<ul style="list-style-type: none"> Traktorek porusza się do tyłu, a na ekranie LCD podświetlona jest ikona KOSZENIE DO TYŁU WYŁĄCZONE. 	<ul style="list-style-type: none"> Nacisnąć przełącznik WOM w dół i ponownie włączyć silniki ostrzy, zgodnie z instrukcjami podanymi w części „Aktywowanie (włączanie) KOSZENIA DO TYŁU”.
Wskaźnik dźwiękowy kontynuuje wydawanie sygnałów.	<ul style="list-style-type: none"> Traktorek działa w trybie awaryjnym i ostrza nie są wyłączone. 	<ul style="list-style-type: none"> Popchnąć przełącznik WOM w dół, aby wyłączyć silniki ostrzy. Po wyłączeniu silników ostrzy wskaźnik dźwiękowy przestanie emitować sygnał dźwiękowy.
	<ul style="list-style-type: none"> Traktorek zatrzymał się na pochyłości, a operator zszedł z fotela bez wcześniejszego ustawienia pedału hamulca postojowego w pozycji hamulca postojowego. 	<ul style="list-style-type: none"> Przed pozostawieniem traktorka na pochyłości należy ustawić pedał hamulca postojowego w pozycji hamulca postojowego.
Gdy traktorek jest wyłączony, wskaźniki zasilania na akumulatorach są nadal podświetlone.	<ul style="list-style-type: none"> Po wyłączeniu traktorka na równym podłożu bez wyjmowania akumulatora/-ów z traktorka, wskaźniki zasilania pozostają przez pewien czas podświetlone. 	<ul style="list-style-type: none"> Nie jest potrzebne żadne działanie. Gdy po pewnym czasie traktorek wyłączy się, wskaźniki akumulatora zgasną. Szczegółowe informacje na temat czasu podane są w części „ZATRZYMYWANIE TRAKTORKA”.
	<ul style="list-style-type: none"> Gdy traktorek zostanie wyłączony na pochyłości bez włączenia hamulca postojowego, wskaźniki zasilania na akumulatorach pozostaną włączone aż do momentu rozładowania akumulatora. Jednocześnie wskaźnik dźwiękowy będzie generował sygnał dźwiękowy. 	<ul style="list-style-type: none"> Przed pozostawieniem traktorka na zboczu należy ustawić pedał hamulca postojowego w położeniu hamulca postojowego. Inaczej traktorek może się zsunąć ze zbocza.

PROBLEM	PRZYCZYNA	ROZWIĄZANIE
Ekran LCD nie zapala się, gdy wszystkie ikony są włączone.	<ul style="list-style-type: none"> Przycisk start/stop nie był wciśnięty przez wystarczająco długi czas. 	<ol style="list-style-type: none"> Gdy przycisk start/stop zostanie na krótko wciśnięty, na ekranie LCD zostanie wyświetlony „paliwomierz”. Ekran LCD włączy się po całkowitym wciśnięciu pedału hamulca postojowego i jednoczesnym, wystarczająco długim wciśnięciu przycisku start/stop.
	<ul style="list-style-type: none"> Gdy na ekranie LCD miga ikona kluczyka zabezpieczającego „”, kluczyk zabezpieczający nie jest włożony do stacyjki. 	<ul style="list-style-type: none"> Włożyć kluczyk zabezpieczający, a następnie całkowicie wcisnąć pedał hamulca postojowego i jednocześnie nacisnąć przycisk start/stop na wystarczająco długo, aby włączyć ekran LCD.
	<ul style="list-style-type: none"> Gdy na ekranie LCD miga ikona hamulca postojowego „”, pedał hamulca postojowego nie jest całkowicie wciśnięty. 	<ul style="list-style-type: none"> Włożyć kluczyk zabezpieczający, a następnie całkowicie wcisnąć pedał hamulca postojowego i jednocześnie nacisnąć przycisk start/stop na wystarczająco długo, aby włączyć ekran LCD.
Traktorek kosi nierówno, ze znaczącą różnicą wysokości między przodem a tyłem.	<ul style="list-style-type: none"> Ostrza są tępe. 	<ul style="list-style-type: none"> Naostrzyć lub wymienić ostrza tnące, zgodnie ze wskazówkami podanymi w instrukcji.
	<ul style="list-style-type: none"> Ostrza są wygięte. 	<ul style="list-style-type: none"> Wymienić wygięte ostrza tnące zgodnie z instrukcjami podanymi w części „Wymiana ostrzy tnących”.
	<ul style="list-style-type: none"> Pomost nie jest wypoziomowany, co powoduje nierówną wysokość koszenia 	<ul style="list-style-type: none"> Wykonać poziomowanie pomostu zgodnie z instrukcjami podanymi w części „Poziomowanie pomostu”.
Aktualna wysokość cięcia trawy nie jest wyrównana z żadaną wysokością.	<ul style="list-style-type: none"> Nakrętki pomostu na łączniku zawieszenia są poluzowane. 	<ul style="list-style-type: none"> Aby wykonać poprawną regulację przód/tył pomostu traktorka i przykręcić nakrętki na elementach prowadzących zawieszenia, należy postępować zgodnie z instrukcjami podanymi w części „Poziomowanie pomostu”.
	<ul style="list-style-type: none"> Pomost jest uszkodzony lub mocno zużyty. 	<ul style="list-style-type: none"> Aby wymienić pomost traktorka, należy postępować zgodnie z instrukcjami podanymi w części „Demontaż pomostu”.
Traktorek nie mulczyje prawidłowo.	<ul style="list-style-type: none"> Pod podwoziem przykleja się skoszona mokra trawa. 	<ul style="list-style-type: none"> Przed koszeniem odczekać, aż trawa podeschnie.
	<ul style="list-style-type: none"> Traktorek jest ustawiony na koszenie zbyt dużej ilości trawy za jednym razem. 	<ul style="list-style-type: none"> Ustawić wyższą wysokość koszenia.
Nadmierne drgania.	<ul style="list-style-type: none"> Ostrza tnące są poluzowane. 	<ul style="list-style-type: none"> Śrubę ostrza należy dokręcić zalecanym momentem.
	<ul style="list-style-type: none"> Ostrza są wygięte. 	<ul style="list-style-type: none"> Wymienić wygięte ostrza tnące zgodnie z instrukcjami podanymi w części „Wymiana ostrzy tnących”.
	<ul style="list-style-type: none"> Pomost nie jest wypoziomowany. 	<ul style="list-style-type: none"> Wykonać poziomowanie pomostu traktorka zgodnie z instrukcjami podanymi w części „Poziomowanie pomostu”.
	<ul style="list-style-type: none"> Nakrętki pomostu na łączniku zawieszenia są poluzowane. 	<ul style="list-style-type: none"> Dokręcić nakrętki na elementach prowadzących zawieszenia.
	<ul style="list-style-type: none"> Pomost jest ustawiony na koszenie zbyt dużej ilości trawy za jednym razem. 	<ul style="list-style-type: none"> Ustawić wyższą wysokość koszenia.
Na podłożu pozostaje trawa lub resztki po wykoszeniu.	<ul style="list-style-type: none"> Pomost jest ustawiony na koszenie zbyt dużej ilości trawy za jednym razem, gdy trawa jest wysoka. 	<ul style="list-style-type: none"> Rozpocząć z dużą wysokością koszenia, po czym zmniejszać ją, aż do uzyskania żądanych efektów koszenia. W przypadku trawy o wysokości ponad 152 mm, koszenie należy wykonywać w dwóch etapach, zmniejszając wysokość koszenia.
	<ul style="list-style-type: none"> Trawa jest mokra. 	<ul style="list-style-type: none"> Nie należy kosić, gdy trawa jest mokra. Poczekać, aż trawa wyschnie.
	<ul style="list-style-type: none"> Prędkość jazdy jest zbyt duża. 	<ul style="list-style-type: none"> Zmniejszyć prędkość jazdy.
	<ul style="list-style-type: none"> Prędkość ostrza jest niska. 	<ul style="list-style-type: none"> Stopniowo zwiększyć prędkość ostrzy.
Krótki czas pracy traktorka z dołączonymi akumulatorami.	<ul style="list-style-type: none"> Ukształtowanie terenu trawnika, stan trawy, ustawienie wysokości koszenia, prędkość jazdy, prędkość obrotowa ostrzy itp. mają wielki wpływ na czas pracy. 	<ul style="list-style-type: none"> Zwiększyć wysokość ustawienia pomostu lub zmniejszyć prędkość ostrza, aby zmniejszyć obciążenie.

PL

PROBLEM	PRZYCZYNA	ROZWIĄZANIE
Traktorek nie jedzie prosto.	<ul style="list-style-type: none"> ■ Ciśnienie opon w lewych i prawych kołach jest różne. 	<ul style="list-style-type: none"> ■ Sprawdzić i skorygować ciśnienie powietrza w kołach przednich i tylnych zgodnie z zaleceniami podanymi w części „SPECYFIKACJA” w niniejszej instrukcji.
Nie można zwolnić pedału hamulca postojowego z pozycji hamulca postojowego lub pedał za wolno odskakuje.	<ul style="list-style-type: none"> ■ Droga, po której porusza się pedał hamulca postojowego jest zapchana jakimiś zanieczyszczeniami. 	<ul style="list-style-type: none"> ■ Sprawdzić i usunąć zanieczyszczenia.
Gdy kontrolka stanu traktorka świeci na czerwono, traktorka nie można ładować przez port ładowania.	<ul style="list-style-type: none"> ■ Wtyczka ładowarki nie jest poprawnie włożona do portu ładowania w traktorku. 	<ul style="list-style-type: none"> ■ Podłączyć wtyczkę ładowarki, aby sprawdzić, czy traktorek można normalnie naładować.
	<ul style="list-style-type: none"> ■ W gniazdkach ściennych nie ma prądu. 	<ul style="list-style-type: none"> ■ Nie jest potrzebne żadne działanie. Odczekać, aż zasilanie powróci.
	<ul style="list-style-type: none"> ■ Niewłaściwe działanie ładowarki. 	<ul style="list-style-type: none"> ■ Skontaktować się z punktem serwisowym EGO i zlecić sprawdzenie i/lub naprawę ładowarki (ile potrzeba) wykwalifikowanemu technikowi serwisowemu.
	<ul style="list-style-type: none"> ■ Port ładowarki w traktorku jest uszkodzony. 	<ul style="list-style-type: none"> ■ Prosimy skontaktować się z punktem serwisowym EGO w celu dokonania naprawy.
Czas ładowania przez port ładowania traktorka jest zbyt długi.	<ul style="list-style-type: none"> ■ Używanie zasilacza EGO ACA1000 do ładowania wymaga długiego czasu. 	<ul style="list-style-type: none"> ■ Do bezpośredniego ładowania elektrycznego traktorka ogrodowego należy używać ładowarki EGO CHV1600E.
Akumulatorów nie da się w pełni naładować przez port ładowania traktorka.	<ul style="list-style-type: none"> ■ Błąd oprogramowania firmowego traktorka, akumulatora lub ładowarki. 	<ul style="list-style-type: none"> ■ Zresetować ładowarkę poprzez odłączenie jej od prądu i odczekanie przez kilka minut. Następnie ponownie podłączyć wtyczkę do zasilania. Jeśli to nie rozwiąże problemu, zadzwonić do punktu serwisowego EGO.
Traktorek nie włącza się po czyszczeniu.	<ul style="list-style-type: none"> ■ Niepoprawne czyszczenie, np. woda dostała się do elementów elektrycznych, ekranu LCD, itp. 	<ol style="list-style-type: none"> 1. Aby prawidłowo wyczyścić traktorek, należy postępować zgodnie z instrukcjami podanymi w części „KONSERWACJA OGÓLNA”. 2. Jeśli traktorek przez przypadek zmoknie na deszczu, należy zostawić go, aby wysechł lub użyć sprężonego powietrza, aby go wysuszyć.
Pomost traktorka szybko się zapycha.	<ul style="list-style-type: none"> ■ Pomost traktorka nie został odpowiednio wyczyszczony po poprzednim użyciu. 	<ul style="list-style-type: none"> ■ Po każdym użyciu należy wyczyścić pomost traktorka zgodnie z instrukcjami podanymi w części „Używanie portu do mycia do czyszczenia pomostu”.
Podczas wjeżdżania na zbocze traktorek łatwo traci przyczepność.	<ul style="list-style-type: none"> ■ Opony tylnych kół są zużyte. 	<ul style="list-style-type: none"> ■ Aby wymienić opony kół, skontaktować się z lokalnym punktem serwisowym.
	<ul style="list-style-type: none"> ■ Koszenie na stromym zboczu. 	<ul style="list-style-type: none"> ■ Traktorek nie powinien być używany do koszenia pochyłości o nachyleniu większym niż dopuszczalne.
Gdy traktorek zatrzyma się na pochyłości, a pedał hamulca postojowego jest wciśnięty, traktorek może się stoczyć ze zbocza.	<ul style="list-style-type: none"> ■ Elementy hamulca są nadmiernie zużyte z powodu nieprawidłowej eksploatacji traktorka. 	<ul style="list-style-type: none"> ■ Skontaktować się z punktem serwisowym EGO w celu dokonania naprawy.
Podczas czyszczenia pomostu w porcie do mycia nie ma wody.	<ul style="list-style-type: none"> ■ Szybkozłączka portu do mycia nie została prawidłowo zamontowana w porcie do mycia. 	<ul style="list-style-type: none"> ■ Ponownie zamocować szybkozłączkę portu do mycia, aż da się słyszeć kliknięcie. Jeśli to nie zadziała, należy zadzwonić do punktu serwisowego EGO.
Podczas ręcznego pchania traktorka bez jego uruchamiania słychać nietypowe dźwięki.	<ul style="list-style-type: none"> ■ Z magnesów w silniku napędu dochodzą jakieś odgłosy. 	<ul style="list-style-type: none"> ■ Jest to normalne i nie wymaga żadnych działań.

PROBLEM	PRZYCZYNA	ROZWIĄZANIE
Nie można obrócić kierownicy.	<ul style="list-style-type: none"> Zespół kierownicy jest zapchany zanieczyszczeniami. 	<ul style="list-style-type: none"> Sprawdzić i usunąć zanieczyszczenia.
Po obroceniu kierownicy traktorek nie skręca w lewo/prawo.	<ul style="list-style-type: none"> Uszkodzenie podzespołów elektronicznych lub mechanicznych. 	<ul style="list-style-type: none"> Skontaktować się z punktem serwisowym EGO w celu dokonania naprawy.
Po zwolnieniu pedału gazu traktorek się nie zatrzymuje.	<ul style="list-style-type: none"> Droga powrotna pedału gazu jest zapchana zanieczyszczeniami. W czasie jazdy został przypadkowo wciśnięty przycisk CCS. Traktorek znajduje się w trybie tempomatu 	<ul style="list-style-type: none"> Sprawdzić i usunąć zanieczyszczenia. Sprawdzić, czy na ekranie LCD świeci ikona CCS; w razie potrzeby wyjść z trybu CCS. Patrz rozdział „KORZYSTANIE Z TEMPOMATU (CCS)”
Funkcji CCS nie można włączyć ani wyłączyć.	<ul style="list-style-type: none"> Przycisk CCS nie został wciśnięty właściwie. 	<ul style="list-style-type: none"> Naciskać przycisk CCS, aż ikona CCS zaświeci się na ekranie LCD lub zniknie z ekranu LCD.
Przednie koła traktorka kręcąc się hałasują w nietypowy sposób	<ul style="list-style-type: none"> Tuleje wałów przednich kół wymagają nasmarowania. 	<ul style="list-style-type: none"> Wyjąć akumulatory, a następnie napełnić otwory wtryskowe smarem, aż smar przeleje się przez górną lub dolną krawędź tulei wałów przednich kół.

INFORMACJE O STANIE TRAKTORKA

Wyświetlacz LCD	Opis	Wskaźnik stanu traktorka	Kontrolka audio	Przyczyna	Rozwiązanie
	Ikona wskaźnika paliwa	NIE ŚWIECI	Nie	Przedstawia średnią pojemność ładowania włożonych akumulatorów.	Jest to normalne. Nie jest potrzebne żadne działanie.
	Ikona licznika godzin	NIE ŚWIECI	Nie	Przedstawia całkowity czas jazdy traktorka, w godzinach. Licznika nie da się zresetować.	Jest to normalne. Nie jest potrzebne żadne działanie.
	Ikona wskaźnika obciążenia	NIE ŚWIECI	Nie	Przedstawia bieżące obciążenie traktorka.	Jest to normalne. Nie jest potrzebne żadne działanie.
	Na ekranie LCD zapala się ikona świateł LED.	NIE ŚWIECI	Nie	Reflektory są włączane przełącznikiem świateł LED.	Jest to normalne. Nie jest potrzebne żadne działanie.
	Na ekranie LCD zapala się ikona Bluetooth	NIE ŚWIECI	Nie	Traktorek jest połączony z urządzeniem mobilnym przez Bluetooth.	Jest to normalne. Nie jest potrzebne żadne działanie.
	Na ekranie LCD zapala się ikona KOSZENIE DO TYŁU WYŁĄCZONE.	NIE ŚWIECI	Nie	Sygnalizuje, że ostrzy nie można włączyć, gdy traktorek porusza się do tyłu.	Jest to normalne. W razie potrzeby należy włączyć ostrza podczas jazdy do tyłu zgodnie z opisem w części „WŁĄCZANIE OSTRZY PODCZAS JAZDY DO TYŁU” w instrukcji obsługi.
	Na ekranie LCD zapala się ikona napędu.	NIE ŚWIECI	Nie	Sygnalizuje, że traktorek może jechać lub jedzie do przodu.	Jest to normalne. Ustawić dźwignię sterowania kierunkiem jazdy w pozycji „D”, neutralnej lub „R”, odpowiednio do potrzeb.
	Na ekranie LCD zapala się ikona cofania.	NIE ŚWIECI	Nie	Sygnalizuje, że traktorek może jechać lub jedzie do tyłu.	
	Ikona jazdy i ikona biegu wstecznego migają naprzemiennie	NIE ŚWIECI	Nie	Oznacza to, że traktorkiem nie można jechać.	
	Zapala się ikona kluczyka zabezpieczającego	NIE ŚWIECI	Nie	Kluczyk zabezpieczający jest włożony prawidłowo.	Jest to normalne. Nie jest potrzebne żadne działanie.
	Gdy na ekranie LCD wyświetlany jest „wskaźnik paliwa”, miga ikona kluczyka zabezpieczającego.	NIE ŚWIECI	Nie	Kluczyk zabezpieczający nie jest włożony.	Włożyć kluczyk zabezpieczający, a następnie całkowicie wcisnąć pedał hamulca postojowego i jednocześnie nacisnąć przycisk START/STOP i przytrzymać przez ponad 3 sekundy, aby włączyć traktorek.
				Uszkodzenie zespołu skrzynki panelu sterowania kluczykiem.	Skontaktować się z punktem serwisowym EGO w celu dokonania naprawy.

PL

Wyświetlacz LCD	Opis	Wskaźnik stanu traktorka	Kontrolka audio	Przyczyna	Rozwiązanie
	Gdy na ekranie LCD wyświetlany jest „wskaźnik paliwa”, miga ikona hamulca postojowego.	NIE ŚWIECI	Nie	Pedał hamulca postojowego nie jest wciśnięty.	Aby włączyć traktorek, po włożeniu kluczyka zabezpieczającego należy całkowicie wcisnąć pedał hamulca postojowego, a jednocześnie nacisnąć przycisk START/STOP i przytrzymać wciśnięty przez ponad 3 sekundy.
	Gdy na ekranie LCD wyświetlany jest interfejs operatora, miga ikona hamulca postojowego.	NIE ŚWIECI	Nie	Przed wciśnięciem pedału hamulca postojowego należy wcisnąć pedał gazu, aby wskaźnik traktorka zaświecił się na zielono.	Prawidłowo uruchomić traktorek zgodnie z instrukcjami podanymi w części „URUCHAMIANIE TRAKTORKA”.
	Zapala się ikona hamulca postojowego	NIE ŚWIECI	Nie	Pedał hamulca postojowego jest ustawiony w pozycji hamulca postojowego.	Zwolnić go przed włączeniem traktorka.
	Zapala się ikona czujnika fotela	NIE ŚWIECI	Nie	Operator opuszcza fotel lub system blokady zabezpieczającej fotela jest odłączony.	Jeśli operator siedzi na fotelu, a ikona się świeci, należy natychmiast zaprzestać używania traktorka i sprawdzić podłączenie fotela. Jeśli podłączenie fotela w traktorku jest prawidłowe, należy skontaktować się z wykwalifikowanym technikiem serwisu, w celu dokonania naprawy.
	Miga ikona przełącznika WOM	NIE ŚWIECI	Nie	Silnik ostrza przerywa działanie a przełącznik WOM nie jest ustawiony w pozycji off.	Przed ponownym włączeniem traktorka należy przesunąć przełącznik WOM w dół, aby wyłączyć silniki ostrza. Prosimy zapoznać się z częścią „ROZWIĄZYWANIE PROBLEMÓW” w niniejszej instrukcji.
	Miga ikona określonej komory akumulatora.	NIE ŚWIECI	Nie	Podczas rozładowywania w jakimś akumulatorze pojawia się zbyt duży prąd.	Nie jest potrzebne żadne działanie. Traktorek może dalej pracować, o ile łączna pojemność akumulatorów, z wyłączeniem akumulatora, którego dotyczy przeciążenie, będzie równa lub większa od 15 Ah. Gdy akumulator, którego dotyczy przetężenie, wróci do normalnego stanu, zostanie natychmiast włączony do zasilania traktorka, a ikona zniknie.
	Miga ikona pustej komory akumulatora	NIE ŚWIECI	Nie	Pojemność akumulatora nie jest wystarczająca, aby traktorek mógł pracować.	Aby włączyć traktorek, należy użyć wystarczającej liczby akumulatorów EGO; należy przy tym postępować zgodnie z instrukcjami podanymi w części „PODŁĄCZANIE/ODŁĄCZANIE AKUMULATORA” w niniejszej instrukcji.

Wyświetlacz LCD	Opis	Wskaźnik stanu traktorka	Kontrolka audio	Przyczyna	Rozwiązanie
	Migają jednocześnie ikona temperatury i komory zajmowanej przez akumulator.	NIE ŚWIECI	Nie	Akumulator w odpowiednim schowku akumulatora jest przegrzany.	<ol style="list-style-type: none"> Jeśli łączna pojemność akumulatorów, z wyłączeniem przegrzanego akumulatora, będzie wystarczająca, traktorek może pracować dalej. Gdy przegrzany akumulator ostygnie do normalnej temperatury, natychmiast wróci do zasilania traktorka. Jeśli łączna pojemność akumulatorów będzie mniejsza niż wymagana, traktorek nie będzie pracował dopóki do wolnych komór akumulatorów nie zostaną włożone dodatkowe akumulatory. Zmniejszyć obciążenie traktorka przez zwiększenie wysokości ustawienia pomostu traktorka lub zmniejszenie prędkości koszenia po wznowieniu pracy.
	Miga ikona temperatury.	NIE ŚWIECI	Jeden sygnał dźwiękowy	Traktorek jest przegrzany.	Zmniejszyć obciążenie traktorka przez zwiększenie wysokości ustawienia jego pomostu lub zmniejszenie prędkości ostrza/jazdy. Odczekać, aż traktorek ostygnie.
	Miga ikona temperatury.	NIE ŚWIECI	Jeden sygnał dźwiękowy	Traktorek jest zbyt zimny.	Nie należy ponawiać prób, gdyż może to doprowadzić do uszkodzenia urządzenia. Traktorek i akumulatory należy zawsze przechowywać w ciepłym miejscu. Po rozgrzaniu ponownie uruchomić traktorek.
	Ikona alarmu miga	Miga na czerwono	Jeden sygnał dźwiękowy	Silnik ostrza jest przeciążony.	Zwiększyć wysokość ustawienia pomostu traktorka lub zmniejszyć prędkość jazdy, aby zmniejszyć obciążenie traktorka.
	Ikona alarmu miga	Miga na czerwono	Jeden sygnał dźwiękowy	Boczna rynna wyrzutowa jest zapchana trawą i zanieczyszczeniami.	Po każdym użyciu należy wyczyścić boczny rynnę wyrzutową.
	Ikona alarmu miga	Miga na czerwono	Jeden sygnał dźwiękowy	Ostrze zahacza o pomost traktorka.	Skontaktować się z punktem serwisowym EGO
	Na ekranie LCD jednocześnie co 1 sekundę migają ikony każdej zajętej komory baterii i ikona alarmu.	Miga na czerwono	Kontynuuje wydawanie sygnałów dźwiękowych do chwili, gdy przełącznik WOM zostanie popchnięty w dół.	Akumulatory są słabo naładowane i traktorek działa w trybie awaryjnym.	<p>Przerwać pracę i wrócić do miejsca ładowania akumulatora.</p> <p>UWAGA: Gdy traktorek znajduje się w trybie awaryjnym, kręcenie się ostrzy zostaje automatycznie przełączone na małą prędkość obrotową, a kontrolka sygnału dźwiękowego wydaje sygnały dźwiękowe. Operator powinien przesunąć przełącznik WOM w dół, aby wyłączyć silniki ostrzy. Po zatrzymaniu się ostrzy wskaźnik dźwiękowy przestanie wydawać sygnały dźwiękowe.</p>

Wyświetlacz LCD	Opis	Wskaźnik stanu traktorka	Kontrolka audio	Przyczyna	Rozwiązanie
	Ikona każdej zajętej komory akumulatora i ikona alarmu migają co pół sekundy.	Miga na czerwono	Kontynuuje wydawanie sygnałów dźwiękowych	Silnik ostrza przerywa działanie a przełącznik WOM nie jest ustawiony w pozycji off.	Traktorek natychmiast przestanie pracować. Operator powinien przestawić traktorek w miejsce ładowania akumulatora w celu naładowania.
	Na ekranie LCD zapala się ikona CCS	Świeci na zielono	Nie	Traktorek kontynuuje jazdę do przodu z ustawioną prędkością bez konieczności naciśnięcia na pedał gazu.	Jest to normalne. W razie potrzeby należy wyłączyć funkcję CCS zgodnie z instrukcjami podanymi w części „Zatrzymywanie (wyłączenie) tempomatu (CCS)” w instrukcji obsługi.
	Na ekranie LCD miga ikona CCS.	NIE ŚWIECI	Nie	Awaria funkcji CCS (system tempomatu). W celu zatrzymania traktorka został wciśnięty pedał hamulca postojowego.	Gdy traktorek jedzie z bardzo małą prędkością lub jedzie na biegu wstecznym, funkcji CCS nie można nastawić. Po zwolnieniu pedału hamulca postojowego nacisnąć przycisk CCS; na wyświetlaczu LCD zapali się ikona CCS, lub wyłączyć funkcję CCS zgodnie z instrukcjami podanymi w części „Zatrzymywanie (wyłączenie) tempomatu (CCS)”.
	Na ekranie LCD zapala się ikona braku pojemnika	n.d.	Nie	Oznacza to, że pojemnik na trawę nie jest zamontowany na traktorku lub jest zamontowany nieprawidłowo.	Prawidłowo zamontować pojemnik na trawę na traktorku.
	Na ekranie LCD miga ikona pełnego pojemnika	n.d.	Nie	Oznacza to, że pojemnik na trawę jest pełny.	Opróżnić pojemnik na trawę i założyć go z powrotem.
n.d.	n.d.	NIE ŚWIECI	Kontynuuje wydawanie sygnałów dźwiękowych	Traktorek jest zaparkowany na pochyłości, a operator opuszcza go bez ustawienia pedału hamulca postojowego w pozycji hamulca postojowego.	Ustawić pedał hamulca postojowego w położeniu hamulca postojowego. Zapala się ikona hamulca postojowego, wskaźnik dźwiękowy przestaje emitować sygnał dźwiękowy.
NIE ŚWIECI	Usterka portu ładowania	Świeci na czerwono stałym światłem	n.d.	Brak zasilania.	Sprawdź, czy napięcie w gniazdku ściennym wynosi 220V-240V lub czy gniazdko jest w dobrym stanie.
		Świeci na czerwono stałym światłem	n.d.	Usterki elektroniczne, takie jak przerwa w obwodzie portu ładowania, przepalenie się bezpiecznika itp.	Skontaktować się z punktem serwisowym EGO w celu dokonania naprawy.

KODY BŁĘDU – OPIS

Opis	Kod błędu na LCD	Kontrolka audio	Rozwiązanie
Nie działa silnik lewego ostrza	509	Jeden sygnał dźwiękowy	Najpierw skontrolować ostrze. Jeśli śruba jest poluzowana, należy ją dokręcić zalecanym momentem. W celu dokonania naprawy prosimy skontaktować się z punktem serwisowym EGO.
Nie działa silnik prawego ostrza	609	Jeden sygnał dźwiękowy	

UWAGA: W przypadku pojawienia się na ekranie LCD innych kodów błędów, które mogą wskazywać na awarię układu PCBA, poluzowanie się połączenia, awarię silnika napędowego, silników ostrzy itp. należy wyjąć wszystkie akumulatory i włożyć je ponownie kilka minut później, aby ponownie uruchomić traktorek. Jeśli nie rozwiąże to problemu, należy zapisać kod błędu i skontaktować się z punktem serwisowym EGO w celu dokonania naprawy.

GWARANCJA

POLITYKA GWARANCYJNA EGO

W celu zapoznania się z wszystkimi warunkami polityki gwarancyjnej EGO prosimy wejść na stronę egopowerplus.eu.

PŘEČTĚTE SI VŠECHNY POKYNY!



PŘEČTĚTE SI NÁVOD K OBSLUZE

BEZPEČNOSTNÍ SYMBOL

Účelem bezpečnostních symbolů je upoutat vaši pozornost k případným nebezpečím. Bezpečnostní symboly a jejich vysvětlení vyžadují vaši zvýšenou pozornost a porozumění. Výstražné symboly samy o sobě nevylučují žádné nebezpečí. Pokyny a varování nejsou náhradou vhodných opatření pro prevenci úrazů.

VAROVÁNÍ: Před použitím tohoto náradí si přečtěte a seznamte se se všemi bezpečnostními pokyny uvedenými v tomto návodu k obsluze včetně veškerých výstražných symbolů jako např. „**NEBEZPEČÍ**“, „**VAROVÁNÍ**“ a „**UPOZORNĚNÍ**“. Nedodržení níže uvedených pokynů může mít za následek úraz elektrickým proudem, požár a/nebo vážná zranění osob.

VÝZNAM SYMBOLŮ

Na této stránce jsou zobrazeny a popsány bezpečnostní symboly, které se mohou na výrobku objevit. Před montáží a provozem si přečtěte, seznamte se a dodržujte veškeré pokyny související s náradím.

BEZPEČNOSTNÍ SYMBOLY

CZ



Bezpečnostní upozornění



Ochrana očí



NEBEZPEČÍ - Nebezpečí prudkého svahu



Nikdy nevozte děti



VAROVÁNÍ - Nepoužívejte tento stroj na svazích se sklonem větším než 12 °.



Varování - UDRŽUJTE NOHY A RUCE V BEZPEČNÉ VZDÁLENOSTI



Zákaz vstupu



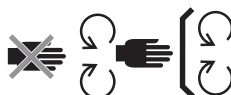
Tento výrobek je v souladu s platnými směnicemi ES



Stejnoseměrný proud



Je nutné si přečíst návod k obsluze a porozumět pokynům v něm uvedeným



Provádějte údržbu bezpečnostních zařízení



NEBEZPEČÍ - Udržujte kolemjdoucí v dostatečné vzdálenosti od čepelí.



Při couvání se dívejte za sebe



NEBEZPEČÍ - Odmrštěné předměty



Garantovaná hladina akustického výkonu. Podle směrnice Evropské unie.



Odpadní elektrické výrobky se nesmí likvidovat s domovním odpadem. Odevzdejte je do autorizovaného recyklačního střediska.



UPOZORNĚNÍ - Nedívejte se upřeně do provozního světla.



Tento výrobek je v souladu s platnými předpisy ve Spojeném království.

kPa	Kilopascal	Ot/min	Otáčky za minutu
V	Volt	m	Metry
palce	Palec	cm	Centimetry
Nm	Newtonmetr	mm	Milimetry
°C	Celsius	kg	Kilogram
km/h	Kilometry za hodinu	IPX4	Stupeň ochrany před vniknutím

SYMBOLY V TOMTO NÁVODU



Tyto informace je třeba zaznamenat



Uvedená akce se zastaví

TECHNICKÉ ÚDAJE

Napětí	56 V	
Velikost podvozku	98 cm	
Velikost kola	Přední strana	15 x 6 - 6 palců
	Zadní panel	18 x 7,5 - 8 palců
Tlak v pneumatikách za studena	Přední strana	96,5 kPa
	Zadní panel	170 kPa
Rychlost čepelí (ot/min)	Do 3000	
Maximální rychlost jízdy	Dopředu	Do 9,6 km/h
	Couvání	Do 4,8 km/h
Nastavení výšky sekání (12 poloh)	25 - 100 mm	
Rozsah teploty nabíjení	5 °C - 40 °C	
Provozní teplota	0 °C - 40 °C	
Skladovací teplota	- 20 °C - 70 °C	
Hmotnost (bez akumulátoru)	220 kg	
Měřená hladina akustického výkonu L_{WA}	97,7 dB(A) K=1,75 dB(A)	
Hladina akustického tlaku na sluch obsluhy L_{PA}	83,6 dB(A) K=3 dB(A)	
Zaručená úroveň akustického výkonu L_{WA} (podle 2000/14/ES)	100 dB(A)	
Vibrace a_n	Ruka	0,24 m/s ² K=1,5 m/s ²
	Tělo	0,18 m/s ² K=1,5 m/s ²

- Celková deklarovaná hodnota vibrací byla naměřena podle standardní zkušební metody a lze ji použít ke srovnání s jiným nářadím;
- Celkovou deklarovanou hodnotu vibrací lze použít také k předběžnému stanovení expozičních limitů.

POZNÁMKA: Emise vibrací při konkrétním použití elektrického nářadí se mohou lišit od deklarované hodnoty, při které se nářadí používá; z důvodu ochrany provozovatele by měl uživatel ve skutečných pracovních podmínkách nosit rukavice a chrániče sluchu.

DOPORUČENÉ PŘÍSLUŠENSTVÍ

VAROVÁNÍ: Používejte pouze příslušenství uvedené níže. Použití příslušenství, které nespĺňuje specifikace původního zařízení, může vést k nesprávnému výkonu a ohrožení bezpečnosti.

NÁZEV DÍLU	ČÍSLO MODELU
Sada čepelí	AB3801TD
Mulčovací zásuvka	AMP3800T

POPIS

SEZNAMTE SE S TRAKTOREM (Obr. A1)

- Sedačka
- Držáky na šálek
- Zadní kolo (hnací kolo) (x2)
- Mycí otvor (x2)
- Podvozek
- Protiskalповací kolečko (x2)
- Přední kolo (x2)
- Přední nárazník
- Pedál parkovací brzdy
- LED světlo (x2)
- Pohonná jednotka
- Úložný prostor
- Páčka zajištění parkovací brzdy
- Volant

CZ

15. Páka pro nastavení polohy sedadla
16. Vak na trávu
17. Nabíjecí port
18. USB port
19. Úložný koš
20. Plynový pedál
21. Páka pro nastavení výšky podvozku
22. Vyklápěcí páčka
23. Rukojeť
24. Kontrolka stavu traktoru
25. Tlačítko pro nastavení rychlosti čepelí
26. Tlačítko SEČENÍ PŘI COUVÁNÍ
27. Tlačítko Start/Stop
28. Páka ovládání směru
29. Bezpečnostní klíč
30. Vypínač napájení
31. Tlačítko CCS
32. Tlačítko LED světla / tlačítko Bluetooth
33. Tlačítko pro nastavení rychlosti jízdy
34. Tlačítko pro uvolnění krytu pohonné jednotky
35. Kryt pohonné jednotky
36. Napájecí jednotka se šesti přihrádkami pro akumulátory
37. Tlačítko pro uvolnění akumulátoru

CZ

SEZNAMTE SE S LCD OBRAZOVKOU (Obr. A2)

Další informace o symbolech a kontrolkách na LCD obrazovce naleznete v části „STAV TRAKTORU“ a „CHYBOVÉ KÓDY“.

1. Symbol CCS
2. Kontrolka stavu bezpečnostního zařízení
3. Ikona SEČENÍ PŘI COUVÁNÍ VYPNUTO
4. Ikona pohonu
5. Ikona couvání
6. Ikona bezpečnostního klíče
7. Ikona LED světel
8. Ikona Bluetooth
9. Ukazatel rychlosti čepelí
10. Počítadlo hodin
11. Palivoměr
12. Ikona teploty
13. Výstražná ikona (přetížení/nízký výkon)
14. Ikona prázdné přihrádky pro akumulátor
15. Ikona obsazené přihrádky na akumulátor
16. Kontrolka chybového kódu
17. Kontrolka zatížení
18. Kontrolka rychlosti pojezdu
19. Ikona plného vaku
20. Ikona chybějícího vaku

VYBALENÍ

POZNÁMKA: Obalový materiál nevyhazujte, dokud výrobek pečlivě neprohlédnete a nebudete si jisti jeho uspokojivým provozem. Pokud nejsou na stroji namontovány díly uvedené v obsahu balení, neprodleně se obraťte na servis EGO.

POZNÁMKA: Kromě nástrojů uvedených v níže uvedeném obsahu balení jsou všechny ostatní nástroje uvedené v příručkách pouze doporučené, avšak nejsou součástí dodávky.

OBSAH BALENÍ (Obr. B)

B-1	Elektrický zahradní traktor	B-2	Sedadlo
B-3	Volant	B-4	Prachová krytka
B-5	Univerzální klíče	B-6	Nástrčný klíč 18 mm
B-7	Krokové šrouby (1 pro zálohu)	B-8	Matice M8 (1 pro zálohu)
B-9	Matice M12 (1 pro zálohu)	B-10	Podložky (1 pro zálohu)
B-11	Bezpečnostní klíč	B-12	Rychlospojka mycího otvoru
B-13	Návod k obsluze	B-14	Vak na trávu (se dvěma sadami šroubů a matic pro boční držáky)
B-15	Držák ve tvaru U	B-16	Boční držák
B-17	Vyklápěcí páčka	B-18	Levý a pravý držák vaku
B-19	Příčná tyč	B-20	Šroub M8X40
B-21	Šroub M8X25	B-22	Matice M8

MONTÁŽ

MONTÁŽ VOLANTU (Obr. C1)

C1-1	Sloupek řízení	C1-2	Volant
C1-3	Středová tyč	C1-4	Podložka
C1-5	Matice	C1-6	Nástrčný klíč 18 mm
C1-7	Protiprachový kryt		

INSTALACE SEDADLA (Obr. C2)

VAROVÁNÍ: Bezpečnostní blokovací systém nesmí být odpojen nebo přemostěn. V opačném případě by mohlo dojít k neočekávanému spuštění traktoru a následnému zranění osob.

C2-1	Sedadlo	C2-2	Matice (M8)
C2-3	Krokový šroub	C2-4	Zdířka
C2-5	Zástrčka		

INSTALACE VAKU NA TRÁVU (Obr. C3 - C8)

C3-1	Držák ve tvaru U	C3-2	Vak
C3-2	4 sady šroubů a matic (M8 x 40)	C3-4	Univerzální klíč
C4-1	Boční držáky	C4-2	4 sady šroubů a matic (M8 x 40)
C4-3	Univerzální klíč	C5-1	Vyklápěcí páčka
C5-2	1 sada šroubů a matic (M8 x 40)	C5-3	Univerzální klíč
C6-1	Podpěrné držáky vaku	C6-2	4 sady šroubů a matic (M8 x 25)
C6-3	Univerzální klíče	C7-1	Příčná tyč
C7-2	2 matice (M8)	C7-3	Univerzální klíč

NASTAVENÍ

PŘED NASTAVENÍM (Obr. D1)

NASTAVENÍ VÝŠKY ŽACÍHO PODVOZKU (Obr. D2)

NASTAVENÍ PROTISKALPOVACÍCH KOLEČEK (Obr. D3 - D6)

D3-1	Protiskalповací kolečka	D5-1	Matice
D5-2	Šroub s okem	D6-1	Označení výšky podvozku

NASTAVENÍ SEDADLA (Obr. D7)

D7-1	Páka pro nastavení polohy sedadla
------	-----------------------------------

OBSLUHA

PŘED PROVOZEM (Obr. E1)

NASTAVENÍ PARKOVACÍ BRZDY (Obr. E2)

E2-1	Poloha parkovací brzdy	E2-2	Uvolněná poloha
------	------------------------	------	-----------------

▲ VAROVÁNÍ: PEDÁL PARKOVACÍ BRZDY NEMŮŽE ZPOMAŽIT RYCHLOST JÍZDY. NIKDY SE NEPOKOUŠEJTE BĚHEM JÍZDY SEŠLÁPNOUT PEDÁL PARKOVACÍ BRZDY PRO SNÍŽENÍ RYCHLOSTI JÍZDY. POKUD JE PEDÁL PARKOVACÍ BRZDY SEŠLÁPNUTÝ, ALE NENÍ ZAŘAZEN V POLOZE PARKOVACÍ BRZDY, ELEKTRICKÁ BRZDA JIŽ NEBUDE ÚČINNÁ A TRAKTOR SE PŘESTANE POHYBOVAT NA ROVNÉM POVRCHU. KDYŽ SE TO STANE NA SVAHU, MŮŽE SE TRAKTOR PO UVOLNĚNÍ PEDÁLU PARKOVACÍ BRZDY SKLUZNOT PO SVAHU.

▲ VAROVÁNÍ: VYTÁHNĚTE PÁČKU ZAJIŠTĚNÍ PARKOVACÍ BRZDY A OKAMŽITĚ SEŠLÁPNĚTE PEDÁL PARKOVACÍ BRZDY, ABYSTE JI V PŘÍPADĚ NOUZOVÉ SITUACE ZAŘADILI DO POLOHY PARKOVACÍ BRZDY, TRAKTOR SE OKAMŽITĚ ZASTAVÍ A NEBUDE SJÍŽDĚT ZE SVAHU.

PŘIPOJENÍ / ODPOJENÍ AKUMULÁTORU (Obr. E3 - E6)

Ke spuštění tohoto traktoru jsou zapotřebí akumulátory EGO o celkové kapacitě 15 Ah (2 x BA4200/BA4200T) nebo vyšší. Pro dosažení nejlepšího výkonu doporučujeme používat akumulátory EGO s celkovou kapacitou 30 Ah nebo vyšší.

E3-1	Tlačítko pojistky krytu	E5-1	Tlačítko pro uvolnění akumulátoru
------	-------------------------	------	-----------------------------------

NABÍJENÍ TRAKTORU

Používejte pouze doporučené akumulátory a nabíječky.

- Nabíjejte akumulátory samostatně (obr. E7).

POZNÁMKA: Podrobné pokyny naleznete v příslušných příručkách k akumulátorům a nabíječkám.

- Nabíjejte akumulátory přes nabíjecí port (obr. E8 - E10).

E10-1	Prachová krytka	E10-2	Nabíjecí port
-------	-----------------	-------	---------------

TESTOVÁNÍ BEZPEČNOSTNÍHO BLOKOVACÍHO SYSTÉMU

- Zkouška čepelového systému podvozku (obr. E11 - E12)
- Zkouška hnacího systému (obr. E13 - E14)

Pokud se čepelový systém podvozku a/nebo systém řízení jízdy nezastaví, jakmile je obsluha mimo sedadlo a pokud nelze určit příčinu ani po ověření, že je zástrčka a zásuvka sedadla řádně připojena, neprodleně se obraťte na zákaznické servisní středisko EGO.

KOMUNIKAČNÍ TECHNOLOGIE

Informace o kompletní nabídce připojovaných výrobků a o službách, včetně pokynů pro připojení, najdete po naskenování QR kódu níže nebo na adrese www.egopowerplus.eu/connect.



KONTROLNÍ SEZNAM PŘED POUŽITÍM

- Zajistěte, aby se v pracovním prostoru nenacházely děti, kolemjdoucí a domácí zvířata.
- Z pracovního prostoru odstraňte předměty, které by čepele traktoru mohly vymrštít.
- Vyčistěte traktor od nečistot.
- Zkontrolujte, zda nejsou uvolněné upevňovací prvky.
- Zkontrolujte, zda jsou všechny ochranné kryty na svém místě a zda správně fungují.
- Vizually zkontrolujte, zda jsou pneumatiky nahuštěné.
- Zkontrolujte funkci brzdy.
- Nastavte výšku podvozku do požadované polohy pro sečení, která je pro trávník nejvhodnější, a odpovídajícím způsobem nastavte protiskalповací kolečka.

- Upravte polohu sedadla a ujistěte se, že dosáhnete na oba pedály.
- Zkontrolujte úroveň nabití akumulátoru.
- Otestujte bezpečnostní blokovací systém.
- Ujistěte se, že je vak na trávu správně nainstalován.

STARTOVÁNÍ TRAKTORU (Obr. E15 - E16)

VAROVÁNÍ: Vyvarujte se náhlých rozjezdů, zastavení a otáčení, jakož i nadměrné rychlosti, zejména pokud se s traktorem učíte pracovat poprvé. Traktor se může rychle roztočit, což může způsobit ztrátu kontroly a vážné zranění a/nebo škody.

VAROVÁNÍ: Před spuštěním traktoru zkontrolujte a ujistěte se, že se čepele po stlačení vypínače napájení směrem dolů do 5 s odpojí. Pokud se čepele nezastaví, traktor nepoužívejte a okamžitě kontaktujte zákaznický servis EGO.

POZNÁMKA:

- Pokud je pedál parkovací brzdy nastaven do polohy parkovací brzdy, stačí před jízdou s traktorem stisknout tlačítko start/stop na 3 sekundy, aby se rozsvítila LCD obrazovka, a poté pedál parkovací brzdy uvolnit.
- Žací čepele lze spustit kdykoli, jakmile je LCD obrazovka plně rozsvícená a páka ovládání směru není zatažena směrem dozadu ve směru „R“. Chcete-li zapnout čepele při jízdě traktoru couváním, přečtěte si část „ZAPNUTÍ ČEPELÍ PŘI COUVÁNÍ“ v tomto návodu.

POZNÁMKA: Podle obr. E17 získáte nejnižší rychlost jízdy, dokud nebudete plně schopni ovládat traktor ve všech situacích.

Elektrický zahradní traktor si nepamatuje rychlost jízdy a nastavení rychlosti čepelí. Rychlost jízdy a rychlost čepelí se vrátí na úroveň 2 pokaždé, když se traktor vypne.

Nastavení rychlosti jízdy (obr. E17)

Nastavení rychlosti čepelí (obr. E18)

POZNÁMKA: V „Úrovní 3“ stisknete znovu tlačítko pro nastavení rychlosti čepelí a rychlost čepelí se vrátí na předchozí rychlost.

LED světla (obr. E19)

- LED světlomety lze zapínat a vypínat spínačem LED světel.

USB port

POZNÁMKA: Port USB zajišťuje nabíjecí napětí 5 V= při kombinovaném odběru až 1,5 A a je napájen pouze při spuštění traktoru.

ZASTAVENÍ TRAKTORU (Obr. E20)

VAROVÁNÍ: Vždy nastavte pedál parkovací brzdy do polohy parkovací brzdy, když traktor zastaví jízdu na svahu, jinak může traktor sklouznout ze svahu, což může způsobit vážné poškození traktoru nebo zranění osob!

POZNÁMKA: V situaci, kdy je pedál parkovací brzdy nastaven do polohy parkovací brzdy a obsluha je mimo sedadlo, ale akumulátory nejsou vyjmuty:

- V případě, že je LCD obrazovka vypnutá, kontrolky akumulátoru, tlačítko start/stop a tlačítko CCS zůstanou svítit po dobu 1 hodiny.
- V případě, že se na LCD obrazovce zobrazí „palivoměr“ nebo uživatelské rozhraní, traktor se po 1 hodině automaticky vypne.

Režim nízkého stavu akumulátoru

Když se nabití akumulátoru kriticky sníží, přejde traktor do režimu nízkého stavu akumulátoru, aby zachoval dostatek energie pro návrat do nabíjecí oblasti.

- Čepele se přepnou na nízkou rychlost otáčení, při které lze posekat jen velmi malé množství trávy. Při setkání vysoké a husté trávy se čepele přestanou otáčet. Zvukový indikátor se bude s přestávkami ozývat (pípání).
- Kontrolka stavu traktoru bude blikat červeně každou sekundu, bude blikat jak výstražná ikona (nízký výkon), tak ikona každé obsazené příhrádky na akumulátor.

Obsluha by měla:

- Vypnout motory čepelí stisknutím vypínače napájení směrem dolů. Zvukový indikátor se přestane ozývat, jakmile se motory čepelí zastaví.
- Přestat pracovat a co nejdříve se přesunout do nabíjecího prostoru. Maximální vzdálenost, kterou může traktor ujet, je 1000 m.

Když je akumulátor téměř vybitý, bliká každou půlvešinu výstražná ikona (nízký výkon) i ikona každé obsazené příhrádky na akumulátor. Traktor okamžitě přestane fungovat. Obsluha musí traktor dopravit na místo nabíjení.

POZNÁMKA: Pokud je nutné traktor manuálně odlačit, ujistěte se, že jsou akumulátory odpojeny od traktoru a pedál parkovací brzdy je uvolněn z brzděné polohy.

JÍZDA S TRAKTOREM (Obr. E21)

NEBEZPEČÍ: Nepřibližujte se k příkopům, srázům nebo vodě na vzdálenost alespoň dvou šířek sečení. Přední kola se mohou při zastavení traktoru i se zataženou brzdou otáčet a způsobit přejetí traktoru přes okraj nebo do vody s následkem smrti nebo vážného zranění osob.

VAROVÁNÍ: Nejezděte s traktorem na veřejných komunikacích.

VAROVÁNÍ: Pokud dojde k zablokování nebo k nárazu na cizí předmět, zastavte motory a vyjměte akumulátory. Odstraňte posekanou trávu, listí, nečistoty a další nahromaděné nečistoty; před opětovným spuštěním a provozem traktoru důkladně zkontrolujte, zda není poškozen, a poškození opravte.

POZNÁMKA:

- Během jízdy, když opustíte sedadlo, kontrolka stavu traktoru zhasne. Při opětovném rozjezdu se posadíte zpět na sedadlo a úplně sešlápněte pedál parkovací brzdy, aby se kontrolka stavu traktoru rozsvítila zeleně.
- Při přepínání mezi vpřed a vzad během jízdy přesuňte páku ovládání směru přímo z jednoho konce na druhý bez zastavení v neutrální poloze, jinak se traktor může zastavit.


POUŽÍVÁNÍ TEMPOMATU (CCS)

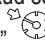

Aktivace (spuštění) tempomatu (CCS) (obr. E22)

POZNÁMKA: Úroveň rychlosti jízdy zobrazená na LCD obrazovce nemusí přesně odpovídat skutečné rychlosti jízdy traktoru v režimu tempomatu. Stisknutím tlačítka pro nastavení rychlosti „obnovíte“ úroveň rychlosti jízdy na LCD obrazovce.

Chcete-li zastavit (ukončit) tempomat (CCS), můžete zvolit jeden ze tří způsobů:

- Sešlápněte pedál plynu až na doraz a pokračujte v sešlápnutí. Funkce CCS se zastaví a traktor bude pokračovat v jízdě.
- Lehce sešlápněte plynový pedál a poté jej uvolněte. Traktor a funkce CCS se zastaví.
- Stiskněte tlačítko CCS. Traktor a funkce CCS se zastaví.

POZNÁMKA: Když je CCS zastaveno, ikona „“ zmizí z LCD obrazovky a zazní dvakrát pípnutí.

POZNÁMKA: Pokud sešlápněte pedál parkovací brzdy, traktor se zastaví, ale ikona „“ bude na LCD obrazovce blikat, což znamená, že CCS je v pohotovostním režimu. V takovém případě uvolněte pedál parkovací brzdy a stiskněte tlačítko CCS. Traktor automaticky obnoví jízdu a ikona „“ přestane blikat.

ZAPNUTÍ ČEPELÍ PŘI COUVÁNÍ

POZNÁMKA: Sečení při couvání se nedoporučuje.

VAROVÁNÍ: Během sečení při couvání buďte mimořádně opatrní. Před a během sečení při couvání se vždy ujistěte, že do pracovní oblasti nevstupují žádné osoby, zejména malé děti.

VAROVÁNÍ: Při obsluze traktoru připojeného k soupravě s vakem by mohlo dojít ke zhoršení výhledu obsluhy. Před a během sečení při couvání je třeba vždy dbát na maximální opatrnost a obezřetnost s okolím.



Aktivace (spuštění) SEČENÍ PŘI COUVÁNÍ (E23)

Chcete-li zastavit (ukončit) SEČENÍ PŘI COUVÁNÍ, můžete si vybrat jeden ze čtyř způsobů:

- Stiskněte jednu tlačítko SEČENÍ PŘI COUVÁNÍ.
- Zvedněte se ze sedadla traktoru.
- Stisknutím tlačítka start/stop na 3 sekundy vypnete LCD obrazovku.
- Chcete-li traktor vypnout, vyjměte bezpečnostní klíč nebo vyjměte akumulátor.

POZNÁMKA: Když je SEČENÍ PŘI COUVÁNÍ zastaveno, na LCD obrazovce se rozsvítí ikona „“.

VYPRÁZDNĚNÍ VAKU NA TRÁVU (Obr. E24)

POZNÁMKA: Když na LCD obrazovce bliká ikona „“, vak na trávu je plný. Po vyprázdnění vaku zmizí z LCD obrazovky ikona „“.

POZNÁMKA: Vak na trávu by měl být řádně nasazen na traktor, v opačném případě může traktor jet, ale motory čepelí nelze zapnout.

ÚDRŽBA

VAROVÁNÍ: Vždy používejte ochranu očí s bočními kryty. Pokud tak neučiníte, může dojít k vymrštění předmětu do očí, což může mít za následek vážné zranění.

VAROVÁNÍ: Při údržbě čepelí traktoru vždy chraňte ruce s pomocí pevných rukavic nebo zabalením břitů čepelí do hadru nebo jiného materiálu. Při servisu nebo přepravě traktoru vždy vyjměte bezpečnostní klíč a akumulátory.

DOPORUČENÉ PLÁNY ÚDRŽBY

Interval údržby	Postup údržby
Před každým použitím nebo denně	<ul style="list-style-type: none"> ▪ Zkontrolujte bezpečnostní blokovací systém. ▪ Vizuálně zkontrolujte, zda jsou pneumatiky nahuštěné. ▪ Zkontrolujte čepel. ▪ Zkontrolujte celý výrobek, zda na něm nejsou poškozené, chybějící nebo uvolněné díly, jako je boční výstupní žlab, šrouby, matice, krytky atd. a ujistěte se, že jsou všechny kryty na svém místě a správně fungují. ▪ Zkontrolujte a ujistěte se, že lze pedál plynu řádně sešlápnout a uvolnit. ▪ Zkontrolujte tlumič volantu. Volantem je třeba otáčet s určitým odporem.
Po každém použití	<ul style="list-style-type: none"> ▪ Vyčistěte traktor a umyjte podvozek.
Každých 25 hodin	<ul style="list-style-type: none"> ▪ Zkontrolujte tlak v pneumatikách.
Každých 100 hodin	<ul style="list-style-type: none"> ▪ Zkontrolujte zadní kola a ujistěte se, že jsou všechny matice upevněny doporučeným utahovacím momentem (101-103 Nm). ▪ Zkontrolujte přední kola a ujistěte se, že je matice utažena doporučeným momentem (90-92 Nm).
Každých 200 hodin	<ul style="list-style-type: none"> ▪ Zkontrolujte přední kola a ujistěte se, že se volně otáčejí.
Každého půl roku	<ul style="list-style-type: none"> ▪ Zkontrolujte pedál parkovací brzdy. Vyjměte akumulátor z traktoru, poté zatáhněte za páčku zajištění parkovací brzdy a sešlápněte pedál parkovací brzdy pro nastavení parkovací brzdy. Ručně zatlačte traktor dopředu, abyste zjistili, zda lze traktorem pohybovat bez otáčení zadních kol. Pokud se traktor pohne a zadní kola se mezitím otočí, kontaktujte zákaznické centrum EGO pro opravu.

Před uskladněním	<ul style="list-style-type: none"> ▪ Vyměňte akumulátory z traktoru. ▪ Vyměňte bezpečnostní klíč z traktoru. ▪ Proveďte všechny výše uvedené postupy údržby a traktor důkladně vyčistěte. ▪ Před uskladněním zkontrolujte celý výrobek, zda není poškozen, nechybí nebo není uvolněný žádný díl, a příslušné díly vyměňte nebo utáhněte.
Ročně	<ul style="list-style-type: none"> ▪ Promažte pouzdra hřídel předních kol.

CELKOVÁ ÚDRŽBA

Vyprázdnění vaku (obr. F1 - F3)

Čištění skříně traktoru (obr. F4)

Použití mycího portu k čištění podvozku traktoru (obr. F5 - F6)

F5-1	Mycí otvor	F5-2	Rychlospojka mycího otvoru
F5-3	Zahradní hadice		

GZ **POZNÁMKA:** Po dokončení čištění traktor zcela vypněte a poté odpojte zahradní hadici a rychlospojku.

ÚDRŽBA PODVOZKU TRAKTORU A ŽACÍCH ČEPELÍ

Příprava (obr. G1)

Demontáž podvozku (obr. G2 – G3)

G2-1	Kabel motoru	G2-2	Závlačka
G2-3	Závěsný mechanismus		

Výměna žacích čepelí (obr. G4 – G6)

G4-1	Stabilizátor	G5-1	Šroub
G5-2	Podložka	G5-3	Čepel
G5-4	Příruba	G5-5	Hřídel motoru

Vyrovnání podvozku

- a. Kdy vyrovnat (obr. G7 / obr. G8 / obr. G9)
- b. Před vyrovnáním
 - Kontrola tlaku ve studených pneumatikách (obr. G10)
 - Zkontrolujte žací čepele. V případě potřeby sejměte a vyměňte opotřeбенé, prasklé a/nebo ohnuté čepele.
- c. Příprava na vyrovnání (obr. G11)
- d. Jak vyrovnat
 - Nastavení do stran (obr. G12)
 - Nastavení zepředu dozadu (obr. G13)

SKLADOVÁNÍ A PŘEPRAVA

PŘEPRAVA TRAKTORU (Obr. H1 - H5)

H2-1	Rampy	H2-2	Popruhy
------	-------	------	---------

POZNÁMKA: Traktor podle potřeby zajistěte pomocí popruhů nebo lan s cílem zamezit pohybu během přepravy.

SKLADOVÁNÍ (Obr. I1 - I2)

POZNÁMKA: Vyměňte a uložte akumulátory samostatně, viz příslušné návody.

Před uskladněním traktor vyčistěte a zkontrolujte, viz část „CELKOVÁ ÚDRŽBA“ a „DOPORUČENÉ PLÁNY ÚDRŽBY“.

Ochrana životního prostředí





OEEZ (Odpadní elektrická a elektronická zařízení) Elektrické zařízení, použité akumulátory a nabíječku nevyhazujte do domovního odpadu! Tento výrobek předejte autorizované recyklační společnosti ke tříděnému sběru. Elektrické nářadí musí být vráceno do zařízení pro ekologickou recyklaci.

ODSTRAŇOVÁNÍ ZÁVAD

PROBLÉM	PŘÍČINA	ŘEŠENÍ
Elektrický zahradní traktor se při sešlápnutí plynového pedálu nerozjede.	<ul style="list-style-type: none"> Kombinovaný počet Ah vložených akumulátorů nesplňuje požadavek. 	<ul style="list-style-type: none"> Abyste mohli tento traktor nastartovat, použijte dostatek akumulátorů EGO podle pokynů v části „PŘIPOJENÍ / ODDPOJENÍ AKUMULÁTORU“ v tomto návodu.
	<ul style="list-style-type: none"> Pedál parkovací brzdy je nastaven do brzdě polohy. 	<ul style="list-style-type: none"> Úplně sešlápněte pedál parkovací brzdy a uvolněte jej z brzdě polohy.
	<ul style="list-style-type: none"> Kontrolka stavu traktoru nesvítil zeleně. 	<ul style="list-style-type: none"> Sešlápněte pedál parkovací brzdy a poté jej uvolněte. Kontrolka stavu traktoru bude svítit zeleně, což znamená, že je traktor připraven ke spuštění.
	<ul style="list-style-type: none"> Obsluha nesedí na sedadle. 	<ul style="list-style-type: none"> Traktor lze ovládat pouze tehdy, když obsluha správně sedí na sedadle.
	<ul style="list-style-type: none"> Bezpečnostní blokovací systém sedadla není správně připojen. 	<ul style="list-style-type: none"> Vyjměte akumulátory z traktoru a zvedněte opěradlo sedadla, abyste se ujistili, že je zástrčka kabelu správně zapojena do zásuvky na spodní straně sedadla (viz kapitola „INSTALACE SEDADLA“). Podle pokynů v části „STARTOVÁNÍ TRAKTORU“ restartujte traktor, abyste zjistili, zda lze traktor nastartovat. V opačném případě se obraťte na zákaznické centrum EGO a požádejte o opravu.
	<ul style="list-style-type: none"> Za extrémně chladného počasí nemusí dojít k úspěšnému spuštění funkce pohonu z důvodu ochrany proti nízké teplotě. 	<ul style="list-style-type: none"> Traktor a akumulátory vždy skladujte v teplém prostředí. Po zahřátí traktor znovu spusťte. Neprovádějte opakované pokusy za extrémně chladného počasí, které by mohlo stroj poškodit.
	<ul style="list-style-type: none"> Dráha pohybu plynového pedálu je zanesena nečistotami. 	<ul style="list-style-type: none"> Zkontrolujte a odstraňte nečistoty
	<ul style="list-style-type: none"> Porucha mechanických nebo elektronických součástí plynového pedálu. Páka ovládání směru je umístěna v neutrální poloze. 	<ul style="list-style-type: none"> Pro opravu kontaktujte zákaznický servis společnosti EGO. Zatlačte/zatáhněte za páku ovládání směru ve směru „D“ nebo „R“.
Elektrický zahradní traktor přestane jezdit.	<ul style="list-style-type: none"> Při přepínání mezi vpřed a vzad během jízdy zůstává páka ovládání směru dlouhou dobu v neutrální poloze. 	<ul style="list-style-type: none"> Uvolněte pedál plynu a poté jej znovu sešlápněte.
	<ul style="list-style-type: none"> Porucha elektronických součástí plynového pedálu. 	<ul style="list-style-type: none"> Pro opravu kontaktujte zákaznický servis společnosti EGO.
	<ul style="list-style-type: none"> Při jízdě v náročném terénu se odpojil bezpečnostní blokovací systém sedadla. 	<ul style="list-style-type: none"> Vyjměte akumulátory z traktoru a zvedněte opěradlo sedadla, abyste se ujistili, že je zástrčka kabelu správně zapojena do zásuvky na spodní straně sedadla (viz kapitola „INSTALACE SEDADLA“). Podle pokynů v části „STARTOVÁNÍ TRAKTORU“ restartujte traktor, abyste zjistili, zda lze traktor nastartovat. Pro opravu kontaktujte zákaznický servis společnosti EGO.
	<ul style="list-style-type: none"> Hmotnost obsluhy není na sedadle rozložena rovnoměrně. Hmotnost obsluhy na sedadle musí být nejméně 20 kg, aby bezpečnostní blokovací systém sedadla správně fungoval. 	<ol style="list-style-type: none"> Řádně se posaďte na sedadlo, plně sešlápněte pedál parkovací brzdy a uvolněte jej, traktor je připraven k jízdě. V případě potřeby akumulátory odpojte a znovu připojte.
	<ul style="list-style-type: none"> Pokud je pedál parkovací brzdy dostatečně sešlápnut, ale není zajištěn v parkovací poloze, traktor se zastaví. 	<ul style="list-style-type: none"> Pro restartování traktoru postupujte podle pokynů v části „STARTOVÁNÍ TRAKTORU“.

PROBLÉM	PŘÍČINA	ŘEŠENÍ
Elektrický zahradní traktor nespustí čepel, když je aktivován vypínač napájení. Bliká ikona vypínače napájení.	<ul style="list-style-type: none"> Kombinovaný počet Ah vložených akumulátorů nespĺňuje požadavek. 	<ul style="list-style-type: none"> Abyste mohli tento traktor nastartovat, použijte dostatek akumulátorů EGO podle pokynů v části „PŘIPOJENÍ / ODDPOJENÍ AKUMULÁTORU“ v tomto návodu.
	<ul style="list-style-type: none"> Vypínač napájení nebyl při posledním vypnutí traktoru stisknutý. 	<ul style="list-style-type: none"> Stisknutím vypínače napájení dolů a poté nahoru restartujte motory čepelí.
	<ul style="list-style-type: none"> Traktor je přetížen v okamžiku, kdy se čepel začínají otáčet, což spustí samočinnou ochranu motoru čepelí. 	<ul style="list-style-type: none"> Sečení trávy zahajte nejprve při nižších rychlostech čepelí a nezvyšujte rychlost, dokud se čepel úspěšně neroztočí.
	<ul style="list-style-type: none"> Za extrémně chladného počasí nemusí dojít k úspěšnému spuštění motoru čepelí v důsledku ochrany proti nízké teplotě. 	<ul style="list-style-type: none"> Traktor a akumulátory vždy skladujte v teplém prostředí. Po zahřátí traktor znovu spusťte. Neprovádějte opakované pokusy za extrémně chladného počasí, které by mohlo stroj poškodit.
	<ul style="list-style-type: none"> Čepel zasahuje do deformovaného podvozku traktoru. 	<ul style="list-style-type: none"> Pro opravu kontaktujte zákaznický servis společnosti EGO.
	<ul style="list-style-type: none"> Vak na trávu není správně nainstalován. 	<ul style="list-style-type: none"> Nainstalujte vak na trávu správně podle části „INSTALACE VAKU NA TRÁVU“ v návodu.
Během sekání trávy přestanou čepel pracovat.	<ul style="list-style-type: none"> Traktor je přetížený. 	<ul style="list-style-type: none"> Zvyšte výšku sečení podvozku nebo snižte rychlost jízdy, čímž snížíte zatížení traktoru.
	<ul style="list-style-type: none"> Podvozek je zanesený trávou a nečistotami. 	<ul style="list-style-type: none"> Vyčistěte podvozek a zkontrolujte, zda se mohou čepel volně pohybovat.
	<ul style="list-style-type: none"> Traktor je přehřátý. 	<ul style="list-style-type: none"> Snižte zatížení traktoru zvýšením výšky sečení podvozku nebo snížením rychlosti čepelí / pohonu a nechte traktor vychladnout.
	<ul style="list-style-type: none"> Akumulátory v prostoru pro akumulátory traktoru jsou přehřáté, což má za následek, že kombinovaná hodnota Ah všech vložených akumulátorů nespĺňuje požadavek. 	<ol style="list-style-type: none"> Traktor může pokračovat v práci, pokud kombinovaná kapacita akumulátorů Ah, s výjimkou přehřátého akumulátoru, splňuje požadavek. Jakmile se přehřátý akumulátor vrátí na normální teplotu, neprodleně se připojí k napájení traktoru. Pokud kombinovaná kapacita akumulátorů nespĺňuje požadavek, traktor nebude fungovat, dokud do volných přihrádek pro akumulátory nevložíte další akumulátory. Při opětovném spuštění provozu snižte zatížení traktoru zvýšením výšky sečení podvozku nebo snížením rychlosti sečení.
	<ul style="list-style-type: none"> Traktor je v režimu nízkého stavu akumulátoru. 	<ul style="list-style-type: none"> Pokud je traktor v režimu nízkého stavu akumulátoru, čepel se automaticky přepnou do nízkých otáček a přestanou sekat. Obsluha by měla přestat pracovat a co nejdříve přejet do prostoru pro nabíjení akumulátoru.
	<ul style="list-style-type: none"> Traktor zasáhl cizí předmět, což má za následek samočinné spuštění ochrany motoru. 	<ul style="list-style-type: none"> Stisknutím vypínače napájení dolů a poté nahoru restartujte motory čepelí.
	<ul style="list-style-type: none"> Traktor se pohybuje vzad a na LCD obrazovce svítí ikona SEČENÍ PŘI COUVÁNÍ VYPNUTO. 	<ul style="list-style-type: none"> Stiskněte vypínač napájení dolů a restartujte motory čepelí podle pokynů v části „Aktivace (spuštění) SEČENÍ PŘI COUVÁNÍ“.
Zvukový indikátor zní dál.	<ul style="list-style-type: none"> Traktor je v režimu nízkého stavu akumulátoru a nedošlo k vypnutí čepelí. 	<ul style="list-style-type: none"> Stisknutím vypínače napájení dolů vypněte motory čepelí. Po vypnutí motorů čepelí přestane znít zvukový indikátor.
	<ul style="list-style-type: none"> Traktor se zastaví při jízdě na svahu a operátor je mimo sedadlo, aniž by nastavil pedál parkovací brzdy do brzděné polohy. 	<ul style="list-style-type: none"> Před opuštěním traktoru na svahu nastavte pedál parkovací brzdy do polohy parkovací brzdy.

PROBLÉM	PŘÍČINA	ŘEŠENÍ
Kontrolky napájení na akumulátorech stále svítí, když je traktor vypnutý.	<ul style="list-style-type: none"> Když je traktor vypnutý na rovné zemi bez vyjmutí akumulátorů z traktoru, kontrolky napájení zůstanou po určitou dobu svítit. 	<ul style="list-style-type: none"> Není zapotřebí žádného úkonu. Když se traktor po určité době vypne, kontrolky akumulátoru zhasnou. Konkrétní čas naleznete v části „ZASTAVENÍ TRAKTORU“
	<ul style="list-style-type: none"> Když je traktor vypnutý na svahu bez zatažení parkovací brzdy, kontrolky napájení na akumulátorech zůstanou svítit, dokud se akumulátor nevybije. Zvukový indikátor zní stále ve stejnou dobu. 	<ul style="list-style-type: none"> Před opuštěním traktoru na svahu nastavte pedál parkovací brzdy do polohy parkovací brzdy. V opačném případě může traktor sklouznout ze svahu.
LCD obrazovka se nerozsvítí při rozsvícení všech ikon.	<ul style="list-style-type: none"> Tlačítko start/stop není stisknuto dostatečně dlouho. 	<ol style="list-style-type: none"> Po krátkém stisknutí tlačítka start/stop se na LCD obrazovce zobrazí pouze „palivoměr“. LCD obrazovka se zapne po úplném sešlápnutí pedálu parkovací brzdy a současném stisknutí tlačítka start/stop na dostatečně dlouhou dobu.
	<ul style="list-style-type: none"> Když ikona bezpečnostního klíče „“ bliká na LCD obrazovce, bezpečnostní klíč není vložen. 	<ul style="list-style-type: none"> Vložte bezpečnostní klíč, poté úplně sešlápněte pedál parkovací brzdy a současně stiskněte tlačítko start/stop na dostatečnou dobu, aby se rozsvítila LCD obrazovka.
	<ul style="list-style-type: none"> Když ikona parkovací brzdy „“ bliká na LCD obrazovce, pedál parkovací brzdy není úplně sešlápnutý. 	<ul style="list-style-type: none"> Vložte bezpečnostní klíč, poté úplně sešlápněte pedál parkovací brzdy a současně stiskněte tlačítko start/stop na dostatečnou dobu, aby se rozsvítila LCD obrazovka.
Traktor seká nerovnoměrně, s výrazným výškovým rozdílem vpředu a vzadu.	<ul style="list-style-type: none"> Čepele jsou tupé. 	<ul style="list-style-type: none"> Žací čepele nabruste nebo vyměňte podle pokynů v tomto návodu.
	<ul style="list-style-type: none"> Čepele jsou ohnuté. 	<ul style="list-style-type: none"> Ohnuté žací čepele vyměňte podle pokynů v části „Výměna žacích čepelí“.
	<ul style="list-style-type: none"> Podvozek není vyrovnaný, což má za následek rozdílnou výšku žací čepele. 	<ul style="list-style-type: none"> Vyrovnejte podvozek podle pokynů v části „Vyrovnaní podvozku“.
Skutečná výška sečení trávy není v souladu s požadovanou výškou.	<ul style="list-style-type: none"> Matice podvozku na závěsu jsou uvolněné. 	<ul style="list-style-type: none"> Podle pokynů v části „Vyrovnaní podvozku“ proveďte správné nastavení podvozku traktoru zepředu dozadu a pevně utáhněte matice na závěsu.
	<ul style="list-style-type: none"> Podvozek je poškozen nebo značně opotřeben. 	<ul style="list-style-type: none"> Při výměně podvozku postupujte podle pokynů v části „Demontáž podvozku“.
Traktor nemulčuje správně.	<ul style="list-style-type: none"> Na spodní straně podvozku se usazuje posekaná tráva. 	<ul style="list-style-type: none"> Počkejte, až tráva před sekáním uschne.
	<ul style="list-style-type: none"> Traktor je nastaven tak, aby sekal příliš velké množství trávy najednou. 	<ul style="list-style-type: none"> Zvyšte výšku sečení podvozku.
Nadměrné vibrace.	<ul style="list-style-type: none"> Žací čepele jsou uvolněné. 	<ul style="list-style-type: none"> Utáhněte šroub čepele na doporučený utahovací moment.
	<ul style="list-style-type: none"> Čepele jsou ohnuté. 	<ul style="list-style-type: none"> Ohnuté žací čepele vyměňte podle pokynů v části „Výměna žacích čepelí“.
	<ul style="list-style-type: none"> Podvozek není vyrovnaný. 	<ul style="list-style-type: none"> Vyrovnejte podvozek traktoru podle pokynů v části „Vyrovnaní podvozku“.
	<ul style="list-style-type: none"> Matice podvozku na závěsu jsou uvolněné. 	<ul style="list-style-type: none"> Utáhněte matice na závěsu.
	<ul style="list-style-type: none"> Podvozek je nastaven na sekání příliš velkého množství trávy najednou. 	<ul style="list-style-type: none"> Zvyšte výšku sečení podvozku.

PROBLÉM	PŘÍČINA	ŘEŠENÍ
Na zemi zůstává po sečení tráva nebo zbytky trávy.	<ul style="list-style-type: none"> ▪ Když je tráva vysoká, je podvozek nastaven na sekání příliš velkého množství trávy najednou. 	<ul style="list-style-type: none"> ▪ Začněte s vysokou výškou sečení a snižujte ji, dokud nedosáhnete požadovaného výsledku sečení. Trávu vyšší než 152 mm je třeba sekat dvakrát s postupně nižší výškou sečení.
	<ul style="list-style-type: none"> ▪ Tráva je mokrá. 	<ul style="list-style-type: none"> ▪ Nesekejte, když je tráva mokrá. Počkejte, až tráva uschne.
	<ul style="list-style-type: none"> ▪ Rychlost jízdy je vysoká. 	<ul style="list-style-type: none"> ▪ Snižte rychlost jízdy.
	<ul style="list-style-type: none"> ▪ Rychlost čepelí je nízká. 	<ul style="list-style-type: none"> ▪ Otáčky čepelí zvyšujte postupně.
Krátká doba chodu traktoru s dodanými akumulátory.	<ul style="list-style-type: none"> ▪ Terén trávníku, stav trávy, nastavení výšky sečení, rychlost jízdy, rychlost čepelí atd. výrazně ovlivňují dobu provozu. 	<ul style="list-style-type: none"> ▪ Zvyšte výšku sečení podvozku a snižte rychlost čepelí, čímž snížíte zatížení při sečení.
Traktor neseče rovně.	<ul style="list-style-type: none"> ▪ Tlaky v pneumatikách pro levé a pravé kolo se liší. 	<ul style="list-style-type: none"> ▪ Zkontrolujte a upravte tlak vzduchu v obou pneumatikách zadních kol podle doporučení v části „TECHNICKÉ ÚDAJE“ v tomto návodu.
Pedál parkovací brzdy nelze uvolnit z brzděné polohy nebo se vrací zpět pomalu.	<ul style="list-style-type: none"> ▪ Dráha pojezdu pedálu parkovací brzdy je zanesená nečistotami. 	<ul style="list-style-type: none"> ▪ Zkontrolujte a odstraňte nečistoty.
Traktor nelze nabíjet přes nabíjecí port, přičemž kontrolka stavu traktoru svítí trvale červeně.	<ul style="list-style-type: none"> ▪ Zástrčka nabíječky není správně zasunuta do nabíjecího portu traktoru. 	<ul style="list-style-type: none"> ▪ Znovu připojte zástrčku nabíječky a zkontrolujte, zda lze traktor normálně nabíjet.
	<ul style="list-style-type: none"> ▪ Zásuvky nejsou pod napětím. 	<ul style="list-style-type: none"> ▪ Není zapotřebí žádného úkonu. Počkejte na obnovení napájení.
	<ul style="list-style-type: none"> ▪ Došlo k poruše nabíječky. 	<ul style="list-style-type: none"> ▪ Kontaktujte zákaznické centrum EGO a nechte nabíječku zkontrolovat anebo opravit kvalifikovaným servisním technikem.
	<ul style="list-style-type: none"> ▪ Nabíjecí port na traktoru je vadný. 	<ul style="list-style-type: none"> ▪ Pro opravu kontaktujte zákaznický servis EGO.
Doba nabíjení přes nabíjecí port traktoru je příliš dlouhá.	<ul style="list-style-type: none"> ▪ Použití adaptéru EGO ACA1000 k nabíjení vyžaduje dlouhou dobu. 	<ul style="list-style-type: none"> ▪ Pro přímé nabíjení elektrického zahradního traktoru použijte nabíječku EGO CHV1600E.
Akumulátory nelze plně nabít přes nabíjecí port traktoru.	<ul style="list-style-type: none"> ▪ Chyba firmwaru traktoru nebo akumulátoru nebo porucha nabíječky. 	<ul style="list-style-type: none"> ▪ Nabíječku resetujte tak, že ji odpojíte ze zásuvky a několik minut počkáte. Poté znovu připojte zástrčku ke zdroji napájení. Pokud se tím problém nevyřeší, zavolejte do zákaznického servisu EGO.
Traktor nelze po vyčištění spustit.	<ul style="list-style-type: none"> ▪ Nesprávné čištění, např. do elektrických součástí, obrazovky LCD apod. se dostala voda. 	<ol style="list-style-type: none"> 1. Pro správné čištění traktoru postupujte podle pokynů v části „OBECNÁ ÚDRŽBA“. 2. Pokud traktor náhodou zasáhne déšť, nechte jej na vzduchu vyschnout nebo vysušte stlačeným vzduchem.
Podvozek se rychle zanáší.	<ul style="list-style-type: none"> ▪ Podvozek nebyl po předchozím použití řádně vyčištěn. 	<ul style="list-style-type: none"> ▪ Po každém použití vyčistěte podvozek traktoru podle pokynů v části „Čištění podvozku pomocí mycího otvoru“.
Traktor snadno ztrácí trakci při stoupání do svahu.	<ul style="list-style-type: none"> ▪ Pneumatiky zadních kol jsou opotřebované. 	<ul style="list-style-type: none"> ▪ Obratě se na místní servis a vyměňte pneumatiky kol.
	<ul style="list-style-type: none"> ▪ Sečení na strmém svahu. 	<ul style="list-style-type: none"> ▪ Traktor nemá být používán k sečení svahů strmějších než požadovaný sklon.
Když traktor zastaví na svahu se sešlápnutým pedálem parkovací brzdy, může traktor sjet ze svahu.	<ul style="list-style-type: none"> ▪ Součásti brzdy jsou nadměrně opotřebované v důsledku nesprávného provozu traktoru. 	<ul style="list-style-type: none"> ▪ Pro opravu kontaktujte zákaznický servis společnosti EGO.

PROBLÉM	PŘÍČINA	ŘEŠENÍ
Při mytí podvozku nevytéká z mycího otvoru žádná voda.	<ul style="list-style-type: none"> Na mycím otvoru není namontována rychlospojka. 	<ul style="list-style-type: none"> Znovu nasadte rychlospojku mycího otvoru, dokud po silném zatlačení neuslyšíte jasné cvaknutí. Pokud to nefunguje, zavolejte zákaznický servis EGO.
Při ručním tlačení traktoru bez spuštění se ozývá neobvyklý zvuk.	<ul style="list-style-type: none"> Zvuk vychází z magnetů uvnitř hnacího motoru. 	<ul style="list-style-type: none"> Jde o normální jev a není třeba podnikat žádné kroky.
Volantem nelze otáčet.	<ul style="list-style-type: none"> Sestava volantu je zanesená nečistotami. 	<ul style="list-style-type: none"> Zkontrolujte a odstraňte nečistoty.
Traktor se při otáčení volantem neotáčí doleva/ doprava.	<ul style="list-style-type: none"> Porucha elektronických nebo mechanických součástí. 	<ul style="list-style-type: none"> Pro opravu kontaktujte zákaznický servis společnosti EGO.
Traktor se po uvolnění plynového pedálu nezastaví.	<ul style="list-style-type: none"> Zpětná dráha plynového pedálu je zanesena nečistotami. 	<ul style="list-style-type: none"> Zkontrolujte a odstraňte nečistoty.
	<ul style="list-style-type: none"> Tlačítko CCS je během jízdy neúmyslně stisknuto. Traktor je v režimu tempomatu. 	<ul style="list-style-type: none"> Zkontrolujte, zda na LCD obrazovce svítí ikona CCS, a v případě potřeby ukončete CCS. Viz kapitola „POUŽÍVÁNÍ TEMPOMATU (CCS)“.
Funkci CCS nelze aktivovat ani vypnout.	<ul style="list-style-type: none"> Tlačítko CCS není správně stisknuté. 	<ul style="list-style-type: none"> Stiskněte tlačítko CCS, dokud se na LCD obrazovce nerozsvítí ikona CCS nebo dokud nezmizí z LCD obrazovky.
Přední kola traktoru se otáčejí s abnormálním hlukem.	<ul style="list-style-type: none"> Pouzdra hřídelí předních kol vyžadují mazání. 	<ul style="list-style-type: none"> Vyjměte akumulátory a poté naplňte vstřikovací otvory tukem, dokud mazivo nepřeteče přes horní nebo spodní okraj objímek hřídele předních kol.

STAV TRAKTORU

LCD obrazovka	Popis	Kontrolka stavu traktoru	Zvuková kontrolka	Příčina	Řešení
	Ikona palivoměru	NESVÍTÍ	Ne	Udává průměrnou kapacitu nabití vložených akumulátorů.	Jedná se o normální provoz. Není zapotřebí žádného úkonu.
	Ikona počítadla hodin	NESVÍTÍ	Ne	Udává celkovou dobu jízdy traktoru v hodinách a nelze jej vynulovat.	Jedná se o normální provoz. Není zapotřebí žádného úkonu.
	Ikona indikátoru zatížení	NESVÍTÍ	Ne	Udává aktuální zatížení traktoru.	Jedná se o normální provoz. Není zapotřebí žádného úkonu.
	Na LCD obrazovce se rozsvítí ikona LED světel.	NESVÍTÍ	Ne	Světlomety se zapínají spínačem LED světel.	Jedná se o normální provoz. Není zapotřebí žádného úkonu.
	Na LCD obrazovce se rozsvítí ikona Bluetooth.	NESVÍTÍ	Ne	Traktor je připojen k mobilnímu zařízení přes Bluetooth.	Jedná se o normální provoz. Není zapotřebí žádného úkonu.
	Ikona SEČENÍ PŘI COUVÁNÍ VYPNUTO se rozsvítí na LCD obrazovce.	NESVÍTÍ	Ne	Indikuje, že čepele nelze zapnout, když se traktor pohybuje vzad.	Jedná se o normální provoz. V případě potřeby zapněte čepele při jízdě vzad podle části „ZAPNUTÍ ČEPELÍ PŘI COUVÁNÍ“ v návodu.
	Na LCD obrazovce se rozsvítí ikona pohonu.	NESVÍTÍ	Ne	Signalizuje, že traktor může být řízen nebo že jede vpřed.	Jedná se o normální provoz. Umístěte páku ovládání směru podle potřeby do polohy „D“, neutrální nebo „R“.
	Na LCD obrazovce se rozsvítí ikona couvání.	NESVÍTÍ	Ne	Signalizuje, že traktor jede dozadu.	
	Ikona jízdy a ikona couvání střídavě blikají.	NESVÍTÍ	Ne	Znamená to, že traktor nelze řídit.	
	Ikona bezpečnostního klíče se rozsvítí	NESVÍTÍ	Ne	Bezpečnostní klíč je vložen správně.	Jedná se o normální provoz. Není zapotřebí žádného úkonu.
	Ikona bezpečnostního klíče bliká, když se na LCD obrazovce zobrazí „palivoměr“.	NESVÍTÍ	Ne	Není vložený bezpečnostní klíč.	Zasuňte bezpečnostní klíč, úplně sešlápněte pedál parkovací brzdy a současně stiskněte tlačítko START/ STOP na déle než 3 sekundy, aby se traktor zapnul.
				Klíčová skříňka ovládacího panelu je rozbitá.	Pro opravu kontaktujte zákaznický servis společnosti EGO.

CZ

LCD obrazovka	Popis	Kontrolka stavu traktoru	Zvuková kontrolka	Příčina	Řešení
	Ikona parkovací brzdy bliká, když se na LCD obrazovce zobrazí „palivoměr“.	NESVÍTÍ	Ne	Pedál parkovací brzdy není sešlápnutý.	Se zasunutým bezpečnostním klíčem zcela sešlápněte pedál parkovací brzdy a současně stiskněte tlačítko START/STOP na déle než 3 sekundy, aby se traktor zapnul.
	Ikona parkovací brzdy bliká, když se na LCD obrazovce zobrazí rozhraní operátora.	NESVÍTÍ	Ne	Před sešlápnutím pedálu parkovací brzdy sešlápněte plynový pedál, aby se kontrolka stavu traktoru rozsvítila zeleně.	Traktor řádně nastartujte podle pokynů uvedených v části „ STARTOVÁNÍ TRAKTORU “.
	Svítil ikona parkovací brzdy	NESVÍTÍ	Ne	Pedál parkovací brzdy je nastaven do polohy parkovací brzdy.	Před spuštěním traktoru jej uvolněte.
	Rozsvítí se ikona snímače sedadla	NESVÍTÍ	Ne	Obsluha opustí sedadlo nebo se odpojí bezpečnostní blokovací systém sedadla.	Pokud obsluha sedí na sedadle a ikona svítí, okamžitě přestaňte s traktorem pracovat a zkontrolujte připojení sedadla. Pokud se potvrdí, že spojení sedadla s traktorem je v pořádku, obraťte se na kvalifikovaného servisního technika, který provede opravu.
	Bliká ikona vypínače napájení	NESVÍTÍ	Ne	Došlo k přerušení chodu motoru čepele za provozu a vypínač napájení není nastaven do polohy vypnuto.	Před opětovným spuštěním traktoru stiskněte vypínač napájení dolů, aby se vypnuly motory čepelí. Viz část „ ODSTRAŇOVÁNÍ ZÁVAD “ v tomto návodu.
	Ikona určité přihrádky na akumulátor bliká.	NESVÍTÍ	Ne	Určitý akumulátor je při vybíjení nadproudový.	Není zapotřebí žádného úkonu. Traktor může pokračovat v práci, pokud je kombinovaná kapacita akumulátoru alespoň 15 Ah bez započtení akumulátoru s nadměrným proudem. Jakmile se nadměrný proud akumulátoru vrátí do normálního stavu, okamžitě se připojí k napájení traktoru a ikona zmizí.
	Ikona prázdné přihrádky na akumulátor bliká.	NESVÍTÍ	Ne	Kapacita akumulátoru není dostatečná k tomu, aby traktor mohl pracovat.	Abyste mohli tento traktor nastartovat, použijte dostatek akumulátorů EGO podle pokynů v části „ PŘIPOJENÍ / ODDPOJENÍ AKUMULÁTORU “ v tomto návodu.
	Ikona teploty a ikona přesného obsazení přihrádky na akumulátor blikají současně.	NESVÍTÍ	Ne	Akumulátor v příslušné očíslované přihrádce na akumulátor je přehřátý.	<ol style="list-style-type: none"> 1. Traktor může pokračovat v práci, pokud kombinovaná kapacita akumulátoru Ah, s výjimkou přehřátého akumulátoru, splňuje požadavek. Jakmile se přehřátý akumulátor vrátí na normální teplotu, neprodleně se připojí k napájení traktoru. 2. Pokud kombinovaná kapacita akumulátorů nesplňuje požadavek, traktor nebude fungovat, dokud do volných přihrádek pro akumulátory nevložíte další akumulátory. 3. Při opětovném spuštění provozu snižte zatížení traktoru zvýšením výšky sečení podvozku nebo snížením rychlosti sečení.

LCD obrazovka	Popis	Kontrolka stavu traktoru	Zvuková kontrolka	Příčina	Řešení
	Ikona teploty bliká.	NESVÍTÍ	Jedno pípnutí	Traktor je přehřátý.	Snižte zatížení traktoru zvýšením výšky sečení podvozku nebo snížením rychlosti čepelí / pohonu. Udělejte si přestávku a nechte traktor vychladnout.
				Traktor je příliš studený.	Neprovádějte opakované pokusy, které by mohly stroj poškodit. Traktor a akumulátory vždy skladujte v teplém prostředí. Po zahřátí traktor znovu spusťte.
	Výstražná ikona bliká.	Bliká červeně	Jedno pípnutí	Motor čepelí je přetížený.	Zvyšte výšku sečení podvozku nebo snižte rychlost jízdy, čímž snížíte zatížení traktoru.
				Boční výsypný žlab je ucpaný trávou a nečistotami.	Po každém použití vyčistěte boční výsypný žlab.
				Mezi čepelí a podvozem traktoru dochází k přesahu.	Zavolejte zákaznický servis společnosti EGO.
	Ikony jednotlivých obsazených přihrádek na akumulátor a výstražné ikony blikají na LCD obrazovce každou 1 sekundu současně.	Bliká červeně	Pípá, dokud nedojde ke stisknutí vypínače napájení směrem dolů.	Akumulátory jsou vybité a traktor je v režimu nízkého stavu akumulátoru.	Přestaňte pracovat a vraťte se do prostoru pro nabíjení akumulátoru. POZNÁMKA: Pokud je traktor v režimu nízkého stavu akumulátoru, čepel se automaticky přepne do nízkých otáček a přestanou sekat. Mezitím bude traktor pípat. Obsluha by měla stisknout vypínač napájení směrem dolů, aby vypnula motory čepelí. Po zastavení čepelí přestane zvukový indikátor pípat.
	Ikona každé obsazené přihrádky na akumulátor a výstražná ikona blikají každou půl sekundu.	Bliká červeně	Pípá neustále	Došlo k přerušení chodu motoru čepelí za provozu a vypínač napájení není nastaven do polohy vypnuto.	Traktor okamžitě přestane fungovat. Obsluha by měla traktor převézt do prostoru pro nabíjení akumulátoru, kde se nabije.
	Na LCD obrazovce se rozsvítí ikona CCS.	Svítilí zelená	Ne	Traktor pokračuje vpřed nastavenou rychlostí, aniž by bylo nutné sešlápnout plynový pedál.	Jedná se o normální provoz. V případě potřeby vypněte funkci CCS podle části „Zastavení (ukončení) tempomatu (CCS)“ v návodu.
	Na LCD obrazovce bliká ikona CCS.	NESVÍTÍ	Ne	Selhala funkce CCS (tempomat). Traktor se zastaví sešlápnutím pedálu parkovací brzdy.	Funkci CCS není možné nastavit, když traktor jede velmi nízkou rychlostí nebo jede vzad. Po uvolnění pedálu parkovací brzdy stiskněte tlačítko CCS a na LCD se rozsvítí ikona CCS, nebo ukončete funkci CCS podle pokynů v části „Zastavení (ukončení) tempomatu (CCS)“.
	Na LCD obrazovce nesvítí žádná ikona vaku.	Nevztahuje se.	Ne	Indikuje, že vak na trávu není namontován na traktor nebo není správně namontován.	Namontujte vak na trávu správně na traktor.

LCD obrazovka	Popis	Kontrolka stavu traktoru	Zvuková kontrolka	Příčina	Řešení
	Na LCD obrazovce bliká ikona plného vaku.	Nevztahuje se.	Ne	Indikuje, že vak na trávu je plný.	Vyprázdněte vak na trávu a řádně jej nainstalujte.
Nevztahuje se.	Nevztahuje se.	NESVÍTÍ	Pípá neustále	Traktor je zaparkován na svahu a obsluha opouští traktor, aniž by sešlápla pedál parkovací brzdy do polohy parkovací brzdy.	Nastavte pedál parkovací brzdy do polohy parkovací brzdy. Ikona parkovací brzdy se rozsvítí a zvukový indikátor přestane pípat.
NESVÍTÍ	Porucha nabíjecího portu	Svíí ČERVENĚ	Nevztahuje se.	Není k dispozici žádné napájení.	Zkontrolujte, zda je do zásuvky přivedeno 220–240 V a zda je zásuvka v pořádku.
		Svíí ČERVENĚ	Nevztahuje se.	Elektronické závady, jako je rozpojený nabíjecí port, přepálená pojistka apod.	Pro opravu kontaktujte zákaznický servis společnosti EGO.

CHYBOVÉ KÓDY

Popis	Kód poruchy na LCD obrazovce	Zvuková kontrolka	Řešení
Levý motor čepele se neotáčí	509	Jedno pípnutí	Nejprve zkontrolujte čepel. Pokud je uvolněný, utáhněte šroub doporučeným utahovacím momentem. V opačném případě se obraťte na zákaznické centrum EGO a požádejte o opravu.
Pravý motor čepele se neotáčí	609	Jedno pípnutí	

CZ

POZNÁMKA: V případě jakýchkoli jiných chybových kódů, které se objeví na LCD obrazovce a které mohou indikovat poruchu PCBA, uvolněné spojení, poruchu motoru hnacího motoru, motorů čepelí atd., vyjměte všechny akumulátory a po několika minutách je znovu vložte, abyste traktor restartovali. Pokud se tím problém nevyřeší, zaznamenejte chybový kód a obraťte se na zákaznické centrum EGO za účelem opravy.

ZÁRUKA

ZÁRUČNÍ PODMÍNKY SPOLEČNOSTI EGO

Úplné záruční podmínky společnosti EGO naleznete na webové stránce egopowerplus.eu.

PREČÍTAJTE SI VŠETKY POKYNY!



PREČÍTAJTE SI NÁVOD NA OBSLUHU

BEZPEČNOSTNÝ SYMBOL

Účelom bezpečnostných symbolov je upozorniť na možné nebezpečenstvá. Venujte príslušnú pozornosť a pochopte bezpečnostné symboly a ich vysvetlenia. Varovné symboly, samy o sebe, nedokážu eliminovať nebezpečenstvo. Pokyny a varovania, ktoré obsahujú, nie sú náhradou za vhodné opatrenia na prevenciu úrazov.

VAROVANIE: Pred použitím tohto nástroja si prečítajte a pochopte všetky bezpečnostné pokyny v tomto návode na obsluhu, vrátane všetkých bezpečnostných výstražných symbolov, ako sú „**NEBEZPEČENSTVO**“, „**VAROVANIE**“ a „**UPOZORNENIE**“. Nedodržanie nižšie uvedených pokynov môže mať za následok úraz elektrickým prúdom, požiar a/alebo vážne zranenie.

VÝZNAM SYMBOLU

Táto strana zobrazuje a popisuje bezpečnostné symboly, ktoré sa objavujú na tomto výrobku. Pred pokusom o zostavenie a prevádzkovanie si prečítajte, pochopte a dodržiavajte všetky pokyny na stroji.

BEZPEČNOSTNÉ SYMBOLY

SK



Bezpečnostné upozornenie



Ochrana očí



NEBEZPEČENSTVO - Nebezpečenstvo prudkého svahu



Nikdy nenoste deti



VAROVANIE - Nepoužívajte tento stroj na svahoch so sklonom väčším ako 12°



VAROVANIE - DRŽTE RUKY A NOHY V BEZPEČNEJ VZDIALENOSTI



Nevstupujte



Tento výrobok je v súlade s platnými smernicami ES



Jednosmerný prúd



Prečítajte si a pochopte návod na obsluhu



Údržba bezpečnostných zariadení



NEBEZPEČENSTVO - Držte okolostojace osoby mimo dosahu čepelí



Pri cúvaní sa pozerajte za seba



NEBEZPEČENSTVO - Vymrštené predmety



Garantovaná hladina akustického výkonu. Emisie hluku do prostredia podľa smernice Európskeho spoločenstva.



Odpadové elektrické výrobky sa nesmú likvidovať spolu s domovým odpadom. Odovzdajte do autorizovaného recyklačného strediska.



UPOZORNENIE - Nepozerať sa do prevádzkovej lampy.



Tento výrobok je v súlade s platnou legislatívou Spojeného kráľovstva.

kPa	Kilopascal	OT./MIN.	Otáčky za minútu
V	Volt	m	Metre
v	Palec	cm	Centimetre
Nm	Newton meter	mm	Milimetre
°C	Celzcius	kg	Kilogram
km/h	Kilometre za hodinu	IPX4	Stupeň ochrany pred vniknutím

SYMBOLY V TEJTO PRÍRUČKE



Informáciu je potrebné zaznamenať



Uvedená akcia sa zastaví

TECHNICKÉ ÚDAJE

Napätie	56 V	
Veľkosť podvozku	98 cm	
Veľkosť kolesa	Predná časť	15 x 6 - 6 palcov
	Zadná časť	18 x 7,5 - 8 palcov
Tlak v studených pneumatikách	Predná časť	96,5 kPa
	Zadná časť	170 kPa
Rýchlosť čepele (ot/min)	Do 3000	
Maximálna rýchlosť jazdy	Dopredu	Do 9,6 km/h
	Cúvanie	do 4,8 km/h
Nastavenie výšky rezu (12 polôh)	25 - 100 mm	
Rozsah teplôt nabíjania	5 °C - 40 °C	
Prevádzková teplota	-0 °C - 40 °C	
Skladovacia teplota	-20 °C - 70 °C	
Hmotnosť (bez akumulátora)	220 kg	
Hladina akustického výkonu L_{WA}	97,7 dB(A) K=1,75 dB(A)	
Hladina akustického tlaku pri uchu obsluhy L_{PA}	83,6 dB(A) K=3 dB(A)	
Garantovaná hladina akustického výkonu L_{WA} (meraná podľa 2000/14/EC)	100 dB(A)	
Vibrácie a_h	Ruka	0,24 m/s ² K=1,5 m/s ²
	Telo	0,18 m/s ² K=1,5 m/s ²

- Deklarovaná celková hodnota vibrácií bola meraná v súlade so štandardnou skúšobnou metódou a môže sa použiť na vzájomné porovnanie jednotlivých náradí;
- Uvádzaná celková hodnota vibrácie sa môže použiť aj na predbežný odhad expozície.

POZNÁMKA: Emisia vibrácií pri skutočnom používaní náradia sa môže odlišovať od deklarovanej hodnoty, pri akej sa nástroj používa; za účelom ochrany obsluhy má používateľ v skutočných podmienkach použitia nosiť rukavice a ochranu sluchu.

ODPORÚČANÉ PRÍSLUŠENSTVO

VAROVANIE: Používajte len príslušenstvo uvedené nižšie. Používanie príslušenstva, ktoré nespĺňa špecifikácie originálneho vybavenia, môže viesť k nesprávnemu výkonu a ohrozeniu bezpečnosti.

NÁZOV DIELU	ČÍSLO MODELU
Súprava zberných čepeľí	AB3801TD
Mulčovacia zástrčka	AMP3800T

POPIS

SPOZNAJTE TRAKTOR (Obr. A1)

1. Sedadlo
2. Držiaky pohárov
3. Zadné koleso (hnacie koleso) (x2)
4. Umývací port (x2)
5. Podvozok
6. Antiskalповé koleso (x2)
7. Predné koleso (x2)
8. Predný nárazník
9. Pedál parkovacej brzdy
10. LED svetlomety (x2)
11. Napájacia jednotka
12. Úložný priestor
13. Blokovacia páka parkovacej brzdy
14. Volant

SK

15. Páka pre nastavenie polohy sedadla
16. Vreca na trávu
17. Nabíjací port
18. USB port
19. Úložný kôš
20. Plynový pedál
21. Páka pre nastavenie výšky podvozku
22. Sklápacia páka
23. Rukoväť
24. Kontrolka stavu traktora
25. Tlačidlo nastavenia rýchlosti čepele
26. Tlačidlo KOSENIE PRI CÚVANÍ
27. Tlačidlo štart/stop
28. Páka ovládania smeru
29. Bezpečnostný kľúč
30. Vypínač napájania
31. Tlačidlo CCS
32. Tlačidlo LED svetla / tlačidlo Bluetooth
33. Tlačidlo nastavenia rýchlosti jazdy
34. Tlačidlo uvoľnenia krytu napájacej jednotky
35. Kryt napájacej jednotky
36. Napájacia jednotka so šiestimi priehradkami na akumulátory
37. Tlačidlo uvoľnenia akumulátora

SK

SPOZNAJTE LCD OBRAZOVKU (Obr. A2)

Ďalšie informácie o ikonách a kontrolkách na LCD obrazovke nájdete v časti „STAV TRAKTORA“ a „CHYBOVÉ KÓDY“.

1. Ikona CCS
2. Kontrolka stavu bezpečnostného zariadenia
3. Ikona KOSENIE PRI CÚVANÍ VYPNUTÉ
4. Ikona pohonu
5. Ikona cúvania
6. Ikona bezpečnostného kľúča
7. Ikona LED svetiel
8. Ikona Bluetooth
9. Indikátor rýchlosti čepele
10. Počítadlo hodín
11. Palivomer
12. Ikona teploty
13. Ikona upozornenia (preťaženie/nízky výkon)
14. Ikona prázdnej priehradky na akumulátor
15. Ikona obsadenej priehradky na akumulátor
16. Indikátor chybového kódu
17. Indikátor zaťaženia
18. Indikátor rýchlosti jazdy
19. Ikona plného vreca
20. Ikona bez vreca

ROZBALENIE

POZNÁMKA: Baliaci materiál uschovajte, kým výrobok dôkladne neskontrolujete a uspokojivo neprevádzkujete. Ak nie sú na stroji namontované akékoľvek diely zo zoznamu balenia, okamžite kontaktujte servis EGO.

POZNÁMKA: Okrem nástrojov uvedených v zozname nižšie sú všetky ostatné odporúčané nástroje uvedené v príručkách, ale nie sú k dispozícii.

BALIACI LIST (Obr. B)

B-1	Elektrický trávnikový traktor	B-2	Sedadlo
B-3	Volant	B-4	Prachový uzáver
B-5	Kombinované kľúče	B-6	18 mm nástrčný kľúč
B-7	Krokové skrutky (1 ako záloha)	B-8	Matica M8 (1 ako záloha)
B-9	Matica M12 (1 ako záloha)	B-10	Podložky (1 ako záloha)
B-11	Bezpečnostný kľúč	B-12	Rýchlospojka s umývacím portom
B-13	Návod na obsluhu	B-14	Vreca na trávu (s dvoma sadami skrutiek a matic pre bočné držiaky)
B-15	Držiak v tvare U	B-16	Bočný držiak
B-17	Sklápacia páka	B-18	Ľavý a pravý nosný držiak vreca
B-19	Priečna tyč	B-20	Skrutka M8X40
B-21	Skrutka M8X25	B-22	Matica M8

MONTÁŽ

MONTÁŽ VOLANTU (Obr. C1)

C1-1	Stĺpik riadenia	C1-2	Volant
C1-3	Stredová čiara	C1-4	Podložka
C1-5	Matica	C1-6	18 mm nástrčný kľúč
C1-7	Prachový kryt		

MONTÁŽ SEDADLA (Obr. C2)

VAROVANIE: Bezpečnostný blokovací systém sa nesmie odpojiť ani obísť. Takýto postup by mohol spôsobiť neočakávanú prevádzku traktora s následkom zranenia osôb.

C2-1	Sedadlo	C2-2	Matica (M8)
C2-3	Krok Skrutka	C2-4	Objímka
C2-5	Zástrčka		

MONTÁŽ VRECA NA TRÁVU (Obr. C3 - C8)

C3-1	Držiak v tvare U	C3-2	Vreca
C3-2	4 sady skrutiek a matíc (M8 X 40)	C3-4	Kombinovaný kľúč
C4-1	Bočné držiaky	C4-2	4 sady skrutiek a matíc (M8 X 40)
C4-3	Kombinovaný kľúč	C5-1	Sklápacia páka
C5-2	1 sada skrutiek a matíc (M8 X 40)	C5-3	Kombinovaný kľúč
C6-1	Nosné držiaky vriec	C6-2	4 sady skrutiek a matíc (M8 X 25)
C6-3	Kombinované kľúče	C7-1	Priečna tyč
C7-2	2 matice (M8)	C7-3	Kombinovaný kľúč

NASTAVENIE

PRED NASTAVENÍM (Obr. D1)

NASTAVENIE VÝŠKY ŽACIEHO PODVOZKU (Obr. D2)

NASTAVENIE ANTISKALPOVÝCH KOLIES (Obr. D3 - D6)

D3-1	ANTISKALPOVÉ KOLEŠÁ	D5-1	Matica
D5-2	Upínacia matica	D6-1	Štítok výšky podvozku

NASTAVENIE SEDADLA (Obr. D7)

D7-1	Páka pre nastavenie polohy sedadla
------	------------------------------------

OBSLUHA

PRED PREVÁDZKOU (Obr. E1)

NASTAVENIE PARKOVACEJ BRZDY (Obr. E2)

E2-1	Poloha parkovacej brzdy	E2-2	Odbrzdzená pozícia
------	-------------------------	------	--------------------

VAROVANIE: PEDÁL PARKOVACEJ BRZDY NEMÔŽE ZNÍŽIŤ RÝCHLOSŤ JAZDY. POČAS JAZDY SA NIKDY NEPOKÚŠAJTE STLAČIŤ PEDÁL PARKOVACEJ BRZDY, ABY STE ZNÍŽILI RÝCHLOSŤ JAZDY. KEĎ JE PEDÁL PARKOVACEJ BRZDY STLAČENÝ, ALE NIE JE V POLOHE PARKOVACEJ BRZDY, ELEKTRICKÁ BRZDA UŽ NIE JE ÚČINNÁ A TRAKTOR SA NA ROVNOM POVRCHU ZASTAVÍ. ALE AK SA TO STANE NA SVAHU, TRAKTOR MÔŽE PO UVOĽNENÍ PEDÁLU PARKOVACEJ BRZDY SKLÝZNUŤ ZO SVAHU.

VAROVANIE: VYTIAHNITE BLOKOVACIU PÁKU PARKOVACEJ BRZDY A OKAMŽITE STLAČTE PEDÁL PARKOVACEJ BRZDY, ABY STE JU V PRÍPADE AKEJKOL'VEK NÚDZOVEJ SITUÁCIE ZARETOVALI, TRAKTOR SA OKAMŽITE ZASTAVÍ A NEBUDE SA ŠMÝKAŤ PO SVAHU.

PRIPOJENIE/ODPOJENIE AKUMULÁTORA (Obr. E3 - E6)

Na naštartovanie tohto traktora sú potrebné akumulátory EGO s celkovou kapacitou 15 Ah (2 X BA4200/BA4200T) alebo viac. Pre najlepší výkon odporúčame používať akumulátory EGO s celkovou kapacitou 30 Ah alebo viac.

E3-1	Tlačidlo uvoľnenia krytu	E5-1	Tlačidlo uvoľnenia akumulátora
------	--------------------------	------	--------------------------------

NABÍJANIE TRAKTORA

Používajte iba s odporúčanými akumulátormi a nabíjačkami.

- Akumulátory nabíjajte samostatne (obr. E7)

POZNÁMKA: Podrobné pokyny nájdete v príručke k príslušnému akumulátoru a nabíjačke.

- Nabíjanie akumulátorov cez nabíjací port (Obr. E8 - E10)

E10-1	Prachový uzáver	E10-2	Nabíjací port
-------	-----------------	-------	---------------

TESTOVANIE BEZPEČNOSTNÉHO BLOKOVACIEHO SYSTÉMU

- Testovanie čepeľového systému podvozku (obr. E11 - E12)
- Testovanie jazdného systému (obr. E13 - E14)

Ak sa čepeľový systém podvozku a/alebo pohonný systém nezastavia, keď je obsluha mimo sedadla, a ak nie je možné určiť príčinu po potvrdení správneho pripojenia zástrčky a zásuvky sedadla, obráťte sa ihneď na zákazníkove stredisko EGO.

SK

KOMUNIKAČNÁ TECHNOLÓGIA

Ak chcete získať informácie alebo sa oboznámiť s celou škálou pripojených výrobkov a služieb vrátane pokynov na pripojenie, naskenujte QR kód nižšie alebo navštívte stránku www.egopowerplus.eu/connect.



KONTROLNÝ ZOZNAM PRED PREVÁDZKOU

- Zabezpečte, aby sa v pracovnom priestore nenachádzali deti, okolostojace osoby a domáce zvieratá.
- Uvoľnite pracovný priestor od predmetov, ktoré by mohli byť vymrštené čepeľami traktora.
- Vyčistite traktor od nečistôt.
- Skontrolujte, či nie sú uvoľnené upevňovacie prvky.
- Skontrolujte, či sú všetky ochranné prvky na svojom mieste a fungujú správne.
- Vizuálne skontrolujte pneumatiky, či sú nafúknuté.
- Skontrolujte činnosť brzdy.

- Nastavte výšku podvozku na požadovanú polohu kosenia, ktorá je najvhodnejšia pre trávnik, a podľa toho nastavte antiskalповé kolesá.
- Upravte polohu sedadla a uistite sa, že môžete dosiahnuť na oba pedále.
- Skontrolujte úroveň nabitia akumulátora.
- Otestujte bezpečnostný blokovací systém.
- Skontrolujte, či je vrece na trávu správne namontované.

NAŠARTOVANIE TRAKTORA (Obr. E15 - Obr. E16)

VAROVANIE: Vyhňte sa náhlym rozjazdom, zastaveniam a otáčkam, ako aj nadmernej rýchlosti, najmä keď sa s traktorom učíte pracovať prvýkrát. Traktor sa môže rýchlo roztočiť, čo môže spôsobiť stratu kontroly a vážne zranenie a/alebo škodu.

VAROVANIE: Pred našartovaním traktora skontrolujte a uistite sa, že sa čepele po stlačení vypínača napájania smerom nadol do 5 s odpojili. Ak sa čepele nezastavia, traktor nepoužívajte a okamžite kontaktujte zákaznický servis EGO.

POZNÁMKA:

- Ak je pedál parkovacej brzdy nastavený do polohy parkovacej brzdy, stačí pred jazdou traktorom stlačiť tlačidlo štart/stop na 3 sekundy, aby sa rozsvietila LCD obrazovka, a potom uvoľniť pedál parkovacej brzdy.
- Žacie čepele je možné spustiť kedykoľvek, keď je LCD obrazovka úplne rozsvietená a páčka ovládania smeru jazdy nie je potiahnutá dozadu v smere „R“. Ak chcete zapnúť čepele počas cúvania traktora, pozrite si časť „ZAPNUTIE ČEPELÍ PRI CÚVANÍ“ v tejto príručke.

POZNÁMKA: Postupujte podľa obr. E17, aby ste dosiahli najnižšiu rýchlosť jazdy, kým nebudete plne schopní ovládať traktor vo všetkých situáciách.

Elektrický trávnikový traktor si nepamätá nastavenie rýchlosti jazdy a rýchlosti čepele. Rýchlosť jazdy a rýchlosť čepele sa po každom vypnutí traktora vrátia na úroveň 2.

Nastavenie rýchlosti jazdy (obr. E17)

Nastavenie rýchlosti čepele (obr. E18)

POZNÁMKA: Keď ste na „Úrovni 3“, stlačte znova tlačidlo nastavenia rýchlosti čepele a rýchlosť čepele sa obnoví na predchádzajúcu rýchlosť.

LED svetlá (obr. E19)

- Svetlomety LED sa dajú zapínať a vypínať pomocou spínača LED svetiel.

USB port

POZNÁMKA: Port USB, ktorý je napájaný len pri spustení traktora, poskytuje nabíjaci výkon 5 V= pri kombinovanom odbere až 1,5 A.

ZASTAVENIE TRAKTORA (Obr. E20)

VAROVANIE: Keď traktor prestane jazdiť na svahu, vždy nastavte pedál parkovacej brzdy do polohy parkovacej brzdy, inak sa môže traktor zosunúť zo svahu, čo môže spôsobiť vážne poškodenie traktora alebo zranenie osôb!

POZNÁMKA: V situácii, keď je pedál parkovacej brzdy nastavený do polohy parkovacej brzdy a obsluha je mimo sedadla, ale akumulátory nie sú vybité:

- V prípade, že je LCD obrazovka vypnutá, kontrolky akumulátora, tlačidlo štart/stop a tlačidlo CCS zostanú rozsvietené počas 1 hodiny.
- V prípade, že sa na LCD obrazovke zobrazí „palivomer“ alebo rozhranie obsluhy, traktor sa po 1 hodine automaticky vypne.

Režim nízkeho stavu akumulátora

Keď sa úroveň nabitia akumulátora kriticky zníži, traktor prejde do režimu nízkeho stavu akumulátora, aby si zachoval dostatok energie na návrat do nabíjacej oblasti.

- Čepele sa prepnú na nízku rýchlosť otáčania, ktorá dokáže pokosiť len veľmi malé množstvo trávy. Pri kontakte s vysokou a hustou trávou sa čepele sa prestanú otáčať. Zaznie zvukový indikátor (prerušované pípanie).
- Kontrolka stavu traktora bude každú sekundu blikať na červeno, budú blikať ikona upozornenia (nízky výkon) aj ikona každej obsadenej priehradky na akumulátory.

Obsluha by mala:

- Stlačením vypínača napájania smerom nadol vypnúť motory čepelí. Zvukový indikátor prestane znieť, keď sa motory čepelí zastavia.
- Prestať pracovať a čo najskôr sa dostať do oblasti nabíjania. Maximálna vzdialenosť, ktorú môže traktor prejsť, je 1000 m.

Keď je akumulátor takmer vybitý, ikona upozornenia (nízky výkon) aj ikona každej obsadenej priehradky na akumulátor budú blikať každú pol sekundu. Traktor okamžite prestane pracovať. Obsluha musí traktor dopraviť na miesto nabíjania.

POZNÁMKA: Ak je potrebné odtlačenie traktora, uistite sa, že sú akumulátory odpojené od traktora a pedál parkovacej brzdy je uvoľnený z polohy parkovacej brzdy.

JAZDA NA TRAKTORE (Obr. E21)

NEBEZPEČENSTVO: Nepribližujte sa aspoň na dve šírky kosenia k priekopám, zrázom alebo vode. Predné kolesá sa môžu otáčať, keď je traktor zastavený, dokonca aj so zatiahnutou brzdou, a spôsobiť, že traktor prejde cez okraj alebo do vody a spôsobí usmrtenie alebo vážne zranenie osôb.

VAROVANIE: Traktor nepoužívajte na verejných komunikáciách.

VAROVANIE: Ak dôjde k zablokovaniu alebo narazíte na cudzí predmet, zastavte motory a vyberte akumulátory. Odstráňte pokosenú trávu, lístie, nečistoty a akékoľvek iné nahromadené nečistoty; pred opätovným spustením a prevádzkou traktora dôkladne skontrolujte, či nie je poškodený, a poškodenia opravte.

POZNÁMKA:

- Keď počas jazdy opustíte sedadlo, kontrolka stavu traktora sa vypne. Pri opätovnom začatí jazdy si sadnite späť na sedadlo a úplne stlačte pedál parkovacej brzdy, aby kontrolka stavu traktora svietila na zeleno.
- Pri prepínaní medzi jazdou vpred a vzad počas jazdy pohybujte pákou ovládania smeru jazdy priamo z jedného konca na druhý bez zastavenia v neutrálnej polohe, inak sa môže traktor zastaviť v pohybe.


POUŽÍVANIE TEMPOMATU (CCS)


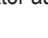
Aktivácia (zadanie) tempomatu (CCS) (obr. E22)

POZNÁMKA: Úroveň rýchlosti jazdy zobrazená na LCD obrazovke nemusí presne zodpovedať skutočnej rýchlosti jazdy traktora v režime tempomatu. Stlačením tlačidla nastavenia rýchlosti „obnovíte“ úroveň rýchlosti jazdy na LCD obrazovke.

Ak chcete zastaviť (ukončiť) tempomat (CCS), môžete zvoliť jeden z troch spôsobov:

- Stlačte plynový pedál až na doraz a pokračujte v stláčaní. Funkcia CCS sa zastaví a traktor bude pokračovať v jazde.
- Mierny stlačte plynový pedál a potom ho uvoľnite. Traktor a funkcia CCS sa zastavia.
- Stlačte tlačidlo CCS. Traktor a funkcia CCS sa zastavia.

POZNÁMKA: Keď sa CCS zastaví, ikona „“ zmizne z LCD obrazovky a dvakrát zaznie zvukový signál.

POZNÁMKA: Ak je stlačený pedál parkovacej brzdy, traktor sa zastaví, ale na LCD obrazovke bude blikať ikona „“, ktorá signalizuje, že CCS je v pohotovostnom režime. V takom prípade uvoľnite pedál parkovacej brzdy, stlačte tlačidlo CCS. Traktor automaticky obnoví jazdu a ikona „“ prestane blikať.

ZAPNUTIE ČEPELÍ PRI CÚVANÍ

POZNÁMKA: Kosenie pri cúvaní neodporúčame.


VAROVANIE: Počas kosenia pri cúvaní postupujte mimoriadne opatrne. Pred a počas kosenia pri cúvaní sa vždy uistite, že do pracovného priestoru nevstupujú žiadne osoby, najmä malé deti.

VAROVANIE: Pri práci s traktorom pripojeným k súprave s vrecom na trávu by mohol byť zhoršený výhľad obsluhy. Pred kosením a počas kosenia pri cúvaní dbajte vždy na mimoriadnu opatrosť a oboznámenie sa s okolím.



Aktivácia (spustiť) KOSENIE PRI CÚVANÍ (E23)

Ak chcete zastaviť (ukončiť) KOSENIE PRI CÚVANÍ, môžete zvoliť jeden zo štyroch spôsobov:

- Raz stlačte tlačidlo KOSENIE PRI CÚVANÍ.
- Zdvihnite sa zo sedadla traktora.
- Stlačením tlačidla štart/stop na 3 s vypnite LCD obrazovku.
- Ak chcete traktor vypnúť, vytiahnite bezpečnostný kľúč alebo vyberte akumulátory.

POZNÁMKA: Keď sa zastaví KOSENIE PRI CÚVANÍ, na LCD obrazovke sa rozsvieti ikona „“.

VYPRÁZDŇOVANIE VRECA NA TRÁVU (Obr. E24)

POZNÁMKA: Keď na LCD obrazovke bliká ikona „“, vrece na trávu je plné. Po vyprázdnení vrece zmizne z LCD obrazovky ikona „“.

POZNÁMKA: Vrece na trávu by sa malo správne nasadiť na traktor, inak sa traktor je možné riadiť, ale motory čepeľí sa nemôžu zapnúť.

ÚDRŽBA

VAROVANIE: Vždy používajte ochranné okuliare s bočnými štítkami. V opačnom prípade môže dôjsť k vymršteniu predmetov do očí a následnému vážnemu zraneniu.

VAROVANIE: Pri vykonávaní akejkoľvek údržby čepele traktora si vždy chráňte ruky nasadením silných rukavíc alebo obalením rezných hrán handrou alebo iným materiálom. Pri servise alebo preprave traktora vždy vyberte bezpečnostný kľúč a akumulátor.

ODPORÚČANÉ PLÁNY ÚDRŽBY

Interval údržby	Postup údržby
Pred každým použitím alebo denne	<ul style="list-style-type: none"> ▪ Skontrolujte bezpečnostný blokovací systém. ▪ Vizualne skontrolujte pneumatiky, či sú nafúknuté. ▪ Skontrolujte čepele. ▪ Skontrolujte celý výrobok, či nemá poškodené, chýbajúce alebo uvoľnené časti, ako je bočný vyhadzovací žlab, skrutky, matice, skrutky, uzávery atď., pričom sa uistite, že všetky ochranné prvky sú na svojom mieste a fungujú správne. ▪ Skontrolujte a uistite sa, že plynový pedál je možné správne stlačiť a uvoľniť. ▪ Skontrolujte tlmič volantu. Volant by sa mal otáčať s určitým odporom.
Po každom použití	<ul style="list-style-type: none"> ▪ Vyčistite traktor a umyte podvozok.
Každých 25 hodín	<ul style="list-style-type: none"> ▪ Skontrolujte tlak v pneumatikách.
Každých 100 hodín	<ul style="list-style-type: none"> ▪ Skontrolujte zadné kolesá a skontrolujte, či sú všetky matice kolies utiahnuté na odporúčaný krútiaci moment (101-103 Nm). ▪ Skontrolujte predné kolesá a uistite sa, že je matica utiahnutá na odporúčaný krútiaci moment (90-92 Nm).
Každých 200 hodín	<ul style="list-style-type: none"> ▪ Skontrolujte predné kolesá a zistite, či sa voľne otáčajú.

SK

Každý polrok	<ul style="list-style-type: none"> Skontrolujte pedál parkovacej brzdy. Odpojte akumulátor od traktora, potom vytiahnite blokovaciu páku parkovacej brzdy a stlačte pedál parkovacej brzdy, aby ste nastavili parkovaciu brzdú. Ručne zatlačte traktor dopredu, aby ste zistili, či sa dá traktor pohnúť bez otáčania zadných kolies. Ak sa traktor pohybuje a zadné kolesá sa medzitým otáčajú, obráťte sa na zákaznicke servisné stredisko EGO, aby vykonalo opravu.
Pred uskladnením	<ul style="list-style-type: none"> Vyberte akumulátory z traktora. Vyberte bezpečnostný kľúč z traktora. Vykonajte všetky vyššie uvedené postupy údržby a traktor dôkladne vyčistite. Pred uskladnením skontrolujte celý výrobok, či neobsahuje poškodené, chýbajúce alebo uvoľnené časti, vymeňte alebo dotiahnite príslušné časti.
Ročne	<ul style="list-style-type: none"> Namažte objímky hriadeľov predných kolies.

VŠEOBECNÁ ÚDRŽBA

Vyprázdnenie trávy (obr. F1 - F3)

Čistenie krytu traktora (obr. F4)

SK

Použitie umývacieho otvoru na čistenie podvozku traktora (obr. F5 - F6)

F5-1	Umývací port	F5-2	Rýchlospojka umývacieho portu
F5-3	Záhradná hadica		

POZNÁMKA: Po skončení čistenia úplne vypnite traktor a potom odpojte záhradnú hadicu a rýchlospojku.

ÚDRŽBA PODVOZKU TRAKTORA A ŽACÍCH ČEPELÍ

Príprava (obr. G1)

Demontáž podvozku (obr. G2 - G3)

G2-1	Motorový kábel	G2-2	Závlačka
G2-3	Závesný mechanizmus		

Výmena žacích čepelí (obr. G4 - G6)

G4-1	Stabilizátor	G5-1	Skrutka
G5-2	Podložka	G5-3	Čepeľ
G5-4	Príruba	G5-5	Hriadeľ motora

Vyrovnanie podvozku

- Kedy vyrovnat' (obr. G7 / obr. G8 / obr. G9)**
- Pred vyrovnaním**
 - Kontrola tlaku v studených pneumatikách (obr. G10)
 - Skontrolujte žacie čepele. Podľa potreby vyberte a vymeňte opotrebované, popraskané a/alebo ohnuté čepele.
- Príprava na vyrovnanie (obr. G11)**
- Ako vyrovnat' výšku**
 - Nastavenie zo strany na stranu (obr. G12)
 - Na nastavenie spredu dozadu (obr. G13)

SKLADOVANIE A PREPRAVA

PREPRAVA TRAKTORA (Obr. H1 - H5)

H2-1	Rampy	H2-2	Popruhy
------	-------	------	---------

POZNÁMKA: Traktor podľa potreby zaistíte pomocou popruhov alebo lán, aby ste zabránili jeho pohybu počas prepravy.

USKLADNENIE (Obr. I1 - I2)

POZNÁMKA: Akumulátory vyberte a uložte samostatne, pozrite si príslušné príručky.

Pred uskladnením traktor vyčistite a skontrolujte, pozri časti „VŠEOBECNÁ ÚDRŽBA“ a „ODPORÚČANÉ PLÁNY ÚDRŽBY“.


Ochrana životného prostredia



WEEE (Odpad z elektrických a elektronických zariadení) Nevyhadzujte elektrické zariadenia, nabíjačku a použité akumulátory do domového odpadu! Tento výrobok odneste na autorizované recyklačné miesto a poskytnite ho na separovaný zber. Elektrické náradie sa musí odovzdať do ekologického recyklačného zariadenia.

ODSTRAŇOVANIE PORÚCH

PROBLÉM	PRÍČINA	RIEŠENIE
Elektrický trávnikový traktor sa po zošliapnutí plynového pedála nepohybuje.	<ul style="list-style-type: none"> ▪ Kombinované Ah vložených akumulátorov nespĺňajú požiadavku. 	<ul style="list-style-type: none"> ▪ Na naštartovanie tohto traktora použite dostatočný počet akumulátorov EGO podľa pokynov uvedených v časti „PRIPOJENIE/ODPOJENIE AKUMULÁTORA“ v tejto príručke.
	<ul style="list-style-type: none"> ▪ Pedál parkovacej brzdy je nastavený do zabrzdenej polohy. 	<ul style="list-style-type: none"> ▪ Úplne stlačte pedál parkovacej brzdy, aby ste ho uvoľnili z polohy parkovacej brzdy.
	<ul style="list-style-type: none"> ▪ Kontrolka stavu traktora nesvieti na zeleno. 	<ul style="list-style-type: none"> ▪ Stlačte pedál parkovacej brzdy a potom ho uvoľnite. Kontrolka stavu traktora bude svietiť na zeleno, čo znamená, že traktor je pripravený na naštartovanie.
	<ul style="list-style-type: none"> ▪ Obsluha nesedí na sedadle. 	<ul style="list-style-type: none"> ▪ Traktor je možné obsluhovať len vtedy, keď obsluha správne sedí na sedadle.
	<ul style="list-style-type: none"> ▪ Bezpečnostný blokovací systém sedadla nie je správne pripojený. 	<ul style="list-style-type: none"> ▪ Vyberte akumulátory z traktora a zdvihnite zadnú časť sedadla, aby ste sa uistili, že je zástrčka kábla správne pripojená k zásuvke na spodnej strane sedadla (pozri kapitolu „MONTÁŽ SEDADLA“). Postupujte podľa pokynov v časti „NAŠTARTOVANIE TRAKTORA“, aby ste zistili, či je možné traktor naštartovať. Ak nie, obráťte sa na stredisko služieb zákazníkom spoločnosti EGO a požiadajte o opravu.
	<ul style="list-style-type: none"> ▪ V extrémne chladnom počasí sa funkcia jazdy nemusí úspešne spustiť z dôvodu ochrany pred nízkymi teplotami. 	<ul style="list-style-type: none"> ▪ Traktor a akumulátory vždy skladujte v teplom prostredí. Keď je traktor zahriaty, znovu ho naštartujte. Nerobte opakované pokusy v extrémne chladnom počasí, ktoré môžu poškodiť stroj.
	<ul style="list-style-type: none"> ▪ Dráha pohybu plynového pedála je upchatá nečistotami. 	<ul style="list-style-type: none"> ▪ Kontrola a odstránenie nečistôt
	<ul style="list-style-type: none"> ▪ Porucha mechanických alebo elektronických komponentov plynového pedála. 	<ul style="list-style-type: none"> ▪ Zavolajte zákaznícke centrum EGO pre opravu.
<ul style="list-style-type: none"> ▪ Páka ovládania smeru jazdy je v neutrálnej polohe. 	<ul style="list-style-type: none"> ▪ Zatlačte/potiahnite páku ovládania smeru jazdy v smere „D“ alebo „R“. 	

PROBLÉM	PRÍČINA	RIEŠENIE
Elektrický trávnikový traktor prestane jazdiť.	<ul style="list-style-type: none"> Pri prepínaní medzi jazdou vpred a vzad počas jazdy zostáva páka ovládania smeru jazdy dlho v neutrálnej polohe. 	<ul style="list-style-type: none"> Uvoľnite plynový pedál a potom ho opäť stlačte.
	<ul style="list-style-type: none"> Porucha elektronických komponentov plynového pedálu. 	<ul style="list-style-type: none"> Zavolajte zákaznícke centrum EGO pre opravu.
	<ul style="list-style-type: none"> Bezpečnostný blokovací systém sedadiel sa počas jazdy na nerovnom teréne odpojil. 	<ul style="list-style-type: none"> Vyberte akumulátory z traktora a zdvihnite zadnú časť sedadla, aby ste sa uistili, že je zástrčka kábla správne pripojená k zásuvke na spodnej strane sedadla (pozri kapitolu „MONTÁŽ SEDADLA“). Postupujte podľa pokynov v časti „NAŠTARTOVANIE TRAKTORA“, aby ste zistili, či je možné traktor naštartovať. Ak nie, obráťte sa na stredisko služieb zákazníkom spoločnosti EGO a požiadajte o opravu.
	<ul style="list-style-type: none"> Hmotnosť obsluhy nie je rovnomerne rozložená na sedadle. Hmotnosť obsluhy na sedadle musí byť najmenej 20 kg, aby bezpečnostný blokovací systém sedadla správne fungoval. 	<ol style="list-style-type: none"> Správne si sadnite na sedadlo, úplne stlačte pedál parkovacej brzdy a uvoľnite ho, potom je traktor pripravený na jazdu. V prípade potreby odpojte a znovu pripojte akumulátory.
	<ul style="list-style-type: none"> Ak je pedál parkovacej brzdy dostatočne stlačený, ale nie je zablokovaný v parkovacej polohe, traktor sa zastaví. 	<ul style="list-style-type: none"> Pre opätovné naštartovanie traktora postupujte podľa pokynov v časti „NAŠTARTOVANIE TRAKTORA“.
Elektrický trávnikový traktor nedokáže spustiť čepele, keď je aktivovaný vypínač napájania.  Ikona vypínača napájania bliká	<ul style="list-style-type: none"> Kombinované Ah vložených akumulátorov nespĺňajú požiadavku. 	<ul style="list-style-type: none"> Na naštartovanie tohto traktora použite dostatočný počet akumulátorov EGO podľa pokynov uvedených v časti „PRIPOJENIE/ODPOJENIE AKUMULÁTORA“ v tejto príručke.
	<ul style="list-style-type: none"> Pri poslednom vypnutí traktora nebol vypínač napájania stlačený. 	<ul style="list-style-type: none"> Stlačte vypínač napájania nadol a potom nahor, aby ste reštartovali motory čepelí.
	<ul style="list-style-type: none"> Traktor je preťažovaný v okamihu, keď sa čepele začínajú otáčať, čím sa spustí samočinná ochrana motorov čepelí. 	<ul style="list-style-type: none"> Najskôr začnite kosiť trávu pri nižších otáčkach čepelí a nezvyšujte otáčky, kým sa čepele úspešne neotáčajú.
	<ul style="list-style-type: none"> V extrémne chladnom počasí sa motor čepelí nemusí úspešne spustiť z dôvodu ochrany pred nízkymi teplotami. 	<ul style="list-style-type: none"> Traktor a akumulátory vždy skladujte v teplom prostredí. Keď je traktor zahriaty, znovu ho naštartujte. Nerobte opakované pokusy v extrémne chladnom počasí, ktoré môžu poškodiť stroj.
	<ul style="list-style-type: none"> Čepeľ zasahuje do deformovaného podvozku traktora 	<ul style="list-style-type: none"> Pre opravu kontaktujte zákaznícke centrum EGO.
	<ul style="list-style-type: none"> Vrece na trávu nie je správne namontované. 	<ul style="list-style-type: none"> Správne nainštalujte vrece na trávu podľa kapitoly „MONTÁŽ VRECA NA TRÁVU“ v príručke.

PROBLÉM	PRÍČINA	RIEŠENIE
Čepele sa počas kosenia trávy prestávajú otáčať.	<ul style="list-style-type: none"> Traktor je preťažený. 	<ul style="list-style-type: none"> Zvýšte výšku kosenia podvozku alebo znížte rýchlosť jazdy, aby ste znížili zaťaženie traktora.
	<ul style="list-style-type: none"> Podvozok je zanesený trávou a nečistotami. 	<ul style="list-style-type: none"> Vyčistite podvozok a uistite sa, že čepele majú voľný pohyb.
	<ul style="list-style-type: none"> Traktor je prehriaty. 	<ul style="list-style-type: none"> Znížte zaťaženie traktora zvýšením výšky kosenia podvozku alebo znížením rýchlosti čepele/jazdnej rýchlosti a nechajte traktor vychladnúť.
	<ul style="list-style-type: none"> Akumulátory v priestore pre akumulátory traktora sú prehriate, v dôsledku čoho kombinovaná hodnota Ah všetkých vložených akumulátorov nespĺňa požiadavku 	<ol style="list-style-type: none"> Traktor môže pokračovať v práci, ak kombinovaná kapacita akumulátorov v Ah bez prehriateho akumulátora spĺňa požiadavky. Keď sa prehriaty akumulátor vráti na bežnú teplotu, okamžite sa pripoji k napájaniu traktora. Ak kombinovaná kapacita akumulátorov v Ah nespĺňa požiadavky, traktor nebude fungovať, kým sa do voľných priestorov akumulátorov nevložia ďalšie akumulátory. Pri pokračovaní v práci znížte zaťaženie traktora zvýšením výšky kosenia podvozku alebo znížením rýchlosti jazdy.
	<ul style="list-style-type: none"> Traktor je v režime nízkeho stavu akumulátora. 	<ul style="list-style-type: none"> Keď je traktor v režime nízkeho stavu akumulátora, čepele sa automaticky prepnú na nízku rýchlosť otáčania. Obsluha by mala prestať pracovať a čo najskôr prejsť do oblasti nabíjania akumulátora.
	<ul style="list-style-type: none"> Traktor je zasiahnutý cudzím predmetom, čo má za následok samočinnú ochranu motora. 	<ul style="list-style-type: none"> Stlačte vypínač napájania nadol a potom nahor, aby ste reštartovali motory čepelí.
	<ul style="list-style-type: none"> Traktor cúva, pričom na LCD obrazovke je zobrazená ikona KOSENIE PRI CÚVANÍ VYPNUTÉ. 	<ul style="list-style-type: none"> Stlačte vypínač napájania nadol a reštartujte motory čepelí podľa pokynov v časti „Aktivácia (spustiť) KOSENIE PRI CÚVANÍ“.
Zvukový indikátor naďalej znie.	<ul style="list-style-type: none"> Traktor je v režime nízkeho stavu akumulátora a čepele nie sú vypnuté. 	<ul style="list-style-type: none"> Stlačením vypínača napájania nadol vypnete motory čepelí. Zvukový indikátor prestane znieť po vypnutí motorov čepelí.
	<ul style="list-style-type: none"> Traktor zastaví jazdu na svahu a obsluha je mimo sedadla bez nastavenia pedálu parkovacej brzdy do polohy parkovacej brzdy. 	<ul style="list-style-type: none"> Pred opustením traktora na svahu nastavte pedál parkovacej brzdy do polohy parkovacej brzdy.
Kontrolky napájania na akumulátoroch svietia aj po vypnutí traktora.	<ul style="list-style-type: none"> Keď sa traktor vypne na rovnom teréne bez vybratia akumulátora (akumulátorov) z traktora, kontrolky napájania zostanú určitý čas svietiť. 	<ul style="list-style-type: none"> Nie je potrebná žiadna akcia. Keď sa traktor po určitom čase vypne, kontrolky akumulátorov zhasnú. Konkrétny čas nájdete v časti „ZASTAVENIE TRAKTORA“.
	<ul style="list-style-type: none"> Keď je traktor vypnutý na svahu bez nastavenia parkovacej brzdy, kontrolky napájania na akumulátoroch budú svietiť až do vybitia akumulátora. Zvukový indikátor stále znie súčasne. 	<ul style="list-style-type: none"> Pred opustením traktora na svahu nastavte pedál parkovacej brzdy do polohy parkovacej brzdy. V opačnom prípade môže traktor skĺznuť zo svahu.

PROBLÉM	PRÍČINA	RIEŠENIE
LCD obrazovka sa nerozsvieti so zapnutými všetkými ikonami.	<ul style="list-style-type: none"> Tlačidlo štart/stop nie je stlačené dostatočne dlho. 	<ol style="list-style-type: none"> Na LCD obrazovke sa zobrazí „palivomer“ iba po krátkom stlačení tlačidla štart/stop. LCD obrazovka sa zapne po úplnom stlačení pedálu parkovacej brzdy a súčasnom stlačení tlačidla štart/stop na dostatočný čas.
	<ul style="list-style-type: none"> Keď na LCD obrazovke bliká ikona bezpečnostného kľúča „“, bezpečnostný kľúč nie je vložený. 	<ul style="list-style-type: none"> Vložte bezpečnostný kľúč, potom úplne stlačte pedál parkovacej brzdy a súčasne stlačte tlačidlo štart/stop na dostatočný čas, aby sa zapla LCD obrazovka.
	<ul style="list-style-type: none"> Keď na LCD obrazovke bliká ikona parkovacej brzdy „“, pedál parkovacej brzdy nie je úplne stlačený. 	<ul style="list-style-type: none"> Vložte bezpečnostný kľúč, potom úplne stlačte pedál parkovacej brzdy a súčasne stlačte tlačidlo štart/stop na dostatočný čas, aby sa zapla LCD obrazovka.
Traktor kosí nerovnomerne, s výrazným výškovým rozdielom vpredu a vzadu.	<ul style="list-style-type: none"> Čepele sú tupé. 	<ul style="list-style-type: none"> Žacie čepele naostrite alebo vymeňte podľa pokynov uvedených v tejto príručke.
	<ul style="list-style-type: none"> Čepele sú ohnuté. 	<ul style="list-style-type: none"> Ohnuté žacie čepele vymeňte podľa pokynov v časti „Výmena žacích čepelí“.
	<ul style="list-style-type: none"> Podvozok nie je vyrovnaný, čo má za následok rozdielnu výšku žacej čepele. 	<ul style="list-style-type: none"> Vyrovajte podvozok podľa pokynov v časti „Vyrovnanie podvozku“.
Skutočná výška kosenia trávy nie je v súlade s požadovanou výškou.	<ul style="list-style-type: none"> Na závesnom mechanizme sú uvoľnené matice podvozku. 	<ul style="list-style-type: none"> Podľa pokynov v časti „Vyrovnanie podvozku“ vykonajte správne nastavenie podvozku traktora spredu dozadu a bezpečne utiahnite matice na závese.
	<ul style="list-style-type: none"> Podvozok je poškodený alebo vážne opotrebovaný. 	<ul style="list-style-type: none"> Ak chcete vymeniť podvozok traktora, postupujte podľa pokynov v časti „Demontáž podvozku“.
Traktor nemulčuje správne.	<ul style="list-style-type: none"> Mokrú odrezku trávy sú prilepené na spodnú stranu podvozku. 	<ul style="list-style-type: none"> Pred kosením nechajte trávu vyschnúť.
	<ul style="list-style-type: none"> Traktor je nastavený na kosenie príliš veľkého množstva trávy naraz. 	<ul style="list-style-type: none"> Zvýšte výšku kosenia podvozku.
Nadmerné vibrácie.	<ul style="list-style-type: none"> Žacie čepele sú uvoľnené. 	<ul style="list-style-type: none"> Utiahnite skrutku čepele odporúčaným krútiacim momentom.
	<ul style="list-style-type: none"> Čepele sú ohnuté. 	<ul style="list-style-type: none"> Ohnuté žacie čepele vymeňte podľa pokynov v časti „Výmena žacích čepelí“.
	<ul style="list-style-type: none"> Podvozok nie je vyrovnaný. 	<ul style="list-style-type: none"> Vyrovajte podvozok traktora podľa pokynov v časti „Vyrovnanie podvozku“.
	<ul style="list-style-type: none"> Na závesnom mechanizme sú uvoľnené matice podvozku. 	<ul style="list-style-type: none"> Utiahnite matice na ramene zavesenia.
	<ul style="list-style-type: none"> Podvozok je nastavený na kosenie príliš veľkého množstva trávy naraz. 	<ul style="list-style-type: none"> Zvýšte výšku kosenia podvozku.
Po kosení zostáva na zemi tráva alebo odpad.	<ul style="list-style-type: none"> Ak je tráva vysoká, podvozok je nastavený na kosenie príliš veľkého množstva trávy naraz. 	<ul style="list-style-type: none"> Začnite s vysokou výškou kosenia a znižujte ju, kým nedosiahnete požadovaný výsledok kosenia. Tráva vyššia ako 152 mm by sa mala kosiť dvakrát, postupne pri nižších výškach kosenia.
	<ul style="list-style-type: none"> Tráva je mokrá. 	<ul style="list-style-type: none"> Nekoste, keď je tráva mokrá. Počkajte, kým tráva vyschne.
	<ul style="list-style-type: none"> Rýchlosť jazdy je vysoká. 	<ul style="list-style-type: none"> Spomaľte rýchlosť jazdy.
	<ul style="list-style-type: none"> Rýchlosť čepele je nízka. 	<ul style="list-style-type: none"> Postupne zvyšujte rýchlosť čepele.
Krátky čas chodu traktora s dodanými akumulátormi.	<ul style="list-style-type: none"> Terén trávnika, stav trávy, nastavenie výšky kosenia, rýchlosť jazdy, rýchlosť čepelí atď. výrazne ovplyvňujú čas prevádzky. 	<ul style="list-style-type: none"> Zvýšte výšku kosenia podvozku a spomaľte rýchlosť čepele, aby ste znížili zaťaženie pri kosení.

PROBLÉM	PRÍČINA	RIEŠENIE
Traktor nejde rovno.	<ul style="list-style-type: none"> Tlak v pneumatikách pre ľavé a pravé koleso je odlišný. 	<ul style="list-style-type: none"> Skontrolujte a nastavte tlak vzduchu v oboch pneumatikách predných zadných kolies podľa odporúčania v časti „TECHNICKÉ ÚDAJE“ v tejto príručke.
Pedál parkovacej brzdy sa nedá uvoľniť z polohy parkovacej brzdy alebo sa len pomaly vracia späť.	<ul style="list-style-type: none"> Dráha pohybu pedála parkovacej brzdy je zanesená nečistotami. 	<ul style="list-style-type: none"> Skontrolujte a odstráňte nečistoty.
Traktor nemožno nabíjať cez nabíjací port, keď kontrolka stavu traktora svieti na červenou.	<ul style="list-style-type: none"> Zástrčka nabíjačky nie je správne zasunutá do nabíjacieho portu na traktore. 	<ul style="list-style-type: none"> Opätovne pripojte zástrčku nabíjačky, aby ste zistili, či sa traktor môže normálne nabíjať.
	<ul style="list-style-type: none"> V sieťových zásuvkách nie je napájanie. 	<ul style="list-style-type: none"> Nie je potrebná žiadna akcia. Počkajte, kým sa napájanie neobnoví.
	<ul style="list-style-type: none"> Porucha nabíjačky. 	<ul style="list-style-type: none"> Obráťte sa na zákaznícke centrum EGO a nechajte nabíjačku skontrolovať a/alebo v prípade potreby opraviť kvalifikovaným servisným technikom.
	<ul style="list-style-type: none"> Port nabíjačky na traktore je chybný. 	<ul style="list-style-type: none"> Pre opravu sa obráťte na zákaznícke centrum spoločnosti EGO.
Čas nabíjania cez nabíjací port traktora je príliš dlhý.	<ul style="list-style-type: none"> Použitie EGO adaptéra ACA1000 na nabíjanie vyžaduje dlhý čas. 	<ul style="list-style-type: none"> Na priame nabíjanie elektrického trávnikového traktora používajte nabíjačku EGO CHV1600E.
Akumulátory nie je možné úplne nabiť cez nabíjací port traktora.	<ul style="list-style-type: none"> Chyba firmvéru traktora alebo akumulátora alebo porucha nabíjačky. 	<ul style="list-style-type: none"> Nabíjačku resetujte tak, že ju odpojíte zo zásuvky a niekoľko minút počkáte. Potom znova pripojte zástrčku k zdroju napájania. Ak sa tým problém nevyrieši, zavolajte zákaznícke centrum EGO.
Traktor sa po vyčistení nedá naštartovať.	<ul style="list-style-type: none"> Nesprávne čistenie, napríklad vniknutie vody do elektrických komponentov, LCD obrazovky atď. 	<ol style="list-style-type: none"> Pri správnom čistení traktora postupujte podľa pokynov v časti „VŠEOBECNÁ ÚDRŽBA“. Ak traktor náhodne zachytil dážď, nechajte ho vyschnúť alebo na jeho vysušenie použite stlačený vzduch.
Podvozok sa rýchlo upchá.	<ul style="list-style-type: none"> Podvozok nebol po predchádzajúcom použití riadne vyčistený. 	<ul style="list-style-type: none"> Podvozok traktora čistite po každom použití podľa kapitoly „Čistenie podvozku pomocou umývacieho otvoru“.
Traktor pri stúpaní do svahu ľahko stráca trakciu.	<ul style="list-style-type: none"> Pneumatiky zadných kolies sú opotrebované. 	<ul style="list-style-type: none"> Pri výmene pneumatík vyhľadajte miestny servis.
	<ul style="list-style-type: none"> Kosenie na strmom svahu. 	<ul style="list-style-type: none"> Traktor by sa nemal používať na kosenie svahov strmějších, ako je požadovaný sklon.
Keď je traktor zastavený na svahu so zošliapnutým pedálom parkovacej brzdy, traktor sa môže skotúľať zo svahu.	<ul style="list-style-type: none"> Brzdové komponenty sú nadmerne opotrebované v dôsledku nesprávnej prevádzky traktora. 	<ul style="list-style-type: none"> Zavolajte zákaznícke centrum EGO pre opravu.
Pri pokuse o umývanie podvozku nevyteká z umývacieho otvoru žiadna voda.	<ul style="list-style-type: none"> Rýchlospojka umývacieho portu nie je správne namontovaná na umývací port. 	<ul style="list-style-type: none"> Znovu pripevnite rýchlospojku umývacieho portu, kým nebudete po silnom zatlačení počuť cvaknutie. Ak to nefunguje, zavolajte zákaznícke centrum EGO.
Pri ručnom tlačení traktora bez naštartovania je počuť abnormálny zvuk.	<ul style="list-style-type: none"> Zvuk pochádza z magnetov vo vnútri hnacieho motora. 	<ul style="list-style-type: none"> Je to normálne a nie sú potrebné žiadne opatrenia.
Volant sa nedá otáčať.	<ul style="list-style-type: none"> Zostava volantu je zanesená nečistotami. 	<ul style="list-style-type: none"> Skontrolujte a odstráňte nečistoty.
Traktor sa pri otáčaní volantom neotáča doľava/doprava.	<ul style="list-style-type: none"> Porucha elektronických alebo mechanických komponentov. 	<ul style="list-style-type: none"> Pre opravu kontaktujte zákaznícke centrum EGO.

PROBLÉM	PRÍČINA	RIEŠENIE
Traktor sa po uvoľnení plynového pedála nezastaví.	<ul style="list-style-type: none"> ▪ Spiatočka plynového pedála je zanesená nečistotami. 	<ul style="list-style-type: none"> ▪ Skontrolujte a odstráňte nečistoty.
	<ul style="list-style-type: none"> ▪ Tlačidlo CCS je stlačené neúmyselne počas jazdy. Traktor je v režime tempomatu 	<ul style="list-style-type: none"> ▪ Skontrolujte, či na LCD obrazovke svieti ikona CCS, a podľa potreby ukončíte CCS. Pozrite si kapitolu „POUŽÍVANIE TEMPOMATU (CCS)“
Funkciu CCS nie je možné aktivovať ani vypnúť.	<ul style="list-style-type: none"> ▪ Tlačidlo CCS nie je stlačené správne. 	<ul style="list-style-type: none"> ▪ Stlačte tlačidlo CCS, kým sa ikona CCS nerozsvieti na LCD obrazovke alebo nezmizne z LCD obrazovky.
Predné kolesá traktora sa otáčajú s nezvyčajným hlukom	<ul style="list-style-type: none"> ▪ Objímky hriadeľov predných kolies si vyžadujú mazanie. 	<ul style="list-style-type: none"> ▪ Vyberte akumulátory a potom naplňte vstrekovacie otvory mazivom, až kým mazivo nepreteká cez horný alebo dolný okraj objímok hriadeľov predných kolies.

STAV TRAKTORA

LCD obrazovka	Popis	Kontrolka stavu traktora	Zvukový indikátor	Príčina	Riešenie
	Ikona palivomera	NESVIETI	Nie	Udáva priemernú nabíjaciu kapacitu vložených akumulátorov	Toto je normálna prevádzka. Nie je potrebná žiadna akcia.
	Ikona počítadla hodín	NESVIETI	Nie	Zobrazuje celkový čas jazdy traktora v hodinách a nie je možné ho vynulovať.	Toto je normálna prevádzka. Nie je potrebná žiadna akcia.
	Ikona Kontrolky zaťaženia	NESVIETI	Nie	Ukazuje aktuálne zaťaženie traktora.	Toto je normálna prevádzka. Nie je potrebná žiadna akcia.
	Na LCD obrazovke sa rozsvieti ikona LED svetiel.	NESVIETI	Nie	Svetlomety sa zapínajú pomocou spínača LED svetiel.	Toto je normálna prevádzka. Nie je potrebná žiadna akcia.
	Na LCD obrazovke sa rozsvieti ikona Bluetooth	NESVIETI	Nie	Traktor je pripojený k mobilnému zariadeniu cez Bluetooth.	Toto je normálna prevádzka. Nie je potrebná žiadna akcia.
	Na LCD obrazovke sa zobrazí ikona KOSENIE PRI CÚVANÍ VYPNUTÉ.	NESVIETI	Nie	Signalizuje, že čepele sa nedajú zapnúť, keď traktor cúva.	Toto je normálna prevádzka. V prípade potreby zapnite čepele pri cúvaní podľa kapitoly „ZAPNUTIE ČEPELÍ PRI CÚVANÍ“ v príručke.
	Na LCD obrazovke sa rozsvieti ikona jednotky.	NESVIETI	Nie	Signalizuje, že traktor je možné riadiť alebo jazdiť dopredu.	Toto je normálna prevádzka. Podľa potreby nastavte páku ovládania smeru jazdy do polohy „D“, neutrálnej polohy alebo do polohy „R“.
	Na LCD obrazovke sa zobrazí ikona cúvania.	NESVIETI	Nie	Signalizuje, že traktor je možné riadiť alebo cúva.	
	Ikona pohonu a cúvania striedavo blikajú	NESVIETI	Nie	Znamená to, že traktor nie je možné riadiť.	
	Ikona bezpečnostného kľúča svieti	NESVIETI	Nie	Bezpečnostný kľúč je správne vložený.	Toto je normálna prevádzka. Nie je potrebná žiadna akcia.
	Ikona bezpečnostného kľúča bliká, keď sa na LCD obrazovke zobrazí „palivomer“.	NESVIETI	Nie	Bezpečnostný kľúč nie je zasunutý. Zostava skrinky ovládacieho panela s kľúčom je poškodená.	Vložte bezpečnostný kľúč, potom úplne stlačte pedál parkovacej brzdy a súčasne stlačte tlačidlo ŠTART/STOP na viac ako 3 sekundy, aby sa traktor zapol. Zavolajte zákaznicke centrum EGO pre opravu.
	Ikona parkovacej brzdy bliká, keď sa na LCD obrazovke zobrazí „palivomer“.	NESVIETI	Nie	Pedál parkovacej brzdy nie je stlačený.	Po vložení bezpečnostného kľúča úplne stlačte pedál parkovacej brzdy a súčasne stlačte tlačidlo ŠTART/STOP na viac ako 3 sekundy, aby sa traktor zapol.
	Ikona parkovacej brzdy bliká, keď sa na LCD obrazovke zobrazí rozhranie obsluhy.	NESVIETI	Nie	Pred zošliapnutím pedála parkovacej brzdy stlačte plynový pedál, aby kontrolka traktora svietila na zeleno.	Traktor správne naštartujte podľa kapitoly „NAŠTARTOVANIE TRAKTORA“.
	Rozsvieti sa ikona parkovacej brzdy	NESVIETI	Nie	Pedál parkovacej brzdy je nastavený do polohy parkovacej brzdy.	Pred naštartovaním traktora ho uvoľnite.

SK

LCD obrazovka	Popis	Kontrolka stavu traktora	Zvukový indikátor	Príčina	Riešenie
	Svieti ikona snímača sedadla	NESVIETI	Nie	Obsluha opustí sedadlo alebo sa odpojí bezpečnostný blokovací systém sedadla.	Ak obsluha sedí na sedadle a ikona svieti, okamžite zastavte prevádzku traktora a skontrolujte pripojenie sedadla. Ak sa potvrdí, že spojenie sedadla s traktorom je správne, obráťte sa na kvalifikovaného servisného technika, ktorý vykoná opravu.
	Ikona vypínača napájania bliká	NESVIETI	Nie	Motor čepele bol prerušený a vypínač napájania nie je nastavený do vypnutej polohy.	Pred opätovným naštartovaním traktora stlačte vypínač napájania nadol, aby sa vypli motory čepeľí. Referenčné informácie nájdete v časti „ODSTRANOVANIE PORÚCH“ v tejto príručke.
	Ikona určitého priestoru pre akumulátory bliká.	NESVIETI	Nie	Určitý akumulátor počas vybijania je nadprúdový.	Nie je potrebná žiadna akcia. Traktor môže pokračovať v práci, ak je kombinovaná kapacita akumulátora v Ah, s výnimkou nadprúdového akumulátora, rovná alebo väčšia ako 15 Ah. Keď sa nadprúdový akumulátor vráti do normálu, okamžite sa pripojí k napájaniu traktora a ikona zmizne.
	Ikona prázdneho priestoru pre akumulátory bliká	NESVIETI	Nie	Kapacita akumulátora nie je dostatočná na to, aby traktor mohol pracovať.	Na naštartovanie tohto traktora použite dostatočný počet akumulátorov EGO podľa pokynov uvedených v časti „PRIPOJENIE/ODPOJENIE AKUMULÁTORA“ v tejto príručke.
	Súčasne bliká ikona teploty a presne obsadená priehradka na akumulátory.	NESVIETI	Nie	Akumulátor v príslušnom očíslovanom priečinku na akumulátory je prehriaty.	<ol style="list-style-type: none"> 1. Traktor môže pokračovať v práci, ak kombinovaná kapacita akumulátorov v Ah bez prehriateho akumulátora spĺňa požiadavky. Keď sa prehriaty akumulátor vráti na bežnú teplotu, okamžite sa pripojí k napájaniu traktora. 2. Ak kombinovaná kapacita akumulátorov v Ah nespĺňa požiadavky, traktor nebude fungovať, kým sa do voľných priestorov akumulátorov nevložia ďalšie akumulátory. 3. Pri pokračovaní v práci znížte zaťaženie traktora zvýšením výšky kosenia podvozku alebo znížením rýchlosti jazdy.
	Ikona teploty bliká.	NESVIETI	Jedno pípnutie	Traktor je prehriaty.	Znížte zaťaženie traktora zvýšením výšky kosenia podvozku alebo znížením rýchlosti čepele/jazdnej rýchlosti. Urobte prestávku a nechajte traktor vychladnúť.
				Traktor je príliš studený.	Nevykonávajte opakované pokusy, ktoré by mohli poškodiť stroj. Traktor a akumulátory vždy skladujte v teplom prostredí. Keď je traktor zahriaty, znovu ho naštartujte.

SK

LCD obrazovka	Popis	Kontrolka stavu traktora	Zvukový indikátor	Príčina	Riešenie
	Ikona upozornenia bliká	Bliká na červeno	Jedno pípnutie	Motor čepele je preťažený.	Zvýšte výšku kosenia podvozku alebo znížte rýchlosť jazdy, aby ste znížili zaťaženie traktora.
				Bočný vyhadzovací žlab je upchatý trávou a nečistotami.	Po každom použití vyčistite bočný vyhadzovací žlab.
				Medzi čepeľou a podvozkom traktora dochádza k vzájomnému zasahovaniu.	Zavolajte do zákazníckeho servisu EGO.
	Ikony jednotlivých obsadených priehradiek na akumulátory a ikona upozornenia blikajú súčasne na LCD obrazovke každú 1 sekundu.	Bliká na červeno	Pípanie pokračuje, kým nie je vypínač napájania stlačený nadol.	Akumulátory sú slabo nabité a traktor je v režime nízkeho stavu akumulátora.	Prestaňte pracovať a vráťte sa do oblasti pre nabíjanie akumulátorov. POZNÁMKA: Keď je traktor v režime nízkeho stavu akumulátora, čepele sa automaticky prepnú na nízku rýchlosť otáčania a medzitým bude zvuková kontrolka stále pípať. Obsluha by mala stlačiť vypínač napájania smerom nadol, aby sa vypli motory čepeľí. Po zastavení čepeľí zvuková kontrolka prestane pípať.
	Ikona každej obsadenej priehradky na akumulátory a ikona upozornenia bliká každú pol sekundu.	Bliká na červeno	Pípanie pokračuje	Motor čepele bol prerušený a vypínač napájania nie je nastavený do vypnutej polohy.	Traktor okamžite prestane pracovať. Obsluha by mala traktor prepraviť na miesto nabíjania akumulátora.
	Na LCD obrazovke sa rozsvieti ikona CCS	Svietiaca zelená	Nie	Traktor pokračuje vpred nastavenou rýchlosťou bez toho, aby bolo potrebné zošliapnuť plynový pedál.	Toto je normálna prevádzka. V prípade potreby vypnite funkciu CCS podľa kapitoly „Zastavenie (ukončenie) tempomatu (CCS)“ v príručke.
	Na LCD obrazovke bliká ikona CCS.	NESVIETI	Nie	Zlyhala funkcia CCS (tempomat). Na zastavenie traktora je stlačený pedál parkovacej brzdy.	Funkciu CCS nie je možné nastaviť, keď traktor jazdí veľmi nízkou rýchlosťou alebo pri cúvaní. Po uvoľnení pedálu parkovacej brzdy stlačte tlačidlo CCS a na LCD obrazovke sa rozsvieti ikona CCS alebo ukončíte funkciu CCS podľa pokynov v časti „Zastavenie (ukončenie) tempomatu (CCS)“.
	Na LCD obrazovke sa nerozsvieti ikona vreca	n/a	Nie	Znamená to, že vreca na trávnu nie je namontované na traktore alebo nie je správne namontované.	Vreca na trávnu správne namontujte na traktor.
	Na LCD obrazovke bliká ikona plného vreca	n/a	Nie	Znamená to, že je vreca na trávnu plná.	Vyprázdňte vreca na trávnu a správne ho vymeňte.

LCD obrazovka	Popis	Kontrolka stavu traktora	Zvukový indikátor	Príčina	Riešenie
n/a	n/a	NESVIETI	Pípanie pokračuje	Traktor je zaparkovaný na svahu a obsluha opustí traktor bez nastavenia pedálu parkovacej brzdy do polohy parkovacej brzdy.	Nastavte pedál parkovacej brzdy do polohy parkovacej brzdy. Ikona parkovacej brzdy sa rozsvieti a zvuková kontrolka prestane pípať.
NESVIETI	Porucha nabíjacieho portu	Svietiaca ČERVENÁ	n/a	Neexistuje žiadne napájanie.	Skontrolujte, či je elektrická zásuvka 220 V - 240 V a či je zásuvka funkčná.
		Svietiaca ČERVENÁ	n/a	Elektronické poruchy, ako napríklad otvorený nabíjací port, prepálená poistka atď.	Zavolajte zákaznícke centrum EGO pre opravu.

CHYBOVÉ KÓDY

Popis	Chybový kód na LCD	Zvukový indikátor	Riešenie
Motor ľavej čepele zlyhal pri otáčaní.	509	Jedno pípnutie	Najprv skontrolujte čepeľ. Ak sa uvoľní, utiahnite skrutku odporúčaným krútiacim momentom. V opačnom prípade sa obráťte na zákaznícke centrum spoločnosti EGO a požiadajte o opravu.
Motor pravej čepele zlyhal pri otáčaní.	609	Jedno pípnutie	

SK

POZNÁMKA: V prípade akýchkoľvek iných chybových kódov zobrazených na LCD obrazovke, ktoré môžu indikovať poruchu PCBA, uvoľnené pripojenie, poruchu motora hnacieho motora, motorov čepeľí atď., vyberte všetky akumulátory a po niekoľkých minútach ich znovu vložte, aby ste traktor reštartovali. Ak sa tým problém nevyrieši, zaznamenajte chybový kód a obráťte sa na stredisko služieb zákazníkom spoločnosti EGO za účelom opravy.

ZÁRUKA

ZÁRUČNÁ POLITIKA EGO

Úplné znenie záručných podmienok EGO nájdete na webovej stránke egopowerplus.eu.

OLVASSA EL AZ ÖSSZES UTASÍTÁST!



OLVASSA EL A HASZNÁLATI ÚTMUTATÓT

BIZTONSÁGI SZIMBÓLUM

A biztonsági szimbólumok célja, hogy felhívják a figyelmet az esetleges veszélyekre. Nagyon figyeljen a biztonsági szimbólumokra és magyarázatokra, ill. ezek megértésére. A szimbólumok figyelmeztetései önmagukban nem hártják el a veszélyeket. Az utasítások és figyelmeztetések nem helyettesítik a megfelelő balesetmegelőző intézkedéseket.

▲ FIGYELMEZTETÉS: A szerszám használata előtt feltétlenül olvassa el és értse meg a jelen kezelési útmutatóban található valamennyi biztonsági utasítást, valamint a „VESZÉLY”, „FIGYELMEZTETÉS”, és „FIGYELEM” biztonsági figyelmeztető szimbólumokat is. Az alább felsorolt utasítások be nem tartása áramütést, tűzveszélyt és/vagy súlyos személyi sérülést idézhet elő.

SZIMBÓLUM JELENTÉSE

Ezen az oldalon olyan biztonsági szimbólumok láthatók és olvashatók, amelyek megjelenhetnek a terméken. Az összeszerelés vagy működtetés előtt olvassa el, értse meg és tartsa be a gép minden utasítását.

BIZTONSÁGI SZIMBÓLUMOK

	Biztonsági figyelmeztetés		Olvassa el és értelmezze a használati útmutatót
	Szemvédő		Tartsa karban a biztonsági eszközöket
	VESZÉLY – Meredek lejtő veszélye		VESZÉLY – Tartsa távol a nézelődőket a pengéktől
	Soha ne vigyen gyerekeket		Figyeljen maga mögé, amikor hátrafelé lép
	FIGYELMEZTETÉS – Ne használja a gépet 12°-osnál meredekebb lejtőn.		VESZÉLY - Repülő tárgyak
	FIGYELMEZTETÉS – TARTSA TÁVOLA KEZÉT ÉS A LÁBÁT		Garantált hangteljesítményszint. Az Európai Közösség irányelve szerint.
	Ne lépjen rá		Az elhasznált elektromos termékek nem helyezhetők a háztartási hulladékok közé. Vigye hivatalos újrahasznosító telephelyre.
	A termék megfelel az érvényes EK irányelveknek		FIGYELEM – Ne nézzen a bekapcsolt lámpába
	Egyenáram		Ez a termék megfelel az Egyesült Királyság hatályos jogszabályainak.

HU

kPa	kilopascal	RPM	Fordulat / perc
V	Volt	m	méter
in	inch	cm	centiméter
Nm	Newton méter	mm	Milliméter
°C	Celsius	kg	Kilogramm
km/h	Kilométer / óra	IPX4	Külső behatásokkal szembeni védelem

A KÉZIKÖNYVBEN HASZNÁLT SZIMBÓLUMOK



Az információkat figyelembe kell venni



A jelzett művelet leáll

JELLEMZŐK

Feszültség	56 V	
Burkolat mérete	98 cm	
Kerék méret	Első	15 x 6 – 6"
	Hátsó	18 x 7,5 – 8"
Hideg abroncsnyomás	Első	96,5 kPa
	Hátsó	170 kPa
Kés sebesség (RPM)	Akár 3000	
Maximális haladási sebesség	Előre	max. 9,6 km/h
	Hátra	max. 4,8 km/h
Vágási magasság beállítása (12 pozíció)	25 – 100 mm	
Töltési hőmérséklet tartomány	5°C – 40°C	
Működési hőmérséklet	0°C – 40°C	
Tárolási hőmérséklet	-20°C – 70°C	
Súly (akkumulátoregység nélkül)	220 kg	
Mért hangteljesítményszint L_{WA}	97,7 dB(A) K=1,75 dB(A)	
Hangnyomásszint a kezelő fülénél L_{PA}	83,6 dB(A) K=3 dB(A)	
Mért hangteljesítményszint L_{WA} (a 2000/14/EK szerint mérve)	100 dB(A)	
Vibráció a_h	Kéz	0,24 m/s ² K=1,5 m/s ²
	Test	0,18 m/s ² K=1,5 m/s ²

- A névleges rezgési összérték mérése standard bevizsgálási módszerrel történt, és használatával a szerszámok egymással összehasonlíthatók.
- A névleges rezgési összérték a kockázat előzetes felméréséhez is felhasználható.

MEGJEGYZÉS: Az elektromos szerszám aktuális használata közben a rezgés kibocsátás eltérhet attól a névleges értéktől, amellyel a szerszámot használják: a kezelő védelme érdekében a használónak kesztyűt és hallásvédőt kell használnia működtetés közben.

JAVASOLT TARTOZÉKOK

▲ FIGYELMEZTETÉS: Csak az alábbiakban felsorolt tartozékokat használja. Az olyan tartozékok használata, amelyek nem felelnek meg az eredeti eszköz műszaki adatainak, nem megfelelő teljesítményt eredményez, és befolyásolja a biztonságot.

ALKATRÉSZ NEVE	MODELLSZÁM
Gyűjtőkés-készlet	AB3801TD
Mulcsozó csatlakozó	AMP3800T

LEÍRÁS

ISMERJE MEG A TRAKTORT (A1 Ábra)

1. Ülés
2. Kupaktartók
3. Hátsó kerék (hajtó kerék) (x2)
4. Mosó csatlakozó (x2)
5. Burkolat
6. Támasztó kerék (x2)
7. Elülső kerék (x2)
8. Elülső ütköző
9. Rögzítőfék pedál
10. LED-lámpa (x2)
11. Hajtómű
12. Tárolórekesz
13. Rögzítőfék zárókar
14. Kormánykerék
15. Ülőmagasság-beállító kar

16. Fűgyűjtő zsák
17. Töltő csatlakozó
18. USB port
19. Tárolókosár
20. Gázpedál
21. Burkolatmagasság-beállító kar
22. Billentőkar
23. Fogantyú
24. Traktor állapotjelző
25. Kés sebesség beállító gomb
26. FÜNYÍRÓ TOLATÁS gomb
27. Start/stop gomb
28. Menetirány-kapcsoló kar
29. Biztonsági kulcs
30. PTO kapcsoló
31. CCS gomb
32. LED-lámpa gomb/Bluetooth gomb
33. Haladási sebesség beállító gomb
34. Hajtóműburkolat-kioldó gomb
35. Hajtóműburkolat
36. Hajtómű hat akkumulátortartó rekeszszel
37. Akkumulátor kioldógomb

ISMERJE MEG AZ LCD KIJELZŐT (A2 Ábra)

Olvassa el a „TRAKTOR ÁLLAPOTREFERENCIA” és a „HIBAKÓD REFERENCIA” részben a további információkat az LCD-kijelzőn megjelenő ikonokról és jelzőkről.

1. CCS ikon
2. Biztonsági eszköz állapotjelző
3. FÜNYÍRÓ HÁTRAMENET KIKAPCSOLÁSA ikon
4. Meghajtás ikon
5. Hátramenet ikon
6. Biztonsági kulcs ikon
7. LED világítás ikon
8. Bluetooth ikon
9. Késsebesség jelző
10. Üzemóra számláló
11. Üzemanyagmérő
12. Hőmérséklet ikon
13. Riasztás ikon (túlterhelés/kis teljesítmény)
14. Üres akkumulátortartó rekesz ikon
15. Foglalt akkumulátortartó rekesz ikon
16. Hibakód jelző
17. Terhelés jelző
18. Haladási sebesség jelző
19. Tele zsák ikon
20. Nincs zsák ikon

KICSOMAGOLÁS

MEGJEGYZÉS: Ne dobja el a csomagolóanyagot addig, amíg gondosan meg nem vizsgálta a terméket és a működésével nem volt elégedett. Ha a csomag tartalmának listáján felsorolt bármely alkatrész a gépre van szerelve, kérjük, azonnal forduljon az EGO szervizhez.

MEGJEGYZÉS: Az alábbi listán szereplő eszközökön kívül a kézikönyvben említett minden egyéb eszköz csupán ajánlott, de nem képezi a csomag tartalmát.

A CSOMAG TARTALMA (B Ábra)

B-1	Elektromos fűnyíró traktor	B-2	Ülés
B-3	Kormánykerék	B-4	Porvédő kupak
B-5	Kombinált kulcsok	B-6	18 mm-es dugókulcs
B-7	Lépcsős csavarok (1 tartalék)	B-8	M8 csavaranyák (1 tartalék)
B-9	M12 csavaranyák (1 tartalék)	B-10	Alátétek (1 tartalék)
B-11	Biztonsági kulcs	B-12	Mosó gyorscsatlakozó
B-13	Használati útmutató	B-14	Fűgyűjtő zsák (két-két csavarral és anyával az oldalsó konzolokhoz)
B-15	U-alakú konzol	B-16	Oldalsó konzol
B-17	Billentőkar	B-18	Bal és jobb zsák alátámasztó konzol
B-19	Keresztartó rúd	B-20	M8X40 csavar
B-21	M8X25 csavar	B-22	M8 csavaranya

HU

ÖSSZESZERELÉS

A KORMÁNYKERÉK FELSZERELÉSE (C1 Ábra)

C1-1	Kormányoszlop	C1-2	Kormánykerék
C1-3	Középvonal	C1-4	Alátét
C1-5	Csavaranya	C1-6	18 mm-es dugókulcs
C1-7	Porvédő burkolat		

AZ ÜLÉS FELSZERELÉSE (C2 Ábra)

▲ FIGYELMEZTETÉS: A biztonsági reteszelőrendszert tilos leválasztani vagy megkerülni. Ez a traktor váratlan működését okozhatja, ami személyes sérüléshez vezethet.

C2-1	Ülés	C2-2	Csavaranya (M8)
C2-3	Lépcsős csavar	C2-4	Aljzat
C2-5	Dugó		

A FÜGYŰJTŐ ZSÁK FELSZERELÉSE (C3 – C8 Ábra)

C3-1	U-alakú konzol	C3-2	Zsák
C3-2	4 készlet csavar és anya (M8 X 40)	C3-4	Csillag-villáskulcs
C4-1	Oldalsó konzolok	C4-2	4 készlet csavar és anya (M8 X 40)
C4-3	Csillag-villáskulcs	C5-1	Billentőkar
C5-2	1 készlet csavar és anya (M8 X 40)	C5-3	Csillag-villáskulcs
C6-1	Zsák alátámasztó konzolok	C6-2	4 készlet csavar és anya (M8 X 25)
C6-3	Csillag-villáskulcsok	C7-1	Kereszttartó rúd
C7-2	2 csavaranya (M8)	C7-3	Csillag-villáskulcs

BEÁLLÍTÁS

BEÁLLÍTÁS ELŐTT (D1 Ábra)

A VÁGÁSI BURKOLATMAGASSÁG BEÁLLÍTÁSA (D2 Ábra)

A TÁMASZTÓ KEREKEK BEÁLLÍTÁSA (D3 – D6 Ábra)

D3-1	Támasztó kerekek	D5-1	Csavaranya
D5-2	Füles csavar	D6-1	Burkolatmagasság címke

HU

AZ ÜLÉS BEÁLLÍTÁSA (D7 Ábra)

D7-1	Ülésmagasság-beállító kar
------	---------------------------

HASZNÁLAT

MŰKÖDÉS ELŐTT (E1 Ábra)

A RÖGZÍTŐFÉK BEÁLLÍTÁSA (E2 Ábra)

E2-1	Rögztítőfék pozíciója	E2-2	Kioldott pozíció
------	-----------------------	------	------------------

▲ FIGYELMEZTETÉS: A RÖGZÍTŐFÉK-PEDÁL NEM TUDJA LELASSÍTANI A HALADÁSI SEBESSÉGET. SOHA NE PRÓBÁLJA A RÖGZÍTŐFÉK-PEDÁLT LENYOMNI A HALADÁSI SEBESSÉG CSÖKKENTÉSÉHEZ HALADÁS KÖZBEN. HA A RÖGZÍTŐFÉK-PEDÁLT LENYOMJA, DE AZ NINCS A RÖGZÍTŐFÉK POZÍCIÓBAN, AZ ELEKTROMOS FÉK MÁR NEM MŰKÖDIK, ÉS A TRAKTOR SIKLE ÁLL SÍK FELÜLETEN HALADVA. HA EZ LEJTŐN TÖRTÉNIK, A TRAKTOR LECSÚSZHAT A LEJTŐN, AMINT A RÖGZÍTŐFÉK-PEDÁLT FELENGEDIK.

▲ FIGYELMEZTETÉS: HÚZZA FEL A RÖGZÍTŐFÉK ZÁRÓKARJÁT, ÉS AZONNAL NYOMJA LE A RÖGZÍTŐFÉK-PEDÁLT, HOGY A RÖGZÍTŐFÉK POZÍCIÓBA KAPCSOLJA VÉSZHELYZET ESETÉN. A TRAKTOR AZONNAL LEÁLL, ÉS NEM CSÚSZIK LE A LEJTŐN.

AZ AKKAUMULÁTOREGYSÉG CSATLAKOZTATÁSA/ LEVÁLASZTÁSA (E3 – E6 Ábra)

A traktor beindításához összesen legalább 15 Ah (2 X BA4200/BA4200T) teljesítményű EGO akkumulátorokra van szükség. A legjobb teljesítmény eléréséhez javasoljuk összesen legalább 30 Ah teljesítményű EGO akkumulátorok használatát.

E3-1	Burkolat kioldógomb	E5-1	Akkumulátor kioldógomb
------	---------------------	------	------------------------

A TRAKTOR TÖLTÉSE

Kizárólag az ajánlott akkumulátoregységeket és töltőket használja.

- Töltse külön az akkumulátoregysége(ke)t (E7 ábra)

MEGJEGYZÉS: A részletes utasításokat lásd az akkumulátor és a töltő megfelelő kézikönyveiben.

- Töltse az akkumulátoregysége(ke)t a töltő csatlakozón keresztül (E8 – E10 ábra)

E10-1	Porvédő kupak	E10-2	Töltő csatlakozó
-------	---------------	-------	------------------

A BIZTONSÁGI RETESZELŐRENDSZER ELLENŐRZÉSE

- A burkolat-kés rendszer ellenőrzése (E11 – E12 ábra)
- A hajtásrendszer ellenőrzése (E13 – E14 ábra)

Ha a burkolat-kés rendszer és/vagy a vezetőrendszer nem áll le, amikor a kezelő lezáll az ülésről, és ha ennek az okát nem találják azután, hogy ellenőrzik az ülés csatlakozója és aljzata közötti csatlakozást, akkor haladéktalanul forduljon az EGO ügyfélszolgálatához.

KOMMUNIKÁCIÓS TECHNOLÓGIA

A csatlakoztatott termékek és szolgáltatások teljes választékáról, valamint a csatlakoztatási utasításokról az alábbi QR-kód beolvasásával vagy a www.egopowerplus.eu/connect weboldalon tájékozódhat.



ELLENŐRZŐ LISTA A MŰKÖDÉS ELŐTT

- Ügyeljen arra, hogy a munkaterületen ne legyenek gyermekek, nézelődők és állatok.
- Tisztítsa meg a munkaterületet azoktól a tárgyaktól, amelyeket a traktor kései elszórhatnak.
- Tisztítsa meg a traktort a törmeléktől.
- Ellenőrizze, hogy nincsenek-e meglazult kötélemek.
- Ellenőrizze, hogy minden védőburkolat a helyén van, és megfelelően működik-e.
- Ellenőrizze szemrevételezéssel, hogy a gumibroncsok fel vannak-e fújva.
- Ellenőrizze a fék működését.

- Állítsa be a burkolat magasságát a gyepphez legjobban illeszkedő vágási pozícióba, és ennek megfelelően állítsa be a támasztó kerekeket.
- Állítsa be az ülés pozícióját, és győződjön meg arról, hogy mindkét pedált elérí.
- Ellenőrizze az akkumulátor töltöttségi szintjét.
- Ellenőrizze a biztonsági reteszelőrendszert.
- Győződjön meg arról, hogy a fűgyűjtő zsák megfelelően van felszerelve.

A TRAKTOR BEINDÍTÁSA (E15 – E16 Ábra)

▲ FIGYELMEZTETÉS: Kerülje a hirtelen indulásokat, leállításokat és kanyarodásokat, valamint a túl nagy sebességet, különösen addig, amíg meg nem ismerkedik a traktor kezelésével. A traktor gyorsan meg tud fordulni, ami miatt elveszítheti az irányítást felette, és súlyos sérülés szenvedhet és/vagy károsodást okozhat.

▲ FIGYELMEZTETÉS: A traktor elindítása előtt ellenőrizze és bizonyosodjon meg róla, hogy a kések 5 másodpercen belül szabadon mozognak, amikor lenyomja a PTO kapcsolót. Ha a kések nem állnak le, akkor ne használja a traktort, és haladéktalanul forduljon az EGO ügyfélszolgálatához.

MEGJEGYZÉS:

- Ha a rögzítőfék-pedal rögzítőfék pozícióra van állítva, az LCD-kijelző megvilágításához csak 3 másodpercig kell nyomva tartania a start/stop gombot, majd a traktor vezetése előtt fel kell engednie a rögzítőfék-pedált.
- A vágópengék bármikor elindíthatók, ha az LCD-kijelző teljesen megvilágított, és a menetirány-kapcsoló kart nem húzza hátra az "R" irányba. Ha a traktor hátrameneti vezetése közben kívánja bekapcsolni a késeket, olvassa el a kézikönyv „**A KÉSEK BEKAPCSOLÁSA HÁTRAMENET KÖZBEN**” című részét.

MEGJEGYZÉS: A legkisebb haladási sebesség eléréséhez kövesse az E17 ábrát, amíg teljesen meg nem ismeri a traktor kezelését minden helyzetben.

Az elektromos fűnyíró traktor nem jegyzi meg a haladási sebességet és a kés sebességének beállításait. A haladási sebesség és a kés sebessége a traktor minden egyes kikapcsolásakor visszatér a 2. szintre.

A haladási sebesség beállítása (E17 ábra)

A kés sebességének beállítása (E18 ábra)

MEGJEGYZÉS: Amikor a "3. szinten" van, nyomja meg újra a kés sebességének beállítása gombot, és a kés sebessége visszatér az előző sebességhez.

LED-lámpák (E19 ábra)

- A LED-es fényszórókat a LED-lámpa kapcsolóval lehetett be- és kikapcsolni.

USB port

MEGJEGYZÉS: Az USB port 5 Volt egyenáramú töltési teljesítményt biztosít 1,5 A-ig, és csak a traktor indításakor kapcsol be.

A TRAKTOR LEÁLLÍTÁSA (E20 Ábra)

▲ FIGYELMEZTETÉS: A rögzítőfék-pedal mindig állítsa rögzítőfék pozícióra, amikor a traktor lejtőn áll meg, különben a traktor lecsúszhat a lejtőn, ami a traktor súlyos károsodását vagy személyi sérülést okozhat!

MEGJEGYZÉS: Abban az esetben, ha a rögzítőfék-pedal rögzítőfék pozícióra van állítva, és a kezelő nincs az ülésen, de az akkumulátoregységeket nem távolították el:

- Ha az LCD-kijelző ki van kapcsolva, az akkumulátor töltöttségjelzői, a start/stop gomb és a CCS gomb 1 órán keresztül világítanak.
- Abban az esetben, ha az LCD-kijelzőn megjelenik az "üzemanyagszint-mérő" vagy a kezelői felület, a traktor 1 óra után automatikusan kikapcsol.

Szükségfutas mód

Amikor az akkumulátor töltöttsége kritikusan alacsonnyá válik, a traktor szükségfutas módba kapcsol, hogy elegendő energiát tartson fenn a töltőhelyre való visszatéréshez.

- A kések alacsony fordulatszámra kapcsolnak, amivel a fűnyíró csak nagyon kevés fűvet tud levágni. Ha magas és sűrű fűvel találkozik, a kések leállnak. A hangjelző időszakosan megszólal (sípolás).
- A traktor állapotjelzője másodpercenként pirosan felvillan, mind a riasztás ikon (alacsony teljesítmény), mind az egyes elfoglalt akkumulátortartók ikonja villog.

A kezelőnek a következőket kell tennie:

- Nyomja lefelé a PTO kapcsolót a késmotorok kikapcsolásához. A hangjelzés megszűnik, amikor a késmotorok leállnak.
- Hagyja abba a munkát, és a lehető leghamarabb menjen az akkumulátortöltő területre. A traktor maximum 1000 m távolságot képes megtenni.

Amikor az akkumulátor már majdnem lemerül, akkor mind a riasztás ikon (alacsony teljesítmény), mind az egyes elfoglalt akkumulátortartók ikonja fél másodpercenként felvillan. A traktor működése azonnal leáll. A kezelőnek kell a traktort a töltőhelyre szállítania a töltéshez.

MEGJEGYZÉS: Ha kézzel kell tolni, akkor ügyeljen arra, hogy az akkumulátorok le legyenek választva a traktorról, és a rögzítőfék-pedal fel legyen engedve a rögzítőfék pozícióból.

A TRAKTOR VEZETÉSE (E21 Ábra)

▲ VESZÉLY: Maradjon legalább két fűnyírási sáv szélességre minden ároktól, szakadéktól és víztől. Az elülső kerekek a traktor leállításakor akkor is foroghatnak, ha használják a féket, így a traktor áthaladhat a peremen, vízbe hajthat, és halált vagy súlyos személyi sérülést okozva.

▲ FIGYELMEZTETÉS: Ne használja a traktort közúton.

▲ FIGYELMEZTETÉS: Ha akadályba ütközik, vagy idegen tárgyba akad, állítsa le a motort, és vegye ki az akkumulátorokat. Távolítsa el a fűmaradványokat, leveleket, koszt és egyéb felhalmozódott törmelékét; nézze át alaposan, hogy nem károsodott-e a traktor, és javítsa ki a sérülést, mielőtt újraindítaná és tovább használná a fűnyírót.

MEGJEGYZÉS:

- Ha vezetés közben elhagyja az ülést, a traktor állapotjelzője kialszik. Amikor folytatja a vezetést, üljön vissza az ülésre, és nyomja le teljesen a rögzítőfék-pedált, hogy a traktor állapotjelzője zölden világítson.
- Ha menet közben előre- és hátramenet között vált, a menetiránykapcsoló kart közvetlenül az egyik végéről a másikra kell mozgatni anélkül, hogy semleges helyzetben állna meg, különben a traktor leállhat.


A SEBESSÉGTARTÓ AUTOMATIKA (CCS) HASZNÁLATA

A sebességtartó automatika (CCS) aktiválása (belépés) (E22 ábra)


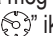
MEGJEGYZÉS: A sebességtartó automatika módban az LCD-kijelzőn megjelenő haladási sebesség nem feltétlenül tükrözi pontosan a traktor tényleges haladási sebességét. Nyomja meg a sebességbeállítás gombot a vezetési sebesség szintjének „frissítéséhez” az LCD-kijelzőn.

A sebességtartó automatika (CCS) megállításához (kilépéshez) három mód közül választhat:

- Nyomja le teljesen a gázpedált, és tartsa lenyomva. A CCS funkció leáll, a traktor pedig tovább halad.
- Kissé nyomja le a gázpedált, majd engedje fel. A traktor és a CCS funkció leáll.
- Nyomja meg a CCS gombot. A traktor és a CCS funkció leáll.

MEGJEGYZÉS: A CCS leállításakor a „” ikon eltűnik az LCD-kijelzőről, és kétszer sípol.

HU

MEGJEGYZÉS: Ha a rögzítőfék-pedált lenyomják, a traktor leáll, de az LCD-kijelzőn villog a „” ikon, jelezve, hogy a CCS készenléti állapotban van. Ebben az esetben engedje fel a rögzítőfék-pedált, nyomja meg a CCS gombot. A traktor automatikusan folytatja a vezetést, és a „” ikon abbahagyja a villogást.

A KÉSEK BEKAPCSOLÁSA HÁTRAMENETBEN VEZETÉS KÖZBEN

MEGJEGYZÉS: Nem javasolt a fűnyírás hátramenetben.


FIGYELMEZTETÉS: Legyen rendkívül óvatos, ha hátramenetben nyír fűvet. Mielőtt és miközben hátramenetben végez fűnyírást, mindig győződjön meg róla, hogy senki sem lép be a munkaterületre, különösen kisgyermek.

FIGYELMEZTETÉS: A kezelő számára a láthatóság romolhat, amikor a felhelyezett fűgyűjtő zsákkal működteti a traktort. Mindig fokozott óvatosságra van szükség, és meg kell ismerni a környezetet hátramenetben végzett fűnyírás előtt és közben.


A FŰNYÍRÁS HÁTRAMENETBEN aktiválása (belépés) (E23)

Az alábbi négy mód közül választhat, ha leállítja a FŰNYÍRÁS HÁTRAMENETBEN műveletet (kilép):

- Nyomja meg egyszer a FŰNYÍRÁS HÁTRAMENETBEN gombot.
- Emelje el magát a traktorülésről.
- Nyomja meg a start/stop gombot 3 másodpercig az LCD-kijelző kikapcsolásához.
- A traktor leállításához vegye ki a biztonsági kulcsot, vagy távolítsa el az akkumulátoregysége(ke)t.

MEGJEGYZÉS: Ha a FŰNYÍRÁS HÁTRAMENETBEN leáll, a „” ikon kigyullad az LCD-kijelzőn.

A FŰGYŰJTŐ ZSÁK ÜRÍTÉSE (E24 Ábra)

MEGJEGYZÉS: Amikor a „” ikon villog az LCD-kijelzőn, a fűgyűjtő zsák megtelt. A fűgyűjtő zsák kiürítése után a „” ikon eltűnik az LCD-kijelzőről.

MEGJEGYZÉS: A fűgyűjtő zsákat megfelelően vissza kell helyezni a traktorra, különben a traktor meghajtható, de a késmotorok nem kapcsolhatók be.

KARBANTARTÁS

FIGYELMEZTETÉS: Mindig viseljen oldalsó védőlemezzel ellátott védőszemüveget. Amennyiben ezt elmulasztja, tárgyak repülhetnek a szemébe, súlyos sérülést okozva.

FIGYELMEZTETÉS: Mindig védje a kezét nagy teherbírású kesztyűvel vagy úgy, hogy a vágóéleket betekeri rongyokba vagy más anyagokba, amikor karbantartást végez a traktor pengéjén. Mindig vegye ki a biztonsági kulcsot és az akkumulátoregységeket a traktor szervizelése vagy szállítása esetén.

JAVASOLT KARBANTARTÁSI ÜTEMTERV(EK)

Karbantartási szerviz intervallum	Karbantartási eljárás
Minden használat előtt vagy naponta	<ul style="list-style-type: none"> Ellenőrizze a biztonsági reteszelőrendszert. Ellenőrizze szemrevételezéssel, hogy a gumibroncsok fel vannak-e fújva. Ellenőrizze a késeket. Ellenőrizze az egész terméket a sérült, hiányzó vagy meglazult alkatrészek, például az oldalsó fűgyűjtő rekesz, csavarok, anyák, sapkák stb. szempontjából, és győződjön meg arról, hogy minden védőelem a helyén van, és megfelelően működik-e. Ellenőrizze, hogy a gázpedál megfelelően lenyomható és elengedhető-e. Ellenőrizze a kormánykerék csillapítóját. A kormánykereket bizonyos ellenállással kell forgatni.
Minden használat után	<ul style="list-style-type: none"> Tisztítsa meg a traktort, és mossa le a burkolatot.

25 óránként	<ul style="list-style-type: none"> Ellenőrizze az abroncsnyomást.
100 óránként	<ul style="list-style-type: none"> Ellenőrizze a hátsó kerekeket, és bizonyosodjon meg róla, hogy az összes kerékanya a javasolt nyomatékkal (101–103 Nm) van meghúzva. Ellenőrizze az elülső kerekeket, és bizonyosodjon meg róla, hogy az anya a javasolt nyomatékkal (90–92 Nm) van meghúzva.
200 óránként	<ul style="list-style-type: none"> Ellenőrizze az első kerekeket, és bizonyosodjon meg róla, hogy szabadon forognak.
Félévente	<ul style="list-style-type: none"> Ellenőrizze a rögzítőfék pedált. Vegye ki az akkumulátort a traktorból, majd húzza fel a rögzítőfék zárókarját, és nyomja le a rögzítőfék-pedált a rögzítőfék beállításához. Kézzel tolja előre a traktort, és ellenőrizze, hogy a traktor mozgatható-e a hátsó kerekek forgása nélkül. Ha a traktor mozog, és a hátsó kerekek forognak, kérjük, forduljon EGO ügyfélszolgálathoz javítás céljából.
Tárolásra elrakás előtt	<ul style="list-style-type: none"> Vegye ki az akkumulátorokat a traktorból. Vegye ki a biztonsági kulcsot a traktorból. Végezze el a fentiekben felsorolt összes karbantartási műveletet, és alaposan tisztítsa meg a traktort. Ellenőrizze a teljes terméket a sérült, hiányzó vagy meglazult alkatrészek szempontjából, és a tárolásra elrakás előtt cserélje ki vagy húzza meg a megfelelő alkatrészeket.
Évente	<ul style="list-style-type: none"> Kenje meg az elülső kerekek tengelyhüvelyét.

ÁLTALÁNOS KARBANTARTÁS

A fű kiürítése (F1 – F3 ábra)

A traktorház tisztítása (F4 ábra)

A mosó csatlakozó használata a traktor burkolatának tisztításához (F5 – F6 ábra)

F5-1	Mosó csatlakozó	F5-2	Mosó gyorscsatlakozó
F5-3	Kerti tömlő		

MEGJEGYZÉS: A tisztítás befejezésekor kapcsolja ki teljesen a traktort, majd vegye le a kerti tömlőt és a gyorscsatlakozót.

A TRAKTORBURKOLAT ÉS A VÁGÓKÉESK KARBANTARTÁSA

Előkészítés (G1 ábra)

A traktor burkolatának eltávolítása (G2 – G3 ábra)

G2-1	Motor kábel	G2-2	Biztosító szeg
G2-3	Felfüggesztésrudazat		

A vágókések cseréje (G4 – G6 ábra)

G4-1	Stabilizátor	G5-1	Csavar
G5-2	Alátét	G5-3	Penge
G5-4	Karima	G5-5	Motortengely

A burkolat színtezése

a. Mikor kell színtezni (G7 ábra / G8 ábra / G9 ábra)

b. Színtezés előtt

- A hideg abroncsnyomás ellenőrzése (G10 ábra)
- A vágókések ellenőrzése. Vegye ki és cserélje le az elhasználódott, repedt és/vagy meghajlott késeket, ha szükséges.

c. A színtezés előkészítése (G11 ábra)

d. Hogyan végezzük a színtezést

- Az oldalirányú beállítás elvégzése (G12 ábra)
- Az előre-hátra irányuló beállítás elvégzése (G13 ábra)

TÁROLÁS ÉS SZÁLLÍTÁS

A TRAKTOR SZÁLLÍTÁSA (H1 – H5 Ábra)

H2-1	Rámpák	H2-2	Pántok
------	--------	------	--------

MEGJEGYZÉS: Rögzítse a traktort szükség szerint hevederek vagy kábelek segítségével, hogy ne mozoghasson szállítás közben.

TÁROLÁS (I1 – I2 Ábra)

MEGJEGYZÉS: Az akkumulátoregysége(ke)t külön távolítsa el és tárolja, lásd a megfelelő kézikönyveket.

Tárolás előtt tisztítsa meg és ellenőrizze a traktort, lásd az „ÁLTALÁNOS KARBANTARTÁS” és az „AJÁNLOTT KARBANTARTÁSI ÜTEMTERV(EK)” szakaszokat.

Környezetvédelem


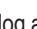


WEEE (Elektromos és elektronikus berendezések hulladékai) Ne dobjon elektromos berendezést, használt akkumulátort és töltőt a háztartási hulladékok közé! Vigye hivatalos újrahasznosító telephelyre, és tegye hozzáférhetővé a szelektív gyűjtéshez. Az elektromos eszközöket megfelelő, környezetbarát újrahasznosító üzembe kell vinni.

HIBAELHÁRÍTÁS

PROBLÉMA	OK	MEGOLDÁS
Az elektromos fűnyíró traktor nem halad, amikor a gázpedált lenyomja.	<ul style="list-style-type: none"> A behelyezett akkumulátorok kombinált Ah értéke nem felel meg a követelménynek. 	<ul style="list-style-type: none"> A traktor elindításához használjon elegendő EGO akkumulátort a kézikönyv „AZ AKKUMULÁTOREGYÉG CSATLAKOZTATÁSA/ LEVÁLASZTÁSA” című részében található utasításokat követve.
	<ul style="list-style-type: none"> A parkoló fékpedál fékezési pozícióba van állítva. 	<ul style="list-style-type: none"> Nyomja le teljesen a rögzítőfék-pedált, hogy kioldja a rögzítőfék pozícióból.
	<ul style="list-style-type: none"> A traktor állapotjelzője nem világít zölden. 	<ul style="list-style-type: none"> Nyomja le a rögzítőfék-pedált, majd engedje fel. A traktor állapotjelzője zölden világít, ami azt jelenti, hogy a traktor készen áll az indításra.
	<ul style="list-style-type: none"> A kezelő nem ül az ülésen. 	<ul style="list-style-type: none"> A traktor csak akkor működtethető, ha a kezelő megfelelően ül az ülésen.
	<ul style="list-style-type: none"> Az ülés biztonsági reteszelő rendszere nincs megfelelően csatlakoztatva. 	<ul style="list-style-type: none"> Vegye ki az akkumulátorokat a traktorból, és emelje fel az ülés háttámláját, majd győződjön meg róla, hogy a kábeldugasz megfelelően csatlakozik az ülés alján levő aljzathoz („AZ ÜLÉS FELSZERELÉSE”). Kövesse a „TRAKTOR BEINDÍTÁSA” szakasz utasításait a traktor újraindításához, és állapítsa meg, hogy a traktor beindítható-e. Ellenkező esetben forduljon az EGO ügyfélszolgálathoz, és kérje a javítást.
	<ul style="list-style-type: none"> Rendkívül hideg időjárás esetén előfordulhat, hogy a vezetési funkció nem indul el sikeresen az alacsony hőmérsékleti védelem miatt. 	<ul style="list-style-type: none"> A traktort és az akkumulátorokat mindig meleg környezetben tárolja. Akkor indítsa újra a traktort, ha felmelegedett. Kérjük, ne próbálkozzon többször nagyon hideg időjárás esetén, ami károsíthatja a gépet.
	<ul style="list-style-type: none"> A gázpedál mozgási útja eltömődött törmelékkel. 	<ul style="list-style-type: none"> Ellenőrizze és távolítsa el a törmelékkel
	<ul style="list-style-type: none"> A gázpedál mechanikus vagy elektronikus alkatrészeinek meghibásodása. 	<ul style="list-style-type: none"> A javításért forduljon az EGO ügyfélszolgálathoz.
A elektromos fűnyíró traktor megáll.	<ul style="list-style-type: none"> A menetirány-kapcsoló kar üresállásban van. 	<ul style="list-style-type: none"> Tolja/húzza a menetirány-kapcsoló kart a „D” vagy „R” irányba.
	<ul style="list-style-type: none"> Amikor menet közben előre- és hátramenetre vált, a menetirány-kapcsoló kar hosszú ideig üres állásban marad. 	<ul style="list-style-type: none"> Engedje fel a gázpedált, majd nyomja le újra.
	<ul style="list-style-type: none"> A gázpedál elektronikus alkatrészeinek meghibásodása. 	<ul style="list-style-type: none"> A javításért forduljon az EGO ügyfélszolgálathoz.
	<ul style="list-style-type: none"> Az ülés biztonsági reteszelőrendszere durva terepen való vezetés közben kikapcsolódott. 	<ul style="list-style-type: none"> Vegye ki az akkumulátorokat a traktorból, és emelje fel az ülés háttámláját, majd győződjön meg róla, hogy a kábeldugasz megfelelően csatlakozik az ülés alján levő aljzathoz („AZ ÜLÉS FELSZERELÉSE”). Kövesse a „TRAKTOR BEINDÍTÁSA” szakasz utasításait a traktor újraindításához, és állapítsa meg, hogy a traktor beindítható-e. Ellenkező esetben kérjen javítást az EGO ügyfélszolgáltatótól.
	<ul style="list-style-type: none"> A kezelő súlya nem egyenletesen oszlik el az ülésen. Az ülésen ülő kezelő súlyának legalább 20 kg-nak kell lennie ahhoz, hogy az ülés biztonsági reteszelő rendszere megfelelően működjön. 	<ol style="list-style-type: none"> Üljön megfelelően az ülésre, teljesen nyomja le a rögzítőfék-pedált, és engedje fel, ekkor a traktor készen áll a haladásra. Szükség esetén válassza le és csatlakoztassa újra az akkumulátorokat.
<ul style="list-style-type: none"> Amint a rögzítőfék-pedált eléggé lenyomja, de nem rögzíti a parkolási helyzetben, a traktor megáll. 	<ul style="list-style-type: none"> A traktor újraindításához kövesse a „TRAKTOR BEINDÍTÁSA” szakasz utasításait. BEINDÍTÁSA” részben található utasításokat. 	

PROBLÉMA	OK	MEGOLDÁS
Az elektromos fűnyíró traktor nem indítja el a késeket, amikor a PTO kapcsoló aktiválva van. A PTO kapcsoló ikon villog	<ul style="list-style-type: none"> A behelyezett akkumulátorok kombinált Ah értéke nem felel meg a követelménynek. 	<ul style="list-style-type: none"> A traktor elindításához használjon elegendő EGO akkumulátort a kézikönyv „AZ AKKUMULÁTOREGYÉG CSATLAKOZTATÁSA/ LEVÁLASZTÁSA” című részében található utasításokat követve.
	<ul style="list-style-type: none"> A PTO kapcsoló nem volt lenyomva, amikor a traktort utoljára kikapcsolták. 	<ul style="list-style-type: none"> Nyomja lefelé, majd felfelé a PTO kapcsolót a késmotorok újraindításához.
	<ul style="list-style-type: none"> A traktor túlterhelt, amikor a kések elkezdnek forogni, ezért beindult a késmotorok önvédelmi mechanizmusa. 	<ul style="list-style-type: none"> Indítsa be a fűnyírást először kis késsebességgel, és amíg a kések forogni nem kezdenek, ne gyorsítsa a késsebességet.
	<ul style="list-style-type: none"> Rendkívül hideg időjárás esetén előfordulhat, hogy a kés motorja nem indul el sikeresen az alacsony hőmérsékleti védelem miatt. 	<ul style="list-style-type: none"> A traktort és az akkumulátorokat mindig meleg környezetben tárolja. Akkor indítsa újra a traktort, ha felmelegedett. Kérjük, ne próbálkozzon többször nagyon hideg időjárás esetén, ami károsíthatja a gépet.
	<ul style="list-style-type: none"> A kések elakadnak a traktor eldeformálódott burkolatában 	<ul style="list-style-type: none"> A javításért forduljon az EGO ügyfélszolgálathoz.
	<ul style="list-style-type: none"> A fűgyűjtő zsák nincs megfelelően felszerelve. 	<ul style="list-style-type: none"> Szerelje be megfelelően a fűgyűjtő zsákot a kézikönyv „A FÜGYŰJTŐ ZSÁK FELSZERELÉSE” szakaszát követve.
A kések forgása fűnyírással közben leáll.	<ul style="list-style-type: none"> A traktor túlterhelt. 	<ul style="list-style-type: none"> Emeljen a burkolat vágásmagasságán, vagy lassítson a menetsebességen a traktor terhelésének csökkentéséhez.
	<ul style="list-style-type: none"> A burkolat eltömődött fűvel vagy törmelékkel. 	<ul style="list-style-type: none"> Tisztítsa meg a burkolatot, és ellenőrizze, hogy a kések szabadon mozognak-e.
	<ul style="list-style-type: none"> A traktor túlmelegedett. 	<ul style="list-style-type: none"> Csökkentse a traktor terhelését úgy, hogy megemeli a burkolat vágásmagasságát, vagy lassít a kés-/menetsebességen, és hagyja visszahűlni a traktort.
	<ul style="list-style-type: none"> Az akkumulátoregység(ek) túlmelegedett (túlmelegedtek) a traktor akkumulátortartó rekeszében, ezért a beillesztett akkumulátorok együttes Ah értéke nem felel meg a követelménynek 	<ol style="list-style-type: none"> A traktor akkor tud tovább működni, ha az akkumulátorok együttes Ah értéke megfelel a követelménynek, a túlmelegedett akkumulátort kivéve. Amikor a túlmelegedett akkumulátor visszatér a normál hőmérsékletre, akkor az is azonnal elkezd táplálni a traktort. Ha az akkumulátorok együttes Ah értéke nem felel meg a követelményeknek, akkor a traktor nem fog működni, amíg további akkumulátoregységeket nem helyeznek a szabad akkumulátortartó rekeszekbe. Csökkentse a traktor terhelését úgy, hogy megemeli a burkolat vágásmagasságát, vagy lassít a fűnyírással sebességén, amikor újra elkezd működtetni.
	<ul style="list-style-type: none"> A traktor szükségfutás módban van. 	<ul style="list-style-type: none"> Amikor a traktor szükségfutás módban van, a kések automatikusan kis forgási sebességre állnak. A kezelőnek abba kell hagynia a munkát, és a lehető leghamarabb az akkumulátortöltő területre kell mennie.
	<ul style="list-style-type: none"> A traktor idegen tárgynak ütközött, ezért beindult a motor önvédelmi mechanizmusa. 	<ul style="list-style-type: none"> Nyomja lefelé, majd felfelé a PTO kapcsolót a késmotorok újraindításához.
	<ul style="list-style-type: none"> A traktor hátramenetben mozog, miközben az LCD-kijelzőn világít a FŰNYÍRÁS HÁTRAMENETBEN ikon. 	<ul style="list-style-type: none"> Nyomja le a PTO kapcsolót, és indítsa be újra a késmotorokat a „A FŰNYÍRÁS HÁTRAMENETBEN aktiválása (belépés)” szakasz utasításait követve.
A hangjelző továbbra is megszólal.	<ul style="list-style-type: none"> A traktor szükségfutás módban van, és a kések nincsenek leállítva. 	<ul style="list-style-type: none"> Nyomja le a PTO kapcsolót a késmotorok kikapcsolásához. A hangjelzés megszűnik, amikor a késmotorok kikapcsolnak.
	<ul style="list-style-type: none"> A traktor a lejtőn leáll, a kezelő pedig kiszáll az ülésből anélkül, hogy rögzítőfék pozícióba állította volna a rögzítőfék-pedált. 	<ul style="list-style-type: none"> Állítsa a rögzítőfék-pedált rögzítőfék pozícióba, mielőtt a lejtőn hagyná a traktort.

PROBLÉMA	OK	MEGOLDÁS
Az akkumulátoregységek töltöttségjelzői a traktor kikapcsolásakor is világítanak.	<ul style="list-style-type: none"> Ha a traktort sík talajon állítják le az akkumulátoregység(ek) kivétele nélkül, akkor a töltöttségjelzők egy adott ideig még világítanak. Ha a traktort a rögzítőfék behúzása nélkül állítják le lejtőn, az akkumulátoregységek teljesítményjelzői mindaddig világítanak, amíg az akkumulátorok le nem merülnek. A hangjelző ugyanakkor hangjelzést ad. 	<ul style="list-style-type: none"> Művelet nem szükséges. Az akkumulátor töltöttségjelzők kialszanak, amikor a traktor egy idő után kikapcsol. Lásd „A TRAKTOR LEÁLLÍTÁSA” részben az adott idő meghatározását Állítsa a rögzítőfék-pedált rögzítőfék pozícióba, mielőtt a lejtőn hagyná a traktort. Ellenkező esetben a traktor lecsúszhat a lejtőn.
	Az LCD kijelző nem világít, amikor mindegyik ikon működésben van.	<ul style="list-style-type: none"> A start/stop gombot nem nyomják le elegendő ideig.
<ul style="list-style-type: none"> Amikor a biztonsági gomb ikon „” villog az LCD-kijelzőn, a biztonsági kulcs nincs behelyezve. 		<ul style="list-style-type: none"> Helyezze be a biztonsági kulcsot, majd nyomja le teljesen a rögzítőfék-pedált, és nyomja meg egyszerre a start/stop gombot az LCD-kijelző bekapcsolásához.
<ul style="list-style-type: none"> Amikor a rögzítőfék ikon „” villog az LCD-kijelzőn, a rögzítőfék-pedál nincs teljesen lenyomva. 		<ul style="list-style-type: none"> Helyezze be a biztonsági kulcsot, majd nyomja le teljesen a rögzítőfék-pedált, és nyomja meg egyszerre a start/stop gombot az LCD-kijelző bekapcsolásához.
A traktor egyenetlenül vág, jelentős magasságtérpeltéréssel az elülső és a hátsó rész között.	<ul style="list-style-type: none"> A kések tompák. 	<ul style="list-style-type: none"> Élezze meg, vagy cserélje a vágókéseket a kézikönyvben leírt módon.
	<ul style="list-style-type: none"> A kések elgörbültek. 	<ul style="list-style-type: none"> Cserélje le a meghajlott vágókéseket „A vágókések cseréje” című részben leírtak szerint.
	<ul style="list-style-type: none"> A burkolat nincs szintezve, ezért a vágókések magassága eltérő 	<ul style="list-style-type: none"> Végezze el a burkolat szintezését „A burkolat szintezése” című részben leírtak szerint.
A tényleges vágási magasság nem egyezik a kért magassággal.	<ul style="list-style-type: none"> A burkolat anyacsavarjai meglazultak a felfüggesztés-rudazatnál. 	<ul style="list-style-type: none"> Kövesse „A burkolat szintezése” című részben leírt utasításokat a traktor burkolatán az elülső-hátsó beállítás helyes elvégzéséhez, majd szorítsa meg az anyákat a felfüggesztés rudazatán.
	<ul style="list-style-type: none"> A burkolat sérült vagy nagyon elkopott. 	<ul style="list-style-type: none"> Kövesse „A burkolat eltávolítása” című részben leírt utasításokat a traktor burkolatának visszahelyezéséhez.
A traktor nem megfelelően aprít.	<ul style="list-style-type: none"> Nedves lenyírt fű ragadt a burkolat aljára. 	<ul style="list-style-type: none"> Fűnyírás előtt várjon, amíg a fű megszárad.
	<ul style="list-style-type: none"> A traktor úgy van beállítva, hogy egyszerre túl sok fűvet nyírjon. 	<ul style="list-style-type: none"> Emeljen a burkolat vágásmagasságán.
Túlzott vibráció.	<ul style="list-style-type: none"> A vágókések lazák. 	<ul style="list-style-type: none"> Húzza meg a kés csavarját az ajánlott nyomatékkal.
	<ul style="list-style-type: none"> A kések elgörbültek. 	<ul style="list-style-type: none"> Cserélje le a meghajlott vágókéseket „A vágókések cseréje” című részben leírtak szerint.
	<ul style="list-style-type: none"> A burkolat nincs szintezve. 	<ul style="list-style-type: none"> Végezze el a traktor burkolatának szintezését „A burkolat szintezése” című részben leírtak szerint.
	<ul style="list-style-type: none"> A burkolat anyacsavarjai meglazultak a felfüggesztés-rudazatnál. 	<ul style="list-style-type: none"> Húzza meg az anyákat a felfüggesztés rudazatán.
	<ul style="list-style-type: none"> A burkolat úgy van beállítva, hogy egyszerre túl sok fűvet nyírjon. 	<ul style="list-style-type: none"> Emeljen a burkolat vágásmagasságán.

PROBLÉMA	OK	MEGOLDÁS
Fűnyírás előtt fűmaradvány vagy törmelék van a földön.	<ul style="list-style-type: none"> A traktor úgy van beállítva, hogy egyszerre túl sok fűvet nyírjon, amikor a fű magas. 	<ul style="list-style-type: none"> Kezdje magas vágásmagassággal, majd csökkentse addig, amíg eléri a kívánt fűnyírási eredményt. A 152 mm-nél magasabb fűvet kétszer kell vágni, egyre alacsonyabb vágásmagasságokkal.
	<ul style="list-style-type: none"> A fű nedves. 	<ul style="list-style-type: none"> Ne nyírja a fűvet, ha nedves. Várja meg, amíg a fű meg nem szárad.
	<ul style="list-style-type: none"> A haladási sebesség túl magas. 	<ul style="list-style-type: none"> Lassítson a menetsebességen.
	<ul style="list-style-type: none"> A kés sebessége alacsony. 	<ul style="list-style-type: none"> Fokozatosan növelje a kés sebességét.
A traktor rövid üzemideje a tartozék akkumulátorokkal.	<ul style="list-style-type: none"> A gyeptereviszonyai, a fű állapota, a vágási magasság beállítása, a haladási sebesség, a kések sebessége stb. nagyban befolyásolja a működési időt. 	<ul style="list-style-type: none"> Emeljen a burkolat vágásmagasságán, és lassítson a kés sebességén a vágási terhelés csökkentéséhez.
A traktor nem egyenesen követi a nyomvonalat.	<ul style="list-style-type: none"> Az abroncsnyomások eltérőek a bal és a jobb hátsó keréknél. 	<ul style="list-style-type: none"> Ellenőrizze és állítsa be a levegőnyomást mind az elülső, mind a hátsó kerékabroncsban a kézikönyv „SPECIFIKÁCIÓK” című részében leírt ajánlásnak megfelelően.
A rögzítőfék-pedált nem lehet kioldani a rögzítőfék pozícióból, vagy lassan ugrik vissza.	<ul style="list-style-type: none"> A rögzítőfék-pedal mozgási útja eltömődött törmelékkel. 	<ul style="list-style-type: none"> Ellenőrizze és távolítsa el a törmeléket.
A traktort nem lehet tölteni a töltőcsatlakozón keresztül, amikor a traktor állapotjelzője folyamatosan pirosan világít.	<ul style="list-style-type: none"> A töltőcsatlakozó nem megfelelően van beillesztve a traktor töltőcsatlakozójába. 	<ul style="list-style-type: none"> Csatlakoztassa újra a töltőcsatlakozót, és ellenőrizze, hogy megfelelően lehet-e tölteni a traktort.
	<ul style="list-style-type: none"> Nincs áram a fali kimenetben. 	<ul style="list-style-type: none"> Művelet nem szükséges. Várjon, amíg a teljesítmény helyreáll.
	<ul style="list-style-type: none"> A töltő hibásan működik. 	<ul style="list-style-type: none"> Kérjük, vegye fel a kapcsolatot az EGO ügyfélszolgálatával, és szükség esetén ellenőriztesse és/vagy javíttassa meg a töltőt szakképzett szerviztechnikussal.
	<ul style="list-style-type: none"> A traktoron a töltőcsatlakozója a hibás. 	<ul style="list-style-type: none"> Kérjen javítást az EGO ügyfélszolgálatától.
A töltési idő a traktor töltőcsatlakozóján keresztül túl hosszú.	<ul style="list-style-type: none"> Az ACA1000 EGO adapterrel való töltés sok időt vesz igénybe. 	<ul style="list-style-type: none"> Használjon EGO CHV1600E töltőt az elektromos fűnyíró traktor közvetlen töltéséhez.
Az akkumulátorok nem tölthetők fel teljesen a traktor töltőcsatlakozóján keresztül.	<ul style="list-style-type: none"> A traktor vagy az akkumulátor firmware-hibája vagy a töltő meghibásodása. 	<ul style="list-style-type: none"> Állítsa vissza a töltőt a töltő csatlakozódugójának kihúzásával és néhány perces várakozással. Ezután csatlakoztassa újra a csatlakozót a tápellátáshoz. Ha ez nem oldja meg a problémát, hívja az EGO ügyfélszolgálatot.
A traktort nem lehet elindítani tisztítás után.	<ul style="list-style-type: none"> Nem megfelelő tisztítás, például víz került az elektromos komponensekbe, az LCD kijelzőre stb. 	<ol style="list-style-type: none"> A traktor megfelelő tisztításához kövesse az „ÁLTALÁNOS KARBANTARTÁS” című fejezetben leírtakat. Ha a traktort véletlenül eső éri, hagyja a levegőn száradni, vagy szárítsa sűrített levegővel.
A burkolat gyorsan eltömődik.	<ul style="list-style-type: none"> A burkolatot nem tisztították meg megfelelően az előző használat után. 	<ul style="list-style-type: none"> Tisztítsa meg a traktor burkolatát minden használat után „A mosó csatlakozó használata a burkolat tisztításához” részben leírtaknak megfelelően.
A traktor irányíthatósága könnyen elveszik, amikor felfelé halad a lejtőn.	<ul style="list-style-type: none"> A hátsó kerekeken az abroncsok elkoptak. 	<ul style="list-style-type: none"> A kerékabroncsok cseréjéhez kérje a helyi szerviz segítségét.
	<ul style="list-style-type: none"> Fűnyírás meredek lejtőn. 	<ul style="list-style-type: none"> A traktort nem szabad az előírtól meredekebb lejtők nyírására használni.

PROBLÉMA	OK	MEGOLDÁS
Amikor a traktort lejtőn állítja le a rögzítőfékpedál lenyomásával, a traktor legurulhat a lejtőn.	<ul style="list-style-type: none"> A fék komponensei túlságosan kopottak a traktor nem megfelelő működtetése miatt. 	<ul style="list-style-type: none"> A javításért forduljon az EGO ügyfélszolgálathoz.
Nem jön víz a mosó csatlakozóból a burkolat mosásakor.	<ul style="list-style-type: none"> A mosó gyorscsatlakozó nincs megfelelően felszerelve a csatlakozóra. 	<ul style="list-style-type: none"> Csatlakoztassa vissza a mosó gyorscsatlakozót, amíg kattanó hangot nem hall, miután határozott mozdulattal beillesztette. Ha nem működik, akkor forduljon az EGO ügyfélszolgálathoz.
A traktor kézzel való tolasakor rendellenes hang hallatszik anélkül, hogy a fűnyírót elindítaná.	<ul style="list-style-type: none"> A hang a hajtómotor belsejében lévő mágnesekből jön. 	<ul style="list-style-type: none"> Nem kell tennie semmit, ez normál jelenség.
A kormánykerék nem forgatható.	<ul style="list-style-type: none"> A kormánykerék szerelvénye eltömődött törmelékkel. 	<ul style="list-style-type: none"> Ellenőrizze és távolítsa el a törmelékét.
A kormánykerék elforgatásakor a traktor nem fordul balra/jobbra.	<ul style="list-style-type: none"> Elektronikus vagy mechanikus alkatrészek meghibásodása. 	<ul style="list-style-type: none"> A javításért forduljon az EGO ügyfélszolgálathoz.
A traktor nem áll meg a gázpedál feleledésekor.	<ul style="list-style-type: none"> A gázpedál visszatérő útja eltömődött törmelékkel. 	<ul style="list-style-type: none"> Ellenőrizze és távolítsa el a törmelékét.
	<ul style="list-style-type: none"> A CCS gombot akaratlanul megnyomják vezetés közben. A traktor sebességtartó automatika üzemmódban van 	<ul style="list-style-type: none"> Ellenőrizze, hogy a CCS ikon világít-e az LCD kijelzőn, és szükség esetén lépjen ki a CCS-ből. Lásd „A SEBESSÉGTARTÓ AUTOMATIKA (CCS) HASZNÁLATA” című fejezetet.
A CCS funkciót nem lehet be- vagy kikapcsolni.	<ul style="list-style-type: none"> A CCS gomb nem megfelelően van lenyomva. 	<ul style="list-style-type: none"> Nyomja meg a CCS gombot, amíg a CCS ikon világítani nem kezd az LCD kijelzőn, vagy el nem tűnik az LCD kijelzőről.
A traktor elülső kerekei rendellenes zajjal forognak	<ul style="list-style-type: none"> Az elülső kerekek tengelyhüvelyei kenést igényelnek. 	<ul style="list-style-type: none"> Vegye ki az akkumulátoregységeket, majd töltsen fel zsírral a befecskendező nyílásokat, amíg a zsír túl nem csordul az elülső kerekek tengelyhüvelyeinek felső vagy alsó szélén.

TRAKTOR ÁLLAPOTREFERENCIÁJA

LCD kijelző	Leírás	Traktor állapotjelző	Audio jelző	Ok	Megoldás
	Üzemanyagszint-jelző ikon	KI	Nem	A behelyezett akkumulátorok átlagos töltési kapacitását jelzi	Ez a normál működés. Művelet nem szükséges.
	Üzemóra számláló ikon	KI	Nem	A traktor teljes menetidejét jeleníti meg órában kifejezve, és nem lehet visszaállítani.	Ez a normál működés. Művelet nem szükséges.
	Terhelésjelző ikon	KI	Nem	A traktor aktuális terhelését jelzi.	Ez a normál működés. Művelet nem szükséges.
	A LED-lámpák ikonja világít az LCD-kijelzőn.	KI	Nem	A fényszórókat a LED-lámpa kapcsoló kapcsolja be.	Ez a normál működés. Művelet nem szükséges.
	A Bluetooth ikon világít az LCD-kijelzőn	KI	Nem	A traktor Bluetooth-on keresztül csatlakozik egy mobil eszközhöz.	Ez a normál működés. Művelet nem szükséges.
	FŰNYÍRÁS HÁTRAMENETBEN KIKAPCSOLVA ikon világít az LCD-kijelzőn.	KI	Nem	Ez azt jelzi, hogy a kések nem kapcsolhatók be, amikor a traktor hátramenetben mozog.	Ez a normál működés. Ha szükséges, kapcsolja be a késeket hátramenet közben a kézikönyv „A KÉSEK BEKAPCSOLÁSA HÁTRAMENET KÖZBEN” szakaszát követve.
	A meghajtás ikon világít az LCD-kijelzőn.	KI	Nem	Azt jelzi, hogy a traktor hajtható előre vagy előre halad.	Ez a normál működés. Helyezze a menetirány-kapcsoló kart „D”, üres vagy „R” helyzetbe igény szerint.
	A hátramenet ikon világít az LCD-kijelzőn.	KI	Nem	Azt jelzi, hogy a traktor vezethető hátramenetben vagy hátrafelé halad.	
	A meghajtás ikon és a hátramenet ikon felváltva villog	KI	Nem	Ez azt jelzi, hogy a traktort nem lehetett vezetni.	
	A biztonsági kulcs ikon világít	KI	Nem	A biztonsági kulcs megfelelően van behelyezve.	Ez a normál működés. Művelet nem szükséges.
	A biztonsági gomb ikon villog, amikor az LCD-kijelzőn megjelenik az „üzemanyagszint-mérő”.	KI	Nem	A biztonsági kulcs nincs berakva. A kulcsos vezérlőpanel doboz szerelvénye elromlott.	Helyezze be a biztonsági kulcsot, majd nyomja le teljesen a rögzítőfék-pedált, és nyomja meg egyszerre több mint 3 másodpercig a START/STOP gombot a traktor bekapcsolásához. A javításért forduljon az EGO ügyfélszolgálatához.
	A rögzítőfék ikon villog, amikor az LCD-kijelzőn megjelenik az „üzemanyagszint-jelző”.	KI	Nem	Nincs lenyomva a rögzítőfék-pedál.	A biztonsági kulcs behelyezése után nyomja le teljesen a rögzítőfék-pedált, és nyomja meg egyszerre több mint 3 másodpercig a START/STOP gombot a traktor bekapcsolásához.
	A rögzítőfék ikon villog, amikor az LCD-kijelzőn megjelenik a kezelői felület.	KI	Nem	A rögzítőfék-pedál lenyomása előtt nyomja le a gázpedált, hogy a traktor jelzőfénye zölden világítson.	Indítsa el megfelelően a traktort „TRAKTOR BEINDÍTÁSA” szakaszban leírtak szerint.
	A rögzítőfék ikon világít	KI	Nem	A rögzítőfék-pedál a rögzítőfék pozícióra van állítva.	A traktor elindítása előtt engedje fel.

LCD kijelző	Leírás	Traktor állapotjelző	Audio jelző	Ok	Megoldás
	Az ülésérzékelő ikon világít	KI	Nem	A kezelő elhagyja az ülést, vagy az ülés biztonsági reteszelő rendszere kikapcsol.	Ha a kezelő az ülésben ül, és az ikon világít, azonnal függessze fel a traktor használatát, és ellenőrizze az ülés csatlakozását. Ha az ülés és a traktor közötti csatlakozás megfelelő, kérjük, kérjen javítást szakképzett szerviztechnikustól.
	A PTO kapcsoló ikon villog	KI	Nem	A késmotor működését megszakították, és a PTO kapcsoló nincs kikapcsolva.	A traktor újraindítása előtt nyomja le a PTO kapcsolót, hogy kikapcsolja a késmotorokat. Kérjük, olvassa el a kézikönyv „HIBAEHÁRÍTÁS” című részét.
	Egy adott akkumulátortartó rekesz ikonja villog.	KI	Nem	Egy bizonyos akkumulátor kisütés közben túláramot kap.	Művelet nem szükséges. A traktor akkor tud tovább működni, ha az akkumulátorok együttes Ah értéke – a túlárammal érintett akkumulátort kivéve – 15 Ah vagy annál több. Amint a túlárammal érintett akkumulátor visszatér a normál állapotba, azonnal csatlakozik a traktor áramellátásához, és az ikon eltűnik.
	Az üres akkumulátortartó rekesz ikonja villog.	KI	Nem	Az akkumulátor kapacitása nem elegendő a traktor működéséhez.	A traktor elindításához használjon elegendő EGO akkumulátort a kézikönyv „AZ AKKUMULÁTOREGYÉG CSATLAKOZTATÁSA/LEVÁLASZTÁSA” című részében található utasításokat követve.
	A hőmérséklet ikon és a foglalt akkumulátortartó rekesz ikonja egyszerre villog.	KI	Nem	Az adott számmal ellátott akkumulátortartó rekesz akkumulátoregysége túlmelegedett.	<ol style="list-style-type: none"> 1. A traktor akkor tud tovább működni, ha az akkumulátorok együttes Ah értéke megfelel a követelménynek, a túlmelegedett akkumulátort kivéve. Amikor a túlmelegedett akkumulátor visszatér a normál hőmérsékletre, akkor az is azonnal elkezd táplálni a traktort. 2. Ha az akkumulátorok együttes Ah értéke nem felel meg a követelményeknek, akkor a traktor nem fog működni, amíg további akkumulátoregységeket nem helyeznek a szabad akkumulátortartó rekeszekbe. 3. Csökkentse a traktor terhelését úgy, hogy megemeli a burkolat vágásmagasságát, vagy lassít a fűnyírás sebességén, amikor újra elkezd működtetni.

LCD kijelző	Leírás	Traktor állapotjelző	Audio jelző	Ok	Megoldás
	A hőmérséklet ikon villog.	KI	Egy hangjelzés	A traktor túlmelegedett.	Csökkentse a traktor terhelését úgy, hogy megemeli a burkolat vágásmagasságát, vagy lassít a fűnyírás sebességén. Tartson szünetet, és hagyja lehűlni a traktort.
				A traktor túl hideg.	Kérjük, ne próbálkozzon többször, mert ez károsíthatja a gépet. A traktort és az akkumulátorokat mindig meleg környezetben tárolja. Akkor indítsa újra a traktort, ha felmelegedett.
	A riasztás ikon villog	Pirosan villog	Egy hangjelzés	A késmotor túlterhelt.	Emeljen a burkolat vágásmagasságán, vagy lassítson a menetsebességen a traktor terhelésének csökkentéséhez.
				Az oldalsó fűgyűjtő rekesz eltömődött fűvel és törmelékkel.	Minden használat után tisztítsa meg az oldalsó fűgyűjtő rekeszt.
				A kés és a traktorburkolat között zavar van.	Forduljon az EGO ügyfélszolgálatához.
	Az egyes elfoglalt akkumulátortartók ikonjai és a riasztás ikon 1 másodpercenként egyszerre villognak az LCD-kijelzőn.	Pirosan villog	Addig ad hangjelzést, amíg a PTO kapcsolót le nem nyomják.	Az akkumulátoregységek töltöttségi szintje alacsony, a traktor szükségfutas módban van.	Hagyja abba a munkát, és menjen az akkumulátortöltő területre. MEGJEGYZÉS: Amikor a traktor szükségfutas módban van, a kések automatikusan alacsony forgási sebességre állnak, és eközben a hangjelző folyamatosan hangjelzést ad. A kezelőnek lefelé kell nyomnia a PTO kapcsolót a késmotorok kikapcsolásához. A hangjelzés elnémul, miután a kések leállnak.
	Az egyes elfoglalt akkumulátortartók ikonja és a riasztás ikon fél másodpercenként villog.	Pirosan villog	Folyamatosan hangjelzést ad	A késmotor működését megszakították, és a PTO kapcsoló nincs kikapcsolva.	A traktor működése azonnal leáll. A kezelőnek az akkumulátortöltő területre kell vinnie a traktort a feltöltéshez.
	A CCS ikon világít az LCD-kijelzőn	Folyamatos zöld	Nem	A traktor meghatározott sebességgel halad előre anélkül, hogy rá kellene lépnie a gázpedálra.	Ez a normál működés. Szükség esetén kapcsolja ki a CCS funkciót a kézikönyv „ A sebességtartó automatika (CCS) leállítása (kilépés) ” szakaszát követve.
	A CCS ikon villog az LCD-kijelzőn.	KI	Nem	A CCS (sebességtartó automatika) funkció meghibásodott. A rögzítőfék-pedált nyomták le a traktor leállításához.	A CCS funkciót nem lehetett beállítani, amikor a traktor nagyon kis sebességgel vagy hátramenetben halad. A rögzítőfék-pedál felengedése után nyomja meg a CCS gombot, és a CCS ikon világítani kezd az LCD-kijelzőn, vagy lépjen ki a CCS funkcióból „ A sebességtartó automatika (CCS) leállítása (kilépés) ” című részben található utasításokat követve.

LCD kijelző	Leírás	Traktor állapotjelző	Audio jelző	Ok	Megoldás
	Nem világít a zsák ikon az LCD-kijelzőn	n/a	Nem	Azt jelzi, hogy a fűgyűjtő zsák nincs felszerelve a traktorra, vagy nincs megfelelően felszerelve.	Szerelje fel megfelelően a fűgyűjtő zsákot a traktorra.
	Megtelt fűgyűjtő zsák ikon villog az LCD-kijelzőn	n/a	Nem	Azt jelzi, hogy a fűgyűjtő zsák tele van.	Ürítse ki a fűgyűjtő zsákot, és megfelelően cserélje ki.
n/a	n/a	KI	Folyamatosan hangjelzést ad	A traktor a lejtőn parkol, a kezelő pedig kiszáll a traktorból anélkül, hogy rögzítőfék pozícióba állította volna a rögzítőfék-pedált.	Állítsa a rögzítőfék-pedált a rögzítőfék pozícióra. A rögzítőfék ikon kigyullad, a hangjelző hangjelzése pedig leáll.
KI	Töltőnyílás hiba	Folyamatos PIROS	n/a	Nincs áramellátás.	Ellenőrizze a fali aljzatot, hogy van-e 220V-240V tápfeszültség, vagy az aljzat jó-e.
		Folyamatos PIROS	n/a	Elektronikus hibák, például a töltőnyílás áramköre nyitott, a biztosíték kiégett stb.	A javításért forduljon az EGO ügyfélszolgálatához.

HIBAKÓD HIVATKOZÁS

HU

Leírás	Hibakód az LCD-n	Audio jelző	Megoldás
A bal oldali késmotor nem forog megfelelően.	509	Egy hangjelzés	Először a kést ellenőrizze. Ha a csavar meglazul, húzza meg az ajánlott nyomatékkal. Ellenkező esetben forduljon az EGO ügyfélszolgálatához, és kérje a javítást.
A jobb oldali késmotor nem forog megfelelően.	609	Egy hangjelzés	

MEGJEGYZÉS: Az LCD-kijelzőn megjelenő egyéb hibakódok esetében, amelyek PCBA hibát, meglazult csatlakozást, a hajtómotor, késmotorok stb. hibáját jelezhetik, kérjük, vegye ki az összes akkumulátoregységet, és néhány perccel később helyezze őket vissza a traktor újraindításához. Ha ez nem oldja meg a problémát, kérjük, jegyezze le a hibakódot, forduljon az EGO ügyfélszolgálatához, és kérje a javítást.

GARANCIA

EGO GARANCIÁLIS FELTÉTELEK

Kérjük, látogasson el az egopowerplus.eu oldalra, ahol megtalálja a részletes EGO garanciális feltételeket.

CITIȚI TOATE INSTRUCȚIUNILE!



CITIȚI MANUALUL DE INSTRUCȚIUNI

SIMBOLUL DE SECURITATE

Scopul simbolurilor privind siguranța este să vă atragă atenția asupra pericolelor posibile. Simbolurile privind siguranța și explicațiile furnizate cu acestea merită atenția și înțelegerea dumneavoastră. Avertizările simbolurilor nu elimină, prin ele însele, niciun pericol. Instrucțiunile și avertizările pe care le oferă acestea nu pot înlocui măsurile adecvate de prevenire a accidentelor.

▲ AVERTISMENT: Asigurați-vă că ați citit și înțelegiți toate instrucțiunile privind siguranța din acest Manual de utilizare, inclusiv toate simbolurile de alertă privind siguranța precum „PERICOL”, „AVERTISMENT” și „ATENȚIE” înainte de a utiliza această sculă. Nerespectarea tuturor instrucțiunilor enumerate mai jos poate duce la electrocutare, incendiu și/sau vătămări corporale grave.

SEMNIFICAȚIA SIMBOLURILOR

Această pagină descrie simbolurile de siguranță ce pot apărea pe acest produs. Citiți, înțelegiți și respectați toate instrucțiunile de pe mașină înainte de a o asambla și de a o utiliza.

SIMBOLURI PRIVIND SIGURANȚA

	Alertă privind siguranța		Citiți și înțelegiți manualul de instrucțiuni
	Protecție pentru ochi		Mențineți dispozitivele de siguranță
	PERICOL - Pericol de pantă abruptă		PERICOL - Țineți spectatorii departe de lame
	Nu transportați niciodată copii		Uitați-vă în spate în timp ce întoarceți cu spatele
	AVERTISMENT - Nu utilizați această mașină pe pante mai mari de 12°.		PERICOL - Obiecte aruncate
	AVERTISMENT - ȚINEȚI MÂINILE ȘI PICIOARELE LA DISTANȚĂ		Nivel de putere acustică garantat. Conform Directivei comunitare europene.
	Nu pășiți		Deșeurile produselor electrice nu trebuie să fie eliminate împreună cu deșeurile menajere. Predați-le unui punct de reciclare autorizat.
	Acest produs este în conformitate cu directivele europene aplicabile		ATENȚIE - Nu priviți direct în lampă în timp ce funcționează.
	Curent continuu		Acest produs este în conformitate cu legislația aplicabilă din Marea Britanie.

RO

kPa	Kilopascal	RPM	Rotații pe minut
V	Volt	m	metri
in	Inch	cm	Centimetri
Nm	Newton metru	mm	Milimetri
°C	Celsius	kg	Kilograme
km/h	Kilometri pe oră	IPX4	Grad de protecție împotriva factorilor externi

SIMBOLURI DIN ACEST MANUAL



Informațiile trebuie să fie notate



Acțiunea indicată se oprește

SPECIFICAȚII

Tensiune	56 V	
Dimensiuni carcasă	98 cm	
Mărimea roții	Frontal	15 x 6 – 6 in
	Spate	18 x 7.5 – 8 in
Presiunea anvelopelor reci	Frontal	96,5 kPa
	Spate	170 kPa
Viteza lamei (RPM)	Până la 3000	
Viteza maximă de deplasare	Înainte	Până la 9,6 km/h
	Înapoi	până la 4,8 km/h
Reglare înălțime de tăiere (12 poziții)	25 – 100 mm	
Interval de temperatură încărcare	5°C – 40°C	
Temperatură de funcționare	0°C – 40°C	
Temperatură de depozitare	-20°C – 70°C	
Greutate (fără set de acumulatori)	220 kg	
Nivel de putere sonoră măsurat L_{WA}	97,7 dB(A) K=1,75 dB(A)	
Nivel de presiune sonoră la urechea operatorului L_{PA}	83,6 dB(A) K=3 dB(A)	
Nivel de putere sonoră garantat L_{WA} (măsurat în conformitate cu 2000/14/CE)	100 dB(A)	
Vibrații a_h	Mână	0,24 m/s ² K=1,5 m/s ²
	Corp	0,18 m/s ² K=1,5 m/s ²

- Valoarea totală declarată a vibrațiilor a fost măsurată în conformitate cu o metodă standard de testare și poate fi utilizată pentru compararea sculelor între ele;
- Valoarea totală declarată poate fi utilizată în evaluarea preliminară a expunerii.

AVERTISMENT: Vibrațiile emise în timpul utilizării efective a sculei electrice pot diferi față de valoarea celor declarate pentru scula utilizată; Pentru protejarea operatorului, utilizatorul trebuie să poarte mănuși și protecții auditive în timpul utilizării efective a produsului.

ACCESORII RECOMANDATE

AVERTISMENT: Utilizați numai accesoriile enumerate mai jos. Utilizarea accesoriilor care nu respectă specificațiile echipamentului original poate duce la performanțe necorespunzătoare și la compromiterea siguranței.

DENUMIREA PIESELOR	NUMĂR MODEL
Colecție Set de lame	AB3801TD
Fișă de tocare resturi vegetale	AMP3800T

DESCRIEREA

CUNOAȘTEȚI TRACTORUL (Fig. A1)

- Scaun
- Suporturi pentru pahar
- Roata spate (roata motoare) (x2)
- Port de spălare (x2)
- Platformă
- Roată anti-scalpare iarbă (x2)
- Roată frontală (x2)
- Bara de protecție față
- Pedală frână parcare
- Faruri LED (x2)
- Unitate de putere
- Compartimentul de depozitare
- Maneta de blocare a frânei de parcare
- Volan
- Manetă de reglare a înălțimii șezutului

RO

16. Colector de iarbă
17. Port de încărcare
18. Port USB
19. Coș de depozitare
20. Pedala de accelerație
21. Maneta de reglare a înălțimii punții
22. Maneta de basculare
23. Mâner
24. Indicator de stare a tractorului
25. Butonul de reglare a vitezei lamei
26. Buton COSIREA ÎN MARȘARIER
27. Butonul Start/Stop
28. Maneta de control al direcției
29. Cheie de siguranță
30. Comutator PTO
31. Butonul CCS
32. Buton cu lumină LED / Buton Bluetooth
33. Buton de reglare a vitezei de conducere
34. Butonul de eliberare a capacului unității de alimentare
35. Capacul unității de alimentare
36. Unitate de alimentare cu șase compartimente pentru baterii
37. Buton de detașare a acumulatorului

CUNOAȘTEȚI ECRANUL LCD (Fig. A2)

Consultați secțiunea "REFERINȚA STATUTULUI TRACTORULUI" și "REFERINȚA CODULUI DE DEFECTIUNE" pentru mai multe informații despre pictogramele și indicatorii de pe ecranul LCD.

1. Pictograma CCS
2. Indicator de stare a dispozitivului de siguranță
3. Pictograma COSIREA ÎN MARȘARIER OFF (oprit)
4. Pictograma Conducere
5. Pictograma Înapoi
6. Pictograma cheii de siguranță
7. Pictogramă Lumini LED
8. Pictograma Bluetooth
9. Indicator de viteză a lamei
10. Contor de ore
11. Indicator de alimentare
12. Pictograma Temperatură
13. Pictogramă de alertă (suprasarcină/ putere scăzută)
14. Pictograma compartimentului de baterie liber
15. Pictograma compartimentului de baterie ocupat
16. Indicator de cod de defecțiune
17. Indicator de încărcare
18. Indicator de viteză de conducere
19. Pictogramă Colector de iarbă plin
20. Pictogramă Lipsă colector de iarbă

DESPACHETAREA

AVERTISMENT: Păstrați materialele de ambalare până când ați inspectat cu atenție și ați utilizat produsul în mod satisfăcător. Dacă există piese din lista de ambalare asamblate pe aparat, vă rugăm să contactați instantaneu serviciul EGO.

AVERTISMENT: Cu excepția instrumentelor din lista de ambalare de mai jos, toate celelalte instrumente menționate în manuale sunt doar recomandate, dar nu sunt furnizate.

LISTA COMPONENTELOR (Fig. B)

B-1	Tractor electric pentru tuns iarbă	B-2	Scaun
B-3	Volan	B-4	Apărătoare de praf
B-5	Chei combinate	B-6	Chei tubulară de 18 mm
B-7	Șuruburi de pas (1 pentru rezervă)	B-8	Piulițe M8 (1 pentru rezervă)
B-9	Piulițe M12 (1 pentru rezervă)	B-10	Șaibe (1 pentru rezervă)
B-11	Chei de siguranță	B-12	Port de spălare cu cuplaj rapid
B-13	Manual de utilizare	B-14	Colector de iarbă (cu două seturi de șuruburi și piulițe pentru suporturile laterale)
B-15	Suport în formă de U	B-16	Suport lateral
B-17	Maneta de basculare	B-18	Suport de susținere pentru colector de iarbă stânga și dreapta
B-19	Bară transversală	B-20	M8X40 Bolt
B-21	Șurub M8X25	B-22	Piuliță M8

RO

ASAMBLARE

INSTALAREA VOLANULUI DE DIRECȚIE (Fig. C1)

C1-1	Bara de direcție	C1-2	Volan
C1-3	Linia centrală	C1-4	Șaibă
C1-5	Piuliță	C1-6	Chei tubulară de 18 mm
C1-7	Apărătoare de praf		

INSTALAREA SCAUNULUI (Fig. C2)

⚠ AVERTISMENT: Sistemul de interblocare de siguranței nu trebuie deconectat sau ocolit. Dacă faceți acest lucru, tractorul de tuns iarbă poate funcționa în mod neașteptat, provocând vătămări corporale.

C2-1	Scaun	C2-2	Piuliță (M8)
C2-3	Șurub de prindere	C2-4	Racord
C2-5	Fișă		

INSTALAREA COLECTOR DE IARBĂ (Fig. C3 – C8)

C3-1	Suport în formă de U	C3-2	Colector de iarbă
C3-2	4 seturi de șuruburi și piulițe (M8 X 40)	C3-4	Cheie combinată
C4-1	Suporturi laterale	C4-2	4 seturi de șuruburi și piulițe (M8 X 40)
C4-3	Cheie combinată	C5-1	Maneta de basculare
C5-2	1 set de șuruburi și piulițe (M8 X 40)	C5-3	Cheie combinată
C6-1	Suporturile pentru colectorul de iarbă	C6-2	4 seturi de șuruburi și piulițe (M8 X 25)
C6-3	Chei combinate	C7-1	Bară transversală
C7-2	2 piulițe (M8)	C7-3	Cheie combinată

REGLAREA

ÎNAINTE DE REGLARE (Fig. D1)

REGLAREA ÎNĂLȚIMII DE TĂIERE (Fig. D2)

REGLAREA ROȚILOR ANTI-SCALPARE (Fig. D3 – D6)

D3-1	Roți anti-scalpare iarbă	D5-1	Piuliță
D5-2	Șurub cu ureche	D6-1	Etichetă înălțime punte

REGLAREA SCAUNULUI (Fig. D7)

D7-1	Manetă de reglare a înălțimii șezutului
------	---

RO

FUNȚIONARE

ÎNAINTE DE UTILIZARE (Fig. E1)

REGLAREA FRÂNELOR DE PARCARE (Fig. E2)

E2-1	Poziția frânei de parcare	E2-2	Poziția eliberată
------	---------------------------	------	-------------------

⚠️ AVERTISMENT: PEDALA FRÂNEI DE PARCARE NU POATE ÎNCETINI VITEZA DE DEPLASARE. NU ÎNCERCAȚI NICIODATĂ SĂ APĂSAȚI PEDALA FRÂNEI DE PARCARE PENTRU A REDUCE VITEZA DE DEPLASARE ÎN TIMPUL CONDUCERII. ATUNCI CÂND PEDALA FRÂNEI DE PARCARE ESTE APĂSATĂ, DAR NU ESTE ANGAJATĂ ÎN POZIȚIA DE FRÂNĂ DE PARCARE, FRÂNA ELECTRICĂ NU MAI ESTE EFICIENTĂ ȘI TRACTORUL SE VA OPRI DIN MERS PE O SUPRAFAȚĂ PLANĂ. DAR DACĂ ACEST LUCRU SE ÎNTÂMPLĂ PE O PANTĂ, TRACTORUL POATE ALUNECA ÎN JOSUL PANTEI ODATĂ CE PEDALA FRÂNEI DE PARCARE ESTE ELIBERATĂ.

⚠️ AVERTISMENT: TRAGEȚI MANETA DE BLOCARE A FRÂNEI DE PARCARE ȘI APĂSAȚI IMEDIAT PEDALA FRÂNEI DE PARCARE PENTRU A O CUPLA ÎN POZIȚIA FRÂNEI DE PARCARE ÎN CAZ DE URGENȚĂ, TRACTORUL SE VA OPRI IMEDIAT ȘI NU VA ALUNECA PE PANTĂ.

ATAȘAREA/DETAȘAREA SETULUI DE ACUMULATORI (Fig. E3 – E6)

Pentru a porni acest tractor, sunt necesare baterii EGO cu valoare totală de 15 Ah (2 X BA4200/BA4200T) sau mai mult. Pentru cele mai bune performanțe, vă recomandăm utilizarea bateriilor EGO care totalizează 30 Ah sau mai mult.

E3-1	Butonul de eliberare a capacului	E5-1	Buton de eliberare a acumulatorului
------	----------------------------------	------	-------------------------------------

ÎNCĂRCAREA TRACTORULUI

A se utiliza numai cu bateriile și încărcătoarele recomandate.

- **Încărcați separat pachetul (pachetele) de baterii (Fig. E7)**

AVERTISMENT: Consultați manualele corespunzătoare ale bateriei și încărcătorului pentru instrucțiuni detaliate.

- **Încărcați pachetul (pachetele) de baterii prin intermediul portului de încărcare (Fig. E8 – E10)**

E10-1	Apărătoare de praf	E10-2	Port de încărcare
-------	--------------------	-------	-------------------

VERIFICAȚI SISTEMUL DE INTERBLOCARE BLOCARE DE SIGURANȚĂ

- Pentru a testa sistemul de lame-punte (Fig. E11 – E12)**
- Pentru a testa sistemul de conducere (Fig. E13 – E14)**

Dacă sistemul de lamă de punte și/sau sistemul de conducere nu se oprește atunci când operatorul nu este pe scaun și dacă cauza nu poate fi determinată după ce ați confirmat că, conexiunea scaunului și priza scaunului sunt bine conectate, contactați centrul de service clienți EGO imediat.

TEHNOLOGIA COMUNICĂRII

Pentru informații despre întreaga noastră gamă de produse și servicii conectate, inclusiv instrucțiuni de conectare, vă rugăm să scanați codul QR de mai jos sau să vizitați www.egopowerplus.eu/connect.



LISTA DE VERIFICĂRI ÎNAINTE DE OPERARE

- Asigurați-vă că zona de lucru este liberă de copii, spectatori și animale de companie.
- Eliberați zona de lucru de obiecte care pot fi aruncate de lamele de tuns iarba ale tractorului.
- Curățați resturile de pe tractor.
- Verificați dacă există elemente de fixare slăbite.
- Verificați dacă toate dispozitivele de protecție sunt la locul lor și funcționează corect.
- Verificați vizual dacă anvelopele sunt umflate.

- Verificați funcționarea frânei.
- Reglați înălțimea punții la poziția de tăiere dorită, cea mai potrivită pentru gazon și reglați roțile anti-scalpare în consecință.
- Reglați poziția scaunului și asigurați-vă că puteți ajunge la ambele pedale.
- Verificați nivelul de încărcare a bateriei.
- Verificați sistemul de interblocare de siguranță.
- Asigurați-vă că, colectorul de iarbă este instalat corect.

PORNIREA TRACTORULUI (Fig. E15 – Fig. E16)

⚠️ AVERTISMENT: Evitați pornirile, opririle și întoarcerile bruște, precum și viteza excesivă, mai ales atunci când învățați să folosiți tractorul. Tractorul se poate roti rapid, ceea ce poate determina pierderea controlului și poate duce la vătămări grave și/sau daune.

⚠️ AVERTISMENT: Înainte de a porni tractorul, verificați și asigurați-vă că lamele sunt decuplate în decurs de 5s atunci când apăsați în jos comutatorul PTO. Dacă lamele nu se opresc, nu utilizați tractorul și contactați imediat serviciul clienți EGO.

NOTĂ:

- Dacă pedala frânei de parcare este setată în poziția frânei de parcare, trebuie doar să apăsați butonul start/stop timp de 3 secunde pentru a ilumina ecranul LCD și apoi să eliberați pedala frânei de parcare înainte de a conduce tractorul.
- Lamele de tăiere pot fi pornite în orice moment după ce ecranul LCD este complet iluminat și maneta de control al direcției nu este trasă înapoi în direcția "R". Pentru a porni lamele în timp ce conduceți tractorul în marșarier, consultați secțiunea "**PORNIREA LAMELELOR ÎN TIMPUL DEPLASĂRII ÎN MARȘARIER**" din acest manual.

AVERTISMENT: Urmați Fig. E17 pentru a obține cea mai mică viteză de deplasare până când sunteți pe deplin capabil să operați tractorul în toate situațiile.

Tractorul electric pentru tuns iarbă nu memorează setările vitezei de deplasare și ale vitezei lamei. Viteza de deplasare și viteza lamei vor reveni la nivelul 2 de fiecare dată când tractorul este oprit.

Reglarea vitezei de conducere (Fig. E17)

Reglarea vitezei lamei (Fig. E18)

NOTĂ: Când vă aflați la "Nivelul 3", apăsați din nou butonul de reglare a vitezei lamei și viteza lamei va relua viteza anterioară.

Lumini LED (Fig. E19)

- Farurile LED puteau fi aprinse și oprite cu ajutorul comutatorului de lumină LED.

Port USB

AVERTISMENT: Portul USB asigură o putere de încărcare de 5 Volt DC la un consum combinat de 1,5 Amperi și este alimentat numai când tractorul este pornit.

OPRIREA TRACTORULUI (Fig. E20)

⚠️ AVERTISMENT: Setati întotdeauna pedala frânei de parcare în poziția frânei de parcare atunci când tractorul nu mai rulează în pantă, în caz contrar, tractorul poate aluneca pe pantă, ceea ce poate provoca daune grave sau vătămări corporale!

NOTĂ: În situația în care pedala frânei de parcare este setată în poziția frânei de parcare și operatorul nu este pe scaun, dar acumulatorii nu sunt scoși:

- În cazul în care ecranul LCD este oprit, indicatoarele bateriei, butonul de pornire/oprire și butonul CCS vor rămâne iluminate timp de 1 oră.
- În cazul în care ecranul LCD afișează "indicatorul de alimentare" sau interfața operatorului, tractorul se va opri automat după 1 oră.

Modul Limp-Home

Atunci când încărcarea bateriei devine foarte scăzută, tractorul va intra în modul Limp-Home pentru a păstra suficientă energie pentru a se întoarce la zona de încărcare.

- Lamele trec la o viteză de rotație redusă, ceea ce ar putea tăia doar o cantitate foarte mică de iarbă. La întâlnirea cu iarba înaltă și densă, lamelele se vor opri din rotație. Indicatorul audio va emite un sunet (bip) intermitent.
- Indicatorul de stare a tractorului va clipi roșu în fiecare secundă, atât pictograma de alertă (putere redusă), cât și pictograma fiecărui compartiment pentru baterii ocupat vor clipi.

Operatorul ar trebui:

- Să apese comutatorul PTO în jos pentru a decupla motoarele lamelor. Indicatorul de semnal sonor nu va mai suna atunci când motoarele lamei se opresc.
- Opriți lucrul și mergeți la zona de încărcare cât mai curând posibil. Distanța maximă pe care o poate parcurge tractorul este de 1000m.

Atunci când bateria este aproape epuizată, atât pictograma de alertă (low-power - consum redus de energie), cât și pictograma fiecărui compartiment de baterie ocupat vor clipi la fiecare jumătate de secundă. Tractorul va înceta să funcționeze imediat. Operatorul va trebui să transporte tractorul până la zona de încărcare pentru al încărca.

AVERTISMENT: Dacă este necesară împingerea manuală, asigurați-vă că bateriile sunt deconectate de la tractor și că pedala de frână de parcare este eliberată din poziția de frână de parcare.

CONDUCEREA TRACTORULUI (Fig. E21)

⚠️ PERICOL: Stai cel puțin două lățimi de cosit departe de orice șanțuri, pante, sau apă. Roțile din față se pot roti atunci când tractorul este oprit, chiar și cu frâna acționată, și poate provoca, ca tractorul să pomească peste margine sau în apă și poate duce la moarte sau vătămări corporale grave.

⚠️ AVERTISMENT: Nu folosiți tractorul pe drumurile publice.

⚠️ AVERTISMENT: Dacă se întâmplă blocarea sau se lovești un obiect străin, opriți motoarele și scoateți bateriile. Îndepărtați tăieturile de iarbă, frunzele, murdăria și orice alte resturi acumulate; inspectați cu atenție tractorul și reparați daunele înainte de a reporni și de a folosi tractorul.

NOTĂ:

- În timpul conducerii, când părăsiți scaunul, indicatorul de stare al tractorului se va stinge. Când reîncepeți să conduceți din nou, așezați-vă pe scaun și apăsați complet pedala frânei de parcare pentru ca indicatorul de stare a tractorului să lumineze în verde.
- Când comutați între înainte și înapoi în timpul conducerii, deplasați maneta de comandă a direcției direct de la un capăt la celălalt, fără a opri în poziție neutră, altfel tractorul se poate opri din mișcare.

UTILIZAREA CONTROLULUI DE CROAZIERĂ (CCS)

Pentru a activa ("intra") în controlul vitezei de croazieră (CCS) (Fig. E22)

NOTĂ: Este posibil ca nivelul vitezei de deplasare afișat pe ecranul LCD să nu reprezinte cu exactitate viteza reală de deplasare a tractorului în regimul de croazieră. Apăsați butonul de reglare a vitezei pentru a "reîmprospăta" nivelul vitezei de conducere pe ecranul LCD.

Pentru a opri (ieși) din Cruise Control (CCS), puteți alege una dintre cele trei modalități:

- Apăsați pedala de accelerație până la capăt și continuați să apăsați. Funcția CCS se va opri și tractorul va continua să ruleze.
- Apăsați ușor pedala de accelerație și apoi eliberați-o. Tractorul și funcția CCS se vor opri.
- Apăsați butonul CCS. Tractorul și funcția CCS se vor opri.

NOTĂ: Când CCS este oprit, pictograma "🚗" va dispărea de pe ecranul LCD și va suna emite semna sonor (bip) de două ori.

NOTĂ: Dacă pedala frânei de parcare este apăsată, tractorul se va opri, dar pictograma "🚗" va clipi pe ecranul LCD pentru a indica faptul că sistemul CCS este în standby. În acest caz, eliberați pedala frânei de parcare, apăsați butonul CCS. Tractorul va relua conducerea automat, iar pictograma "🚗" nu va mai clipi.

PORNIREA LAMELELOR ÎN TIMPUL DEPLASĂRII ÎN MARȘARIER

AVERTISMENT: Nu se recomandă cosirea în sens invers.

AVERTISMENT: Aveți grijă extremă atunci când cosiți în marșarier. Asigurați-vă întotdeauna că nu intră persoane în zona de lucru, în special copiii mici înainte și în timp ce se cosește în marșarier.

AVERTISMENT: Vizibilitatea operatorilor ar putea fi afectată la operarea tractorului atașat cu kitul colector de iarbă. Prudența extremă și familiaritatea cu împrejurimile trebuie luate întotdeauna în considerare înainte și în timpul cositului în marșarier.

Pentru a activa („intra în“) COSIREA ÎN MARȘARIER (E23)

Pentru a opri (ieși din) cosirea în marșarier, puteți alege una dintre cele patru modalități:

- Apăsați o dată butonul COSITUL ÎN MARȘARIER.
- Ridicați-vă de pe scaunul tractorului.

- Apăsați butonul start/stop timp de 3 secunde pentru a opri ecranul LCD.
- Scoateți cheia de siguranță sau scoateți acumulatorul (acumulatorii) pentru a opri tractorul.

NOTĂ: Când COSITUL ÎN MARȘARIER este oprit, pictograma "🚗" se va aprinde pe ecranul LCD.

GOLIREA COLECTORULUI DE IARBĂ (Fig. E24)

NOTĂ: Când pictograma "🌿" clipește pe ecranul LCD, colectorul de iarbă este plin. După ce colectorul de iarbă este golit, pictograma "🌿" va dispărea de pe ecranul LCD.

NOTĂ: Colectorul de iarbă trebuie înlocuit corespunzător pe tractor, în caz contrar, tractorul poate fi condus, dar motoarele cu lamă nu pot fi pornite.

ÎNTREȚINEREA

AVERTISMENT: Purtați întotdeauna ochelari de protecție cu apărători laterale. Nerespectarea acestei instrucțiuni ar putea avea ca rezultat proiectarea în ochi a obiectelor și alte posibile vătămări grave.

AVERTISMENT: Protejați-vă întotdeauna mâinile purtând mănuși rezistente sau înfășurând marginile tăioase cu cârpe sau alte materiale când efectuați orice operație de întreținere asupra lamei de tăiere a tractorului. Scoateți întotdeauna cheia de siguranță și setul de acumulatori când efectuați operații de întreținere sau transportați tractorul.

SCHEMA(SCHEMELE) DE ÎNTREȚINERE RECOMANDATĂ

Intervalele de întreținere service	Procedura de întreținere
Înainte de fiecare utilizare sau zilnic	<ul style="list-style-type: none"> ■ Verificați sistemul de siguranță. ■ Verificați vizual dacă anvelopele sunt umflate. ■ Inspectați lamele. ■ Inspectați întregul produs pentru a găsi piese deteriorate, lipsă sau slăbite, cum ar fi jgheabul de descărcare laterală, șuruburi, piulițe, șuruburi, capace etc., asigurându-vă că toate dispozitivele de protecție sunt la locul lor și funcționează corect. ■ Verificați și asigurați-vă că pedala de accelerație poate fi apăsată și eliberată corect. ■ Verificați amortizorul volanului de direcție. Volanul trebuie să fie rotit cu o anumită rezistență.
După fiecare utilizare	<ul style="list-style-type: none"> ■ Curățați tractorul și spălați puntea.
La fiecare 25 de ore	<ul style="list-style-type: none"> ■ Verificați presiunea anvelopelor.

RO

La fiecare 100 de ore	<ul style="list-style-type: none"> Verificați roțile din spate, asigurându-vă că toate piulițele sunt fixate la cuplul recomandat (101-103 Nm). Verificați roțile din față, asigurându-vă că piulița este fixată la cuplul recomandat (90-92 Nm).
La fiecare 200h	<ul style="list-style-type: none"> Verificați roțile din față, asigurându-vă că acestea se rotesc liber.
La fiecare jumătate de an	<ul style="list-style-type: none"> Verificați pedala frână de parcare. Scoateți bateria din tractor, apoi trageți în sus maneta de blocare a frânei de parcare și apăsați pedala de frână de parcare pentru a seta frâna de parcare. Împingeți manual tractorul înainte pentru a vedea dacă acesta poate fi deplasat fără ca roțile din spate să se rotească. Dacă tractorul se mișcă și roțile din spate se rotesc între timp, vă rugăm să contactați centrul de servicii pentru clienți EGO pentru reparații.
Înainte de depozitare	<ul style="list-style-type: none"> Scoateți bateriile din tractor. Scoateți cheia de siguranță din tractor. Efectuați toate procedurile de întreținere enumerate mai sus și curățați bine tractorul. Inspectați întregul produs pentru a vedea dacă există piese deteriorate, lipsă sau slăbite, înlocuiți-le sau strângeți-le pe cele corespunzătoare înainte de depozitare.
Anual	<ul style="list-style-type: none"> Lubrifiați manșoanele arborilor roților din față.

ÎNȚREȚINERE GENERALĂ

Golirea ierbii (Fig. F1 – F3)

Curățarea carcasei tractorului (Fig. F4)

Utilizarea racordului de spălare pentru a curăța puntea tractorului (Fig. F5 – F6)

F5-1	Port de spălare	F5-2	Cuplaj rapid cu port de spălare
F5-3	Furtun de grădină		

AVERTISMENT: Când terminați curățarea, opriți complet tractorul și apoi scoateți furtunul de grădină și cuplul rapid.

ÎNȚREȚINEREA PUNȚII TRACTORULUI ȘI A LAMELELOR DE TĂIERE

Pregătirea (Fig. G1)

Îndepărtarea punții tractorului (Fig. G2 – Fig. G3)

G2-1	Cablul motor	G2-2	Cui spintecat
G2-3	Legături suspensii		

Înlocuirea lamelor de tăiere (Fig. G4 – Fig. G6)

G4-1	Stabilizator	G5-1	Bolț
G5-2	Șaibă	G5-3	Lamă
G5-4	Flanșă	G5-5	Ax motor

Nivelarea punții

a. Când să se niveleze (Fig. G7 / Fig. G8 / Fig. G9)

b. Înainte de nivelare

- Verificați presiunea în pneuri la rece (Fig. G10)
- Verificați lamele de tăiere. Scoateți și înlocuiți lamele uzate, crăpate și/sau îndoite, după cum este necesar.

c. Pregătirea pentru nivelare (Fig. G11)

d. Cum se nivelează

- Pentru a face reglarea laterală (Fig. G12)
- Pentru a efectua reglarea față-spate (Fig. G13)

DEPOZITARE ȘI TRANSPORT

RO

TRANSPORTUL TRACTORULUI (Fig. H1 – H5)

H2-1	Rampe	H2-2	Curele
------	-------	------	--------

AVERTISMENT: Asigurați tractorul după cum este necesar, folosind curele sau cabluri pentru a preveni mișcarea în timpul transportului.

DEPOZITARE (Fig. I1 – I2)

AVERTISMENT: Scoateți și depozitați acumulatorul (acumulatorii) separat(e), consultați manualele corespunzătoare.

Curățați și verificați tractorul înainte de depozitare, consultați secțiunile "ÎNȚREȚINERE GENERALĂ" și "PROGRAMUL (PROGRAMELE) DE ÎNȚREȚINERE RECOMANDAT(E)".


Protejarea mediului înconjurător



DEEE (Deșeuri de echipamente electrice și electronice) - Nu eliminați echipamentul electric, acumulatorul epuizat și încărcătorul de acumulator împreună cu deșeurile menajere! Predați acest produs unui punct de reciclare autorizat și puneți-l la dispoziția colectării separate. Sculele electrice trebuie returnate unui centru de reciclare ecologic.

DEPANAREA

PROBLEMĂ	CAUZĂ	SOLUȚIE
Tractorul electric pentru tuns iarbă nu reușește să conducă atunci când pedala de accelerație este apăsată.	<ul style="list-style-type: none"> Ah combinat al bateriilor introduse nu îndeplinește cerințele. 	<ul style="list-style-type: none"> Pentru a porni acest tractor, utilizați suficiente baterii EGO urmând instrucțiunile din secțiunea "FIXAREA/ DETAȘAREA ACUMULATORULUI" din acest manual.
	<ul style="list-style-type: none"> Pedala de frână de parcare este setată în poziția de frânare. 	<ul style="list-style-type: none"> Apăsați complet pedala de frână de parcare pentru a o elibera din poziția de frână de parcare.
	<ul style="list-style-type: none"> Indicatorul de stare a tractorului nu strălucește verde. 	<ul style="list-style-type: none"> Apăsați pedala frânei de parcare și apoi eliberați-o. Indicatorul de stare al tractorului va străluci în verde, ceea ce înseamnă că tractorul este gata de pornire.
	<ul style="list-style-type: none"> Operatorul nu stă pe scaun. 	<ul style="list-style-type: none"> Tractorul poate fi operat numai atunci când operatorul stă corect pe scaun.
	<ul style="list-style-type: none"> Sistemul de interblocare de siguranță a scaunului nu este conectat corect. 	<ul style="list-style-type: none"> Scoateți bateriile din tractor și ridicați spătarul scaunului pentru a vă asigura că fișa cablului este conectată corect la priza din partea inferioară a scaunului (consultați capitolul "INSTALAREA SCAUNULUI"). Urmăriți instrucțiunile din secțiunea "PORNIREA TRACTORULUI" pentru a reporni tractorul pentru a vedea dacă acesta poate fi pornit. În caz contrar, vă rugăm să contactați centrul de servicii pentru clienți EGO pentru reparații.
	<ul style="list-style-type: none"> Pe vreme extremă rece, este posibil ca funcția de conducere să nu pornească cu succes din cauza protecției la temperatură scăzută. 	<ul style="list-style-type: none"> Depozitați întotdeauna tractorul și bateria într-un mediu cald. Reporniți tractorul când este încălzit. Vă rugăm să nu faceți încercări repetate pe timp extrem de rece, care ar putea deteriora mașina.
	<ul style="list-style-type: none"> Calea de deplasare a pedalei de accelerație este înfundată cu resturi. 	<ul style="list-style-type: none"> Verificați și îndepărtați resturile
	<ul style="list-style-type: none"> Defectarea componentelor mecanice sau electronice ale pedalei de accelerație. Maneta de comandă a direcției este plasată în poziție neutră. 	<ul style="list-style-type: none"> Sunați la centrul de asistență pentru clienți EGO pentru reparații. Împingeți/ trageți maneta de comandă a direcției în direcția "D" sau "R".

PROBLEMĂ	CAUZĂ	SOLUȚIE
Tractorul electric pentru tuns iarbă fără virare se oprește.	<ul style="list-style-type: none"> La comutarea între înainte și înapoi în timpul conducerii, maneta de control al direcției rămâne în poziția neutră pentru o lungă perioadă de timp. 	<ul style="list-style-type: none"> Eliberați pedala de accelerație și apoi apăsați-o din nou.
	<ul style="list-style-type: none"> Defectarea componentelor electronice ale pedalei de accelerație. 	<ul style="list-style-type: none"> Sunați la centrul de asistență pentru clienți EGO pentru reparații.
	<ul style="list-style-type: none"> Sistemul de inter-blocare de siguranță a scaunelor s-a deconectat în timpul conducerii pe un teren accidentat. 	<ul style="list-style-type: none"> Scoateți bateriile din tractor și ridicați spătarul scaunului pentru a vă asigura că fișa cablului este conectată corect la priza din partea inferioară a scaunului (consultați capitolul "INSTALAREA SCAUNULUI"). Urmăriți instrucțiunile din secțiunea "PORNIREA TRACTORULUI" pentru a reporni tractorul pentru a vedea dacă acesta poate fi pornit. În caz contrar, contactați centrul de asistență pentru clienți EGO pentru reparații.
	<ul style="list-style-type: none"> Greutatea operatorului nu este distribuită uniform pe scaun. Greutatea operatorului pe scaun trebuie să fie de cel puțin 20 kg pentru ca sistemul de interblocare de siguranță a scaunului să funcționeze corect. 	<ol style="list-style-type: none"> Stați corect pe scaun, apăsați complet pedala frânei de parcare și eliberați-o, apoi tractorul este gata de conducere. Deconectați și atașați din nou pachetul de baterii, dacă este necesar.
	<ul style="list-style-type: none"> Odată ce pedala frânei de parcare este apăsată suficient, dar nu până la poziția de parcare, tractorul se va opri. 	<ul style="list-style-type: none"> Urmăriți instrucțiunile din secțiunea "PORNIREA TRACTORULUI" pentru a reporni tractorul.
Tractorul electric pentru tuns iarbă nu reușește să pornească lamele atunci când comutatorul PTO este activat.  Pictograma comutator PTO clipește.	<ul style="list-style-type: none"> Ah combinat al bateriilor introduse nu îndeplinește cerințele. 	<ul style="list-style-type: none"> Pentru a porni acest tractor, utilizați suficiente baterii EGO urmând instrucțiunile din secțiunea "FIXAREA/ DETAȘAREA ACUMULATORULUI" din acest manual.
	<ul style="list-style-type: none"> Întreprătorul PTO nu a fost apăsat în jos atunci când tractorul a fost oprit ultima dată. 	<ul style="list-style-type: none"> Împingeți comutatorul PTO în jos și apoi în sus pentru a reporni motoarele lamei.
	<ul style="list-style-type: none"> Tractorul este suprasolicitat în momentul în care lamele încep să se rotească, declanșând auto-protecția a lamei. 	<ul style="list-style-type: none"> Porniți mai întâi tractorul tăind cu viteza mai mică a lamei și nu accelerați viteza lamei până când lamele se rotesc cu succes.
	<ul style="list-style-type: none"> Pe vreme extremă rece, este posibil ca motorul lamei să nu pornească cu succes din cauza protecției la temperatură scăzută. 	<ul style="list-style-type: none"> Depozitați întotdeauna tractorul și bateria într-un mediu cald. Reporniți tractorul când este încălzit. Vă rugăm să nu faceți încercări repetate pe timp extrem de rece, care ar putea deteriora mașina.
	<ul style="list-style-type: none"> Lama interferează cu puntea de tuns deformată. 	<ul style="list-style-type: none"> Sunați la centrul de asistență pentru clienți EGO pentru reparații.
	<ul style="list-style-type: none"> Colectorul de iarbă nu este instalat corect. 	<ul style="list-style-type: none"> Instalați corect colectorul de iarbă urmând secțiunea "INSTALAREA COLECTORULUI DE IARBĂ" din manual.

PROBLEMĂ	CAUZĂ	SOLUȚIE
Lamele nu mai funcționează în timpul tăierii ierbii.	<ul style="list-style-type: none"> Tractorul este supraîncărcat. 	<ul style="list-style-type: none"> Ridicați înălțimea de tăiere a punții sau încetiniți viteza de deplasare pentru a reduce sarcina pe tractor.
	<ul style="list-style-type: none"> Puntea este înfundată cu iarbă și resturi. 	<ul style="list-style-type: none"> Curățați puntea și asigurați-vă că lamele au libertate de mișcare.
	<ul style="list-style-type: none"> Tractorul este supraîncălzit. 	<ul style="list-style-type: none"> Reduceți sarcina tractorului, ridicând înălțimea de tăiere a punții sau reducând viteza lamei/ de deplasare și lăsați tractorul să se răcească.
	<ul style="list-style-type: none"> Acumulatorul (bateriile) din compartimentul pentru baterii al tractorului este supraîncălzit, rezultând o evaluare combinată Ah a tuturor bateriilor introduse ca ne-îndeplinind cerința. 	<ol style="list-style-type: none"> Tractorul poate continua să funcționeze dacă valoarea nominală a bateriei combinată Ah, excluzând bateria supra-încălzită, îndeplinește cerințele. Odată ce bateria supra-încălzită revine la temperatura normală, aceasta se va alătura imediat la puterea tractorului. Dacă valoarea Ah a bateriilor combinată nu îndeplinește cerințele, tractorul nu va funcționa până când nu vor fi introduse mai mulți acumulatori în componentele bateriei libere. Reduceți sarcina tractorului prin ridicarea înălțimii de tăiere a punții de tăiere sau prin reducerea vitezei de deplasare la reluarea lucrului.
	<ul style="list-style-type: none"> Tractorul este în modul Limp-Home. 	<ul style="list-style-type: none"> Când tractorul este în modul Limp-Home, lamele sunt comutate automat în viteză de rotație redusă. Operatorul ar trebui oprească munca și să conducă în zona de încărcare a bateriei cât mai curând posibil.
	<ul style="list-style-type: none"> Tractorul a fost lovit de un obiect străin, rezultând în auto-protecția motorului. 	<ul style="list-style-type: none"> Împingeți comutatorul PTO în jos și apoi în sus pentru a reporni motoarele lamei.
	<ul style="list-style-type: none"> Tractorul se deplasează în marșarier cu pictograma COSITUL ÎN MARȘARIER OFF (oprit) iluminată pe ecranul LCD. 	<ul style="list-style-type: none"> Apăsați comutatorul prizei de putere și reporniți motoarele cu lamă urmând instrucțiunile din secțiunea "Pentru a activa (introduce) cosirea în marșarier".
Indicatorul de semnal sonor continuă să sune.	<ul style="list-style-type: none"> Cositoarea este în modul Limp-Home și lamele nu sunt oprite. 	<ul style="list-style-type: none"> Împingeți comutatorul PTO în jos pentru a opri motoarele lamei. Indicatorul de semnal sonor nu va mai suna atunci când motorul lamei se oprește.
	<ul style="list-style-type: none"> Tractorul se oprește din mers pe o pantă, iar operatorul este coborât de pe scaun fără a pune pedala de frână de parcare în poziția de frână de parcare. 	<ul style="list-style-type: none"> Puneți pedala de frână de parcare în poziția de frână de parcare înainte de a lăsa tractorul pe pantă.
Indicatoarele de putere de pe pachetele de baterii sunt încă aprinse atunci când tractorul este oprit.	<ul style="list-style-type: none"> Atunci când tractorul este oprit pe un teren plan fără a scoate acumulatorii din tractor, indicatoarele de putere vor rămâne aprinse pentru o perioadă de timp. 	<ul style="list-style-type: none"> Nu este necesară nicio acțiune. Indicatoarele bateriei se vor stinge când tractorul se oprește după o perioadă. Consultați secțiunea "OPRIREA TRACTORULUI" pentru o anumită perioadă de timp
	<ul style="list-style-type: none"> Atunci când tractorul este oprit pe o pantă fără a seta frâna de parcare, indicatoarele de putere de pe acumulatori vor rămâne aprinse până când încărcarea bateriei este epuizată. Indicatorul de semnal sonor continuă să sune în același timp. 	<ul style="list-style-type: none"> Setați pedala frânei de staționare în poziția frânei de parcare înainte de a părăsi tractorul în pantă. În caz contrar, tractorul poate aluneca pe pantă.

PROBLEMĂ	CAUZĂ	SOLUȚIE
Ecranul LCD nu poate fi iluminat cu toate pictogramele activate.	<ul style="list-style-type: none"> Butonul Start/Stop nu este apăsat suficient timp. 	<ol style="list-style-type: none"> Ecranul LCD va afișa „indicatorul de alimentare” numai atunci când butonul de pornire/oprire este apăsat scurt. Ecranul LCD se va aprinde după apăsarea completă a pedalei de frână de parcare și apăsarea simultană a butonului de pornire/stop pentru o perioadă suficientă de timp.
	<ul style="list-style-type: none"> Când pictograma cheii de siguranță "☞" clipește pe ecranul LCD, cheia de siguranță nu este introdusă. 	<ul style="list-style-type: none"> Introduceți cheia de siguranță, apoi apăsați complet pedala frânei de parcare și apăsați butonul start/stop suficient timp simultan pentru a porni ecranul LCD.
	<ul style="list-style-type: none"> Când pictograma frânei de parcare "(P)" clipește pe ecranul LCD, pedala frânei de parcare nu este complet apăsată. 	<ul style="list-style-type: none"> Introduceți cheia de siguranță, apoi apăsați complet pedala frânei de parcare și apăsați butonul start/stop suficient timp simultan pentru a porni ecranul LCD.
Tractorul taie neuniform, cu o diferență de înălțime semnificativă între față și spate.	<ul style="list-style-type: none"> Lamele sunt tocite. 	<ul style="list-style-type: none"> Ascuțiți sau înlocuiți lamele de tăiere conform instrucțiunilor din acest manual.
	<ul style="list-style-type: none"> Lamele sunt îndoite. 	<ul style="list-style-type: none"> Înlocuiți lamele de tăiere îndoite urmând instrucțiunile din secțiunea „ÎNLOCUIREA LAMELOR DE TĂIERE”.
	<ul style="list-style-type: none"> Puntea nu este nivelată, ceea ce duce la o înălțime diferită a lamei de tăiere 	<ul style="list-style-type: none"> Nivelați puntea de tuns iarba urmând instrucțiunile din secțiunea „Nivelarea punții”.
Înălțimea efectivă de tăiere a ierbii nu este aliniată cu înălțimea revendicată.	<ul style="list-style-type: none"> Piulițele punții sunt slăbite de pe articulația suspensiei. 	<ul style="list-style-type: none"> Urmați instrucțiunile din secțiunea „Nivelarea punții” pentru a face o reglare corectă față-spate pentru puntea tractorului și strângeți sigur piulițele de legătura pentru suspensie.
	<ul style="list-style-type: none"> Puntea tractorului este deteriorată sau uzată grav. 	<ul style="list-style-type: none"> Urmați instrucțiunile din secțiunea „Îndepărtarea punții tractorului” pentru a înlocui puntea tractorului.
Tractorul nu mărunțește corect.	<ul style="list-style-type: none"> Resturile de iarbă tăiată udă se lipesc de dedesubtul carcasei. 	<ul style="list-style-type: none"> Așteptați să se usuce iarba înainte de a tunde.
	<ul style="list-style-type: none"> Tractorul iarbă este setată să taie prea multă iarbă odată. 	<ul style="list-style-type: none"> Ridicați înălțimea de tăiere a punții.
Vibrații excesive.	<ul style="list-style-type: none"> Reascuțiți lamele de tăiere. 	<ul style="list-style-type: none"> Strângeți șurubul lamei la cuplul recomandat.
	<ul style="list-style-type: none"> Lamele sunt îndoite. 	<ul style="list-style-type: none"> Înlocuiți lamele de tăiere îndoite urmând instrucțiunile din secțiunea „ÎNLOCUIREA LAMELOR DE TĂIERE”.
	<ul style="list-style-type: none"> Puntea nu este nivelată. 	<ul style="list-style-type: none"> Nivelați puntea tractorului urmând instrucțiunile din secțiunea „Nivelarea punții”.
	<ul style="list-style-type: none"> Piulițele punții sunt slăbite de pe articulația suspensiei. 	<ul style="list-style-type: none"> Strângeți piulițele de pe legătura de suspensie.
	<ul style="list-style-type: none"> Puntea este setată să taie prea multă iarbă deodată. 	<ul style="list-style-type: none"> Ridicați înălțimea de tăiere a punții.
Există iarbă sau resturi pe pământ după tuns.	<ul style="list-style-type: none"> Puntea este setată să taie prea multă iarbă deodată atunci când iarba este înaltă. 	<ul style="list-style-type: none"> Începeți cu o înălțime ridicată de tăiere și reduceți-o până când se obține rezultatul dorit la cosit. Iarba de peste 152 mm înălțime ar trebui tunsă de două ori, la înălțimi de tăiere succesive.
	<ul style="list-style-type: none"> Iarba este udă. 	<ul style="list-style-type: none"> Nu cosiți când iarba este umedă. Așteptați până când iarba se usucă.
	<ul style="list-style-type: none"> Viteza de conducere este mare. 	<ul style="list-style-type: none"> Reduceți viteza de conducere.
	<ul style="list-style-type: none"> Viteza lamei este redusă. 	<ul style="list-style-type: none"> Măriți viteza lamei treptat.

PROBLEMĂ	CAUZĂ	SOLUȚIE
Durata scurtă de funcționare a tractorului cu bateriile incluse.	<ul style="list-style-type: none"> Terenul gazonului, condițiile de iarbă, setarea înălțimii de tăiere, viteza de deplasare, viteza lamei etc. vor afecta în mare măsură durata de funcționare. 	<ul style="list-style-type: none"> Ridicați înălțimea de tăiere a punții și încetiniți viteza lamei pentru a reduce sarcina de tăiere.
Tractorul nu merge drept.	<ul style="list-style-type: none"> Presiunea pneurilor din roțile din stânga și din dreapta este diferită. 	<ul style="list-style-type: none"> Verificați și reglați presiunea de aer la ambele pneuri față-spate, în conformitate cu recomandările din secțiunea "SPECIFICAȚII" din prezentul manual.
Pedala frânei de staționare nu poate fi eliberată din poziția de frână de staționare sau revine lent.	<ul style="list-style-type: none"> Traectoria de deplasare a pedalei frânei de parcare este înfundată cu resturi. 	<ul style="list-style-type: none"> Verificați și îndepărtați resturile.
Tractorul nu poate fi încărcat prin intermediul portului de încărcare dacă indicatorul de stare al tractorului strălucește în roșu continuu.	<ul style="list-style-type: none"> Mufa încărcătorului nu este introdus corect în portul de încărcare de pe tractor. 	<ul style="list-style-type: none"> Reconectați mufa încărcătorului pentru a vedea dacă tractorul poate fi încărcat normal.
	<ul style="list-style-type: none"> Nu există curent în prizele de perete. 	<ul style="list-style-type: none"> Nu este necesară nicio acțiune. Așteptați până când puterea se recuperează.
	<ul style="list-style-type: none"> Defecțiunea încărcătorului. 	<ul style="list-style-type: none"> Vă rugăm să contactați centrul de asistență pentru clienți EGO pentru ca încărcătorul să fie inspectat și/sau reparat, dacă este necesar, de către un tehnician de service calificat.
	<ul style="list-style-type: none"> Portul încărcătorului de pe tractor este defect. 	<ul style="list-style-type: none"> Vă rugăm să contactați centrul de servicii pentru clienți EGO pentru reparații.
Timpul de încărcare prin intermediul portului de încărcare al tractorului este prea lung.	<ul style="list-style-type: none"> Utilizarea adaptorului EGO ACA1000 pentru încărcare necesită mult timp. 	<ul style="list-style-type: none"> Utilizați CHV1600E încărcătorului EGO pentru încărcarea directă a tractorului electric pentru tuns iarbă.
RO Bateriile nu pot fi încărcate complet prin portul de încărcare al tractorului.	<ul style="list-style-type: none"> Eroare de firmware a tractorului sau a acumulatorului sau defectarea încărcătorului. 	<ul style="list-style-type: none"> Reinițializați încărcătorul scoțând încărcătorul din priză și așteptând câteva minute. Apoi reconectați fișa la sursa de alimentare. Dacă acest lucru nu rezolvă problema, apelați la Centrul de asistență pentru clienți EGO.
Tractorul nu poate fi pornit după curățare.	<ul style="list-style-type: none"> Curățare necorespunzătoare, cum ar fi pătrunderea apei pe componentele electrice, ecranul LCD etc. 	<ol style="list-style-type: none"> Urmați instrucțiunile din secțiunea "ÎNTREȚINERE GENERALĂ" pentru a curăța corect tractorul. Dacă tractorul a fost prins accidental de ploaie, lăsați-l să se usuce sau folosiți aer comprimat pentru a-l usca.
Puntea se înfundă repede.	<ul style="list-style-type: none"> Puntea nu a fost curățată corespunzător după utilizarea anterioară. 	<ul style="list-style-type: none"> Curățați puntea tractorului după fiecare utilizare, urmând instrucțiunile din secțiunea "Utilizarea racordului de spălare pentru curățarea punții".
Tractorul își pierde ușor tracțiunea atunci când urcă pe pantă.	<ul style="list-style-type: none"> Anvelopele roților din spate sunt uzate. 	<ul style="list-style-type: none"> Căutați un service local pentru înlocuirea anvelopelor roților.
	<ul style="list-style-type: none"> Tusul pe o pantă abruptă. 	<ul style="list-style-type: none"> Tractorul nu trebuie folosit pentru a tunde pante mai abrupte decât gradele necesare.
Atunci când tractorul este oprit pe o pantă cu pedala de frână de parcare acționată, tractorul se poate rostogoli pe pantă.	<ul style="list-style-type: none"> Componentele frânei sunt excesiv de uzate din cauza funcționării necorespunzătoare a tractorului. 	<ul style="list-style-type: none"> Sunați la centrul de asistență pentru clienți EGO pentru reparații.
Nu iese apă din portul de spălare atunci când încercați să spălați puntea.	<ul style="list-style-type: none"> Cuplajul rapid al portului de spălare nu este montat corect pe portul de spălare. 	<ul style="list-style-type: none"> Atașați din nou cuplajul rapid al orificiului de spălare până când auziți un clic clar după apăsarea fermă. Dacă nu funcționează, sunați la Serviciul Clienți EGO.
Se aude un sunet anormal atunci când împingeți manual tractorul fără să-l porniți.	<ul style="list-style-type: none"> Sunetul provine de la magnetii din interiorul motorului de acționare. 	<ul style="list-style-type: none"> Este normal și nu este necesară nicio acțiune.

PROBLEMĂ	CAUZĂ	SOLUȚIE
Volanul nu poate fi rotit.	<ul style="list-style-type: none"> ■ Ansamblul volanului de direcție este înfundat cu resturi. 	<ul style="list-style-type: none"> ■ Verificați și îndepărtați resturile.
Tractorul nu se întoarce la stânga/dreapta atunci când se rotește volanul.	<ul style="list-style-type: none"> ■ Defectarea componentelor electronice sau mecanice. 	<ul style="list-style-type: none"> ■ Sunați la centrul de asistență pentru clienți EGO pentru reparații.
Tractorul nu reușește să se oprească atunci când se eliberează pedala de accelerație.	<ul style="list-style-type: none"> ■ Calea de întoarcere a pedalei de accelerație este înfundată cu resturi. 	<ul style="list-style-type: none"> ■ Verificați și îndepărtați resturile.
	<ul style="list-style-type: none"> ■ Butonul CCS este apăsat neintenționat în timpul conducerii. Tractorul se află în modul de control al vitezei de croazieră 	<ul style="list-style-type: none"> ■ Verificați dacă pictograma CCS este aprinsă pe ecranul LCD și ieșiți din CCS, dacă este necesar. Consultați capitolul "UTILIZAREA CONTROLULUI CRUISE (CCS)".
Funcția CCS nu poate fi activată sau dezactivată.	<ul style="list-style-type: none"> ■ Butonul CCS nu este apăsat corect. 	<ul style="list-style-type: none"> ■ Apăsați butonul CCS până când pictograma CCS se aprinde pe ecranul LCD sau dispare de pe ecranul LCD.
Roțile din față ale tractorului se rotesc cu zgomot anormal	<ul style="list-style-type: none"> ■ Manșoanele arborelui roților din față necesită lubrifiere. 	<ul style="list-style-type: none"> ■ Scoateți acumulatorii și apoi umpleți orificiile de injecție cu lubrifianț până când lubrifianțul se revarsă peste marginea superioară sau inferioară a manșoanelor arborelui roților din față.

REFERINȚA STĂRII TRACTORULUI

Ecraan LCD	Descriere	Indicator de stare a tractorului	Indicator audio	Cauză	Soluție
	Indicator de combustibil	OPRIT	Nu	Indică capacitatea medie de încărcare a bateriilor introduse	Aceasta este o funcționare normală. Nu este necesară nicio acțiune.
	Pictograma Contor de ore	OPRIT	Nu	Afișează timpul total de conducere al tractorului, în ore și nu poate fi resetat.	Aceasta este o funcționare normală. Nu este necesară nicio acțiune.
	Pictograma indicatorului de încărcare	OPRIT	Nu	Indică sarcina curentă a tractorului.	Aceasta este o funcționare normală. Nu este necesară nicio acțiune.
	Pictograma luminilor LED se aprinde pe ecranul LCD.	OPRIT	Nu	Farurile, luminile laterale și luminile din spate sunt aprinse de comutatorul cu LED-uri.	Aceasta este o funcționare normală. Nu este necesară nicio acțiune.
	Pictograma Bluetooth se aprinde pe ecranul LCD	OPRIT	Nu	Tractorul este conectat la un dispozitiv mobil prin Bluetooth.	Aceasta este o funcționare normală. Nu este necesară nicio acțiune.
	Pictograma COSIREA ÎN MARȘARIER se aprinde pe ecranul LCD.	OPRIT	Nu	Aceasta indică faptul că lamele nu pot fi pornite atunci când tractorul se deplasează în marșarier.	Aceasta este o funcționare normală. Dacă este necesar, porniți lamelele în timp ce conduceți în marșarier, urmând secțiunea "PORNIREA LAMELELOR ÎN TIMPUL DEPLASĂRII ÎN MARȘARIER" din acest manual.
	Pictograma Rulare se aprinde pe ecranul LCD.	OPRIT	Nu	Aceasta indică faptul că tractorul poate fi condus sau rulează spre înainte.	Aceasta este o funcționare normală. Așezați maneta de comandă a direcției în poziția "D", neutru sau "R", în funcție de necesități.
	Pictograma Marșarier se aprinde pe ecranul LCD.	OPRIT	Nu	Aceasta indică faptul că tractorul poate fi condus sau se deplasează înapoi.	
	Pictograma Rulare și pictograma Marșarier clipește alternativ	OPRIT	Nu	Aceasta indică faptul că tractorul nu a putut fi condus.	
	Pictograma cheie de siguranță se aprinde	OPRIT	Nu	Cheia de siguranță este introdusă corect.	Aceasta este o funcționare normală. Nu este necesară nicio acțiune.
	Pictograma cheie de siguranță clipește când ecranul LCD afișează "indicatorul de alimentare".	OPRIT	Nu	Cheia de siguranță nu este introdusă.	Introduceți cheia de siguranță, apoi apăsați complet pedala frânei de parcare și apăsați simultan butonul START/STOP mai mult de 3 secunde pentru a porni tractorul.
				Ansamblul panoului de control al cheilor este rupt.	Sunați la centrul de asistență pentru clienți EGO pentru reparații.

RO

Ecran LCD	Descriere	Indicator de stare a tractorului	Indicator audio	Cauză	Soluție
	Pictograma frânei de parcare clipește atunci când ecranul LCD afișează "indicatorul de alimentare".	OPRIT	Nu	Pedala de frână de parcare nu este apăsată.	Cu cheia de siguranță introdusă, apăsați complet pedala frânei de parcare și apăsați simultan butonul START/STOP mai mult de 3 secunde pentru a porni tractorul.
	Pictograma frânei de parcare clipește atunci când ecranul LCD afișează interfața operatorului.	OPRIT	Nu	Apăsați pedala de accelerație înainte de a apăsa pedala frânei de parcare pentru a face indicatorul tractorului să strălucească verde.	Porniți tractorul în mod corespunzător, urmând instrucțiunile din secțiunea " PORNIREA TRACTORULUI ".
	Pictograma frânei de parcare se luminează	OPRIT	Nu	Pedala frânei de parcare este setată în poziția frânei de parcare.	Eliberați-l înainte de a porni tractorul.
	Pictograma senzorului scaunului se luminează	OPRIT	Nu	Operatorul părăsește scaunul sau sistemul de inter-blocare de siguranță a scaunului este deconectat.	Dacă atunci când operatorul este așezat pe scaun și pictograma este luminată, opriți imediat funcționarea tractorului și verificați conexiunea scaunului. Dacă conexiunea scaunului cu tractorul este confirmată corectă, vă rugăm să contactați un tehnician de service calificat pentru reparații.
	Pictograma PTO Switch clipește	OPRIT	Nu	Motorul lamei a fost întrerupt în funcționare și comutatorul PTO nu este setat în poziția oprit.	Înainte de a reporni tractorul, împingeți comutatorul PTO în jos pentru a opri motoarele lamei. Vă rugăm să consultați secțiunea „ DEPANARE ” din acest manual pentru referință.
	Pictograma unui anume compartiment al bateriei clipește.	OPRIT	Nu	O anumită baterie în timpul descărcării este supracurent.	Nu este necesară nicio acțiune. Tractorul poate continua să funcționeze, dacă bateria nominală Ah, exclusiv bateria cu supracurent, este egală sau mai mare de 15 Ah. Odată ce bateria cu supracurent revine la normal, aceasta va alimenta imediat tractorul, iar pictograma va dispărea.
	Pictograma compartimentului gol al bateriei clipește.	OPRIT	Nu	Capacitatea bateriei nu este suficientă pentru a permite tractorului să funcționeze.	Pentru a porni acest tractor, utilizați suficiente baterii EGO urmând instrucțiunile din secțiunea " FIXAREA/ DETAȘAREA ACUMULATORULUI " din acest manual.

Ecran LCD	Descriere	Indicator de stare a tractorului	Indicator audio	Cauză	Soluție
	Pictograma de temperatură și a exact compartimentul bateriei ocupate clipește în același timp.	OPRIT	Nu	Acumulatorul din compartimentul numerotat corespunzător este supra-încălzit.	<ol style="list-style-type: none"> Tractorul poate continua să funcționeze dacă valoarea nominală a bateriei combinată Ah, excluzând bateria supra-încălzită, îndeplinește cerințele. Odată ce bateria supra-încălzită revine la temperatura normală, aceasta se va alătura imediat la puterea tractorului. Dacă valoarea Ah a bateriilor combinată nu îndeplinește cerințele, tractorul nu va funcționa până când nu vor fi introduse mai mulți acumulatori în componentele bateriei libere. Reduceți sarcina tractorului prin ridicarea înălțimii de tăiere a punții de tăiere sau prin reducerea vitezei de deplasare la reluarea lucrului.
	Pictograma de temperatură clipește.	OPRIT	Un bip	Tractorul este supraîncălzit.	Reduceți încărcătura tractorului prin ridicarea înălțimii de tăiere a punții sau prin reducerea vitezei de deplasare a lamei/vitezei de conducere. Faceți o pauză și lăsați tractorul să se răcească.
				Tractorul este prea rece.	Vă rugăm să nu faceți încercări repetate, care ar putea deteriora mașina. Depozitați întotdeauna tractorul și bateria într-un mediu cald. Reporniți tractorul când este încălzit.
	Pictograma de alertă clipește	Clipește roșu	Un bip	Motorul lamei este suprasolicitat.	Ridicați înălțimea de tăiere a punții sau reduceți viteza de deplasare pentru a reduce sarcina tractorului.
				Jgheabul de descărcare laterală este înfundată cu iarbă și resturi.	Curățați jgheabul de descărcare laterală după fiecare utilizare.
				Există o interferență între lamă și puntea tractorului.	Contactați centrul de servicii pentru clienți EGO
	Pictogramele fiecărui compartiment de baterie ocupat și pictograma de alertă clipește la fiecare 1 secundă în același timp pe ecranul LCD.	Clipește roșu	Continuă să semnalizeze până când comutatorul PTO este împins în jos.	Bateriile sunt slab încărcate, iar tractorul se află în modul Limp Home.	<p>Nu mai lucrați și mergeți la zona de încărcare a bateriei.</p> <p>NOTĂ: Când tractorul este în modul Limp-Home, lamele sunt comutate automat în viteză de rotație redusă și între timp, indicatorul sonor va continua să emită sunete de avertizare (bip). Operatorul trebuie să împingă comutatorul PTO în jos pentru a opri motoarele lamei. Indicatorul audio va înceta să mai emită semnale sonore după ce se opresc lamelele.</p>

Ecran LCD	Descriere	Indicator de stare a tractorului	Indicator audio	Cauză	Soluție
	Pictograma fiecărui compartiment de baterie ocupat și pictograma de alertă clipește la fiecare jumătate de secundă.	Clipește roșu	Continuă să semnalizeze	Motorul lamei a fost întrerupt în funcționare și comutatorul PTO nu este setat în poziția oprit.	Tractorul va înceta să funcționeze imediat. Operatorul ar trebui să transporte tractorul în zona de încărcare a bateriei pentru încărcare.
	Pictograma CCS se aprinde pe ecranul LCD	Verde continuu	Nu	Tractorul continuă înainte la o viteză setată fără a fi nevoie să apeși pedala de accelerație.	Aceasta este o funcționare normală. Dacă este necesar, dezactivați funcția CCS urmând secțiunea " Pentru a opri (ieșirea) controlul vitezei de croazieră (CCS) " din manual.
	Pictograma CCS clipește pe ecranul LCD.	OPRIT	Nu	Funcția CCS (sistem de control al vitezei de croazieră) a eșuat. Pedala frânei de parcare este apăsată pentru a opri tractorul.	Funcția CCS nu a putut fi setată atunci când tractorul se deplasează la o viteză foarte mică sau în marșarier. După eliberarea pedalei frânei de parcare, apăsați butonul CCS și pictograma CCS se va aprinde pe LCD sau ieșiți din funcția CCS urmând instrucțiunile din secțiunea " Pentru a opri (ieși) din controlul vitezei de croazieră (CCS) ".
	Nici o pictogramă colector de iarbă nu se aprinde pe ecranul LCD	nu se aplică	Nu	Acesta indică faptul că, colectorul de iarbă nu este montat pe tractor sau nu este montat corect.	Montați corect colectorul de iarbă pe tractor.
	Pictograma colector de iarbă plin clipește pe ecranul LCD.	nu se aplică	Nu	Aceasta indică faptul că, colectorul de iarbă este plin.	Goliți colectorul de iarbă și înlocuiți-l corect.
nu se aplică	nu se aplică	OPRIT	Continuă să semnalizeze	Tractorul este parcat în pantă, iar operatorul părăsește tractorul fără a seta pedala frânei de parcare în poziția frânei de parcare.	Pedala de frână de parcare este setată la poziția de frână de parcare. Pictograma frânei de parcare se va aprinde, iar indicatorul sonor nu va mai emite un semnal sonor.
OPRIT	Defecțiuni la portul de încărcare	ROȘU continuu	nu se aplică	Fără alimentare electrică.	Verificați priza de perete dacă este furnizat 220V-240V sau dacă priza este bună.
		ROȘU continuu	nu se aplică	Defecțiuni electronice, cum ar fi faptul că portul de încărcare este în circuit deschis, siguranța este arsă etc.	Sunați la centrul de asistență pentru clienți EGO pentru reparații.

REFERINȚA CODULUI DE EROARE

Descriere	Cod de defecțiune pe ecranul LCD	Indicator audio	Soluție
Motorul lamei stânga eșuează în rotație	509	Un bip	Mai întâi inspectați lama. Dacă este slăbit, strângeți șurubul cu cuplul recomandat. Altfel, vă rugăm să contactați centrul de servicii pentru clienți EGO pentru reparații.
Motorul cu lamei drepte eșuează în rotație.	609	Un bip	

AVERTISMENT: Pentru orice alte coduri de eroare apărute pe ecranul LCD, care pot indica o defecțiune a PCBA, o conexiune slăbită, o defecțiune a motorului de antrenare, a motoarelor lamei etc., vă rugăm să scoateți toți acumulatorii și să-i reintroduceți câteva minute mai târziu pentru a reporni tractorul. Dacă acest lucru nu rezolvă problema, vă rugăm să înregistrați codul de defecțiune și să contactați centrul de servicii pentru clienți EGO pentru reparații.

GARANȚIE

POLITICA PRIVIND GARANȚIA EGO

Vă rugăm să consultați site-ul egopowerplus.eu pentru termenii și condițiile complete ale politicii privind garanția EGO.

PREBERITE VSA NAVODILA!



PREBERITE PRIROČNIK Z NAVODILI ZA UPORABO

VARNOSTNI SIMBOL

Namen varnostnih simbolov je, da vas opozorijo na morebitne nevarnosti. Bodite pozorni na varnostne simbole in njihova pojasnila ter jih poskušajte razumeti. Opozorilni simboli sami ne odpravljajo nobene nevarnosti. Navodila in opozorila ne nadomeščajo ustreznih ukrepov za preprečevanje nesreč.

⚠ OPOZORILO: Poskrbite, da boste pred uporabo orodja prebrali in razumeli vsa varnostna navodila v priročniku z navodili za uporabo, vključno z vsemi simboli za varnostna opozorila, kot so „NEVARNOST“, „OPOZORILO“, in „SVARILO“. Zaradi neupoštevanja spodaj navedenih navodil lahko pride do električnega udara, požara in/ali resnih telesnih poškodb.

POMEN SIMBOLA

Na tej strani so prikazani in opisani varnostni simboli, ki se lahko pojavijo na tem izdelku. Preberite in osvojite navodila na napravi ter jih upoštevajte, preden se lotite sestavljanja in upravljanja stroja.

VARNOSTNI SIMBOLI

	Varnostno opozorilo		Uporabniški priročnik morate prebrati in razumeti.
	Zaščita za oči		Varnostne naprave morate vzdrževati.
	NEVARNOST – nevarnost zaradi strmega pobočja		NEVARNOST – opazovalci ne smejo stati v bližini rezil.
	Nikoli ne vozite otroka na kosilnici.		Pri vzvratni vožnji poglejte nazaj.
	OPOZORILO – Tega stroja ne uporabljajte na pobočjih, strmejših od 12°		NEVARNOST – izvrženi predmeti
	OPOZORILO – DRŽITE ROKE IN NOGE STRAN		Zagotovljena raven zvočne moči V skladu z direktivo Evropske skupnosti.
	Ne stopajte		Odpadnih električnih izdelkov ne odlagajte med gospodinske odpadke. Odnosite jih v pooblaščen obrat za recikliranje.
	Ta izdelek je skladen z veljavnimi direktivami ES.		POZOR – Ne zrite v sijalko za prikaz delovanja.
	Enosmerni tok		Ta izdelek je skladen z veljavno zakonodajo VB.

SL

kPa	Kilopascal
V	Volt
in	Palec
Nm	Newton meter
°C	Celzij
km/h	Kilometri na uro

VRT./MIN.	Število vrtljajev na minuto
m	Metri
cm	centimetri
mm	Milimetri
kg	Kilogram
IPX4	Stopnja zaščite pred vdorom

SIMBOLI, UPORABLJENI V TEH NAVODILIH



Podatke je treba upoštevati



Označeno dejanje se ustavi

TEHNIČNI PODATKI

Napetost	56 V	
Velikost pokrova	98 cm	
Velikost kolesa	Spredaj	15 x 6 – 6 palcev
	Zadaj	18 x 7,5 – 8 palcev
Tlak pri hladni pnevmatiki	Spredaj	96,5 kPa
	Zadaj	170 kPa
Hitrost rezila (vrt./min)	Do 3000	
Največja hitrost vožnje	Naprej	Do 9,6 km/h
	Vzratno	do 4,8 km/h
Prilaganje višine košnje (12 položajev)	25 – 100 mm	
Temperaturni razpon polnjenja	Od 5 °C do 40 °C	
Obratovalna temperatura	0°C – 40°C	
Temperatura za shranjevanje	Od –20 °C do 70 °C	
Teža (brez akumulatorja)	220 kg	
Izmerjena raven zvočne moči L_{WA}	97,7 dB(A) K=1,75 dB(A)	
Raven zvočnega tlaka v ušesu upravljavca L_{PA}	83,6 dB(A) K=3 dB(A)	
Zajamčena raven zvočnega tlaka L_{WA} (izmerjena v skladu z 2000/14/ES)	100 dB(A)	
Tresljaji a_h	Ročno	0,24 m/s ² K=1,5 m/s ²
	Telo	0,18 m/s ² K=1,5 m/s ²

- Nazivna skupna vrednost tresljajev je bila izmerjena v skladu s standardno preskusno metodo in jo je mogoče uporabiti za primerjavo enega orodja z drugim.
- Nazivno skupno vrednost tresljajev je mogoče uporabiti tudi za predhodno oceno izpostavljenosti.

OPOMBA: Oddajanje tresljajev med dejansko uporabo električnega orodja se lahko razlikuje od nazivne vrednosti, v kateri se uporablja orodje. Upravljaev se lahko zaščiti tako, da uporablja rokavice in naušnike, primerne dejanskim pogojem uporabe.

PRIPOROČENI DODATKI

⚠ OPOZORILO: Uporabljajte samo dodatno opremo, navedeno spodaj. Uporaba delov, ki ne izpolnjujejo zahtev originalne opreme, lahko vodi k neprimernemu delovanju in ogroženi varnosti.

IME DELA	ŠTEVILKA MODELA
Komplet zbirke rezil	AB3801TD
Priključek za mulčenje	AMP3800T

OPIS

SPOZNAJTE TRAKTOR (SI. A1)

- Sedež
- Držala za pijačo
- Zadnje kolo (pogonsko kolo) (x2)
- Vodni priklop (x2)
- Pokrov
- Vodilno kolo (x2)
- Sprednje kolo (x2)
- Sprednji odbijač
- Stopalka parkirne zavore
- Žaromet LED (x2)
- Napajalna enota
- Prostor za shranjevanje
- Ročica za zaklepanje parkirne zavore
- Volan
- Vzvod za prilaganje položaja sedeža
- Vreča za travo

SL

17. Polnilna vrata
18. Vrata USB
19. Košarica za shranjevanje
20. Pedal za plin
21. Vzvod za prilagajanje višine pokrova
22. Vzvod za vpenjanje
23. Ročaj
24. Kazalnik stanja traktorja
25. Gumb za nastavitev hitrosti rezila
26. Gumb za KOŠNJO V VZVRATNI SMERI
27. Gumb za zagon/zaustavitev
28. Ročica za nadzor smeri
29. Varnostni ključ
30. Stikalo PTO
31. CCS Button
32. Gumb za žaromet LED/Bluetooth
33. Gumb za nastavitev hitrosti vožnje
34. Gumb za sprostitvev pokrova napajalne enote
35. Pokrov napajalne enote
36. Napajalna enota s šestimi predeli za akumulatorje
37. Gumb za sprostitvev akumulatorja

SPOZNAJTE LCD ZASLON (SI. A2)

Za več informacij o ikonah in indikatorjih na LCD zaslonu glejte razdelek "NAVEDBA STANJA TRAKTORJA" in "NAVEDBA KODE NAPAKE".

1. Ikona CCS
2. Indikator stanja varnostne naprave
3. Ikona VZVRATNA KOŠNJA IZKLOPLJENA
4. Ikona pogona
5. Ikona za vzvratno smer
6. Ikona varnostnega ključa
7. Ikona LED-luči
8. Ikona Bluetooth
9. Indikator hitrosti rezila
10. Števec ur
11. Merilnik stanja goriva
12. Ikona temperature
13. Ikona opozorila (preobremenitev/nizka moč)
14. Ikona praznega prostora za akumulatorje
15. Ikona zasedenega prostora za akumulatorje
16. Indikator kode napake
17. Indikator obremenitve
18. Indikator hitrosti vožnje
19. Ikona polna vreča
20. Ikona ni vreče

ODSTRANJEVANJE EMBALAŽE

OPOMBA: Shranite embalažni material, dokler izdelka temeljito ne pregledate in ga ne začnete uporabljati zadovoljivo. Če manjka katerikoli del s seznama delov stroja, se takoj obrnite na servisno službo EGO.

OPOMBA: Razen orodja, ki je navedeno v spodnji vsebini paketa, so vsa druga orodja, ki so omenjena v priročnikih, le priporočena, niso pa priložena.

VSEBINA PAKETA (SI. B)

B-1:	Električna traktor kosilnica	B-2	Sedež
B-3	Volan	B-4	Protiprašni pokrovček
B-5	Kombinirani ključ	B-6	18 mm nasadni ključ
B-7	Vijak (1 za rezervo)	B-8	M8 matica (1 za rezervo)
B-9	M12 matica (1 za rezervo)	B-10	Podložke (1 za rezervo)
B-11	Varnostni ključ	B-12	Hitra spojka za vodni priklon
B-13	Priročnik za uporabo	B-14	Vreča za travo (z dvema sklopoma vijakov in matice za stranske nosilce)
B-15	Nosilec v obliki črke U	B-16	Stranski nosilec
B-17	Vzvod za vpenjanje	B-18	Levi in desni nosilec za vrečo
B-19	Prečni drog	B-20	Vijak M8X40
B-21	Vijak M8X25	B-22	Matica M8

SL

SESTAVLJANJE

NAMESTITEV VOLANA (SI. C1)

C1-1	Krmilni steber	C1-2	Volan
C1-3	Sredinska črta	C1-4	Podložka
C1-5	Matica	C1-6	18 mm nasadni ključ
C1-7	Pokrov za prah		

NAMEŠČANJE SEDEŽA (SI. C2)

⚠ OPOZORILO: Varnostnega zaklepnega sistema ni dovoljeno odklopiti ali zaobiti. Posledično lahko začne traktor nepričakovano delovati, kar lahko povzroči telesno poškodbo.

C2-1	Sedež	C2-2	Matica (M8)
C2-3	Vijak	C2-4	Vtičnica
C2-5	Vtikač		

NAMESTITEV VREČE ZA TRAVO (SI. C3 – C8)

C3-1	Nosilec v obliki črke U	C3-2	Vreča
C3-2	4 kompleti vijakov in matic (M8 X 40)	C3-4	Kombiniran ključ
C4-1	Stranski nosilci	C4-2	4 kompleti vijakov in matic (M8 X 40)
C4-3	Kombiniran ključ	C5-1	Vzvod za vpenjanje
C5-2	1 komplet vijaka in matice (M8 X 40)	C5-3	Kombiniran ključ
C6-1	Podporni nosilci za vrečo	C6-2	4 kompleti vijakov in matic (M8 X 25)
C6-3	Kombinirani ključi	C7-1	Prečni drog
C7-2	2 matice (M8)	C7-3	Kombiniran ključ

PRILAGAJANJE

PRED PRILAGAJANJEM (SI. D1)

PRILAGAJANJE VIŠINE POKROVA ZA KOŠNJO (SI. D2)

PRILAGAJANJE VODILNIH KOLES (SI. D3 – D6)

D3-1	Vodilno kolo	D5-1	Matica
D5-2	Kolesna matica	D6-1	Oznaka višine pokrova

NASTAVITEV SEDEŽA (SI. D7)

D7-1	Vzvod za prilagajanje položaja sedeža
------	---------------------------------------

SL UPRAVLJANJE

PRED ZAGONOM (SI. E1)

NASTAVITEV PARKIRNE ZAVORE (SI. E2)

E2-1	Položaj parkirne zavore	E2-2	Sproščen položaj
------	-------------------------	------	------------------

▲ OPOZORILO: PEDAL ZA PARKIRNO ZAVORO NE MORE UPOČASNITI HITROSTI VOŽNJE. NIKOLI NE POSKUŠAJTE PRITISNITI NA PEDAL ZA PARKIRNO ZAVORO, DA BI MED VOŽNJO UPOČASNILI HITROST VOŽNJE. KO JE PEDAL PARKIRNE ZAVORE PRITISNEN, VENDAR NI VKLJUČEN V POLOŽAJ PARKIRNE ZAVORE, ELEKTRIČNA ZAVORA NI VEČ UČINKOVITA IN TRAKTOR SE BO NEHAL PREMİKATI PO RAVNI POVRŠINI. TAKO JE NA RAVNI POVRŠINI, ČE PA SE TO ZGODI NA POBOČJU, LAHKO TRAKTOR ZDRSNE PO POBOČJU.

▲ OPOZORILO: POVLECITE ROČICO ZA ZAKLEPANJE PARKIRNE ZAVORE IN TAKOJ PRITISNITE PEDAL ZA PARKIRNO ZAVORO, DA VKLJUČITE POLOŽAJ PARKIRNE ZAVORE. V PRIMERU IZREDNIH RAZMER, SE TRAKTOR TAKOJ USTAVI IN NE BO ZDRSNIL NAVZDOL PO POBOČJU.

NAMEŠČANJE/ODSTRANJEVANJE AKUMULATORSKEGA SKLOPA (SI. E3 – E6)

Za zagon traktorja morate uporabiti akumulator EGO s skupno močjo 15 Ah (2 X BA4200/BA4200T) ali več. Za najboljše delovanje priporočamo uporabo akumulatorja EGO s skupno močjo 30 Ah ali več.

E3-1	Gumb za sprostitvev pokrova	E5-1	Gumb za sprostitvev akumulatorja
------	-----------------------------	------	----------------------------------

POLNLENJE TRAKTORJA

Uporabljajte samo priporočene akumulatorske sklope in polnilnike.

- Ločeno napolnite akumulator(je) (sl. E7)

OPOMBA: Za podrobna navodila glejte ustrezne priročnike za akumulator in polnilnik.

- Napolnite akumulatorske sklope prek polnilnih vrat (sl. E8 – E10)

E10-1	Protiprašni pokrovček	E10-2	Polnilna vrata
-------	-----------------------	-------	----------------

PREIZKUŠANJE VARNOSTNEGA ZAKLEPNEGA SISTEMA

- Za preizkus sistem pokrova in rezila (sl. E11 – E12)
- Za preizkus pogonskega sistema (sl. E13 – E14)

Če se sistem pokrova in rezila in/ali sistem vožnje ne zaustavi, ko voznik vstane s sedeža in če ne morete določiti vzroka, potem ko ste potrdili, da sta vtikač in vtičnica sedeža dobro priključena, se takoj obrnite na servisni center za stranke EGO.

KOMUNIKACIJSKA TEHNOLOGIJA

Za informacije ali našo celotno ponudbo povezanih izdelkov in storitev, vključno z navodili za povezavo, skenirajte kodo QR spodaj ali obiščite spletno mesto www.egopowerplus.eu/connect.



KONTROLNI SEZNAM PRED ZAGONOM

- Prepričajte se, da v delovnem območju ni otrok, opazovalcev ali hišnih ljubljencev.
- Iz delovnega območja odstranite vse predmete, ki bi jih lahko rezila traktorja razmetala naokoli.
- S traktorja očistite ostanke.
- Preverite ohlapne pritrdilne elemente.
- Preverite, ali so vsa varovala na mestu in pravilno delujejo.
- Vizualno preverite, ali je pnevmatika morda prazna.
- Preverite delovanje zavor.
- Nastavite višino plošče na zeleni položaj košnje, ki je najbolj primeren za trato, in ustrezno prilagodite kolesa proti skalpu.

- Prilagodite položaj sedeža in se prepričajte, da lahko dosežete oba pedala.
- Preverite raven napoljenosti akumulatorja.
- Preverite varnostni zaklepni sistem.
- Prepričajte se, da je vreča za travo pravilno nameščena.

ZAGON TRAKTORA (SI. E15 – SI. E16)

▲ OPOZORILO: Izogibajte se nenadnim zagonom, zaustavitvam in zavojem ter velikemu pospeševanju hitrosti, še posebej ko se prvič učite upravljati traktor. Traktor se lahko hitro zavrti, zaradi česar lahko izgubite nadzor in povzroči resne telesne poškodbe in/ali škodo.

▲ OPOZORILO: Pred zagonom traktorja preverite in se prepričajte, da so rezila izklopljena v 5s, ko potisnete stikalo PTO navzdol. Če se rezila ne nehajo vrteti, traktorja ne smete uporabiti in se takoj obrnite na servisno službo za stranke podjetja EGO.

OPOMBA:

- Če je pedal za parkirno zavoro nastavljen v položaju parkirne zavore, morate 3 sekunde pritisniti gumb za zagon/zaustavitev, da osvetlite LCD zaslon, nato pa pred vožnjo traktorja spustite pedal za parkiranje in zavoro.
- Rezila lahko zaženete kadarkoli, ko je LCD zaslon popolnoma osvetljen in ročica za krmiljenje smeri ni potegnjena nazaj v smeri »R«. Če želite vklopiti rezila med vožnjo traktorja v vzvratni smeri, glejte razdelek "VKLOP REZIL MED VOŽNJO V VZVRATNI SMERI" v tem priročniku.

OPOMBA: Sledite sl. E17, da dobite najnižjo hitrost vožnje, dokler niste popolnoma sposobni upravljati traktorja v vseh situacijah.

Električni traktor si ne zapomni nastavitve hitrosti vožnje in hitrosti rezila. Hitrost vožnje in hitrost rezila se bosta vrnila na raven 2 vsakič, ko je traktor izklopljen.

Prilagoditev hitrosti vožnje (sl. E17)

Prilagoditev hitrosti rezila (sl. E18)

OPOMBA: Ko je v »Level 3«, znova pritisnite gumb za nastavitev hitrosti rezila in hitrost rezila bo nadaljevala prejšnjo hitrost.

LED luči (sl. E19)

- LED žaromete je mogoče vklopiti in izklopiti s stikalom za LED luči.

Vrata USB

OPOMBA: Vrata USB zagotavljajo moč polnjenja s 5 V enosmernega toka pri kombinirani vleki 1,5 A in se napajajo le takrat, ko je traktor vklopljen.

USTAVITEV TRAKTORJA (SI. E20)

▲ OPOZORILO: Ko traktor preneha voziti po pobočju, vedno nastavite pedal parkirne zavore v položaj parkirne zavore, sicer lahko traktor zdrsne navzdol po pobočju, kar lahko povzroči resne poškodbe traktorja ali telesne poškodbe!

OPOMBA: V primeru, ko je pedal za parkirno zavoro nastavljen na položaj parkirne zavore in je upravljavec izven sedeža, vendar akumulatorji niso odstranjeni:

- V primeru, da je LCD zaslon izklopljen, bodo indikator za baterije, gumb za zagon/zaustavitev in gumb CCS ostali osvetljeni 1 uro.
- Če LCD zaslon prikazuje „merilnik stanja goriva“ ali vmesnik upravljavca, se traktor samodejno izklopi po 1 uri.

Način Limp-Home

Ko postane napoljenost akumulatorja kritično nizka, bo traktor prešel v način Limp-Home, da ohrani dovolj energije za pot nazaj v območje polnjenja.

- Rezila preklopijo na nizko hitrost vrtenja, s čimer lahko pokosite le zelo malo trave. Ko naletite na visoko in gosto travo, se rezila nehajo vrteti. Zvočni indikator se bo oglasil (piskal) v presledkih.
- Indikator stanja traktorja utripa rdeče vsako sekundo, utripa tako opozorilna ikona (nizka poraba) kot ikona vsakega zasedenega prostora za baterije.

Voznik mora:

- Potisniti stikalo PTO navzdol, da izklopi motorje rezil. Zvočni indikator bo prenehal piskati, ko se bodo motorji rezila zaustavili.
- Prenehajte z delom in se čim prej odpravite na območje polnjenja. Največja razdalja, ki jo lahko opravi traktor, znaša 1000 m.

Ko je akumulator skoraj prazen, bosta ikona vsakega zasedenega predela akumulatorja in indikator nizkega stanja energije utripnila vsake pol sekunde. Traktor bo takoj prenehal delovati. Voznik mora odpeljati traktor v območje za polnjenje, da se napolni.

OBVESTILO: Če je potrebno ročno potiskanje, se prepričajte, da so akumulatorji odklopljeni od traktorja in da je pedal za parkirno zavoro sproščen iz položaja parkirne zavore.

VOŽNJA TRAKTORJA (SI. E21)

▲ NEVARNOST: Ostanite vsaj za dve širini košnje od vseh jarkov, prepadov ali vode. Sprednji kolesi se lahko vrtili, ko je traktor zaustavljen, tudi če je aktivirana zavora, kar pomeni, da se lahko traktor premakne čez rob ali v vodo ter tako povzroči smrt ali resne telesne poškodbe.

▲ OPOZORILO: Traktorja ne uporabljajte na javnih cestah.

▲ OPOZORILO: Če pride do blokade ali zadenete ob neznan predmet, ustavite motorje in odstranite akumulator. Odstranite odrezke trave, listje, umazanijo in vse druge nakopičene ostanke; temeljito pregledajte, ali je traktor poškodovan ter popravite poškodbe, preden znova zaženete in uporabite traktor kosilnico.

OPOMBA:

- Med vožnjo, ko zapustite sedež, se indikator stanja traktorja izklopi. Ko znova zaženete vožnjo, se naslonite na sedež in popolnoma pritisnite pedal za parkiranje in zavoro, da bo indikator stanja traktorja zasijal zeleno.
- Pri preklopu med vožnjo naprej in nazaj premaknite ročico za upravljanje smeri neposredno z enega konca na drugega, ne da bi se ustavili v nevtralnem položaju, sicer se lahko traktor neha premikati.

UPORABA TEMPOMATA (CCS)

Za aktiviranje (vnos) tempomata (CCS) (sl. E22)

OPOMBA: Stopnja hitrosti vožnje, prikazana na LCD-zaslону, morda ne predstavlja natančno dejanske hitrosti vožnje traktorja v tempomatu. Pritisnite gumb za nastavev hitrosti, da »osvežite« raven hitrosti vožnje na LCD zaslonu.

Če želite ustaviti (izhod) tempomat (CCS), lahko izberete enega od treh načinov:

- Pritisnite na pedal za plin do konca in ga še naprej pritiskajte. Funkcija CCS se bo ustavila in traktor bo nadaljeval vožnjo.
- Rahlo pritisnite na pedal za plin in ga nato spustite. Traktor in funkcija CCS se bosta zaustavila.
- Pritisnite gumb CCS. Traktor in funkcija CCS se bosta zaustavila.

OPOMBA: Ko se CCS ustavi, bo ikona "Ⓢ" izginila z LCD zaslona in zvočni signal se bo oglasil dvakrat.

OPOMBA: Če je pedal za parkiranje zavore pritisnjen, se traktor ustavi, ikona "Ⓢ" pa utripa na LCD-zaslону in tako označuje, da je CCS v stanju pripravljenosti. V tem primeru spustite pedal za parkirno zavoro, pritisnite gumb CCS. Traktor bo samodejno nadaljeval vožnjo in ikona "Ⓢ" bo prenehala utripati.

VKLOP REZIL MED VOŽNJO V VZVRATNI SMERI

OBVESTILO: Košnja v vzratni smeri ni priporočljiva.

⚠ OPOZORILO: Bodite zelo previdni pri košnji v vzratni smeri. Vedno poskrbite, da noben posameznik ne pride na delovno področje, še posebej majhni otroci pred in med košnjo v vzratni smeri.

⚠ OPOZORILO: Vidljivost upravljavcev bi lahko bila oslajljena pri upravljanju traktorja s pritrjenim kompletom za vreče. Pred in med košnjo v vzratni smeri je treba vedno upoštevati izjemno previdnost in poznavanje okolice.

Za aktiviranje (Enter) KOŠNJE V VZVRATNI SMERI (E23)

Za zaustavitev (Exit) KOŠNJEV VZVRATNI SMERI, lahko izberete enega od štirih načinov:

- Pritisnite gumb za KOŠNJO V VZVRATNI SMERI enkrat.
- Dvignite se s traktorskega sedeža.
- Pritisnite gumb za zagon/zaustavitev za 3 s, da izklopite LCD zaslon.
- Odstranite varnostni ključ ali odstranite akumulatorje, da zaustavite traktor.

OPOMBA: Ko je KOŠNJA V VZVRATNI SMERI ustavljena, se na LCD zaslonu zasveti ikona "Ⓢ".

IZPRAZNITEV VREČE ZA TRAVO (SI. E24)

OPOMBA: Ko ikona "Ⓢ" utripa na LCD zaslonu, je vrečka za travo polna. Ko se vreča izprazni, bo ikona "Ⓢ" izginila z LCD zaslona.

OPOMBA: Vrečo za travo je treba pravilno zamenjati na traktor, sicer lahko traktor vozite, motorjev z rezilom pa ni mogoče vklopiti.

VZDRŽEVANJE

⚠ OPOZORILO: Vedno nosite zaščito za oči, ki ima varovanje tudi s strani. Če tega ne storite, vam lahko v oči priletijo predmeti, kar lahko povzroči hude poškodbe.

⚠ OPOZORILO: Pri izvajanju vzdrževanja na rezilu traktorja dlani vedno zaščitite z robustnimi rokavicami ali robove rezila ovijte s krpami ali drugim materialom. Pri servisiranju ali transportu traktorja vedno odstranite varnostni ključ in akumulatorski sklop.

PRIPOROČEN(-I) URNIK(-I) VZDRŽEVANJA

Servisni interval vzdrževanja	Postopek vzdrževanja
Pred vsako uporabo ali vsak dan	<ul style="list-style-type: none"> ▪ Preverite varnostni zaklepni sistem. ▪ Vizualno preverite, ali je pnevmatika morda prazna. ▪ Preglejte rezila. ▪ Celoten izdelek pregledajte za poškodovane, manjkajoče ali zrahljanje dele, kot so stranski deflektor za izmet, vijaki, matice, sorniki, pokrovi itd., ter se prepričajte, da so vse zaščite nameščene in ustrezno delujejo. ▪ Preverite in se prepričajte, ali je pedal za plin mogoče pravilno pritisniti in sprostiti. ▪ Preverite blažilnik volana. Volan je treba vrteti z določenim uporom.
Po vsaki uporabi	<ul style="list-style-type: none"> ▪ Očistite traktor in operite pokrov.
Vsakah 25 ur	<ul style="list-style-type: none"> ▪ Preverite tlak v pnevmatikah.
Vsakah 100h	<ul style="list-style-type: none"> ▪ Preverite zadnji kolesi in se prepričajte, da so vse kolesne matice zategnjene s priporočenim navorom (101-103 Nm). ▪ Preverite sprednji kolesi in se prepričajte, da so matice zategnjene s priporočenim navorom (90-92 Nm).
Vsakah 200h	<ul style="list-style-type: none"> ▪ Preverite sprednji kolesi in se prepričajte, da se prosto vrtita.
Vsake pol leta	<ul style="list-style-type: none"> ▪ Preverite stopalko parkirne zavore. Odstranite akumulator iz traktorja, nato povlecite ročico za zaklepanje parkirne zavore in pritisnite pedal za parkirno zavoro, da nastavite parkirno zavoro. Ročno potisnite traktor naprej, da preverite, ali je traktor mogoče premikati brez vrtenja zadnjih koles. Če se traktor premakne in zadnja kolesa se medtem vrtijo, se za popravilo obrnite na center za pomoč strankam EGO.

Pred shranjevanjem	<ul style="list-style-type: none"> ▪ Iz traktorja odstranite akumulatorje. ▪ Iz traktorja odstranite varnostni ključ. ▪ Izvedite vse zgoraj navedene vzdrževalne postopke in traktor temeljito očistite. ▪ Preglejte celoten izdelek glede poškodovanih, manjkajočih ali zrahljanih delov, zamenjajte ali privijte ustrezne dele pred shranjevanjem.
Letno	<ul style="list-style-type: none"> ▪ Podmažite ovoje gredi sprednjih koles.

SPLOŠNO VZDRŽEVANJE

Praznjenje trave (sl. F1 – F3)

Čiščenje ohišja traktorja (sl. F4)

Uporaba vodnega priklopa za čiščenje pokrova traktorja (sl. F5 – F6)

F5-1	Vodni priklop	F5-2	Hitra spojka za vodni priklop
F5-3	Vrtna cev		

OPOMBA: Ko končate s čiščenjem, popolnoma izklopite traktor in nato odstranite vrtno cev in hitro spojko.

VZDRŽEVANJE POKROVA TRAKTORJA IN REZIL

Priprava (slika G1)

Odstranitev pokrova kosilnice (sl. G2 – G3)

G2-1	Kabel motorja	G2-2	Razcepka
G2-3	Spoj vzmetenja		

Zamenjava rezil (sl. G4 – G6)

G4-1	Stabilizator	G5-1	Vijak
G5-2	Podložka	G5-3	Rezilo
G5-4	Prirobnica	G5-5	Gred motorja

Izravnava pokrova kosilnice

- a. **Kdaj izravnati (sl. G7 / sl. G8 / sl. G9)**
- b. **Pred izravnavo**
 - Preverjanje tlaka pri hladni pnevmatiki (sl. G10)
 - Preverite rezila. Obrabljena, počena in/ali ukrivljena rezila po potrebi odstranite in zamenjajte.
- c. **Priprava za izravnavo (slika G11)**
- d. **Način izravnave**
 - Prilagajanje od ene do druge strani (sl. G12)
 - Prilagajanje od spredaj nazaj (sl. G13)

SKLADIŠČENJE IN PREVOZ

PREVAŽANJE TRAKTORJA (SI. H1 – H5)

H2-1	Rampe	H2-2	Pasovi
------	-------	------	--------

OPOMBA: Traktor ustrezno pritrdite s trakovi ali kabli, da se ne bo med prevozom premikala.

SKLADIŠČENJE (SI. I1 – I2)

OBVESTILO: Odstranite in shranite baterije ločeno - glejte ustrezne priročnike.

Pred skladiščenjem očistite in preverite traktor - glejte poglavji "SPLOŠNO VZDRŽEVANJE" in "PRIPOROČENI RAZPORED VZDRŽEVANJA".


Varovanje okolja



Odpadna električna in elektronska oprema: električne opreme, rabljenega akumulatorja in polnilnika ne odvrzite med gospodinjske odpadke. Izdelek odnesite v pooblaščen obrat za recikliranje in ga zavrzite ločeno. Električna orodja je treba odnesti na obrat za recikliranje in ga reciklirati na okolju prijazen način.

ODPRAVLJANJE TEŽAV

TEŽAVA	VZROK	REŠITEV
Traktor s sedežem in možnostjo obračanja na mestu ne deluje, ko je pedal za plin pritisnjen.	<ul style="list-style-type: none"> ▪ Kombinirana zmogljivost Ah vstavljenega akumulatorja ne izpolnjuje zahteve. 	<ul style="list-style-type: none"> ▪ Za zagon tega traktorja uporabite dovolj EGO baterij po navodilih v poglavju “PRIKLJUČITEV/ODKLOP BATERIJSKEGA SKLOPA” v tem priročniku.
	<ul style="list-style-type: none"> ▪ Stopalka parkirne zavore je v položaju za zaviranje. 	<ul style="list-style-type: none"> ▪ Do konca pritisnite stopalko parkirne zavore, da jo sprostite iz položaja za zaviranje.
	<ul style="list-style-type: none"> ▪ Indikator stanja traktorja ne sije zeleno. 	<ul style="list-style-type: none"> ▪ Pritisnite pedal za parkirno zavoro in nato spustite. Indikator stanja traktorja bo svetil zeleno, kar pomeni, da je traktor pripravljen za zagon.
	<ul style="list-style-type: none"> ▪ Voznik ne sedi na sedežu. 	<ul style="list-style-type: none"> ▪ Traktor je mogoče upravljati samo, če upravljavec pravilno sedi na sedežu.
	<ul style="list-style-type: none"> ▪ Zaporni sistem varnostnega sedeža ni pravilno priključen. 	<ul style="list-style-type: none"> ▪ Odstranite akumulatorje iz traktorja in dvignite zadnji del sedeža navzgor, da se prepričate, ali je kabelski vtič pravilno priključen na vtičnico na dnu sedeža (glejte poglavje “NAMESTITEV SEDEŽA”). Če želite znova zagnati traktor, sledite navodilom v razdelku “ZAGON TRAKTORJA”, da preverite, ali je traktor mogoče zagnati. V nasprotnem primeru za popravilo pokličite center za pomoč strankam EGO.
	<ul style="list-style-type: none"> ▪ V izjemno hladnem vremenu se vozna funkcija morda ne bo zagnala uspešno zaradi nizke temperaturne zaščite. 	<ul style="list-style-type: none"> ▪ Traktor in akumulatorje vedno shranjujte v toplem prostoru. Ko se ogreje, znova zaženite traktor. V izjemno hladnem vremenu ne poskušajte kosilnice zagnati večkrat zapored, saj jo lahko tako poškodujete.
	<ul style="list-style-type: none"> ▪ Pot pedala za plin je zamašena z drobci. 	<ul style="list-style-type: none"> ▪ Preverite, ali so v njej ostanki, in jih odstranite.
	<ul style="list-style-type: none"> ▪ Okvara mehanskih ali elektronskih komponent pedala za plin. 	<ul style="list-style-type: none"> ▪ Za popravilo pokličite center za pomoč strankam EGO.
Električna kosilnica traktor se ustavi.	<ul style="list-style-type: none"> ▪ Ročica za krmiljenje smeri je nameščena v nevtralnem položaju. 	<ul style="list-style-type: none"> ▪ Potisnite/povlecite ročico za krmiljenje smeri v smeri “D” ali “R”.
	<ul style="list-style-type: none"> ▪ Pri preklopu med vožnjo naprej in nazaj ročica za upravljanje smeri dolgo ostane v nevtralnem položaju. 	<ul style="list-style-type: none"> ▪ Rahlo pritisnite na pedal za plin in ga nato spustite.
	<ul style="list-style-type: none"> ▪ Okvara elektronskih komponent pedala za plin. 	<ul style="list-style-type: none"> ▪ Za popravilo pokličite center za pomoč strankam EGO.
	<ul style="list-style-type: none"> ▪ Varnostni sistem zaklepanja sedeža se je med vožnjo po grobem terenu odklopil. 	<ul style="list-style-type: none"> ▪ Odstranite akumulatorje iz traktorja in dvignite zadnji del sedeža navzgor, da se prepričate, ali je kabelski vtič pravilno priključen na vtičnico na dnu sedeža (glejte poglavje “NAMESTITEV SEDEŽA”). Če želite znova zagnati traktor, sledite navodilom v razdelku “ZAGON TRAKTORJA”, da preverite, ali je traktor mogoče zagnati. Za popravilo pokličite center za pomoč strankam EGO.
	<ul style="list-style-type: none"> ▪ Teža voznik ni enakomerno porazdeljena po sedežu. Teža upravljavca na sedežu mora biti vsaj 20 kg, da varnostni sistem zaklepanja sedeža deluje pravilno 	<ol style="list-style-type: none"> 1. Sedite na sedež pravilno, popolnoma pritisnite pedal za parkiranje in zavoro in ga spustite, potem je traktor pripravljen za vožnjo. 2. Odklopite in po potrebi znova pritrdite akumulator.
<ul style="list-style-type: none"> ▪ Ko je pedal za parkirno zavoro dovolj pritisnjen, vendar ne zaklenjen na parkirni položaj, se bo traktor ustavil. 	<ul style="list-style-type: none"> ▪ Za ponovni zagon traktorja sledite navodilom v razdelku “ZAGON TRAKTORJA”. 	

TEŽAVA	VZROK	REŠITEV
<p>Električni traktor ne zažene rezil, ko je stikalo PTO aktivirano.</p>  Ikona stikala PTO utripa	<ul style="list-style-type: none"> ▪ Kombinirana zmogljivost Ah vstavljenega akumulatorja ne izpolnjuje zahteve. 	<ul style="list-style-type: none"> ▪ Za zagon tega traktorja uporabite dovolj EGO baterij po navodilih v poglavju "PRIKLJUČITEV/ODKLOP BATERIJSKEGA SKLOPA" v tem priročniku.
	<ul style="list-style-type: none"> ▪ Stikalo PTO ni bilo pritisnjeno, ko ste nazadnje izklopili traktor. 	<ul style="list-style-type: none"> ▪ Potisnite stikalo PTO navzdol in nato navzgor, da ponovno zaženete motorje rezil.
	<ul style="list-style-type: none"> ▪ Traktor je preobremenjen v trenutku, ko se rezila začnejo vrteti, kar sproži samozaščito motorja. 	<ul style="list-style-type: none"> ▪ Najprej začnite kositi travo z nizko hitrostjo rezila in ne povečujte hitrosti rezila, dokler se ne začnejo rezila ustrezno vrteti.
	<ul style="list-style-type: none"> ▪ V izjemno hladnem vremenu se motor rezil morda ne bo zagnal uspešno zaradi nizke temperaturne zaščite. 	<ul style="list-style-type: none"> ▪ Traktor in akumulatorje vedno shranjujte v toplem prostoru. Ko se ogreje, znova zaženite traktor. V izjemno hladnem vremenu ne poskušajte kosilnice zagnati večkrat zapored, saj jo lahko tako poškodujete.
	<ul style="list-style-type: none"> ▪ Rezilo moti deformiran pokrov traktorja. 	<ul style="list-style-type: none"> ▪ Za popravilo pokličite center za pomoč strankam EGO.
	<ul style="list-style-type: none"> ▪ Vreča za travo ni pravilno nameščena. 	<ul style="list-style-type: none"> ▪ Vrečo za travo namestite pravilno, pri čemer upoštevajte razdelek "NAMESTITEV VREČE ZA TRAVO" v priročniku.
<p>Med košnjo trave rezila prenehajo delovati.</p>	<ul style="list-style-type: none"> ▪ Traktor je preobremenjen. 	<ul style="list-style-type: none"> ▪ Dvignite višino košnje ali upočasnite vožnjo, da zmanjšate obremenitev traktorja.
	<ul style="list-style-type: none"> ▪ Pokrov kosilnice je zamašen s travo in delci. 	<ul style="list-style-type: none"> ▪ Očistite pokrov kosilnice in se prepričajte, da se lahko rezila prosto premikajo.
	<ul style="list-style-type: none"> ▪ Traktor je pregret. 	<ul style="list-style-type: none"> ▪ Zmanjšajte obremenitev traktorja, tako da dvignete višino košnje ali upočasnite vrtenje rezil/hitrost vožnje ter omogočite traktorju, da se ohladi.
	<ul style="list-style-type: none"> ▪ Akumulatorski sklopi v predelu za akumulatorje v traktorju so pregreti, kar povzroči, da kombinirana zmogljivost Ah vseh vstavljenih akumulatorjev ni v skladu z zahtevo. 	<ol style="list-style-type: none"> 1. Traktor bo še naprej deloval, če bo zmogljivost kombiniranega akumulatorja brez pregretega akumulatorja v skladu z zahtevo. Ko bo pregret akumulator znova deloval z normalno temperaturo, se bo takoj pridružil napajanju traktorja. 2. Če kombinirana zmogljivost akumulatorjev ni v skladu z zahtevo, traktor ne bo deloval, dokler ne boste v prazne predele za akumulatorje vstavili več akumulatorskih sklopov. 3. Zmanjšajte obremenitev traktorja, tako da dvignete višino košnje ali upočasnite hitrost košnje pri nadaljnjem delu.
	<ul style="list-style-type: none"> ▪ Traktor je v načinu Limp-Home. 	<ul style="list-style-type: none"> ▪ Ko je traktor v načinu Limp-Home, rezila samodejno preklopijo v nizko hitrost vrtenja. Voznik mora prenehati delati in se čim prej vrniti v območje za polnjenje akumulatorja.
	<ul style="list-style-type: none"> ▪ Traktor je zadel ob tujek, kar je sprožilo samozaščito motorja. 	<ul style="list-style-type: none"> ▪ Potisnite stikalo PTO navzdol in nato navzgor, da ponovno zaženete motorje rezil.
	<ul style="list-style-type: none"> ▪ Traktor se premika vzvratno z ikono VZVRATNA KOŠNJA IZKLOPLJENA, osvetljeno na LCD-zaslonu. 	<ul style="list-style-type: none"> ▪ Pritisnite PTO stikalo navzdol in znova zaženite motorje rezila po navodilih v poglavju "Za aktiviranje (Enter) KOŠNJE V VZVRATNI SMERI".
<p>Zvočni indikator se še naprej oglašča.</p>	<ul style="list-style-type: none"> ▪ Traktor je v načinu Limp-Home in rezila niso izklopljena. 	<ul style="list-style-type: none"> ▪ Potisnite stikalo PTO navzdol, da izklopite motorje rezil. Zvočni indikator bo prenehal piskati, ko se bo rezilo izklopilo.
	<ul style="list-style-type: none"> ▪ Traktor se ne pobočju zaustavi in voznik ne sedi na sedežu ne da bi nastavil stopalko parkirne zavore v položaj za zaviranje. 	<ul style="list-style-type: none"> ▪ Pedal parkirne zavore nastavite v položaj parkirne zavore, preden zapustite traktor na pobočju.

TEŽAVA	VZROK	REŠITEV
Indikatorji moči na baterijah so še vedno osvetljeni, ko je traktor izklopljen.	<ul style="list-style-type: none"> Če izklopite traktor na ravnih tleh, ne da bi odstranili akumulatorske sklope iz traktorja, bodo indikatorji akumulatorja še nekaj časa svetili. 	<ul style="list-style-type: none"> Nobeno dejanje ni potrebno. Indikatorji akumulatorja se bodo po določenem času izklopili, ko se bo traktor ugasnil. Glejte poglavje "USTAVITEV TRAKTORJA" za določen čas.
	<ul style="list-style-type: none"> Ko je traktor izklopljen na pobočju, ne da bi nastavili parkirno zavoro, bodo indikatorji moči na baterijah ostali vklopljeni, dokler se baterija ne izprazni. Hkrati se bo ves čas oglašal tudi zvočni indikator. 	<ul style="list-style-type: none"> Pedal parkirne zavore nastavite v položaj parkirne zavore, preden traktor zapustite na pobočju. V nasprotnem primeru lahko traktor zdrsne navzdol po pobočju.
Zaslon LCD ni osvetljen z vsemi ikonami.	<ul style="list-style-type: none"> Gumba za zagon/zaustavitev niste pritisnili dovolj dolgo. 	<ol style="list-style-type: none"> Na zaslonu LCD bo prikazan „merilnik stanja goriva“ le, če boste gumb za zagon/zaustavitev pritisnili na hitro. LCD zaslon se bo vklopil po popolnem pritisku na pedal parkirne zavore in istočasnem pritiskanju gumba za zagon/ustavitev.
	<ul style="list-style-type: none"> Ko na LCD zaslonu utripa ikona varnostnega ključa "Ⓚ", varnostni ključ ni vstavljen. 	<ul style="list-style-type: none"> Vstavite varnostno tipko, nato popolnoma pritisnite pedal za parkirno zavoro in pritisnite gumb za zagon/zaustavitev dovolj časa hkrati, da vklopite LCD zaslon.
	<ul style="list-style-type: none"> Ko ikona parkirne zavore "(P)" utripa na LCD-zaslonu, pedal za parkiranje in zavore ni popolnoma pritisnjen. 	<ul style="list-style-type: none"> Vstavite varnostno tipko, nato popolnoma pritisnite pedal za parkirno zavoro in pritisnite gumb za zagon/zaustavitev dovolj časa hkrati, da vklopite LCD zaslon.
Traktor reže neenakomerno, razlika v višini spredaj in zadaj pa je zelo opazna.	<ul style="list-style-type: none"> Rezila so topa. 	<ul style="list-style-type: none"> Nabrusite ali zamenjajte rezila v skladu s temi navodili.
	<ul style="list-style-type: none"> Rezila so zvita. 	<ul style="list-style-type: none"> Zvita rezila zamenjajte v skladu z navodili v razdelku "Zamenjava rezil".
	<ul style="list-style-type: none"> Pokrov kosilnice ni izravnana, zato je trava porezana na različni višini. 	<ul style="list-style-type: none"> Pokrov kosilnice izravnajte v skladu z navodili v razdelku "Izravnava pokrova kosilnice".
Dejanska višina rezanja ni usklajena z nastavljenjo višino.	<ul style="list-style-type: none"> Matice pokrova kosilnice na spoju vzmetenja so zrahljane. 	<ul style="list-style-type: none"> Upoštevajte navodila v razdelku "Izravnava pokrova traktorja", da ustrezno prilagodite pokrov traktorja od spredaj nazaj ter trdno privijte matice na spoju vzmetenja.
	<ul style="list-style-type: none"> Pokrov kosilnice je poškodovan ali hudo obrabljen. 	<ul style="list-style-type: none"> Za zamenjavo pokrova kosilnice upoštevajte navodila v razdelku "Odstranitev pokrova traktorja".
Traktor ne mulči pravilno.	<ul style="list-style-type: none"> Drobci mokre trave so se nalepili na spodnjo stran pokrova. 	<ul style="list-style-type: none"> Pred košenjem počakajte, da se trava posuši.
	<ul style="list-style-type: none"> Traktor je nastavljen tako, da kosi preveč trave naenkrat. 	<ul style="list-style-type: none"> Dvignite višino košnje.
Prihaja do pretiranih vibracij.	<ul style="list-style-type: none"> Rezila so zrahljana. 	<ul style="list-style-type: none"> Zategnite sornik rezila s priporočenim navorom.
	<ul style="list-style-type: none"> Rezila so zvita. 	<ul style="list-style-type: none"> Zvita rezila zamenjajte v skladu z navodili v razdelku "Zamenjava rezil".
	<ul style="list-style-type: none"> Pokrov kosilnice ni izravnana. 	<ul style="list-style-type: none"> Pokrov traktorja izravnajte v skladu z navodili v razdelku "Izravnava pokrova traktorja".
	<ul style="list-style-type: none"> Matice pokrova kosilnice na spoju vzmetenja so zrahljane. 	<ul style="list-style-type: none"> Zategnite matice na spoju vzmetenja.
	<ul style="list-style-type: none"> Kosilnica je nastavljena tako, da kosi preveč trave naenkrat. 	<ul style="list-style-type: none"> Dvignite višino košnje.

TEŽAVA	VZROK	REŠITEV
Po košnji ostanejo na tleh trava ali ostanki.	<ul style="list-style-type: none"> ■ Kosilnica je nastavljena tako, da kosi preveč trave naenkrat, ko je trava visoka. 	<ul style="list-style-type: none"> ■ Začnite na visoki višini košnje in jo postopoma nižajte, dokler ne dosežete zelenega rezultata košnje. Travo, ki je višja od 152 mm, morate kositi dvakrat, pri čemer nastavite vedno nižjo višino.
	<ul style="list-style-type: none"> ■ Trava je mokra. 	<ul style="list-style-type: none"> ■ Ne kosite, ko je trava mokra. Počakajte, da se trava posuši.
	<ul style="list-style-type: none"> ■ Visoka hitrost vožnje. 	<ul style="list-style-type: none"> ■ Upočasnite hitrost vožnje.
	<ul style="list-style-type: none"> ■ Počasna hitrost rezila. 	<ul style="list-style-type: none"> ■ Hitrost rezil povečujte postopoma.
Kratek čas delovanja traktorja s priloženimi akumulatorji.	<ul style="list-style-type: none"> ■ Travnat teren, stanje trave, nastavitve višine košnje, hitrost vožnje, hitrost rezila itd. bodo močno vplivali na čas delovanja. 	<ul style="list-style-type: none"> ■ Dvignite višino košnje in upočasnite hitrost rezila, da zmanjšate obremenitev kosilnice.
Traktor ne sledi v ravni liniji.	<ul style="list-style-type: none"> ■ Tlak v pnevmatikah za levo in desno zadnjo pnevmatiko je različen. 	<ul style="list-style-type: none"> ■ Preverite in prilagodite zračni tlak v obeh zadnjih kolesih v skladu s priporočili v razdelku "TEHNIČNI PODATKI" v tem priročniku.
Stopalke parkirne zavore ni mogoče sprostiti iz zavornega položaja ali pa skoči nazaj prepočasi.	<ul style="list-style-type: none"> ■ Pot pedala za plin je zamašena z drobci. 	<ul style="list-style-type: none"> ■ Preverite, ali so v njej ostanki, in jih odstranite.
Traktorja ni mogoče polniti prek polnilnih vrat in indikator stanja traktorja sveti neprekinjeno rdeče.	<ul style="list-style-type: none"> ■ Vtič polnilnika ni pravilno priključen v polnilna vrata na kosilnici. 	<ul style="list-style-type: none"> ■ Znova priključite vtič polnilnika in preverite, ali lahko traktor normalno polnite.
	<ul style="list-style-type: none"> ■ V stenski vtičnici ni električnega toka. 	<ul style="list-style-type: none"> ■ Nobeno dejanje ni potrebno. Počakajte, da se napajanje obnovi.
	<ul style="list-style-type: none"> ■ Polnilnik je okvarjen. 	<ul style="list-style-type: none"> ■ Obrnite se na center za pomoč strankam EGO in usposobljen servisni tehnik pa naj pregleda polnilnik in/ali ga po potrebi popravi.
	<ul style="list-style-type: none"> ■ Vrata polnilnika na traktorju so okvarjena. 	<ul style="list-style-type: none"> ■ Za popravilo pokličite center za pomoč strankam EGO.
Čas polnjenja prek polnilnih vrat traktorja je predolg.	<ul style="list-style-type: none"> ■ Pri uporabi adapterja EGO ACA1000 traja polnjenje dolgo časa. 	<ul style="list-style-type: none"> ■ Uporabite EGO polnilnik CHV1600E za neposredno polnjenje električnega traktorja.
Baterije ni mogoče popolnoma napolniti prek polnilnih vrat traktorja.	<ul style="list-style-type: none"> ■ Napaka strojne programske opreme traktorja ali akumulatorja ali okvara polnilnika. 	<ul style="list-style-type: none"> ■ Polnilnik ponastavite tako, da ga odklopite in počakate nekaj minut. Nato vtič ponovno priključite v vir napajanja. Če to ne pomaga, se obrnite na servisni center družbe EGO.
Po čiščenju traktorja ni mogoče zagnati.	<ul style="list-style-type: none"> ■ Nepravilno čiščenje, pri katerem je na primer voda zalila električne komponente, zaslon LCD itd. 	<ol style="list-style-type: none"> 1. Za pravilno čiščenje traktorja upoštevajte navodila v razdelku "SPLOŠNO VZDRŽEVANJE" 2. Če ste traktor po nesreči pustili na dežju, počakajte, da se posuši na zraku, ali pa ga posušite s stisnjenim zrakom.
Pokrov kosilnice se hitro zamaši.	<ul style="list-style-type: none"> ■ Kosilnica po prejšnji uporabi ni bila pravilno očiščena. 	<ul style="list-style-type: none"> ■ Po vsaki uporabi očistite pokrov traktorja po navodilih v razdelku "Uporaba vodnega priklopa za čiščenje pokrova traktorja".
Traktor takoj izgubi oprijem pri vožnji po hribu navzgor.	<ul style="list-style-type: none"> ■ Pnevmatike zadnjih koles so obrabljene. 	<ul style="list-style-type: none"> ■ Za zamenjavo kolesnih pnevmatik se obrnite na lokalni servis.
	<ul style="list-style-type: none"> ■ Košnja na strmem pobočju. 	<ul style="list-style-type: none"> ■ Traktorja se ne sme uporabljati za košnjo pobočij, ki so bolj strme od zahtevanih stopinj.
Ko se traktor zaustavi na pobočju, stopalka zavornega pedala pa je pritisnjena, lahko traktor zdrsne navzdol po pobočju.	<ul style="list-style-type: none"> ■ Komponente zavore so prekomerno obrabljene zaradi nepravilne uporabe traktorja. 	<ul style="list-style-type: none"> ■ Za popravilo pokličite center za pomoč strankam EGO.

TEŽAVA	VZROK	REŠITEV
Med čiščenje pokrova iz vodnega priklopa ne izteka nič vode.	<ul style="list-style-type: none"> ▪ Hitra spojka za vodni priklop ni pravilno nameščena na mesto za vodni priklop. 	<ul style="list-style-type: none"> ▪ Znova namestite hitro spojko za vodni priklop, dokler po močnem potisku ne zaslišite jasnega klika. Če to ne deluje, pokličite servisni center družbe EGO.
Pri ročnem potiskanju traktorja brez zagona se sliši neobičajen zvok.	<ul style="list-style-type: none"> ▪ Hrup povzročajo magneti v pogonskem motorju. 	<ul style="list-style-type: none"> ▪ To je običajno in nobeno dejanje ni potrebno.
Volana ni mogoče vrteti.	<ul style="list-style-type: none"> ▪ Volanski sklop je zamašen z ostanki. 	<ul style="list-style-type: none"> ▪ Preverite, ali so v njej ostanki, in jih odstranite.
Traktor se ne obrača levo/desno, ko se volan vrti.	<ul style="list-style-type: none"> ▪ Okvara elektronskih ali mehanskih komponent. 	<ul style="list-style-type: none"> ▪ Za popravilo pokličite center za pomoč strankam EGO.
Ko spustite pedal za plin, se traktor ne ustavi.	<ul style="list-style-type: none"> ▪ Povratna pot pedala za plin je zamašena z ostanki. 	<ul style="list-style-type: none"> ▪ Preverite, ali so v njej ostanki, in jih odstranite.
	<ul style="list-style-type: none"> ▪ Gumb CCS je bil med vožnjo nenamerno pritisnjen. Traktor je v načinu tempomata 	<ul style="list-style-type: none"> ▪ Preverite, ali je ikona CCS osvetljena na LCD zaslonu, in po potrebi zaprite CCS. Glejte poglavje "UPORABA TEMPOMATA (CCS)"
Funkcije CCS ni mogoče aktivirati ali izklopiti.	<ul style="list-style-type: none"> ▪ Gumb CCS ni pravilno pritisnjen. 	<ul style="list-style-type: none"> ▪ Pritisnite gumb CCS, dokler ikona CCS ne zasveti na LCD-zaslonu ali izgine z LCD-zaslona.
Prednja kolesa traktorja se vrtijo z nenormalnim zvokom	<ul style="list-style-type: none"> ▪ Podmažite ovoje gredi sprednjih koles. 	<ul style="list-style-type: none"> ▪ Odstranite akumulatorje in nato napolnite odprtine za vbrizgavanje z maščobo, dokler mast ne prelije zgornjega roba ali spodnjega roba rokavov gredi sprednjih koles.

NAVEDBA STANJA TRAKTORJA

Zaslon LCD	Opis	Kazalnik stanja traktorja	Zvočni indikator	Vzrok	Rešitev
	Ikona merilnika goriva	NE SVETI	Ne	Označuje povprečno zmogljivost polnjenja vstavljenih akumulatorjev.	To je običajno delovanje. Nobeno dejanje ni potrebno.
	Ikona merilnika ure	NE SVETI	Ne	Prikazuje skupni čas vožnje traktorja v urah in ga ni mogoče ponastaviti.	To je običajno delovanje. Nobeno dejanje ni potrebno.
	Ikona indikatorja obremenitve	NE SVETI	Ne	Označuje trenutno obremenitev traktorja.	To je običajno delovanje. Nobeno dejanje ni potrebno.
	Ikona LED luči sveti na LCD zaslonu.	NE SVETI	Ne	Žarometi se vklopijo prek stikala za LED-luči.	To je običajno delovanje. Nobeno dejanje ni potrebno.
	Ikona Bluetooth sveti na LCD zaslonu	NE SVETI	Ne	Traktor je prek povezave Bluetooth povezan z mobilno napravo.	To je običajno delovanje. Nobeno dejanje ni potrebno.
	KOŠNJA V VZVRATNI SMERI IZKLOPLJENA Ikona sveti na LCD zaslonu.	NE SVETI	Ne	Označuje, da lopatic ni mogoče vklopiti, ko se traktor premika vzvratno.	To je običajno delovanje. Po potrebi vklopite rezila med vožnjo v vzvratni smeri po poglavju "VKLOP REZILA IN VOŽNJO V VZVRATNI SMERI" v priročniku.
	Ikona pogona sveti na LCD zaslonu.	NE SVETI	Ne	Označuje, da se traktor lahko vozi ali se vozi naprej.	To je običajno delovanje. Postavite ročico za krmiljenje smeri v položaj "D", nevtralen ali "R" glede na potrebe.
	Na LCD-zaslonu se prikaže ikona za vzvratno smer.	NE SVETI	Ne	Označuje, da se traktor lahko ali se vozi vzvratno.	
	Ikona pogona in vzvratna ikona utripata izmenično	NE SVETI	Ne	To pomeni, da traktorja ni bilo mogoče voziti.	
	Ikona varnostnega ključa sveti	NE SVETI	Ne	Varnostni ključ je pravilno vstavljen.	To je običajno delovanje. Nobeno dejanje ni potrebno.
	Ikona varnostnega ključa utripa, ko LCD zaslon prikaže "merilnik stanja goriva".	NE SVETI	Ne	Varnostni ključ ni vstavljen.	Vstavite varnostni ključ, nato pa v celoti pritisnite pedal za parkirno zavoro in hkrati pritisnite gumb START/STOP več kot 3 sekunde, da vklopite traktor.
				Sklop škatle nadzorne plošče ključa je pokvarjen.	Za popravilo pokličite center za pomoč strankam EGO.

SL

Zaslon LCD	Opis	Kazalnik stanja traktorja	Zvočni indikator	Vzrok	Rešitev
	Ikona parkirne zavore utripa, ko LCD zaslon prikaže "merilnik stanja goriva".	NE SVETI	Ne	Pedal za parkirno zavoro ni pritisnjen.	Vstavite varnostni ključ, popolnoma pritisnite pedal za parkirno zavoro in hkrati pritisnite gumb START/STOP več kot 3 sekunde, da vklopite traktor.
	Ikona parkirne zavore utripa, ko LCD zaslon prikaže vmesnik upravljavca.	NE SVETI	Ne	Pritisnite pedal za plin, preden pritisnete pedal parkirne zavore, da bo indikator traktorja zasijal zeleno.	Traktor pravilno zaženite po poglavju »ZAGON TRAKTORJA«.
	Ikona parkirne zavore sveti	NE SVETI	Ne	Pedal za parkirno zavoro je nastavljen v položaj parkirne zavore.	Pred zagonom traktorja ga sprostite.
	Ikona senzorja sedeža sveti	NE SVETI	Ne	Upravljevec zapusti sedež ali pa je varnostni zaklepni sistem sedeža odklopljen.	Če je ikona vklopljena, ko voznik sedi na sedežu, takoj prenehajte upravljati traktor in preverite priključek sedeža. Če ste se prepričali, da je sedež ustrezno priključen, se za popravilo obrnite na kvalificiranega serviserja.
	Ikona stikala PTO utripa.	NE SVETI	Ne	Delovanje motorja rezila je bilo prekinjeno in stikalo PTO ni nastavljeno na položaj za izklop.	Pred ponovnim zagonom potisnite stikalo PTO navzdol, da izklopite motorje rezil. Za sklice si oglejte razdelek "ODPRAVLJANJE TEŽAV" v tem priročniku.
	Ikona določenega predela za akumulatorje utripa.	NE SVETI	Ne	Določen predel za akumulatorje je med praznjenjem prenapet.	Nobeno dejanje ni potrebno. Traktor lahko nadaljuje z delom, če je skupna nazivna vrednost akumulatorja v Ah, brez prenapetostnega akumulatorja, enaka ali večja od 15 Ah. Ko se prenapetosten akumulator povrne v normalno stanje, se takoj vključi v napajanje kosilnice in ikona bo izginila.
	Ikona za predel praznega akumulatorja utripa.	NE SVETI	Ne	Zmogljivost akumulatorja ni zadostna, da bi traktor lahko deloval.	Za zagon tega traktorja uporabite dovolj EGO baterij po navodilih v poglavju "PRIKLJUČITEV/ODKLOP BATERIJSKEGA SKLOPA" v tem priročniku.
	Ikona temperature in ikona določenega predelka zasedenega akumulatorja utripata hkrati.	NE SVETI	Ne	Akumulatorski sklop v ustrezno oštevilčenem predelku za akumulator je pregret.	<ol style="list-style-type: none"> Traktor bo še naprej deloval, če bo zmogljivost kombiniranega akumulatorja brez pregretega akumulatorja v skladu z zahtevo. Ko bo pregret akumulator znova deloval z normalno temperaturo, se bo takoj pridružil napajanju traktorja. Če kombinirana zmogljivost akumulatorjev ni v skladu z zahtevo, traktor ne bo deloval, dokler ne boste v prazne predele za akumulatorje vstavili več akumulatorskih sklopov. Zmanjšajte obremenitev traktorja, tako da dvignete višino košnje ali upočasnite hitrost košnje pri nadaljnjem delu.

Zaslon LCD	Opis	Kazalnik stanja traktorja	Zvočni indikator	Vzrok	Rešitev
	Ikona temperature utripa.	NE SVETI	En pisk	Traktor je pregret.	Zmanjšajte obremenitev traktorja, tako da dvignete višino košnje ali upočasnite vrtenje rezil/hitrost vožnje. Naredite odmor in pustite, da se traktor ohladi.
				Traktor je prehladen.	Ne poskušajte večkrat, saj lahko poškodujete stroj. Traktor in akumulatorje vedno shranjujte v toplom prostoru. Ko se ogreje, znova zaženite traktor.
	Ikona opozorila utripa	Utripa rdeče	En pisk	Motor rezila je preobremenjen.	Dvignite višino košnje ali upočasnite vožnjo, da zmanjšate obremenitev kosilnice.
				Stranski deflektor za izmet je zamašen s travo in ostanki.	Očistite stranski deflektor za izmet po vsaki uporabi.
				Obstaja motnja med rezilom in pokrovom traktorja.	Obrnite se na servisni center družbe EGO.
 	Ikone vsakega zasedenega prostora za baterije in opozorilne ikone utripajo vsako 1 sekundo hkrati na LCD zaslonu.	Utripa rdeče	Piska, dokler ne pritisnete stikala PTO navzdol.	Akumulatorski sklopi niso dovolj napolnjeni in traktor je v načinu Limp-Home.	Prenehajte delati in se vrnite v območje za polnjenje akumulatorja. OPOMBA: Ko je traktor v načinu Limp-Home, rezila samodejno preklopijo v nizko hitrost vrtenja, medtem ko bo zvočni indikator še naprej utripal. Voznik mora pritisniti stikalo PTO navzdol, da sprostijo rezila iz pokrova. Zvočni indikator bo prenehal piskati, ko se rezila ustavijo.
 	Ikona vsakega zasedenega prostora za baterije in opozorilna ikona utripata vsake pol sekunde.	Utripa rdeče	Neprekinjeno piska	Delovanje motorja rezila je bilo prekinjeno in stikalo PTO ni nastavljeno na položaj za izklop.	Traktor bo takoj prenehal delovati. Voznik mora odpeljati traktor v območje za polnjenje akumulatorja, da se napolni.
	Ikona CCS sveti na LCD zaslonu	Sveti zeleno	Ne	Traktor nadaljuje naprej z nastavljenimi hitrostjo, ne da bi morali stopiti na stopalko za plin.	To je običajno delovanje. Če je potrebno, izklopite funkcijo CCS po razdelku "Za zaustavitev (izhod) tempomata (CCS)" v priročniku.
	Ikona CCS utripa na LCD zaslonu.	NE SVETI	Ne	Funkcija CCS (sistem tempomata) je odpovedala. Pedal za parkirno zavoro je pritisnjen, da upočasnijo hitrost vožnje.	Funkcije CCS ni bilo mogoče nastaviti, ko traktor vozi z zelo nizko hitrostjo ali vozi vzvratno. Ko sprostite pedal za parkirno zavoro, pritisnite gumb CCS in ikona CCS se bo zasvetila na LCD-ju ali zapustite funkcijo CCS po navodilih v razdelku "Zaustavitev (izhod) tempomata (CCS)".

Zaslon LCD	Opis	Kazalnik stanja traktorja	Zvočni indikator	Vzrok	Rešitev
	Na LCD zaslonu ne sveti nobena ikona za vrečo	N/V	Ne	Označuje, da vreča za travo ni nameščena na traktor ali ni pravilno nameščena.	Pravilno namestite vrečko za travo na traktor.
	Na zaslonu LCD utripa ikona za polno vrečo	N/V	Ne	Označuje, da je vreča za travo polna.	Izpraznite vrečo za travo in jo ponovno pravilno namestite.
N/V	N/V	NE SVETI	Neprekinjeno piska	Traktor je parkiran na pobočju in upravljaevc zapusti traktor, ne da bi nastavil stopalko za parkiranje v položaj parkirne zavore.	Pedal parkirne zavore nastavite na položaj parkirne zavore. Ikona parkirne zavore bo zasvetila in zvočni indikator bo prenehal piskati.
NE SVETI	Napaka na polnilnih vratih	Sveti rdeče	N/V	Ni napajanja.	Preverite, ali je napajanje na stenski vtičnici med 220 V in 240 V oziroma če je vtičnica v ustreznem stanju.
		Sveti rdeče	N/V	Elektronske okvare, kot so odprta vrata za polnjenje, pregorela varovalka itd.	Za popravilo pokličite center za pomoč strankam EGO.

REFERENCA KODE NAPAKE

Opis	Koda napake na zaslonu LCD	Zvočni indikator	Rešitev
Levi motor rezila se ne vrti.	509	En pisk	Najprej preglejte rezilo. Če je zrahljan, privijte vijak s priporočenim navorom. V nasprotnem primeru za popravilo pokličite center za pomoč strankam EGO.
Desni motor rezila se ne vrti.	609	En pisk	

OPOMBA: Če se na zaslonu LCD pojavijo kakršnekoli druge kode napak, ki lahko kažejo na okvaro PCBA, zrahljano napeljavo, okvaro pogonskega motorja, motorjev rezil itd., odstranite vse baterijske sklope in jih čez nekaj minut ponovno vstavite, da traktor znova zaženete. Če na ta način ni mogoče odpraviti težave, zabeležite kodo napake in se za popravilo obrnite na servisni center družbe EGO.

GARANCIJA

GARANCIJSKA POLITIKA DRUŽBE EGO

Za popolne pogoje garancijske politike družbe EGO obiščite spletno mesto egopowerplus.eu.

PERSKAITYKITE VISAS INSTRUKCIJAS!



SKAITYTI NAUDOJIMO INSTRUKCIJĄ

SAUGOS SIMBOLIAI

Saugos simbolių paskirtis – atkreipti dėmesį į galimus pavojus. Gerai susipažinkite su saugos simboliais bei jų paaiškinimais ir juos įsidėmėkite. Simbolių išpėjimai patys savaime negali apsaugoti nuo pavojų. Jais žymimi nurodymai ir išpėjimai neatstoja tinkamų nelaimingų atsitikimų prevencijos priemonių.

⚠️ IŠPĖJIMAS. Prieš pradėdami naudoti šį įrenginį, perskaitykite visus šioje naudojimo instrukcijoje pateiktus saugos nurodymus, taip pat susipažinkite su visais saugos išpėjimaisiais simboliais, tokiais kaip „PAVOJUS“, „IŠPĖJIMAS“ ir „DĖMESIO“, ir įsitikinkite, ar juos supratote. Nesilaikant visų toliau išdėstytų nurodymų galima patirti elektros smūgį, sukelti gaisrą ir (ar) sunkiai susižaloti.

SIMBOLIŲ REIKŠMĖ

Šiame puslapyje pavaizduoti ir aprašyti saugos simboliai, kurie gali būti nurodyti ant šio gaminio. Prieš bandydami surinkti ir naudoti įrankį, perskaitykite visus ant jo pateiktus nurodymus, įsitikinkite, ar juos supratote, ir jais vadovaukitės.

SAUGOS SIMBOLIAI

	Išpėjimas dėl saugos		Perskaityti ir suprasti naudojimo instrukciją
	Užsidėti apsauginius akinius		Pržiūrėti apsauginius įtaisus
	PAVOJUS – staus šlaito pavojus		PAVOJUS – neleisti pašalinių asmenų prie peilių
	Niekada nevežti vaikų		Žiūrėti atgal važiuojant atbuline eiga
	IŠPĖJIMAS – nenaudoti šio įrenginio statesniuose nei 12° šlaituose		PAVOJUS – išsviestos šiukšlės
	IŠPĖJIMAS – SAUGOTI RANKAS IR KOJAS		Garantuojamas garso galios lygis. Pagal Europos Bendrijos direktyvą.
	Nelipti		Netinkamus naudoti elektrinius įrankius draudžiama išmesti kartu su buitinėmis atliekomis. Pristatyti įgaliojamam perdirbėjui.
	Šis gaminys atitinka jam taikomas EB direktyvas		DĖMESIO – įdėmiai nežiūrėkite į šviečiantį žibintą.
	Nuolatinė srovė		Šis gaminys atitinka taikomas JK direktyvas.

LT

kPa	Kilopaskaliai	RPM	Sūčiai per minutę
V	Voltai	m	Metrai
in	Coliai	cm	Centimetrai
Nm	Niutonmetrai	mm	Milimetrai
°C	Celsijaus laipsniai	kg	Kilogramai
km/h	Kilometrai per valandą	IPX4	Apsaugos klasė

ŠIAME VADOVE NAUDOJAMI SIMBOLIAI



[Šią informaciją reikia atkreipti dėmesį]



Nurodytas veiksmas sustabdo

TECHNINIAI DUOMENYS

Įtampa	56 V	
Pjovimo platformos dydis	98 cm	
Ratų dydis	Priekis	15 x 6 – 6 col.
	Galas	18 x 7,5 – 8 col.
Slėgis šaltose padangose	Priekis	96,5 kPa
	Galas	170 kPa
Peilių sukimosi greitis (sūk./min.)	Iki 3000	
Didžiausias važiavimo greitis	Į priekį	iki 9,6 km/val.
	Atgal	iki 4,8 km/val.
Pjovimo aukščio reguliavimas (12 padėčių)	25 – 100 mm	
Įkrovimo temperatūra	5 °C iki 40 °C	
Darbinė temperatūra	0 – 40 °C	
Laikymo temperatūra	-20 iki 70 °C	
Svoris (be sudėtinės baterijos)	220 kg	
Išmatuotas garso galios lygis L_{WA}	97,7 dB(A) K=1,75 dB(A)	
Garso slėgio lygis ties operatoriaus ausimi L_{PA}	83,6 dB(A) K=3 dB(A)	
Garantuojamas garso galios lygis L_{WA} (išmatuotas pagal 2000/14/EB)	100 dB(A)	
Vibracija a_h	Rankų	0,24 m/s ² K=1,5 m/s ²
	Kūno	0,18 m/s ² K=1,5 m/s ²

- Nurodyta bendroji vibracijos vertė išmatuota taikant standartinį bandymo metodą, todėl pagal ją galima palyginti skirtingus įrankius.
- Nurodytą bendrąją vibracijos vertę taip pat galima naudoti pirminiam poveikio vertinimui.

PASTABA. Naudojant elektrinį įrenginį realiomis sąlygomis, skleidžiamos vibracijos stiprumo vertė gali skirtis nuo nurodytos. Kad apsisaugotų dirbdamas realiomis sąlygomis, naudotojas turi mūvėti pirštines ir naudoti klausos apsaugos priemones.

REKOMENDUOJAMI PRIEDAI

⚠ ĮSPĖJIMAS. Naudokite tik toliau išvardytus priedus. Naudojant priedus, kurie neatitinka originalios įrangos specifikacijų, įrenginys gali netinkamai veikti ir kelti pavojų.

DALIES PAVADINIMAS	MODELIO NUMERIS
Surinkimo peilių rinkinys	AB3801TD
Mulčiavimo įdėklas	AMP3800T

APRAŠYMAS

TRAKTORIUKO DALYS (A1 Pav.)

- Sėdynė
- Puodelių laikikliai
- Galinis ratas (varantysis ratas) (2 vnt.)
- Plovimo jungtis (2 vnt.)
- Platforma
- Apsaugos nuo skutimo ratukas (2 vnt.)
- Priekinis ratas (2 vnt.)
- Priekinis buferis
- Stovėjimo stabdžio pedalas
- LED darbinis žibintas (2 vnt.)
- Maitinimo blokas
- Dėtuvė
- Stovėjimo stabdžių užrakto svirtis
- Vairas
- Sėdynės padėties reguliavimo svirtis

16. Žolės krepšys
17. Įkrovimo jungtis
18. USB lizdas
19. Daiktadėžė
20. Akceleratoriaus pedalas
21. Pjovimo platformos aukščio reguliavimo svirtis
22. Pakreipimo svirtis
23. Rankena
24. Traktoriuko būsenos indikatorius
25. Peilių sukimosi greičio reguliavimo mygtukas
26. PJOVIMO ATBULINE EIGA mygtukas
27. Paleidimo ir sustabdymo mygtukas
28. Krypties valdymo svirtis
29. Saugos raktelis
30. PTO jungiklis
31. CCS mygtukas
32. LED apšvietimo mygtukas/ „Bluetooth“ mygtukas
33. Važiavimo greičio reguliavimo mygtukai
34. Maitinimo bloko dangčio atkabavimo mygtukas
35. Maitinimo bloko dangtis
36. Maitinimo blokas su šešiais baterijų skyriais
37. Baterijos atjungimo mygtukas

LCD EKRANO DALYS (A2 Pav.)

Daugiau informacijos apie LCD ekrane matomas piktogramas ir indikatorius rasite skyriuose „TRAKTORIUKO BŪSENOS INDIKATORIUS“ ir „KLAIDOS KODO INDIKATORIUS“.

1. CCS piktograma
2. Saugos įrenginio būsenos indikatorius
3. IŠJUNGTO PJOVIMO ATBULINE EIGA piktograma
4. Važiavimo piktograma
5. Atbulinės eigos piktograma
6. Saugos raktelio piktograma
7. LED žibintų piktograma
8. „Bluetooth“ piktograma
9. Peilio sukimosi greičio indikatorius
10. Valandų skaitiklis
11. Įkrovos indikatorius
12. Temperatūros piktograma
13. Įspėjimo piktograma (perkrova / maža galia)
14. Tuščio baterijos skyriaus piktograma
15. Užimto baterijos skyriaus piktograma
16. Gedimo kodo indikatorius
17. Apkrovos indikatorius
18. Važiavimo greičio indikatorius
19. Pilno žolės krepšio piktograma
20. Piktograma, nurodanti, kad nėra žolės krepšio

IŠPAKAVIMAS

PASTABA. Neišmeskite pakuotės, kol atidžiai nepatikrinote ir neišbandėte gaminio. Jeigu kokių nors dalių iš pakuotės turinio sąrašo trūksta, nedelsdami kreipkitės į EGO klientų aptarnavimo centrą.

PASTABA. Išskyrus toliau pakuotės turinio sąrašė išvardytus įrankius, jokių kitokių vadovuose minimų įrankių nėra, nes jie tik rekomenduojami.

PAKUOTĖS TURINIO SĄRAŠAS (B Pav.)

B-1	Elektrinis vejos traktoriukas	B-2	Sėdynė
B-3	Vairas	B-4	Apsaugos nuo dulkių dangtelis
B-5	Plokštieji veržliarakčiai	B-6	18 mm lizdinis veržliaraktis
B-7	Varžtai su šešiakampėmis galvutėmis (1 atsarginis)	B-8	M8 veržlės (1 atsarginė)
B-9	M12 veržlės (1 atsarginė)	B-10	Poveržlės (1 atsarginė)
B-11	Saugos raktelis	B-12	Plovimo jungties greitojo sujungimo mova
B-13	Operatoriaus vadovas	B-14	Žolės krepšys (su dviem varžtų ir veržlių komplektais šoniniams laikikliams)
B-15	U formos laikiklis	B-16	Šoninis laikiklis
B-17	Pakreipimo svirtis	B-18	Kairysis ir dešinysis žolės krepšio atraminiai laikikliai
B-19	Skersinis strypas	B-20	M8 X 40 varžtas
B-21	M8 X 25 varžtas	B-22	M8 veržlė

SURINKIMAS

LT

VAIRO TVIRTINIMAS (C1 Pav.)

C1-1	Vairo kolonėlė	C1-2	Vairas
C1-3	Centrinė linija	C1-4	Poveržlė
C1-5	Veržlė	C1-6	18 mm lizdinis veržliaraktis
C1-7	Nuo dulkių apsaugantis dangtelis		

SĖDYNĖS TVIRTINIMAS (C2 Pav.)

⚠ ĮSPĖJIMAS. Draudžiama atjungti ar apeiti apsauginę blokavimo sistemą. Priešingu atveju traktoriukas gali veikti nenuspėjamai ir galite susižaloti.

C2-1	Sėdynė	C2-2	Veržlė (M8)
C2-3	Varžtas su šešiakampe galvute	C2-4	Antgalis
C2-5	Kištukas		

ŽOLĖS KREPŠIO TVIRTINIMAS (C3 – C8 Pav.)

C3-1	U formos laikiklis	C3-2	Krepšys
C3-2	4 varžtų ir veržlių komplektai (M8 X 40)	C3-4	Plokščiasis veržliaraktis
C4-1	Šoniniai laikikliai	C4-2	4 varžtų ir veržlių komplektai (M8 X 40)
C4-3	Plokščiasis veržliaraktis	C5-1	Pakreipimo svirtis
C5-2	1 varžto ir veržlės komplektai (M8 X 40)	C5-3	Plokščiasis veržliaraktis
C6-1	Atraminiai krepšio laikikliai	C6-2	4 varžtų ir veržlių komplektai (M8 X 25)
C6-3	Plokštieji veržliarakčiai	C7-1	Skersinis strypas
C7-2	2 veržlės (M8)	C7-3	Plokščiasis veržliaraktis

REGULIAVIMAS

PRIEŠ REGULIAVIMĄ (D1 Pav.)

PJOVIMO PLATFORMOS AUKŠČIO REGULIAVIMAS (D2 Pav.)

APSAUGOS NUO SKUTIMO RATUKŲ REGULIAVIMAS (D3 – D6 Pav.)

D3-1	Apsaugos nuo skutimo ratukai	D5-1	Veržlė
D5-2	Varžtas su kamuota galvute	D6-1	Pjovimo platformos aukščio etiketė

SĖDYNĖS REGULIAVIMAS (D7 Pav.)

D7-1	Sėdynės padėties reguliavimo svirtis
------	--------------------------------------

DARBAS

PRIEŠ NAUDOJIMĄ (E1 Pav.)

STOVĖJIMO STABDŽIO NUSTATYMAS (E2 Pav.)

E2-1	Stovėjimo stabdžio padėtis	E2-2	Stabdžio atjungimo padėtis
------	----------------------------	------	----------------------------

⚠️ ĮSPĖJIMAS. STOVĖJIMO STABDŽIO PEDALU NELĖTINAMAS VAŽIAVIMO GREITIS. NEBANDYKITE SPAUSTI STOVĖJIMO STABDŽIO PEDALO NORĖDAMI SULĖTINTI VAIRAVIMO GREITĮ. KAI STOVĖJIMO STABDŽIO PEDALAS NUSPAUSTAS, BET NEVEIKIA STOVĖJIMO STABDŽIO PADĖTYJE, ELEKTRINIS STABDYS NEBEVEIKIA IR TRAKTORIUKAS NUSTOS VAŽIUOTI ANT LYGAUS PAVIRŠIAUS. JEI TAIP NUTIKTŲ ŠLAITE, ATLEIDUS STOVĖJIMO STABDŽIO PEDALĄ TRAKTORIUKAS GALI NUSLYSTI ŽEMYN.

⚠️ ĮSPĖJIMAS. ĮVYKUS BET KOKIAI AVARINEI SITUACIJAI, PATRAUKITE STOVĖJIMO STABDŽIO UŽRAKTO SVIRTĮ IR NEDELSDAMI NUSPAUSKITE STOVĖJIMO STABDŽIO PEDALĄ, KAD ĮJUNGTUMĖTE STOVĖJIMO STABDŽIO PADĖTĮ, TRAKTORIUKAS NEDELSDAMAS SUSTOS IR NESLYS ŠLAITU ŽEMYN.

SUDĖTINĖS BATERIJOS ĮSTATYMAS IR IŠĖMIMAS (E3 – E6 Pav.)

Šiam traktoriukui paleisti reikia 15 Ah (2 X BA4200 / BA4200T) arba didesnės bendros talpos EGO baterijų. Kad traktoriukas geriau veiktų, rekomenduojame naudoti ne mažesnės kaip 30 Ah talpos EGO baterijų komplektą.

E3-1	Dangčio atkabinimo mygtukas	E5-1	Baterijos atjungimo mygtukas
------	-----------------------------	------	------------------------------

TRAKTORIUKO ĮKROVIMAS

Naudokite tik rekomenduojamas sudėtines baterijas ir įkroviklius

- Sudėtinę bateriją (-as) įkraukite atskirai (E7 pav.)
PASTABA. Išsamios instrukcijos pateikiamos atitinkamuose baterijos ir įkroviklio vadovuose.
- Sudėtinės baterijos (-ų) įkrovimas per įkrovimo jungtį (E8 – E10 pav.)

E10-1	Apsaugos nuo dulkių dangtelis	E10-2	Įkrovimo jungtis
-------	-------------------------------	-------	------------------

APSAUGINĖS BLOKAVIMO SISTEMOS IŠBANDYMAS

- Pjovimo platformos peilių sistemos išbandymas (E11 – E12 pav.)
- Vairavimo sistemos išbandymas (E13 – E14 pav.)

Jeigu vairuotojui pakilus nuo sėdynės pjovimo platformos peilių ir (ar) vairavimo sistemos neišsijungia, ir jei negalima nustatyti priežasties (patikrinus kištuko ir lizdo jungties patikimumą), nedelsdami kreipkitės į savo EGO klientų aptarnavimo centrą.

RYŠIO TECHNOLOGIJA

Norėdami gauti informacijos apie visus mūsų prijungtinius gaminius ir paslaugas, įskaitant prijungimo instrukcijas, nuskaitykite toliau pateiktą QR kodą arba apsilankykite svetainėje www.egopowerplus.eu/connect.



KONTROLINIS SĄRAŠAS PRIEŠ NAUDOJIMĄ

- Darbo zonoje neturi būti vaikų, pašalinių asmenų ir naminių gyvūnų.
- Išvalykite darbo zoną nuo šiukšlių, kurias gali išsviesti traktoriuko peiliai.
- Nuvalykite nuo traktoriuko šiukšles.
- Patikrinkite, ar nėra atsilaisvinusių tvirtinimo detalių.
- Patikrinkite, ar visos apsaugos yra savo vietose ir tinkamai veikia.
- Apžiūrėkite padangas, ar jose netrūksta oro.
- Patikrinkite stabdžio veikimą.

- Nustatykite pjovimo platformos aukštį į pageidaujamą padėtį, kuri geriausiai tinka pjaunamai vejai, ir atitinkamai sureguliuokite apsaugos nuo skutimo ratukus.
- Susireguliuokite sėdynės padėtį ir patikrinkite, ar galima pasiekti abu pedalus.
- Patikrinkite baterijos įkrovos lygį.
- Patikrinkite apsauginę blokavimo sistemą.
- Įsitikinkite, kad žolės krepšys yra tinkamai sumontuotas.

TRAKTORIUKO PALEIDIMAS (E15 – E16 Pav.)

▲ ĮSPĖJIMAS. Venkite staigių pajudėjimų iš vietos, stabdymų, posūkių ir didelio greičio, ypač mokydami valdyti traktoriuką pirmąjį kartą. Traktoriukas gali greitai sukintis aplink. Tuomet galite jo nesuvaldyti ir sunkiai susižaloti ir (arba) sugadinti turta.

▲ ĮSPĖJIMAS. Prieš užvesdami traktoriuką patikrinkite ir įsitikinkite, kad peiliai atsijungia per 5 sek. nuspaudus žemyn PTO jungiklį. Jeigu peiliai nesustoja, nenaudokite traktoriuko ir nedelsdami kreipkitės į savo EGO techninės priežiūros centrą.

PASTABA.

- Jei stovėjimo stabdžio pedalas nustatytas į stovėjimo stabdžio padėtį, reikia 3 sekundes spausti paleidimo ir sustabdymo mygtuką, kad pradėtų šviesti LCD ekranas, tada, prieš pradėdant važiuoti, atleisti stovėjimo stabdžio pedalą.
- Pjovimo peilius galima paleisti bet kuriuo metu, kai LCD ekranas yra visiškai apšviestas, o krypties valdymo svirtis nėra pastumta atgal į „R“ padėtį. Norėdami įjungti peilius važiuodami traktoriuku atbuline eiga, skaitykite šio vadovo skyrių „PEILIŲ ĮJUNGIMAS VAŽIUOJANT ATBULINE EIGA“.

PASTABA. Vadovaukitės E17 pav. ir rinkitės mažiausią važiavimo greitį, kol išmoksite traktoriuką valdyti visose situacijose.

Elektrinis vejų traktoriukas neįsima važiavimo greičio ir peilių greičio nustatymų. Išjungus traktoriuką, važiavimo greitis ir peilių greitis kiekvieną kartą bus nustatytas į 2 lygį.

Važiavimo greičio reguliavimas (E17 pav.)

Peilių greičio reguliavimas (E18 pav.)

PASTABA. Nustatę 3 lygį, dar kartą paspauskite peilių greičio reguliavimo mygtuką ir peilių greitis vėl bus toks, kaip prieš tai buvęs greitis.

LED apšvietimas (E19 pav.)

- LED žibintus galima įjungti ir išjungti LED apšvietimo jungikliu.

USB lizdas

PASTABA. USB lizdas tiekia 5 V / 1,5 A nuolatinės srovės įkrovimo įtampą tik tuomet, kai traktoriukas užvedamas.

TRAKTORIUKO SUSTABDYMAS (E20 Pav.)

▲ ĮSPĖJIMAS. Kai traktoriukas sustoja važiuodamas šlaitu, visada nustatykite stovėjimo stabdžio pedalą į stovėjimo stabdžio padėtį, priešingu atveju traktoriukas gali nuslysti šlaitu, dėl ko jis gali būti stipriai sugadintas ir galite sunkiai susižeisti!

PASTABA. Esant situacijai, kai stovėjimo stabdžio pedalas yra nustatytas į stovėjimo stabdžio padėtį, vairuotojas yra išlipęs iš sėdynės, tačiau sudėtinė baterija neišimta:

- jei LCD ekranas yra išjungtas, baterijos indikatoriai, paleidimo ir sustabdymo mygtukas bei CCS mygtukas liks apšviesti 1 valandą;
- jei LCD ekrane rodomas „degalų matuoklis“ arba vairuotojo sąsaja, traktoriukas automatiškai išsijungs po 1 valandos.

Avarinis grįžimo režimas

Kai baterijos įkrova sumažėja iki minimumo, traktoriukas persijungia į avarinį grįžimo režimą, kad išsaugotų pakankamai energijos grįžimui į įkrovimo vietą.

- Peilių sukimosi greitis sumažėja, todėl jie gali nupjauti tik labai nedaug žolės. Įvažiuavus į aukštą ir tankią žolę, peiliai nustoja sukintis. Su pertrūkiais skamba (pypsi) garsinis signalas.
- Traktoriuko būsenos indikatorius kas sekundę mirksės raudonai. Mirksės tiek įspėjimo piktograma (mažos galios), tiek kiekvieno užimto baterijos skyriaus piktograma.

Vairuotojas privalo:

- Nuspausti žemyn PTO jungiklį ir taip atjungti peilių variklius. Peiliams sustojus nustoja skambėti garsinis signalas.
- Nutraukti darbą ir kuo skubiau grįžti į įkrovimo vietą. Traktoriukas gali nuvažiuoti daugiausia 1000 m.

Kai baterija beveik iškrauta, tiek įspėjimo piktograma (mažos galios), tiek kiekvieno užimto baterijos skyriaus piktograma mirksės kas pusę sekundės. Traktoriukas tuoj pat nustos veikti. Vairuotojas turi nugabenti traktoriuką į įkrovimo vietą, kad būtų galima įkrauti.

PASTABA. Jei traktoriuką reikia stumti, įsitikinkite, kad baterijos atjungtos nuo traktoriuko ir stovėjimo stabdžio pedalas yra ne stovėjimo stabdžio padėtyje.

TRAKTORIUKO VAIRAVIMAS (E21 Pav.)

▲ PAVOJUS. Nepriartėkite arčiau kaip per du pjovimo pločius prie griovių, šlaitų ar vandens. Netgi nuspaudus stabdžio pedalą ir sustabdžius traktoriuką, priekiniai jo ratai gali sukintis, todėl jis gali nuvirsti nuo šlaito ar įvažiuoti į vandenį, o vairuotojas gali sunkiai susižaloti ar net mirti.

▲ ĮSPĖJIMAS. Nevažiuokite traktoriuku viešuosiuose keliuose.

▲ ĮSPĖJIMAS. Jei pjovimo platforma užsikemša ar atsitrenkiate į kokią nors kliūtį, išjunkite variklius ir ištraukite baterijas. Išvalykite žolės nuopjovas, lapus, purvą ir kitas prikibusias šiukšles; traktoriuką atidžiai patikrinkite, ar nesugadintas, ir pašalinkite visus gedimus prieš vėl jį paleisdami ir eksploatuodami.

PASTABA.

- Jei traktoriukui važiuojant nulipsite nuo sėdynės, jo būsenos indikatorius išsijungs. Pradėdami važiuoti iš naujo, atsisėskite ant sėdynės ir visiškai nuspauskite stovėjimo stabdžio pedalą, kad traktoriuko būsenos indikatorius šviestų žaliai.
- Važiuodami ir perjungdami priekinę bet atbulinę eigas, krypties valdymo svirtį judinkite tiesiai nuo vieno galo iki kito, nesustabdydami neutralioje padėtyje, kitaip traktoriukas gali nustoti judėti.


GREIČIO PALAIKYMO SISTEMOS (CCS) NAUDOJIMAS



Norėdami suaktyvinti (įjungti) pastovaus greičio palaikymo sistemą (CCS) (E22 pav.)

PASTABA. Naudojant pastovaus greičio palaikymo sistemą, LCD ekrane rodomas važiavimo greitis gali nebūti tikslus ir ne visiškai atitikti realų traktoriuko važiavimo greitį. Paspauskite greičio reguliavimo mygtuką, kad „atnaujintumėte“ važiavimo greičio lygį LCD ekrane.

Norėdami sustabdyti pastovaus greičio palaikymo sistemą (CCS), galite pasirinkti vieną iš trijų būdų.

- Iki galo nuspauskite akceleratoriaus pedalą ir laikykite nuspaudę. CCS funkcija nustos veikti, o traktoriukas toliau važiuos.
- Šiek tiek spustelėkite akceleratoriaus pedalą ir atleiskite. Traktoriukas ir CCS funkcija nustos veikti.
- Paspauskite CCS mygtuką. Traktoriukas ir CCS funkcija nustos veikti.

PASTABA. Kai CCS funkcija sustabdoma, piktograma „“ nebebus rodoma LCD ekrane ir du kartus pasigirs pytelėjimas.

PASTABA. Jei stovėjimo stabdžio pedalas bus nuspaustas, traktoriukas sustos, tačiau LCD ekrane mirksės piktograma „“, nurodanti, kad CCS veikia budėjimo režimu. Tokiu atveju atleiskite stovėjimo stabdžio pedalą, paspauskite CCS mygtuką. Traktoriukas vėl važiuos automatiškai, o piktograma „“ nustos mirksėti.

PEILIŲ ĮJUNGIMAS VAŽIUOJANT ATBULINE EIGA

PASTABA. Nerekomenduojama pjauti atbuline eiga.

⚠ ĮSPĖJIMAS. Būkite labai atsargūs pjaudami atbuline eiga. Prieš pjaudami atbuline eiga visada įsitikinkite, kad darbo vietoje nėra jokių žmonių, ypač mažų vaikų.

⚠ ĮSPĖJIMAS. Vairuotojo matomumas gali būti prastesnis vairuojant traktoriuką su pritvirtintu krepšio komplektu. Prieš pjaunant ir pjaunant atbuline eiga reikia elgtis ypatingai atsargiai ir stebėti aplinką.



Norint suaktyvinti (įjungti) PJOVIMĄ ATBULINE EIGA (E23)

Norėdami sustabdyti (išjungti) PJOVIMĄ ATBULINE EIGA, galite pasirinkti vieną iš keturių būdų.

- Vieną kartą paspauskite PJOVIMO ATBULINE EIGA mygtuką.
- Atsistokite nuo traktoriuko sėdynės.
- Spauskite paleidimo ir sustabdymo mygtuką 3 sek., kad išjungtumėte LCD ekrane.
- Ištraukite saugos raktelį arba išimkite sudėtinę (-es) bateriją (-as), kad išjungtumėte traktoriuką.

PASTABA. Sustabdžius PJOVIMĄ ATBULINE EIGA, LCD ekrane pradeda šviesti piktograma „“.

ŽOLĖS KREPŠIO IŠTUŠTINIMAS (E24 Pav.)

PASTABA. Kai LCD ekrane mirksi piktograma „“, žolės krepšys yra pilnas. Ištuštinus krepšį, piktograma „“ LCD ekrane nebešvies.

PASTABA. Reikia tinkamai pakeisti traktoriuko žolės krepšį, priešingu atveju traktoriukas gali važiuoti, tačiau nebus galima įjungti peilių variklio.

TECHNINĖ PRIEŽIŪRA

⚠ ĮSPĖJIMAS. Visada užsidėkite apsauginius akinius su šonine apsauga. Nesilaikant šio nurodymo į akis gali pataikyti išsviestos šiukšlės arba galite kitaip sunkiai susižaloti.

⚠ ĮSPĖJIMAS. Vykdydami traktoriuko peilių techninės priežiūros darbus, visada saugokite rankas užsimaudami tvirtas pirštines arba apvyniodami peilio ašmenis skudurais ar kitomis medžiagomis. Visada prieš atlikdami techninę priežiūrą ar transportuodami traktoriuką, ištraukite saugos raktelį ir išimkite sudėtinės baterijas.

REKOMENDUOJAMAS TECHNINĖS PRIEŽIŪROS GRAFIKAS (-AI)

Techninės priežiūros intervalai	Techninės priežiūros procedūros
Kiekvieną kartą prieš naudojimą arba kasdien	<ul style="list-style-type: none"> ■ Patikrinti apsauginę blokavimo sistemą. ■ Apžiūrėkite padangas, ar jose netrūksta oro. ■ Patikrinti peilius. ■ Patikrinti visą traktoriuką, ar nėra sugadintų, trūkstančių ar atsipalaidavusių dalių: šoninį išmetimo kanalą, sraigtus, varžtus, veržles ir pan.; visos apsaugos turi būti savo vietose ir tinkamai veikti. ■ Patikrinti akceleratoriaus pedalą, ar jį galima tinkamai nuspausti ir atleisti. ■ Patikrinti vairo amortizatorių. Vairas turi sukėti su tam tikru pasipriešinimu.
Kiekvieną kartą po naudojimo	<ul style="list-style-type: none"> ■ Išvalykite traktoriuką ir nuplaukite platformą.
Kas 25 val.	<ul style="list-style-type: none"> ■ Patikrinti oro slėgį padangose.
Kas 100 val.	<ul style="list-style-type: none"> ■ Patikrinti galinius ratus, ar visos ratų veržlės priveržtos rekomenduojama priveržimo jėga (101–103 Nm). ■ Patikrinti priekinius ratus, ar veržlės priveržtos rekomenduojama priveržimo jėga (90–92 Nm).
Kas 200 val.	<ul style="list-style-type: none"> ■ Patikrinti priekinius ratus, ar laisvai sukasi.
Kas pusę metų	<ul style="list-style-type: none"> ■ Patikrinti stovėjimo stabdžio pedalą. Išimkite bateriją iš traktoriuko, tada patraukite stovėjimo stabdžio užrakto svirtį ir nuspauskite stovėjimo stabdžio pedalą, kad įjungtumėte stovėjimo stabdį. Rankiniu būdu stumkite traktoriuką į priekį, kad pamatytumėte, ar traktoriukas gali važiuoti nesisukant galiniams ratams. Jei traktoriukas juda, o galiniai ratai sukasi, kreipkitės į EGO klientų aptarnavimo centrą dėl remonto.

Prieš pastatymą į laikymo vietą	<ul style="list-style-type: none"> Išimkite iš traktoriuko baterijas. Ištraukite iš traktoriuko saugos raktelį. Atlikite visas pirmiau išvardytas techninės priežiūros procedūras ir traktoriuką kruopščiai išvalykite. Patikrinkite visą traktoriuką, ar nėra sugadintų, trūkstančių ar atsipalaidavusių dalių, ir prieš pastatydami į laikymo vietą pakeiskite arba priveržkite atitinkamas dalis.
Kartą į metus	<ul style="list-style-type: none"> Sutepkite priekinių ratų veleno įvoves.

BENDROJI PRIEŽIŪRA

Žolės ištuštinimas (F1 – F3 pav.)

Traktoriuko korpuso valymas (F4 pav.)

Plovimo jungties naudojimas traktoriuko platformai plauti (F5 – F6 pav.)

F5-1	Plovimo jungtis	F5-2	Plovimo jungties greitojo sujungimo mova
F5-3	Sodo žarna		

PASTABA. Baigę plauti, visiškai išjunkite traktoriuką, tada pašalinkite sodo žarną ir greitojo prijungimo movą.

TRAKTORIUKO PLATFORMOS IR PJOVIMO PEILIŲ PRIEŽIŪRA

Paruošimas (G1 pav.)

Platformos nuėmimas (G2 – G3 pav.)

G2-1	Variklio kabelis	G2-2	Vielokaištis
G2-3	Pakabos traukė		

Pjovimo peilių keitimas (G4 – G6 pav.)

G4-1	Stabilizatorius	G5-1	Varžtas
G5-2	Poveržlė	G5-3	Geležinė
G5-4	Jungė	G5-5	Variklio velenas

Platformos išlyginimas

- Kada reikia išlyginti (G7, G8, G9 pav.)**
- Prieš išlyginant**
 - Oro slėgio šaltose padangose tikrinimas (G10 pav.)
 - Patikrinkite peilius. Nuimkite ir pakeiskite sudilusius, įtrūkusius ir (ar) sulenktus peilius, jei reikia.
- Paruošimas išlyginimui (G11 pav.)**
- Kaip išlyginti**
 - Reguliavimas pagal šonus (G12 pav.)
 - Reguliavimas pagal priekį ir galą (G13 pav.)

LAIKYMAS IR GABENIMAS

TRAKTORIUKO TRANSPORTAVIMAS (H1 – H5 Pav.)

H2-1	Nuožulnos	H2-2	Diržai
------	-----------	------	--------

PASTABA. Traktoriuką tinkamai pritvirtinkite diržais ar trosais, kad jis nejudėtų gabenimo metu.

LAIKYMAS (I1 – I2 Pav.)

PASTABA. Išimkite sudėtines baterijas ir laikykite jas atskirai pagal nurodymus atitinkamuose vadovuose.

Prieš pastatydami traktoriuką į laikymo vietą perskaitykite skyrius „BENDROJI PRIEŽIŪRA“ ir „REKOMENDUOJAMAS (-I) TECHNINĖS PRIEŽIŪROS GRAFIKAS (-AI)“.

Aplinkos apsauga



Elektros ir elektroninės įrangos atliekos. Neišmeskite elektros įrangos, panaudotų baterijų ir įkroviklių kartu su buitinėmis atliekomis! Šias atliekas reikia pristatyti į jų surinkimo vietą ar įgalotam perdirbėjui. Elektrinius įrenginius reikia pristatyti į tokių atliekų perdirbimo įmonę.



TRIKDŽIŲ ŠALINIMAS

PROBLEMA	PRIEŽASTIS	SPRENDIMAS
Elektrinis vejos traktoriukas nevažiuoja, kai nuspaudžiamas akceleratoriaus pedalas.	<ul style="list-style-type: none"> Bendra prijungtų sudėtinių baterijų talpa Ah neatitinka reikalavimų. 	<ul style="list-style-type: none"> Norėdami paleisti šį traktoriuką, naudokite pakankamą EGO baterijų kiekį pagal instrukcijas, pateiktas šio vadovo skyriuje „SUDĖTINĖS BATERIJOS ĮSTATYMAS IR IŠĖMIMAS“.
	<ul style="list-style-type: none"> Stovėjimo stabdžio pedalas nustatytas į stabdymo padėtį. 	<ul style="list-style-type: none"> Iki galo nuspauskite stovėjimo stabdžio pedalą, kad išjungtumėte stovėjimo stabdžio padėtį.
	<ul style="list-style-type: none"> Traktoriuko būsenos indikatorius nešviečia žaliai. 	<ul style="list-style-type: none"> Nuspauskite ir atleiskite stovėjimo stabdžio pedalą. Pradės šviesti žalias traktoriuko būsenos indikatorius. Tai reiškia, kad traktoriukas paruoštas paleisti.
	<ul style="list-style-type: none"> Vairuotojas neatsisėdęs ant sėdynės. 	<ul style="list-style-type: none"> Traktoriuką galima valdyti tik tada, kai vairuotojas tinkamai sėdi ant sėdynės.
	<ul style="list-style-type: none"> Sėdynės apsauginė blokavimo sistema nėra tinkamai prijungta. 	<ul style="list-style-type: none"> Išimkite baterijas iš traktoriuko ir pakelkite sėdynės užpakalinę pusę, kad įsitikintumėte, jog laido kištukas tinkamai prijungtas prie lizdo sėdynės apačioje (žr. skyrių „SĖDYNĖS TVIRTINIMAS“). Laikykitės skyriuje „TRAKTORIUKO PALEIDIMAS“ teikiamų instrukcijų, kad iš naujo paleistumėte traktoriuką ir patikrintumėte, ar jį galima užvesti. Nepavykus, kreipkitės į EGO klientų aptarnavimo centrą dėl remonto.
	<ul style="list-style-type: none"> Ypač žemoje temperatūroje traktoriukas gali nepajudėti iš vietos dėl įsijungusios apsaugos nuo žemos temperatūros. 	<ul style="list-style-type: none"> Traktoriuką ir baterijas visada laikykite šiltoje aplinkoje. Traktoriukui sušilus vėl bandykite jį paleisti. Nebandykite paleisti įšalusio įrenginio, nes galite jį sugadinti.
	<ul style="list-style-type: none"> Akceleratoriaus pedalui trukdo judėti šiukšlės. 	<ul style="list-style-type: none"> Patikrinkite ir pašalinkite šiukšles.
	<ul style="list-style-type: none"> Akceleratoriaus pedalo mechaninių arba elektroninių komponentų gedimas. 	<ul style="list-style-type: none"> Kreipkitės į EGO klientų aptarnavimo centrą dėl remonto.
<ul style="list-style-type: none"> Krypties valdymo svirtis nustatyta į neutralią padėtį. 	<ul style="list-style-type: none"> Stumkite arba traukite krypties valdymo svirtį į „D“ arba „R“ padėtį. 	

PROBLEMA	PRIEŽASTIS	SPRENDIMAS
Elektrinis vejos traktoriukas nustoja važiuoti.	<ul style="list-style-type: none"> Važiuojant ir perjungiant priekinę bet atbulinę eigas, krypties valdymo svirtis ilgą laiką būna neutralioje padėtyje. 	<ul style="list-style-type: none"> Atleiskite akceleratoriaus pedalą ir vėl jį nuspauskite.
	<ul style="list-style-type: none"> Akceleratoriaus pedalo elektroninių komponentų gedimas. 	<ul style="list-style-type: none"> Kreipkitės į EGO klientų aptarnavimo centrą dėl remonto.
	<ul style="list-style-type: none"> Važiuojant nelygia vietoje atsijungė sėdynės apsauginė blokavimo sistema. 	<ul style="list-style-type: none"> Išimkite baterijas iš traktoriuko ir pakelkite sėdynės užpakalinę pusę, kad įsitikintumėte, jog laido kištukas tinkamai prijungtas prie lizdo sėdynės apačioje (žr. skyrių „SĖDYNĖS TVIRTINIMAS“). Laikykitės skyriuje „TRAKTORIUKO PALEIDIMAS“ teikiamų instrukcijų, kad iš naujo paleistumėte traktoriuką ir patikrintumėte, ar jį galima užvesti. Nepavykus, kreipkitės į EGO klientų aptarnavimo centrą dėl remonto.
	<ul style="list-style-type: none"> Vairuotojo svoris ant sėdynės pasiskirstęs netolygiai. Kad sėdynės apsauginė blokavimo sistema tinkamai veiktų, ant jos sėdinčio vairuotojo svoris turi būti ne mažesnis kaip 20 kg. 	<ol style="list-style-type: none"> Tinkamai atsėskite ant sėdynės, visiškai nuspauskite ir atleiskite stovėjimo stabdžio pedalą, tada traktoriukas bus paruoštas važiuoti. Jei reikia, atjunkite ir vėl prijunkite baterijas.
	<ul style="list-style-type: none"> Jei stovėjimo stabdžio pedalas bus pakankamai nuspaustas, tačiau neužfiksuotas stovėjimo padėtyje, traktoriukas sustos. 	<ul style="list-style-type: none"> Norėdami iš naujo paleisti traktoriuką, laikykitės skyriuje „TRAKTORIUKO PALEIDIMAS“ pateiktų instrukcijų.
Elektrinio vejos traktoriuko peiliai neįsijungia, kai įjungtas PTO jungiklis. Mirksi PTO jungiklio piktograma.	<ul style="list-style-type: none"> Bendra prijungtų sudėtinių baterijų talpa Ah neatitinka reikalavimų. 	<ul style="list-style-type: none"> Norėdami paleisti šį traktoriuką, naudokite pakankamą EGO baterijų kiekį pagal instrukcijas, pateiktas šio vadovo skyriuje „SUDĖTINĖS BATERIJOS ĮSTATYMAS IR IŠĖMIMAS“.
	<ul style="list-style-type: none"> Paskutinį kartą išjungus traktoriuką, PTO jungiklis nebuvo nuspaustas. 	<ul style="list-style-type: none"> Nuspauskite PTO jungiklį žemyn, o po to aukštyn, kad vėl paleistumėte peilių variklius.
	<ul style="list-style-type: none"> Peiliams pradėdant sukintis traktoriukas patyrė perkrovą, todėl įsijungė variklio apsauga. 	<ul style="list-style-type: none"> Pradėkite pjauti žolę nustatę mažesnę peilių greitį ir jo nedidinkite, kol peiliai gerai nesisuks.
	<ul style="list-style-type: none"> Ypač žemoje temperatūroje peilių variklis gali neįsijungti dėl apsaugos nuo žemos temperatūros. 	<ul style="list-style-type: none"> Traktoriuką ir baterijas visada laikykite šiltoje aplinkoje. Traktoriukui sušilus vėl bandykite jį paleisti. Nebandykite paleisti išalusio įrenginio, nes galite jį sugadinti.
	<ul style="list-style-type: none"> Peilis kliūna už deformuotos traktoriuko platformos. 	<ul style="list-style-type: none"> Kreipkitės į EGO klientų aptarnavimo centrą dėl remonto.
	<ul style="list-style-type: none"> Žolės krepšys netinkamai pritvirtintas. 	<ul style="list-style-type: none"> Tinkamai pritvirtinkite žolės krepšį vadovaudamiesi vadovo skyriuje „ŽOLĖS KREPŠIO TVIRTINIMAS“ teikiamomis instrukcijomis.

PROBLEMA	PRIEŽASTIS	SPRENDIMAS
Pjaunant žolę peiliai sustoja.	<ul style="list-style-type: none"> Traktoriukas patiria perkrovą. 	<ul style="list-style-type: none"> Padidinkite platformos pjovimo aukštį arba sumažinkite važiavimo greitį, kad sumažėtų traktoriuko apkrova.
	<ul style="list-style-type: none"> Žolė ir šiukšlės užkimšo platformą. 	<ul style="list-style-type: none"> Nuvalykite platformą ir patikrinkite, ar peiliai gali laisvai sukis.
	<ul style="list-style-type: none"> Traktoriukas yra perkaitęs. 	<ul style="list-style-type: none"> Sumažinkite traktoriuko apkrovą padidindami platformos pjovimo aukštį arba sumažindami peilių sukimosi ar važiavimo greitį, kad traktoriukas atvėstų.
	<ul style="list-style-type: none"> Sudėtinė (-ės) baterija (-os) traktoriuko baterijų skyriuje perkaito, todėl bendra prijungtų baterijų talpa (Ah) nukrito ir neatitinka reikalavimų. 	<ol style="list-style-type: none"> Traktoriukas gali tęsti darbą, jei bendra įdėtų baterijų talpa (Ah), neskaitant perkaitusios baterijos, atitinka reikalavimus. Kai perkaitusios baterijos temperatūra vėl tampa normali, ji nedelsiant naudojama traktoriukui maitinti. Jei bendra prijungtų baterijų talpa (Ah) neatitinka reikalavimų, traktoriukas neveiks, kol į tuščias baterijų skyriaus vietas neįstatysite daugiau sudėtinių baterijų. Sumažinkite traktoriuko apkrovą padidindami platformos pjovimo aukštį arba sulėtindami važiavimo greitį, tada tęskite darbą.
	<ul style="list-style-type: none"> Traktoriukas veikia avariniu grįžimo režimu. 	<ul style="list-style-type: none"> Kai traktoriukas perjungiamas į avarinį grįžimo režimą, automatiškai sumažinamas peilių sukimosi greitis. Vairuotojas turi nutraukti darbą ir kuo skubiau grįžti į baterijų įkrovimo vietą.
	<ul style="list-style-type: none"> Traktoriukas atsitrenkė į kliūtį ir suveikė variklio apsauga. 	<ul style="list-style-type: none"> Nuspauskite PTO jungiklį žemyn, o po to aukštyn, kad vėl paleistumėte peilių variklius.
	<ul style="list-style-type: none"> Traktoriukas juda atbuline eiga, LCD ekrane šviečia IŠJUNGTO PJOVIMO ATBULINE EIGA piktograma. 	<ul style="list-style-type: none"> Paspauskite PTO jungiklį žemyn ir iš naujo paleiskite peilių variklius vadovaudamiesi skyriaus „Norint suaktyvinti (įjungti) PJOVIMĄ ATBULINE EIGA“ instrukcijomis.
Toliau skamba garsinis signalas.	<ul style="list-style-type: none"> Traktoriukas veikia avariniu grįžimo režimu, tačiau peiliai neišjungti. 	<ul style="list-style-type: none"> Nuspauskite PTO jungiklį žemyn, kad išjungtumėte peilių variklius. Išjungus peilių variklius, garsinis signalas nustoja skambėti.
	<ul style="list-style-type: none"> Traktoriukas sustabdomas važiuojantis šlaitu ir vairuotojas pakyla nuo sėdynės, nenuspaudęs stovėjimo stabdžio į stovėjimo stabdžio padėtį. 	<ul style="list-style-type: none"> Prieš palikdami traktoriuką ant šlaito, nustatykite stovėjimo stabdžio pedalą į stovėjimo stabdžio padėtyje.
Sudėtinių baterijų galios indikatoriai vis dar šviečia, nors traktoriukas yra išjungtas.	<ul style="list-style-type: none"> Kai traktoriukas išjungiamas ant lygaus paviršiaus, o sudėtinė (-ės) baterija (-os) iš jo neišimama (-os), baterijų indikatoriai tam tikrą laiką lieka šviesti. 	<ul style="list-style-type: none"> Nieko nereikia daryti. Praėjus tam laikotarpiui, traktoriukas išsijungia. Taip pat išsijungia baterijų indikatoriai. Konkreti trukmė nurodyta skyriuje „TRAKTORIUKO SUSTABDYMAS“.
	<ul style="list-style-type: none"> Kai traktoriukas išjungiamas ant šlaito neįjungus stovėjimo stabdžio sudėtinių baterijų galios indikatoriai lieka šviesti, kol baterijos išsikrauna. Tuo metu visą laiką skamba garsinis signalas. 	<ul style="list-style-type: none"> Prieš palikdami traktoriuką ant šlaito, nustatykite stovėjimo stabdžio pedalą į stovėjimo stabdžio padėtį. Priešingu atveju traktoriukas gali nuslysti šlaitu.

LT

PROBLEMA	PRIEŽASTIS	SPRENDIMAS
Neįsijungia visos LCD ekrano piktogramos.	<ul style="list-style-type: none"> Nepakankamai ilgai spaudžiamas paleidimo ir sustabdymo mygtukas. 	<ol style="list-style-type: none"> Spustelėjus paleidimo ir sustabdymo mygtuką LCD ekrane atsiranda tik baterijos įkrovos rodmuo. LCD ekranas įsijungs vienu metu visiškai nuspaudus stovėjimo stabdžio pedalą ir pakankamai ilgai spaudžiant paleidimo ir sustabdymo mygtuką.
	<ul style="list-style-type: none"> Kai LCD ekrane mirksi saugos raktelio piktograma „“, saugos raktelis yra neįkištas. 	<ul style="list-style-type: none"> Įkiškite saugos raktelį, tada vienu metu visiškai nuspauskite stovėjimo stabdžio pedalą ir pakankamai ilgai spauskite paleidimo ir sustabdymo mygtuką, kad įjungtumėte LCD ekraną.
	<ul style="list-style-type: none"> Kai LCD ekrane mirksi stovėjimo stabdžio piktograma „“, stovėjimo stabdžio pedalas nėra visiškai nuspaustas. 	<ul style="list-style-type: none"> Įkiškite saugos raktelį, tada vienu metu visiškai nuspauskite stovėjimo stabdžio pedalą ir pakankamai ilgai spauskite paleidimo ir sustabdymo mygtuką, kad įjungtumėte LCD ekraną.
Traktoriukas pjauna nelygiai ir akivaizdžiai skiriasi žolės aukštis priekyje bei gale.	<ul style="list-style-type: none"> Peiliai atšipę. 	<ul style="list-style-type: none"> Peilius pagaląskite arba pakeiskite, kaip nurodyta šiame vadove.
	<ul style="list-style-type: none"> Peiliai sulinkę. 	<ul style="list-style-type: none"> Sulenktus peilius pakeiskite vadovaudamiesi skyriuje „Pjovimo peilių keitimas“ pateiktais nurodymais.
	<ul style="list-style-type: none"> Platforma neišlyginta, todėl peiliai yra skirtingame aukštyje. 	<ul style="list-style-type: none"> Išlyginkite platformą vadovaudamiesi skyriuje „Platformos išlyginimas“ pateiktais nurodymais.
Nupjautos žolės aukštis neatitinka nustatyto pjovimo aukščio.	<ul style="list-style-type: none"> Atsisukusios pakabos traukės platformos veržlės. 	<ul style="list-style-type: none"> Pagal instrukcijas skyriuje „Platformos išlyginimas“ sureguliuokite traktoriuko platformą priekyje ir gale bei tvirtai priveržkite pakabos traukės veržles.
	<ul style="list-style-type: none"> Platforma sugadinta arba gerokai nusidėvėjusi. 	<ul style="list-style-type: none"> Pagal instrukcijas skyriuje „Platformos nuėmimas“ pakeiskite traktoriuko platformą.
Traktoriukas netinkamai mulčiuoja.	<ul style="list-style-type: none"> Nupjauta šlapia žolė prikimba pjovimo platformos apačioje. 	<ul style="list-style-type: none"> Prieš pjaudami veją palaukite, kol žolė išdžius.
	<ul style="list-style-type: none"> Traktoriukas nustatytas iš karto pjauti per daug žolės. 	<ul style="list-style-type: none"> Pakelkite pjovimo platformą į didesnę aukštį.
Per didelė vibracija.	<ul style="list-style-type: none"> Peiliai atsipalaidavę. 	<ul style="list-style-type: none"> Priveržkite peilio varžtą rekomenduojama priveržimo jėga.
	<ul style="list-style-type: none"> Peiliai sulinkę. 	<ul style="list-style-type: none"> Sulenktus peilius pakeiskite vadovaudamiesi skyriuje „Pjovimo peilių keitimas“ pateiktais nurodymais.
	<ul style="list-style-type: none"> Platforma neišlyginta. 	<ul style="list-style-type: none"> Išlyginkite traktoriuko platformą vadovaudamiesi skyriuje „Platformos išlyginimas“ pateiktais nurodymais.
	<ul style="list-style-type: none"> Atsisukusios pakabos traukės platformos veržlės. 	<ul style="list-style-type: none"> Priveržkite pakabos traukės veržles.
	<ul style="list-style-type: none"> Platforma nustatyta iš karto pjauti per daug žolės. 	<ul style="list-style-type: none"> Pakelkite pjovimo platformą į didesnę aukštį.
Po pjovimo ant vejos lieka žolė ar šiukšlės.	<ul style="list-style-type: none"> Platforma nustatyta iš karto pjauti per daug žolės, kai žolė yra aukšta. 	<ul style="list-style-type: none"> Veją pradėkite pjauti nustatę didesnę aukštį, kurį po to mažinkite, kol pasieksite pageidaujimą pjovimo rezultata. Aukštesnę nei 152 cm žolę reikia pjauti per du kartus, palaipsniui mažinant pjovimo aukštį.
	<ul style="list-style-type: none"> Žolė šlapia. 	<ul style="list-style-type: none"> Nepjaukite, kai žolė yra šlapia. Palaukite, kol žolė išdžius.
	<ul style="list-style-type: none"> Per didelis važiavimo greitis. 	<ul style="list-style-type: none"> Sumažinkite važiavimo greitį.
	<ul style="list-style-type: none"> Per mažas peilių sukimosi greitis. 	<ul style="list-style-type: none"> Palaipsniui padidinkite peilių sukimosi greitį.
Su įkrautomis baterijomis traktoriukas veikia trumpai.	<ul style="list-style-type: none"> Veikimo trukmė labai priklauso nuo vejos reljefo, žolės būklės, pjovimo aukščio nustatymo, važiavimo greičio, peilių sukimosi greičio ir pan. 	<ul style="list-style-type: none"> Padidinkite pjovimo aukštį ir sumažinkite peilių sukimosi greitį, kad sumažėtų pjovimo apkrova.

PROBLEMA	PRIEŽASTIS	SPRENDIMAS
Traktoriukas nevažiuoja tiesiai.	<ul style="list-style-type: none"> Skiriasi kairiosios ir dešinės pusės ratų padangų oro slėgis. 	<ul style="list-style-type: none"> Patikrinkite ir sureguliuokite oro slėgį abiejose galinių ratų padangose pagal rekomendacijas šio vadovo skyriuje „TECHNINIAI DUOMENYS“.
Stovėjimo stabdžio pedalo negalima atleisti iš stovėjimo stabdžio padėties arba jis per lėtai grįžta į pradinę padėtį.	<ul style="list-style-type: none"> Stovėjimo stabdžio pedalui judėti trukdo šiukšlės. 	<ul style="list-style-type: none"> Patikrinkite ir pašalinkite šiukšles.
Traktoriuko negalima įkrauti prijungus per įkrovimo jungtį, nors būsenos indikatorius nuolat šviečia raudonai.	<ul style="list-style-type: none"> Įkroviklio kištukas netinkamai įstatytas į traktoriuko įkrovimo jungtį. 	<ul style="list-style-type: none"> Iš naujo prijunkite įkroviklio kištuką ir patikrinkite, ar traktoriuką galima įkrauti įprastai.
	<ul style="list-style-type: none"> Sieniniame elektros lizde nėra įtampos. 	<ul style="list-style-type: none"> Nieko nereikia daryti. Palaukite, kol atsiras maitinimo įtampa.
	<ul style="list-style-type: none"> Sugedęs įkroviklis. 	<ul style="list-style-type: none"> Susisiekite su EGO klientų aptarnavimo centru, kad prireikus kvalifikuotas techninės priežiūros specialistas pakrovėją apžiūrėtų ir (arba) suremontuotų.
	<ul style="list-style-type: none"> Traktoriuko įkroviklio jungtis yra sugedusi. 	<ul style="list-style-type: none"> Kreipkitės į EGO klientų aptarnavimo centrą dėl remonto.
Įkrovimas per traktoriuko įkrovimo jungtį trunka per ilgai.	<ul style="list-style-type: none"> Naudojant EGO adapterį ACA1000 įkrovimas trunka ilgai. 	<ul style="list-style-type: none"> Naudokite EGO įkroviklį CHV1600E elektriniam vejos traktoriukui tiesiogiai įkrauti.
Baterijų negalima visiškai įkrauti per traktoriuko įkrovimo jungtį.	<ul style="list-style-type: none"> Traktoriuko aparatinės programinės įrangos klaida, sudėtinės baterijos arba įkroviklio gedimas. 	<ul style="list-style-type: none"> Iš naujo nustatykite įkroviklį, atjungdami jį nuo elektros lizdo ir palaukdami kelias minutes. Tuomet vėl prijunkite kištuką prie elektros lizdo. Jei tai problemos neišsprendžia, kreipkitės į EGO klientų aptarnavimo centrą.
Po plovimo traktoriuko neįmanoma paleisti.	<ul style="list-style-type: none"> Netinkamas valymas, pavyzdžiui, vanduo pateko į elektrinius komponentus, ant LCD ekrano ir pan. 	<ol style="list-style-type: none"> Laikykitės tinkamų traktoriuko valymo instrukcijų, teikiamų skyriuje „BENDROJI PRIEŽIŪRA“. Jeigu traktoriukas atsitiktinai pateko į lietaus, pastatykite jį išdžiūti arba išdžiovinkite pūsdami suslėgtąjį orą.
Platforma greitai užsikemša.	<ul style="list-style-type: none"> Po ankstesnio naudojimo platforma nebuvo tinkamai išvalyta. 	<ul style="list-style-type: none"> Kiekvieną kartą po naudojimo išplaukite traktoriuko platformą laikydamiesi nurodymų skyriuje „Plovimo jungties naudojimas platformai plauti“.
Važiuodamas šlaitu į viršų traktoriukas pradeda slysti.	<ul style="list-style-type: none"> Nudilę traktoriuko galinių ratų padangos. 	<ul style="list-style-type: none"> Pakeiskite ratų padangas artimiausiose remonto dirbtuvėse.
	<ul style="list-style-type: none"> Žolės pjovimas stačiame šlaite. 	<ul style="list-style-type: none"> Traktoriuku negalima pjauti žolės statesniuose nei nurodyta šlaituose.
Kai traktoriukas sustabdomas ant šlaito, įjungus stovėjimo stabdžio pedalą jis gali nuslysti šlaitu.	<ul style="list-style-type: none"> Netinkamai naudojant traktoriuką, labai susidėvi stabdžių detalės. 	<ul style="list-style-type: none"> Kreipkitės į EGO klientų aptarnavimo centrą dėl remonto.
Bandant plauti pjovimo platformą iš plovimo jungties neteka vanduo.	<ul style="list-style-type: none"> Plovimo jungties greitojo sujungimo mova netinkamai prijungta prie plovimo jungties. 	<ul style="list-style-type: none"> Iš naujo prijunkite plovimo jungties greitojo sujungimo movą taip, kad stipriai prispaudę išgirstumėte spragtelėjimą. Jei tai nepadeda, kreipkitės į EGO klientų aptarnavimo centrą.
Stumiant neužvestą traktoriuką girdimas neįprastas garsas.	<ul style="list-style-type: none"> Garsą skleidžia traktoriuko variklio magnetai. 	<ul style="list-style-type: none"> Tai normalu ir nereikia imtis jokių veiksmų.
Vairo negalima pasukti.	<ul style="list-style-type: none"> Vairo mechanizmui trukdo šiukšlės. 	<ul style="list-style-type: none"> Patikrinkite ir pašalinkite šiukšles.
Pasukus vairą, traktoriukas nesisuka į kairę ar į dešinę.	<ul style="list-style-type: none"> Elektroninių arba mechaninių komponentų gedimas. 	<ul style="list-style-type: none"> Kreipkitės į EGO klientų aptarnavimo centrą dėl remonto.

PROBLEMA	PRIEŽASTIS	SPRENDIMAS
Atleidus akceleratoriaus pedalą, traktoriukas nesustoja.	<ul style="list-style-type: none"> ▪ Akceleratoriaus pedalui trukdo judėti šiukšlės. 	<ul style="list-style-type: none"> ▪ Patikrinkite ir pašalinkite šiukšles.
	<ul style="list-style-type: none"> ▪ Važiuojant netyčia paspaudžiamas CCS mygtukas. Traktoriukas veikia pastovaus greičio palaikymo režimu. 	<ul style="list-style-type: none"> ▪ Patikrinkite, ar LCD ekrane šviečia CCS piktograma, ir, jei reikia, CCS išjunkite. Žr. skyrių „GREIČIO PALAIKYMOSISTEMOS (CCS) NAUDOJIMAS“.
CCS funkcijos negalima įjungti arba išjungti.	<ul style="list-style-type: none"> ▪ Netinkamai paspaustas CCS mygtukas. 	<ul style="list-style-type: none"> ▪ Spauskite CCS mygtuką, kol CCS piktograma LCD ekrane užsidegs arba užges.
Priekiniai traktoriuko ratai sukasi ir kelia neįprastą triukšmą.	<ul style="list-style-type: none"> ▪ Priekinių ratų veleno įvares reikia sutepti. 	<ul style="list-style-type: none"> ▪ Išimkite sudėtinės baterijas ir pripilkite į tepimo angas tepalo, kol tepalas persipils per priekinių ratų veleno įvorių viršutinį kraštą arba apatinį kraštą.

TRAKTORIAUS BŪSENOS INDIKATORIUS

LCD ekranas	Aprašymas	Traktoriuko būsenos indikatorius	Garsinis indikatorius	Priežastis	Sprendimas
	Įkrovos matuoklio piktograma	Nedega	Nėra	Rodomą vidutinę įstatytų sudėtinių baterijų įkrovos vertę.	Tai normalu. Nieko nereikia daryti.
	Valandų matuoklio piktograma	Nedega	Nėra	Rodo bendrą traktoriuko važiavimo laiką valandomis, kurio negalima atstatyti.	Tai normalu. Nieko nereikia daryti.
	Apkrovos indikatorius piktograma	Nedega	Nėra	Rodo einamąją traktoriuko apkrovą.	Tai normalu. Nieko nereikia daryti.
	LED apšvietimo piktograma šviečia LCD ekrane.	Nedega	Nėra	Priekiniai žibintai įjungiami LED apšvietimo jungikliu.	Tai normalu. Nieko nereikia daryti.
	LCD ekrane šviečia „Bluetooth“ piktograma	Nedega	Nėra	Traktoriukas prijungtas prie mobiliojo prietaiso „Bluetooth“ ryšiu.	Tai normalu. Nieko nereikia daryti.
	LCD ekrane šviečia PJOVIMO ATBULINE EIGA piktograma.	Nedega	Nėra	Tai reiškia, kad peilių negalima įjungti traktoriukui judant atbuline eiga.	Tai normalu. Jei reikia, įjunkite peilius važiuodami atbuline eiga, vadovaudamiesi šio vadovo skyriaus „PEILIŲ ĮJUNGIMAS VAŽIUOJANT ATBULINE EIGA“ instrukcijomis.
	LCD ekrane šviečia važiavimo piktograma.	Nedega	Nėra	Tai reiškia, kad traktoriukas gali važiuoti arba važiuoja į priekį.	Tai normalu. Nustatykite krypties valdymo svirtį į „D“, neutralią arba „R“ padėtį pagal poreikį.
	LCD ekrane šviečia atbulinės eigos piktograma.	Nedega	Nėra	Tai reiškia, kad traktoriukas gali važiuoti arba važiuoja atgal.	
	Važiavimo piktograma ir atbulinės eigos piktograma mirksi pakaitomis.	Nedega	Nėra	Tai reiškia, kad traktoriukas negali važiuoti.	
	Šviečia saugos raktelio piktograma	Nedega	Nėra	Saugos raktelis įkištas teisingai.	Tai normalu. Nieko nereikia daryti.
	Saugos raktelio piktograma mirksi, kai LCD ekrane rodomas „įkrovos matuoklis“.	Nedega	Nėra	Saugos raktelis neįkištas į lizdą.	Įkiškite saugos raktelį, tada vienu metu visiškai nuspauskite stovėjimo stabdžio pedalą ir ilgiau nei 3 sekundes spauskite paleidimo ir sustabdymo mygtuką, kad įjungtumėte traktoriuką.
				Sugedęs raktų valdymo skydelio blokas.	Kreipkitės į EGO klientų aptarnavimo centrą dėl remonto.

LCD ekranas	Aprašymas	Traktoriuko būsenos indikatorius	Garsinis indikatorius	Priežastis	Sprendimas
	Stovėjimo stabdžio piktograma mirksi, kai LCD ekrane rodomas „įkrovos matuoklis“.	Nedega	Nėra	Stovėjimo stabdžio pedalas nenuspaustas.	Įkišę saugos raktelį, vienu metu visiškai nuspauskite stovėjimo stabdžio pedalą ir ilgiau nei 3 sekundes spauskite paleidimo ir sustabdymo mygtuką, kad užvestumėte traktoriuką.
	Stovėjimo stabdžių piktograma mirksi, kai LCD ekrane rodoma vairuotojo sąsaja.	Nedega	Nėra	Prieš nuspaužiant stovėjimo stabdžio pedalą, nuspauskite akceleratoriaus pedalą, kad traktoriaus indikatorius šviestų žaliai.	Tinkamai užveskite traktoriuką, laikydamiesi skyriuje „ TRAKTORIUKO PALEIDIMAS “ pateiktų nurodymų.
	Šviečia stovėjimo stabdžio piktograma	Nedega	Nėra	Stovėjimo stabdžio pedalas yra nustatytas į stovėjimo stabdžio padėtį.	Atleiskite jį prieš paleisdami traktoriuką.
	Šviečia sėdynės jutiklio piktograma	Nedega	Nėra	Vairuotojas pakilo nuo sėdynės arba atjungta sėdynės apsauginė blokavimo sistema.	Jeigu vairuotojas sėdi sėdynėje, o piktograma šviečia, nedelsdami nustokite naudoti traktoriuką ir patikrinkite sėdynės jungtį. Jeigu sėdynė tinkamai pritvirtinta prie traktoriuko, dėl remonto kreipkitės į kvalifikuotą techninės priežiūros specialistą.
	Mirksi PTO jungiklio piktograma.	Nedega	Nėra	Išjungtas veikęs peilių variklis, tačiau neišjungtas PTO jungiklis.	Prieš vėl paleisdami traktoriuką, nuspauskite PTO jungiklį ir išjunkite peilių variklius. Daugiau informacijos rasite šio vadovo skyriuje „ TRIKDŽIŲ ŠALINIMAS “.
	Mirksi atitinkamo baterijos skyriaus piktograma.	Nedega	Nėra	Konkrečioje baterijoje išsikrovimo metu susidarė viršsrovis.	Nieko nereikia daryti. Traktoriukas gali tęsti darbą, jei bendra įstatytų baterijų talpa, neskaitant baterijos su viršsroviu, yra ne mažesnė kaip 15 Ah. Kai tik baterija su viršsroviu grįš į normalią būseną, ji iš karto bus naudojama traktoriukui maitinti ir piktograma išnyks.
	Mirksi tuščio baterijų skyriaus piktograma.	Nedega	Nėra	Baterijos įkrovos nepakanka traktoriukui dirbti.	Norėdami paleisti šį traktoriuką, naudokite pakankamą EGO baterijų kiekį pagal instrukcijas, pateiktas šio vadovo skyriuje „ SUDĖTINĖS BATERIJOS ĮSTATYMAS IR IŠĖMIMAS “.

LCD ekranas	Aprašymas	Traktoriuko būsenos indikatorius	Garsinis indikatorius	Priežastis	Sprendimas
	Vienu metu mirksi temperatūros piktograma ir tiksliai užimto baterijų skyriaus vieta.	Nedega	Nėra	Perkaito sudėtinė baterija atitinkamo numerio baterijų skyriuje.	<ol style="list-style-type: none"> 1. Traktoriukas gali tęsti darbą, jei bendra įdėtų baterijų talpa (Ah), neskaitant perkaitusios baterijos, atitinka reikalavimus. Kai perkaitusios baterijos temperatūra vėl tampa normali, ji nedelsiant naudojama traktoriukui maitinti. 2. Jei bendra prijungtų baterijų talpa (Ah) neatitinka reikalavimų, traktoriukas neveiks, kol į tuščias baterijų skyriaus vietas neįstatysite daugiau sudėtinių baterijų. 3. Sumažinkite traktoriuko apkrovą padidindami platformos pjovimo aukštį arba sulėtindami važiavimo greitį, tada tęskite darbą.
	Mirksi temperatūros piktograma.	Nedega	Vienas pyptelėjimas	<p>Traktoriukas yra perkaitęs.</p> <p>Traktoriukas yra per šaltas.</p>	<p>Sumažinkite traktoriuko apkrovą, padidindami platformos pjovimo aukštį arba sumažindami peilio sukimosi ar važiavimo greitį. Padarykite pertrauką ir leiskite traktoriukui atvėsti.</p> <p>Nebandykite pakartotinai, nes įrenginį galite sugadinti. Traktoriuką ir baterijas visada laikykite šiltoje aplinkoje. Traktoriukui sušilus vėl bandykite jį paleisti.</p>
	Įspėjimo piktograma mirksi.	Mirksi raudonas	Vienas pyptelėjimas	<p>Peilių variklio perkrova.</p> <p>Šoninį išmetimo kanalą užkimšo žolė ir šiukšlės.</p> <p>Peilis kliūna už traktoriuko platformos.</p>	<p>Padidinkite platformos pjovimo aukštį arba sumažinkite važiavimo greitį, kad sumažėtų traktoriuko apkrova.</p> <p>Po kiekvieno naudojimo išvalykite šoninį išmetimo kanalą.</p> <p>Kreipkitės į EGO klientų aptarnavimo centrą.</p>
	LCD ekrane kiekvieno užimto baterijos skyriaus piktograma ir įspėjimo piktograma mirksi kas 1 sekundę tuo pačiu metu.	Mirksi raudonas	Nuolat pypsi, kol nuspaudžiamas PTO jungiklis	Maža sudėtinių baterijų įkrova ir traktoriukas veikia avariniu grįžimo režimu.	<p>Nutraukite darbą ir grįžkite į baterijų įkrovimo vietą.</p> <p>PASTABA. Kai traktoriukas veikia avariniu grįžimo režimu, automatiškai sumažinamas peilių sukimosi greitis; tuo pat metu nuolat skamba garsinis signalas. Vairuotojas turi nuspaušti PTO jungiklį ir išjungti peilių variklius. Sustojus peiliams, garsinis signalas nustos pypsėti.</p>
	Kiekvieno užimto baterijos skyriaus piktograma ir įspėjimo piktograma mirksi kas pusę sekundės.	Mirksi raudonas	Nuolat pypsi	Išjungtas veikęs peilių variklis, tačiau neišjungtas PTO jungiklis.	Traktoriukas tuoj pat nustos veikti. Vairuotojas turi nugabenti traktoriuką į baterijos įkrovimo vietą, kad galėtų įkrauti.

LT

LCD ekranas	Aprašymas	Traktoriuko būsenos indikatorius	Garsinis indikatorius	Priežastis	Sprendimas
	CCS piktograma šviečia LCD ekrane.	Šviečia žaliai	Nėra	Traktoriukas toliau važiuoja į priekį nustatytu greičiu nespaudžiant akceleratoriaus pedalo.	Tai normalu. Jei reikia, išjunkite CCS funkciją vadovaudamiesi šio vadovo skyriuje „ Norėdami sustabdyti pastovaus greičio palaikymo sistemą (CCS) “ pateiktomis instrukcijomis.
	CCS piktograma mirksi LCD ekrane.	Nedega	Nėra	Sugedo CCS (greičio palaikymo sistemos) funkcija. Nuspaustas stovėjimo stabdžio pedalas, kad traktoriukas sustotų.	CCS funkcijos negalima nustatyti, kai traktoriukas važiuoja labai mažu greičiu arba atbuline eiga. Atleidę stovėjimo stabdžio pedalą, paspauskite CCS mygtuką ir LCD ekrane pradės šviesti CCS piktograma. Arba išeikite iš CCS funkcijos, vadovaudamiesi skyriuje „ Norėdami sustabdyti pastovaus greičio palaikymo sistemą (CCS) “ teikiamomis instrukcijomis.
	LCD ekrane šviečia piktograma, nurodanti, kad nėra žolės krepšio	Nėra	Nėra	Tai reiškia, kad žolės krepšys nepritvirtintas arba netinkamai pritvirtintas prie traktoriuko.	Tinkamai pritvirtinkite žolės krepšį prie traktoriuko.
	LCD ekrane mirksi pilno žolės krepšio piktograma.	Nėra	Nėra	Tai reiškia, kad žolės krepšys yra pilnas.	Ištuštinkite žolės krepšį ir tinkamai jį pakeiskite.
Nėra	Nėra	Nedega	Nuolat pypsi	Traktoriukas stovi ant šlaito, kai vairuotojas palieka traktoriuką nenustačius stovėjimo stabdžio pedalo į stovėjimo stabdžio padėtį.	Stovėjimo stabdžio pedalą nustatykite į stovėjimo stabdžio padėtį. Švies stovėjimo stabdžio piktograma ir pypsės garso indikatorius.
Nedega	Įkrovimo jungties gedimas	Dega raudonas	Nėra	Nėra maitinimo įtampos.	Patikrinkite sieninį elektros lizdą, ar yra 220–240 V maitinimo įtampa ir ar lizdas geras.
		Dega raudonas	Nėra	Elektroninių dalių gedimai, pvz., atvira įkrovimo jungties grandinė, perdegęs saugiklis ir pan.	Kreipkitės į EGO klientų aptarnavimo centrą dėl remonto.



GEDIMO KODO NUORODA

Aprašymas	Gedimo kodas LCD ekrane	Garsinis indikatorius	Sprendimas
Nesisuka kairiojo peilio variklis	509	Vienas pyptelėjimas	Pradžioje patikrinkite peilį. Jei jis atsipalaidavęs, priveržkite varžtą rekomenduojama priveržimo jėga. Priešingu atveju kreipkitės į EGO klientų aptarnavimo centrą dėl remonto.
Nesisuka dešiniojo peilio variklis	609	Vienas pyptelėjimas	

PASTABA. LCD ekrane pasirodžius bet kokiems kitiems gedimų kodams, kurie gali įspėti apie PCBA gedimą, atsilaisvinusią jungtį, varančiojo variklio, peilių variklių ir pan. gedimą, išimkite sudėtines baterijas ir po kelių minučių vėl jas įstatykite, tada bandykite iš naujo paleisti traktoriuką. Jeigu šie veiksmai problemos neišsprendžia, užsirašykite gedimo kodą ir kreipkitės į EGO klientų aptarnavimo centrą dėl remonto.

GARANTIJA

EGO GARANTIJOS TAISYKLĖS

Norėdami sužinoti visas EGO garantijos sąlygas ir nuostatas, apsilankykite interneto svetainėje adresu egopowerplus.eu.

LT

350

ELEKTRINIS VEJOS TRAKTORIUKAS — TR3800E-B

IZLASIET VISAS INSTRUKCIJAS!



IZLASIET EKSPLOATĀCIJAS ROKASGRĀMATU

DROŠĪBAS APZĪMĒJUMS

Drošības apzīmējumi ir paredzēti, lai pievērstu jūsu uzmanību iespējamiem apdraudējumiem. Pievērsiet uzmanību drošības apzīmējumiem un to skaidrojumiem, un izprotiet tos. Brīdinājumu apzīmējumi paši par sevi nenovērš apdraudējumu. Tajos ietvertie norādījumi un brīdinājumi neaizstāj atbilstošu negadījumu novēršanas pasākumu īstenošanu.

▲ BRĪDINĀJUMS! Pirms šīs mašīnas lietošanas izlasiet un izprotiet visus šajā lietotāja rokasgrāmatā iekļautos drošības norādījumus, tostarp visus drošības brīdinājuma apzīmējumus, piemēram, „**BĪSTAMI**”, „**BRĪDINĀJUMS**” un „**UZMANĪBU**”. Visu turpmāk uzskaitīto norādījumu neievērošana var izraisīt elektriskās strāvas triecienu, aizdegšanos un/vai smagus miesas bojājumus.

SIMBOLA NOZĪME

Šajā lapaspusē ir parādīti un aprakstīti drošības apzīmējumi, kas var būt norādīti uz šī izstrādājuma. Pirms iekārtas montāžas un lietošanas izlasiet, izprotiet un ievērojiet visus uz iekārtas sniegtos norādījumus.

DROŠĪBAS SIMBOLI

	Drošības brīdinājums		Izlasiet un izprotiet lietotāja rokasgrāmatu
	Acu aizsarglīdzekļi		Veiciet drošības ierīcēm apkopi
	BĪSTAMI! Pastāv draudi, ko rada stāvas nogāzes		BĪSTAMI! Neļaujiet nepiederošām personām tuvoties asmeņiem
	Nekad nepārvadājiēt bērnus		Braucot atpakaļgaitā, skatieties atpakaļ
	BRĪDINĀJUMS! Neizmantojiet šo mašīnu stāvās vietās, kurās slīpums ir lielāks par 12°		BĪSTAMI! Var tikt izsviesti priekšmeti
	BRĪDINĀJUMS! TURIET ROKAS UN KĀJAS DROŠĀ ATTĀLUMĀ		Garantētais skaņas intensitātes līmenis. Saskaņā ar Eiropas Kopienas direktīvu.
	Nekāpiet virsū		Elektrisko izstrādājumu atkritumus nedrīkst izmest kopā ar sadzīves atkritumiem. Nogādāt uz pilnvarotu pārstrādes punktu.
	Šis izstrādājums atbilst piemērojamām EK direktīvām		Uzmanību! Neskatīties tieši darba lampā.
	Līdzstrāva		Šis izstrādājums atbilst piemērojamiem Apvienotās Karalistes tiesību aktiem.

LV

kPa	Kilopaskāli	RPM	Apgriezieni minūtē
V	Volti	m	Metri
in	Colla	cm	Centimetri
Nm	Ņūtonmetrs	mm	Millimetri
°C	Celsijs	kg	Kilograms
km/h	Kilometri stundā	IPX4	Aizsardzības klase

ŠAJĀ ROKASGRĀMATĀ IZMANTOTIE APZĪMĒJUMI



Informācija ir jāņem vērā



Norādītā darbība tiek pārtraukta

SPECIFIKĀCIJAS

Spriegums	56 V	
Pļaušanas bloka izmērs	98 cm	
Aizmugurējā riteņa izmērs	Priekšā	15 x 6 – 6 collas
	Aizmugure	18 x 7,5 – 8 collas
Spiediens aukstās rieņās	Priekšā	96,5 kPa
	Aizmugure	170 kPa
Asmens griešanās ātrums (RPM)	Līdz 3000	
Maksimālais braukšanas ātrums	Uz priekšu	Līdz 9,6 km/h
	Atpakaļgaitā	līdz 4,8 km/h
Pļaušanas augstuma regulēšana (12 pozīcijas)	25 līdz 100 mm	
Uzlādes temperatūras diapazons	5 °C līdz 40 °C	
Darba temperatūra	0 °C – 40 °C	
Uzglabāšanas temperatūra	-20 °C līdz 70 °C	
Svars (bez akumulatoru bloka)	220 kg	
Izmērītais skaņas jaudas līmenis L_{WA}	97,7 dB(A) K=1,75 dB(A)	
Trokšņa spiediena līmenis pie lietotāja auss L_{PA}	83,6 dB(A) K=3 dB(A)	
Garantētais skaņas intensitātes līmenis L_{WA} (mērīts saskaņā ar 2000/14/EK)	100 dB(A)	
Vibrācijas a_h	Plauksta	0,24 m/s ² K=1,5 m/s ²
	Ķermenis	0,18 m/s ² K=1,5 m/s ²

- Norādītā vibrāciju kopējā vērtība ir izmērīta saskaņā ar standarta pārbaudes metodi un var tikt izmantota, lai salīdzinātu vairākus instrumentus.
- Deklarēto vibrāciju emisijas vērtību var arī lietot iepriekšējai vibrāciju iedarbības novērtēšanai.

PIEZĪME! Vibrāciju emisijas faktiskajā elektroinstrumenta darbināšanas laikā var atšķirties no norādītās vērtības. Lai pasargātu operatoru, lietotājam jāvalkā cimdi un dzirdes aizsarglīdzekļi atbilstoši faktiskajiem darba apstākļiem.

IETEICAMIE PIEDERUMI

▲ BRĪDINĀJUMS! Izmantojiet tikai turpmāk norādītos piederumus. Oriģinālā aprīkojuma specifikācijām neatbilstošu daļu izmantošana var radīt nepareizu mašīnas darbību un apdraudēt jūsu drošību.

DAĻAS NOSAUKUMS	MODEĻA NUMURS
Savācējasmēņu komplekts	AB3801TD
Mulčēšanas ieliktnis	AMP3800T

APRAKSTS

PĀRZINIET SAVU TRAKTORU (A1 Attēls)

- Sēdekļis
- Krūžu turētāji
- Aizmugurējais ritenis (piedziņas ritenis) (x2)
- Mazgāšanas pieslēgvietā (x2)
- Pļaušanas bloks
- Aizsargritenis (x2)
- Priekšējais ritenis (x2)
- Priekšējais amortizators
- Stāvbremzes pedālis
- LED priekšējās spuldzes (x2)
- Barošanas bloks
- Uzglabāšanas nodalījums
- Stāvbremzes bloķēšanas svira
- Stūres rats
- Sēdekļa pozīcijas regulēšanas svira
- Zāles savācējmaiss

17. Uzlādes pieslēgvietā
18. USB ports
19. Uzglabāšanas grozs
20. Akseleratora pedālis
21. Pļaušanas bloka augstuma regulēšanas svira
22. Izgāšanas svira
23. Rokturis
24. Traktora statusa indikators
25. Asmens griešanās ātruma regulēšanas poga
26. PĻAUŠANAS ATPAKAĻGAITĀ poga
27. Poga „Start/Stop” (Iedarbināt/Apturēt)
28. Virziena vadības svira
29. Drošības atslēga
30. PTO slēdzis
31. CCS poga
32. LED apgaismojuma poga / Bluetooth poga
33. Braukšanas ātruma regulēšanas poga
34. Barošanas bloka vāciņa atbrīvošanas poga
35. Barošanas bloka vāciņš
36. Barošanas bloks ar sešiem akumulatoru nodalījumiem
37. Akumulatora atbrīvošanas poga

LCD EKRĀNA IEPAZĪŠANA (A2. Attēls)

Sīkāku informāciju par LCD ekrāna ikonām un indikatoriem skatiet sadaļā „TRAKTORA STATUSS” un „KĻŪDU KODI”.

1. CCS ikona
2. Drošības ierīces statusa indikators
3. Ikona PĻAUŠANA ATPAKAĻGAITĀ IZSLĒGTA
4. Piedziņas ikona
5. Atpakaļgaitas ikona
6. Drošības atslēgas ikona
7. LED apgaismojuma ikona
8. Bluetooth ikona
9. Asmens rotācijas ātruma indikators
10. Stundu skaitītājs
11. Degvielas mērītājs
12. Temperatūras ikona
13. Brīdinājuma ikona (pārslodze/zema jauda)
14. Brīvā akumulatora nodalījuma ikona
15. Aizņemta akumulatora nodalījuma ikona
16. Kļūdu kodu indikators
17. Slodzes indikators
18. Braukšanas ātruma indikators
19. Pilna savācējmaisa ikona
20. Nav savācējmaisa ikona

IZPAKOŠANA

PIEZĪME! Neizmetiet iepakojuma materiālu, kamēr neesat rūpīgi pārbaudījis, vai produkts darbojas apmierinoši. Ja iepakojuma sarakstā kāda no esošajām daļām plāvējam jau ir uzstādīta, lūdzu, nekavējoties sazinieties ar EGO servisa daļu.

PIEZĪME! Visi instrumenti, izņemot iepakojuma sarakstā norādītos, ir tikai ieteiktie instrumenti, un tādēļ tie nav iekļauti komplektācijā.

IEPAKOJUMA SATURA SARAKSTS (B Attēls)

B-1	Elektriskais zāles pļaušanas traktors	B-2	Sēdekļis
B-3	Stūres rats	B-4	Putekļu aizsargvāciņš
B-5	Kombinētās uzgriežņu atslēgas	B-6	18 mm uzgriežņu atslēga
B-7	Seškanšu skrūves (1 rezervei)	B-8	M8 uzgriežņi (1 rezervei)
B-9	M12 uzgriežņi (1 rezervei)	B-10	Paplāksnes (1 rezervei)
B-11	Drošības atslēga	B-12	Mazgāšanas pieslēgvietas ātrais savienotājs
B-13	Lietotāja rokasgrāmata	B-14	Zāles savācējmaiss (ar diviem skrūvju un uzgriežņu komplektiem sānu kronšteinis)
B-15	U veida kronšteins	B-16	Sānu kronšteins
B-17	Izgāšanas svira	B-18	Kreisā un labā savācējmaisa atbalsta kronšteins
B-19	Šķērsstienis	B-20	M8X40 skrūve
B-21	M8X25 skrūve	B-22	M8 uzgrieznis

MONTĀŽA

LV

STŪRES RATA UZSTĀDĪŠANA (C1 Attēls)

C1-1	Stūres statnis	C1-2	Stūres rats
C1-3	Centra līnija	C1-4	Paplāksne
C1-5	Uzgrieznis	C1-6	18 mm uzgriežņu atslēga
C1-7	Putekļusargs		

SĒDEKĻA UZSTĀDĪŠANA (C2 Attēls)

▲ BRĪDINĀJUMS! Drošības bloķēšanas sistēmu nav atļauts atvienot vai apiet. Pretējā gadījumā traktors var negaidīti ieslēgties, izraisot miesas bojājumus.

C2-1	Sēdekļis	C2-2	Uzgrieznis (M8)
C2-3	Seškanšu skrūve	C2-4	Kontaktligzda
C2-5	Spraudnis		

ZĀLES SAVĀCĒJMAISA UZSTĀDĪŠANA (C3 – C8 Attēls)

C3-1	U veida kronšteins	C3-2	Savācējmaiss
C3-2	4 skrūvju un uzgriežņu komplekti (M8 X 40)	C3-4	Kombinētā uzgriežņu atslēga
C4-1	Sānu kronšteini	C4-2	4 skrūvju un uzgriežņu komplekti (M8 X 40)
C4-3	Kombinētā uzgriežņu atslēga	C5-1	Izgāšanas svira
C5-2	1 skrūvju un uzgriežņu komplekts (M8 X 40)	C5-3	Kombinētā uzgriežņu atslēga
C6-1	Savācējmaisa atbalsta kronšteini	C6-2	4 skrūvju un uzgriežņu komplekti (M8 X 25)
C6-3	Kombinētās uzgriežņu atslēgas	C7-1	Šķērssstienis
C7-2	2 uzgriežņi (M8)	C7-3	Kombinētā uzgriežņu atslēga

REGULĒŠANA

PIRMS REGULĒŠANAS (D1 Attēls)

PLĀUŠANAS BLOKA AUGSTUMA REGULĒŠANA (D2 Attēls)

AIZSARGRITEŅU NOREGULĒŠANA (D3 – D6 Attēls)

D3-1	Aizsargriteņi	D5-1	Uzgrieznis
D5-2	Uzgriežņu bulskrūve	D6-1	Plāušanas bloka augstuma atzīmes etiķete

SĒDEKĻA REGULĒŠANA (D7 Attēls)

D7-1	Sēdekļa pozīcijas regulēšanas svira
------	-------------------------------------

LV EKSPLUATĀCIJA

PIRMS EKSPLUATĀCIJAS UZSĀKŠANAS (E1 Attēls)

STĀVBREMZES UZSTĀDĪŠANA (E2 Attēls)

E2-1	Stāvbremzes pozīcija	E2-2	Atlaistu bremžu stāvoklis
------	----------------------	------	---------------------------

⚠ BRĪDINĀJUMS! AR STĀVBREMZES PEDĀLI NEVAR SAMAZINĀT BRAUKŠANAS ĀTRUMU. BRAUKŠANAS LAIKĀ NEKAD NEMĒĢINIET NOSPIEST STĀVBREMZES PEDĀLI, LAI SAMAZINĀTU BRAUKŠANAS ĀTRUMU. JA STĀVBREMZES PEDĀLIS IR NOSPIESTS, BET NAV IESLĒGTS STĀVBREMZES POZĪCIJĀ, ELEKTRISKĀ BREMZE VAIRS NEDARBOSIES UN TRAKTORS PĀRTRAUKS KUSTĪBU UZ LĪDZENAS VIRSMAS. TOMĒR, JA TAS NOTIEK, ATRODOTIES SLĪPUMĀ, TRAKTORS VAR NOSLĪDĒT LEJUP PA NOGĀZI PĒC STĀVBREMZES PEDĀĻA ATLAIŠANAS.

⚠ BRĪDINĀJUMS! LAI AVĀRIJAS GADĪJUMĀ TO IESLĒGTU STĀVBREMZES POZĪCIJĀ, PAVELCIET STĀVBREMZES BLOKĒŠANAS SVIRU UN NEKAVĒJOTIES NOSPIEDIET STĀVBREMZES PEDĀLI; TRAKTORS NEKAVĒJOTIES APSTĀSIES UN NESLĪDĒS LEJUP PA NOGĀZI.

AKUMULATORU BLOKA IEVIETOŠANA/IZŅEMŠANA (E3 – E6 Attēls)

Lai iedarbinātu šo traktoru, nepieciešami EGO akumulatori, kuru kopējā jauda ir 15 Ah (2 X BA4200/BA4200T) vai vairāk. Lai plāvējs darbotos ar vislabāko veiktspēju, iesakām izmantot EGO akumulatorus, kuru kopējā jauda ir 30 Ah vai vairāk.

E3-1	Pārsega atbrīvošanas poga	E5-1	Akumulatora atbrīvošanas poga
------	---------------------------	------	-------------------------------

TRAKTORA UZLĀDE

Izmantojiet tikai kopā ar ieteikto akumulatoru blokiem un lādētājiem.

- Atsevišķa akumulatoru bloka(-u) uzlāde (E7 attēls)

PIEZĪME! Lai uzzinātu, kā pareizi veikt uzlādi, izlasiet attiecīgā akumulatora un lādētāja rokasgrāmatu.

- Akumulatoru bloku uzlāde caur uzlādes pieslēgvietu (E8 – E10 attēls)

E10-1	Putekļu aizsargvāciņš	E10-2	Uzlādes pieslēgvietā
-------	-----------------------	-------	----------------------

DROŠĪBAS BLOKĒŠANAS SISTĒMAS PĀRBAUDE

- Lai pārbaudītu bloka lāpstiņu sistēmu (E11 – E12 attēls)
- Lai pārbaudītu piedziņas sistēmu (E13 – E14 attēls)

Ja plāušanas bloka asmeņu sistēma un/vai piedziņas sistēma neapstājas, operatoram atrodies sēdekļī, un ja cēloni nevar noteikt pēc tam, kad ir apstiprināts, ka sēdekļa kontaktdakša ir kārtīgi iesprausta kontaktlīdzdā, nekavējoties sazinieties ar savu EGO klientu apkalpošanas centru.

KOMUNIKĀCIJAS TEHNOLOĢIJA

Lai iegūtu informāciju vai saņemtu mūsu savienojamo izstrādājumu un pakalpojumu pilnu klāstu, tostarp savienojuma izveides instrukcijas, lūdzam noskenēt tālāk norādīto QR kodu vai apmeklēt tīmekļa vietni www.egopowerplus.eu/connect.



KONTROLSARAKSTS PIRMS PLĀUJMAŠINAS LIETOŠANAS

- Pārliedzieties, vai darba zonā neatrodas bērni, citi klātesošie un mājdzīvnieki.
- Attīrīet darba zonu no jebkādiem priekšmetiem, kurus var atsviest traktora asmeņi.
- Iztīrīet no traktora grūzus.
- Pārbaudiet, vai nav atskrūvējies kāds stiprinājums.
- Pārbaudiet, vai visi aizsargi atrodas savās vietās un darbojas pareizi.

- Vizuāli pārbaudiet, vai riepas nav tukšas.
- Pārbaudiet bremžu darbību.
- Noregulējiet bloka augstumu nepieciešamajā pļaušanas pozīcijā, kas ir vispiemērotākā zālienam, un attiecīgi noregulējiet aizsargriteņus.
- Noregulējiet sēdekļa stāvokli un pārbaudiet, vai var aizsniegt abus pedāļus.
- Pārbaudiet akumulatora uzlādes līmeni.
- Pārbaudiet drošības bloķēšanas sistēmu.
- Ievietojiet zāles savācējmaisu ir pareizi.

TRAKTORA IEDARBINĀŠANA (E15 – E16 Attēls)

▲ BRĪDINĀJUMS! Izvairieties no pēkšņas traktora iedarbināšanas, apturēšanas un straujiem pagriezieniem, un nebrauciet ar pārāk lielu ātrumu, it īpaši, ja mēcāties darbināt traktoru pirmo reizi. Traktors var ātri pagriezties, kā rezultātā jūs varat zaudēt vadību un gūt nopietnas traumas un/vai traktora bojājumus.

▲ BRĪDINĀJUMS! Pirms traktora iedarbināšanas pārbaudiet un pārliecinieties, vai asmeņi ir atvienoti, nospiežot jūgvārpstas (PTO) slēdzi uz leju 5. sekunžu laikā. Ja asmeņi neapstājas, neizmantojiet traktoru un nekavējoties sazinieties ar EGO klientu servisu.

PIEZĪME!

- Ja stāvbremzes pedālis ir ieslēgts stāvbremzes pozīcijā, pirms braukšanas ar traktoru nepieciešams tikai uz 3 sekundēm nospiegt iedarbināšanas/apturēšanas pogu, lai iedegtos LCD ekrāns, un pēc tam atļaut stāvbremzes pedāli.
- Pļaušanas asmeņus var iedarbināt jebkurā laikā, tiklīdz LCD ekrāns pilnībā izgaismojas un virziena vadības svira nav pagriezta atpakaļ „R” virzienā. Lai ieslēgtu asmeņus, traktoram braucot atpakaļgaitā, izlasiet šīs rokasgrāmatas sadaļu „**ASMEŅU IESLĒGŠANA, TRAKTORAM BRAUCOT ATPAKAĻGAITĀ**”.

PIEZĪME! Apskatiet E17 attēlu, lai pārslēgtu zemāko braukšanas ātrumu, kamēr jūs pilnībā nebūsit apguvis traktora izmantošanas iemaņas jebkurā situācijā.

Elektriskais zāles pļaušanas traktors neveic braukšanas ātruma un asmeņu ātruma iestatījumu iegaumēšanu. Katru reizi, kad traktors tiks ieslēgts, braukšanas ātrums un asmeņu ātrums atgriezīsies 2. līmenī.

Braukšanas ātruma regulēšana (E17 attēls)

Asmeņu griešanās ātruma regulēšana (E18 attēls)

PIEZĪME. Atrodoties „3. līmenī”, vēlreiz nospiediet asmeņu ātruma regulēšanas pogu, un asmeņu ātrums atsāks darboties ar iepriekšējo ātrumu.

LED apgaismojums (E19 attēls)

- LED priekšējās spuldzes var ieslēgt un izslēgt ar LED apgaismojuma slēdzi.

USB ports

PIEZĪME! USB pieslēgvietā nodrošina 5 voltu līdzstrāvas uzlādes jaudu un 1,5 ampērus, un aktivizējas tikai tad, kad tiek iedarbināts traktors.

TRAKTORA APTURĒŠANA (E20 Attēls)

▲ BRĪDINĀJUMS! Kad traktors pārtrauc braukt pa nogāzi, vienmēr ieslēdziet stāvbremzes pedāli stāvbremzes pozīcijā, pretējā gadījumā traktors var noslidēt pa nogāzi, kas var izraisīt nopietnus traktora bojājumus vai traumas!

PIEZĪME! Situācijā, kad stāvbremzes pedālis ir ieslēgts stāvbremzes pozīcijā un operators ir pacēlies no sēdekļa, bet akumulatoru bloki nav izņemti:

- ja LCD ekrāns ir izslēgts, akumulatora indikatori, ieslēgšanas/izslēgšanas poga un CCS poga deg vēl 1 stundu;
- ja LCD ekrānā tiek rādīts „degvielas rādītājs” vai operatora saskarne, traktors pēc 1 stundas automātiski izslēdzas.

Ārkārtas darbības režīms

Kad akumulatora uzlādes līmenis kļūst kritiski zems, traktors pāriet ārkārtas darbības režīmā, lai saglabātu pietiekami daudz enerģijas, lai atgrieztos uzlādes zonā.

- Asmeņi pāriet uz zemo griešanās ātrumu, ar kuru var notīrīt tikai ļoti nelielu daudzumu zāles. Saskaroties ar garu un blīvu zāli, asmeņi pārstāj griezties. Periodiski atskanēs (pīkstēs) skaņas indikators.
- Traktora statusa indikators mirgos sarkanā krāsā ik sekundi, tāpat mirgos brīdinājuma ikona (zema jauda) un katra nodalījuma ikona, kurā ir ievietots akumulators.

Operatoram ir jārikojas šādi:

- Nospiediet jūgvārpstas slēdzi, lai izslēgtu asmens motoru. Kad asmens būs apstājies, pārstās skanēt skaņas indikators.
- Pārtrauciet darbu un pēc iespējas ātrāk dodieties uz uzlādes zonu. Maksimālais attālums, ko traktors var nobraukt, ir 1000 m.

Kad akumulators būs gandrīz izlādējies, ik pēc pussekundes iemirgosies brīdinājuma ikona (zema jauda) un katra nodalījuma ikona, kurā ir ievietots akumulators. Traktors nekavējoties pārtrauks darboties. Operatoram būs jāpārvieto traktors uz uzlādes zonu, lai to uzlādētu.

UZMANĪBU! Ja traktors ir jāstumj manuāli, vispirms atvienojiet no traktora akumulatorus un atlaidiet stāvbremzes pedāli no bremzēšanas stāvokļa.

BRAUKŠANAS AR TRAKTORU (E21 Attēls)

▲ BĪSTAMI! Ieturiet distanci vismaz divu pļaušanas platumu attālumā no grāvjiem, nomalēm vai ūdens. Priekšējie riteņi var turpināt griezties arī tad, kad traktors ir apturēts, un ar ieslēgtu bremzi, kā rezultātā traktors var pārrīpot pāri malai vai iebraukt ūdenī, radot nāves vai smagu miesas bojājumu bīstamību.

▲ BRĪDINĀJUMS! Nebrauciet ar traktoru pa koplietošanas ceļiem.

▲ BRĪDINĀJUMS! Ja pļāvējā radies aizsprostojums vai jūs ar to atsitāties pret kādu svešķermeni, vispirms apturiet motoru un izņemiet akumulatorus. Izīriet zāles atgriezumus, lapas, netīrumus un citus sakrājušos gružus; pirms vēlreiz iedarbināt traktoru un uzsākt ar to braukt rūpīgi pārbaudiet, vai traktoram nav radušies bojājumi, un, ja nepieciešams, veiciet remontdarbus.

PIEZĪME!

- Braukšanas laikā, kad paceļaties no sēdekļa, traktora statusa indikators izslēdzas. Uzsākot braukšanu, apsēdieties atpakaļ uz sēdekļa un nospiediet stāvbremzes pedāli līdz galam, lai traktora statusa indikators iedegtos zaļā krāsā.
- Ja braukšanas laikā pārslēdzat braukšanas virzienu uz priekšu vai atpakaļ, virziena vadības svira ir jāpārvieto no viena gala līdz otram, neapstājoties neitrālā stāvoklī, pretējā gadījumā traktors var pārtraukt kustību.


KRUĪZA KONTROLES (CCS) IZMANTOŠANA



Kruīza kontroles (CCS) aktivizēšana (ieslēgšana) (E22 attēls)

UZMANĪBU! LCD ekrānā redzamais braukšanas ātruma līmenis var precīzi neatspoguļot traktora faktisko braukšanas ātrumu, braucot kruīza kontroles režīmā. Nospiediet ātruma regulēšanas pogu, lai „atsvaidzinātu” braukšanas ātruma līmeni LCD ekrānā.

Apturēt vai izslēgt kruīza kontroles (CCS) režīmu var kādā no trim veidiem:

- nospiediet akceleratora pedāli līdz galam un neatlaidiet; CCS funkcija apstāsies, un traktors turpinās braukt;
- nedaudz nospiediet akceleratora pedāli un pēc tam atlaidiet; traktors un CCS funkcija apstāsies.
- Nospiediet CCS pogu. traktors un CCS funkcija apstāsies.

PIEZĪME! Pēc CCS apturēšanas no LCD ekrāna pazūd ikona „” un divas reizes atskan signāls.

PIEZĪME! Traktors apstājas pēc stāvbremzes pedāļa nospiešanas, bet LCD ekrānā mirgo ikona „”, kas norāda, ka CCS ir gaidīšanas režīmā. Šādā gadījumā atlaidiet stāvbremzes pedāli, nospiediet CCS pogu. Traktors automātiski atsāks braukšanu, un ikona „” pārstās mirgot.

ASMENŪ IESLĒGŠANA, BRAUCOT ATPAKAĻGAITĀ.

LV

PIEZĪME! Pļaušana atpakaļgaitā nav ieteicama.

▲ BRĪDINĀJUMS! Pļaujot atpakaļgaitā, ievērojiet īpašu piesardzību. Vienmēr pārliecinieties, ka pirms pļaušanas atpakaļgaitā un tās laikā darba zonā neierodas cilvēki, īpaši mazi bērni.

▲ BRĪDINĀJUMS! Strādājot ar traktoru, kas aprīkots ar savācējmaisa komplektu, var tikt traucēta operatora redzamība. Pirms pļaušanas atpakaļgaitā un tās laikā vienmēr jāievēro īpaša piesardzība un jānovēro apkārtne.

PĻAUŠANAS ATPAKAĻGAITĀ aktivizēšana (ievadīšana) (E23)

PĻAUŠANAS ATPAKAĻGAITĀ apturēšanu vai iziešanu no tās var veikt kādā no četriem veidiem:

- vienreiz nospiediet pogu PĻAUŠANA ATPAKAĻGAITĀ;
- pacelieties no traktora sēdekļa;
- lai izslēgtu LCD ekrānu, nospiediet iedarbināšanas/apturēšanas pogu un pieturiet 3 sekundes;
- lai izslēgtu traktoru, izņemiet drošības atslēgu vai akumulatoru bloku(-us).

PIEZĪME! Kad PĻAUŠANA ATPAKAĻGAITĀ ir apturēta, LCD ekrānā iedegas ikona „”.

ZĀLES SAVĀCĒJMAISA IZTUKŠOŠANA (E24 Attēls)

PIEZĪME! Ja LCD ekrānā sāk mirgot „” ikona, tas nozīmē, ka zāles savācējmaiss ir pilns. Pēc savācējmaisa iztukšošanas ikona „” pazūd no LCD ekrāna.

PIEZĪME! Zāles savācējmaiss ir jāizņem un jāievieto traktorā pareizā veidā, pretējā gadījumā traktoru būs iespējams darbināt, tomēr asmeņu motori nedarboties.

APKOPE

▲ BRĪDINĀJUMS! Vienmēr valkājiet aizsargbrilles ar sānu aizsargiem. Pretējā gadījumā acis var tūpīt svešķermeņi un radīt smagas traumas.

▲ BRĪDINĀJUMS! Vienmēr sargājiet rokas, valkājot izturīgus cimdus vai aptinot asmens griezējmalas ar lupatiņu vai citu materiālu, ja traktora asmenim veiksiet apkopes darbus. Vienmēr izņemiet drošības atslēgu un akumulatoru blokus, ja traktoru pārvedīsiet uz citu vietu vai veiksiet apkopi.

IETEICAMĀS (-IE) APKOPES GRAFIKS (-I)

Apkopes un servisa intervāls	Apkopes procedūra
Pirms katras lietošanas reizes vai reizi dienā	<ul style="list-style-type: none"> ■ Drošības bloķēšanas sistēmas pārbaude. ■ Vizuāli pārbaudiet, vai riepas nav tukšas. ■ Pārbaudiet asmeņus. ■ Pārbaudiet visu zāles plāvēju, vai tam nav kādu bojātu, trūkstošu vai atskrūvējušos daļu, piemēram, sānu izlādes tekne, skrūves, uzgriežņi, bultskrūves, vāciņi utt., un pārliecinieties, vai visi aizsargi atrodas savās vietās un darbojas pareizi. ■ Pārbaudiet un pārliecinieties, vai akceleratora pedāli var pareizi nospiegt un atlaist. ■ Pārbaudiet stūres rata amortizatoru. Stūres ratam ir jāgriežas ar noteiktu pretestību.
Pēc katras lietošanas reizes	<ul style="list-style-type: none"> ■ Notīriet traktoru un nomazgājiet pļaušanas bloku.
Ik pēc 25h	<ul style="list-style-type: none"> ■ Pārbaudiet spiedienu riepās.
Ik pēc 100h	<ul style="list-style-type: none"> ■ Pārbaudiet aizmugurējos riteņus un pārliecinieties, vai visi uzgriežņi ir pieskrūvēti ar ieteikto griezes momentu (101-103 Nm). ■ Pārbaudiet aizmugurējos riteņus un pārliecinieties, vai uzgrieznis ir pieskrūvēts ar ieteikto griezes momentu (90-92 Nm).
Ik pēc 200h	<ul style="list-style-type: none"> ■ Pārbaudiet priekšējos riteņus un pārliecinieties, vai tie brīvi griežas.

Reizi pusgadā	<ul style="list-style-type: none"> Pārbaudiet stāvbremzes pedāli. Atvienojiet akumulatoru no traktora, pēc tam paceliet stāvbremzes bloķēšanas sviru un nospiediet stāvbremzes pedāli, lai ieslēgtu stāvbremzi. Manuāli pastumiet traktoru uz priekšu, lai pārlicinātos, vai traktoru var pārvietot bez aizmugurējo riteņu griešanās. Ja traktors kustas un vienlaikus griežas aizmugurējie riteņi, sazinieties ar EGO klientu apkalpošanas centru, lai veiktu remontu.
Pirms uzglabāšanas	<ul style="list-style-type: none"> Izņemiet no traktora akumulatorus. Izņemiet no traktora drošības atslēgu. Veiciet visas iepriekš minētās apkopes procedūras un rūpīgi izfīriet traktoru. Pārbaudiet visu plāvēju, vai tam nav kādu bojātu, trūkstošu vai atskrūvējušos daļu, un nomainiet vai pieskrūvējiet attiecīgās daļas pirms novietošanas uzglabāšanā.
Reizi gadā	<ul style="list-style-type: none"> Ieeļļojiet priekšējo riteņu vārpstu uzmavas.

VISPĀRĒJĀ APKOPE

Zāles iztukšošana (F1 – F3 attēls)

Traktora korpusa tīrīšana (F4 attēls)

Traktora korpusa tīrīšanai izmantojiet mazgāšanas pieslēgvietu (F5 – F6 attēls)

F5-1	Mazgāšanas ports	F5-2	Mazgāšanas porta ātrais savienotājs
F5-3	Dārza šūtene		

PIEZĪME! Pabeidzot tīrīšanu, pilnībā izslēdziet traktoru un pēc tam noņemiet dārza šūteni un ātro savienotāju.

TRAKTORA PĻAUŠANAS BLOKA UN GRIEZĒJASMEŅU APKOPE

Sagatavošana (G1 attēls)

Pļaušanas bloka izņemšana (G2 – G3 attēls)

G2-1	Motora kabelis	G2-2	Šķelttapa
G2-3	Balstiekārtas savienojums		

Griezējasmēņu nomaiņa (G4 – G6 attēls)

G4-1	Stabilizators	G5-1	Bultskrūve
G5-2	Paplāksne	G5-3	Asmens
G5-4	Atloks	G5-5	Motora vārpsta

Pļaušanas bloka līmeņa izlīdzināšana

- Kad nepieciešams izlīdzināt (G7 / G8 / G9 attēls)**
- Pirms izlīdzināšanas**
 - Spiediena pārbaude aukstās riepās (G10 attēls)
 - Pārbaudiet griezējasmēņus. Ja nepieciešams, noņemiet un nomainiet nodilušos, saplaisājušos un/vai saliektos asmeņus.
- Sagatavošana izlīdzināšanai (G11 attēls)**
- Kā izlīdzināt**
 - Regulēšana no vienas puses uz otru (G12 attēls)
 - Regulēšana no priekšas uz aizmuguri (G13 attēls)

UZGLABĀŠANA UN TRANSPORTĒŠANA

TRAKTORA TRANSPORTĒŠANA (H1 – H5 Attēls)

H2-1	Rampas	H2-2	Siksnas
------	--------	------	---------

PIEZĪME! Lai novērstu pārvietošanas transportēšanas laikā, nostipriniet traktoru, izmantojot siksnas vai kabeļus.

UZGLABĀŠANA (I1 – I2 Attēls)

PIEZĪME! Izņemiet un uzglabājiet akumulatoru bloku(-us) atsevišķi, izlasiet informāciju attiecīgajās rokasgrāmatās.

Pirms uzglabāšanas izfīriet un pārbaudiet plāvēju, izlasiet sadaļas „VISPĀRĒJĀ APKOPE” un „IETEICAMĀIS (-IE) APKOPES GRAFIKS(-I)”.

Apkārtējās vides aizsardzība



Direktīva par elektrisko un elektronisko iekārtu atkritumiem (EEIA) Neutilizējiet elektrisko aprīkojumu, izlietoto akumulatoru un lādētāju sadzīves atkritumos. Nogādājiet šo izstrādājumu uz pilnvarotu pārstrādes punktu un sagatavojiet atkritumu šķirošanai. Elektriskos instrumentus jānogādā videi nekaitīgā pārstrādes rūpnīcā.

LV

PROBLĒMU MEKLĒŠANA UN NOVĒRŠANA

PROBLĒMA	CĒLONIS	RISINĀJUMS
Elektriskais zāles pļaušanas traktors nebrauc pēc akceleratora pedāļa nospiešanas.	<ul style="list-style-type: none"> Kopējā ievietoto akumulatoru Ah vērtība neatbilst prasībām. 	<ul style="list-style-type: none"> Lai iedarbinātu šo traktoru, izmantojiet pietiekami daudz EGO akumulatoru, ievērojot norādījumus, kas sniegti šīs rokasgrāmatas sadaļā „AKUMULATORU BLOKA IEVIETOŠANA/IZŅEMŠANA”.
	<ul style="list-style-type: none"> Stāvbremzes pedālis ir ieslēgts bremzēšanas stāvoklī. 	<ul style="list-style-type: none"> Nospiediet stāvbremzes pedāli līdz galam, lai to atbrīvotu no bremzēšanas stāvokļa.
	<ul style="list-style-type: none"> Traktora stāvokļa indikators nedeg zaļā krāsā. 	<ul style="list-style-type: none"> Nospiediet stāvbremzes pedāli un pēc tam atlaidiet to. Traktora statusa indikators mirgos zaļā krāsā, kas nozīmē, ka traktors ir gatavs palaišanai.
	<ul style="list-style-type: none"> Operators neatrodas uz sēdekļa. 	<ul style="list-style-type: none"> Traktoru var darbināt tikai tad, ja operators ir pareizi apsēdies uz sēdekļa.
	<ul style="list-style-type: none"> Sēdekļa drošības bloķēšanas sistēma nav pareizi savienota. 	<ul style="list-style-type: none"> Izņemiet akumulatorus no traktora un paceliet sēdekļa aizmuguri uz augšu, lai pārliecinātos, ka kabeļa kontaktdakša ir pareizi savienota ar kontaktligzdu zem sēdekļa (skatīt nodaļu „SĒDEKĻA UZSTĀDĪŠANA”). Lai vēlreiz iedarbinātu traktoru, lai pārliecinātos, ka to var iedarbināt, izpildiet norādījumus, kas sniegti sadaļā „TRAKTORA IEDARBINĀŠANA”. Vai arī sazinieties ar EGO klientu apkalpošanas centru, lai veiktu remontu.
	<ul style="list-style-type: none"> Īpaši aukstā laikā braukšanas funkcija var nedarboties pietiekami labi zemās temperatūras aizsardzības dēļ. 	<ul style="list-style-type: none"> Vienmēr uzglabājiet traktoru un akumulatorus siltā vidē. Kad traktors ir uzsilis, iedarbiniet to vēlreiz. Nemēģiniet to atkārtot aukstā laikā, jo tas var sabojāt pļāvēju.
	<ul style="list-style-type: none"> Akseleratora pedāļa pārvietošanās trajektorija ir aizsērējusi ar gružiem. 	<ul style="list-style-type: none"> Pārbaudiet un iztīriet gružus
	<ul style="list-style-type: none"> Akseleratora pedāļa mehānisko vai elektronisko komponentu kļūme. Virziena vadības svira ir novietota neitrālā stāvoklī. 	<ul style="list-style-type: none"> Sazinieties ar EGO klientu apkalpošanas centru, lai veiktu remontu. Nospiediet/velciet virziena vadības sviru „D” vai „R” virzienā.

PROBLĒMA	CĒLONIS	RISINĀJUMS
Elektriskais zāles pļaušanas traktors pārtrauc braukšanu.	<ul style="list-style-type: none"> Kad braukšanas laikā tiek mainīts braukšanas virziens uz priekšu un atpakaļ, virziena vadības svira ilgstoši atrodas neitrālā stāvoklī. 	<ul style="list-style-type: none"> Atļaidiet akceleratora pedāli un pēc tam vēlreiz nospiediet.
	<ul style="list-style-type: none"> Akceleratora pedāļa elektronisko komponentu kļūme. 	<ul style="list-style-type: none"> Sazinieties ar EGO klientu apkalpošanas centru, lai veiktu remontu.
	<ul style="list-style-type: none"> Braucot pa nelīdzenu reljefu, atvienojās sēdekļa drošības bloķēšanas sistēma. 	<ul style="list-style-type: none"> Izņemiet akumulatorus no traktora un paceliet sēdekļa aizmuguri uz augšu, lai pārļiecinātos, ka kabeļa kontaktdakša ir pareizi savienota ar kontaktlīdzdu zem sēdekļa (skatīt nodaļu „SĒDEKĻA UZSTĀDĪŠANA”). Lai vēlreiz iedarbinātu traktoru, lai pārļiecinātos, ka to var iedarbināt, izpildiet norādījumus, kas sniegti sadaļā „TRAKTORA IEDARBINĀŠANA”. Vai arī sazinieties ar EGO klientu apkalpošanas centru, lai veiktu remontu.
	<ul style="list-style-type: none"> Operatora svars nav vienmērīgi sadalīts uz sēdekļa. Operatora svaram uz sēdekļa ir jābūt vismaz 20 kg, lai sēdekļa drošības bloķēšanas sistēma darbotos pareizi 	<ol style="list-style-type: none"> Pareizi apsēdieties uz sēdekļa, nospiediet stāvbremzes pedāli līdz galam un atļaidiet, pēc tam traktors būs gatavs braukšanai. Ja nepieciešams, izņemiet un pēc tam vēlreiz ievietojiet akumulatorus.
	<ul style="list-style-type: none"> Kad stāvbremzes pedālis ir nospiests, bet ne stāvēšanas pozīcijā, traktors apstājas. 	<ul style="list-style-type: none"> Lai vēlreiz iedarbinātu traktoru, izpildiet norādījumus, kas sniegti sadaļā „TRAKTORA IEDARBINĀŠANA”.
Elektriskais zāles pļaušanas traktors nespēj iedarbināt asmeņus pēc PTO slēdža ieslēgšanas. Mirgo jūgvārpstas slēdža ikona	<ul style="list-style-type: none"> Kopējā ievietoto akumulatoru Ah vērtība neatbilst prasībām. 	<ul style="list-style-type: none"> Lai iedarbinātu šo traktoru, izmantojiet pietiekami daudz EGO akumulatoru, ievērojot norādījumus, kas sniegti šīs rokasgrāmatas sadaļā „AKUMULATORU BLOKA IEVIETOŠANA/IZŅEMŠANA”.
	<ul style="list-style-type: none"> Kad traktors pēdējo reizi tika izslēgts, jūgvārpstas slēdzis netika nospiests. 	<ul style="list-style-type: none"> Nospiediet jūgvārpstas slēdzi un vēlreiz ieslēdziet asmeņu motorus.
	<ul style="list-style-type: none"> Traktors tiek pārslogots brīdī, kad sāk griezties asmeņi, kā rezultātā aktivizējas motora paš aizsardzība. 	<ul style="list-style-type: none"> Vispirms sāciet pļaut zāli ar zemāku asmens apgriezību skaitu un, tiklīdz asmeņi sāk pietiekami labi griezties, paātriniet ātrumu pēc nepieciešamības.
	<ul style="list-style-type: none"> Īpaši aukstā laikā asmens motors var nedarboties pietiekami labi zemās temperatūras aizsardzības dēļ. 	<ul style="list-style-type: none"> Vienmēr uzglabājiet traktoru un akumulatorus siltā vidē. Kad traktors ir uzsilis, iedarbiniet to vēlreiz. Nemēģiniet to atkārtot aukstā laikā, jo tas var sabojāt pļāvēju.
	<ul style="list-style-type: none"> Asmens saskaras ar deformēto traktora pļaušanas bloku 	<ul style="list-style-type: none"> Sazinieties ar EGO klientu apkalpošanas centru, lai veiktu remontu.
	<ul style="list-style-type: none"> Zāles savācējmaiss nav pareizi uzstādīts. 	<ul style="list-style-type: none"> Pareizi uzstādiet zāles savācējmaisu, ievērojot rokasgrāmatas sadaļā „ZĀLES SAVĀCĒJMAISA UZSTĀDĪŠANA” esošos norādījumus.

PROBLĒMA	CĒLONIS	RISINĀJUMS
Zāles pļaušanas laikā pārstāj griezties asmeņi.	<ul style="list-style-type: none"> Traktors ir pārslogots. 	<ul style="list-style-type: none"> Lai samazinātu traktora slodzi, paceliet bloka pļaušanas augstumu vai samaziniet braukšanas ātrumu.
	<ul style="list-style-type: none"> Pļaušanas bloks ir aizsērējis ar zāli un grūžiem. 	<ul style="list-style-type: none"> Noīriet traktoru un pārliecinieties, vai asmeņi var brīvi kustēties.
	<ul style="list-style-type: none"> Traktors ir pārkarsis. 	<ul style="list-style-type: none"> Samaziniet uz traktora slodzi, paaugstinot bloka pļaušanas augstumu vai samazinot asmeņu/braukšanas ātrumu, un ļaujiet traktoram atdzist.
	<ul style="list-style-type: none"> Traktora akumulatoru nodalījumā esošais(-ie) akumulatoru bloks(-i) ir pārkarsis(-uši), kā rezultātā visu ievietoto akumulatoru Ah jauda neatbilst prasībām. 	<ol style="list-style-type: none"> Traktors var turpināt darbu, ja kopējā akumulatoru Ah jauda, izņemot gadījumus, kad akumulatori ir pārkarsuši, atbilst prasībām. Tiklīdz pārkarsušais akumulators atgriezīsies normālā temperatūrā, tas nekavējoties sāks traktora uzlādi. Ja kopējā akumulatoru Ah jauda neatbilst prasībām, traktors nedarbosies, kamēr brīvajos akumulatoru nodalījumos nebūs ievietots vairāk akumulatoru. Samaziniet uz traktora slodzi, paaugstinot bloka pļaušanas augstumu vai samazinot pļaušanas ātrumu, atsākot darbu.
	<ul style="list-style-type: none"> Traktors ir pārgājis ārkārtas darbības režīmā. 	<ul style="list-style-type: none"> Kad traktors ir pārgājis ārkārtas darbības režīmā, asmeņi tiek automātiski pārslēgti zemā rotācijas ātrumā. Operatoram ir jāpārtrauc darbs, jāapstājas un pēc iespējas ātrāk jādodas uz akumulatora uzlādes zonu.
	<ul style="list-style-type: none"> Traktors ir ietriecies svešķermenī, kā rezultātā aktivizējusies motora paš aizsardzības funkcija. 	<ul style="list-style-type: none"> Nospiediet jūgvārpstas slēdzi un vēlreiz ieslēdziet asmeņu motorus.
	<ul style="list-style-type: none"> Traktors pārvietojas atpakaļgaitā, un LCD ekrānā iedegas ikona PLĀUŠANA ATPAKAĻGAITĀ IZSLĒGTA. 	<ul style="list-style-type: none"> Nospiediet jūgvārpstas slēdzi uz leju un vēlreiz ieslēdziet asmeņu motorus, ievērojot sadaļā „PLĀUŠANAS ATPAKAĻGAITĀ aktivēšana (ieslēgšana)” sniegtos norādījumus.
<div style="background-color: black; color: white; padding: 2px; display: inline-block;">LV</div> Turpina skanēt audio indikators.	<ul style="list-style-type: none"> Traktors pārgājis ārkārtas darbības režīmā, un asmeņi nav izslēgti. 	<ul style="list-style-type: none"> Nospiediet jūgvārpstas slēdzi, lai izslēgtu asmeņu motorus. Kad asmeņu motori ir izslēgti, skaņas indikators pārtrauc skanēt.
	<ul style="list-style-type: none"> Traktors pārtrauc braukt slīpumā, operators ir izkāpis no sēdekļa, nospiežot stāvbremzes pedāli bremzēšanas stāvoklī. 	<ul style="list-style-type: none"> Pirms došanās projām no traktora, kurš atrodas slīpumā, ieslēdziet stāvbremzes pedāli stāvbremzes pozīcijā.
Izslēdzot traktoru, joprojām deg akumulatoru barošanas indikatori.	<ul style="list-style-type: none"> Ja traktors tiek izslēgts, atrodoties uz līdzenas virsmas, un no traktora netiek izņemti akumulatoru bloki, akumulatora indikatori vēl degs kādu laiku. 	<ul style="list-style-type: none"> Nekas cits nav jādara. Kad traktors pēc noteikta laika būs izslēdzies, nodzīsīs akumulatoru indikatori. Lai noskaidrotu konkrētu laiku, izlasiet sadaļu „TRAKTORA APTURĒŠANA”.
	<ul style="list-style-type: none"> Ja traktors tiek izslēgts, atrodoties slīpumā un neieslēdzot stāvbremzi bremzēšanas stāvoklī, akumulatoru bloka indikatori degs tik ilgi, kamēr nebūs izlādējies akumulators. Vienlaikus turpina pīkstēt skaņas indikators. 	<ul style="list-style-type: none"> Pirms došanās projām no traktora, kurš atrodas slīpumā, ieslēdziet stāvbremzes pedāli stāvbremzes pozīcijā. Pretējā gadījumā traktors var noslīdēt pa nogāzi.

PROBLĒMA	CĒLONIS	RISINĀJUMS
LCD ekrāns neizgaismojas ar ieslēgtām ikonām.	<ul style="list-style-type: none"> Iedarbināšanas/apturēšanas pogas nospiešanas laiks nav pietiekams. 	<ol style="list-style-type: none"> LCD ekrānā „Degvielas mērītājs” būs redzams tikai tad, ja īslaicīgi tiks nospiesta poga „Start/Stop” (Iedarbināt/ Apturēt). LCD ekrāns ieslēdzas pēc tam, kad līdz galam ir nospiests stāvbremzes pedālis un vienlaicīgi un pietiekami ilgi ir nospiesta „Start/Stop” (Iedarbināt/Apturēt) poga.
	<ul style="list-style-type: none"> Ja LCD ekrānā mirgo drošības atslēgas ikona „”, drošības atslēga nav ievietota. 	<ul style="list-style-type: none"> Ievietojiet drošības atslēgu, pēc tam līdz galam nospiediet stāvbremzes pedāli un vienlaicīgi un pietiekami ilgi nospiediet iedarbināšanas/apturēšanas pogu, lai ieslēgtu LCD ekrānu.
	<ul style="list-style-type: none"> Ja LCD ekrānā mirgo stāvbremzes ikona „”, stāvbremzes pedālis nav pilnībā nospiests. 	<ul style="list-style-type: none"> Ievietojiet drošības atslēgu, pēc tam līdz galam nospiediet stāvbremzes pedāli un vienlaicīgi un pietiekami ilgi nospiediet iedarbināšanas/apturēšanas pogu, lai ieslēgtu LCD ekrānu.
Traktors pļauj nevienmērīgi, ir ievērojama augstuma starpība priekšā un aizmugurē.	<ul style="list-style-type: none"> Asmeņi kļuvuši neasi. 	<ul style="list-style-type: none"> Uzasiniet vai nomainiet griezējasmaņus atbilstoši norādēm šajā rokasgrāmatā.
	<ul style="list-style-type: none"> Asmeņi ir saliekti. 	<ul style="list-style-type: none"> Nomainiet saliekto griezējasmaņi, ievērojot norādījumus sadaļā „Griezējasmaņu nomaīņa”.
	<ul style="list-style-type: none"> Pļaušanas bloks neatrodas vienā līmenī, kā rezultātā atšķiras pļaušanas asmeņu augstums. 	<ul style="list-style-type: none"> Izlīdziniet pļaušanas bloku, ievērojot norādījumus sadaļā „Pļaušanas bloka izlīdzināšana”.
Faktiskais zāles pļaušanas augstums nav saskaņots ar norādīto augstumu.	<ul style="list-style-type: none"> Pļaušanas bloka uzgriežņi ir atskrūvējušies uz balstiekārtas savienojuma. 	<ul style="list-style-type: none"> Izpildiet norādījumus sadaļā „Pļaušanas bloka izlīdzināšana”, lai pareizi noregulētu pļaušanas bloku no priekšpusēs uz aizmuguri, un pēc tam stingri pievelciet visus balstiekārtas savienojuma uzgriežņus.
	<ul style="list-style-type: none"> Pļaušanas bloks ir bojāts vai stipri nolietojies. 	<ul style="list-style-type: none"> Lai nomainītu pļaušanas bloku, izpildiet norādījumus sadaļā „Pļaušanas bloka noņemšana”.
Traktors nemulčē pareizi.	<ul style="list-style-type: none"> Slapjā, nopļautā zāle līp klāt zem pļaušanas bloka. 	<ul style="list-style-type: none"> Pagaidiet, kamēr nožūst zāle, un tikai tad sāciet pļaut.
	<ul style="list-style-type: none"> Traktors ir iestatīts tā, lai tas ar vienu piegājieni nopļautu daudz zāles. 	<ul style="list-style-type: none"> Paceliet bloka pļaušanas augstumu.
Pārāk liela vibrācija.	<ul style="list-style-type: none"> Atskrūvējušies griezējasmaņi. 	<ul style="list-style-type: none"> Pēc tam pievelciet asmens bultskrūvi līdz ieteiktajam griezes momentam.
	<ul style="list-style-type: none"> Asmeņi ir saliekti. 	<ul style="list-style-type: none"> Nomainiet saliekto griezējasmaņi, ievērojot norādījumus sadaļā „Griezējasmaņu nomaīņa”.
	<ul style="list-style-type: none"> Pļaušanas bloks neatrodas vienā līmenī. 	<ul style="list-style-type: none"> Izlīdziniet pļaušanas bloku, ievērojot norādījumus sadaļā „Pļaušanas bloka izlīdzināšana”.
	<ul style="list-style-type: none"> Pļaušanas bloka uzgriežņi ir atskrūvējušies uz balstiekārtas savienojuma. 	<ul style="list-style-type: none"> Pievelciet balstiekārtas savienojuma uzgriežņus.
	<ul style="list-style-type: none"> Pļaušanas bloks ir iestatīts tā, lai tas ar vienu piegājieni nopļautu daudz zāles. 	<ul style="list-style-type: none"> Paceliet bloka pļaušanas augstumu.
Pēc pļaušanas uz zemes paliek zāle vai gruži.	<ul style="list-style-type: none"> Pļaušanas bloks ir iestatīts tā, lai tas ar vienu piegājieni nopļautu daudz zāles, kad zāle ir gara. 	<ul style="list-style-type: none"> Sāciet ar lielu pļaušanas augstumu un pēc tam samaziniet to, līdz tiek sasniegts vēlams pļaušanas rezultāts. Zāle, kas garāka par 152 mm, jāpļauj divas reizes, secīgi samazinot pļaušanas augstumu.
	<ul style="list-style-type: none"> Zāle ir slapja. 	<ul style="list-style-type: none"> Nepļaujiet, kad zāle ir mitra. Pagaidiet, līdz zāle nožūst.
	<ul style="list-style-type: none"> Liels braukšanas ātrums. 	<ul style="list-style-type: none"> Palēniniet braukšanas ātrumu.
	<ul style="list-style-type: none"> Zems asmens ātrums. 	<ul style="list-style-type: none"> Pakāpeniski palieliniet asmens griešanās ātrumu.

PROBLĒMA	CĒLONIS	RISINĀJUMS
Īss traktora darbības laiks ar komplektā iekļautajiem akumulatoriem.	<ul style="list-style-type: none"> Zālāja reljefs, zāles apstākļi, pļaušanas augstuma iestatījums, braukšanas ātrums, asmeņu griešanās ātrums utt. lielā mērā ietekmē darbības laiku. 	<ul style="list-style-type: none"> Lai samazinātu pļaušanas slodzi, paaugstiniet bloka pļaušanas augstumu un samaziniet asmens griešanās ātrumu.
Traktors nebrauc taisni.	<ul style="list-style-type: none"> Kreisajā un labajā aizmugurējā ritenī ir atšķirīgs riepu spiediens. 	<ul style="list-style-type: none"> Pārbaudiet un noregulējiet gaisa spiedienu abās aizmugurējo riteņu riepas saskaņā ar ieteikumiem šīs rokasgrāmatas sadaļā „SPECIFIKĀCIJAS”.
Stāvbremzes pedāli nevar atlaist no bremzēšanas stāvokļa vai tas lēnām atlec atpakaļ.	<ul style="list-style-type: none"> Stāvbremzes pedāļa pārvietošanās trajektorija ir aizsērējusi ar gružiem. 	<ul style="list-style-type: none"> Pārbaudiet un iztīriet gružus.
Traktoru nevar uzlādēt, izmantojot uzlādes pieslēgvietu, un traktora statusa indikators mirgo sarkanā krāsā.	<ul style="list-style-type: none"> Lādētāja kontaktdakša nav pareizi ievietota traktora uzlādes pieslēgvietā. 	<ul style="list-style-type: none"> Vēlreiz iespraudiet lādētāja kontaktdakšu, lai redzētu, vai traktoru var uzlādēt kā parasti.
	<ul style="list-style-type: none"> Sienas kontaktligzdās nav strāvas. 	<ul style="list-style-type: none"> Nekas cits nav jādara. Pagaidiet, līdz atjaunojas elektrība.
	<ul style="list-style-type: none"> Lādētāja darbības traucējumi. 	<ul style="list-style-type: none"> Lūdzu, sazinieties ar EGO klientu apkalpošanas centru, lai kvalificēts servisa tehniķis pārbaudītu un/vai salabotu lādētāju, ja tas ir nepieciešams.
	<ul style="list-style-type: none"> Traktora lādētāja pieslēgvietā ir bojāta. 	<ul style="list-style-type: none"> Lūdzu, sazinieties ar EGO klientu apkalpošanas centru, lai veiktu remontu.
Uzlādes laiks, izmantojot traktora uzlādes pieslēgvietu, ir pārāk ilgs.	<ul style="list-style-type: none"> Uzlādei ar EGO adapteri ACA1000 paiet ilgs laiks. 	<ul style="list-style-type: none"> Izmantojiet EGO lādētāju CHV1600E, lai tiešā veidā uzlādētu elektrisko zāles pļaušanas traktoru.
Akumulatorus nevar pilnībā uzlādēt, izmantojot traktora uzlādēšanas pieslēgvietu.	<ul style="list-style-type: none"> Traktora vai akumulatora programmaparatūras kļūda vai lādētāja kļūda. 	<ul style="list-style-type: none"> Atiestatiet lādētāja darbību, atvienojot lādētāju no tīkla un uzgaidot dažas minūtes. Pēc tam iespraudiet lādētāja spraudni barošanas avotā. Ja tas problēmu neatrisina, zvaniet EGO klientu apkalpošanas centram.
Traktoru pēc tīrīšanas darbiem nevar iedarbināt.	<ul style="list-style-type: none"> Nepareizi veikta tīrīšana, piemēram, elektriskajos komponentos, LCD ekrānā utt. ir iekļuvis ūdens. 	<ol style="list-style-type: none"> Lai noskaidrotu, kā pareizi iztīrīt traktoru, izpildiet sadaļā „VISPĀRĒJĀ APKOPE” sniegtos norādījumus. Ja traktors nejausi nokļūst lietū, atstājiet to iekšējās telpās nožūt vai izžāvējiet ar saspiesto gaisu.
Ātri aizsērē pļaušanas bloks.	<ul style="list-style-type: none"> Pēc iepriekšējās lietošanas reizes pļaušanas bloks netika pareizi iztīrīts. 	<ul style="list-style-type: none"> Iztīriet pļaušanas bloku pēc katras lietošanas reizes, ievērojot sadaļā „Mazgāšanas pieslēgvietas izmantošana pļaušanas bloka tīrīšanai” sniegtos norādījumus.
Traktors viegli zaudē saķeri, braucot augšup slīpumā.	<ul style="list-style-type: none"> Nolietojušās aizmugurējo riteņu riepas. 	<ul style="list-style-type: none"> Lai nomainītu riteņu riepas, dodieties uz vietējo servisu.
	<ul style="list-style-type: none"> Pļaušana stāvā nogāzē. 	<ul style="list-style-type: none"> Ar traktoru nedrīkst pļaut slīpumā, kas stāvāks par norādītajiem grādiem.
Ja traktors ir apstājies uz nogāzes ar ieslēgtu stāvbremzes pedāli, tas var sākt ripot lejup pa nogāzi.	<ul style="list-style-type: none"> Nepareizi ekspluatēta traktora dēļ pārāk stipri nodilušas bremžu detaļas. 	<ul style="list-style-type: none"> Sazinieties ar EGO klientu apkalpošanas centru, lai veiktu remontu.
Pļaušanas bloka mazgāšanas laikā no mazgāšanas pieslēgvietas netek ūdens.	<ul style="list-style-type: none"> Mazgāšanas pieslēgvietā nav uzstādīts mazgāšanas pieslēgvietas ātrais savienotājs. 	<ul style="list-style-type: none"> Vēlreiz piestipriniet mazgāšanas porta ātro savienotāju, stingri piespiežot, līdz ir dzirdama klikšķa skaņa. Ja tas neatrisina problēmu, sazinieties ar EGO klientu apkalpošanas dienestu.
Manuāli stumjot traktoru bez iedarbināšanas, ir dzirdama neparasta skaņa.	<ul style="list-style-type: none"> No magnētiem nāk skaņa, kas atrodas piedziņas motora iekšpusē. 	<ul style="list-style-type: none"> Tas ir normāli, un nekādas darbības nav jāveic.
Nevar pagriezt stūres ratu.	<ul style="list-style-type: none"> Stūres rata bloks ir aizsērējis ar gružiem. 	<ul style="list-style-type: none"> Pārbaudiet un iztīriet gružus.

PROBLĒMA	CĒLONIS	RISINĀJUMS
Traktors, pagriežot stūres ratu, nepagriežas pa kreisi vai pa labi.	<ul style="list-style-type: none"> Elektronisko vai mehānisko komponentu kļūme. 	<ul style="list-style-type: none"> Sazinieties ar EGO klientu apkalpošanas centru, lai veiktu remontu.
Traktors neapstājas, atlaižot akceleratora pedāli.	<ul style="list-style-type: none"> Akceleratora pedāļa atpakaļpārvietošanās trajektorija ir aizsērējusi ar gružiem. 	<ul style="list-style-type: none"> Pārbaudiet un iztīriet gružus.
	<ul style="list-style-type: none"> Braukšanas laikā tika nejauši nospiesta CCS poga. Traktors darbojas kruīza kontroles režīmā. 	<ul style="list-style-type: none"> Pārbaudiet, vai LCD ekrānā deg CCS ikona, un vajadzības gadījumā izejiet no CCS. Izlasiet sadaļu „KRUĪZA KONTROLES (CCS) IZMANTOŠANA”.
CCS funkciju nevar aktivizēt vai izslēgt.	<ul style="list-style-type: none"> Nav pareizi nospiesta CCS poga. 	<ul style="list-style-type: none"> Nospiediet CCS pogu, līdz LCD ekrānā iedegas CCS ikona vai arī tā pazūd no LCD ekrāna.
Traktora priekšējie riteņi griežas ar neparastu troksni	<ul style="list-style-type: none"> Nepieciešams ieeļļot priekšējo riteņu vārpstu uznavas. 	<ul style="list-style-type: none"> Izņemiet akumulatoru blokus un pēc tam iepildiet iesmidzināšanas atverēs smērvielu, līdz tā pārplūst pāri priekšējo riteņu vārpstu uznavu augšējai vai apakšējai malai.

TRAKTORA STATUSS

LCD displejs	Apraksts	Traktora statusa indikators	Audio indikators	Cēlonis	Risinājums
	Degvielas mēritāja ikona	IZSLĒGTS	Nav	Parāda ievietoto akumulatoru vidējo uzlādes jaudu	Šī ir normāla darbība. Nekas cits nav jādara.
	Stundu skaitītāja ikona	IZSLĒGTS	Nav	Parāda traktora kopējo braukšanas laiku stundās, un to nevar atiestatīt.	Šī ir normāla darbība. Nekas cits nav jādara.
	Slodzes indikatora ikona	IZSLĒGTS	Nav	Parāda traktora pašreizējo slodzi.	Šī ir normāla darbība. Nekas cits nav jādara.
	LCD ekrānā iedegas LED apgaismojuma ikona.	IZSLĒGTS	Nav	Priekšējās spuldzes ieslēdz ar LED apgaismojuma slēdzi.	Šī ir normāla darbība. Nekas cits nav jādara.
	LCD ekrānā iedegas Bluetooth ikona	IZSLĒGTS	Nav	Traktors ir savienots ar mobilo ierīci, izmantojot Bluetooth.	Šī ir normāla darbība. Nekas cits nav jādara.
	LCD ekrānā iedegas ikona PLĀUŠANA ATPAKAĻGAITĀ IZSLĒGTA.	IZSLĒGTS	Nav	Tas norāda, ka asmeņus nevar ieslēgt, ja traktors brauc atpakaļgaitā.	Šī ir normāla darbība. Ja nepieciešams, ieslēdziet asmeņus, braucot atpakaļgaitā, ievērojot rokasgrāmatas sadaļā „ ASMEŅU IESLĒGŠANA, BRAUCOT ATPAKAĻGAITĀ ” sniegtos norādījumus.
	LCD ekrānā izgaismojas braukšanas ikona.	IZSLĒGTS	Nav	Tas norāda, ka traktoru var vadīt vai tas brauc uz priekšu.	
	LCD ekrānā izgaismojas atpakaļgaitas ikona.	IZSLĒGTS	Nav	Tas norāda, ka traktors var braukt atpakaļgaitā.	Šī ir normāla darbība. Pārvietojiet virziena vadības sviru „D”, neitrālā vai „R” pozīcijā atbilstoši nepieciešamībai.
	Pārmaiņus mirgo braukšanas ikona un atpakaļgaitas ikona.	IZSLĒGTS	Nav	Tas norāda, ka traktoru nav bijis iespējams darbināt.	
	Izgaismojas drošības atslēgas ikona	IZSLĒGTS	Nav	Drošības atslēga ir pareizi ievietota.	Šī ir normāla darbība. Nekas cits nav jādara.
	Kad LCD ekrānā tiek parādīts „degvielas mēritājs”, sāk mirgot drošības atslēga.	IZSLĒGTS	Nav	Nav ievietota drošības atslēga. Bojāts galvenā vadības paneļa bloks.	ievietojiet drošības atslēgu, pēc tam pilnībā nospiediet stāvbremzes pedāli un vienlaicīgi nospiediet un ilgāk par 3 sekundēm pieturiet iedarbināšanas/ apturēšanas pogu START/STOP, lai ieslēgtu traktoru. Sazinieties ar EGO klientu apkalpošanas centru, lai veiktu remontu.

LCD displejs	Apraksts	Traktora statusa indikators	Audio indikators	Cēlonis	Risinājums
	Kad LCD ekrānā tiek parādīts „degvielas mērītājs”, sāk mirgot stāvbremzes ikona.	IZSLĒGTS	Nav	Nav nospiests stāvbremzes pedālis.	Ievietojot drošības atslēgu, nospiediet stāvbremzes pedāli līdz galam un vienlaicīgi nospiediet iedarbināšanas/ apturēšanas pogu START/STOP ilgāk par 3 sekundēm, lai ieslēgtu traktoru.
	Kad LCD ekrānā tiek parādīta operatora saskarne, sāk mirgot stāvbremzes ikona.	IZSLĒGTS	Nav	Pirms stāvbremzes pedāļa nospiešanas nospiediet akseleratora pedāli, lai traktora indikators iedegtos zaļā krāsā.	Iedarbiniet traktoru pareizi, ievērojot sadaļā „ TRAKTORA IEDARBINĀŠANA ” sniegtos norādījumus.
	Izgaismojas stāvbremzes ikona	IZSLĒGTS	Nav	Stāvbremzes pedālis ir ieslēgts stāvbremzes pozīcijā.	Atlaidiet to pirms traktora iedarbināšanas.
	Izgaismojas sēdekļa sensora ikona	IZSLĒGTS	Nav	Operators piecēlies no sēdekļa vai sēdekļa drošības bloķēšanas sistēma ir atvienota.	Ja ikona deg brīdī, kad operators ir apsēdies uz sēdekļa, nekavējoties apturiet traktoru un pārbaudiet sēdekļa savienojumu. Ja pareizs sēdekļa savienojums ar traktoru ir apstiprināts, lūdzu, sazinieties ar kvalificētu servisa tehniķi, kas veiks remontdarbus.
	Mirgo jūgvārpstas slēdža ikona	IZSLĒGTS	Nav	Traucēta asmens motora darbība, un jūgvārpstas slēdzis nav iestatīts izslēgtā stāvoklī.	Pirms traktora atkārtotas iedarbināšanas nospiediet jūgvārpstas slēdzi, lai izslēgtu asmeņu motorus. Lūdzu, izlasiet šīs rokasgrāmatas sadaļu „ PROBLĒMU MEKLĒŠANA UN NOVĒRŠANA ”.
	Mirgo noteikta akumulatora nodalījuma ikona.	IZSLĒGTS	Nav	Izlādes laikā konkrētajam akumulatoram ir radusies pārstrāva.	Nekas cits nav jādara. Traktors var turpināt darbu, ja kopējā akumulatoru Ah nominālā vērtība, izņemot akumulatoru ar pārstrāvu, ir vienāda vai lielāka par 15 Ah. Tiklīdz pārkarsušais akumulators atgriezīsies normālā temperatūrā, tas nekavējoties sāks traktora uzlādi un nodzīsīs ikona.
	Mirgo tukša akumulatora nodalījuma ikona.	IZSLĒGTS	Nav	Akumulatora jauda nav pietiekama, lai traktors varētu darboties.	Lai iedarbinātu šo traktoru, izmantojiet pietiekami daudz EGO akumulatoru, ievērojot norādījumus, kas sniegti šīs rokasgrāmatas sadaļā „ AKUMULATORU BLOKA IEVIETOŠANA/IZŅĒMŠANA ”.

LCD displejs	Apraksts	Traktora statusa indikators	Audio indikators	Cēlonis	Risinājums
	Temperatūras ikona mirgo reizē ar attiecīgo akumulatora nodalījumu.	IZSLĒGTS	Nav	Atbilstošajā numurētajā akumulatoru nodalījumā pārkarsis akumulatoru bloks.	<ol style="list-style-type: none"> Traktors var turpināt darbu, ja kopējā akumulatoru Ah jauda, izņemot gadījumus, kad akumulatori ir pārkarsuši, atbilst prasībām. Tiklīdz pārkarsušais akumulators atgriezīsies normālā temperatūrā, tas nekavējoties sāks traktora uzlādi. Ja kopējā akumulatoru Ah jauda neatbilst prasībām, traktors nedarbosies, kamēr brīvajos akumulatoru nodalījumos nebūs ievietots vairāk akumulatoru. Samaziniet uz traktora slodzi, paaugstinot bloka pļaušanas augstumu vai samazinot pļaušanas ātrumu, atsākot darbu.
	Mirgo temperatūras ikona.	IZSLĒGTS	Viens pīkstiena signāls	<p>Traktors ir pārkarsis.</p> <p>Traktors ir pārāk auksts.</p>	<p>Samaziniet uz traktora slodzi, paaugstinot bloka pļaušanas augstumu vai samazinot asmeņu/braukšanas ātrumu. Atpūties un ļaujiet traktoram atdzist.</p> <p>Nemēģiniet to atkārtot, jo tas var sabojāt pļāvēju. Vienmēr uzglabājiet traktoru un akumulatorus siltā vidē. Kad traktors ir uzsilis, iedarbiniet to vēlreiz.</p>
	Mirgo brīdinājuma ikona	Mirgo sarkanā gaisma	Viens pīkstiena signāls	Asmens motora pārslodze.	Lai samazinātu uz traktora slodzi, paceliet bloka pļaušanas augstumu vai samaziniet braukšanas ātrumu.
				Sānu izlādes tekne ir aizsērējusi ar zāli un gružiem.	Iztīriet sānu izlādes tekni pēc katras lietošanas reizes.
				Sarp asmeni un traktora pļaušanas bloku radušies darbības traucējumi.	Sazinieties ar EGO klientu apkalpošanas centru
	Katra nodalījuma ikona, kurā ir ievietots akumulators, un brīdinājuma ikona LCD ekrānā mirgo vienlaicīgi ik pēc 1 sekundes.	Mirgo sarkanā gaisma	Turpina pīkstēt, līdz netiek nospiests jūgvārpstas slēdzis.	Izlādējušies akumulatoru bloki, un traktors ir pārgājis ārkārtas darbības režīmā.	Jāpārtrauc darbs un pēc iespējas ātrāk jādodas uz akumulatora uzlādes zonu. PIEZĪME! Kad traktors ir pārgājis ārkārtas darbības režīmā, asmeņi tiek automātiski pārslēgti zemā rotācijas ātrumā bez zāles pļaušanas funkcijas, un tikmēr turpinās pīkstēt skaņas indikators. Operatoram ir jānospiež jūgvārpstas slēdzis, lai izslēgtu asmeņu motorus. Pēc asmeņu apstāšanās skaņas indikators pārtrauks pīkstēt.
	Katra nodalījuma ikona, kurā ir ievietots akumulators, un brīdinājuma ikona iemirgojas reizi pussekundē.	Mirgo sarkanā gaisma	Turpina pīkstēt	Traucēta asmens motora darbība, un jūgvārpstas slēdzis nav iestatīts izslēgtā stāvoklī.	Traktors nekavējoties pārtrauks darboties. Operatoram jāpārvieta traktors uz akumulatora uzlādes zonu, lai to uzlādētu.

LCD displejs	Apraksts	Traktora statusa indikators	Audio indikators	Cēlonis	Risinājums
	LCD ekrānā iedegas CCS ikona	Deg nepārtraukta zaļā gaisma	Nav	Traktors turpina braukt uz priekšu ar ieslēgto ātrumu, nespiežot akceleratora pedāli.	Šī ir normāla darbība. Ja nepieciešams, izslēdziet CCS funkciju saskaņā ar rokasgrāmatas sadaļā „ Kruīza kontroles (CCS) apturēšana (izslēgšana) ” sniegtajiem norādījumiem.
	LCD ekrānā mirgo CCS ikona.	IZSLĒGTS	Nav	<p>Kļūme CCS (kruīza kontroles sistēmas) funkcijā.</p> <p>Nospiežot stāvbremzes pedāli braukšanas ātruma samazināšanas nolūkā.</p>	<p>CCS funkciju nevar iestatīt, ja traktors brauc ar ļoti mazu ātrumu vai brauc atpakaļgaitā.</p> <p>Pēc stāvbremzes pedāļa atlaišanas nospiežiet CCS pogu, un LCD displejā izgaismosies CCS ikona, vai arī izejiet no CCS funkcijas, ievērojot norādījumus, kas sniegti sadaļā „Kruīza kontroles (CCS) apturēšana (izslēgšana)” sniegtajiem norādījumiem.</p>
	LCD ekrānā nedeg savācējmaisa ikona.	N/A	Nav	Tas norāda, ka zāles savācējmaiss nav ievietots traktorā vai nav pareizi uzstādīts.	Ievietojiet traktorā zāles savācējmaisu pareizā veidā.
	LCD ekrānā mirgo automātiskās traktora novietošanas ikona	N/A	Nav	Tas norāda, ka zāles savācējmaiss ir pilns.	Iztukšojiet zāles savācējmaisu un ievietojiet atpakaļ pareizā veidā.
N/A	N/A	IZSLĒGTS	Turpina pīkstēt	Traktors ir novietots slīpumā, un operators ir devies projām no traktora, neieslēdzot stāvbremzes pedāli stāvbremzes pozīcijā.	Ieslēdziet stāvbremzes pedāli stāvbremzes pozīcijā. Stāvbremzes ikona izgaismosies un skaņas indikators pārtrauks pīkstēt.
IZSLĒGTS	Uzlādes porta kļūme	Deg nepārtraukta SARKANĀ gaisma	N/A	Nav strāvas padeves.	Pārbaudiet sienas kontaktligzdu, vai tajā pienāk 220V – 240V, un vai tā vispār darbojas.
		Deg nepārtraukta SARKANĀ gaisma	N/A	Elektroniski traucējumi, piemēram, lādēšanas pieslēgvietā ir pārtraukta ķēde, ir izdedzis drošinātājs utt.	Sazinieties ar EGO klientu apkalpošanas centru, lai veiktu remontu.

KĻŪDU KODU ATSAUCE

Apraksts	Kļūdas kods LCD ekrānā	Audio indikators	Risinājums
Negriežas kreisās puses asmens motors	509	Viens pīkstiena signāls	Vispirms pārbaudiet asmeni. Ja ir atskrūvējies, pievelciet bultskrūvi ar ieteicamo griezes momentu. Vai arī sazinieties ar EGO klientu apkalpošanas centru, lai veiktu remontu.
Negriežas labās puses asmens motors	609	Viens pīkstiena signāls	

PIEZĪME! Ja LCD ekrānā parādās citi kļūdu kodi, kas var liecināt par PCBA kļūmi, atskrūvējušos savienojumu, piedziņas motora, asmeņu motora utt. motora atteici, izņemiet visus akumulatoru blokus un pēc dažām minūtēm ievietojiet atpakaļ, lai vēlreiz iedarbinātu traktoru. Ja tas neatrisina problēmu, reģistrējiet kļūdas kodu un sazinieties ar EGO klientu apkalpošanas centru, lai veiktu remontu.

GARANTIJA

EGO GARANTIJAS POLITIKA

Lūdzam apmeklēt tīmekļa vietni egopowerplus.eu, kur pieejama pilna EGO garantijas politikas noteikumu un nosacījumu versija.

ΔΙΑΒΑΣΤΕ ΟΛΕΣ ΤΙΣ ΟΔΗΓΙΕΣ!



ΔΙΑΒΑΣΤΕ ΤΟ ΕΓΧΕΙΡΙΔΙΟ ΧΡΗΣΗΣ

ΣΥΜΒΟΛΟ ΑΣΦΑΛΕΙΑΣ

Ο σκοπός των συμβόλων ασφαλείας είναι να σας επιστήσουν την προσοχή σε ενδεχόμενους κινδύνους. Λαμβάνετε υπόψη και εξοικειωθείτε με τα σύμβολα ασφαλείας και τις επεξηγήσεις που τα συνοδεύουν. Τα σύμβολα προειδοποίησης από μόνα τους δεν εξαλείφουν κανέναν κίνδυνο. Οι οδηγίες και οι προειδοποιήσεις που παρέχουν δεν υποκαθιστούν τα ενδεδειγμένα μέτρα πρόληψης ατυχημάτων.

▲ ΠΡΟΕΙΔΟΠΟΙΗΣΗ: Βεβαιωθείτε ότι έχετε διαβάσει και κατανοήσει όλες τις οδηγίες ασφαλείας στο παρόν εγχειρίδιο χρήσης, συμπεριλαμβανομένων όλων των συμβόλων ασφαλείας, όπως «**ΚΙΝΔΥΝΟΣ**», «**ΠΡΟΕΙΔΟΠΟΙΗΣΗ**» και «**ΠΡΟΣΟΧΗ**», προτού χρησιμοποιήσετε αυτό το ηλεκτρικό εργαλείο. Η μη τήρηση όλων των παρακάτω οδηγιών μπορεί να οδηγήσει σε ηλεκτροπληξία, πυρκαγιά και/ή σοβαρό τραυματισμό.

ΕΠΕΞΗΓΗΣΗ ΣΥΜΒΟΛΩΝ

Αυτή η σελίδα απεικονίζει και περιγράφει τα σύμβολα ασφαλείας που ενδέχεται να εμφανιστούν επάνω στο προϊόν. Διαβάζετε, κατανοείτε και τηρείτε όλες τις οδηγίες στη μηχανή, προτού επιχειρήσετε να τη συναρμολογήσετε και να τη χρησιμοποιήσετε.

ΣΥΜΒΟΛΑ ΑΣΦΑΛΕΙΑΣ

	Προειδοποίηση ασφαλείας		Διαβάστε και εξοικειωθείτε με το εγχειρίδιο χρήσης
	Προστασία των ματιών		Συντηρείτε τις διατάξεις ασφαλείας
	ΚΙΝΔΥΝΟΣ – Κίνδυνος απότομης πλαιγιάς		ΚΙΝΔΥΝΟΣ – Διατηρείτε τους παρευρισκόμενους μακριά από τις λεπίδες
	Ποτέ μην μεταφέρετε παιδιά		Κοιτάτε πίσω όταν κάνετε όπισθεν
	ΠΡΟΕΙΔΟΠΟΙΗΣΗ – Μην χρησιμοποιείτε αυτήν τη μηχανή σε πλαιγίες με κλίση μεγαλύτερη από 12°		ΚΙΝΔΥΝΟΣ – Εκτόξευση αντικειμένων
	ΠΡΟΕΙΔΟΠΟΙΗΣΗ – ΔΙΑΤΗΡΕΙΤΕ ΤΑ ΧΕΡΙΑ ΚΑΙ ΤΑ ΠΟΔΙΑ ΜΑΚΡΙΑ		Εγγυημένη στάθμη ακουστικής ισχύος. Σύμφωνα με την οδηγία της Ευρωπαϊκής Κοινότητας.
	Μην στέκεστε εδώ		Τα απόβλητα ειδών ηλεκτρικού και ηλεκτρονικού εξοπλισμού δεν πρέπει να απορρίπτονται στα οικιακά απορρίμματα. Πρέπει να παραδίδονται σε εξουσιοδοτημένη μονάδα ανακύκλωσης.
	Αυτό το προϊόν συμμορφώνεται με τις ισχύουσες οδηγίες της ΕΚ		ΠΡΟΣΟΧΗ – Μην κοιτάτε επίμονα τη λυχνία λειτουργίας.

GR

	Συνεχές ρεύμα
kPa	Κιλοπασκάλ
V	Βολτ
in	Ίντσα
Nm	Νιουτόμετρο
°C	Βαθμοί Κελσίου
km/h	Χιλιόμετρα ανά ώρα

RPM	Στροφές ανά λεπτό
m	Μέτρα
cm	Εκατοστά
mm	Χιλιοστά
kg	Κιλό
IPX4	Βαθμός προστασίας από εισχώρηση

Αυτό το προϊόν συμμορφώνεται με την ισχύουσα νομοθεσία του Η.Β.

ΣΥΜΒΟΛΑ ΣΤΟ ΠΑΡΟΝ ΕΓΧΕΙΡΙΔΙΟ



Σημειώστε τις πληροφορίες



Η επισημασμένη ενέργεια σταματά

ΤΕΧΝΙΚΕΣ ΠΡΟΔΙΑΓΡΑΦΕΣ

Τάση	56 V	
Μέγεθος πλαισίου κοπής	98 cm	
Μέγεθος τροχού	Μπροστά	15 x 6 – 6 in
	Πίσω	18 x 7,5 – 8 in
Πίεση ελαστικών εν ψυχρώ	Μπροστά	96,5 kPa
	Πίσω	170 kPa
Ταχύτητα λεπίδας (RPM)	Έως 3000	
Μέγιστη ταχύτητα οδήγησης	Κίνηση προς τα εμπρός	Έως και 9,6 km/h
	Όπισθεν	έως και 4,8 km/h
Ρύθμιση ύψους κοπής (12 θέσεις)	25 – 100 mm	
Εύρος θερμοκρασίας φόρτισης	5°C – 40°C	
Θερμοκρασία λειτουργίας	0°C – 40°C	
Θερμοκρασία αποθήκευσης	-20°C – 70°C	
Βάρος (χωρίς συστοιχία μπαταριών)	220 kg	
Μετρημένη στάθμη ηχητικής ισχύος L_{WA}	97,7 dB(A) K=1,75 dB(A)	
Στάθμη ηχητικής πίεσης στη θέση χειριστή L_{PA}	83,6 dB(A) K=3 dB(A)	
Εγγυημένο επίπεδο ισχύος ήχου L_{WA} (μέτρηση κατά 2000/14/EE)	100 dB(A)	
Κραδασμοί a_h	Χέρι	0,24 m/s ² K=1,5 m/s ²
	Σώμα	0,18 m/s ² K=1,5 m/s ²

- Η δηλωθείσα συνολική τιμή κραδασμών έχει μετρηθεί σύμφωνα με πρότυπη μέθοδο ελέγχου και μπορεί να χρησιμοποιηθεί για τη σύγκριση ενός εργαλείου με κάποιο άλλο.
- Η αναφερόμενη συνολική τιμή κραδασμών μπορεί να χρησιμοποιηθεί, επίσης, για προκαταρκτική αξιολόγηση έκθεσης.

ΣΗΜΕΙΩΣΗ: Η μετάδοση της δόνησης κατά τη διάρκεια της πραγματικής χρήσης του ηλεκτρικού εργαλείου μπορεί να διαφέρει από τη δηλωθείσα τιμή στην οποία χρησιμοποιείται το εργαλείο. Για την προστασία του χειριστή, πρέπει να χρησιμοποιούνται γάντια και ωτοασπίδες υπό πραγματικές συνθήκες χρήσης.

ΣΥΝΙΣΤΩΜΕΝΑ ΠΑΡΕΛΚΟΜΕΝΑ

⚠ ΠΡΟΕΙΔΟΠΟΙΗΣΗ: Χρησιμοποιήστε μόνο τα αξεσουάρ που αναφέρονται παρακάτω. Η χρήση αξεσουάρ που δεν ανταποκρίνονται στις αρχικές τεχνικές προδιαγραφές του εξοπλισμού μπορεί να οδηγήσει σε μειωμένη απόδοση και να θέσει σε κίνδυνο την ασφάλεια.

ΟΝΟΜΑ ΕΞΑΡΤΗΜΑΤΟΣ	ΑΡΙΘΜΟΣ ΜΟΝΤΕΛΟΥ
Σύνολο σετ λεπίδων	AB3801TD
Εξάρτημα κάλυψης εδάφους	AMP3800T

ΠΕΡΙΓΡΑΦΗ

ΕΞΟΙΚΕΙΩΣΗ ΜΕ ΤΟ ΤΡΑΚΤΕΡ (Εικ. A1)

1. Κάθισμα
2. Ποτηροθήκες
3. Πίσω τροχός (κινητήριος τροχός) (x2)
4. Θύρα πλύσης (x2)
5. Πλαίσιο κοπής
6. Τροχός με Anti-Scalp (x2)

7. Μπροστινός τροχός (x2)
8. Μπροστινός προφυλακτήρας
9. Πεντάλ φρένου στάθμευσης
10. Προβολέας LED (x2)
11. Μονάδα ηλεκτρικής τροφοδοσίας
12. Αποθηκευτικός χώρος
13. Μοχλός κλειδώματος φρένου στάθμευσης
14. Τιμόνι
15. Μοχλός ρύθμισης θέσης καθίσματος
16. Bagger γρασιδιού
17. Θύρα φόρτισης
18. Θύρα USB
19. Καλάθι αποθήκευσης
20. Γκάζι
21. Μοχλός ρύθμισης ύψους πλαισίου κοπής
22. Μοχλός ανατροπής
23. Λαβή
24. Ένδειξη κατάστασης τρακτέρ
25. Κουμπί ρύθμισης ταχύτητας λεπίδας
26. Κουμπί ΚΟΥΡΕΜΑ ΜΕ ΤΗΝ ΟΠΙΣΘΕΝ
27. Κουμπί ενεργοποίησης/απενεργοποίησης
28. Μοχλός ελέγχου κατεύθυνσης
29. Κλειδί ασφαλείας
30. Διακόπτης PTO
31. Κουμπί CCS
32. Κουμπί λυχνίας LED/Bluetooth
33. Κουμπί ρύθμισης ταχύτητας οδήγησης
34. Κουμπί αποδέσμευσης καλύμματος μονάδας ηλεκτρικής τροφοδοσίας
35. Κάλυμμα μονάδας ηλεκτρικής τροφοδοσίας
36. Μονάδα ηλεκτρικής τροφοδοσίας με έξι θήκες μπαταριών
37. Κουμπί αποδέσμευσης μπαταριών

ΕΞΟΙΚΕΙΩΣΗ ΜΕ ΤΗΝ ΟΘΟΝΗ LCD (Εικ. Α2)

Ανατρέξτε στην ενότητα «ΑΝΑΦΟΡΑ ΚΑΤΑΣΤΑΣΗΣ ΤΡΑΚΤΕΡ» και «ΑΝΑΦΟΡΑ ΚΩΔΙΚΟΥ ΣΦΑΛΜΑΤΟΣ» για περισσότερες πληροφορίες σχετικά με τα εικονίδια και τις ενδείξεις στην οθόνη LCD.

1. Εικονίδιο CCS
2. Ένδειξη κατάστασης διάταξης ασφαλείας
3. Εικονίδιο ΚΟΥΡΕΜΑ ΜΕ ΤΗΝ ΟΠΙΣΘΕΝ OFF
4. Εικονίδιο οδήγησης
5. Εικονίδιο όπισθεν
6. Εικονίδιο κλειδιού ασφαλείας
7. Εικονίδιο φώτων LED
8. Εικονίδιο Bluetooth
9. Ένδειξη ταχύτητας λεπίδας
10. Μετρητής ωρών
11. Δείκτης στάθμης καυσίμου

12. Εικονίδιο θερμοκρασίας
13. Εικονίδιο ειδοποίησης (υπερφόρτωση/χαμηλή ισχύς)
14. Εικονίδιο άδειας θήκης μπαταριών
15. Εικονίδιο κατεληγμένης θήκης μπαταριών
16. Ένδειξη κωδικού βλάβης
17. Δείκτης φορτίου
18. Ένδειξη ταχύτητας οδήγησης
19. Εικονίδιο Γεμάτο bagger
20. Εικονίδιο Δεν υπάρχει bagger

ΑΠΟΣΥΣΚΕΥΑΣΙΑ

ΣΗΜΕΙΩΣΗ: Φυλάξτε τα υλικά συσκευασίας ώσπου να επιθεωρήσετε προσεκτικά το προϊόν και να βεβαιωθείτε ότι λειτουργεί ικανοποιητικά. Εάν κάποια εξαρτήματα που αναφέρονται στον κατάλογο εξαρτημάτων είναι ήδη συναρμολογημένα στο μηχάνημα, επικοινωνήστε αμέσως με το σέρβις της EGO.

ΣΗΜΕΙΩΣΗ: Εκτός από τα εργαλεία που περιλαμβάνονται στον παρακάτω κατάλογο εξαρτημάτων, όλα τα υπόλοιπα εργαλεία που αναφέρονται στα εγχειρίδια, απλά συνιστώνται, δεν παρέχονται.

ΚΑΤΑΛΟΓΟΣ ΕΞΑΡΤΗΜΑΤΩΝ (Εικ. Β)

B-1	Ηλεκτρικό χλοοκοπτικό τρακτέρ	B-2	Κάθισμα
B-3	Τιμόνι	B-4	Πύμα σκόνης
B-5	Συνδυασμός κλειδιών	B-6	Σωληνωτό κλειδί 18 mm
B-7	Πείροι (1 εφεδρικός)	B-8	Παξιμάδια M8 (1 εφεδρικό)
B-9	Παξιμάδια M12 (1 εφεδρικό)	B-10	Ροδέλες (1 εφεδρική)
B-11	Κλειδί ασφαλείας	B-12	Ταχυσύνδεσμος θύρας πλήσης
B-13	Εγχειρίδιο χρήσης	B-14	Bagger συλλογής γρασιδιού (με δύο σετ βιδών και παξιμαδιών για τα πλευρικά στηρίγματα)
B-15	Βραχίονας σχήματος U	B-16	Πλαϊνός βραχίονας
B-17	Μοχλός ανατροπής	B-18	Αριστερός και δεξιός βραχίονας υποστήριξης bagger
B-19	Εγκάρσια δοκός	B-20	Μπουλόνι M8X40
B-21	Μπουλόνι M8X25	B-22	Παξιμάδι M8

GR

ΣΥΝΑΡΜΟΛΟΓΗΣΗ

ΤΟΠΟΘΕΤΗΣΗ ΤΟΥ ΤΙΜΟΝΙΟΥ (Εικ. C1)

C1-1	Κολόνα τιμονιού	C1-2	Τιμόνι
C1-3	Κεντρική γραμμή	C1-4	Ροδέλα
C1-5	Παξιμάδι	C1-6	Σωληνωτό κλειδί 18 mm
C1-7	Κάλυμμα ρύπων		

ΤΟΠΟΘΕΤΗΣΗ ΚΑΘΙΣΜΑΤΟΣ (Εικ. C2)

▲ ΠΡΟΕΙΔΟΠΟΙΗΣΗ: Το προστατευτικό σύστημα αλληλασφάλισης δεν πρέπει να αποσυνδέεται ή να παρακάμπτεται. Κάτι τέτοιο μπορεί να προκαλέσει απρόσμενη λειτουργία του τρακτέρ με αποτέλεσμα ατομικό τραυματισμό.

C2-1	Κάθισμα	C2-2	Παξιμάδι (M8)
C2-3	Μπουλόνι	C2-4	Πρίζα
C2-5	Φις		

ΕΓΚΑΤΑΣΤΑΣΗ ΤΟΥ BAGGER ΓΡΑΖΙΔΙΟΥ (Εικ. C3 – C8)

C3-1	Βραχίονας σχήματος U	C3-2	Bagger
C3-2	4 σετ μπουλόνια και παξιμάδια (M8 X 40)	C3-4	Γερμανοπολύγωνο κλειδί
C4-1	Πλευρικά στηρίγματα	C4-2	4 σετ μπουλόνια και παξιμάδια (M8 X 40)
C4-3	Γερμανοπολύγωνο κλειδί	C5-1	Μοχλός ανατροπής
C5-2	1 σετ μπουλόνι και παξιμάδι (M8 X 40)	C5-3	Γερμανοπολύγωνο κλειδί
C6-1	Στηρίγματα υποστήριξης bagger	C6-2	4 σετ μπουλόνια και παξιμάδια (M8 X 25)
C6-3	Γερμανοπολύγωνα κλειδιά	C7-1	Εγκάρσια δοκός
C7-2	2 παξιμάδια (M8)	C7-3	Γερμανοπολύγωνο κλειδί

GR

ΡΥΘΜΙΣΗ

ΠΡΙΝ ΤΗ ΡΥΘΜΙΣΗ (Εικ. D1)

ΡΥΘΜΙΣΗ ΥΨΟΥΣ ΤΟΥ ΠΛΑΙΣΙΟΥ ΚΟΠΗΣ (Εικ. D2)

ΡΥΘΜΙΣΗ ΤΡΟΧΩΝ ANTI-SCALP (Εικ. D3 – D6)

D3-1	Τροχοί Anti-Scalp	D5-1	Παξιμάδι
D5-2	Μπουλόνι τροχού	D6-1	Ετικέτα ύψους πλαισίου κοπής

ΡΥΘΜΙΣΗ ΚΑΘΙΣΜΑΤΟΣ (Εικ. D7)

D7-1	Μοχλός ρύθμισης θέσης καθίσματος
------	----------------------------------

ΛΕΙΤΟΥΡΓΙΑ

ΠΡΙΝ ΤΗ ΛΕΙΤΟΥΡΓΙΑ (Εικ. E1)

ΡΥΘΜΙΣΗ ΦΡΕΝΟΥ ΣΤΑΘΜΕΥΣΗΣ (Εικ. E2)

E2-1	Θέση φρένου στάθμευσης	E2-2	Θέση αποδέσμευσης
------	------------------------	------	-------------------

▲ ΠΡΟΕΙΔΟΠΟΙΗΣΗ! ΤΟ ΠΕΝΤΑΛ ΦΡΕΝΟΥ ΣΤΑΘΜΕΥΣΗΣ ΔΕΝ ΜΠΟΡΕΙ ΝΑ ΕΠΙΒΡΑΔΥΝΕΙ ΤΗΝ ΤΑΧΥΤΗΤΑ ΟΔΗΓΗΣΗΣ. ΠΟΤΕ ΜΗΝ ΠΡΟΣΠΑΘΕΙΤΕ ΝΑ ΠΑΤΗΣΕΤΕ ΤΟ ΠΕΝΤΑΛ ΦΡΕΝΟΥ ΣΤΑΘΜΕΥΣΗΣ ΓΙΑ ΝΑ ΕΠΙΒΡΑΔΥΝΕΤΕ ΤΗΝ ΤΑΧΥΤΗΤΑ ΟΔΗΓΗΣΗΣ ΚΑΤΑ ΤΗ ΔΙΑΡΚΕΙΑ ΑΥΤΗΣ. ΟΤΑΝ ΤΟ ΠΕΝΤΑΛ ΦΡΕΝΟΥ ΣΤΑΘΜΕΥΣΗΣ ΕΙΝΑΙ ΠΑΤΗΜΕΝΟ ΑΛΛΑ ΟΧΙ ΣΕ ΕΜΠΛΟΚΗ ΣΤΗ ΘΕΣΗ ΦΡΕΝΟΥ ΣΤΑΘΜΕΥΣΗΣ, ΤΟ ΗΛΕΚΤΡΙΚΟ ΦΡΕΝΟ ΔΕΝ ΕΙΝΑΙ ΠΛΕΟΝ ΑΠΟΤΕΛΕΣΜΑΤΙΚΟ ΚΑΙ ΤΟ ΤΡΑΚΤΕΡ ΘΑ ΣΤΑΜΑΤΗΣΕΙ ΝΑ ΚΙΝΕΙΤΑΙ ΣΕ ΕΠΙΠΕΔΗ ΕΠΙΦΑΝΕΙΑ. ΩΣΤΟΣΟ ΕΑΝ ΣΥΜΒΕΙ ΑΥΤΟ ΣΕ ΚΕΚΛΙΜΕΝΗ ΕΠΙΦΑΝΕΙΑ, ΤΟ ΤΡΑΚΤΕΡ ΜΠΟΡΕΙ ΝΑ ΚΥΛΗΣΕΙ ΣΤΗΝ ΕΠΙΦΑΝΕΙΑ ΑΥΤΗ ΜΟΛΙΣ ΑΦΕΘΕΙ ΤΟ ΠΕΝΤΑΛ ΦΡΕΝΟΥ ΣΤΑΘΜΕΥΣΗΣ.

▲ ΠΡΟΕΙΔΟΠΟΙΗΣΗ: ΤΡΑΒΗΤΕ ΕΠΑΝΩ ΤΟΝ ΜΟΧΛΟ ΑΣΦΑΛΙΣΗΣ ΦΡΕΝΟΥ ΣΤΑΘΜΕΥΣΗΣ ΚΑΙ ΠΙΕΣΤΕ ΑΜΕΣΩΣ ΤΟ ΠΕΝΤΑΛ ΦΡΕΝΟΥ ΣΤΑΘΜΕΥΣΗΣ ΓΙΑ ΝΑ ΤΟ ΕΜΠΛΕΞΕΤΕ ΣΤΗ ΘΕΣΗ ΦΡΕΝΟΥ ΣΤΑΘΜΕΥΣΗΣ. ΤΟ ΤΡΑΚΤΕΡ ΘΑ ΣΤΑΜΑΤΗΣΕΙ ΑΜΕΣΩΣ ΚΑΙ ΔΕΝ ΘΑ ΚΥΛΗΣΕΙ ΣΤΗΝ ΚΕΚΛΙΜΕΝΗ ΕΠΙΦΑΝΕΙΑ.

ΠΡΟΣΑΡΤΗΣΗ/ΑΦΑΙΡΕΣΗ ΤΗΣ ΣΥΣΤΟΙΧΙΑΣ ΜΠΑΤΑΡΙΩΝ (Εικ. E3 – E6)

Για να εκκινήσετε αυτό το τρακτέρ, απαιτούνται μπαταρίες EGO 15 Ah (2 X BA4200/BA4200T) ή μεγαλύτερης ισχύος. Για καλύτερη απόδοση, συνιστούμε τη χρήση μπαταριών EGO συνολικής απόδοσης τουλάχιστον 30 Ah.

E3-1	Κουμπί αποδέσμευσης καλύμματος	E5-1	Κουμπί αποδέσμευσης μπαταρίας
------	--------------------------------	------	-------------------------------

ΦΟΡΤΙΣΗ ΤΟΥ ΤΡΑΚΤΕΡ

Χρησιμοποιείτε μόνο τις συστοιχίες μπαταριών και τους φορτιστές που συνιστώνται.

- Φορτίζετε την/τις συστοιχία/συστοιχίες μπαταριών ξεχωριστά (Εικ. E7)

ΣΗΜΕΙΩΣΗ: Ανατρέξτε στα αντίστοιχα εγχειρίδια μπαταριών και φορτιστή για λεπτομερείς οδηγίες.

- Φορτίζετε την/τις συστοιχία/συστοιχίες μπαταριών μέσω θύρας φόρτισης (Εικ. E8 – E10)

E10-1	Πάμα σκόνης	E10-2	Θύρα φόρτισης
-------	-------------	-------	---------------

ΔΟΚΙΜΗ ΠΡΟΣΤΑΤΕΥΤΙΚΟΥ ΣΥΣΤΗΜΑΤΟΣ ΑΛΛΗΛΑΣΦΑΛΙΣΗΣ

α. Για να δοκιμάσετε το σύστημα λεπίδας του πλαισίου κοπής (Εικ. E11 – E12)

β. Για να δοκιμάσετε το σύστημα κίνησης (Εικ. E13 – E14)

Εάν το σύστημα λεπίδας του πλαισίου κοπής ή/και το σύστημα κίνησης δεν σταματήσει μόλις ο χειριστής σηκωθεί από κάθισμα και εάν η αιτία δεν μπορεί να προσδιοριστεί αφότου επιβεβαιωθεί η καλή σύνδεση του φιδι και της πρίζας του καθίσματος, επικοινωνήστε αμέσως με το κέντρο εξυπηρέτησης πελατών της EGO.

ΤΕΧΝΟΛΟΓΙΑ ΕΠΙΚΟΙΝΩΝΙΑΣ

Για περισσότερες πληροφορίες σχετικά με το πλήρες εύρος των συνδεδεμένων προϊόντων και υπηρεσιών μας, συμπεριλαμβανομένων των οδηγιών σύνδεσης, σαρώστε τον παρακάτω κωδικό QR ή μεταβείτε στη διεύθυνση www.egorowerplus.eu/connect.



ΛΙΣΤΑ ΕΛΕΓΧΟΥ ΠΡΙΝ ΤΗ ΛΕΙΤΟΥΡΓΙΑ

- Βεβαιωθείτε ότι στο χώρο εργασίας δεν υπάρχουν παιδιά, παρευρισκόμενοι και κατοικίδια.
- Καθαρίζετε το χώρο εργασίας από αντικείμενα που μπορεί να εκσφενδονιστούν από τις λεπίδες του τρακτέρ.
- Απομακρύνετε τα υπολείμματα από το τρακτέρ.
- Ελέγξτε για τυχόν χαλαρούς σφιγκτήρες.
- Ελέγξτε για να βεβαιωθείτε ότι όλες οι καλύπτρες βρίσκονται στη θέση τους και λειτουργούν απρόσκοπτα.
- Ελέγξτε οπτικά εάν τα ελαστικά είναι φουσκωμένα.
- Ελέγξτε τη λειτουργία φρένων.
- Ρυθμίστε το ύψος του πλαισίου κοπής στην επιθυμητή θέση κοπής που ταιριάζει καλύτερα στο γκαζόν και ρυθμίστε ανάλογα τους τροχούς με προστατευτικό λεπίδας.
- Ρυθμίστε τη θέση του καθίσματος και βεβαιωθείτε ότι η πρόσβαση και στα δύο πεντάλ είναι απρόσκοπτη.
- Επαληθεύστε το επίπεδο φόρτισης μπαταρίας.
- Δοκιμάστε το προστατευτικό σύστημα αλληλασφάλισης.
- Βεβαιωθείτε ότι το bagger γρασιδιού έχει τοποθετηθεί σωστά.

ΕΚΚΙΝΗΣΗ ΤΟΥ ΤΡΑΚΤΕΡ (Εικ. E15 – E16)

⚠ ΠΡΟΕΙΔΟΠΟΙΗΣΗ: Αποφεύγετε την απότομη εκκίνηση, το απότομο σταμάτημα και τις απότομες στροφές, καθώς και την υπερβολική ταχύτητα, ειδικά στην αρχή όταν μαθαίνετε να χειρίζεστε το τρακτέρ. Το τρακτέρ μπορεί να στροβιλιστεί υπερβολικά γρήγορα, κάνοντάς σας να χάσετε τον έλεγχο με αποτέλεσμα σοβαρό τραυματισμό ή/και ζημιά.

⚠ ΠΡΟΕΙΔΟΠΟΙΗΣΗ: Προτού θέσετε σε λειτουργία το τρακτέρ, ελέγχετε και βεβαιώνετε ότι οι λεπίδες αποδεσμεύονται εντός 5 δευτ. μόλις ωθήσετε το διακόπτη ΡΤΟ προς τα κάτω. Εάν οι λεπίδες δεν

σταματούν, μην χρησιμοποιείτε το τρακτέρ και επικοινωνήστε αμέσως με το τμήμα εξυπηρέτησης πελατών της EGO.

ΣΗΜΕΙΩΣΗ:

- Εάν το πεντάλ του φρένου στάθμευσης έχει ρυθμιστεί στη θέση φρένου στάθμευσης πρέπει μόνο να πατήσετε το κουμπί εκκίνησης/σταματήματος για 3 δευτερόλεπτα για να ανάψει η οθόνη LCD και κατόπιν να αφήσετε το πεντάλ φρένου στάθμευσης προτού οδηγήσετε το τρακτέρ.
- Οι λεπίδες κοπής μπορούν να εκκινηθούν οποιαδήποτε στιγμή μόλις η οθόνη LCD ανάψει πλήρως και ο μοχλός ελέγχου κατεύθυνσης δεν τραβηχτεί προς τα πίσω στην κατεύθυνση «R». Για να ενεργοποιήσετε τις λεπίδες ενώ οδηγείτε το τρακτέρ με την όπισθεν, ανατρέξτε στην ενότητα «**ΕΝΕΡΓΟΠΟΙΗΣΗ ΤΩΝ ΛΕΠΙΔΩΝ ΚΑΤΑ ΤΗΝ ΟΔΗΓΗΣΗ ΜΕ ΤΗΝ ΟΠΙΣΘΕΝ**» του παρόντος εγχειριδίου.

ΣΗΜΕΙΩΣΗ: Ακολουθήστε την Εικ. E17 για να επιτύχετε τη χαμηλότερη ταχύτητα οδήγησης μέχρι να είστε σε θέση να χειριστείτε το τρακτέρ σε όλες τις καταστάσεις.

Το ηλεκτρικό χλοοκοπτικό τρακτέρ δεν απομνημονεύει την ταχύτητα οδήγησης και τις ρυθμίσεις ταχύτητας λεπίδας. Η ταχύτητα οδήγησης και η ταχύτητα λεπίδων επιστρέφουν στο επίπεδο 2 κάθε φορά που το τρακτέρ απενεργοποιείται.

Ρύθμιση ταχύτητας οδήγησης (Εικ. E17)

Ρύθμιση ταχύτητας λεπίδας (Εικ. E18)

ΣΗΜΕΙΩΣΗ: Όταν βρίσκεστε στο «Επίπεδο 3», πατήστε ξανά το κουμπί ρύθμισης της ταχύτητας λεπίδας και η ταχύτητα της λεπίδας θα επανέλθει στην προηγούμενη ταχύτητα.

Φώτα LED (Εικ. E19)

- Οι προβολείς LED μπορούν να ενεργοποιηθούν και να απενεργοποιηθούν με τον διακόπτη λυχνίας LED.

Θύρα USB

ΣΗΜΕΙΩΣΗ: Η θύρα USB παρέχει ισχύ φόρτισης 5 volt DC με συνδυασμένη χρήση 1,5 Αμπέρ και ενεργοποιείται μόνο όταν εκκινείται το τρακτέρ.

ΣΤΑΜΑΤΗΜΑ ΤΟΥ ΤΡΑΚΤΕΡ (Εικ. E20)

⚠ ΠΡΟΕΙΔΟΠΟΙΗΣΗ! Θέτετε πάντα το πεντάλ του φρένου στάθμευσης στη θέση του φρένου στάθμευσης όταν το τρακτέρ σταματά να κινείται σε μια πλαγιά, διαφορετικά, το τρακτέρ μπορεί να κυλήσει στην πλαγιά, γεγονός που μπορεί να προκαλέσει σοβαρή ζημιά στο τρακτέρ ή ατομικό τραυματισμό!

ΣΗΜΕΙΩΣΗ: Εάν το πεντάλ φρένου στάθμευσης τεθεί στη θέση φρένου στάθμευσης και ο χειριστής δεν είναι στο κάθισμα, αλλά οι συστοιχίες μπαταριών δεν έχουν αφαιρεθεί:

- Σε περίπτωση απενεργοποίησης της οθόνης LCD, οι ενδείξεις της μπαταρίας, το κουμπί έναρξης/διακοπής και το κουμπί CCS θα παραμείνουν αναμμένα για 1 ώρα.
- Σε περίπτωση που στην οθόνη LCD εμφανίζεται η ένδειξη «δείκτης στάθμης καυσίμου» ή η διεπαφή χειριστή, το τρακτέρ θα απενεργοποιηθεί αυτόματα μετά από 1 ώρα.

Λειτουργία έκτακτης ανάγκης

Όταν η φόρτιση της μπαταρίας γίνει εξαιρετικά χαμηλή, το τρακτέρ μεταβαίνει στη λειτουργία έκτακτης ανάγκης για να εξοικονομήσει επαρκή ισχύ, προκειμένου να επιστρέψει στο χώρο φόρτισης.

- Οι λεπίδες μεταβαίνουν σε χαμηλή ταχύτητα περιστροφής, η οποία θα μπορούσε να κόψει μόνο πολύ μικρή ποσότητα γρασιδιού. Όταν συναντάτε ψηλό και πυκνό γρασίδι, οι λεπίδες σταματούν να περιστρέφονται. Η ηχητική ένδειξη θα ακουστεί (μπιπ) διακεκομμένα.
- Η ένδειξη κατάστασης του τρακτέρ θα αναβοσβήνει με κόκκινο χρώμα κάθε δευτερόλεπτο, ενώ θα αναβοσβήνει το εικονίδιο ειδοποίησης (χαμηλή ισχύς) και μαζί το εικονίδιο κάθε κατεληγμένου χώρου μπαταρίας.

Ο χειριστής πρέπει:

- Πιέστε το διακόπτη PTO προς τα κάτω για να απενεργοποιήσετε τους κινητήρες λεπίδων. Η ηχητική ένδειξη θα σταματήσει μόλις ακινητοποιηθούν οι κινητήρες λεπίδων.
- Σταματήστε την εργασία και μεταβείτε το συντομότερο δυνατό στο χώρο φόρτισης. Η μέγιστη απόσταση που μπορεί να διανύσει το τρακτέρ είναι 1000 m.

Όταν η μπαταρία είναι σχεδόν εξαντλημένη, το εικονίδιο ειδοποίησης (χαμηλής ισχύς) και μαζί το εικονίδιο κάθε κατεληγμένου χώρου μπαταρίας θα αναβοσβήνουν κάθε μισό δευτερόλεπτο. Το τρακτέρ θα σταματήσει αμέσως να λειτουργεί. Ο χειριστής πρέπει να μεταφέρει το τρακτέρ στο χώρο φόρτισης για τη φόρτιση.

ΣΗΜΕΙΩΣΗ: Εάν απαιτείται χειροκίνητη ώθηση, βεβαιωθείτε ότι οι μπαταρίες έχουν αποσυνδεθεί από το τρακτέρ και το πεντάλ φρένου στάθμευσης έχει αποδεσμευτεί από τη θέση φρένου στάθμευσης.

ΟΔΗΓΗΣΗ ΤΟΥ ΤΡΑΚΤΕΡ (Εικ. E21)

▲ ΚΙΝΔΥΝΟΣ: Παραμένετε τουλάχιστον δύο πλάτη κοπής μακριά από χαντάκια, απότομες κεκλιμένες επιφάνειες ή νερό. Οι μπροστινοί τροχοί ενδέχεται να περιστραφούν όταν το τρακτέρ είναι ακινητοποιημένο, ακόμα και με πατημένο το φρένο, ωθώντας το τρακτέρ προς τα άκρα ή το νερό, με αποτέλεσμα θάνατο ή σοβαρό ατομικό τραυματισμό.

▲ ΠΡΟΕΙΔΟΠΟΙΗΣΗ! Μην χρησιμοποιείτε το τρακτέρ σε δημόσιους δρόμους.

▲ ΠΡΟΕΙΔΟΠΟΙΗΣΗ! Σε περίπτωση εμπλοκής ή εάν χτυπήσετε ξένο αντικείμενο, σβήστε τους κινητήρες και βγάλτε τις μπαταρίες. Απομακρύνετε κομμένο γρασίδι, φύλλα, ρύπους και άλλα συσσωρευμένα υπολείμματα. Επιθεωρήστε σχολαστικά το τρακτέρ για ζημιές και επισκευάστε τη ζημιά προτού επανεκκινήσετε και χρησιμοποιήσετε το τρακτέρ.

ΣΗΜΕΙΩΣΗ:

- Κατά τη διάρκεια της οδήγησης, όταν αφήσετε το κάθισμα, η ένδειξη κατάστασης του τρακτέρ θα σβήσει. Όταν επανεκκινήσετε την οδήγηση, καθίστε πίσω στο κάθισμα και πατήστε εντελώς το πεντάλ φρένου στάθμευσης ώστε να ανάψει πράσινη η ένδειξη κατάστασης του τρακτέρ.
- Κατά την εναλλαγή μεταξύ κίνησης προς τα εμπρός και πίσω κατά τη διάρκεια της οδήγησης, μετακινείτε τον μοχλό ελέγχου κατεύθυνσης απευθείας από το ένα άκρο στο άλλο χωρίς

να σταματήσετε στην νεκρά, αλλιώς το τρακτέρ μπορεί να σταματήσει να κινείται.


ΧΡΗΣΗ ΣΥΣΤΗΜΑΤΟΣ ΕΛΕΓΧΟΥ ΠΟΡΕΙΑΣ (CCS)



Για την ενεργοποίηση (είσοδο) στο Cruise Control (CCS) (Εικ. E22)

ΣΗΜΕΙΩΣΗ: Ο μοχλός ταχύτητας οδήγησης που φαίνεται στην οθόνη LCD μπορεί να μην αναπαριστά με ακρίβεια την πραγματική ταχύτητα οδήγησης του τρακτέρ στη λειτουργία cruise control. Πατήστε το κουμπί ρύθμισης ταχύτητας για να «ανανεώσετε» το επίπεδο ταχύτητας οδήγησης στην οθόνη LCD.

Για να σταματήσετε (εξέλθετε) το Cruise Control (CCS), μπορείτε να επιλέξετε έναν από τους τρεις τρόπους:

- Πατήστε τέρμα το γκάζι και συνεχίστε να το πατάτε. Η λειτουργία CCS θα σταματήσει και το τρακτέρ θα συνεχίσει την οδήγηση.
- Πατήστε ελαφρά το γκάζι και, στη συνέχεια, αποδεσμεύστε. Το τρακτέρ και η λειτουργία CCS θα σταματήσουν.
- Πατήστε το κουμπί CCS. Το τρακτέρ και η λειτουργία CCS θα σταματήσουν.

ΣΗΜΕΙΩΣΗ: Όταν το CCS σταματήσει, το εικονίδιο «» θα εξαφανιστεί από την οθόνη LCD και θα ακουστεί δύο φορές ένας ήχος μπιπ.

ΣΗΜΕΙΩΣΗ: Εάν το πεντάλ φρένου στάθμευσης είναι πατημένο, το τρακτέρ θα σταματήσει, αλλά το εικονίδιο «» θα αναβοσβήνει στην οθόνη LCD για να υποδηλώσει ότι το CCS βρίσκεται σε κατάσταση αναμονής. Σε αυτή την περίπτωση, αφήστε το πεντάλ του φρένου στάθμευσης και πατήστε το κουμπί CCS. Το τρακτέρ θα συνεχίσει να κινείται αυτόματα και το εικονίδιο «» θα σταματήσει να αναβοσβήνει.

ΕΝΕΡΓΟΠΟΙΗΣΗ ΤΩΝ ΛΕΠΙΔΩΝ ΚΑΤΑ ΤΗΝ ΚΙΝΗΣΗ ΟΠΙΣΘΕΝ

ΣΗΜΕΙΩΣΗ: Δεν συνιστάται το κούρεμα με την όπισθεν.


▲ ΠΡΟΕΙΔΟΠΟΙΗΣΗ! Να είστε ιδιαίτερα προσεκτικοί όταν κουρεύετε με την όπισθεν. Βεβαιώστε πάντα ότι δεν εισέρχονται άτομα στην περιοχή εργασίας, ιδίως μικρά παιδιά, πριν και κατά τη διάρκεια του κουρέματος με την όπισθεν.

▲ ΠΡΟΕΙΔΟΠΟΙΗΣΗ! Η ορατότητα των χειριστών μπορεί να επηρεαστεί κατά το χειρισμό του τρακτέρ που είναι συνδεδεμένο με το kit bagger. Πρέπει πάντα να είστε προσεκτικοί, να εξοικειώνεστε και να λαμβάνετε υπόψη το περιβάλλον πριν και κατά τη διάρκεια της κοπής με όπισθεν.



Για να ενεργοποιήσετε (εισέλθετε) σε ΚΟΥΡΕΜΑ ΜΕ ΟΠΙΣΘΕΝ (E23)

Για να σταματήσετε (εξέλθετε) από την ΚΟΥΡΕΜΑ ΜΕ ΟΠΙΣΘΕΝ, μπορείτε να επιλέξετε έναν από τους τέσσερις τρόπους:

- Πιέστε μία φορά το κουμπί ΚΟΥΡΕΜΑ ΜΕ ΟΠΙΣΘΕΝ.
- Σηκωθείτε από το κάθισμα του τρακτέρ.
- Πατήστε το κουμπί εκκίνησης/σταματήματος για 3 δευτερόλεπτα για να απενεργοποιήσετε την οθόνη LCD.
- Αφαιρέστε το κλειδί ασφαλείας ή αφαιρέστε την (τις) συστοιχία(ες) μπαταριών για να απενεργοποιήσετε το τρακτέρ.

ΣΗΜΕΙΩΣΗ: Όταν σταματήσει η ΚΟΥΡΕΜΑ ΜΕ ΟΠΙΣΘΕΝ, θα ανάψει το εικονίδιο «» στην οθόνη LCD.

ΕΚΚΕΝΩΣΗ ΤΟΥ BAGGER ΓΡΑΣΙΔΙΟΥ (Εικ. E24)

ΣΗΜΕΙΩΣΗ: Όταν το εικονίδιο «» αναβοσβήνει στην οθόνη LCD, το bagger είναι γεμάτο. Μετά το άδειασμα του bagger, το εικονίδιο «» θα εξαφανιστεί από την οθόνη LCD.

ΣΗΜΕΙΩΣΗ: Το bagger γρασιδιού πρέπει να επανατοποθετηθεί σωστά επάνω στο τρακτέρ, αλλιώς το τρακτέρ μπορεί να οδηγείται αλλά τα μοτέρ λεπίδων δεν ενεργοποιούνται.

ΣΥΝΤΗΡΗΣΗ

⚠ ΠΡΟΕΙΔΟΠΟΙΗΣΗ! Φοράτε πάντα προστασία των ματιών με πλαϊνά προστατευτικά. Στην αντίθετη περίπτωση, ενδέχεται να εκτοξευτούν αντικείμενα στα μάτια σας με συνέπεια ενδεχόμενο σοβαρό τραυματισμό.

⚠ ΠΡΟΕΙΔΟΠΟΙΗΣΗ! Προστατεύετε πάντα τα χέρια σας, φορώντας γάντια βαριάς χρήσης ή τυλίγοντας τις αιχμηρές κόψεις με πανιά ή άλλα υλικά όταν διεξάγετε εργασίες συντήρησης στη λεπίδα του τρακτέρ. Αφαιρείτε πάντα το κλειδί ασφαλείας και τις συστοιχίες μπαταριών κατά τη συντήρηση ή μεταφορά του τρακτέρ.

ΠΡΟΤΕΙΝΟΜΕΝΟ(Α) ΠΡΟΓΡΑΜΜΑ(ΠΡΟΓΡΑΜΜΑΤΑ) ΣΥΝΤΗΡΗΣΗΣ

Διάστημα εργασιών συντήρησης	Διαδικασία συντήρησης
Πριν από κάθε χρήση ή καθημερινά	<ul style="list-style-type: none"> ■ Ελέγξτε το προστατευτικό σύστημα αλληλασφάλισης. ■ Ελέγξτε οπτικά εάν τα ελαστικά είναι φουσκωμένα. ■ Επιθεωρήστε τις λεπίδες. ■ Επιθεωρήστε ολόκληρο το προϊόν για χαλασμένα, ελλιπή ή χαλαρά μέρη, όπως είναι η χοάνη πλευρικής εξαγωγής, οι βίδες, τα παξιμάδια, τα μπουλόνια, τα πώματα, κτλ., διασφαλίζοντας ότι όλες οι καλύπτρες βρίσκονται στη θέση τους και λειτουργούν απρόσκοπτα. ■ Ελέγξτε και βεβαιωθείτε ότι το γκάζι επιδέχεται σωστό πάτημα και αποδέσμευση. ■ Ελέγξτε το αμορτισέρ τιμονιού. Το τιμόνι πρέπει να περιστρέφεται προβάλλοντας κάποια αντίσταση.
Μετά από κάθε χρήση	<ul style="list-style-type: none"> ■ Καθαρίζετε το τρακτέρ και πλύνετε το ντεκ.
Κάθε 25 ώρες	<ul style="list-style-type: none"> ■ Ελέγξτε την πίεση ελαστικών.

Κάθε 100 ώρες	<ul style="list-style-type: none"> ■ Ελέγχετε τους πίσω τροχούς, διασφαλίζοντας ότι όλα τα παξιμάδια τροχών είναι σφιγμένα με την προτεινόμενη ροπή σύσφιξης (101-103 Nm). ■ Ελέγξτε τους μπροστινούς τροχούς, διασφαλίζοντας ότι το παξιμάδι έχει σφιχτεί σύμφωνα με την προτεινόμενη ροπή σύσφιξης (90-92 Nm).
Κάθε 200 ώρες	<ul style="list-style-type: none"> ■ Ελέγξτε τους μπροστινούς τροχούς διασφαλίζοντας ότι περιστρέφονται απρόσκοπτα.
Κάθε εξάμηνο	<ul style="list-style-type: none"> ■ Ελέγξτε το πεντάλ φρένου στάθμευσης. Αφαιρέστε την μπαταρία από το τρακτέρ, στη συνέχεια, τραβήξτε προς τα πάνω το μοχλό ασφάλισης φρένου στάθμευσης και πατήστε το πεντάλ φρένου στάθμευσης για να ρυθμίσετε το φρένο στάθμευσης. Σπρώξτε χειροκίνητα το τρακτέρ προς τα εμπρός για να διαπιστώσετε αν το τρακτέρ μπορεί να μετακινηθεί χωρίς να περιστρέφονται οι πίσω τροχοί. Εάν το τρακτέρ κινείται και οι πίσω τροχοί περιστρέφονται εν τω μεταξύ, επικοινωνήστε με το κέντρο εξυπηρέτησης πελατών της EGO για επισκευή.
Πριν την αποθήκευση	<ul style="list-style-type: none"> ■ Αφαιρέστε τις μπαταρίες από το τρακτέρ. ■ Αφαιρέστε το κλειδί ασφαλείας από το τρακτέρ. ■ Πραγματοποιήστε όλες τις διαδικασίες συντήρησης που αναφέρονται παραπάνω και καθαρίστε σχολαστικά το τρακτέρ. ■ Επιθεωρήστε ολόκληρο το προϊόν για κατεστραμμένα, ελλιπή ή χαλαρά εξαρτήματα, και αντικαταστήστε ή συσφίξτε τα αντίστοιχα εξαρτήματα πριν την αποθήκευση.
Ετήσια	<ul style="list-style-type: none"> ■ Λιπάνετε τα χιτώνια του άξονα των μπροστινών τροχών.

GR

ΓΕΝΙΚΗ ΣΥΝΤΗΡΗΣΗ

Άδειασμα του γρασιδιού (Εικ. F1 – F3)

Καθαρισμός του περιβλήματος τρακτέρ (Εικ. F4)

Χρήση της θύρας πλύσης για τον καθαρισμό του ντεκ τρακτέρ (Εικ. F5 – F6)

F5-1	Θύρα πλύσης	F5-2	Ταχυσύνδεσμος θύρας πλύσης
F5-3	Λάστιχο κήπου		

ΣΗΜΕΙΩΣΗ: Όταν ολοκληρώσετε τον καθαρισμό, απενεργοποιήστε πλήρως το τρακτέρ και στη συνέχεια αφαιρέστε το λάστιχο κήπου και τον ταχυσύνδεσμο.

ΣΥΝΤΗΡΗΣΗ ΤΟΥ ΝΤΕΚ ΤΡΑΚΤΕΡ ΚΑΙ ΤΩΝ ΛΕΠΙΔΩΝ ΚΟΠΗΣ

Προετοιμασία (Εικ. G1)

Αφαίρεση του ντεκ (Εικ. G2 – G3)

G2-1	Καλώδιο κινητήρα	G2-2	Ασφαλιστική περόνη
G2-3	Σύνδεσμος ανάρτησης		

Αντικατάσταση των λεπίδων κοπής (Εικ. G4 – G6)

G4-1	Σταθεροποιητής	G5-1	Μπουλόνι
G5-2	Ροδέλα	G5-3	Λεπίδα
G5-4	Φλάντζα	G5-5	Άξονας κινητήρα

Αλφάδιασμα του ντεκ

- α. Πότε απαιτείται αλφάδιασμα (Εικ. G7 / Εικ. G8 / Εικ. G9)
- β. Πριν το αλφάδιασμα
 - Έλεγχος πίεσης ελαστικών εν ψυχρώ (Εικ. G10)
 - Έλεγχος των λεπίδων κοπής. Απομακρύνετε και αντικαθιστάτε φθαρμένες, ραγισμένες και/ή λυγισμένες λεπίδες, εάν είναι απαραίτητο.
- γ. Προετοιμασία αλφαδιάσματος (Εικ. G11)
- δ. Τρόπος αλφαδιάσματος
 - Ρύθμιση από άκρη σε άκρη (Εικ. G12)
 - Ρύθμιση από εμπρός προς τα πίσω (Εικ. G13)

ΑΠΟΘΗΚΕΥΣΗ ΚΑΙ ΜΕΤΑΦΟΡΑ

ΜΕΤΑΦΟΡΑ ΤΟΥ ΤΡΑΚΤΕΡ (Εικ. H1 – H5)

H2-1	Ράμπες	H2-2	Ιμάντες
------	--------	------	---------

ΣΗΜΕΙΩΣΗ: Ασφαλίστε το τρακτέρ όπως απαιτείται χρησιμοποιώντας ιμάντες ή συρματόσχοινα για να εμποδίσετε κίνηση κατά τη μεταφορά

ΑΠΟΘΗΚΕΥΣΗ (Εικ. I1 – I2)

ΣΗΜΕΙΩΣΗ: Αφαιρέστε και αποθηκεύστε την(τις) συστοιχία(ες) μπαταριών ξεχωριστά, ανατρέξτε σχετικά στα αντίστοιχα εγχειρίδια.

Καθαρίστε και ελέγξτε το τρακτέρ πριν από την αποθήκευση, ανατρέξτε σχετικά στις ενότητες «ΓΕΝΙΚΗ ΣΥΝΤΗΡΗΣΗ» και «ΣΥΝΙΣΤΩΜΕΝΟ ΠΡΟΓΡΑΜΜΑ ΣΥΝΤΗΡΗΣΗΣ».


Προστασία του περιβάλλοντος



ΑΗΗΕ (Απόβλητα ειδών ηλεκτρικού και ηλεκτρονικού εξοπλισμού) – Μην απορρίπτετε ηλεκτρικό εξοπλισμό, παλιές μπαταρίες και φορτιστές στα οικιακά απορρίμματα! Μεταφέρετε αυτό το προϊόν σε εξουσιοδοτημένο κέντρο ανακύκλωσης και διαθέστε το για ξεχωριστή συλλογή. Τα ηλεκτρικά εργαλεία πρέπει να επιστρέφονται σε περιβαλλοντικά συμβατή μονάδα ανακύκλωσης.

ΑΝΤΙΜΕΤΩΠΙΣΗ ΠΡΟΒΛΗΜΑΤΩΝ

ΠΡΟΒΛΗΜΑ	ΑΙΤΙΑ	ΑΝΤΙΜΕΤΩΠΙΣΗ
<p>Το ηλεκτρικό χλοοκοπτικό τρακτέρ δεν κινείται όταν πατιέται το γκάζι.</p>	<ul style="list-style-type: none"> Ο συνδυασμός Ah των τοποθετημένων μπαταριών δεν ανταποκρίνεται στις προδιαγραφές. 	<ul style="list-style-type: none"> Για να εκκινήσετε αυτό το τρακτέρ, χρησιμοποιήστε κατάλληλες μπαταρίες EGO σύμφωνα με τις οδηγίες στην ενότητα «ΠΡΟΣΑΡΤΗΣΗ/ΑΠΟΜΑΚΡΥΝΣΗ ΤΗΣ ΣΥΣΤΟΙΧΙΑΣ ΜΠΑΤΑΡΙΩΝ» στο παρόν εγχειρίδιο.
	<ul style="list-style-type: none"> Το πεντάλ φρένου στάθμευσης είναι ρυθμισμένο στη θέση πέδησης. 	<ul style="list-style-type: none"> Πατήστε το πεντάλ φρένου στάθμευσης μέχρι τέρμα για να το αποδεσμεύσετε από τη θέση πέδησης.
	<ul style="list-style-type: none"> Η ενδεικτική λυχνία κατάστασης του τρακτέρ δεν ανάβει με πράσινο χρώμα. 	<ul style="list-style-type: none"> Πατήστε το πεντάλ φρένου στάθμευσης και στη συνέχεια αφήστε το. Η ένδειξη κατάστασης του τρακτέρ θα ανάψει πράσινη, οπότε το τρακτέρ είναι έτοιμο για χρήση.
	<ul style="list-style-type: none"> Ο χειριστής δεν κάθεται στο κάθισμα. 	<ul style="list-style-type: none"> Το τρακτέρ μπορεί να χρησιμοποιηθεί μόνο όταν ο χειριστής κάθεται σωστά στο κάθισμα.
	<ul style="list-style-type: none"> Το προστατευτικό σύστημα αλληλασφάλισης δεν έχει συνδεθεί σωστά. 	<ul style="list-style-type: none"> Αφαιρέστε τις μπαταρίες από το τρακτέρ και ανασηκώστε το πίσω μέρος του καθίσματος προς τα πάνω για να βεβαιωθείτε ότι το βύσμα του καλωδίου είναι σωστά συνδεδεμένο στην υποδοχή στο κάτω μέρος του καθίσματος (βλέπε κεφάλαιο «ΕΓΚΑΤΑΣΤΑΣΗ ΤΟΥ ΚΑΘΙΣΜΑΤΟΣ»). Ακολουθήστε τις οδηγίες στην ενότητα «ΕΚΚΙΝΗΣΗ ΤΟΥ ΤΡΑΚΤΕΡ» για να επανεκκινήσετε το τρακτέρ και να δείτε αν είναι δυνατή εκκίνησή του. Εάν όχι, επικοινωνήστε με το κέντρο εξυπηρέτησης πελατών της EGO για επίσκεψη.
	<ul style="list-style-type: none"> Υπό ακραία ψυχρές καιρικές συνθήκες η λειτουργία οδήγησης μπορεί να μην ενεργοποιηθεί λόγω της προστασίας από χαμηλές θερμοκρασίες. 	<ul style="list-style-type: none"> Αποθηκεύετε πάντα το τρακτέρ και τις μπαταρίες σε θερμό περιβάλλον. Επανεκκινήστε το τρακτέρ όταν ζεσταθεί. Μην κάνετε επαναλαμβανόμενες απόπειρες υπό ακραία ψυχρές καιρικές συνθήκες διότι έτσι μπορεί να προκληθεί ζημιά στη μηχανή.
	<ul style="list-style-type: none"> Η διαδρομή κίνησης του γκαζιού είναι φραγμένη με υπολείμματα. 	<ul style="list-style-type: none"> Απομακρύνετε τυχόν υπολείμματα
	<ul style="list-style-type: none"> Βλάβη μηχανικών ή ηλεκτρονικών εξαρτημάτων του γκαζιού. Ο μοχλός ελέγχου κατεύθυνσης τοποθετείται στην ουδέτερη θέση. 	<ul style="list-style-type: none"> Επικοινωνήστε με κέντρο εξυπηρέτησης πελατών της EGO για επίσκεψη. Πιέστε/τραβήξτε το μοχλό ελέγχου κατεύθυνσης προς την κατεύθυνση «D» ή «R».

ΠΡΟΒΛΗΜΑ	ΑΙΤΙΑ	ΑΝΤΙΜΕΤΩΠΙΣΗ
<p>Το ηλεκτρικό χλοοκοπτικό τρακτέρ σταματάει να κινείται.</p>	<ul style="list-style-type: none"> Κατά την εναλλαγή μεταξύ κίνησης προς τα εμπρός και πίσω κατά τη διάρκεια της οδήγησης ο μοχλός ελέγχου κατεύθυνσης παραμένει στην ουδέτερη θέση για μεγάλο χρονικό διάστημα. 	<ul style="list-style-type: none"> Αφήστε το πεντάλ γκαζιού και στη συνέχεια πατήστε το ξανά.
	<ul style="list-style-type: none"> Βλάβη ηλεκτρονικών εξαρτημάτων του γκαζιού. 	<ul style="list-style-type: none"> Επικοινωνήστε με κέντρο εξυπηρέτησης πελατών της EGO για επισκευή.
	<ul style="list-style-type: none"> Το προστατευτικό σύστημα αλληλασφάλισης καθίσματος έχει αποσυνδεθεί κατά την οδήγηση σε ανώμαλο έδαφος. 	<ul style="list-style-type: none"> Αφαιρέστε τις μπαταρίες από το τρακτέρ και ανασηκώστε το πίσω μέρος του καθίσματος προς τα πάνω για να βεβαιωθείτε ότι το βύσμα του καλωδίου είναι σωστά συνδεδεμένο στην υποδοχή στο κάτω μέρος του καθίσματος (βλέπε κεφάλαιο «ΕΓΚΑΤΑΣΤΑΣΗ ΤΟΥ ΚΑΘΙΣΜΑΤΟΣ»). Ακολουθήστε τις οδηγίες στην ενότητα «ΕΚΚΙΝΗΣΗ ΤΟΥ ΤΡΑΚΤΕΡ» για να επανεκκινήσετε το τρακτέρ και να δείτε αν είναι δυνατή εκκίνησή του. Εάν δεν είναι, επικοινωνήστε με το κέντρο εξυπηρέτησης πελατών της EGO για επισκευή.
	<ul style="list-style-type: none"> Το βάρος του χειριστή δεν κατανέμεται ομοιόμορφα στο κάθισμα. Το βάρος του χειριστή στο κάθισμα πρέπει να είναι τουλάχιστον 20 kg για να λειτουργεί σωστά το προστατευτικό σύστημα αλληλασφάλισης καθίσματος 	<ol style="list-style-type: none"> Καθίστε σωστά στο κάθισμα, πατήστε πλήρως το πεντάλ του φρένου στάθμευσης και αφήστε το, στη συνέχεια το τρακτέρ θα είναι έτοιμο για οδήγηση. Αποσυνδέστε και προσαρτήστε εκ νέου τις μπαταρίες εφόσον απαιτείται.
	<ul style="list-style-type: none"> Εάν πατηθεί το πεντάλ φρένου στάθμευσης αρκετά αλλά δεν ασφαλίσει στη θέση στάθμευσης, το τρακτέρ θα σταματήσει. 	<ul style="list-style-type: none"> Ακολουθήστε τις οδηγίες στην ενότητα «ΕΚΚΙΝΗΣΗ ΤΟΥ ΤΡΑΚΤΕΡ» για να επανεκκινήσετε το τρακτέρ.
<p>GR</p> <p>Το ηλεκτρικό χλοοκοπτικό τρακτέρ δεν εκκινεί τις λεπίδες όταν ο διακόπτης PTO είναι ενεργοποιημένος.</p> <p> Το εικονίδιο του διακόπτη PTO αναβοσβήνει</p>	<ul style="list-style-type: none"> Ο συνδυασμός Ah των τοποθετημένων μπαταριών δεν ανταποκρίνεται στις προδιαγραφές. 	<ul style="list-style-type: none"> Για να εκκινήσετε αυτό το τρακτέρ, χρησιμοποιήστε κατάλληλες μπαταρίες EGO σύμφωνα με τις οδηγίες στην ενότητα «ΠΡΟΣΑΡΤΗΣΗ/ΑΠΟΜΑΚΡΥΝΣΗ ΤΗΣ ΣΥΣΤΟΙΧΙΑΣ ΜΠΑΤΑΡΙΩΝ» στο παρόν εγχειρίδιο.
	<ul style="list-style-type: none"> Ο διακόπτης PTO δεν ωθήθηκε προς τα κάτω κατά την τελευταία απενεργοποίηση του τρακτέρ. 	<ul style="list-style-type: none"> Πιέστε το διακόπτη PTO προς τα κάτω και, στη συνέχεια, προς τα πάνω για να επανεκκινήσετε τους κινητήρες λεπίδων.
	<ul style="list-style-type: none"> Το τρακτέρ είναι υπερφορτωμένο κατά τη στιγμή που οι λεπίδες αρχίζουν να περιστρέφονται, ενεργοποιώντας την αυτο-προστασία των μοτέρ λεπίδας. 	<ul style="list-style-type: none"> Εκκινήστε την κοπή γρασιδιού σε χαμηλότερη ταχύτητα λεπίδας πρώτα και μην αυξάνετε την ταχύτητα λεπίδας μέχρι οι λεπίδες να περιστρέφονται επιτυχώς.
	<ul style="list-style-type: none"> Υπό ακραία ψυχρές καιρικές συνθήκες ο κινητήρας λεπίδων μπορεί να μην ενεργοποιηθεί λόγω της προστασίας από χαμηλές θερμοκρασίες. 	<ul style="list-style-type: none"> Αποθηκεύετε πάντα το τρακτέρ και τις μπαταρίες σε θερμό περιβάλλον. Επανεκκινήστε το τρακτέρ όταν ζεσταθεί. Μην κάνετε επαναλαμβανόμενες απόπειρες υπό ακραία ψυχρές καιρικές συνθήκες διότι έτσι μπορεί να προκληθεί ζημιά στη μηχανή.
	<ul style="list-style-type: none"> Η λεπίδα παρεμβαίνει στο παραμορφωμένο ντεκ του τρακτέρ 	<ul style="list-style-type: none"> Επικοινωνήστε με το κέντρο εξυπηρέτησης πελατών της EGO για επισκευή.
	<ul style="list-style-type: none"> Το bagger γρασιδιού δεν έχει εγκατασταθεί σωστά. 	<ul style="list-style-type: none"> Εγκαταστήστε σωστά το bagger γρασιδιού ακολουθώντας τα αναφερόμενα στην ενότητα «ΕΓΚΑΤΑΣΤΑΣΗ ΤΟΥ BAGGER ΓΡΑΣΙΔΙΟΥ» στο εγχειρίδιο.

ΠΡΟΒΛΗΜΑ	ΑΙΤΙΑ	ΑΝΤΙΜΕΤΩΠΙΣΗ
Οι λεπίδες σταματούν να περιστρέφονται κατά τη διάρκεια της κοπής γρασιδιού.	<ul style="list-style-type: none"> Το τρακτέρ έχει υπερφορτωθεί. 	<ul style="list-style-type: none"> Αυξήστε το ύψος κοπής του ντεκ ή μειώστε την ταχύτητα οδήγησης για να μειώσετε το φορτίο του τρακτέρ.
	<ul style="list-style-type: none"> Το ντεκ έχει φράξει με γρασίδι και υπολείμματα. 	<ul style="list-style-type: none"> Καθαρίστε το ντεκ και βεβαιωθείτε ότι οι λεπίδες κινούνται ελεύθερα.
	<ul style="list-style-type: none"> Το τρακτέρ έχει υπερθερμανθεί. 	<ul style="list-style-type: none"> Μειώστε το φορτίο του τρακτέρ, αυξάνοντας το ύψος κοπής του ντεκ ή μειώνοντας την ταχύτητα λεπίδας / οδήγησης και αφήστε το τρακτέρ να κρυώσει.
	<ul style="list-style-type: none"> Η/Οι συστοιχία/ιες μπαταριών στο χώρο μπαταρίας του τρακτέρ έχει υπερθερμανθεί με αποτέλεσμα συνδυασμό τιμής Ah όλων των τοποθετημένων μπαταριών που δεν αντιστοιχεί στις απαιτήσεις 	<ol style="list-style-type: none"> Το τρακτέρ μπορεί να συνεχίσει να λειτουργεί εάν η συνδυαζόμενη τιμή μπαταρίας Ah, εκτός της υπερθερμασμένης μπαταρίας, ανταποκρίνεται στις προδιαγραφές. Μόλις η υπερθερμασμένη μπαταρία επιστρέψει σε φυσιολογική θερμοκρασία, θα συμμετάσχει αμέσως στην παροχή ισχύος στο τρακτέρ. Εάν η συνδυαζόμενη τιμή μπαταρίας Ah δεν ανταποκρίνεται στις προδιαγραφές, το τρακτέρ δεν θα λειτουργήσει μέχρι να τοποθετηθούν περισσότερες συστοιχίες μπαταριών μέσα στον κενό χώρο μπαταριών. Μειώστε το φορτίο του τρακτέρ αυξάνοντας το ύψος κοπής του ντεκ ή επιβραδύνοντας την ταχύτητα οδήγησης κατά τη συνέχιση της λειτουργίας.
	<ul style="list-style-type: none"> Το τρακτέρ βρίσκεται σε κατάσταση Limp-Home. 	<ul style="list-style-type: none"> Όταν το τρακτέρ βρίσκεται στη λειτουργία Limp-Home οι λεπίδες τίθενται αυτόματα στην ταχύτητα χαμηλής περιστροφής. Ο χειριστής πρέπει να σταματήσει την εργασία και να μετακινηθεί το συντομότερο δυνατό στο χώρο φόρτισης μπαταρίας.
	<ul style="list-style-type: none"> Το τρακτέρ χτύπησε ξένο αντικείμενο, με αποτέλεσμα την ενεργοποίηση της αυτοπροστασίας κινητήρα. 	<ul style="list-style-type: none"> Πιέστε το διακόπτη PTO προς τα κάτω και, στη συνέχεια, προς τα πάνω για να επανεκκινήσετε τους κινητήρες λεπίδων.
	<ul style="list-style-type: none"> Το τρακτέρ κινείται με την όπισθεν και στην οθόνη LCD ανάβει το εικονίδιο ΚΟΠΗ ΜΕ ΟΠΙΣΘΕΝ OFF. 	<ul style="list-style-type: none"> Πιέστε το διακόπτη PTO προς τα κάτω και επανεκκινήστε τους κινητήρες λεπίδων ακολουθώντας τις οδηγίες στην ενότητα «Για να ενεργοποιήσετε (εισέλθετε) στην ΚΟΠΗ ΜΕ ΟΠΙΣΘΕΝ».
Η ηχητική ένδειξη εξακολουθεί να ηχεί.	<ul style="list-style-type: none"> Το τρακτέρ βρίσκεται στη λειτουργία Limp-Home και οι λεπίδες δεν απενεργοποιούνται. 	<ul style="list-style-type: none"> Πιέστε το διακόπτη PTO προς τα κάτω για να απενεργοποιήσετε τους κινητήρες λεπίδων. Η ηχητική ένδειξη θα σταματήσει να ηχεί μόλις απενεργοποιηθούν οι κινητήρες λεπίδων.
	<ul style="list-style-type: none"> Το τρακτέρ σταματάει να κινείται σε κεκλιμένη επιφάνεια και ο χειριστής δεν είναι στο κάθισμα και δεν έχει θέσει το πεντάλ φρένου στάθμευσης στη θέση φρένου στάθμευσης. 	<ul style="list-style-type: none"> Θέστε το πεντάλ φρένου στάθμευσης στη θέση φρένου στάθμευσης πριν αφήσετε το τρακτέρ στην κεκλιμένη επιφάνεια.

ΠΡΟΒΛΗΜΑ	ΑΙΤΙΑ	ΑΝΤΙΜΕΤΩΠΙΣΗ
Οι δείκτες ισχύος στις συστοιχίες μπαταριών συνεχίζουν να ανάβουν όταν το τρακτέρ είναι απενεργοποιημένο.	<ul style="list-style-type: none"> Όταν το τρακτέρ απενεργοποιείται σε επίπεδο έδαφος χωρίς να αφαιρεθεί η/οι συστοιχία/ες μπαταριών από το τρακτέρ, οι δείκτες ισχύος παραμένουν αναμμένοι για μια χρονική περίοδο. 	<ul style="list-style-type: none"> Δεν απαιτείται καμία ενέργεια. Οι ενδείξεις μπαταρίας σβήνουν όταν το τρακτέρ απενεργοποιείται μετά από μια χρονική περίοδο. Ανατρέξτε στην ενότητα «ΣΤΑΜΑΤΗΜΑ ΤΟΥ ΤΡΑΚΤΕΡ» για τον συγκεκριμένο χρόνο
	<ul style="list-style-type: none"> Όταν το τρακτέρ απενεργοποιείται σε μια πλαγιά χωρίς να τεθεί το φρένο στάθμευσης, οι ενδείξεις ισχύος των συστοιχιών μπαταριών θα παραμείνουν αναμμένες μέχρι να αποφορτιστεί η μπαταρία. Η ηχητική ένδειξη εξακολουθεί να ηχεί ταυτόχρονα. 	<ul style="list-style-type: none"> Βάλτε το πεντάλ φρένου στάθμευσης στη θέση του φρένου στάθμευσης πριν αφήσετε το τρακτέρ στην πλαγιά. Διαφορετικά το τρακτέρ μπορεί να κυλήσει στην κεκλιμένη επιφάνεια.
Η οθόνη LCD δεν ανάβει με όλα τα εικονίδια.	<ul style="list-style-type: none"> Το κουμπί εκκίνησης/σταματήματος δεν πατήθηκε για αρκετό χρόνο. 	<ol style="list-style-type: none"> Η οθόνη LCD θα προβάλλει μόνο το «δείκτη στάθμης καυσίμου» εάν πατηθεί στιγμιαία το κουμπί ενεργοποίησης/απενεργοποίησης. Η οθόνη LCD ενεργοποιείται αφότου πατηθεί πλήρως το πεντάλ φρένου στάθμευσης και πατώντας ταυτόχρονα το κουμπί έναρξης/σταματήματος για αρκετό χρόνο.
	<ul style="list-style-type: none"> Όταν το εικονίδιο του κλειδιού ασφαλείας «» αναβοσβήνει στην οθόνη LCD, το κλειδί ασφαλείας δεν έχει εισαχθεί. 	<ul style="list-style-type: none"> Εισαγάγετε το κλειδί ασφαλείας, κατόπιν πατήστε μέχρι τέρμα το πεντάλ φρένου στάθμευσης και πιέστε το κουμπί έναρξης/σταματήματος για αρκετό χρόνο ταυτόχρονα ώστε να ενεργοποιηθεί η οθόνη LCD.
	<ul style="list-style-type: none"> Όταν το εικονίδιο του φρένου στάθμευσης «» αναβοσβήνει στην οθόνη LCD, το πεντάλ φρένου στάθμευσης δεν είναι πλήρως πατημένο. 	<ul style="list-style-type: none"> Εισαγάγετε το κλειδί ασφαλείας, κατόπιν πατήστε μέχρι τέρμα το πεντάλ φρένου στάθμευσης και πιέστε το κουμπί έναρξης/σταματήματος για αρκετό χρόνο ταυτόχρονα ώστε να ενεργοποιηθεί η οθόνη LCD.
Το τρακτέρ κόβει ανομοιόμορφα με σημαντική διαφορά ύψους μπροστά και πίσω.	<ul style="list-style-type: none"> Οι λεπίδες είναι στομωμένες. 	<ul style="list-style-type: none"> Τροχήστε ή αντικαταστήστε τις λεπίδες κοπής σύμφωνα με τις οδηγίες στο παρόν εγχειρίδιο.
	<ul style="list-style-type: none"> Οι λεπίδες είναι λυγισμένες. 	<ul style="list-style-type: none"> Αντικαταστήστε τις λυγισμένες λεπίδες κοπής σύμφωνα με τις οδηγίες στην ενότητα «Αντικατάσταση των λεπίδων κοπής».
	<ul style="list-style-type: none"> Το ντεκ δεν είναι αλφαδιασμένο, με αποτέλεσμα διαφορετικό ύψος κοπής της λεπίδας 	<ul style="list-style-type: none"> Αλφαδιάστε το ντεκ σύμφωνα με τις οδηγίες στο απόσπασμα «Αλφάδιασμα του ντεκ».
Το πραγματικό ύψος κοπής γρασιδιού δεν είναι το ζητούμενο.	<ul style="list-style-type: none"> Τα παξιμάδια του ντεκ έχουν λασκάρει στο σύνδεσμο ανάρτησης. 	<ul style="list-style-type: none"> Ακολουθήστε τις οδηγίες στην ενότητα «Αλφάδιασμα του ντεκ» για να πραγματοποιήσετε σωστή ρύθμιση του ντεκ τρακτέρ από μπροστά προς τα πίσω και να σφίξετε με ασφάλεια τα παξιμάδια στον σύνδεσμο ανάρτησης.
	<ul style="list-style-type: none"> Το ντεκ έχει υποστεί ζημιά ή σοβαρή φθορά. 	<ul style="list-style-type: none"> Ακολουθήστε τις οδηγίες της ενότητας «Αφαίρεση του ντεκ» για να αντικαταστήσετε το ντεκ του τρακτέρ.
Το τρακτέρ δεν πραγματοποιεί σωστή κάλυψη εδάφους.	<ul style="list-style-type: none"> Υγρό κομμένο γρασίδι κολλάει στο κάτω μέρος του πλαισίου κοπής. 	<ul style="list-style-type: none"> Περιμένετε να στεγνώσει το γρασίδι προτού το κόψετε.
	<ul style="list-style-type: none"> Το τρακτέρ έχει ρυθμιστεί να κόβει υπερβολικά πολύ γρασίδι μονομιάς. 	<ul style="list-style-type: none"> Αυξήστε το ύψος κοπής του πλαισίου κοπής.

ΠΡΟΒΛΗΜΑ	ΑΙΤΙΑ	ΑΝΤΙΜΕΤΩΠΙΣΗ
Υπερβολικοί κραδασμοί.	<ul style="list-style-type: none"> Οι λεπίδες κοπής είναι χαλαρές. 	<ul style="list-style-type: none"> Συσφίξτε το μπουλόνι λεπίδας με την προτεινόμενη ροπή σύσφιξης.
	<ul style="list-style-type: none"> Οι λεπίδες είναι λυγισμένες. 	<ul style="list-style-type: none"> Αντικαταστήστε τις λυγισμένες λεπίδες κοπής σύμφωνα με τις οδηγίες στην ενότητα «Αντικατάσταση των λεπίδων κοπής».
	<ul style="list-style-type: none"> Το ντεκ δεν είναι αλφαδιασμένο. 	<ul style="list-style-type: none"> Αλφαδιάστε το ντεκ σύμφωνα με τις οδηγίες στην ενότητα «Αλφαδιάσμα του ντεκ».
	<ul style="list-style-type: none"> Τα παξιμάδια του ντεκ έχουν λασκάρει στο σύνδεσμο ανάρτησης. 	<ul style="list-style-type: none"> Σφίξτε τα παξιμάδια στο σύνδεσμο ανάρτησης.
	<ul style="list-style-type: none"> Το ντεκ έχει ρυθμιστεί να κόβει υπερβολικά πολύ γρασίδι μονομιάς. 	<ul style="list-style-type: none"> Αυξήστε το ύψος κοπής του πλαισίου κοπής.
Απομένουν γρασίδια ή υπολείμματα στο έδαφος μετά την κοπή.	<ul style="list-style-type: none"> Το ντεκ έχει ρυθμιστεί να κόβει υπερβολικά πολύ γρασίδι μονομιάς όταν το γρασίδι είναι ψηλό. 	<ul style="list-style-type: none"> Ξεκινήστε με μεγάλο ύψος κοπής και μειώστε το ώσπου να επιτευχθεί το επιθυμητό αποτέλεσμα κοπής. Γρασίδι με ύψος πάνω από 152 mm πρέπει να κόβεται δύο φορές, με διαδοχικά χαμηλότερα ύψη κοπής.
	<ul style="list-style-type: none"> Το γρασίδι είναι υγρό. 	<ul style="list-style-type: none"> Μην κουρεύετε όταν το γρασίδι είναι βρεγμένο. Περιμένετε μέχρι να στεγνώσει το γρασίδι.
	<ul style="list-style-type: none"> Η ταχύτητα οδήγησης είναι υψηλή. 	<ul style="list-style-type: none"> Μειώστε την ταχύτητα οδήγησης.
	<ul style="list-style-type: none"> Η ταχύτητα λεπίδας είναι χαμηλή. 	<ul style="list-style-type: none"> Αυξήστε σταδιακά την ταχύτητα λεπίδων.
Σύντομος χρόνος λειτουργίας του τρακτέρ με τις μπαταρίες που περιλαμβάνονται.	<ul style="list-style-type: none"> Το γκαζόν, οι συνθήκες γρασιδιού, η ρύθμιση ύψους κοπής, η ταχύτητα οδήγησης, η ταχύτητα λεπίδων, κτλ. επηρεάζουν σημαντικά το χρόνο λειτουργίας. 	<ul style="list-style-type: none"> Αυξήστε το ύψος κοπής του πλαισίου κοπής και μειώστε την ταχύτητα λεπίδων για να μειώσετε το φορτίο κοπής.
Το τρακτέρ δεν ακολουθεί ευθεία διαδρομή.	<ul style="list-style-type: none"> Οι πιέσεις ελαστικών στον αριστερό και δεξιό πίσω τροχό είναι διαφορετικές. 	<ul style="list-style-type: none"> Ελέγχετε και ρυθμίζετε την πίεση αέρα στα μπροστινά και στα πίσω ελαστικά τροχών, σύμφωνα με τη σύσταση στην ενότητα «ΠΡΟΔΙΑΓΡΑΦΕΣ» στο παρόν εγχειρίδιο.
Το πεντάλ φρένου στάθμευσης δεν αποδεσμεύεται από τη θέση φρένου στάθμευσης ή επανέρχεται αργά.	<ul style="list-style-type: none"> Η διαδρομή κίνησης του πεντάλ φρένου στάθμευσης είναι φραγμένη με υπολείμματα. 	<ul style="list-style-type: none"> Απομακρύνετε τυχόν υπολείμματα.
Το τρακτέρ δεν φορτίζεται μέσω της θύρας φόρτισης και η ένδειξη κατάστασης του τρακτέρ ανάβει συνεχώς κόκκινη.	<ul style="list-style-type: none"> Το φως του φορτιστή δεν έχει συνδεθεί σωστά στη θύρα φόρτισης του τρακτέρ. 	<ul style="list-style-type: none"> Επανασυνδέστε το φως του φορτιστή για να δείτε εάν το τρακτέρ φορτίζεται φυσιολογικά.
	<ul style="list-style-type: none"> Δεν υπάρχει ρεύμα στις επίτοιχες πρίζες. 	<ul style="list-style-type: none"> Δεν απαιτείται καμία ενέργεια. Περιμένετε ώσπου να ανακτηθεί η ισχύς.
	<ul style="list-style-type: none"> Δυσλειτουργία φορτιστή. 	<ul style="list-style-type: none"> Επικοινωνήστε με το κέντρο εξυπηρέτησης πελατών της EGO και ζητήστε να επιθεωρηθεί ή/και να επισκευαστεί ο φορτιστής, εάν χρειάζεται, από εξειδικευμένο τεχνικό σέρβις.
	<ul style="list-style-type: none"> Η θύρα του φορτιστή στο τρακτέρ είναι ελαττωματική. 	<ul style="list-style-type: none"> Επικοινωνήστε με το κέντρο εξυπηρέτησης πελατών της EGO για την επισκευή.
Ο χρόνος φόρτισης μέσω της θύρας φόρτισης του τρακτέρ είναι υπερβολικά μεγάλος.	<ul style="list-style-type: none"> Η χρήση του προσαρμογέα ACA1000 της EGO για τη φόρτιση απαιτεί πολύ χρόνο. 	<ul style="list-style-type: none"> Χρησιμοποιήστε το φορτιστή EGO CHV1600E για την απευθείας φόρτιση του ηλεκτρικού χλοοκοπτικού τρακτέρ.
Οι μπαταρίες δεν μπορούν να φορτιστούν πλήρως μέσω της θύρας φόρτισης του τρακτέρ.	<ul style="list-style-type: none"> Σφάλμα υλικολογισμικού του τρακτέρ ή βλάβη στην συστοιχία μπαταριών ή στον φορτιστή. 	<ul style="list-style-type: none"> Επαναφέρετε το φορτιστή αποσυνδέοντάς τον και περιμένοντας λίγα λεπτά. Στη συνέχεια, συνδέστε ξανά το φως στην παροχή ρεύματος. Εάν αυτό δεν λύσει το πρόβλημα, επικοινωνήστε με το κέντρο εξυπηρέτησης πελατών της EGO.

ΠΡΟΒΛΗΜΑ	ΑΙΤΙΑ	ΑΝΤΙΜΕΤΩΠΙΣΗ
Το τρακτέρ δεν ενεργοποιείται μετά τον καθαρισμό.	<ul style="list-style-type: none"> Ακατάλληλος καθαρισμός, όπως διείσδυση νερού στα ηλεκτρικά στοιχεία, στην οθόνη LCD, κτλ. 	<ol style="list-style-type: none"> Ακολουθήστε τις οδηγίες της ενότητας «ΓΕΝΙΚΗ ΣΥΝΤΗΡΗΣΗ», για το σωστό καθαρισμό του τρακτέρ. Εάν το τρακτέρ εκτεθεί τυχαία σε βροχή, αφήστε το να στεγνώσει ή χρησιμοποιήστε πεπιεσμένο αέρα για να το στεγνώσετε.
Το ντεκ φράζει γρήγορα.	<ul style="list-style-type: none"> Η ντεκ του τρακτέρ δεν έχει καθαριστεί σωστά μετά από προηγούμενη χρήση. 	<ul style="list-style-type: none"> Καθαρίζετε το ντεκ του τρακτέρ μετά από κάθε χρήση ακολουθώντας τα αναφερόμενα στην ενότητα «Χρήση της θύρας πλύσης για τον καθαρισμό του ντεκ».
Το ντεκ χάνει εύκολα την πρόσφυση κατά την αναρρίχηση σε κεκλιμένη επιφάνεια.	<ul style="list-style-type: none"> Τα ελαστικά των πίσω τροχών έχουν φθαρεί. Κοπή γρασιδιού σε απότομη πλαγιά. 	<ul style="list-style-type: none"> Αναζητήστε τοπικό αντιπρόσωπο σέρβις για την αντικατάσταση των ελαστικών των τροχών. Το τρακτέρ δεν πρέπει να χρησιμοποιείται για το κούρεμα σε κεκλιμένες επιφάνειες με κλίση μεγαλύτερη από τις απαιτούμενες μοίρες.
Όταν το τρακτέρ είναι σταματημένο σε μια πλαγιά με το πεντάλ φρένου στάθμευσης ενεργοποιημένο, το τρακτέρ μπορεί να κυλήσει στην πλαγιά.	<ul style="list-style-type: none"> Τα στοιχεία φρένων έχουν φθαρεί υπερβολικά λόγω ακατάλληλης χρήσης του τρακτέρ. 	<ul style="list-style-type: none"> Επικοινωνήστε με κέντρο εξυπηρέτησης πελατών της EGO για επισκευή.
Δεν βγαίνει νερό από τη θύρα πλύσης όταν επιχειρείτε να πλύνετε το πλαίσιο κοπής.	<ul style="list-style-type: none"> Ο ταχυσύνδεσμος θύρας πλύσης δεν έχει τοποθετηθεί σωστά πάνω στη θύρα πλύσης. 	<ul style="list-style-type: none"> Τοποθετήστε εκ νέου τον ταχυσύνδεσμο θύρας πλύσης, ώσπου να ακούσετε καθαρά το «κλικ» μετά τη γερή ώθηση. Εάν αυτό δεν λύσει το πρόβλημα, επικοινωνήστε με το κέντρο εξυπηρέτησης πελατών της EGO.
Ακούγονται αφύσικοι θόρυβοι κατά τη χειροκίνητη ώθηση του τρακτέρ χωρίς εκκίνησή του.	<ul style="list-style-type: none"> Ο ήχος προέρχεται από τους μαγνήτες του κινητήρα. 	<ul style="list-style-type: none"> Αυτό είναι φυσιολογικό και δεν απαιτείται καμία ενέργεια.
Το τιμόνι δεν περιστρέφεται.	<ul style="list-style-type: none"> Το συγκρότημα τιμονιού έχει φράξει με υπολείμματα. 	<ul style="list-style-type: none"> Απομακρύνετε τυχόν υπολείμματα.
Το τρακτέρ δεν στρίβει αριστερά/δεξιά όταν περιστρέφεται το τιμόνι.	<ul style="list-style-type: none"> Βλάβη ηλεκτρονικών ή μηχανικών στοιχείων. 	<ul style="list-style-type: none"> Επικοινωνήστε με το κέντρο εξυπηρέτησης πελατών της EGO για επισκευή.
Το τρακτέρ δεν ακινητοποιείται όταν αποδεσμεύετε το γκάτσι.	<ul style="list-style-type: none"> Η διαδρομή επιστροφής του γκαζιού είναι φραγμένη με υπολείμματα. Το κουμπί CCS πατιέται ακούσια κατά την οδήγηση. Το τρακτέρ βρίσκεται στη λειτουργία cruise-control 	<ul style="list-style-type: none"> Απομακρύνετε τυχόν υπολείμματα. Ελέγξτε εάν το εικονίδιο CCS είναι αναμμένο στην οθόνη LCD και βγείτε από το CCS, εφόσον απαιτηθεί. Ανατρέξτε στο κεφάλαιο «ΧΡΗΣΗ ΤΟΥ CRUISE CONTROL (CCS)»
Η λειτουργία CCS δεν επιδέχεται ενεργοποίηση/απενεργοποίηση.	<ul style="list-style-type: none"> Το κουμπί CCS δεν πατιέται σωστά. 	<ul style="list-style-type: none"> Πατήστε το κουμπί CCS ώσπου να ανάψει το εικονίδιο CCS στην οθόνη LCD ή να εξαφανιστεί από την οθόνη LCD.
Οι μπροστινοί τροχοί του τρακτέρ περιστρέφονται με μη φυσιολογικό θόρυβο	<ul style="list-style-type: none"> Τα χιτώνια άξονα των μπροστινών τροχών χρειάζονται λίπανση. 	<ul style="list-style-type: none"> Αφαιρέστε τις συστοιχίες μπαταριών και κατόπιν γεμίστε τις θύρες έγχυσης με γράσο μέχρι το γράσο να υπερχειλίσει στο άνω άκρο ή στο κάτω άκρο των χιτωνίων άξονα των μπροστινών τροχών.

GR

ΑΝΑΦΟΡΑ ΚΑΤΑΣΤΑΣΗΣ ΤΟΥ ΤΡΑΚΤΕΡ

Οθόνη LCD	Περιγραφή	Ένδειξη κατάστασης τρακτέρ	Ένδειξη ήχου	Αιτία	Αντιμετώπιση
	Εικονίδιο δείκτη στάθμης καυσίμου	ΑΠΕΝΕΡΓΟΠΟΙ-ΗΜΕΝΟ	Όχι	Επισημαίνει την μέση ικανότητα φόρτισης των τοποθετημένων μπαταριών	Πρόκειται για φυσιολογική λειτουργία. Δεν απαιτείται καμία ενέργεια.
	Εικονίδιο μετρητή ωρών	ΑΠΕΝΕΡΓΟΠΟΙ-ΗΜΕΝΟ	Όχι	Δείχνει το συνολικό χρόνο οδήγησης του τρακτέρ σε ώρες και δεν επιδέχεται επαναφορά.	Πρόκειται για φυσιολογική λειτουργία. Δεν απαιτείται καμία ενέργεια.
	Εικονίδιο ένδειξης φορτίου	ΑΠΕΝΕΡΓΟΠΟΙ-ΗΜΕΝΟ	Όχι	Υποδεικνύει το τρέχον φορτίο του τρακτέρ.	Πρόκειται για φυσιολογική λειτουργία. Δεν απαιτείται καμία ενέργεια.
	Το εικονίδιο λυχνίας LED ανάβει στην οθόνη LCD.	ΑΠΕΝΕΡΓΟΠΟΙ-ΗΜΕΝΟ	Όχι	Οι προβολείς ενεργοποιούνται από τον διακόπτη λυχνίας LED.	Πρόκειται για φυσιολογική λειτουργία. Δεν απαιτείται καμία ενέργεια.
	Το εικονίδιο Bluetooth ανάβει στην οθόνη LCD	ΑΠΕΝΕΡΓΟΠΟΙ-ΗΜΕΝΟ	Όχι	Το τρακτέρ συνδέεται με μια φορητή συσκευή μέσω Bluetooth.	Πρόκειται για φυσιολογική λειτουργία. Δεν απαιτείται καμία ενέργεια.
	Το εικονίδιο ΚΟΠΗ ΜΕ ΟΠΙΣΘΕΝ ανάβει στην οθόνη LCD.	ΑΠΕΝΕΡΓΟΠΟΙ-ΗΜΕΝΟ	Όχι	Υποδεικνύει ότι οι λεπίδες δεν μπορούν να ενεργοποιηθούν όταν το τρακτέρ κινείται με την όπισθεν.	Πρόκειται για φυσιολογική λειτουργία. Εάν είναι απαραίτητο, ενεργοποιήστε τις λεπίδες ενώ οδηγείτε με την όπισθεν ακολουθώντας τα αναφερόμενα στην ενότητα «ΕΝΕΡΓΟΠΟΙΗΣΗ ΤΩΝ ΛΕΠΙΔΩΝ ΚΑΤΑ ΤΗΝ ΟΔΗΓΗΣΗ ΜΕ ΟΠΙΣΘΕΝ» του εγχειριδίου.
	Το εικονίδιο Drive ανάβει στην οθόνη LCD.	ΑΠΕΝΕΡΓΟΠΟΙ-ΗΜΕΝΟ	Όχι	Δείχνει ότι το τρακτέρ μπορεί να οδηγηθεί ή κινείται προς τα εμπρός.	Πρόκειται για φυσιολογική λειτουργία. Τοποθετήστε το μοχλό ελέγχου κατεύθυνσης στη θέση «D», στην ουδέτερη ή στη θέση «R» ανάλογα με τις ανάγκες.
	Το εικονίδιο Όπισθεν ανάβει στην οθόνη LCD.	ΑΠΕΝΕΡΓΟΠΟΙ-ΗΜΕΝΟ	Όχι	Δείχνει ότι το τρακτέρ μπορεί να οδηγηθεί ή κινείται προς τα πίσω.	
	Το εικονίδιο κίνησης και το εικονίδιο όπισθεν αναβοσβήνουν εναλλάξ	ΑΠΕΝΕΡΓΟΠΟΙ-ΗΜΕΝΟ	Όχι	Υποδεικνύει ότι το τρακτέρ δεν ήταν δυνατόν να οδηγηθεί.	

Οθόνη LCD	Περιγραφή	Ένδειξη κατάστασης τρακτέρ	Ένδειξη ήχου	Αιτία	Αντιμετώπιση
	Το εικονίδιο του κλειδιού ασφαλείας ανάβει	ΑΠΕΝΕΡΓΟΠΟΙΗΜΕΝΟ	Όχι	Το κλειδί ασφαλείας έχει τοποθετηθεί σωστά.	Πρόκειται για φυσιολογική λειτουργία. Δεν απαιτείται καμία ενέργεια.
	Το εικονίδιο του πλήκτρου ασφαλείας αναβοσβήνει όταν στην οθόνη LCD εμφανίζεται η ένδειξη «δείκτης στάθμης καυσίμου».	ΑΠΕΝΕΡΓΟΠΟΙΗΜΕΝΟ	Όχι	Το κλειδί ασφαλείας δεν έχει εισαχθεί.	Εισαγάγετε το κλειδί ασφαλείας, κατόπιν πατήστε εντελώς το πεντάλ φρένου στάθμευσης και πιέστε το κουμπί ΕΚΚΙΝΗΣΗΣ/ΣΤΑΜΑΤΗΜΑΤΟΣ ταυτόχρονα για περισσότερα από 3 δευτερόλεπτα για να ενεργοποιήσετε το τρακτέρ.
				Το συγκρότημα κουτιού πίνακα ελέγχου κλειδιού παρουσιάζει βλάβη.	Επικοινωνήστε με κέντρο εξυπηρέτησης πελατών της EGO για επισκευή.
	Το εικονίδιο του φρένου στάθμευσης αναβοσβήνει όταν στην οθόνη LCD εμφανίζεται ο «δείκτης στάθμης καυσίμου».	ΑΠΕΝΕΡΓΟΠΟΙΗΜΕΝΟ	Όχι	Το πεντάλ φρένου στάθμευσης δεν πατιέται.	Όταν εισαχθεί το κλειδί ασφαλείας, πιέστε εντελώς το πεντάλ φρένου στάθμευσης και πιέστε ταυτόχρονα το κουμπί ΕΚΚΙΝΗΣΗΣ/ΣΤΑΜΑΤΗΜΑΤΟΣ για περισσότερα από 3 δευτερόλεπτα για να ενεργοποιήσετε το τρακτέρ.
	Το εικονίδιο του φρένου στάθμευσης αναβοσβήνει όταν στην οθόνη LCD εμφανίζεται η διεπαφή χειριστή.	ΑΠΕΝΕΡΓΟΠΟΙΗΜΕΝΟ	Όχι	Πατήστε το πεντάλ γκαζιού πριν πατήσετε το πεντάλ του φρένου στάθμευσης για να ανάψει η ενδεικτική λυχνία του τρακτέρ με πράσινο χρώμα.	Εκκινήστε σωστά το τρακτέρ σύμφωνα με τα αναφερόμενα στην ενότητα «ΕΚΚΙΝΗΣΗ ΤΟΥ ΤΡΑΚΤΕΡ».
	Ανάβει το εικονίδιο του φρένου στάθμευσης	ΑΠΕΝΕΡΓΟΠΟΙΗΜΕΝΟ	Όχι	Το πεντάλ φρένου στάθμευσης είναι ρυθμισμένο στη θέση φρένου στάθμευσης.	Πριν από την εκκίνηση του τρακτέρ αποδεσμεύστε το.
	Ανάβει το εικονίδιο του αισθητήρα καθίσματος	ΑΠΕΝΕΡΓΟΠΟΙΗΜΕΝΟ	Όχι	Ο χειριστής δεν βρίσκεται στο κάθισμα ή το προστατευτικό σύστημα αλληλασφάλισης καθίσματος έχει αποσυνδεθεί.	Εάν όταν ο χειριστής κάθεται στο κάθισμα και το εικονίδιο είναι αναμμένο, σταματήστε αμέσως τη λειτουργία του τρακτέρ και ελέγξτε τη σύνδεση του καθίσματος. Εάν η σύνδεση καθίσματος με το τρακτέρ επιβεβαιωθεί ότι είναι σωστή, επικοινωνήστε με έναν εξειδικευμένο τεχνικό για επισκευές.
	Το εικονίδιο του διακόπτη PTO αναβοσβήνει	ΑΠΕΝΕΡΓΟΠΟΙΗΜΕΝΟ	Όχι	Διακόπηκε η λειτουργία του κινητήρα λεπίδων και ο διακόπτης PTO δεν έχει ρυθμιστεί στη θέση απενεργοποίησης.	Προτού επανεκκινήσετε το τρακτέρ, πιέστε το διακόπτη PTO προς τα κάτω για να απενεργοποιήσετε τους κινητήρες λεπίδων. Δείτε την ενότητα «ΑΝΤΙΜΕΤΩΠΙΣΗ ΠΡΟΒΛΗΜΑΤΩΝ» στο παρόν εγχειρίδιο για αναφορά.

GR

Οθόνη LCD	Περιγραφή	Ένδειξη κατάστασης τρακτέρ	Ένδειξη ήχου	Αιτία	Αντιμετώπιση
	Το εικονίδιο μιας συγκεκριμένης θήκης μπαταριών αναβοσβήνει.	ΑΠΕΝΕΡΓΟΠΟΙ- ΗΜΕΝΟ	Όχι	Κάποια συγκεκριμένη μπαταρία παρουσιάζει υπερένταση ρεύματος κατά την εκφόρτιση.	Δεν απαιτείται καμία ενέργεια. Το τρακτέρ μπορεί να συνεχίσει να λειτουργεί εάν η συνδυαζόμενη τιμή μπαταρίας Ah, εκτός της μπαταρίας που παρουσιάζει υπερένταση ρεύματος, είναι ίση με ή πάνω από 15 Ah. Μόλις η μπαταρία που παρουσιάζει υπερένταση ρεύματος επιστρέψει στην φυσιολογική τιμή, θα συνεισφέρει αμέσως στην τροφοδοσία του τρακτέρ και το εικονίδιο θα εξαφανιστεί.
	Το εικονίδιο της άδειας θήκης μπαταριών αναβοσβήνει	ΑΠΕΝΕΡΓΟΠΟΙ- ΗΜΕΝΟ	Όχι	Η φόρτιση μπαταρίας δεν επαρκεί για να μπορεί να λειτουργεί το τρακτέρ.	Για να εκκινήσετε αυτό το τρακτέρ, χρησιμοποιήστε κατάλληλες μπαταρίες EGO σύμφωνα με τις οδηγίες στην ενότητα «ΠΡΟΣΑΡΤΗΣΗ/ΑΠΟΜΑΚΡΥΝΣΗ ΤΗΣ ΣΥΣΤΟΙΧΙΑΣ ΜΠΑΤΑΡΙΩΝ» στο παρόν εγχειρίδιο.
	Το εικονίδιο θερμοκρασίας και η συγκεκριμένη κατελιγμένη θήκη μπαταριών αναβοσβήνουν ταυτόχρονα.	ΑΠΕΝΕΡΓΟΠΟΙ- ΗΜΕΝΟ	Όχι	Η συστοιχία μπαταριών στην αντίστοιχη αριθμημένη θήκη μπαταριών έχει υπερθερμανθεί.	<ol style="list-style-type: none"> 1. Το τρακτέρ μπορεί να συνεχίσει να λειτουργεί εάν η συνδυαζόμενη τιμή μπαταρίας Ah, εκτός της υπερθερμασμένης μπαταρίας, ανταποκρίνεται στις προδιαγραφές. Μόλις η υπερθερμασμένη μπαταρία επιστρέψει σε φυσιολογική θερμοκρασία, θα συμμετάσχει αμέσως στην παροχή ισχύος στο τρακτέρ. 2. Εάν η συνδυαζόμενη τιμή μπαταρίας Ah δεν ανταποκρίνεται στις προδιαγραφές, το τρακτέρ δεν θα λειτουργήσει μέχρι να τοποθετηθούν περισσότερες συστοιχίες μπαταριών μέσα στον κενό χώρο μπαταριών. 3. Μειώστε το φορτίο του τρακτέρ αυξάνοντας το ύψος κοπής του ντεκ ή επιβραδύνοντας την ταχύτητα οδήγησης κατά τη συνέχιση της λειτουργίας.
	Το εικονίδιο της θερμοκρασίας αναβοσβήνει.	ΑΠΕΝΕΡΓΟΠΟΙ- ΗΜΕΝΟ	Ένα μπιπ	<p>Το τρακτέρ έχει υπερθερμανθεί.</p> <p>Το τρακτέρ είναι πολύ κρύο.</p>	<p>Μειώστε το φορτίο του τρακτέρ αυξάνοντας το ύψος κοπής του ντεκ ή μειώνοντας την ταχύτητα της λεπίδας / οδήγησης. Κάντε ένα διάλειμμα και αφήστε το τρακτέρ να κρυώσει.</p> <p>Μην κάνετε επαναλαμβανόμενες απόπειρες, διότι έτσι μπορεί να προκληθεί ζημιά στη μηχανή. Αποθηκεύετε πάντα το τρακτέρ και τις μπαταρίες σε θερμό περιβάλλον. Επανεκκινήστε το τρακτέρ όταν ζεσταθεί.</p>
	Το εικονίδιο ειδοποίησης αναβοσβήνει	Αναβοσβήνει κόκκινη	Ένα μπιπ	<p>Ο κινητήρας λεπίδων έχει υπερφορτωθεί.</p> <p>Η χοάνη πλευρικής εξαγωγής του χλοοκοπτικού έχει φράξει με γρασίδι και υπολείμματα.</p> <p>Υπάρχει κάποια παρεμβολή μεταξύ της λεπίδας και του ντεκ τρακτέρ.</p>	<p>Αυξήστε το ύψος κοπής του ντεκ ή μειώστε την ταχύτητα οδήγησης για να μειωθεί το φορτίο του τρακτέρ.</p> <p>Καθαρίζετε τη χοάνη πλευρικής εξαγωγής μετά από κάθε χρήση.</p> <p>Επικοινωνήστε με κέντρο εξυπηρέτησης πελατών της EGO</p>

Οθόνη LCD	Περιγραφή	Ένδειξη κατάστασης τρακτέρ	Ένδειξη ήχου	Αιτία	Αντιμετώπιση
	Τα εικονίδια κάθε κατειλημμένου χώρου μπαταρίας και το εικονίδιο ειδοποίησης αναβοσβήνουν κάθε 1 δευτερόλεπτο ταυτόχρονα με την οθόνη LCD.	Αναβοσβήνει κόκκινη	Συνεχίζει να ηχεί ώσπου να πατηθεί ο διακόπτης PTO προς τα κάτω.	Οι συστοιχίες μπαταριών έχουν χαμηλή φόρτιση και το τρακτέρ βρίσκεται στη λειτουργία Limp Home.	Σταματήστε την εργασία και επιστρέψτε στο χώρο φόρτισης μπαταρίας. ΣΗΜΕΙΩΣΗ: Όταν το τρακτέρ βρίσκεται στη λειτουργία Limp-Home, οι λεπίδες τίθενται αυτόματα στην ταχύτητα χαμηλής περιστροφής και στο μεταξύ η ηχητική ένδειξη συνεχίζει να κάνει ήχο μπιπ. Ο χειριστής πρέπει να πιέσει το διακόπτη PTO προς τα κάτω για να απενεργοποιήσει τους κινητήρες λεπίδων. Η ηχητική ένδειξη θα σταματήσει να ηχεί μόλις ακινητοποιηθούν οι λεπίδες.
	Το εικονίδιο κάθε κατειλημμένου χώρου μπαταριών και το εικονίδιο ειδοποίησης αναβοσβήνουν κάθε μισό δευτερόλεπτο.	Αναβοσβήνει κόκκινη	Συνεχίζει να ηχεί	Διακόπηκε η λειτουργία του κινητήρα λεπίδων και ο διακόπτης PTO δεν έχει ρυθμιστεί στη θέση απενεργοποίησης.	Το τρακτέρ θα σταματήσει αμέσως να λειτουργεί. Ο χειριστής πρέπει να μεταφέρει το τρακτέρ στο χώρο φόρτισης μπαταρίας για τη φόρτιση.
	Το εικονίδιο CCS ανάβει στην οθόνη LCD.	Μόνιμα πράσινη	Όχι	Το τρακτέρ συνεχίζει να κινείται προς τα εμπρός σε καθορισμένη ταχύτητα χωρίς να χρειάζεται πίεση του πεντάλ γκαζιού.	Πρόκειται για φυσιολογική λειτουργία. Εάν χρειάζεται, απενεργοποιήστε τη λειτουργία CCS ακολουθώντας τα βήματα στην ενότητα « Για το σταμάτημα (έξοδο) του Cruise Control (CCS) » στο εγχειρίδιο.
	Το εικονίδιο CCS αναβοσβήνει στην οθόνη LCD.	ΑΠΕΝΕΡΓΟΠΟΙΗΜΕΝΟ	Όχι	Το CCS (σύστημα ελέγχου πορείας) δεν λειτουργεί. Το πεντάλ φρένου στάθμευσης πατιέται για να σταματήσει το τρακτέρ.	Η λειτουργία CCS δεν μπορεί να ρυθμιστεί όταν το τρακτέρ κινείται με πολύ χαμηλή ταχύτητα ή όπισθεν. Αφού απελευθερώσετε το πεντάλ φρένου στάθμευσης πιέστε το κουμπί CCS και το εικονίδιο CCS θα ανάψει στην οθόνη LCD ή μπορείτε να εξέλθετε από τη λειτουργία CCS ακολουθώντας τις οδηγίες στην ενότητα « Για το σταμάτημα (έξοδο) του Cruise Control (CCS) ».
	Στην οθόνη LCD δεν ανάβει το εικονίδιο του bagger.	Δ/Υ	Όχι	Αυτό υποδεικνύει ότι το bagger γρασιδιού δεν έχει τοποθετηθεί στο τρακτέρ ή δεν έχει τοποθετηθεί σωστά.	Τοποθετήστε σωστά το bagger γρασιδιού στο τρακτέρ.
	Στην οθόνη LCD αναβοσβήνει το εικονίδιο του γεμάτου bagger	Δ/Υ	Όχι	Υποδεικνύει ότι το bagger γρασιδιού είναι γεμάτο.	Αδειάστε το bagger γρασιδιού και επανατοποθετήστε το σωστά.

GR

Οθόνη LCD	Περιγραφή	Ένδειξη κατάστασης τρακτέρ	Ένδειξη ήχου	Αιτία	Αντιμετώπιση
Δ/Υ	Δ/Υ	ΑΠΕΝΕΡΓΟΠΟΙ- ΗΜΕΝΟ	Συνεχίζει να ηχεί	Το τρακτέρ είναι σταθμευμένο σε μια πλαγιά και ο χειριστής απομακρύνεται από το τρακτέρ χωρίς να θέσει το πεντάλ του φρένου στάθμευσης στη θέση του φρένου στάθμευσης.	Θέστε το πεντάλ φρένου στάθμευσης στη θέση φρένου στάθμευσης. Το εικονίδιο του φρένου στάθμευσης θα ανάψει και η ηχητική ένδειξη θα σταματήσει να ηχεί.
ΑΠΕΝΕΡΓΟΠΟΙ- ΗΜΕΝΟ	Σφάλμα θύρας φόρτισης	Ανάβει σταθερά ΚΟΚΚΙΝΗ	Δ/Υ	Δεν υπάρχει παροχή ρεύματος.	Ελέγξτε εάν στην έξοδο στον τοίχο υπάρχει τροφοδοσία 220V-240V ή εάν η υποδοχή είναι εντάξει.
		Ανάβει σταθερά ΚΟΚΚΙΝΗ	Δ/Υ	Ηλεκτρονικές βλάβες όπως εάν η θύρα φόρτισης βρίσκεται σε ανοιχτό κύκλωμα, η ασφάλεια έχει καεί κ.λπ.	Επικοινωνήστε με κέντρο εξυπηρέτησης πελατών της EGO για επισκευή.

ΑΝΑΦΟΡΑ ΚΩΔΙΚΟΥ ΒΛΑΒΗΣ

Περιγραφή	Κωδικός βλάβης στην οθόνη LCD	Ένδειξη ήχου	Αντιμετώπιση
Ο αριστερός κινητήρας λεπίδων δεν περιστρέφεται	509	Ένα μπιπ	Επιθεωρήστε πρώτα τη λεπίδα. Εάν έχει χαλαρώσει, συσφίξτε το μπουλόνι με τη συνιστώμενη ροπή. Αλλιώς επικοινωνήστε με κέντρο εξυπηρέτησης πελατών της EGO για επισκευή.
Ο δεξιός κινητήρας λεπίδων δεν περιστρέφεται	609	Ένα μπιπ	

ΣΗΜΕΙΩΣΗ: Για οποιουδήποτε άλλους κωδικούς σφαλμάτων που εμφανίζονται στην οθόνη LCD που μπορεί να υποδηλώνουν βλάβη PCBA, λασκαρισμένη σύνδεση, βλάβη κινητήρα του κινητήρα κίνησης, των κινητήρων λεπίδων κ.λπ. απομακρύνετε όλες τις συστοιχίες μπαταριών και επανεισάγετέ τις λίγα λεπτά αργότερα ώστε να επανεκκινήσετε το τρακτέρ. Εάν δεν επιλυθεί έτσι το πρόβλημα, σημειώστε τον κωδικό σφάλματος και επικοινωνήστε με το κέντρο εξυπηρέτησης πελατών της EGO για την επισκευή.

GR

ΕΓΓΥΗΣΗ

ΠΟΛΙΤΙΚΗ ΕΓΓΥΗΣΗΣ EGO

Επισκεφθείτε την ιστοσελίδα egopowerplus.eu για όλους τους όρους και τις προϋποθέσεις της πολιτικής εγγύησης EGO.

TÜM TALİMATLARI OKUYUN!



KULLANIM KILAVUZUNU OKUYUN

GÜVENLİK SEMBOLÜ

Güvenlik sembollerinin amacı olası tehlikelere dikkatinizi çekmektir. Güvenlik sembolleri ve yanlarındaki açıklamalar özel dikkat ve anlayış göstermenizi gerektirir. Uyarı sembolleri kendi başlarınıza herhangi bir tehlikeyi gidermez. Sembollerde belirtilen talimatlar ve uyarılar uygun kaza önleme tedbirlerinin yerine geçmez.

⚠ UYARI: Bu aleti kullanmadan önce "TEHLİKE," "UYARI" ve "DİKKAT" gibi tüm güvenlik uyarı ve sembollerini içeren bu Kullanım Kılavuzundaki tüm güvenlik talimatlarını okuyup anladığınızdan emin olun. Aşağıdaki talimatların tamamına uyulmaması elektrik çarpması, yangın ve/veya ciddi yaralanma ile sonuçlanabilir.

SEMBOLÜN ANLAMI

Bu sayfada, bu ürün üzerinde görülebilecek güvenlik sembolleri gösterilmekte ve açıklanmaktadır. Makineyi monte etmeye ve kullanmaya başlamadan önce makineye ilişkin tüm talimatları okuyup anlayın ve bu talimatlara uyun.

GÜVENLİK SEMBOLLERİ



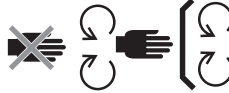
Güvenlik Uyarısı



Kullanım Kılavuzunu Okuyun ve Anlayın



Göz Koruması



Emniyet Tertibatının Bakımını Yapın



TEHLİKE – Dik eğim tehlikesi



TEHLİKE – Çevredeki Kişileri Bıçakların Uzağında Tutun



Asla çocukları taşımayın



Geri giderken arkanıza bakın



UYARI – Bu makineyi 12°den daha fazla eğime sahip olan yerlerde kullanmayın



TEHLİKE – Fırlayan nesnelere



UYARI – ELLERİNİZİ VE AYAKLARINIZI UZAK TUTUN



Garanti edilen ses gücü seviyesidir. Avrupa topluluğunun Direktifine göre.



Basmayın



Atık elektrikli ürünler, evsel atıklar ile birlikte bertaraf edilmemelidir. Yetkili bir geri dönüşüm merkezine teslim edilmelidir.



Bu ürün, yürürlükteki AB yönetmeliklerine uygundur



DİKKAT – Çalışan lambaya bakmayın.



Doğru Akım



Bu ürün, yürürlükteki Birleşik Krallık yasalarına uygundur.

TR

kPa	Kilopascal	RPM	Dakikada devir sayısı
V	Volt	m	Metre
in	İnç	cm	Santimetre
Nm	Newton metre	mm	Milimetre
°C	Santigrat	kg	Kilogram
km/h	kilometre/saat	IPX4	Hava Girişi Koruma Derecesi

BU KILAVUZDA KULLANILAN SEMBOLLER



Bilgilere dikkat edilmesi gerekir



Belirtilen eylem durur

TEKNİK ÖZELLİKLER

Voltaj	56 V	
Bıçme Haznesi Boyutu	98 cm	
Tekerlek Boyutu	Ön	15 x 6 – 6 inç
	Arka	18 x 7,5 – 8 inç
Soğuk Lastik Basıncı	Ön	96,5 kPa
	Arka	170 kPa
Bıçak Hızı (RPM)	3000'e kadar	
Maksimum Sürüş Hızı	İleri	Azami 9,6 km/sa.
	Geri	Azami 4,8 km/sa.
Kesim Yüksekliği Ayarı (12 konum)	25 – 100 mm	
Şarj Etme Sıcaklığı Aralığı	5°C – 40°C	
Çalışma Sıcaklığı	0°C – 40°C	
Depolama Sıcaklığı	-20°C – 70°C	
Ağırlık (Akü hariç)	220 kg	
Ölçülen ses gücü düzeyi L_{WA}	97,7 dB(A) K=1,75 dB(A)	
Operatörün duyduğu ses güç düzeyi L_{PA}	83,6 dB(A) K=3 dB(A)	
Garanti edilen ses güç düzeyi L_{WA} (2000/14/EC uyarınca ölçülmüş)	100 dB(A)	
Titreşim a_n	EI	0,24 m/s ² K=1,5 m/s ²
	Vücut	0,18 m/s ² K=1,5 m/s ²

- Beyan edilen toplam titreşim değeri standart bir test yöntemine göre ölçülmüştür ve bir ürünü değeri ile karşılaştırmak için kullanılabilir.
- Beyan edilen toplam titreşim değeri, maruz kalma seviyesinin ilk değerlendirilmesi için de kullanılabilir.

DİKKAT: Elektrikli aletin fiili kullanımı sırasında oluşan titreşim emisyonu değeri aletin kullanım şekline bağlı olarak beyan edilen değerden farklı olabilir. Operatör korunmak için fiili kullanım koşullarında eldiven ve kulak koruması takmalıdır.

ÖNERİLEN AKSESUARLAR

⚠ UYARI: Yalnızca aşağıda listelenen aksesuarları kullanın. Orijinal ekipman özelliklerini karşılamayan aksesuarların kullanılması, ürünün hatalı ve tehlikeli bir şekilde çalışmasına neden olabilir.

PARÇA ADI	MODEL NUMARASI
Toplama bıçağı seti	AB3801TD
Malçlama Aparatı	AMP3800T

AÇIKLAMA

ÇİM BİÇME TRAKTÖRÜNÜ TANIYIN (Şek. A1)

1. Koltuk
2. Bardak Tutucular
3. Arka Tekerlek (Tahrik Tekerleği) (x2)
4. Yıkama Ağız (x2)
5. Püskürtme Haznesi
6. Kazıma Önleyici Tekerlek (x2)
7. Ön Tekerlek (x2)
8. Ön Tampon
9. Park Freni Pedalı
10. LED Far (x2)
11. Güç Ünitesi
12. Saklama Bölmesi
13. Park Freni Kilit Kolu
14. Direksiyon Simidi
15. Koltuk Konumu Ayarlama Kolu
16. Çim Torbalayıcı

TR

17. Şarj Bağlantı Noktası
18. USB Bağlantı Noktası
19. Saklama Sepeti
20. Gaz Pedalı
21. Bıçme Haznesi Yüksekliği Ayar Kolu
22. Boşaltma Kolu
23. Tutma Kolu
24. Traktör Durum Göstergesi
25. Bıçak Hızı Ayarlama Düğmesi
26. GERİ BİÇME Düğmesi
27. Çalıştır/Durdur Düğmesi
28. Yön Kontrol Kolu
29. Emniyet Anahtarı
30. PTO Anahtarı
31. CCS Düğmesi
32. LED Işık Düğmesi / Bluetooth Düğmesi
33. Sürüş Hızı Ayarlama Düğmesi
34. Güç Ünitesi Kapağı Açma Düğmesi
35. Güç Ünitesi Kapağı
36. Altı Akü Bölmesi Güç Ünitesi
37. Akü Çıkarma Düğmesi

LCD EKRANI TANIYIN (Şek. A2)

LCD Ekrandaki simgeler ve göstergeler hakkında daha fazla bilgi edinmek için "TRAKTÖR DURUM REFERANSI" ve "ARIZA KODU REFERANSI" bölümlerine bakın.

1. CCS Simgesi
2. Emniyet Tertibatı Durum Göstergesi
3. GERİ BİÇME KAPALI Simgesi
4. Sürüş Simgesi
5. Geri Simgesi
6. Emniyet Anahtarı Simgesi
7. LED Lamba Simgesi
8. Bluetooth Simgesi
9. Bıçak Hızı Göstergesi
10. Saat Ölçer
11. Enerji Göstergesi
12. Sıcaklık Simgesi
13. Uyarı Simgesi (Aşırı Yük/Düşük Güç)
14. Boş Akü Bölmesi Simgesi
15. Dolu Akü Bölmesi Simgesi
16. Arıza Kodu Göstergesi
17. Yük Göstergesi
18. Sürüş Hızı Göstergesi
19. Dolu Torbalayıcı Simgesi
20. Torbalayıcı Yok Simgesi

TR

AMBALAJIN AÇILMASI

DİKKAT: Ürünü dikkatlice inceleyip yeterince iyi olduğunu göreceğiniz şekilde kullanana kadar ambalaj malzemelerini saklayın. Ambalaj listesindeki herhangi bir parça makineye monte edilmişse lütfen hemen EGO servisini arayın.

DİKKAT: Aşağıdaki ambalaj listesinde bulunan aletler dışında kılavuzlarda belirtilen tüm diğer aletler sadece önerilmekte olup ürünle birlikte verilmemektedir.

AMBALAJ LİSTESİ (Şek. B)

B-1	Elektrikli Çim Traktörü	B-2	Koltuk
B-3	Direksiyon Simidi	B-4	Toz Kapağı
B-5	Kombine Anahtar	B-6	18 mm Soket Anahtarı
B-7	Basamak Cıvataları (1 tane yedek)	B-8	M8 Somunlar (1 tane yedek)
B-9	M12 Somunlar (1 tane yedek)	B-10	Rondelalar (1 tane yedek)
B-11	Emniyet Anahtarı	B-12	Yıkama Ağız Hızlı Bağlantı Parçası
B-13	Kullanım Kılavuzu	B-14	Çim Torbalayıcı (yan braketler için iki takım cıvata ve somun ile)
B-15	U Şekli Braket	B-16	Yan Braket
B-17	Boşaltma Kolu	B-18	Sol ve Sağ Torbalayıcı Destek Braketi
B-19	Çapraz Çubuk	B-20	M8X40 Cıvata
B-21	M8X25 Cıvata	B-22	M8 Somun

MONTAJ

DİREKSİYON SİMİDİNİ TAKMA (Şek. C1)

C1-1	Direksiyon Kolunu	C1-2	Direksiyon Simidi
C1-3	Orta Çizgi	C1-4	Rondela
C1-5	Somun	C1-6	18 mm Soket Anahtarı
C1-7	Toz Kapağı		

KOLTUĞU TAKMA (Şek. C2)

⚠ UYARI: Emniyet kilidi sisteminin bağlantısı kesilmemeli veya sistem devre dışı bırakılmamalıdır. Aksi halde traktör beklenmedik şekilde çalışabilir ve yaralanmalara neden olabilir.

C2-1	Koltuk	C2-2	Somun (M8)
C2-3	Adım Cıvatası	C2-4	Lokma
C2-5	Fiş		

ÇİM TORBALAYICIYI TAKMA (Şek. C3-C8)

C3-1	U Şekilli Braket	C3-2	Torbalayıcı
C3-2	4 Takım Cıvata ve Somun (M8 X 40)	C3-4	Kombine Anahtar
C4-1	Yan Braketler	C4-2	4 Takım Cıvata ve Somun (M8 X 40)
C4-3	Kombine Anahtar	C5-1	Boşaltma Kolu
C5-2	1 takım cıvata ve somun (M8 X 40)	C5-3	Kombine Anahtar
C6-1	Torbalayıcı Destek Braketleri	C6-2	4 Takım Cıvata ve Somun (M8 X 25)
C6-3	Kombine Anahtarlar	C7-1	Çapraz Çubuk
C7-2	2 Somun (M8)	C7-3	Kombine Anahtar

AYARLAMA

AYARLAMADAN ÖNCE (Şek. D1)

BİÇME HAZNESİ YÜKSEKLİĞİNİ AYARLAMA (Şek. D2)

KAZIMA ÖNLEYİCİ TEKERLEKLERİ AYARLAMA (Şek. D3 – D6)

D3-1	Kazıma Önleyici Tekerlekler	D5-1	Somun
D5-2	Bijon Cıvatası	D6-1	Bıçma Haznesi Yüksekliği Etiketi

KOLTUĞU AYARLAMA (Şek. D7)

D7-1	Koltuk Konumu Ayarlama Kolu
------	-----------------------------

ÇALIŞTIRMA

ÇALIŞTIRMADAN ÖNCE (Şek. E1)

PARK FRENİNİ AYARLAMA (Şek. E2)

E2-1	Park Freni Konumu	E2-2	Fren Bırakılmış Konum
------	-------------------	------	-----------------------

⚠ UYARI! PARK FRENİ PEDALI SÜRÜŞ HIZINI YAVAŞLATAMAZ. SÜRÜŞ SIRASINDA SÜRÜŞ HIZINI YAVAŞLATMAK İÇİN ASLA PARK FRENİ PEDALINA BASMAYA ÇALIŞMAYIN. PARK FRENİ PEDALINA BASILIP PARK FRENİ KONUMUNA GETİRİLMEDİĞİNDE, ELEKTRİKLİ FREN ARTIK ETKİLİ OLMAZ VE TRAKTÖR DÜZ BİR YÜZEYDE HAREKET ETMEYİ DURDURUR. ANCAK BU DURUM BİR YOKUŞTA MEYDANA GELİRSE PARK FRENİ PEDALI BIRAKILDIKTAN SONRA TRAKTÖR YOKUŞTAN AŞAĞI KAYABİLİR.

⚠ UYARI! HERHANGİ BİR ACİL DURUM MEYDANA GELDİĞİNDE PARK FRENİ KİLİT KOLUNU YUKARI ÇEKİP PARK FRENİ PEDALINA BASARAK HEMEN PARK FRENİ KONUMUNA GETİRİN, TRAKTÖR HEMEN DURUR VE YOKUŞTAN AŞAĞI KAYMAZ.

AKÜ TAKIMINI TAKMA/ÇIKARMA (Şek. E3 – E6)

Bu traktörü çalıştırmak için toplam 15 Ah (2 X BA4200/BA4200T) veya daha fazla güce sahip EGO aküleri gereklidir. En iyi performansı elde etmek için toplam 30 Ah veya üzeri güce sahip EGO akülerinin kullanılmasını öneririz.

E3-1	Kapak Açma Düğmesi	E5-1	Akü Çıkarma Düğmesi
------	--------------------	------	---------------------

TRAKTÖRÜ ŞARJ ETME

Sadece önerilen aküleri ve şarj cihazlarını kullanın.

- Akü takım(lar)ını ayrı şarj edin (Şek. E7)

DİKKAT: Ayrıntılı talimatlar için ilgili akü ve şarj cihazı kılavuzlarına bakın.

- Aküleri şarj bağlantı noktaları üzerinden şarj edin (Şek. E8 – E10)

E10-1	Toz Kapağı	E10-2	Şarj Bağlantı Noktası
-------	------------	-------	-----------------------

EMNİYET KİLİDİ SİSTEMİNİ TEST ETME

- Bıçma haznesi bıçak sistemini test etmek için (Şek. E11 – E12)
- Sürüş sistemini test etmek için (Şek. E13 – E14)

Operatör koltuktan kalktığı anda bıçma haznesi bıçak sistemi ve/veya sürüş sistemi durmuyorsa ve koltuğun fiş ve soket bağlantısının düzgün olduğu kontrol edildikten sonra sorunun nedeni belirlenemiyorsa hemen EGO müşteri hizmetleri merkezi ile iletişime geçin.

İLETİŞİM TEKNOLOJİSİ

Bağlantı talimatları dahil tüm bağlı ürün ve hizmetlerimiz hakkında bilgi almak için lütfen aşağıdaki QR kodunu tarayın veya www.egopowerplus.eu/connect adresini ziyaret edin.



ÇALIŞTIRMA ÖNCESİ KONTROL LİSTESİ

- Çalışma alanında çocukların, başka insanların ve evcil hayvanların olmadığından emin olun.
- Çalışma alanını traktör bıçakları tarafından fırlatılabilecek nesnelere temizleyin.
- Traktördeki kalıntıları temizleyin.
- Gevşek bağlantı elemanları olup olmadığını kontrol edin.
- Tüm korumaların yerinde olduğundan ve düzgün çalıştığından emin olmak için kontrol edin.
- Lastiklerin şişirilip şişirilmediğini görsel olarak kontrol edin.
- Frenin çalışmasını kontrol edin.
- Bıçma haznesini, çim için en uygun olan istenen kesme konumuna ayarlayın ve kazıma önleyici tekerlekleri buna göre ayarlayın.
- Koltuk pozisyonunu ayarlayın ve her iki pedala da ulaşılabilir olduğundan emin olun.

- Akü şarj seviyesini doğrulayın.
- Emniyet kilidi sistemini kontrol edin.
- Çim torbalayıcının doğru takıldığından emin olun.

TRAKTÖRÜ ÇALIŞTIRMA (Şek. E15 – Şek. E16)

⚠ UYARI! Özellikle traktörü ilk kez kullanmayı öğrenirken ani çalıştırma, durdurma ve dönüşlerin yanı sıra aşırı hız yapmaktan kaçının. Traktör hızlı bir şekilde dönebilir, bu da kontrolü kaybetmenize ve ciddi yaralanmalara ve/veya hasara neden olabilir.

⚠ UYARI! Traktörü çalıştırmadan önce PTO anahtarını aşağı doğru iterken bıçakların 5 sn. içinde devreden çıktığından emin olun. Bıçaklar durmuyorsa traktörü kullanmayın ve hemen EGO müşteri hizmetlerinizle iletişime geçin.

NOT:

- Park freni pedalı park freni konumuna ayarlıysa, traktörü sürmeden önce LCD ekranı aydınlatmak için çalıştır/durdur düğmesine yalnızca 3 saniye basmanız ve ardından park freni pedalını bırakmanız gerekir.
- LCD ekran tamamen aydınlatıldığında ve yön kontrol kolu "R" yönünde geriye çekilmediğinde kesme bıçakları herhangi bir zamanda çalıştırılabilir. Traktörü geriye doğru sürerken bıçakları açmak için bu kılavuzdaki "**GERİ GİDERKEN BIÇAKLARI ÇALIŞTIRMA**" bölümüne bakın.

DİKKAT: Traktörü her durumda tam olarak çalıştırabilecek beceriye sahip olana kadar en düşük sürüş hızını elde etmek için Şek. E17'yi takip edin.

Elektrikli çim biçme traktörü sürüş hızı ve bıçak hızı ayarlarını hafızaya kaydetmez. Traktör her kapatıldığında sürüş hızı ve bıçak hızı seviye 2'ye döner.

Sürüş Hızını Ayarlama (Şek. E17)

Bıçak Hızını Ayarlama (Şek. E18)

NOT: "Seviye 3"te bıçak hızını ayarlama düğmesine tekrar bastığınızda bıçak hızı önceki hızına döner.

LED Işıklar (Şek. E19)

- LED farlar, LED ışık anahtarı ile açılıp kapatılabilir.

USB Bağlantı Noktası

DİKKAT: USB bağlantı noktası, 1,5 Amperlik toplam çekişte 5 Volt DC şarj gücü sağlar ve sadece traktör çalışırken güç sağlar.

TRAKTÖRÜ DURDURMA (Şek. E20)

⚠ UYARI! Traktörün çalışması bir yokuşta durduğunda park freni pedalını daima park freni konumuna getirin, aksi takdirde traktör yokuş aşağı kayarak ciddi traktör hasarına veya yaralanmaya neden olabilir!

NOT: Park freni pedalının park freni konumuna ayarlanıp operatörün koltuktan kalktığı ancak akü takımlarının çıkarılmadığı bir durumda:

- LCD ekranın kapatılması durumunda akü göstergeleri, çalıştır/durdur düğmesi ve CCS düğmesi 1 saat boyunca yanık kalır.
- LCD ekranda "enerji göstergesi" veya operatör arayüzü görülmesi durumunda traktör 1 saat sonra otomatik olarak kapanır.

Koruma Modu

Akü şarjı kritik düzeyde düştüğünde, traktör şarj alanına geri dönmek üzere yeterli gücü korumak için Koruma moduna geçer.

- Bıçaklar, yalnızca çok az miktarda çimi kesebilecek düşük dönüş hızına geçer. Uzun ve yoğun çimlerle karşılaştığında bıçakların dönmesi duracaktır. Ses göstergesi aralıklı olarak çalacaktır (bip sesi).
- Traktör durum göstergesi her saniye kırmızı renkte yanıp söner, hem uyarı simgesi (düşük güç) hem de her dolu akü bölmesine ait simge yanıp söner.

Operatörün yapması gerekenler:

- Bıçak motorlarını kapatmak için PTO anahtarını aşağı doğru itin. Bıçak motorları durduğunda sesli göstergenin sesi durur.
- Çalışmayı bırakın ve mümkün olan en kısa sürede şarj alanına gidin. Bu durumda traktörün gidebileceği maksimum mesafe 1000 m'dir.

Akü bitmek üzereyken hem uyarı simgesi (düşük güç) hem de her dolu akü bölmesine ait simge her yarım saniyede bir yanıp söner. Traktörün çalışması hemen durur. Operatörün şarj için traktörü şarj alanına taşımaya gerekir.

DİKKAT: Manuel olarak itmek gerekirse akülerin traktör ile bağlantısının kesildiğinden ve park freni pedalının park freni konumunda olmadığından emin olun.

TRAKTÖRÜ SÜRME (Şek. E21)

⚠ TEHLİKE: Tüm hendeklerin, dik inişlerin veya su bulunan yerlerin en az iki biçme genişliği uzağında kalın. Traktör durduğunda frene basılrsa bile ön tekerlekler dönebilir ve traktörün eşik üzerinden geçmesine veya suya girmesine neden olabilir ve bu da ölüm ya da ciddi yaralanma ile sonuçlanabilir.

⚠ UYARI! Traktörü halka açık yollarda kullanmayın.

⚠ UYARI! Bir tıkanıklık olursa veya yabancı bir cisme çarparsanız motoru durdurun ve aküleri sökün. Çim kırıntılarını, yaprakları, kiri ve tüm diğer birikintileri temizleyin, traktörde hasar olup olmadığını iyice kontrol edin ve traktörü yeniden çalıştırıp kullanmadan önce hasarı onarın.

NOT:

- Sürüş esnasında koltuktan kalktığınızda traktör durum göstergesi söner. Sürüşe yeniden başladığınızda, koltuğa arkanıza yaslanın ve traktör durum göstergesinin yeşil yanmasını sağlamak için park freni pedalına tamamen basın.
- Sürüş sırasında ileri ve geri yön arasında geçiş yaparken yön kontrol kolunu nötr (boş) konumda durdurmadan doğrudan bir uçtan diğer uca hareket ettirin, aksi takdirde traktörün hareketi durabilir.

HIZ SABİTLEYİCİYİ (CCS) KULLANMA

Hız Sabitleyiciyi (CCS) etkinleştirmek (moda girmek) için (Şek. E22):

NOT: LCD ekranda gösterilen sürüş hızı seviyesi, hız sabitleyicide traktörün gerçek sürüş hızını tam olarak yansıtmayabilir. LCD ekrandaki sürüş hızı seviyesini "yenilemek" için hız ayar düğmesine basın.

Hız Sabitleyiciyi (CCS) durdurmak (moddan çıkmak) için şu üç yoldan birini seçebilirsiniz:

- Gaz pedalına sonuna kadar basın ve basmaya devam edin. CCS işlevi durur ve traktör çalışmaya devam eder.
- Gaz pedalına hafifçe basın ve ardından bırakın. Traktör ve CCS işlevi durur.
- CCS düğmesine basın. Traktör ve CCS işlevi durur.

NOT: CCS durduğunda “” simgesi LCD ekrandan kaybolur ve iki kez bip sesi çalar.

NOT: Park freni pedalına basılırsa, traktör durur ancak LCD ekranda “” simgesi yanıp sönerek CCS'nin bekleme modunda olduğunu gösterir. Bu durumda, park freni pedalını bırakın, CCS düğmesine basın. Traktör otomatik olarak sürüşe devam eder ve “” simgesinin yanıp sönmesi durur.

GERİ GİDERKEN BIÇAKLARI ÇALIŞTIRMA

DİKKAT: Geri giderken çim biçilmesi önerilmez.

⚠ UYARI! Geriye doğru çim biçerken çok dikkatli olun. Geriye doğru çim biçme işlemi öncesinde ve sırasında çalışma alanına hiç kimsenin, özellikle de küçük çocukların girmediğinden daima emin olun.

⚠ UYARI! Torbalayıcı kiti takılı traktörün çalıştırılması sırasında operatörlerin görüşü olumsuz etkilenebilir. Geriye doğru çim biçmeden önce ve çim biçerken son derece dikkatli olunması ve çevreye aşına olunması her zaman dikkate alınmalıdır.

GERİ BIÇME'yi etkinleştirmek (moda girmek) için (E23):

GERİ BIÇME'yi durdurmak (moddan çıkmak) için şu dört yoldan birini seçebilirsiniz:

- GERİ BIÇME düğmesine bir kez basın.
- Traktör koltuğundan kalkın.
- LCD ekranı kapatmak için çalıştır/durdur düğmesine 3 sn. basın.
- Traktörü kapatmak için emniyet anahtarını çıkarın veya akü takım(lar)ını çıkarın.

NOT: GERİ BIÇME durdurulduğunda, LCD ekranda “” simgesi yanar.

ÇİM TORBALAYICISINI BOŞALTMA (Şek. E24)

NOT: LCD ekranda “” simgesi yanıp söndüğünde çim torbalayıcısı doludur. Torbalayıcıyı boşaltıldıktan sonra “” simgesi LCD ekrandan kaybolur.

NOT: Çim torbalayıcı traktöre düzgün şekilde yerleştirilmelidir, aksi halde traktör çalıştırılabilir ancak bıçak motorları çalıştırılmaz.

BAKIM

⚠ UYARI! Daima yan siperleri olan göz koruması kullanın. Aksi halde gözlerinize nesneler fırlayabilir ve ciddi yaralanmalar oluşabilir.

⚠ UYARI! Traktör bıçağı üzerinde herhangi bir bakım işlemi yaparken her zaman dayanıklı eldivenler takarak ve/veya bıçağın keskin kenarlarına üstü�ü ve diğer malzemeleri sararak ellerinizi koruyun. Traktörü taşıırken veya bakım/onarım yaparken daima emniyet anahtarını ve aküyü çıkarın.

ÖNERİLEN BAKIM PROGRAM(LAR)

Bakım Aralığı	Bakım Prosedürü
Her kullanımdan önce veya günlük	<ul style="list-style-type: none"> ■ Güvenlik kilidi sistemini kontrol edin. ■ Lastiklerin şişirilip şişirilmediğini görsel olarak kontrol edin. ■ Bıçakları inceleyin. ■ Ürünün tamamını inceleyerek yan boşaltma oluğu, vidalar, somunlar, cıvatalar, kapaklar gibi parçalarda hasar, eksiklik veya gevşeklik olup olmadığını kontrol edin ve tüm emniyet tertibatının yerinde ve düzgün çalışır durumda olduğundan emin olun. ■ Gaz pedalına düzgün şekilde basılıp bırakılabildiğini kontrol edin ve emin olun. ■ Direksiyon amortisörünü kontrol edin. Direksiyon simidi belirli bir dirençle döndürülmelidir.
Her kullanımdan sonra	<ul style="list-style-type: none"> ■ Traktörü temizleyin ve biçme haznesini yıkayın.
Her 25 saatte bir	<ul style="list-style-type: none"> ■ Lastik basıncını kontrol edin.
Her 100 saatte bir	<ul style="list-style-type: none"> ■ Arka tekerlekleri kontrol edin ve tüm somunlu cıvataların önerilen tork değerinde (101-103 Nm) sıkıldığından emin olun. ■ Ön tekerlekleri kontrol edin ve somunun önerilen tork değerinde (90-92 Nm) sıkıldığından emin olun.
Her 200 saatte bir	<ul style="list-style-type: none"> ■ Ön tekerlekleri kontrol edin ve serbestçe döndüklerinden emin olun.
Her altı ayda bir	<ul style="list-style-type: none"> ■ Park freni pedalını kontrol edin. Aküyü traktörden çıkarın, ardından park freni kilit kolunu yukarı çekin ve park frenini çekmek için park freni pedalına basın. Traktörün arka tekerlekler dönmeden hareket ettirilip hareket ettirilemeyeceğini görmek için traktörü manuel olarak ileri doğru itin. Bu sırada traktör hareket ediyor ve arka tekerlekler dönüyorsa lütfen onarım için EGO müşteri hizmetleri merkeziyle iletişime geçin.
Depolamadan önce	<ul style="list-style-type: none"> ■ Aküleri traktörden çıkarın. ■ Emniyet anahtarını traktörden çıkarın. ■ Yukarıda listelenen tüm bakım işlemlerini gerçekleştirin ve traktörü iyice temizleyin. ■ Tüm ürünü hasarlı, eksik veya gevşek parçalar açısından inceleyin, depolamadan önce ilgili olanları değiştirin veya sıkın.
Yıllık	<ul style="list-style-type: none"> ■ Ön tekerleklerin mil manşonlarını yağlayın.

GENEL BAKIM

Çimleri boşaltma (Şek. F1 – F3)

Traktör gövdesini temizleme (Şek. F4)

Traktör biçme haznesini temizlemek için yıkama ağzını kullanma (Şek. F5 – F6)

F5-1	Yıkama Ağız	F5-2	Yıkama Ağız Hızlı Bağlantı Parçası
F5-3	Bahçe Hortumu		

DİKKAT: Temizlemeyi bitirirken, traktörü tamamen kapatın ve ardından bahçe hortumunu ve hızlı bağlantı parçasını çıkarın.

TRAKTÖR BİÇME HAZNESİNİN VE KESME BİÇAKLARININ BAKIMI

Hazırlık (Şek. G1)

Bıçme haznesini çıkarma (Şekil G2 – G3)

G2-1	Motor Kablosu	G2-2	Çatal Pim
G2-3	Süspansiyon Bağlantısı		

Kesme bıçaklarını değiştirme (Şek. G4 – G6)

G4-1	Stabilizör	G5-1	Cıvata
G5-2	Rondela	G5-3	Bıçak
G5-4	Flanş	G5-5	Motor Mili

Bıçme haznesini hizalama

- Ne zaman hizalamalı (Şek. G7 / Şek. G8 / Şek. G9)
- Hizalamadan önce
 - Soğuk lastik basıncının kontrol edilmesi (Şek. G10)
 - Kesme bıçaklarını kontrol edin. Gerekirse aşınmış, çatlamış ve/veya bükülmüş bıçakları çıkarın ve değiştirin.
- Hizalama hazırlığı (Şek. G11)
- Nasıl hizalanır
 - Yan yana hizalama yapmak için (Şek. G12)
 - Ön arka hizalama yapmak için (Şek. G13)

DEPOLAMA VE TAŞIMA

TRAKTÖRÜ TAŞIMA (Şek. H1 – H5)

H2-1	Rampalar	H2-2	Kayışlar
------	----------	------	----------

DİKKAT: Taşıma sırasında hareket etmesini önlemek için kayışlar ve kablolar kullanarak traktörü gerektiği gibi sabitleyin.

DEPOLAMA (Şek. I1 – I2)

DİKKAT: Akü takım(lar)ını çıkarın ve ayrı depolayın, ilgili kılavuzlara ayrı bakın.

Depolamadan önce traktörü temizleyin ve kontrol edin, "GENEL BAKIM" ve "ÖNERİLEN BAKIM PROGRAM(LAR)I" bölümlerine bakın.


Çevre koruması



WEEE (Atık Elektrikli ve Elektronik Cihazlar) Elektrikli cihazları, kullanılmış aküyü ve şarj cihazını evsel atıklarla bertaraf etmeyin! Bu ürünü yetkili bir geri dönüşüm merkezine götürün ve ayrı bir şekilde toplanmasını sağlayın. Elektrikli aletler çevreyle uyumlu bir geri dönüşüm tesisine teslim edilmelidir.

SORUN GİDERME

SORUN	NEDENİ	ÇÖZÜM
Gaz pedalına basıldığında elektrikli çim biçme traktörü çalışmıyor.	<ul style="list-style-type: none"> Takılan akülerin toplam Ah değeri gereksinimi karşılamıyordur. 	<ul style="list-style-type: none"> Bu traktörü çalıştırmak için bu kılavuzun "AKÜ TAKIMINI TAKMA/ÇIKARMA" bölümündeki talimatları izleyerek yeterli sayıda EGO aküsü kullanın.
	<ul style="list-style-type: none"> Park freni pedalı, frenleme konumuna getirilmiştir. 	<ul style="list-style-type: none"> Park freni konumundan çıkarmak için park freni pedalına tamamen basın.
	<ul style="list-style-type: none"> Traktör durum göstergesi yeşil renkte yanmıyordur. 	<ul style="list-style-type: none"> Park freni pedalına basın ve ardından bırakın. Traktör durum göstergesi yeşil renkte yanar, bu da traktörün çalışmaya hazır olduğu anlamına gelir.
	<ul style="list-style-type: none"> Operatör koltukta oturmuyordur. 	<ul style="list-style-type: none"> Traktör yalnızca operatör koltuğa düzgün bir şekilde oturduğunda çalıştırılabilir.
	<ul style="list-style-type: none"> Koltuk emniyet kilidi sistemi düzgün bağlanmamıştır. 	<ul style="list-style-type: none"> Aküler traktörden çıkarın ve kablo fişinin koltuğun altındaki sokete düzgün şekilde takıldığından emin olmak için koltuğun arkasını yukarı kaldırın (bkz. bölüm "KOLTUĞU TAKMA"). Traktörün çalıştırılıp çalıştırılmayacağını görmek üzere traktörü yeniden çalıştırmak için "TRAKTÖRÜ ÇALIŞTIRMA" bölümündeki talimatları izleyin. Bu çözümler işe yaramıyorsa lütfen onarım için EGO müşteri hizmetleri merkezini arayın.
	<ul style="list-style-type: none"> Aşırı soğuk havalarda, düşük sıcaklık koruması nedeniyle sürüş işlevi başarıyla çalıştırılmayabilir. 	<ul style="list-style-type: none"> Traktörü ve aküleri daima ılık bir ortamda depolayın. Traktör ısındığında yeniden çalıştırın. Aşırı soğuk havalarda lütfen çok fazla çalışma denemesi yapmayın aksi halde makine hasar görebilir.
	<ul style="list-style-type: none"> Gaz pedalının hareket yolu artıklarla tıkanmıştır. 	<ul style="list-style-type: none"> Kalıntıları kontrol edin ve temizleyin.
	<ul style="list-style-type: none"> Gaz pedalının mekanik veya elektronik bileşenlerinde arıza vardır. 	<ul style="list-style-type: none"> Onarım için EGO müşteri hizmetleri merkezini arayın.
<ul style="list-style-type: none"> Yön kontrol kolu nötr (boş) konuma getirilmiştir. 	<ul style="list-style-type: none"> Yön kontrol kolunu "D" veya "R" yönünde itin/çekin. 	

SORUN	NEDENİ	ÇÖZÜM
Elektrikli çim biçme traktörü sürüş sırasında duruyor.	<ul style="list-style-type: none"> Sürüş sırasında ileri ve geri yön arasında geçiş yaparken yön kontrol kolu uzun süre nötr (boş) konumda kalmıştır. 	<ul style="list-style-type: none"> Gaz pedalını bırakın ve ardından tekrar basın.
	<ul style="list-style-type: none"> Gaz pedalının elektronik bileşenlerinde arıza vardır. 	<ul style="list-style-type: none"> Onarım için EGO müşteri hizmetleri merkezini arayın.
	<ul style="list-style-type: none"> Engelibeli bir arazide sürüş sırasında koltuk emniyet kilidi sisteminin bağlantısı kesilmiştir. 	<ul style="list-style-type: none"> Aküleri traktörden çıkarın ve kablo fişinin koltuğun altındaki sokete düzgün şekilde takıldığından emin olmak için koltuğun arkasını yukarı kaldırın (bkz. bölüm "KOLTUĞU TAKMA"). Traktörün çalıştırılıp çalıştırılmayacağını görmek üzere traktörü yeniden çalıştırmak için "TRAKTÖRÜ ÇALIŞTIRMA" bölümündeki talimatları izleyin. Bu çözümler işe yaramıyorsa onarım için EGO müşteri hizmetleri merkezini arayın.
	<ul style="list-style-type: none"> Operatörün ağırlığı koltuğa eşit olarak dağıtılmamıştır. Koltuk emniyet kilidi sisteminin düzgün çalışması için operatörün koltukta ağırlığı en az 20 kg olmalıdır. 	<ol style="list-style-type: none"> Koltuğa düzgün bir şekilde oturun, park freni pedalına tamamen basın ve bırakın, ardından traktör sürüşe hazır hale gelir. Gerekirse akülerin bağlantısını kesin ve tekrar takın.
	<ul style="list-style-type: none"> Park freni pedalına yeterince basılmış ancak park konumunda kilitlenmemiştir, bu durumda traktörü durur. 	<ul style="list-style-type: none"> Traktörü yeniden çalıştırmak için "TRAKTÖRÜ ÇALIŞTIRMA" bölümündeki talimatları izleyin.
Elektrikli çim biçme traktörü, PTO anahtarı etkinleştirildiğinde bıçakları çalıştırmıyor.  PTO Anahtarı simgesi yanıp sönüyor	<ul style="list-style-type: none"> Takılan akülerin toplam Ah değeri gereksinimi karşılamıyordur. 	<ul style="list-style-type: none"> Bu traktörü çalıştırmak için bu kılavuzun "AKÜ TAKIMINI TAKMA/ÇIKARMA" bölümündeki talimatları izleyerek yeterli sayıda EGO aküsü kullanın.
	<ul style="list-style-type: none"> Traktör en son kapatıldığında PTO anahtarı aşağıya doğru basılmamıştır. 	<ul style="list-style-type: none"> Bıçak motorlarını yeniden başlatmak için PTO anahtarını aşağı ve ardından yukarı itin.
	<ul style="list-style-type: none"> Traktör, bıçaklar dönmeye başladığı anda aşırı yüklenmiş ve bıçak motorlarının otomatik korumasını tetiklemiştir. 	<ul style="list-style-type: none"> Traktörü önce düşük bıçak hızında başlatın ve bıçaklar başarıyla dönene kadar bıçak hızını artırmayın.
	<ul style="list-style-type: none"> Aşırı soğuk havalarda, düşük sıcaklık koruması nedeniyle bıçak motoru başarıyla çalıştırılmayabilir. 	<ul style="list-style-type: none"> Traktörü ve aküleri daima ılık bir ortamda depolayın. Traktör ısındığında yeniden çalıştırın. Aşırı soğuk havalarda lütfen çok fazla çalıştırma denemesi yapmayın aksi halde makine hasar görebilir.
	<ul style="list-style-type: none"> Bıçaklar, deforme olmuş traktör biçme haznesine takılıyordur 	<ul style="list-style-type: none"> Onarım için EGO Müşteri Hizmetleri Merkezini arayın.
	<ul style="list-style-type: none"> Çim torbalayıcı düzgün takılmamıştır. 	<ul style="list-style-type: none"> Çim torbalayıcıyı, kılavuzdaki "ÇİM TORBALAYICIYI TAKMA" bölümünü izleyerek düzgün bir şekilde takın.

SORUN	NEDENİ	ÇÖZÜM
Çim biçme sırasında bıçakların çalışması duruyor.	<ul style="list-style-type: none"> Traktör aşırı yüklenmiştir. 	<ul style="list-style-type: none"> Traktörün yükünü azaltmak için biçme haznesi kesim yüksekliğini artırın veya sürüş hızını azaltın.
	<ul style="list-style-type: none"> Bıçme haznesi çim ve artık maddeler nedeniyle tıkanmıştır. 	<ul style="list-style-type: none"> Bıçme haznesini temizleyin ve bıçakların serbestçe hareket ettiğinden emin olun.
	<ul style="list-style-type: none"> Traktör aşırı ısınmıştır. 	<ul style="list-style-type: none"> Bıçme haznesi kesim yüksekliğini artırarak veya bıçak/ sürüş hızını yavaşlatarak traktörün yükünü azaltın ve traktörün soğumasını bekleyin.
	<ul style="list-style-type: none"> Traktörün akü bölgesindeki aküler aşırı ısınmıştır ve bunun sonucunda tüm takılı akülerin toplam Ah değeri gereksinimi karşılamamıştır. 	<ol style="list-style-type: none"> Aşırı ısınan akü dışında akülerin toplam Ah gücü gereksinimi karşılırsa traktör çalışmaya devam edebilir. Aşırı ısınan akü normal sıcaklığına döndüğünde hemen traktöre güç sağlayamaya katılacaktır. Toplam akü Ah değeri gereksinimi karşılamıyorsa boş akü bölmelerine daha fazla akü takılana kadar traktör çalışmaz. Çalışmaya devam ederken biçme haznesi kesim yüksekliğini artırarak veya traktörü yavaşlatarak traktörün yükünü azaltın.
	<ul style="list-style-type: none"> Traktör Koruma modundadır. 	<ul style="list-style-type: none"> Traktör Koruma modundayken bıçaklar otomatik olarak düşük dönüş hızına geçer. Operatörün çalışmayı durdurması ve en kısa sürede akü şarj alanına sürmesi gerekir.
	<ul style="list-style-type: none"> Traktöre yabancı bir nesne çarpmıştır ve bu da motorun kendini korumasına neden olmuştur. 	<ul style="list-style-type: none"> Bıçak motorlarını yeniden başlatmak için PTO anahtarını aşağı ve ardından yukarı itin.
	<ul style="list-style-type: none"> Traktör, LCD ekranda GERİ BİÇME KAPALI simgesi yanarken geriye doğru hareket ediyordur. 	<ul style="list-style-type: none"> PTO anahtarını aşağı bastırın ve "GERİ BİÇME'yi etkinleştirmek (moda girmek) için" bölümündeki talimatları izleyerek bıçak motorlarını yeniden başlatın.
Ses göstergesi ses çıkarmaya devam ediyor.	<ul style="list-style-type: none"> Traktör Koruma modundadır ve bıçaklar açılmamıştır. 	<ul style="list-style-type: none"> Bıçak motorlarını kapatmak için PTO anahtarını aşağı itin. Bıçak motorları kapatıldığında ses göstergesi ses çıkarmayı durdurur.
	<ul style="list-style-type: none"> Traktör eğimli bir yerde sürüşü durdurmuş ve operatör park freni pedalını park freni konumuna getirmeden koltuktan kalkmıştır. 	<ul style="list-style-type: none"> Traktörü yokuşta bırakmadan önce park freni pedalını park freni konumuna getirin.
Akü takımlarındaki güç göstergeleri, traktör kapatıldığında hala yanıyor.	<ul style="list-style-type: none"> Akü takım(lar)ı traktörden çıkarılmadan traktör düz zeminde kapatıldığında, güç göstergeleri bir süre yanık kalır. 	<ul style="list-style-type: none"> Herhangi bir işleme gerek yoktur. Traktör kapandıktan bir süre sonra akü göstergeleri söner. Bu süre için "TRAKTÖRÜ DURDURMA" bölümüne bakın
	<ul style="list-style-type: none"> Traktör, park freni çekilmeden yokuşta kapatıldığında, akü takımlarındaki güç göstergeleri akü şarjı bitene kadar yanık kalır. Ses göstergesi de aynı zamanda ses çıkarmaya devam eder. 	<ul style="list-style-type: none"> Traktörü yokuşta bırakmadan önce park freni pedalını park freni konumuna getirin. Aksi takdirde traktör yokuştan aşağı kayabilir.

SORUN	NEDENİ	ÇÖZÜM
Tüm simgeler açıkken LCD ekranının ışıkları yanmıyor.	<ul style="list-style-type: none"> Çalıştır/durdur düğmesine yeterli süre basılmamıştır. 	<ol style="list-style-type: none"> Çalıştır/Durdur düğmesine kısa süre basıldığında LCD ekranda sadece "enerji seviyesi göstergesi" gösterilir. Park freni pedalına tamamen basıldığında ve aynı anda çalıştır/durdur düğmesine yeterli süre basıldığında LCD ekran açılır.
	<ul style="list-style-type: none"> LCD ekranda emniyet anahtarı simgesi "⚡" yanıp sönerken emniyet anahtarı takılmamıştır. 	<ul style="list-style-type: none"> Emniyet anahtarını takın, ardından park freni pedalına tamamen basın ve LCD ekranı açmak için aynı anda yeterli süre boyunca çalıştır/durdur düğmesine basın.
	<ul style="list-style-type: none"> LCD ekranda park freni simgesi "Ⓟ" yanıp sönerken park freni pedalına tam olarak basılmamıştır. 	<ul style="list-style-type: none"> Emniyet anahtarını takın, ardından park freni pedalına tamamen basın ve LCD ekranı açmak için aynı anda yeterli süre boyunca çalıştır/durdur düğmesine basın.
Traktör, önden arkaya doğru önemli ölçüde yükseklik farklı olacak şekilde eşit olmayan kesim yapıyor.	<ul style="list-style-type: none"> Bıçaklar körelmiştir. 	<ul style="list-style-type: none"> Kesme bıçaklarını bu kılavuzdaki talimatlara göre keskin hale getirin veya değiştirin.
	<ul style="list-style-type: none"> Bıçaklar bükülmüştür. 	<ul style="list-style-type: none"> Bükülmüş kesme bıçaklarını "Kesme bıçaklarını değiştirme" bölümündeki talimatları izleyerek değiştirin.
	<ul style="list-style-type: none"> Biçme haznesi hizalanmamıştır, bu da farklı kesme bıçağı yüksekliğine neden olmuştur. 	<ul style="list-style-type: none"> Biçme haznesini "Biçme haznesini hizalama" bölümündeki talimatları izleyerek hizalayın.
Fiili olarak gerçekleşen çim kesme yüksekliği belirtilen yükseklikle aynı hizada değil.	<ul style="list-style-type: none"> Süspansiyon bağlantısındaki biçme haznesi somunları gevşemiştir. 	<ul style="list-style-type: none"> Traktör biçme haznesinin önden arkaya doğru hizalamasını düzeltmek için "Biçme haznesini hizalama" bölümündeki talimatları uygulayın ve süspansiyon bağlantısındaki somunları sağlam bir şekilde sıkın.
	<ul style="list-style-type: none"> Biçme haznesi hasar görmüştür veya ciddi biçimde aşınmıştır. 	<ul style="list-style-type: none"> Traktör biçme haznesinin değiştirilmesi için "Biçme haznesini çıkarma" bölümündeki talimatları izleyin.
Traktör düzgün malçlama yapmıyor.	<ul style="list-style-type: none"> Islak çim kırıntıları biçme haznesinin altına yapışmıştır. 	<ul style="list-style-type: none"> Çim biçmeye başlamadan önce çimlerin kurumasını bekleyin.
	<ul style="list-style-type: none"> Traktör, bir defada çok fazla çim kesecek şekilde ayarlanmıştır. 	<ul style="list-style-type: none"> Biçme haznesi kesim yüksekliğini artırın.
Aşırı titreşim var.	<ul style="list-style-type: none"> Kesme bıçakları çok gevşektir. 	<ul style="list-style-type: none"> Bıçak civatasını önerilen tork değerine sıkın.
	<ul style="list-style-type: none"> Bıçaklar bükülmüştür. 	<ul style="list-style-type: none"> Bükülmüş kesme bıçaklarını "Kesme bıçaklarını değiştirme" bölümündeki talimatları izleyerek değiştirin.
	<ul style="list-style-type: none"> Biçme haznesi hizalanmamıştır. 	<ul style="list-style-type: none"> Traktör biçme haznesini "Biçme haznesini hizalama" bölümündeki talimatları izleyerek hizalayın.
	<ul style="list-style-type: none"> Süspansiyon bağlantısındaki biçme haznesi somunları gevşemiştir. 	<ul style="list-style-type: none"> Süspansiyon bağlantısı üzerindeki somunları sıkın.
	<ul style="list-style-type: none"> Biçme haznesi, bir defada çok fazla çim kesecek şekilde ayarlanmıştır. 	<ul style="list-style-type: none"> Biçme haznesi kesim yüksekliğini artırın.
Çim biçtikten sonra zeminde çim veya birikintiler kalıyor.	<ul style="list-style-type: none"> Traktör, çimler uzunken bir defada çok fazla çim kesecek şekilde ayarlanmıştır. 	<ul style="list-style-type: none"> Yüksek bir kesim uzunluğu ile başlayın ve istenilen biçme uzunluğunu elde edene kadar uzunluğu azaltın. 152 mm'den daha uzun çimler, arka arkaya daha kısa kesim uzunluklarında iki kez biçilmelidir.
	<ul style="list-style-type: none"> Çimler ıslaktır. 	<ul style="list-style-type: none"> Çimler ıslakken çim biçmeyin. Çimler kuruyana kadar bekleyin.
	<ul style="list-style-type: none"> Sürüş hızı çok yüksektir. 	<ul style="list-style-type: none"> Sürüş hızını düşürün.
	<ul style="list-style-type: none"> Bıçak hızı çok düşüktür. 	<ul style="list-style-type: none"> Bıçak hızını kademeli olarak artırın.

SORUN	NEDENİ	ÇÖZÜM
Birlikte verilen akülerle traktörün çalışma süresi kısa sürüyor.	<ul style="list-style-type: none"> Çim arazi, çim koşulları, kesme yüksekliği ayarı, sürüş hızı, bıçak hızı vb. çalışma süresini büyük ölçüde etkiler. 	<ul style="list-style-type: none"> Kesme yükünü azaltmak için biçme haznesi kesim yüksekliğini artırın ve sürüş hızını azaltın.
Traktör düz bir şekilde ilerlemiyor.	<ul style="list-style-type: none"> Sol ve sağ tekerleklerin lastik basınçları farklıdır. 	<ul style="list-style-type: none"> Hem ön hem de arka tekerleklerin hava basıncını bu kılavuzun "TEKNİK ÖZELLİKLER" bölümündeki önerilere uygun olarak kontrol edin ve ayarlayın.
Park freni pedalı park freni konumundan bırakılmıyor veya pedal yavaş geri geliyor.	<ul style="list-style-type: none"> Park freni pedasının hareket yolu birikintilerle tıkanmıştır. 	<ul style="list-style-type: none"> Artıkları kontrol edin ve temizleyin.
Traktör durum göstergesi sabit kırmızı yanarken şarj bağlantı noktası üzerinden şarj edilemiyor.	<ul style="list-style-type: none"> Şarj cihazının fişi, traktördeki şarj bağlantı noktasına doğru takılmamıştır. 	<ul style="list-style-type: none"> Traktörün normal şekilde şarj olup olmadığını görmek için şarj fişini yeniden takın.
	<ul style="list-style-type: none"> Elektrik prizinde elektrik yoktur. 	<ul style="list-style-type: none"> Herhangi bir işleme gerek yoktur. Güç geri gelene kadar bekleyin.
	<ul style="list-style-type: none"> Şarj cihazı arızalıdır. 	<ul style="list-style-type: none"> Lütfen EGO müşteri hizmetleri merkeziyle iletişime geçin ve şarj cihazının yetkili bir servis teknisyeni tarafından kontrol edilmesini ve/veya onarılmasını sağlayın.
	<ul style="list-style-type: none"> Traktördeki şarj cihazı bağlantı noktası arızalıdır. 	<ul style="list-style-type: none"> Lütfen onarım için EGO müşteri hizmetleri merkezi ile iletişime geçin.
Traktör şarj bağlantı noktası üzerinden şarj etme süresi çok uzun sürüyor.	<ul style="list-style-type: none"> Şarj için ACA1000 EGO Adaptörünü kullanmak daha uzun süre gerektirir. 	<ul style="list-style-type: none"> Elektrikli çim traktörünü doğrudan şarj etmek için EGO şarj cihazı CHV1600E'ü kullanın.
Aküler, traktör şarj bağlantı noktası üzerinden tam olarak şarj edilemiyor.	<ul style="list-style-type: none"> Traktör veya akü paketinde yazılım hatası veya şarj cihazı arızası vardır. 	<ul style="list-style-type: none"> Şarj cihazını prizden çıkarıp birkaç dakika bekleyerek şarj cihazını sıfırlayın. Ardından fişi güç kaynağına yeniden takın. Bu işlem sorunu çözmezse EGO Müşteri Hizmetleri Merkezini arayın.
Traktör temizlendikten sonra çalıştırmıyor.	<ul style="list-style-type: none"> Elektrikli parçalara, LCD ekrana su girmesi gibi uygun olmayan şekilde temizlik yapılmıştır. 	<ol style="list-style-type: none"> Traktörü doğru şekilde temizlemek için "GENEL BAKIM" bölümündeki talimatları izleyin. Traktörü yanlışlıkla yağmura yakalanırsa kurumaya bırakın veya kurutmak için basınçlı hava kullanın.
Bıçme haznesi çabuk tıkanıyor.	<ul style="list-style-type: none"> Bıçme haznesi önceki kullanımdan sonra düzgün temizlenmemiştir. 	<ul style="list-style-type: none"> "Bıçme Haznesini Temizlemek için Yıkama Ağzını Kullanma" bölümünü izleyerek her kullanımdan sonra bıçme haznesini temizleyin.
Traktör yokuş yukarı çıkarken çekim gücünü kolayca kaybediyor.	<ul style="list-style-type: none"> Arka tekerleklerin lastikleri aşınmıştır. 	<ul style="list-style-type: none"> Tekerlek lastiklerini değiştirmek için yerel servise başvurun.
	<ul style="list-style-type: none"> Dik bir yamaçta biçme yapılıyor. 	<ul style="list-style-type: none"> Traktör olması gerekli dereceden daha dik yokuşlarda biçme amacıyla kullanılmamalıdır.
Traktör, park freni pedalı devredeyken bir yokuşta durdurulduğunda, traktör yokuş aşağı gidebiliyor.	<ul style="list-style-type: none"> Fren bileşenleri, traktörün yanlış çalışması nedeniyle aşırı aşınmıştır. 	<ul style="list-style-type: none"> Onarım için EGO müşteri hizmetleri merkezini arayın.
Bıçme haznesini yıkamaya çalışırken yıkama ağzından su gelmiyor.	<ul style="list-style-type: none"> Yıkama ağzı hızlı bağlantı parçası, yıkama ağzına düzgün takılmamıştır. 	<ul style="list-style-type: none"> Yıkama ağzı hızlı bağlantı parçasını yeniden takın ve net bir tık sesi duyana kadar sıkıca itin. Bu çözüm işe yaramazsa EGO Müşteri Hizmetleri Merkezini arayın.
Traktörü çalıştırmadan manuel olarak itinçe anormal bir ses duyuluyor.	<ul style="list-style-type: none"> Tahrik motorunun içindeki mıknatıslardan ses geliyordu. 	<ul style="list-style-type: none"> Bu durum normaldir ve herhangi bir işleme gerek yoktur.

SORUN	NEDENİ	ÇÖZÜM
Direksiyon simidi döndürülemiyor.	<ul style="list-style-type: none">▪ Direksiyon simidi tertibatı artıklarla tıkanmıştır.	<ul style="list-style-type: none">▪ Artıkları kontrol edin ve temizleyin.
Direksiyon simidini döndürünce traktör sola/sağa dönmüyor.	<ul style="list-style-type: none">▪ Elektronik veya mekanik bileşenlerde arıza vardır.	<ul style="list-style-type: none">▪ Onarım için EGO Müşteri Hizmetleri Merkezini arayın.
Gaz pedalını bırakınca traktör durmuyor.	<ul style="list-style-type: none">▪ Gaz pedalının dönüş yolu artıklarla tıkanmıştır.▪ Sürüş sırasında CCS düğmesine yanlışlıkla basılmıştır. Traktör hız sabitleme modundadır.	<ul style="list-style-type: none">▪ Artıkları kontrol edin ve temizleyin.▪ LCD ekranda CCS simgesinin yanıp yanmadığını kontrol edin ve gerekirse CCS'den çıkın. "HIZ SABİTLEYİCİYİ (CCS) KULLANMA" bölümüne bakın.
CCS işlevi etkinleştirilemiyor veya kapatılmıyor.	<ul style="list-style-type: none">▪ CCS düğmesine düzgün basılmamıştır.	<ul style="list-style-type: none">▪ CCS simgesi LCD ekranda yanana veya LCD ekrandan kaybolana kadar CCS düğmesine basın.
Traktörün ön tekerlekleri anormal bir gürültüyle dönüyor	<ul style="list-style-type: none">▪ Ön tekerleklerin mil manşonlarının yağlanması gerekir.	<ul style="list-style-type: none">▪ Akü paketlerini çıkarın ve ardından gres, ön tekerleklerin mil manşonlarının üst kenarından veya alt kenarından taşınca kadar enjeksiyon portlarını gresle doldurun.

TRAKTÖR DURUM REFERANSI

LCD Ekran	Açıklama	Traktör Durum Göstergesi	Ses Göstergesi	Nedeni	Çözüm
	Enerji Göstergesi Simgesi	KAPALI	Hayır	Takılı aküler için ortalama şarj kapasitesini gösterir.	Bu durum normaldir. Herhangi bir işleme gerek yoktur.
	Saat Ölçer Simgesi	KAPALI	Hayır	Traktörün toplam sürüş süresini saat cinsinden gösterir ve sıfırlanamaz.	Bu durum normaldir. Herhangi bir işleme gerek yoktur.
	Yük Göstergesi Simgesi	KAPALI	Hayır	Traktörün mevcut yükünü gösterir.	Bu durum normaldir. Herhangi bir işleme gerek yoktur.
	LCD ekranda LED ışıklar simgesi yanar.	KAPALI	Hayır	Farlar LED ışık anahtarı ile açılır.	Bu durum normaldir. Herhangi bir işleme gerek yoktur.
	LCD ekranda Bluetooth simgesi yanar	KAPALI	Hayır	Traktör, Bluetooth üzerinden bir mobil cihaza bağlanır.	Bu durum normaldir. Herhangi bir işleme gerek yoktur.
	LCD ekranda GERİ BİÇME KAPALI simgesi yanar.	KAPALI	Hayır	Traktör geriye doğru hareket ettiğinde bıçakların açılmayacağını gösterir.	Bu durum normaldir. Gerekirse kılavuzdaki " GERİ GİDERKEN BİÇAKLARI ÇALIŞTIRMA " bölümünü izleyerek geriye doğru sürerken bıçakları açın.
	LCD ekranda Sürüş Simgesi yanar.	KAPALI	Hayır	Traktörün sürülebileceğini veya ileri doğru gittiğini gösterir.	Bu durum normaldir. Yön kontrol kolunu ihtiyaca göre "D", nötr veya "R" konumuna getirin.
	LCD ekranda Geri Simgesi yanar.	KAPALI	Hayır	Traktörün sürülebileceğini veya geriye doğru gittiğini gösterir.	
	Sürüş simgesi ve geri simgesi dönüşümlü olarak yanıp söner	KAPALI	Hayır	Traktörün sürülemediğini gösterir.	
	Emniyet anahtarı simgesi yanar	KAPALI	Hayır	Emniyet anahtarı doğru yerleştirilmiştir.	Bu durum normaldir. Herhangi bir işleme gerek yoktur.
	LCD ekranda "enerji göstergesi" görüntülendiğinde emniyet anahtarı simgesi yanıp söner.	KAPALI	Hayır	Emniyet anahtarı takılı değildir.	Traktörü çalıştırmak için emniyet anahtarını takın, ardından park freni pedalına tamamen basın ve aynı anda ÇALIŞTIR/DURDUR düğmesine 3 saniyeden uzun süre basın.
				Anahtar Kontrol Paneli Kutu Tertibatı bozuktur.	Onarım için EGO müşteri hizmetleri merkezini arayın.

LCD Ekran	Açıklama	Traktör Durum Göstergesi	Ses Göstergesi	Nedeni	Çözüm
	LCD ekranda "enerji göstergesi" görüntülendiğinde park freni simgesi yanıp söner.	KAPALI	Hayır	Park freni pedalına basılmamıştır.	Emniyet anahtarını takılıken traktörü çalıştırmak için park freni pedalına tamamen basın ve aynı anda ÇALIŞTIR/DURDUR düğmesine 3 saniyeden uzun süre basın.
	LCD ekranda operatör arayüzü görüntülendiğinde park freni simgesi yanıp söner.	KAPALI	Hayır	Traktör göstergesinin yeşil yanmasını sağlamak için park freni pedalına basmadan önce gaz pedalına basın.	"TRAKTÖRÜ ÇALIŞTIRMA" bölümünü izleyerek güç ünitesini yeniden başlatın.
	Park freni simgesi yanar	KAPALI	Hayır	Park freni pedalı park freni konumuna ayarlanmıştır.	Traktörü çalıştırmadan önce freni bırakın.
	Koltuk sensörü simgesi yanar	KAPALI	Hayır	Operatör koltuktan kalkmıştır veya koltuk emniyet kilidi sistemi devre dışı kalmıştır.	Operatör koltukta otururken simge yanıyorsa traktörü kullanmayı hemen bırakın ve koltuk bağlantısını kontrol edin. Traktörün koltuk bağlantısı doğruysa lütfen onarım için yetkili bir servis teknisyeni ile iletişime geçin.
	PTO Anahtarı simgesi yanıp sönüyor.	KAPALI	Hayır	Bıçak motorunun çalışması kesilmiştir ve PTO anahtarı kapalı konuma getirilmemiştir.	Traktörü yeniden çalıştırmadan önce bıçak motorlarını kapatmak için PTO düğmesine basın. Referans için bu kılavuzun "SORUN GİDERME" bölümüne bakabilirsiniz.
	Belirli bir akü bölmesinin simgesi yanıp söner.	KAPALI	Hayır	Aşırı akım nedeniyle belirli bir akü boşalıyordur.	Herhangi bir işleme gerek yoktur. Aşırı akımlı akü dışında akülerin toplam Ah gücü 15 Ah'a eşitse veya daha fazlaysa traktör çalışmaya devam edebilir. Aşırı akımlı akü normale döndüğünde hemen traktöre güç sağlar ve simge kaybolur.
	Boş akü bölmesi simgesi yanıp söner.	KAPALI	Hayır	Traktörün çalışması için akü kapasitesi yeterli değildir.	Bu traktörü çalıştırmak için bu kılavuzun "AKÜ TAKIMINI TAKMA/ÇIKARMA" bölümündeki talimatları izleyerek yeterli sayıda EGO aküsü kullanın.
	Sıcaklık simgesi ve tam kullanılan akü bölmesi simgesi aynı anda yanıp söner.	KAPALI	Hayır	İlgili numaralı akü bölümündeki akü aşırı ısınmıştır.	<ol style="list-style-type: none"> Aşırı ısınan akü dışında akülerin toplam Ah gücü gereksinimi karşılarsa traktör çalışmaya devam edebilir. Aşırı ısınan akü normal sıcaklığına döndüğünde hemen traktöre güç sağlayamaya katılacaktır. Toplam akü Ah değeri gereksinimi karşılamıyorsa boş akü bölmelerine daha fazla akü takılana kadar traktör çalışmaz. Çalışmaya devam ederken biçme haznesi kesim yüksekliğini artırarak veya traktörü yavaşlatarak traktörün yükünü azaltın.

LCD Ekran	Açıklama	Traktör Durum Göstergesi	Ses Göstergesi	Nedeni	Çözüm
	Sıcaklık simgesi yanıp söner.	KAPALI	Tek bip	Traktör aşırı ısınmıştır.	Bıçma haznesi kesim yüksekliğini artırarak veya bıçak/sürüş hızını yavaşlatarak traktörün yükünü azaltın. Mola verin ve traktörün soğumasını bekleyin.
				Traktör çok soğuktur.	Lütfen makineye hasar verebilecek tekrarlı denemeler yapmayın. Traktörü ve aküleri daima ılık bir ortamda depolayın. Traktör ısındığında yeniden çalıştırın.
	Uyarı simgesi yanıp söner	Kırmızı yanar	Tek bip	Bıçak motoruna aşırı yüklenilmiştir.	Traktörün yükünü azaltmak için bıçma haznesinin kesim yüksekliğini artırın veya sürüş hızını azaltın.
				Yan boşaltma oluğu çim ve döküntülerle tıkanmıştır.	Her kullanımdan sonra yan boşaltma oluğunu temizleyin.
				Bıçak ve traktör bıçma haznesi arasında bir parazit vardır.	EGO Müşteri Hizmetlerini Arayın
	Dolu olan her akü bölmesinin simgeleri ve uyarı simgesi LCD ekranda aynı anda her 1 saniyede bir yanıp söner.	Kırmızı yanar	PTO anahtarını aşağı doğru itene kadar bip sesi çıkarmaya devam eder.	Akülerin şarjı azdır ve traktör Koruma modundadır.	Çalışmayı durdurun ve akü şarj alanına geri dönün. NOT: Traktör Koruma modundayken bıçaklar, otomatik olarak düşük dönüş hızına geçer ve bu sırada ses göstergesi bip sesi çıkarmaya devam eder. Operatör, bıçak motorlarını kapatmak için PTO anahtarını aşağı doğru itmelidir. Ses göstergesi, bıçaklar durduktan sonra ses çıkarmayı durdurur.
	Dolu olan her akü bölmesinin simgesi ve uyarı simgesi her yarım saniyede bir yanıp söner.	Kırmızı yanar	Bip sesi çıkarmaya devam eder	Bıçak motorunun çalışması kesilmiştir ve PTO anahtarı kapalı konuma getirilmemiştir.	Traktörün çalışması hemen durur. Operatörün traktörü şarj için akü şarj alanına götürmesi gerekir.
	LCD ekranda CCS simgesi yanar	Sabit yeşil	Hayır	Traktör, gaz pedalına basmaya gerek kalmadan ayarlanan hızda ilerlemeye devam eder.	Bu durum normaldir. Gerekirse, kılavuzdaki " Hız Sabitleyiciyi (CCS) durdurmak (moddan çıkmak) için " bölümünüzü izleyerek CCS işlevini kapatın.
	LCD ekranda CCS simgesi yanıp söner.	KAPALI	Hayır	CCS (hız sabitleme sistemi) işlevi çalışmamıştır.	Traktör çok düşük hızda giderken veya geri giderken CCS işlevi ayarlanamaz.
				Traktörü durdurmak için park freni pedalına basılmıştır.	Park freni pedalı bırakıldıktan sonra CCS düğmesine bastığınızda LCD ekranda CCS simgesi yanar veya " Hız Sabitleyiciyi (CCS) durdurmak (moddan çıkmak) için " bölümündeki talimatları izleyerek CCS işlevinden çıkın.

LCD Ekran	Açıklama	Traktör Durum Göstergesi	Ses Göstergesi	Nedeni	Çözüm
	LCD ekranda torbalayıcı simgesi yanmıyor	Yok	Hayır	Çim torbalayıcının traktöre monte edilmediğini veya düzgün monte edilmediğini gösterir.	Çim torbalayıcıyı traktöre düzgün bir şekilde monte edin.
	LCD ekranda dolu torbalayıcı simgesi yanıp sönüyor	Yok	Hayır	Çim torbalayıcının dolu olduğunu gösterir.	Çim torbalayıcıyı boşaltın ve uygun şekilde değiştirin.
Yok	Yok	KAPALI	Bip sesi çıkarmaya devam eder	Traktör bir yokuşta park edilmiş ve operatör, park freni pedalını park freni konumuna ayarlamadan traktörden ayrılmıştır.	Park freni pedalını park freni konumuna getirin. Park freni simgesi yanar ve ses göstergesi bip sesi çıkarmayı durdurur.
KAPALI	Şarj Bağlantı Noktası Arızası	Sabit Kırmızı	Yok	Güç kaynağı yoktur.	Prizde 220 V - 240 V olup olmadığını veya soketin iyi durumda olup olmadığını kontrol edin.
		Sabit Kırmızı	Yok	Şarj bağlantı noktasında açık devre olması, sigortanın atması gibi elektronik arızalar vardır.	Onarım için EGO müşteri hizmetleri merkezini arayın.

ARIZA KODU REFERANSI

Açıklama	LCD'deki Arıza Kodu	Ses Göstergesi	Çözüm
Sol bıçak motoru dönmez.	509	Tek bip	Önce bıçağı kontrol edin. Cıvata gevşemişse önerilen torkla sıkın.
Sağ bıçak motoru dönmez.	609	Tek bip	Ya da onarım için EGO müşteri hizmetleri merkezini arayın.

DİKKAT: PCBA arızasını, gevşek bağlantıları, tahrik motorundaki ve bıçak motorlarındaki motor arızasını vb. gösteren LCD ekranda görülen tüm diğer arıza kodları için lütfen tüm akü takımlarını çıkarın ve traktörü yeniden çalıştırmak üzere birkaç dakika sonra yeniden takın. Bu işlem sorunu çözmezse lütfen arıza kodunu kaydedin ve onarım için EGO müşteri hizmetleri merkezi ile iletişime geçin.

TR

GARANTİ

EGO GARANTİ POLİTİKASI

EGO Garanti Politikasına ilişkin tüm hükümler ve koşullar için lütfen egopowerplus.eu adresindeki web sitesini ziyaret edin.

LUGEGE LÄBI KÕIK JUHISED!



LUGEGE KASUTUSJUHENDIT

OHUTUSSÜMBOL

Ohutussümbolite eesmärk on pöörata tähelepanu võimalikele ohtudele. Ohutussümbolitele ja nende juures olevatele seletustele tuleb korralikult tähelepanu pöörata ja need endale selgeks teha. Ohutussümbolid iseenesest ei kõrvalda ohtu. Nendega kaasnevad juhendid ja hoiatused ei asenda asjakohaseid õnnetuste ennetamise meetmeid.

⚠ HOIATUS. Enne käesoleva seadme kasutamist lugege kindlasti läbi ja tehke endale selgeks kõik kasutusjuhendis toodud ohutusjuhised, sh kõik ohutussümbolid, nagu „OHT”, „HOIATUS”, ja „ETTEVAATUST”. Kui allpool loetletud juhiseid ei järgita, võib tagajärjeks olla elektrilöökk, tulekahju ja/või rasked kehavigastused.

SÜMBOLITE TÄHENDUSED

Sel lehel on kujutatud ja kirjeldatud ohutussümboliteid, mida võib käesolevalt tootelt leida. Enne seadme kokkupanemist ja kasutamist lugege, tehke omale selgeks ja järgige kõiki juhiseid.

OHUTUSSÜMBOLID

	Ohutusteade		Lugege kasutusjuhend läbi ja tehke see endale selgeks
	Silmade kaitse		Ohutusseadiste hooldamine
	OHT – järsu kallaku oht		OHT – hoidke kõrvalised isikud löiketeradest eemal
	Ärge kunagi sõidutage niidukil lapsi		Vaadake tagurdamisel enda taha
	HOIATUS – Ärge kasutage seda masinat kallakutel, mis on suurema nurgaga kui 12°.		OHT – viskuvad esemed
	HOIATUS – HOIDKE KÄED JA JALAD EEMAL		Garanteeritud helivõimsuse tase. Vastavuses Euroopa Ühenduse direktiiviga.
	Ärge peale astuge		Elektriseadmete jäätmeid ei tohi visata olmejäätmete hulka. Viige volitatud taaskäitleja juurde.
	Toode vastab kohaldatavatele EÜ direktiividele.		TÄHELEPANU – Ärge vaadake töötava valgusti suunas.
	Alalisvool		Toode vastab kohaldatavatele Ühendkuningriigi õigusaktidele.

ET

kPa	Kilopaskal	RPM	Pööret minutis
V	Volti	m	Meetrid
in	Toll	cm	Sentimeetrid
Nm	Njuutonmeeter	mm	Millimeetrit
°C	Celsius	kg	Kilogramm
km/h	Kilomeetrit tunnis	IPX4	Kaitseklass

KASUTUSJUHENDIS KASUTATUD SÜMBOLID



Teave tuleb üles märkida



Näidatud toiming peatub

TEHNILISED ANDMED

Pinge	56 V	
Aluse suurus	98 cm	
Ratta suurus	Eesmine	15 x 6 – 6 in
	Tagumine	18 x 7,5 – 8 in
Külma rehvi rõhk	Eesmine	96,5 kPa
	Tagumine	170 kPa
Terakiirus (p/min)	Kuni 3000	
Maksimaalne sõidukiirus	Edasi	Kuni 9,6 km/h
	Tagurdamine	kuni 4,8 km/h
Lõikekõrguse reguleerimine (12 asendit)	25 – 100 mm	
Laadimistemperatuuri vahemik	5 °C – 40 °C	
Töötemperatuur	0 °C – 40 °C	
Hoiutemperatuur	-20 °C – 70 °C	
Kaal (ilma akuplokita)	220 kg	
Mõõdetud helirõhu tase L_{WA}	97,7 dB(A) K=1,75 dB(A)	
Helirõhk seadme operaatori kõrva juures L_{PA}	83,6 dB(A) K=3 dB(A)	
Garanteeritud helirõhk L_{WA} (mõõdetud vastavalt 2000/14/EN)	100 dB(A)	
Vibratsioon a_n	Käsi	0,24 m/s ² K=1,5 m/s ²
	Keha	0,18 m/s ² K=1,5 m/s ²

- Esitatud vibratsioonitaseme näit on mõõdetud standardsete testmeetodite kohaselt ja seda võib kasutada erinevate tööriistade võrdlemiseks.
- Esitatud vibratsioonitaseme näitu võib kasutada ka algse kokkupuutehinnangu andmiseks.

MÄRKUS! Tegelikul kasutamisel tekkiv vibratsioonitase võib esitatust erineda; turvalisuse eesmärgil peaks seadme kasutaja tegelikes kasutustingimustes kandma kindaid ja kuulmiskaitsmeid.

SOOVITATUD TARVIKUD

⚠ HOIATUS. Kasutage ainult allpool loetletud tarvikuid. Algele tootespetsifikatsioonile mittevastavate tarvikute kasutamine võib põhjustada häireid seadme töös ja puudujääke ohutuses.

OSA NIMI	MUDELI NUMBER
Terade komplekt	AB3801TD
Multšimispestik	AMP3800T

KIRJELDUS

TUNDKE OMA TRAKTORIT (Joonis A1)

1. Iste
2. Tassihoidjad
3. Tagaratas (veoratas) (x2)
4. Pesuava (x2)
5. Sõidulaud
6. Tugiratas (x2)
7. Esiratas (x2)
8. Esistange
9. Seisupiduri pedaal
10. LED-esituli (x2)
11. Toiteplokk
12. Hoiuruum
13. Seisupiduri lukustushoob
14. Rooliratas
15. Istekõrguse reguleerimishoob
16. Murukott
17. Laadimisport

ET

18. USB-port
19. Säilituskorv
20. Kiirendi pedaal
21. Teki kõrguse reguleerimishoob
22. Kallutushoob
23. Käepide
24. Traktori oleku indikaator
25. Terakiiruse reguleerimisnupp
26. TAGURPIDI NIITMISE nupp
27. Sisse-väljalülitusnupp
28. Suuna juhtimise hoob
29. Turvavõti
30. Jõuvõtuvõlli lüliti
31. CCS nupp
32. LED-valgusnupp/Bluetooth-nupp
33. Sõidukiiruse reguleerimisnupp
34. Toiteploki kaane vabastusnupp
35. Toiteploki kate
36. Kuue akukambriga toiteplokk
37. Akuvabastusnupp

TUNNE LCD-EKRAANI (Joonis A2)

Lisateavet LCD-ekraanil olevate ikoonide ja märgutulede kohta leiate jaotisest „NIIDUKI OLEKU VIIDE“ JA „RIKKEKOOD“.

1. CCS ikoon
2. Ohutusseadise oleku märgutuli
3. TAGURPIDI NIITMISE väljalülitusnupp
4. Sõidukiikoon
5. Tagurpidi ikoon
6. Turvavõtme ikoon
7. LED-tulete ikoon
8. Bluetoothi ikoon
9. Terakiiruse märgutuli
10. Tunniarvesti
11. Kütusemõõdik
12. Temperatuuri ikoon
13. Hoiatusikoon (ülekoormus / liiga väike koormus)
14. Vaba akupesade kate
15. Hõivatud akupesade kate
16. Veakoodi märgutuli
17. Koormuse märgutuli
18. Sõidukiiruse märgutuli
19. Täis koti ikoon
20. Koti puudumise ikoon

LAHTIPAKKIMINE

MÄRKUS! Ärge visake pakkematerjali ära enne, kui olete tööriista tähelepanelikult üle kontrollinud ja seda rahuldavate tulemustega kasutanud. Kui mõni pakendiloendis olev osa on puudu, võtke kohe ühendust EGO teenindusega.

MÄRKUS. Välja arvatud allpool pakendiloendis olevad tööriistad, on kõik muud juhendis mainitud tööriistad lihtsalt soovitatavad, kuid neid ei tarnita koos seadmega.

PAKENDILOEND (Joonis B)

B-1	Elektriline murutraktor	B-2	Iste
B-3	Rooliratas	B-4	Tolmukate
B-5	Kombineeritud võtmed	B-6	18 mm mutrivõti
B-7	Astmepoldid (1 tagavaraks)	B-8	M8 poldid (1 tagavaraks)
B-9	M12 poldid (1 tagavaraks)	B-10	Seibid (1 tagavaraks)
B-11	Turvavõti	B-12	Pesuava kiirühendus
B-13	Kasutusjuhend	B-14	Murukott (kahe poldi ja mutri komplektiga külglambrite jaoks)
B-15	U-kujuline klamber	B-16	Külglamber
B-17	Kallutushoob	B-18	Vasak ja parem murukoti klamber
B-19	Ristlatt	B-20	M8X40 polt
B-21	M8X25 polt	B-22	M8 mutter

KOKKUPANEK

ROOLI PAIGALDAMINE (Joonise C1)

C1-1	Roolisammas	C1-2	Rooliratas
C1-3	Keskjoon	C1-4	Seib
C1-5	Mutter	C1-6	18 mm mutrivõti
C1-7	Tolmukate		

ISTME PAIGALDAMINE (Joonis C2)

⚠ HOIATUS. Turvablokeerimissüsteemi ei tohi lahti ühendada ega sellest mööda minna. See võib traktori ootamatult käivita, põhjustades kehavigastusi.

C2-1	Iste	C2-2	Mutter (M8)
C2-3	Astmepolt	C2-4	Pistikupesade
C2-5	Pistik		

MURUKOTI PAIGALDAMINE (Joonised C3 – C8)

C3-1	U-kujuline klamber	C3-2	Kott
C3-2	4 poldi ja mutri komplekti (M8 X 40)	C3-4	Kombineeritud võti

ET

C4-1	Külgklambrid	C4-2	4 poldi ja mutri komplekti (M8 X 40)
C4-3	Kombineeritud võti	C5-1	Kallutushoob
C5-2	1 poldi ja mutri komplekt (M8 X 40)	C5-3	Kombineeritud võti
C6-1	Koti tugiklambrid	C6-2	4 poldi ja mutri komplekti (M8 X 25)
C6-3	Kombineeritud võtmed	C7-1	Ristlatt
C7-2	2 mutrit (M8)	C7-3	Kombineeritud võti

REGULEERIMINE

ENNE REGULEERIMIST (Joonis D1)

LÕIKAMISALUSE KÕRGUSE REGULEERIMINE (Joonis D2)

TUGIRATASTE REGULEERIMINE (Joonised D3 – D6)

D3-1	Tugirattad	D5-1	Mutter
D5-2	Kinnituspolt	D6-1	Niiduki aluse kõrguse silt

ISTME REGULEERIMINE (Joonis D7)

D7-1	Istekõrguse reguleerimishoob
------	------------------------------

KASUTAMINE

ENNE KASUTAMIST (Joonis E1)

SEISUPIDURI SEADISTAMINE (Joonised E2)

E2-1	Seisupiduri asend	E2-2	Vabastatud asend
------	-------------------	------	------------------

⚠ HOIATUS. SEISUPIDURI PEDAALIGA EI SAA SÕIDUKIIRUST ALANDADA. ÄRGE KUNAGI PROOVIGE VAJUTADA SEISUPIDURI PEDAALI SELLEKS, ET SÕIDU AJAL SÕIDU KIIRUST AEGLUSTADA. KUI SEISUPIDURI PEDAAL ON ALLA VAJUTATUD, KUID EI OLE SEISUPIDURI ASENDISSE KINNITATUD, EI OLE ELEKTRILINE PIDUR ENAM RAKENDATUD JA TRAKTOR PEATAB LIIKUMISE LAMEDAL PINNAL. AGA KUI SEE JUHTUB NÕLVAL, VÕIB TRAKTOR PÄRAST SEISUPIDURI PEDAALI VABASTAMIST NÕLVALT ALLA LIBISEDA.

⚠ HOIATUS. TÕMMAKE SEISUPIDURI LUKUSTUSHOOB ÜLES JA VAJUTAGE VIIVITAMATULT SEISUPIDURI PEDAALI, ET SEE HÄDAOLUKORRAS SEISUPIDURI ASENDISSE LUKUSTADA: TRAKTOR PEATUB KOHE EGA LIBISE NÕLVALT ALLA.

AKUPLOKI PAIGALDAMINE/EEMALDAMINE (Joonised E3 – E6)

Selle traktori käivitamiseks on vaja EGO akusid kogumahtuvusega vähemalt 15 Ah (2 X BA4200/BA4200T) või rohkem. Parima jõudluse tagamiseks soovitame kasutada EGO akusid, mille kogumahtuvus on vähemalt 30 Ah või rohkem.

E3-1	Katte vabastamise nupp	E5-1	Akuvabastusnupp
------	------------------------	------	-----------------

TRAKTORI LAADIMINE

Kasutage ainult soovitatud akuplokke ja laadijaid.

- Laadige akuplokk (akuplokid) eraldi (joonis E7).
MÄRKUS! Üksikasjalikud juhised leiata vastavate akude ja laadijate kasutusjuhenditest.
- Laadige akuplokk (akuplokid) laadimispori kaudu (joonis E8 – E10).

E10-1	Tolmukate	E10-2	Laadimisport
-------	-----------	-------	--------------

KONTROLLIGE TURVABLOKEERIMISSÜSTEEMI

- Tekk-klapi süsteemi katsetamine (joonised E11 – E12)
- Sõidusüsteemi katsetamine (joonised E13 – E14)

Kui aluse terade süsteem ja/või juhtimissüsteem ei peatu, kui juht istmelt lahkub ja kui pärast istme pistiku- ja pistikupesauhenduse kontrollimist ei ole põhjust võimalik kindlaks teha, võtke kohe ühendust EGO klienditeeninduskeskusega.

SIDETEHNOLOOGIA

Et saada teavet või tutvuda kogu meie ühendatud toodete ja teenuste valikuga (sealhulgas ühendamisjuhistega), skannige allpool olev QR-kood või külastage veebilehte www.egopowerplus.eu/connect.



KONTROLLNIMEKIRI ENNE KASUTAMIST

- Tagage, et tööalas poleks lapsi, kõrvalisi isikuid ega lemmikloomi.
- Puhastage tööala esemetest, mida traktori terad võivad üles visata.
- Puhastage traktor prahist.
- Kontrollige lahtiseid kinnitusi.
- Kontrollige, et kõik kaitsmed oleksid paigas ja töötaksid korralikult.
- Kontrollige visuaalselt, kas rehvid on täis pumbatud.
- Kontrollige piduri tööd.
- Reguleerige lõikekorpuse kõrgus kõige sobivasse lõikeasendisse ja reguleerige vastavalt sellele kalipsuvastased rattad.
- Reguleerige istme asendit ja veenduge, et mõlemad pedaalid on ligipääsetavad.
- Kontrollige aku laetuse taset.
- Testi turvablokeerimissüsteemi.
- Veenduge, et murukott on korralikult paigaldatud.

TRAKTORI KÄIVITAMINE (Joonised E15 – E16)

⚠ HOIATUS. Vältige äkilisi käivitusi, peatusi ja pööreid, samuti liigset kiirust, eriti kui te alles õpite traktorit kasutama. Traktor võib kiiresti pöörlema hakata, mille tõttu võib kontroll traktori üle kaduda ning kasutaja saada raskeid vigastusi ja/või kahju.

⚠ HOIATUS. Enne traktori käivitamist kontrollige ja veenduge, et jõuvõtuvõlli lülitiit alla vajutades on terad 5 sekundiga välja lülitatud. Kui terad ei peatu, ärge traktorit kasutage ja võtke kohe ühendust EGO klienditeenindusega.

MÄRKUS.

- Kui seisupiduri pedaal on seatud seisupiduri asendisse, tuleb LCD-ekraani valgustamiseks vajutada ainult 3 sekundit start/stopp-nuppu ja seejärel vabastada seisupiduri pedaal enne traktoriga sõitma hakkamist.
- Lõiketerad saab käivitada igal ajal, kui LCD-ekraan on täielikult valgustatud ja suuna juhtimise hoob ei ole R-suunas tagasi tõmmatud. Terade sisselülitamiseks traktoriga tagurpidi sõites vaadake käesolevas juhendis jaotist „TERADE PÖÖRAMINE TAGURPIDI SÕITMISEL”.

MÄRKUS. Järgige joonist E17, et saada madalaim sõidukiirus, kuni olete täielikult võimeline traktorit igas olukorras juhtima.

Elektriline murutraktor ei jäta meelde sõidukiirust ega tera kiiruse seadeid. Sõidukiirus ja tera kiirus naasevad tasemele 2 iga kord, kui traktor välja lülitatakse.

Sõidukiiruse reguleerimine (joonis E17)

Terakiiruse reguleerimine (joonis E18)

MÄRKUS. Kui seadistatud on „Tase 3”, vajutage uuesti tera kiiruse reguleerimise nuppu ja tera kiirus jätkab eelmist kiirust.

LED-tuled (joonis E19)

- LED-esitulesid saab lülitada sisse ja välja LED-valguslüli abil.

USB-port

MÄRKUS. USB-port tagab 5-voldise alalisvoolu laadimisvõimsuse kuni 1,5-amprisel kombineeritud voolutugevusel ja saab toidet ainult traktori käivitamisel

TRAKTORI PEATAMINE (Joonis E20)

⚠ HOIATUS. Seadke alati seisupiduri pedaal seisupiduri asendisse, kui traktor lõpetab sõidu nõlval, vastasel juhul võib traktor libistada nõlvast alla, mis võib põhjustada tõsiseid traktorikahjustusi või vigastusi!

MÄRKUS. Olukorras, kus seisupiduri pedaal on seatud seisupiduri asendisse ja juht ei ole istmel, kuid akuplokke ei ole eemaldatud:

- Juhul, kui LCD-ekraan on välja lülitatud, jäävad aku indikaatorid, start/stopp-nupp ja CCS-nupp põlema 1 tunni vältel.
- Juhul, kui LCD-ekraanil on „kütusemõõdik” või operaatori liides, lülitub traktor automaatselt välja 1 tunni pärast.

Avariirežiim

Kui aku laetuse tase muutub kriitiliselt madalaks, lülitub traktor avariirežiimi, et säilitada piisavalt energiat ja jõuda tagasi laadimisalale.

- Terad lülituvad madalale pöörlemiskiirusele, mis võimaldab lõigata väga vähe muru. Kõrge ja tiheda rohu korral terad seiskuvad. Heli indikaator kostub (piiks) vahelduvalt.
- Traktori oleku indikaator vilgub iga sekundi järel punaselt, vilguvad nii hoiatusikoon (väikese võimsusega) kui ka iga kasutusel akusahtli ikoon.

Kasutaja peaks tegema järgmist.

- Vajutage PTO lüliti alla, et teramootorid välja lülitada. Heliindikaator lõpetab heli, kui teramootorid seiskuvad.
- Lõpetage töö ja minge võimalikult kiiresti laadimisalale. Maksimaalne vahemaa, mida traktor suudab läbida, on 1000 m.

Kui aku on peaaegu tühi, vilguvad iga poole sekundi järel nii hoiatusikoon (väikese võimsusega) kui ka iga kasutusel oleva akusahtli ikoon. Traktor lõpetab kohe töötamise. Operaator peab traktori laadimiseks laadimisalale transportima.

MÄRKUS. Kui traktorit on vaja käsitsi lükata, veenduge et akud oleksid traktorist lahti ühendatud ja seisupiduri pedaal on pidurdusasendist vabastatud.

TRAKTORI JUHTIMINE (Joonis E21)

⚠ OHT! Hoidke vähemalt kahe niitmislaiuse ulatust kraavidest, langustest või veest. Esirattad võivad traktori peatamisel pöörlema hakata ka siis, kui on pidurit vajutatud, ja põhjustada traktori üle serva või vette kukkumise, mille tagajärg võib olla surm või tõsised kehavigastused.

⚠ HOIATUS. Ärge kasutage traktorit avalikel sõiduteedel.

⚠ HOIATUS. Kui niiduk takerdub või sõidab otsa võõrkehale, peatage mootorid ja eemaldage akud. Eemaldage niidetud muru, lehed, muld ja muu kogunenud praht; kontrollige traktorit põhjalikult kahjustuste suhtes ja parandage kahjustused enne traktori taaskäivitamist ja kasutamist.

MÄRKUS.

- Sõidu ajal lülitub traktori oleku indikaator välja, kui istmelt lahkute. Sõidurežiimi taaskäivitamisel istuge istmele tagasi ja vajutage seisupiduri pedaal täielikult alla, et traktori oleku indikaator põleks roheliselt.
- Sõidu ajal ettepoole ja tagurpidi liikumise suuna vahetamisel liigutage juhtkangi otse ühest otsast teise ilma neutraalasendis peatumata, vastasel juhul võib traktor liikumise peatada.


PÜSIKIIRUSE HOIDJA (CCS) KASUTAMINE



Püsikiiruse hoidja (CCS) aktiveerimine (joonis E22)

MÄRKUS. LCD-ekraanil näidatud sõidukiiruse tase ei pruugi täpselt kajastada traktori tegelikku sõidukiirust püsikiirushoidikus. Vajutage kiiruse reguleerimise nuppu, et „värskendada” sõidukiiruse taset LCD-ekraanil.

Püsikiiruse hoidja (CCS) peatamiseks (režiimist väljumiseks) võite valida ühe kolmest viisist.

- Vajutage gaasipedaali täielikult alla ja hoidke seda all. CCS-funktsioon peatub ja traktor jätkab sõitu.
- Vajutage gaasipedaali kergelt alla ja seejärel vabastage see. Traktor ja CCS-funktsioon peatuvad.
- Vajutage CCS-nuppu. Traktor ja CCS-funktsioon peatuvad.

MÄRKUS. Kui CCS on peatatud, kaob ikoon „“ LCD ekraanilt ja kuulete kaks korda helisignaali.

MÄRKUS. Kui seisupiduri pedaal on alla vajutatud, siis traktor peatub, kuid LCD-ekraanil vilgub ikoon „“, mis näitab, et CCS on ooterežiimis. Sellisel juhul vabastage seisupiduri pedaal, vajutage CCS nuppu. Traktor jätkab sõidu automaatselt ja „“ ikoon lõpetab vilkumise.

TERADE PÖÖRAMINE TAGURPIDI SÕITMISE AJAL

MÄRKUS. Niitmine tagurpidi suunas ei ole soovitatav.


⚠ HOIATUS. Olge tagurpidi suunas niitmisel äärmiselt ettevaatlik. Tagurpidi niites veenduge alati, et tööpiirkonnas ei ole ühtegi inimest, eriti väikeseid lapsi.

⚠ HOIATUS. Murukoti komplektiga traktori käitamisel võib operaatorite nähtavus halveneda. Enne niitmist ja tagurpidi niitmise ajal tuleb alati äärmiselt ettevaatlik olla ning olla teadlik ümbruses toimuvast.



TAGURPIDI NIITMISE aktiveerimine (režiimi sisenemine) (joonis E23)

Et TAGURPIDI NIITMISE funktsioon välja lülitada, võite valida ühe järgmisest neljast viisist.

- Vajutage üks kord TAGURPIDI NIITMISE nuppu.
- Tõstke ennast traktori istmelt püsti.
- LCD-ekraani väljalülitamiseks vajutage 3 sekundit start/stopp-nuppu.
- Traktori seiskamiseks eemaldage turvavõti või eemaldage aku(d).

MÄRKUS. Kui TAGURPIDI NIITMINE on peatatud, süttib LCD-ekraanil ikoon „“.

MURUKOTI TÜHJENDAMINE (Joonis E24)

MÄRKUS. Kui LCD-ekraanil vilgub ikoon „“, on rohkott täis. Pärast koti tühjendamist kaob LCD-ekraanilt ikoon „“.

ET

MÄRKUS. Rohkott tuleb traktorile korralikult paigaldada, vastasel juhul saab traktorit juhtida, kuid tera mootoreid ei saa sisse lülitada.

HOOLDUS

⚠ HOIATUS. Kandke alati küljekaitsega turvaprille. Vastasel korral võib teile midagi silma paiskuda ja võite saada raskeid vigastusi.

⚠ HOIATUS. Kaitske alati oma käsi, kasutades traktori terade hooldamisel tugevaid töökindaid või kattes teravad ääred rätikute või muu kattega. Traktori hooldamise ja transportimise ajaks eemaldage alati turvavõti ja akuplokid.

SOOVITATUD HOOLDUSGRAAFIK(UD)

Hooldusvälp	Hooldustööd
Enne iga kasutust või iga päev	<ul style="list-style-type: none"> ▪ Kontrollige turvablokeerimissüsteemi. ▪ Kontrollige visuaalselt, kas rehvid on täis pumbatud. ▪ Kontrollige terasid. ▪ Enne iga kasutuskorda kontrollige tervet seadet, et ei esineks kahjustunud, puuduvaid või lahtisi osi, nt külgmise väljutusrenn, kruvid, mutrid, poldid, korgid vms. ▪ Kontrollige ja veenduge, et gaasipedaali saaks korralikult alla vajutada ja vabastada. ▪ Kontrollige rooliklippi. Rooli tuleks pöörata teatud vastupanuga.
Pärast iga kasutuskorda	<ul style="list-style-type: none"> ▪ Puhastage traktor ja peske alus.
Iga 25 h tagant	<ul style="list-style-type: none"> ▪ Kontrollige rehvirõhku.
Iga 100 h tagant	<ul style="list-style-type: none"> ▪ Kontrollige tagarattaid ja veenduge, et kõik mutrid oleksid kinnitatud soovitatud pöördemomendiga (101-103 Nm). ▪ Kontrollige tagarattaid ja veenduge, et mutrid oleksid kinnitatud soovitatud pöördemomendiga (90–92 Nm).
Iga 200 h tagant	<ul style="list-style-type: none"> ▪ Kontrollige esirattaid ja veenduge, et need vabalt pöörleksid.
Iga poole aasta tagant	<ul style="list-style-type: none"> ▪ Kontrollige seisupiduri pedaali. Eemaldage traktorist aku, seejärel tõmmake seisupiduri lukustushoob üles ja vajutage seisupiduri seadmiseks seisupiduri pedaali. Lükake traktorit käsitsi ettepoole, et näha, kas traktorit saab liigutada ilma tagarataste pöörlemiseta. Kui traktor liigub ja tagarattad samal ajal pöörlevad, võtke remondi asjus ühendust EGO klienditeeninduskeskusega.
Enne ladustamist	<ul style="list-style-type: none"> ▪ Eemaldage traktorist akud. ▪ Eemaldage traktorist turvavõti. ▪ Tehke kõik eespool loetletud hooldustoimingud ja puhastage traktor põhjalikult. ▪ Kontrollige kogu toodet kahjustatud, puudevate või lahtiste osade suhtes, asendage või pingutage vastavad osad enne ladustamist.
Igal aastal	<ul style="list-style-type: none"> ▪ Määrige esirattaste võllide kaitsehültsid.

ÜLDHOOLDUS

Muru tühjendamine (joonised F1 – F3)

Traktori korpuse puhastamine (joonis F4)

Kasutage pesuava traktori aluse puhastamiseks (joonised F5 – F6)

F5-1	Pesuava	F5-2	Pesuava kiirühendus
F5-3	Aiavoolik		

MÄRKUS. Puhastamise lõpetamisel lülitage traktor täielikult välja ja eemaldage seejärel aiavoolik ja kiirliitmik.

TRAKTORI ALUSE JA LÖIKETERADE HOOLDUS

Ettevalmistus (joonis G1)

Niiduki aluse eemaldamine (joonised G2 – G3)

G2-1	Mootori kaabel	G2-2	Varrasnõel
G2-3	Vedrustushoovastik		

Lõiketerade vahetamine (joonised G4 – G6)

G4-1	Stabiilisaator	G5-1	Polt
G5-2	Seib	G5-3	Tera
G5-4	Äärik	G5-5	Mootorivõll

Aluse loodimine

- a. Millal loodida (joonis G7 / joonis G8 / joonis G9)
- b. Enne loodimist
 - Külma rehvirõhu kontrollimine (joonis G10)
 - Kontrollige lõiketerasid. Vajadusel eemaldage ja asendage kulunud, purunenud ja/või paindunud terad.
- c. Ettevalmistus tasandamiseks (joonis G11)
- d. Kuidas loodida
 - Küljelt küljele reguleerimine (joonis G12)
 - Eest taha reguleerimine (joonis G13)

LADUSTAMINE JA TRANSPORT

TRAKTORI TRANSPORTIMINE (Joonis H1 – H5)

H2-1	Rambid	H2-2	Rihmad
------	--------	------	--------

MÄRKUS! Kinnitage traktor vastavalt vajadusele, kasutades rihmasid või kaableid, et vältida selle transpordi ajal liikuma hakkamist.

HOIUSTAMINE (Joonised I1 – I2)

MÄRKUS. Uurige akuplokkide eemaldamise ja akude hoiustamise kohta vastavatest juhenditest.

Puhastage ja kontrollige traktorit enne hoiustamist, vaadake jaotisi „ÜLDHOOLDUS” ja „SOOVITATUD HOOLDUSGRAAFIK(UD)”.

Keskkonnakaitse




Elektri- ja elektroonikaseadmetest tekkinud jäätmete direktiiv (WEEE). Ärge visake elektriseadmeid, kasutatud akut ega laadijat olmeprügi hulka! Viige toode volitatud taaskäitleja juurde ja võimaldage selle komponendid sorteerituna kõrvaldada. Elektritööriistad tuleb viia keskkonnakaitsenõudeid järgivasse jäätmekäitluskeskusesse.

TÖRKEOTSING

PROBLEEM	PÕHJUS	LAHENDUS
Elektriline murutraktor ei sõida, kui gaasipedaal on alla vajutatud.	<ul style="list-style-type: none"> Sisestatud akude kombineeritud Ah ei vasta nõudele. 	<ul style="list-style-type: none"> Selle traktori käivitamiseks kasutage piisavalt EGO akusid, järgides juhiseid selle kasutusjuhendi jaotises „AKU KINNITAMINE/EEMALDAMINE“.
	<ul style="list-style-type: none"> Seisupiduri pedaal on seatud pidurdusasendisse. 	<ul style="list-style-type: none"> Vajutage seisupiduri pedaal täielikult alla, et see pidurdusasendist vabastada.
	<ul style="list-style-type: none"> Traktori oleku indikaator ei põle roheliselt. 	<ul style="list-style-type: none"> Vajutage seisupiduri pedaal alla ja vabastage see. Traktori oleku indikaator süttib roheliselt, mis tähendab, et traktor on käivitamiseks valmis.
	<ul style="list-style-type: none"> Kasutaja ei istu istmel. 	<ul style="list-style-type: none"> Traktorit saab kasutada ainult siis, kui juht istub korralikult istmel.
	<ul style="list-style-type: none"> Istme turvalisuse blokeerimissüsteem ei ole korralikult ühendatud. 	<ul style="list-style-type: none"> Eemaldage akud traktorist ja tõstke istme tagakülj üles, veendumaks et kaabli pistik on korralikult ühendatud istme põhja pistikupesaga (vt peatükk „ISTME PAIGALDAMINE“). Järgige jaotises „TRAKTORI KÄIVITAMINE“ toodud juhiseid, et traktorit taaskäivitada, et näha, kas traktorit saab käivitada. Muudel juhtudel võtke paranduste asjus ühendust EGO klienditeenindusega.
	<ul style="list-style-type: none"> Äärmiselt külma ilmaga ei tarvitse sõidufunktsioon madala temperatuuri kaitse tõttu käivitada. 	<ul style="list-style-type: none"> Hoidke traktorit ja akusid alati soojas keskkonnas. Taaskäivitage traktor, kui see on soojendatud. Ärge tehke korduvaid käivitamiskatseid äärmiselt külma ilmaga, mis võib niidukit kahjustada.
	<ul style="list-style-type: none"> Gaasipedaali liikumistee on ummistunud prügiga. 	<ul style="list-style-type: none"> Kontrollige ja eemaldage praht.
	<ul style="list-style-type: none"> Gaasipedaali mehaaniliste või elektrooniliste komponentide rike. 	<ul style="list-style-type: none"> Remontimiseks võtke ühendust EGO klienditeenindusega.
	<ul style="list-style-type: none"> Suuna juhtimise hoob asetatakse neutraalasendisse. 	<ul style="list-style-type: none"> Lükake suuna juhtimise hoob „D“ või „R“ suunas.
Elektriline murutraktor lõpetab sõitmise.	<ul style="list-style-type: none"> Sõidu ajal ettepoole ja tagurpidi suunale jääb suuna juhtimishoob pikaks ajaks neutraalasendisse. 	<ul style="list-style-type: none"> Vabastage gaasipedaal ja seejärel vajutage see uuesti alla.
	<ul style="list-style-type: none"> Gaasipedaali elektrooniliste komponentide rike. 	<ul style="list-style-type: none"> Remontimiseks võtke ühendust EGO klienditeenindusega.
	<ul style="list-style-type: none"> Istme turvalukusüsteem katkes ebatasasel maastikul sõites. 	<ul style="list-style-type: none"> Eemaldage akud traktorist ja tõstke istme tagakülj üles, veendumaks et kaabli pistik on korralikult ühendatud istme põhja pistikupesaga (vt peatükk „ISTME PAIGALDAMINE“). Järgige jaotises „TRAKTORI KÄIVITAMINE“ toodud juhiseid, et traktorit taaskäivitada, et näha, kas traktorit saab käivitada. Vastasel juhul võtke paranduste asjus ühendust EGO klienditeenindusega.
	<ul style="list-style-type: none"> Operaatori kaal ei ole istmel ühtlaselt jaotunud. Istme ohutusblokeerimissüsteemi nõuetekohaseks toimimiseks peab istme kasutaja kaal olema vähemalt 20 kg. 	<ol style="list-style-type: none"> Istuge istmel korralikult, vajutage seisupiduri pedaal täielikult alla ja vabastage see, seejärel on traktor sõiduks valmis. Vajaduse korral ühendage akud lahti ja kinnitage see uuesti.
	<ul style="list-style-type: none"> Seisupiduripedaal on piisavalt alla vajutatud, kuid mitte parkimisasendisse lukustatud, ja traktor jääb seisma. 	<ul style="list-style-type: none"> Niiduki õigeks puhastamiseks järgige juhiseid jaotises „TRAKTORI KÄIVITAMINE“.

ET

PROBLEEM	PÕHJUS	LAHENDUS
Elektrilise murutraktori terad ei käivitu, kui jõuvõtuvõlli lüliti on aktiveeritud.  Jõuvõtuvõlli lüliti ikoon vilgub.	<ul style="list-style-type: none"> Sisestatud akude kombineeritud Ah ei vasta nõudele. 	<ul style="list-style-type: none"> Selle traktori käivitamiseks kasutage piisavalt EGO akusid, järgides juhiseid selle kasutusjuhendi jaotises „AKU KINNITAMINE/EEMALDAMINE“.
	<ul style="list-style-type: none"> Jõuvõtuvõlli lüliti ei olnud viimasel korral traktori väljalülitamisel alla vajutatud. 	<ul style="list-style-type: none"> Teramootorite taaskäivitamiseks vajutage PTO-lüliti alla ja seejärel üles.
	<ul style="list-style-type: none"> Traktor on ülekoormatud hetkel, mil terad hakkavad pöörlema, mis käivitab terade mootori enesekaitse. 	<ul style="list-style-type: none"> Alustage muru niitmist kõigepealt madalama löikekiirusega ja kuni terade pöörlema hakkamisele lisage kiirust vastavalt vajadusele.
	<ul style="list-style-type: none"> Äärmiselt külma ilmaga ei tarvitse tera mootori käivitamine madala temperatuuri kaitse tõttu õnnestuda. 	<ul style="list-style-type: none"> Hoidke traktorit ja akusid alati soojas keskkonnas. Taaskäivitage traktor, kui see on soojendatud. Ärge tehke korduvaid käivitamiskatseid äärmiselt külma ilmaga, mis võib niidukit kahjustada.
	<ul style="list-style-type: none"> Tera takistab deformeerunud traktori alust. 	<ul style="list-style-type: none"> Remontimiseks võtke ühendust EGO klienditeenindusega.
	<ul style="list-style-type: none"> Rohukott ei ole korralikult paigaldatud. 	<ul style="list-style-type: none"> Paigaldage rohukott korralikult, järgides juhendis olevat jaotist „MURUKOTI PAIGALDAMINE“.
Terad lakkavad muru niitmise ajal pöörlemast.	<ul style="list-style-type: none"> Traktor on ülekoormatud. 	<ul style="list-style-type: none"> Traktori koormuse vähendamiseks suurendage aluse löikekõrgust ja vähendage terakiirust.
	<ul style="list-style-type: none"> Murutraktori alla on kogunenud liiga palju muru ja prahti. 	<ul style="list-style-type: none"> Puhastage alus ja veenduge, et terad saaksid vabalt liikuda.
	<ul style="list-style-type: none"> Traktor on ülekuumenenud. 	<ul style="list-style-type: none"> Vähendage traktori koormust, tõstes niiduki aluse löikekõrgust või aeglustades tera- / sõidukiirust ja laske traktoril maha jahtuda.
	<ul style="list-style-type: none"> Traktori akupesas olev(ad) akuplokk (-plokid) on ülekuumenenud, mille tulemusel kõigi sisestatud akude Ah ei vasta nõudele. 	<ol style="list-style-type: none"> Traktor võib tööd jätkata, kui kombineeritud aku, välja arvatud ülekuumenenud aku Ah mahtuvus vastab nõudele. Kui ülekuumenenud aku saavutab normaalse temperatuuri, lülitab see traktori kohe sisse. Kui kombineeritud aku Ah ei vasta nõudele, ei tööta traktor enne, kui tühjadesse akupesadesse lisatakse veel akuplokke. Vähendage traktori koormust, tõstes traktori aluse löikekõrgust või vähendades sõidukiirust, kui te tööd jätkate.
	<ul style="list-style-type: none"> Traktor on avariirežiimis. 	<ul style="list-style-type: none"> Kui traktor on avariirežiimis, lülitatakse terad automaatselt madalale pöörlemiskiirusele ilma muru niitmise. Kasutage peaks tööd lõpetama ja suunduma aku laadimispiirkonda niipea kui võimalik.
	<ul style="list-style-type: none"> Traktor sõidab otsa võõrkehale, mis põhjustab mootori enesekaitse. 	<ul style="list-style-type: none"> Teramootorite taaskäivitamiseks vajutage PTO-lüliti alla ja seejärel üles.
	<ul style="list-style-type: none"> Traktor liigub tagurpidi, kui ikoon TAGURPIDI NIITMINE VÄLJAS on LCD-ekraanil sisse lülitatud. 	<ul style="list-style-type: none"> Vajutage jõuvõtuvõlli lüliti alla ja taaskäivitage tera mootorid, järgides juhiseid, mis on toodud jaotises „TAGURPIDI NIITMISE AKTIVEERIMINE (REŽIIMI SISENEMINE)“.

PROBLEEM	PÕHJUS	LAHENDUS
Heli indikaator jääb kõlama.	<ul style="list-style-type: none"> Traktor on avariirežiimis ja terad pole välja lülitatud. 	<ul style="list-style-type: none"> Teramootorite väljalülitamiseks vajutage PTO-lülitit alla. Helinäidik lakkab helisema, kui labamootorid on välja lülitatud.
	<ul style="list-style-type: none"> Traktor lõpetab kallakul töötamise, kui juht on istmelt lahkunud, seisupiduripedaali pidurdusasendisse seadmata. 	<ul style="list-style-type: none"> Enne traktori jätmist nõlvale seadke seisupiduri pedaal seisupiduri asendisse.
Akuplokkide toiteindikaatorid põlevad endiselt, kui traktor on välja lülitatud.	<ul style="list-style-type: none"> Kui traktor on välja lülitatud tasasel pinnal ilma akuplokke traktorist eemaldamata, jäävad toiteindikaatorid teatud ajavahemikuks põlema. 	<ul style="list-style-type: none"> Midagi pole vaja ette võtta. Aku indikaatorid kustuvad, kui traktor mõne aja pärast välja lülitub. Vaadake kindlat aega jaotisest „TRAKTORI PEATAMINE“.
	<ul style="list-style-type: none"> Kui traktor on nõlval välja lülitatud ilma seisupidurit rakendamata, jäävad akuplokkide toiteindikaatorid sisse, kuni aku on tühi. Heli indikaator jääb samal ajal kõlama. 	<ul style="list-style-type: none"> Enne traktorist jätmist nõlvale seadke seisupiduri pedaal seisupiduri asendisse. Vastasel juhul võib traktor libiseda nõlvast alla.
LCD-ekraan ei valgustu, kui kõik ikoonid sees on.	<ul style="list-style-type: none"> Start/stopp-nupu vajutamise aeg ei ole piisav. 	<ol style="list-style-type: none"> LCD-ekraanil kuvatakse „Kütusenäidik“ ainult siis, kui sisse-väljalülitusnuppu korraks vajutada. LCD-ekraan lülitub sisse pärast seisupiduri pedaali ja start/stopp-nupu täielikku allavajutamist korraga piisavalt aega.
	<ul style="list-style-type: none"> Kui LCD-ekraanil vilgub turvavõtme ikoon „“, ei ole turvavõtit sisestatud. 	<ul style="list-style-type: none"> Sisestage turvavõti, vajutage seisupiduri pedaal täielikult alla ja vajutage LCD-ekraani sisselülitamiseks piisavalt aega start/stopp-nuppu.
	<ul style="list-style-type: none"> Kui seisupiduri ikoon „“ vilgub LCD-ekraanil, ei ole seisupiduri pedaal täielikult alla vajutatud. 	<ul style="list-style-type: none"> Sisestage turvavõti, vajutage seisupiduri pedaal täielikult alla ja vajutage LCD-ekraani sisselülitamiseks piisavalt aega start/stopp-nuppu.
Traktor löikab ebaühtlaselt, ees ja taga on märkimisväärne kõrguste erinevus.	<ul style="list-style-type: none"> Terad on nürid 	<ul style="list-style-type: none"> Teritage või vahetage lõiketeri vastavalt selle kasutusjuhendi juhistele.
	<ul style="list-style-type: none"> Terad on paindunud. 	<ul style="list-style-type: none"> Vahetage paindunud lõiketera välja, järgides juhiseid jaotises „Lõiketerade vahetamine“.
	<ul style="list-style-type: none"> Traktori alus ei ole looditud, mille tagajärjel lõiketera kõrgus erineb. 	<ul style="list-style-type: none"> Loodige alus, järgides juhiseid peatükis „Aluse loodimine“.
Muru tegelik niitmiskõrgus ei vasta väidetavale kõrgusele.	<ul style="list-style-type: none"> Aluse mutrid on vedrustushoovastikul lahti tulnud. 	<ul style="list-style-type: none"> Järgige juhiseid jaotises „Traktori loodimine“, et traktorit õigesti eest-taha reguleerida ja pingutage kindlalt kinni vedrustushoovastiku mutrid.
	<ul style="list-style-type: none"> Alus on kahjustatud või väga kulunud. 	<ul style="list-style-type: none"> Järgige juhiseid jaotises „Aluse eemaldamine“, et traktori alus välja vahetada.
Traktor ei multši korralikult.	<ul style="list-style-type: none"> Märja muru tükid jäävad muruniiduki aluse külge kinni. 	<ul style="list-style-type: none"> Enne niitmist oodake, et muru kuivaks.
	<ul style="list-style-type: none"> Traktor on seadistatud nii, et korraga lõigatakse liiga palju muru. 	<ul style="list-style-type: none"> Suurendage aluse lõikekõrgust.

PROBLEEM	PÕHJUS	LAHENDUS
Liigne vibratsioon.	<ul style="list-style-type: none"> ▪ Lõiketerad on lahti tulnud. 	<ul style="list-style-type: none"> ▪ Pingutage terapolti soovitusliku pöördemomendini.
	<ul style="list-style-type: none"> ▪ Terad on paindunud. 	<ul style="list-style-type: none"> ▪ Vahetage paindunud lõiketera välja, järgides juhiseid jaotises „Lõiketerade vahetamine“.
	<ul style="list-style-type: none"> ▪ Alus ei ole looditud. 	<ul style="list-style-type: none"> ▪ Loodige traktori alus, järgides juhiseid peatükis „Aluse loodimine“.
	<ul style="list-style-type: none"> ▪ Aluse mutrid on vedrustushoovastikul lahti tulnud. 	<ul style="list-style-type: none"> ▪ Pingutage vedrustuse ühenduskoha mutreid.
	<ul style="list-style-type: none"> ▪ Alus on seadistatud nii, et korraga lõigatakse liiga palju muru. 	<ul style="list-style-type: none"> ▪ Suurendage aluse lõikekõrgust.
Pärast niitmist on maapinnale jäänud niidetud muru või prahti.	<ul style="list-style-type: none"> ▪ Traktor on seadistatud selliselt, et pika muru puhul lõigatakse korraga liiga palju muru. 	<ul style="list-style-type: none"> ▪ Alustage suure lõikekõrgusega ja vähendage seda, kuni saavutate soovitud niitmistulemuse. Üle 152 mm kõrgust muru tuleks niita kaks korda, järjest madalamatel lõikekõrgustel.
	<ul style="list-style-type: none"> ▪ Muru on märg. 	<ul style="list-style-type: none"> ▪ Ärge niitke, kui rohi on märg. Oodake, kuni rohi kuivab.
	<ul style="list-style-type: none"> ▪ Sõidukiirus on suur. 	<ul style="list-style-type: none"> ▪ Vähendage sõidukiirust.
	<ul style="list-style-type: none"> ▪ Terakiirus 	<ul style="list-style-type: none"> ▪ Suurendage tera kiirust järk-järgult.
Traktori lühike tööaeg koos kaasasolevate akudega.	<ul style="list-style-type: none"> ▪ Muruga kaetud maastik, muru olek, lõikekõrguse seadistus, sõidukiirus, tera kiirus jne mõjutavad oluliselt tööaega. 	<ul style="list-style-type: none"> ▪ Lõikekoormuse vähendamiseks suurendage aluse lõikekõrgust ja vähendage terakiirust.
Traktor ei sõida otse.	<ul style="list-style-type: none"> ▪ Vasaku ja parema ratta rehvirõhk erinevad. 	<ul style="list-style-type: none"> ▪ Kontrollige ja reguleerige mõlema esiratta rehvi õhurõhku vastavalt käesolevas juhendis toodud jaotises „SPETSIFIKATSIOONID“ esitatud soovitusel.
Seisupiduri pedaali ei saa pidurdusasendist vabastada või see vabaneb aeglaselt.	<ul style="list-style-type: none"> ▪ Gaasipedaali liikumistee on ummistunud prahiga. 	<ul style="list-style-type: none"> ▪ Kontrollige ja eemaldage praht.
Traktorit ei saa laadida laadimisporti kaudu, kui traktori oleku märgutuli põleb pidevalt punaselt.	<ul style="list-style-type: none"> ▪ Laadija pistik pole traktori laadimisporti õigesti sisestatud. 	<ul style="list-style-type: none"> ▪ Ühendage laadija pistik uuesti, et näha, kas traktorit saab normaalselt laadida.
	<ul style="list-style-type: none"> ▪ Seinakontaktides pole voolu. 	<ul style="list-style-type: none"> ▪ Midagi pole vaja ette võtta. Oodake, kuni toide taastub.
	<ul style="list-style-type: none"> ▪ Laadija talitlushäire. 	<ul style="list-style-type: none"> ▪ Palun võtke ühendust EGO klienditeeninduskeskusega ja lubage laadijat vajadusel kvalifitseeritud hooldustehniku poolt kontrollida ja/või parandada.
	<ul style="list-style-type: none"> ▪ Traktori laadimisport on vigane. 	<ul style="list-style-type: none"> ▪ Paranduste asjus võtke ühendust EGO klienditeenindusega.
Laadimisaeg traktori laadimisporti kaudu on liiga pikk.	<ul style="list-style-type: none"> ▪ EGO adapteriga ACA1000 laadimine kestab pikka aega. 	<ul style="list-style-type: none"> ▪ Kasutage EGO laadijat CHV1600E elektrilise murutraktori otse laadimiseks.
Akusid ei saa traktori laadimisporti kaudu täielikult laadida.	<ul style="list-style-type: none"> ▪ Niiduki püsivara viga, aku või laadija rike. 	<ul style="list-style-type: none"> ▪ Lähestage laadija, tõmmates laadija lahti ja oodates mõni minut. Seejärel ühendage pistik uuesti vooluvõrku. Kui see ei lahenda probleemi, helistage EGO klienditeeninduskeskusesse.
Traktorit ei saa pärast puhastamist käivitada.	<ul style="list-style-type: none"> ▪ Vale puhastamine, näiteks vesi elektrikomponentidel, LCD-ekraanil jms. 	<ol style="list-style-type: none"> 1. Traktori õigeks puhastamiseks järgige juhiseid jaotises „ÜLDHOOLDUS“. 2. Kui traktor jääb kogemata vihma kätte, jätke see kuivama või kasutage selle kuivatamiseks suruõhku.
Alus ummistub kiiresti.	<ul style="list-style-type: none"> ▪ Alus ei olnud pärast eelmist kasutamist korralikult puhastatud. 	<ul style="list-style-type: none"> ▪ Puhastage traktorit pärast iga kasutuskorda, järgides jaotist „Pesuava kasutamine aluse puhastamiseks“.

PROBLEEM	PÕHJUS	LAHENDUS
Kallakul ülespoole liikudes kaotab traktor kergesti veojõudu.	<ul style="list-style-type: none"> ■ Tagarataste rehvid on kulunud. ■ Niitmine järsul nõlval. 	<ul style="list-style-type: none"> ■ Rattarehvide vahetamiseks minge kohalikku teenindusse. ■ Traktoriga ei tohiks niita järsemaid kui ettenähtud nõlvu.
Kui traktor peatatakse nõlval seisupiduri pedaalile vajutamisega, võib traktor nõlvalt alla veereda.	<ul style="list-style-type: none"> ■ Piduri osad on traktori vale kasutamise tõttu väga kulunud. 	<ul style="list-style-type: none"> ■ Remontimiseks võtke ühendust EGO klienditeenindusega.
Teki pesemisel ei tule pesupesast vett.	<ul style="list-style-type: none"> ■ Pesupordi kiirliitmik ei ole pesupordi külge korralikult paigaldatud. 	<ul style="list-style-type: none"> ■ Paigaldage pesuava kiirühendus tagasi, kuni tugeval surumisel kuulete selget klõpsatust. Kui see ei tööta, võtke ühendust EGO klienditeenindusega.
Traktorit käsitsi lükates, ilma seda käivitamata, on kuulda ebanormaalselt heli.	<ul style="list-style-type: none"> ■ Ajamimootori sees olevatest magnetitest tuleb heli. 	<ul style="list-style-type: none"> ■ See on normaalne ja midagi pole vaja ette võtta.
Rooli ei saa pöörata.	<ul style="list-style-type: none"> ■ Roolirattakomplekt on ummistunud prahiga. 	<ul style="list-style-type: none"> ■ Kontrollige ja eemaldage prahit.
Traktor ei pöördu vasakule/ paremale, kui rooliratast keerata.	<ul style="list-style-type: none"> ■ Elektrooniliste või mehaaniliste komponentide rike. 	<ul style="list-style-type: none"> ■ Remontimiseks võtke ühendust EGO klienditeenindusega.
Traktor ei peatu gaasipedaali vabastamisel.	<ul style="list-style-type: none"> ■ Gaasipedaali tagasitee on ummistunud prahiga. 	<ul style="list-style-type: none"> ■ Kontrollige ja eemaldage prahit.
	<ul style="list-style-type: none"> ■ CCS-nuppu vajutatakse sõidu ajal tahtmatult. Traktor on püsikiiruse juhtimise režiimis 	<ul style="list-style-type: none"> ■ Kontrollige, kas CCS-i ikoon on LCD-ekraanil valgustatud, ja vajadusel väljutage CCS-i. Vt peatükki „PÜSIKIIDUSE HOIDJA (CCS) KASUTAMINE“.
CCS-funktsiooni ei saa aktiveerida ega välja lülitada.	<ul style="list-style-type: none"> ■ CCS-nupp pole nõuetekohaselt vajutatud. 	<ul style="list-style-type: none"> ■ Vajutage nuppu CCS, kuni CCS ikoon süttib LCD-ekraanil või kaob LCD-ekraanilt.
Traktori esirattad pöörlevad ebanormaalse müraga	<ul style="list-style-type: none"> ■ Esirataste võllide kaitsehülssid vajavad määrimist. 	<ul style="list-style-type: none"> ■ Eemaldage akud ja täitke sissepritsepoldid määrdega, kuni määre ületab esirataste võllide kaitsehülsside ülemise serva või alumise serva.

TRAKTORI OLEKU VIIDE

LCD-ekraan	Kirjeldus	Traktori oleku indikaator	Helisignaali	Põhjus	Lahendus
	Kütusemõõdiku ikoon	VÄLJAS	Ei	See näitab sisestatud akude keskmist laadimismahtuvust	See on normaalne töötamine. Midagi pole vaja ette võtta.
	Tunniarvesti ikoon	VÄLJAS	Ei	See näitab traktori kogu sõiduaega tundides ja seda ei saa lähtestada.	See on normaalne töötamine. Midagi pole vaja ette võtta.
	Koormuse indikaatori ikoon	VÄLJAS	Ei	See näitab traktori jooksvat koormust.	See on normaalne töötamine. Midagi pole vaja ette võtta.
	LED-tulede ikoon süttib LCD-ekraanil.	VÄLJAS	Ei	Esituled on LED-valguslülitil abil sisse lülitatud.	See on normaalne töötamine. Midagi pole vaja ette võtta.
	Bluetoothi ikoon süttib LCD-ekraanil	VÄLJAS	Ei	Traktor on ühendatud mobiilseadmega Bluetoothi kaudu.	See on normaalne töötamine. Midagi pole vaja ette võtta.
	LCD-ekraanil süttib ikoon „TAGURPIDI NIITMINE VÄLJAS“.	VÄLJAS	Ei	See näitab, et terasid ei saa sisse lülitada, kui traktor liigub tagurpidi.	See on normaalne töötamine. Vajadusel lülitage terad tagurpidi sõidu ajal sisse, järgides kasutusjuhendi jaotist „TERADE SISSELÜLITAMINE TAGURPIDI SÕIDU AJAL“.
	LCD-ekraanil kuvatakse sõiduiikon.	VÄLJAS	Ei	See näitab, et traktor saab sõita või sõidab edasisuunas.	See on normaalne töötamine. Asetage suuna juhtimise hoob vastavalt vajadusele D-asendisse, neutraalasendisse või R-asendisse.
	LCD-ekraanil süttib tagurpidi liikumise ikoon.	VÄLJAS	Ei	See näitab, et traktoriga saab sõita või sellega sõidetakse tagurpidi.	
	Sõitmisikoon ja tagurpidi ikoon vilguvad vaheldumisi	VÄLJAS	Ei	See näitab, et traktor ei saa sõita.	
	Turvavõtme ikoon süttib	VÄLJAS	Ei	Turvavõti on õigesti sisestatud.	See on normaalne töötamine. Midagi pole vaja ette võtta.
	Turvavõtme ikoon vilgub, kui LCD-ekraanil kuvatakse kütusemõõdik.	VÄLJAS	Ei	Turvavõtit pole sisestatud.	Sisestage turvavõti, seejärel vajutage seisupiduri pedaal täielikult alla ja vajutage traktori sisselülitamiseks korraga kolm sekundit START/STOPP-nuppu.
				Võtme juhtpaneeli karbi koost on katki.	Remontimiseks võtke ühendust EGO klienditeenindusega.

ET

LCD-ekraan	Kirjeldus	Traktori oleku indikaator	Helisignaali	Põhjus	Lahendus
	Seisupiduri ikoon vilgub, kui LCD-ekraanil kuvatakse „kütusemõõdik“.	VÄLJAS	Ei	Seisupiduri pedaal ei ole alla vajutatud	Kui turvavõti on sisestatud, vajutage seisupiduri pedaal täielikult alla ja vajutage traktori sisselülitamiseks korraga kolm sekundit START/STOPP-nuppu.
	Seisupiduri ikoon vilgub, kui LCD ekraan kuvab operaatori liidest.	VÄLJAS	Ei	Enne seisupiduri pedaali vajutamist vajutage gaasipedaal alla, et traktori indikaator põleks roheliselt.	Käivitage traktor nõuetekohaselt, järgides jaotist „ TRAKTORI KÄIVITAMINE “.
	Seisupiduri ikoon süttib	VÄLJAS	Ei	Seisupiduri pedaal on seatud seisupiduri asendisse.	Vabastage see enne traktori käivitamist
	Istme anduri ikoon süttib	VÄLJAS	Ei	Operaator lahkeb istmelt või istme turvalukustussüsteem on välja lülitatud.	Kui juht istub istmel ja ikoon põleb, lõpetage traktori kasutamine kohe ja kontrollige istme ühendust. Kui kontrollimisel selgub, et istme ühendus traktoriga on õige, võtke remondiks ühendust kvalifitseeritud hooldustehnikuga.
	Jõuvõtuvõlli lüliti ikoon vilgub	VÄLJAS	Ei	Tera mootori töö katkes kasutamise ajal ja jõuvõtuvõlli lüliti ei ole väljalülitatud asendis.	Enne traktori taaskäivitamist suruge jõuvõtuvõlli lüliti alla, et tera mootorid välja lülitada. Uurige selle kasutusjuhendi jaotist „ TÕRKEOTSING “.
	Teatud akukarbi ikoon vilgub.	VÄLJAS	Ei	Teatud aku tühjenemise ajal on ülevool.	Midagi pole vaja ette võtta. Traktor võib tööd jätkata, kui kombineeritud aku Ah nimiväärtus, välja arvatud aku ülevool, on 15 Ah või rohkem. Kui liigvooluaku aku saavutab normaalse temperatuuri, lülitab see traktori kohe sisse.
	Tühja akupesade ikoon vilgub.	VÄLJAS	Ei	Aku maht ei ole piisav, et traktor saaks sõita.	Selle traktori käivitamiseks kasutage piisavalt EGO akusid, järgides juhiseid selle kasutusjuhendi jaotises „ AKU KINNITAMINE/EEMALDAMINE “.
	Ülekuumenemise ikoon ja hõivatud akupesade ikoonid vilguvad korraga.	VÄLJAS	Ei	Vastavas nummerdatud akupesades olev aku on ülekuumenenud.	<ol style="list-style-type: none"> Traktor võib tööd jätkata, kui kombineeritud aku, välja arvatud ülekuumenenud aku Ah mahtuvus vastab nõudele. Kui ülekuumenenud aku saavutab normaalse temperatuuri, lülitab see traktori kohe sisse. Kui kombineeritud aku Ah ei vasta nõudele, ei tööta traktor enne, kui tühjadesse akupesadesse lisatakse veel akuplokke. Vähendage traktori koormust, tõstes traktori aluse löikekõrgust või vähendades sõidukiirust, kui te tööd jätkate.

ET

LCD-ekraan	Kirjeldus	Traktori oleku indikaator	Helisignaali	Põhjus	Lahendus
	Temperatuuri ikoon vilgub.	VÄLJAS	Üks piiks	Traktor on ülekuumenenud.	Vähendage traktori koormust, tõstes traktori aluse löikekõrgust või vähendades tera- / sõidukiirust. Tehke paus ja laske traktoril jahtuda.
				Traktor on liiga külm.	Ärge tehke korduvaid katseid, mis võivad masinat kahjustada. Hoidke traktorit ja akusid alati soojas keskkonnas. Taaskäivitage traktor, kui see on soojendatud.
	Hoiatusikoon vilgub	Vilgub punaselt	Üks piiks	Teramootor on ülekoormatud.	Traktori koormuse vähendamiseks suurendage aluse löikekõrgust ja vähendage terade kiirust.
				Külgmine väljalasketoru on ummistunud rohu ja prügiga.	Puhastage külgmist väljalasketoru pärast iga kasutamist.
				Tera ja traktori aluse vahel on häireid.	Küsige abi EGO klienditeenindusest.
	Iga kasutusel akusahtli ja hoiatusikooni ikoonid vilguvad iga 1 sekundi järel samal ajal LCD-ekraanil.	Vilgub punaselt	Piiksub edasi, kuni jõuvõtuvõlli lüliti alla lükatakse.	Aku on tühjenemas ja traktor on avariirežiimis.	Lõpetage töö ja pöörduge tagasi aku laadimispiirkonda. MÄRKUS. Kui traktor on avariirežiimis, lülituvad terad automaatselt madalale pöörlemiskiirusele ja samal ajal kostub helisignaali. Tera mootorite väljalülitamiseks peaks operaator vajutama jõuvõtuvõlli lüliti allapoole. Helinäidik lõpetab piikumise pärast terade peatumist.
	Iga kasutatud akusahtli ikoon ja hoiatusikoon vilguvad iga poole sekundi tagant.	Vilgub punaselt	Piiksub edasi	Tera mootori töö katkes kasutamise ajal ja jõuvõtuvõlli lüliti ei ole väljalülitatud asendis.	Traktor lõpetab kohe töötamise. Kasutaja peaks traktori laadimiseks aku laadimispiirkonda transportima.
	CCS-ikoon süttib LCD-ekraanil	Pidev roheline.	Ei	Traktor jätkab ettepoole liikumist määratud kiirusel, ilma et peaksite gaasipedaalile vajutama.	See on normaalne töötamine. Vajadusel lülitage CCS-funktsioon välja, järgides juhendi jaotist „Püsikiiruse hoidja (CCS) peatamine (režiimist väljumine)“.
	CCS-ikoon vilgub LCD-ekraanil.	VÄLJAS	Ei	CCS (püsikiiruse hoidja) funktsioon nurjus.	CCS-funktsiooni ei saa seadistada, kui traktor sõidab väga madalal kiirusel või tagurpidi.
				Seisupiduri pedaal on traktori peatamiseks alla vajutatud.	Pärast seisupiduri pedaaliga vabastamist vajutage CCS-nuppu ja CCS-ikoon süttib LCD-ekraanil, või väljuge CCS-funktsioonist, järgides jaotises „Püsikiiruse hoidja (CCS) peatamine (režiimist väljumine)“ toodud juhiseid.

LCD-ekraan	Kirjeldus	Traktori oleku indikaator	Helisignaali	Põhjus	Lahendus
	LCD-ekraanil ei sütti ühtegi murukoti ikooni	Ei kehti	Ei	See näitab, et murukotti ei ole traktorile paigaldatud või see ei ole korralikult paigaldatud.	Paigaldage murukott korralikult traktorile.
	LCD-ekraanil vilgub täis murukoti ikoon.	Ei kehti	Ei	See näitab, et rohkott on täis.	Tühjendage murukott ja asendage see korralikult.
Ei kehti	Ei kehti	VÄLJAS	Piiksub edasi	Traktor on pargitud nõlvale ja juht lahkeb traktorist, seadnata seisupiduri pedaali seisupiduri asendisse.	Seadke seisupiduri pedaal seisupiduri asendisse. Seisupiduri ikoon süttib ja heli indikaator lõpetab piiksumise.
VÄLJAS	Laadimispori rike	Pidev PUNANE	Ei kehti	Elektritoide puudub.	Kontrollige seinakontakti selle suhtes, kas toitepinge on 220–240 V või kas pistikupepa on korras.
		Pidev PUNANE	Ei kehti	Elektronilised vead, nagu laadimisport, mis on avatud vooluringis, kaitse on läbi põlenud jne.	Remontimiseks võtke ühendust EGO klienditeenindusega.

VEAKOODI VIIDE

Kirjeldus	Veakood LCD-ekraanil	Helisignaali	Lahendus
Vasaku tera mootori ei pöörle.	509	Üks piiks	Kontrollige kõigepealt tera. Kui see on lahti, pingutage polt soovitatava pöördemomendiga. Muudel juhtudel võtke remontimiseks ühendust EGO klienditeenindusega.
Parema tera mootori ei pöörle.	609	Üks piiks	

MÄRKUS. Kõigi muude LCD-ekraanile ilmuvate veakoodide korral, mis võivad viidata PCBA rikkele, lahtiühendamisele, ajamimootori mootoririkkele, labade mootoritele jne, eemaldage kõik akud ja sisestage need mõne minuti pärast uuesti, et niiduk taaskäivitada. Kui see probleemi ei lahenda, registreerige veakood ja võtke parandustööde asjus ühendust EGO klienditeenindusega.

ET

GARANTII

EGO GARANTIIPÕHIMÕTTED

Täielikud EGO garantiitingimused leiate veebilehelt egopowerplus.eu.

ПРОЧИТАЙТЕ ВСІ ІНСТРУКЦІЇ!



ПРОЧИТАЙТЕ ПОСІБНИК З ЕКСПЛУАТАЦІЇ

СИМВОЛ БЕЗПЕКИ

Мета символів, пов'язаних із безпекою, – привернути вашу увагу до можливих небезпек. Символи безпеки та їхнє пояснення заслуговують на вашу пильну увагу та розуміння. Символи попереджень самі по собі не усувають будь-якої небезпеки. Інструкції та попередження, які вони надають, не замінюють належних заходів щодо запобігання аваріям.

▲ ПОПЕРЕДЖЕННЯ. Перш ніж користуватися цим інструментом, обов'язково ознайомтеся з усіма інструкціями з безпеки, наведеними в цьому посібнику користувача, зокрема з усіма символами попереджень, такими як « **НЕБЕЗПЕКА** », « **ПОПЕРЕДЖЕННЯ** » та « **ЗАСТЕРЕЖЕННЯ** ». Недотримання наведених нижче вказівок може спричинити ураження електричним струмом, пожежу та/або серйозні травми.

ЗНАЧЕННЯ СИМВОЛУ

На цій сторінці зображено та описано символи, пов'язані з безпекою, які можуть відображатись на цьому виробі. Перш ніж намагатися зібрати та експлуатувати його, ознайомтеся з усіма інструкціями на інструменті та дотримуйтеся їх.

СИМВОЛИ, ЩО СТОСУЮТЬСЯ БЕЗПЕКИ

	Попередження щодо безпеки		Ознайомтеся з посібником користувача
	Засоби захисту очей		Догляд за пристроями безпеки
	НЕБЕЗПЕКА – небезпека крутого схилу		НЕБЕЗПЕКА – не підпускайте сторонніх до лез
	Ніколи не перевозьте дітей		Озирайтеся, рухаючись назад
	ПОПЕРЕДЖЕННЯ. Не використовуйте цю машину на схилах більше 12°		НЕБЕЗПЕКА – відкидання предметів
	ПОПЕРЕДЖЕННЯ – ТРИМАЙТЕ РУКИ ТА НОГИ ПОДАЛІ		Гарантований рівень звукової потужності. Згідно з директивою Європейського співтовариства.
	Не ставайте		Відходи електричних виробів не слід викидати разом із побутовим сміттям. Зверніться до авторизованого пункту переробки.
	Цей виріб відповідає чинним директивам ЄС.		ЗАСТЕРЕЖЕННЯ. Не дивіться на лампу, що працює.

UK

	Постійний струм
kPa	Кілопаскаль
V	Вольти
in	Дюйм
Nm	Ньютон-метр
°C	Градуси Цельсія
km/h	Кілометри на годину

Цей виріб відповідає чинному законодавству Великобританії.	
RPM	Обертів на хвилину
m	Метри
cm	Сантиметри
mm	Міліметри
kg	Кілограми
IPX4	Ступінь захисту від пилу та вологи

СИМВОЛИ В ЦЬОМУ ПОСІБНИКУ



На цю інформацію необхідно звернути увагу



Зазначена дія припиняється

ТЕХНІЧНІ ХАРАКТЕРИСТИКИ

Напруга	56 В	
Розмір деки	98 см	
Розмір колеса	Переднє	15 x 6 – 6 дюймів
	Заднє	18 x 7,5 – 8 дюймів
Тиск у холодній шині	Переднє	96,5 кПа
	Заднє	170 кПа
Швидкість леза (об./хв)	До 3000	
Максимальна швидкість руху	Вперед	До 9,6 км/год
	Назад	до 4,8 км/год
Регулювання висоти різання (12 положень)	25 – 100 мм	
Діапазон температур заряджання	5°C – 40°C	
Робоча температура	0°C – 40°C	
Температура зберігання	-20°C – 70°C	
Вага (без акумулятора)	220 кг	
Вимірний рівень звукової потужності L_{WA}	97,7 дБ(А) K=1,75 дБ(А)	
Рівень звукового тиску на місці вуха оператора L_{PA}	83,6 дБ(А) K=3 дБ(А)	
Гарантований рівень звукової потужності L_{WA} (відповідно до стандарту 2000/14/ЕС)	100 дБ(А)	
Вібрація a_h	Рука	0,24 м/с ² K=1,5 м/с ²
	Тіло	0,18 м/с ² K=1,5 м/с ²

- Вказане загальне значення вібрації виміряне за стандартним методом тестування і може використовуватися для порівняння одного інструмента з іншим;
- Заявлене сумарне значення вібрації може також використовуватись для попередньої оцінки впливу.

ПРИМІТКА. Емісія вібрації під час фактичного використання електроінструмента може відрізнитися від заявленої величини, за якої використовується інструмент. Щоб захистити оператора, користувач повинен одягати рукавички та захисні навушники в реальних умовах використання.

РЕКОМЕНДОВАНІ АКСЕСУАРИ

▲ ПОПЕРЕДЖЕННЯ. Використовуйте тільки аксесуари, перелічені нижче. Використання приладдя, що не відповідає характеристикам оригінального обладнання, може призвести до неналежної роботи та поставити під загрозу безпеку.

НАЗВА ДЕТАЛІ	НОМЕР МОДЕЛІ
Набір ножів для збору трави	AV3801TD
Пробка для мульчування	AMP3800T

ОПИС

ОЗНАЙОМЛЕННЯ З ТРАКТОРОМ (Рис. А1)

1. Сидіння
2. Підстаканники
3. Заднє колесо (приводне колесо) (2 шт.)
4. Промивний отвір (2 шт.)
5. Дека
6. Колесо проти скальпування (2 шт.)

7. Переднє колесо (x2)
8. Передній бампер
9. Педаль гальма стоянки
10. Світлодіодна фара (2 шт.)
11. Блока живлення
12. Відсік для зберігання
13. Важіль блокування стоянкового гальма
14. Кермове колесо
15. Важіль регулювання положення сидіння
16. Укладальник трави
17. Порт для заряджання
18. USB-порт
19. Кошик для зберігання
20. Педаль акселератора
21. Важіль регулювання висоти деки
22. Перекидний важіль
23. Ручка
24. Індикатор стану трактора
25. Кнопка регулювання швидкості лез
26. Кнопка КОСІННЯ ЗАДНІМ ХОДОМ
27. Кнопка «Пуск/Стоп»
28. Важіль керування напрямком
29. Запобіжний ключ
30. Перемикач валу відбору потужності
31. Кнопка CCS
32. Кнопка світлодіодних ліхтарів / кнопка Bluetooth
33. Кнопка регулювання швидкості руху
34. Кнопка відкриття кришки блока живлення
35. Кришка блока живлення
36. Блок живлення з шістьма батарейними відсіками
37. Кнопка звільнення акумулятора

ОЗНАЙОМЛЕННЯ З РК-ЕКРАНОМ (Рис. А2)

Див. розділ «ДОВІДКА ЩОДО СТАНІВ ТРАКТОРА» та «ДОВІДКА ЩОДО КОДІВ НЕСПРАВНОСТЕЙ» для отримання додаткової інформації про значки та індикатори на РК-екрані.

1. Значок CCS
2. Індикатор стану захисного пристрою
3. Значок «КОСІННЯ ЗАДНІМ ХОДОМ ВИМКНЕНО»
4. Значок руху
5. Значок заднього ходу
6. Значок запобіжного ключа
7. Значок світлодіодного освітлення
8. Значок Bluetooth
9. Індикатор швидкості лез
10. Лічильник годин
11. Показчик рівня палива
12. Значок температури

13. Значок попередження (перевантаження/низька потужність)
14. Значок вільного батарейного відсіку
15. Значок зайнятого батарейного відсіку
16. Індикатор коду несправності
17. Індикатор навантаження
18. Індикатор швидкості ходу
19. Значок заповненого укладальника
20. Значок відсутності укладальника

РОЗПАКУВАННЯ

ПРИМІТКА. Зберігайте пакувальні матеріали, доки ви уважно не оглянете виріб і не почнете його нормально експлуатувати. Якщо будь-які деталі з пакувального листа встановлені на машині, негайно зв'яжіться із сервісною службою EGO.

ПРИМІТКА. За винятком інструментів із нижченаведеного пакувального списку, усі інші інструменти, згадані в посібнику, рекомендуються, але не надаються в комплекті.

ПАКУВАЛЬНИЙ СПИСОК (Рис. В)

В-1	Електричний газонний трактор	В-2	Сидіння
В-3	Кермове колесо	В-4	Пилозахисний ковпачок
В-5	Комбіновані ключі	В-6	Торцевий ключ на 18 мм
В-7	Ступінчасті болти (1 запасний)	В-8	Гайки М8 (1 запасна)
В-9	Гайки М12 (1 запасна)	В-10	Шайби (1 запасна)
В-11	Запобіжний ключ	В-12	Пристрій для швидкої зміни навісного обладнання з отвором для промивання
В-13	Посібник користувача	В-14	Укладальник трави (з двома комплектами болтів і гайок для бічних кронштейнів)
В-15	П-подібний кронштейн	В-16	Бічний кронштейн
В-17	Перекидний важіль	В-18	Лівий і правий опорний кронштейн укладальника
В-19	Поперечна планка	В-20	Болт М8Х40
В-21	Болт М8Х25	В-22	Гайка М8

UK

ЗБИРАННЯ

УСТАНОВЛЕННЯ КЕРМОВОГО КОЛЕСА (Рис. С1)

С1-1	Кермова колонка	С1-2	Кермове колесо
С1-3	Центральна лінія	С1-4	Шайба
С1-5	Гайка	С1-6	Торцевий ключ на 18 мм
С1-7	Пилозахисний чохол		

УСТАНОВЛЕННЯ СІДІННЯ (Рис. С2)

▲ ПОПЕРЕДЖЕННЯ. Систему захисного блокування не можна вимикати або обходити. Це може спричинити несподівану роботу трактора, що може призвести до травм.

C2-1	Сідіння	C2-2	Гайка (M8)
C2-3	Ступінчастий болт	C2-4	Гніздо
C2-5	Штекер		

УСТАНОВЛЕННЯ УКЛАДАЛЬНИКА ДЛЯ ТРАВИ (Рис. С3–С8)

C3-1	П-подібний кронштейн	C3-2	Укладальник
C3-2	4 комплекти болтів і гайок (M8 X 40)	C3-4	Комбінований ключ
C4-1	Бічні кронштейни	C4-2	4 комплекти болтів і гайок (M8 X 40)
C4-3	Комбінований ключ	C5-1	Перекидний важіль
C5-2	1 набір болтів і гайок (M8 X 40)	C5-3	Комбінований ключ
C6-1	Опорні кронштейни укладальника	C6-2	4 комплекти болтів і гайок (M8 X 25)
C6-3	Комбіновані ключі	C7-1	Поперечна планка
C7-2	2 гайки (M8)	C7-3	Комбінований ключ

РЕГУЛЮВАННЯ

ПЕРЕД РЕГУЛЮВАННЯМ (Рис. D1)

РЕГУЛЮВАННЯ ВИСОТИ РІЗУЧОЇ ДЕКИ (Рис. D2)

РЕГУЛЮВАННЯ КОЛИЩАТОК ДЛЯ ЗАХИСТУ ВІД СКАЛЬПУВАННЯ (Рис. D3 – D6)

D3-1	Колеса проти скальпування	D5-1	Гайка
D5-2	Рєбристий болт	D6-1	Етикетка висоти деки

РЕГУЛЮВАННЯ СІДІННЯ (Рис. D7)

D7-1	Важіль регулювання положення сідіння
------	--------------------------------------

UK

ЕКСПЛУАТАЦІЯ

ПЕРЕД ЕКСПЛУАТАЦІЄЮ (Рис. E1)

УСТАНОВЛЕННЯ СТОЯНКОВОГО ГАЛЬМА (Рис. E2)

E2-1	Положення гальма стоянки	E2-2	Відпущене положення
------	--------------------------	------	---------------------

▲ ПОПЕРЕДЖЕННЯ. ПЕДАЛЬ СТОЯНКОВОГО ГАЛЬМА НЕ МОЖЕ ЗМЕНШУВАТИ ШВИДКІСТЬ РУХУ. НІКОЛИ НЕ НАМАГАЙТЕСЯ НАТИСКАТИ НА ПЕДАЛЬ СТОЯНКОВОГО ГАЛЬМА, ЩОБ ЗНИЗИТИ ШВИДКІСТЬ ПІД ЧАС РУХУ. ЯКЩО ПЕДАЛЬ СТОЯНКОВОГО ГАЛЬМА НАТИСНУТА, АЛЕ НЕ ЗАФІКСОВАНА В ПОЛОЖЕННІ

СТОЯНКОВОГО ГАЛЬМА, ЕЛЕКТРИЧНЕ ГАЛЬМО БІЛЬШЕ НЕ ДІЄ, І ТРАКТОР ПРИПИНЯЄ РУХ НА РІВНІЙ ПОВЕРХНІ. АЛЕ НА СХИЛІ ТРАКТОР МОЖЕ СКОТИТИСЯ ВНИЗ, ЯКЩО ВІДПУСТИТИ ПЕДАЛЬ СТОЯНКОВОГО ГАЛЬМА.

▲ ПОПЕРЕДЖЕННЯ. ПОТЯГНІТЬ ВГОРУ ВАЖІЛЬ БЛОКУВАННЯ СТОЯНКОВОГО ГАЛЬМА Й НЕГАЙНО НАТИСНІТЬ НА ПЕДАЛЬ СТОЯНКОВОГО ГАЛЬМА, ЩОБ УВІМКНУТИ ЙОГО В ПОЛОЖЕННІ СТОЯНКИ – У РАЗІ ВИНИКНЕННЯ АВАРІЙНОЇ СИТУАЦІЇ ТРАКТОР НЕГАЙНО ЗУПИНІТЬСЯ Й НЕ БУДЕ СКОЧУВАТИСЯ ЗІ СХИЛУ.

УСТАНОВЛЕННЯ І ЗНЯТТЯ АКУМУЛЯТОРА (Рис. E3 – E6)

Для запуску цього трактора потрібні акумулятори EGO на 15 А·год (2 X BA4200/BA4200T) або більше. Для кращої роботи ми рекомендуємо використовувати акумулятори EGO загальною ємністю 30 А·год або більше.

E3-1	Кнопка відкриття кришки	E5-1	Кнопка звільнення батареї
------	-------------------------	------	---------------------------

ЗАРЯДЖАННЯ ТРАКТОРА

Використовуйте лише рекомендовані акумулятори та зарядні пристрої.

- Заряджайте акумулятор(и) окремо (рис. E7)

ПРИМІТКА. Детальні інструкції див. в посібниках відповідних акумуляторів і зарядного пристрою.

- Заряджайте акумулятор(и) через зарядний порт (рис. E8 – E10)

E10-1	Пилозахисний ковпачок	E10-2	Порт для заряджання
-------	-----------------------	-------	---------------------

ПЕРЕВІРКА СИСТЕМИ ЗАХИСНОГО БЛОКУВАННЯ.

- Перевірка системи дека-лезо (рис. E11 – E12)
- Перевірка самохідної системи (рис. E13 – E14)

Якщо система «дека-лезо» та/або самохідна система не зупиняється, коли оператор перебуває поза сідінням, і якщо причина не може бути визначена після перевірки правильності підключення штекера та гнізда сідіння, зверніться в центр обслуговування клієнтів EGO негайно.

КОМУНІКАЦІЙНА ТЕХНОЛОГІЯ

Для отримання інформації про повний спектр під'єднаних продуктів і послуг, зокрема інструкцій із підключення, відскануйте QR-код нижче або відвідайте сайт www.egopowerplus.eu/connect.



КОНТРОЛЬНИЙ СПИСОК ПЕРЕД ЕКСПЛУАТАЦІЄЮ

- Переконайтеся, що в робочій зоні немає дітей, сторонніх і домашніх тварин.
- Очистьте робочу зону від предметів, які можуть бути відкинуті лезами трактора.
- Очистьте трактор від сміття.
- Перевірте наявність ослаблених кріплень.
- Переконайтеся, що всі щитки на місці та працюють належним чином.
- Візуально перевірте, чи не спущено шини.
- Перевірте роботу гальма.
- Відрегулюйте висоту деки до бажаного положення косіння, що найбільше підходить для газону, і відповідним чином відрегулюйте колеса проти скальпування.
- Відрегулюйте положення сидіння та переконайтеся, що обидві педалі доступні.
- Перевірте рівень заряду батареї.
- Перевірте систему захисного блокування.
- Переконайтеся, що укладальник для трави встановлений належним чином.

ЗАПУСК ТРАКТОРА (Рис. E15 – E16)

▲ ПОПЕРЕДЖЕННЯ. Уникайте різких пусків, зупинок і поворотів, а також надмірної швидкості, особливо під час початкового навчання роботі з трактором. Трактор може швидко обертатися, що може призвести до втрати керування та серйозних травм і/або шкоди.

▲ ПОПЕРЕДЖЕННЯ. Перед запуском трактора перевірте й переконайтеся, що леза відключені протягом 5 с під час натискання перемикача вала відбору потужності вниз. Якщо леза не зупиняються, не використовуйте трактор і негайно зверніться в службу підтримки клієнтів EGO.

ПРИМІТКА.

- Якщо педаль стоянкового гальма встановлена в положення стоянки, то перед початком руху трактора потрібно лише натиснути кнопку «Пуск/зупинка» на 3 секунди, щоб увімкнути РК-екран, а потім відпустити педаль стоянкового гальма.
- Ріжучі леза можна запустити в будь-який момент, якщо РК-екран повністю освітлений, а важіль керування напрямком руху не відведений назад у напрямку «R». Щоб увімкнути леза під час руху трактора заднім ходом, зверніться до розділу «УВІМКНЕННЯ ЛЕЗ ПІД ЧАС РУХУ ЗАДНІМ ХОДОМ» в цьому посібнику.

ПРИМІТКА. Дотримуйтесь рис. E17, щоб отримати найнижчу швидкість руху, доки ви повністю не зможете керувати трактором у будь-яких ситуаціях.

Електричний газонний трактор не запам'ятовує налаштування швидкості руху та швидкості лез. Швидкість руху та швидкість леза повертатимуться до рівня 2 кожного разу, коли трактор вимикається.

Регулювання швидкості руху (рис, E17)

Регулювання швидкості лез (рис. E18)

ПРИМІТКА. У режимі «Рівень 3» натисніть кнопку регулювання швидкості лез ще раз, і швидкість лез відновиться до попередньої.

Світлодіодні ліхтарі (рис. E19)

- Світлодіодні фари можна вмикати та вимикати за допомогою вимикача.

USB-порт

ПРИМІТКА. Порт USB забезпечує заряджання 5 В постійного струму при сумарному споживанні 1,5 А і отримує живлення, тільки коли трактор запущений.

ЗУПИНКА ТРАКТОРА (рис. E20)

▲ ПОПЕРЕДЖЕННЯ. Завжди встановлюйте педаль стоянкового гальма в положенні стоянки, коли трактор перестає рухатися по схилу, інакше трактор може зісковзнути вниз по схилу, що може спричинити серйозні пошкодження трактора або травми!

ПРИМІТКА. У ситуації, коли педаль стоянкового гальма встановлена в положення стоянки, а оператор не сидить у сидінні, але акумуляторні батареї не витягнено:

- У разі вимкнення РК-екрана індикатори акумулятора кнопка «Пуск/зупинка» і кнопка CCS залишаться підсвіченими протягом 1 години.
- Якщо на РК-екрані відображається рівень заряду або інтерфейс оператора, трактор автоматично вимкнеться через 1 годину.

Аварійний режим

Коли заряд батареї стає критично низьким, трактор переходить в аварійний режим, щоб зберегти достатньо енергії та повернутися до зони заряджання.

- Леза перемикаються на низьку швидкість обертання, що дає змогу зрізати невелику кількість трави. У разі зустрічі з високою та густою травою леза перестають обертатися. Лунатиме переривчастий звуковий сигнал.
- Індикатор стану трактора щосекунди блиматиме червоним кольором, а значок попередження (низький рівень заряду) та значок кожного зайнятого батарейного відсіку будуть блимати.

Оператор повинен:

- Натиснути перемикач вала відбору потужності вниз, щоб вимкнути мотори лез. Звуковий індикатор перестане видавати звукові сигнали, коли мотори лез зупиняться.
- Припинити роботу і якомога швидше дістатися до зони заряджання. Максимальна відстань, яку може проїхати трактор, становить 1000 м.

Коли акумулятор майже розряджений, значок попередження (низький заряд) і значок кожного зайнятого батарейного відсіку блиматимуть кожні півсекунди. Трактор негайно перестане працювати. Оператору доведеться транспортувати трактор у зону заряджання, щоб зарядити його.

ПРИМІТКА. Якщо потрібне штовхання вручну, переконайтеся, що акумуляторні батареї відключені від трактора і педаль гальма стоянки відпущена з положення стоянки.

КЕРУВАННЯ ТРАКТОРОМ (рис. E21)

▲ НЕБЕЗПЕКА. Тримайтеся на відстані принаймні подвійної ширини скошування від канав, обривів або води. Передні колеса можуть обертатися, коли трактор зупинений, навіть із задіяним гальмом, що може привести до вильоту трактора за край або у воду та спричинити смерть або серйозні травми.

▲ ПОПЕРЕДЖЕННЯ. Не експлуатуйте трактор на дорогах загального користування.

▲ ПОПЕРЕДЖЕННЯ. У разі блокування або удару об сторонній предмет зупиніть двигуни та вийміть усі батареї. Видаліть скошену траву, листя, бруд і будь-яке інше сміття, що скупчилося; ретельно огляньте трактор на предмет пошкоджень і усуньте пошкодження перед повторним запуском і експлуатацією трактора.

ПРИМІТКА.

- Під час руху, коли ви залишаєте сидіння, індикатор стану трактора вимикається. Починаючи рух знову, сядьте на сидіння й повністю натисніть на педаль стоянкового гальма, щоб індикатор стану трактора засвітився зеленим кольором.
- Перемикаючи між переднім і заднім ходом під час руху, переміщайте важіль керування напрямком руху безпосередньо з одного кінця в інший, не зупиняючись у нейтральному положенні, інакше трактор може зупинитися.


ВИКОРИСТАННЯ КРУЇЗ-КОНТРОЛЮ (CCS)



Увімкнення круїз-контролю (CCS) (рис. E22)

ПРИМІТКА. Рівень швидкості руху, що відображається на РК-екрані, може неточно відображати фактичну швидкість руху трактора в режимі круїз-контролю. Натисніть кнопку регулювання швидкості, щоб «оновити» рівень швидкості руху на РК-екрані.

Щоб вимкнути круїз-контроль (CCS), ви можете вибрати один із трьох способів:

- Натисніть педаль акселератора до упору та продовжуйте натискати. Функція CCS вимкнеться, і трактор продовжить рух.
- Натисніть педаль акселератора, а потім відпустіть її. Трактор і функція CCS зупиняється.
- Натисніть кнопку CCS. Трактор і функція CCS зупиняється.

ПРИМІТКА. Коли CCS буде вимкнено, значок «» зникне з РК-екрана і двічі пролунає звуковий сигнал.

ПРИМІТКА. Якщо натиснути на педаль стоянкового гальма, трактор зупиниться, але на РК-дисплеї буде блимати значок «», вказуючи на те, що система CCS перебуває в режимі очікування. Тоді відпустіть педаль стоянкового гальма, натисніть кнопку CCS. Трактор автоматично відновить рух, а значок «» перестане блимати.

UK

УВІМКНЕННЯ ЛЕЗ ПІД ЧАС РУХУ ЗАДНІМ ХОДОМ

ПРИМІТКА. Не рекомендується косити заднім ходом.


▲ ПОПЕРЕДЖЕННЯ. Будьте особливо обережні під час косіння заднім ходом. Завжди стежте за тим, щоб ніхто не перебував у робочій зоні, особливо маленькі діти, перед початком і під час косіння заднім ходом.

▲ ПОПЕРЕДЖЕННЯ. Видимість операторів може погіршитися під час роботи трактора з комплектом укладальника. Перед початком і під час косіння заднім ходом завжди слід бути особливо обережними та ознайомитися з ділянкою, де планується застосування.



Увімкнення КОСІННЯ ЗАДНІМ ХОДОМ (E23)

Щоб вимкнути КОСІННЯ ЗАДНІМ ХОДОМ, ви можете вибрати один із чотирьох способів:

- Натисніть кнопку «КОСАННЯ ЗАДНІМ ХОДОМ» один раз.
- Підведіться із сидіння трактора.
- Натисніть і утримуйте кнопку «Пуск/стоп» протягом 3 с, щоб вимкнути РК-екран.
- Вийміть запобіжний ключ або вийміть акумулятор(и), щоб вимкнути трактор.

ПРИМІТКА. Коли косіння заднім ходом вимкнено, на РК-екрані світиться значок «».

СПОРОЖНЕННЯ УКЛАДАЛЬНИКА ДЛЯ ТРАВИ (рис. E24)

ПРИМІТКА. Коли значок «» блимає на РК-екрані, укладальник для трави заповнений. Після спорожнення укладальника значок «» зникне з РК-екрана.

ПРИМІТКА. Укладальник для трави слід установити на трактор належним чином, інакше трактор зможе рухатися, але мотори лез не працюватимуть.

ОБСЛУГОВУВАННЯ

▲ ПОПЕРЕДЖЕННЯ. Завжди носіть засоби захисту органів зору із закисними щитками. Недотримання цього правила може призвести до потрапляння предметів в очі та стати причиною серйозних травм.

▲ ПОПЕРЕДЖЕННЯ. Завжди захищайте руки, одягнувши товсті рукавички або обгорнувши ріжучі кромки ганчірками чи іншими матеріалами під час виконання будь-якого технічного обслуговування леза трактора. Під час обслуговування або транспортування трактора завжди виймайте запобіжний ключ та акумуляторну батарею.

РЕКОМЕНДОВАНИЙ ГРАФІК ТЕХНІЧНОГО ОБСЛУГОВУВАННЯ

Інтервал технічного обслуговування	Порядок обслуговування
Перед кожним використанням або щодня	<ul style="list-style-type: none"> ■ Перевірте систему захисного блокування. ■ Візуально перевірте, чи не спущено шини. ■ Огляньте лезо. ■ Огляньте весь виріб на предмет пошкоджень, відсутніх або незакріплених деталей, таких як бічний випускний жолоб, гвинти, гайки, болти, кришки тощо, переконавшись, що всі щитки розміщені на своїх місцях і працюють належним чином. ■ Перевірте та переконайтеся, що педаль акселератора може бути належним чином натиснута та відпущена. ■ Перевірте демпфер кермового колеса. Кермове колесо має обертатися з певним опором.
Після кожного використання	<ul style="list-style-type: none"> ■ Очистьте трактор і вийміть деку.
Кожні 25 годин	<ul style="list-style-type: none"> ■ Перевірте тиск у шинах.
Кожні 100 годин	<ul style="list-style-type: none"> ■ Перевірте задні колеса, переконавшись, що всі затискні гайки затягнуто з рекомендованим крутним моментом (101–103 Н·м). ■ Перевірте передні колеса, переконавшись, що гайку затягнуто з рекомендованим крутним моментом (90–92 Н·м).
Кожні 200 годин	<ul style="list-style-type: none"> ■ Перевірте передні колеса та переконайтеся, що вони вільно обертаються.
Кожні півроку	<ul style="list-style-type: none"> ■ Перевірте педаль гальма стоянки. Вийміть акумуляторну батарею з трактора, потім потягніть вгору важіль блокування стоянкового гальма й натисніть на педаль стоянкового гальма, щоб задіяти стоянкове гальмо. Вручну штовхніть трактор вперед, щоб перевірити, чи може він рухатися без обертання задніх коліс. Якщо трактор рухається, а задні колеса при цьому обертаються, зверніться до сервісного центру EGO для ремонту.

Перед зберіганням	<ul style="list-style-type: none"> ■ Вийміть акумулятори з трактора. ■ Зніміть запобіжний ключ із трактора. ■ Виконайте всі перелічені вище процедури технічного обслуговування і ретельно очистьте трактор. ■ Огляньте весь виріб на наявність пошкоджених, відсутніх або незакріплених деталей, замініть або затягніть відповідні деталі перед зберіганням.
Щорічно	<ul style="list-style-type: none"> ■ Змастіть втулки валів передніх коліс.

ЗАГАЛЬНИЙ ТЕХНІЧНИЙ ДОГЛЯД

Висипання трави (рис. F1 – F3)

Очищення корпусу трактора (рис. F4)

Використання промивного порту для миття деки трактора (рис. F5 – F6)

F5-1	Промивний отвір	F5-2	Пристрій для швидкої зміни навісного обладнання з отвором для промивання
F5-3	Садовий шланг		

ПРИМІТКА. Закінчивши очищення, повністю вимкніть трактор, а потім вийміть садовий шланг і швидко роз'єднайте з'єднання.

ТЕХНІЧНЕ ОБСЛУГОВУВАННЯ ДЕКИ ТРАКТОРА ТА ЛЕЗ

Підготовка (рис. G1)

Зняття деки (рис. G2 – G3)

G2-1	Кабель двигуна	G2-2	Шплінт
G2-3	Привод підвіски		

Заміна ріжучих лез (рис. G4 – G6)

G4-1	Стабілізатор	G5-1	Болт
G5-2	Шайба	G5-3	Лезо
G5-4	Фланець	G5-5	Вал мотора

Вирівнювання деки

- a. Коли слід вирівнювати (рис. G7 / рис. G8 / рис. G9)
- b. Перед вирівнюванням
 - Перевірка тиску в холодних шинах (рис. G10)
 - Перевірте ріжучі леза. За необхідності зніміть і замініть зношені, тріснуті та/або погнуті леза.
- c. Підготовка до вирівнювання (рис. G11)
- d. Як вирівняти
 - Поперечне регулювання (рис. G12)
 - Повздовжнє регулювання (рис. G13)

UK

ЗБЕРІГАННЯ І ТРАНСПОРТУВАННЯ

ТРАНСПОРТУВАННЯ ТРАКТОРА (рис. Н1 – Н5)

Н2-1	Рампи	Н2-2	Ремені
------	-------	------	--------

ПРИМІТКА. За необхідності закріпіть трактор ременями або тросами, щоб запобігти його переміщенню під час транспортування.

ЗБЕРІГАННЯ (рис. І1 – І2)

ПРИМІТКА. Виймайте та зберігайте акумуляторні батареї окремо, див. відповідні інструкції.

Очищення та перевірка трактора перед зберіганням описані в розділах «ЗАГАЛЬНЕ ТЕХНІЧНЕ ОБСЛУГОВУВАННЯ» та «РЕКОМЕНДОВАНИЙ ГРАФІК ТЕХНІЧНОГО ОБСЛУГОВУВАННЯ».


Захист довкілля



WEEE (відходи електричного та електронного устаткування) Не викидайте електричне обладнання, акумулятор і зарядний пристрій у побутові відходи! Віднесіть цей виріб авторизованому переробнику й надайте його для роздільного збирання. Електроінструменти необхідно повернути в підприємство, що займається екологічно безпечною переробкою.

УСУНЕННЯ НЕСПРАВНОСТЕЙ

НЕСПРАВНІСТЬ	ПРИЧИНА	ВИРІШЕННЯ
Електричний газонний трактор не їде, коли натиснута педаль акселератора.	<ul style="list-style-type: none"> Сумарна ємність усталених батарей не відповідає вимогам. 	<ul style="list-style-type: none"> Для запуску цього трактора використовуйте достатню кількість акумуляторних батарей EGO, дотримуючись інструкцій, наведених у розділі "УСТАНОВЛЕННЯ І ВИДАЛЕННЯ АКУМУЛЯТОРА" цього посібника.
	<ul style="list-style-type: none"> Педаль гальма стоянки встановлена в положення гальмування. 	<ul style="list-style-type: none"> Повністю натисніть педаль гальма стоянки, щоб вивести її з положення стоянки.
	<ul style="list-style-type: none"> Індикатор стану трактора не світиться зеленим. 	<ul style="list-style-type: none"> Натисніть на педаль стоянкового гальма, а потім відпустіть. Індикатор стану трактора загориться зеленим кольором, що означає, що трактор готовий до запуску.
	<ul style="list-style-type: none"> Оператор не сидить на сидінні. 	<ul style="list-style-type: none"> Трактором можна керувати тільки тоді, коли оператор правильно сидить на сидінні.
	<ul style="list-style-type: none"> Система блокування сидінь не підключена належним чином. 	<ul style="list-style-type: none"> Вийміть акумулятори з трактора та підніміть спинку сидіння вгору, щоб переконатися, що кабельний штекер належним чином підключений до розетки в нижній частині сидіння (див. розділ «УСТАНОВЛЕННЯ СИДІННЯ»). Дотримуйтеся інструкцій у розділі «ЗАПУСК ТРАКТОРА», щоб перезапустити трактор, щоб перевірити, чи трактор запускається. В іншому разі зверніться до Центру обслуговування клієнтів EGO щодо ремонту.
	<ul style="list-style-type: none"> У дуже холодну погоду самохідна функція може не запуститися через захист від низьких температур. 	<ul style="list-style-type: none"> Завжди зберігайте трактор і акумулятори в теплому місці. Перезапустіть трактор, коли він прогріється. Не робіть повторних спроб у дуже холодну погоду, оскільки це може призвести до пошкодження машини.
	<ul style="list-style-type: none"> Хід педалі акселератора перешкоджається засміченням. 	<ul style="list-style-type: none"> Перевірте і видаліть сміття
	<ul style="list-style-type: none"> Вихід із ладу механічних або електронних компонентів педалі акселератора. 	<ul style="list-style-type: none"> Зверніться до Центру обслуговування клієнтів EGO щодо ремонту.
<ul style="list-style-type: none"> Важіль керування напрямком руху перебуває в нейтральному положенні. 	<ul style="list-style-type: none"> Натисніть/потягніть важіль керування напрямком у напрямку «D» або «R». 	

НЕСПРАВНІСТЬ	ПРИЧИНА	ВИРІШЕННЯ
Електричний газонний трактор припиняє рух.	<ul style="list-style-type: none"> Коли важіль керування напрямком руху перемикається між переднім і заднім ходом під час руху, він тривалий час залишається в нейтральному положенні. 	<ul style="list-style-type: none"> Відпустіть педаль акселератора, а потім знову натисніть її.
	<ul style="list-style-type: none"> Вихід із ладу електронних компонентів педалі акселератора. 	<ul style="list-style-type: none"> Зверніться до Центру обслуговування клієнтів EGO щодо ремонту.
	<ul style="list-style-type: none"> Система блокування сидіння відключилася під час руху пересіченою місцевістю. 	<ul style="list-style-type: none"> Вийміть акумулятори з трактора та підніміть спинку сидіння вгору, щоб переконатися, що кабельний штекер належним чином підключений до розетки в нижній частині сидіння (див. розділ «УСТАНОВЛЕННЯ СИДІННЯ»). Дотримуйтесь інструкцій у розділі «ЗАПУСК ТРАКТОРА», щоб перезапустити трактор, щоб перевірити, чи трактор запускається. Якщо ні, зверніться до Центру обслуговування клієнтів EGO щодо ремонту.
	<ul style="list-style-type: none"> Вага оператора нерівномірно розподілена по сидінню. Вага оператора на сидінні має бути не менше 20 кг, щоб система захисного блокування сидіння працювала належним чином. 	<ol style="list-style-type: none"> Правильно сядьте на сидіння, повністю натисніть на педаль стоянкового гальма й відпустіть її, після чого трактор буде готовий до руху. За необхідності від'єднайте та знову підключіть акумулятори.
	<ul style="list-style-type: none"> Коли педаль гальма стоянки буде натиснута достатньо, але не буде зафіксована в положенні стоянки, трактор зупиниться. 	<ul style="list-style-type: none"> Щоб перезапустити трактор, дотримуйтеся вказівок у розділі «ЗАПУСК ТРАКТОРА».
Електричний газонний трактор не запускає леза після активації перемикача вала відбору потужності.  Значок перемикача вала відбору потужності блимає	<ul style="list-style-type: none"> Сумарна ємність усталених батарей не відповідає вимогам. 	<ul style="list-style-type: none"> Для запуску цього трактора використовуйте достатню кількість акумуляторних батарей EGO, дотримуючись інструкцій, наведених у розділі "УСТАНОВЛЕННЯ І ВИДАЛЕННЯ АКУМУЛЯТОРА" цього посібника.
	<ul style="list-style-type: none"> Перемикач вала відбору потужності не був натиснутий, коли трактор востаннє вимикався. 	<ul style="list-style-type: none"> Натисніть перемикач вала відбору потужності вниз, а потім вгору, щоб перезапустити мотор лез.
	<ul style="list-style-type: none"> Трактор перевантажений у момент початку обертання ножів, що призводить до спрацювання самозахисту моторів лез. 	<ul style="list-style-type: none"> Спочатку почніть косити траву на нижчій швидкості лез і не збільшуйте швидкість лез, доки леза не почнуть нормально обертатися.
	<ul style="list-style-type: none"> У дуже холодну погоду мотор лез може не запуститися через захист від низьких температур. 	<ul style="list-style-type: none"> Завжди зберігайте трактор і акумулятори в теплом місці. Перезапустіть трактор, коли він прогріється. Не робіть повторних спроб у дуже холодну погоду, оскільки це може призвести до пошкодження машини.
	<ul style="list-style-type: none"> Лезо зачіпає деформовану деку трактора. 	<ul style="list-style-type: none"> Зверніться до Центру обслуговування клієнтів EGO щодо ремонту.
	<ul style="list-style-type: none"> Укладальник для трави встановлений неправильно. 	<ul style="list-style-type: none"> Установіть укладальник для трави належним чином, дотримуючись вказівок у розділі «УСТАНОВЛЕННЯ УКЛАДАЛЬНИКА ДЛЯ ТРАВИ» в посібнику.

НЕСПРАВНІСТЬ	ПРИЧИНА	ВИРІШЕННЯ
Леза перестають обертатися під час косіння трави.	<ul style="list-style-type: none"> Трактор перевантажено. 	<ul style="list-style-type: none"> Збільште висоту різання деки або зменште швидкість руху, щоб знизити навантаження на трактор.
	<ul style="list-style-type: none"> Дека забита травою та сміттям. 	<ul style="list-style-type: none"> Очистьте деку та переконайтеся, що леза мають свободу руху.
	<ul style="list-style-type: none"> Трактор перегрітий. 	<ul style="list-style-type: none"> Зменште навантаження на трактор, збільшивши висоту різання деки або знизивши швидкість лез/руху і дайте трактору охолонути.
	<ul style="list-style-type: none"> Акумуляторна батарея(-ї) в акумуляторному відсіку трактора перегрівається, у результаті чого сумарна ємність усіх вставлених акумуляторів не відповідає вимогам 	<ol style="list-style-type: none"> Трактор може продовжувати працювати, якщо сумарна ємність акумуляторів, виключаючи перегріту акумуляторну батарею, відповідає вимогам. Щойно перегріта батарея повернеться до нормальної температури, вона негайно ввімкне живлення трактора. Якщо сумарна ємність акумуляторів не відповідає вимогам, трактор не працюватиме, доки у вільні акумуляторні відсіки не буде вставлено більше акумуляторних батарей. Зменште навантаження на трактор, збільшивши висоту стрижіння деки або знизивши швидкість руху під час поновлення роботи.
	<ul style="list-style-type: none"> Трактор перебуває в аварійному режимі. 	<ul style="list-style-type: none"> Коли трактор перебуває в аварійному режимі, ножі автоматично перемикаються на низьку швидкість обертання. Оператор повинен припинити роботу і якомога швидше проїхати в зону заряджання акумулятора.
	<ul style="list-style-type: none"> Трактор стикається зі стороннім предметом, що призводить до самозахисту двигуна. 	<ul style="list-style-type: none"> Натисніть перемикач вала відбору потужності вниз, а потім вгору, щоб перезапустити мотор лез.
	<ul style="list-style-type: none"> Трактор рухається заднім ходом, при цьому на РК-дисплеї світиться піктограма «КОСІННЯ ЗАДНІМ ХОДОМ ВИМКНЕНО». 	<ul style="list-style-type: none"> Натисніть перемикач вала відбору потужності вниз і перезапустіть мотори лез, дотримуючись вказівок у розділі «Увімкнення КОСІННЯ ЗАДНІМ ХОДОМ».
Звуковий сигнал продовжує лунати.	<ul style="list-style-type: none"> Трактор перебуває в аварійному режимі, і леза не вимкнені. 	<ul style="list-style-type: none"> Натисніть перемикач вала відбору потужності вниз, щоб вимкнути мотори лез. Звуковий індикатор перестане видавати звукові сигнали, коли мотори лез буде вимкнено.
	<ul style="list-style-type: none"> Трактор припиняє рух по схилі, оператор підводиться із сидіння, не встановивши педаль гальма стоянки в положення стоянки. 	<ul style="list-style-type: none"> Перед тим як залишити трактор на схилі, встановіть педаль стоянкового гальма в положення стоянки.
Індикатори живлення на акумуляторних батареях усе ще світяться, коли трактор вимкнений.	<ul style="list-style-type: none"> Коли трактор вимкнено на рівній поверхні без виймання акумулятора(-ів) з трактора, індикатори живлення ще деякий час світяться. 	<ul style="list-style-type: none"> Жодних дій не потрібно. Індикатори акумулятора згаснуть, коли трактор вимкнеться через деякий час. Конкретний час див. у розділі «ЗУПИНКА ТРАКТОРА»
	<ul style="list-style-type: none"> Якщо зупинити трактор на схилі, не поставивши на стоянкове гальмо, індикатори живлення на акумуляторних батареях залишаються ввімкненими до повного виснаження заряду акумулятора. Звуковий індикатор продовжує при цьому подавати звукові сигнали. 	<ul style="list-style-type: none"> Перед тим як залишити трактор на схилі, установіть педаль стоянкового гальма в положення стоянки. Інакше трактор може сповзати вниз по схилі.

НЕСПРАВНІСТЬ	ПРИЧИНА	ВИРІШЕННЯ
РК-екран не світиться, коли всі значки ввімкнено.	<ul style="list-style-type: none"> Кнопка «Пуск/стоп» натиснута недостатньо довго. 	<ol style="list-style-type: none"> На РК-екрані відображається «Показчик рівня палива» тільки під час короткого натискання кнопки «Пуск/Стоп». РК-екран увімкнеться після повного натискання педалі стоянкового гальма та одночасного натискання кнопки «Пуск/стоп» протягом достатнього часу.
	<ul style="list-style-type: none"> Якщо на РК-екрані блимає значок запобіжного ключа, «», це означає, що запобіжний ключ не вставлено. 	<ul style="list-style-type: none"> Вставте ключ безпеки, потім повністю натисніть педаль стоянкового гальма й натисніть і утримуйте кнопку «Пуск/стоп» протягом достатнього часу одночасно для ввімкнення РК-екрана.
	<ul style="list-style-type: none"> Коли на РК-екрані блимає значок стоянкового гальма «», це означає, що педаль стоянкового гальма натиснута не до кінця. 	<ul style="list-style-type: none"> Вставте ключ безпеки, потім повністю натисніть педаль стоянкового гальма й натисніть і утримуйте кнопку «Пуск/стоп» протягом достатнього часу одночасно для ввімкнення РК-екрана.
Трактор косить нерівномірно, зі значною різницею по висоті спереду і ззаду.	<ul style="list-style-type: none"> Леза затупились. 	<ul style="list-style-type: none"> Заточіть або замініть ріжучі леза, як зазначено в цій інструкції.
	<ul style="list-style-type: none"> Леза погнуті. 	<ul style="list-style-type: none"> Замініть погнуті ріжучі леза, дотримуючись вказівок у розділі «Заміна ріжучих лез».
	<ul style="list-style-type: none"> Дека не вирівняна, що призводить до різної висоти ріжучого леза. 	<ul style="list-style-type: none"> Вирівняйте дека, дотримуючись вказівок у розділі «Вирівнювання деки».
Фактична висота скошування трави не відповідає заявленій висоті.	<ul style="list-style-type: none"> Ослаблені гайки деки на приводі підвіски. 	<ul style="list-style-type: none"> Дотримуйтесь інструкцій у розділі «Вирівнювання деки», щоб виконати правильне регулювання деки трактора спереду назад, і надійно затягніть чотири гайки на приводі підвіски.
	<ul style="list-style-type: none"> Дека пошкоджена або серйозно зношена. 	<ul style="list-style-type: none"> Дотримуйтесь інструкцій у розділі «Зняття деки», щоб замінити дека трактора.
Трактор не мульчує належним чином.	<ul style="list-style-type: none"> Обрізки мокрої трави приклеюються до нижньої поверхні деки. 	<ul style="list-style-type: none"> Зачекайте, доки трава не висохне, перед косінням.
	<ul style="list-style-type: none"> Трактор налаштований для зрізання занадто великої кількості трави за раз. 	<ul style="list-style-type: none"> Підніміть дека, щоб установити вищу висоту зрізання.
Надмірна вібрація.	<ul style="list-style-type: none"> Ріжучі леза ослабли. 	<ul style="list-style-type: none"> Затягніть болт леза з рекомендованим моментом.
	<ul style="list-style-type: none"> Леза погнуті. 	<ul style="list-style-type: none"> Замініть погнуті ріжучі леза, дотримуючись вказівок у розділі «Заміна ріжучих лез».
	<ul style="list-style-type: none"> Дека не вирівняна. 	<ul style="list-style-type: none"> Вирівняйте дека трактора, дотримуючись вказівок у розділі «Вирівнювання деки».
	<ul style="list-style-type: none"> Ослаблені гайки деки на приводі підвіски. 	<ul style="list-style-type: none"> Затягніть гайки на приводі підвіски.
	<ul style="list-style-type: none"> Дека встановлена для зрізання занадто великої кількості трави за раз. 	<ul style="list-style-type: none"> Підніміть дека, щоб установити вищу висоту зрізання.
Після стрижки на землі залишилася трава або сміття.	<ul style="list-style-type: none"> Трактор налаштований на зрізання занадто великої кількості трави за раз, якщо трава висока. 	<ul style="list-style-type: none"> Почніть із великої висоти різання та зменшуйте її, доки не отримаєте бажаний результат косіння. Траву висотою більше 152 мм слід косити двічі, послідовно зменшуючи висоту різання.
	<ul style="list-style-type: none"> Трава мокра. 	<ul style="list-style-type: none"> Не косіть, коли трава волога. Дочекайтеся, доки трава висохне.
	<ul style="list-style-type: none"> Швидкість руху висока. 	<ul style="list-style-type: none"> Зменште швидкість руху.
	<ul style="list-style-type: none"> Швидкість лез низька. 	<ul style="list-style-type: none"> Поступово збільшуйте швидкість лез.

НЕСПРАВНІСТЬ	ПРИЧИНА	ВИРІШЕННЯ
Короткий час роботи трактора з комплектними акумуляторами.	<ul style="list-style-type: none"> Рельєф газону, стан трави, встановлення висоти косіння, швидкість руху, швидкість ножа тощо сильно впливають на час роботи. 	<ul style="list-style-type: none"> Підніміть висоту різання деки і зменште швидкість лез, щоб зменшити навантаження під час різання.
Трактор їде не по прямій.	<ul style="list-style-type: none"> Тиск у шинах лівого і правого коліс різний. 	<ul style="list-style-type: none"> Перевірте та відрегулюйте тиск повітря в шинах передніх і задніх коліс відповідно до рекомендацій у розділі «ТЕХНІЧНІ ХАРАКТЕРИСТИКИ» цього посібника.
Педаль гальма стоянки не може бути відпущена з положення стоянкового гальма або повільно повертається у вихідне положення.	<ul style="list-style-type: none"> Хід педалі стоянкового гальма перешкоджається засміченням. 	<ul style="list-style-type: none"> Перевірте і видаліть сміття.
Трактор не може заряджатися через зарядний порт, коли індикатор стану трактора постійно горить червоним.	<ul style="list-style-type: none"> Штекер зарядного пристрою неправильно вставлений у зарядний порт трактора. 	<ul style="list-style-type: none"> Знову підключіть вилку зарядного пристрою, щоб перевірити, чи трактор заряджається у звичайному режимі.
	<ul style="list-style-type: none"> У розетках немає електрики. 	<ul style="list-style-type: none"> Жодних дій не потрібно. Зачекайте, доки подача живлення не відновиться.
	<ul style="list-style-type: none"> Несправність зарядного пристрою. 	<ul style="list-style-type: none"> Зверніться до центру обслуговування клієнтів EGO й попросіть кваліфікованого фахівця перевірити та/або відремонтувати зарядний пристрій, якщо це необхідно.
	<ul style="list-style-type: none"> Порт зарядного пристрою на тракторі несправний. 	<ul style="list-style-type: none"> Зверніться до Центру обслуговування клієнтів EGO щодо ремонту.
Заряджання через зарядний порт трактора займає забагато часу.	<ul style="list-style-type: none"> Заряджання за допомогою адаптера EGO ACA1000 займає багато часу. 	<ul style="list-style-type: none"> Використовуйте зарядний пристрій EGO CHV1600E для безпосереднього заряджання електричного газонного трактора.
Акумулятори не можуть бути повністю заряджені через зарядний порт трактора.	<ul style="list-style-type: none"> Помилка в прошивці трактора, акумуляторної батареї або несправність зарядного пристрою. 	<ul style="list-style-type: none"> Скиньте зарядний пристрій, від'єднавши його від розетки, і почекайте кілька хвилин. Потім знову підключіть вилку до джерела живлення. Якщо це не вирішить проблему, зателефонуйте до Центру обслуговування клієнтів EGO.
Трактор не запускається після очищення.	<ul style="list-style-type: none"> Неправильна очищення, наприклад, потрапляння води на електричні компоненти, РК-екран тощо. 	<ol style="list-style-type: none"> Дотримуйтеся вказівок у розділі «ЗАГАЛЬНЕ ОБСЛУГОВУВАННЯ», щоб правильно очистити трактор. Якщо трактор випадково потрапив під дощ, дайте йому висохнути або висушіть його стисненим повітрям.
Дека швидко забивається.	<ul style="list-style-type: none"> Деку не очищено належним чином після попереднього використання. 	<ul style="list-style-type: none"> Очищайте деку трактора після кожного використання, дотримуючись вказівок у розділі «Використання промивного отвору для очищення деки».
Трактор легко втрачає тягу під час підйому по схилу.	<ul style="list-style-type: none"> Зношені шини задніх коліс. 	<ul style="list-style-type: none"> Зверніться до місцевого сервісного центру для заміни колісних шин.
	<ul style="list-style-type: none"> Косіння на крутому схилі. 	<ul style="list-style-type: none"> Трактор не можна використовувати для косіння на схилах, крутизна яких перевищує вказану.
Коли трактор зупиняється на схилі з натиснутою педаллю стоянкового гальма, трактор може скотитися вниз по схилу.	<ul style="list-style-type: none"> Компоненти гальма надмірно зношені через неправильну експлуатацію трактора. 	<ul style="list-style-type: none"> Зверніться до Центру обслуговування клієнтів EGO щодо ремонту.
Під час спроби помити деку з отвору для промивання не надходить вода.	<ul style="list-style-type: none"> Швидкокороз'ємне з'єднання промивного отвору не встановлено належним чином у промивний отвір. 	<ul style="list-style-type: none"> Знову прикріпіть швидкокороз'ємне з'єднання промивного отвору, доки не почуєте чітке клацання після сильного натискання. Якщо це не спрацює, зателефонуйте в службу підтримки клієнтів EGO.

НЕСПРАВНІСТЬ	ПРИЧИНА	ВИРІШЕННЯ
Якщо штовхати трактор вручну, не запускаючи його, чути ненормальний звук.	<ul style="list-style-type: none"> Магніти всередині приводного двигуна видають звуки. 	<ul style="list-style-type: none"> Це нормально, нічого не потрібно робити.
Кермове колесо не повертається.	<ul style="list-style-type: none"> Кермове колесо в зборі засмічено. 	<ul style="list-style-type: none"> Перевірте і видаліть сміття.
Трактор не повертається ліворуч/праворуч під час повертання кермового колеса.	<ul style="list-style-type: none"> Вихід із ладу електронних або механічних компонентів. 	<ul style="list-style-type: none"> Зверніться до Центру обслуговування клієнтів EGO щодо ремонту.
Трактор не зупиняється під час відпускання педалі акселератора.	<ul style="list-style-type: none"> Повернення педалі акселератора перешкоджається засміченням. 	<ul style="list-style-type: none"> Перевірте і видаліть сміття.
	<ul style="list-style-type: none"> Кнопку CCS неавтоматично натиснуто під час руху. Трактор працює в режимі круїз-контролю 	<ul style="list-style-type: none"> Перевірте, чи значок CCS світиться на РК-екрані, і за потреби вийдіть із режиму CCS. Зверніться до розділу «ВИКОРИСТАННЯ КРУІЗ-КОНТРОЛЮ (CCS)»
Функція CCS не вмикається або не вимикається.	<ul style="list-style-type: none"> Кнопка CCS не натиснута належним чином. 	<ul style="list-style-type: none"> Натискайте кнопку CCS, доки піктограма CCS не засвітиться на РК-екрані або не зникне з РК-екрана.
Передні колеса трактора обертаються з ненормальним шумом	<ul style="list-style-type: none"> Втулки валів передніх коліс потребують змащення. 	<ul style="list-style-type: none"> Зніміть акумуляторні батареї, а потім заповніть впорскувальні отвори мастилом, доки мастило не вийде за верхній або нижній край втулок валів передніх коліс.





ДОВІДКА ЩОДО СТАНІВ ТРАКТОРА

РК-екран	Опис	Індикатор стану трактора	Індикатор аудіо	Причина	Вирішення
	Значок рівня заряду	ВИМКНЕНО	Ні	Показує середню смність заряду вставлених акумуляторів.	Це нормальна робота. Жодних дій не потрібно.
	Піктограма годинного лічильника	ВИМКНЕНО	Ні	Показує загальний час руху трактора в годинах і не може бути скинутий.	Це нормальна робота. Жодних дій не потрібно.
	Значок індикатора навантаження	ВИМКНЕНО	Ні	Показує поточне навантаження трактора.	Це нормальна робота. Жодних дій не потрібно.
	На РК-екрані світиться значок світлодіодних ліхтарів.	ВИМКНЕНО	Ні	Фари вмикаються за допомогою вимикача світлодіодних ліхтарів.	Це нормальна робота. Жодних дій не потрібно.
	На РК-екрані світиться значок Bluetooth	ВИМКНЕНО	Ні	Трактор підключено до мобільного пристрою через Bluetooth.	Це нормальна робота. Жодних дій не потрібно.
	На РК-екрані світиться значок «КОСІННЯ ЗАДНІМ ХОДОМ ВИМКНЕНО».	ВИМКНЕНО	Ні	Це означає, що леза не можуть бути ввімкнені, коли трактор рухається заднім ходом.	Це нормальна робота. За необхідності ввімкніть леза під час руху заднім ходом, дотримуючись вказівок у розділі «УВІМКНЕННЯ ЛЕЗ ПІД ЧАС РУХУ ЗАДНІМ ХОДОМ» у посібнику.
	Значок руху вперед відображається на РК-екрані.	ВИМКНЕНО	Ні	Це вказує на те, що трактор може рухатися або рухається вперед.	Це нормальна робота. Установіть важіль керування напрямком руху в положення «D», нейтральне положення або »R« відповідно до потреби.
	Значок заднього ходу світиться на РК-екрані.	ВИМКНЕНО	Ні	Це вказує на те, що трактор може рухатися або рухається назад.	
	Значок руху вперед і значок заднього ходу блимають по черзі	ВИМКНЕНО	Ні	Це означає, що трактор не може рухатися.	
	Значок запобіжного ключа світиться	ВИМКНЕНО	Ні	Запобіжний ключ вставлено правильно.	Це нормальна робота. Жодних дій не потрібно.
	Значок запобіжного ключа блимає, коли на РК-екрані відображається індикатор рівня заряду.	ВИМКНЕНО	Ні	Запобіжний ключ не вставлено.	Вставте запобіжний ключ, потім повністю натисніть на педаль стоянкового гальма й одночасно натисніть кнопку «ПУСК/СТОП» і утримуйте її більше 3 секунд, щоб увімкнути трактор.
				Блок панелі керування зламаний.	Зверніться до Центру обслуговування клієнтів EGO щодо ремонту.

РК-екран	Опис	Індикатор стану трактора	Індикатор аудіо	Причина	Вирішення
	Значок стоянкового гальма блимає, коли на РК-екрані відображається індикатор рівня заряду.	ВИМКНЕНО	Ні	Педаля стоянкового гальма не натиснута.	Коли запобіжний ключ вставлено, повністю натисніть на педаль стоянкового гальма й одночасно натисніть кнопку «ПУСК/СТОП» і утримуйте її більше 3 секунд, щоб увімкнути трактор.
	Значок стоянкового гальма блимає, коли на РК-екрані відображається інтерфейс оператора.	ВИМКНЕНО	Ні	Натисніть педаль акселератора перед тим, як натиснути педаль стоянкового гальма, щоб індикатор трактора засвітився зеленим кольором.	Запустіть трактор правильно, дотримуючись вказівок у розділі «ЗАПУСК ТРАКТОРА».
	Значок стоянкового гальма світиться	ВИМКНЕНО	Ні	Педаля стоянкового гальма встановлена в положення стоянки.	Відпустіть її перед запуском трактора.
	Значок датчика сидіння світиться	ВИМКНЕНО	Ні	Оператор залишає сидіння, або відключається система захисного блокування сидіння.	Якщо оператор сидить на сидінні і значок горить, негайно припиніть роботу з трактором і перевірте з'єднання сидіння. Якщо підтверджено, що з'єднання сидіння з трактором правильне, зверніться до кваліфікованого фахівця з технічного обслуговування.
	Значок перемикача вала відбору потужності блимає	ВИМКНЕНО	Ні	Робота мотора лез була перервана, і перемикач вала відбору потужності не встановлено в положення «вимкнено».	Перед перезапуском трактора натисніть перемикач вала відбору потужності вниз, щоб вимкнути мотори лез. Для довідки див. розділ «УСУНЕННЯ НЕСПРАВНОСТЕЙ» цього посібника.
	Значок певного батарейного відсіку блимає.	ВИМКНЕНО	Ні	Певний акумулятор під час розрядження перевантажений по струму.	Жодних дій не потрібно. Трактор може продовжувати працювати, якщо сумарна ємність акумуляторів, за винятком перевантаженої по струму акумуляторної батареї, дорівнює або перевищує 15 А·год. Щойно перевантажена по струму батарея повернеться в нормальний стан, вона негайно підключиться до живлення трактора і значок зникне.
	Значок порожнього батарейного відсіку блимає	ВИМКНЕНО	Ні	Ємності акумулятора недостатньо для роботи трактора.	Для запуску цього трактора використовуйте достатню кількість акумуляторних батарей EGO, дотримуючись інструкцій, наведених у розділі «УСТАНОВЛЕННЯ І ВИДАЛЕННЯ АКУМУЛЯТОРА» цього посібника.

UK

РК-екран	Опис	Індикатор стану трактора	Індикатор аудіо	Причина	Вирішення
	Значок температури і зайнятого батарейного відсіку блимають одночасно.	ВИМКНЕНО	Ні	Акумуляторна батарея в батарейному відсіку з відповідним номером перегрілася.	<ol style="list-style-type: none"> Трактор може продовжувати працювати, якщо сумарна ємність акумуляторів, виключаючи перегріту акумуляторну батарею, відповідає вимогам. Щойно перегріта батарея повернеться до нормальної температури, вона негайно ввімкне живлення трактора. Якщо сумарна ємність акумуляторів не відповідає вимогам, трактор не працюватиме, доки у вільні акумуляторні відсіки не буде вставлено більше акумуляторних батарей. Зменште навантаження на трактор, збільшивши висоту стриження деки або знизивши швидкість руху під час поновлення роботи.
	Значок температури блимає.	ВИМКНЕНО	Один звуковий сигнал	Трактор перегрітий.	Зменште навантаження на трактор, збільшивши висоту різання деки або знизивши швидкість лез/руху. Зробіть перерву та дайте трактору охолонути.
	Значок сповіщення блимає	Блимає червоним	Один звуковий сигнал	Мотор лез перевантажено.	Збільште висоту різання деки або зменште швидкість руху, щоб знизити навантаження на трактор.
				Бічний випускний жолоб забивається травою і сміттям.	Очищайте боковий випускний жолоб після кожного використання.
				Є перешкода між лезом і декою трактора.	Зверніться до клієнтського сервісного центру EGO
	Значок кожного зайнятого батарейного відсіку та значок попередження одночасно блимають раз на 1 секунду на РК-екрані.	Блимає червоним	Подає звуковий сигнал, доки перемикач вала відбору потужності не буде натиснуто вниз.	Акумулятори розряджені, і трактор перебуває в аварійному режимі.	Припиніть роботу та поверніться в зону заряджання акумулятора. ПРИМІТКА. Коли трактор перебуває в аварійному режимі, ножі автоматично перемикаються на низьку швидкість обертання, і при цьому звуковий індикатор продовжуватиме видавати звуковий сигнал. Оператор повинен натиснути перемикач вала відбору потужності вниз, щоб вимкнути мотори лез. Звуковий індикатор перестане подавати звуковий сигнал після зупинки лез.

РК-екран	Опис	Індикатор стану трактора	Індикатор аудіо	Причина	Вирішення
	Значок кожного зайнятого батарейного відсіку та значок сповіщення блимають кожні півсекунди.	Блимає червоним	Продовжує видавати звуковий сигнал	Робота мотора лез була перервана, і перемикач вала відбору потужності не встановлено в положення «вимкнено».	Трактор негайно перестане працювати. Оператор повинен доставити трактор у зону заряджання акумулятора, щоб зарядити його.
	На РК-екрані світиться значок CCS	Світиться зеленим	Ні	Трактор продовжує рух із заданою швидкістю без необхідності натискати на педаль акселератора.	Це нормальна робота. За необхідності вимкніть функцію CCS, дотримуючись вказівок у розділі «Вимкнення круїз-контролю (CCS)» у посібнику.
	Значок USB блимає на РК-екрані.	ВИМКНЕНО	Ні	Функція CCS (система круїз-контролю) вийшла з ладу. Для зупинки трактора натиснуто на педаль стоянкового гальма.	Функцію CCS не можна встановити, коли трактор рухається на дуже низькій швидкості або їде заднім ходом. Після того як педаль стоянкового гальма відпущена, натисніть кнопку CCS, і на РК-дисплеї засвітиться значок CCS, або вимкніть функцію CCS, дотримуючись вказівок, наведених у розділі «Вимкнення круїз-контролю (CCS)».
	На РК-екрані не світиться значок укладальника	н/з	Ні	Це означає, що прес-укладальник для трави не встановлений на тракторі або встановлений неправильно.	Установіть укладальник для трави на трактор належним чином.
	На РК-екрані блимає значок заповненого укладальника.	н/з	Ні	Це вказує на те, що укладальник для трави заповнений.	Спорожніть укладальник для трави та належним чином установіть його на місце.
н/з	н/з	ВИМКНЕНО	Продовжує видавати звуковий сигнал	Трактор припаркований на схилі, і оператор залишає трактор, не встановивши педаль стоянкового гальма в положення стоянки.	Установіть педаль стоянкового гальма в положення стоянки. Загориться значок стоянкового гальма, і звукові сигнали припиняться.
ВИМКНЕНО	Несправність зарядного порту	Світиться ЧЕРВОНИМ	н/з	Немає живлення.	Перевірте розетку, чи є в ній напруга 220–240 В і чи розетка справна.
		Світиться ЧЕРВОНИМ	н/з	Несправності електроніки, такі як розімкнений ланцюг порту заряджання, перегорання запобіжника тощо.	Зверніться до Центру обслуговування клієнтів EGO щодо ремонту.

ДОВІДКА ЩОДО КОДІВ НЕСПРАВНОСТЕЙ

Опис	Код несправності на РК-дисплеї	Індикатор аудіо	Вирішення
Лівий мотор лез виходить із ладу під час обертання	509	Один звуковий сигнал	Спочатку огляньте лезо. Якщо воно ослаблене, затягніть болт із рекомендованим моментом затягування. В іншому разі зверніться до Центру обслуговування клієнтів EGO щодо ремонту.
Правий мотор лез виходить із ладу під час обертання	609	Один звуковий сигнал	

ПРИМІТКА. У разі появи на РК-екрані будь-яких інших кодів несправностей, які можуть вказувати на несправність друкованої плати, послаблення з'єднання, несправність приводного двигуна, моторів лез тощо, вийміть усі акумуляторні батареї та повторно вставте їх через кілька хвилин, щоб перезапустити трактор. Якщо це не вирішить проблему, запишіть код несправності та зверніться до центру обслуговування клієнтів EGO для ремонту.

ГАРАНТІЯ

ПРАВИЛА ГАРАНТІЇ EGO

Відвідайте веб-сайт egopowerplus.eu для отримання повного тексту умов гарантійної політики EGO.

ПРОЧЕТЕТЕ ВСИЧКИ ИНСТРУКЦИИ!



ПРОЧЕТЕТЕ РЪКОВОДСТВОТО НА ОПЕРАТОРА

СИМВОЛ ЗА БЕЗОПАСНОСТ

Целта на символите за безопасност е да привличат вниманието към възможни опасности. Символите за безопасност и обясненията към тях заслужават вашето повишено внимание и осъзнаване. Символите за безопасност сами по себе си не елиминират каквато и да е опасност. Инструкциите и предупрежденията, които предоставят не са заместители за подходящите мерки за предотвратяване на инцидент.

▲ ПРЕДУПРЕЖДЕНИЕ: Уверете се, че сте прочели и осъзнали всички инструкции за безопасност в това Ръководство на оператора, включително всички известяващи символи за безопасност, като „ОПАСНОСТ“, „ПРЕДУПРЕЖДЕНИЕ“ и „ВНИМАНИЕ“, преди да използвате този инструмент. Неспазването на всички инструкции изброени долу може да доведе до електрически удар, пожар и/или сериозно нараняване.

ЗНАЧЕНИЕ НА СИМВОЛИТЕ

Тази страница изобразява и описва символите за безопасност, които може да се появят по този продукт. Прочетете, осъзнайте и следвайте всички инструкции по машината преди предприемане на сглобяване и работа.

СИМВОЛИ ЗА БЕЗОПАСНОСТ



Сигнал за безопасност



Защита за очите



ОПАСНОСТ - заплаха от стръмен наклон



Никога не превозвайте деца



ПРЕДУПРЕЖДЕНИЕ – Не използвайте тази машина върху наклони, по-големи от 12°



ПРЕДУПРЕЖДЕНИЕ – ДРЪЖТЕ РЪЦЕТЕ И КРАКАТА СИ ДАЛЕЧ



Не стъпвайте



Този продукт е в съответствие с приложимите директиви на ЕС



Прочетете и разберете ръководството на оператора



Поддържайте устройствата за безопасност



ОПАСНОСТ - дръжте околните хора надалеч от ножовете



Гледайте назад при заден ход



ОПАСНОСТ - изхвърлени предмети



Гарантирано ниво на мощност на звука. Съгласно директивата на Европейската общност.



Отпадъчните електрически продукти не трябва да бъдат изхвърляни заедно с домакинския отпадък. Отнесете го до упълномощено място за рециклиране.



ВНИМАНИЕ - Не гледайте работната лампа.



Постоянен ток

kPa

Килопаскал

V

Волт

in

Инч

Nm

Нютон метър

°C

Целзий

km/h

Километра в час



Този продукт е в съответствие с приложимото законодателство на Великобритания.

RPM

Обороти в минута

m

Метри

cm

Сантиметри

mm

Милиметри

kg

Килограм

IPX4

Степен на защита от навлизане на вода

СИМВОЛИ, ИЗПОЛЗВАНИ В ТОВА РЪКОВОДСТВО



Информацията трябва да се отбележи



Посоченото действие се прекратява

СПЕЦИФИКАЦИИ

Напрежение	56 V	
Размер на платформата	98 см	
Размер на колелата	Предни	15 x 6 – 6 инча
	Задни	18 x 7,5 – 8 инча
Налягане при студени гуми	Предни	96,5 kPa
	Задни	170 kPa
Скорост на ножа (ОБ/МИН)	До 3000	
Максимална скорост на движение	Напред	До 9,6 км/ч
	Заден ход	до 4,8 км/ч
Регулиране височината на рязане (12 позиции)	25 – 100 mm	
Диапазон на температурата на зареждане	5 °C – 40 °C	
Работна температура	0°C – 40°C	
Температура на съхранение	-20°C – 70°C	
Тегло (без акумулаторна батерия)	220 кг	
Измерено ниво на сила на звука L_{WA}	97,7 dB(A) K=1,75 dB(A)	
Ниво на звуково налягане при ухото на оператора L_{PA}	83,6 dB(A) K=3 dB(A)	
Гарантирано ниво на сила на звука L_{WA} (измерено съгласно 2000/14/EC)	100 dB(A)	
Вибрации при h	Ръка	0,24 m/s ² K=1,5 m/s ²
	Тяло	0,18 m/s ² K=1,5 m/s ²

- Декларираният общ размер на вибрации е измерен в съответствие със стандартния метод за тест и може да бъде използван за сравнение между два инструмента;
- Декларираният общ размер на вибрации може също така да бъде използван за предварителна оценка на влиянието.

БЕЛЕЖКА: Вибрационните емисии по време на действителната употреба на електрическия инструмент може да се различават от декларираната стойност. С цел да се защити оператора, потребителят трябва да носи ръкавици и антифони в действителни условия на работа.

ПРЕПОРЪЧИТЕЛНИ АКСЕСОАРИ

▲ ПРЕДУПРЕЖДЕНИЕ: Използвайте само изброените по-долу аксесоари. Употребата на аксесоари, които не съответстват със спецификациите на стандартното оборудване, могат да доведат до неправилна работа и компрометирана безопасност.

ИМЕ НА ЧАСТ	НОМЕР НА МОДЕЛ
Комплект ножове за събиране	AB3801TD
Пробка за торене	AMP3800T

BG

ОПИСАНИЕ

ЗАПОЗНАЙТЕ СЕ С КОСАЧКАТА (Фиг. А1)

1. Седалка
2. Държачи на чаши
3. Задно колело (заддвижващо колело) (x2)
4. Отвор за измиване (x2)
5. Платформа
6. Анти-скалп колело (x2)

7. Предно колело (x2)
8. Предна броня
9. Педал на спирачката за паркиране
10. LED фар (x2)
11. Силов агрегат
12. Отделение за съхранение
13. Лост за заключване на спирачката за паркиране
14. Волан
15. Лост за регулиране на позицията на седалката
16. Торба за трева
17. Порт за зареждане
18. USB порт
19. Кошница за съхранение
20. Педал за газта
21. Лост за регулиране височината на платформата
22. Лост за накланяне
23. Ръкохватка
24. Индикатор за състоянието на тракторната косачка
25. Бутон за регулиране на скоростта на ножа
26. Бутон за КОСЕНЕ НА ЗАДЕН ХОД
27. Старт/стоп бутон
28. Лост за управление на посоката на движение
29. Ключ за безопасност
30. Превключвател на вала за отвеждане на мощност
31. Бутон за круиз контрол (CCS)
32. Бутон за LED светлина/бутон за Bluetooth
33. Бутон за регулиране на скоростта на движение
34. Бутон за освобождаване на капака на задвижването
35. Капак на задвижването
36. Захранващ блок с шест отделения за батерии
37. Бутон за освобождаване на батерията

ЗАПОЗНАВАНЕ С LCD ЕКРАНА (Фиг. А2)

Вижте раздела „СПРАВКА ЗА СЪСТОЯНИЕТО НА ТРАКТОРНАТА КОСАЧКА“ и „СПРАВКА ЗА КОДОВЕ ЗА НЕИЗПРАВНОСТИ“ за повече информация относно иконите и индикаторите на LCD екрана.

1. Икона CCS
2. Индикатор на статуса на предпазното устройство
3. Икона за ИЗКЛЮЧЕНО КОСЕНЕ НА ЗАДЕН ХОД
4. Икона за задвижване
5. Икона за заден ход
6. Икона на ключа за безопасност
7. Икона на LED светлините
8. Икона на Bluetooth
9. Индикатор на скоростта на ножа
10. Часомер
11. Индикатор за заряд
12. Икона за температура

13. Икона за предупреждение (претоварване/ниска мощност)
14. Икона за празно отделение за батерия
15. Икона за заето отделение за батерия
16. Индикатор за код за грешка
17. Индикатор на натоварването
18. Индикатор на скоростта на движение
19. Икона за пълна торба
20. Икона за липсваща торба

РАЗОПАКОВАНЕ

БЕЛЕЖКА: Запазете опаковъчните материали, докато не сте инспектирали внимателно и не работите задоволително с продукта. Ако някои части в опаковъчния лист са сглобени към машината, моля незабавно се свържете със сервиз на EGO.

БЕЛЕЖКА: С изключение на инструментите в опаковъчния лист, всички други инструменти, посочени в ръководството са само препоръчителни, но не са предоставени.

ОПАКОВЪЧЕН ЛИСТ (Фиг. В)

В-1	Електрическа тракторна косачка	В-2	Седалка
В-3	Волан	В-4	Капачка против прах
В-5	Комбиниран гаечни ключове	В-6	Вътрешен гаечен ключ – 18 мм
В-7	Коларски болтове (1 допълнителен)	В-8	Гайки М8 (1 допълнителна)
В-9	Гайки М12 (1 допълнителна)	В-10	Шайби (1 допълнителна)
В-11	Ключ за безопасност	В-12	Бърз съединител на отвора за измиване
В-13	Ръководство на оператора	В-14	Торба за трева (с два комплекта болт и гайка за страничните скоби)
В-15	U-образна скоба	В-16	Странична скоба
В-17	Лост за накланяне	В-18	Лява и дясна скоба за опора на торбата
В-19	Напречна греда	В-20	Болт М8Х40
В-21	Болт М8Х25	В-22	Гайка М8

МОНТАЖ

МОНТИРАНЕ НА ВОЛАНА (Фиг. С1)

C1-1	Кормилна колона	C1-2	Волан
C1-3	Централна линия	C1-4	Шайба
C1-5	Гайка	C1-6	Вътрешен гаечен ключ – 18 мм
C1-7	Капак против прах		

МОНТИРАНЕ НА СЕДАЛКАТА (Фиг. С2)

▲ ПРЕДУПРЕЖДЕНИЕ: Системата за предпазно блокиране не трябва да бъде изключвана или шунтирана. Ако направите това, косачката може да се задейства неочаквано и да причини нараняване на хора.

C2-1	Седалка	C2-2	Гайка (M8)
C2-3	Коларски болт	C2-4	Контакт
C2-5	Щепсел		

МОНТИРАНЕ НА ТОРБАТА ЗА ТРЕВА (Фиг. С3 – С8)

C3-1	U-образна скоба	C3-2	Торба
C3-2	4 комплекта болтове и гайки (M8 X 40)	C3-4	Комбиниран гаечен ключ
C4-1	Странични скоби	C4-2	4 комплекта болтове и гайки (M8 X 40)
C4-3	Комбиниран гаечен ключ	C5-1	Лост за накланяне
C5-2	1 комплект болт и гайка (M8 X 40)	C5-3	Комбиниран гаечен ключ
C6-1	Скоби за опора на торбата	C6-2	4 комплекта болтове и гайки (M8 X 25)
C6-3	Комбиниран гаечен ключ	C7-1	Напречна греда
C7-2	2 гайки (M8)	C7-3	Комбиниран гаечен ключ

РЕГУЛИРАНЕ

ПРЕДИ РЕГУЛИРАНЕ (Фиг. D1)

РЕГУЛИРАНЕ НА ВИСОЧИНАТА НА ПЛАТФОРМАТА ЗА КОСЕНЕ (Фиг. D2)

РЕГУЛИРАНЕ НА АНТИ-СКАЛП КОЛЕЛАТА (Фиг. D3 – D6)

D3-1	Анти-скалп колела	D5-1	Гайка
D5-2	Болт с халка	D6-1	Стикер за височината на платформата

РЕГУЛИРАНЕ НА СЕДАЛКАТА (Фиг. D7)

D7-1	Лост за регулиране на позицията на седалката
------	--

ЕКСПЛОАТАЦИЯ

ПРЕДИ РАБОТА (Фиг. E1)

НАСТРОЙКА НА СПИРАЧКАТА ЗА ПАРКИРАНЕ (Фиг. E2)

E2-1	Позиция за паркиране	E2-2	Освободена позиция
------	----------------------	------	--------------------

▲ ПРЕДУПРЕЖДЕНИЕ! ПЕДАЛЪТ НА СПИРАЧКАТА ЗА ПАРКИРАНЕ НЕ МОЖЕ ДА НАМАЛИ СКОРОСТТА НА ДВИЖЕНИЕ. НИКОГА НЕ СЕ ОПИТВАЙТЕ ДА НАТИСНЕТЕ ПЕДАЛА НА СПИРАЧКАТА ЗА ПАРКИРАНЕ, ЗА ДА НАМАЛИТЕ СКОРОСТТА НА ДВИЖЕНИЕ ПО ВРЕМЕ НА ШОФИРАНЕ. КОГАТО ПЕДАЛЪТ НА СПИРАЧКАТА ЗА ПАРКИРАНЕ Е НАТИСНАТ, НО НЕ Е ВКЛЮЧЕН В ПОЗИЦИЯ ЗА ПАРКИРАНЕ, ЕЛЕКТРИЧЕСКАТА СПИРАЧКА СПИРА ДА РАБОТИ И КОСАЧКАТА ЩЕ СПРЕ ДА СЕ ДВИЖИ НА РАВНА ПОВЪРХНОСТ. АКО ТОВА ОБАЧЕ СЕ СЛУЧИ НА НАКЛОН, КОСАЧКАТА МОЖЕ ДА СЕ ПЛЪЗНЕ НАДОЛУ ПО СКЛОНА СЛЕД ОТПУСКАНЕ НА ПЕДАЛА НА СПИРАЧКАТА ЗА ПАРКИРАНЕ.

▲ ПРЕДУПРЕЖДЕНИЕ: ИЗДЪРПАЙТЕ НАГОРЕ ЛОСТА ЗА ЗАКЛЮЧВАНЕ НА СПИРАЧКАТА ЗА ПАРКИРАНЕ И НЕЗАБАВНО НАТИСНЕТЕ ПЕДАЛА НА СПИРАЧКАТА ЗА ПАРКИРАНЕ, ЗА ДА Я ВКЛЮЧИТЕ В ПОЗИЦИЯ ЗА ПАРКИРАНЕ, В СЛУЧАЙ ЧЕ ВЪЗНИКНЕ АВАРИЙНА СИТУАЦИЯ, КОСАЧКАТА ЩЕ СПРЕ НЕЗАБАВНО И НЯМА ДА СЕ ПЛЪЗНЕ ПО СКЛОНА.

ПОСТАВЯНЕ/ИЗВАЖДАНЕ НА АКУМУЛАТОРНАТА БАТЕРИЯ (Фиг. E3 – E6)

За да стартирате тази косачка, са необходими батерии EGO от общо 15 Ah (2 X BA4200/BA4200T) или повече. За най-добра ефективност ние препоръчваме употребата на батерии EGO от общо 30 Ah или повече.

E3-1	Бутон за освобождаване на капака	E5-1	Бутон за освобождаване на батерията
------	----------------------------------	------	-------------------------------------

ЗАРЕЖДАНЕ НА КОСАЧКАТА

Използвайте единствено препоръчаните акумулаторни батерии и зарядни устройства.

- Зареждайте акумулаторната(ите) батерия(и) отделно (фиг. E7)

БЕЛЕЖКА: Обърнете се към съответните ръководства за батерии и зарядни устройства за подробни инструкции.

- Заредете батерията(ите) през порта за зареждане (фиг. E8 – E10)

E10-1	Капачка против прах	E10-2	Порт за зареждане
-------	---------------------	-------	-------------------

ТЕСТВАНЕ НА СИСТЕМАТА ЗА ПРЕДПАЗНА БЛОКИРОВКА

- a. За да тествате системата на ножовата платформа (фиг. E11 – E12)
- b. За да тествате системата за задвижване (фиг. E13 – E14)

Ако системата платформа-нож и/или системата за задвижване не спрат, когато операторът е станал от седалката и ако причината не може да бъде определена след уверяване, че щепселът и контактът а седалката са добре свързани, свържете се със своя потребителски сервизен център на EGO незабавно.

КОМУНИКАЦИОННА ТЕХНОЛОГИЯ

За информация относно пълната ни гама от свързани продукти и услуги, включително инструкции за свързване, моля, сканирайте QR кода по-долу или посетете www.egorowerplus.eu/connect.



ПРОВЕРКА ПРЕДИ РАБОТА

- Освободете работната зона от деца, околни хора или домашни любимци.
- Изчистете работната зона от предмети, които могат да бъдат изхвърлени от ножовете на тракторната косачка.
- Почистете остатъците от тракторната косачка.
- Проверете за разхлабени крепежни елементи.
- Проверете дали всички предпазители са на мястото си и работят правилно.
- Визуално проверете дали гумите са напомяни.
- Проверете работата на спирачката.
- Регулирайте височината на платформата до желаната позиция на косене, която е най-подходяща за моравата, и съответно регулирайте колелата против скалп.
- Регулирайте позицията на седалката и се уверете, че и двата педала могат да бъдат достигнати.
- Проверете нивото на заряд на батерията.
- Тествайте системата за предпазна блокировка.
- Уверете се, че торбата за трева е монтирана правилно.

СТАРТИРАНЕ НА ТРАКТОРНАТА КОСАЧКА (Фиг. E15 – E16)

▲ ПРЕДУПРЕЖДЕНИЕ! Избягвайте внезапни стартирания, спирания и завойи, както и прекомерна скорост, особено когато се учите да управлявате тракторната косачка. Тракторната косачка може да се завърти бързо, което може да причини загуба на управление и да доведе до сериозно нараняване и/или повреда.

▲ ПРЕДУПРЕЖДЕНИЕ: Преди стартиране на тракторната косачка проверете и се уверете, че ножовете се изключват в рамките на 5 сек, когато натискате превключвателя на вала за отвеждане на мощност надолу. Ако ножовете не спрат, не използвайте тракторната косачка и се свържете със своя потребителски сервиз на EGO незабавно.

БЕЛЕЖКА:

- Ако педалът на спирачката за паркиране е поставен в позицията за паркиране, трябва само да натиснете старт/стоп бутона за 3 секунди, за да светне LCD екранът, и след това да отпуснете педала на спирачката за паркиране, преди да задвижите тракторната косачка.
- Режещите ножове могат да бъдат задействани по всяко време, когато LCD екранът свети напълно и лостът за управление на посоката на движение не е издърпан назад в позиция „R“. За да задействате ножовете по време на движение на тракторната косачка на заден ход, вижте раздел „ЗАДЕЙСТВАНЕ НА НОЖОВЕТЕ ПРИ ДВИЖЕНИЕ НА ЗАДЕН ХОД“ в това ръководство.

БЕЛЕЖКА: Следвайте фиг. E17, за да постигнете най-ниската скорост на движение, докато не сте напълно способни да управлявате тракторната косачка във всички ситуации.

Електрическата тракторна косачка не запомня настройките за скоростта на движение и скоростта на ножа. Скоростта на движение и скоростта на ножа се връщат на ниво 2 при всяко изгасяне на тракторната косачка.

Регулиране на скоростта на движение (фиг. E17)

Регулиране на скоростта на ножа (фиг. E18)

БЕЛЕЖКА: Когато сте в „ниво 3“, натиснете отново бутона за регулиране на скоростта на ножа и тя ще се върне на предишната скорост.

LED светлини (фиг. 19)

- LED фаровете могат да се включват и изключват с помощта на превключвателя за LED светлини.

USB порт

БЕЛЕЖКА: USB портът осигурява зарядна мощност от 5 V постоянен ток при комбиниран ток от 1,5 A и работи само, когато тракторната косачка е стартирана.

СПИРАНЕ НА ТРАКТОРНАТА КОСАЧКА (Фиг. E20)

▲ ПРЕДУПРЕЖДЕНИЕ! Винаги поставяйте педала на спирачката за паркиране в позиция за паркиране, когато тракторната косачка спре да се движи по наклон, в противен случай тракторната косачка може да се плъзне по склона, което може да доведе до сериозни повреди на косачката или до телесни повреди!

БЕЛЕЖКА: В ситуация, при която педалът на спирачката за паркиране е поставен в позиция за паркиране и операторът е станал от седалката, но акумулаторните батерии не са извадени.

- В случай че LCD екранът е изключен, индикаторите за батерията, старт/стоп бутонът и бутонът CCS ще останат осветени в продължение на 1 час.
- В случай че на LCD екрана се появи „индикаторът за заряд“ или интерфейсът за оператора, тракторната косачка ще изгасне автоматично след 1 час.

Режим на аварийно прибиране

Когато зарядът на батерията стане критично нисък, тракторната косачка ще премине в режим аварийно прибиране, за да запази достатъчно енергия за пътуване обратно до зоната за зареждане.

- Ножовете се превключват на ниска скорост на въртене, която може да коси само много малко количество трева. При среща с висока и гъста трева, ножовете ще спрат да се въртят. Аудио индикаторът ще звучи (бипка) периодично.
- Индикаторът за състоянието на тракторната косачка ще мига в червено на всяка секунда, а иконата за предупреждение (ниска мощност) и иконата на всяко заето отделение за батерии ще мигат.

Операторът трябва:

- Натиснете превключвателя на ВОМ надолу, за да изключите двигателите на ножовете. Аудио индикаторът ще спре да звучи, когато двигателите на ножовете спрат.
- Спрете да работите и се придвижете до зоната за зареждане възможно най-скоро. Максималното разстояние, което тракторната косачка може да измине е 1000 м.

Когато батерията е почти изтощена, иконата за предупреждение (ниска мощност) и иконата на всяко заето отделение за батерия ще мигат на всяка половин секунда. Тракторната косачка ще спре да работи незабавно. Операторът ще трябва да транспортира тракторната косачка до зоната за зареждане за извършване на зареждане.

БЕЛЕЖКА: Ако е необходимо ръчно бутане, уверете се, че батериите са разкачени от тракторната косачка и педалът на спирачката за паркиране е освободен от позицията за паркиране.

УПРАВЛЕНИЕ НА ТРАКТОРНАТА КОСАЧКА (Фиг. E21)

▲ ОПАСНОСТ: Бъдете поне на две ширини на косачката далеч от канали, откоси или вода. Предните колела могат да се завъртят, когато тракторната косачка е спряна, даже и със задействана спирачка, и да предизвикат преминаване на косачката през ръба или попадане във водата, което може да доведе до смърт или сериозно телесни повреди.

▲ ПРЕДУПРЕЖДЕНИЕ! Не управлявайте тракторната косачка по обществени пътища.

▲ ПРЕДУПРЕЖДЕНИЕ! Ако възникне блокиране или ударите чужд предмет, спете двигателите и отстранете батериите. Отстранете изрезките от трева, листа, замърсявания и всички други насъбрали се отлагания; цялостно инспектирайте тракторната косачка за повреда и ремонтирайте повредата, преди да стартирате отново и да работите с тракторната косачка.

БЕЛЕЖКА:

- По време на шофиране, когато станете от седалката, индикаторът за състоянието на тракторната косачка ще се изключи. Когато отново започвате да шофирате, седнете обратно на седалката и натиснете докрай педала на спирачката за паркиране, за да светне индикаторът за състоянието на тракторната косачка в зелено.
- Когато по време на шофиране превключвате между движение напред и назад, премествайте лоста за управление на посоката на движение директно от единия до другия край, без да спирате в неутрална позиция, в противен случай тракторната косачка може да спре да се движи.


ИЗПОЛЗВАНЕ НА КРУИЗ КОНТРОЛ (CCS)



Активиране (задействане) на круиз контрол (CCS) (фиг. E22)

БЕЛЕЖКА: Нивото на скоростта на движение, показано на LCD екрана, може да не отразява точно действителната скорост на движение на тракторната косачка при круиз контрол. Натиснете бутона за регулиране на скоростта, за да „опресните“ нивото на скоростта на движение на LCD екрана.

За да спрете (деактивирате) круиз контрола (CCS), можете да изберете един от трите начина:

- Натиснете докрай педала на газта и не го отпуснете. Функцията за круиз контрол ще спре и тракторната косачка ще продължи да се движи.
- Натиснете леко педала на газта и след това го отпуснете. Тракторната косачка и функцията за круиз контрол ще спрат.
- Натиснете бутона за круиз контрол. Тракторната косачка и функцията за круиз контрол ще спрат.

БЕЛЕЖКА: Когато круиз контролът е спрян, иконата „“ ще изчезне от LCD екрана и ще прозвучи два пъти звуков сигнал.

БЕЛЕЖКА: Ако педалът на спирачката за паркиране е натиснат, тракторната косачка ще спре, но иконата „“ ще мига на LCD екрана, за да покаже, че круиз контролът е в режим на готовност. В този случай отпуснете педала на спирачката за паркиране и натиснете бутона за круиз контрол. Тракторната косачка ще се върне автоматично към движение и иконата „“ ще спре да мига.

ЗАДЕЙСТВАНЕ НА НОЖОВЕТЕ ПРИ ДВИЖЕНИЕ НА ЗАДЕН ХОД

БЕЛЕЖКА: Не се препоръчва косене на заден ход.


▲ ПРЕДУПРЕЖДЕНИЕ! Бъдете изключително внимателни, когато косите на заден ход. Винаги се уверявайте, че в работната зона не навлизат хора, особено малки деца, преди и по време на косене на заден ход.

▲ ПРЕДУПРЕЖДЕНИЕ! Видимостта на операторите може да бъде влошена при работа с тракторната косачка с поставен комплекта торби. Преди и по време на косене на заден ход винаги трябва да се подхожда с изключителна предпазливост и да се вземе под внимание познаването на обстановката.



Активиране (задействане) на КОСЕНЕ НА ЗАДЕН ХОД (E23)

За да спрете (деактивирате) КОСЕНЕТО НА ЗАДЕН ХОД, можете да изберете един от четирите начина:

- Натиснете веднъж бутона за КОСЕНЕ НА ЗАДЕН ХОД.
- Станете от седалката на тракторната косачка.
- Натиснете старт/стоп бутона за 3 секунди, за да изключите LCD екрана.
- Извадете ключа за безопасност или извадете акумулаторната(ите) батерия(и), за да изгасите тракторната косачка.

БЕЛЕЖКА: Когато КОСЕНЕТО НА ЗАДЕН ХОД бъде спряно, иконата „“ ще светне на LCD екрана.

ИЗПРАЗВАНЕ НА ТОРБАТА ЗА ТРЕВА (Фиг. E24)

БЕЛЕЖКА: Когато иконата „“ мига на LCD екрана, торбата за трева е пълна. След изпразване на торбата иконата „“ ще изчезне от LCD екрана.

БЕЛЕЖКА: Торбата за трева трябва да се постави правилно на тракторната косачка, в противен случай тракторната косачка може да се движи, но двигателите на ножовете не могат да се включат.

ПОДДРЪЖКА

▲ ПРЕДУПРЕЖДЕНИЕ! Винаги носете защита за очите със странични предпазни екрани. Ако не го направите може да доведе до изхвърляне на предмети към очите ви водещо до сериозни наранявания.

▲ ПРЕДУПРЕЖДЕНИЕ! Винаги защитете ръцете си, чрез носене на тежки ръкавици или чрез обвиване на острият ръбове с парцали или други материали, когато извършвате поддръжка на ножа на тракторната косачка. Винаги изваждайте ключа за безопасност и акумулаторните батерии, когато обслужвате или транспортирате тракторната косачка.

ПРЕПОРЪЧИТЕЛЕН(И) ГРАФИК(ЦИ) ЗА ПОДДРЪЖКА

Интервал за сервизна поддръжка	Процедура за поддръжка
Преди всяка употреба или ежедневно	<ul style="list-style-type: none"> ■ Проверка на системата за предпазна блокировка. ■ Визуално проверете дали гумите са напompани. ■ Огледайте ножовете. ■ Инспектирайте целия продукт за повредени, липсващи или разхлабени части, като улей за странично изпразване, винтове, гайки, болтове, капачки и др., като се уверите, че всички предпазители са на място и работят правилно. ■ Проверете и се уверете, че педалът на газта може да бъде натиснат и отпуснат правилно. ■ Проверете амортизатора на волана. Воланът трябва да се върти с определено съпротивление.
След всяка употреба	<ul style="list-style-type: none"> ■ Почистете тракторната косачка и измийте платформата.
На всеки 25 ч	<ul style="list-style-type: none"> ■ Проверете налягането на гумите.
На всеки 100 ч	<ul style="list-style-type: none"> ■ Проверете задните колела, като се уверите, че всички фиксиращи гайки са затегнати до препоръчителния момент на затягане (101 – 103 Nm). ■ Проверете предните колела, като се уверите, че гайката е затегната до препоръчителния момент на затягане (90 – 92 Nm).
На всеки 200 ч	<ul style="list-style-type: none"> ■ Проверете предните колела, като се уверите, че те се въртят свободно.
Полугодишно	<ul style="list-style-type: none"> ■ Проверете педала на спирачката за паркиране. Извадете акумулаторната батерия от тракторната косачка, след това издърпайте нагоре лоста за заключване на спирачката за паркиране и натиснете педала на спирачката за паркиране, за да я задействате. Избутайте ръчно тракторната косачка напред, за да проверите дали тракторната косачка може да бъде преместена, без задните колела да се въртят. Ако тракторната косачка се движи и задните колела се въртят едновременно, се свържете с центъра за обслужване на клиенти на EGO за ремонт.

Преди съхранение	<ul style="list-style-type: none"> ■ Извадете акумулаторните батерии от тракторната косачка. ■ Извадете ключа за безопасност от тракторната косачка. ■ Извършете всички процедури за поддръжка, изброени по-горе, и почистете старателно тракторната косачка. ■ Проверете целия продукт за повредени, липсващи или разхлабени части, сменете или затегнете съответните преди съхранение.
Ежегодно	<ul style="list-style-type: none"> ■ Смажете втулките на валове на предните колела.

ОБЩА ПОДДРЪЖКА

Изпразване на тревата (фиг. F1 – F3)

Почистване на корпуса на тракторната косачка (фиг. F4)

Използване на отвора за измиване за почистване на платформата на тракторната косачка (фиг. F5 – F6)

F5-1	Отвор за измиване	F5-2	Бърз съединител на отвора за измиване
F5-3	Градински маркуч		

БЕЛЕЖКА: Когато приключите с почистването, изключете напълно тракторната косачка и след това отстранете градинския маркуч и бързия съединител.

ПОДДРЪЖКА НА ПЛАТФОРМАТА НА ТРАКТОРНАТА КОСАЧКА И РЕЖЕЩИТЕ НОЖОВЕ

Подготовка (фиг. G1)

Премахване на платформата (фиг. G2 – G3)

G2-1	Кабел на двигателя	G2-2	Шплинт
G2-3	Лостове на окачването		

Замяна на режещите ножове (фиг. G4 – G6)

G4-1	Стабилизатор	G5-1	Болт
G5-2	Шайба	G5-3	Нож
G5-4	Фланец	G5-5	Вал на мотора

Нивелиране на платформата

- a. Кога да се нивелира (фиг. G7/фиг. G8/фиг. G9)
- b. Преди нивелиране
 - Проверка на налягането при студени думи (фиг. G10)
 - Проверете режещите ножове. Сменете и заменете износени, напукани и/или огънати ножове, ако е необходимо.
- c. Подготовка за нивелиране (фиг. G11)
- d. Как се нивелира
 - За да извършите регулировка на страна към страна (фиг. G12)
 - За да извършите регулировка на предната страна към задната (фиг. G13)

СЪХРАНЕНИЕ И ТРАНСПОРТ

ТРАНСПОРТИРАНЕ НА ТРАКТОРНАТА КОСАЧКА (Фиг. H1 – H5)

H2-1	Рампи	H2-2	Колани
------	-------	------	--------

БЕЛЕЖКА: Закрепете тракторната косачка според необходимостта, като използвате колани или въжета, за да предотвратите движение по време на транспортиране.

СЪХРАНЕНИЕ (Фиг. I1 – I2)

БЕЛЕЖКА: Отстранете и съхранявайте акумулаторните батерии поотделно съгласно съответните ръководства.

Почистете и проверете косачката преди съхранение като направите справка с разделите „ОБЩА ПОДДРЪЖКА“ и „ПРЕПОРЪЧИТЕЛНИ ГРАФИЦИ ЗА ПОДДРЪЖКА“.

Опазване на околната среда




ОЕЕО (Отпадъци от електрическо и електронно оборудване) Не изхвърляйте електрическо оборудване, използвана батерия или зарядно устройство в битовите отпадъци! Отнесете продукта до упълномощена фирма за рециклиране и го предоставете за отделно събиране. Електрическите инструменти трябва да бъдат връщани в съоръжения за рециклиране съвместими с околната среда.

ОТСТРАНЯВАНЕ НА ПРОБЛЕМИ

ПРОБЛЕМ	ПРИЧИНА	РЕШЕНИЕ
Електрическата тракторна косачка не се задвижва, когато педалът за газта е натиснат.	<ul style="list-style-type: none"> ■ Комбинираната стойност на Ah на поставените акумулаторни батерии не отговаря на изискването. 	<ul style="list-style-type: none"> ■ За да стартирате тази тракторната косачка, използвайте достатъчно акумулаторни батерии EGO, като спазвате инструкциите в раздел „МОНТИРАНЕ/ИЗВАЖДАНЕ НА АКУМУЛАТОРНАТА БАТЕРИЯ“ в това ръководство.
	<ul style="list-style-type: none"> ■ Педалът на спирачката за паркиране е поставен в спирачна позиция. 	<ul style="list-style-type: none"> ■ Натиснете докрай педала на спирачката за паркиране, за да го освободите от позицията за паркиране.
	<ul style="list-style-type: none"> ■ Индикаторът за състоянието на тракторната косачка не свети в зелено. 	<ul style="list-style-type: none"> ■ Натиснете педала на спирачката за паркиране и след това го отпуснете. Индикаторът за състояние на тракторната косачка ще светне в зелено, което означава, че тракторната косачка е готова за запалване.
	<ul style="list-style-type: none"> ■ Операторът не е седнал на седалката. 	<ul style="list-style-type: none"> ■ Тракторната косачка може да бъде управлявана само когато операторът е седнал правилно на седалката.
	<ul style="list-style-type: none"> ■ Системата за предпазна блокировка на седалката не е свързана правилно. 	<ul style="list-style-type: none"> ■ Извадете батериите от тракторната косачка и повдигнете задната част на седалката нагоре, за да се уверите, че кабелният щепсел е правилно свързан към гнездото в долната част на седалката (вж. глава „МОНТИРАНЕ НА СЕДАЛКАТА“). Следвайте инструкциите в „СТАРТИРАНЕ НА ТРАКТОРНАТА КОСАЧКА“, за да рестартирате тракторната косачка и да проверите дали тя може да бъде стартирана. В противен случай се свържете с център за обслужване на клиенти на EGO за ремонт.
	<ul style="list-style-type: none"> ■ При много студено време функцията движение може да не стартира успешно поради защитата срещу ниска температура. 	<ul style="list-style-type: none"> ■ Винаги съхранявайте тракторната косачка и батерията в топла среда. Рестартирайте тракторната косачка, когато е затоплена. Моля, не правете многократни опити при много студено време, което може да повреди машината.
	<ul style="list-style-type: none"> ■ Пътят на движение на педала на газта е задръстен с отломки. 	<ul style="list-style-type: none"> ■ Проверете и отстранете отломките
	<ul style="list-style-type: none"> ■ Повреда на механични или електронни компоненти на педала на газта. 	<ul style="list-style-type: none"> ■ Свържете се с център за обслужване на клиенти EGO за ремонт.
<ul style="list-style-type: none"> ■ Лостът за управление на посоката на движение е поставен в неутрална позиция. 	<ul style="list-style-type: none"> ■ Бутнете/издърпайте лоста за управление на посоката на движение в позиция „D“ или „R“. 	

ПРОБЛЕМ	ПРИЧИНА	РЕШЕНИЕ
Електрическата тракторна косачка спира да се движи.	<ul style="list-style-type: none"> Когато по време на шофиране превключвате между движение напред и назад, лостът за управление на посоката на движение остава дълго време в неутрална позиция. 	<ul style="list-style-type: none"> Отпуснете педала на газта и го натиснете отново.
	<ul style="list-style-type: none"> Повреда на електронни компоненти на педала на газта. 	<ul style="list-style-type: none"> Свържете се с център за обслужване на клиенти EGO за ремонт.
	<ul style="list-style-type: none"> Системата за блокиране на безопасността на седалката се разкачва по време на шофиране по неравен терен. 	<ul style="list-style-type: none"> Извадете батериите от тракторната косачка и повдигнете задната част на седалката нагоре, за да се уверите, че кабелният щепсел е правилно свързан към гнездото в долната част на седалката (вж. глава „МОНТИРАНЕ НА СЕДАЛКАТА“). Следвайте инструкциите в „СТАРТИРАНЕ НА ТРАКТОРНАТА КОСАЧКА“, за да рестартирате тракторната косачка и да проверите дали тя може да бъде стартирана. Свържете се с център за обслужване на клиенти на EGO за ремонт.
	<ul style="list-style-type: none"> Теглото на оператора не е равномерно разпределено върху седалката. Теглото на оператора върху седалката трябва да бъде най-малко 20 кг, за да функционира правилно системата за блокиране на безопасността на седалката. 	<ol style="list-style-type: none"> Седнете правилно на седалката, натиснете докрай педала на спирачката за паркиране и го отпуснете, след което тракторната косачка е готова за задвижване. Разкачете и поставете отново акумулаторните батерии, ако е необходимо.
	<ul style="list-style-type: none"> Ако педалът на спирачката за паркиране бъде натиснат достатъчно, но не бъде заключен в позиция за паркиране, тракторната косачка ще спре. 	<ul style="list-style-type: none"> Следвайте инструкциите в „СТАРТИРАНЕ НА ТРАКТОРНАТА КОСАЧКА“, за да рестартирате тракторната косачка.

ПРОБЛЕМ	ПРИЧИНА	РЕШЕНИЕ
<p>Електрическата тракторна косачка не успява да стартира ножовете, когато превключвателя на вала за отвеждане на мощност е задействан.</p> <p> Иконата на превключвателя на вала за отвеждане на мощност мига</p>	<ul style="list-style-type: none"> ■ Комбинираната стойност на Ah на поставените акумулаторни батерии не отговаря на изискването. 	<ul style="list-style-type: none"> ■ За да стартирате тази тракторната косачка, използвайте достатъчно акумулаторни батерии EGO, като спазвате инструкциите в раздел „МОНТИРАНЕ/ИЗВАЖДАНЕ НА АКУМУЛАТОРНАТА БАТЕРИЯ“ в това ръководство.
	<ul style="list-style-type: none"> ■ Превключвателят на вала за отвеждане на мощност не е бил натиснат надолу, когато тракторната косачка е била изгасена последния път. 	<ul style="list-style-type: none"> ■ Натиснете превключвателя на ВОМ надолу и след това нагоре, за да рестартирате двигателите на ножовете.
	<ul style="list-style-type: none"> ■ Тракторната косачка е претоварена в момента, в който ножовете започват да се въртят, задействайки самозащитата на двигателите на ножовете. 	<ul style="list-style-type: none"> ■ Първоначално започнете косенето на трева с по-ниска скорост на ножовете и не ускорявайте скоростта им, докато те не се завъртят успешно.
	<ul style="list-style-type: none"> ■ При много студено време моторът на ножа може да не стартира успешно поради защитата срещу ниска температура. 	<ul style="list-style-type: none"> ■ Винаги съхранявайте тракторната косачка и батерията в топла среда. Рестартирайте тракторната косачка, когато е затоплена. Моля, не правете многократни опити при много студено време, което може да повреди машината.
	<ul style="list-style-type: none"> ■ Ножът взаимодейства с деформираната платформа на тракторната косачка 	<ul style="list-style-type: none"> ■ Свържете се с център за обслужване на клиенти EGO за ремонт.
	<ul style="list-style-type: none"> ■ Торбата за трева не е монтирана правилно. 	<ul style="list-style-type: none"> ■ Монтирайте правилно торбата за трева, като следвате указанията в раздел „МОНТИРАНЕ НА ТОРБАТА ЗА ТРЕВА“ в ръководството.

ПРОБЛЕМ	ПРИЧИНА	РЕШЕНИЕ
Ножовете спират да се въртят по време на косене на трева.	<ul style="list-style-type: none"> Тракторната косачка е претоварена. 	<ul style="list-style-type: none"> Увеличете височината на рязане на платформата или забавете скоростта на движение, за да намалите натоварването на тракторната косачка.
	<ul style="list-style-type: none"> Платформата е запушена с трева и отпадъци. 	<ul style="list-style-type: none"> Почистете платформата и се уверете, че ножовете се движат свободно.
	<ul style="list-style-type: none"> Тракторната косачка е прегряла. 	<ul style="list-style-type: none"> Намалете натоварването на тракторната косачка чрез увеличаване на височината на косене на платформата или понижаване на скоростта на ножовете/движението и оставете тракторната косачка да се охлади.
	<ul style="list-style-type: none"> Батерията(ите) в отделението за батерии на тракторната косачка са прегрели, което води до комбинирани Ah на всички поставени батерии, които не отговарят на изискванията 	<ol style="list-style-type: none"> Тракторната косачка може да продължи да работи, ако комбинираната стойност на Ah, при изключена прегряла батерия отговаря на изискванията. Когато прегрялата батерия се върне към нормална температура, тя ще се включи незабавно към захранването на тракторната косачка. Ако комбинираните Ah на батериите не отговарят на изискванията, тракторната косачка няма да работи, докато не бъдат поставени повече акумулаторни батерии в празните отделения за батерии. Намалете натоварването на тракторната косачка чрез увеличаване на височината на косене на платформата или намаляване на скоростта на движение при възобновяване на работата.
	<ul style="list-style-type: none"> Тракторната косачка е в режим на аварийно прибиране. 	<ul style="list-style-type: none"> Когато тракторната косачка е в режим на аварийно прибиране, ножовете автоматично се превключват на по-ниска скорост на въртене. Операторът трябва да спре работа и да се придвижи до зоната за зареждане на батерията възможно най-скоро.
	<ul style="list-style-type: none"> Тракторната косачка е ударила чужд предмет, което е довело до сработване на защитата на двигателя. 	<ul style="list-style-type: none"> Натиснете превключвателя на BOM надолу и след това нагоре, за да рестартирате двигателите на ножовете.
	<ul style="list-style-type: none"> Тракторната косачка се движи на заден ход, като на LCD екрана свети иконата за ИЗКЛЮЧЕНО КОСЕНЕ НА ЗАДЕН ХОД. 	<ul style="list-style-type: none"> Натиснете превключвателя на вала за отвеждане на мощност надолу и рестартирайте двигателите на ножовете, като следвайте инструкциите в раздел „Активиране (задействие) на КОСЕНЕ НА ЗАДЕН ХОД“.
Аудио индикаторът продължава да звучи.	<ul style="list-style-type: none"> Тракторната косачка е в режим на аварийно прибиране и ножовете не са изключени. 	<ul style="list-style-type: none"> Натиснете превключвателя на BOM надолу, за да изключите двигателите на ножовете. Аудио индикаторът ще спре да звучи, когато двигателите на ножовете се изключат.
	<ul style="list-style-type: none"> Тракторната косачка спира движението по наклон и операторът става от седалката, без да постави педала на спирачката за паркиране в позиция за паркиране. 	<ul style="list-style-type: none"> Преди да оставите тракторната косачка върху склона, поставете педала на спирачката за паркиране в позиция за паркиране.

ПРОБЛЕМ	ПРИЧИНА	РЕШЕНИЕ
Индикаторите за захранване на акумулаторните батерии продължават да светят, когато тракторната косачка е изключена.	<ul style="list-style-type: none"> Когато тракторната косачка е изключена на терена без отстраняване на акумулаторната(ите) батерия(и) от него, индикаторите за захранване ще продължат да светят за определен период от време. 	<ul style="list-style-type: none"> Не е необходимо действие. Индикаторите за батерията ще угаснат, когато тракторната косачка се изключи след определен период от време. За конкретното време вижте раздела „СПИРАНЕ НА ТРАКТОРНАТА СПИРАЧКА“
	<ul style="list-style-type: none"> Когато тракторната косачка е изгасена върху склон, без да е задействана спирачката за паркиране, индикаторите за захранване на акумулаторните батерии ще продължат да светят до изчерпване на заряда на батерията. Звуковият индикатор ще продължи да звучи през същото време. 	<ul style="list-style-type: none"> Преди да оставите тракторната косачка върху склона, поставете педала на спирачката за паркиране в позиция за паркиране. В противен случай тракторната косачка може да се плъзне по склона.
LCD екран не е осветен с всички включени икони.	<ul style="list-style-type: none"> Старт/стоп бутонът не е натиснат достатъчно дълго време. 	<ol style="list-style-type: none"> LCD екранът ще покаже само „индикаторът за заряд“, когато старт/стоп бутонът бъде натиснат за кратко. LCD екранът ще се включи след натискане докрай на педала на спирачката за паркиране и едновременно натискане на старт/стоп бутона за достатъчно време.
	<ul style="list-style-type: none"> Когато иконата на ключа за безопасност „“ мига на LCD екрана, ключът за безопасност не е поставен. 	<ul style="list-style-type: none"> Поставете предпазния ключ, след това натиснете докрай педала на спирачка за паркиране и натиснете едновременно старт/стоп бутона за достатъчно време, за да включите LCD екрана.
	<ul style="list-style-type: none"> Когато иконата на спирачката за паркиране „“ мига на LCD екрана, педалът на спирачката за паркиране не е натиснат докрай. 	<ul style="list-style-type: none"> Поставете предпазния ключ, след това натиснете докрай педала на спирачка за паркиране и натиснете едновременно старт/стоп бутона за достатъчно време, за да включите LCD екрана.
Тракторът коси неравномерно, със значителна разлика във височината отпред и отзад.	<ul style="list-style-type: none"> Ножовете са тъпи. 	<ul style="list-style-type: none"> Заточете или заменете режещите ножове съгласно инструкциите в това ръководство.
	<ul style="list-style-type: none"> Ножовете са огънати. 	<ul style="list-style-type: none"> Заменете огънатия режещ нож съгласно инструкциите в раздела „Замяна на режещите ножове“.
	<ul style="list-style-type: none"> Платформата не е нивелирана, което води до различна височина на косене от ножа 	<ul style="list-style-type: none"> Нивелирайте платформата, като следвайте инструкциите в раздела „Нивелиране на платформата“.
Действителната височина на косене на тревата не е равна на желаната височина.	<ul style="list-style-type: none"> Гайките на платформата са разхлабени от лостовете на окачването. 	<ul style="list-style-type: none"> Следвайте инструкциите в раздела „Нивелиране на платформата“, за да направите правилната настройка на предната към задната част за платформата на тракторната косачка и затегнете добре гайките на лостовете на окачването.
	<ul style="list-style-type: none"> Платформата е повредена или сериозно износена. 	<ul style="list-style-type: none"> Следвайте инструкциите в раздела „Отстраняване на платформата“, за да отстраните платформата на косачката.
Тракторната косачка не тори правилно.	<ul style="list-style-type: none"> Отрязъци мокра трева са залепнали за долната част на платформата. 	<ul style="list-style-type: none"> Изчакайте докато тревата се изсуши преди косене.
	<ul style="list-style-type: none"> Тракторната косачка е настроена да реже твърде много трева наведнъж. 	<ul style="list-style-type: none"> Увеличете височината на косене на платформата.

ПРОБЛЕМ	ПРИЧИНА	РЕШЕНИЕ
Прекалено силни вибрации.	<ul style="list-style-type: none"> ■ Режещите ножове са разхлабени. 	<ul style="list-style-type: none"> ■ Затегнете болта на ножа до препоръчителния въртящ момент на затягане.
	<ul style="list-style-type: none"> ■ Ножовете са огънати. 	<ul style="list-style-type: none"> ■ Заменете огънатия режещ нож съгласно инструкциите в раздела „Замяна на режещите ножове“.
	<ul style="list-style-type: none"> ■ Платформата не е нивелирана. 	<ul style="list-style-type: none"> ■ Нивелирайте платформата на тракторната косачка, като следвате инструкциите в раздела „Нивелиране на платформата“.
	<ul style="list-style-type: none"> ■ Гайките на платформата са разхлабени от лостовете на окачването. 	<ul style="list-style-type: none"> ■ Затегнете гайките на лостовете на окачването.
	<ul style="list-style-type: none"> ■ Платформата е настроена да реже твърде много трева наведнъж. 	<ul style="list-style-type: none"> ■ Увеличете височината на косене на платформата.
Има трева или остатъци останали на земята след косене.	<ul style="list-style-type: none"> ■ Платформата е настроена да коси твърде много трева наведнъж, когато тревата е висока. 	<ul style="list-style-type: none"> ■ Започнете с висока височина на косете и я намалете до постигане на желания резултат от косенето. Трева над 152 мм висока трябва да бъде косена на два пъти с последователно намаляване на височината на косене.
	<ul style="list-style-type: none"> ■ Тревата е мокра. 	<ul style="list-style-type: none"> ■ Не косете, когато тревата е мокра. Изчакайте, докато тревата изсъхне.
	<ul style="list-style-type: none"> ■ Скоростта на движение е висока. 	<ul style="list-style-type: none"> ■ Забавете скоростта на движение.
	<ul style="list-style-type: none"> ■ Скоростта на ножа е ниска. 	<ul style="list-style-type: none"> ■ Увеличавайте скоростта на ножа постепенно.
Кратко време за работа на тракторната косачка с включените акумулаторни батерии.	<ul style="list-style-type: none"> ■ Тревният терен, състоянието на тревата, настройката на височината на косене, скоростта на движение, скоростта на ножа и т.н. ще повлияят значително върху времето за работа. 	<ul style="list-style-type: none"> ■ Увеличете височината на рязане на платформата или забавете скоростта на ножа, за да намалите натоварването при косене.
Тракторната косачка не се движи праволинейно.	<ul style="list-style-type: none"> ■ Налягането в гумите на лявото и дясното колело е различно. 	<ul style="list-style-type: none"> ■ Проверете и регулирайте налягането на въздуха както в предните, така и в задните гуми съгласно препоръката в раздел „СПЕЦИФИКАЦИИ“ в това ръководство.
Педалът на спирачката за паркиране не може да бъде освободен от позицията за паркиране или се връща бавно от пружината.	<ul style="list-style-type: none"> ■ Пътят на движение на педала на спирачката за паркиране е задръстен с отломки. 	<ul style="list-style-type: none"> ■ Проверете и отстранете отломките.
Тракторната косачка не може да бъде заредена през порта за зареждане с индикатор за състоянието на тракторната косачка, светещ постоянно в червено.	<ul style="list-style-type: none"> ■ Щепселът на зарядното устройство не е поставен правилно в порта за зареждане на тракторната косачка. 	<ul style="list-style-type: none"> ■ Свържете отново щепсела на зарядното устройство, за да видите дали тракторната косачка може да се зареди нормално.
	<ul style="list-style-type: none"> ■ Няма захранване в стенните контакти. 	<ul style="list-style-type: none"> ■ Не е необходимо действие. Изчакайте до възстановяване на захранването.
	<ul style="list-style-type: none"> ■ Неизправно зарядно устройство. 	<ul style="list-style-type: none"> ■ Свържете се с центъра за обслужване на клиенти на EGO и поискайте зарядното устройство да бъде проверено и/или ремонтирано, ако е необходимо, от квалифициран сервизен техник.
	<ul style="list-style-type: none"> ■ Портът на зарядното устройство на тракторната косачка е повреден. 	<ul style="list-style-type: none"> ■ Свържете се с център за обслужване на клиенти EGO за ремонт.
Времето на зареждане през порта за зареждане на тракторната косачка е твърде дълго.	<ul style="list-style-type: none"> ■ Употребата на адаптер EGO ACA1000 за зареждане изисква продължително време. 	<ul style="list-style-type: none"> ■ Използвайте зарядното устройство EGO CHV1600E за директно зареждане на електрическата тракторната косачка.

ПРОБЛЕМ	ПРИЧИНА	РЕШЕНИЕ
Батериите не могат да бъдат напълно заредени през порта за зареждане на тракторната косачка.	<ul style="list-style-type: none"> Грешка във фърмуера на тракторната косачка или на акумулаторната батерия, или повреда на зарядното устройство. 	<ul style="list-style-type: none"> Нулирайте зарядното устройство, като го изключите от контакта и изчакайте няколко минути. След това свържете отново щепсела към захранването. Ако това не реши проблема, обадете се в центъра за обслужване на клиенти на EGO.
Тракторната косачка не може да бъде стартирана след почистване.	<ul style="list-style-type: none"> Неправилно почистване като попадане на вода върху електрически компоненти, LCD екрана и др. 	<ol style="list-style-type: none"> Следвайте инструкциите в раздел „ОБЩА ПОДДРЪЖКА“, за да почистите правилно тракторната косачка. Ако случайно тракторната косачка я навали дъжд, я оставете на въздух да изсъхне или използвайте съгъстен въздух, за да я изсушите.
Платформата се запущва бързо.	<ul style="list-style-type: none"> Платформата не е била правилно почистена след предишна употреба. 	<ul style="list-style-type: none"> Почиствайте платформата на тракторната косачка след всяка употреба, като следвайте указанията в раздел „Използване на отвора за измиване за почистване на платформата“.
Тракторната косачка лесно губи сцепление, когато се изкачва нагоре по склон.	<ul style="list-style-type: none"> Гумите на задните колела са износени. 	<ul style="list-style-type: none"> Потърсете местен сервиз за замяна на гумите на колелата.
	<ul style="list-style-type: none"> Косене на стръмен наклон. 	<ul style="list-style-type: none"> Тракторната косачка не трябва да се използва за косене на склонове, по-стръмни от необходимите градуси.
Когато тракторната косачка е спряна на склон с натиснат педал на спирачката за паркиране, тракторната косачка може да потегли по инерция надолу по склона.	<ul style="list-style-type: none"> Спирачните компоненти са изключително износени поради неправилна работа на тракторната косачка. 	<ul style="list-style-type: none"> Свържете се с център за обслужване на клиенти EGO за ремонт.
Няма вода, идваща от порта за миене, когато се опитвате да измиете платформата.	<ul style="list-style-type: none"> Бързият съединител на порта за миене не е правилно монтиран към порта за миене. 	<ul style="list-style-type: none"> Свържете отново бързия съединител на порта за измиване, докато чуе ясно щракване след силно натискане. Ако това не води до резултат, обадете се на центъра за обслужване на клиенти на EGO.
При ръчно бутане на тракторната косачка, без да я стартирате, се чува необичаен звук.	<ul style="list-style-type: none"> Звукът идва от магнитите в задвижващия мотор. 	<ul style="list-style-type: none"> Това е нормално и не е необходимо никакво действие.
Воланът не може да се върти.	<ul style="list-style-type: none"> Възелът на волана е запущен с отломки. 	<ul style="list-style-type: none"> Проверете и отстранете отломките.
Тракторната спирачка не завива наляво/надясно при завъртане на волана.	<ul style="list-style-type: none"> Повреда на електронни или механични компоненти. 	<ul style="list-style-type: none"> Свържете се с център за обслужване на клиенти EGO за ремонт.
Тракторната спирачка не спира при отпускане на педала на газта.	<ul style="list-style-type: none"> Пътят на връщане на педала на газта е запущен с отломки. 	<ul style="list-style-type: none"> Проверете и отстранете отломките.
	<ul style="list-style-type: none"> Бутонът за круиз контрол е натиснат неволно по време на шофиране. Тракторната спирачка е в режим на круиз контрол 	<ul style="list-style-type: none"> Проверете дали иконата за круиз контрол свети на LCD екрана и излезте от круиз контрол, ако е необходимо. Обърнете се към глава „ИЗПОЛЗВАНЕ НА КРУИЗ КОНТРОЛ (CCS)“
Функцията круиз контрол не може да се активира или изключи.	<ul style="list-style-type: none"> Бутонът за круиз контрол не е натиснат правилно. 	<ul style="list-style-type: none"> Натиснете бутона за круиз контрол, докато иконата круиз контрол (CCS) светне на LCD екрана или изчезне от LCD екрана.
Предните колела на тракторната косачка се въртят с необичаен шум	<ul style="list-style-type: none"> Втулките на валове на предните колела се нуждаят от смазване. 	<ul style="list-style-type: none"> Извадете акумулаторните батерии и след това напълнете с грес отворите за впръскване, докато смазката прелее през горния или долния край на втулките на валове на предните колела.

СПРАВКА ЗА СЪСТОЯНИЕТО НА ТРАКТОРНАТА КОСАЧКА

LCD дисплей	Описание	Индикатор за състоянието на тракторната косачка	Индикатор на аудио	Причина	Решение
	Икона на индикатора за заряд	ИЗКЛ	Не	Тя показва средния капацитет на зареждане на поставените батерии	Това е нормална операция. Не е необходимо действие.
	Икона на часомера	ИЗКЛ	Не	Тя показва общото време на движение на тракторната косачка в часове и не може да бъде нулиран.	Това е нормална операция. Не е необходимо действие.
	Икона на индикатора за натоварване	ИЗКЛ	Не	Тя показва текущото натоварване на тракторната косачка.	Това е нормална операция. Не е необходимо действие.
	На LCD екрана светва иконата на LED светлините.	ИЗКЛ	Не	Фаровете се включват от превключвателя за LED светлини.	Това е нормална операция. Не е необходимо действие.
	На LCD екрана светва иконата на Bluetooth	ИЗКЛ	Не	Тракторната косачка е свързана с мобилно устройство чрез Bluetooth.	Това е нормална операция. Не е необходимо действие.
	Иконата за ИЗКЛЮЧЕНО КОСЕНЕ НА ЗАДЕН ХОД светва на LCD екрана.	ИЗКЛ	Не	Тя показва, че ножовете не могат да се задействат, когато тракторната косачка се движи на заден ход.	Това е нормална операция. Ако е необходимо, включете ножовете при движение на заден ход, като следвате указанията в раздел „ЗАДЕЙСТВАНЕ НА НОЖОВЕТЕ ПРИ ДВИЖЕНИЕ НА ЗАДЕН ХОД“ в ръководството.
	На LCD екрана светва иконата за задвижване.	ИЗКЛ	Не	Тя показва, че тракторната косачка може да се движи или се движи напред.	Това е нормална операция. Поставете лоста за управление на посоката на движение в позиция „D“, неутрална или „R“ в зависимост от необходимостта.
	На LCD екрана светва иконата за заден ход.	ИЗКЛ	Не	Тя показва, че косачката се движи назад.	
	Иконата за задвижване и за заден ход мигат последователно	ИЗКЛ	Не	Това означава, че тракторната косачка не може да бъде задвижена.	
	Иконата на ключа за безопасност светва	ИЗКЛ	Не	Ключът за безопасност е поставен правилно.	Това е нормална операция. Не е необходимо действие.
	Иконата на ключа за безопасност мига, когато на LCD екрана се показва „индикаторът за заряд“.	ИЗКЛ	Не	Ключът за безопасност не е поставен.	Поставете ключа за безопасност, след това натиснете докрай педала на спирачката за паркиране и натиснете едновременно старт/стоп бутон за повече от 3 секунди, за да запалите тракторната косачка.
				Взъелът на кутията на контролния панел на ключ е счупен.	Свържете се с център за обслужване на клиенти EGO за ремонт.

LCD дисплей	Описание	Индикатор за състоянието на тракторната косачка	Индикатор на аудио	Причина	Решение
	Иконата на спирачката за паркиране мига, когато на LCD екрана се показва „индикаторът за заряд“.	ИЗКЛ	Не	Педалът на спирачката за паркиране не е натиснат.	След като поставите ключа за безопасност, натиснете докрай педала на спирачката за паркиране и натиснете едновременно старт/стоп бутона за повече от 3 секунди, за да запалите тракторната косачка.
	Иконата на спирачката за паркиране мига, когато на LCD екрана се показва интерфейсът за оператора.	ИЗКЛ	Не	Натиснете педала за газта, преди да натиснете педала на спирачката за паркиране, за да светне индикаторът на тракторната косачка в зелено.	Стартирайте правилно тракторната косачка, като следвате указанията в раздел „СТАРТИРАНЕ НА ТРАКТОРНАТА КОСАЧКА“.
	Иконата на спирачката за паркиране светва	ИЗКЛ	Не	Педалът на спирачката за паркиране е поставен в позиция за паркиране.	Освободете го преди стартиране на тракторната косачка.
	Иконата на сензора на седалката свети	ИЗКЛ	Не	Операторът напуска седалката или системата за блокиране на безопасността на седалката е изключена.	Ако иконата е включена със седал на седалката оператор, спрете работа с тракторната косачка незабавно и проверете съединението на седалката. Ако се потвърди, че съединението на седалката с тракторната косачка е правилно, се свържете с квалифициран сервизен техник за ремонт.
	Иконата на превключвателя на вала за отвеждане на мощност мига	ИЗКЛ	Не	Моторът на ножа е прекъснат по време на работа и превключвателят на вала за отвеждане на мощност не е поставен в изключена позиция.	Преди да рестартирате тракторната косачка, натиснете превключвателя на вала за отвеждане на мощност надолу, за да изключите двигателите на ножовете. Моля, вижте раздела „ОТСТРАНЯВАНЕ НА ПРОБЛЕМИ“ в това ръководство за справка.
	Иконата на определено отделение за батерии мига.	ИЗКЛ	Не	Определена батерия по време на разреждане е със свръхток.	Не е необходимо действие. Тракторната косачка може да продължи да работи, ако комбинираната стойност на Ah, при изключена батерия със свръхток, е равна на или повече от 15 Ah. След като батерията със свръхток се върне към нормалното, тя ще се включи незабавно в захранването на тракторната косачка и иконата ще изчезне.

LCD дисплей	Описание	Индикатор за състоянието на тракторната косачка	Индикатор на аудио	Причина	Решение
	Иконата на празното отделение за батерии мига.	ИЗКЛ	Не	Капацитетът на батерията е недостатъчен, за да позволи на тракторната косачка да работи.	За да стартирате тази тракторната косачка, използвайте достатъчно акумулаторни батерии EGO, като спазвате инструкциите в раздел „МОНТИРАНЕ/ИЗВАЖДАНЕ НА АКУМУЛАТОРНАТА БАТЕРИЯ“ в това ръководство.
	Иконата за температура и точно заетото отделение за батериите мигат едновременно.	ИЗКЛ	Не	Акумулаторната батерия в съответното номерирано отделение за батерия е прегряла.	<ol style="list-style-type: none"> 1. Тракторната косачка може да продължи да работи, ако комбинираната стойност на Ah, при изключена прегряла батерия отговаря на изискванията. Когато прегрялата батерия се върне към нормална температура, тя ще се включи незабавно към захранването на тракторната косачка. 2. Ако комбинираните Ah на батериите не отговарят на изискванията, тракторната косачка няма да работи, докато не бъдат поставени повече акумулаторни батерии в празните отделения за батерии. 3. Намалете натоварването на тракторната косачка чрез увеличаване на височината на косене на платформата или намаляване на скоростта на движение при възобновяване на работата.
	Иконата за температура мига.	ИЗКЛ	Един звуков сигнал	Тракторната косачка е прегряла.	Намалете натоварването на тракторната косачка чрез увеличаване на височината на косене на платформата или забавяне на скоростта на ножовете/движението. Направете почивка и оставете тракторната косачка да се охлади.
				Тракторната косачка е твърде студена.	Моля, не правете повторни опити, които могат да повредят машината. Винаги съхранявайте тракторната косачка и батерията в топла среда. Рестартирайте тракторната косачка, когато е затоплена.

LCD дисплей	Описание	Индикатор за състоянието на тракторната косачка	Индикатор на аудио	Причина	Решение
	Иконата за предупреждение мига	Мига в червено	Един звуков сигнал	Моторът на ножовете е претоварен.	Увеличете височината на рязане на платформата или забавете скоростта на движение, за да намалите натоварването на тракторната косачка.
				Страничният отвеждащ улей е запушен с трева и отломки.	Почиствайте страничния отвеждащ улей след всяка употреба.
				Има взаимни смущения между ножа и платформата на тракторната косачка.	Свържете се с центъра за обслужване на клиенти на EGO
	Иконите на всяко заето отделение за акумулаторни батерии и иконата за предупреждение мигат на LCD екрана едновременно на всяка 1 секунда.	Мига в червено	Продължава да звучи, докато превключвателят на вала за отвеждане на мощност е натиснат.	Акумулаторните батерии са с нисък заряд и тракторната косачка е в режим на аварийно прибиране.	Спрете работа и се върнете в зоната за зареждане на батерията. БЕЛЕЖКА: Когато тракторната косачка е в режим на аварийно прибиране, ножовете автоматично се превключват на по-ниска скорост на въртене и междувремето звуковият индикатор продължава да звучи. Операторът трябва да натисне превключвателя на VOM надолу, за да изключи двигателите на ножовете. Звуковият индикатор ще спре да звучи, след като ножовете спрат.
	Иконата на всяко заето отделение за акумулаторни батерии и иконата за предупреждение мигат на всяка половин секунда.	Мига в червено	Продължава да звучи	Моторът на ножа е прекъснат по време на работа и превключвателят на вала за отвеждане на мощност не е поставен в изключена позиция.	Тракторната косачка ще спре да работи незабавно. Операторът трябва да транспортира тракторната косачка до зоната за зареждане на батерията за зареждане.
	На LCD екрана светва иконата за круиз контрол	Постоянно зелено	Не	Тракторната косачка продължава да се движи напред със зададена скорост, без да е необходимо да натискате педала на газта.	Това е нормална операция. Ако е необходимо, изключете функцията за круиз контрол, като следвате указанията в раздел „Спиране (деактивиране) на круиз контрола (CCS)“ в ръководството.
	Иконата за круиз контрол (CCS) мига на LCD екрана.	ИЗКЛ	Не	Функцията CCS (система за круиз контрол) е неизправна. Педалът на спирачката за паркиране се натиска, за да се спре тракторната косачка.	Функцията за круиз контрол (CCS) не може да бъде настроена, когато тракторната косачка се движи с много ниска скорост или на заден ход. След като отпуснете педала на спирачката за паркиране, натиснете бутона за круиз контрол и на LCD дисплея ще светне иконата за круиз контрол, или деактивирайте функцията за круиз контрол, като следвате инструкциите в раздела „Спиране (деактивиране) на круиз контрола (CCS)“.

LCD дисплей	Описание	Индикатор за състоянието на тракторната косачка	Индикатор на аудио	Причина	Решение
	На LCD екрана светва иконата за липсваща торба	Неприложимо	Не	Това означава, че торбата за трева не е монтирана на тракторната косачка или не е монтирана правилно.	Монтирайте правилно торбата за трева на тракторната косачка.
	Иконата за пълна торба мига на LCD екрана	Неприложимо	Не	Това означава, че торбата за трева е пълна.	Изпразнете торбата за трева и я поставете отново правилно.
Неприложимо	Неприложимо	ИЗКЛ	Продължава да звучи	Тракторната косачка е паркирана на наклон и операторът оставя тракторната косачка, без да е поставил педала на спирачката за паркиране в позиция за паркиране.	Поставете педала на спирачката за паркиране в позиция за спирачка за паркиране. Иконата на спирачката за паркиране ще светне, а звуковият индикатор ще спре да звучи.
ИЗКЛ	Неизправност на порта за зареждане	Постоянно в ЧЕРВЕНО	Неприложимо	Няма електрозахранване.	Проверете стенния контакт дали е за 220 V - 240 V или дали контактът е добър.
		Постоянно в ЧЕРВЕНО	Неприложимо	Неизправности на електрониката като прекъснатата верига на порт за зареждане, изгорял предпазител и др.	Свържете се с център за обслужване на клиенти EGO за ремонт.

СПРАВКА ЗА КОД ЗА ГРЕШКА

Описание	Код за грешка на LCD	Индикатор на аудио	Решение
Левият мотор за ножовете не се върти.	509	Един звуков сигнал	Инспектирайте първо ножа. Ако е разхлабен, затегнете болта с препоръчания въртящ момент. В противен случай, свържете се с център за обслужване на клиенти EGO за ремонт.
Десният мотор за ножовете не се върти.	609	Един звуков сигнал	

БЕЛЕЖКА: За всякакви други кодове за неизправност, появили се на LCD екрана, които могат да показват повреда на РСВА, разхлабена връзка, повреда на задвижващия двигател, двигатели на ножове и т.н., моля, извадете всички батерии и ги поставете отново няколко минути по-късно, за да рестартирате тракторната косачка. Ако това не реши проблема, моля, запишете кода на грешката и се свържете с център за обслужване на клиенти EGO за ремонт.

BG

ГАРАНЦИЯ

ГАРАНЦИОННА ПОЛИТИКА EGO

Моля, посетете уебсайта egopowerplus.eu за пълните срокове и условия по гаранционната политика на EGO.

PROČITAJTE UPUTE U CIJELOSTI!



PROČITAJTE KORISNIČKI PRIRUČNIK

SIMBOL O SIGURNOSTI

Svrha simbola sigurnosti je skretanje pozornosti na moguće opasnosti. Simboli sigurnosti i njihova objašnjenja zahtijevaju vašu potpunu pozornost i razumijevanje. Simboli upozorenja ne isključuju opasnost sami po sebi. Upute i upozorenja koja pružaju nisu zamjena za propisne mjere za prevenciju nesreća.

▲ UPOZORENJE: Prije upotrebe ovog alata pobrinite se da sve sigurnosne upute u ovom korisničkom priručniku, uključujući sve sigurnosne simbole kao što su „**OPASNOST**“, „**UPOZORENJE**“, i „**OPREZ**“ pročitate s razumijevanjem. Zanemarivanje uputa navedenih u nastavku može rezultirati strujnim udarom, požarom i/ili teškim tjelesnim ozljedama.

ZNAČENJE SIMBOLA

Na ovoj stranici slikovno su prikazani i objašnjeni simboli sigurnosti koji se mogu pojaviti na ovom proizvodu. Prije sastavljanja i rukovanja, s razumijevanjem pročitajte sve upute na stroju i pridržavajte ih se.

SIGURNOSNI SIMBOLI



Simbol upozorenja



Zaštita za oči



OPASNOST – opasnost od strmih kosina



Ne vozite djecu



UPOZORENJE – nemojte upotrebljavati ovaj stroj na kosinama većim od 12°



UPOZORENJE – DRŽITE PODALJE OD RUKU I STOPALA



Ne stajati ovdje



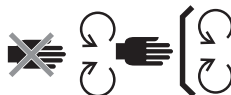
Ovaj proizvod je u skladu s važećim direktivama EU



Istosmjerna struja



S razumijevanjem pročitajte priručnik za rukovatelje



Održavanje sigurnosnih uređaja



OPASNOST – promatrači moraju biti podalje od noževa



Kad idete unatrag, gledajte iza sebe



OPASNOST – odbačeni predmeti



Zajamčena razina snage zvuka. U skladu je s direktivom Europske zajednice.



Otpadni električni proizvodi ne smiju se odlagati s otpadom iz kućanstva. Odnosite ih u ovlaštenu centar za recikliranje.



OPREZ – nemojte gledati u radnu lampu.



Ovaj proizvod je u skladu s važećim zakonodavstvom UK.

kPa	Kilopaskal	RPM	Brzina vrtnje
V	Volt	m	Metara
in	Inč	cm	centimetri
Nm	Mjerač momenta	mm	Milimetri
°C	Celzij	kg	Kilogram
km/h	Kilometara na sat	IPX4	Stupanj zaštite od prodora vode

SIMBOLI U OVOM PRIRUČNIKU



Informacije treba zabilježiti



Navedena radnja prestaje

TEHNIČKI PODACI

Napon	56 V	
Veličina trupa	98 cm	
Veličina kotača	Sprijeda	15 x 6 – 6 inča
	Straga	18 x 7,5 – 8 inča
Tlak u hladnim gumama	Sprijeda	96,5 kPa
	Straga	170 kPa
Brzina noža (o/min)	Do 3000	
Maksimalna brzina vožnje	Naprijed	Do 9,6 km/h
	Unatrag	do 4,8 km/h
Podešavanje visine otkosa (12 položaja)	25 – 100 mm	
Raspon temperatura punjenja	5 °C – 40 °C	
Radna temperatura	0 °C – 40 °C	
Temperatura skladištenja	-20 °C – 70 °C	
Masa (bez baterijskog modula)	220 kg	
Izmjerena razina zvučne snage L_{WA}	97,7 dB(A) K=1,75 dB(A)	
Razina zvučnog tlaka kod uha rukovatelja L_{PA}	83,6 dB(A) K=3 dB(A)	
Zajamčena razina zvučne snage L_{WA} (izmjereno u skladu s 2000/14/EZ)	100 dB(A)	
Vibracija a_h	Ruka	0,24 m/s ² K=1,5 m/s ²
	Tijelo	0,18 m/s ² K=1,5 m/s ²

- Deklarirane ukupne vrijednosti vibracija izmjerene su u skladu sa standardnom metodom ispitivanja i mogu se koristiti za usporedbu jednog alata s drugim.
- Deklarirane ukupne vrijednosti vibracija mogu se koristiti i u preliminarnoj procjeni izloženosti.

OBAVIJEST: Emisija vibracija tijekom aktualnog korištenja električnog alata može se razlikovati od deklarirane vrijednosti u kojoj se alat koristi; Radi zaštite rukovatelja korisnik treba nositi rukavice i štitičke za uši u aktualnim uvjetima korištenja.

PREPORUČENA DODATNA OPREMA

⚠ UPOZORENJE: Koristite samo dodatnu opremu navedenu u nastavku. Korištenje dodatne opreme koja nije u skladu s tehničkim podacima za izvornu opremu može rezultirati nepravilnim radom i smanjenom sigurnošću.

NAZIV DIJELA	BROJ MODELA
Zbirka kompletnih noževa	AB3801TD
Zatvarač za malčiranje	AMP3800T

OPIS

UPOZNAJTE TRAKTOR (SI. A1)

1. Sjedalo
2. Držač za čaše
3. Stražnji kotač (pogonski kotač) (x2)
4. Priključak za pranje (x2)
5. Trup
6. Kotač za ograničenje visine otkosa (x2)
7. Prednji kotač (x2)
8. Prednji odbojnik
9. Papučica parkirne kočnice
10. LED prednje svjetlo (x2)
11. Jedinica snage
12. Odjeljak za odlaganje
13. Ručica za blokiranje parkirne kočnice

14. Kolo upravljača
15. Ručica za podešavanje položaja sjedala
16. Spremnik za travu
17. Priključak za punjenje
18. USB priključak
19. Košara za spremanje
20. Papučica gasa
21. Ručica za podešavanje visine trupa
22. Ručica za istovar
23. Ručka
24. Indikator stanja traktora
25. Gumb za podešavanje brzine noža
26. Gumb za KOŠNJU UNATRAG
27. Tipka Start/Stop
28. Ručica za upravljanje smjerom
29. Sigurnosni ključ
30. PTO sklopka
31. Gumb CCS
32. Gumb LED svjetla / Bluetooth gumb
33. Gumb za podešavanje brzine vožnje
34. Gumb za oslobađanje poklopca pogonske jedinice
35. Poklopac pogonske jedinice
36. Pogonska jedinica sa šest odjeljaka za baterije
37. Gumb za oslobađanje baterije

UPOZNAJTE LCD ZASLON (SI. A2)

Više informacija o ikonama i indikatorima na LCD zaslonu potražite u odjeljku „REFERENCA STANJA TRAKTORA” i „REFERENCA ŠIFRI KVAROVA”.

1. CCS Ikona
2. Indikator stanja sigurnosnog uređaja
3. Ikona KOŠNJA UNATRAG ISKLJUČENA
4. Ikona pogona
5. Ikona za unatrag
6. Ikona sigurnosnog ključa
7. Ikona LED svjetla
8. Bluetooth ikona
9. Indikator brzine noža
10. Brojilo sati rada
11. Mjerač goriva
12. Ikona temperature
13. Ikona upozorenja (preopterećenje/niska snaga)
14. Ikona praznog pretinca za baterije
15. Ikona popunjenog pretinca za baterije
16. Indikator koda pogreške
17. Indikator opterećenja
18. Indikator brzine vožnje

19. Ikona punog spremnika
20. Ikona nedostajućeg spremnika

RASPAKIRAVANJE

OBAVIJEST: Nemojte odbaciti ambalažni materijal dok pažljivo ne pregledate alat i uspješno ne pokrenete proizvod. Ako vam nedostaje bilo koji sastavni dio stroja s otpremnice, odmah se obratite EGO servisnom centru.

OBAVIJEST: Osim alata iz dolje navedene otpremnice, svi drugi alati navedeni u priručnicima dio su preporučene otpreme, ali nisu dio paketa.

OTPREMNICA (SI. B)

B-1	Električna traktorska kosilica	B-2	Sjedalo
B-3	Kolo upravljača	B-4	Kapa protiv prašine
B-5	Kombinirani ključevi	B-6	Nasadni ključ 18 mm
B-7	Stepenasti vijci (1 rezervni)	B-8	M8 matice (1 rezervna)
B-9	M12 matice (1 rezervna)	B-10	Podloške (1 rezervna)
B-11	Sigurnosni ključ	B-12	Brza spojnica priključka za pranje
B-13	Priručnik za rukovatelje	B-14	Spremnik za travu (s dva kompleta vijka i matice za bočne nosače)
B-15	Nosač u obliku slova U	B-16	Bočni nosač
B-17	Ručica za istovar	B-18	Lijevi i desni potporni nosač za spremnik
B-19	Poprečna šipka	B-20	Vijak M8X40
B-21	Vijak M8X25	B-22	Matica M8

SASTAVLJANJE

UGRADNJA KOLA UPRAVLJAČA (SI. C1)

C1-1	Stup upravljača	C1-2	Kolo upravljača
C1-3	Središnja crta	C1-4	Podloška
C1-5	Matica	C1-6	Nasadni ključ 18 mm
C1-7	Poklopac za prašinu		

UGRADNJA SJEDALA (SI. C2)

⚠ UPOZORENJE: Sigurnosni sustav blokade ne smije se isključivati niti zaobilaziti. Time biste mogli uzrokovati neočekivan rad traktora, što može dovesti do ozljeda.

C2-1	Sjedalo	C2-2	Matica (M8)
C2-3	Stepenasti vijak	C2-4	Podnožje
C2-5	Utikač		

UGRADNJA SPREMNIKA ZA TRAVU (SI. C3 – C8)

C3-1	Nosač u obliku slova U	C3-2	Spremnik
C3-2	4 kompleta vijaka i matica (M8 X 40)	C3-4	Kombinirani ključ
C4-1	Bočni nosači	C4-2	4 kompleta vijaka i matica (M8 X 40)
C4-3	Kombinirani ključ	C5-1	Ručica za istovar
C5-2	1 komplet vijka i matice (M8 X 40)	C5-3	Kombinirani ključ
C6-1	Potporni nosači za spremnik	C6-2	4 kompleta vijaka i matica (M8 X 25)
C6-3	Kombinirani ključevi	C7-1	Poprečna šipka
C7-2	2 matice (M8)	C7-3	Kombinirani ključ

PODEŠAVANJE

PRIJE PODEŠAVANJA (SI. D1)

PODEŠAVANJE VISINE OTKOSA (SI. D2)

PODEŠAVANJE KOTAČA ZA OGRANIČENJE VISINE OTKOSA (SI. D3 – D6)

D3-1	Kotači za ograničenje visine otkosa	D5-1	Matica
D5-2	Lug Bolt	D6-1	Oznaka visine otkosa

PODEŠAVANJE SJEDALA (SI. D7)

D7-1	Ručica za podešavanje položaja sjedala
------	--

RAD

PRIJE RADA (SI. E1)

PODEŠAVANJE PARKIRNE KOČNICE (SI. E2)

E2-1	Položaj parkirne kočnice	E2-2	Otpušteni položaj
------	--------------------------	------	-------------------

⚠ UPOZORENJE: PAPUČICA PARKIRNE KOČNICE NE MOŽE SMANJITI BRZINU VOŽNJE. NNEMOJTE UITISKIVATI PAPUČICU PARKIRNE KOČNICE KAKO BISTE SMANJILI BRZINU VOŽNJE TIJEKOM VOŽNJE. KADA JE PAPUČICA PARKIRNE KOČNICE PRITISNUTA, ALI NIJE UKLJUČENA U POLOŽAJ PARKIRNE KOČNICE, ELEKTRIČNA KOČNICA VIŠE NEĆE BITI UČINKOVITA I TRAKTOR ĆE SE PRESTATI KRETATI PO RAVNOJ POVRŠINI. AKO SE TO DOGODI NA KOSINI, TRAKTOR MOŽE KLIZITI NIZ KOSINU NAKON OTPUŠTANJA PARKIRNE KOČNICE.

⚠ UPOZORENJE: PODIGNITE RUČICU ZA BLOKIRANJE PARKIRNE KOČNICE I ODMAH PRITISNITE PAPUČICU PARKIRNE KOČNICE KAKO BISTE JE UKLJUČILI U POLOŽAJ PARKIRNE KOČNICE U SLUČAJU NUŽDE, TRAKTOR ĆE SE ODMAH ZAUSTAVITI I NEĆE KLIZITI NIZ KOSINU.

POSTAVLJANJE / SKIDANJE BATERIJSKOG MODULA (SI. E3 – E6)

Kako biste mogli pokrenuti traktor, morate imati EGO baterije ukupnog kapaciteta 15 Ah (2 X BA4200/BA4200T) ili većeg. Za najbolji učinak preporučujemo upotrebu EGO baterija ukupnog kapaciteta 30 Ah ili većeg.

E3-1	Gumb za otpuštanje poklopca	E5-1	Gumb za oslobađanje baterije
------	-----------------------------	------	------------------------------

PUNJENJE TRAKTORA

Upotrebjavajte isključivo preporučene baterijske module i punjače.

- **Baterijske module punite zasebno (sl. E7)**
OBAVIJEST: Detaljne upute potražite u odgovarajućim priručnicima za baterije i punjač.
- **Baterijske module punite putem priključka za punjenje (SI. E8 – E10)**

E10-1	Kapa protiv prašine	E10-2	Priključak za punjenje
-------	---------------------	-------	------------------------

ISPITIVANJE SIGURNOSNOG SUSTAVA ZA BLOKADU

- Ispitivanje sustava platforme s nožem (SI. E11 – E12)
- Ispitivanje pogonskog sustava (SI. E13 – E14)

Ako se sustav trupa-noža i/ili sustav vožnje ne zaustave nakon što se rukovatelj ustane sa sjedala i ako se uzrok ne može utvrditi niti nakon potvrde kako je spoj utikača i utičnice sjedala pravilan, odmah se obratite u servisni centar tvrtke EGO.

TEHNOLOGIJA KOMUNIKACIJE

Za informacije o našoj cjelokupnoj ponudi povezanih proizvoda i usluga, uključujući upute za povezivanje, skenirajte QR kod u nastavku ili posjetite www.egopowerplus.eu/connect.



KONTROLNI POPIS PRIJE RADA

- Uvjerite se da u radnom području nema djece, promatrača i kućnih ljubimaca.
- Radno područje očistite od predmeta koje razbacuju noževi traktora.
- Očistite ostatke s traktora.
- Provjerite da nema olabavljenih spojnih dijelova.
- Provjerite jesu li svi štitnici na svom mjestu i da rade ispravno.
- Vizualno provjerite jesu li gume napunjene.
- Provjerite rad kočnica.

- Podesite visinu platforme na željeni položaj rezanja koji je najprikladniji za travnjak i u skladu s tim prilagodite kotače za ograničenje visine otkosa.
- Podesite položaj sjedala i provjerite mogu li se dosegnuti obje papučice.
- Provjerite razinu napunjenosti baterije.
- Ispitajte sigurnosni sustav blokade.
- Provjerite je li spremnik za travu pravilno postavljen.

POKRETANJE TRAKTORA (SI. E15 – E16)

⚠ UPOZORENJE: Izbjegavajte naglo pokretanje, zaustavljanje i okretanje, kao i prekomjernu brzinu, naročito dok se tek privikavate na rukovanje traktorom. Traktor se može okretati brzo, zbog čega biste mogli izgubiti kontrolu i prouzročiti teške ozljede i/ili oštećenja.

⚠ UPOZORENJE: Prije pokretanja traktora, provjerite i uvjerite se kako se noževi odvajaju unutar 5 s nakon što pritisnete PTO sklopu prema dolje. Ako se noževi ne zaustavljaju, nemojte upotrebljavati traktor i odmah se obratite u servisni centar tvrtke EGO.

NAPOMENA:

- Ako je papučica parkirne kočnice postavljena u položaju parkirne kočnice, trebate pritisnuti gumb za pokretanje/zaustavljanje samo 3 s kako biste osvijetlili LCD zaslon, a zatim otpustite papučicu parkirne kočnice prije vožnje traktora.
- Rezni noževi mogu se pokrenuti u bilo kojem trenutku nakon što je LCD zaslon potpuno osvijetljen, a ručica za upravljanje smjerom nije povučena unatrag u smjeru „R”. Da biste uključili noževe tijekom vožnje traktora unatrag, pogledajte odjeljak „UKLJUČIVANJE NOŽEVA TIJEKOM VOŽNJE UNATRAG” u ovom priručniku.

OBAVIJEST: Slijedite sl. E17 da biste dobili najnižu brzinu vožnje dok u potpunosti ne budete sposobni upravljati traktorom u svim situacijama.

Električna traktorska kosilica ne pamti brzinu vožnje i postavke brzine noža. Brzina vožnje i brzina noža vratit će se na razinu 2 svaki put kada se traktor isključi.

Podešavanje brzine vožnje (sl. E17)

Podešavanje brzine noža (sl. E18)

NAPOMENA: Kada ste u „Razini 3”, ponovno pritisnite gumb za podešavanje brzine noža i brzina noža nastavit će prethodnu brzinu.

LED svjetla (sl. E19)

- LED prednja svjetla mogu se uključiti i isključiti pomoću sklopke LED svjetla.

HR

USB priključak

OBAVIJEST: USB priključak pruža snagu punjenja od 5 V DC pri kombiniranom povlačenju struje do 1,5 A, a funkcionira jedino kad je traktor uključen.

ZAUSTAVLJANJE TRAKTORA (SI. E20)

⚠ UPOZORENJE: Postavite papučicu parkirne kočnice u položaj parkirne kočnice kada traktor prestane voziti na kosini, inače traktor može skliznuti niz kosinu, što može uzrokovati ozbiljna oštećenja traktora i tjelesne ozljede!

NAPOMENA: U situaciji kada je papučica parkirne kočnice postavljena u položaj parkirne kočnice, a rukovatelj je izvan sjedala, ali baterijski moduli nisu uklonjeni:

- U slučaju da je LCD zaslon isključen, indikatori baterije, gumb za pokretanje/zaustavljanje i gumb CCS ostat će osvijetljeni 1 h.
- U slučaju da LCD zaslon prikazuje „mjerač goriva” ili sučelje rukovatelja, traktor će se automatski isključiti nakon 1 h.

Način rada Limp Home

Kad napunjenost baterije postane kritično niska, traktor će ući u način rada Limp-Home kako bi sačuvao dovoljno energije za povratak u područje punjenja.

- Noževi se prebacuju na malu brzinu vrtnje kada mogu kositi samo vrlo malu količinu trave. Kada naiđu na visoku i gustu travu, noževi će se prestati vrtjeti. Povremeno će se oglašavati zvučni indikator (zvučni signal).
- Indikator stanja traktora treptat će crveno svake sekunde, treptat će i ikona upozorenja (male snage) i ikona svakog zauzetog odjeljka za baterije.

Rukovatelj treba učiniti sljedeće:

- Pritisnite sklopku za PTO prema dolje da biste isključili motore noža. Zvučni signal prestat će se oglašavati nakon što se motori noža zaustave.
- Prestanite s radom i što prije prijedite na mjesto za punjenje. Maksimalna udaljenost koju traktor može prijeći je 1000 m.

Prije nego što se baterija potpuno isprazni, ikona upozorenja (mala snaga) i ikona svakog zauzetog pretinca za bateriju treptat će svakih pola sekunde. Traktor će odmah prestati s radom. Rukovatelj će morati transportirati traktor do mjesta za punjenje.

NAPOMENA: Ako se pokaže potreba za ručnim guranjem, odvojite baterije od traktora i otpustite papučicu parkirne kočnice iz položaja parkirne kočnice.

VOŽNJA TRAKTORA (SI. E21)

⚠ OPASNOST: Držite se barem dvije širine otkosa dalje od jama, strmina i vode. Prednji kotači mogu se okretati ako je traktor zaustavljen, čak i ako je kočnica aktivirana, zbog čega traktor može prijeći preko ruba ili pasti u vodu, uzrokujući smrt ili teške ozljede.

⚠ UPOZORENJE: Ne upravljajte traktorom na javnim prometnicama.

⚠ UPOZORENJE: U slučaju blokade ili ako udarite strani predmet, zaustavite motore i izvadite baterije. Uklonite ostatke trave, lišće, prljavštinu i ostale nakupljene nečistoće; dobro pregledajte ima li na traktoru oštećenja i popravite ih prije ponovnog pokretanja i upotrebe traktora.

NAPOMENA:

- Tijekom vožnje, kada napustite sjedalo, indikator stanja traktora će se isključiti. Prilikom ponovnog pokretanja vožnje sjednite na sjedalo i potpuno pritisnite papučicu parkirne kočnice kako bi indikator stanja traktora zasvijetlio zeleno.
- Prilikom prebacivanja između vožnje naprijed i natrag, pomaknite ručicu za upravljanje smjerom izravno s jednog kraja na drugi bez zaustavljanja u neutralnom položaju, inače se traktor može prestati kretati.

UPOREBA TEMPOMATA (CCS)

Za aktiviranje (uključivanje) tempomata (CCS) (sl. E22)

NAPOMENA: Razina brzine vožnje prikazana na LCD zaslonu možda neće točno predstavljati stvarnu brzinu vožnje traktora s tempomatom. Pritisnite gumb za podešavanje brzine kako biste „osvježili” razinu brzine vožnje na LCD zaslonu.

Za zaustavljanje (zatvaranje) tempomata (CCS), možete odabrati jedan od tri načina:

- Pritisnite papučicu gasa do kraja nastavite pritiskati. Funkcija CCS će se zaustaviti i traktor će nastaviti voziti.
- Lagano utisnite papučicu gasa, a zatim ju otpustite. Traktor i funkcija CCS će se zaustaviti.
- Pritisnite gumb CCS. Traktor i funkcija CCS će se zaustaviti.

NAPOMENA: Kada se CCS zaustavi, ikona „” nestat će s LCD zaslona i zvučni signal će se oglasiti dva puta.

NAPOMENA: Ako je papučica parkirne kočnice pritisnuta, traktor će se zaustaviti, ali će ikona „” treptati na LCD zaslonu kako bi naznačila da je CCS u stanju pripravnosti. U tom slučaju, otpustite papučicu parkirne kočnice, pritisnite gumb CCS. Traktor će nastaviti s automatskom vožnjom, a ikona „” prestat će treptati.

UKLJUČIVANJE NOŽEVA ZA VRIJEME VOŽNJE UNATRAG

NAPOMENA: Košnja unatrag se ne preporučuje.

⚠ UPOZORENJE: Budite izuzetno oprezni prilikom košnje unatrag. Pobrinite se da prije ili tijekom košnje unatrag u radno područje ne dolaze osobe, posebno mala djeca.

⚠ UPOZORENJE: Vidljivost rukovatelja može biti narušena pri radu traktora s pričvršćenim kompletom spremnika. Prije i za vrijeme košnje unatrag treba biti krajnje oprezan i upoznat s okolinom.

Za aktiviranje (uključivanje) KOŠNJE UNATRAG (E23)

Za zaustavljanje (zatvaranje) KOŠNJE UNATRAG, možete odabrati jedan od četiri načina:

- Jednom pritisnite gumb za KOŠNJU UNATRAG.
- Ustanite sa sjedala traktora.
- Pritisnite gumb za pokretanje/zaustavljanje na 3 s da biste isključili LCD zaslon.
- Uklonite sigurnosni ključ ili uklonite baterijske module da biste isključili traktor.

NAPOMENA: Kada se KOŠNJA UNATRAG zaustavi, ikona „” svijetlit će na LCD zaslonu.

PRAŽNENJE SPREMNIKA ZA TRAVU (SI. E24)

NAPOMENA: Kada ikona „” trepće na LCD zaslonu, spremnik za travu je pun. Nakon što se spremnik isprazni, ikona „” nestat će s LCD zaslona.

NAPOMENA: Spremnik za travu mora se pravilno vratiti na traktor, inače se traktor može voziti, ali motori noža se ne mogu uključiti.

ODRŽAVANJE

⚠ UPOZORENJE: Nosite zaštitu za oči s bočnim štitnicima. Nepostupanje u skladu s tim može rezultirati odbacivanjem predmeta u oči i drugim mogućim teškim ozljedama.

⚠ UPOZORENJE: Pri obavljanju radova održavanja na nožu traktora zaštitite ruke rukavicama ili omotajte noževe krpama ili drugim materijalima. Izvadite sigurnosni ključ i baterijske module prije servisa ili transporta traktora.

PLAN(OVI) PREPORUČENOG ODRŽAVANJA

Interval servisnog održavanja	Postupak za održavanje
Prije svake upotrebe ili svakodnevno	<ul style="list-style-type: none"> ▪ Provjerite sigurnosni sustav blokade. ▪ Vizualno provjerite jesu li gume napunjene. ▪ Pregledajte noževe. ▪ Pregledajte čitav proizvod i uvjerite se kako nema dijelova koji su oštećeni, nedostaju ili su olabavljeni, što uključuje sklop bočnog nastavka, vijke, matice, kapice itd. te provjerite jesu li svi štitnici na mjestu i ispravno rade. ▪ Provjerite i uvjerite se da se papučica gasa može pravilno utisnuti i otpustiti. ▪ Provjerite prigušnik kola upravljača. Kolo upravljača treba okretati s određenim otporom.
Nakon svake upotrebe	<ul style="list-style-type: none"> ▪ Očistite traktor i operite trup.
Svaki 25 h	<ul style="list-style-type: none"> ▪ Provjerite tlak u gumama.
Svaki 100 h	<ul style="list-style-type: none"> ▪ Provjerite stražnje kotače i uvjerite se da su vijci zategnuti preporučenim momentom (101-103 Nm). ▪ Provjerite prednje kotače i uvjerite se da je matica zategnuta preporučenim momentom (90-92 Nm).
Svaki 200 h	<ul style="list-style-type: none"> ▪ Provjerite prednje kotače i uvjerite se kako se slobodno okreću.

Svakih pola godine	<ul style="list-style-type: none"> Provjera papučice parkirne kočnice. Izvadite bateriju iz traktora, zatim povucite ručicu za blokiranje parkirne kočnice i pritisnite papučicu parkirne kočnice za postavljanje parkirne kočnice. Ručno gurnite traktor prema naprijed kako biste vidjeli može li se traktor pomicati bez vrtnje stražnjih kotača. Ako se traktor pomakne i stražnji kotači se u međuvremenu okrenu, kontaktirajte servisni centar tvrtke EGO radi popravka.
Prije skladištenja	<ul style="list-style-type: none"> Uklonite baterije iz traktora. Uklonite sigurnosni ključ iz traktora. Provedite sve gore navedene postupke održavanja i dobro očistite traktor. Pregledajte cijeli proizvod i provjerite da nema oštećenih, izgubljenih ili labavih dijelova, te zamijenite ili zategnite odgovarajuće prije skladištenja.
Godišnje	<ul style="list-style-type: none"> Podmažite čahure vratila prednjih kotača.

OPĆE ODRŽAVANJE

Pražnjenje trave (sl. F1 – F3)

Čišćenje kućišta traktora (sl. F4)

Upotreba priključka za pranje za čišćenje trupa traktora (sl. F5 – F6)

F5-1	Priključak za pranje	F5-2	Spojnica priključka za pranje
F5-3	Vrtno crijevo		

OPAVIJEST: Kada završite čišćenje, potpuno isključite traktor, a zatim uklonite vrtno crijevo i brzu spojnicu.

ODRŽAVANJE TRUPA TRAKTORA I REZNIH NOŽEVA

Priprema (sl. G1)

Uklanjanje trupa (sl. G2 – G3)

G2-1	Kabel motora	G2-2	Rascjepka
G2-3	Spona ovjesa		

HR Zamjena reznih noževa (sl. G4 – G6)

G4-1	Stabilizator	G5-1	Vijak
G5-2	Podloška	G5-3	Nož
G5-4	Prirubnica	G5-5	Vratilo motora

Niveliranje trupa

a. Kada se obavlja niveliranje (sl. G7 / sl. G8 / sl. G9)

b. Prije niveliranja

- Provjera tlaka u hladnim gumama (sl. G10)
- Provjera noževa. Prema potrebi uklonite i zamijenite istrošene, oštećene i/ili savijene noževe.

c. Priprema za niveliranje (sl. G11)

d. Način niveliranja

- Bočno podešavanje (sl. G12)
- Uzdudno podešavanje (sl. G13)

POHRANA I TRANSPORT

TRANSPORT TRAKTORA (SI. H1 – H5)

H2-1	Rampe	H2-2	Remeni
------	-------	------	--------

OPAVIJEST: Prema potrebi osigurajte traktor trakama ili kabelima kako biste onemogućili pomicanje tijekom transporta.

SKLADIŠTENJE (SI. I1 – I2)

NAPOMENA: Upute za uklanjanje i spremanje baterijskih modula potražite u pripadajućim priručnicima.

Upute za čišćenje i provjeru traktora prije skladištenja potražite u odjeljcima „OPĆE ODRŽAVANJE” i „PREPORUČENI RASPOREDI ODRŽAVANJA”.

Zaštita okoliša



OEEO (Otpadna električna i elektronička oprema) Električnu opremu, iskorištenu bateriju i punjač nemojte odlagati u otpad iz kućanstva! Ovaj proizvod odnesite u ovlaštenu centar za reciklažu i time omogućite odvojeno sakupljanje. Električne alate potrebno je vratiti u ekološki prihvatljiv pogon za reciklažu.

RJEŠAVANJE PROBLEMA

PROBLEM	UZROK	RJEŠENJE
Električna traktorska kosilica ne vozi kada se pritisne papučica gasa.	<ul style="list-style-type: none"> ▪ Kombinirani kapacitet u Ah umetnutih baterija ne ispunjava zahtjev. 	<ul style="list-style-type: none"> ▪ Kako biste pokrenuli traktor, upotrijebite dovoljan broj EGO baterija prema uputama u odjeljku "SPAJANJE/ODSPAJANJE BATERIJSKOG MODULA" u ovom priručniku.
	<ul style="list-style-type: none"> ▪ Papučica parkirne kočnice postavljena je u položaj kočenja. 	<ul style="list-style-type: none"> ▪ Pritisnite papučicu parkirne kočnice do kraja i otpustite je iz položaja parkirne kočnice.
	<ul style="list-style-type: none"> ▪ Indikator stanja traktora ne svijetli zeleno. 	<ul style="list-style-type: none"> ▪ Pritisnite papučicu parkirne kočnice, a zatim ju otpustite. Indikator stanja traktora svijetlit će zeleno što znači da je traktor spreman za pokretanje.
	<ul style="list-style-type: none"> ▪ Rukovatelj ne sjedi na sjedalu. 	<ul style="list-style-type: none"> ▪ Traktorom se može upravljati samo kada rukovatelj pravilno sjedi na sjedalu.
	<ul style="list-style-type: none"> ▪ Sustav sigurnosnog blokiranja sjedala nije ispravno spojen. 	<ul style="list-style-type: none"> ▪ Izvadite baterije s traktora i podignite stražnji dio sjedala kako biste bili sigurni da je utikač kabela ispravno spojen na utičnicu na dnu sjedala (pogledajte poglavlje „UGRADNJA SJEDALA“). Slijedite upute iz odjeljka „POKRETANJE TRAKTORA“ kako biste ponovno pokrenuli traktor i provjerili može li se pokrenuti. U protivnom kontaktirajte servisni centar tvrtke EGO za popravak.
	<ul style="list-style-type: none"> ▪ U slučaju iznimno hladnog vremena, funkcija vožnje možda se neće uspješno pokrenuti zbog zaštite od niskih temperatura. 	<ul style="list-style-type: none"> ▪ Traktor i baterije čuvajte u toplom okruženju. Ponovno pokrenite traktor kada se zagrije. Ako je jako hladno, nemojte je uzastopno pokušavati pokrenuti, jer to može dovesti do oštećenja stroja.
	<ul style="list-style-type: none"> ▪ Na putanji papučice gasa nalaze se krhotine i otpad. 	<ul style="list-style-type: none"> ▪ Provjerite i uklonite ostatke
	<ul style="list-style-type: none"> ▪ Kvar mehaničkih ili elektroničkih komponenti papučice gasa. 	<ul style="list-style-type: none"> ▪ Za popravak kontaktirajte servisni centar tvrtke EGO.
<ul style="list-style-type: none"> ▪ Ručica za upravljanje smjerom postavljena je u neutralni položaj. 	<ul style="list-style-type: none"> ▪ Pritisnite/povucite ručicu za upravljanje smjerom u smjer „D“ ili „R“. 	

PROBLEM	UZROK	RJEŠENJE
Električna traktorska kosilica prestaje voziti.	<ul style="list-style-type: none"> Prilikom prebacivanja između naprijed i natrag za vrijeme vožnje, ručica za upravljanje smjerom ostaje u neutralnom položaju dugo vremena. 	<ul style="list-style-type: none"> Otpustite papučicu gasa, a zatim ju ponovno pritisnite.
	<ul style="list-style-type: none"> Kvar elektroničkih komponenti papučice gasa. 	<ul style="list-style-type: none"> Za popravak kontaktirajte servisni centar tvrtke EGO.
	<ul style="list-style-type: none"> Sustav sigurnosnog blokiranja sjedala odvojio se za vrijeme vožnje po neravnom terenu. 	<ul style="list-style-type: none"> Izvadite baterije s traktora i podignite stražnji dio sjedala kako biste bili sigurni da je utikač kabela ispravno spojen na utičnicu na dnu sjedala (pogledajte poglavlje „UGRADNJA SJEDALA”). Slijedite upute iz odjeljka „POKRETANJE TRAKTORA” kako biste ponovno pokrenuli traktor i provjerili može li se pokrenuti. U protivnom obratite se u servisni centar tvrtke EGO za popravak.
	<ul style="list-style-type: none"> Težina rukovatelja nije ravnomjerno raspoređena na sjedalu. Težina rukovatelja na sjedalu mora biti najmanje 20 kg kako bi sustav sigurnosnog blokiranja sjedala pravilno radio. 	<ol style="list-style-type: none"> Sjednite na sjedalo ispravno, potpuno pritisnite papučicu parkirne kočnice i otpustite je, zatim je traktor spreman za vožnju. Ako je potrebno, odvojite i ponovno pričvrstite baterije.
	<ul style="list-style-type: none"> Nakon što je papučica parkirne kočnice dovoljno pritisnuta, ali ne i blokirana na položaj za parkiranje, traktor će se zaustaviti. 	<ul style="list-style-type: none"> Slijedite upute u odjeljku „POKRETANJE TRAKTORA” za ponovno pokretanje traktora.
Električna traktorska kosilica ne uspijeva pokrenuti noževe kada je aktivirana PTO sklopka. Trepće ikona PTO sklopke	<ul style="list-style-type: none"> Kombinirani kapacitet u Ah umetnutih baterija ne ispunjava zahtjev. 	<ul style="list-style-type: none"> Kako biste pokrenuli traktor, upotrijebite dovoljan broj EGO baterija prema uputama u odjeljku „SPAJANJE/ODSPAJANJE BATERIJSKOG MODULA” u ovom priručniku.
	<ul style="list-style-type: none"> PTO sklopka nije pritisnuta prema dolje pri zadnjem isključivanju traktora. 	<ul style="list-style-type: none"> Gurnite sklopku za PTO prema dolje, a zatim gore za ponovno pokretanje motora noža.
	<ul style="list-style-type: none"> Traktor je preopterećen u trenutku kada se noževi počinju okretati čime se aktivira samozaštita motora noža. 	<ul style="list-style-type: none"> Košnju trave prvo pokrenite s manjom brzinom noža i nemojte povećavati brzinu noža dok se noževi uspješno ne zavrte.
	<ul style="list-style-type: none"> U slučaju iznimno hladnog vremena, motor noža možda se neće uspješno pokrenuti zbog zaštite od niskih temperatura. 	<ul style="list-style-type: none"> Traktor i baterije čuvajte u toplom okruženju. Ponovno pokrenite traktor kada se zagrije. Ako je jako hladno, nemojte je uzastopno pokušavati pokrenuti, jer to može dovesti do oštećenja stroja.
	<ul style="list-style-type: none"> Nož dolazi u doticaj s izobličenim trupom traktora 	<ul style="list-style-type: none"> Za popravak obratite se u servisni centar tvrtke EGO.
	<ul style="list-style-type: none"> Spremnik za travu nije ispravno postavljen. 	<ul style="list-style-type: none"> Pravilno ugradite spremnik za travu slijedeći odjeljak „UGRADNJA SPREMNIKA ZA TRAVU” u priručniku.

PROBLEM	UZROK	RJEŠENJE
Noževi se zaustavljaju za vrijeme košenja trave.	<ul style="list-style-type: none"> Traktor je preopterećen. 	<ul style="list-style-type: none"> Podignite visinu košnje na trupu ili usporite brzinu vožnje kako biste smanjili opterećenje traktora.
	<ul style="list-style-type: none"> Trup je začepljen travom i ostalim nečistoćama. 	<ul style="list-style-type: none"> Očistite trup i osigurajte dovoljno mjesta za pomicanje noževa.
	<ul style="list-style-type: none"> Traktor se pregrijava. 	<ul style="list-style-type: none"> Smanjite opterećenje traktora podizanjem visine košnje na trupu ili usporavanjem brzine noža/vožnje te omogućite hlađenje traktora.
	<ul style="list-style-type: none"> Baterijski moduli u odjeljku za baterije traktora se pregrijavaju, zbog čega kombinirani kapacitet svih umetnutih baterija u Ah ne ispunjava zahtjev 	<ol style="list-style-type: none"> Traktor može nastaviti s radom ako kombinirani kapacitet baterija u Ah, ne računajući pregrijanu bateriju, ispunjava zahtjev. Nakon što se pregrijana baterija vrati na normalnu temperaturu, odmah će se pridružiti punjenju traktora. Ako je kombinirani kapacitet baterija ne ispunjava zahtjev, traktor neće raditi sve dok u prazna mjesta za baterije ne umetnete još baterijskih modula. Smanjite opterećenje traktora podizanjem visine košnje na trupu ili usporavanjem košnje pri nastavku rada.
	<ul style="list-style-type: none"> Traktor je u načinu rada Limp Home. 	<ul style="list-style-type: none"> Kad je traktor u načinu rada Limp Home, noževi automatski prelaze u način rada za sporu vrtnju. Rukovatelj treba prestati s radom i što prije se odvesti na mjesto za punjenje baterije.
	<ul style="list-style-type: none"> Traktor je udario strani predmet, zbog čega se aktivirala zaštita motora. Traktor se kreće unatrag s ikonom KOŠNJA UNATRAG ISKLJUČENA osvjetljenom na LCD zaslonu. 	<ul style="list-style-type: none"> Gurnite sklopku za PTO prema dolje, a zatim gore za ponovno pokretanje motora noža. Pritisnite PTO sklopku i ponovno prema dolje i ponovno pokrenite motore noža prema uputama u odjeljku „Za aktiviranje (uključivanje) KOŠNJE UNATRAG”.
Zvučni signal se nastavlja oglašavati.	<ul style="list-style-type: none"> Traktor je u načinu rada Limp-home, a noževi nisu isključeni. 	<ul style="list-style-type: none"> Pritisnite sklopku za PTO prema dolje da biste isključili motore noža. Zvučni signal prestat će se oglašavati nakon što se motori noža isključe.
	<ul style="list-style-type: none"> Traktor prestaje s radom na kosini, a rukovatelj ne sjedi na sjedal, pri čemu papučica parkirne kočnice nije u položaju parkirne kočnice. 	<ul style="list-style-type: none"> Postavite papučicu parkirne kočnice u položaj parkirne kočnice prije nego što traktor ostavite na kosini.
Indikatori napajanja na baterijskim modulima i dalje svijetle kada je traktor isključen.	<ul style="list-style-type: none"> U slučaju isključivanja traktora na ravnom tlu, bez prethodnog odvajanja baterijskih modula, indikatori napajanja nastaviti će svijetliti neko vrijeme. 	<ul style="list-style-type: none"> Ne morate učiniti ništa. Indikatori baterije će se ugasi kada se traktor isključi nakon nekog vremena. Za konkretno vrijeme pogledajte odjeljak „ZAUSTAVLJANJE TRAKTORA”.
	<ul style="list-style-type: none"> Kada je traktor isključen na kosini bez postavljanja parkirne kočnice, indikatori napajanja na baterijskim modulima ostat će uključeni dok se napunjenost baterije ne potroši. Istovremeno će se nastaviti oglašavati zvučni signal. 	<ul style="list-style-type: none"> Postavite papučicu parkirne kočnice u položaj parkirne kočnice prije nego što traktor ostavite na kosini. U protivnom traktor može skliznuti niz kosinu.

PROBLEM	UZROK	RJEŠENJE
LCD zaslon ne svijetli, a sve su ikone uključene.	<ul style="list-style-type: none"> Gumb za pokretanje/zaustavljanje nije pritisnut dovoljno dugo. 	<ol style="list-style-type: none"> Na LCD zaslonu „mjerač goriva” prikazat će se tek nakon kratkog pritiska na tipku Start/Stop. LCD zaslon uključit će se nakon potpunog pritiskanja papučice parkirne kočnice i pritiskanja gumba za pokretanje/zaustavljanje u dovoljnom trajanju, istovremeno.
	<ul style="list-style-type: none"> Kada ikona sigurnosnog ključa „” trepće na LCD zaslonu, sigurnosni ključ nije umetnut. 	<ul style="list-style-type: none"> Umetnite sigurnosni ključ, zatim potpuno pritisnite papučicu parkirne kočnice i pritisnite gumb za pokretanje/zaustavljanje dovoljno vremena istovremeno za uključivanje LCD zaslona.
	<ul style="list-style-type: none"> Kada ikona parkirne kočnice „” trepće na LCD zaslonu, papučica parkirne kočnice nije u potpunosti pritisnuta. 	<ul style="list-style-type: none"> Umetnite sigurnosni ključ, zatim potpuno pritisnite papučicu parkirne kočnice i pritisnite gumb za pokretanje/zaustavljanje dovoljno vremena istovremeno za uključivanje LCD zaslona.
Traktor kosi neravnomjerno, uz značajnu razliku u visini između prednje i stražnje strane.	<ul style="list-style-type: none"> Noževi su tupi. 	<ul style="list-style-type: none"> Naoštrite ili zamijenite rezne noževe u skladu s uputama iz ovog priručnika.
	<ul style="list-style-type: none"> Noževi su savijeni. 	<ul style="list-style-type: none"> Savijene rezne noževe zamijenite u skladu s uputama iz odjeljka „Zamjena reznih noževa”.
	<ul style="list-style-type: none"> Trup nije u niveliran, zbog čega dolazi do različitih visina otkosa. 	<ul style="list-style-type: none"> Nivelirajte trup u skladu s uputama iz odjeljka „Niveliranje trupa”.
Stvarna visina košnje nije u skladu s predviđenom.	<ul style="list-style-type: none"> Matice trupa su otpuštene na sponi ovjesa. 	<ul style="list-style-type: none"> Slijedite upute iz odjeljka „Niveliranje trupa” za pravilno podešavanje trupa traktora prema naprijed-natrag i čvrsto zategnite matice na sponi ovjesa.
	<ul style="list-style-type: none"> Trup je oštećen ili jako istrošen. 	<ul style="list-style-type: none"> Slijedite upute iz odjeljka „Uklanjanje trupa” kako biste zamijenili trup traktora.
Traktor ne malčira ispravno.	<ul style="list-style-type: none"> Mokri komadići trave zalijepljeni su za podnožje trupa. 	<ul style="list-style-type: none"> Pričekajte da se trava osuši, zatim nastavite s košnjom.
	<ul style="list-style-type: none"> Traktor je postavljen za košnju prevelike količine trave odjednom. 	<ul style="list-style-type: none"> Podignite visinu košnje na trupu.
Prekomjerne vibracije.	<ul style="list-style-type: none"> Rezni noževi su olabavljeni. 	<ul style="list-style-type: none"> Zategnite vijak noža preporučenim momentom.
	<ul style="list-style-type: none"> Noževi su savijeni. 	<ul style="list-style-type: none"> Savijene rezne noževe zamijenite u skladu s uputama iz odjeljka „Zamjena reznih noževa”.
	<ul style="list-style-type: none"> Trup nije niveliran. 	<ul style="list-style-type: none"> Nivelirajte trup traktora u skladu s uputama iz odjeljka „Niveliranje trupa”.
	<ul style="list-style-type: none"> Matice trupa su otpuštene na sponi ovjesa. 	<ul style="list-style-type: none"> Zategnite matice na polužju ovjesa.
	<ul style="list-style-type: none"> Trup je postavljen za košnju prevelike količine trave odjednom. 	<ul style="list-style-type: none"> Podignite visinu košnje na trupu.
Na tlu nakon košnje ostaje trava ili otpad.	<ul style="list-style-type: none"> Trup je postavljen za košnju prevelike količine visoke trave odjednom. 	<ul style="list-style-type: none"> Započnite s većom visinom košnje i smanjite je dok ne postignete željeni rezultat. Travu višu od 152 mm treba pokositi dvaput, drugi put s manjom visinom košnje.
	<ul style="list-style-type: none"> Trava je mokra. 	<ul style="list-style-type: none"> Nemojte kositi kada je trava mokra. Pričekajte da se trava osuši.
	<ul style="list-style-type: none"> Brzina vožnje je visoka. 	<ul style="list-style-type: none"> Smanjite brzinu vožnje.
	<ul style="list-style-type: none"> Brzina noža je niska. 	<ul style="list-style-type: none"> Postupno povećavajte brzinu vrtnje noža.
Kratko vrijeme rada traktora s uključenim baterijama.	<ul style="list-style-type: none"> Teren travnjaka, stanje trave, podešavanje visine rezanja, brzina vožnje, brzina noža itd. uvelike će utjecati na vrijeme rada. 	<ul style="list-style-type: none"> Podignite visinu košnje na trupu i usporite brzinu noža kako biste smanjili opterećenje košnje.

PROBLEM	UZROK	RJEŠENJE
Traktor se ne kreće ravno.	<ul style="list-style-type: none"> ■ Tlakovi u gumama lijevog i desnog stražnjeg kotača se razlikuju. 	<ul style="list-style-type: none"> ■ Provjerite i podesite tlak zraka u obje gume stražnjih kotača, prema preporuci u odjeljku „TEHNIČKI PODACI” u ovom priručniku.
Papučica parkirne kočnice ne može se otpustiti iz položaja parkirne kočnice ili se sporo vraća.	<ul style="list-style-type: none"> ■ Na putanji papučice parkirne kočnice nalaze se krhotine i otpad. 	<ul style="list-style-type: none"> ■ Provjerite i uklonite ostatke.
Traktor se ne puni putem priključka za punjenje, a indikator stanja traktora svijetli crveno.	<ul style="list-style-type: none"> ■ Utikač punjača nije pravilno umetnut u priključak za punjenje na traktoru. 	<ul style="list-style-type: none"> ■ Ponovno spojite utikač punjača kako biste provjerili može li se traktor normalno puniti.
	<ul style="list-style-type: none"> ■ U zidnim utičnicama nema struje. 	<ul style="list-style-type: none"> ■ Ne morate učiniti ništa. Pričekajte oporavak napajanja.
	<ul style="list-style-type: none"> ■ Neispravnost punjača. 	<ul style="list-style-type: none"> ■ Kontaktirajte servisni centar tvrtke EGO, provjeru i popravak punjača izvršit će ovlašteni servisni tehničar.
	<ul style="list-style-type: none"> ■ Priključak punjača na traktoru je neispravan. 	<ul style="list-style-type: none"> ■ Za popravak kontaktirajte servisni centar tvrtke EGO.
Vrijeme punjenja putem priključka za punjenje traktora je predugo.	<ul style="list-style-type: none"> ■ Punjenje EGO adapterom ACA1000 zahtijeva puno vremena. 	<ul style="list-style-type: none"> ■ Za izravno punjenje električne traktorske kosilice upotrijebite EGO punjač CHV1600E.
Baterije se ne mogu u potpunosti napuniti putem priključka za punjenje traktora.	<ul style="list-style-type: none"> ■ Greška u programskim datotekama traktora ili kvar baterijskog modula ili punjača. 	<ul style="list-style-type: none"> ■ Resetirajte punjač tako da ga isključite i ponovno uključite nakon nekoliko minuta. Utikač zatim ponovno utaknite u strujnu utičnicu. Ako to ne riješi problem, pozovite servisni centar tvrtke EGO.
Traktor se ne može pokrenuti nakon čišćenja.	<ul style="list-style-type: none"> ■ Neproписno čišćenje, uključujući ulazak vode u električne komponente, LCD zaslon itd. 	<ol style="list-style-type: none"> 1. Slijedite upute u odjeljku „OPĆE ODRŽAVANJE” kako biste ispravno očistili traktor. 2. Ako traktor slučajno ostane na kiši, ostavite da se osuši ili ga ispušite komprimiranim zrakom.
Trup se brzo začepljuje.	<ul style="list-style-type: none"> ■ Trup nije propisno očišćen nakon prethodne uporabe. 	<ul style="list-style-type: none"> ■ Nakon svake upotrebe očistite trup traktora prema uputama iz odjeljka „Čišćenje trupa pomoću priključka za pranje”.
Traktor lako gubi vuču pri penjanju uzbrdo.	<ul style="list-style-type: none"> ■ Gume stražnjih kotača su istrošene. 	<ul style="list-style-type: none"> ■ Zatražite pomoć lokalnog servisa za zamjenu kotača.
	<ul style="list-style-type: none"> ■ Košnja na strmoj padini. 	<ul style="list-style-type: none"> ■ Traktor se ne smije koristiti za košnju kosina strmijih od potrebnih stupnjeva.
Kada se traktor zaustavi na kosini s uključenom papučicom parkirne kočnice, može se kotrljati niz kosinu.	<ul style="list-style-type: none"> ■ Komponente kočnica iznimno su istrošene zbog nepravilnog rada traktora. 	<ul style="list-style-type: none"> ■ Za popravak kontaktirajte servisni centar tvrtke EGO.
Iz otvora za pranje ne dolazi voda prilikom pranja platforme.	<ul style="list-style-type: none"> ■ Brza spojnica priključka za pranje nije propisno montirana na priključak za pranje. 	<ul style="list-style-type: none"> ■ Ponovno spojite spojnicu priključka za pranje sve dok nakon čvrstog pritiska ne začujete jasan klik. Ako to ne daje rezultat, pozovite servisni centar tvrtke EGO.
Kada ručno gurnete traktor bez pokretanja, čuje se nenormalan zvuk.	<ul style="list-style-type: none"> ■ Iz magneta u pogonskom motoru dopire zvuk. 	<ul style="list-style-type: none"> ■ Nije potrebno poduzimati ništa; to je normalno.
Kolo upravljača se ne može okretati.	<ul style="list-style-type: none"> ■ Sklop kola upravljača zaglavljene je otpadom. 	<ul style="list-style-type: none"> ■ Provjerite i uklonite ostatke.
Traktor se ne okreće lijevo/desno kada se kolo upravljača okreće.	<ul style="list-style-type: none"> ■ Kvar elektroničkih ili mehaničkih komponenti. 	<ul style="list-style-type: none"> ■ Za popravak obratite se u servisni centar tvrtke EGO.
Traktor se ne zaustavlja prilikom otpuštanja papučice gasa.	<ul style="list-style-type: none"> ■ Povratni put papučice gasa zagavljen je otpadom. 	<ul style="list-style-type: none"> ■ Provjerite i uklonite ostatke.
	<ul style="list-style-type: none"> ■ Gumb CCS se nehотиčno je pritisnut za vrijeme vožnje. Traktor je u načinu rada s tempomatom 	<ul style="list-style-type: none"> ■ Provjerite svijetli li ikona CCS na LCD zaslonu i po potrebi izađite iz CCS-a. Pogledajte poglavlje „UPOTREBA TEMPOMATA (CCS)”

PROBLEM	UZROK	RJEŠENJE
CCS funkcija se ne može aktivirati ili isključiti.	<ul style="list-style-type: none">▪ Gumb CCS nije pravilno pritisnut.	<ul style="list-style-type: none">▪ Držite pritisnutim gumb CCS dok ikona CCS ne zasvijetli na LCD zaslonu ili nestane s LCD zaslona.
Prednji kotači traktora vrte se uz neuobičajenu buku	<ul style="list-style-type: none">▪ Čahure osovine prednjih kotača zahtijevaju podmazivanje.	<ul style="list-style-type: none">▪ Izvadite baterijske module, a zatim napunite priključke za ubrizgavanje mašću tako da mast prelije gornji rub ili donji rub čahura osovine prednjih kotača.

REFERENCA ZA STANJA TRAKTORA

LCD zaslon	Opis	Indikator stanja traktora	Zvučni indikator	Uzrok	Rješenje
	Ikona mjerača goriva	ISKLJUČENO	Ne	Označava prosječan kapacitet napunjenosti umetnutih baterija	To je normalan rad. Ne morate učiniti ništa.
	Ikona brojila sati rada	ISKLJUČENO	Ne	Prikazuje ukupno vrijeme vožnje traktora u satima i ne može se ponovno postaviti.	To je normalan rad. Ne morate učiniti ništa.
	Ikona indikatora opterećenja	ISKLJUČENO	Ne	Označava trenutno opterećenje traktora.	To je normalan rad. Ne morate učiniti ništa.
	Ikona LED svjetala svijetli na LCD zaslonu.	ISKLJUČENO	Ne	Prednja svjetla uključuje sklopka LED svjetla.	To je normalan rad. Ne morate učiniti ništa.
	Bluetooth ikona svijetli na LCD zaslonu	ISKLJUČENO	Ne	Traktor je spojen na mobilni uređaj putem Bluetootha.	To je normalan rad. Ne morate učiniti ništa.
	Ikona KOŠNJA UNATRAG ISKLJUČENA svijetli na LCD zaslonu.	ISKLJUČENO	Ne	Označava da se noževi ne mogu uključiti kada se traktor kreće unatrag.	To je normalan rad. Ako je potrebno, uključite noževe tijekom vožnje unatrag slijedeći odjeljak „ UKLJUČIVANJE NOŽEVA TIJEKOM VOŽNJE UNATRAG ” u priručniku.
	Ikona vožnje svijetli na LCD zaslonu.	ISKLJUČENO	Ne	Označava da se traktor može voziti ili da vozi naprijed.	To je normalan rad. Postavite ručicu za upravljanje smjerom u položaj „D”, neutralni ili „R” prema potrebi.
	Ikona za unatrag svijetli na LCD zaslonu.	ISKLJUČENO	Ne	Označava da se traktor može voziti ili da vozi unatrag.	
	Ikona pogona i ikona za unatrag trepću naizmjenično	ISKLJUČENO	Ne	Ukazuje da se traktor ne može voziti.	
	Uključuje se ikona sigurnosnog ključa	ISKLJUČENO	Ne	Sigurnosni ključ je ispravno umetnut.	To je normalan rad. Ne morate učiniti ništa.
	Ikona sigurnosnog ključa trepće kada LCD zaslon prikazuje „mjerač goriva”.	ISKLJUČENO	Ne	Sigurnosni ključ nije umetnut.	Umetnite sigurnosni ključ, zatim potpuno pritisnite papučicu parkirne kočnice i istovremeno pritisnite gumb za pokretanje/zaustavljanje dulje od 3 s kako biste uključili traktor.
				Sklop kutije s upravljačkom pločom s tipkama je slomljen.	Za popravak kontaktirajte servisni centar tvrtke EGO.

LCD zaslon	Opis	Indikator stanja traktora	Zvučni indikator	Uzrok	Rješenje
	Ikona parkirne kočnice trepće kada LCD zaslon prikazuje „mjerač goriva”.	ISKLJUČENO	Ne	Papučica parkirne kočnice nije utisnuta.	S umetnutim sigurnosnim ključem, potpuno pritisnite papučicu parkirne kočnice i istovremeno pritisnite gumb za pokretanje/zaustavljanje dulje od 3 s da biste uključili traktor.
	Ikona parkirne kočnice trepće kada LCD zaslon prikazuje sučelje rukovatelja.	ISKLJUČENO	Ne	Pritisnite papučicu gasa prije nego što pritisnete papučicu parkirne kočnice kako bi indikator traktora svijetlio zeleno.	Pokrenite traktor ispravno prema odjeljku „ POKRETANJE TRAKTORA ”.
	Ikona parkirne kočnice svijetli	ISKLJUČENO	Ne	Papučica parkirne kočnice postavljena je u položaju parkirne kočnice.	Otpustite je prije pokretanja traktora.
	Ikona senzora sjedala svijetli	ISKLJUČENO	Ne	Rukovatelj napušta sjedalo ili je sustav sigurnosnog blokiranja sjedala isključen.	Ako ikona svijetli dok rukovatelj sjedi na sjedalu, odmah prekinite rad traktora i provjerite priključak sjedala. Ako je priključak sjedala na traktor ispravan, obratite se ovlaštenom servisnom tehničaru za popravak.
	Trepće ikona PTO sklopke	ISKLJUČENO	Ne	Prekinut je rad motora noža, a PTO sklopka nije postavljena u isključeni položaj.	Prije ponovnog pokretanja traktora, pritisnite PTO sklopku prema dolje da biste isključili motore noža. Za reference pogledajte odjeljak „ RJEŠAVANJE PROBLEMA ” u ovom priručniku.
	Ikona određenog odjeljka za baterije trepće.	ISKLJUČENO	Ne	Prekoračenje struje za određenu bateriju tijekom pražnjenja.	Ne morate učiniti ništa. Traktor može nastaviti s radom ako kombinirani kapacitet baterija, ne računajući bateriju s previsokom strujom, iznosi minimalno 15 Ah. Nakon što se baterija s previsokom strujom vrati u normalu, odmah će se pridružiti napajanju traktora i ikona će nestati.
	Zatreptat će ikona praznog odjeljka za bateriju.	ISKLJUČENO	Ne	Kapacitet baterije nije dovoljan za rad traktora.	Kako biste pokrenuli traktor, upotrijebite dovoljan broj EGO baterija prema uputama u odjeljku „ SPAJANJE/ODSPAJANJE BATERIJSKOG MODULA ” u ovom priručniku.

LCD zaslon	Opis	Indikator stanja traktora	Zvučni indikator	Uzrok	Rješenje
	Istovremeno trepće ikona temperature i konkretnog popunjenog baterijskog pretinca.	ISKLJUČENO	Ne	Baterijski modul u pripadajućem numeriranom pretincu za bateriju se pregrijava.	<ol style="list-style-type: none"> Traktor može nastaviti s radom ako kombinirani kapacitet baterija u Ah, ne računajući pregrijanu bateriju, ispunjava zahtjev. Nakon što se pregrijana baterija vrati na normalnu temperaturu, odmah će se pridružiti punjenju traktora. Ako je kombinirani kapacitet baterija ne ispunjava zahtjev, traktor neće raditi sve dok u prazna mjesta za baterije ne umetnete još baterijskih modula. Smanjite opterećenje traktora podizanjem visine košnje na trupu ili usporavanjem košnje pri nastavku rada.
	Ikona temperature trepće.	ISKLJUČENO	Jedan signal	Traktor se pregrijava.	Smanjite opterećenje traktora podizanjem visine košnje na trupu ili usporavanjem brzine noža/vožnje. Napravite pauzu i pustite traktor da se ohladi.
	Ikona upozorenja trepće	Treperi crveno	Jedan signal	Traktor je prehladan.	Nemojte ponavljati pokušaje koji mogu oštetiti stroj. Traktor i baterije čuvajte u toplom okruženju. Ponovno pokrenite traktor kada se zagrije.
	Ikona upozorenja trepće	Treperi crveno	Jedan signal	Motor noža je preopterećen.	Povećajte visinu košnje na trupu ili usporite brzinu vožnje kako biste smanjili opterećenje traktora.
	Ikona upozorenja trepće	Treperi crveno	Jedan signal	Bočni ispusni žlijeb začepljen je travom i otpadom.	Očistite bočni ispusni žlijeb nakon svake uporabe.
	Ikona svakog zauzetog odjeljka za bateriju i ikona upozorenja trepću svake sekunde istovremeno na LCD zaslonu.	Treperi crveno	Signal se neće zaustaviti dok ne pritisnete PTO sklopku.	Postoji smetnja između noža i trupa traktora.	Obratite se servisnom centru tvrtke EGO
	Ikone svakog zauzetog odjeljka za bateriju i ikona upozorenja trepću svakih pola sekunde.	Treperi crveno	Signal se stalno ponavlja	Baterijski moduli su gotovo prazni i traktor je u načinu rada Limp Home.	Prestanite s radom i vratite se na mjesto za punjenje baterije. NAPOMENA: Kada je traktor u načinu rada Limp Home, noževi automatski prelaze u način rada za sporo okretanje, a zvučni signal se pritom nastavlja oglašavati. Rukovatelj treba pritisnuti PTO sklopku prema dolje kako bi isključio motore noževa. Zvučni signal prestat će se oglašavati nakon što se noževi zaustave.
	Ikona svakog zauzetog odjeljka za bateriju i ikona upozorenja trepću svakih pola sekunde.	Treperi crveno	Signal se stalno ponavlja	Prekinut je rad motora noža, a PTO sklopka nije postavljena u isključeni položaj.	Traktor će odmah prestati s radom. Rukovatelj mora transportirati traktor na mjesto za punjenje baterije.

LCD zaslon	Opis	Indikator stanja traktora	Zvučni indikator	Uzrok	Rješenje
	CCS ikona svijetli na LCD zaslonu	Stalno svijetli zeleno	Ne	Traktor nastavlja naprijed zadanom brzinom bez potrebe za pritiskanjem papučice gasa.	To je normalan rad. Ako je potrebno, isključite funkciju CCS slijedeći odjeljak „ Za zaustavljanje (zatvaranje) tempomata (CCS) ” u priručniku.
	Na LCD zaslonu trepće CCS ikona.	ISKLJUČENO	Ne	Funkcija CCS (tempomat) ne radi. Papučica parkirne kočnice je pritisnuta kako bi se zaustavio traktor.	Funkcija CCS ne može se postaviti kada traktor vozi vrlo malom brzinom ili kada vozi unatrag. Nakon otpuštanja papučice parkirne kočnice pritisnite gumb CCS i CCS ikona će svijetliti na LCD zaslonu ili zatvorite funkciju CCS prema uputama u odjeljku „ Za zaustavljanje (zatvaranje) tempomata (CCS) ”.
	Na LCD zaslonu svijetli ikona nedostajućeg spremnika	nedostupno	Ne	Označava da spremnik za travu nije montiran na traktor ili nije pravilno montiran.	Pravilno montirajte spremnik za travu na traktor.
	Na LCD zaslonu trepće ikona punog spremnika.	nedostupno	Ne	To označava da je spremnik za travu pun.	Ispraznite spremnik za travu i pravilno ga vratite.
nedostupno	nedostupno	ISKLJUČENO	Signal se stalno ponavlja	Traktor je parkiran na kosini, a rukovatelj ga napušta bez postavljanja papučice parkirne kočnice na položaj parkirne kočnice.	Postavite papučicu parkirne kočnice u položaj parkirne kočnice. Ikona parkirne kočnice će zasvijetliti i zvučni signal će se isključiti.
ISKLJUČENO	Greška priključka za punjenje	Stalno svijetli CRVENO	nedostupno	Nema napajanja.	Provjerite zidnu utičnicu kako biste se uvjerali daje li napon 220–240 V i je li utičnica ispravna.
		Stalno svijetli CRVENO	nedostupno	Greške s elektronikom kao što je prekid kruga priključka za punjenje, pregorio osigurač itd.	Za popravak kontaktirajte servisni centar tvrtke EGO.

PODACI O KODOVIMA POGREŠKE

Opis	Šifra kvara na LCD-u	Zvučni indikator	Rješenje
Lijevi motor noža se ne okreće.	509	Jedan signal	Prvo pregledajte nož. Ako je olabavljen, zategnite vijak preporučenim momentom. U protivnom se za popravak obratite u servisni centar tvrtke EGO.
Desni motor noža se ne okreće.	609	Jedan signal	

OBAVIJEST: U slučaju svih drugih kodova grešaka koji se prikazuju na LCD zaslonu i koji mogu ukazivati na kvar PCBA, labav spoj, kvar pogonskog motora, motora s noževima itd., uklonite sve baterijske module i ponovno ih vratite za nekoliko minuta kako biste ponovno pokrenuli traktor. Ako to ne otkloni problem, zabilježite kod greške i kontaktirajte servisni centar tvrtke EGO za popravak.

JAMSTVO

PRAVILA U VEZI JAMSTVA PROIZVOĐAČA EGO

Cjelokupne uvjete i odredbe pravila jamstva proizvođača EGO potražite na internetskoj stranici egopowerplus.eu.

წაიკითხეთ მთლიანი ინსტრუქცია!



გაეცანით მომხმარებლის ინსტრუქციას

უსაფრთხოების სიმბოლოები

უსაფრთხოების სიმბოლოების მიზანია ყურადღების გამახვილება შესაძლო საფრთხეებზე. ყურადღებით გაეცანით უსაფრთხოების სიმბოლოებს და მათ შესაბამის განმარტებებს. საშიშროების აღმნიშვნელი სიმბოლოები თავისთავად არ ანეიტრალებს რაიმე საფრთხის არსებობის რისკს. მათ მიერ მოწოდებული მითითებები და გაფრთხილებები არ არიან შემთხვევის თავიდან აცილების სწორი პროცედურის შემცველები.

▲ გაფრთხილება: მოწყობილობის გამოყენებამდე ყურადღებით აღნიშნულ სახელმძღვანელოში მოცემულ უსაფრთხოების წესებს, მათ შორის ყველა უსაფრთხოების სიმბოლოს, როგორცაა „საშიშროება“, „გაფრთხილება“ და „ყურადღება“. ქვემოთ ჩამოთვლილი მითითებების შეუსრულებლობამ შეიძლება გამოიწვიოს დენის დარტყმა, ხანძარი და/ან სხეულის სერიოზული დაზიანება.

სიმბოლოების მნიშვნელობა

აღნიშნულ გვერდზე მოცემულია და განმარტებულია ის უსაფრთხოების სიმბოლოები, რომლებიც დაიტანება პროდუქტის ეტიკეტზე. გაეცანით და მიყევით მოწყობილობის ინსტრუქციას მის აწყობამდე და ჩართვამდე.

უსაფრთხოების წესის სიმბოლოები



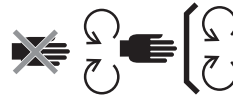
სიგნალი საფრთხის შესახებ



წაიკითხეთ და გაეცანით მომხმარებლის სახელმძღვანელოს.



თვალების დაცვა



დამცავი მექანიზმის ტექნიკური მომსახურება



საშიშროება - ციცაბო ფერდობი



საშიშროება - მოარიდეთ სხვა პირები მჭრელ კომპონენტებს.



არ დასვათ ბავშვები



გაიხედეთ უკან უკუსვლით მოძრაობისას.



ყურადღება - არ გამოიყენოთ ეს მანქანა ფერდობებზე, სადაც ხარდა 12°-ზე მეტია



საშიშროება - გამოტყორცნილი საგნები



გაფრთხილება - მოარიდეთ ხელები და ფეხები მჭრელ ნაწილებს



გარანტირებული ხმის სიმძლავრის დონე. ევროკავშირის რეგულაციების შესაბამისად.



ელექტრო პროდუქტის ნარჩენები არ გადაყაროთ საყოფაცხოვრებო ნარჩენებთან ერთად. წაიღეთ შესაბამის გადამამუშავებელ საწარმოში.



სამუშაო ტერიტორიაზე არ დაიშვებიან სხვა პირები.



ფრთხილად - არ უყუროთ ლამფას, როცა მუშაობს.



აღნიშნული პროდუქტი აკმაყოფილებს ევროსაბჭოს დირექტივების მოთხოვნებს.



KA

	მუდმივი დენი
kPa	კილოპასკალი
V	ვოლტი
in	დიუმი
Nm	ნიუტონ მეტრი
°C	ცელსიუსი
km/h	კილომეტრი საათში

**UK
CA**

RPM	ბრუნის წუთში
m	მეტრი
cm	სანტიმეტრი
mm	მილიმეტრი
kg	კილოგრამი
IPX4	წყლის შეღწევისგან დაცვა

აღნიშნული პროდუქტი აკმაყოფილებს გაერთიანებული სამეფოს კანონმდებლობით დადგენილ მოთხოვნებს.

სიმბოლოები ამ სახელმძღვანელოში



ინფორმაცია უნდა აღინიშნოს



მითითებული მოქმედება ჩერდება

სპეციფიკაციები

მაბვა	56 ვოლტი	
ქვედა ნაწილის ზომა	98 სმ	
ბორბლის ზომა	წინა	15 x 6 – 6 დიუმი
	უკანა	18 x 7,5 – 8 დიუმი
ცივი საბურავის წნევა	წინა	96,5 კპა
	უკანა	170 კპა
მჭრელი პირის ბრუნვის სიჩქარე (ბრუნის წუთში)	3000-მდე	
მოდრაობის მაქსიმალური სიჩქარე	წინსვლა	9,6 კმ/სთ -მდე
	უკუსვლა	4,8 კმ/სთ -მდე
ჭრის სიმაღლის რეგულირება (12 პოზიცია)	25 - 100 მმ	
ჰაერის მუხტის ტემპერატურა	5°C - 40°C	
საექსპლუატაციო ტემპერატურა	0°C – 40°C	
შენახვის ტემპერატურა	-20°C – 70°C	
წონა (აკუმულატორების ბლოკის გარეშე)	220 კგ	
გაზომილი ხმის სიმძლავრის დონე L_{WA}	97,7 dB(A) K=1,75 dB(A)	
ბგერის წნევის დონე მომხმარებლის ყურზე L_{PA}	83,6 dB(A) K=3 dB(A)	
გარანტირებული ხმის სიმძლავრის დონე L_{WA} (გაზომილი 2000/14/EC რეგულაციის მიხედვით)	100 დბ(A)	
ვიბრაცია a_h	ხელი	0,24 მ/წმ ² K=1,5 მ/წმ ²
	სხეული	0,18 მ/წმ ² K=1,5 მ/წმ ²

- მითითებული ვიბრაციის სრული მნიშვნელობა გაზომილია სტანდარტული ტესტირების მეთოდით და შესაძლოა გამოყენებულ იქნას ერთი მოწყობილობის მეორესთან შედარებისას.
- მითითებული ვიბრაციის სრული სიდიდე ასევე შესაძლოა გამოყენებულ იქნას ზემოქმედების პირველადი შეფასებისას.

შენიშვნა: ელექტრო ხელსაწყოს ფაქტობრივი გამოყენებისას ვიბრაციის ემისია შესაძლოა განსხვავდებოდეს მითითებული სიდიდისგან; მომხმარებელმა მოწყობილობით სარგებლობისას საჭიროა გამოიყენოს ხელთათმანები და სმენის დამცავი საშუალებები.

რეკომენდებული აქსესუარები

▲ გაფრთხილება: გამოიყენეთ მხოლოდ ქვემოთ ჩამოთვლილი აქსესუარები. ისეთი აქსესუარების გამოყენებამ, რომლებიც არ აკმაყოფილებს ორიგინალი ნაწილების სპეციფიკაციებს, შესაძლოა გამოიწვიოს მოწყობილობის არასათანადო მუშაობა და უსაფრთხოების ნორმების დარღვევა.

ნაწილის დასახელება	მოდელის ნომერი
დანის პირების ნაკრები	AB3801TD
მულჩირების მოწყობილობა	AMP3800T

KA

აღწერა

იკნობდეთ ბალახის საკრეჭ მანქანას (ნახ. A1)

1. სავარძელი
2. ჭიქის დამჭერები
3. უკანა თვალი (წამყვანი თვალი) (x2)
4. რეცხვის პორტი (x2)
5. ქვედა ნაწილი
6. სკალპირების საწინააღმდეგო მოწყობილობა (x2)
7. წინა ბორბალი (x2)
8. წინა ბამპერი
9. სადგომი მუხრუჭის პედალი
10. LED პროექტორები (x2)
11. კვების ბლოკი
12. საცავის ნაკვეთური
13. სადგომი მუხრუჭის ჩამკეტი პედალი
14. საჭე
15. სავარძლის სიმაღლის მარეგულირებელი
16. ბალახის ტომარა
17. დატენვის პორტი
18. USB პორტი
19. შესანახი კალათი
20. ამაჩქარებელი პედლები
21. ჭრის სიმაღლის მარეგულირებელი
22. წვერის ბერკეტი
23. სახელური
24. გაზონის საკრეჭი მანქანის სტატუსის ინდიკატორი
25. მჭრელი პირების მოძრაობის სიჩქარის რეგულირების ღილაკი
26. თიბვა უკუსვლის ღილაკი
27. ჩართვა -გამორთვის ღილაკი
28. მიმართულების საკონტროლო ბერკეტი
29. უსაფრთხოების გასაღები
30. სიმძლავრის ასართმევი ღილაკი
31. CCS ღილაკი
32. LED განათების ღილაკი / Bluetooth ღილაკი
33. მოძრაობის სიჩქარის რეგულირების ღილაკი
34. კვების ბლოკის ხუფის მოხსნის ღილაკი
35. კვების ბლოკის ხუფი
36. დენის წყარო ექვსი ბატარეის სექციით
37. აკუმულატორის გამშვები ღილაკი

1. CCS ხატულა
2. დამცავი მექანიზმის სტატუსის ინდიკატორი
3. "თიბვა უკუსვლით გამორთულია" ხატულა
4. ტარების ხატულა
5. უკუსვლის ხატულა
6. უსაფრთხოების გასაღების ხატულა
7. LED განათების პიქტოგრამა
8. Bluetooth-ის ხატულა
9. მჭრელი პირების ბრუნვის სიჩქარის მაჩვენებელი
10. ამპერსაათის მრიცხველი
11. საწვავის დონის მაჩვენებელი
12. ტემპერატურის ხატულა
13. გამაფრთხილებელი ხატულა (მოწყობილობა გადატვირთვა/დაბალი სიმძლავრე)
14. ცარიელი აკუმულატორის ნაკვეთურის ხატულა
15. დაკავებული აკუმულატორის ნაკვეთურის ხატულა
16. შეცდომის კოდის ინდიკატორი
17. დატვირთვის მაჩვენებელი
18. მოძრაობის სიჩქარის ინდიკატორი
19. სავსე ჩანთის ხატულა
20. ჩანთის ხატულა არ მოიძებნა

შეფუთვიდან ამოღება

შენიშვნა: შეინახეთ შესაფუთი მასალა პროდუქტის ყურადღრებით შემოწმებამდე და დამაკმაყოფილებელ გამოყენებამდე. იმ შემთხვევაში, თუ შეფუთვის ფურცელში მითითებული რომელიმე ნაწილი დამონტაჟებულია მოწყობილობაზე, დაუყოვნებლივ დაუკავშირდით EGO სამსახურს.

შენიშვნა: ქვემოთ მოცემულ შეფუთვის ფურცელში მითითებული ინსტრუმენტების გარდა, სახელმძღვანელოში ყველა სხვა ინსტრუმენტი უბრალოდ რეკომენდაციის სახითაა აღნიშნული, მაგრამ არ არის მოწოდებული.

შეფუთვის ჩამონათვალი (სურ. B)

B-1	ბალახის საჭრელი ელექტრო მანქანა	B-2	სავარძელი
B-3	საჭე	B-4	მტვერდამცავი
B-5	კომბინირებული ქანჩები	B-6	18 მმ-იანი სოკეტის ქანჩი
B-7	საფეხურების ქანჭიკები (1 სათადარიგო)	B-8	M8 ქანჩი (1 სათადარიგო)
B-9	M12 ქანჩი (1 სათადარიგო)	B-10	საყელური (1 სათადარიგო)
B-11	უსაფრთხოების გასაღები	B-12	რეცხვის პორტის სწრაფი კონექტორი

KA

იკნობდეთ თქვენს LCD ეკრანს (ნახ. A2)

LCD ეკრანზე გამოტანილი ხატულებისა და ინდიკატორების შესახებ დამატებითი ინფორმაციისთვის იხილეთ პუნქტი - „ბალახის საჭრელი მანქანის სტატუსის ინდიკატორი“ და „დაზიანების კოდი“.

B-13	მომხმარებლის სახელმძღვანელო	B-14	ბალახის ტომარა (ორი კომპლექტი ჭანჭიკით და ქანჩით გვერდითი საბჯენისთვის)
B-15	U- ფორმის სამაგრი	B-16	გვერდითა საბჯენი
B-17	წვერის ბერკეტი	B-18	მარცხენა და მარჯვენა ჩანთის დასამაგრებელი საბჯენი
B-19	ჯვრის ბარი	B-20	M8X40 ჭანჭიკი
B-21	M8X25 ჭანჭიკი	B-22	M8 ქანჩი

ნაკრები

საჭის მონტაჟი (სურ. C1)

C1-1	საჭის სვეტი	C1-2	საჭე
C1-3	შუა გამყოფი ხაზი	C1-4	საყელური
C1-5	ქანჩი	C1-6	18 მმ-იანი სოკეტის ქანჩი
C1-7	მთვრის ხუფი		

სავარძლის დამონტაჟება (სურ. C2)

▲ გაფრთხილება: დამცავი ბლოკირების სისტემა არ უნდა იყოს გამორთული ან იგნორირებული. ამის გაკეთებამ შეიძლება გამოიწვიოს ბალახის საჭრელი მანქანის მოულოდნელად ჩართვა, რამაც შეიძლება გამოიწვიოს სხეულის დაზიანება.

C2-1	სავარძელი	C2-2	ქანჩი (M8)
C2-3	დამჭერი ჭანჭიკი	C2-4	როზეტი
C2-5	შტეკერი		

ბალახის ტომრის დაყენება (ნახ. C3 – C8)

C3-1	U- ფორმის სამაგრი	C3-2	ტომარა
C3-2	4 კომპლექტი ჭანჭიკები და ქანჩები (M8 X 40)	C3-4	კომბინირებული ქანჩი
C4-1	გვერდითი საბჯენი	C4-2	4 კომპლექტი ჭანჭიკები და ქანჩები (M8 X 40)
C4-3	კომბინირებული ქანჩი	C5-1	წვერის ბერკეტი
C5-2	1 კომპლექტი ჭანჭიკი და ქანჩი (M8 X 40)	C5-3	კომბინირებული ქანჩი
C6-1	ჩანთის დამხმარე სამაგრი	C6-2	4 კომპლექტი ჭანჭიკები და ქანჩები (M8 X 25)
C6-3	კომბინირებული ქანჩები	C7-1	ჯვრის ბარი
C7-2	2 ქანჩი (M8)	C7-3	კომბინირებული ქანჩი

რეგულირება

რეგულირებამდე (სურ. D1)

კრეჭვის სიმაღლის რეგულირება (სურ. D2)

სკალპირების საწინააღმდეგო მოწყობილობის ბორბალი (სურ. D3 – D6)

D3-1	სკალპირების საწინააღმდეგო ბორბალი	D5-1	ქანჩი
D5-2	ყრუ ჭანჭიკი	D6-1	ქვედა ნაწილის სიმაღლის მონიშვნა

სავარძლის რეგულირება (სურ. D7)

D7-1	სავარძლის სიმაღლის მარეგულირებელი
------	-----------------------------------

ექსპლუატაცია

ექსპლუატაციამდელი შემოწმება (სურ. E1)

სადგომი მუხრუჭის რეგულირება (სურ. E2)

E2-1	სადგომი მუხრუჭის პოზიცია	E2-2	თავისუფალი პოზიცია
------	--------------------------	------	--------------------

▲ გაფრთხილება: სადგომ მუხრუჭე პედლებს არ შეუძლიათ მართვის სიჩქარის შენელება. არასდროს სცადოთ პარკირების სამუხრუჭე პედლებზე დაჭერა მართვის სიჩქარის შესანელებლად მისი ტარების დროს. როდესაც პარკირების სამუხრუჭე პედალი დაჭერილ მდგომარეობაშია, მაგრამ არ არის გადაყვანილი პარკირების სამუხრუჭე პოზიციაში, ელექტრო მუხრუჭი აღარ არის ეფექტური და ბალახის საჭრელი მანქანა შეწყვეტს მოძრაობას სწორ ზედაპირზე. მაგრამ თუ ეს მოხდება ფერდობზე, ბალახის საკრეჭი მანქანა შეიძლება დაცურდეს ფერდობზე თუ სადგომი მუხრუჭის პედალზე არ იქნება დაჭერილი.

▲ გაფრთხილება: მოქაჩეთ სადგომი მუხრუჭის ჩამკეტი პედლის ბერკეტი და დააჭირეთ სადგომი მუხრუჭის პედალს მყისიერად, რომ მოხდეს სადგომი მუხრუჭის აღნიშნულ პოზიციაში დაფიქსირება გადაუდებელი შემთხვევებში, ბალახის საჭრელი მანქანა მამინვე გაჩერდება და არ დაგორდება დაღმართზე.

აკუმულატორის ბლოკის დამაგრება/მოხსნა (სურ. E3 – E6)

ამ ბალახის საკრეჭი მანქანის ჩასართავად, საჭიროა 15 ა/სთ (2 X BA4200/BA4200T) ან მეტი სიმძლავრის EGO აკუმულატორები. საუკეთესო შედეგებისთვის, რეკომენდებულია 30 ან მეტი ა/სთ EGO აკუმულატორების გამოყენება.

E3-1	ხუფის მოხსნის ღილაკი	E5-1	აკუმულატორის მოხსნის ღილაკი
------	----------------------	------	-----------------------------

ბალახის საკრეჭი მანქანის დამუხტვა

გამოიყენეთ მხოლოდ რეკომენდებული აკუმულატორების ბლოკები და დამტენები:

- დატენეთ აკუმულატორების ბლოკი (ებ)ი ცალ-ცალკე (სურ. E7)
შენიშვნა: დეტალური მითითებებისთვის იხილეთ აკუმულატორისა და დამტენის სახელმძღვანელოები.
- აკუმულატორების ბლოკ(ებ)ის დატენვა შესაძლებელია დატენვის პორტის საშუალებით (სურ. E8 – E10)

E10-1	მტვერდამცავი	E10-2	დატენვის პორტი
-------	--------------	-------	----------------

დამცავი ბლოკირების სისტემის ტესტირება

- შეამოწმეთ მჭრელი პირების სისტემა (სურ. E11 – E12).
- შეამოწმეთ მართვის სისტემა (სურ. E13 – E14)

იმ შემთხვევაში, თუ მძღოლის ადგომის დროს მჭრელი პირები და/ან მართვის სისტემა არ გამოირთო, აგრეთვე თუ მიზეზი ვერ დადგინდა სავარძლის შტეკერისა და როზეტის შეერთების შემოწმების შემდეგ, დაუყოვნებლივ დაუკავშირდით EGO-ს კლიენტთა მომსახურების განყოფილებას.

საკომუნიკაციო ტექნოლოგია

ინფორმაციისთვის ან დაკავშირებული პროდუქტებისა და სერვისების სრული ასორტიმენტის სანახავად, დაკავშირების ინსტრუქციების ჩათვლით, დაასკანირეთ ქვემოთ მოცემული QR კოდი ან ეწვიეთ ბმულს www.egopowerplus.eu/connect.



KA

მუშაობის დაწყებამდე შემოწმება

- მოარიდეთ სამუშაო ადგილს ბავშვები, სხვა პირები და შინაური ცხოველები.
- გაასუფთავეთ სამუშაო ადგილი იმ საგნებისგან, რომლებიც შეიძლება აისხლიტოს ბალახის საკრეჭი მანქანის მჭრელმა პირებმა.

- ბალახის საკრეჭი მანქანა გაასუფთავეთ ნარჩენებისგან.
- შეამოწმეთ ზონარების და სხვა მსგავსი ელემენტების არსებობა.
- შეამოწმეთ და დარწმუნდით, რომ ყველა დამცავი ელემენტი ადგილზეა და მუშაობს გამართულად.
- ვიზუალურად შეამოწმეთ საბურავები, ხომ არ არის დაშვებული.
- შეამოწმეთ მუხრუჭები.
- დაარეგულირეთ ბაქანის სიმაღლე ჭრის სასურველ პოზიციაზე, რომელიც საუკეთესოდ შეეფერება გაზონს და შესაბამისად დაარეგულირეთ ცვეთის საწინააღმდეგო ბორბლები.
- დაარეგულირეთ სკამის პოზიცია და დარწმუნდით, რომ ორივე პედალზე წვდომა შეგიძლიათ.
- შეამოწმეთ აკუმულატორის დამუხტვის დონე.
- შეამოწმეთ დამცავი ბლოკირების სისტემა.
- დარწმუნდით, რომ ბალახის ჩანთა სწორად არის დაყენებული.

ბალახის საკრეჭი მანქანის ამუშავება (სურ. E15 – სურ. E16)

▲ გაფრთხილება: მოერიდეთ მკვეთრ მოძრაობებს, გაჩერებას და მოხვევებს, აგრეთვე გადაჭარბებულ სიჩქარეს, განსაკუთრებით მაშინ, თუ პირველად მართავთ ბალახის საკრეჭი მანქანას. ბალახის საკრეჭი მანქანას შეუძლია სწრაფად მობრუნება, რამაც შეიძლება დაგაკარგვინოთ კონტროლი და გამოიწვიოს სხეულის სერიოზული დაზიანება და/ან ზარალი.

▲ გაფრთხილება: ბალახის საკრეჭი მანქანის მუშაობის დაწყებამდე, შეამოწმეთ და დარწმუნდით, მჭრელი პირები თუ არის გათიშული, PTO-ს ქვევით გადაწევიდან 5 წმ-ში. თუ პირების მოძრაობა არ გაჩერდა, არ გამოიყენოთ ბალახის საკრეჭი მანქანა და დაუყოვნებლივ დაუკავშირდით EGO-ს კლიენტთა მომსახურების განყოფილებას.

შენიშვნა:

- თუ სადგომი სამუხრუჭე პედალები დაყენებულია სადგომ-სამუხრუჭე პოზიციაზე, თქვენ უნდა დააჭიროთ მხოლოდ დაწყების/გაჩერების ღილაკს 3 წამის განმავლობაში, რომ განათდეს LCD ეკრანი და შემდეგ, ბალახის საკრეჭი მანქანის მართვის დაწყებამდე აუშვით სადგომ სამუხრუჭე პედალს.
- ჭრის პირების ჩართვა შეიძლება ნებისმიერ დროს, მას შემდეგ, რაც LCD ეკრანი სრულად განათდება და მიმართულების საკონტროლო ბერკეტი არ იქნება გადაყვანილი უკან „R“ მიმართულებით. ბალახის საკრეჭი ტრაქტორის გადაადგილებისას პირების რვერსულ პოზიციაში ჩასართავად, ამ სახელმძღვანელოში იხილეთ განყოფილება „პირის ჩართვა რვერსული მართვის დროს“.

შენიშვნა: იხელმძღვანელებით სურ. 17 და ისარგებლეთ მოძრაობის ყველაზე დაბალი სიჩქარით, სანამ სრულყოფილად არ შეძლებთ ბალახის საკრეჭი მანქანის მართვას ყველა სიტუაციაში.

გაზონის საკრეჭი ელექტრო მანქანა არ იმასხვრებს მართვის სიჩქარეს და დანის სიჩქარის პარამეტრებს. მართვის სიჩქარე და დანის სიჩქარე დაბრუნდება მე-2 დონეს ყოველ ჯერზე როდესაც ბალახის საკრეჭი მანქანა გამორთულია.

მართვის სიჩქარის რეგულირება (სურ. E17)

მჭრელი პირების რეგულირება (სურ. E18)

შენიშვნა: როდესაც „დონე 3“-შია, კვლავ დააჭირეთ დანის სიჩქარის რეგულირების ღილაკს და დანის სიჩქარე განაახლებს წინა სიჩქარეს.

LED განათება (სურ. E19)

- LED ფარები შეიძლება ჩართული და გამორთული იყოს LED სინათლის გადამრთველით.

USB პორტი

შენიშვნა: USB პორტი უზრუნველყოფს 5 ვოლტიან DC დატენვის სიმძლავრეს საერთო 1,5 ამპერამდე და იტენება მხოლოდ მაშინ, როდესაც საკრეჭი მანქანა ჩართულია.

ბალახის საკრეჭი მანქანის შეჩერება (სურ. E20)

▲ გაფრთხილება: ყოველთვის დააყენეთ სადგომი მუხრუჭის პედალი სადგომი მუხრუჭის პოზიციაზე, როდესაც ბალახის საკრეჭი მანქანა შეწყვეტს ფერდობზე მოძრაობას, წინააღმდეგ შემთხვევაში, ბალახის საკრეჭი მანქანა შეიძლება ფერდობზე დაგორდეს, რამაც შეიძლება გამოიწვიოს ბალახის საკრეჭი მანქანის სერიოზული დაზიანება ან პირადი დაზიანება!

შენიშვნა: იმ სიტუაციაში, როდესაც პარკინგ-სამუხრუჭე პედლები დაყენებულია პარკინგ-სამუხრუჭე პოზიციაზე და ოპერატორი არ ზის სავარძელზე, მაგრამ აკუმულატორის ბლოკი არ არის ამოღებული:

- იმ შემთხვევაში, თუ LCD ეკრანი გამორთულია, აკუმულატორის მუხტის მაჩვენებლები, ჩართვა/გამორთვის ღილაკი და CCS ღილაკი ანთია 1 საათის განმავლობაში.
- იმ შემთხვევაში, თუ LCD ეკრანი აჩვენებს „საწვავის დონეს“ ან ოპერატორის ინტერფეისს, ბალახის საკრეჭი მანქანა ავტომატურად გამორთვება 1 საათის შემდეგ.

ავარიული რეჟიმი

როდესაც აკუმულატორის მუხტი კრიტიკულად დაბალი ხდება, ბალახის საკრეჭი მანქანა გადადის ავარიული რეჟიმზე, რათა შეინარჩუნოს საკმარისი ძალა, რომ დაბრუნდეს დატენვის ზონაში.

- მჭრელი პირები გადადიან დაბალი როტაციის სიჩქარეზე და შეუძლიათ მოჭრან ბალახის ძალიან მცირე რაოდენობა. მაღალი და უხეში ბალახის შეხვედრისთანავე, პირები შეწყვეტენ ბრუნვას. აუდიო მაჩვენებელი გამოსცემს წყვეტილ ბგერებს (წრიპინებს).
- ბალახის საკრეჭი მანქანის სტატუსის მაჩვენებელი ყოველ წამში წითლად ციმციმებს, ორივე, განგაშის ხატულა (დაბალი სიმძლავრის მაჩვენებელი) და აკუმულატორის თითოეული ნაკვეთურის ხატულა იციმციმებს.

ოპერატორმა უნდა:

- დააჭიროს PTO გადამრთველს ქვემოთ რომ გათიშოს პირების მოძრაობა. ხმოვანი ინდიკატორი შეწყვეტს ხმაურს, როდესაც გაჩერდება მჭრელი პირები.
- შეწყვიტეთ მუშაობა და დაუყოვნებლივ გასწიეთ დატენვის ზონაში. ბალახის საკრეჭი მანქანას შეუძლია დაფაროს მაქს. 1000 მ.

თითქმის დაცლილი აკუმულატორის შემთხვევაში, ორივე, განგაშის ხატულა (დაბალი სიმძლავრის მაჩვენებელი) და თითოეული სააკუმულატორო ნაკვეთურის პიქტოგრამა ყოველ ნახევარ წამში ციმციმებს. ბალახის საკრეჭი მანქანა მყისიერად გაჩერდება. ოპერატორმა ბალახის საკრეჭი მანქანა დასატენად უნდა გადაიყვანოს აკუმულატორის დატენვის ზონაში.

შენიშვნა: ხელით მიწოლის აუცილებლობის შემთხვევაში, დარწმუნდით, რომ გათიშეთ ბალახის საკრეჭი მანქანის აკუმულატორები და პარკირების-სადგომი მუხრუჭის პედალი გამორთეთ პარკირების-სადგომი მუხრუჭის პოზიციიდან.

ბალახის საკრეჭი მანქანის მართვა (სურ. E21)

▲ საშიშროება: არ მიუახლოვდეთ თხრილებს, ციცაბო დაღმართებს ან წყალს სულ მცირე თიბვის ორი სიგანის მანძილზე. წინა ბორბლები ბრუნავს, როცა ბალახის საკრეჭი მანქანა გაჩერებულია, მუხრუჭის გამოყენების შემთხვევაშიც კი, ამიტომ მანქანა შეიძლება გადავიდეს კიდეზე ან ჩაგორდეს წყალში და გამოიწვიოს სიკვდილი ან სხეულის სერიოზული დაზიანება.

▲ გაფრთხილება: არ გამოიყენოთ აღნიშნული ბალახის საკრეჭი მანქანა გზის სავალ ნაწილზე.

▲ გაფრთხილება: ბლოკირების ან უცხო საგანთან დაჯახების შემდეგ გამორთეთ ძრავა და მოხსენით აკუმულატორები. მოაშორეთ მოჭრილი ბალახები, ფოთლები, მიწა და ნებისმიერი სხვა დაგროვილი ნარჩენები; ბალახის საკრეჭი მანქანის ყოველი გამოყენების წინ ყურადღებით შეამოწმეთ, ხომ არ დაზიანდა მანქანა, შეაკეთეთ დაზიანება.

შენიშვნა:

- მართვის დროს, თუ მიატოვებთ სავარძელს, ბალახის საკრეჭი მანქანის სტატუსის მაჩვენებელი გამოირთვება. მოძრაობის ხელახალა დაწყების დროს, გასწორდით სავარძელზე და ბოლომდე დააჭირეთ სადგომი მუხრუჭის პედალს, რათა ბალახის საკრეჭი მანქანის სტატუსის მაჩვენებელი მწვანედ აენთოს.
- მართვის პერიოდში წინ და უკუსვლებს შორის გადართვის დროს, მიმართულების საკონტროლო ბერკეტი პირდაპირ ერთი ბოლოდან მეორეზე გადაიტანეთ ნეიტრალურ მდგომარეობაზე გადართვის გარეშე, წინააღმდეგ შემთხვევაში ბალახის საკრეჭმა მანქანამ შეიძლება შეწყვიტოს მოძრაობა.

კრუიზ კონტროლის (CCS) გამოყენება

გააქტიურეთ (შედიოთ) კრუიზ კონტროლის (CCS) რეჟიმზე (ნახ. E22)

შენიშვნა: LCD ეკრანზე ნაჩვენებია მართვის სიჩქარე შეიძლება ზუსტად არ ასახავდეს კრუიზ კონტროლში ბალახის საკრეჭი მანქანის მართვის რეალურ სიჩქარეს. დააჭირეთ სიჩქარის კორექტირების ღილაკს LCD ეკრანზე მართვის სიჩქარის დონის „განახლებისა“ და რეგულირებისთვის.

კრუიზ კონტროლის (CCS) რეჟიმის შესაჩერებლად, შეგიძლიათ აირჩიოთ სამიდან ერთი გზა:

- დააჭირეთ ამაჩქარებელ პედალს და გააგრძელოთ დაჭერა. CCS ფუნქცია შეჩერდება და ბალახის საკრეჭი მანქანა გააგრძელებს მართვას.
- მსუბუქად დააჭირეთ ამაჩქარებელ პედალს და შემდეგ აუშვით მას. ბალახის საკრეჭი მანქანა და CCS ფუნქცია შეჩერდება.
- დააჭირეთ CCS ღილაკს. ბალახის საკრეჭი მანქანა და CCS ფუნქცია შეჩერდება.

შენიშვნა: როდესაც CCS შეჩერდება, „“ ხატულა გაქრება LCD ეკრანიდან და ორჯერ იქნება მკლე ხმოვანი სიგნალი.

შენიშვნა: თუ სადგომი მუხრუჭის პედალები დაჭერილ მდგომარეობაშია, ბალახის საკრეჭი მანქანა შეჩერდება, მაგრამ „“ ხატულა იციმციმებს LCD ეკრანზე, რაც მიუთითებს, რომ CCS ლოდინის რეჟიმშია. ამ შემთხვევაში, აუშვით სადგომი მუხრუჭის პარალდს, დააჭირეთ CCS ღილაკს. ბალახის საკრეჭი მანქანა ავტომატურად განახლებს მართვას და „“ ხატულა შეწყვეტს ციმციმს.

საჭრელი პირების ჩართვა უკუსვლით მოძრაობის დროს

შენიშვნა: უკუსვლით თიბვა არ არის რეკომენდებული.

▲ გაფრთხილება: იყავით უაღრესად ფრთხილად უკუსვლით თიბვის დროს. ყოველთვის დარწმუნდით, რომ არავინ არის სამუშაო სივრცეში, განსაკუთრებით პატარა ბავშვები, მუშაობის დაწყებამდე და უკუსვლით თიბვის დროს.

▲ გაფრთხილება: ოპერატორების ხილვადობა შეიძლება შეიზღუდოს ბალახის საკრეჭ მანქანაზე მიმაგრებული ბალახის ტომრით მუშაობის დროს. უკიდურესი სიფრთხილე და გარემოს გაცნობა უნდა მოხდეს ყოველთვის უკუსვლით თიბვის დაწყებამდე და მის დროს.

სათიბის უკუსვლის რეჟიმის (E23) გააქტიურება

სათიბის უკუსვლის რეჟიმიდან გამოსასვლელად, შეგიძლიათ აირჩიოთ ოთხიდან ერთი გზა:

- ერთხელ დააჭირეთ ღილაკს „თიბვა უკუსვლით“.
- ადექით ბალახის საკრეჭი მანქანის სავარძლიდან.
- LCD ეკრანის გამოსართავად დააჭირეთ ჩართვა/გამორთვის ღილაკს 3 წმ.
- ამოიღეთ უსაფრთხოების გასაღები ან აკუმულატორის ბლოკი ბალახის საკრეჭი მანქანის გამოსართავად.

შენიშვნა: როდესაც ფუნქცია „თიბვა უკუსვლით“ შეჩერებულია, „“ ხატულა ანთია LCD ეკრანზე.

ბალახის ტომრის დაცლა (ნახ. E24)

შენიშვნა: როდესაც „“ ხატულა LCD ეკრანზე ციმციმებს, ბალახის ტომარა სავსეა. მას შემდეგ, რაც ტომარა დაიცილება, „“ ხატულა გაქრება LCD ეკრანიდან.

შენიშვნა: ბალახის ტომრის შეცვლა სწორად უნდა მოხდეს ბალახის საკრეჭ მანქანაზე, წინააღმდეგ შემთხვევაში, მანქანა შეიძლება ამუშავდეს, მაგრამ საჭრელი დანის ძრავები შეიძლება არ ჩაირთოს.

KA

ტექნიკური მომსახურება

▲ გაფრთხილება: ყოველთვის გაიკეთეთ სათვალე გვერდითი დამცავი ფარებით. წინააღმდეგ შემთხვევაში, თვალში შეიძლება მოგხვდეთ სხვადასხვა საგანი, რამაც შეიძლება გამოიწვიოს სერიოზული დაზიანება.

▲ გაფრთხილება: ბალახის საჭრელი მანქანის მჭრელი პირების ტექნიკური მომსახურებისას ყოველთვის გაიკეთეთ მძიმე პირობებში მუშაობისთვის განკუთვნილი ხელთათმანები ან შეფუთეთ მჭრელი პირები ნაჭრებით ან სხვა მასალით. ყოველთვის მოხსენით უსაფრთხოების გასაღები და აკუმულატორის ბლოკი ბალახის საკრეჭი მანქანის შეკეთებისას ან ტრანსპორტირების დროს.

რეკომენდირებული ტექნიკური მომსახურების განრიგ(ებ)ი

ინტერვალი ტექნიკური მომსახურებებს შორის	ტექნიკური მომსახურების პროცედურა
ყოველი გამოყენების წინ ან ყოველდღიურად	<ul style="list-style-type: none"> შეამოწმეთ დამცავი ბლოკირების სისტემა. ვიზუალურად შეამოწმეთ საბურავები, ხომ არ არის დაშვებული. შეამოწმეთ მჭრელი პირები. შეამოწმეთ მთლიანი მოწყობილობა, ხომ არ არის დაზიანებული, დაკარგული ან მოშვებული მისი ნაწილები, როგორცაა გვერდითი დაცლის ღარი, ხრახნები, ქანჩები, ჭანჭიკები, ხუფები და ა.შ. დარწმუნდით, რომ ყველა დამცავი მოწყობილობა ადგილზეა და გამართულად მუშაობას. შეამოწმეთ და დარწმუნდით, რომ აჩქარების პედლების დაჭერა და აშვება გამართულად ხდება. შეამოწმეთ საჭის ამორტიზატორები. საჭე უნდა ტრიალებდეს გარკვეული წინააღმდეგობით.
ყოველი გამოყენების შემდეგ	<ul style="list-style-type: none"> გაწმინდეთ ბალახის საჭრელი მანქანა და გარეცხეთ ქვედა ნაწილი.
ყოველ 25 სთ-ში	<ul style="list-style-type: none"> შეამოწმეთ საბურავის წნევა.

ყოველ 100 სთ-ში	<ul style="list-style-type: none"> შეამოწმეთ უკანა ბორბლები, დარწმუნდით, რომ ბორბლის ქანჩები სათანადოდ არის მოჭერილი, რეკომენდებული მანრუნი მომენტით (101-103 ნმ). შეამოწმეთ წინა ბორბლები, დარწმუნდით, რომ ბორბლის ქანჩი სათანადოდ არის მოჭერილი რეკომენდებული მანრუნი მომენტით (90-92 ნმ).
ყოველ 200 სთ-ში	<ul style="list-style-type: none"> შეამოწმეთ წინა ბორბლები, ხომ თავისუფლად ტრიალებენ.
ყოველ ნახევარ წელიწადში	<ul style="list-style-type: none"> შეამოწმეთ სადგომი მუხრუჭის პედალი. ამოიღეთ აკუმულატორი ბალახის საკრეჭი მანქანიდან, შემდეგ მოქაჩეთ სადგომი მუხრუჭის ჩამკეტი ბერკეტი და დააჭირეთ სადგომი მუხრუჭის პედალს, რომ დააყენოთ სადგომი მუხრუჭი შესაბამის პოზიციაზე. ხელით მიაწექით ბალახის საკრეჭ მანქანას წინ, თუ მანქანა შეიძლება დაძრავდეს უკანა ბორბლების ტრიალის გარეშე. თუ ბალახის საკრეჭი მანქანა მოძრაობს და ამავდროულად უკანა ბორბლები ტრიალებს, რემონტისთვის დაუკავშირდით EGO მომხმარებელთა მომსახურების ცენტრს.
შენახვამდე	<ul style="list-style-type: none"> მოხსენით აკუმულატორი ბალახების საკრეჭი მანქანიდან. მოხსენით უსაფრთხოების გასაღები ბალახის საკრეჭი მანქანიდან. შეასრულეთ ზემოთ ჩამოთვლილი ყველა ტექნიკური პროცედურა და საფუძვლიანად გაასუფთავეთ ბალახის საკრეჭი მანქანა. ყოველი გამოყენების წინ შეამოწმეთ მთლიანი ხელსაწყო შესაძლო დაზიანებულ, დაკარგულ ან მოშვებულ ნაწილებზე, შეცვალეთ ან დაუჭირეთ ისინი გამოყენებამდე.
ყოველწლიურად	<ul style="list-style-type: none"> შეზეთეთ წინა ბორბლების ლილვის ჰილზები.

KA

ზოგადი სახის ტექნიკური მომსახურება

ბალახისგან გასუფთავება (ნახ. F1 – F3)

ბალახის საკრეჭი მანქანის კორპუსის გაწმენდა (სურ. F4)

გამოიყენეთ რეცხვის პორტი ბალახის საკრეჭი მანქანის ქვედა ნაწილის გასაწმენდად (სურ. F5 – F6)

F5-1	რეცხვის პორტი	F5-2	რეცხვის პორტის სწრაფი კონექტორი
F5-3	სარწყავი შლანგი		

შენიშვნა: დასუფთავების დასრულებისას, გამორთეთ ბალახის საკრეჭი მანქანა და შემდეგ მოხსენით სარწყავი შლანგი და სწრაფი მაერთებელი ქურო.

ბალახის საკრეჭი მანქანის ქვედა ნაწილის და მჭრელი პირების ტექნიკური მომსახურება

მომზადება (სურ. G1)

ბალახის საკრეჭი მანქანის ქვედა ნაწილის მოხსნა (სურ. G2 – G3)

G2-1	ძრავის კაბელი	G2-2	ჭილიბყურა
G2-3	საკიდრის ბერკეტი		

მჭრელი პირების შეცვლა (სურ. G4 – G6)

G4-1	სტაბილიზატორი	G5-1	ჭანჭიკი
G5-2	საყელური	G5-3	მჭრელი პირი
G5-4	კიდე	G5-5	ღერძი

ბალახის საკრეჭი მანქანის ქვედა ნაწილის გასწორება.

- ა. როდის უნდა მოხდეს გასწორება (სურ. G7 / სურ. G8 / სურ. G9)
- ბ. გასწორებამდე
 - ცივი საბურავის წნევის შემოწმება (სურ. G10).
 - მჭრელი პირების შემოწმება. მოხსენით და შეცვალეთ გაცვეთილი, გაბზარული და / ან გაღუნული პირები საჭიროების შესაბამისად.
- გ. გასწორებისთვის მომზადება (სურ. G11)
- დ. როგორ გავასწოროთ
 - გვერდითი ნაწილების რეგულირება (სურ. G12)
 - წინა-უკანა ნაწილის რეგულირება (სურ. G13)

შენახვა და ტრანსპორტირება

ბალახის საკრეჭი მანქანის ტრანსპორტირება (სურ. H1 – H5)

H2-1	რამპები	H2-2	ღველები
------	---------	------	---------

შენიშვნა: საჭიროების შემთხვევაში, დააფიქსირეთ ბალახის საკრეჭი მანქანა ღვედებით ან ტროსებით, რათა შეზღუდოთ მისი მოძრაობა ტრანსპორტირების დროს.

შენახვა (სურ. I1 – I2)

შენიშვნა: აკუმულატორების ბლოკების მოხსნასა და შენახვასთან დაკავშირებით გაცვანით შესაბამის ინსტრუქციებს.

შენახვის წინ გაასუფთავეთ და შეამოწმეთ ბალახის საკრეჭი მანქანა, იხილეთ „ზოგადი მოვლის პირობები“ და „რეკომენდებული ტექნიკური მომსახურების განრიგ(ებ)ი“.

გარემოს დაცვა




WEEE (ელექტრონული ნარჩენების და ელექტრონული მოწყობილობების მართვა). არ მოათავსოთ ელექტრონული მოწყობილობა, დამტენი და გამოყენებული აკუმულატორი საყოფაცხოვრებო ნარჩენებში! მიუტანეთ პროდუქტი ნარჩენების ავტორიზირებულ გადამამუშავებელს და უზრუნველყავით ასეთი ნარჩენის განცალკევებულად შეგროვება. ელექტრო ხელსაწყოები უნდა ჩაბარდეს გარემოს თვალსაზრისით თავსებად ნარჩენების გადამამუშავებელ ობიექტს.

დიაგნოსტიკა

პრობლემა	გამომწვევი მიზეზი	გადაჭრის გზა
<p>გაზონის ელექტრო მანქანას ვერ მართავთ, როდესაც ამაჩქარებლის პედლებზე დაჭერილია.</p>	<ul style="list-style-type: none"> ჩამონტაჟებული აკუმულატორების კომბინირებული ა/სთ არ აკმაყოფილებს მოთხოვნას. 	<ul style="list-style-type: none"> ამ ბალახის საკრეჭი მანქანის ასამუშავებლად გამოიყენეთ საკმარისი EGO აკუმულატორები ამ სახელმძღვანელოს განყოფილებაში „აკუმულატორის ჩამაგრება/მოხსნა“ მოცემული ინსტრუქციის შესაბამისად.
	<ul style="list-style-type: none"> სადგომი მუხრუჭის პედალი სამუხრუჭე პოზიციაშია. 	<ul style="list-style-type: none"> სამუხრუჭე პოზიციიდან გამოსასვლელად ბოლომდე დააჭირეთ სადგომი მუხრუჭის პედალს.
	<ul style="list-style-type: none"> გაზონის საკრეჭი მანქანის სტატუსის ინდიკატორი არ ანათებს მწვანედ. 	<ul style="list-style-type: none"> დააჭირეთ სადგომი მუხრუჭის პედალს და შემდეგ აუშვით მას. გაზონის საკრეჭი მანქანის სტატუსის ინდიკატორი ანთია მწვანედ, რაც იმას ნიშნავს, რომ გაზონის საკრეჭი მანქანა მზად არის ასამუშავებლად.
	<ul style="list-style-type: none"> მძლოლი არ ზის სავარძელზე. 	<ul style="list-style-type: none"> გაზონის საკრეჭი მანქანის მართვა დაშვებულია მხოლოდ იმ შემთხვევაში, თუ ოპერატორი სწორად ზის სავარძელზე.
	<ul style="list-style-type: none"> სავარძლის უსაფრთხოების შიდა ბლოკირების სისტემა არ არის დაკავშირებული სწორად. 	<ul style="list-style-type: none"> ამოიღეთ აკუმულატორი გაზონის საკრეჭი მანქანიდან და მოხსენით სავარძელი, რომ დარწმუნდეთ, კაბელის შტეფსელი სწორად არის დაკავშირებული სავარძლის ქვედა ნაწილში არსებულ სოკეტთან (იხილეთ პუნქტი „სავარძლის მონტაჟი“). მიჰყევით მითითებებს პუნქტში „ბალახის საკრეჭი მანქანის ამუშავება“ იმისთვის, რომ გადატვირთოთ ბალახის საკრეჭი მანქანა და შეამოწმოთ, თუ ამუშავდა. წინააღმდეგ შემთხვევაში, რემონტისთვის მიმართეთ EGO-ს კლიენტთა მომსახურების ცენტრს.
	<ul style="list-style-type: none"> ძალიან ცივ ამინდში მართვის ფუნქცია შეიძლება შეფერხდეს დაბალი ტემპერატურის გამო. 	<ul style="list-style-type: none"> ბალახის საკრეჭი მანქანა და აკუმულატორი ყოველთვის შეინახეთ თბილ გარემოში. გახურების შემთხვევაში, გადატვირთეთ ბალახის საკრეჭი მანქანა. ძალიან ცივ ამინდში ჩართვის რამდენიმე მცდელობისას მანქანა შეიძლება დაზიანდეს.
	<ul style="list-style-type: none"> აჩქარების პედლის სამოდრაო გზა გადაკეტილია ნარჩენებით. 	<ul style="list-style-type: none"> დაათვალიერეთ და მოაშორეთ ნარჩენები.
	<ul style="list-style-type: none"> აჩქარების პედლის მექანიკური ან ელექტრო კომპონენტების ხარვეზი. 	<ul style="list-style-type: none"> რემონტისთვის მიმართეთ EGO-ს კლიენტთა მომსახურების ცენტრს.
	<ul style="list-style-type: none"> მიმართულების საკონტროლო ბერკეტი მოთავსებულია ნეიტრალურ მდგომარეობაში. 	<ul style="list-style-type: none"> დააჭირეთ/გაიყვანეთ მიმართულების საკონტროლო ბერკეტი „D“ ან „R“ მიმართულებით.

KA

პრობლემა	გამომწვევი მიზეზი	გადაჭრის გზა
ბალახის საკრეჭი ელექტრო მანქანა გაჩერდა.	<ul style="list-style-type: none"> მართვის დროს წინ და უკუსვლის რეჟიმებს შორის გადართვისას, მიმართულების საკონტროლო ბერკეტი დიდხანს რჩება ნეიტრალურ მდგომარეობაში. 	<ul style="list-style-type: none"> აუშვით ამჩქარებელ პედალს და შემდეგ ხელახლა დააჭირეთ მას.
	<ul style="list-style-type: none"> აჩქარების პედლის ელექტრო კომპონენტების ხრვეზი. 	<ul style="list-style-type: none"> რემონტისთვის მიმართეთ EGO-ს კლიენტთა მომსახურების ცენტრს.
	<ul style="list-style-type: none"> სავარძლის უსაფრთხო ჩაკეტვის სისტემა გამოირთო რთულ რელიეფზე მართვის დროს. 	<ul style="list-style-type: none"> ამოიღეთ აკუმულატორი გაზონის საკრეჭი მანქანიდან და მოხსენით სავარძელი, რომ დარწმუნდეთ, კაბელის შტეფსელი სწორად არის დაკავშირებული სავარძლის ქვედა ნაწილში არსებულ სოკეტთან (იხილეთ პუნქტი „სავარძლის მონტაჟი“). მიჰყევით მითითებებს პუნქტში „ბალახის საკრეჭი მანქანის ამუშავება“ იმისთვის, რომ გადატვირთოთ ბალახის საკრეჭი მანქანა და შეამოწმოთ, თუ ამუშავდა. თუ არა, რემონტისთვის მიმართეთ EGO-ს კლიენტთა მომსახურების ცენტრს.
	<ul style="list-style-type: none"> ოპერატორის წონა თანაბრად არ არის გადანაწილებული სავარძელზე. სავარძელზე ოპერატორის წონა უნდა შეადგენდეს მინიმუმ 20 კგ, რომ სავარძლის უსაფრთხოების საკეტის სისტემა სწორად ფუნქციონირებდეს 	<ol style="list-style-type: none"> მოთავსდით სავარძელზე სწორად, ბოლომდე დააჭირეთ სადგომი მუხრუჭის პელაღს და აუშვით იგი, ბალახის საკრეჭი მანქანა მზად არის სამართავად. საჭიროების შემთხვევაში, გათიშეთ და ხელახლა მიამაგრეთ აკუმულატორები.
	<ul style="list-style-type: none"> პარკირების სამუხრუჭე პედლებზე საკმარისად დაჭერილია, მაგრამ არ არის ჩაკეტილი დგომის პოზიციაზე, ბალახის საკრეჭი მანქანა გაჩერდება. 	<ul style="list-style-type: none"> მიჰყევით მითითებებს პუნქტში „ბალახის საკრეჭი მანქანის ამუშავება“ ბალახის საკრეჭი მანქანის თავიდან ჩასართავად.

პრობლემა	გამომწვევი მიზეზი	გადაჭრის გზა
<p>ელექტრონული ბალახის საკრეჭი მანქანის პირები არ მუშაობს, როცა PTO გადამრთველი ჩართულია.</p> <p> PTO გადამრთველის ხატულა ციმციმებს.</p>	<ul style="list-style-type: none"> ჩამონტაჟებული აკუმულატორების კომბინირებული ა/სთ არ აკმაყოფილებს მოთხოვნას. 	<ul style="list-style-type: none"> ამ ბალახის საკრეჭი მანქანის ასამუშავებლად გამოიყენეთ საკმარისი EGO აკუმულატორები ამ სახელმძღვანელოს განყოფილებაში „აკუმულატორის ჩამაგრება/მოხსნა“ მოცემული ინსტრუქციის შესაბამისად.
	<ul style="list-style-type: none"> PTO გადამრთველი არ იყო ქვემოთ გადაწეული, როდესაც ბალახის საკრეჭი მანქანა ბოლოს გააჩერეს. 	<ul style="list-style-type: none"> დააჭირეთ PTO გადამრთველს ქვემოთ და გადატვირთეთ ბალახის საკრეჭი მანქანის მჭრელი პირების ძრავა.
	<ul style="list-style-type: none"> ბალახის საკრეჭი მანქანა გადატვირთულია მჭრელი პირების მოძრაობის დაწყებისას, რაც იწვევს ძრავის თავდაცვის გააქტიურებას. 	<ul style="list-style-type: none"> ბალახის ჭრა თავდაპირველად დაიწყეთ უფრო დაბალი სიჩქარით და სანამ მჭრელი პირები არ დაიწყებენ წარმატებულ ბრუნვას, ნუ მოუმატებთ პირების მოძრაობის სიჩქარეს.
	<ul style="list-style-type: none"> ძალიან ცივ ამინდში, მჭრელი პირების ძრავის ფუნქცია შეიძლება შეფერხდეს დაბალი ტემპერატურის გამო. 	<ul style="list-style-type: none"> ბალახის საკრეჭი მანქანა და აკუმულატორი ყოველთვის შეინახეთ თბილ გარემოში. გახურების შემთხვევაში, გადატვირთეთ ბალახის საკრეჭი მანქანა. ძალიან ცივ ამინდში ჩართვის რამდენიმე მცდელობისას მანქანა შეიძლება დაზიანდეს.
	<ul style="list-style-type: none"> მჭრელი პირი ედება ბალახის საკრეჭი მანქანის დეფორმირებულ ქვედა ნაწილს. 	<ul style="list-style-type: none"> შესაკვებლად მიმართეთ EGO-ს კლიენტთა მომსახურების ცენტრს.
	<ul style="list-style-type: none"> ბალახის ტომარა არ არის დაყენებული სწორად. 	<ul style="list-style-type: none"> დააყენეთ ბალახის ტომარა სწორად, ამისთვის მიჰყავით ამ სახელმძღვანელოს სექციაში „ბალახის ტომრის დაყენება“ მოცემულ მითითებებს.

პრობლემა	გამომწვევი მიზეზი	გადაჭრის გზა
მჭრელი პირები გაჩერდა ბალახის მოჭრის დროს.	<ul style="list-style-type: none"> ბალახის საკრეჭი მანქანა გადატვირთულია. 	<ul style="list-style-type: none"> ბალახის საკრეჭი მანქანის დატვირთვის შესამცირებლად, გაზარდეთ ჭრის სიმაღლე ან შეამცირეთ მართვის სიჩქარე.
	<ul style="list-style-type: none"> გაზონის საკრეჭი მანქანის ქვედა ნაწილი გადაჭედებულია ბალახით და ნარჩენებით. 	<ul style="list-style-type: none"> გაწმინდეთ ბალახის საკრეჭი მანქანის ქვედა ნაწილი და შეამოწმეთ, ხომ თავისუფლად მოძრაობენ მჭრელი პირები.
	<ul style="list-style-type: none"> ბალახის საკრეჭი მანქანა გადახურებულია. 	<ul style="list-style-type: none"> შეამცირეთ ბალახის საკრეჭი მანქანის დატვირთვა ჭრის სიმაღლის გაზრდით ან პირების მოძრაობის/მართვის სიჩქარის შემცირებით და აცალეთ ბალახის საკრეჭი მანქანას, რომ გაგრილდეს.
	<ul style="list-style-type: none"> ბალახის საკრეჭი მანქანის აკუმულატორის ბლოკის ნაკვეთურში აკუმულატორების ბლოკ(ებ)ი გადახურებულია, რის შედეგადაც ყველა ჩამონტაჟებული აკუმულატორის საერთო ა/სთ არ აკმაყოფილებს მოთხოვნებს. 	<ol style="list-style-type: none"> ბალახის საკრეჭი მანქანა გააგრძელებს მუშაობას, თუ აკუმულატორის საერთო ა/სთ, გადახურებული აკუმულატორის გარეშე, აკმაყოფილებს მოთხოვნებს. როგორც კი გადახურებული აკუმულატორი დაუბრუნდება ნორმალურ ტემპერატურას, მაშინვე აღდგება ბალახის საკრეჭი მანქანის ელკვება. თუ აკუმულატორის საერთო ა/სთ სიმძლავრე არ აკმაყოფილებს მოთხოვნებს, ბალახის საკრეჭი მანქანა არ იმუშავებს მანამ, სანამ მეტი აკუმულატორების ბლოკი არ დაემატება აკუმულატორის ცარიელ ნაკვეთურში. მუშაობის განახლებისას, შეამცირეთ გაზონის საკრეჭი მანქანის დატვირთვა ჭრის სიმაღლის გაზრდით ან მართვის სიჩქარის შენელებით.
	<ul style="list-style-type: none"> ბალახის საკრეჭი მანქანა ავარიულ რეჟიმშია. 	<ul style="list-style-type: none"> ბალახის საკრეჭი მანქანის ავარიულ რეჟიმში ყოფნის დროს, მჭრელი პირები ავტომატურად გადადის ბრუნვის დაბალ სიჩქარეზე. ოპერატორმა უნდა შეწყვიტოს მუშაობა და დაუყონებლივ მივიდეს აკუმულატორის დატენვის ზონაში.
	<ul style="list-style-type: none"> ბალახის საკრეჭი მანქანა დაეჯახა უცხო საგანს, რის შედეგადაც ჩაირთო ძრავის დაცვა. 	<ul style="list-style-type: none"> დააჭირეთ PTO გადამრთველს ქვემოთ და გადატვირთეთ ბალახის საკრეჭი მანქანის მჭრელი პირების ძრავა.
	<ul style="list-style-type: none"> გაზონის საკრეჭი მანქანის უკუსვლით მოძრაობის დროს LCD ეკრანზე განათებულია “უკუსვლით თიბვა გამორთლია” ხატულა. 	<ul style="list-style-type: none"> დააჭირეთ PTO გადამრთველს და გადატვირთეთ მჭრელი პირის ძრავები სექციაში „უკუსვლით თიბვის აქტივაცია“ მოცემული მითითებების შესაბამისად.
KA ხმოვანი სიგნალი კვლავ ბგერებს გამოსცემს.	<ul style="list-style-type: none"> ბალახის საკრეჭი მანქანა ავარიულ რეჟიმშია და მჭრელი პირები არ არის გამორთული. 	<ul style="list-style-type: none"> დააჭირეთ PTO გადამრთველს ქვემოთ მჭრელი პირების ძრავის გასათიშად. ხმოვანი სიგნალი გამოირთვება, როდესაც მჭრელი პირების ძრავა გაჩერდება;
	<ul style="list-style-type: none"> ბალახის საკრეჭი მანქანა გაჩერდა ფერდობზე, მძლარი დგება სავარძლიდან ისე, რომ სადგომი მუხრუჭის პედალი არ არის სამუხრუჭე პოზიციაში. 	<ul style="list-style-type: none"> ბალახის საკრეჭი მანქანის ფერდობზე დატოვებამდე, სადგომი მუხრუჭის პედალი გადართეთ სადგომი მუხრუჭის მდგომარეობაში.

პრობლემა	გამომწვევი მიზეზი	გადაჭრის გზა
აკუმულატორის ბლოკებზე დენის მაჩვენებლები მაინც ანთია, როდესაც საკრეჭი მანქანა გამორთულ მდგომარეობაშია.	<ul style="list-style-type: none"> სწორ ზედაპირზე, აკუმულატორების ბლოკ(ებ) ის ამოღების გარეშე, ბალახის საკრეჭი მანქანის გამორთვის შემთხვევაში კვების მაჩვენებელი ანთია გარკვეული პერიოდის განმავლობაში. 	<ul style="list-style-type: none"> არანაირი ჩარევა არ არის საჭირო. აკუმულატორის კვების ინდიკატორები გამოირთვება ბალახის საკრეჭი მანქანის გამორთვიდან გარკვეული პერიოდის შემდეგ. კონკრეტული დროისთვის იხილეთ პუნქტი „ბალახის საკრეჭი მანქანის გაჩერება“.
	<ul style="list-style-type: none"> ფერდობზე ბალახის საკრეჭი მანქანის გამორთვამდე სადგომი მუხრუჭის პედლის სამუხრუჭე პოზიციაში გადაყვანის გარეშე, აკუმულატორის მუხტის ინდიკატორი დარჩება ანთებული აკუმულატორის დაცვამდე. ამავდროულად აუდიო ინდიკატორი აგრძელებს ხმის გამოცემას. 	<ul style="list-style-type: none"> ბალახის საკრეჭი მანქანის ფერდობზე დატოვებამდე, სადგომი მუხრუჭის პედალი გადართეთ სადგომი მუხრუჭის მდგომარეობაში. წინააღმდეგ შემთხვევაში, ბალახის საკრეჭი მანქანა შეიძლება ფერდობზე დაგორდეს.
LCD ეკრანი არ განათდება თუ ყველა ხატულა ანთია.	<ul style="list-style-type: none"> ჩართვა/გამორთვის ღილაკზე დაჭერის დრო არ არის საკმარისი. 	<ol style="list-style-type: none"> LCD ეკრანზე „საწვავის დონის მაჩვენებელი“ გამოჩნდება მხოლოდ ჩართვა/გამორთვის ღილაკზე მოკლე დაჭერისას. LCD ეკრანი ჩაირთვება სადგომი მუხრუჭის პედალზე ბოლომდე დაჭერის შემდეგ და გარკვეული დროით ერთდროულად დაწყების/გაჩერების ღილაკზე დაჭერის შემდეგ.
	<ul style="list-style-type: none"> როდესაც უსაფრთხოების გასაღების ხატულა „“ ციმციმებს LCD ეკრანზე, ეს ნიშნავს რომ უსაფრთხოების გასაღები არ არის მოთავსებული. 	<ul style="list-style-type: none"> მოათავსეთ უსაფრთხოების გასაღები, შემდეგ ბოლომდე დააჭირეთ სადგომი მუხრუჭის პედალს და გარკვეული დროით ერთდროულად დააჭირეთ დაწყება/გაჩერების ღილაკს, რომ ჩაირთოს LCD ეკრანი.
	<ul style="list-style-type: none"> როდესაც სადგომი მუხრუჭის ხატულა „“ ციმციმებს LCD ეკრანზე, ეს ნიშნავს, რომ სადგომი მუხრუჭის პედალზე ბოლომდე არ არის დაჭერილი. 	<ul style="list-style-type: none"> მოათავსეთ უსაფრთხოების გასაღები, შემდეგ ბოლომდე დააჭირეთ სადგომი მუხრუჭის პედალს და გარკვეული დროით ერთდროულად დააჭირეთ დაწყება/გაჩერების ღილაკს, რომ ჩაირთოს LCD ეკრანი.
ბალახის საკრეჭი მანქანა ჭრის არათანაბრად, მნიშვნელოვანი სხვაობით სიმაღლის თვალსაზრისით წინიდან უკანა მხარეს.	<ul style="list-style-type: none"> მჭრელი პირები დაბლაგვებულა. 	<ul style="list-style-type: none"> გააღესეთ ან შეცვალეთ მჭრელი პირები, როგორც ეს მითითებულია წინამდებარე სახელმძღვანელოში.
	<ul style="list-style-type: none"> მჭრელი პირები გაღუნულია. 	<ul style="list-style-type: none"> შეცვალეთ გაღუნული მჭრელი პირები, იხელმძღვანელეთ მითითებებით პუნქტში „მჭრელი პირების შეცვლა“
	<ul style="list-style-type: none"> ბალახის საკრეჭი მანქანის ქვედა ნაწილი არ არის სწორი, რის შედეგადაც პირები სხვადასხვა სიმაღლეზე ჭრის ბალახს. 	<ul style="list-style-type: none"> გაასწორეთ ბალახის საკრეჭი მანქანის ქვედა ნაწილი, იხელმძღვანელეთ მითითებებით პუნქტში „ბალახის საკრეჭი მანქანის გასწორება“.

პრობლემა	გამომწვევი მიზეზი	გადაჭრის გზა
ბალახის ჭრის რეალური სიმაღლე არ შეესაბამება მოთხოვნილ სიმაღლეს.	<ul style="list-style-type: none"> ბალახის საკრეჭი მანქანის ქვედა ნაწილის ქანჩები მოშვებულია საკიდრის ბერკეტზე. 	<ul style="list-style-type: none"> მიჰყევით მითითებებს პუნქტში „ბალახის საკრეჭი მანქანის ქვედა ნაწილის გასწორება“, რათა უზრუნველყოთ წინიდან უკანა მხარეს ჭრის რეგულირება და საკიდრის ბერკეტზე ქანჩების საიმედოდ მოჭერა.
	<ul style="list-style-type: none"> ბალახის საკრეჭი მანქანის ქვედა ნაწილი დაზიანებული ან სერიოზულად გაცვეთილია. 	<ul style="list-style-type: none"> ბალახის საკრეჭი მანქანის ქვედა ნაწილის შესაცვლელად, მიჰყევით მითითებებს სექციაში „ბალახის საკრეჭი მანქანის ქვედა ნაწილის შეცვლა“.
გაზონის საკრეჭი მანქანა სწორად არ აკეთებს მულჩირებას.	<ul style="list-style-type: none"> სველი ბალახის ნარჩენები მიწეპებულია ქვედა ნაწილზე უკანა მხრიდან. 	<ul style="list-style-type: none"> დაელოდეთ სანამ ბალახი გაშრება მოთიბვამდე.
	<ul style="list-style-type: none"> გაზონის საკრეჭი მანქანა ერთბაშად ძალიან ბევრ ბალახს ჭრის. 	<ul style="list-style-type: none"> გაზარდეთ ჭრის სიმაღლე.
გადაჭარბებული ვიბრაცია.	<ul style="list-style-type: none"> მჭრელი პირები მოშვებულია. 	<ul style="list-style-type: none"> მოუჭირეთ მჭრელი პირის ჭანჭიკს რეკომენდებული მატრუნი მომენტით.
	<ul style="list-style-type: none"> მჭრელი პირები გაღუნულია. 	<ul style="list-style-type: none"> შეცვალეთ გაღუნული მჭრელი პირები, იხელმძღვანელეთ მითითებებით პუნქტში „მჭრელი პირების შეცვლა“.
	<ul style="list-style-type: none"> ბალახის საკრეჭი მანქანის ქვედა ნაწილი არ არის სწორი. 	<ul style="list-style-type: none"> გაასწორეთ ბალახის საკრეჭი მანქანის ქვედა ნაწილი, იხელმძღვანელეთ მითითებებით პუნქტში „ბალახის საკრეჭი მანქანის ქვედა ნაწილის გასწორება“.
	<ul style="list-style-type: none"> ბალახის საკრეჭი მანქანის ქვედა ნაწილის ქანჩები მოშვებულია საკიდრის ბერკეტზე. 	<ul style="list-style-type: none"> მოუჭირეთ ქანჩებს საკიდრის ბერკეტზე.
	<ul style="list-style-type: none"> გაზონის საკრეჭი მანქანა მომართულია, მოჭრას ერთბაშად ძალიან ბევრი ბალახი. 	<ul style="list-style-type: none"> გაზარდეთ ჭრის სიმაღლე.
მოთიბვის შემდეგ მიწაზე რჩება ბალახი ან ნარჩენები.	<ul style="list-style-type: none"> ბალახის საკრეჭი მანქანა მომართულია, მოჭრას ერთბაშად ძალიან ბევრი ბალახი, როდესაც ბალახი მაღალია. 	<ul style="list-style-type: none"> დაიწყეთ მაღალ სიმაღლეზე ჭრით და შეამცირეთ, სანამ სასურველ შედეგს არ მიიღებთ. 152 მმ-ზე მეტი სიმაღლის ბალახი ორჯერ უნდა გაითიბოს, თანმიმდევრულად დაბალ ჭრის სიმაღლეებზე.
	<ul style="list-style-type: none"> ბალახი სველია. 	<ul style="list-style-type: none"> ნუ გათიბავთ, როდესაც ბალახი სველია. დაელოდეთ სანამ ბალახი გაშრება მოთიბვამდე.
	<ul style="list-style-type: none"> მართვის სიჩქარე მაღალია. 	<ul style="list-style-type: none"> შეამცირეთ მოძრაობის სიჩქარე.
	<ul style="list-style-type: none"> მჭრელი პირის მოძრაობის სიჩქარე დაბალია. 	<ul style="list-style-type: none"> თანდათან გაზარდეთ მჭრელი პირების მოძრაობის სიჩქარე.
ბალახის საკრეჭი მანქანის მუშაობის ხანგრძლივობა ძალიან მცირეა არსებული აკუმულატორის პირობებში.	<ul style="list-style-type: none"> გაზონის რელიეფი, ბალახის მდგომარეობა, ჭრის სიმაღლის პარამეტრი, მართვის სიჩქარე, მჭრელი პირი სიჩქარე და ა.შ. დიდ გავლენას მოახდენს მუშაობის დროზე. 	<ul style="list-style-type: none"> ჭრის დატვირთვის შემცირების მიზნით, გაზარდეთ ჭრის სიმაღლე ან შეანელეთ მჭრელი პირების მოძრაობის სიჩქარე.

პრობლემა	გამომწვევი მიზეზი	გადაჭრის გზა
ბალახის საკრეჭი მანქანა არ მოძრაობს სწორ ხაზზე.	<ul style="list-style-type: none"> მარცხენა და მარჯვენა უკანა ბორბლების საბურავის წნევა განსხვავებულია. 	<ul style="list-style-type: none"> შემოწმეთ და დაარეგულირეთ ჰაერის წნევა ორივე წინა საბურავში, იხელმძღვანელეთ მითითებებით პუნქტში „სპეციფიკაციები“.
სადგომი მუხრუჭის პედლის გადაყვანა ვერ ხერხდება დგომის სამუხრუჭე პოზიციიდან ან საწყის მდგომარეობაში ნელა ბრუნდება.	<ul style="list-style-type: none"> სადგომი მუხრუჭის პედლის სამოდრო გზა გადაკეტილია ნარჩენებით. 	<ul style="list-style-type: none"> დაათვალიერეთ და მოაშორეთ ნარჩენები.
ბალახის საკრეჭი მანქანა არ იტენება დატენვის პორტის საშუალებით და ბალახის საკრეჭი მანქანის სტატუსის ინდიკატორი წითლად ანათებს.	<ul style="list-style-type: none"> დამტენის შტექერი სწორად არ არის შეერთებული ბალახის საკრეჭი მანქანის დატენვის პორტში. 	<ul style="list-style-type: none"> ხელახლა შეაერთეთ დამტენი და შემოწმეთ, თუ ნორმალურად იტენება ბალახის საკრეჭი მანქანა.
	<ul style="list-style-type: none"> კედლის როზეტებში არ გადის დენი. 	<ul style="list-style-type: none"> არანაირი ჩარევა არ არის საჭირო. დაელოდეთ ენერჯის რეკუპერაციას.
	<ul style="list-style-type: none"> დამტენის გაუმართაობა. 	<ul style="list-style-type: none"> მიმართეთ EGO-ს კლიენტთა მომსახურების ცენტრს და სთხოვეთ კვალიფიციური სერვის ცენტრის ტექნიკოსს, შეამოწმოს და/ან შეაკეთოს დამტენი საჭიროების შემთხვევაში.
	<ul style="list-style-type: none"> ბალახის საკრეჭი მანქანაზე დატენვის პორტი დეფექტურია. 	<ul style="list-style-type: none"> შესაკეთებლად მიმართეთ EGO-ს კლიენტთა მომსახურების ცენტრს.
დატენვის პორტის საშუალებით დატენვას ძალიან დიდი დრო სჭირდება.	<ul style="list-style-type: none"> EGO ACA 1000 ადაპტერის გამოყენებით დატენვას დიდი დრო სჭირდება. 	<ul style="list-style-type: none"> ბალახის საკრეჭი ელექტრო მანქანის პირდაპირ დასატენად გამოიყენეთ EGO-ს დამტენი CHV1600E.
აკუმულატორი სრულად არ იტენება ბალახის საკრეჭი მანქანის დატენვის პორტის საშუალებით.	<ul style="list-style-type: none"> ბალახის საკრეჭი მანქანის პროგრამული შეცდომა, აკუმულატორის ბლოკის ან დამტენის გაუმართაობა. 	<ul style="list-style-type: none"> დამტენის გადასატვირთად გამოაძრეთ დამტენი და დაელოდეთ რამდენიმე წუთი. გამოაერთეთ დამტენი და შემდეგ ხელახლა მიუერთეთ დამტენი ქსელს. თუ ეს არ მოგვარებს პრობლემას, მიმართეთ EGO-ს კლიენტთა მომსახურების ცენტრს.
ბალახის საკრეჭი მანქანა არ ამუშავდა გაწმენდის შემდეგ.	<ul style="list-style-type: none"> არასათანადო გაწმენდა, მაგ. წყლის მოხვედრა ელექტრო კომპონენტებზე, LCD ეკრანზე და ა.შ. 	<ol style="list-style-type: none"> ბალახის საკრეჭი მანქანის სწორად გაწმენდის მიზნით, იხელმძღვანელეთ მითითებებით პუნქტში „ზოგადი ტექნიკური მომსახურება“. ბალახის საკრეჭის მანქანის წვიმაში შემთხვევით მოხვედრის შემთხვევაში, გაშრობის მიზნით გააჩერეთ ჰაერზე ან გასაშრობად გამოიყენეთ შეკუმშული ჰაერი.
ბალახის საკრეჭი მანქანის ქვედა ნაწილი არ იყო სათანადოდ გაწმენდილი წინა გამოყენების შემდეგ.	<ul style="list-style-type: none"> ბალახის საკრეჭი მანქანის ქვედა ნაწილი არ იყო სათანადოდ გაწმენდილი წინა გამოყენების შემდეგ. 	<ul style="list-style-type: none"> ყოველი გამოყენების შემდეგ გაწმინდეთ ბალახის საკრეჭი მანქანის ქვედა ნაწილი, იხელმძღვანელეთ მითითებებით პუნქტში „ბალახის საკრეჭი მანქანის ქვედა ნაწილის გაწმენდა რეცხვის პორტის გამოყენებით“.
ბალახის საკრეჭი მანქანა ფერდობზე ასვლისას ადვილად კარგავს წევას.	<ul style="list-style-type: none"> უკანა ბორბლების საბურავები გაცვეთილია. 	<ul style="list-style-type: none"> საბურავების შესაცვლელად დაუკავშირდით ადგილობრივ სამსახურს.
	<ul style="list-style-type: none"> ბალახის კრეჭვა ციცაბო ფერდობზე. 	<ul style="list-style-type: none"> ბალახის საკრეჭი მანქანა არ გამოიყენოთ ფერდობის გასაკრეჭად, თუ მისი დახრა მითითებულზე მეტია.

KA

პრობლემა	გამომწვევი მიზეზი	გადაჭრის გზა
როცა ბალახის საკრეჭი ტრაქტორი გაჩერებულია ფერდობზე სადგომი მუხრუჭის პედლის დახმარებით და ბალახის საკრეჭ მანქანას შეუძლია დაგორდეს ფერდობზე.	<ul style="list-style-type: none"> სამუხრუჭე ელემენტები მეტისმეტად გაცვეთილია ბალახის საკრეჭი მანქანის არასწორი ექსპლუატაციის გამო. 	<ul style="list-style-type: none"> რემონტისთვის მიმართეთ EGO-ს კლიენტთა მომსახურების ცენტრს.
ბაქანის გარეცხვისას რეცხვის პორტიდან წყალი არ მოდის.	<ul style="list-style-type: none"> რეცხვის პორტის სწრაფი კონექტორი არ არის მართებულად დამონტაჟებული რეცხვის პორტზე. 	<ul style="list-style-type: none"> ხელახლა მიამაგრეთ რეცხვის პორტის სწრაფი კონექტორი, მყარად დაჭერის შემდეგ გაიგონებთ დაწკაპუნების ხმას. თუ ის არ მუშაობს, დაუკავშირდით EGO-ს კლიენტთა მომსახურების ცენტრს.
დაქოქვის გარეშე, ბალახის საკრეჭ მანქანაზე ხელით მიწოლის დროს უცნაური ხმა ისმის.	<ul style="list-style-type: none"> ხმას გამოსცემს ელექტროძრავის მაგნიტები. 	<ul style="list-style-type: none"> ეს ნორმალურია და არანაირი ჩარევა არ არის საჭირო.
საჭე არ ტრიალდება.	<ul style="list-style-type: none"> საჭის გარნიტურა ნარჩენებით არის სავსე. 	<ul style="list-style-type: none"> დაათვალიერეთ და მოაშორეთ ნარჩენები.
ბალახის საკრეჭი მანქანა არ ბრუნდება მარჯვნივ/ მარცხნივ, როდესაც საჭეს ვატრიალებ.	<ul style="list-style-type: none"> ელექტრო ან მექანიკური კომპონენტების ხარვეზი. 	<ul style="list-style-type: none"> შესაკვებლად მიმართეთ EGO-ს კლიენტთა მომსახურების ცენტრს.
ბალახის საკრეჭი მანქანა ვერ ჩერდება, როდესაც აჩქარების პედალიდან ვიღებ ფეხს.	<ul style="list-style-type: none"> აჩქარების პედალის სამოზღაო გზა ნარჩენებით არის სავსე. 	<ul style="list-style-type: none"> დაათვალიერეთ და მოაშორეთ ნარჩენები.
	<ul style="list-style-type: none"> CCS ღილაკზე უნებლიედ მოხდა დაჭერა მართვის დროს. ბალახის საკრეჭი მანქანა არის კრუიზ კონტროლის რეჟიმში 	<ul style="list-style-type: none"> შეამოწმეთ, CCS ხატულა თუ ანთია LCD ეკრანზე და საჭიროების შემთხვევაში გამოდით CCS-დან. იხილეთ პუნქტი „კრუიზ კონტროლის გამოყენება (CCS)“
CCS ფუნქციის გააქტიურება ან გამორთვა შეუძლებელია.	<ul style="list-style-type: none"> CCS ღილაკზე არ არის სწორად დაჭერილი. 	<ul style="list-style-type: none"> დააჭირეთ CCS ღილაკს, სანამ CCS ხატულა არ აინთება LCD ეკრანზე, ან გაქრება LCD ეკრანიდან.
ბალახის საკრეჭი მანქანის წინა ბორბლები ბრუნავს უსიამოვნო ხმაურით	<ul style="list-style-type: none"> წინა ბორბლების ლილვის ჰილზები შეხეთვა მოითხოვს. 	<ul style="list-style-type: none"> მოხსენით აკუმულატორის ბლოკები და შემდეგ შეავსეთ ინექციის პორტები საპოხი მასალით, სანამ პოხი არ გადაედინება წინა ბორბლების ლილვის ჰილზის ზედა ან ქვედა კიდეზე.

ბალახის საკრეჭი მანქანის სტატუსის დაზიანების კოდი

LCD ეკრანი	აღწერა	გაზონის საკრეჭი მანქანის სტატუსის ინდიკატორი	აუდიო ინდიკატორი	გამომწვევი მიზეზი	პრობლემის გადაჭრის გზა
	საწვავის დონის მაჩვენებელი ხატულა	გათიშულია	არა	აღნიშნული მიუთითებს ჩამონტაჟებული აკუმულატორების საშუალო დონის დამუხტულობაზე.	ეს ჩვეულებრივი ოპერაციაა. არანაირი ჩარევა არ არის საჭირო.
	ამპერსაათის მრიცხველის ხატულა	გათიშულია	არა	აღნიშნული მიუთითებს ბალახის საკრეჭი მანქანის მთლიანი მუშაობის ხანგრძლივობაზე, საათებში და მისი გადატვირთვა შეუძლებელია.	ეს ჩვეულებრივი ოპერაციაა. არანაირი ჩარევა არ არის საჭირო.
	დატვირთვის მაჩვენებლის ხატულა	გათიშულია	არა	აღნიშნული მიუთითებს ბალახის საკრეჭი მანქანის მიმდინარე დატვირთვაზე.	ეს ჩვეულებრივი ოპერაციაა. არანაირი ჩარევა არ არის საჭირო.
	LED განათების ხატულა ანთია LCD ეკრანზე.	გათიშულია	არა	ფარები ჩართულია LED განათების ჩამრთველით.	ეს ჩვეულებრივი ოპერაციაა. არანაირი ჩარევა არ არის საჭირო.
	Bluetooth ხატულა ანათებს LCD ეკრანზე	გათიშულია	არა	ბალახის საკრეჭი მანქანა უკავშირდება მობილურ მოწყობილობას Bluetooth-ის საშუალებით.	ეს ჩვეულებრივი ოპერაციაა. არანაირი ჩარევა არ არის საჭირო.
	„თიბვა უკუსვლით გამორთულია“ ხატულა ანათებს LCD ეკრანზე.	გათიშულია	არა	ეს მიუთითებს, რომ საჭრელი პირები არ შეიძლება იყოს ჩართული, როდესაც ბალახის საკრეჭი მანქანა უკუსვლით მოძრაობს.	ეს ჩვეულებრივი ოპერაციაა. საჭიროების შემთხვევაში, ჩართეთ საჭრელი პირები უკუსვლით მოძრაობის დროს, ამისთვის იხელმძღვანელოთ მითითებებით პუნქტში „მჭრელი პირის ჩართვა უკუსვლით მართვის დროს“.

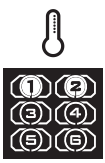

KA

LCD ეკრანი	აღწერა	გაზონის საკრეჭი მანქანის სტატუსის ინდიკატორი	აუდიო ინდიკატორი	გამომწვევი მიზეზი	პრობლემის გადაჭრის გზა
	მართვის ხატულა ანთია LCD ეკრანზე.	გათიშულია	არა	ეს მიუთითებს, რომ ბალახის საკრეჭი მანქანის მართვა შესაძლებელია ან მას წინ მართავენ.	ეს ჩვეულებრივი ოპერაციაა. გადაიყვანეთ მიმართულების საკონტროლოს ბერკეტი „D“, ნეიტრალური ან „R“ პოზიციაზე საჭიროების შესაბამისად.
	უკუსვლის ხატულა ანთია LCD ეკრანზე.	გათიშულია	არა	ეს მიუთითებს, რომ ბალახის საკრეჭი მანქანის მართვა შესაძლებელია ან მას უკან მართავენ.	
	მართვის ხატულას და უკუსვლის ხატულას მონაცვლეობით ციმციმი	გათიშულია	არა	ეს მიუთითებს, რომ ბალახის საკრეჭი მანქანის მართვა არ შეიძლება.	
	უსაფრთხოების გასაღების ხატულა ანთია	გათიშულია	არა	უსაფრთხოების გასაღები არ არის სწორად მოთავსებული.	ეს ჩვეულებრივი ოპერაციაა. არანაირი ჩარევა არ არის საჭირო.
	უსაფრთხოების გასაღების ხატულა ციმციმებს, როდესაც LCD ეკრანი აჩვენებს „საწვავის დონეს“.	გათიშულია	არა	უსაფრთხოების გასაღები არ არის მოთავსებული. გასაღების მართვის დაფის ყუთის ნაკრები დაზიანებულია.	მოათავსეთ უსაფრთხოების გასაღები, შემდეგ საკრეჭი მანქანის ჩასართავად 3 წამის განმავლობაში ერთდოულად და ბოლომდე დააჭირეთ დაწყება/გაჩერების ღილაკს. რემონტისთვის მიმართეთ EGO-ს კლიენტთა მომსახურების ცენტრს.
	სადგომი მუხრუჭის ხატულა ციმციმებს, როდესაც LCD ეკრანი აჩვენებს „საწვავის დონის მაჩვენებელს“.	გათიშულია	არა	სადგომი მუხრუჭის პედალზე არ არის დაჭერილი.	უსაფრთხოების გასაღებით ბუდეში, ბალახის საკრეჭი მანქანის ჩასართავად დააჭირეთ სადგომი მუხრუჭის პედალს და 3 წამის განმავლობაში ერთდოულად დააჭირეთ დაწყება/გაჩერების ღილაკს.
	სადგომი მუხრუჭის ხატულა ციმციმებს, როდესაც LCD ეკრანი აჩვენებს ოპერატორის ინტერფეისს.	გათიშულია	არა	სადგომი მუხრუჭის პედალზე დაჭერამდე დააჭირეთ ამაჩქარებელ პედალს, რათა ბალახის საკრეჭი მანქანის მაჩვენებელზე მწვანე აინთოს.	დაქოქეთ ბალახის საკრეჭი მანქანა სწორად, იხელმძღვანელოთ მითითებებით სექციაში „ბალახის საკრეჭი მანქანის ჩართვა“.
	სადგომი მუხრუჭის ხატულა ანთია	გათიშულია	არა	სადგომი მუხრუჭის პედალი სადგომი მუხრუჭის პოზიციაშია.	ბალახის საკრეჭი მანქანის ამუშავებამდე გადართეთ სამუხრუჭე პოზიციიდან.

KA

LCD ეკრანი	აღწერა	გაზონის საკრეჭი მანქანის სტატუსის ინდიკატორი	აუდიო ინდიკატორი	გამომწვევი მიზეზი	პრობლემის გადაჭრის გზა
	სავარძლის სენსორის ხატულა ანთია	გათიშულია	არა	ოპერატორი ტოვებს ადგილს ან სავარძლის უსაფრთხოდ ჩაკეტვის სისტემა გამოერთებულია.	იმ შემთხვევაში, თუ ოპერატორი ზის სავარძელში და ხატულა ანთია, დაუყოვნებლივ შეწყვიტეთ ბალახის საკრეჭი მანქანის მუშაობა და შეამოწმეთ სავარძლის კავშირი. თუ სავარძლის კავშირი ბალახის საკრეჭ მანქანასთან გამართულია, შესაკეთებლად დაუკავშირდით კვალიფიციურ სპეციალისტს.
	PTO გადამრთველის პიქტოგრამა ციმციმებს.	გათიშულია	არა	მჭრელი პირების ძრავა გაჩერდა მუშაობისას და PTO გადამრთველი არ არის გამორთულ მდგომარეობაში.	ბალახის საკრეჭი მანქანის მუშაობის ხელახლა დაწყებამდე, მიაწექით PTO გადამრთველს ქვემოთ მჭრელი პირების ძრავის გასათიშად. საცონობაროდ იხილეთ პუნქტი „შეცდომებისა და დეფექტების აღმოჩენა და გამოსწორება“.
	აკუმულატორის კონკრეტული ნაკვეთურის ხატულა ციმციმებს.	გათიშულია	არა	განმუხტვის დროს კონკრეტული აკუმულატორი ზედმეტად დატეხილია.	არანაირი ჩარევა არ არის საჭირო. ბალახის საკრეჭი მანქანა იმუშავებს, თუ აკუმულატორის საერთო ა/სთ, ჭარბი დენის აკუმულატორის გარეშე, ტოლია ან აღემატება 15 ა/სთ-ს. როგორც კი გადახურებული აკუმულატორი დაუბრუნდება ნორმალურ ტემპერატურას, მაშინვე აღდგება ბალახის საკრეჭი მანქანის ელკვება და ხატულაც გაქრება.
	ცარიელი აკუმულატორის ნაკვეთურის ხატულა ციმციმებს.	გათიშულია	არა	აკუმულატორის სიმძლავრე არასაკმარისია ბალახის საკრეჭი მანქანის მუშაობისთვის.	ამ ბალახის საკრეჭი მანქანის ასამუშავებლად გამოიყენეთ საკმარისი EGO აკუმულატორები ამ სახელმძღვანელოს განყოფილებაში „აკუმულატორის ჩამაგრება/ მოხსნა“ მოცემული ინსტრუქციის შესაბამისად.

KA

LCD ეკრანი	აღწერა	გაზონის საკრეჭი მანქანის სტატუსის ინდიკატორი	აუდიო ინდიკატორი	გამომწვევი მიზეზი	პრობლემის გადაჭრის გზა
	ტემპერატურის ხატულა და შევსებული აკუმულატორის ნაკვეთური ერთდროულად ციმციმებს.	გათიშულია	არა	შესაბამის დანომრილ სააკუმულატორო ნაკვეთურში აკუმულატორი გადახურებულია.	<ol style="list-style-type: none"> ბალახის საკრეჭი მანქანა გააგრძელებს მუშაობას, თუ აკუმულატორის საერთო ა/სთ, გადახურებული აკუმულატორის გარეშე, აკმაყოფილებს მოთხოვნებს. როგორც კი გადახურებული აკუმულატორი დაუბრუნდება ნორმალურ ტემპერატურას, მაშინვე აღდგება ბალახის საკრეჭი მანქანის ელკვება. თუ აკუმულატორის საერთო ა/სთ სიმძლავრე არ აკმაყოფილებს მოთხოვნებს, ბალახის საკრეჭი მანქანა არ იმუშავებს მანამ, სანამ მეტი აკუმულატორების ბლოკი არ დაემატება აკუმულატორის ცარიელ ნაკვეთურში. მუშაობის განახლებისას, შეამცირეთ გაზონის საკრეჭი მანქანის დატვირთვა ჭრის სიმაღლის გაზრდით ან მართვის სიჩქარის შენელებით.
	ტემპერატურის ხატულა ციმციმებს.	გათიშულია	ერთი ხმოვანი სიგნალი	<p>ბალახის საკრეჭი მანქანა გადახურებულია.</p> <p>ბალახის საკრეჭი მანქანა გადაციებულია.</p>	<p>შეამცირეთ ბალახის საკრეჭი მანქანის დატვირთვა ჭრის სიმაღლის გაზრდით ან მჭრელი პირების მოძრაობის/ მართვის სიჩქარის შემცირებით. შეისვენეთ და აცალეთ ბალახის საკრეჭი მანქანას გაგრილება.</p> <p>ნუ გააკეთებთ რამდენიმე მცდელობას, რამაც შეიძლება მანქანა დააზიანოს. ბალახის საკრეჭი მანქანა და აკუმულატორი ყოველთვის შეინახეთ თბილ გარემოში. გახურების შემთხვევაში, გადატვირთეთ ბალახის საკრეჭი მანქანა.</p>

KA

LCD ეკრანი	აღწერა	გაზონის საკრეჭი მანქანის სტატუსის ინდიკატორი	აუდიო ინდიკატორი	გამომწვევი მიზეზი	პრობლემის გადაჭრის გზა
	<p>განგაშის ხატულა ციმციმებს</p>	<p>ციმციმებს წითლად</p>	<p>ერთი ხმოვანი სიგნალი</p>	<p>მჭრელი პირების ძრავა გადატვირთულია.</p>	<p>ბალახის საკრეჭი მანქანის დატვირთვის შესამცირებლად, გაზარდეთ ჭრის სიმაღლე ან შეამცირეთ მოძრაობის სიჩქარე.</p>
				<p>ბალახის საკრეჭი მანქანის სადინარი გაჭედებულია ბალახითა და ნარჩენებით.</p>	<p>გაასუფთავეთ გვერდითი დასაცლელი ჩანთა ყოველი გამოყენების შემდეგ.</p>
				<p>გარკვეულ გადაკვეთას აქვს ადგილი მჭრელ პირსა და ბალახის საკრეჭ მანქანის ქვედა ნაწილს შორის.</p>	<p>მიმართეთ EGO-ს კლიენტთა მომსახურების ცენტრს.</p>
 	<p>შევსებული აკუმულატორის თითოეული ნაკვეთურის ხატულები და განგაშის ხატულა ყოველ 1 წამში ერთდროულად ანათებს LCD ეკრანზე.</p>	<p>ციმციმებს წითლად</p>	<p>გამოსცემს ხმოვან სიგნალს, PTO გადამრთველის ქვევით გადაწევამდე.</p>	<p>აკუმულატორის ბლოკი დაცლილია და ბალახის საკრეჭი მანქანა ავარიულ რეჟიმშია.</p>	<p>შეწყვიტეთ მუშაობა და დაბრუნდით აკუმულატორის დატენვის ზონაში.</p> <p>შენიშვნა: ბალახის საკრეჭი მანქანის ავარიულ რეჟიმში ყოფნის დროს, მჭრელი პირები ავტომატურად გადადის ბრუნვის დაბალ სიჩქარეზე და ამავდროულად იწყებს ხმოვანი სიგნალის გამოსცემას. ოპერატორი PTO გადამრთველს უნდა მიაწვეს ქვემოთ მჭრელი პირების ძრავის გასათიშად. ხმოვანი სიგნალი გამოირთვება, როცა მჭრელი პირები გაჩერდება.</p>
 	<p>თითოეული შევსებული აკუმულატორის ნაკვეთურისა და განგაშის ხატულები ანათებს ყოველ ნახევარ წამში.</p>	<p>ციმციმებს წითლად</p>	<p>გამოსცემს ხმოვან სიგნალს.</p>	<p>მჭრელი პირების ძრავა გაჩერდა მუშაობისას და PTO გადამრთველი არ არის გამორთულ მდგომარეობაში.</p>	<p>ბალახის საკრეჭი მანქანა მყისიერად გაჩერდება. ოპერატორმა ბალახის საკრეჭი მანქანა დასატენად უნდა გადაიყვანოს აკუმულატორის დატენვის ზონაში.</p>

KA

LCD ეკრანი	აღწერა	გაზონის საკრეჭი მანქანის სტატუსის ინდიკატორი	აუდიო ინდიკატორი	გამომწვევი მიზეზი	პრობლემის გადაჭრის გზა
	CCS ხატულა ანთია LCD ეკრანზე.	მუქი მწვანე	არა	ბალახის საკრეჭი მანქანა აგრძელებს მოძრაობას მითითებული სიჩქარით, ამაჩქარებლის პედალზე დაჭერის გარეშე.	ეს ჩვეულებრივი ოპერაციაა. საჭიროების შემთხვევაში, გამორთეთ CCS ფუნქცია, ამისთვის მიჰყავით სახელმძღვანელო მითითებებს სექციაში „ შეჩერება (გასვლა) საკრეჭო კონტროლი (CCS) “.
	CCS ხატულა ანთია LCD ეკრანზე.	გათიშულია	არა	CCS (კრეჭის კონტროლის სისტემა) ფუნქცია არ მუშაობს.	CCS ფუნქციის დაყენება შეუძლებელია, როდესაც ბალახის საკრეჭი მანქანის მართვა ხდება ძალიან დაბალი სიჩქარით ან მოძრაობს უკუსვლით.
	CCS ხატულა ანთია LCD ეკრანზე.	გათიშულია	არა	სადგომი მუხრუჭის პედლები დაჭერილ მდომარეობაშია ბალახის საკრეჭი მანქანის გასაჩერებლად.	სადგომი მუხრუჭის პედლის აშვების შემდეგ, დააჭირეთ CCS ღილაკს და CCS ხატულა ანთდება LCD-ზე, ან გამოდით CCS ფუნქციიდან სახელმძღვანელო მითითებების შესაბამისად სექციაში „ კრეჭი კონტროლის (CCS) შეჩერება (გასვლა) “.
	LCD ეკრანზე არ არის განათებული ტომრების ხატულა	არ შეესაბამება	არა	ეს მიუთითებს, რომ ბალახის ტომარა არ არის მიმაგრებული ბალახის საკრეჭ მანქანაზე ან არ არის დაყენებული სწორად.	ბალახის ტომარა სწორად მიამაგრეთ ბალახის საკრეჭ მანქანაზე.
	სავრე ტომრის ხატულა ციმციმებს LCD ეკრანზე	არ შეესაბამება	არა	ეს მიუთითებს, რომ ბალახის ტომარა სავსეა.	დაცალეთ ბალახის ტომარა და გამოცვალეთ ის სწორად.
KA არ შეესაბამება	არ შეესაბამება	გათიშულია	გამოსცემს ხმოვან სიგნალს.	ბალახის საკრეჭი მანქანა გაჩერებულია ფერდობზე და ოპერატორმა მიატოვა ბალახის საკრეჭი მანქანა ისე, რომ მუხრუჭის პედალი არ გადართო სამუხრუჭე პოზიციაში.	გადაიყვანეთ სადგომი მუხრუჭის პედალი სადგომი მუხრუჭის პოზიციაში. სადგომი მუხრუჭის ხატულა გაანათებს და ხმოვანი სიგნალი შეწყდება.

LCD ეკრანი	აღწერა	გაზონის საკრეჭი მანქანის სტატუსის ინდიკატორი	აუდიო ინდიკატორი	გამომწვევი მიზეზი	პრობლემის გადაჭრის გზა
გათიშულია	დატენვის პორტი არ მუშაობს	მუქი წითელი	არ შეესაბამება	ელექტროენერჯის მიწოდება არ ხდება.	შეამოწმეთ შტეფსელის როზეტი, რამდენად მიეწოდება 220V-240V და რამდენად მუშაობს.
		მუქი წითელი	არ შეესაბამება	ელექტრონული ხარვეზები, როგორცაა დამუხტვის პორტის ღია წრედი, გადამწვარი დამცველი და ა.შ.	რემონტისთვის მიმართეთ EGO-ს კლიენტთა მომსახურების ცენტრს.

შეცდომის კოდის აღმნიშვნელი

აღწერა	დაზიანების კოდი LCD-ზე	აუდიო ინდიკატორი	პრობლემის გადაჭრის გზა
მარცხენა მჭრელი პირის ძრავა არ ბრუნავს.	509	ერთი ხმოვანი სიგნალი	პირველ რიგში, შეამოწმეთ მჭრელი პირები. თუ იგი მოშვებულია, მოუჭირეთ ჭანჭიკს რეკომენდებული მარბრუნის მომენტით.
მარჯვენა მჭრელი პირის ძრავა არ ბრუნავს.	609	ერთი ხმოვანი სიგნალი	წინააღმდეგ შემთხვევაში, რემონტისთვის მიმართეთ EGO-ს კლიენტთა მომსახურების ცენტრს.

შენიშვნა: თუ LCD ეკრანზე გამოჩნდება რაიმე სხვა პრობლემის კოდი, რომელიც შეიძლება მიუთითებდეს PCBA-ის გაუმართაობაზე, თავისუფალ შეერთებაზე, წამყვანი ძრავის, საჭრელი პირების ძრავის და ა.შ. გაუმართაობაზე, ამოიღეთ აკუმულატორის ყველა ბლოკი და ხელახლა ჩადეთ ისინი რამდენიმე წუთის შემდეგ, რომ გადაიტვირთოს ბალახის საკრეჭი მანქანა. თუ ეს არ მოაგვარებს პრობლემას, ჩაიწერეთ გაუმართაობის კოდი და რემონტისთვის დაუკავშირდით EGO-ს მომხმარებელთა სერვისის ცენტრს.

გარანტია

EGO-ს საგარანტიო პოლიტიკა

გთხოვთ, ეწვიოთ ვებ-გვერდს egopowerplus.eu, და გაეცნოთ EGO-ს საგარანტიო მომსახურების წესებს და პირობებს სრულად.

PROČITAJTE SVA UPUTSTVA!



PROČITAJTE PRIRUČNIK ZA RUKOVAOCA

SIGURNOSNI SIMBOL

Svrha sigurnosnih simbola je da vam skrenu pažnju na moguće opasnosti. Sigurnosni simboli i objašnjenja uz njih zaslužuju vašu pomnu pažnju i shvatanje. Simboli upozorenja, sami po sebi, ne eliminišu nikakve opasnosti. Uputstva i upozorenja koja oni daju nisu zamena za odgovarajuće mere sprečavanja nezgoda.

▲ UPOZORENJE: Obavezno pročitajte i shvatite sva sigurnosna uputstva u ovom Priručniku za rukovaoca, obuhvatajući i sve simbole sigurnosnih upozorenja poput „OPASNOST“, „UPOZORENJE“ i „OPREZ“ pre korišćenja ovog alata. Nepridržavanje svih dolenađenih uputstava može da dovede do strujnog udara, požara i/ili ozbiljne telesne povrede.

ZNAČENJE SIMBOLA

Ova stranica prikazuje i opisuje sigurnosne simbole koji mogu da se pojave na ovom proizvodu. Pročitajte, shvatite i sledite sva uputstva na mašini pre no što pokušate da je sklopite i da rukujete njom.

SIGURNOSNI SIMBOLI



Sigurnosno upozorenje



Zaštita za oči



OPASNOST – Opasnost na oštrom nagibu



Nikada nemojte voziti decu



UPOZORENJE – Ne koristite ovu mašinu na nagibima većim od 12°



UPOZORENJE – DRŽITE ŠAKE I STOPALA DALJE



Ne gaziti



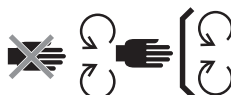
Ovaj proizvod je u skladu sa primenljivim direktivama EC



Jednosmerna struja



Pročitajte i shvatite priručnik za rukovaoca



Održavajte bezbednosne uređaje



OPASNOST – Držite prolaznike dalje od sečiva



Gledajte iza sebe dok idete unazad



OPASNOST – Izbačeni predmeti



Garantovani nivo zvučne snage. Prema Direktivi Evropske zajednice.



Otpadni električni proizvodi ne smeju da se odlažu sa otpadom iz domaćinstva. Odnosite ih u ovlašćeni centar za reciklažu.



OPREZ – Nemojte gledati u uključenu lampu.



Ovaj proizvod je u skladu sa primenljivim zakonima UK.

SR

kPa	Kilopaskal
V	Volt
in	Inč
Nm	Njtn metar
°C	Celzijus
km/h	Kilometara na sat

O/min	Obrtaji u minutu
m	Metri
cm	Centimetri
mm	Milimetri
kg	Kilogram
IPX4	Stepen zaštite od prodora

SIMBOLI U OVOM PRIRUČNIKU



Na informaciju treba obratiti pažnju



Navedena radnja se stopira

SPECIFIKACIJE

Napon	56 V	
Veličina platforme	98 cm	
Veličina točkova	Prednje	15 x 6 – 6 in
	Zadnje	18 x 7,5 – 8 in
Pritisak hladne gume	Prednje	96,5 kPa
	Zadnje	170 kPa
Brzina sečiva (o/min)	Do 3000	
Maksimalna brzina vožnje	Napred	Do 9,6 km/h
	Nazad	do 4,8 km/h
Podešavanje visine košenja (12 pozicija)	25 – 100 mm	
Opseg temperature punjenja	Od 5 do 40 °C	
Radna temperatura	Od 0 do 40 °C	
Temperatura skladištenja	Od -20 do +70 °C	
Težina (bez baterije)	220 kg	
Izmereni nivo zvučne snage L_{WA}	97,7 dB(A) K=1,75 dB(A)	
Nivo zvučnog pritiska na uhu rukovaoca L_{PA}	83,6 dB(A) K=3 dB(A)	
Garantovani nivo zvučne snage L_{WA} (izmereno u skladu sa Direktivom 2000/14/EC)	100 dB(A)	
Vibracije a_h	Šaka	0,24 m/s ² K=1,5 m/s ²
	Telo	0,18 m/s ² K=1,5 m/s ²

- Deklarisana ukupna vrednost vibracije je izmerena u skladu sa standardnim metodom testiranja i može se koristiti za upoređivanje jednog alata sa drugim;
- Deklarisana ukupna vrednost vibracije može se koristiti i u preliminarnoj proceni izlaganja.

OBAVEŠTENJE: Emisija vibracija tokom stvarne upotrebe električnog alata može da se razlikuje od deklarisanе vrednosti u kojoj se alat koristi. Da bi se rukovalac zaštitio, korisnik bi trebalo da nosi rukavice i štitnike za uši u stvarnim uslovima korišćenja.

PREPORUČENI DODACI

▲ UPOZORENJE: Koristite samo pribor naveden ispod. Upotreba pribora koji ne ispunjava specifikacije originalne opreme može da dovede do nepravilnog rada i kompromitovane bezbednosti.

NAZIV DELA	BROJ MODELA
Komplet kolekcija sečiva	AB3801TD
Umetak za malčiranje	AMP3800T

OPIS

UPOZNAJTE SVOJ TRAKTOR (Slika A1)

- Sedište
- Držači šolja
- Zadnji točak (pogonski točak) (x2)
- Port za pranje (x2)
- Platforma
- Točak protiv skalpiranja (x2)
- Prednji točak (x2)
- Prednji branik
- Pedala parkirne kočnice
- LED prednje svetlo (x2)
- Pogonska jedinica
- Odeljak za skladištenje
- Poluga za zaključavanje parkirne kočnice
- Volan
- Poluga za podešavanje položaja sedišta
- Vreća za travu

SR

17. Port za punjenje
18. USB port
19. Korpa za skladištenje
20. Pedala gasa
21. Poluga za podešavanje visine platforme
22. Poluga za naginjanje
23. Ručka
24. Indikator statusa traktora
25. Dugme za podešavanje brzine sečiva
26. Dugme za KOŠENJE U RIKVERC
27. Start/stop dugme
28. Poluga za kontrolu smeru
29. Sigurnosni ključ
30. PTO prekidač
31. CCS dugme
32. Dugme za LED svetla / Bluetooth dugme
33. Dugme za podešavanja brzine vožnje
34. Dugme za oslobađanje poklopca pogonske jedinice
35. Poklopac pogonske jedinice
36. Pogonska jedinica sa šest odeljaka za baterije
37. Dugme za otpuštanje baterije

UPOZNAJTE LCD EKRAN (Slika A2)

Pogledajte odeljak „REFERENCA STATUSA TRAKTORA“ i „REFERENCA KODOVA GREŠKE“ za više informacija o ikonici i indikatorima na LCD ekranu.

1. Ikonica za CCS
2. Indikator statusa bezbednosnog uređaja
3. Ikonica za ISKLJUČENO KOŠENJE U RIKVERC
4. Ikonica za pogon
5. Ikonica za rikverc
6. Ikonica za sigurnosni ključ
7. Ikonica za LED svetla
8. Bluetooth ikonica
9. Indikator brzine sečiva
10. Brojač sati
11. Pokazivač goriva
12. Ikonica temperature
13. Ikonica upozorenja (preopterećenje/slabo napajanje)
14. Ikonica praznog odeljka za bateriju
15. Ikonica zauzetog odeljka za bateriju
16. Indikator za kodove kvarova
17. Indikator za opterećenje
18. Indikator za brzinu vožnje
19. Ikonica pune vreće
20. Ikonica nedostatka vreće

SR

RASPAKIVANJE

OBAVEŠTENJE: Sačuvajte ambalažu dok ne budete pažljivo pregledali proizvod i rukovali njime na zadovoljavajući način. Ako su bilo koji delovi sa popisa pakovanja sklopljeni na mašini, odmah se obratite EGO servisu.

OBAVEŠTENJE: Osim alata na donjem popisu pakovanja, svi drugi alati pomenuti u priručnicima su samo preporučeni ali nisu priloženi.

POPIS PAKOVANJA (Slika B)

B-1	Električni traktor za travnjak	B-2	Sedište
B-3	Volan	B-4	Kapica protiv prašine
B-5	Kombinovani ključevi	B-6	Nasadni ključ 18 mm
B-7	Stepenasti vijci (1 za rezervu)	B-8	M8 matice (1 za rezervu)
B-9	M12 matice (1 za rezervu)	B-10	Podloške (1 za rezervu)
B-11	Sigurnosni ključ	B-12	Brza spojnica za port za pranje
B-13	Priručnik za rukovaoca	B-14	Vreća za travu (sa dva kompleta vijaka i matica za bočne nosače)
B-15	Nosač u obliku slova U	B-16	Bočni nosač
B-17	Poluga za naginjanje	B-18	Levi i desni potporni nosač za vreću
B-19	Prečka	B-20	M8X40 zavrtnj
B-21	M8X25 zavrtnj	B-22	M8 matica

SKLAPANJE

INSTALIRANJE VOLANA (Slika C1)

C1-1	Stub volana	C1-2	Volan
C1-3	Centralna linija	C1-4	Podloška
C1-5	Matica	C1-6	Nasadni ključ 18 mm
C1-7	Poklopac protiv prašine		

INSTALIRANJE SEDIŠTA (Slika C2)

⚠ UPOZORENJE: Sigurnosni sistem međusobnog zaključavanja se ne sme odvajati niti zaobilaziti. To može uzrokovati da traktor funkcioniše nepredvidivo, rezultujući telesnim povredama.

C2-1	Sedište	C2-2	Matica (M8)
C2-3	Stepenasti vijak	C2-4	Utičnica
C2-5	Utikač		

INSTALIRANJE VREĆE ZA TRAVU (Slika C3 - C8)

C3-1	Nosač u obliku slova U	C3-2	Vreća
C3-2	4 kompleta vijaka i matica (M8 X 40)	C3-4	Kombinovani ključ
C4-1	Bočni nosači	C4-2	4 kompleta vijaka i matica (M8 X 40)
C4-3	Kombinovani ključ	C5-1	Poluga za naginjanje
C5-2	1 komplet vijaka i matica (M8 X 40)	C5-3	Kombinovani ključ
C6-1	Potporni nosači za vreću za travu	C6-2	4 kompleta vijaka i matica (M8 X 25)
C6-3	Kombinovani ključevi	C7-1	Prečka
C7-2	2 matice (M8)	C7-3	Kombinovani ključ

PODEŠAVANJE

PRE PODEŠAVANJA (Slika D1)

PODEŠAVANJE VISINE PLATFORME (Slika D2)

PODEŠAVANJE TOČKOVA PROTIV SKALPIRANJA (Slika D3 - D6)

D3-1	Točkovi protiv skalpiranja	D5-1	Matica
D5-2	Zavrtanj	D6-1	Oznaka visine platforme

PODEŠAVANJE SEDIŠTA (Slika D7)

D7-1	Poluga za podešavanje položaja sedišta
------	--

RUKOVANJE

PRE RUKOVANJA (Slika E1)

POSTAVLJANJE PARKIRNE KOČNICE (Slika E2)

E2-1	Položaj kočenja	E2-2	Otpušteni položaj
------	-----------------	------	-------------------

⚠ UPOZORENJE: PEDALA PARKIRNE KOČNICE NE MOŽE DA SMANJI BRZINU VOŽNJE. NIKAD NE POKUŠAVAJTE DA PRITISNETE PEDALU PARKIRNE KOČNICE DA BISTE SMANJILI BRZINU VOŽNJE DOK VOZITE. KAD JE PEDALA PARKIRNE KOČNICE PRITISNUTA ALI NIJE ANGAŽOVANA U POLOŽAJU KOČENJA, ELEKTRIČNA KOČNICA VIŠE NIJE EFIKASNA I TRAKTOR ĆE PRESTATI DA SE KREĆE NA RAVNOJ POVRŠINI. ALI AKO SE TO DESI NA NAGIBU, TRAKTOR MOŽE SKLIZNUTI NIZ NAGIB KAD PEDALA PARKIRNE KOČNICE BUDE PUŠTENA.

⚠ UPOZORENJE: POVUCITE POLUGU ZA ZAKLJUČAVANJE PARKIRNE KOČNICE I ODMAH PRITISNITE PEDALU PARKIRNE KOČNICE DA BISTE JE ANGAŽOVALI U POLOŽAJU KOČENJA U HITNOM SLUČAJU, TRAKTOR ĆE SE ODMAH ZAUSTAVITI I NEĆE SKLIZNUTI NIZ NAGIB.

SPAJANJE/ODVAJANJE BATERIJE (Slika E3 - E6)

Da biste startovali ovaj traktor, neophodne su EGO baterije sa ukupno 15 Ah (2 X BA4200/BA4200T) ili više. Za najbolje performanse preporučujemo upotrebu EGO baterija sa ukupno 30 Ah ili više.

E3-1	Dugme za otpuštanje poklopca	E5-1	Dugme za oslobađanje baterije
------	------------------------------	------	-------------------------------

PUNJENJE TRAKTORA

Koristite samo sa preporučenim baterijama i punjačima.

- Baterije punite zasebno (slika E7)

OBAVEŠTENJE: Pogledajte odgovarajuće priručnike za bateriju i punjač radi detaljnog uputstva.

- Baterije punite kroz port za punjenje (slika E8 - E10)

E10-1	Kapica protiv prašine	E10-2	Port za punjenje
-------	-----------------------	-------	------------------

TESTIRANJE SIGURNOSNOG SISTEMA MEĐUSOBNOG ZAKLJUČAVANJA

- Da biste testirali sistem platforme i sečiva (slika E11 - E12)
- Da biste testirali sistem vožnje (slika E13 - E14)

Ako sistem platforme i sečiva i/ili sistem vožnje neće da se stopira kad rukovalac ustane sa sedišta i ako se razlog ne može utvrditi nakon potvrđivanja da su utikač i utičnica sedišta dobro povezani, odmah se obratite centru EGO korisničke službe.

KOMUNIKACIONA TEHNOLOGIJA

Za informacije o celoj paleti naših povezanih uređaja i usluga, obuhvatajući i uputstva za povezivanje, skenirajte QR kod ispod ili posetite www.egopowerplus.eu/connect.



KONTROLNA LISTA PRE RUKOVANJA

- Osigurajte da na mestu rada nema dece, prolaznika i kućnih ljubimaca.
- Očistite mesto rada od predmeta koji mogu biti izbačeni sečivom traktora.
- Očistite prljavštinu sa traktora.
- Proverite da li ima labavih spojnica.
- Proverite da li su svi štitnici na svom mestu i da li pravilno rade.
- Vizuelno proverite da li su gume naduvane.
- Proverite funkcionisanje kočnice.
- Podesite visinu platforme u željeni položaj košenja koji najbolje odgovara travnjaku i podesite točkove protiv skalpiranja shodno tome.
- Podesite položaj sedišta i vodite računa da možete da dosegnete obe pedale.

- Proverite nivo napunjenosti baterije.
- Testirajte sigurnosni sistem međusobnog zaključavanja.
- Uverite se da je vreća za travu pravilno postavljena.

STARTOVANJE TRAKTORA (Slika E15 - E16)

⚠ UPOZORENJE: Izbegavajte naglo startovanje, stopiranje i skretanje, kao i prekomernu brzinu, naročito kad prvi put učite da rukujete traktorom. Traktor može da se brzo zavrti, što može izazvati da izgubite kontrolu i dovesti do ozbiljne povrede i/ili štete.

⚠ UPOZORENJE: Pre startovanja traktora, proverite i osigurajte da sečiva budu otpuštena u roku od 5 sekundi dok pritisnete PTO prekidač nadole. Ako se sečiva ne stopiraju, ne koristite traktor i odmah se obratite EGO korisničkoj službi.

NAPOMENA:

- Ako je pedala parkirne kočnice postavljena u položaj kočenja, potrebno je samo da pritisnete start/stop dugme tokom 3 sekunde da biste osvetlili LCD ekran a zatim da otpustite pedalu parkirne kočnice pre vožnje traktora.
- Sečiva se mogu startovati u bilo kom trenutku kad se LCD ekran potpuno osvetli i poluga za kontrolu smera nije povučena unazad u smer „R“. Da biste uključili sečiva tokom vožnje traktora u rikverc, pogledajte odeljak „UKLJUČIVANJE SEČIVA TOKOM VOŽNJE U RIKVERC“ u ovom priručniku.

OBAVEŠTENJE: Pratite sliku E17 da biste dobili najmanju brzinu vožnje dok ne budete bili potpuno sposobni za rukovanje traktorom u svim situacijama.

Električni traktor za travnjak ne pamti postavke brzine vožnje i brzine sečiva. Brzina vožnje i brzina sečiva vraćaju se na nivo 2 svaki put kad se traktor isključi.

Podešavanje brzine vožnje (slika E17)

Podešavanje brzine sečiva (slika E18)

NAPOMENA: Kad ste u „Nivou 3“, ponovo pritisnite dugme za podešavanje brzine sečiva i brzina sečiva će nastaviti u prethodnoj brzini.

LED svetla (slika E19)

- LED prednja svetla se mogu uključiti i isključiti pomoću prekidača za LED svetla.

USB port

OBAVEŠTENJE: USB port omogućava punjenje snage 5 volti jednosmerne struje pri ukupno 1,5 ampera i funkcioniše samo kad je traktor startovan.

STOPIRANJE TRAKTORA (Slika E20)

⚠ UPOZORENJE: Uvek postavite pedalu parkirne kočnice u položaj kočenja kad traktor prestane da vozi na nagibu, u suprotnom traktor može kliziti niz nagib, što može prouzrokovati ozbiljnu štetu na traktoru ili telesne povrede!

SR

NAPOMENA: U situaciji kad je pedala parkirne kočnice postavljena u položaj kočenja i rukovalac je van sedišta ali baterije nisu uklonjene:

- U slučaju da je LCD ekran isključen, indikatori baterije, start/stop dugme i dugme CCS ostaju osvetljeni 1 sat.
- U slučaju da LCD ekran prikazuje „pokazivač goriva“ ili interfejs rukovaoca, traktor će se automatski isključiti nakon 1 sata.

Režim odlaska kući

Kad napunjenost baterije postane kritično niska, traktor će ući u režim odlaska kući da bi sačuvao dovoljno snage za povratak u oblast za punjenje.

- Sečiva se prebacuju na malu brzinu rotacije, koja može da kosi samo veoma malu količinu trave. Kad naiđu na visoku i gustu travu, sečiva će prestati da se rotiraju. Zvučni indikator će se isprekidano oglašavati (pištati).
- Indikator statusa traktora će bljeskati crveno svake sekunde, ikonica upozorenja (slabog napajanja) i ikonica svakog zauzetog odeljka za bateriju će treperiti.

Rukovalac treba da:

- Pritisne PTO prekidač nadole da biste isključili motore sečiva. Zvučni indikator će prestati da se oglašava kad se motori sečiva stopiraju.
- Stopira rad i ode na mesto punjenja što pre. Maksimalna udaljenost koju traktor može da pređe je 1000 m.

Kad je baterija skoro ispražnjena, ikonica upozorenja (slabog napajanja) i ikonica svakog zauzetog odeljka za bateriju će treperiti svakih pola sekunde. Traktor će odmah stopirati rad. Rukovalac će morati da transportuje traktor do mesta za punjenje radi punjenja.

OBAVEŠTENJE: Ako je potrebno ručno guranje, osigurajte da baterije budu odvojene od traktora i da pedala parkirne kočnice bude oslobođena iz položaja kočenja.

VOŽNJA TRAKTORA (Slika E21)

⚠ OPASNOST: Budite udaljeni najmanje dve širine otkosa od bilo kakvih jaraka, litica ili vode. Prednji točkovi mogu da se okreću kad je traktor stopiran, čak i sa aktiviranom kočnicom, i da izazovu da traktor padne preko ivice ili u vodu te da rezultuju smrću ili ozbiljnom telesnom povredom.

⚠ UPOZORENJE: Ne rukujte traktorom na javnim putevima.

⚠ UPOZORENJE: Ako dođe do blokade ili udarite strani predmet, stopirajte motore i izvadite baterije. Uklonite pokošenu travu, lišće, zemlju i svu drugu nagomilanu prljavštinu; temeljno pregledajte da li na traktoru ima oštećenja i popravite ih pre restartovanja traktora i rukovanja istim.

NAPOMENA:

- Tokom vožnje, kad napustite sedišta, indikator statusa traktora će se isključiti. Kad ponovo pokrenete vožnju, sedite na sedišta i potpuno pritisnite pedalu parkirne kočnice da bi indikator statusa traktora svetleo zeleno.
- Kad prebacujete između unapred i rikverca tokom vožnje, pomerite polugu za kontrolu smera direktno sa jednog kraja na drugi bez zaustavljanja u neutralnom položaju, u suprotnom traktor može prestati da se kreće.

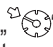
KORIŠĆENJE TEMPOMATA (CCS)



Za aktiviranje tempomata (CCS) (slika E22)

NAPOMENA: Nivo brzine vožnje prikazan na LCD ekranu možda neće precizno predstavljati stvarnu brzinu vožnje traktora u režimu tempomata. Pritisnite dugme za podešavanje brzine da biste „osvežili“ nivo brzine vožnje na LCD ekranu.

Za deaktiviranje tempomata (CCS), možete izabrati jedan od tri načina:

- Pritisnite pedalu gasa do kraja i nastavite da pritiskate. CCS funkcija će se stopirati a traktor će nastaviti da vozi.
- Blago pritisnite pedalu gasa a onda je pustite. Traktor i CCS funkcija će se stopirati.
- Pritisnite CCS dugme. Traktor i CCS funkcija će se stopirati.

NAPOMENA: Kad se CCS stopira, ikonica „“ će nestati sa LCD ekrana a zvučni signal će se oglasiti dva puta.

NAPOMENA: Ako je pedala parkirne kočnice pritisnuta, traktor će se stopirati ali će ikonica „“ treperiti na LCD ekranu da ukaže da je CCS u pripravnosti. U tom slučaju otpustite pedalu parkirne kočnice, pritisnite dugme CCS. Traktor će automatski nastaviti vožnju a ikonica „“ će prestati da treperi.

UKLJUČIVANJE SEČIVA TOKOM VOŽNJE U RIKVERC

OBAVEŠTENJE: Košenje u rikverc se ne preporučuje.


▲ UPOZORENJE: Budite krajnje oprezni tokom košenja u rikverc. Uvek osigurajte da niko, posebno mala deca, ne dođe u radno područje pre i tokom košenja u rikverc.

▲ UPOZORENJE: Vidokrug rukovaoca može biti smanjen prilikom upravljanja traktorom sa pričvršćenom vrećom za travu. Krajnji oprez i poznavanje okoline uvek treba uzeti u obzir pre i tokom košenja u rikverc.



Za aktiviranje KOŠENJA U RIKVERC (E23)

Za zaustavljanje KOŠENJA U RIKVERC, možete izabrati jedan od četiri načina:

- Pritisnite dugme za KOŠENJE U RIKVERC jednom.
- Ustanite sa sedišta traktora.
- Pritisnite dugme start/stop tokom 3 sekunde da biste isključili LCD ekran.
- Izvadite sigurnosni ključ ili izvadite bateriju da biste isključili traktor.

NAPOMENA: Kad se KOŠENJE U RIKVERC stopira, ikonica „“ će se osvetliti na LCD ekranu.

PRAŽNENJE VREĆE ZA TRAVU (Slika E24)

NAPOMENA: Kad ikonica „“ treperi na LCD ekranu, vreća za travu je puna. Nakon što ispraznite vreću, ikonica „“ će nestati sa LCD ekrana.

NAPOMENA: Vreću za travu treba pravilno vratiti na traktor, u suprotnom se traktor može voziti ali motori sečiva se ne mogu uključiti.

ODRŽAVANJE

▲ UPOZORENJE: Uvek nosite zaštitne naočare sa bočnim štitnicima. Nepostupanje u skladu sa tim može da rezultira odbacivanjem predmeta u oči koji rezultuju mogućim teškim povredama.

▲ UPOZORENJE: Uvek zaštitite ruke tako što ćete nositi debele rukavice ili umotati oštre ivice krpama ili drugim materijalom kad radite bilo kakvo održavanje na sečivu traktora. Uvek izvadite sigurnosni ključ i baterije kad servisirate ili transportujete traktor.

PREPRUČENI RASPORED(I) ODRŽAVANJA

Interval servisnog održavanja	Procedura održavanja
Pre svake upotrebe ili jednom na dan	<ul style="list-style-type: none"> ▪ Proverite sigurnosni sistem međusobnog zaključavanja. ▪ Vizuelno proverite da li su gume naduvane. ▪ Pregledajte sečiva. ▪ Pregledajte ceo proizvod da biste videli da li ima oštećenih, nedostajućih ili labavih delova poput bočnog izlaznog otvora, vijaka, navrtanja, zavrtnja, kapica itd., osiguravajući da svi štيتnici budu na svom mestu i da pravilno funkcionišu. ▪ Proverite da li se pedala gasa može pravilno pritisnuti i pustiti i osigurajte da može. ▪ Proverite prigušivač volana. Volan bi trebalo da se rotira uz određeni otpor.
Posle svake upotrebe	<ul style="list-style-type: none"> ▪ Očistite traktor i operite platformu.
Svaki 25 h	<ul style="list-style-type: none"> ▪ Proverite pritisak guma.
Svaki 100 h	<ul style="list-style-type: none"> ▪ Proverite zadnje točkove, osiguravajući da sve matice budu zategnute na preporučeni obrtni moment (101-103 Nm). ▪ Proverite prednje točkove, osiguravajući da matica bude zategnuta na preporučeni obrtni moment (90-92 Nm).
Svaki 200 h	<ul style="list-style-type: none"> ▪ Proverite prednje točkove, osiguravajući da se slobodno okreću.
Svaki pola godine	<ul style="list-style-type: none"> ▪ Proverite pedalu parkirne kočnice. Izvadite bateriju iz traktora a zatim povucite polugu za zaključavanje parkirne kočnice i pritisnite pedalu parkirne kočnice da biste postavili parkirnu kočnicu. Ručno gumite traktor unapred da biste videli da li se traktor može pomerati bez okretanja zadnjih točkova. Ako se traktor pomera i zadnji točkovi se okreću u isto vreme, obratite se EGO centru za korisničku službu radi popravke.

Pre skladištenja	<ul style="list-style-type: none"> Izvadite baterije iz traktora. Izvadite sigurnosni ključ iz traktora. Uradite sve procedure održavanja navedene iznad i temeljno očistite traktor. Pregledajte ceo proizvod da li ima oštećenih, nedostajućih ili labavih delova i zamenite odnosno zategnite ih po potrebi pre skladištenja.
Jednom godišnje	<ul style="list-style-type: none"> Podmažite naglavke vratila na prednjih točkovima.

OPŠTE ODRŽAVANJE

Pražnjenje trave (slika F1 - F3)

Čišćenje kućišta traktora (slika F4)

Korišćenje porta za pranje za čišćenje platforme traktora (slika F5 - F6)

F5-1	Port za pranje	F5-2	Brza spojnica za port za pranje
F5-3	Baštensko crevo		

OBAVEŠTENJE: Kad završite čišćenje, potpuno isključite traktor a zatim skinite baštensko crevo i brzu spojnicu.

ODRŽAVANJE PLATFORME I SEČIVA TRAKTORA

Priprema (slika G1)

Uklanjanje platforme (slika G2 - G3)

G2-1	Kabl motora	G2-2	Osigurač
G2-3	Spona vešanja		

Zamena sečiva (slika G4 - G6)

G4-1	Stabilizator	G5-1	Zavrtanj
G5-2	Podloška	G5-3	Sečivo
G5-4	Prirubnica	G5-5	Vratilo motora

Nivelisanje platforme

- Kada nivelisati (slika G7 / slika G8 / slika G9)**
- Pre nivelisanja**
 - Provera pritiska hladne gume (slika G10)
 - Provera sečiva. Uklonite i zamenite pohabana, napukla i/ili iskrivljena sečiva po potrebi.
- Priprema za nivelisanje (slika G11)**
- Kako nivelisati**
 - Za podešavanje levo-desno (slika G12)
 - Za podešavanje napred-nazad (slika G13)

SKLADIŠTENJE I TRANSPORT

TRANSPORTOVANJE TRAKTORA (Slika H1 - H5)

H2-1	Rampe	H2-2	Kaiši
------	-------	------	-------

OBAVEŠTENJE: Pričvrstite traktor prema potrebi, pomoću kaiša ili kablova, da biste sprečili pomeranje tokom transporta.

SKLADIŠTENJE (Slika I1 - I2)

OBAVEŠTENJE: Uklonite i čuvajte baterije odvojeno; pogledajte odgovarajuće priručnike.

Očistite i proverite traktor pre skladištenja; pogledajte odeljke „OPŠTE ODRŽAVANJE“ i „PREPORUČENI RASPORED(I) ODRŽAVANJA“.


Zaštita životne sredine





WEEE (otpadna električna i elektronska oprema): ne odlažite električnu opremu, potrošene baterije i punjače u kućni otpad! Odnosite ovaj proizvod u ovlašćeni pogon za reciklažu ili ga odvojite od ostalog smeća radi zasebnog prikupljanja. Električni alati moraju se odneti u ekološki prihvatljiv pogon za reciklažu.

REŠAVANJE PROBLEMA

PROBLEM	UZROK	REŠENJE
Električni traktor za travnjak neće da vozi kad se pritisne pedala gasa.	<ul style="list-style-type: none"> Ukupni Ah umetnutih baterija ne ispunjava zahtev. 	<ul style="list-style-type: none"> Da biste startovali ovaj traktor, koristite dovoljno EGO baterija prateći uputstva u odeljku „SPAJANJE/ODVAJANJE BATERIJE“ u ovom priručniku.
	<ul style="list-style-type: none"> Pedala parkirne kočnice je postavljena u položaj kočenja. 	<ul style="list-style-type: none"> Pritisnite pedalu parkirne kočnice do kraja da biste je otpustili iz položaja kočenja.
	<ul style="list-style-type: none"> Indikator statusa traktora ne svetli zeleno. 	<ul style="list-style-type: none"> Pritisnite pedalu parkirne kočnice a zatim je pustite. Indikator statusa traktora će svetleti zeleno, što znači da je traktor spreman za startovanje.
	<ul style="list-style-type: none"> Rukovalac ne sedi na sedištu. 	<ul style="list-style-type: none"> Traktorom se može upravljati samo kad rukovalac pravilno sedi na sedištu.
	<ul style="list-style-type: none"> Sigurnosni sistem međusobnog zaključavanja sedišta nije pravilno povezan. 	<ul style="list-style-type: none"> Izvadite baterije iz traktora i podignite zadnju stranu sedišta da biste osigurali da je utikač kabla pravilno povezan sa utičnicom na donjem delu sedišta (pogledajte poglavlje „INSTALIRANJE SEDIŠTA“). Pratite uputstva u „STARTOVANJE TRAKTORA“ da biste ponovo pokrenuli traktor i videli da li se može startovati. Ako ne, obratite se EGO centru za korisničku službu radi popravke.
	<ul style="list-style-type: none"> Po ekstremno hladnom vremenu, funkcija vožnje možda neće uspešno startovati zbog zaštite od niske temperature. 	<ul style="list-style-type: none"> Uvek držite traktor i baterije u toplom okruženju. Ponovo pokrenite traktor kad se zagreje. Nemojte pokušavati više puta u ekstremno hladnom vremenu jer to može oštetiti mašinu.
	<ul style="list-style-type: none"> Putanja kojom se kreće pedala gasa je blokirana prljavštinom. 	<ul style="list-style-type: none"> Proverite da li ima prljavštine i uklonite je
	<ul style="list-style-type: none"> Kvar mehaničkih ili elektronskih komponenti pedale gasa. 	<ul style="list-style-type: none"> Obratite se EGO centru za korisničku službu radi popravke.
<ul style="list-style-type: none"> Poluga za kontrolu smera je postavljena u neutralni položaj. 	<ul style="list-style-type: none"> Gurnite/povucite polugu za kontrolu smera u smer „D“ ili „R“. 	

PROBLEM	UZROK	REŠENJE
Električni traktor za travnjak stopira vožnju.	<ul style="list-style-type: none"> Prilikom prebacivanja između unapred i rikverca tokom vožnje, poluga za kontrolu smera dugo ostaje u neutralnom položaju. 	<ul style="list-style-type: none"> Otpustite pedalu gasa a zatim je ponovo pritisnite.
	<ul style="list-style-type: none"> Kvar elektronskih komponenti pedale gasa. 	<ul style="list-style-type: none"> Obratite se EGO centru za korisničku službu radi popravke.
	<ul style="list-style-type: none"> Sigurnosni sistem međusobnog zaključavanja sedišta se odvojio tokom vožnje na neravnom terenu. 	<ul style="list-style-type: none"> Izvadite baterije iz traktora i podignite zadnju stranu sedišta da biste osigurali da je utikač kablova pravilno povezan sa utičnicom na donjem delu sedišta (pogledajte poglavlje „INSTALIRANJE SEDIŠTA“). Pratite uputstva u „STARTOVANJE TRAKTORA“ da biste ponovo pokrenuli traktor i videli da li se može startovati. Ako ne, obratite se EGO centru za korisničku službu radi popravke.
	<ul style="list-style-type: none"> Težina rukovaoca nije ravnomerno raspoređena na sedištu. Težina rukovaoca na sedištu mora biti najmanje 20 kg da bi sigurnosni sistem međusobnog zaključavanja sedišta pravilno funkcionisao. 	<ol style="list-style-type: none"> Pravilno sedite na sedištu, potpuno pritisnite pedalu parkirne kočnice i otpustite je, traktor će potom biti spreman za vožnju. Odvojite i ponovo spojite baterije ako je neophodno.
	<ul style="list-style-type: none"> Pedala parkirne kočnice je pritisnuta dovoljno ali nije zaključana u parkirni položaj, traktor će se stopirati. 	<ul style="list-style-type: none"> Pratite uputstva u „STARTOVANJE TRAKTORA“ da biste ponovo pokrenuli traktor.
Električni traktor za travnjak neće da startuje sečiva kad se aktivira PTO prekidač.  Ikonica PTO prekidača treperi	<ul style="list-style-type: none"> Ukupni Ah umetnutih baterija ne ispunjava zahtev. 	<ul style="list-style-type: none"> Da biste startovali ovaj traktor, koristite dovoljno EGO baterija prateći uputstva u odeljku „SPAJANJE/ ODVAJANJE BATERIJE“ u ovom priručniku.
	<ul style="list-style-type: none"> PTO prekidač nije bio pritisnut nadole kad je traktor poslednji put isključen. 	<ul style="list-style-type: none"> Gurnite PTO prekidač nadole a zatim nagore da biste restartovali motore sečiva.
	<ul style="list-style-type: none"> Traktor je preopterećen u trenutku kad sečiva počinju da se rotiraju, pokrećući samozaštitu motora sečiva. 	<ul style="list-style-type: none"> Startujte košenje trave prvo na manjoj brzini sečiva i ne povećavajte brzinu sečiva dok se sečiva ne rotiraju uspešno.
	<ul style="list-style-type: none"> Po ekstremno hladnom vremenu, motor sečiva možda neće uspešno startovati zbog zaštite od niske temperature. 	<ul style="list-style-type: none"> Uvek držite traktor i baterije u toplom okruženju. Ponovo pokrenite traktor kad se zagreje. Nemojte pokušavati više puta u ekstremno hladnom vremenu jer to može oštetiti mašinu.
	<ul style="list-style-type: none"> Sečivo ometa deformisana platforma traktora 	<ul style="list-style-type: none"> Obratite se EGO centru za korisničku službu radi popravke.
	<ul style="list-style-type: none"> Vreća za travu nije pravilno instalirana. 	<ul style="list-style-type: none"> Pravilno instalirajte vreću za travu prateći odeljak „INSTALIRANJE VREĆE ZA TRAVU“ u priručniku.

PROBLEM	UZROK	REŠENJE
Sečiva stopiraju rotaciju tokom košenja trave.	<ul style="list-style-type: none"> Traktor je preopterećen. 	<ul style="list-style-type: none"> Povećajte visinu košenja platforme ili smanjite brzinu vožnje da biste smanjili opterećenje na traktor.
	<ul style="list-style-type: none"> Platforma je zapušena travom i prljavštinom. 	<ul style="list-style-type: none"> Očistite platformu i uverite se da sečiva mogu slobodno da se kreću.
	<ul style="list-style-type: none"> Traktor je pregrejan. 	<ul style="list-style-type: none"> Smanjite opterećenje traktora tako što ćete povećati visinu košenja platforme ili smanjiti brzinu sečiva/vožnje i ostaviti traktor da se ohladi.
	<ul style="list-style-type: none"> Baterije u odeljcima za baterije na traktoru su pregrejane, a rezultat je da ukupni Ah zbir svih umetnutih baterija ne ispunjava zahtev 	<ol style="list-style-type: none"> Traktor može nastaviti da radi ako ukupni Ah baterija, izuzimajući pregrejanu bateriju, ispunjava zahtev. Kad se pregrejana baterija vrati na normalnu temperaturu, odmah će se uključiti u napajanje traktora. Ako ukupni Ah baterija ne ispunjava zahtev, traktor neće raditi dok se još baterija ne umetne u prazne odeljke za baterije. Smanjite opterećenje traktora tako što ćete povećati visinu košenja platforme ili smanjiti brzinu vožnje kad nastavite rad.
	<ul style="list-style-type: none"> Traktor je u režimu odlaska kući. 	<ul style="list-style-type: none"> Kad je traktor u režimu odlaska kući, sečiva se automatski prebacuju u malu brzinu rotacije. Rukovalac treba da stopira rad i odveze se na mesto punjenja baterije što pre.
	<ul style="list-style-type: none"> Traktor je udario strani predmet, rezultujući u samozaštiti motora. 	<ul style="list-style-type: none"> Gurnite PTO prekidač nadole a zatim nagore da biste restartovali motore sečiva.
	<ul style="list-style-type: none"> Traktor se kreće u rikverc sa ikonicom za ISKLJUČENO KOŠENJE U RIKVERC osvetljenom na LCD ekranu. 	<ul style="list-style-type: none"> Pritisnite PTO prekidač nadole i ponovo pokrenite motore sečiva prateći uputstva u odeljku „Za aktiviranje KOŠENJA U RIKVERC“.
Zvučni indikator nastavlja da se oglašava.	<ul style="list-style-type: none"> Traktor je u režimu odlaska kući a sečiva nisu isključena. 	<ul style="list-style-type: none"> Gurnite PTO prekidač nadole da biste isključili motore sečiva. Zvučni indikator će prestati da se oglašava kad se motori sečiva isključe.
	<ul style="list-style-type: none"> Traktor stopira vožnju na nagibu a rukovalac ustaje sa sedišta bez postavljanja pedale parkirne kočnice u položaj kočenja. 	<ul style="list-style-type: none"> Postavite pedalu parkirne kočnice u položaj kočenja pre no što ostavite traktor na nagibu.
Indikatori napajanja na baterijama i dalje su osvetljeni kad je traktor isključen.	<ul style="list-style-type: none"> Kad se traktor isključi na ravnom tlu bez vađenja baterija iz traktora, indikatori napajanja će ostati osvetljeni neko vreme. 	<ul style="list-style-type: none"> Nije potrebna nikakva radnja. Indikatori baterija će se isključiti kad se traktor isključi posle nekog vremena. Pogledajte odeljak „STOPIRANJE TRAKTORA“ za konkretno vreme
	<ul style="list-style-type: none"> Kad se traktor isključi na nagibu bez postavljanja parkirne kočnice, indikatori napajanja na baterijama će ostati uključeni dok se baterije ne isprazne. Zvučni indikator istovremeno nastavlja da se oglašava. 	<ul style="list-style-type: none"> Postavite pedalu parkirne kočnice u položaj kočenja pre no što ostavite traktor na nagibu. U suprotnom, traktor može skliznuti niz nagib.

PROBLEM	UZROK	REŠENJE
LCD ekran neće da se osvetli sa svim ikonicama uključenim.	<ul style="list-style-type: none"> ■ Dugme start/stop nije pritisnuto dovoljno vremena. 	<ol style="list-style-type: none"> 1. LCD ekran će prikazati samo pokazivač goriva kad se start/stop dugme pritisne na kratko. 2. LCD ekran će se uključiti nakon što potpuno pritisnete pedalu parkirne kočnice i istovremeno dovoljno dugo pritisnete start/stop dugme.
	<ul style="list-style-type: none"> ■ Kad ikonica sigurnosnog ključa „“ bljeska na LCD ekranu, sigurnosni ključ nije umetnut. 	<ul style="list-style-type: none"> ■ Umetnite sigurnosni ključ, zatim potpuno pritisnite pedalu parkirne kočnice i istovremeno dovoljno dugo pritisnite start/stop dugme da biste uključili LCD ekran.
	<ul style="list-style-type: none"> ■ Kad ikonica parkirne kočnice „“ bljeska na LCD ekranu, pedala parkirne kočnice nije u potpunosti pritisnuta. 	<ul style="list-style-type: none"> ■ Umetnite sigurnosni ključ, zatim potpuno pritisnite pedalu parkirne kočnice i istovremeno dovoljno dugo pritisnite start/stop dugme da biste uključili LCD ekran.
Traktor kosi neravnomerno, sa značajnom razlikom u visini napred-nazad.	<ul style="list-style-type: none"> ■ Sečiva su tupa. 	<ul style="list-style-type: none"> ■ Naoštrite ili zamenite sečiva prema uputstvima u ovom priručniku.
	<ul style="list-style-type: none"> ■ Sečiva su iskrivljena. 	<ul style="list-style-type: none"> ■ Zamenite iskrivljena sečiva prateći uputstva u odeljku „Zamena sečiva“.
	<ul style="list-style-type: none"> ■ Platforma nije nivelisana, što dovodi do različite visine sečiva 	<ul style="list-style-type: none"> ■ Nivelišite platformu prateći uputstva u odeljku „Nivelisanje platforme“.
Stvarna visina košenja trave nije u skladu sa podešenom visinom.	<ul style="list-style-type: none"> ■ Navrtke platforme su labave na sponi vešanja. 	<ul style="list-style-type: none"> ■ Pratite uputstva u odeljku „Nivelisanje platforme“ da biste pravilno podesili platformu traktora napred-nazad i čvrsto zategnite navrtke na sponi vešanja.
	<ul style="list-style-type: none"> ■ Platforma je oštećena ili ozbiljno pohabana. 	<ul style="list-style-type: none"> ■ Pratite uputstva u odeljku „Uklanjanje platforme“ da biste zamenili platformu traktora.
Traktor ne malčira pravilno.	<ul style="list-style-type: none"> ■ Mokra pokošena trava se lepi za donju stranu platforme. 	<ul style="list-style-type: none"> ■ Sačekajte da se trava osuši pre košenja.
	<ul style="list-style-type: none"> ■ Traktor je postavljen da kosi suviše trave odjednom. 	<ul style="list-style-type: none"> ■ Povećajte visinu košenja platforme.
Prekomerne vibracije.	<ul style="list-style-type: none"> ■ Sečiva su labava. 	<ul style="list-style-type: none"> ■ Zategnite zavrtnj sečiva na preporučeni obrtni moment.
	<ul style="list-style-type: none"> ■ Sečiva su iskrivljena. 	<ul style="list-style-type: none"> ■ Zamenite iskrivljena sečiva prateći uputstva u odeljku „Zamena sečiva“.
	<ul style="list-style-type: none"> ■ Platforma nije nivelisana. 	<ul style="list-style-type: none"> ■ Nivelišite platformu traktora prateći uputstva u odeljku „Nivelisanje platforme“.
	<ul style="list-style-type: none"> ■ Navrtke platforme su labave na sponi vešanja. 	<ul style="list-style-type: none"> ■ Zategnite matice na sponi vešanja.
Trava ili materijal ostaju na zemlji posle košenja.	<ul style="list-style-type: none"> ■ Platforma je postavljena da kosi suviše trave odjednom kad je trava visoka. 	<ul style="list-style-type: none"> ■ Započnite sa velikom visinom košenja i smanjujte je dok ne ostvarite željeni rezultat košenja. Trava viša od 152 mm treba se kositi dvaput, prvo na većoj pa onda na manjoj visini košenja.
	<ul style="list-style-type: none"> ■ Trava je vlažna. 	<ul style="list-style-type: none"> ■ Ne kosite kad je trava mokra. Sačekajte dok se trava ne osuši.
	<ul style="list-style-type: none"> ■ Brzina vožnje je visoka. 	<ul style="list-style-type: none"> ■ Smanjite brzinu vožnje.
	<ul style="list-style-type: none"> ■ Brzina sečiva je niska. 	<ul style="list-style-type: none"> ■ Postepeno povećavajte brzinu sečiva.
Kratko vreme rada traktora sa priloženim baterijama.	<ul style="list-style-type: none"> ■ Teren travnjaka, stanje trave, postavka visine košenja, brzina vožnje, brzina sečiva itd. će uveliko uticati na vreme rada. 	<ul style="list-style-type: none"> ■ Povećajte visinu košenja platforme i smanjite brzinu sečiva da biste smanjili opterećenje košenja.

PROBLEM	UZROK	REŠENJE
Praćenje traktora nije ravno.	<ul style="list-style-type: none"> ■ Pritisak u gumama levih i desnih točkova je različit. 	<ul style="list-style-type: none"> ■ Proverite i podesite pritisak vazduha u gumama prednjih i zadnjih točkova, prema preporukama u odeljku „SPECIFIKACIJE“ u ovom priručniku.
Pedala parkirne kočnice ne može da se otpusti iz položaja kočenja ili se sporo vraća nazad.	<ul style="list-style-type: none"> ■ Putanja kojom se kreće pedala parkirne kočnice je blokirana prljavštinom. 	<ul style="list-style-type: none"> ■ Proverite da li ima prljavštine i uklonite je.
Traktor se ne može puniti preko porta za punjenje a indikator statusa traktora svetli neprekidno crveno.	<ul style="list-style-type: none"> ■ Utikač punjača nije pravilno umetnut u port za punjenje na traktoru. 	<ul style="list-style-type: none"> ■ Ponovo spojite utikač punjača da biste videli da li traktor može normalno da se puni.
	<ul style="list-style-type: none"> ■ Nema struje u zidnoj utičnici. 	<ul style="list-style-type: none"> ■ Nije potrebna nikakva radnja. Sačekajte da dođe struja.
	<ul style="list-style-type: none"> ■ Kvar punjača. 	<ul style="list-style-type: none"> ■ Obratite se EGO centru za korisničku službu i po potrebi odnesite punjač na pregled i/ili popravku kod kvalifikovanog servisnog tehničara.
	<ul style="list-style-type: none"> ■ Port za punjač na traktoru je neispravan. 	<ul style="list-style-type: none"> ■ Obratite se EGO centru za korisničku službu radi popravke.
Vreme punjenja preko porta za punjenje traktora je predugačko.	<ul style="list-style-type: none"> ■ Korišćenje EGO adaptera ACA1000 za punjenje zahteva mnogo vremena. 	<ul style="list-style-type: none"> ■ Koristite EGO punjač CHV1600E za direktno punjenje električnog traktora za travnjak.
Baterije se ne mogu napuniti do kraja preko porta za punjenje traktora.	<ul style="list-style-type: none"> ■ Greška u firmveru traktora ili kvar punjača ili baterije. 	<ul style="list-style-type: none"> ■ Resetujte punjač tako što ćete ga iskopčati i sačekati nekoliko minuta. Zatim ponovo priključite utikač na napajanje. Ako to ne reši problem, pozovite EGO centar za korisničku podršku.
Traktor se ne može startovati nakon čišćenja.	<ul style="list-style-type: none"> ■ Nepravilno čišćenje, poput dospevanja vode na električne komponente, LCD ekran itd. 	<ol style="list-style-type: none"> 1. Pratite uputstva u odeljku „OPŠTE ODRŽAVANJE“ da biste pravilno očistili traktor. 2. Ako je traktor slučajno uhvatila kiša, ostavite ga da se suši ili koristite komprimovani vazduh da biste ga osušili.
Platforma se brzo zapuši.	<ul style="list-style-type: none"> ■ Platforma nije pravilno očišćena posle prethodne upotrebe. 	<ul style="list-style-type: none"> ■ Očistite platformu traktora posle svake upotrebe, prateći odeljak „Korišćenje porta za pranje za čišćenje platforme“.
Traktor lako gubi trakciju kad se penje uz nagib.	<ul style="list-style-type: none"> ■ Gume na zadnjim točkovima su izlizane. 	<ul style="list-style-type: none"> ■ Potražite lokalni servis koji će zameniti gume na točkovima.
	<ul style="list-style-type: none"> ■ Košenje na strmom nagibu. 	<ul style="list-style-type: none"> ■ Traktor ne bi trebalo koristiti za košenje nagiba strmijih od navedenih.
Kad je traktor stopiran na nagibu sa angažovanom pedalom parkirne kočnice, traktor može da se kotrlja niz nagib.	<ul style="list-style-type: none"> ■ Komponente kočnice su prekomerno pohabane zbog nepravilnog rukovanja traktorom. 	<ul style="list-style-type: none"> ■ Obratite se EGO centru za korisničku službu radi popravke.
Voda ne izlazi iz porta za pranje kad pokušavate da operete platformu.	<ul style="list-style-type: none"> ■ Brza spojnica za port za pranje nije pravilno montirana na port za pranje. 	<ul style="list-style-type: none"> ■ Ponovo pričvrstite brzu spojnicu porta za pranje dok ne čujete jasno škljocanje nakon čvrstog guranja. Ako to ne uspe, nazovite EGO centar za korisničku službu.
Čuje se abnormalan zvuk tokom ručnog guranja traktora bez njegovog startovanja.	<ul style="list-style-type: none"> ■ Zvuk dolazi iz magneta unutar pogonskog motora. 	<ul style="list-style-type: none"> ■ To je normalno i nije potrebna nikakva radnja.
Volan ne može da se okreće.	<ul style="list-style-type: none"> ■ Sklop volana je blokirano prljavštinom. 	<ul style="list-style-type: none"> ■ Proverite da li ima prljavštine i uklonite je.
Traktor ne skreće levo/desno kad se rotira volan.	<ul style="list-style-type: none"> ■ Kvar elektronskih ili mehaničkih komponenti. 	<ul style="list-style-type: none"> ■ Obratite se EGO centru za korisničku službu radi popravke.

PROBLEM	UZROK	REŠENJE
Traktor neće da se stopira kad se pusti pedala gasa.	<ul style="list-style-type: none"> ▪ Putanja kojom se vraća pedala gasa je blokirana prijavštinom. 	<ul style="list-style-type: none"> ▪ Proverite da li ima prijavštine i uklonite je.
	<ul style="list-style-type: none"> ▪ CCS dugme je nehodično pritisnuto tokom vožnje. Traktor je u režimu tempomata 	<ul style="list-style-type: none"> ▪ Proverite da li je CCS ikonica osvetljena na LCD ekranu i izađite iz režima CCS po potrebi. Pogledajte poglavlje „KORIŠĆENJE TEMPOMATA (CCS)“
CCS funkcija ne može da se aktivira ili isključi.	<ul style="list-style-type: none"> ▪ CCS dugme nije pravilno pritisnuto. 	<ul style="list-style-type: none"> ▪ Pritisnite CCS dugme dok CCS ikonica ne bude osvetljena na LCD ekranu ili dok ne nestane sa njega.
Prednji točkovi traktora se rotiraju uz abnormalnu buku	<ul style="list-style-type: none"> ▪ Naglancima vratila na prednjim točkovima je potrebno podmazivanje. 	<ul style="list-style-type: none"> ▪ Uklonite baterije a zatim sipajte mazivo u otvore za ubrizgavanje sve dok se mazivo ne prelije preko gornje ivice ili donje ivice naglavaka vratila na prednjim točkovima.

REFERENCA STATUSA TRAKTORA

LCD ekran	Opis	Indikator statusa traktora	Audio indikator	Uzrok	Rešenje
	Ikonica pokazivača goriva	ISKLUČENO	Ne	Označava prosečan kapacitet punjenja umetnutih baterija	To je normalno funkcionisanje. Nije potrebna nikakva radnja.
	Ikonica brojača sati	ISKLUČENO	Ne	Prikazuje ukupno vreme vožnje traktora, u satima, i ne može se resetovati.	To je normalno funkcionisanje. Nije potrebna nikakva radnja.
	Ikonica indikatora opterećenja	ISKLUČENO	Ne	Pokazuje trenutno opterećenje traktora.	To je normalno funkcionisanje. Nije potrebna nikakva radnja.
	Ikonica LED svetala svetli na LCD ekranu.	ISKLUČENO	Ne	Prednja svetla se uključuju prekidačem LED svetla.	To je normalno funkcionisanje. Nije potrebna nikakva radnja.
	Bluetooth ikonica svetli na LCD ekranu	ISKLUČENO	Ne	Traktor je povezan sa mobilnim uređajem putem Bluetootha.	To je normalno funkcionisanje. Nije potrebna nikakva radnja.
	Ikonica za ISKLJUČENO KOŠENJE U RIKVERC svetli na LCD ekranu	ISKLUČENO	Ne	Označava da se sečiva ne mogu uključiti kada se traktor kreće u rikverc.	To je normalno funkcionisanje. Ako je potrebno, uključite sečiva tokom vožnje u rikverc prateći odeljak „UKLJUČIVANJE SEČIVA TOKOM VOŽNJE U RIKVERC“ u priručniku.
	Ikonica za pogon svetli na LCD ekranu	ISKLUČENO	Ne	Označava da se traktor može voziti ili se vozi unapred.	To je normalno funkcionisanje. Postavite polugu za kontrolu smera u položaj „D“, neutralni ili „R“ prema potrebi.
	Ikonica za rikverc svetli na LCD ekranu.	ISKLUČENO	Ne	Označava da se traktor može voziti ili se vozi unazad.	
	Ikonica za pogon i ikonica za rikverc trepere naizmenično	ISKLUČENO	Ne	Označava da traktor ne može da se vozi.	
	Ikonica sigurnosnog ključa svetli	ISKLUČENO	Ne	Sigurnosni ključ je pravilno umetnut.	To je normalno funkcionisanje. Nije potrebna nikakva radnja.
	Ikonica sigurnosnog ključa treperi kad LCD ekran prikazuje „pokazivač goriva“.	ISKLUČENO	Ne	Sigurnosni ključ nije umetnut.	Umetnite sigurnosni ključ, zatim potpuno pritisnite pedal parkirne kočnice i istovremeno pritisnite START/STOP dugme tokom duže od 3 sekunde da biste uključili traktor.
				Sklop kutije kontrolne ploče ključa je pokvaren.	Obratite se EGO centru za korisničku službu radi popravke.

LCD ekran	Opis	Indikator statusa traktora	Audio indikator	Uzrok	Rešenje
	Ikonica parkirne kočnice treperi kad LCD ekran prikazuje „pokazivač goriva“.	ISKLJUČENO	Ne	Pedala parkirne kočnice nije pritisnuta.	Sa sigurnosnim ključem umetnutim, potpuno pritisnite pedalu parkirne kočnice i istovremeno pritisnite START/STOP dugme tokom duže od 3 sekunde da biste uključili traktor.
	Ikonica parkirne kočnice treperi kad LCD ekran prikazuje interfejs rukovaoca.	ISKLJUČENO	Ne	Pritisnite pedalu gasa pre pritiska na pedalu parkirne kočnice da bi indikator traktora zasvetleo zeleno.	Startujte traktor pravilno prateći odeljak „ STARTOVANJE TRAKTORA “.
	Ikonica parkirne kočnice svetli	ISKLJUČENO	Ne	Pedala parkirne kočnice je postavljena u položaj kočenja.	Otpustite je pre startovanja traktora.
	Ikonica senzora sedišta svetli	ISKLJUČENO	Ne	Rukovalac je napustio sedište ili se sigurnosni sistem međusobnog zaključavanja sedišta razdvojio.	Ako je ikonica uključena dok sedite na sedištu, odmah stopirajte rad traktorom i proverite vezu sedišta. Ako potvrdite da je veza sedišta sa traktorom pravilna, obratite se kvalifikovanom servisnom tehničaru radi popravke.
	Ikonica PTO prekidača treperi	ISKLJUČENO	Ne	Rad motora sečiva je prekinut a PTO prekidač nije postavljen u isključen položaj.	Pre restartovanja traktora, gurnite PTO prekidač nadole da biste isključili motore sečiva. Pogledajte odeljak „ REŠAVANJE PROBLEMA “ u ovom priručniku radi reference.
	Ikonica za određeni odeljak baterije treperi.	ISKLJUČENO	Ne	Određena baterija daje prekomernu struju tokom pražnjenja.	Nije potrebna nikakva radnja. Traktor može nastaviti da radi ako je ukupni Ah baterija, izuzimajući bateriju sa prekomernom strujom, jednak ili veći od 15 Ah. Kad se baterija sa prekomernom strujom vrati na normalu, odmah će se uključiti u napajanje traktora i ikonica će nestati.
	Ikonica za prazan odeljak baterije treperi	ISKLJUČENO	Ne	Kapacitet baterija nije dovoljan da omogući rad traktora.	Da biste startovali ovaj traktor, koristite dovoljno EGO baterija prateći uputstva u odeljku „ SPAJANJE/ODVAJANJE BATERIJE “ u ovom priručniku.
	Ikonica za temperaturu i tačan zauzet odeljak baterije trepere istovremeno.	ISKLJUČENO	Ne	Baterija u odeljku za bateriju pod odgovarajućim brojem je pregrejana.	<ol style="list-style-type: none"> Traktor može nastaviti da radi ako ukupni Ah baterija, izuzimajući pregrejanu bateriju, ispunjava zahtev. Kad se pregrejana baterija vrati na normalnu temperaturu, odmah će se uključiti u napajanje traktora. Ako ukupni Ah baterija ne ispunjava zahtev, traktor neće raditi dok se još baterija ne umetne u prazne odeljke za baterije. Smanjite opterećenje traktora tako što ćete povećati visinu košenja platforme ili smanjiti brzinu vožnje kad nastavite rad.

LCD ekran	Opis	Indikator statusa traktora	Audio indikator	Uzrok	Rešenje
	Ikonica temperature treperi.	ISKLUČENO	Jedan zvuk	Traktor je pregrejan.	Smanjite opterećenje traktora tako što ćete povećati visinu košenja platforme ili smanjiti brzinu sečiva/vožnje. Napravite pauzu i omogućite traktoru da se ohladi.
				Traktor je previše hladan.	Nemojte pokušavati više puta jer to može oštetiti mašinu. Uvek držite traktor i baterije u toplom okruženju. Ponovo pokrenite traktor kad se zagreje.
	Ikonica upozorenja treperi	Bljeska crveno	Jedan zvuk	Motor sečiva je preopterećen.	Povećajte visinu košenja platforme ili smanjite brzinu vožnje da biste smanjili opterećenje traktora.
				Bočni izlazni otvor je začepljen travom i prljavštinom.	Očistite bočni izlazni otvor posle svake upotrebe.
				Postoje smetnje između sečiva i platforme traktora.	Pozovite EGO centar za korisničku službu
	Ikonice svih zauzetih odeljaka baterija i ikonica upozorenja istovremeno trepere svake 1 sekunde na LCD ekranu.	Bljeska crveno	Nastavlja da se oglašava dok PTO prekidač ne bude pritisnut nadole.	Baterije su slabo napunjene i traktor je u režimu odlaska kući.	Stopirajte rad i vratite se na mesto punjenja baterije. NAPOMENA: Kad je traktor u režimu odlaska kući, sečiva se automatski prebacuju u malu brzinu rotacije a u međuvremenu će zvučni indikator nastaviti da se oglašava. Rukovalac treba da pritisne PTO prekidač nadole da bi isključio motore sečiva. Zvučni indikator će prestati da se oglašava nakon stopiranja sečiva.
	Ikonica svakog zauzetog odeljka za bateriju i ikonica upozorenja trepere svakih pola sekunde.	Bljeska crveno	Nastavlja da se oglašava	Rad motora sečiva je prekinut a PTO prekidač nije postavljen u isključen položaj.	Traktor će odmah stopirati rad. Rukovalac treba da transportuje traktor do mesta za punjenje baterije radi punjenja.
	Ikonica za CCS svetli na LCD ekranu	Neprekidno zeleno	Ne	Traktor nastavlja unapred pri postavljenoj brzini bez potrebe da se pritisne pedala gasa.	To je normalno funkcionisanje. Ako je potrebno, isključite funkciju CCS prateći odeljak „ Za deaktiviranje tempomata (CCS) “ u priručniku.
	Ikonica za CCS treperi na LCD ekranu.	ISKLUČENO	Ne	Funkcija CCS (sistem tempomata) je u kvaru. Pedala parkirne kočnice je pritisnuta da bi se stopirao traktor.	CCS funkcija ne može da se postavi kad traktor vozi veoma malom brzinom ili kad vozi u rikverc. Nakon otpuštanja pedale parkirne kočnice, pritisnite dugme CCS i ikonica za CCS će se osvetliti na LCD-u, ili izađite iz funkcije CCS prateći uputstva u odeljku „ Za deaktiviranje tempomata (CCS) “.

LCD ekran	Opis	Indikator statusa traktora	Audio indikator	Uzrok	Rešenje
	Ikonica za nedostatak vreće svetli na LCD ekranu	Nije primenjivo	Ne	Označava da vreća za travu nije montirana na traktor ili nije pravilno montirana.	Pravilno montirajte vreću za travu na traktor.
	Ikonica pune vreće treperi na LCD ekranu	Nije primenjivo	Ne	Označava da je vreća za travu puna.	Ispraznite vreću za travu i pravilno je vratite.
Nije primenjivo	Nije primenjivo	ISKLJUČENO	Nastavlja da se oglašava	Traktor je parkiran na nagibu a rukovalac napušta traktor bez postavljanja pedale parkirne kočnice u položaj kočenja.	Postavite pedalu parkirne kočnice u položaj kočenja. Ikonica parkirne kočnice će se osvetliti a zvučni indikator će prestati da se oglašava.
ISKLJUČENO	Kvar porta za punjenje	Neprekidno CRVENO	Nije primenjivo	Nema napajanja.	Proverite da li zidna utičnica ima napajanje 220-240 V i da li je ispravna.
		Neprekidno CRVENO	Nije primenjivo	Greške elektronike, poput otvorenog strujnog kola porta za punjenje, prekinutog osigurača itd.	Obratite se EGO centru za korisničku službu radi popravke.

REFERENCE KODOVA GREŠKE

Opis	Kod greške na LCD-u	Audio indikator	Rešenje
Levi motor sečiva ne uspeva da se rotira	509	Jedan zvuk	Prvo pregledajte sečivo. Ako se zavrtanj olabavi, zategnite ga na preporučeni obrtni moment. U suprotnom se obratite EGO centru za korisničku službu radi popravke.
Desni motor sečiva ne uspeva da se rotira	609	Jedan zvuk	

OBAVEŠTENJE: Za sve ostale kodove greške koji se pojave na LCD ekranu, koji mogu da ukazuju na otkazivanje PCBA, labave spojeve, otkazivanje pogonskog motora, motora sečiva itd, izvadite sve baterije i ponovo ih umetnite nekoliko minuta kasnije da biste restartovali traktor. Ako to ne reši problem, zapišite kod greške i obratite se EGO centru za korisničku službu radi popravke.

GARANCIJA

EGO POLITIKA GARANCIJE

Posetite veb-lokaciju egopowerplus.eu za potpune uslove i odredbe EGO politike garancije.

PROČITAJTE UPUTSTVO U CIJELOSTI!



PROČITAJTE KORISNIČKI PRIRUČNIK

SIGURNOSNI SIMBOL

Svrha sigurnosnih simbola je skretanje pažnje na moguće opasnosti. Sigurnosni simboli i njihova objašnjenja zahtijevaju vašu potpunu pažnju i razumijevanje. Simboli upozorenja sami po sebi ne isključuju opasnost. Uputstva i upozorenja koja simboli pružaju nisu zamjena za propisne mjere za prevenciju nesreća.

▲ UPOZORENJE! Prije upotrebe ovog alata pobrinite se da sva sigurnosna uputstva u ovom korisničkom priručniku, uključujući sve sigurnosne simbole kao što su "OPASNOST", "UPOZORENJE" i "OPREZ" pročitate s razumijevanjem. Zanemarivanje svih uputstava navedenih u nastavku može rezultirati strujnim udarom, požarom i/ili teškim tjelesnim povredama.

ZNAČENJE SIMBOLA

Na ovoj stranici slikovno su prikazani i objašnjeni sigurnosni simboli koji se mogu pojaviti na ovom proizvodu. Prije pokušaja sastavljanja i rukovanja, s razumijevanjem pročitajte sva uputstva na proizvodu i pridržavajte ih se.

SIGURNOSNI SIMBOLI

	Simbol upozorenja.		S razumijevanjem pročitajte korisnički priručnik.
	Zaštita za oči		Održavajte sigurnosne uređaje.
	OPASNOST – Opasnost od strmih nagiba!		OPASNOST – Prisutne osobe držite podalje od noževa.
	Nemojte nikada prevoziti djecu.		Uvijek gledajte iza sebe tokom vožnje unazad.
	UPOZORENJE – Ovu mašinu nemojte upotrebljavati na nagibima većim od 12°.		OPASNOST – Odbačeni predmeti!
	UPOZORENJE – DRŽITE PODALJE ŠAKE I STOPALA.		Zagarantovani nivo zvučne snage. U skladu s Direktivom Evropske unije.
	Nemojte upotrebljavati kosilicu kao stepenicu.		Otpadni električni proizvodi ne smiju se odlagati s otpadom iz domaćinstva. Odnosite ih u ovlašteni centar za reciklažu.
	Ovaj proizvod je u skladu s primjenjivim Direktivama EU.		OPREZ – Nemojte zuriti u radnu lampu.
	Istosmjerna struja		Ovaj proizvod je u skladu s važećim zakonodavstvom Velike Britanije.

BS

kPa	Kilopaskal
V	Volt
in	Inč
Nm	Njutnmetar
°C	Celzijus
km/h	Kilometri po satu

o/min	Okretaji u minuti
m	Metri
cm	Centimetri
mm	Milimetri
kg	Kilogram
IPX4	Stepen zaštite od prodiranja

SIMBOLI U OVOM PRIRUČNIKU



Informaciju je potrebno zabilježiti.



Naznačena radnja se zaustavlja.

TEHNIČKI PODACI

Napon	56 V	
Veličina trupa	98 cm	
Veličina točka	Prednja strana	15 x 6 – 6 in.
	Stražnja strana	18 x 7,5 – 8 in.
Pritisak u hladnim gumama	Prednja strana	96,5 kPa
	Stražnja strana	170 kPa
Brzina noža (o/min)	Do 3000	
Maksimalna brzina vožnje	Naprijed	Do 9,6 km/h
	Unazad	do 4,8 km/h
Podešavanje visine košnje (12 položaja)	25 – 100 mm	
Raspon temperature punjenja	5 °C – 40 °C	
Radna temperatura	0 °C – 40 °C	
Temperatura skladištenja	-20 °C – 70 °C	
Masa (bez kompleta baterija)	220 kg	
Izmjereni nivo zvučne snage L_{WA}	97,7 dB(A) K=1,75 dB(A)	
Nivo zvučnog pritiska kod uha rukovaoca L_{PA}	83,6 dB(A) K=3 dB(A)	
Zagarantovani nivo zvučne snage L_{WA} (izmjereno u skladu s Direktivom 2000/14/EZ)	100 dB(A)	
Vibracije a_h	Šaka	0,24 m/s ² K=1,5 m/s ²
	Tijelo	0,18 m/s ² K=1,5 m/s ²

- Deklarisane ukupne vrijednosti vibracija izmjerene su u skladu sa standardnom metodom ispitivanja i mogu se primjenjivati za poređenje jednog alata s drugim.
- Deklarisane ukupne vrijednosti vibracija mogu se primjenjivati i u preliminarnoj procjeni izloženosti.

NAPOMENA! Emisija vibracija tokom aktualne upotrebe električnog alata može se razlikovati od deklarisanе vrijednosti u kojoj se alat upotrebljavao; korisnik radi zaštite treba nositi rukavice i štitičke za uši u aktualnim uslovima upotrebe.

PREPORUČENI PRIBOR

▲ UPOZORENJE! Upotrebljavajte samo dodatnu opremu navedenu u nastavku. Upotreba dodatne opreme koja ne ispunjava zahtjeve specifikacija originalne opreme može rezultirati nepropisnim radnim učinkom i nedovoljnom sigurnošću.

NAZIV DIJELA	BROJ MODELA
Set kolekcijskih noževa	AB3801TD
Utični priključak za malčiranje	AMP3800T

OPIS

UPOZNAJTE SVOJU TRAKTORSKU KOSILICU (SI. A1)

1. Sjedište
2. Držać za čaše
3. Stražnji točak (pogonski točak) (x2)
4. Priključak za pranje (x2)
5. Ploča
6. Anti-scalp točak (x2)
7. Prednji točak (x2)
8. Prednji odbojnik
9. Papučica parkirne kočnice
10. Prednje LED svjetlo (x2)
11. Jedinica napajanja
12. Pretinac za odlaganje
13. Ručica za zabavljanje parkirne kočnice
14. Upravljač
15. Ručica za podešavanje položaja sjedišta

16. Sakupljač trave
17. Priključak za punjenje
18. USB priključak
19. Korpa za odlaganje
20. Papučica gasa
21. Ručica za podešavanje visine ploče
22. Ručica za naginjanje
23. Ručka
24. Indikator statusa traktorske kosilice
25. Dugme za podešavanje brzine noža
26. Dugme za KOŠNJU UNAZAD
27. Dugme za pokretanje/zaustavljanje
28. Upravljačka ručica za smjer
29. Sigurnosni ključ
30. PTO prekidač
31. Dugme CCS
32. Dugme za LED svjetla/dugme za Bluetooth
33. Dugme za podešavanje brzine vožnje
34. Dugme za otpuštanje poklopca jedinice napajanja
35. Poklopac jedinice napajanja
36. Pogonska jedinica sa šest pretinaca za baterije
37. Dugme za oslobađanje baterije

UPOZNAJTE LCD EKRAN (SI. A2)

Više informacija o ikonama i indikatorima na LCD ekranu potražite u odjeljku "REFERENCE ZA STATUS TRAKTORSKE KOSILICE" i "REFERENCE ZA KODOVE GREŠKE".

1. Ikona CCS
2. Indikator statusa sigurnosnog uređaja
3. Ikona ISKLJUČENA KOŠNJA UNAZAD
4. Ikona vožnje
5. Ikona vožnje unazad
6. Ikona sigurnosnog ključa
7. Ikona LED svjetala
8. Ikona Bluetooth
9. Indikator brzine noža
10. Brojač sati
11. Indikator napunjenosti
12. Ikona temperature
13. Ikona upozorenja (preopterećenje/niska snaga)
14. Ikona praznog pretinca za baterije
15. Ikona zauzetog pretinca za baterije
16. Indikator koda greške
17. Indikator opterećenja
18. Indikator brzine vožnje
19. Ikona punog sakupljača
20. Ikona nepostavljenog sakupljača

OTPAKIVANJE

NAPOMENA! Ambalažu čuvajte dok pažljivo ne pregledate proizvod i ne budete zadovoljni radom proizvoda. Ako su na mašini postavljeni dijelovi iz sadržaja pakovanja, odmah se obratite EGO servisnoj službi.

NAPOMENA! Osim alata iz sadržaja pakovanja u nastavku, svi drugi alati navedeni u priručnicima samo su preporučeni i nisu uključeni u sadržaj isporuke.

SADRŽAJ PAKOVANJA (SI. B)

B-1	Električna traktorska kosilica	B-2	Sjedište
B-3	Upravljač	B-4	Kapica za zaštitu od prašine
B-5	Kombinovani ključevi	B-6	Nasadni ključ 18 mm
B-7	Stepenasti matični vijci (1 rezervni)	B-8	Matice M8 (1 rezervna)
B-9	Matice M12 (1 rezervna)	B-10	Podloške (1 rezervna)
B-11	Sigurnosni ključ	B-12	Brza spojnica priključka za pranje
B-13	Korisnički priručnik	B-14	Sakupljač trave (s dva kompleta matičnih vijaka i matica za bočne držače)
B-15	Držač u obliku slova U	B-16	Bočni držač
B-17	Ručica za naginjanje	B-18	Lijevi i desni potporni držač sakupljača
B-19	Prečka	B-20	Matični vijak M8 x 40
B-21	Matični vijak M8 x 25	B-22	Matica M8

SASTAVLJANJE

POSTAVLJANJE UPRAVLJAČA (SI. C1)

C1-1	Stub upravljača	C1-2	Upravljač
C1-3	Centralna linija	C1-4	Podloška
C1-5	Matica	C1-6	Nasadni ključ 18 mm
C1-7	Poklopac za zaštitu od prašine		

POSTAVLJANJE SJEDIŠTA (SI. C2)

▲ UPOZORENJE! Sigurnosni sistem zaključavanja ne smije se odspojiti niti zaobići. Ako to učinite, traktorska kosilica bi mogla početi neočekivano raditi, što može rezultirati tjelesnim povredama.

C2-1	Sjedište	C2-2	Matica (M8)
C2-3	Stepenasti matični vijak	C2-4	Utičnica
C2-5	Utikač		

BS

POSTAVLJANJE SAKUPLJAČA TRAVE (SI. C3 – C8)

C3-1	Držač u obliku slova U	C3-2	Sakupljač
C3-2	4 seta matičnih vijaka i matica (M8 x 40)	C3-4	Kombinovani ključ
C4-1	Bočni držači	C4-2	4 seta matičnih vijaka i matica (M8 x 40)
C4-3	Kombinovani ključ	C5-1	Ručica za naginjanje
C5-2	1 set matičnih vijaka i matica (M8 x 40)	C5-3	Kombinovani ključ
C6-1	Potporni držači sakupljača	C6-2	4 seta matičnih vijaka i matica (M8 x 25)
C6-3	Kombinovani ključevi	C7-1	Prečka
C7-2	2 matice (M8)	C7-3	Kombinovani ključ

PODEŠAVANJE

PRIJE PODEŠAVANJA (SI. D1)

PODEŠAVANJE VISINE REZNE PLOČE (SI. D2)

PODEŠAVANJE ANTI-SCALP TOČKOVA (SI. D3 – D6)

D3-1	Anti-scalp točkovi	D5-1	Matica
D5-2	Sidrena osovina	D6-1	Oznaka visine ploče

PODEŠAVANJE SJEDIŠTA (SI. D7)

D7-1	Ručica za podešavanje položaja sjedišta
------	---

RAD

PRIJE RADA (SI. E1)

PODEŠAVANJE PARKIRNE KOČNICE (SI. E2)

E2-1	Položaj parkirne kočnice	E2-2	Položaj otpuštanja
------	--------------------------	------	--------------------

▲ UPOZORENJE! PAPUČICA PARKIRNE KOČNICE NE MOŽE USPORITI BRZINU VOŽNJE. NEMOJTE NIKADA POKUŠAVATI PRITISKATI PAPUČICU PARKIRNE KOČNICE DA USPORITE BRZINU VOŽNJE TOKOM VOŽNJE. KADA SE PARKIRNA KOČNICA PRITISNE, ALI NE I POSTAVI U POLOŽAJ PARKIRNE KOČNICE, ELEKTRIČNA KOČNICA VIŠE NIJE EFIKASNA I TRAKTORSKA KOSILICA ĆE PRESTATI KOSITI NA RAVNOJ POVRŠINI. ALI AKO SE TO DOGODI NA NAGIBU, TRAKTORSKA KOSILICA MOŽE SKLIZNUTI NIZ NAGIB KADA SE PAPUČICA PARKIRNE KOČNICE OTPUSTI.

▲ UPOZORENJE! ODMAH POVUCITE RUČICU ZA ZABRAVLJIVANJE PARKIRNE KOČNICE PREMA GORE I PRITISNITE PAPUČICU PARKIRNE KOČNICE DA JE POSTAVITE U POLOŽAJ PARKIRNE KOČNICE. U HITNOM SLUČAJU TRAKTORSKA KOSILICA ĆE SE ODMAH ZAUSTAVITI I NEĆE SKLIZNUTI NIZ NAGIB.

BS

POSTAVLJANJE/SKIDANJE KOMPLETA BATERIJA (SI. E3 – E6)

Za pokretanje ove traktorske kosilice potrebne su EGO baterije ukupnog kapaciteta od 15 Ah (2 x BA4200/BA4200T) ili više. Za najbolji radni učinak, preporučujemo upotrebu EGO baterija ukupnog kapaciteta od 30 Ah ili više.

E3-1	Dugme za otpuštanje poklopca	E5-1	Dugme za oslobađanje baterije
------	------------------------------	------	-------------------------------

PUNJENJE TRAKTORSKE KOSILICE

Upotrebjavajte samo preporučene komplete baterija i punjače.

- Zasebno punjenje kompleta baterija (sl. E7)

NAPOMENA! Detaljne upute potražite u odgovarajućim priručnicima za bateriju i punjač.

- Punjenje kompleta baterija putem priključka za punjenje (sl. E8 – E10)

E10-1	Kapica za zaštitu od prašine	E10-2	Priključak za punjenje
-------	------------------------------	-------	------------------------

PROVJERA SIGURNOSNOG SISTEMA ZAKLJUČAVANJA

- Provjera sistema ploče i noža (sl. E11 – E12)
- Provjera sistema vožnje (sl. E13 – E14)

Ako se sistem ploče i noža i/ili sistem vožnje ne zaustave kada rukovalac ustane sa sjedišta i ako se uzrok ne može utvrditi nakon što se uvjerite da je utikač sjedišta pravilno priključen u utičnicu, odmah se obratite EGO servisnom centru za korisnike.

KOMUNIKACIJSKA TEHNOLOGIJA

Za informacije o našoj cjelokupnoj ponudi povezanih proizvoda i usluga, uključujući upute za povezivanje, skenirajte QR kod u nastavku ili posjetite internetsku stranicu www.egopowerplus.eu/connect.



KONTROLNA LISTA PRIJE RADA

- Pobrinite se da iz radnog područja udaljite djecu, prisutne osobe i kućne ljubimce.
- Radno područje očistite od predmeta koje bi noževi traktorske kosilice mogli odbaciti.
- Očistite naslage s traktorske kosilice.
- Provjerite jesu li pričvrtni elementi otpušteni.
- Provjerite jesu li svi štitnici na mjestu i rade li ispravno.
- Vizuelno provjerite jesu li gume napumpane.
- Provjerite rad kočnice.
- Podesite visinu ploče na željeni položaj košnje koji najbolje odgovara travnjaku i prema tome namjestite anti-scalp točkove.

- Podesite položaj sjedišta i provjerite možete li dosegnuti obje papučice.
- Provjerite nivo napunjenosti baterije.
- Provjerite sigurnosni sistem zaključavanja.
- Provjerite je li sakupljač trave pravilno postavljen.

POKRETANJE TRAKTORSKE KOSILICE (SI. E15 – SI. E16)

⚠ UPOZORENJE! Izbjegavajte nagla pokretanja, zaustavljanja, skretanja i prekomjernu brzinu, a posebno kada prvi put učite da rukujete traktorskom kosilicom. Traktorska kosilica se može brzo zavrtjeti, što može uzrokovati gubitak kontrole i teške povrede i/ili oštećenja.

⚠ UPOZORENJE! Prije pokretanja traktorske kosilice provjerite i uvjerite se da su noževi deaktivirani za 5 s kada pritisnete PTO prekidač. Ako se noževi ne zaustave, nemojte upotrebljavati traktorsku kosilicu i odmah se obratite EGO korisničkoj službi.

NAPOMENA!

- Ako je papučica parkirne kočnice postavljena u položaj parkirne kočnice, za uključivanje LCD ekrana trebate samo pritisnuti dugme za pokretanje/zaustavljanje 3 sekunde, a zatim otpustiti papučicu parkirne kočnice prije vožnje traktorske kosilice.
- Rezni noževi mogu se pokrenuti u bilo kojem trenutku sve dok je LCD ekran potpuno osvijetljen i upravljačka ručica za smjer nije povučena unazad u smjeru "R". Za uključivanje noževa tokom vožnje traktorske kosilice unazad pogledajte odjeljak "UKLJUČIVANJE NOŽEVA TOKOM VOŽNJE UNAZAD" u ovom priručniku.

NAPOMENA! Za postavljanje najniže brzine vožnje postupite prema sl. E17 tako da možete potpuno upravljati traktorskom kosilicom u svim situacijama.

Električna traktorska kosilica ne memoriše postavke brzine vožnje i brzine noža. Brzina vožnje i brzina noža će se vratiti na nivo 2 pri svakom isključivanju traktorske kosilice.

Podešavanje brzine vožnje (sl. E17)

Podešavanje brzine noža (sl. E18)

NAPOMENA! Kada ste na opciji "Nivo 3", ponovo pritisnite dugme za podešavanje brzine noža i brzina noža će vratiti na prethodnu brzinu.

LED svjetla (sl. E19)

- LED prednja svjetla mogu se uključivati i isključivati prekidačem za LED svjetla.

USB priključak

NAPOMENA! USB priključak omogućuje punjenje istosmjernom strujom od 5 V uz kombinovanu potrošnju energije od 1,5 ampera i napaja se samo kada je traktorska kosilica pokrenuta.

ZAUSTAVLJANJE TRAKTORSKE KOSILICE (SI. E20)

⚠ UPOZORENJE! Kada se traktorska kosilica zaustavi na nagibu, papučicu parkirne kočnice uvijek stavite u položaj parkirne kočnice. Traktorska kosilica u suprotnom može skliznuti niz nagib, što može uzrokovati teška oštećenja traktorske kosilice ili tjelesne povrede!

NAPOMENA! U situaciji kada je papučica parkirne kočnice postavljena u položaj parkirne kočnice i rukovalac nije na sjedištu, a kompleti baterija nisu izvađeni:

- Kada se LCD ekran isključi, indikatori baterije, dugme za pokretanje/zaustavljanje i dugme CCS će svijetliti 1 sat vremena.
- Kada se na LCD ekranu prikaže "indikator napunjenosti" ili sučelje rukovaoca, traktorska kosilica automatski se isključuje nakon 1 sat vremena.

Režim rada bez košnje

Kada napunjenost baterije postane kritično niska, traktorska kosilica se prebacuje u režim rada bez košnje kako bi uštedjela dovoljno energije za povratak u područje za punjenje.

- Noževi se prebacuju na nisku brzinu rotacije, kojom se može rezati vrlo mala količina trave. Kada naiđu na visoku i gustu travu, noževi se prestaju okretati. Zvučni indikator se oglašava u pravilnim intervalima (bip).
- Indikator statusa traktorske kosilice će bljeskati crveno svake sekunde, ikona upozorenja (niska snaga) i ikona svakog zauzetog pretinca za baterije će treperiti.

Rukovalac bi trebao uraditi sljedeće:

- Pritisnite PTO prekidač prema dolje da isključite motore noževa. Zvučni indikator više se ne oglašava kada se motori noževa zaustave.
- Što je moguće prije prestanite raditi i idite u područje za punjenje. Maksimalna udaljenost koju traktorska kosilica može preći je 1000 m.

Kada je baterija skoro prazna, ikona upozorenja (niska snaga) i ikona svakog zauzetog pretinca za baterije trepere svakih pola sekunde. Traktorska kosilica će odmah prestati raditi. Rukovalac traktorsku kosilicu treba transportovati do područja za punjenje radi punjenja.

NAPOMENA! Ako je potrebno ručno guranje, uvjerite se da su baterije odvojene od traktorske kosilice i da je papučica parkirne kočnice otpuštena iz položaja parkirne kočnice.

VOŽNJA TRAKTORSKE KOSILICE (SI. E21)

⚠ OPASNOST! Održavajte minimalnu udaljenost od dvije širine košnje od jaraka, kosina ili vode. Kada se traktorska kosilica zaustavi, čak i s aktiviranom kočnicom, prednji točkovi se mogu okretati i uzrokovati pad traktorske kosilice preko ruba ili u vodu, što može rezultirati smrću i teškim tjelesnim povredama.

⚠ UPOZORENJE! Traktorsku kosilicu nemojte upotrebljavati na javnim cestama.

⚠ UPOZORENJE! Ako dođe do začepjenja ili ako udarite o strani predmet, zaustavite motore i izvadite baterije. Uklonite pokošenu travu, lišće, prljavštinu i ostale nakupljene naslage; dobro pregledajte je li traktorska kosilica oštećena i popravite oštećenje prije ponovnog pokretanja traktorske kosilice i rukovanja traktorskom kosilicom.

NAPOMENA!

- Ako tokom vožnje napustite sjedište, indikator statusa traktorske kosilice se isključuje. Kada nastavite s vožnjom, sjednite nazad na sjedište i do kraja pritisnite papučicu parkirne kočnice tako da indikator statusa traktorske kosilice zasvijetli zeleno.
- Prilikom prebacivanja između smjera naprijed i nazad tokom vožnje, pomaknite upravljačku ručicu za smjer direktno s jednog kraja na drugi bez zaustavljanja u neutralnom položaju, jer bi se u suprotnom traktorska kosilice mogla zaustaviti.

UPOTREBA TEMPOMATA (CCS)

Aktivacija tempomata (CCS) (ulazak) (sl. E22)

NAPOMENA! Brzina kretanja prikazana na LCD ekranu možda neće tačno odražavati stvarnu brzinu vožnje traktorske kosilice na tempomatu. Pritisnite dugme za podešavanje brzine da "osvježite" nivo brzine vožnje na LCD ekranu.

Za zaustavljanje tempomata (CCS) (izlazak) možete odabrati jedan od tri načina:

- Pritisnite papučicu gasa do kraja i držite je pritisnutom. CCS funkcija će se zaustaviti i traktorska kosilica će nastaviti s vožnjom.
- Lagano pritisnite papučicu gasa i zatim je otpustite. Traktorska kosilica i CCS funkcija će se zaustaviti.
- Pritisnite dugme CCS. Traktorska kosilica i CCS funkcija će se zaustaviti.

NAPOMENA! Kada se CCS zaustavi, ikona "CCS" će nestati s LCD ekrana i dva puta će se oglasiti zvučni signal.

NAPOMENA! Ako se papučica parkirne kočnice pritisne, traktorska kosilica će se zaustaviti, ali na LCD ekranu će treperiti ikona "CCS" kako bi ukazala da je CCS u stanju pripravnosti. U tom slučaju otpustite papučicu parkirne kočnice i pritisnite dugme CCS. Traktorska kosilica će automatski nastaviti s vožnjom, a ikona "CCS" će prestati treperiti.

UKLJUČIVANJE NOŽEVA TOKOM VOŽNJE UNAZAD

NAPOMENA! Ne preporučujemo košnju tokom vožnje unazad.

⚠ UPOZORENJE! Budite vrlo oprezni prilikom košnje tokom vožnje unazad. Prije i tokom košnje unazad uvijek vodite računa da niko ne ulazi u radno područje, a posebno mala djeca.

⚠ UPOZORENJE! Rukovanje traktorskom kosilicom s pričvršćenim kompletom sakupljača može uticati na preglednost rukovaoca. Prije i tokom košnje unazad uvijek budite krajnje oprezni i upoznajte se sa svojim okruženjem.

Aktivacija režima rada KOŠNJA UNAZAD (ulazak) (E23)

Za zaustavljanje režima rada KOŠNJA UNAZAD (izlazak) možete odabrati jedan od tri načina:

- Jednom pritisnite dugme za režim rada KOŠNJA UNAZAD.
- Ustanite sa sjedišta traktorske kosilice.
- Pritisnite dugme za pokretanje/zaustavljanje 3 sekunde da isključite LCD ekran.
- Uklonite sigurnosni ključ ili komplet/e baterija da isključite traktorsku kosilicu.

NAPOMENA! Kada se režim rada KOŠNJA UNAZAD zaustavi, na LCD ekranu će svijetliti ikona "KOŠNJA UNAZAD".

PRAŽNENJE SAKUPLJAČA TRAVE (SI. E24)

NAPOMENA! Kada na LCD ekranu treperi ikona "Sakupljač", sakupljač trave je pun. Ikona "Sakupljač" će nestati s LCD ekrana nakon pražnjenja sakupljača.

NAPOMENA! Sakupljač trave treba pravilno postaviti na traktorsku kosilicu, jer u suprotnom se traktorska kosilica može voziti, ali se motori noževa ne mogu uključiti.

ODRŽAVANJE

⚠ UPOZORENJE! Uvijek nosite zaštitne naočale s bočnim štitnicima. Nepostupanje u skladu s tim može rezultirati odbacivanjem predmeta u oči i drugim mogućim teškim povredama.

⚠ UPOZORENJE! Pri obavljanju radova održavanja na nožu traktorske kosilice uvijek zaštitite ruke nošenjem čvrstih rukavica ili umotajte noževe krpama ili drugim materijalom. Za radove servisiranja ili transport traktorske kosilice uvijek izvucite sigurnosni ključ i izvadite komplet baterija.

PREPORUČENI RASPORED(I) ODRŽAVANJA

Interval radova održavanja	Postupak održavanja
Prije svake upotrebe ili svaki dan	<ul style="list-style-type: none"> ▪ Provjerite sigurnosni sistem zaključavanja. ▪ Vizuelno provjerite jesu li gume napumpane. ▪ Pregledajte noževe. ▪ Pregledajte cijeli proizvod na postojanje oštećenih, nedostajućih ili otpuštenih dijelova, kao što su bočni izlazni otvor, vijci, matice, osovinice, kapice, itd. i uvjerite se da su svi štitnici na svom mjestu i da propisno rade. ▪ Provjerite može li se papučica gasa pravilno pritisnuti i otpustiti. ▪ Provjerite amortizer upravljača. Upravljač bi se trebao okretati uz određeni otpor.
Nakon svake upotrebe	<ul style="list-style-type: none"> ▪ Očistite traktorsku kosilicu i operite trup kosilice.
Svakih 25 sati	<ul style="list-style-type: none"> ▪ Provjerite pritisak u gumama.
Svakih 100 sati	<ul style="list-style-type: none"> ▪ Provjerite stražnje točkove i provjerite jesu li sve matice točka pritegnute preporučenim momentom pritezanja (101 – 103 Nm). ▪ Provjerite prednje točkove i provjerite je li matica pritegnuta preporučenim momentom pritezanja (90 – 92 Nm).
Svakih 200 sati	<ul style="list-style-type: none"> ▪ Provjerite prednje točkove i provjerite da li se slobodno okreću.

Svakih pola godine	<ul style="list-style-type: none"> Provjera papučice parkirne kočnice. Izvadite bateriju iz traktorske kosilice, zatim povucite ručicu za zabavljanje parkirne kočnice prema gore i pritisnite papučicu parkirne kočnice da postavite parkirnu kočnicu. Gurnite traktorsku kosilicu rukom prema naprijed kako biste vidjeli može li pomaknuti bez okretanja stražnjih točkova. Ako se traktorska kosilica pomiče i stražnji točkovi se okreću, za popravak se obratite centru korisničke službe proizvođača EGO.
Prije skladištenja	<ul style="list-style-type: none"> Izvadite baterije iz traktorske kosilice. Uklonite sigurnosni ključ iz traktorske kosilice. Obavite sve prethodno navedene postupke održavanja i detaljno očistite traktorsku kosilicu. Prije skladištenja pregledajte cijeli proizvod na postojanje oštećenih, nedostajućih ili otpuštenih dijelova, zatim zamijenite ili pritegnite odnosne dijelove.
Godišnje	<ul style="list-style-type: none"> Podmažite rukavce osovine prednjih točkova.

OSNOVNO ODRŽAVANJE

Istresanje trave (sl. F1 – F3)

Čišćenje kućišta traktorske kosilice (sl. F4)

Upotreba priključka za pranje za čišćenje trupa traktorske kosilice (sl. F5 – F6)

F5-1	Priključak za pranje	F5-2	Brza spojnica priključka za pranje
F5-3	Vrtno crijevo		

NAPOMENA! Nakon završetka postupka čišćenja potpuno isključite traktorsku kosilicu, a zatim uklonite vrtno crijevo i brzu spojnicu.

ODRŽAVANJE TRUPA TRAKTORSKE KOSILICE I REZNIH NOŽEVA

Priprema (sl. G1)

Uklanjanje trupa kosilice (sl. G2 – G3)

G2-1	Kabel motora	G2-2	Rascjepka
G2-3	Spojni element sistema amortizacije		

Zamjena reznih noževa (sl. G4 – G6)

G4-1	Stabilizator	G5-1	Osovinica
G5-2	Podloška	G5-3	Nož
G5-4	Prirubnica	G5-5	Osovina motora

Nivelisanje trupa kosilice

- Kada je potrebno nivelisanje (sl. G7 / sl. G8 / sl. G9)**
- Prije nivelisanja**
 - Provjera pritiska u hladnim gumama (sl. G10).
 - Provjera reznih noževa. Uklonite istrošene, napuknute i/ili savijene noževe i po potrebi ih zamijenite.
- Priprema za nivelisanje (sl. G11)**
- Postupak nivelisanja**
 - Bočno podešavanje (sl. G12)
 - Podešavanje s prednje strane prema stražnjoj strani (sl. G13)

SKLADIŠTENJE I TRANSPORT

TRANSPORT TRAKTORSKE KOSILICE (SI. H1 – H5)

H2-1	Rampe	H2-2	Trake
------	-------	------	-------

NAPOMENA! Ako je potrebno, traktorsku kosilicu učvrstite trakama ili užadima da spriječite pomicanje tokom transporta.

SKLADIŠTENJE (SI. I1 – I2)

NAPOMENA: Uklonite komplet/e baterija i skladištite ih zasebno. Pogledajte odgovarajuće priručnike.

Prije skladištenja traktorsku kosilicu očistite i pregledajte, pogledajte odjeljke "OSNOVNO ODRŽAVANJE" i "PREPORUČENI RASPORED(I) ODRŽAVANJA".


Zaštita životne sredine



WEEE (električna i elektronička oprema koja više nije iskoristiva) Električnu opremu, iskorištenu bateriju i punjač nemojte odlagati u kućni otpad! Ovaj proizvod odnesite u ovlaštenu centar za reciklažu i time omogućite odvojeno sakupljanje. Električne alate potrebno je vratiti u ekološki prihvatljiv pogon za reciklažu.

RJEŠAVANJE PROBLEMA

PROBLEM	UZROK	RJEŠENJE
Električnu traktorsku kosilicu nije moguće voziti kada se pritisne papučica gasa.	<ul style="list-style-type: none"> Ukupna vrijednost Ah ugrađenih baterija ne ispunjava zahtjev. 	<ul style="list-style-type: none"> Za pokretanje traktorske kosilice upotrebljavajte dovoljno EGO baterija prema uputstvima u odjeljku “POSTAVLJANJE/SKIDANJE KOMPLETA BATERIJA” ovog priručnika.
	<ul style="list-style-type: none"> Papučica parkirne kočnice je postavljena u položaj kočenja. 	<ul style="list-style-type: none"> Potpuno pritisnite papučicu parkirne kočnice da je otpustite iz položaja parkirne kočnice.
	<ul style="list-style-type: none"> Indikator statusa traktorske kosilice ne svijetli zeleno. 	<ul style="list-style-type: none"> Pritisnite papučicu parkirne kočnice, a zatim je otpustite. Indikator statusa traktorske kosilice će svijetliti zeleno, što znači da je traktorska kosilica spremna za pokretanje.
	<ul style="list-style-type: none"> Rukovalac ne sjedi na sjedištu. 	<ul style="list-style-type: none"> Traktorskom kosilicom može se rukovati samo kada rukovalac propisno sjedi na sjedištu.
	<ul style="list-style-type: none"> Sigurnosni sistem zaključavanja sjedišta nije propisno priključen. 	<ul style="list-style-type: none"> Izvadite baterije iz traktorske kosilice i podignite stražnji dio sjedišta kako biste bili sigurni da je utikač kabela ispravno spojen na utičnicu na donjoj strani sjedišta (pogledajte odjeljak “POSTAVLJANJE SJEDIŠTA”). Pratite upute iz odjeljka “POKRETANJE TRAKTORSKE KOSILICE” da ponovo pokrenete traktorsku kosilicu i vidite može li se pokrenuti. Ako to nije slučaj, za popravak se obratite centru korisničke službe proizvođača EGO.
	<ul style="list-style-type: none"> U vrlo hladnim vremenskim uslovima funkcija vožnje možda se neće uspješno pokrenuti zbog zaštite od niske temperature. 	<ul style="list-style-type: none"> Traktorsku kosilicu i baterije uvijek skladištite u toplom okruženju. Traktorsku kosilicu ponovo pokrenite kada se zagrije. Izbjegavajte ponavljane pokušaje u vrlo hladnim vremenskim uslovima jer time možete oštetiti mašinu.
	<ul style="list-style-type: none"> Putanja kretanja papučice gasa je začepljena naslagama. 	<ul style="list-style-type: none"> Provjerite ima li naslaga i uklonite ih.
	<ul style="list-style-type: none"> Kvar mehaničkih ili elektroničkih komponenti papučice gasa. 	<ul style="list-style-type: none"> Za popravak se obratite centru korisničke službe proizvođača EGO.
	<ul style="list-style-type: none"> Upravljačka ručica za smjer je postavljena u neutralni položaj. 	<ul style="list-style-type: none"> Gurnite/povucite upravljačku ručicu za smjer u smjeru “D” ili “R”.

PROBLEM	UZROK	RJEŠENJE
Električna traktorska kosilica se zaustavlja.	<ul style="list-style-type: none"> Prilikom prebacivanja između smjera naprijed i nazad tokom vožnje, upravljačka ručica za smjer ostaje u neutralnom položaju duže vrijeme. 	<ul style="list-style-type: none"> Otpustite papučicu gasa, a zatim je ponovo pritisnite.
	<ul style="list-style-type: none"> Kvar elektroničkih komponenti papučice gasa. 	<ul style="list-style-type: none"> Za popravak se obratite centru korisničke službe proizvođača EGO.
	<ul style="list-style-type: none"> Sigurnosni sistem zaključavanja sjedišta odvojio se tokom vožnje po neravnom terenu. 	<ul style="list-style-type: none"> Izvadite baterije iz traktorske kosilice i podignite stražnji dio sjedišta kako biste bili sigurni da je utikač kabela ispravno spojen na utičnicu na donjoj strani sjedišta (pogledajte odjeljak "POSTAVLJANJE SJEDIŠTA"). Pratite upute iz odjeljka "POKRETANJE TRAKTORSKE KOSILICE" da ponovo pokrenete traktorsku kosilicu i vidite može li se pokrenuti. Ako to nije slučaj, za popravak se obratite centru korisničke službe proizvođača EGO.
	<ul style="list-style-type: none"> Tjelesna masa rukovaoca nije ravnomjerno raspoređena na sjedištu. Tjelesna masa rukovaoca na sjedištu mora biti najmanje 20 kg kako bi sigurnosni sistem zaključavanja sjedišta ispravno funkcionisao. 	<ol style="list-style-type: none"> Propisno sjedite na sjedište, potpuno pritisnite papučicu parkirne kočnice i otpustite je. Traktorska kosilica je nakon toga spremna za vožnju. Odvojite baterije i ponovo ih pričvrstite ako je potrebno.
	<ul style="list-style-type: none"> Papučica parkirne kočnice je dovoljno pritisnuta, ali nije u položaju parkiranja. Traktorska kosilica će se zaustaviti. 	<ul style="list-style-type: none"> Za ponovno pokretanje traktorske kosilice pratite upute u odjeljku "POKRETANJE TRAKTORSKE KOSILICE".
Električna traktorska kosilica ne pokreće noževe kada se aktivira PTO prekidač.  Ikona PTO prekidača treperi.	<ul style="list-style-type: none"> Ukupna vrijednost Ah ugrađenih baterija ne ispunjava zahtjev. 	<ul style="list-style-type: none"> Za pokretanje traktorske kosilice upotrebljavajte dovoljno EGO baterija prema uputstvima u odjeljku "POSTAVLJANJE/SKIDANJE KOMPLETA BATERIJA" ovog priručnika.
	<ul style="list-style-type: none"> PTO prekidač nije bio pritisnut prema dolje pri zadnjem isključivanju traktorske kosilice. 	<ul style="list-style-type: none"> Pritisnite PTO prekidač prema dolje i ponovo pokrenite motore noževa.
	<ul style="list-style-type: none"> Traktorska kosilica je preopterećena kada se noževi počnu okretati, što je rezultiralo aktivacijom funkcije samozaštite motora noža. 	<ul style="list-style-type: none"> Počnite kositi travu najprije s nižom brzinom noža i nemojte povećavati brzinu noža dok se noževi ne počnu uspješno okretati.
	<ul style="list-style-type: none"> U vrlo hladnim vremenskim uslovima motor noža možda se neće uspješno pokrenuti zbog zaštite od niske temperature. 	<ul style="list-style-type: none"> Traktorsku kosilicu i baterije uvijek skladištite u toplom okruženju. Traktorsku kosilicu ponovo pokrenite kada se zagrije. Izbjegavajte ponavljane pokušaje u vrlo hladnim vremenskim uslovima jer time možete oštetiti mašinu.
	<ul style="list-style-type: none"> Nož udara o deformisani trup traktorske kosilice. 	<ul style="list-style-type: none"> Za popravak se obratite centru korisničke službe proizvođača EGO.
	<ul style="list-style-type: none"> Sakupljač trave nije pravilno postavljen. 	<ul style="list-style-type: none"> Sakupljač trave postavite pravilno prema uputama u odjeljku "POSTAVLJANJE SAKUPLJAČA TRAVE" ovog priručnika.

PROBLEM	UZROK	RJEŠENJE
Noževi se prestaju okretati tokom košnje trave.	<ul style="list-style-type: none"> Traktorska kosilica je preopterećena. 	<ul style="list-style-type: none"> Povećajte visinu košnje trupa traktorske kosilice ili smanjite brzinu vožnje da smanjite opterećenje traktorske kosilice.
	<ul style="list-style-type: none"> Trup traktorske kosilice je začepljen travom i naslagama. 	<ul style="list-style-type: none"> Očistite trup traktorske kosilice i vodite računa da se noževi mogu slobodno kretati.
	<ul style="list-style-type: none"> Traktorska kosilica se pregrijava. 	<ul style="list-style-type: none"> Smanjite opterećenje traktorske kosilice povećanjem visine košnje trupa traktorske kosilice ili usporavanjem brzine noža/vožnje i pričekajte da se traktorska kosilica ohladi.
	<ul style="list-style-type: none"> Kompleti baterija u pretincu za baterije traktorske kosilice su pregrijadi, tako da ukupna vrijednost Ah svih ugrađenih baterija ne ispunjava zahtjev. 	<ol style="list-style-type: none"> Traktorska kosilica može nastaviti raditi ako ukupna vrijednost Ah baterije, isključujući pregrijanu bateriju, ispunjava zahtjev. Čim se pregrijana baterija vrati na normalnu temperaturu, odmah će napajati traktorsku kosilicu. Ako je ukupna vrijednost Ah baterije ne ispunjava vrijednost, traktorska kosilica neće raditi sve dok se dodatni kompleti baterija ne umetnu u prazne pretince za baterije. Smanjite opterećenje traktorske kosilice povećanjem visine košnje trupa traktorske kosilice ili usporavanjem brzine vožnje kada nastavljate s radom.
	<ul style="list-style-type: none"> Traktorska kosilica je u režimu rada bez košnje. 	<ul style="list-style-type: none"> Kada je traktorska kosilica u režimu rada bez košnje, noževi se automatski prebacuju na malu brzinu okretanja. Rukovalac bi trebao što je moguće prije da prestane raditi i da ode u područje za punjenje baterije.
	<ul style="list-style-type: none"> Traktorska kosilica je udarila o strani predmet, što je rezultiralo aktivacijom funkcije samozaštite motora. 	<ul style="list-style-type: none"> Pritisnite PTO prekidač prema dolje i ponovo pokrenite motore noževa.
	<ul style="list-style-type: none"> Traktorska kosilica se kreće unazad s ikonom ISKLJUČENA KOŠNJA UNAZAD koja svijetli na LCD ekranu. 	<ul style="list-style-type: none"> Pritisnite PTO prekidač i ponovo pokrenite motore noža prema uputama u odjeljku "Aktivacija režima rada KOŠNJA UNAZAD (ulazak)".
Zvučni indikator nastavlja se oglašavati.	<ul style="list-style-type: none"> Traktorska kosilica je u režimu rada bez košnje, a noževi nisu isključeni. 	<ul style="list-style-type: none"> Pritisnite PTO prekidač prema dolje da isključite motore noževa. Zvučni indikator više se ne oglašava kada se motori noževa isključe.
	<ul style="list-style-type: none"> Traktorska kosilica se zaustavlja na nagibu, a rukovalac napušta sjedište bez postavljanja papučice parkirne kočnice u položaj parkirne kočnice. 	<ul style="list-style-type: none"> Prije nego što traktorsku kosilicu ostavite na nagibu, postavite papučicu parkirne kočnice u položaj parkirne kočnice.
Indikator napajanja na kompletima baterija i dalje svijetle kada se traktorska kosilica isključi.	<ul style="list-style-type: none"> Ako se traktorska kosilica isključi na ravnom tlu, a da se iz nje ne izvade kompleti baterija, indikatori napajanja će i dalje svijetliti izvjesno vrijeme. 	<ul style="list-style-type: none"> Radnja nije potrebna. Indikatori baterije isključuju se kada se traktorska kosilica isključi nakon određenog vremena. Informacije o određenom vremenu potražite u odjeljku "ZAUSTAVLJANJE TRAKTORSKE KOSILICE".
	<ul style="list-style-type: none"> Ako se traktorska kosilica isključi na nagibu bez postavljanja parkirne kočnice, indikatori napajanja na kompletima baterija će i dalje svijetliti dok se baterija ne isprazni. Zvučni indikator istovremeno se nastavlja oglašavati. 	<ul style="list-style-type: none"> Prije nego što traktorsku kosilicu ostavite na nagibu, postavite papučicu parkirne kočnice u položaj parkirne kočnice. Traktorska kosilica u suprotnom može skliznuti niz nagib.

PROBLEM	UZROK	RJEŠENJE
LCD ekran ne svijetli sa svim uključenim ikonama.	<ul style="list-style-type: none"> ▪ Dugme za pokretanje/zaustavljanje nije pritisnuto dovoljno vremena. 	<ol style="list-style-type: none"> 1. Na LCD ekranu prikazuje se "indikator napunjenosti" samo kada se kratko pritisne dugme za pokretanje/zaustavljanje. 2. LCD ekran se uključuje kada se istovremeno potpuno pritisne papučica parkirne kočnice i dugme za pokretanje/zaustavljanje.
	<ul style="list-style-type: none"> ▪ Ako na LDC ekranu treperi ikona sigurnosnog ključa "⚡", sigurnosni ključ nije umetnut. 	<ul style="list-style-type: none"> ▪ Umetnite sigurnosni ključ, a zatim potpuno pritisnite papučicu parkirne kočnice i istovremeno pritisnite dugme za pokretanje/zaustavljanje dovoljno dugo da uključite LCD ekran.
	<ul style="list-style-type: none"> ▪ Ako na LCD ekranu treperi ikona parkirne kočnice "Ⓟ", papučica parkirne kočnice nije do kraja pritisnuta. 	<ul style="list-style-type: none"> ▪ Umetnite sigurnosni ključ, a zatim potpuno pritisnite papučicu parkirne kočnice i istovremeno pritisnite dugme za pokretanje/zaustavljanje dovoljno dugo da uključite LCD ekran.
Traktorska kosilica kosi neravnomjerno, sa značajnom razlikom u visini s prednje strane prema stražnjoj strani.	<ul style="list-style-type: none"> ▪ Noževi su tupi. 	<ul style="list-style-type: none"> ▪ Rezne noževe naoštrite ili zamijenite kako je navedeno u ovom priručniku.
	<ul style="list-style-type: none"> ▪ Noževi su savijeni. 	<ul style="list-style-type: none"> ▪ Savijene rezne noževe zamijenite prema uputama u odjeljku "Zamjena reznih noževa".
	<ul style="list-style-type: none"> ▪ Trup traktorske kosilice nije nivelisan, što rezultira različitim visinama reznih noževa. 	<ul style="list-style-type: none"> ▪ Trup traktorske kosilice izbalansirajte prema uputama u odjeljku "Nivelisanje trupa traktorske kosilice".
Stvarna visina košnje trave ne odgovara navedenoj visini.	<ul style="list-style-type: none"> ▪ Matice trupa traktorske kosilice na spojnom elementu sistema amortizacije su otpuštene. 	<ul style="list-style-type: none"> ▪ Za pravilno podešavanje prednje strane prema stražnjoj strani za trup traktorske kosilice i dobro pritezanje matica na spojnom elementu sistema amortizacije pratite upute u odjeljku "Nivelisanje trupa traktorske kosilice".
	<ul style="list-style-type: none"> ▪ Trup traktorske kosilice je oštećen ili veoma istrošen. 	<ul style="list-style-type: none"> ▪ Za zamjenu trupa traktorske kosilice pratite upute u odjeljku "Uklanjanje trupa traktorske kosilice".
Traktorska kosilica ne malčira pravilno.	<ul style="list-style-type: none"> ▪ Mokri komadići trave lijepe se za donju stranu trupa. 	<ul style="list-style-type: none"> ▪ Prije košnje pričekajte da se trava posuši.
	<ul style="list-style-type: none"> ▪ Traktorska kosilica je postavljena za košnju prevelike količine trave odjednom. 	<ul style="list-style-type: none"> ▪ Povećajte visinu košnje trupa kosilice.
Prevelika vibracija.	<ul style="list-style-type: none"> ▪ Rezni noževi su otpušteni. 	<ul style="list-style-type: none"> ▪ Pritegnite osovinicu noža preporučenim momentom pritezanja.
	<ul style="list-style-type: none"> ▪ Noževi su savijeni. 	<ul style="list-style-type: none"> ▪ Savijene rezne noževe zamijenite prema uputama u odjeljku "Zamjena reznih noževa".
	<ul style="list-style-type: none"> ▪ Trup traktorske kosilice nije iznivelisan. 	<ul style="list-style-type: none"> ▪ Nivelisanje trupa traktorske kosilice obavite prema uputama u odjeljku "Nivelisanje trupa traktorske kosilice".
	<ul style="list-style-type: none"> ▪ Matice trupa traktorske kosilice na spojnom elementu sistema amortizacije su otpuštene. 	<ul style="list-style-type: none"> ▪ Pritegnite matice na spojnom elementu sistema amortizacije.
	<ul style="list-style-type: none"> ▪ Trup traktorske kosilice je postavljen za košnju prevelike količine trave odjednom. 	<ul style="list-style-type: none"> ▪ Povećajte visinu košnje trupa kosilice.

PROBLEM	UZROK	RJEŠENJE
Nakon košnje na tlu ima trave ili naslaga.	<ul style="list-style-type: none"> Trup traktorske kosilice je postavljen za košnju prevelike količine trave odjednom kad je trava visoka. 	<ul style="list-style-type: none"> Počnite s velikom visinom košnje i smanjujte je dok se ne postigne željeni rezultat košnje. Travu visoku više od 152 mm potrebno je kositi dva puta, s uzastopno nižim visinama košnje.
	<ul style="list-style-type: none"> Trava je mokra. 	<ul style="list-style-type: none"> Nemojte kositi kada je trava mokra. Pričekajte da se trava posuši.
	<ul style="list-style-type: none"> Brzina vožnje je visoka. 	<ul style="list-style-type: none"> Smanjite brzinu vožnje.
	<ul style="list-style-type: none"> Brzina noža je niska. 	<ul style="list-style-type: none"> Postepeno povećavajte brzinu noža.
Kratko vrijeme rada traktorske kosilice s isporučenim baterijama.	<ul style="list-style-type: none"> Teren travnjaka, stanje trave, postavka visine rezanja, brzina vožnje, brzina noža, itd. imaju veliki utjecaj na vrijeme rada. 	<ul style="list-style-type: none"> Povećajte visinu košnje trupa kosilice i smanjite brzinu noža da smanjite opterećenje pri košnji.
Traktorska kosilica se ne kreće ravno.	<ul style="list-style-type: none"> Pritisak u gumama za lijeve i desne točkove je različit. 	<ul style="list-style-type: none"> Provjerite pritisak zraka u gumama prednjih i stražnjih točkova i podesite ga prema preporuci u odjeljku "TEHNIČKI PODACI" ovog priručnika.
Papučica parkirne kočnice ne može se otpustiti iz položaja parkirne kočnice ili se sporo vraća.	<ul style="list-style-type: none"> Putanja kretanja papučice parkirne kočnice je začepljena naslagama. 	<ul style="list-style-type: none"> Provjerite ima li naslaga i uklonite ih.
Traktorska kosilica se ne može puniti pomoću priključka za punjenje kada indikator statusa traktorske kosilice svijetli crveno.	<ul style="list-style-type: none"> Utikač punjača nije pravilno umetnut u priključak za punjenje na traktorskoj kosilici. 	<ul style="list-style-type: none"> Ponovo spojite utikač punjača da vidite može li se traktorska kosilica normalno puniti.
	<ul style="list-style-type: none"> U zidnim utičnicama nema struje. 	<ul style="list-style-type: none"> Radnja nije potrebna. Pričekajte da se napajanje povraća.
	<ul style="list-style-type: none"> Punjač je neispravan. 	<ul style="list-style-type: none"> Obratite se centru korisničke službe proizvođača EGO i pregled i/ili prema potrebi popravak punjača prepustite kvalifikovanom servisnom tehničaru.
	<ul style="list-style-type: none"> Priključak za punjenje na traktorskoj kosilici je neispravan. 	<ul style="list-style-type: none"> Za popravak se obratite centru korisničke službe proizvođača EGO.
Vrijeme punjenja putem priključka za punjenje traktorske kosilice je predugo.	<ul style="list-style-type: none"> Punjenje s EGO adapterom ACA1000 traje predugo. 	<ul style="list-style-type: none"> Za direktno punjenje električne traktorske kosilice upotrebljavajte EGO punjač CHV1600E.
Baterije se ne mogu potpuno napuniti putem priključka za punjenje traktorske kosilice.	<ul style="list-style-type: none"> Greška firmvera traktorske kosilice ili kvar kompleta baterija ili punjača. 	<ul style="list-style-type: none"> Resetujte punjač izvlačenjem utikača iz strujnog napajanja i pričekajte nekoliko minuta. Utikač zatim ponovo utaknite u strujnu utičnicu. Ako se problem ne riješi, obratite se centru korisničke službe proizvođača EGO.
Traktorsku kosilicu nije moguće pokrenuti nakon čišćenja.	<ul style="list-style-type: none"> Nepropisno čišćenje, poput vode prolivene po električnim komponentama, LCD ekranu, itd. 	<ol style="list-style-type: none"> Za pravilno čišćenje traktorske kosilice pratite upute u odjeljku "OSNOVNO ODRŽAVANJE". Ako traktorska kosilica slučajno pokisne, pričekajte da se osuši ili je osušite komprimiranim zrakom.
Trup traktorske kosilice brzo se začepli.	<ul style="list-style-type: none"> Trup traktorske kosilice nije propisno očišćen nakon prethodne upotrebe. 	<ul style="list-style-type: none"> Trup traktorske kosilice očistite nakon svake upotrebe prema uputama u odjeljku "Upotreba priključka za pranje za čišćenje trupa traktorske kosilice".
Traktorska kosilica lako gubi vuču pri vožnji uz nagib.	<ul style="list-style-type: none"> Gume na stražnjim točkovima su istrošene. 	<ul style="list-style-type: none"> Za zamjenu guma točka obratite se lokalnoj servisnoj službi.
	<ul style="list-style-type: none"> Košnja na strmom nagibu. 	<ul style="list-style-type: none"> Traktorska kosilica se ne smije upotrebljavati za košenje nagiba većih navedenih stepeni.

PROBLEM	UZROK	RJEŠENJE
Ako se zaustavi na nagibu s pritisnutom papučicom parkirne kočnice, traktorska kosilica može se otkotrljati niz nagib.	<ul style="list-style-type: none"> ▪ Komponente kočnice su previše istrošene zbog nepravilnog rukovanja traktorskom kosilicom. 	<ul style="list-style-type: none"> ▪ Za popravak se obratite centru korisničke službe proizvođača EGO.
Prilikom pranja trupa kosilice voda ne izlazi iz priključka za pranje.	<ul style="list-style-type: none"> ▪ Brza spojnica priključka za pranje nije propisno postavljena na priključak za pranje. 	<ul style="list-style-type: none"> ▪ Ponovo pričvrstite brzu spojnicu priključka za pranje tako da osjetite jasno klikanje nakon jakog pritiska. Ako time ne otklonite problem, obratite se centru korisničke službe proizvođača EGO.
Kada se traktorska kosilica ručno gurne bez pokretanja, čuje se neobičan zvuk.	<ul style="list-style-type: none"> ▪ Zvuk dolazi od magneta u pogonskom motoru. 	<ul style="list-style-type: none"> ▪ To je uobičajena pojava i nije potrebna nikakva radnja.
Upravljač se ne može okretati.	<ul style="list-style-type: none"> ▪ Sklop upravljača je začepljen naslagama. 	<ul style="list-style-type: none"> ▪ Provjerite ima li naslaga i uklonite ih.
Traktorska kosilica se ne okreće lijevo/desno kada se okreće upravljač.	<ul style="list-style-type: none"> ▪ Kvar elektronskih ili mehaničkih komponenti. 	<ul style="list-style-type: none"> ▪ Za popravak se obratite centru korisničke službe proizvođača EGO.
Traktorska kosilica se ne zaustavlja kada se otpusti papučica gasa.	<ul style="list-style-type: none"> ▪ Povratna putanja papučice gasa je začepljena naslagama. 	<ul style="list-style-type: none"> ▪ Provjerite ima li naslaga i uklonite ih.
	<ul style="list-style-type: none"> ▪ Dugme CCS slučajno je pritisnuto tokom vožnje. Traktorska kosilica je u režimu rada tempomata. 	<ul style="list-style-type: none"> ▪ Provjerite svijetli li ikona CCS na LCD ekranu i izađite iz režima rada CCS ako je potrebno. Pogledajte odjeljak "UPOTREBA TEMPOMATA (CCS)".
Funkcija CCS ne može se aktivirati ili isključiti.	<ul style="list-style-type: none"> ▪ Dugme CCS nije pravilno pritisnuto. 	<ul style="list-style-type: none"> ▪ Pritišćite dugme CCS dok ikona CCS ne zasvijetli ili ne nestane s LCD ekrana.
Prednji točkovi traktorske kosilice okreću se uz neuobičajenu buku.	<ul style="list-style-type: none"> ▪ Potrebno je podmazati rukavce osovine prednjih točkova. 	<ul style="list-style-type: none"> ▪ Izvadite kompletne baterije, a zatim priključke za ubrizgavanje puniti mašću dok mast ne pređe preko gornjeg ili donjeg ruba rukavaca osovine prednjih točkova.

REFERENCA ZA STATUS TRAKTORSKE KOSILICE

LCD ekran	Opis	Indikator statusa traktorske kosilice	Zvučni indikator	Uzrok	Rješenje
	Ikona indikatora napunjenosti	ISKLJUČENO	Ne	Prikazuje prosječni kapacitet punjenja ugrađenih baterija.	Ovo je uobičajeni rad. Radnja nije potrebna.
	Ikona brojača sati	ISKLJUČENO	Ne	Prikazuje ukupno vrijeme vožnje traktorske kosilice u satima i ne može se resetovati.	Ovo je uobičajeni rad. Radnja nije potrebna.
	Ikona indikatora opterećenja	ISKLJUČENO	Ne	Prikazuje trenutno opterećenje traktorske kosilice.	Ovo je uobičajeni rad. Radnja nije potrebna.
	Na LCD ekranu svijetli ikona LED svjetala.	ISKLJUČENO	Ne	Prednja svjetla uključuju se pomoću prekidača za LED svjetla.	Ovo je uobičajeni rad. Radnja nije potrebna.
	Na LCD ekranu svijetli Bluetooth ikona.	ISKLJUČENO	Ne	Traktorska kosilica je povezana s mobilnim uređajem putem funkcije Bluetooth.	Ovo je uobičajeni rad. Radnja nije potrebna.
	Na LCD ekranu svijetli ikona ISKLJUČENA KOŠNJA UNAZAD.	ISKLJUČENO	Ne	To znači da se noževi ne mogu uključiti kada se traktorska kosilica kreće unazad.	Ovo je uobičajeni rad. Ako je potrebno, uključite noževe tokom vožnje unazad prema uputama u odjeljku “UKLJUČIVANJE NOŽEVA TOKOM VOŽNJE UNAZAD” ovog priručnika.
	Na LCD ekranu svijetli ikona vožnje.	ISKLJUČENO	Ne	To znači da se traktorska kosilica može voziti ili da vozi prema naprijed.	Ovo je uobičajeni rad. Upravljačku ručicu za smjer stavite u položaj “D”, neutralni položaj ili položaj “R” u skladu s potrebom.
	Na LCD ekranu svijetli ikona vožnje unazad.	ISKLJUČENO	Ne	To znači da se traktorska kosilica može voziti ili da vozi unazad.	
	Ikona vožnje i ikona vožnje unazad naizmjenično trepere.	ISKLJUČENO	Ne	To znači da se traktorska kosilica ne može voziti.	
	Ikona sigurnosnog ključa svijetli.	ISKLJUČENO	Ne	Sigurnosni ključ je pravilno umetnut.	Ovo je uobičajeni rad. Radnja nije potrebna.
	Ikona sigurnosnog ključa treperi kada se na LCD ekranu prikaže “indikator napunjenosti”.	ISKLJUČENO	Ne	Sigurnosni ključ nije umetnut.	Umetnite sigurnosni ključ, a zatim do kraja pritisnite papučicu parkirne kočnice i istovremeno pritisnite dugme za POKRETANJE/ZAUSTAVLJANJE i držite ga pritisnutim duže od 3 sekunde da uključite traktorsku kosilicu.
				Sklop upravljačke ploče s tipkama je neispravan.	Za popravak se obratite centru korisničke službe proizvođača EGO.

LCD ekran	Opis	Indikator statusa traktorske kosilice	Zvučni indikator	Uzrok	Rješenje
	Ikona parkirne kočnice treperi kada se na LCD ekranu prikaže "indikator napunjenosti".	ISKLUČENO	Ne	Papučica parkirne kočnice nije pritisnuta.	S umetnutim sigurnosnim ključem do kraja pritisnite papučicu parkirne kočnice i istovremeno pritisnite dugme za POKRETANJE/ZAUSTAVLJANJE i držite ga pritisnutim duže od 3 sekunde da uključite traktorsku kosilicu.
	Ikona parkirne kočnice treperi kada se na LCD ekranu prikaže sučelje rukovaoca.	ISKLUČENO	Ne	Pritisnite papučicu gasa prije pritiska na papučicu parkirne kočnice da indikator traktorske kosilice zasvijetli zeleno.	Propisno pokrenite traktorsku kosilicu prema uputama u odjeljku "POKRETANJE TRAKTORSKE KOSILICE".
	Ikona parkirne kočnice svijetli.	ISKLUČENO	Ne	Papučica parkirne kočnice je postavljena u položaj parkirne kočnice.	Otpustite je prije pokretanja traktorske kosilice.
	Ikona senzora sjedišta svijetli.	ISKLUČENO	Ne	Rukovalac napušta sjedište ili sigurnosni sistem zaključavanja sjedišta je odvojen.	Ako se ikona uključi kada rukovalac sjedi na sjedištu, odmah obustavite rad s traktorskom kosilicom i provjerite priključak sjedišta. Ako je priključak sjedišta s traktorskom kosilicom potvrđen kao ispravan, obratite se kvalifikovanom servisnom tehničaru radi popravka.
	Ikona PTO prekidača treperi.	ISKLUČENO	Ne	Došlo je do prekida rada motora noža, a PTO prekidač nije postavljen u položaj isključivanja.	Prije ponovnog pokretanja traktorske kosilice, pritisnite PTO prekidač prema dolje da isključite motore noževa. Više informacija potražite u odjeljku "RJEŠAVANJE PROBLEMA" u ovom priručniku.
	Ikona određenog pretinca za baterije treperi.	ISKLUČENO	Ne	Određena baterija radi pod prekomjernom strujom tokom pražnjenja.	Radnja nije potrebna. Traktorska kosilica može nastaviti raditi ako je ukupna vrijednost Ah baterije, isključujući pregrijane baterije, 15 Ah ili više. Čim se pregrijana baterija vrati u normalno stanje, odmah će nastaviti napajati traktorsku kosilicu i ikona će nestati.
	Ikona praznog pretinca za baterije treperi.	ISKLUČENO	Ne	Kapacitet baterije nije dovoljan da se omogući rad traktorske kosilice.	Za pokretanje traktorske kosilice upotrebljavajte dovoljno EGO baterija prema uputstvima u odjeljku "POSTAVLJANJE/SKIDANJE KOMPLETA BATERIJA" ovog priručnika.

LCD ekran	Opis	Indikator statusa traktorske kosilice	Zvučni indikator	Uzrok	Rješenje
	Ikona temperature i tačno zauzeti pretinac za bateriju istovremeno trepere.	ISKLJUČENO	Ne	Komplet baterija u pretincu za baterije s odgovarajućim brojem se pregrijava.	<ol style="list-style-type: none"> Traktorska kosilica može nastaviti raditi ako ukupna vrijednost Ah baterije, isključujući pregrijanu bateriju, ispunjava zahtjev. Čim se pregrijana baterija vrati na normalnu temperaturu, odmah će napajati traktorsku kosilicu. Ako je ukupna vrijednost Ah baterije ne ispunjava vrijednost, traktorska kosilica neće raditi sve dok se dodatni kompleti baterija ne umetnu u prazne pretince za baterije. Smanjite opterećenje traktorske kosilice povećanjem visine košnje trupa traktorske kosilice ili usporavanjem brzine vožnje kada nastavljate s radom.
	Ikona temperature treperi.	ISKLJUČENO	Jedan zvučni signal	<p>Traktorska kosilica se pregrijava.</p> <p>Traktorska kosilica je previše hladna.</p>	<p>Smanjite opterećenje traktorske kosilice povećanjem visine košnje trupa traktorske kosilice ili usporavanjem brzine noža/vožnje. Napravite pauzu i pričekajte da se traktorska kosilica ohladi.</p> <p>Izbjegavajte ponavljane pokušaje jer time možete oštetiti mašinu. Traktorsku kosilicu i baterije uvijek skladištite u toplom okruženju. Traktorsku kosilicu ponovo pokrenite kada se zagrije.</p>
	Ikona upozorenja treperi.	Treperi crveno.	Jedan zvučni signal	<p>Motor noža je preopterećen.</p> <p>Bočni izlazni otvor je začepljen travom i naslagama.</p> <p>Postoji smetnja između noža i trupa traktorske kosilice.</p>	<p>Povećajte visinu košnje trupa traktorske kosilice ili smanjite brzinu vožnje da smanjite opterećenje traktorske kosilice.</p> <p>Očistite bočni izlazni otvor nakon svake upotrebe.</p> <p>Obratite se centru korisničke službe proizvođača EGO.</p>
	Ikone za svaki zauzeti pretinac za baterije i ikona upozorenja istovremeno trepere svake na LCD ekranu svake sekunde.	Treperi crveno.	Zvučni signal oglašava se do pritiska na PTO prekidač.	Nivo napunjenosti kompleta baterija je nizak i traktorska kosilica je u režimu rada bez košnje.	<p>Prestanite raditi i vratite se u područje za punjenje baterije.</p> <p>NAPOMENA! Kada je traktorska kosilica u režimu rada bez košnje, noževi se automatski prebacuju na malu brzinu okretanja, a u međuvremenu će se nastaviti oglašavati zvučni indikator. Rukovalac treba pritisnuti PTO prekidač prema dolje da isključi motore noževa. Zvučni indikator prestaje se oglašavati nakon zaustavljanja noža.</p>

LCD ekran	Opis	Indikator statusa traktorske kosilice	Zvučni indikator	Uzrok	Rješenje
	Ikona za svaki zauzeti pretinac za bateriju i ikona upozorenja trepere svakih pola sekunde.	Treperi crveno.	Zvučni signal i dalje se oglašava.	Došlo je do prekida rada motora noža, a PTO prekidač nije postavljen u položaj isključivanja.	Traktorska kosilica će odmah prestati raditi. Rukovalac traktorsku kosilicu treba transportovati do područja za punjenje baterije radi punjenja.
	Na LCD ekranu svijetli ikona CCS.	Svijetli zeleno.	Ne	Traktorska kosilica nastavlja se kretati naprijed pri zadanoj brzini bez potrebe za pritiskom na papučicu gasa.	Ovo je uobičajeni rad. Ako je potrebno, isključite funkciju CCS prema uputama u odjeljku "Zaustavljanje tempomata (CCS) (izlazak)" ovog priručnika.
	Na LCD ekranu treperi ikona CCS.	ISKLJUČENO	Ne	Funkcija CCS (sistem tempomata) ne radi. Parkirna kočnica je pritisnuta za zaustavljanje traktorske kosilice.	Funkcija CCS nije se mogla postaviti kada se traktorska kosilica kreće vrlo malom brzinom ili unazad. Nakon otpuštanja papučice parkirne kočnice pritisnite dugme CCS i na LCD ekranu će zasvijetliti ikona CCS ili izađite iz funkcije CCS prema uputama u odjeljku "Zaustavljanje tempomata (CCS) (izlazak)".
	Na LCD ekranu svijetli ikona sakupljača.	Nije primjenjivo.	Ne	To znači da sakupljač trave nije postavljen na traktorsku kosilicu ili nije propisno postavljen.	Sakupljač trave propisno postavite na traktorsku kosilicu.
	Na LCD ekranu svijetli ikona punog sakupljača trave.	Nije primjenjivo.	Ne	To znači da je sakupljač trave pun.	Ispraznite sakupljač trave i ponovo ga propisno postavite.
Nije primjenjivo.	Nije primjenjivo.	ISKLJUČENO	Zvučni signal i dalje se oglašava.	Traktorska kosilica je parkirana na nagibu, a rukovalac napušta traktorsku kosilicu bez postavljanja papučice parkirne kočnice u položaj parkirne kočnice.	Papučicu parkirne kočnice postavite u položaj parkirne kočnice. Ikona parkirne kočnice će zasvijetliti, a zvučni indikator će se prestati oglašavati.
ISKLJUČENO	Kvar priključka za punjenje	Svijetli CRVENO.	Nije primjenjivo.	Nema strujnog napajanja.	Provjerite je li napajanje zidne utičnice od 220 V - 240 V ili je li utičnica u dobrom stanju.
		Svijetli CRVENO.	Nije primjenjivo.	Elektroničke greške, kao što su priključak za punjenje je u otvorenom krugu, osigurač je pregorio i sl.	Za popravak se obratite centru korisničke službe proizvođača EGO.

REFERENCA ZA KODOVE GREŠKE

Opis	Kod greške na LCD ekranu	Zvučni indikator	Rješenje
Lijevi motor noža se ne okreće.	509	Jedan zvučni signal	Najprije pregledajte nož. U slučaju otpuštanja pritegnite osovinicu preporučenim momentom pritezanja. U suprotnom, obratite se centru korisničke službe proizvođača EGO za popravak.
Desni motor noža se ne okreće.	609	Jedan zvučni signal	

NAPOMENA! Ako se na LCD ekranu pojave drugi kodovi greške koji označavaju grešku PCBA, otpušteni priključak, kvar pogonskog motora, motora noža i sl., izvadite sve kompletne baterije i ponovo ih umetnite nekoliko minuta kasnije da pokrenete traktorsku kosilicu. Ako s time ne riješite problem, zabilježite kod greške i za popravak se obratite centru korisničke službe proizvođača EGO.

GARANCIJA

POLITIKA GARANCIJE PROIZVOĐAČA EGO

Za sve odredbe i uslove politike garancije proizvođača EGO posjetite internetsku stranicu egopowerplus.eu.







شاشة LCD	الوصف	مؤشر حالة الجرار	مؤشر الصوت	السبب	الحل
غير متاح	غير متاح	مطفأ	تنبيه صوتي متواصل	تم إيقاف الجرار على المنحدر ونزل مشغل الآلة عن الجرار من دون ضبط دواسة فرملة الوقوف على وضع فرملة الوقوف. ستضيء أيقونة فرملة الوقوف ويتوقف مؤشر التنبيه الصوتي عن إطلاق التنبيه.	اضبط دواسة فرملة الوقوف على وضع فرملة الوقوف. ستضيء أيقونة فرملة الوقوف ويتوقف مؤشر التنبيه الصوتي عن إطلاق التنبيه.
مطفأ	عطل في منفذ الشحن	أحمر ثابت	غير متاح	لا يوجد اتصال بالتيار.	تحقق مما إذا كان مقبس الحائط به تيار 240-220 فولت أو أن المقبس في حالة جيدة.
		أحمر ثابت	غير متاح	الأعطال الإلكترونية، مثل توصيل منفذ الشحن بدائرة كهربائية مفتوحة، أو انصهار أحد المصاهر، وما إلى ذلك.	تواصل مع مركز خدمة العملاء بشركة EGO لإصلاح العيب.

مرجع كود الأعطال

الوصف	كود العطل على شاشة LCD	مؤشر الصوت	الحل
محرك الشفرة الأيسر لا يمكنه الدوران.	509	تنبيه صوتي واحد	افحص الشفرة أولاً. إذا كانت مفكوكة، اربط المسمار بالعزم الموصى به. وإلا، يُرجى التواصل مع مركز خدمة العملاء بشركة EGO طلباً للإصلاح.
محرك الشفرة الأيمن لا يمكنه الدوران	609	تنبيه صوتي واحد	

تنبيه: بالنسبة لأي أكواد أعطال أخرى تظهر على شاشة LCD، والتي تشير إلى خلل في لوحة الدائرة الكهربائية (PCBA)، أو وصلة مفكوكة، أو عطل في محرك الدفع، أو محركات الشفرة، وما إلى ذلك؛ يُرجى خلع جميع مجموعات البطارية وإعادة إدخالها في مكانها مرة أخرى بعد عدة دقائق لإعادة تشغيل الجرار. إن لم يقم ذلك بحل المشكلة، يُرجى تسجيل كود العطل والتواصل مع قسم خدمة العملاء بشركة EGO لإصلاح المشكلة.

الضمان

سياسة ضمان EGO

تفضل بزيارة الموقع الإلكتروني egopowerplus.eu للتعرف على الشروط والأحكام الكاملة الخاصة بسياسة ضمان EGO.

شاشة LCD	الوصف	مؤشر حالة الجرار	مؤشر الصوت	السبب	الحل
	أيقونة التنبيه تومض	يومض باللون الأحمر	تنبيه صوتي واحد	هناك حمل زائد على محرك الشفرة.	ارفع ارتفاع جز الأرضية أو اخفض سرعة الحركة للحد من التحميل على الجرار.
				هناك عشب و عوالق تعيق أنبوب التفريغ الجانبي.	قم بتنظيف أنبوب التفريغ الجانبي بعد كل استخدام.
				يوجد تداخل بين الشفرة وأرضية الجرار.	اتصل بمركز خدمة العملاء بشركة EGO
 	تومض أيقونات كل حجيرة بطارية مشغولة، وأيقونة التنبيه كل ثانية في الوقت نفسه على شاشة LCD.	يومض باللون الأحمر	تنبيه صوتي متواصل إلى أن يتم الضغط على مفتاح تعشيق طاقة المحرك (PTO) لأسفل.	الشحن منخفض في مجموعات البطارية، والجرار في وضع التشغيل الطارئ.	توقف عن العمل وعد إلى مكان لشحن البطارية. ملاحظة: عندما يكون الجرار في وضع التشغيل الطارئ، يتم نقل الشفرات تلقائيًا إلى وضع سرعة الدوران المنخفضة، وفي هذه الأثناء سيستمر مؤشر التنبيه الصوتي في إطلاق التنبيه. يجب على مشغل الآلة أن يضغط على مفتاح تعشيق طاقة المحرك (PTO) لأسفل لإيقاف تشغيل محركات الشفرة. سيتوقف المؤشر الصوتي عن إطلاق التنبيه بعد توقف الشفرات.
				حدث اعتراض لتشغيل محرك الشفرة ولم يتم ضبط مفتاح تعشيق طاقة المحرك (PTO) على وضع الإيقاف.	سوف يتوقف الجرار عن العمل على الفور. يجب على مشغل الآلة نقل الجرار إلى مكان شحن البطارية لشحنه.
 	تومض أيقونة كل حجيرة بطارية مشغولة، كما تومض أيقونة التنبيه كل نصف ثانية.	يومض باللون الأحمر	تنبيه صوتي متواصل	هذا من إجراءات التشغيل العادية. إذا لزم الأمر، قم بإيقاف تشغيل وظيفة وضع مثبت السرعة CCS وفقًا للتعليمات الواردة القسم "الإيقاف (الخروج من) مثبت السرعة (CCS)" في الدليل.	لا يمكن ضبط وظيفة مثبت السرعة CCS أثناء حركة الجرار بسرعة منخفضة جدًا أو عند حركته إلى الخلف.
				أيقونة وضع مثبت السرعة CCS مضاءة في شاشة LCD	أخضر ثابت
	أيقونة وضع مثبت السرعة CCS تومض في شاشة LCD.	مطفأ	لا	خلل في وظيفة نظام مثبت السرعة (CCS).	بعد تحرير دواسة فرملة الوقوف، اضغط على زر مثبت السرعة (CCS)، فتضيء أيقونة مثبت السرعة CCS على شاشة LCD، أو يمكن الخروج من وظيفة مثبت السرعة (CCS) باتباع التعليمات الواردة في القسم "الإيقاف (الخروج من) مثبت السرعة (CCS)"
				أيقونة عدم وجود حقيبة عشب مضاءة في شاشة LCD	غير متاح
 	أيقونة امتلاء حقيبة العشب تومض في شاشة LCD	غير متاح	لا	يشير إلى امتلاء معبئ حقيبة العشب.	قم بإفراغ معبئ حقيبة العشب وإعادة تركيبه بشكل صحيح.
				أيقونة عدم وجود حقيبة عشب مضاءة في شاشة LCD	غير متاح

شاشة LCD	الوصف	مؤشر حالة الجرار	مؤشر الصوت	السبب	الحل
	أيقونة مستشعر المقعد مضاءة	مطفأ	لا	يغادر المشغل مقعده أو يتم فصل نظام قفل أمان المقعد.	إذا كان مشغل الآلة جالساً على المقعد والأيقونة مضاءة، أوقف الجرار عن التشغيل على الفور وافحص وصلة المقعد. إذا تأكدت من أن وصلة المقعد بالجرار صحيحة، يُرجى التواصل مع فني صيانة متخصص لإصلاحها.
	أيقونة مفتاح تعشيق طاقة المحرك (PTO) تومض	مطفأ	لا	حدث اعتراض لتشغيل محرك الشفرة ولم يتم ضبط مفتاح تعشيق طاقة المحرك (PTO) على وضع الإيقاف.	قبل إعادة تشغيل الجرار، اضغط على مفتاح تعشيق طاقة المحرك (PTO) إلى أسفل لإيقاف تشغيل محركات الشفرة. يُرجى مراجعة قسم "استكشاف الأعطال وإصلاحها" من هذا الدليل للتعرف على المعلومات.
	أيقونة حجيرة بطارية معينة تومض.	مطفأ	لا	هناك تيار زائد في بطارية معينة أثناء التفريغ.	لست في حاجة إلى اتخاذ أي إجراءات. يمكن للجرار أن يواصل العمل إذا كان إجمالي التيار (أمبير-ساعة) للبطاريات، باستثناء البطارية التي بها تيار زائد عن الحد، أكثر من أو يساوي 15 أمبير-ساعة. بمجرد عودة البطارية ذات التيار الزائد إلى الوضع الطبيعي، ستشارك تلك البطارية في تشغيل الجرار على الفور وستختفي الأيقونة.
	أيقونة حجيرة البطارية الفارغة تومض	مطفأ	لا	سعة البطارية غير كافية للسماح بتشغيل الجرار.	لبدء تشغيل هذا الجرار، استخدم ما يكفي من بطاريات EGO باتتبع الإرشادات الواردة في قسم "تركيب/خلع مجموعة البطارية" من هذا الدليل.
	أيقونة درجة الحرارة وحجيرة البطارية المشغولة بالفعل تومضان في نفس الوقت.	مطفأ	لا	مجموعة البطارية في حجيرة البطارية ذات الرقم المعني ساخنة بشكل زائد.	1. يمكن للجرار أن يواصل العمل إذا كان إجمالي التيار (أمبير-ساعة) للبطاريات، باستثناء البطارية الساخنة بشكل زائد عن الحد، متوافق مع المتطلبات. ما أن تعود درجة حرارة البطارية الساخنة بشكل زائد إلى درجة الحرارة الطبيعية، ستعود للمساهمة في توفير الطاقة للجرار على الفور. 2. إذا كان إجمالي التيار (أمبير-ساعة) للبطاريات المركبة غير متوافق مع المتطلبات، لن يعمل الجرار إلا بعد تركيب مجموعات بطارية في حجيرات البطارية الفارغة. 3. قلل الحمل على الجرار عن طريق زيادة ارتفاع جز الأرضية أو إبطاء سرعة الحركة عند متابعة التشغيل.
	أيقونة درجة الحرارة تومض.	مطفأ	تنبيه صوتي واحد	الجرار ساخن بشكل زائد.	قلل الحمل على الجرار عن طريق زيادة ارتفاع جز الأرضية أو إبطاء سرعة الشفرة/الحركة. نل قسماً من الراحة واترك الجرار يبرد.
	أيقونة درجة الحرارة تومض.	مطفأ	تنبيه صوتي واحد	الجرار بارد للغاية.	يُرجى عدم تكرار المحاولات، فذلك قد يتسبب في تلف الآلة. احرص دائماً على تخزين الجرار والبطاريات في بيئة دافئة. أعد تشغيل الجرار بعد أن يذفاً.

مرجع حالة الجرار

شاشة LCD	الوصف	مؤشر حالة الجرار	مؤشر الصوت	السبب	الحل
100%	أيقونة مقياس الوقود	مطفأ	لا	يشير إلى متوسط سعة الشحن الخاصة بالبطاريات المركبة	هذا من إجراءات التشغيل العادية. لست في حاجة إلى اتخاذ أي إجراءات.
8888 H	أيقونة عداد ساعات العمل	مطفأ	لا	يعرض إجمالي وقت قيادة الجرار بالساعات، ولا يمكن إعادة تعيينه.	هذا من إجراءات التشغيل العادية. لست في حاجة إلى اتخاذ أي إجراءات.
	أيقونة مؤشر الحمل	مطفأ	لا	يشير إلى حمل تيار الجرار.	هذا من إجراءات التشغيل العادية. لست في حاجة إلى اتخاذ أي إجراءات.
	أيقونة مصابيح LED مضاءة على شاشة LCD.	مطفأ	لا	تم تشغيل الكشافات الأمامية باستخدام مفتاح مصابيح LED.	هذا من إجراءات التشغيل العادية. لست في حاجة إلى اتخاذ أي إجراءات.
	أيقونة البلوتوث مضاءة على شاشة LCD.	مطفأ	لا	تم ربط الجرار بجهاز محمول عبر تقنية البلوتوث.	هذا من إجراءات التشغيل العادية. لست في حاجة إلى اتخاذ أي إجراءات.
	أيقونة إيقاف تشغيل الجز أثناء الرجوع إلى الخلف مضاءة على شاشة LCD.	مطفأ	لا	يشير إلى أنه لا يمكن تشغيل الشفرات أثناء رجوع الجرار إلى الخلف.	هذا من إجراءات التشغيل العادية. إذا لزم الأمر، قم بتشغيل الشفرات أثناء الرجوع إلى الخلف وفقاً للتعليمات الواردة في قسم "تشغيل الشفرات أثناء الرجوع إلى الخلف" من هذا الدليل.
	أيقونة الحركة إلى الأمام مضاءة على شاشة LCD.	مطفأ	لا	يشير إلى إمكانية قيادة الجرار أو التحرك به إلى الأمام.	هذا من إجراءات التشغيل العادية. اضبط ذراع التحكم في الاتجاه على الوضع "D" (الحركة إلى الأمام) أو المحايد أو "R" (الرجوع إلى الخلف) بحسب الحاجة.
	أيقونة الحركة إلى الخلف مضاءة على شاشة LCD.	مطفأ	لا	يشير إلى إمكانية قيادة الجرار أو التحرك به إلى الخلف.	
	أيقونة الحركة إلى الأمام وأيقونة الحركة إلى الخلف يومان بالتبادل	مطفأ	لا	يشير إلى عدم إمكانية قيادة الجرار.	
	أيقونة مفتاح الأمان مضاءة عند عرض شاشة LCD "مقياس الوقود".	مطفأ	لا	تم إدخال مفتاح الأمان بشكل صحيح.	هذا من إجراءات التشغيل العادية. لست في حاجة إلى اتخاذ أي إجراءات.
	أيقونة مفتاح الأمان تومض عند عرض شاشة LCD "مقياس الوقود".	مطفأ	لا	مفتاح الأمان غير مُدخل.	أدخل مفتاح الأمان، ثم اضغط بشكل كامل على دواسة فرملة الوقوف، واضغط على زر البدء/الإيقاف بشكل متزامن لأكثر من 3 ثوانٍ لتشغيل الجرار.
	أيقونة مفتاح الأمان مضاءة عند عرض شاشة LCD لواجهة المشغل.	مطفأ	لا	تجميع صندوق لوحة التحكم الرئيسية معطوبة.	تواصل مع مركز خدمة العملاء بشركة EGO لإصلاح العيب.
	أيقونة فرملة الوقوف تومض عند عرض شاشة LCD "مقياس الوقود".	مطفأ	لا	لم يتم الضغط على دواسة فرملة الوقوف.	بعد إدخال مفتاح الأمان، اضغط بشكل كامل على دواسة فرملة الوقوف، واضغط على زر البدء/الإيقاف بشكل متزامن لأكثر من 3 ثوانٍ لتشغيل الجرار.
	أيقونة فرملة الوقوف تومض عند عرض شاشة LCD لواجهة المشغل.	مطفأ	لا	اضغط على دواسة الوقود قبل الضغط على دواسة فرملة الوقوف لجعل مؤشر الجرار يتوهج باللون الأخضر.	ابدأ تشغيل الجرار بشكل صحيح باتباع القسم "بدء تشغيل الجرار".
	أيقونة فرملة الوقوف مضاءة	مطفأ	لا	دواسة فرملة الوقوف مضبوطة على وضع فرملة الوقوف.	حررها قبل بدء تشغيل الجرار.

المشكلة	السبب	الحل
هناك صوت غير عادي يصدر عند دفع الجرار يدويًا من دون بدء تشغيله.	■ الصوت صادر عن المغناطيس الموجود داخل محرك الدفع.	■ هذا طبيعي ولست في حاجة لاتخاذ أي إجراءات.
لا يمكن تدوير عجلة القيادة.	■ مجموعة عجلة القيادة مسدودة بالعوالق.	■ افحص ما إذا كانت هناك عوالق، وقم بإزالتها.
الجرار لا ينعطف إلى اليسار/اليمن عند تدوير عجلة القيادة.	■ هناك خلل في المكونات الإلكترونية أو الميكانيكية.	■ تواصل مع مركز خدمة العملاء بشركة EGO لإصلاح العيب.
يعجز الجرار عن التوقف بعد تحرير دواسة الوقود.	■ مسار عودة حركة دواسة الوقود مسدود بالعوالق.	■ افحص ما إذا كانت هناك عوالق، وقم بإزالتها.
لا يمكن تفعيل وظيفة مثبت السرعة CCS أو إيقاف تشغيلها.	■ تم الضغط على زر مثبت السرعة CCS بدون قصد أثناء القيادة. الجرار في وضع مثبت السرعة	■ تحقق مما إذا كانت أيقونة مثبت السرعة CCS مضاءة على شاشة LCD، وقم بإنهاء وظيفة CCS عند الضرورة. راجع فصل "استخدام مثبت السرعة (CCS)"
لا يمكن تفعيل وظيفة مثبت السرعة CCS أو إيقاف تشغيلها.	■ لم يتم الضغط على زر مثبت السرعة CCS بشكل صحيح.	■ اضغط على زر مثبت السرعة CCS إلى أن تضيء أيقونة مثبت السرعة على شاشة LCD أو تختفي منها.
تدور العجلات الأمامية للجرار بوضاء غير طبيعية.	■ تحتاج جلبات عمود العجلات الأمامية إلى التشحيم.	■ أخرج مجموعات البطارية، ثم املا منافذ الحقن بالشحم إلى أن يتدفق الشحم إلى خارج الحافة العلوية أو الحافة السفلية لجلبات عمود العجلات الأمامية.

المشكلة	السبب	الحل
هناك عشب أو عوالق متبقية على الأرض بعد الجز.	■ تم ضبط الأرضية لجز كمية زائدة من العشب مرة واحدة عندما يكون العشب طويلاً.	■ ابدأ بارتفاع الجز العالي وقلله إلى أن تصل إلى نتيجة الجز المرغوبة. يجب جز العشب الذي يزيد طوله عن 251 سم مرتين على ارتفاعات جز متناقصة تدريجياً.
	■ العشب رطب.	■ لا تقم بجز العشب وهو مبلل. انتظر حتى يجف الحشائش.
	■ سرعة الحركة عالية.	■ اخفض سرعة الحركة.
	■ سرعة الشفرة منخفضة.	■ قم بزيادة سرعة الشفرة تدريجياً.
وقت تشغيل الجرار صار قصيراً مع البطاريات المثبتة به.	■ ستؤثر تضاريس العشب، وحالات العشب، وأوضاع ضبط ارتفاع الجز، وسرعة الحركة، وسرعة الشفرة، وما إلى ذلك بشكل كبير على وقت التشغيل.	■ ارفع ارتفاع جز أرضية الجزاة وخفض سرعة الشفرة للحد من حمل الجز.
الجرار لا يتحرك في خط مستقيم.	■ ضغط الإطارات للعجلات اليسرى واليمنى مختلف.	■ راجع ضغط الهواء واضبطه في إطارات العجلات الأمامية والخلفية وفقاً للتوصيات الواردة في قسم "المواصفات" من هذا الدليل.
لا يمكن تحرير دواسة فرملة الوقوف من وضع فرملة الوقوف أو أنها تتردد إلى الخلف ببطء.	■ مسار حركة دواسة فرملة الوقوف مسدود بالعوالق.	■ افحص ما إذا كانت هناك عوالق، وقم بإزالتها.
لا يمكن شحن الجرار باستخدام منفذ الشحن مع توهج مؤشر حالة الجرار باللون الأحمر الثابت.	■ لم يتم إدخال قابس الشاحن بشكل صحيح في منفذ الشحن الموجود في الجرار.	■ أعد توصيل قابس الشاحن لتري ما إذا كان بمقدورك شحن الجرار بشكل طبيعي.
	■ لا توجد طاقة في مقابس الحائط.	■ لست في حاجة إلى اتخاذ أي إجراءات. انتظر حتى استعادة الطاقة.
	■ هناك عطل في الشاحن.	■ يرجى التواصل مع مركز خدمة العملاء بشركة EGO وفحص الشاحن و/أو إصلاحه إذا لزم الأمر بواسطة فني خدمة مؤهل.
	■ منفذ الشاحن الموجود بالجرار معطوب.	■ يُرجى التواصل مع مركز خدمة العملاء بشركة EGO طلباً للإصلاح.
وقت الشحن عبر منفذ شحن الجرار طويل للغاية.	■ استخدام مهابئ EGO للشاحن ACA1000 في عملية الشحن يطيل فترة الشحن.	■ استخدم شاحن EGO من الطراز CHV1600E في شحن جرار العشب الكهربائي مباشرة.
لا يمكن شحن البطاريات بالكامل من خلال منفذ شحن الجرار.	■ هناك خطأ في البرنامج الثابت للجرار، أو هناك عطل في مجموعة البطارية أو الشاحن.	■ أعد تعيين الشاحن عن طريق فصل الشاحن والانتظار لعدة دقائق. وبعد ذلك، أعد توصيل القابس بمصدر الطاقة. إذا لم يُفَلح ذلك في حل المشكلة، يُرجى التواصل مع مركز خدمة العملاء بشركة EGO.
لا يمكن بدء تشغيل الجرار بعد تنظيفه.	■ التنظيف غير الملائم، مثل دخول الماء إلى المكونات الكهربائية أو شاشة LCD أو ما شابه.	■ اتبع التعليمات الواردة في القسم "الصيانة العامة" لتنظيف الجرار بشكل صحيح. ■ إذا ظل الجرار تحت المطر دون قصد، اتركه إلى أن يجف أو استخدم الهواء المضغوط في تجفيفه.
يحدث انسداد في الأرضية بسرعة.	■ لم يتم تنظيف الأرضية بشكل صحيح بعد الاستخدام السابق.	■ نظف أرضية الجرار بعد كل استخدام، واتباع التعليمات الواردة في قسم "استخدام منفذ الغسل في تنظيف الأرضية".
الجرار يفقد قدرته على الجر بسهولة أثناء صعود منحدر.	■ إطارات العجلات الخلفية متهاكلة.	■ توجه إلى مركز الصيانة المحلي لاستبدال إطارات العجلات.
	■ تقوم بالجز على منحدر شاق.	■ لا ينبغي استخدام الجرار للجز على المنحدرات التي تزيد درجة انحدارها عن الدرجات المطلوبة.
عند إيقاف الجرار على منحدر وتعبق دواسة فرملة الوقوف، قد يندفع الجرار إلى أسفل على المنحدر.	■ مكونات الفرملة متهاكلة بشكل زائد بسبب التشغيل غير الملائم للجرار.	■ تواصل مع مركز خدمة العملاء بشركة EGO لإصلاح العيب.
لا يخرج أي ماء من منفذ الغسل عند محاولة غسل الأرضية.	■ لم يتم تركيب قارئة التوصيل السريع لمنفذ الغسل في مكانها الصحيح بمنفذ الغسل.	■ أعد تركيب قارئة التوصيل السريع لمنفذ الغسل إلى أن تسمع صوت نقرة بعد الضغط بقوة. إذا لم يعمل، تواصل مع قسم خدمة العملاء بشركة EGO.

المشكلة	السبب	الحل
تظل مؤشرات الطاقة بمجموعات البطارية مضاءة عندما يكون الجرارة متوقفاً عن التشغيل.	<ul style="list-style-type: none"> عند إيقاف تشغيل الجرارة على أرضية مستوية من دون إزالة مجموعة (مجموعات) البطارية من الجرارة، ستظل مؤشرات الطاقة مضاءة لفترة من الوقت. 	<ul style="list-style-type: none"> لست في حاجة إلى اتخاذ أي إجراءات. تنطفئ مؤشرات البطارية عندما يتوقف الجرارة عن العمل بعد فترة من الوقت. راجع قسم "إيقاف تشغيل الجرارة" لوقت محدد.
تظل مؤشرات الطاقة بمجموعات البطارية مضاءة عندما يكون الجرارة متوقفاً عن التشغيل.	<ul style="list-style-type: none"> عند إيقاف تشغيل الجرارة على منحدر من دون ضبط فرملة الوقوف، ستظل مؤشرات الطاقة بمجموعات البطارية مضاءة إلى أن يتم استهلاك شحن البطارية. يستمر المؤشر الصوتي في إطلاق التنبيه في نفس الوقت. 	<ul style="list-style-type: none"> اضبط دواسة فرملة الوقوف على وضع فرملة الوقوف قبل ترك الجرارة على منحدر. وإلا فقد يندفع الجرارة إلى أسفل المنحدر.
تتوقف شاشة LCD عن الإضاءة مع ظهور جميع الأيقونات.	<ul style="list-style-type: none"> لم يتم الضغط على زر البدء/الإيقاف لفترة كافية. 	<ol style="list-style-type: none"> سوف تقوم شاشة LCD بعرض "مقياس الوقود" فقط عند الضغط على زر التشغيل/الإيقاف لوهلة قصيرة. سيتم تشغيل شاشة LCD بعد الضغط بشكل كامل على دواسة فرملة الوقوف والضغط على زر البدء/الإيقاف لفترة كافية في نفس الوقت.
تتوقف شاشة LCD عن الإضاءة مع ظهور جميع الأيقونات.	<ul style="list-style-type: none"> عندما تومض أيقونة مفتاح الأمان "D" على شاشة LCD، فهذا يعني أنه لم يتم إدخال مفتاح الأمان. 	<ul style="list-style-type: none"> أدخل مفتاح الأمان، ثم اضغط بشكل كامل على دواسة فرملة الوقوف واضغط على زر البدء/الإيقاف لمدة كافية في نفس الوقت لتشغيل شاشة LCD.
تتوقف شاشة LCD عن الإضاءة مع ظهور جميع الأيقونات.	<ul style="list-style-type: none"> عندما تومض أيقونة فرملة الوقوف "F" على شاشة LCD، فإن دواسة فرملة الوقوف لم يتم الضغط عليها بالكامل. 	<ul style="list-style-type: none"> أدخل مفتاح الأمان، ثم اضغط بشكل كامل على دواسة فرملة الوقوف واضغط على زر البدء/الإيقاف لمدة كافية في نفس الوقت لتشغيل شاشة LCD.
الجرارة يجز العشب بشكل غير متساوٍ، مع فرق ارتفاع واضح بين الأمام والخلف.	<ul style="list-style-type: none"> الشفرات غير حادة. 	<ul style="list-style-type: none"> اشحذ شفرات الجز أو استبدلها على النحو الموضح في هذا الدليل.
الجرارة يجز العشب بشكل غير متساوٍ، مع فرق ارتفاع واضح بين الأمام والخلف.	<ul style="list-style-type: none"> الشفرات منتهية. 	<ul style="list-style-type: none"> استبدل شفرات الجز المنتهية وفقاً للتعليمات الواردة في القسم "استبدال شفرات الجز".
الارتفاع الفعلي لجز العشب غير متوافق مع الارتفاع المطلوب.	<ul style="list-style-type: none"> لم يتم ضبط مستوى الأرضية، وهو ما أدى إلى اختلاف ارتفاع شفرة الجز. 	<ul style="list-style-type: none"> اضبط مستوى الأرضية وفقاً للتعليمات الواردة في القسم "ضبط مستوى الأرضية".
الارتفاع الفعلي لجز العشب غير متوافق مع الارتفاع المطلوب.	<ul style="list-style-type: none"> صواميل الأرضية مفكوكة في وصلة نظام التعليق. 	<ul style="list-style-type: none"> اتبع التعليمات الواردة في قسم "ضبط مستوى الأرضية" لتنفيذ عملية الضبط من الأمام إلى الخلف لأرضية الجرارة بشكل صحيح، واربط الصواميل في وصلة نظام التعليق بإحكام.
الارتفاع الفعلي لجز العشب غير متوافق مع الارتفاع المطلوب.	<ul style="list-style-type: none"> الأرضية تالفة أو متهاكلة بشكل خطير. 	<ul style="list-style-type: none"> اتبع التعليمات في القسم "خلع الأرضية" لاستبدال أرضية الجرارة.
لا يقوم الجرارة بتوزيع العشب المجزوز على الأرض بشكل صحيح.	<ul style="list-style-type: none"> هناك قصاصات عشب رطب عالقة على الجانب السفلي لأرضية الجرارة. 	<ul style="list-style-type: none"> انتظر حتى جفاف الحشائش قبل جزها.
الارتفاع الفعلي لجز العشب غير متوافق مع الارتفاع المطلوب.	<ul style="list-style-type: none"> تم ضبط الجرارة لجز كمية زائدة من العشب مرة واحدة. 	<ul style="list-style-type: none"> قم بزيادة ارتفاع الجز للأرضية.
الارتفاع الفعلي لجز العشب غير متوافق مع الارتفاع المطلوب.	<ul style="list-style-type: none"> شفرات الجز مفكوكة. 	<ul style="list-style-type: none"> اربط مسمار الشفرة بالعزم الموصى به.
الارتفاع الفعلي لجز العشب غير متوافق مع الارتفاع المطلوب.	<ul style="list-style-type: none"> الشفرات منتهية. 	<ul style="list-style-type: none"> استبدل شفرات الجز المنتهية وفقاً للتعليمات الواردة في القسم "استبدال شفرات الجز".
الارتفاع الفعلي لجز العشب غير متوافق مع الارتفاع المطلوب.	<ul style="list-style-type: none"> لم يتم ضبط مستوى الأرضية. 	<ul style="list-style-type: none"> اضبط مستوى أرضية الجرارة وفقاً للتعليمات الواردة في القسم "ضبط مستوى الأرضية".
الارتفاع الفعلي لجز العشب غير متوافق مع الارتفاع المطلوب.	<ul style="list-style-type: none"> صواميل الأرضية مفكوكة في وصلة نظام التعليق. 	<ul style="list-style-type: none"> اربط الصواميل على وصلة نظام التعليق.
الارتفاع الفعلي لجز العشب غير متوافق مع الارتفاع المطلوب.	<ul style="list-style-type: none"> تم ضبط الأرضية لجز كمية زائدة من العشب مرة واحدة. 	<ul style="list-style-type: none"> قم بزيادة ارتفاع الجز للأرضية.

المشكلة	السبب	الحل
لا يمكن لجرار العشب الكهربائي بدء تشغيل الشفرات بعد تفعيل مفتاح تشغيل طاقة المحرك (PTO).  أيقونة مفتاح تشغيل طاقة المحرك (PTO) تومض	■ إجمالي التيار (أمبير-ساعة) للبطاريات المركبة غير متوافق مع المتطلبات.	■ لبدء تشغيل هذا الجرار، استخدم ما يكفي من بطاريات EGO باتباع الإرشادات الواردة في قسم "تركيب/خلع مجموعة البطارية" من هذا الدليل.
	■ لم يتم الضغط على مفتاح تشغيل طاقة المحرك (PTO) لأسفل عند إيقاف تشغيل الجرار في آخر مرة.	■ ادفع مفتاح تشغيل طاقة المحرك (PTO) لأسفل، ثم لأعلى لإعادة محركات الشفرة.
	■ هناك حمل زائد على الجرار عند بدء دوران الشفرات، وهو ما يؤدي إلى تفعيل خاصية الحماية الذاتية لمحركات الشفرة.	■ ابدأ جز العشب بسرعة منخفضة للشفرة أولاً، ولا تقم بزيادة تسارع الشفرة إلا بعد دوران الشفرات بنجاح.
	■ في ظروف الطقس القاسية، قد لا يمكن بدء تشغيل محرك الشفرة بنجاح بسبب وظيفة الحماية ضد درجة الحرارة المنخفضة.	■ احرص دائماً على تخزين الجرار والبطاريات في بيئة دافئة. أعد تشغيل الجرار بعد أن يذفأ. يُرجى عدم تكرار المحاولات في ظل ظروف الطقس القاسية، فذلك قد يتسبب في تلف الآلة.
	■ هناك تداخل بين الشفرة وأرضية الجرار المشوهة.	■ تواصل مع مركز خدمة العملاء بشركة EGO لإصلاح العيب.
	■ معبئ حقيبة العشب غير مركب بشكل صحيح.	■ قم بتركيب معبئ حقيبة العشب بشكل صحيح باتباع قسم "تركيب معبئ حقيبة العشب" في الدليل.
	■ هناك حمل زائد على الجرار.	■ ارفع ارتفاع جز أرضية الجزارة أو اخفض سرعة الحركة للحد من التحميل على الجرار.
	■ هناك عشب وعوالق تعيق حركة الأرضية.	■ نظف الأرضية، وتأكد من أن الشفرات تتحرك بحرية.
	■ الجرار ساخن بشكل زائد.	■ قلل الحمل على الجرار عن طريق زيادة ارتفاع جز الأرضية أو خفض سرعة الشفرة/الحركة وترك الجرار يبرد.
	تتوقف الشفرات عن الدوران أثناء جز العشب.	■ هناك حرارة زائدة في مجموعات البطارية الموجودة في حجيرة البطارية بالجرار، وهو ما يؤدي إلى عدم توافق التيار (أمبير في الساعة) للبطاريات المركبة مع المتطلبات.
■ الجرار في وضع التشغيل الطارئ.		■ عندما يكون الجرار في وضع التشغيل الطارئ، يتم نقل الشفرات تلقائياً إلى وضع سرعة الدوران المنخفضة. يجب على مشغل الآلة التوقف عن العمل والانتقال إلى مكان لشحن البطارية في أقرب وقت ممكن.
■ ارتطم الجرار بجسم غريب، وهو ما أدى إلى تفعيل وظيفة الحماية الذاتية للمحرك.		■ ادفع مفتاح تشغيل طاقة المحرك (PTO) إلى أسفل، ثم إلى أعلى لإعادة محركات الشفرة.
■ يرجع الجرار إلى الخلف مع إضاءة أيقونة إيقاف تشغيل الجز أثناء الرجوع إلى الخلف على شاشة LCD.		■ اضغط على مفتاح تشغيل طاقة المحرك (PTO) إلى أسفل وأعد تشغيل محركات الشفرة باتباع الإرشادات الواردة في قسم "التفعيل (الدخول إلى) الجز أثناء الرجوع إلى الخلف".
■ الجرار في وضع التشغيل الطارئ، ولم يتم إيقاف تشغيل الشفرات.		■ اضغط على مفتاح تشغيل طاقة المحرك (PTO) لأسفل لإيقاف تشغيل محركات الشفرة. سيتوقف مؤشر التنبيه الصوتي عن إطلاق التنبيه عند إيقاف تشغيل محركات الشفرة.
يستمر المؤشر الصوتي في إطلاق التنبيه.	■ يتوقف الجرار عن الحركة على المنحدر وينزل مشغل الآلة عن المقعد من دون ضبط دواسة فرملة الوقوف على وضع فرملة الوقوف قبل ترك الجرار على منحدر.	■ اضبط دواسة فرملة الوقوف على وضع فرملة الوقوف قبل ترك الجرار على منحدر.

استكشاف الأعطال وإصلاحها

المشكلة	السبب	الحل
جرار العشب الكهربائي لا يتحرك بعد الضغط على دواسة الوقود.	■ إجمالي التيار (أمبير-ساعة) للبطاريات المركبة غير متوافق مع المتطلبات.	■ لبدء تشغيل هذا الجرار، استخدم ما يكفي من بطاريات EGO باتباع الإرشادات الواردة في قسم "تركيب/خلع مجموعة البطارية" من هذا الدليل.
	■ دواسة فرملة الوقوف مضبوطة على وضع الفرملة.	■ اضغط حتى النهاية على دواسة فرملة الوقوف لتحريرها من وضع فرملة الوقوف.
	■ مؤشر حالة الجرار لا يتوهج باللون الأخضر.	■ اضغط على دواسة فرملة الوقوف إلى أسفل، ثم حررها. سيضيء مؤشر حالة الجرار باللون الأخضر، مما يعني أن الجرار جاهز لبدء التشغيل.
	■ مشغل الآلة غير جالس على المقعد.	■ لا يمكن تشغيل الجرار إلا بعد جلوس المشغل بشكل صحيح على المقعد.
	■ نظام قفل أمان المقعد غير متصل بشكل صحيح.	■ قم بإزالة البطاريات من الجرار وارفع الجزء الخلفي من المقعد إلى أعلى للتأكد من توصيل قابس الكابل بشكل صحيح بالمقبس الموجود أسفل المقعد (راجع قسم "تركيب المقعد"). اتبع الإرشادات الموجودة في قسم "بدء تشغيل الجرار" لإعادة تشغيل الجرار، لمعرفة ما إذا كان من الممكن بدء تشغيله. إن لم يمكن بدء تشغيله، يُرجى التواصل مع مركز خدمة العملاء بشركة EGO طلبًا للإصلاح.
	■ في ظروف الطقس القاسية، قد لا يمكن بدء تشغيل وظيفة القيادة بنجاح بسبب وظيفة الحماية ضد درجة الحرارة المنخفضة.	■ احرص دائمًا على تخزين الجرار والبطاريات في بيئة دافئة. أعد تشغيل الجرار بعد أن يذفأ. يُرجى عدم تكرار المحاولات في ظل ظروف الطقس القاسية، فذلك قد يتسبب في تلف الآلة.
	■ مسار حركة دواسة الوقود مسدود بالعوائق.	■ افحص ما إذا كانت هناك عوائق، وقم بإزالتها.
	■ هناك خلل في المكونات الميكانيكية أو الإلكترونية لدواسة الوقود.	■ تواصل مع مركز خدمة العملاء بشركة EGO لإصلاح العيب.
	■ تم ضبط ذراع التحكم في الاتجاه على الوضع المحايد.	■ ادفع/اسحب ذراع التحكم في الاتجاه إلى الموضع "D" أو "R".
	يتوقف جرار العشب الكهربائي عن الحركة.	■ عند التبديل بين الحركة إلى الأمام أو الخلف أثناء القيادة، يظل ذراع التحكم في الاتجاه في الوضع المحايد لفترة طويلة.
■ هناك خلل في المكونات الإلكترونية لدواسة الوقود.		■ تواصل مع مركز خدمة العملاء بشركة EGO لإصلاح العيب.
■ تم فصل نظام قفل أمان المقعد أثناء القيادة على أرض وعرة.		■ قم بإزالة البطاريات من الجرار وارفع الجزء الخلفي من المقعد إلى أعلى للتأكد من توصيل قابس الكابل بشكل صحيح بالمقبس الموجود أسفل المقعد (راجع قسم "تركيب المقعد"). اتبع الإرشادات الموجودة في قسم "بدء تشغيل الجرار" لمعرفة ما إذا كان من الممكن بدء تشغيله. إن لم يمكن بدء تشغيله، تواصل مع مركز خدمة العملاء بشركة EGO طلبًا للإصلاح.
■ وزن مشغل الآلة غير موزع بالتساوي على المقعد. يجب ألا يقل وزن المشغل الجالس على المقعد عن 20 كجم حتى يعمل نظام قفل أمان المقعد بشكل صحيح.		1. اجلس على المقعد بشكل صحيح، واضغط بشكل كامل على دواسة فرملة الوقوف ثم حررها، وبذلك يصبح الجرار جاهزًا للقيادة. 2. افصل البطاريات وأعد تركيبها مرة أخرى إذا لزم الأمر.
■ إذا تم الضغط على دواسة فرامل الوقوف بشكل كافٍ ولكن لم يتم قفلها في وضع الفرملة، سيتوقف الجرار عن الحركة.		■ اتبع التعليمات الواردة في قسم "بدء تشغيل الجرار" لإعادة تشغيل الجرار.

حماية البيئة

نفايات المعدات الكهربائية والإلكترونية (WEEE)
لا تتخلص من المعدات الكهربائية أو البطارية المستهلكة أو الشاحن في
النفايات المنزلية! بل توجه بهذا المنتج إلى مركز إعادة تدوير معتمد ليكون
مناخاً للفرز بشكل منفرد. تجب إعادة الآلات الكهربائية إلى مرفق إعادة
تدوير صديق للبيئة.



التخزين والنقل

نقل الجرار (الشكل H1 – الشكل H5)

الأشرطة	H2-2	السقالات	H2-1
---------	------	----------	------

تنبيه: عند اللزوم، قم بتثبيت الجرار باستخدام الأشرطة أو الكابلات لمنعها من الحركة أثناء النقل.

التخزين (الشكل I1 – الشكل I2)

ملاحظة: قم بإزالة مجموعة (مجموعات) البطارية وتخزينها بشكل منفصل، وراجع أدلة التشغيل المعنية.

نظف الجرار وافحصه قبل تخزينه وفقاً للتعليمات الواردة في الأقسام "الصيانة العامة" و"مواعيد الصيانة الموصى بها".

<ul style="list-style-type: none"> ■ اخلع البطاريات من الجرار. ■ اخلع مفتاح الأمان من الجرار. ■ نفذ جميع إجراءات الصيانة المذكورة أعلاه، ونظف الجرار جيدًا. ■ افحص المنتج بالكامل بحثًا عن الأجزاء التالفة أو المفقودة أو المفكوكة، واستبدل تلك الأجزاء أو اربطها قبل التخزين. 	قبل التخزين
<ul style="list-style-type: none"> ■ قم بتشحيم جلبات عمود العجلات الأمامية. 	سنويًا

الصيانة العامة

تفريغ العشب (الأشكال F1 إلى F3)

تنظيف هيكل الجرار (الشكل F4)

استخدم منفذ الغسل لتنظيف أرضية الجرار (الأشكال F5 إلى F6)

قارئة التوصيل السريع لمنفذ الغسل	F5-2	منفذ الغسل	F5-1
		خرطوم الحديقة	F5-3

تنبيه: عند الانتهاء من التنظيف، قم بإيقاف تشغيل الجرار تمامًا، ثم قم بإزالة خرطوم الحديقة وقارئة التوصيل السريع.

صيانة أرضية الجرار وشفرات الجز

التحضير (الشكل G1)

خلع الأرضية (الشكل G2 – الشكل G3)

كابل المحرك	G2-2	تيلة مشقوفة	G2-1
وصلة نظام التعليق			G2-3

استبدال شفرات الجز (الشكل G4 – الشكل G6)

قضيب الموازنة	G4-1	مسار ملولب	G4-1
وردة	G5-2	الشفرة	G5-2
شفة	G5-4	عمود المحرك	G5-4
	G5-5		G5-5

ضبط مستوى الأرضية

a. متى يجب ضبط المستوى (الشكل G7/الشكل G8/الشكل G9)

b. قبل ضبط المستوى

- مراجعة ضغط الإطار وهو بارد (الشكل G10)
- افحص شفرات الجز. اخلع الشفرات المتهاكلة أو المشققة أو المنثنية، واستبدلها عند اللزوم.

c. التحضير لضبط المستوى (الشكل G11)

d. كيفية ضبط المستوى

- لتنفيذ الضبط من جانب إلى آخر (الشكل G12)
- لتنفيذ الضبط من الأمام إلى الخلف (الشكل G13)

ملاحظة: تجب إعادة تركيب معبئ حقيبة العشب في مكانه بالجرار كما ينبغي، وإلا فقد يمكن قيادة الجرارة، ولكن لن يمكن تشغيل محركات الشفرة.

الصيانة

⚠ تحذير: ارتد بشكل دائم أدوات حماية العينين المزودة بواقيات على الجانبين. قد ينجم عن عدم الامتثال لذلك دخول أشياء في عينيك، وهو ما قد يؤدي إلى وقوع إصابات خطيرة.

⚠ تحذير: احرص دائمًا على حماية يديك عن طريق ارتداء قفازات قوية أو تغليف الحواف القاطعة بقطعة قماش أو مواد أخرى ملائمة عند إجراء أي أعمال صيانة على شفرة الجرار. احرص دائمًا على خلع مفتاح الأمان ومجموعات البطارية عند إجراء أعمال الصيانة على الجرار أو نقله.

مواعيد الصيانة الموصى بها

إجراءات الصيانة	مواعيد الصيانة
<ul style="list-style-type: none"> ■ افحص نظام قفل الأمان. ■ تحقق بنظرك مما إذا كانت الإطارات منفوخة أم لا. ■ افحص الشفرات. ■ افحص المنتج بأكمله بحثًا عن الأجزاء التالفة أو المفقودة أو المفكوكة، مثل أنبوب التفريغ الجانبي أو المسامير أو الصواميل أو البراغي أو الأغطية أو ما شابههم، مع التأكد من تركيب جميع الواقيات في مكانها وعملها كما ينبغي. ■ تحقق وتأكد من إمكانية الضغط على دواسة الوقود وتحريرها كما ينبغي. ■ افحص ماص صدمات عجلة القيادة. يجب تدوير عجلة القيادة بمقاومة معينة. 	قبل كل استخدام أو يوميًا
<ul style="list-style-type: none"> ■ تنظيف الجرار وغسل الأرضية. 	بعد كل استخدام
<ul style="list-style-type: none"> ■ افحص ضغط هواء الإطارات. 	كل 25 ساعة
<ul style="list-style-type: none"> ■ افحص العجلات الخلفية، مع التأكد من ربط جميع صواميل العجلة بالعزم الموصى به (101 - 103 نيوتن متر). ■ افحص العجلات الأمامية، مع التأكد من ربط الصامولة بالعزم الموصى به (90 - 92 نيوتن متر). 	كل 100 ساعة
<ul style="list-style-type: none"> ■ افحص العجلات الأمامية، مع التأكد من دورانها بحرية. 	كل 200 ساعة
<ul style="list-style-type: none"> ■ افحص دواسة فرملة الوقوف. قم بإزالة البطارية من الجرار، ثم اسحب ذراع تعشيق فرملة الوقوف إلى أعلى واضغط على دواسة فرملة الوقوف لضبط فرملة الوقوف. ادفع الجرار إلى الأمام يدويًا لمعرفة ما إذا كان من الممكن تحريك الجرار من دون دوران العجلات الخلفية. إذا تحرك الجرار مع دوران العجلات الخلفية في هذه الأثناء، فيرجى الاتصال بمركز خدمة العملاء بشركة EGO لإصلاح العيب. 	كل نصف عام

مصابيح LED (الشكل E19)

- يمكن تشغيل مصابيح LED وإيقاف تشغيلها باستخدام مفتاح مصابيح LED.

منفذ USB

تنبيه: يقدم منفذ USB طاقة شحن بقدرة 5 فولت تيار مستمر عند توصيل أجهزة استهلاك يصل استهلاكها مجتمعة إلى 1.5 أمبير، ولن يعمل المنفذ إلا بعد بدء تشغيل الجرار.

إيقاف تشغيل الجرار (الشكل E20)

⚠ تحذير: احرص دائماً على ضبط دواسة فرملة الوقوف على موضع فرملة الوقوف عند توقف الجرار عن الحركة على منحدر، وإلا، فقد ينحدر الجرار إلى اسفل على المنحدر، وهو ما قد يتسبب في حدوث أضرار جسيمة بالجرار أو التعرض لإصابات شخصية!

ملاحظة: في الحالة التي يتم فيها ضبط دواسة فرملة الوقوف على موضع فرملة الوقوف ويكون المشغل بعيداً عن المقعد، ولكن لم تتم إزالة مجموعات البطارية:

- في حالة إيقاف تشغيل شاشة LCD، ستظل مؤشرات البطارية وزر التشغيل/الإيقاف وزر مثبت السرعة CCS مضبوطة لمدة ساعة واحدة.
- في حالة عرض شاشة LCD لـ "مقياس الوقود" أو واجهة المشغل، فسيتم إيقاف تشغيل الجرار تلقائياً بعد ساعة واحدة.

وضع التشغيل الطارئ

عندما يصبح شحن البطارية منخفضاً للغاية، سينقل الجرار إلى وضع التشغيل الطارئ للحفاظ على قدرٍ كافٍ من الطاقة للعودة إلى مكان الشحن.

- تتحول الشفرات إلى سرعة دوران منخفضة، والتي يمكن أن تجز كمية قليلة جداً من العشب. عند مواجهة عشب طويل وكثيف، ستتوقف الشفرات عن الدوران. سوف يقوم مؤشر الصوت بإطلاق صوت (صوت تنبيه "بيب") بشكل متقطع.
- سيومض مؤشر حالة الجرار باللون الأحمر كل ثانية، وسيومض كل من أيقونة التنبيه (طاقة منخفضة) وأيقونة كل حجيرة بطارية مشغولة.
- يجب على مشغل الآلة:

- اضغط على مفتاح تعشيق طاقة المحرك (PTO) لأسفل لإيقاف تشغيل محركات الشفرة. سيتوقف مؤشر التنبيه الصوتي عن إطلاق التنبيه عند توقف محركات الشفرة.

- توقف عن العمل واهب إلى مكان شحن البطارية في أقرب وقت ممكن. أقصى مسافة يمكن للجرار قطعها هي 1000 متر.

عند اقتراب نفاذ شحن البطارية، ستومض أيقونة التنبيه (طاقة منخفضة) وأيقونة كل حجيرة بطارية مشغولة كل نصف ثانية. سوف يتوقف الجرار عن العمل على الفور. يجب على مشغل الآلة نقل الجرار إلى مكان الشحن لشحنها.

ملاحظة: إذا احتجت إلى دفع الآلة يدوياً، احرص على فصل البطاريات من الجرار وتحرير دواسة فرملة الوقوف من وضع فرملة الوقوف.

قيادة الجرار (الشكل E21)

⚠ خطر: ابق على مسافة لا تقل عن ضعف عرض الجرز عن أي خنادق أو منحدرات أو مياه. يمكن للعجلات الأمامية أن تدور عند توقف الجرار، حتى بعد الضغط على الفرملة، مما قد يتسبب في تجاوز الجرار لحافة أو السقوط في الماء، وهو ما قد يتسبب في التعرض للوفاة أو الإصابة الشخصية الخطيرة.

⚠ تحذير: لا تقم بتشغيل هذا الجرار على الطرق العامة.

⚠ تحذير: إذا حدث انسداد أو ارتطمت بجسم غريب، قم بإيقاف المحرك وإخلاء البطاريات. تخلص من قصاصات العشب وأوراق الشجر والأوساخ وأي عوالم أخرى متراكمة، وافحص الجرار بعناية بحثاً عن أي علامات للتلف وأصلحه قبل إعادة تشغيل الجرار.

ملاحظة:

- في أثناء القيادة، عندما تغادر المقعد، سينطفئ مؤشر حالة الجرار. عند استئناف القيادة، اجلس مرة أخرى على المقعد واضغط بشكل كامل على دواسة فرملة الوقوف إلى أن يضيء مؤشر حالة الجرار باللون الأخضر.
- عند التبديل بين الحركة إلى الأمام أو إلى الخلف في أثناء القيادة، قم بتحريك ذراع التحكم في الاتجاه مباشرة من أحد الأطراف إلى الطرف الآخر دون التوقف في الوضع المحايد، وإلا فقد يتوقف الجرار عن الحركة.

استخدام مثبت السرعة (CCS)

لتفعيل (الدخول إلى) مثبت السرعة (CCS) (الشكل E22)

ملاحظة: قد لا يمثل مستوى سرعة الحركة المعروض على شاشة LCD سرعة الحركة الفعلية للجرار بدقة في نظام مثبت السرعة. اضغط على زر ضبط السرعة من أجل "تحديث" مستوى سرعة القيادة على شاشة LCD.

إيقاف (الخروج من) مثبت السرعة (CCS)، يمكنك الاختيار من بين الطرق الثلاث الآتية:

- اضغط على دواسة الوقود حتى النهاية واستمر في الضغط. ستتوقف وظيفة مثبت السرعة (CCS)، ويواصل الجرار الحركة.
- اضغط قليلاً على دواسة الوقود، ثم حررها. سيتوقف الجرار ووظيفة مثبت السرعة (CCS).
- اضغط على زر مثبت السرعة (CCS). سيتوقف الجرار ووظيفة مثبت السرعة (CCS).

ملاحظة: عندما يتم إيقاف مثبت السرعة (CCS)، سوف تختفي أيقونة "⚙" من شاشة LCD وسيصدر صوت تنبيه "بيب" مرتين.

ملاحظة: في حالة الضغط على دواسة فرملة الوقوف، سيتوقف الجرار ولكن ستومض أيقونة "⚙" على شاشة LCD للإشارة إلى أن مثبت السرعة (CCS) في وضع الاستعداد. في هذه الحالة، حرر دواسة فرملة الوقوف، ثم اضغط على زر مثبت السرعة (CCS). سيستأنف الجرار الحركة تلقائياً وستتوقف أيقونة "⚙" عن الوميض.

تشغيل الشفرات أثناء الرجوع إلى الخلف

ملاحظة: لا نوصي بالجز أثناء الرجوع إلى الخلف.

⚠ تحذير: توخ الحذر الشديد والحيطه عند الجز أثناء الرجوع إلى الخلف. تأكد دائماً من عدم دخول أي شخص إلى منطقة العمل، وخاصة الأطفال الصغار قبل عملية الجز أثناء الرجوع إلى الخلف وفي أثنائها.

⚠ تحذير: قد تضعف رؤية مشغل الآلة عند تشغيل الجرار مع تركيب طقم معبى حقيبة العشب. يجب دائماً أخذ الحذر الشديد والإمام بالمناطق المحيطة في الاعتبار قبل الجز أثناء الرجوع إلى الخلف وفي أثنائها.

لتفعيل (الدخول إلى) الجز أثناء الرجوع إلى الخلف (E23)

إيقاف (الخروج من) من وضع الجز أثناء الرجوع إلى الخلف. يمكنك الاختيار من بين الطرق الأربع الآتية:

- اضغط على زر الجز أثناء الرجوع إلى الخلف مرة واحدة.
- ارفع نفسك عن مقعد الجرار.
- اضغط على زر البدء/الإيقاف لمدة 3 ثوانٍ لإيقاف تشغيل شاشة LCD.
- قم بإزالة مفتاح الأمان أو أخرج مجموعة (مجموعات) البطارية لإيقاف تشغيل الجرار.

ملاحظة: عندما يتم إيقاف الجز أثناء الرجوع إلى الخلف، ستضيء أيقونة "⚙" على شاشة LCD.

تفريغ معبى حقيبة العشب (الشكل E24)

ملاحظة: عندما تومض أيقونة "⚙" على شاشة LCD، فهذا يعني أن معبى حقيبة العشب قد امتلأ. وبعد إفراغ حقيبة العشب، ستختفي أيقونة "⚙" من شاشة LCD.

تكنولوجيا الاتصالات

للتعرف على المعلومات الخاصة بالمجموعة الكاملة من المنتجات والخدمات القابلة للاتصال، بما في ذلك تعليمات تنفيذ الاتصال، يُرجى مسح رمز الاستجابة السريعة (QR) أدناه أو تفضل بزيارة الموقع الإلكتروني www.egopowerplus.eu/connect.



قائمة المتطلبات قبل التشغيل

- تأكد من خلو منطقة العمل من الأطفال والمرافقين والحيوانات الأليفة.
- احرص على إخلاء منطقة العمل من الأشياء التي قد تتطاير بفعل شفرات الجرار.
- نظف الجرار من أي عوالق.
- تحقق مما إذا كانت هناك أي عناصر تثبيت مفكوكة.
- افحص للتأكد من أن جميع الواقيات في أماكنها وتعمل بشكل صحيح.
- تحقق بنظرك مما إذا كانت الإطارات منفوخة أم لا.
- افحص أداء الفرملة.
- اضبط ارتفاع الأرضية على وضع الجز المطلوب المناسب للعشب، واضبط عجلات منع الاحتكاك بالأرض وفقاً لذلك.
- اضبط موضع المقعد، وتأكد من سهولة الوصول إلى كلتا الدواستين.
- تحقق من مستوى شحن البطارية.
- افحص نظام قفل الأمان.
- تأكد من تركيب معبى حقيبة العشب بشكل صحيح.

بدء تشغيل الجرار (الشكل E15 – الشكل E16)

- تحذير:** تجنب عمليات بدء التشغيل والتوقف والدوران بشكل مفاجئ، وكذا السرعة الزائدة، خاصة عند تعلم تشغيل الجرار للمرة الأولى. يمكن للجرار أن يدور حول نفسه بسرعة، وهو ما قد يتسبب في فقد السيطرة والتعرض لإصابات خطيرة و/أو حدوث تلف.
- تحذير:** قبل بدء تشغيل الجرار، افحص الشفرات وتأكد من إلغاء تشغيلها خلا 5 ثوانٍ من الضغط على مفتاح تشغيل طاقة المحرك (PTO) إلى أسفل. إذا لم تتوقف الشفرات، لا تستخدم الجرار واتصل بمركز خدمة عملاء EGO على الفور.

ملاحظة:

- إذا تم ضبط دواسة فرملة الوقوف على موضع فرملة الوقوف، ما عليك سوى الضغط على زر البدء-الإيقاف لمدة 3 ثوانٍ لإضاءة شاشة LCD، ثم حرر دواسة فرملة الوقوف قبل قيادة الجرار.
- يمكن بدء تشغيل شفرات الجز في أي وقت بمجرد إضاءة شاشة LCD بالكامل وعدم سحب ذراع التحكم في الاتجاه إلى الخلف إلى موضع الرجوع إلى الخلف "R".
- لتشغيل الشفرات أثناء الرجوع بالجرار إلى الخلف، راجع قسم "تشغيل الشفرات أثناء الرجوع إلى الخلف" من هذا الدليل.

تنبيه: اتبع الشكل E17 للوصول إلى أقل سرعة للحركة إلى أن تصبح ماهرًا في تشغيل الجرار في جميع الحالات.

لا يحفظ جرار العشب الكهربائي إعدادات سرعة القيادة وسرعة الشفرة. ستعود سرعة القيادة وسرعة الشفرة إلى المستوى 2 في كل مرة يتم فيها إيقاف تشغيل الجرار.

ضبط سرعة الحركة (الشكل E17)

ضبط سرعة الشفرة (الشكل E18)

ملاحظة: عند الضبط على "المستوى 3"، اضغط على زر ضبط سرعة الشفرة مرة أخرى، وسوف تواصل سرعة الشفرة العمل بالسرعة السابقة.

الضبط

قبل الضبط (الشكل D1)

ضبط ارتفاع أرضية الجز (الشكل D2)

ضبط عجلات منع الاحتكاك بالأرض (الأشكال D3 إلى D6)

D3-1	عجلات منع الاحتكاك بالأرض	D5-1	صامولة
D5-2	مسمار ملولب	D6-1	ملصق ارتفاع أرضية الجزارة

ضبط المقعد (الشكل D7)

D7-1	رافعة تعديل موضع المقعد
------	-------------------------

التشغيل

قبل التشغيل (الشكل E1)

ضبط فرملة الوقوف (الشكل E2)

E2-1	موضع فرملة الوقوف	E2-2	وضع تحرير الفرملة
------	-------------------	------	-------------------

تحذير: لا يمكن لدواسة فرملة الوقوف أن تبطي من سرعة الحركة. لا تحاول مطلقاً الضغط إلى أسفل على دواسة فرملة الوقوف لإبطاء سرعة الحركة أثناء القيادة. عندما يتم الضغط إلى أسفل على دواسة فرملة الوقوف، ولكن عند عدم تشغيلها في موضع فرملة الوقوف، فإن الفرملة الكهربائية لم تعد تعمل بكفاءة وسيوقف الجرار عن الحركة على أرضية مسطحة. ولكن إذا حدث ذلك على منحدر، فقد ينزلق الجرار بمجرد تحرير دواسة فرملة الوقوف.

تحذير: اسحب ذراع تشغيل فرملة الوقوف إلى أعلى واضغط إلى أسفل على دواسة فرملة الوقوف على الفور لتشغيلها في موضع فرملة الوقوف في حالة حدوث أي طوارئ، وسيوقف الجرار على الفور ولن ينزلق إلى أسفل على المنحدر.

تركيب/خلع مجموعة البطارية (الأشكال E3 إلى E6)

لبدء تشغيل هذا الجرار، يجب تركيب بطاريات EGO بإجمالي 15 أمبير في الساعة (2 × بطارية BA4200/BA4200T) أو أكثر. لتحقيق أفضل أداء، نوصي باستخدام بطاريات EGO بإجمالي 30 أمبير في الساعة أو أكثر.

E3-1	زر تحرير الغطاء	E5-1	زر تحرير البطارية
------	-----------------	------	-------------------

شحن الجرار

لا تستخدم أي مجموعات بطارية أو شواحن غير تلك الموصى بها.

- اشحن مجموعة (مجموعات) البطارية بشكل منفصل (الشكل E7)
- تنبيه: راجع كتيبات البطارية والشاحن ذات الصلة للحصول على إرشادات تفصيلية.
- اشحن مجموعة (مجموعات) البطارية عبر منفذ الشحن (الشكل E8 - الشكل E10)

E10-1	غطاء الأتربة	E10-2	منفذ الشحن
-------	--------------	-------	------------

فحص نظام قفل الأمان

a. لاختبار نظام شفرة أرضية الجزارة (الشكل E11 – الشكل E12)

b. لاختبار نظام الحركة (الشكل E13 – الشكل E14)

إذا لم يتم نظام شفرة أرضية الجزارة و/أو نظام الحركة بالتوقف عند نزول مشغل الآلة عن المقعد، وإذا لم يمكن تحديد السبب بعد التأكد من توصيل قاييس المقعد ومقيسه كما ينبغي، فاتصل بمركز خدمة عملاء EGO على الفور.

معبي حقيبتي العشب (مع مجموعتين من البراغي والصواميل للدعامات الجانبية)	B-14	دليل التشغيل	B-13
دعامة جانبية	B-16	دعامة على شكل حرف U	B-15
دعامة دعم معبي حقيبتي العشب جهة اليسار واليمين	B-18	ذراع الإمالة	B-17
براغي M8X40	B-20	قضيب متصالب	B-19
صامولة M8	B-22	براغي M8X25	B-21

التجميع

تركيب عجلة القيادة (الشكل C1)

عجلة القيادة	C1-2	عمود التوجيه	C1-1
وردة	C1-4	خط المنتصف	C1-3
مفتاح بيبي (مفتاح ربط مجوف) مقاس 18 مم	C1-6	صامولة	C1-5
		غطاء الغبار	C1-7

تركيب المقعد (الشكل C2)

تحذير: لا يجب بأي حال من الأحوال فصل نظام قفل الأمان أو تجاوزه. لأن فعل ذلك قد يتسبب في تشغيل الجرار بشكل غير متوقع، وهو ما يؤدي إلى التعرض لإصابات بدنية.

صامولة (M8)	C2-2	المقعد	C2-1
مقيس	C2-4	براغي برأس مستدير وعتبة	C2-3
		قابس	C2-5

تركيب معبي حقيبتي العشب (الشكل C3 - C8)

معبي حقيبتي العشب	C3-2	دعامة على شكل حرف U	C3-1
مفتاح ربط جانبيين	C3-4	4 مجموعات من البراغي والصواميل (M8 X 40)	C3-2
4 مجموعات من البراغي والصواميل (M8 X 40)	C4-2	دعامات جانبية	C4-1
ذراع الإمالة	C5-1	مفتاح ربط جانبيين	C4-3
مفتاح ربط جانبيين	C5-3	1 مجموعة من البراغي والصواميل (M8 X 40)	C5-2
4 مجموعات من البراغي والصواميل (M8 X 25)	C6-2	دعامات دعم معبي حقيبتي العشب	C6-1
قضيب متصالب	C7-1	مفاتيح ربط جانبيين	C6-3
مفتاح ربط جانبيين	C7-3	2 صامولة (M8)	C7-2

28. ذراع التحكم في الاتجاه
29. مفتاح الأمان
30. مفتاح تعشيق طاقة المحرك
31. زر مثبت السرعة CCS
32. زر مصباح LED/زر البلوتوث
33. زر ضبط سرعة الحركة
34. زر تحرير غطاء وحدة الطاقة
35. غطاء وحدة الطاقة
36. وحدة الطاقة مع 6 حجيرات للبطارية
37. زر تحرير البطارية

تعرف على شاشة LCD (الشكل A2)

راجع القسم "مرجع حالة الجرار" و"مرجع كود الاعطال" للتعرف على المزيد من المعلومات الخاصة بالأيقونات والمؤشرات الموجودة على شاشة LCD.

1. أيقونة وضع مثبت السرعة CCS
2. مؤشر حالة جهاز الأمان
3. أيقونة إيقاف تشغيل الجز أثناء الرجوع إلى الخلف
4. أيقونة الحركة إلى الأمام
5. أيقونة الحركة إلى الخلف
6. أيقونة مفتاح الأمان
7. أيقونة كشافات LED
8. أيقونة البلوتوث
9. مؤشر سرعة الشفرة
10. عداد ساعات العمل
11. مقياس الوقود
12. أيقونة درجة الحرارة
13. أيقونة التنبيه (الحمل الزائد/الطاقة المنخفضة)
14. أيقونة حجيرة البطارية الشاغرة
15. أيقونة حجيرة البطارية المشغولة
16. مؤشر كود الخلل
17. مؤشر الحمل
18. مؤشر سرعة الحركة
19. أيقونة امتلاء حقيبتي العشب
20. أيقونة عدم وجود حقيبتي عشب

فك التغليف

تنبيه: احتفظ بمكونات التغليف حتى الانتهاء من فحص المنتج بعناية والتأكد من تشغيله كما ينبغي. إذا وجدت أن أي جزء من الأجزاء المدرجة في قائمة المحتويات قد تم تجميعه بالفعل في الآلة، يجب عليك التواصل على الفور مع خدمة عملاء EGO.

تنبيه: باستثناء الأدوات المدرجة في قائمة المحتويات أدناه، فإن جميع الأدوات الأخرى المذكورة في الدلائل موصى بها فقط وغير مرفقة مع المنتج.

قائمة المحتويات (الشكل B)

B-1	جرار العشب الكهربائي	B-2	المقعد
B-3	عجلة القيادة	B-4	غطاء الأتربة
B-5	مفتاح ربط جانبيين	B-6	مفتاح بيبي (مفتاح ربط مجوف) مقاس 18 مم
B-7	براغي برأس مستدير وعتبة (يوجد 1 احتياطي)	B-8	صواميل M8 (يوجد 1 احتياطي)
B-9	صواميل M12 (يوجد 1 احتياطي)	B-10	وردات (يوجد 1 احتياطي)
B-11	مفتاح الأمان	B-12	قارنة التوصيل السريع لمنفذ الغسل

سنتيمترات	cm	بوصة	in
مليمترات	mm	نيوتن متر	Nm
كيلوجرام	kg	درجة مئوية	°C
درجة حماية الدخول	IPX4	كيلومتر في الساعة	km/h

الرموز المدرجة في هذا الدليل

توقف الإجراء المشار إليه



المعلومات الواجب الانتباه إليها



الملحقات الموصى بها

⚠ تحذير: استخدم فقط الملحقات المذكورة أدناه. لأن استخدام ملحقات لا تتوافق مع مواصفات المعدات الأصلية قد يؤدي إلى الأذى غير السليم والتأثير بالسلب على الأمان.

رقم الطراز	اسم القطعة
AB3801TD	طقم مجموعة الشفرة
AMP3800T	سدادة توزيع العشب المجزوز على الأرض

المواصفات

56 فولت	الجهود الكهربائي	
98 سم	حجم أرضية الآلة	
6 × 15 - 6 بوصة	الأمامية	حجم العجلة
7.5 × 18 - 8 بوصة	الخلفية	
96.5 كيلو باسكال	الأمامي	ضغط الإطار وهو بارد
170 كيلو باسكال	الخلفي	
حتى 3000	سرعة الشفرة (لفة في الدقيقة)	
حتى 9.6 كم/ساعة	إلى الأمام	أقصى سرعة حركة
حتى 4.8 كم/ساعة	إلى الخلف	
25 - 100 مم	ضبط ارتفاع الجز (12 أوضاع)	
5 - 40 درجة مئوية	مدى درجة حرارة الشحن	
0 - 40 درجة مئوية	درجة حرارة التشغيل	
-20 - 70 درجة مئوية	درجة حرارة التخزين	
220 جم	الوزن (من دون مجموعة البطارية)	
97.7 ديسيبل (A)	مستوى قوة الصوت المُقدَّر L _{WA}	
1.75=K (A)		
83.6 ديسيبل (A)	مستوى ضغط الصوت عند أذن مُشغل الآلة L _{PA}	
K=3 (A)		
100 ديسيبل (A)	مستوى قوة الصوت المضمون L _{WA} (تم قياسه وفقاً للمعيار 2000/14/EC)	
0.24 م/ثانية ²	اليد	الاهتزاز a _h
1.5=K م/ثانية ²		
0.18 م/ثانية ²	الجسم	
1.5=K م/ثانية ²		

■ القيمة الكلية للاهتزاز الموضحة تم قياسها وفقاً لطريقة اختبار قياسية وقد تستخدم لمقارنة أداة بأخرى؛

■ كما يمكن استخدام القيمة الكلية للاهتزاز الموضحة في التقييم التمهيدي للتعرض.

تنبيه: قد تختلف انبعاثات الاهتزاز أثناء الاستخدام الفعلي للآلة العاملة بالطاقة عن القيمة المعلنة التي يتم استخدام الآلة فيها؛ ولحماية مشغل الآلة، ينبغي على المستخدم ارتداء قفازات وواقيات للأذن في ظروف الاستخدام الفعلية.

الوصف

تعرف على الجرار (الشكل A1)

1. المقعد
2. حوامل الأكواب
3. العجلة الخلفية (عجلة الحركة) (x2)
4. منفذ الغسل (x2)
5. أرضية الآلة
6. عجلة منع الاحتكاك بالأرض (x2)
7. العجلة الأمامية (x2)
8. المصد الأمامي
9. دواسة فرملة الوقوف
10. المصباح الأمامي LED (x2)
11. وحدة الطاقة
12. صندوق التخزين
13. ذراع تعشيق فرملة الوقوف
14. عجلة القيادة
15. رافعة تعديل موضع المقعد
16. معبئ حقيبة العشب
17. منفذ الشحن
18. منفذ USB
19. صندوق تخزين
20. دواسة الوقود
21. ذراع ضبط ارتفاع أرضية الجزارة
22. ذراع الإمالة
23. مقبض
24. مؤشر حالة الجرار
25. زر ضبط سرعة الشفرة
26. زر الجز أثناء الرجوع إلى الخلف
27. زر البدء/الإيقاف

اقرأ جميع التعليمات!



رموز السلامة

الغرض من رموز السلامة هو جذب انتباهك إلى المخاطر المحتملة. رموز السلامة والشروح المصاحبة لها تستحق اهتمامك وفهمك الدقيق. تحذيرات كل رمز، بنفسها، لا تمنع وقوع أي خطر. التعليمات والتحذيرات التي تمنحك إياها لا تعد بديلاً عن تطبيق الإجراءات الملائمة لمنع وقوع الحوادث.

تحذير: احرص على قراءة وفهم جميع تعليمات السلامة في دليل التشغيل هذا، بما في ذلك جميع رموز تنبيهات السلامة، مثل "خطر"، و"تحذير"، و"تنبيه" قبل استخدام هذه الآلة. عدم اتباع جميع التعليمات الواردة أدناه قد يؤدي إلى حدوث صدمة كهربائية أو نشوب حريق أو التعرض للإصابة الشخصية، أحدها أو جميعها.

معنى الرمز

هذه الصفحة تصف وتشرح رموز السلامة التي قد تظهر على هذا المنتج. اقرأ جميع التعليمات المذكورة على الآلة وافهمها واتبعها قبل محاولة تجميع الآلة وتشغيلها.

رموز السلامة

اقرأ دليل التشغيل وافهمه		تنبيه سلامة	
حافظ على أجهزة الأمان		أدوات حماية العينين	
خطر - أبقِ المرافقين بعيداً عن نطاق عمل الشفرات		خطر - خطر منحدر شاهق	
انظر للخلف أثناء الرجوع للخلف		لا تحمل الأطفال مطلقاً	
خطر - أشياء متطايرة		تحذير - لا تستخدم هذا الجهاز على منحدرات يزيد ميلها عن 12 درجة	
مستوى قوة الصوت المضمون. وفقاً لتوجيه الاتحاد الأوروبي.		تحذير - أبقِ يديك وقدميك بعيداً	
لا يجب التخلص من الأجهزة الكهربائية المستهلكة في النفايات المنزلية. توجه بالجهاز إلى مركز إعادة تدوير معتمد.		لا تضع قدمك فوق هذا المكان	
تنبيه - لا تحمق في لمبة التشغيل		هذا المنتج متوافق مع توجيهات شهادة الجودة الأوروبية (CE) المعمول بها	
هذا المنتج متوافق مع تشريعات المملكة المتحدة المعمول بها.		تيار مستمر	
لفة في الدقيقة	RPM	كيلو باسكال	kPa
أمتار	m	فولت	V

מסך LCD	תיאור	מחונן מצב הטרקטור	מחונן שמע	סיבה	פתרון
	סמל שק מלא מהבהב על מסך ה-LCD.	לא רלוונטי	לא	הדבר מצביע על כך ששק הדשא מלא.	רוקנו את שק הדשא והחליפו אותו כראוי.
לא רלוונטי	לא רלוונטי	כבוי	ממשיך לצפצף	הטרקטור חונה במדרון והמפעיל עוזב את הטרקטור מבלי לכוון את דוושת בלם החניה לעמדת בלם החניה.	כוונו את דוושת בלם החניה לעמדת בלם חניה. סמל בלם החניה יידלק ומחונן השמע יפסיק לצפצף.
כבוי	תקלה ביציאת הטעינה	אור אדום יציב	לא רלוונטי	אין אספקת חשמל.	בדקו את שקע החשמל בקיר כדי לוודא שאספקת החשמל היא של 240V-220V ושהשקע תקין.
		אור אדום יציב	לא רלוונטי	תקלות אלקטרוניות, כגון הימצאות היציאה במעגל פתוח, שריפה של נתיך וכו'	התקשרו למרכז שירות הלקוחות EGO לתיקון.

סימוכין לקוד תקלה

תיאור	קוד תקלה במסך ה-LCD	מחונן שמע	פתרון
כשל בסיבוב במנוע הלהב השמאלי	509	צפצוף יחיד	בדקו תחילה את הלהב. אם הוא משוחרר, הדק את הבריח עם מומנט מומלץ. אחרת, אנא התקשרו למרכז שירות הלקוחות EGO לתיקון.
כשל בסיבוב במנוע הלהב הימני	609	צפצוף יחיד	

הודעה: עבור כל קוד תקלה אחר אשר מופיע על גבי מסך ה-LCD, אשר יכול להעיד על תקלת PCBA, חיבור משוחרר, תקלת מנוע של מנוע ההנעה, מנועי להבים וכו', אנא הסירו את כל מארזי הסוללה והכניסו אותם מחדש לאחר כמה דקות על מנת להפעיל מחדש את הטרקטור. אם הדבר איננו פותר את הבעיה, אנא תעדו את קוד התקלה וצרו קשר עם מרכז שירות הלקוחות EGO לתיקון.

אחריות

מדיניות האחריות של EGO

ניתן לבקר באתר egopowerplus.eu כדי לעיין בתנאים וההתניות המלאים של מדיניות האחריות של EGO.

מסך LCD	תיאור	מחונן מצב הטרקטור	מחונן שמע	סיבה	פתרון
	סמל הטמפרטורה מהבהב.	כבוי	צפצוף יחיד	הטרקטור מתחמם יתר על המידה. את מהירות הלהב/הנסיעה. קחו הפסקה ותנו לטרקטור להתקרר.	הפחיתו את העומס על הטרקטור, על ידי הרמת גובה החיתוך של הסיפון או האטו את מהירות הלהב/הנסיעה. קחו הפסקה ותנו לטרקטור להתקרר.
				הטרקטור קר מדי.	אל תעשו ניסיונות חוזרים שעשויים לפגוע במכונה. אחסנו תמיד את הטרקטור והסוללות בסביבה חמימה. הפעילו מחדש את הטרקטור כאשר הוא מתחמם.
	סמל ההתראה מהבהב	מהבהב באדום	צפצוף יחיד	ישנו עומס יתר על מנוע הלהב. צינור הפליטה הצדדי סתום בעשב ובפסולת. קיימת הפרעה בין הלהב לסיפון הטרקטור.	הגדילו את גובה החיתוך של הסיפון או האטו את מהירות הנסיעה כדי להפחית את העומס של הטרקטור. נקו את צינור הפליטה הצדדי לאחר כל שימוש. צרו קשר עם מרכז שירות הלקוחות של EGO.
	הסמלים של כל תא סוללה תפוס וסמל ההתראה מהבהבים מדי שנייה, בזמנית, על מסך ה-LCD.	מהבהב באדום	ממשיך לצפצף עד שמתג ה-PTO נלחץ מטה.	רמת טעינת מארזי הסוללה חלשה והטרקטור נמצא במצב "צליעה הביתה".	הפסיקו לעבוד וחזרו אל אזור טעינת הסוללה. הערה: כאשר הטרקטור נמצא במצב "צליעה הביתה", הלהבים מועברים אוטומטית למהירות סיבוב נמוכה ובינתיים מחוויי השמע ימשיכו לצפצף. על המפעיל לחוץ על מתג ה-PTO כלפי מטה כדי לנתק את מנועי הלהבים. מחונן השמע יפסיק לצפצף לאחר שהלהבים יעצרו.
	הסמל של כל תא סוללה תפוס וסמל ההתראה מהבהבים מידי חצי שנייה.	מהבהב באדום	ממשיך לצפצף	מנוע הלהב הופסק בהפעלה ומתג ה-PTO אינו מוגדר במצב כבוי.	הטרקטור יפסיק לעבוד מיד. המפעיל צריך להעביר את הטרקטור לאזור טעינת הסוללה לצורך טעינתו.
	סמל CCS נדלק על מסך ה-LCD	אור ירוק יציב	לא	הטרקטור ממשיך קדימה במהירות קבועה ללא צורך לדרוך על דוושת האצה.	זו היא פעולה תקינה. במידת הצורך, כבו את פונקציית CCS בהתאם לסעיף "כדי לעצור (לצאת) את בקרת השיוט (CCS)" במדריך.
	סמל CCS מהבהב על מסך ה-LCD.	כבוי	לא	פונקציית CCS (מערכת בקרת שיוט) נכשלה. דוושת בלם החניה נלחצת כדי לעצור את הטרקטור.	לא ניתן היה להגדיר את פונקציית ה-SCC כאשר הטרקטור נוסע במהירות נמוכה מאוד או נוסע לאחור. לאחר שחרור דוושת בלם החניה, לחצו על לחצן CCS וסמל CCS יידלק על מסך ה-LCD, או צאו מפונקציית CCS בהתאם להוראות בסעיף "כדי לעצור (לצאת) את בקרת שיוט (CCS)".
	שום סמל של שק לא נדלק על מסך ה-LCD	לא רלוונטי	לא	הדבר מצביע על כך ששק הדשא אינו מותקן על הטרקטור או שאינו מותקן כראוי.	הרכיבו את שק הדשא על הטרקטור כראוי.

מסך LCD	תיאור	מחונן מצב הטרקטור	מחונן שמע	סיבה	פתרון
	סמל בלם חניה מהבהב כאשר מסך ה-LCD מציג את "מד דלק".	כבוי	לא	דוושת בלם החניה איננה לחוצה.	כאשר מפתח הבטיחות מוכנס, לחצו באופן מלא על דוושת בלם החניה ולחצו על לחצן ההפעלה/כיבוי בו-זמנית למשך יותר מ-3 שניות כדי להפעיל את הטרקטור.
	סמל בלם חניה מהבהב כאשר מסך ה-LCD מציג את ממשק המפעיל.	כבוי	לא	לחצו על דוושת ההאצה לפני לחיצה על דוושת בלם החניה כדי לגרום למחונן הטרקטור להאיר בירוק.	הפעילו את הטרקטור כראוי כאמור בסעיף "התנעת הטרקטור".
	סמל בלם חניה נדלק	כבוי	לא	דוושת בלם החניה מוגדרת לעמדת בלם חניה.	שחררו אותו לפני הפעלה של הטרקטור.
	סמל חיישן המושב נדלק	כבוי	לא	המפעיל עוזב את המושב או שמערכת אינטר-לוק הבטיחות של המושב מנותקת.	אם כאשר המפעיל יושב על המושב, הסמל מופעל, הפסיקו להפעיל את הטרקטור מיד ובדקו את חיבור המושב. אם נבדק שחיבור המושב עם הטרקטור תקין, פנו לטכנאי שירות מוסמך לביצוע תיקונים.
	סמל מתג ה-PTO מהבהב	כבוי	לא	מנוע הלהב הופסק בהפעלה ומתג ה-PTO אינו מוגדר במצב כבוי.	לפני הפעלה מחדש של הטרקטור, לחצו על מתג ה-PTO כלפי מטה כדי לנתק את מנועי הלהבים. עיינו בסעיף „איתור וטיפול בבעיות” במדריך זה לצורך הפניה.
	הסמל של תא סוללה מסוים מהבהב.	כבוי	לא	סוללה מסוימת במהלך הפריקה נמצאת בחריגת זרם.	לא נדרשת פעולה. הטרקטור אינו יכול להמשיך לפעול אם דירוג ה-hA הכולל של הסוללה, לא כולל הסוללה עם זרם העל, שווה או גדול מ-51 hA. ברגע שהסוללה עם זרם-העל תחזור לקדמותה, היא תצטרף להפעלת הטרקטור באופן מיידי והסמל ייעלם.
	הסמל של תא הסוללה הריק מהבהב	כבוי	לא	קיבולת הסוללה אינה מספיקה כדי לאפשר את פעולת הטרקטור.	כדי להפעיל טרקטור זה, השתמשו במספיק סוללות EGO בהתאם להוראות בסעיף „הצמדה/הסרה של מארז הסוללה” במדריך זה.
	סמל התחממות היתר ותא הסוללה המלא הספציפי מהבהבים בו זמנית.	כבוי	לא	ישנו חימום יתר במארז הסוללה בתא הסוללה הממוספר המתאים.	<ol style="list-style-type: none"> הטרקטור אינו יכול להמשיך לפעול אם דירוג ה-Ah הכולל של הסוללה, לא כולל הסוללה שהתחממה מדי, עומד בדרישה. לאחר שהסוללה שהתחממה יתר על המידה חוזרת לטמפרטורה רגילה, היא תצטרף מיד להפעלת הטרקטור. אם דירוג ה-hA המשולב איננו עומד בדרישה, הטרקטור לא יפעל עד להכנסת מארזי סוללה נוספים לתוך רכיבי הסוללה הריקים. הפחיתו את העומס על הטרקטור, על ידי הרמת גובה החיתוך של הסיפון או האטת הכיסוח כאשר אתם מפעילים אותו מחדש.


הפניית מצב טרקטור

מסך LCD	תיאור	מחונן מצב הטרקטור	מחונן שמע	סיבה	פתרון
	סמל מד דלק	כבוי	לא	הוא מציין את קיבולת הטעינה הממוצעת של הסוללות המוכנסות.	זו היא פעולה תקינה. לא נדרשת פעולה.
	סמל מונה שעות	כבוי	לא	הוא מציג את זמן הנהיגה הכולל של הטרקטור, בשעות, ולא ניתן לאפס אותו.	זו היא פעולה תקינה. לא נדרשת פעולה.
	סמל אינדיקטור עומס	כבוי	לא	הוא מציין את העומס הנוכחי של הטרקטור.	זו היא פעולה תקינה. לא נדרשת פעולה.
	סמל נורות הLED מואר על מסך ה-LCD.	כבוי	לא	הפנסים הקדמיים מופעלים על ידי מתג תאורת הLED.	זו היא פעולה תקינה. לא נדרשת פעולה.
	סמל Bluetooth מואר על מסך ה-LCD	כבוי	לא	הטרקטור מחובר למכשיר נייד באמצעות Bluetooth.	זו היא פעולה תקינה. לא נדרשת פעולה.
	סמל כיסוח לאחור מכובה נדלק על מסך ה-LCD.	כבוי	לא	הדבר מציין שלא ניתן להפעיל את הלהבים כאשר הטרקטור נע לאחור.	זו היא פעולה תקינה. במידת הצורך, הפעילו את הלהבים בעת נסיעה לאחור בהתאם לסעיף „הפעלת הלהבים בעת נסיעה בזמן נסיעה לאחור” במדריך.
	סמל הנסיעה נדלק על מסך ה-LCD.	כבוי	לא	הדבר מצביע על כך שניתן לנהוג בטרקטור או שהוא נוסע קדימה.	זו היא פעולה תקינה. מקמו את דוושת בקרת הכיוון במצב „D”, ניטרלי או „R” בהתאם לצורך.
	סמל „לאחור” נדלק על מסך ה-LCD.	כבוי	לא	הדבר מציין שהטרקטור נוסע לאחור או ניתן לנהוג בו לאחור.	
	סמל נסיעה וסמל לאחור מהבהבים לסירוגין	כבוי	לא	הדבר מצביע על כך שלא ניתן היה לנהוג בטרקטור.	
	סמל מפתח הבטיחות מהבהב	כבוי	לא	מפתח הבטיחות אינו מוכנס כהלכה.	זו היא פעולה תקינה. לא נדרשת פעולה.
	סמל מפתח הבטיחות מהבהב כאשר מסך ה-LCD מציג "מד דלק".	כבוי	לא	מפתח הבטיחות אינו מוכנס.	הכניסו את מפתח הבטיחות ולאחר מכן לחצו באופן מלא על דוושת בלם החניה ולחצו על לחצן ההפעלה/כיבוי בו-זמנית למשך יותר מ-3 שניות כדי להפעיל את הטרקטור.
				מכלול תיבת לוח הבקרה של המפתח שבור.	התקשרו למרכז שירות הלקוחות EGO לתיקון.

פתרון	סיבה	בעיה
<ul style="list-style-type: none"> פנו לשירות המקומי כדי להחליף את צמיגי הגלגלים. אין להשתמש בטרקטור כדי לכסח מדרונות תלולים יותר מהמעלות הנדרשות. 	<ul style="list-style-type: none"> הצמיגים של הגלגלים האחוריים בלויים. כיסוח על מדרון תלול. 	<p>הטרקטור מאבד בקלות את כוח המשיכה כאשר הוא מטפסת על מדרון.</p>
<ul style="list-style-type: none"> התקשרו למרכז שירות הלקוחות EGO לתיקון. 	<ul style="list-style-type: none"> רכיבי הבלימה בלויים בצורה משמעותית עקב הפעלה לא נאותה של הטרקטור. 	<p>כאשר הטרקטור נעצר במדרון כאשר דוושת בלם החניה מופעלת, הטרקטור יכול להתגלגל במורד המדרון.</p>
<ul style="list-style-type: none"> חברו מחדש את המצמד המהיר של יציאת השטיפה עד לשמיעת קליק ברור לאחר דחיפה חזקה. אם הוא אינו פועל התקשרו לשירות הלקוחות של EGO. זהו מצב נורמלי, לא נדרשת פעולה. 	<ul style="list-style-type: none"> המצמד המהיר של יציאת השטיפה אינו מורכב במקומו על יציאת השטיפה. 	<p>המים לא יוצאים מיציאת השטיפה כאשר מנסים לשטוף את המשטח.</p>
<ul style="list-style-type: none"> בדקו והסירו את הפסולת. 	<ul style="list-style-type: none"> הצליל מגיע מהמגנטים בתוך מנוע הנסיעה. 	<p>צליל חריג נשמע בעת דחיפה ידנית של הטרקטור מבלי להפעיל אותו.</p>
<ul style="list-style-type: none"> התקשרו למרכז שירות הלקוחות EGO לתיקון. 	<ul style="list-style-type: none"> מכלול ההגה סתום בפסולת. 	<p>לא ניתן לסובב את ההגה.</p>
<ul style="list-style-type: none"> בדקו והסירו את הפסולת. בדקו אם סמל ה-CCS מואר במסך ה-LCD, וצאו ממצב SCC לפי הצורך. עיינו בסעיף „שימוש בבקרת שיוט (CCS)“. 	<ul style="list-style-type: none"> כשל של רכיבים אלקטרוניים או מכניים. 	<p>הטרקטור אינו פונה שמאלה/ימינה כאשר ההגה מסובב.</p>
<ul style="list-style-type: none"> בדקו והסירו את הפסולת. כפתור ה-CCS נלחץ שלא במתכוון בזמן נהיגה. הטרקטור נמצא במצב בקרת שיוט 	<ul style="list-style-type: none"> נתיב החזרה של דוושת המאיץ סתום בפסולת. 	<p>הטרקטור לא מצליח לעצור בעת שחרור דוושת ההאצה.</p>
<ul style="list-style-type: none"> לחצו על לחצן ה-CS עד שסמל ה-CCS יואר במסך ה-LCD, או יעלם ממסך ה-LCD. 	<ul style="list-style-type: none"> לחצן CCS אינו נלחץ כראוי. 	<p>לא ניתן להפעיל או לכבות את הפונקציה CCS.</p>
<ul style="list-style-type: none"> הסירו את מארזי הסוללות ולאחר מכן מלאו את יציאות ההזרקה בחומר סיכה עד שהשומן יעלה על גדותיו בקצה העליון או התחתון של שרוולי הפיר של הגלגלים הקדמיים. 	<ul style="list-style-type: none"> שרוולי הפיר של הגלגלים הקדמיים דורשים שימון. 	<p>הגלגלים הקדמיים של הטרקטור מסתובבים ברעש חריג</p>

פתרון	סיבה	בעיה
<ul style="list-style-type: none"> הדק את בורג הלהב לגובה המומנט המומלץ. החליפו את להב החיתוך לפי ההוראות בסעיף „החלפת להבי החיתוך”. אזנו את סיפון הטרקטור לפי ההוראות בסעיף „איזון הסיפון”. הדק את האומים על גבי חיבור ההשעיה. הגביהו את גובה חיתוך המשטח. 	<ul style="list-style-type: none"> להבי החיתוך משוחררים. הלהבים מעוקמים. סיפון הטרקטור אינו מאוזן. אומי הסיפון משוחררים בקישור ההשעיה. הסיפון הוגדר לחתוך כמות גדולה מדי של דשא בבת אחת. 	רטט מוגזם.
<ul style="list-style-type: none"> התחילו בגובה חיתוך גבוה והפחיתו אותו עד להשגת תוצאות הכיסוח הרצויות. יש לכסח פעמיים דשא הגבוה מ-251 מ"מ, בגבהי חיתוך נמוכים יותר ויותר. אין לכסח כאשר הדשא רטוב. חכו עד שהדשא יתייבש. הקטינו את מהירות הנסיעה. הגבירו את מהירות הלהב באופן הדרגתי. 	<ul style="list-style-type: none"> הסיפון הוגדר לחתוך כמות גדולה מדי של דשא בבת אחת, כאשר הדשא גבוה. הדשא רטוב. מהירות הנסיעה גבוהה. מהירות הלהב נמוכה. 	קיימות שאריות של דשא או פסולת על הקרקע לאחר הכיסוח.
<ul style="list-style-type: none"> הגדילו את גובה החיתוך של המשטח והאטו את מהירות הלהב כדי להפחית את עומס החיתוך. 	<ul style="list-style-type: none"> שטח דשא, תנאי דשא, הגדרת גובה חיתוך, מהירות נהיגה, מהירות להב וכו' ישפיעו מאוד על זמן הפעולה. 	זמן הרצה קצר של הטרקטור עם סוללות כלולות.
<ul style="list-style-type: none"> בדקו וכווננו את לחץ האוויר בשני צמיגי הגלגלים הקדמיים והאחוריים, על פי ההמלצות בסעיף „מפרטים” במדריך זה. 	<ul style="list-style-type: none"> לחצי הצמיגים עבור הגלגלים הימני והשמאלי שונים. 	הטרקטור אינו עוקב כראוי.
<ul style="list-style-type: none"> בדקו והסירו את הפסולת. 	<ul style="list-style-type: none"> נתיב הנסיעה של דושת בלם החניה סתום בפסולת. 	לא ניתן לשחרר את דושת בלם החניה מעמדת בלם חניה או שהיא חוזרת למקומה באטיות.
<ul style="list-style-type: none"> חברו מחדש את תקע המטען כדי לראות אם ניתן להטעין את הטרקטור כרגיל. לא נדרשת פעולה. המתינו עד שהחשמל יחזור. אנא צרו קשר עם מוקד שירות הלקוחות EGO ובדקו ו/או תקנו את המטען במידת הצורך על ידי טכנאי שירות מוסמך. אנא התקשרו למרכז שירות הלקוחות EGO לתיקון. 	<ul style="list-style-type: none"> התקע של המטען אינו מוכנס כראוי לתוך יציאת הטעינה בטרקטור. אין חשמל בשקע החשמל בקיר. תקלה במטען. יציאת המטען בטרקטור פגומה. 	לא ניתן להטעין את הטרקטור באמצעות יציאת הטעינה כשמחוון מצב הטרקטור דולק באדום יציב.
<ul style="list-style-type: none"> השתמשו במטען EGO CHV1600E לטעינת טרקטור הדשא החשמלי באופן ישיר. 	<ul style="list-style-type: none"> שימוש במתאם EGO ACA1000 לצורך טעינה דורש זמן רב. 	זמן הטעינה באמצעות יציאת הטעינה של הטרקטור ארוך מידי.
<ul style="list-style-type: none"> אפסו את המטען על-ידי ניתוק המטען והמתנה של כמה דקות. לאחר מכן חברו מחדש את התקע לאספקת החשמל. אם פעולה זו אינה פותרת את הבעיה, התקשרו למרכז שירות הלקוחות EGO. 	<ul style="list-style-type: none"> באג קשחה של טרקטור הדשא או הסוללה או כשל המטען. 	לא ניתן להטעין את הסוללות במלואן באמצעות יציאת הטעינה של הטרקטור.
<ul style="list-style-type: none"> בצעו את ההוראות בסעיף „תחזוקה כללית” כדי לנקות את הטרקטור כראוי. אם הטרקטור נחשף בטעות לגשם, אפשרו לו להתייבש באוויר הפתוח או השתמשו באוויר דחוס כדי לייבש אותו. 	<ul style="list-style-type: none"> ניקוי לא תקין, כגון מים הנכנסים לרכיבי החשמל, למסך ה-LCD וכד'. 	לא ניתן להפעיל את הטרקטור לאחר הניקוי.
<ul style="list-style-type: none"> נקו את סיפון הטרקטור לאחר כל שימוש, לפי הסעיף „שימוש ביציאת השטיפה לניקוי הסיפון”. 	<ul style="list-style-type: none"> הסיפון לא נוקה כראוי לאחר שימוש קודם. 	הסיפון נסתם במהירות.

פתרון	סיבה	בעיה
<ul style="list-style-type: none"> לחצו על מתג ה-PTO כלפי מטה כדי לנתק את מנועי הלהבים. מחוון השמע יפסיק להישמע כאשר מנועי הלהב כבויים. כוונו את דוושת בלם החניה לעמדת בלם חניה לפני שאתם משאירים את הטרקטור במדרון. 	<ul style="list-style-type: none"> הטרקטור נמצא במצב „צליעה הביתה” והלהבים אינם כבויים. הטרקטור מפסיק את נסיעתו על מדרון והמפעיל אינו יושב על המושב ואינו מעביר את דוושת בלם החניה לעמדת בלם חניה. 	מחוון השמע ממשיך להשמיע קול.
<ul style="list-style-type: none"> לא נדרשת פעולה. מחווני הסוללה ינובו כאשר הטרקטור ינובה לאחר תקופה מסוימת. עיינו בסעיף „כיבוי הטרקטור” לזמן הספציפי. כוונו את דוושת בלם החניה לעמדת בלם החניה לפני שאתם משאירים את הטרקטור במדרון. אחרת, הטרקטור עלול להחליק במורד המדרון. 	<ul style="list-style-type: none"> כאשר הטרקטור כבוי על קרקע ישרה ללא הסרת מארז/ הסוללה מהטרקטור, מחווני הסוללה יישארו מוארים למשך זמן מה. כאשר הטרקטור כבוי על מדרון ללא העברת בלם החניה למצב חניה, מחווני הסוללה יישארו פועלים עד שמטען הסוללה יתרוקן. מחוון הצפצוף ממשיך לצפצף באותו זמן. 	מחווני המתח במארזי הסוללות עדיין מוארים כאשר הטרקטור כבוי.
<p>4. מסך ה-LCD יציג „מד דלק” בלבד כאשר לחצן ההפעלה/כיבוי נלחץ בקצרה.</p> <p>5. מסך ה-LCD יופעל לאחר לחיצה מלאה על דוושת בלם החניה ולחיצה על כפתור ההפעלה/כיבוי למשך מספיק זמן בו זמנית.</p> <ul style="list-style-type: none"> הכניסו את מפתח הבטיחות ולאחר מכן לחצו באופן מלא על דוושת בלם החניה ולחצו על לחצן ההפעלה/כיבוי למשך מספיק זמן בו זמנית כדי להפעיל את מסך ה-LCD. הכניסו את מפתח הבטיחות ולאחר מכן לחצו באופן מלא על דוושת בלם החניה ולחצו על לחצן ההפעלה/כיבוי למשך מספיק זמן בו זמנית כדי להפעיל את מסך ה-LCD. 	<ul style="list-style-type: none"> זמן הלחיצה על לחצן ההפעלה/כיבוי אינו מספיק. כאשר סמל מפתח הבטיחות „” מהבהב על מסך ה-LCD, מפתח הבטיחות אינו מוכנס. כאשר סמל בלם החניה „” מהבהב על מסך ה-LCD, דוושת בלם החניה אינה לחוצה לחלוטין. 	מסך ה-LCD אינו מואר כשכל הסמלים פועלים.
<ul style="list-style-type: none"> השחילו או החליפו את להבי החיתוך לפי ההוראות במדריך זה. החליפו את להב החיתוך לפי ההוראות בסעיף „החלפת להבי החיתוך”. אזנו את סיפון הטרקטור לפי ההוראות בסעיף „איזון הסיפון”. 	<ul style="list-style-type: none"> הלהבים קהים. הלהבים מעוקמים. סיפון הטרקטור אינו מיושר, מה שגורם לגובה להב חיתוך שונה. 	הטרקטור חותך בצורה לא שווה, עם שינויי גובה שונים מקדימה לאחור.
<ul style="list-style-type: none"> בצעו את ההוראות בסעיף „איזון הסיפון” כדי לבצע כוונון אחורי קדמי נאות עבור סיפון הטרקטור והדקו בבטחה את האומים על גבי חיבור ההשעיה. בצעו את ההוראות בסעיף „הסרת הסיפון” להחלפת סיפון הטרקטור. 	<ul style="list-style-type: none"> אומי הסיפון משוחררים בקישור ההשעיה. סיפון הטרקטור פגום או בלוי באופן חמור. 	גובה חיתוך הדשא בפועל אינו מותאם לגובה המוצהר.
<ul style="list-style-type: none"> חכו עד אשר הדשא מתייבש לפני הכיסוח. הגביהו את גובה חיתוך המשטח. 	<ul style="list-style-type: none"> ישנה הצטברות של חתיכות דשא רטוב בחלק התחתון של המשטח. הטרקטור הוגדר לחתוך כמות גדולה מדי של דשא בבת אחת. 	הטרקטור איננו מבצע מלצינג כראוי.

פתרון	סיבה	בעיה
<ul style="list-style-type: none"> כדי להפעיל טרקטור זה, השתמשו במספיק סוללות EGO בהתאם להוראות בסעיף „הצמדה/הסרה של מארז הסוללה” במדריך זה. 	<ul style="list-style-type: none"> ה-Ah המשולב של הסוללות המוכנסות איננו עומד בדרישה. 	<p>טרקטור הדשא החשמלי אינו מצליח להתניע את הלהבים כאשר מתג ה-PTO מופעל.  סמל מתג ה-PTO מהבהב.</p>
<ul style="list-style-type: none"> לחצו על מתג ה-PTO כלפי מטה ואז כלפי מעלה כדי להפעיל מחדש את מנועי הלהבים. 	<ul style="list-style-type: none"> מתג ה-PTO לא נלחץ למטה כאשר הטרקטור כובה בפעם האחרונה. 	
<ul style="list-style-type: none"> הפעילו את חיתוך הדשא של הטרקטור במהירות להב נמוכה ואל תאיצו את מהירות הלהב עד שהלהבים מסתובבים בהצלחה. 	<ul style="list-style-type: none"> הטרקטור עמוס מדי ברגע שהלהבים מתחילים להסתובב, מה שמפעיל את ההגנה העצמית של מנועי הלהבים. 	
<ul style="list-style-type: none"> אחסנו תמיד את הטרקטור והסוללות בסביבה חמימה. הפעילו מחדש את הטרקטור כאשר הוא מתחמם. אל תבצעו ניסיונות חוזרים בתנאי מזג אוויר קרים חריגים מה שעשוי לפגוע במכונה. 	<ul style="list-style-type: none"> בתנאי מזג אוויר קרים באופן קיצוני, ייתכן שמנוע הלהב לא יפעל בהצלחה עקב הגנת הטמפרטורה הנמוכה. 	
<ul style="list-style-type: none"> התקשרו למרכז שירות הלקוחות EGO לתיקון. 	<ul style="list-style-type: none"> הלהב מפריע לסיפון הטרקטור המעוות. 	
<ul style="list-style-type: none"> התקינו את שק הדשא כראוי כאמור בסעיף „התקנת שק הדשא” במדריך. 	<ul style="list-style-type: none"> שק הדשא אינו מותקן כראוי. 	
<ul style="list-style-type: none"> הגדילו את גובה החיתוך של המשטח או האטו את מהירות הנסיעה כדי להפחית את העומס של הטרקטור. 	<ul style="list-style-type: none"> הטרקטור עמוס יתר על המידה. 	<p>הלהבים מפסיקים להסתובב במהלך חיתוך דשא.</p>
<ul style="list-style-type: none"> נקו את סיפון הטרקטור, וודאו שללהבים ישנו חופש תזוזה. 	<ul style="list-style-type: none"> ישנה הצטברות של דשא ואשפה על סיפון הטרקטור. 	
<ul style="list-style-type: none"> הפחיתו את העומס על הטרקטור, על ידי הרמת גובה החיתוך של הסיפון או האטו את מהירות הלהב/הנסיעה ואפשרו לטרקטור להתקרר. 	<ul style="list-style-type: none"> הטרקטור מתחמם יתר על המידה. 	
<ol style="list-style-type: none"> 1. הטרקטור אינו יכול להמשיך לפעול אם דירוג ה-Ah הכולל של הסוללה, לא כולל הסוללה שהתחממה מדי, עומד בדרישה. לאחר שהסוללה שהתחממה יתר על המידה חוזרת לטמפרטורה רגילה, היא תצטרף מיד להפעלת הטרקטור. 2. אם דירוג ה-Ah המשולב איננו עומד בדרישה, הטרקטור לא יפעל עד להכנסת מארזי סוללה נוספים לתוך רכיבי הסוללה הריקים. 3. הפחיתו את העומס על הטרקטור, על ידי הרמת גובה החיתוך של הסיפון או האטו הכיסוח כאשר אתם מפעילים אותו מחדש. 	<ul style="list-style-type: none"> ישנה התחממות יתר במארזי (י) הסוללה בתא סוללת הטרקטור הגורם לדירוג Ah משולב של כל הסוללות המוכנסות אשר איננו עומד בדרישה. 	
<ul style="list-style-type: none"> כאשר הטרקטור נמצא במצב „צליעה הביתה”, הלהבים מועברים אוטומטית למהירות סיבוב נמוכה. על המפעיל להפסיק לעבוד ולנסוע אל אזור טעינת הסוללה בהקדם האפשרי. 	<ul style="list-style-type: none"> הטרקטור נמצא במצב „צליעה הביתה”. 	
<ul style="list-style-type: none"> לחצו על מתג ה-PTO כלפי מטה ואז כלפי מעלה כדי להפעיל מחדש את מנועי הלהבים. 	<ul style="list-style-type: none"> הטרקטור פגע בחפץ זר, הגורם להגנה עצמית של המנוע. 	
<ul style="list-style-type: none"> לחצו על מתג ה-PTO למטה והפעילו מחדש את מנועי הלהב בהתאם להוראות בסעיף „כדי להפעיל (להיכנס) כיסוח לאחור”. 	<ul style="list-style-type: none"> הטרקטור נע לאחור עם הסמל כיסוח לאחור מכובה מואר על מסך ה-LCD. 	

איתור וטיפול בבעיות

פתרון	סיבה	בעיה
<ul style="list-style-type: none"> כדי להפעיל טרקטור זה, השתמשו במספיק סוללות OGE בהתאם להוראות בסעיף „הצמדה/הסרה של מארז הסוללה” במדריך זה. 	<ul style="list-style-type: none"> Ah-ה המשולב של הסוללות המוכנסות איננו עומד בדרישה. 	<p>טרקטור הדשא החשמלי לא מצליח לנסוע כאשר דושת ההאצה לחוצה.</p>
<ul style="list-style-type: none"> לחצו לחלוטין את דושת בלם החניה כדי לשחרר אותה ממצב בלם חניה. 	<ul style="list-style-type: none"> דושת בלם החניה מוגדרת למצב חניה. 	
<ul style="list-style-type: none"> לחצו על דושת בלם החניה ולאחר מכן שחררו. מחוון מצב הטרקטור יאיר בירוק, מה שאומר שהטרקטור מוכן להפעלה. 	<ul style="list-style-type: none"> מחוון מצב הטרקטור אינו דולק בירוק. 	
<ul style="list-style-type: none"> ניתן להפעיל את הטרקטור רק כאשר המפעיל יושב כראוי על המושב. 	<ul style="list-style-type: none"> המפעיל אינו יושב על המושב. 	
<ul style="list-style-type: none"> הוציאו את הסוללות מהטרקטור והרימו את גב המושב כלפי מעלה כדי לוודא שתקע הכבל מחובר כראוי לשקע בתחתית המושב (ראו סעיף „התקנת המושב”). בצעו את ההוראות בסעיף „התנעת הטרקטור” כדי להפעיל מחדש את הטרקטור כדי לראות אם ניתן להתניע את הטרקטור. אם לא, אנא התקשרו למרכז שירות הלקוחות EGO לתיקון. 	<ul style="list-style-type: none"> מערכת האינטר-לוק לבטיחות המושב אינה מחוברת כראוי. 	
<ul style="list-style-type: none"> אחסנו תמיד את הטרקטור והסוללות בסביבה חמימה. הפעילו מחדש את הטרקטור כאשר הוא מתחמם. אל תבצעו ניסיונות חוזרים בתנאי מזג אוויר קרים חריגים מה שעשוי לפגוע במכונה. 	<ul style="list-style-type: none"> בתנאי מזג אוויר קרים באופן קיצוני, ייתכן שפונקציית הנהיגה לא תפעל בהצלחה עקב הגנת הטמפרטורה הנמוכה. 	
<ul style="list-style-type: none"> בדקו והסירו את הפסולת 	<ul style="list-style-type: none"> נתיב התנועה של דושת ההאצה סתום בפסולת. 	
<ul style="list-style-type: none"> התקשרו למרכז שירות הלקוחות EGO לתיקון. דחפו/משכו את ידית בקרת הכיוון בכיוון „D” או „R”. 	<ul style="list-style-type: none"> כשל ברכיבים מכניים או אלקטרוניים של דושת המאיץ. ידית בקרת הכיוון ממוקמת במצב ניטרלי. 	
<ul style="list-style-type: none"> שחררו את דושת ההאצה ולאחר מכן לחצו עליה שוב. התקשרו למרכז שירות הלקוחות EGO לתיקון. הוציאו את הסוללות מהטרקטור והרימו את גב המושב כלפי מעלה כדי לוודא שתקע הכבל מחובר כראוי לשקע בתחתית המושב (ראו סעיף „התקנת המושב”). בצעו את ההוראות בסעיף „התנעת הטרקטור” כדי להפעיל מחדש את הטרקטור כדי לראות אם ניתן להתניע את הטרקטור. אם לא, התקשרו למרכז שירות הלקוחות EGO לתיקון. 	<ul style="list-style-type: none"> בעת מעבר בין קדימה לאחור במהלך נהיגה, ידית בקרת הכיוון נשארת במצב ניטרלי למשך זמן רב. כשל של רכיבים אלקטרוניים של דושת המאיץ. מערכת האינטר-לוק לבטיחות המושב נותקה במהלך נהיגה בשטח קשה. 	<p>טרקטור הדשא החשמלי מפסיק לנסוע.</p>
<ol style="list-style-type: none"> 1. שבו על המושב כראוי, לחצו לחלוטין על דושת בלם החניה ושחררו אותו, ואז הטרקטור מוכן לנהיגה. 2. נתקו וחברו שוב את הסוללות במידת הצורך. 	<ul style="list-style-type: none"> משקל המפעיל אינו מתחלק באופן שווה על המושב. משקל המפעיל על המושב חייב להיות לפחות 02 ק"ג כדי שמערכת האינטר-לוק לבטיחות המושב תתפקד כראוי. 	
<ul style="list-style-type: none"> בצעו את ההוראות בסעיף „התנעת הטרקטור” על מנת להתניע מחדש את הטרקטור. 	<ul style="list-style-type: none"> דושת בלם החניה לחוצה מספיק אך לא נעולה במצב חניה, הטרקטור יעצור. 	

תחזוקה כללית

ריקון הדשא (איור F1 – F3)

ניקוי תא הטרקטור (איור F4)

שימוש ביציאת השטיפה לניקוי הטרקטור (איור F5 – F6)

מזמזם מהיר של יציאת השטיפה	F5-2	יציאת השטיפה	F5-1
			F5-3
צינור גינה			

הודעה: בסיום הניקוי, כבו את הטרקטור לחלוטין ולאחר מכן הסירו את צינור הגינה ואת המזמזם המהיר.

תחזוקת סיפון הטרקטור ולהבי החיתוך

הכנה (איור G1)

הסרת הסיפון (איור G2 – G3)

כבל המנוע	G2-2	פיץ פציל	G2-1
			G2-3
חיבור ההשעיה			

החלפת להבי החיתוך (איור G4 - G6)

מייצב	G4-1	G5-1	בריח
דסקית	G5-2	G5-3	להב
גליל	G5-4	G5-5	מוט מנוע

איזון הסיפון

א. מתי לאזן (איור G7 / איור G8 / איור G9)

ב. לפני האיזון

- בדיקת הלחץ בגלגל הקר (איור G10)
- בדקו את להבי החיתוך. הסירו והחליפו להבים בלויים, סדוקים ו/או עקומים לפי הצורך.

ג. הכנה לפילוס (איור G11)

ד. כיצד לאזן

- כיוון מצד לצד (איור G12)
- כיוון מקדימה לאחור (איור G13)

אחסון והעברה

הובלת הטרקטור (איור H1 – H5)

מישורים	H2-1	H2-2	רצועות
---------	------	------	--------

הודעה: אבטחו את הטרקטור לפי הצורך, באמצעות רצועות או כבלים כדי למנוע תזוזה הזמן ההובלה.

אחסון (איור I1 – I2)

הודעה: הסירו ואחסנו את מארזי הסוללות בנפרד, עיינו במדריכים המתאימים.

נקו ובדקו את המכסחה לפני האחסון, עיינו בסעיפים „תחזוקה כללית” ו-”לוחות זמני תחזוקה מומלצים”.

הגנה על הסביבה

WEEE (זריקה של ציוד חשמלי ואלקטרוני) - אין לזרוק ציוד חשמלי, מטעני סוללות וסוללות ביחד עם אשפה ביתית! יש לקחת מוצר זה למרכז מחזור מוסמך ולוודא שהוא זמין לאיסוף נפרד. יש להחזיר כלים חשמליים אל מתקן מחזור ידידותי לסביבה.



לוחות זמני תחזוקה מומלצים

מרווחי הזמן לביצוע שירותי תחזוקה	הליך התחזוקה
לפני כל שימוש או מידי יום	<ul style="list-style-type: none"> בדוק את מערכת מנעולי הבטיחות המשולבים. בדקו ויזואלית את הצמיג כדי לראות האם הוא מנופח. בדקו את הלהבים. בדקו את כל המוצר לאיתור חלקים ניזוקים, משוחררים או חסרים, כגון צינור הפליטה הצדדי, ברגים, אומים, בריחים, מכסים וכו' וודאו שכל המגנים נמצאים במקומם ופועלים כראוי. בדקו וודאו שניתן ללחוץ ולשחרר את דוושת המאיץ כראוי. בדקו את בולמי הזעזועים של ההגה. יש לחוש בהתנגדות מסוימת בעת סיבוב ההגה.
לאחר כל שימוש	<ul style="list-style-type: none"> נקו את הטרקטור ושטפו את הסיפון.
כל 25 שעות	<ul style="list-style-type: none"> בדקו את לחץ הצמיג.
כל 100 שעות	<ul style="list-style-type: none"> בדקו את הגלגלים האחוריים, וודאו שכל בריחי הזיזים מהודקים במומנט המומלץ (103-101 Nm). בדקו את הגלגלים הקדמיים, וודאו שהבריח מהודק במומנט המומלץ (92-90 Nm).
כל 200 שעות	<ul style="list-style-type: none"> בדקו את הגלגלים הקדמיים וודאו שה מסתובבים בחופשיות.
כל חצי שנה	<ul style="list-style-type: none"> בדקו את דוושת בלם חניה. הסירו את הסוללה מהטרקטור, ואז משכו את ידיית נעילת בלם החניה ולחצו על דוושת בלם החניה כדי להגדיר את בלם החניה. דחפו ידינית את הטרקטור קדימה כדי לראות האם ניתן להזיז את הטרקטור מבלי שהגלגלים האחוריים יסתובבו. אם הטרקטור זז והגלגלים האחוריים מסתובבים, אנא צרו קשר עם מוקד שירות הלקוחות EGO לתיקון.
לפני אחסון	<ul style="list-style-type: none"> הסירו את מארז הסוללה מהטרקטור. הסירו את מפתח הבטיחות מהטרקטור. בצעו את כל הליכי התחזוקה המפורטים לעיל ונקו ביסודיות את הטרקטור. בדקו את כל המוצר לאיתור חלקים ניזוקים, משוחררים או חסרים, החליפו או הדקו את הנדרש, לפני האחסון.
מידי שנה	<ul style="list-style-type: none"> שמנו את שרוליי הפיר של הגלגלים הקדמיים.

הערה: אם דוושת בלם החניה נלחצת, הטרקטור יעצור אך סמל "⚠" יבהבה במסך ה-LCD כדי לציין שה-CCS נמצא במצב המתנה. במקרה זה, שחררו את דוושת בלם החניה, לחצו על כפתור CCS. הטרקטור יחזור לנסוע באופן אוטומטי והסמל "⚠" יפסיק להבהב.

הפעלת להבים בזמן נסיעה לאחור

הודעה: כיסוח לאחור אינו מומלץ.

⚠ אזהרה: יש לנקוט משנה זהירות בעת כיסוח לאחור. הקפידו תמיד שלא ייכנסו אנשים לאזור העבודה, במיוחד ילדים קטנים לפני ובזמן כיסוח לאחור.

⚠ אזהרה: הראות של המפעילים עלולה להיפגע בעת הפעלת הטרקטור המחובר לערכת השק. תמיד יש להתנהג בזהירות רבה ולהכיר את הסביבה לפני ותוך כדי כיסוח לאחור.

כדי להפעיל (להיכנס) כיסוח לאחור (E23)

כדי לעצור (לצאת) כיסוח לאחור, תוכלו לבחור באחת מארבע דרכים:

- לחצו על לחצן כיסוח לאחור פעם אחת.
- הרימו את עצמכם ממושב הטרקטור.
- לחצו על לחצן ההפעלה/עצירה למשך 3 שניות כדי לכבות את מסך ה-LCD.
- הסירו את מפתח הבטיחות או הסירו את מארזי הסוללות כדי לכבות את הטרקטור.

הערה: כאשר הכיסוח לאחור מופסק, סמל "⚠" יואר על מסך ה-LCD.

ריקון שק הדשא (איור E24)

הערה: כאשר סמל "⚠" מהבהב על מסך ה-LCD, שק הדשא מלא. לאחר ריקון השק, סמל "⚠" ייעלם ממסך ה-LCD.

הערה: יש להחליף את שק הדשא כראוי בטרקטור, אחרת, ניתן לנהוג בטרקטור אך לא ניתן להפעיל את מנועי הלהב.

תחזוקה

⚠ אזהרה: ענדו תמיד משקפי בטיחות עם הגנה צדדית. אם לא תעשו זאת עצמים עלולים להיזרק אל תוך העיניים שלכם ועלולה להיגרם פציעה חמורה.

⚠ אזהרה: הגנו תמיד על הידיים שלכם על ידי לבישת כפפות מוצקות או עטיפה של הקצוות החותכים בעזרת מטליות או חומרים אחרים בעת ביצוע כל פעולת תחזוקה בלהב הטרקטור. הסירו תמיד את מארזי הסוללה בעת ביצוע תיקונים או הובלה של הטרקטור.

הערה:

- אם דוושית בלם החניה מוגדרת במצב בלם חניה, עליכם ללחוץ רק על לחצן ההתנעה/עצירה למשך 3 שניות כדי להאיר את מסך ה-LCD ולאחר מכן לשחרר את דוושית בלם החניה לפני הנהיגה בטרקטור.
- ניתן להפעיל את להבי החיתוך בכל עת לאחר שמסך ה-LCD מואר במלואו וידיית בקרת הכיוון אינה נמשכת לאחור בכיוון "R". כדי להפעיל את הלהבים בעת נהיגה בטרקטור לאחור, עיינו בסעיף "הפעלת הלהבים בעת נסיעה לאחור" במדריך זה.

הודעה: בצעו את המתואר באיור E17 כדי להשיג את מהירות הנסיעה הנמוכה ביותר עד שתהיו מסוגלים לגמרי להפעיל את הטרקטור בכל מצב.

טרקטור הדשא החשמלי אינו זוכר את הגדרות מהירות הנסיעה ואת הגדרות מהירות הלהב. מהירות הנסיעה ומהירות הלהב תחזרנה לרמה 2 בכל פעם שהטרקטור כבוי.

כוונון מהירות נסיעה (איור E17)

כוונון מהירות הלהב (איור E18)

הערה: כאשר אתם נמצאים ב"רמה 3", לחצו שוב על לחצן התאמת מהירות הלהב ומהירות הלהב תחזור למהירות הקודמת.

נוריות לד (איור E19)

- ניתן להדליק ולכבות את פנסי הלד הקדמיים באמצעות מתג תאורת הלד.

יציאת USB

הודעה: יציאת ה-USB מספקת טעינה של 5 וולט DC עד למשיכה כוללת של 1.5 אמפרים והיא מופעלת רק כאשר הטרקטור פועל.

עצירת הטרקטור (איור E20)

אזהרה: יש לכוון תמיד את דוושית בלם החניה למצב בלם חניה כאשר הטרקטור מפסיק לנסוע במדרון, אחרת הטרקטור עלול להחליק במורד המדרון, מה שעלול לגרום לנזק חמור לטרקטור או לפגיעה גופנית!

הערה: במצב שבו דוושית בלם החניה מוגדרת למצב בלם חניה והמפעיל יורד מהמושב, אבל מארזי הסוללה אינם מוסרים:

- במקרה שמסך ה-LCD כבוי, מחווני הסוללה, לחצן ההפעלה/עצירה ולחצן CCS יישארו מוארים למשך שעה אחת.
- במקרה שמסך ה-LCD מציג את "מד הדלק" או את ממשק המפעיל, הטרקטור יכבה אוטומטית לאחר שעה.

מצב „צליעה הביתה”

כאשר מצב הסוללה הופך לנמוך באופן קריטי, הטרקטור יעבור למצב „צליעה הביתה” כדי לשמר מספיק כוח כדי לחזור לאזור הטעינה.

- הלהבים עוברים למהירות סיבוב נמוכה, שיכולה לחתוך רק מעט מאוד דשא. כאשר הם יתקלו בדשא גבוה וצפוף, הלהבים יפסיקו להסתובב. מחוון השמע יישמע (יצפצף) לסירוגין.
- מחוון מצב הטרקטור יבהבה באדום בכל שנייה, סמל ההתראה (מתח נמוך) והסמל של כל תא סוללות תפוס יבהבו.

על המפעיל:

- לחצו על מתג ה-PTO כלפי מטה כדי לכבות את מנועי הלהבים. מחווני השמע ישתתק כאשר מנועי הלהב יעצרו.

- הפסיקו לעבוד והגיעו לאזור הטעינה בהקדם האפשרי. המרחק המרבי שהטרקטור יכול לנסוע הוא 0001 מטר.

כאשר הסוללה כמעט ריקה, סמל ההתראה (מתח נמוך) והסמל של כל תא סוללות תפוס יבהבו מידי חצי שניה. הטרקטור יפסיק לעבוד מיד. המפעיל יצטרך להעביר את הטרקטור לאזור טעינת הסוללה לצורך טעינתו.

הודעה: אם נדרשת דחיפה ידנית, הקפידו לוודא שהסוללות מנותקות מהטרקטור ודוושית בלם החניה משוחררת ממצב בלם החניה.

נהיגה בטרקטור (איור E21)

אזהרה: שמרו על מרחק של רוחב כיסוח כפול, לכל הפחות, משוחות, שוליים או מים. הגלגלים הקדמיים יכולים להסתובב כאשר הטרקטור עצר, אפילו כאשר הבלם מופעל, ולגרום לטרקטור לעבור את הקצה או להיכנס למים ולגרום למוות או לפגיעה חמורה.

אזהרה: אין להפעיל את הטרקטור בדרכים ציבוריות.

אזהרה: אם מתרחשת חסימה או שאתם פוגעים בחפץ זר, עצרו את המנועים והוציאו את הסוללות. הוציאו את גזם הדשא, העלים, הלכלוך וכל פסולת אחרת שהצטברה, בדקו בעיון את הטרקטור לאיתור נזק ותקנו את הנזק לפני הפעלה מחודשת ותפעול של הטרקטור.

הערה:

- במהלך הנהיגה, כאשר אתם עוזבים את המושב, מחוון מצב הטרקטור יכבה. כאשר חוזרים לנהוג שוב, הישענו לאחור על המושב ולחצו לחלוטין על דוושית בלם החניה כדי לגרום למחוון מצב הטרקטור להאיר בירוק.
- בעת מעבר בין קדימה לאחור במהלך נסיעה, הזיזו את ידיית בקרת הכיוון ישירות מקצה לקצה מבלי לעצור במצב ניטרלי, אחרת הטרקטור עלול להפסיק לנוע.

שימוש בבקרת שיוט (CCS)

כדי להפעיל (להיכנס) את בקרת השיוט (CCS)

(איור E22)

הערה: ייתכן שרמת מהירות הנהיגה המוצגת על מסך ה-LCD אינה מייצגת במדויק את מהירות הנהיגה בפועל של הטרקטור בבקרת שיוט. לחצו על לחצן כונון המהירות כדי "לרענן" את רמת מהירות הנסיעה במסך LCD.

כדי לעצור (לצאת) את בקרת השיוט (CCS), ניתן לבחור באחת משלוש דרכים:

- לחצו על דוושית ההאצה לאורך כל הדרך והמשיכו ללחוץ. פונקציית CCS תיעצר והטרקטור ימשיך בנסיעה.
- לחצו קלות על דוושית המאיץ ואז שחררו אותה. הטרקטור ופונקציית CCS יפסיקו.
- לחצו על לחצן בקרת השיוט. הטרקטור ופונקציית CCS יפסיקו.

הערה: כאשר CCS מופסק, סמל "CCS" ייעלם ממסך ה-LCD וצפוף יישמע פעמיים.

כוונון

לפני הכוונון (איור D1)

כיוונון גובה משטח החיתוך (איור D2)

כוונון הגלגלים למניעת גיזום (איור D3 – D6)

D3-1	גלגלים למניעת גיזום	D5-1	אום
D5-2	בריח משיכה	D6-1	תווית גובה המשטח

כיוונון המושב (איור D7)

D7-1	ידית כיוונון מצב המושב
------	------------------------

הפעלה

לפני ההפעלה (איור E1)

הגדרת בלם החניה (איור E2)

E2-1	עמדת בלם חניה	E2-2	מצב שחרור
------	---------------	------	-----------

⚠ אזהרה: דושת בלם החניה אינה יכולה להאט את מהירות הנסיעה. לעולם אל תנסו ללחוץ על דושת בלם החניה כדי להאט את מהירות הנסיעה במהלך הנהיגה. כאשר דושת בלם החניה נלחצת אך אינה במצב בלם חניה, הבלם החשמלי כבר לא יעיל והטרקטור יפסיק לנוע על משטח שטוח. אך אם הדבר קורה במדרון, הטרקטור עשוי להחליק במורד המדרון לאחר שחרור דושת בלם החניה.

⚠ אזהרה: משכו את ידית נעילת בלם החניה ולחצו מיד על דושת בלם החניה כדי להפעיל אותה במצב בלם החניה במקרה חירום, הטרקטור יעצור מיד ולא יחליק במורד המדרון.

הצמדה / הסרה של מארז הסוללה (איור E3 – E6)

על מנת להפעיל טרקטור זה, נדרשות סוללות EGO של 15AH בסה"כ (2 X BA4200/BA4200T) או יותר. לביצועים מיטביים, אנו ממליצים להשתמש בסוללות EGO של 30AH סה"כ, או יותר.

E3-1	כפתור שחרור מכסה	E5-1	כפתור שחרור הסוללה
------	------------------	------	--------------------

טעינת הטרקטור

השתמשו רק במארזי הסוללה ובמטענים המומלצים.

טענו את מארזי הסוללות בנפרד (איור E7)

הודעה: עיינו במדריכי הסוללה והמטען המתאימים לקבלת הוראות מפורטות.

טענו את מארזי הסוללות באמצעות יציאת הטעינה (איור E8 - E10)

E10-1	מכסה אבק	E10-2	יציאת טעינה
-------	----------	-------	-------------

בדיקת מערכת מנעולי הבטיחות המשולבים.

א. לבדיקת מערכת להב המשטח (איור E11 – E12)

ב. לבדיקת את מערכת הנהיגה (איור E13 – E14)

אם מערכת להב המשטח ו/או מערכת הנהיגה אינה עוזרת כאשר המפעיל אינו על המושב ואם לא ניתן לקבוע את הסיבה לכך לאחר אישור שחיבור התקע והשקע של המושב מחוברים היטב, יש לפנות מיד אל מרכז שירות הלקוחות EGO.

טכנולוגיית תקשורת

למידע או עבור המגוון המלא של המוצרים והשירותים המחוברים שלנו, כולל הוראות חיבור, אנא סרקו את קוד ה-QR למטה או בקרו בכתובת www.egopowerplus.eu/connect



רשימת פעולות לביצוע לפני ההפעלה

- וודאו שאזור העבודה פנוי מילדים, עוברי אורח ובעלי חיים.
- פנו את אזור העבודה מפריטים שעשויים להיות מושלכים על ידי להבי הטרקטור.
- נקו את הפסולת מהטרקטור.
- בדקו אם יש מחברים רופפים.
- בדקו כדי לוודא שכל המגנים קיימים ועובדים כראוי.
- בדקו ויזואלית את הצמיג כדי לראות האם הוא מנופח.
- בדקו את פעולת הבלם.
- התאימו את גובה המשטח למצב החיתוך הרצוי המתאים ביותר למדשאה, וכווננו את הגלגלים למניעת גיזום בהתאם.
- התאימו את מצב המושב וודאו שניתן להגיע לשתי הדוושות.
- ודאו את רמת הטעינה של הסוללה.
- בדקו את מערכת מנעולי הבטיחות המשולבים.
- ודאו ששק הדשא מותקן כראוי.

התנתעת הטרקטור (איור E15 – E16)

⚠ אזהרה: הימנעו מהפעלות, עצירות וסיבובים פתאומיים, כמו גם ממהירויות חריגות, בייחוד כאשר מתחילים ללמוד להפעיל את הטרקטור. הטרקטור יכול להסתובב סביב עצמו במהירות, מה שעלול לגרום לכם לאבד שליטה ולגרום לפציעה חמורה ו/או לנזק.

⚠ אזהרה: לפני הפעלת הטרקטור, בדקו וודאו שלהבים מנותקים בתוך 5 שניות לאחר לחיצה על מתג ה-PTO כלפי מטה. אם הלהבים אינם נעצרים, אין להשתמש בטרקטור ויש לפנות מיד לשירות הלקוחות של EGO.

B-9	ברגי M12 (1 לגיבוי)	B-10	דסקיות (1 לגיבוי)
B-11	מפתח בטיחות	B-12	מצמד מהיר עבור יציאת השטיפה
B-13	מדריך למפעיל	B-14	שק דשא (עם שני סטים של בורג ואום עבור סוגרים צדדיים)
B-15	סוגר בצורת U	B-16	סוגר צדדי
B-17	דושת נטייה	B-18	סוגר תמיכה שמאלי וימני עבור השק
B-19	מוט הצלבה	B-20	בורג M8X40
B-21	בורג M8X25	B-22	אום M8

- 26. לחצן כיסוח לאחור
- 27. לחצן הפעלה/כיבוי
- 28. דושת בקרת כיוון
- 29. מפתח בטיחות
- 30. מתג PTO
- 31. לחצן CCS
- 32. לחצן נורית לד / לחצן Bluetooth
- 33. לחצן כוונן מהירות נסיעה
- 34. לחצן שחרור מכסה יחידת הכוח
- 35. מכסה יחידת כוח
- 36. יחידת כוח עם שישה תאי סוללה
- 37. כפתור שחרור סוללה

הכירו את מסך ה-LCD (איור A2)

עינו בסעיף „הפניה למצב הטרקטור” ו-”הפניה לקוד תקלה” למידע נוסף על הסמלים והמחוננים במסך ה-LCD.

הרכבה

התקנת ההגה (איור C1)

C1-1	מוט היגוי	C1-2	הגה
C1-3	קו מרכזי	C1-4	דסקית
C1-5	אום	C1-6	מפתח זקוף של 18 מ"מ
C1-7	מכסה אבק		

התקנת המושב (איור C2)

⚠ אזהרה: אין לנתק או לעקוף את מערכת המנעולים המשולבים. פעולה זו יכולה לגרום לטרקטור לפעול בפתאומיות, מה שיכול לגרום לפציעה גופנית.

C2-1	מושב	C2-2	אום (M8)
C2-3	בורג צעד	C2-4	שקע
C2-5	תקע		

התקנת שק הדשא (איור C3 – C8)

C3-1	סוגר בצורת U	C3-2	שק
C3-2	4 סטים של ברגים ואומים (M8 X 40)	C3-4	בורג שילוב
C4-1	סוגרים צדדיים	C4-2	4 סטים של ברגים ואומים (M8 X 40)
C4-3	בורג שילוב	C5-1	דושת נטייה
C5-2	סט אחד של בורג ואום (M8 X 40)	C5-3	בורג שילוב
C6-1	סוגרים לתמיכה עבור השק	C6-2	4 סטים של ברגים ואומים (M8 X 25)
C6-3	ברגי שילוב	C7-1	מוט הצלבה
C7-2	2 אומים (M8)	C7-3	בורג שילוב

- 1. סמל CCS
- 2. מחוון סטטוס התקן אבטחה
- 3. סמל כיסוח לאחור מכובה
- 4. סמל נסיעה
- 5. סמל הפוך
- 6. סמל מפתח בטיחות
- 7. סמל פנסי לד
- 8. אייקון Bluetooth
- 9. אינדיקטור להב
- 10. מונה שעות
- 11. מד דלק
- 12. סמל טמפרטורה
- 13. סמל התראה (עומס יתר/מתח נמוך)
- 14. סמל תא סוללה פנוי
- 15. סמל תא סוללה מלא
- 16. מחוון קוד תקלה
- 17. אינדיקטור עומס
- 18. אינדיקטור מהירות נסיעה
- 19. סמל שק מלא
- 20. סמל ללא שק

הוצאה מן האריזה

הודעה: שמרו את חומרי האריזה עד שתבדוק ותפעיל בהצלחה את המוצר. אם חלקים כלשהם ברשימת האריזה מורכבים על המכונה פנה מיד אל השירות של EGO.

הודעה: מלבד הכלים המפורטים ברשימת האריזה להלן, כל שאר הכלים המפורטים במדריכים הם מומלצים בלבד אך אינם מצורפים לאריזה.

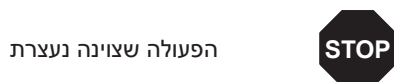
רשימת אריזה (איור B)

B-1	טרקטור דשא חשמלי	B-2	מושב
B-3	הגה	B-4	מכסה אבק
B-5	ברגי שילוב	B-6	מפתח זקוף של 18 מ"מ
B-7	ברגי צעד (1 לגיבוי)	B-8	ברגי M8 (1 לגיבוי)

HE

מטרים	m	וולט	V
סנטימטרים	cm	אינץ'	in
מילימטרים	mm	ניוטון-מטר	Nm
קילוגרם	kg	צלזיוס	°C
רמת הגנת כניסה	IPX4	ק"מ לשעה	km/h

הסמלים במדריך זה



אביזרים מומלצים

⚠ אזהרה: השתמשו רק באביזרים המפורטים להלן. שימוש באביזרים אשר לא מתאימים למפרטים של הציוד המקורי עלולים להוביל לביצועים לא מתאימים ולפגוע בבטיחות הציוד.

שם חלק	מספר דגם
סט להבי אוסף	AB3801TD
פקק מלצינג	AMP3800T

תיאור

הכירו את הטרקטור (איור A1)

1. מושב
2. מחזיקי כוסות
3. גלגל אחורי (גלגל נסיעה) (x2)
4. יציאת שטיפה (x2)
5. משטח
6. גלגל למניעת גיזום (x2)
7. גלגל קדמי (x2)
8. פגוש קדמי
9. דווש בלם חניה
10. פנס לד קדמי (x2)
11. יחידת כח
12. תא אחסון
13. דווש נעילת בלם חניה
14. הגה
15. ידית כיוון מצב המושב
16. שק דשא
17. יציאת טעינה
18. יציאת USB
19. סל אחסון
20. דווש האצה
21. דווש כיוון גובה משטח
22. דווש נטייה
23. ידית
24. מחוון מצב הטרקטור
25. לחצן כוון מהירות להב

מפרטים

וולט	56V	
גודל משטח	98 ס"מ	
גודל גלגל	קדמי	6 – 15 × 6 אינץ'
	אחורי	7.5 × 18 – 8 אינץ'
לחץ גלגל קר	קדמי	96.5 kPa
	אחורי	170 kPa
מהירות להב (סל"ד)	עד 3000	
מהירות נסיעה מרבית	קדימה	עד 9.6 קמ"ש
	אחורה	עד 4.8 קמ"ש
כיוון גובה חיתוך (12 מצבים)	25 עד 100 מ"מ	
טווח טמפרטורת טעינה	5°C עד 40°C	
טמפרטורת הפעלה	0°C עד 40°C	
טמפרטורת אחסון	-20°C עד 70°C	
משקל (ללא מארז סוללה)	220 ק"ג	
רמת עוצמת קול נמדדת L _{WA}	97.7 dB(A) 1.75=K	
רמת לחץ קול באוזן המפעיל L _{PA}	83.6 dB(A) 3=K	
רמת עוצמת קול מובטחת L _{WA} (בהתאם ל-2000/14/EC)	100 dB(A)	
רטט a _h	יד	0.24 m/s ² 1.5=K
	גוף	0.18 m/s ² 1.5=K

- ערך הרטט הכללי המוצהר נמדד בהתאם לשיטת בדיקה סטנדרטית וניתן להשתמש בו על מנת להשוות ציוד אחד עם ציוד אחר;
- ניתן להשתמש בערך הרטט הכללי המוצהר בהערכה ראשונית של חשיפה.

הודעה: פליטת הרטט בעת השימוש המעשי בכלי יכולה להיות שונה מן הערך המוצהר כאשר הכלי נמצא בשימוש; על מנת להגן על המפעיל, על המשתמש ללבוש כפפות ומגני אוזניים בעת השימוש למעשה.

אנא קראו את כל ההוראות!

קראו את המדריך למשתמש



סמל בטיחות

מטרתם של סימני הבטיחות היא למשוך את תשומת לבכם אל סכנות אפשריות. סמלי הבטיחות וההסברים שלהם דורשים את תשומת הלב וההבנה המלאות שלך. סימני הבטיחות בעצמם לא ימנעו כל סכנה. ההוראות והאזהרות אותן הם מספקים לא תחלפנה נקיטת אמצעי מניעה מתאימים בעת תאונה.

אזהרה: ודאו שאתם קוראים ומבינים את כל הוראות הבטיחות המופיעות במדריך זה למשתמש, כולל את כל סימני התראות הבטיחות כגון „סכנה“, „אזהרה“ ו-„זהירות“ לפני השימוש במכשיר זה. אי מילוי אחר כל ההוראות המופיעות למטה יכול לגרום להלם חשמלי, שרפה ו/או פציעות אישיות חמורות.

פירוש הסימן

עמוד זה מציין ומתאר את סימני הבטיחות העשויים להופיע על גבי המוצר. קראו, הבינו ועקבו אחר ההוראות המופיעות על המכשיר לפני כל ניסיון להרכיב ולהשתמש בו.

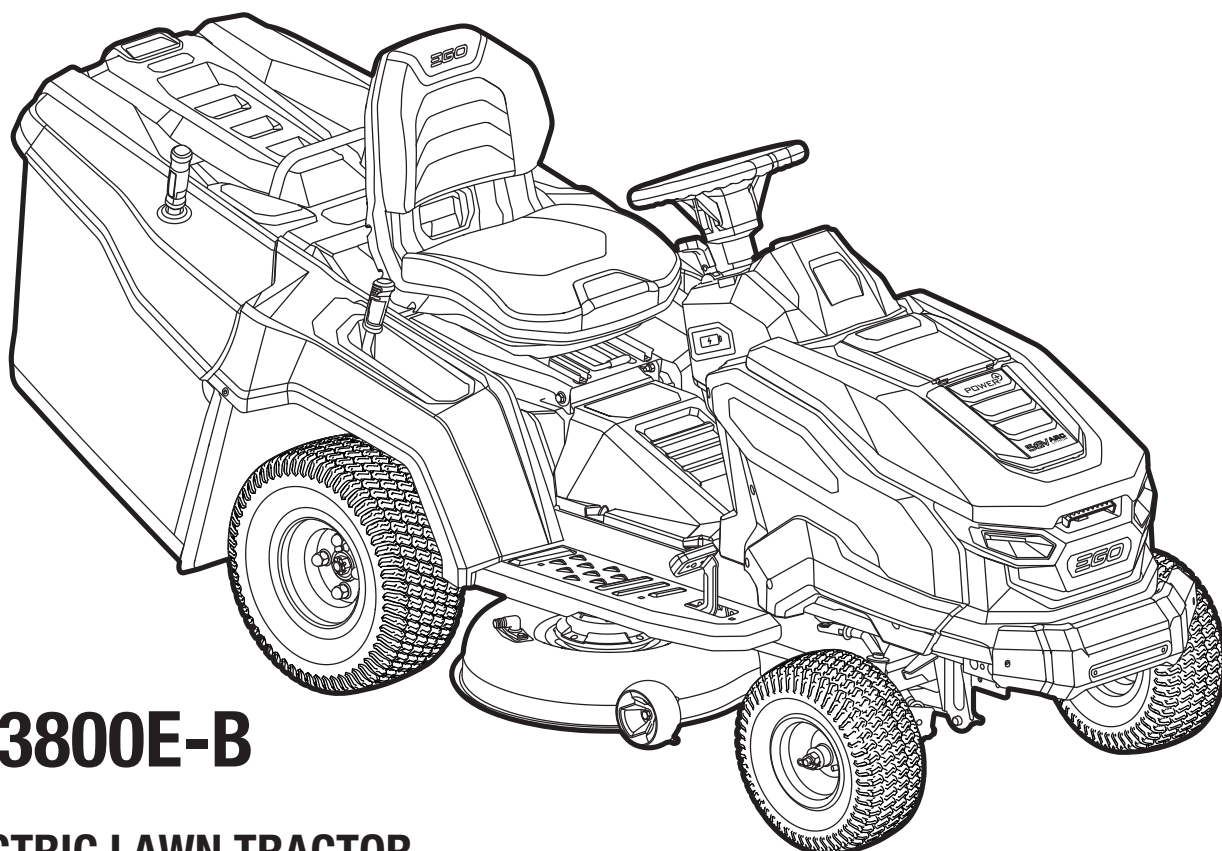
סמלי בטיחות

קראו והבינו את המדריך למפעיל		התראת בטיחות	
שמרו על התקני הבטיחות		מגני עיניים	
סכנה - הרחיקו עוברי אורח מהלהבים		סכנה - סכנת מדרון תלול	
הסתכלו אחורה כאשר אתם נוסעים לאחור.		לעולם אין להרכיב ילדים	
סכנה - חפצים מושלכים		אזהרה - אין להשתמש במכשיר זה במדרונות עם זווית גדולה מ-12°	
רמת עוצמת קול מובטחת. בהתאם לתקנת האיחוד האירופי.		אזהרה - הרחיקו ידיים ורגליים	
אין לזרוק מוצרים חשמליים עם האשפה הביתית. יש להביא את המכשיר למרכז מחזור מוסמך.		אין לדרוך	
זהירות - אין להביט ישירות על נורת ההפעלה.		מוצר זה תואם לתקנות ה-EC הרלוונטיות	
מוצר זה תואם לחוקים הרלוונטיים בבריטניה.		זרם ישיר	
סיבובים לדקה	סל"ד	קילו-פסקל	kPa

HE

EGO™

POWER⁺ TRACTOR



TR3800E-B

ELECTRIC LAWN TRACTOR

טרקטור דשא חשמלי

HE

جرار العشب الكهربائي

AR

