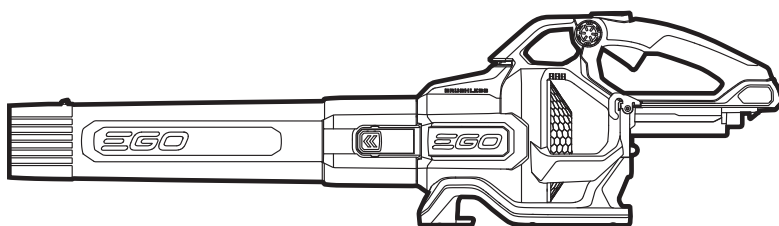


EGO™

POWER⁺ BLOWER

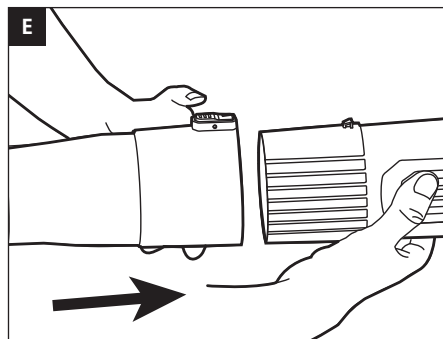
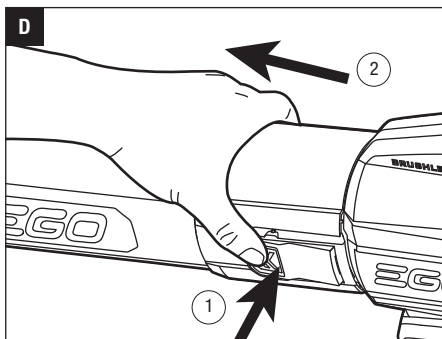
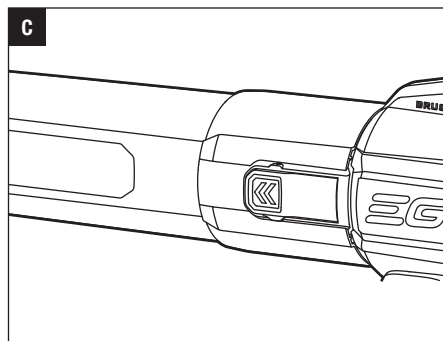
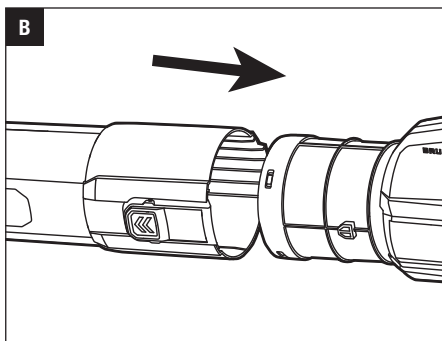
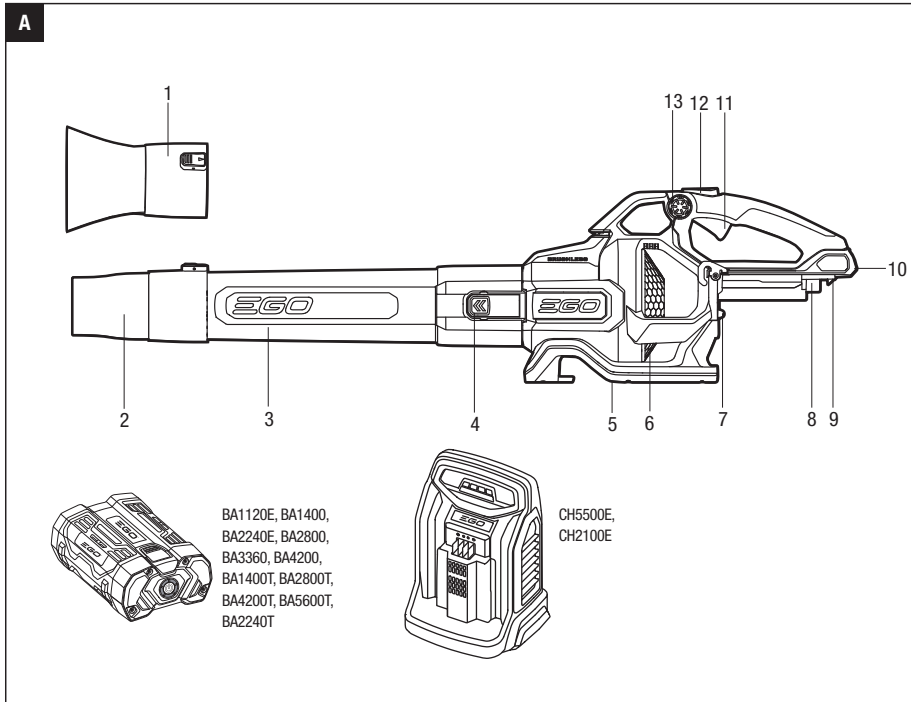


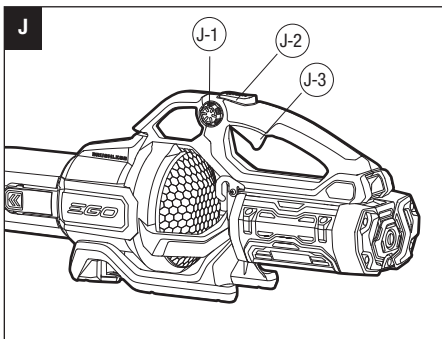
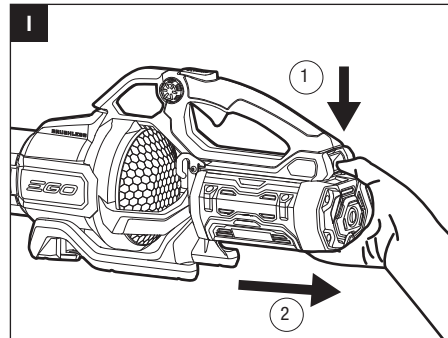
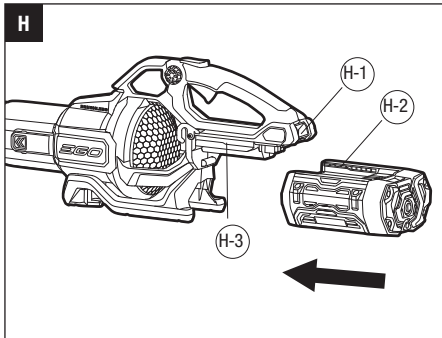
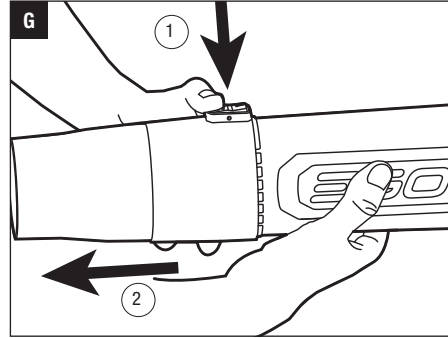
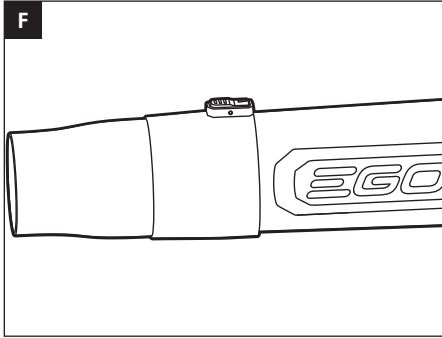
OPERATOR'S MANUAL

56 VOLT LITHIUM-ION CORDLESS BLOWER

MODEL NUMBER LB5800E

EN	56 Volt lithium-ion cordless blower	4	LT	Belaidis pūtiklis 56 voltų ličio jonų akumulatoriumi	158
DE	Akku-laubbläser (56-volt)	12	LV	56 voltu litija jonu bezvadu pūtējs	166
FR	Souffleur sans fil lithium-ion 56 v	21	GR	Ασύρματος φσητήρας 56 Volt λιθίου - ιόντων	174
ES	Soplador inalámbrido con acumulador de ion de litio de 56 v	30	TR	56 Volt lityum-iyon kablosuz üfleycici	183
PT	Soprador a bateria 56 volts de ião e lítio	39	ET	56-voldise liitiumioonakuga akutoitel õhusuud	191
IT	Soffiatore a batteria li-ion 56 volt	48	UK	56-вольтна літій-іонна акумуляторна повітродувка	199
NL	56 volt lithium-ion accubladblazer	57	BG	56 волта литиево-йонна безкабелна въздуходувка	208
DK	56 volt lithium-ion ledningsfri løvblæser	66	HR	Baterijsko puhalo s 56 voltnom I litij-ionskom baterijom	217
SE	56 Volts litium-jonbatteri sladdlös lövblås	74	KA	56 ვოლტის ლითონ-იონის აკუმულატორიანი უსადენო ელექტრო საბერველა	225
FI	56 Voltin litiumioniakulla akkupuhallin	82	SR	Bežični duvač sa litijum-jonskom baterijom od 56 volti	237
NO	56 volt lithium-ion løvblæser uten ledning	90	BS	Akumulatorski puhač lišća s litij-ionskom baterijom od 56 V	245
RU	Беспроводная воздуходувка с литий-ионным аккумулятором 56 в	98	HE	מפוח אלחוטי עם סוללת ליתיום-יון 56 וולט	254
PL	Dmuchawa bezprzewodowa z baterią litowo-jonową 56 woltów	107	AR	منفاخ لاسلكي ببطارية الليثيوم-أيون 56 فولت	262
CZ	56voltový lithium-iontový bezdrátové dmychadlo	116			
SK	56 v litium-iónové bezdrátové dmychadlo	124			
HU	56 voltos vezeték nélküli lítium-ion lombfúvó	132			
RO	Suflantă fără fir cu acumulator de Litiu Ion de 56 Volți	143			
SL	56-voltni litij-ionski brezžični puhalnik	150			





EN READ ALL INSTRUCTIONS!

READ OPERATOR'S MANUAL

NOTICE: These instructions shall also be available in an alternative format, e.g. on a website.

⚠ Residual risk! People with electronic devices, such as pacemakers, should consult their physician(s) before using this product. Operation of electrical equipment in close proximity to a heart pacemaker could cause interference or failure of the pacemaker.

⚠ WARNING: To ensure safety and reliability, all repairs and replacements should be performed by a qualified service technician.

SAFETY SYMBOLS

The purpose of safety symbols is to attract your attention to possible dangers. The safety symbols and the explanations with them deserve your careful attention and understanding. The symbol warnings do not, by themselves, eliminate any danger. The instructions and warnings they give are no substitutes for proper accident prevention measures.

⚠ WARNING: Be sure to read and understand all safety instructions in this Operator's Manual, including all safety alert symbols such as "DANGER," "WARNING," and "CAUTION" before using this tool. Failure to following all instructions listed below may result in electric shock, fire, and/or serious personal injury.

DAMAGE PREVENTION AND INFORMATION MESSAGES

These inform the user of important information and/or instructions that could lead to equipment or other property damage if they are not followed. Each message is preceded by the word "NOTICE", as in the example below:

NOTICE: Equipment and/or property damage may result if these instructions are not followed.



⚠ WARNING: The operation of any power tools can result in foreign objects being thrown into your eyes, which can result in severe eye damage. Before beginning power tool operation, always wear safety goggles or safety glasses with side shields and a full face shield when needed. We recommend a Wide Vision Safety Mask for use over eyeglasses or standard safety glasses with side shields.

SAFETY INSTRUCTIONS

This page depicts and describes safety symbols that may appear on this product. Read, understand, and follow all instructions on the machine before attempting to assemble and operate.

	Safety Alert	Precautions that involve your safety.
	Wear Eye Protection	Always wear safety goggles or safety glasses with side shields and a full face shield when operating this product.
	Wear Ear Protection	Always wear ear protection when operating this product.
	Read Operator's Manual	To reduce the risk of injury, user must read operator's manual before using this product.
	Keep Bystanders Away	Keep all bystanders at least 15m away.
V	Volt	Voltage
A	Amperes	Current
Hz	Hertz	Frequency (cycles per second)
W	Watt	Power
min	Minutes	Time
m ³ /h	Cubic Meter Per Hour	Air volume
km/h	Kilometers Per Hour	Air velocity
	Alternating Current	Type of current
	Direct Current	Type or a characteristic of current
n ₀	No Load Speed	Rotational speed, at no load
... /min	Per Minute	Revolutions per minute

When using an electrical appliance, basic precautions should always be followed, including the following:

GENERAL POWER TOOL SAFETY WARNINGS

⚠ WARNING: READ ALL SAFETY WARNINGS, INSTRUCTIONS, ILLUSTRATIONS AND SPECIFICATIONS PROVIDED WITH THIS POWER TOOL. Failure to follow all instructions listed below may result in electric shock, fire and/or serious injury.

SAVE ALL WARNINGS AND INSTRUCTIONS FOR FUTURE REFERENCE.

The term "power tool" in the warnings refers to your mains-operated (corded) power tool or battery-operated (cordless) power tool.

WORK AREA SAFETY

- **Keep work area clean and well lit.** Cluttered or dark areas invite accidents.
- **Do not operate power tools in explosive atmospheres, such as in the presence of flammable liquids, gases or dust.** Power tools create sparks which may ignite the dust or fumes.
- **Keep children and bystanders away while operating a power tool.** Distractions can cause you to lose control.

ELECTRICAL SAFETY

- **Power tool plugs must match the outlet. Never modify the plug in any way. Do not use any adapter plugs with earthed (grounded) power tools.** Unmodified plugs and matching outlets will reduce risk of electric shock.
- **Avoid body contact with earthed or grounded surfaces, such as pipes, radiators, ranges and refrigerators.** There is an increased risk of electric shock if your body is earthed or grounded.
- **Do not expose power tools to rain or wet conditions.** Water entering a power tool will increase the risk of electric shock.
- **Do not abuse the cord. Never use the cord for carrying, pulling or unplugging the power tool. Keep cord away from heat, oil, sharp edges or moving parts.** Damaged or entangled cords increase the risk of electric shock.
- **When operating a power tool outdoors, use an extension cord suitable for outdoor use.** Use of a cord suitable for outdoor use reduces the risk of electric shock.
- **If operating a power tool in a damp location is unavoidable, use a Ground-fault circuit interrupter protected supply.** Use of GFCI reduces the risk of electric shock.

PERSONAL SAFETY

- **Stay alert, watch what you are doing and use common sense when operating a power tool. Do not use a power tool while you are tired or under the influence of drugs, alcohol medication.** A moment of inattention while operating power tools may result in serious personal injury.
- **Use personal protective equipment. Always wear eye protection.** Protective equipment such as a dust mask, non-skid safety shoes, hard hat or hearing protection used for appropriate conditions will reduce personal injuries.
- **Prevent unintentional starting. Ensure the switch is in the off-position before connecting to power source and/or battery pack, picking up or carrying the tool.** Carrying power tools with your finger on the switch or energizing power tools that have the switch on invites accidents.
- **Remove any adjusting key or wrench before turning the power tool on.** A wrench or a key left attached to a rotating part of the power tool may result in personal injury.
- **Do not overreach. Keep proper footing and balance at all times.** This enables better control of the power tool in unexpected situations.
- **Dress properly. Do not wear loose clothing or jewellery. Keep your hair, clothing away from moving parts.** Loose clothes, jewellery or long hair can be caught in moving parts.
- **If devices are provided for the connection of dust extraction and collection facilities, ensure these are connected and properly used.** Use of dust devices can reduce dust-related hazards.
- **Do not let familiarity gained from frequent use of tools allow you to become complacent and ignore tool safety principles.** A careless action can cause severe injury with a fraction of a second.

POWER TOOL USE AND CARE

- **Do not force the power tool. Use the correct power tool for your application.** The correct power tool will do the job better and safer at the rate for which it was designed.
- **Do not use the power tool if the switch does not turn it on and off.** Any power tool that cannot be controlled with the switch is dangerous and must be repaired.

- **Disconnect the plug from the power source and/ or the battery pack from the power tool before making any adjustments, changing accessories, or storing power tools.** Such preventive safety measures reduce the risk of starting the power tool accidentally.
- **Store idle power tools out of the reach of children and do not allow persons unfamiliar with the power tool or these instructions to operate the power tool.** Power tools are dangerous in the hands of untrained users.
- **Maintain power tools and accessories. Check for misalignment or binding of moving parts, breakage of parts and any other condition that may affect the power tools operation. If damaged, have the power tool repaired before use.** Many accidents are caused by poorly maintained power tools.
- **Keep cutting tools sharp and clean.** Properly maintained cutting tools with sharp cutting edges are less likely to bind and are easier to control.
- **Use the power tool, accessories and tool bits etc. in accordance with these instructions, taking into account the working conditions and the work to be performed.** Use of the power tool for operations different from those intended could result in a hazardous situation.
- **Keep handles and grasping surfaces dry, clean and free from oil and grease.** Slippery handles and grasping surfaces do not allow for safe handling and control of the tool in unexpected situations.

BATTERY TOOL USE AND CARE

- **Recharge only with the charger specified by the manufacturer.** A charger that is suitable for one type of battery pack may create a risk of fire when used with another battery pack.
- **Use power tools only with specifically designated battery packs.** Use of any other battery packs may create a risk of injury and fire.
- **When battery pack is not in use, keep it away from other metal objects, like paper clips, coins, keys, nails, screws or other small metal objects, that can make a connection from one terminal to another.** Shorting the battery terminals together may cause burns or a fire.
- **Under abusive conditions, liquid may be ejected from the battery; avoid contact. If contact accidentally occurs, flush with water. If liquid contacts eyes, additionally seek medical help.** Liquid ejected from the battery may cause irritation or burns.

- **Do not use a battery pack or tool that is damaged or modified.** Damaged or modified batteries may exhibit unpredictable behavior resulting in fire, explosion or risk of injury.
- **Do not expose a battery pack or tool to fire or excessive temperature.** Exposure to fire or temperature above 130 °C may cause explosion.
- **Follow all charging instructions and do not charge the battery pack or tool outside the temperature range specified in the instructions.** Charging improperly or at temperatures outside the specified range may damage the battery and increase the risk of fire.

SERVICE

- **Have your power tool serviced by a qualified repair person using only identical replacement parts.** This will ensure that the safety of the power tool is maintained.
- **Never service damaged battery packs.** Service of battery packs should only be performed by the manufacturer or authorized service providers.

READ ALL INSTRUCTIONS BEFORE USING THIS PRODUCT!

TRAINING

- **Never allow children, persons with reduced physical, sensory or mental capabilities or lack of experience and knowledge or people unfamiliar with these instructions to use the machine.**
- **The operator or user is responsible for accidents or hazards occurring to other people or their property.**

PREPARATION

- **The power tool may be used in the rain or wet conditions. Dry the power tool after finishing work.**
- **Before using, check the batteries or battery packs for damage.** Do not use the appliance if the batteries or battery pack is damaged.

OPERATION

- **The power tool may be used in the rain or wet conditions. Dry the power tool after finishing work.**
- **Disconnect the batteries or battery packs:**
 1. Whenever you leave the machine;
 2. Before clearing a blockage;

3. Before checking, cleaning or working on the appliance;
4. If the appliance starts to vibrate abnormally.

- Always be sure of your footing on slopes.
- Walk, never run.
- Keep all cooling air inlets clear of debris.
- Recommendation to operate the machine only at reasonable hours – not early in the morning or late at night when people might be disturbed.
- Recommendation to slightly dampen surfaces in dusty conditions or use mister attachment.

▲ WARNING: Danger of rotating parts!

- Use the full blower nozzle extension so the air stream can work close to the ground.
- Not to operate the machine near open windows, etc.

MAINTENANCE AND STORAGE

- Keep all nuts, bolts and screws tight to be sure the appliance is in safe working condition.
- Replace worn or damaged parts.
- Use only genuine replacement parts and accessories.
- Store the appliance only in a dry place.

▲ WARNING: To reduce risk of fire, electric shock, or injury:

IMPORTANT

READ CAREFULLY BEFORE USE.

KEEP FOR FUTURE REFERENCE.

- Do not allow the blower to be used as a toy. Close attention is necessary when used by or near children.
- If the blower is not working as it should, has been dropped, damaged, or dropped into water, return it to a service center.
- Do not put any object into any openings. Do not use with any opening blocked; keep openings free of dust, lint, hair, and anything that may reduce air flow.
- Use extra care when cleaning on stairs.

- Do not leave blower unattended when the battery Plug is inserted. Remove the battery when the blower is not in use and before servicing.
- Do not handle the charger, including charger plug, or charger terminals with wet hands.
- Do not charge the battery pack outdoors.

▲ WARNING:

- The battery pack must be removed from the appliance before it is scrapped.
- The battery shall be disposed of safely.
- DO NOT attempt to clear clogs from the unit without first removing the battery.
- Keep the blower and its handle dry, clean and free from oil and grease. Always use a clean cloth when cleaning. Never use brake fluids, gasoline, petroleum based products, or any strong solvents to clean your blower. Following this rule will reduce the risk of loss of control and deterioration of the enclosure plastic.
- Batteries can explode in the presence of a source of ignition, such as a pilot light. To reduce the risk of serious personal injury, never use any cordless product in the presence of an open flame. An exploded battery can propel debris and chemicals. If exposed, flush with water immediately.
- Never run the unit without the proper equipment attached. Always ensure that the blower tube is installed.
- Never use the blower near fires or hot ashes. Use near fires or ashes can spread fires and result in serious injury and/or property damage.
- Never use blower to spread chemicals, fertilizers, or any other toxic substances. Spreading these substances could result in serious injury to the operator or bystanders.
- Save these instructions. Refer to them frequently and use them to instruct others who may use this tool. If you loan this tool to someone else, also loan these instructions to them to prevent misuse of the product and possible injury.

SAVE THESE INSTRUCTIONS!

EN SPECIFICATIONS

Voltage	56V
Maximum air volume at nozzle	986 m ³ /h
Recommended Operating Temperature	-15°C-40°C
Recommended Storage Temperature	-20°C-70°C
Maximum Air Velocity	65m/s (without round nozzle)
	75m/s (with round nozzle)
Approx. Run Time (with EGO 5.0Ah battery)	18 min (Boost mode)
	30 min (High Speed)
	200 min (Low speed)
Maximum blowing force	18N
Blower Weight (without battery pack)	2.18 kg
Measured sound power level L _{WA}	94.73 dB(A) K=2.83 dB(A)
Sound pressure level at operator's ear L _{PA}	78.4 dB(A) K=2.5 dB(A)
Guaranteed sound power level L _{WA} (according to 2000/14/EC)	98 dB(A)
Vibration a _h	0.505 m/s ² K=1.5 m/s ²

- The declared vibration total value has been measured in accordance with a standard test method and may be used for comparing one tool with another;
- The declared vibration total value may also be used in a preliminary assessment of exposure.

NOTICE: The vibration emission during actual use of the power tool can differ from the declared value in which the tool is used; In order to protect the operator, user should wear gloves and ear protectors in the actual conditions of use.

PACKING LIST

PART NAME	QUANTITY
Blower	1
Blower tube	1
Nozzle attachment	2
Operator's manual	1

DESCRIPTION

KNOW YOUR BLOWER (Fig. A)

1. Flat Nozzle
2. Round Nozzle
3. Blower Tube
4. Tube-Release Button
5. Base
6. Air Intake
7. Battery-ejection
8. Electric Contacts
9. Latch
10. Battery Release Button
11. Air-speed Trigger
12. Boost Button
13. Speed/Lock-on Dial

⚠ WARNING: The safe use of this product requires an understanding of the information on the tool and in this instruction manual as well as knowledge of the project you are attempting. Before use of this product, familiarize yourself with all operating features and safety rules.

ASSEMBLY

⚠ WARNING: If any parts are damaged or missing, do not operate this product until the parts are replaced. Use of this product with damaged or missing parts could result in serious personal injury.

⚠ WARNING: Do not attempt to modify this product or create accessories not recommended for use with this blower. Any such alteration or modification is misuse and could result in a hazardous condition leading to possible serious personal injury.

⚠ WARNING: To prevent accidental starting that could cause serious personal injury, always remove the battery pack from the tool when assembling parts.

APPLICATION

You may use this product for the purposes listed below:

- Clearing hard surfaces such as driveways and walkways.
- Keeping decks and driveways free from leaves and pine needles.

NOTICE: The tool is to be used only for its prescribed purpose. Any other use is deemed to be a case of misuse.

ASSEMBLING/REMOVING THE BLOWER TUBE

■ To Assemble (Fig. B & C)

Align the groove and push the tube onto the blower housing until you hear a “click”.

■ To Remove (Fig. D)

Press the tube-release button and pull the tube out.

ASSEMBLING/REMOVING THE BLOWER ROUND/FLAT NOZZLE

■ To Assemble(Fig. E & F)

Align the groove in the round nozzle with the tube knob and push the nozzle onto the tube until it snaps into place.

■ To Remove(Fig. G)

Press and hold the nozzle-release button to disengage the latch, then pull the nozzle straight from the blower.

NOTICE: Follow the same sequence to assemble or remove the flat nozzle.

INSTALLING/REMOVING THE BATTERY PACK

Charge before first use.

Use only with battery packs and chargers listed in fig.A

■ To Install (Fig. H)

Align the battery ribs with the mounting slots and press the battery pack down until you hear a “click”.

■ To Remove (Fig. I)

Depress the battery-release button and pull the battery pack out.

⚠ WARNING: Always take care to note the location of your feet, children, or pets when pressing the battery-release button. Serious injury could result if the battery pack falls. NEVER remove the battery pack when in a high location.

Fig. H parts description see below:

H-1	Battery-Release Button	H-3	Mounting Slot
H-2	Battery Rib		

STARTING/STOPPING THE BLOWER (Fig. J)

■ Air-Speed Trigger Only

1. Depress the air-speed trigger to turn on the blower.
2. The air speed of the blower is controlled with the variable speed trigger. More pressure on the trigger results in higher blowing speeds; less pressure on the trigger results in lower blowing speeds. Adjust the speed to suit the task at hand.
3. Release the air-speed trigger to turn off the blower.

■ Speed/Lock-On Dial Only

The blower can be turned on and locked at any speed with the speed /lock-on dial.

1. Turn the speed/lock-on dial clockwise to start the blower. The air speed will increase as the dial is rotated clockwise.
2. To decrease the air speed, turn the speed/lock-on dial counterclockwise.
3. Keep turning the speed/lock-on dial counterclockwise to the off position to stop the blower.

NOTICE: If the speed/lock-on dial is not turned back to the off position before turning the blower on, the blower will not start through the speed/lock-on dial when a charged battery is installed. This is a protection feature to help prevent accidental startup. Depress the air-speed trigger can deactivate the protection.

Press the boost button while working to temporarily increase the air speed to the maximum level. The blower will resume the previous speed when the boost button is released.

Fig. J parts description see below:

J-1	Speed/lock-on Dial	J-3	Air-speed Trigger
J-2	Boost Button		

Tips For Using The Blower

- To keep from scattering debris, blow around the outer edges of a debris pile. Never blow directly into the center of a pile.
- To reduce sound levels, limit the number of pieces of equipment used at any one time.

- Use rakes and brooms to loosen debris before blowing. In dusty conditions, slightly dampen surfaces when water is available.
- Watch out for children, pets, open windows, or freshly washed cars, and blow debris safely away.
- After using blowers or other equipment, clean up! Dispose of debris properly.
- It is not recommended to use the blower at a high speed for a long time, as large vibration and noise may be harmful to your health.

MAINTENANCE

⚠ WARNING: When servicing, use only identical replacement parts. Use of any other parts may create a hazard or cause product damage. To ensure safety and reliability, all repairs should be performed by a qualified service technician.

⚠ WARNING: To avoid serious personal injury, always remove the battery pack from the product when cleaning or performing any maintenance.

GENERAL MAINTENANCE

Avoid using solvents when cleaning plastic parts. Most plastics are susceptible to damage from various types of commercial solvents and may be damaged by their use. Use clean cloths to remove dirt, dust, oil, grease, etc.

⚠ WARNING: Do not at any time let brake fluids, petrol, petroleum-based products, penetrating oils, etc., come in contact with plastic parts. Chemicals can damage, weaken or destroy plastic which may result in serious personal injury.

STORAGE

- Remove the battery pack from the blower.
- Clean all foreign material from the air inlets of the blower.
- Store indoors in a place that is inaccessible to children. Keep away from corrosive agents, such as garden chemicals and de-icing salts.

Protecting the environment



Do not dispose of electrical equipment, battery charger and batteries/rechargeable batteries into household waste!

According to the European law 2012/19/EU, electrical and electronic equipment that is no longer usable, and according to the European law 2006/66/EC, defective or used battery packs/batteries, must be collected separately and disposed of in an environmentally correct manner.

If electrical appliances are disposed of in landfills or dumps, hazardous substances can leak into the groundwater and get into the food chain, damaging your health and well-being.



TROUBLESHOOTING

EN

PROBLEM	CAUSE	SOLUTION
Blower doesn't work.	<ul style="list-style-type: none">■ The battery pack is not attached to the blower.■ No electrical contact between the blower and battery.■ The battery pack is depleted.■ The battery pack or blower is too hot.■ The speed/lock-on dial was not turned back to the off position before turning the blower on.	<ul style="list-style-type: none">■ Attach the battery pack to the blower.■ Remove battery, check contacts and reinstall the battery pack.■ Charge the battery pack.■ Cool the battery pack and blower until the temperature drops below 67°C.■ Depress the air-speed trigger to deactivate the protection and start the blower or rotate the speed/lock on dial to the off position firstly.
The air velocity decreases significantly.	<ul style="list-style-type: none">■ Excessive wearing of motor fan.■ The air inlet is blocked by debris.	<ul style="list-style-type: none">■ Contact EGO service center for repair.■ Remove the battery pack, clear the debris.

WARRANTY

EGO WARRANTY POLICY

Please visit the website egopowerplus.com for full terms and conditions of the EGO Warranty policy.

DE



LESEN SIE ALLE ANWEISUNGEN

HINWEIS: Diese Anleitung wird auch in anderen Formaten zur Verfügung gestellt, z.B. auf einer Website.

⚠ Restrisiko! Menschen mit elektronischen Geräten, wie z.B. Herzschrittmachern, sollten ihren Arzt konsultieren, bevor sie dieses Gerät verwenden. Die Bedienung von Elektrogeräten in unmittelbarer Nähe zu Herzschrittmachern kann zu Interferenzen und Störungen des Schrittmachers führen.

⚠ WARNUNG: Um die Sicherheit und Zuverlässigkeit zu gewährleisten, sollten alle Reparaturen und der Austausch von Teilen nur von qualifizierten Servicetechnikern durchgeführt werden.

SICHERHEITSSYMBOL

Der Zweck von Sicherheitssymbolen besteht darin, Ihre Aufmerksamkeit auf mögliche Gefahren zu lenken. Die Sicherheitssymbole und deren Erklärungen verdienen Ihre vollste Beachtung und ihr Verständnis. Die Warnsymbole beseitigen nicht von sich aus die Gefahren. Anweisungen und Warnungen sind kein Ersatz für angemessene Unfallverhütungsmaßnahmen.

⚠ WARNUNG: Achten Sie darauf, dass Sie, bevor Sie das Gerät benutzen, alle Sicherheitsanweisungen dieser Bedienungsanleitung gelesen und verstanden haben, einschließlich aller Gefahrenzeichen wie „**VORSICHT**“, „**WARNUNG**“ und „**ACHTUNG**“. Die Nichtbeachtung der unten angeführten Anweisungen kann zu Stromschlägen, Feuer und/oder schweren Personenschäden führen.

Schadensverhütung und wichtige Hinweise

Die Hinweise informieren den Benutzer über wichtige Sachverhalte oder Anweisungen, die zur Beschädigung der Ausrüstung oder zu anderen Sachschäden führen können, wenn sie nicht befolgt werden. Jeder wichtige Hinweis wird, wie in dem Beispiel unten, durch das Wort „**HINWEIS**“ angeführt.

HINWEIS: Schäden an der Ausrüstung und/oder andere Sachschäden können entstehen, wenn die Anweisungen nicht befolgt werden.



⚠ WARNUNG: Die Bedienung von Elektrogeräten kann dazu führen, dass Fremdkörper in Ihre Augen geschleudert werden und Sie dadurch schwerwiegende Augenschäden davontragen. Tragen Sie immer eine Schutzbrille, wenn möglich mit Seitenschutz, oder, falls nötig, einen vollen Gesichtsschutz, bevor Sie Arbeiten mit dem Elektrowerkzeug verrichten. Wir empfehlen Ihnen, einen Gesichtsschutz über Ihrer eigenen Brille oder eine herkömmliche Schutzbrille mit Seitenschutz zu tragen.

SICHERHEITSHINWEISE

Diese Seite zeigt und beschreibt die Sicherheitssymbole, die auf diesem Produkt erscheinen können. Lesen, verstehen und befolgen Sie die Anweisungen auf der Maschine, bevor Sie versuchen, die Maschine zusammenzubauen oder zu bedienen.

	Sicherheitswarnung	Vorsichtsmaßnahmen, die Ihre Sicherheit betreffen.
	Augenschutz tragen	Tragen Sie immer eine Schutzbrille, möglichst mit Seitenschutz, und einen Gesichtsschutz, wenn Sie das Gerät bedienen.
	Gehörschutz tragen	Tragen Sie immer einen Gehörschutz, wenn Sie das Gerät bedienen.
	Lesen Sie die Gebrauchsanleitung	Um die Verletzungsgefahr zu senken, sollte der Nutzer vor Gebrauch des Produkts das Handbuch lesen.
	Unbefugte Personen fernhalten	Halten Sie alle unbefugten Personen mindestens 15m fern.
V	Volt	Spannung
A	Ampere	Strom
Hz	Hertz	Frequenz (Zyklen pro Sekunde)
W	Watt	Leistung
min	Minuten	Zeit
m ³ /h	Kubikmeter pro Stunde	Luftmenge

km/h	Kilometer pro Stunde	Luftstromgeschwindigkeit
	Wechselstrom	Stromart
	Gleichstrom	Stromart oder Merkmal des Stroms
n_0	Leerlaufdrehzahl	Drehzahl im Leerlauf
.../min	pro Minute	Umdrehungen pro Minute

Bei der Benutzung eines elektrischen Gerätes, sollten bestimmte grundlegende Vorsichtsmaßnahmen immer befolgt werden, einschließlich der folgenden.

ALLGEMEINE SICHERHEITSHINWEISE ZU ELEKTROWERKZEUGEN

⚠️ WARNUNG: LESEN SIE ALLE SICHERHEITSHINWEISE, ANWEISUNGEN, ABBILDUNGEN UND SPEZIFIKATIONEN, DIE DIESEM ELEKTROWERKZEUG BEILIEGEN. Die Nichtbeachtung aller unten aufgeführter Anweisungen kann zu Stromschlägen, Feuer und/oder schweren Verletzungen führen.

BEWAHREN SIE DIESE ANWEISUNGEN GUT AUF.

Der nachfolgend verwendete Begriff „Elektrowerkzeug“ bezieht sich auf netzbetriebene Elektrowerkzeuge (mit Netzkabel) und auf akkubetriebene Elektrowerkzeuge (ohne Netzkabel).

ARBEITSPLATZ

- **Halten Sie Ihren Arbeitsbereich sauber und aufgeräumt.** Unordnung und unbeleuchtete Arbeitsbereiche können zu Unfällen führen.
- **Arbeiten Sie mit dem Gerät nicht in explosionsgefährdeter Umgebung, in der sich brennbare Flüssigkeiten, Gase oder Staub befinden.** Elektrowerkzeuge erzeugen Funken, die den Staub oder die Dämpfe entzünden können.
- **Halten Sie Kinder und andere Personen während der Benutzung des Elektrowerkzeugs fern.** Bei Ablenkung können Sie die Kontrolle über das Gerät verlieren.

ELEKTRISCHE SICHERHEIT

- **Der Anschlussstecker des Gerätes muss in die Steckdose passen. Der Netzstecker darf in keener Weise verändert werden. Verwenden Sie keine Adapterstecker gemeinsam mit schutzgeerdeten Geräten. Unveränderte Netzstecker** und passende Steckdosen verringern das Risiko eines elektrischen Schlag.

- **Vermeiden Sie Körperkontakt mit geerdeten Oberflächen, wie von Rohren, Heizungen, Herden und Kühlschränken.** Es besteht ein erhöhtes Risiko durch elektrischen Schlag, wenn Ihr Körper geerdet ist.
- **Halten Sie das Gerät von Regen oder Nässe fern.** Das Eindringen von Wasser in ein Elektrogerät erhöht das Risiko eines elektrischen Schlag.
- **Zweckentfremden Sie das Netzkabel nicht, um das Gerät zu tragen, aufzuhängen oder um den Netzstecker aus der Steckdose zu ziehen. Halten Sie das Netzkabel fern von Hitze, Öl, scharfen Kanten oder sich bewegenden Geräteteilen.** Beschädigte oder verwickelte Netzkabel erhöhen das Risiko eines elektrischen Schlag.
- **Wenn Sie mit einem Elektrowerkzeug im Freien arbeiten, verwenden Sie nur Verlängerungskabel, die auch für den Außenbereich zugelassen sind.** Die Anwendung eines für den Außenbereich geeigneten Verlängerungskabels verringert das Risiko eines elektrischen Schlag.
- **Wenn sich Arbeiten mit einem Elektrowerkzeug in feuchten Umgebungen nicht vermeiden lassen, verwenden Sie eine Stromversorgung mit einer Fehlerstrom-Schutzeinrichtung (RCD).** Durch die Verwendung einer RCD wird die Gefahr eines elektrischen Schlag verringert.

SICHERHEIT VON PERSONEN

- **Seien Sie aufmerksam. Achten Sie darauf, was Sie tun, und gehen Sie mit Vernunft an die Arbeit mit einem Elektrowerkzeug. Benutzen Sie das Gerät nicht, wenn Sie müde sind oder unter dem Einfluss von Drogen, Alkohol oder Medikamenten stehen.** Ein Moment der Unachtsamkeit beim Gebrauch des Gerätes kann zu ernsthaften Verletzungen führen.
- **Tragen Sie persönliche Schutzausrüstung und immer eine Schutzbrille.** Das Tragen persönlicher Schutzausrüstung, wie Staubmaske, rutschfeste Sicherheitsschuhe, Schutzhelm oder Gehörschutz, je nach Art und Einsatz des Elektrowerkzeuges, verringert das Risiko von Verletzungen.
- **Ungewollten Motorstart verhindern. Vor dem Anschließen an eine Steckdose und/oder einen Akku und vor dem Aufheben oder Transportieren des Werkzeugs immer kontrollieren, ob der Betriebsschalter ausgestellt ist.** Unfälle sind vorprogrammiert, wenn Sie Elektrowerkzeuge mit einem Finger am Netzschalter tragen oder Elektrowerkzeuge mit eingeschaltetem Netzschalter an eine Steckdose anschließen.

- **Entfernen Sie Einstellwerkzeuge oder Schraubenschlüssel, bevor Sie das Gerät einschalten.** Ein Werkzeug oder Schlüssel, der sich in einem drehenden Geräteteil befindet, kann zu Verletzungen führen.
- **Überschätzen Sie sich nicht. Sorgen Sie für einen sicheren Stand und halten Sie jederzeit das Gleichgewicht.** Dadurch können Sie das Gerät in unerwarteten Situationen besser kontrollieren.
- **Tragen Sie geeignete Kleidung. Tragen Sie keine weite Kleidung oder Schmuck. Halten Sie Haare, Kleidung und Handschuhe fern von sich bewegenden Teilen.** Lockere Kleidung, Schmuck oder lange Haare können von sich bewegenden Teilen erfasst werden.
- **Wenn Staubabsaug- und -auffangeinrichtungen montiert werden können, vergewissern Sie sich, dass diese angeschlossen sind und richtig verwendet werden.** Das Verwenden dieser Einrichtungen verringert Gefährdungen durch Staub.
- **Lassen Sie sich nicht durch die aufgrund häufiger Benutzung entstandene Vertrautheit mit Werkzeugen dazu verleiten, unachtsam zu werden und die für Werkzeuge geltenden Sicherheitsgrundsätze zu ignorieren.** Eine fahrlässige Handlung kann bereits im Bruchteil einer Sekunde zu schweren Verletzungen führen.
- **Pflegen Sie das Gerät mit Sorgfalt. Kontrollieren Sie, ob bewegliche Geräteteile einwandfrei funktionieren und nicht klemmen, ob Teile gebrochen oder so beschädigt sind, dass die Funktion des Gerätes beeinträchtigt ist. Lassen Sie beschädigte Teile vor dem Einsatz des Gerätes reparieren.** Viele Unfälle haben ihre Ursache in schlecht gewarteten Elektrowerkzeugen.
- **Halten Sie Schneidwerkzeuge scharf und sauber.** Sorgfältig gepflegte Schneidwerkzeuge mit scharfen Schneidkanten verklemmen sich weniger und sind leichter zu führen.
- **Verwenden Sie Elektrowerkzeug, Zubehör, Einsatzwerkzeuge usw. entsprechend diesen Anweisungen und so, wie es für diesen speziellen Gerätetyp vorgeschrieben ist. Berücksichtigen Sie dabei die Arbeitsbedingungen und die auszuführende Tätigkeit.** Der Gebrauch von Elektrowerkzeugen für andere als die vorgesehenen Anwendungen kann zu gefährlichen Situationen führen.
- **Halten Sie die Griffe und Griffflächen trocken, sauber und frei von Öl und Fett.** Rutschige Griffe und Griffflächen beeinträchtigen die sichere Handhabung des Werkzeugs und führen in unerwarteten Situationen zum Verlust der Kontrolle über das Werkzeug.

UMGANG MIT AKKUWERKZEUGEN

SORGFÄLTIGER UMGANG UND GEBRAUCH VON ELEKTROWERKZEUGEN

- **Überlasten Sie das Gerät nicht. Verwenden Sie für Ihre Arbeit das dafür bestimmte Elektrowerkzeug.** Mit dem passenden Elektrowerkzeug arbeiten Sie besser und sicherer im angegebenen Leistungsbereich.
- **Benutzen Sie kein Elektrowerkzeug, dessen Schalter defekt ist.** Ein Elektrowerkzeug, das sich nicht mehr ein- oder ausschalten lässt, ist gefährlich und muss repariert werden.
- **Ziehen Sie den Netzstecker aus der Steckdose, bevor Sie Geräteeinstellungen vornehmen, Zubehörteile wechseln oder das Gerät weglegen.** Diese Vorsichtsmaßnahme verhindert den unbeabsichtigten Start des Geräts.
- **Bewahren Sie unbenutzte Elektrowerkzeuge außerhalb der Reichweite von Kindern auf. Lassen Sie Personen das Gerät nicht benutzen, die mit diesem nicht vertraut sind oder diese Anweisungen nicht gelesen haben.** Elektrowerkzeuge sind gefährlich, wenn Sie von unerfahrenen Personen benutzt werden.
- **Zum Laden ist ausschließlich das vom Hersteller angegebene Ladegerät zu verwenden.** Ein Ladegerät, das für eine Art von Akku geeignet ist, kann bei Verwendung mit einer anderen Art von Akku Brandgefahr verursachen.
- **Elektrowerkzeuge dürfen nur mit speziell dazu bestimmten Akkus verwendet werden,** da bei der Verwendung anderer Akkus Verletzungs- und Brandgefahr entstehen kann.
- **Wenn der Akku nicht in Gebrauch ist, ist er von Büroklammern, Münzen, Schlüsseln, Nägeln, Schrauben und anderen kleinen Metallobjekten fernzuhalten, die eine Verbindung zwischen den Polen bilden können.** Kurzschließen der Pole kann Brand oder Verbrennungen verursachen.

- Bei falschem Umgang mit dem Akku kann Flüssigkeit aus dem Akku austreten. Die Berührung dieser Flüssigkeit ist zu vermeiden. Bei Berührung den betroffenen Körperteil mit Wasser abspülen. Bei Berührung der Flüssigkeit mit den Augen muss zusätzlich ärztliche Hilfe gerufen werden. Die Akkufflamm kann Reizungen oder Verbrennungen verursachen.
- Benutzen Sie keinen Akku oder ein Werkzeug, das beschädigt oder umgebaut wurde. Beschädigte oder umgebaute Akkus können sich unvorhergesehen verhalten, wodurch möglicherweise ein Brand, eine Explosion oder Verletzung verursacht wird.
- Akkus oder Werkzeuge vor Feuer oder extremen Temperaturen schützen. Brände oder Temperaturen über 130 °C können eine Explosion verursachen.
- Befolgen Sie alle Ladeanweisungen und laden Sie den Akku oder das Werkzeug nicht außerhalb des Temperaturbereichs auf, der in der Anleitung angegeben ist. Das unsachgemäße Aufladen oder Laden außerhalb des angegebenen Temperaturbereichs kann den Akku beschädigen und die Brandgefahr erhöhen.

REPARATUREN

- Lassen Sie Ihr Elektrowerkzeug von einer qualifizierten Fachkraft und nur unter Verwendung baugleicher Ersatzteile reparieren. Nur so kann für die Sicherheit des Elektrowerkzeugs gesorgt werden.
- Reparieren Sie unter keinen Umständen beschädigte Akkus. Die Reparatur von Akkus sollte ausschließlich von dem Hersteller oder autorisierten Reparaturwerkstätten vorgenommen werden.

LESEN SIE VOR DER BENUTZUNG DIESES PRODUKTS ALLE ANWEISUNGEN!

UNTERWEISUNG

- Kindern, Personen mit eingeschränkter körperlicher, sensorischer oder geistiger Fähigkeit oder mit mangelnden Erfahrungen und Fachkenntnissen oder Personen, die die vorliegenden Anweisungen nicht kennen, muss die Nutzung des Geräts untersagt werden.
- Für Unfälle, Personen- oder Sachschäden Dritter ist der Bediener oder Nutzer des Geräts verantwortlich.

VORBEREITUNG

- Das Elektrowerkzeug kann im Regen oder in nassen Umgebungsbedingungen benutzt werden. Trocknen Sie das Elektrowerkzeug nach Abschluss der Arbeit ab.

- Prüfen Sie die Batterien oder den Akku vor der Inbetriebsetzung auf Schäden. Verwenden Sie die Batterien oder den Akkusatz nicht, wenn sie beschädigt sind.

BEDIENUNG

- Das Elektrowerkzeug kann im Regen oder in nassen Umgebungsbedingungen benutzt werden. Trocknen Sie das Elektrowerkzeug nach Abschluss der Arbeit ab.
- Entfernen Sie die Batterien bzw. den Akku in folgenden Fällen:
 1. beim Zurückklappen des Geräts
 2. beim Beseitigen von Blockaden
 3. vor dem Prüfen, Reinigen oder Arbeiten am Gerät
 4. wenn das Gerät ungewöhnlich stark zu vibrieren beginnt
- An Hängen immer auf einen festen Stand achten.
- Nur gehen, niemals rennen.
- Halten Sie alle Belüftungsöffnungen frei von Verunreinigungen.
- Um Ruhestörungen zu vermeiden, sollte das Gerät zu angemessenen Tageszeiten eingesetzt werden; das heißt nicht früh am Morgen oder spät am Abend.
- Unter staubigen Bedingungen sollten die Flächen leicht angefeuchtet werden. Es kann auch ein Befeuchtungsaufsatz verwendet werden.

⚠ WARNUNG: Gefahr durch rotierende Teile!

- Ziehen Sie das Laubblasrohr ganz heraus, damit der Luftstrom möglichst nah am Boden ansetzen kann.
- Das Gerät darf nicht in der Nähe geöffneter Fenster o.ä. eingesetzt werden.

WARTUNG UND LAGERUNG

- Achten Sie darauf, dass alle Schrauben, Muttern und Bolzen fest angezogen sind. Nur so kann für eine entsprechende Gerätesicherheit gesorgt werden.
- Ersetzen Sie abgenutzte oder beschädigte Teile.
- Verwenden Sie nur Originalersatzteile und Zubehörteile.
- Lagern Sie das Gerät nur an trockenen Orten.

⚠ WARNUNG: Um das Risiko für Feuer, Stromschläge und Verletzungen zu verringern:

WICHTIG

DE

VOR DER BENUTZUNG SORGFÄLTIG LESEN.

ZUM SPÄTEREN NACHSCHLAGEN AUFBEWAHREN.

- Der Laubbläser darf nicht als Spielzeug benutzt werden. Besondere Aufmerksamkeit ist erforderlich, wenn Kinder in der Nähe sind.
- Wenn der Laubbläser nicht so funktioniert wie er sollte, wenn er fallen gelassen wurde, wenn er beschädigt ist oder wenn er mit Wasser in Berührung gekommen ist, bringen Sie ihn zu einem Servicezentrum.
- Keine Gegenstände in Gehäuseöffnungen einführen. Nicht mit blockierten Öffnungen in Betrieb setzen. Die Öffnungen von Staub, Flusen, Haaren und allem frei halten, was die Luftzirkulation beeinträchtigt.
- Seien Sie besonders vorsichtig, wenn Sie auf Treppen säubern.
- Lassen Sie den Laubbläser nicht unbeaufsichtigt, wenn der Akkustecker verbunden ist. Entfernen Sie den Akku, wenn das Gebläse nicht benutzt wird und wenn Sie das Gerät warten.
- Das Ladegerät, den Netzstecker oder die Kontakte des Ladegeräts nicht mit nassen Händen anfassen.
- Den Akkusatz nicht im Freien aufladen.
- **WARNUNG:**

Vor dem Entsorgen muss der Akku aus dem Gerät entfernt werden.


Der Akku muss sicher entsorgt werden.

- Nehmen Sie ZUERST den Akku aus dem Gerät, bevor Sie versuchen, Blockaden zu lösen.
- Halten Sie den Laubbläser und den Griff trocken, sauber und frei von Öl oder Fett. Verwenden Sie zum Säubern immer einen sauberen Lappen. Reinigen Sie den Laubbläser auf keinen Fall mit Bremsflüssigkeit, Benzin, Erzeugnissen auf Erdölbasis oder mit starken Lösungsmitteln. Sie laufen dadurch weniger Gefahr, die Kontrolle über das Gerät zu verlieren, und verhindern, dass das Kunststoffgehäuse angegriffen wird.
- Akkus können in Gegenwart einer Zündquelle, wie z.B. einer Zündflamme, explodieren. In der Gegenwart offener Flammen nie schnurlose Geräte benutzen, um die Gefahr schwerer Verletzungen zu verhindern. Bei einem explodierenden Akku können Schmutz und Chemikalien umhergeschleudert werden. Bei einer entsprechenden Gefährdung unverzüglich mit Wasser abspülen.

- Betreiben Sie das Gerät niemals ohne zuvor die entsprechenden Zubehörteile zu montieren. Achten Sie immer darauf, dass das Laubbläserrohr montiert ist.
- Verwenden Sie das Gebläse niemals in der Nähe von Feuer oder heißer Asche. Die Verwendung in der Nähe von Feuer oder heißer Asche kann zur Ausbreitung des Feuers und damit zu schweren Verletzungen und/oder Sachschäden führen.
- Verwenden Sie das Gebläse niemals, um damit Chemikalien, Düngemittel oder andere toxische Substanzen zu verteilen. Das Verteilen solcher Stoffe kann zu schweren Verletzungen beim Bediener der Maschine oder bei Passanten führen.
- Heben Sie diese Anleitung auf. Schlagen Sie gegebenenfalls darin nach und verwenden Sie sie, um andere in die Verwendung des Geräts einzuweisen. Falls Sie dieses Werkzeug an andere verleihen, händigen Sie ihnen auch diese Anleitung aus, um einem Missbrauch des Geräts und möglichen Verletzungen vorzubeugen.

HEBEN SIE DIESE ANLEITUNG AUF!

TECHNISCHE DATEN

Spannung	56V 
Volumen de aire máximo en la boquilla	986 m ³ /h
Empfohlene Betriebstemperatur	-15°C-40°C
Empfohlene Lagertemperatur	-20°C-70°C
Maximalen Luftgeschwindigkeit	65m/s (ohne runde Düse)
	75m/s (Mit Runddüse)
Ungefähre Betriebsdauer (mit EGO 5,0Ah Akku)	18 min (Boost-Modus)
	30 min (Hochgeschwindigkeit)
	200 min (niedrige Geschwindigkeit)
Max. Blaskraft	18N
Gewicht des Laubbläasers (ohne Akku)	2,18 kg
Gemessener Schalleistungspegel L _{WA}	94,73 dB(A) K=2,83 dB(A)
Schalldruckpegel am Ohr des Bedieners L _{PA}	78,4 dB(A) K=2,5 dB(A)

Garantierter Schalleistungspegel L_{WA} (nach 2000/14/EG gemessen)	98 dB(A)
Vibration a_h	0,505 m/s ² K=1,5 m/s ²

- Der angegebene Schwingungsgesamtwert wurde in Übereinstimmung mit einer Standardtestmethode gemessen und kann verwendet werden, um Werkzeuge miteinander zu vergleichen.
- Der angegebene Schwingungsgesamtwert kann auch als einleitende Feststellung der Belastung verwendet werden.

HINWEIS: Die Schwingungs-Emission während der tatsächlichen Arbeit mit dem Elektrowerkzeug kann vom angegebenen Wert abweichen. Um den Bediener zu schützen, sollte man unter den tatsächlichen Bedingungen Handschuhe und Gehörschutz tragen.

PACKLISTE

TEILNAME	MENGE
Laubbläser	1
Gebälserohr	1
Düsenansatz	2
Bedienungsanleitung	1

BESCHREIBUNG

AUFBAU (Abb. A)

- Flache Düse
- Runde Düse
- Blasrohr
- Entriegelungsknopf
- Fuß
- Lufteingang
- Akku-Ausgabe
- Elektrische Kontakte
- Sperre
- Akku-Entriegelung
- Blasgeschwindigkeitsdruckknopf
- Boost-Knopf
- Geschwindigkeitsdrehregler

⚠️ WARNUNG: Der sichere Umgang mit diesem Produkt erfordert sowohl das Verstehen der Informationen auf dem Werkzeug und in dieser Anleitung, als auch Kenntnis über die Arbeitsaufgabe, die Sie planen. Machen Sie sich vor der Nutzung des Produkts mit allen Bedienmerkmalen und Sicherheitsregeln vertraut.

BEDIENUNG

⚠️ WARNUNG: Wenn irgendwelche Teile beschädigt sind oder fehlen, dann verwenden Sie das Produkt nicht, bis alle Teile ersetzt worden sind. Die Verwendung dieses Produkts mit beschädigten Teilen, oder wenn Teile fehlen, könnte zu schweren Verletzungen führen.

⚠️ WARNUNG: Versuchen Sie nicht, dieses Produkt zu verändern oder Zubehörteile zu verwenden, die für den Einsatz dieses Laubbläfers nicht empfohlen werden. Derartige Änderungen oder Umbauten stellen eine Zweckentfremdung dar und können gefährliche Arbeitsbedingungen hervorrufen, bei denen eine schwere Verletzungsgefahr besteht.

⚠️ WARNUNG: Um einen unbeabsichtigten Start zu vermeiden, der zu schweren Verletzungen führen kann, nehmen Sie immer die Akkus aus dem Gerät, wenn Sie Teile montieren.

ANWENDUNGSBEREICH

Sie können dieses Produkt für die nachstehend aufgeführten Zwecke einsetzen:

- Zur Reinigung harter Oberflächen wie Fahr- und Fußwege.
- Zum Freihalten von Terrassen und Auffahrten von Blättern und Kiefernadeln.

HINWEIS: Das Werkzeug darf nur für den dafür vorgesehenen Zweck eingesetzt werden. Jeder andere Geräteeinsatz gilt als Zweckentfremdung.

ANBRINGEN/ABNEHMEN DES GEBLÄSEROHRS

Anbringen (Abb. B & C)

Lassen Sie die Rille fluchten und schieben Sie das Rohr in das Gerätegehäuse, bis ein Klickgeräusch zu hören ist.

Abnehmen (Abb. D)

Drücken Sie die Rohrentriegelung und ziehen Sie das Rohr ab.

DIE RUNDE/FLACHE BLASDÜSE MONTIEREN/ ENTFERNEN

■ Montage (Abb. E & F)

Die Nocke am Rohrstück in die Nut an der Luftdüse einführen und diese Düse auf das Rohr schieben, bis sie fest einrastet.

■ Demontage (Abb. G)

Die Düsenentriegelung festhalten, um die Arretierung zu lösen. Anschließend die Düse nach hinten aus dem Gebläse ziehen.

HINWEIS: Montieren bzw. entfernen Sie die Düse in derselben Reihenfolge.

ANBRINGEN/ABNEHMEN DES AKKUS

Laden Sie den Akku vor dem ersten Gebrauch auf.

Nur mit akkus und ladegeräten verwenden, die in abb. A aufgeführt sind.

■ Anbringen(Abb. H)

Lassen Sie die Rippen am Akkugehäuse mit den Öffnungen am Gerät fluchten und schieben Sie den Akku bis zum hörbaren Einrasten in das Gerät.

■ Abnehmen(Abb. I)

Drücken Sie die Batterieentriegelung und ziehen Sie den Akku heraus.

⚠ WARNUNG: Achten Sie immer auf Ihre Füße, Kinder oder Tiere um Sie herum, wenn Sie den Akku-Auswurf-Knopf betätigen. Ernsthaftige Verletzungen könnten die Folge sein, wenn der Akku herunterfällt. Entfernen Sie den Akku NIEMALS aus einer hohen Position heraus.

Abb. H Beschreibung der Teile weiter unten.

H-1	Akku- Entriegelungsknopf	H-3	Montagefach
H-2	Akku-Teil		

EIN-/AUSSCHALTEN DES LAUBBLÄSERS (Abb. J)

■ Nur Blasgeschwindigkeitsdruckknopf

1. Drücken Sie zum Einschalten des Bläasers den Blasgeschwindigkeitsdruckknopf.
2. Die Blasgeschwindigkeit wird mithilfe des verstellbaren Geschwindigkeitsknopfs geregelt. Mehr Druck auf den Knopf führt zu höherer, weniger Druck zu niedrigerer Blasgeschwindigkeit. Passen Sie die Geschwindigkeit der jeweiligen Situation an.
3. Lassen Sie den Knopf los, um das Gerät auszuschalten.

Nur Geschwindigkeitsdrehregler

Der Bläser kann mit dem Geschwindigkeitsdrehregler eingeschaltet und bei einer beliebigen Geschwindigkeit arretiert werden.

1. Drehen Sie den Regler im Uhrzeigersinn, um den Bläser einzuschalten. Die Blasgeschwindigkeit nimmt zu, wenn der Regler weiter im Uhrzeigersinn gedreht wird.
2. Um die Blasgeschwindigkeit zu reduzieren, drehen Sie den Regler gegen den Uhrzeigersinn.
3. Drehen Sie den Regler gegen den Uhrzeigersinn, um den Bläser auszuschalten.

HINWEIS: Wenn der Drehregler vor dem Einschalten des Geräts nicht zurück auf die Aus-Position gedreht wird, startet der Bläser nicht mithilfe des Drehreglers, wenn ein aufgeladener Akku eingesetzt wird. Dies ist eine Schutzfunktion, um unbeabsichtigtes Einschalten zu verhindern. Drücken Sie den Blasgeschwindigkeitsdruckknopf, um den Schutz aufzuheben.

Drücken Sie während des Betriebs den Boost-Knopf, um die Blasgeschwindigkeit auf das Maximum zu erhöhen. Der Bläser kehrt zur früheren Geschwindigkeit zurück, wenn der Boost-Knopf losgelassen wird.

Abb. J Beschreibung der Teile weiter unten.

J-1	Geschwindig- keitsdrehregler	J-3	Blasgeschwindigkeits- druckknopf
J-2	Boost-Knopf		

Tipps zum Gebrauch des Bläasers

- Blasen Sie an den Außenkanten des Schmutzhaufens entlang, damit die Laubreste nicht verstreut werden. Blasen Sie niemals direkt in die Mitte eines Haufens.
- Um den Lärmpegel zu reduzieren, begrenzen Sie die Anzahl der zu einer Zeit verwendeten Ausrüstungsteile.
- Verwenden Sie Harken und Besen, um den Schutt vor dem Wegblasen zu lockern. Unter staubigen Bedingungen befeuchten Sie die Oberflächen etwas, wenn Ihnen Wasser zur Verfügung steht.
- Geben Sie auf Kinder, Tiere, offene Fenster oder frisch gewaschene Autos Acht. Blasen Sie den Schmutz vorsichtig weg.
- Säubern Sie den Ort nach der Benutzung des Gebläses oder anderer Geräte. Entsorgen Sie den Schutt ordnungsgemäß
- Es empfiehlt sich, den Bläser nicht über längere Zeit mit hoher Geschwindigkeit zu betreiben, weil die starken Vibrationen und die hohe Lautstärke Ihre Gesundheit beeinträchtigen können.

WARTUNG

⚠️ WARNUNG: Verwenden Sie für die Wartung nur identische Ersatzteile. Die Verwendung anderer Teile kann Unfälle und Schäden am Gerät hervorrufen. Um die Sicherheit und Zuverlässigkeit zu gewährleisten, sollten alle Reparaturen nur von qualifizierten Servicetechnikern durchgeführt werden.

⚠️ WARNUNG: Um ernsthafte Personenschäden zu vermeiden, entfernen Sie immer den Akkusatz aus dem Produkt, wenn Sie das Gerät säubern oder Wartungsarbeiten vornehmen.

LAUFENDE WARTUNGSARBEITEN

Vermeiden Sie es, Lösungsmittel bei der Säuberung der Plastikteile zu verwenden. Die meisten Kunststoffe sind anfällig für Schäden durch die vielen Arten von im Handel erhältlichen Lösungsmitteln. Die Teile könnten beschädigt werden. Nehmen Sie einen sauberen Lappen, um Schmutz, Staub, Öl, Fett usw. zu entfernen.

⚠️ WARNUNG: Lassen Sie niemals Bremsflüssigkeit, Benzin, erdöhlhaltige Produkte, durchdringende Öle usw. in Kontakt mit den Plastikteilen kommen. Chemikalien können Plastik beschädigen, angreifen oder zerstören, was zu ernsthaften Personenschäden führen kann.

LAGERUNG

- Nehmen Sie die Akkus aus dem Gerät.
- Entfernen Sie alle Fremdkörper von den Lufteintrittsöffnungen des Gebläses.
- Lagern Sie das Gerät im Haus an einem Ort, der nicht für Kinder erreichbar ist. Halten Sie es von zersetzenden Mitteln wie Gartenchemikalien oder Tausalzen fern.

Umweltschutz



Entsorgen Sie elektronische Geräte, Ladegeräte und Batterien/Akkus nicht im Hausmüll!

Gemäß der europäischen Rechtsnorm 2012/19/EU müssen elektrische und elektronische Geräte, die nicht mehr benutzt werden, separat gesammelt und umweltgerecht entsorgt werden. Dasselbe trifft gemäß der europäischen Rechtsnorm 2006/66/EC auch auf defekte oder verbrauchte Batterien/Akkus zu.

Wenn elektrische Geräte auf Deponien oder Schutthalde entsorgt werden, dann können gefährliche Substanzen ins Grundwasser sickern und in die Nahrungskette übergehen, was Ihre Gesundheit und Ihr Wohlbefinden beeinträchtigen kann.

DE

STÖRUNGSBESEITIGUNG

DE

PROBLEM	GRUND	LÖSUNG
Das Gebläse funktioniert nicht.	<ul style="list-style-type: none">■ Der Akkusatz ist nicht in das Gebläse eingesetzt.■ Kein elektrischer Kontakt zwischen Gebläse und Akku■ Der Akkusatz ist leer.■ Der Akkusatz oder das Gebläse sind zu heiß.■ Der Geschwindigkeitsdrehregler wurde vor dem Einschalten des Laubbläasers nicht auf die Aus-Position zurückgestellt.	<ul style="list-style-type: none">■ Legen Sie den Akkusatz in das Gebläse ein■ Entnehmen Sie den Akku, überprüfen Sie die Kontakte und setzen Sie ihn wieder ein.■ Laden Sie den Akkusatz auf.■ Kühlen Sie den Akkusatz und das Gebläse, bis die Temperatur unter 67 °C fällt.■ Drücken Sie den Blasgeschwindigkeitsdruckknopf, um den Schutz aufzuheben und den Bläser zu starten, oder drehen Sie den Regler zuerst auf die Aus-Position.
Das Gebläse funktioniert nicht.	<ul style="list-style-type: none">■ Starke Abnutzung des Gebläsemotors.■ Die Lufteintrittsöffnung ist durch Schmutz blockiert.	<ul style="list-style-type: none">■ Kontaktieren Sie das EGO- Servicezentrum für eine Reparatur.■ Entfernen Sie den Akku und säubern Sie die Öffnungen.

GARANTIE

EGO GEWÄHRLEISTUNGSRICHTLINIE

Bitte besuchen Sie unsere website egopowerplus.com mit den kompletten EGO Garantiebedingungen.

LISEZ TOUTES LES INSTRUCTIONS!



LISEZ LE MANUEL D'UTILISATION

REMARQUE : Ce manuel d'utilisation est également disponible dans un format alternatif, par exemple sur un site Web.

⚠ Risques résiduels ! Les personnes portant des appareils électroniques, par exemple des stimulateurs cardiaques, doivent consulter leur(s) médecin(s) avant d'utiliser ce produit. L'utilisation d'un équipement électrique près d'un stimulateur cardiaque peut provoquer des interférences ou la panne du stimulateur cardiaque.

⚠ AVERTISSEMENT : Pour garantir la sécurité et la fiabilité, toutes les réparations et tous les changements de pièce doivent être effectués par un réparateur qualifié.

SYMBOLES DE SÉCURITÉ

L'objectif des symboles de sécurité est d'attirer votre attention sur des dangers potentiels. Les symboles de sécurité et les explications les accompagnant doivent être lus avec attention et compris. Les symboles de mise en garde ne permettent pas par eux-mêmes d'éliminer les dangers. Les consignes et mises en garde ne se substituent pas à des mesures de prévention appropriées des accidents.

⚠ AVERTISSEMENT : Lisez et comprenez impérativement toutes les consignes de sécurité de ce manuel d'utilisation, y compris les symboles de mise en garde de sécurité tels que « **DANGER** », « **AVERTISSEMENT** » et « **ATTENTION** » avant d'utiliser cet outil. Ne pas respecter toutes les consignes listées ci-après peut provoquer un choc électrique, un incendie et/ou des blessures corporelles graves.

PRÉVENTION DES DOMMAGES ET MESSAGES INFORMATIFS

Ils fournissent à l'utilisateur des informations et/ou des consignes importantes dont le non-respect peut conduire à la détérioration de l'équipement ou d'autres biens. Chaque message est précédé par le mot « **REMARQUE** » comme dans l'exemple ci-dessous :

REMARQUE : La détérioration de l'équipement et/ou d'autres biens peut résulter du non-respect de ces consignes.





⚠ AVERTISSEMENT : L'utilisation d'un outil électrique peut provoquer la projection d'objets étrangers dans vos yeux, ce qui peut provoquer des lésions oculaires graves. Avant de mettre un outil électrique en marche, portez toujours un masque de sécurité ou des lunettes de sécurité avec boucliers latéraux, ou un masque facial intégral quand cela est nécessaire. Nous vous recommandons de porter un Masque de Sécurité à Vision Panoramique par-dessus des lunettes de vue ou des lunettes de sécurité standards avec boucliers latéraux.

FR

CONSIGNES DE SÉCURITÉ

Cette page décrit des symboles de sécurité pouvant être présents sur le produit. Lisez, comprenez et respectez toutes les instructions présentes sur l'outil avant d'essayer de l'assembler et de l'utiliser.

	Restez vigilant	Précautions concernant votre sécurité.
	Porter une protection oculaire	Toujours porter un masque de sécurité ou des lunettes de sécurité avec boucliers latéraux et un masque facial intégral lors de l'utilisation de ce produit.
	Porter une protection auditive	Toujours porter une protection auditive pendant l'utilisation de ce produit.
	Lire le manuel d'utilisation	Pour réduire le risque de blessures, l'utilisateur doit lire le manuel d'utilisation avant d'utiliser ce produit.
	Maintenir les autres personnes éloignées	Maintenir toutes les autres personnes éloignées d'au moins 15m.
V	Volt	Tension
A	Ampères	Courant
Hz	Hertz	Fréquence (cycles par seconde)
W	Watt	Puissance
min	Minutes	Durée

m ³ /h	Mètres cubes par heure	Volume d'air
km/h	Kilomètres par heure	Vitesse de l'air
	Courant alternatif	Type de courant
	Courant continu	Type ou caractéristique du courant
n ₀	Régime à vide	Vitesse de rotation sans charge
... /min	Par minute	Tours par minute

Lors de l'utilisation d'un appareil électrique, des précautions élémentaires doivent toujours être respectées, parmi lesquelles :

CONSIGNES DE SÉCURITÉ GÉNÉRALES POUR LES OUTILS ÉLECTRIQUES

⚠ AVERTISSEMENT : LISEZ TOUTES LES CONSIGNES DE SÉCURITÉ, LES INSTRUCTIONS, LES ILLUSTRATIONS ET LES SPÉCIFICATIONS FOURNIES AVEC CET OUTIL ÉLECTRIQUE. Le non-respect des consignes figurant ci-dessous peut provoquer un choc électrique, un incendie et/ou des blessures graves.

CONSERVEZ TOUS LES CONSIGNES DE SÉCURITÉ ET TOUTES LES INSTRUCTIONS POUR CONSULTATION ULTÉRIEURE.

Le terme « outil électrique » utilisé dans les consignes de sécurité désigne votre outil électrique fonctionnant sur le secteur (filaire) ou sur batterie (sans fil).

SÉCURITÉ DE L'AIRE DE TRAVAIL

- **Maintenez l'aire de travail propre et bien rangée.** Les aires de travail en désordre ou mal éclairées augmentent les risques d'accident.
- **N'utilisez pas les outils électriques dans une atmosphère explosive, par exemple en présence de liquides inflammables, d'essence ou de poussières inflammables.** Les outils électriques génèrent des étincelles pouvant enflammer poussières et vapeurs.
- **Veillez à ce que les enfants et les autres personnes restent éloignés quand vous utilisez un outil électrique.** Un moment d'inattention peut vous faire perdre le contrôle de l'outil.

SÉCURITÉ ÉLECTRIQUE

- **La fiche de l'outil électrique doit correspondre à la prise électrique. Ne modifiez jamais la fiche de quelque manière que ce soit. N'utilisez jamais d'adaptateur de prise avec les outils électriques pourvus d'une mise à la terre ou à la masse.** Les fiches non modifiées et les prises électriques appropriées réduisent le risque de choc électrique.
- **Évitez tout contact physique avec des surfaces mises à la terre ou mises à la masse, telles que tuyaux, radiateurs, fours et réfrigérateurs.** Il y a un risque accru de choc électrique si votre corps est relié à la terre ou à la masse, directement ou indirectement.
- **N'exposez pas les outils électriques à la pluie ou à un environnement mouillé.** Si de l'eau pénètre dans un outil électrique, cela accroît le risque de choc électrique.
- **Ne maltraitez pas le cordon d'alimentation. Ne l'utilisez jamais pour porter, tirer ou débrancher l'outil électrique. Veillez à ce qu'il n'entre jamais en contact avec de l'huile, des pièces mobiles, des arêtes tranchantes, et ne soit jamais exposé à de la chaleur.** Les cordons d'alimentation endommagés ou emmêlés augmentent le risque de choc électrique.
- **Quand vous utilisez un outil électrique en extérieur, utilisez une rallonge électrique adaptée à un usage en extérieur.** L'utilisation d'une rallonge conçue pour un usage en extérieur permet de réduire le risque de choc électrique.
- **S'il est impossible d'éviter d'utiliser un outil électrique dans un endroit humide, utilisez une alimentation protégée par un disjoncteur de fuite à la terre (DDFT).** L'utilisation d'un DDFT réduit le risque de choc électrique.

SÉCURITÉ DES PERSONNES

- **Restez vigilant, soyez attentif à ce que vous faites et faites preuve de bon sens lors de l'utilisation d'un outil électrique. N'utilisez pas un outil électrique quand vous êtes fatigué, sous l'emprise de l'alcool, de stupéfiants ou de médicaments.** Un moment d'inattention pendant l'utilisation d'un outil électrique peut provoquer des blessures corporelles graves.
- **Utilisez des équipements de protection individuelle. Portez toujours une protection oculaire.** L'utilisation d'équipements de protection appropriés aux conditions de travail, tels que masque antipoussières, chaussures de sécurité antidérapantes, casque et protections auditives, permet de réduire les risques de blessures corporelles.

- **Évitez les démarrages accidentels. Vérifiez que l'interrupteur marche/arrêt est dans la position arrêt avant de brancher l'outil dans une prise électrique et/ou une batterie, de le saisir ou de le transporter.** Transporter un outil électrique les doigts sur son interrupteur marche/arrêt ou le brancher dans une alimentation électrique alors que son interrupteur marche/arrêt est dans la position marche favorise les accidents.
- **Retirez les clés de réglage et de serrage avant de mettre l'outil en marche.** Une clé de réglage ou de serrage laissée sur une pièce rotative de l'outil électrique peut provoquer des blessures corporelles.
- **N'essayez pas d'atteindre des endroits difficiles à atteindre. Ayez toujours des appuis des pieds solides et conservez constamment un bon équilibre.** Cela vous garantit un meilleur contrôle de l'outil électrique en cas de situations inattendues.
- **Portez une tenue appropriée. Ne portez pas de vêtement ample ni de bijou. Maintenez vos cheveux, vêtements et gants éloignés des pièces mobiles.** Les vêtements amples, les bijoux et les cheveux longs peuvent se prendre dans les pièces mobiles.
- **Si un outil est conçu pour être utilisé avec des dispositifs d'extraction et de récupération des poussières, veillez à ce que ces dispositifs soient raccordés et correctement utilisés.** L'utilisation de dispositifs de récupération des poussières permet de réduire les dangers liés aux poussières.
- **Veillez à ne pas devenir trop sûr(e) de vous et continuez à respecter les principes de sécurité même si vous vous sentez familiarisé(e) à l'utilisation de l'outil.** La négligence peut provoquer des blessures graves en une fraction de seconde.

UTILISATION ET ENTRETIEN DES OUTILS ÉLECTRIQUES

- **Ne forcez pas l'outil électrique. Utilisez l'outil électrique adapté au travail à effectuer.** L'utilisation d'un outil approprié au travail à effectuer permet d'effectuer ce travail plus efficacement, avec une sécurité accrue et au rythme pour lequel l'outil a été conçu.
- **N'utilisez pas un outil électrique si son interrupteur marche/arrêt ne permet plus de l'allumer ou de l'éteindre.** Tout outil électrique qui ne peut pas être contrôlé par son interrupteur marche/arrêt est dangereux et doit être réparé.
- **Débranchez la fiche électrique de la prise secteur et/ou retirez la batterie de l'outil électrique avant de procéder à des réglages, de changer des accessoires ou de ranger l'outil électrique.** Cette mesure de sécurité préventive réduit le risque de démarrage accidentel de l'outil électrique.
- **Rangez les outils électriques non utilisés hors de portée des enfants. Ne laissez aucune personne non familiarisée avec l'outil électrique ou ce manuel d'utilisation l'utiliser.** Les outils électriques sont dangereux dans les mains de personnes inexpérimentées.
- **Entretenez les outils électriques. Inspectez-les pour vérifier qu'aucune pièce mobile n'est grippée ou mal alignée, qu'aucune pièce n'est cassée, et pour tout autre problème qui pourrait affecter leur fonctionnement. Si un outil électrique est endommagé, il doit être réparé avant d'être utilisé.** Beaucoup d'accidents sont dus à des outils électriques mal entretenus.
- **Veillez à ce que les accessoires de coupe restent affûtés et propres.** Des accessoires de coupes bien entretenus et bien affûtés risquent moins de se coincer et facilitent le contrôle de l'outil.
- **Utilisez l'outil électrique, ses accessoires, mâches/embouts et toutes les autres pièces conformément aux présentes instructions, en prenant en compte les conditions d'utilisation et le travail à effectuer.** Utiliser l'outil électrique à d'autres finalités que celles pour lesquelles il a été conçu peut engendrer des situations dangereuses.
- **Maintenez les poignées et surfaces de préhension propres, sèches et exemptes d'huile et de graisse.** Les poignées et surfaces de préhension glissantes ne permettent pas de tenir et de contrôler l'outil de manière sûre en cas de situations inattendues.

UTILISATION ET ENTRETIEN DES OUTILS ALIMENTÉS PAR BATTERIE

- **La batterie ne doit être rechargée qu'avec le chargeur spécifié par le fabricant.** Un chargeur adapté à un type de batterie peut présenter un risque d'incendie s'il est utilisé avec une batterie différente.
- **Utilisez les outils électriques exclusivement avec les batteries spécifiées.** L'utilisation de toute autre batterie peut créer un risque de blessures et d'incendie.
- **Quand la batterie n'est pas utilisée, elle doit être rangée loin de tout objet métallique, tel que trombone, pièce de monnaie, clef, clou, vis et tout autre petit objet métallique qui risquerait de mettre en contact ses bornes.** Court-circuiter les bornes de la batterie peut provoquer des brûlures et un incendie.

- Si la batterie est soumise à des conditions d'utilisation excessives, du liquide peut s'échapper. Évitez tout contact avec ce liquide. En cas de contact accidentel, rincez à grande eau. En cas de contact avec les yeux, vous devez en outre consulter un médecin. Le liquide qui s'échappe de la batterie peut provoquer des irritations et des brûlures.
- N'utilisez pas une batterie ou un outil endommagé ou modifié. Les batteries modifiées ou endommagées peuvent avoir un comportement imprévisible provoquant un incendie, une explosion ou un risque de blessure.
- N'exposez pas la batterie ou l'outil à des flammes ou à une température excessive. L'exposition au feu ou à des températures supérieures à 130 °C peut provoquer une explosion.
- Respectez toutes les instructions de recharge et ne rechargez pas la batterie ou l'outil hors de la plage de température spécifiée dans les instructions. La recharge incorrecte ou à des températures hors de la plage spécifiée peut endommager la batterie et accroître le risque d'incendie.

SERVICE

- Faites réparer votre outil électrique par un réparateur qualifié qui ne doit utiliser que des pièces de rechange identiques. Cela garantit que l'outil électrique reste sûr.
- Ne réparez jamais les batteries endommagées. La réparation des batteries doit toujours être effectuée par le fabricant ou des réparateurs agréés.

LISEZ TOUTES LES INSTRUCTIONS AVANT D'UTILISER CE PRODUIT !

FORMATION

- N'autorisez jamais les enfants, les personnes dont les capacités physiques, sensorielles ou mentales sont réduites, les personnes manquant d'expérience et de connaissance, et les personnes non familiarisées avec ce manuel d'utilisation à utiliser l'outil.
- L'opérateur ou l'utilisateur est responsable des accidents ou dommages causés à des tiers ou à leurs biens.

PRÉPARATION

- L'outil électrique peut être utilisé sous la pluie et dans les environnements mouillés. Séchez l'outil électrique après avoir terminé le travail.

- Avant utilisation, inspectez les batteries pour vérifier qu'elles ne sont pas endommagées. N'utilisez pas l'outil si les batteries sont endommagées.

FONCTIONNEMENT

- L'outil électrique peut être utilisé sous la pluie et dans les environnements mouillés. Séchez l'outil électrique après avoir terminé le travail.
- Débranchez les batteries :
 1. À chaque fois que vous laissez l'outil sans surveillance.
 2. Avant d'éliminer un bourrage.
 3. Avant d'inspecter, de nettoyer ou de travailler sur l'outil.
 4. Si l'outil se met à vibrer anormalement.
- Ayez toujours des appuis des pieds sûrs sur les pentes.
- Marchez, ne courez jamais.
- Veillez à ce que toutes les ouïes de refroidissement restent toujours libres de tout débris.
- Il est recommandé d'utiliser l'outil uniquement à des horaires raisonnables – Ne l'utilisez pas tôt le matin ou tard le soir, car cela peut déranger vos voisins.
- Il est recommandé de légèrement humidifier les surfaces des environnements poussiéreux ou d'utiliser un accessoire de brumisation.

⚠ AVERTISSEMENT: Danger dû aux pièces rotatives !

- Utilisez tous les tubes d'extension de soufflage pour que le jet d'air soit projeté près du sol.
- N'utilisez pas l'outil près de fenêtres ouvertes, etc.

ENTRETIEN ET RANGEMENT

- Veillez à ce que tous les écrous, vis et boulons soient bien serrés pour garantir que l'outil est en bon état de marche.
- Changez les pièces usées ou endommagées.
- Utilisez exclusivement des pièces de rechange et des accessoires d'origine.
- Rangez l'appareil uniquement dans un endroit sec.

⚠ AVERTISSEMENT: Pour réduire les risques d'incendie, de choc électrique ou de blessures :

IMPORTANT

LIRE ATTENTIVEMENT AVANT UTILISATION.

CONSERVER POUR CONSULTATION ULTÉRIEURE.

- **Veillez à ce que le souffleur ne soit pas utilisé comme un jouet. Une supervision étroite est nécessaire quand l'outil est utilisé par ou près d'enfants.**
- **Si le souffleur ne fonctionne pas comme il devrait, s'il est tombé, s'il a été endommagé ou s'il est tombé dans de l'eau, apportez-le à un centre de réparation.**
- **N'insérez aucun objet dans aucune ouverture. N'utilisez pas le produit si l'une de ses ouvertures est bouchée. Maintenez toutes les ouvertures exemptes de poussières, peluches, cheveux/poils et de tout ce qui pourrait réduire le flux d'air.**
- **Faites particulièrement attention quand vous nettoyez des escaliers.**
- **Ne laissez pas le souffleur sans surveillance quand la fiche de la batterie est insérée. Retirez la batterie quand le souffleur n'est pas utilisé et avant de le réparer/de l'entretenir.**
- **Ne manipulez pas le chargeur, y compris sa fiche, ni les contacts du chargeur avec les mains mouillées.**
- **Ne rechargez pas la batterie à l'extérieur.**

AVERTISSEMENT:

- La batterie doit être retirée de la machine avant la mise au rebut.
- La batterie doit être mise au rebut d'une manière sûre.
- **N'ESSAYEZ PAS** d'enlever les bourrages de l'outil sans avoir d'abord retiré la batterie.
- **Veillez à ce que le souffleur et sa poignée restent propres, secs et exempts d'huile et de graisse.** Utilisez toujours un chiffon propre pour nettoyer l'outil. N'utilisez jamais de liquide de frein, d'essence, de produit à base de pétrole, ni de solvant puissant pour nettoyer votre souffleur. Respecter cette règle permet de réduire le risque de perte de contrôle et de détérioration du plastique du boîtier.
- **Les batteries peuvent exploser en présence d'une source d'embrasement, par exemple une flamme pilote.** Pour réduire le risque de blessure corporelle

grave, n'utilisez jamais aucun produit sans fil en présence d'une flamme nue. Une batterie qui explose peut projeter des débris et des substances chimiques. En cas d'exposition, rincez immédiatement à grande eau.

- **Ne faites jamais fonctionner l'outil sans l'équipement approprié attaché.** Veillez toujours à ce que le tube du souffleur soit assemblé.
- **N'utilisez jamais le souffleur près de feux ou de cendres chaudes.** L'utilisation près de feux ou de cendres peut provoquer la propagation des flammes et engendrer des blessures graves et/ou des dommages matériels.
- **N'utilisez jamais le souffleur pour répandre des produits chimiques, des engrais, ni aucune autre substance toxique.** Répandre ces substances peut provoquer des blessures graves chez l'opérateur et les autres personnes présentes.
- **Conservez le présent mode d'emploi.** Consultez-le fréquemment et servez-vous-en pour instruire les autres personnes devant utiliser cet outil. Si vous prêtez cet outil à un tiers, prêtez-lui également ce manuel d'utilisation pour éviter l'utilisation incorrecte du produit et des blessures potentielles.

CONSERVEZ CE MANUEL D'UTILISATION!

SPÉCIFICATIONS

Tension	56V
Volumen de aire máximo en la boquilla	986 m³/h
Température d'utilisation recommandée	-15°C-40°C
Température de stockage recommandée	-20°C-70°C
La vitesse de l'air maximale	65m/s (sans buse ronde)
	75m/s (Avec buse ronde)
Autonomie approximative (avec la batterie EGO 5,0 Ah)	18 min (Boost mode)
	30 min (High Speed)
	200 min (Low speed)
Force de soufflage maximale	18N
Poids du souffleur (sans batterie)	2,18 kg

FR

Niveau de puissance acoustique mesuré L_{WA}	94,73 dB(A) K=2,83 dB(A)
Niveau de pression acoustique au niveau des oreilles de l'opérateur L_{PA}	78,4 dB(A) K=2,5 dB(A)
Niveau de puissance acoustique garanti L_{WA} (conformément à la norme 2000/14/CE)	98 dB(A)
Vibration a_h	0,505 m/s ² K=1,5 m/s ²

- La valeur totale des vibrations indiquée a été mesurée selon une procédure conforme à une méthode de test standardisée et peut servir pour comparer différents outils.
- La valeur totale des vibrations indiquée peut également servir pour effectuer une première évaluation de l'exposition.

REMARQUE : L'émission de vibrations pendant l'utilisation réelle de l'outil électrique est fonction de la manière dont il est utilisé et peut différer de la valeur indiquée. Pour se protéger, l'opérateur doit porter des gants et un casque antibruit dans les conditions actuelles d'utilisation.

CONTENU DE L'EMBALLAGE

NOM DE PIÈCE	QUANTITÉ
Souffleur	1
Tube de soufflage	1
Buse	2
Manuel d'utilisation	1

DESCRIPTION

DESCRIPTION DE VOTRE SOUFFLEUR (Image A)

1. Buse plate
2. Buse ronde
3. Tube de soufflage
4. Bouton de déverrouillage du tube
5. Base
6. Entrée d'air
7. Éjection de la batterie
8. Contacts électriques
9. Loquet
10. Bouton de déblocage de la batterie
11. Gâchette de la vitesse de l'air

12. Bouton Turbo
13. Bouton Vitesse/Verrouillage

AVERTISSEMENT : L'utilisation sécurisée de ce produit nécessite de comprendre les informations présentes sur l'outil et dans ce manuel d'utilisation, ainsi que de connaître le travail que vous voulez effectuer. Avant d'utiliser ce produit, familiarisez-vous avec toutes ses fonctions et toutes les consignes de sécurité.

ASSEMBLAGE

AVERTISSEMENT : Veillez à ne pas devenir moins prudent au fur et à mesure que vous vous familiarisez avec cet outil. Gardez à l'esprit qu'une fraction de seconde d'inattention peut suffire pour provoquer des blessures graves.

AVERTISSEMENT : N'essayez jamais de modifier l'outil ni de créer des accessoires non recommandés pour être utilisés avec ce souffleur. De tels modifications et changements constituent une utilisation impropre et peuvent engendrer des situations dangereuses

AVERTISSEMENT : Pour prévenir un démarrage accidentel pouvant provoquer des blessures corporelles graves, retirez toujours la batterie de l'outil lors de l'assemblage de pièces.

APPLICATION

Vous pouvez utiliser ce produit pour les usages listés ci-dessous :

- Nettoyer des surfaces dures telles que les voies d'accès et les allées.
- Maintenir les terrasses et les voies d'accès exemptes de feuilles et d'aiguilles de pin.

REMARQUE : L'outil ne doit être utilisé qu'à la finalité spécifiée pour lui. Tout autre usage est considéré impropre.

ASSEMBLER/RETIRER LE TUBE DE SOUFFLAGE

- **Assemblage (Image B&C)**
Alignez la rainure et poussez le tube sur le boîtier du souffleur jusqu'à entendre un déclic.
- **Retrait (Image D)**
Appuyez sur le bouton de déblocage du tube et tirez le tube hors du boîtier.

ASSEMBLER/DÉMONTÉ LA BUSE RONDE/PLATE DU SOUFFLEUR

- **Assemblage (Image E&F)**
Alignez la rainure de la buse plate avec l'ergot du tube et enfoncez la buse sur le tube jusqu'à ce qu'ils s'encastrent.

■ **Démontage (Image G)**

Maintenez le bouton de déblocage de la buse appuyé pour désengager le loquet, puis tirez la buse en ligne droite hors du souffleur.

REMARQUE : Respectez le même ordre pour assembler ou démonter la buse plate.

INSTALLER/RETIRER LA BATTERIE

Rechargez la batterie avant la première utilisation.

Utilisez exclusivement les batteries et les chargeurs listes à la fig. A.

■ **Installation (Image H)**

Alignez les arêtes de la batterie avec les rainures d'assemblage et appuyez la batterie vers le bas jusqu'à entendre un déclic.

■ **Retrait (Image I)**

Appuyez sur le bouton de déblocage de la batterie et tirez la batterie hors de l'outil.

⚠ AVERTISSEMENT : Soyez toujours conscient de la position de vos pieds, des enfants et des animaux lorsque vous appuyez sur le bouton de déblocage de la batterie. Si la batterie tombe, cela peut provoquer des blessures graves. Ne retirez JAMAIS la batterie dans une position haute.

Image H Description des pièces, voir ci-dessous :

H-1	Bouton de déblocage de la batterie	H-3	Rainure d'assemblage
H-2	Arête de la batterie		

ALLUMER/ÉTEINDRE LE SOUFFLEUR (Image J)

■ **Gâchette de la vitesse de l'air uniquement**

1. Appuyez sur la gâchette de la vitesse de l'air pour allumer le souffleur.
2. La vitesse de l'air du souffleur est contrôlée par la gâchette à vitesse variable. Plus vous appuyez sur la gâchette, plus la vitesse de l'air est élevée ; • moins vous appuyez sur la gâchette, plus la vitesse de l'air est basse. Réglez la vitesse pour l'adapter au travail à effectuer.
3. Relâchez la gâchette de la vitesse de l'air pour éteindre le souffleur.

■ **Bouton Vitesse/Verrouillage uniquement**

Le souffleur peut être allumé et verrouillé dans n'importe quelle vitesse avec le bouton Vitesse/Verrouillage.

1. Tournez le bouton Vitesse/Verrouillage dans le sens horaire pour allumer le souffleur. La vitesse de l'air augmente quand le bouton est tourné dans le sens horaire.

2. Pour réduire la vitesse de l'air, tournez le bouton Vitesse/Verrouillage dans le sens antihoraire.
3. Continuez de tourner le bouton Vitesse/Verrouillage dans le sens antihoraire jusqu'à la position d'arrêt pour éteindre le souffleur.

REMARQUE : Si le bouton Vitesse/Verrouillage n'est pas retourné sur la position d'arrêt après avoir allumé le souffleur, le souffleur ne démarrera pas quand le bouton Vitesse/Verrouillage sera actionné avec une batterie rechargée installée. C'est une fonction de sécurité destinée à prévenir un démarrage accidentel. Appuyez sur la gâchette de la vitesse de l'air pour désactiver la protection.

Appuyez sur le bouton Turbo quand l'appareil est allumé pour accroître temporairement la vitesse de l'air jusqu'à son maximum. Le souffleur retourne à la vitesse précédente quand le bouton Turbo est relâché.

Image J Description des pièces, voir ci-dessous :

J-1	Bouton Vitesse/Verrouillage	J-3	Gâchette de la vitesse de l'air
J-2	Bouton Turbo		

Conseils d'utilisation du souffleur

- Pour éviter d'éparpiller les débris, soufflez autour des bords externes du tas de débris. Ne soufflez jamais directement au centre d'un tas.
- Afin de réduire le niveau sonore, limitez le nombre d'outils utilisés au même moment.
- Avant d'utiliser l'outil, décoinchez les débris avec un râteau et un balai. Dans les environnements poussiéreux, humidifiez légèrement les surfaces avec de l'eau si disponible.
- Faites attention aux enfants, animaux de compagnie, fenêtres ouvertes et voitures récemment nettoyées. Soufflez les débris en les éloignant d'une manière non dangereuse.
- Après avoir utilisé un souffleur ou un autre outil, nettoyez-le ! Mettez les débris au rebut d'une manière appropriée.
- Il est recommandé de ne pas utiliser le souffleur à haute vitesse pendant longtemps, car le bruit et les vibrations importantes peuvent être nocifs pour votre santé.

ENTRETIEN

FR

⚠ AVERTISSEMENT : L'outil ne doit être réparé qu'avec des pièces de rechange identique. L'utilisation de toute autre pièce peut créer un danger ou détériorer le produit. Pour garantir la sécurité et la fiabilité, toutes les réparations doivent être effectuées par un réparateur qualifié.

⚠ AVERTISSEMENT : Afin de vous prémunir contre des blessures corporelles graves, retirez toujours la batterie de l'outil avant de le nettoyer ou de l'entretenir.

ENTRETIEN GÉNÉRAL

N'utilisez pas de solvant pour nettoyer les pièces en plastique. La plupart des plastiques peuvent être détériorés par de nombreux solvants différents vendus dans le commerce. Utilisez des chiffons propres pour enlever les saletés, les poussières, l'huile, la graisse, etc.

⚠ AVERTISSEMENT : Veillez à ce que les pièces en plastique de l'outil n'entrent jamais en contact avec du liquide de frein, de l'essence, des produits à base de pétrole, du dégrissant, etc. Les produits chimiques peuvent endommager, fragiliser ou détruire les pièces en plastique, ce qui peut provoquer des blessures corporelles graves.

RANGEMENT

- Retirez la batterie du souffleur.
- Enlevez toutes les matières étrangères des entrées d'air du souffleur.
- Rangez l'outil en intérieur dans un endroit inaccessible aux enfants. Veillez à ce qu'il reste éloigné des produits corrosifs, par exemple des produits chimiques de jardinage et des sels de déverglacage.

Protection de l'environnement



Ne jetez pas les équipements électriques, les chargeurs de batterie, les batteries rechargeables et les piles avec les ordures ménagères !

Conformément à la directive européenne 2012/19/UE, les équipements électriques et électroniques qui ne sont plus utilisables, et conformément à la directive européenne

2006/66/CE, les batteries rechargeables et les accumulateurs usagés ou défectueux doivent être collectés séparément et mis au rebut d'une manière respectueuse de l'environnement.

Si les appareils électriques sont jetés dans des décharges ou des dépôts d'ordures, des substances dangereuses peuvent s'infiltrer jusque dans la nappe phréatique et entrer dans la chaîne alimentaire, avec un effet néfaste sur votre santé et votre bien-être.

DÉPANNAGE

PROBLÈME	CAUSE	SOLUTION
Le souffleur ne fonctionne pas.	<ul style="list-style-type: none"> ■ La batterie n'est pas insérée dans le souffleur. ■ Il n'y a pas de contact électrique entre le souffleur et la batterie. ■ La batterie est déchargée. ■ La batterie ou le souffleur est trop chaud. ■ Le bouton Vitesse/Verrouillage n'a pas été retourné sur la position d'arrêt avant d'allumer le souffleur. 	<ul style="list-style-type: none"> ■ Insérez la batterie dans le souffleur. ■ Retirez la batterie, inspectez les contacts, puis réinsérez la batterie. ■ Rechargez la batterie. ■ Laissez la batterie et le souffleur refroidir jusqu'à ce que leur température devienne inférieure à 67 °C. ■ Appuyez sur la gâchette de la vitesse de l'air pour désactiver la protection et allumer le souffleur ou tournez d'abord le bouton Vitesse/Verrouillage sur la position d'arrêt.
La vitesse de l'air baisse de manière significative.	<ul style="list-style-type: none"> ■ La turbine du moteur est excessivement usée. ■ L'entrée d'air est bouchée par des débris. 	<ul style="list-style-type: none"> ■ Contactez un centre de réparation EGO pour faire réparer l'outil. ■ Retirez la batterie de l'outil et enlevez les débris.

FR

GARANTIE

POLITIQUE DE GARANTIE EGO

Rendez-vous sur le site Internet egopowerplus.com pour consulter les termes et conditions complets de la politique de garantie EGO.

LEA TODAS LAS INSTRUCCIONES!



LEA EL MANUAL DEL USUARIO

ES

AVISO: Estas instrucciones están disponibles también en un formato alternativo, por ejemplo, en una página web.

⚠ Riesgo residual! Aquellas personas con implantes electrónicos, tales como marcapasos, deberán consultar a su médico antes de utilizar este producto. La utilización de equipos eléctricos a proximidad de un marcapasos podría causar en este interferencias o averías.

⚠ ADVERTENCIA: Para garantizar la seguridad y fiabilidad de la herramienta, confíe cualquier reparación y sustitución de piezas que sea necesaria a personal técnico cualificado.

SÍMBOLOS RELACIONADOS CON LA SEGURIDAD

El propósito de los símbolos de seguridad es el de atraer su atención hacia los posibles peligros que conlleva la utilización del producto. Los símbolos de seguridad y las explicaciones que los acompañan requieren su máxima atención y comprensión. Por sí solos, los símbolos de advertencia no eliminan los posibles peligros que pudieran existir. Las instrucciones y advertencias que aquí se incluyen no son sustitutas en modo alguno de las medidas de prevención adecuadas que deben tomarse para evitar posibles accidentes.

⚠ ADVERTENCIA: Antes de utilizar esta herramienta, asegúrese de haber leído y entendido perfectamente todas las instrucciones incluidas en este Manual del usuario, incluidos todos los símbolos de aviso sobre seguridad, tales como **"PELIGRO"**, **"ADVERTENCIA"** y **"PRECAUCIÓN"**. De no observarse todas las instrucciones proporcionadas a continuación podría existir un riesgo de incendio, electrocución, así como de lesiones físicas graves.

MENSAJES INFORMATIVOS Y DE PREVENCIÓN DE DAÑOS

Proporcionan al usuario información y/o instrucciones importantes que, de ignorarse, podrían dañar la herramienta o provocar daños materiales. Cada mensaje va precedido por la palabra **"AVISO"**; según se muestra en el ejemplo siguiente:

AVISO: De no observarse estas instrucciones podrán producirse daños materiales o en la herramienta.



⚠ ADVERTENCIA: Es posible que, cuando se utilizan herramientas eléctricas, salgan despedidos objetos que podrían causar lesiones oculares severas si no se utiliza equipo de protección personal adecuado. Antes de empezar a usar herramientas eléctricas, póngase siempre gafas de seguridad, gafas con cristales anti-impacto que cuenten con pantallas de protección lateral, o bien una máscara facial que proteja completamente la cara. Recomendamos la utilización de máscaras de seguridad de amplia visión que pueden utilizarse encima de gafas graduadas, o bien gafas normales de seguridad equipadas con pantallas laterales.

INSTRUCCIONES RELACIONADAS CON LA SEGURIDAD

Esta página muestra y describe los símbolos de seguridad que puede haber en este producto. Asegúrese de leer, entender perfectamente y observar todas las instrucciones estampadas o proporcionadas con el producto antes de proceder a su montaje y utilización.

	Aviso de seguridad	Se trata de precauciones relacionadas con su seguridad.
	Utilizar protección ocular	Utilice siempre utilice gafas de seguridad, gafas con cristales anti-impacto que cuenten con pantallas de protección lateral, o bien una máscara facial que proteja completamente la cara cuando se sirva de este producto.
	Utilizar protección auditiva	Utilice siempre protección auditiva cuando se sirva de este producto.
	Leer el Manual del usuario	Para reducir el riesgo de lesiones, el usuario debe leer y comprender perfectamente el manual del usuario antes usar este producto.
	Mantener a terceros apartados de la zona donde se esté utilizando la herramienta	Mantenga a terceros a una distancia de seguridad mínima de 15m de la zona donde se esté utilizando la herramienta.

V	Voltios	Tensión
A	Amperios	Corriente
Hz	Hercios	Frecuencia (ciclos por segundo)
W	Vatios	Potencia eléctrica
min	Minutos	Tiempo
m³/h	Metros cúbicos/hora	Caudal de aire
km/h	Kilómetros/hora	Velocidad del aire soplado
	Corriente alterna	Tipo de corriente
	Corriente continua	Tipo o característica de la corriente
n ₀	Velocidad en vacío	Velocidad de giro, sin carga
... /min	Por minuto	Revoluciones por minuto

Quando se utilicen herramientas eléctricas, deberán observarse siempre ciertas precauciones básicas, incluidos los puntos indicados a continuación:

MEDIDAS DE SEGURIDAD GENERALES DE LA HERRAMIENTA ELÉCTRICA

⚠ ADVERTENCIA: LEA TODAS LAS ADVERTENCIAS, INSTRUCCIONES, ILUSTRACIONES Y ESPECIFICACIONES INCLUIDAS CON ESTA HERRAMIENTA ELÉCTRICA. Si no se cumplen todas las instrucciones que se enumeran a continuación, pueden producirse descargas eléctricas, incendios o lesiones graves.

CONSERVE TODAS LAS INSTRUCCIONES Y ADVERTENCIAS PARA FUTURAS CONSULTAS.

El término “herramientas eléctricas” que aparece en las advertencias se refiere tanto a aquellas herramientas que funcionan conectadas a la red eléctrica (mediante cable) como a aquellas otras que funcionan con acumuladores (inalámbricas).

SEGURIDAD EN LA ZONA DE TRABAJO

- **Mantenga la zona de trabajo limpia y bien iluminada.** Aquellas áreas desordenadas o insuficientemente iluminadas son más propensas a accidentes.

- **No utilice herramientas eléctricas en entornos explosivos, por ejemplo, en presencia de gasolina, o bien de líquidos, gases o polvo inflamables.** Las herramientas eléctricas generan chispas que podrían actuar como detonante de vapores y partículas de polvo inflamables.
- **Mantenga a niños y demás personas a una distancia prudente mientras utiliza herramientas eléctricas.** Cualquier distracción podría hacerle perder el control de la herramienta.

SEGURIDAD ELÉCTRICA

- **Los enchufes de las herramientas eléctricas deberán coincidir con el tipo de toma de corriente donde vayan a conectarse. Nunca modifique los enchufes en modo alguno. Nunca utilice enchufes adaptadores o ladrones de corriente con herramientas eléctricas equipadas con conexión a tierra.** Unos enchufes sin modificar y que coincidan perfectamente con sus tomas de corriente reducirán enormemente los riesgos de electrocución.
- **Evite cualquier contacto corporal con superficies conectadas a tierra tales como tuberías, radiadores, hornillos eléctricos y frigoríficos.** Existirá un mayor riesgo de electrocución si su cuerpo actúa como conductor a tierra con dichos elementos y dispositivos.
- **No exponga las herramientas eléctricas a la acción de la lluvia ni a entornos húmedos.** La penetración de agua en una herramienta eléctrica aumentará el riesgo de electrocución.
- **No maltrate el cable de alimentación eléctrica. Nunca utilice el cable para transportar, arrastrar, o desenchufar la herramienta eléctrica. Mantenga el cable apartado de fuentes de calor, aceite, cantos afilados o elementos móviles.** Unos cables dañados o enredados aumentarán los riesgos de electrocución.
- **Cuando utilice una herramienta eléctrica al aire libre, asegúrese de utilizar alargaderas de corriente especificadas para uso en exteriores.** La utilización de un cable adecuado para uso en exteriores reducirá el riesgo de electrocución.
- **De no poderse evitar la utilización de una herramienta eléctrica en un entorno húmedo, asegúrese de conectarla a una instalación eléctrica equipada con un interruptor de protección diferencial.** La utilización de un interruptor de protección diferencial reducirá el riesgo de electrocución.

SEGURIDAD PERSONAL

- **Manténgase alerta, concéntrese en lo que esté haciendo y utilice siempre su sentido común cuando se sirva de herramientas eléctricas. No utilice herramientas eléctricas si está cansado o se encuentra bajo los efectos de estupefacientes, alcohol o fármacos.** Cualquier momento de descuido durante la utilización de herramientas eléctricas podría dar lugar a lesiones físicas graves.
- **Utilice equipo de protección personal. Utilice siempre protección ocular.** La utilización de equipos de protección tales como mascarillas antipolvo, calzado de seguridad antideslizante, cascos de seguridad o protección auditiva en las circunstancias que así lo requieran reducirá el riesgo de lesiones físicas.
- **Procure evitar la activación fortuita de la herramienta. Asegúrese de que el interruptor de encendido se encuentra en la posición de apagado antes de enchufar la herramienta a la red eléctrica y/o de acoplar el acumulador, así como al recoger o transportar la herramienta.** El hecho de transportar herramientas eléctricas con el dedo apoyado en el gatillo o interruptor de activación, o bien de enchufarlas a una toma de corriente o acoplar su acumulador mientras su interruptor está en la posición de encendido es propicio a causar accidentes.
- **Retire cualquier llave o útil de ajuste antes de poner en marcha la herramienta.** Cualquier llave o útil sujeto a un elemento rotativo de la herramienta eléctrica podría ocasionar lesiones físicas.
- **No se estire demasiado para alcanzar lugares de difícil acceso. Mantenga en todo momento un buen equilibrio y los pies firmemente apoyados en el suelo.** De esta manera, tendrá un mejor control de la herramienta eléctrica en caso de producirse alguna situación inesperada.
- **Utilice ropa adecuada. No lleve puesta ropa holgada ni joyas. Mantenga cabellos, ropa y guantes a una distancia prudente de los elementos móviles de la herramienta.** La ropa holgada, así como las joyas o el pelo largo podrían engancharse en las partes móviles de la herramienta.
- **De suministrarse dispositivos de conexión a extractores y colectores de polvo, asegúrese de conectarlos y utilizarlos de la manera adecuada.** La utilización de dispositivos colectores de polvo podrá reducir notablemente los peligros ocasionados por el polvo.

- **El hecho de haberse familiarizado con la herramienta por el uso frecuente no debe hacer que se descuide e ignore los principios de seguridad.** Una distracción puede provocar lesiones graves en una fracción de segundo.

UTILIZACIÓN Y CUIDADO DE LAS HERRAMIENTAS ELÉCTRICAS

- **No fuerce las herramientas eléctricas. Utilice la herramienta eléctrica apropiada para el trabajo que vaya a realizar.** La utilización de la herramienta correcta a la velocidad de funcionamiento para la que ha sido diseñada le ayudará a efectuar el trabajo de manera más fácil y segura.
- **No utilice ninguna herramienta eléctrica cuyo interruptor de encendido/apagado no funcione como es debido.** Cualquier herramienta que no pueda controlarse mediante su interruptor, supondrá un peligro y deberá repararse antes de poder utilizarse.
- **Asegúrese siempre de retirar el enchufe de la toma de corriente y/o el acumulador de las herramientas eléctricas antes de ajustarlas, cambiar sus accesorios o guardarlas.** Estas medidas preventivas de seguridad reducirán enormemente el riesgo de que la herramienta pueda activarse de manera fortuita.
- **Almacene las herramientas eléctricas apagadas fuera del alcance de niños y no permita en ningún momento que aquellas personas que no estén lo suficientemente familiarizadas con estas instrucciones o este tipo de herramientas las utilicen.** Las herramientas eléctricas son extremadamente peligrosas en manos de aquellas personas que no cuentan con la debida formación o experiencia para su uso.
- **Lleve a cabo el mantenimiento que sea necesario en sus herramientas eléctricas. Examine las herramientas eléctricas por si alguno de sus elementos móviles estuviera desalineado o doblado, y verifique también que no haya piezas rotas ni se observe ninguna otra condición que pudiera comprometer su funcionamiento correcto. De observarse cualquier tipo de daño, asegúrese de llevar a reparar la herramienta eléctrica antes de utilizarla.** Numerosos accidentes se producen como consecuencia de un mantenimiento deficiente de las herramientas eléctricas.
- **Mantenga las herramientas de corte limpias y afiladas.** El mantenimiento correcto de las herramientas de corte, asegurándose de que sus filos estén bien afilados, las hace menos propensas a atascarse y permite controlarlas con más facilidad.

- **Utilice la herramienta eléctrica, así como sus accesorios, brocas, puntas de destornillador, etc., conforme a lo indicado en estas instrucciones y teniendo siempre en cuenta las condiciones de trabajo, así como la tarea a efectuar.** La utilización de herramientas eléctricas para propósitos distintos a aquellos para los que han sido diseñadas podría suponer un peligro.
- **Mantenga las asas y las superficies de agarre secas, limpias y libres de aceite y grasa.** Si las asas y las superficies de agarre están resbaladizas, no se puede manejar la herramienta de forma segura ni mantener el control en las situaciones inesperadas.

UTILIZACIÓN Y CUIDADO DEL ACUMULADOR DE LA HERRAMIENTA

- **Recargue la herramienta utilizando únicamente el cargador especificado por el fabricante.** Un cargador adecuado para cierto tipo de acumulador podrá suponer un riesgo de incendio si se utiliza con un acumulador distinto.
- **Utilice únicamente las herramientas eléctricas con acumuladores específicamente diseñados para estas.** La utilización de acumuladores distintos podría suponer un riesgo de lesiones físicas e incendio.
- **Cuando no se esté utilizando el acumulador, manténgalo apartado de objetos metálicos tales como clips para papeles, monedas, llaves, clavos, tornillos, o de cualquier otro objeto metálico pequeño que pudiera provocar un cortocircuito en sus terminales de corriente.** De cortocircuitarse los terminales del acumulador, podrían producirse quemaduras o incendios.
- **En condiciones de uso intensivo, es posible que se produzca una fuga de ácido de los acumuladores. Evite cualquier contacto con dicho electrolito. De producirse cualquier contacto accidental, enjuague la zona corporal afectada con abundante agua. Si el electrolito llegara a penetrar en los ojos, deberá solicitarse atención médica urgente.** El líquido emanado del acumulador podría causar irritación o quemaduras.
- **No utilice una batería o una herramienta que haya sido modificada o que esté dañada.** Las baterías dañadas o modificadas pueden tener un comportamiento impredecible y provocar un incendio, explosión o riesgo de lesiones.
- **No exponga la batería ni la herramienta al fuego ni a una temperatura excesiva.** La exposición al fuego o a una temperatura superior a 130 °C podría provocar una explosión.

- **Siga todas las instrucciones de carga y no cargue la batería ni la herramienta fuera del rango de temperatura especificado en las instrucciones.**

Una carga incorrecta o a temperaturas fuera del rango especificado puede dañar la batería y aumentar el riesgo de incendio.

SERVICIO TÉCNICO

- **Las reparaciones de las herramientas eléctricas debe realizarlas un técnico cualificado, utilizando solo piezas de recambio idénticas.** De este modo, podrá garantizarse la seguridad de uso de la herramienta eléctrica.
- **No repare nunca baterías que estén dañadas.** Las baterías solo debe repararlas el fabricante o un centro de servicio técnico autorizado.

¡LEA TODAS LAS INSTRUCCIONES ANTES DE UTILIZAR ESTE PRODUCTO!

FORMACIÓN

- **No permita nunca que utilicen la máquina niños o personas con discapacidades físicas, sensoriales o mentales, o que no cuenten con la experiencia o los conocimientos necesarios, ni quienes no estén familiarizados con estas instrucciones.**
- **El operario o usuario es responsable de cualquier accidente o peligro que se produzca para otras personas o bienes materiales.**

PREPARACIÓN

- **La herramienta eléctrica puede usarse cuando llueve o en condiciones de humedad. Seque la herramienta eléctrica cuando termine el trabajo.**
- **Antes de usar la herramienta, compruebe que las baterías o acumuladores no estén dañados.** No utilice la herramienta si la batería está dañada.

FUNCIONAMIENTO

- **La herramienta eléctrica puede usarse cuando llueve o en condiciones de humedad. Seque la herramienta eléctrica cuando termine el trabajo.**
- **Desconecte las baterías o acumuladores:**
 1. siempre que vaya a dejar la herramienta;
 2. antes de eliminar obstrucciones;
 3. antes de comprobar, limpiar o realizar trabajos en la herramienta;
 4. en caso de que se produzcan vibraciones anormales en la herramienta.

- Asegúrese siempre de tener los pies firmemente apoyados sobre el suelo cuando utilice la herramienta en pendientes.
- Desplácese caminando, sin correr nunca.
- Mantenga todas las entradas de ventilación de la herramienta libres de obstrucciones.
- Se recomienda utilizar la herramienta solo a unas horas razonables para no molestar a otras personas. No la utilice por la mañana muy temprano ni por la noche muy tarde.
- En entornos polvorientos, recomendamos humedecer ligeramente las superficies o utilizar un accesorio rociador.

⚠ ADVERTENCIA: ¡Existe peligro debido a la presencia de elementos rotativos!

- Utilice el prolongador del tubo de soplado de manera que el flujo de aire esté lo más cerca del suelo.
- No utilice la herramienta cerca de ventanas abiertas, etc.

MANTENIMIENTO Y ALMACENAMIENTO

- Mantenga todas las tuercas, pernos y tornillos bien apretados para garantizar que la herramienta funcione de manera segura.
- Sustituya las piezas desgastadas o dañadas.
- Utilice únicamente accesorios y recambios originales.
- Guarde la herramienta solo en un lugar seco.

⚠ ADVERTENCIA: Para reducir el riesgo de incendio, descarga eléctrica o lesiones:

IMPORTANTE

LEA ATENTAMENTE LAS INSTRUCCIONES ANTES DE UTILIZAR LA HERRAMIENTA.

GUÁRDENLAS PARA CONSULTARLAS EN EL FUTURO.

- No permita que el soplador se utilice a modo de juguete. Extreme las precauciones cuando los niños usen la herramienta o si se utiliza cerca de ellos.
- Si el soplador no funciona correctamente, si se ha caído, se ha dañado, o ha caído al agua, llévelo a un centro de servicio técnico.

- No introduzca objetos a través de los orificios de la herramienta. No utilice la herramienta si sus orificios están obstruidos. Manténgalos libres de polvo, pelusas, cabellos o de cualquier otro material que pudiera limitar el flujo de aire.
- Extreme las precauciones cuando utilice la herramienta en escaleras.
- No deje el soplador sin vigilancia con el enchufe de la batería conectado. Saque la batería del soplador cuando no lo utilice y antes de hacer cualquier reparación.
- No manipule el cargador, incluido el enchufe y los terminales eléctricos, con las manos mojadas.
- No cargue la batería al aire libre.

⚠ ADVERTENCIA:

- Quite la batería de la herramienta antes de eliminarla.
- La batería debe eliminarse de manera segura.

- **NO** intente eliminar obstrucciones de la herramienta sin haber quitado antes la batería.
- **Mantenga el soplador y el asa secos, limpios y libres de aceite y grasa.** Utilice siempre un paño limpio para limpiar la herramienta. No utilice nunca disolventes, líquido de frenos, gasolina ni ningún otro producto derivado del petróleo para limpiar el soplador. El cumplimiento de estas pautas reducirá el riesgo de perder el control de la herramienta y deteriorar su carcasa plástica.
- **Las baterías pueden explotar en presencia de una fuente de ignición, como una llama piloto.** Para reducir el riesgo de lesiones, no use nunca una herramienta inalámbrica en presencia de llamas abiertas. Si una batería explota, podrían salir despedidos violentamente fragmentos y productos químicos. En caso de exposición a los mismos, enjuague inmediatamente con agua.
- **No utilice nunca la herramienta sin los accesorios adecuados correctamente instalados.** Asegúrese siempre de que el tubo de soplado esté instalado.
- **Nunca utilice el soplador cerca de llamas o cenizas calientes.** El uso de la herramienta cerca de llamas o cenizas podría propagar el fuego y provocar lesiones graves y/o daños materiales.
- **Nunca use el soplador para dispersar productos químicos, fertilizantes o cualquier otra sustancia tóxica.** La dispersión de dichas sustancias podría provocar lesiones graves al usuario o a otras personas.

- **Conserve estas instrucciones.** Consúltelas con frecuencia y utilícelas para instruir a otras personas que vayan a usar esta herramienta. En caso de prestar esta herramienta a terceros, proporciónelas también estas instrucciones para evitar el uso incorrecto y posibles riesgos de lesiones.

¡CONSERVE ESTAS INSTRUCCIONES!

ESPECIFICACIONES

Tensión	56V
Volume máximo de ar no bocal	986 m ³ /h
Temperatura de funcionamiento recomendada	-15°C-40°C
Temperatura de almacenamiento recomendada	-20°C-70°C
Máxima velocidad de soplado de aire	65m/s (sin boquilla redonda)
	75m/s (Con boquilla redonda)
Tiempo de marcha aprox. (con acumulador EGO de 5,0 Ah)	18 minutos (Mode Turbo)
	30 minutos (Vitesse haute)
	200 minutos (Vitesse basse)
Fuerza máxima del soplador	18N
Peso del soplador (sin acumulador)	2,18 kg
Nivel de potencia acústica ponderado L _{WA}	94,73 dB(A) K=2,83 dB(A)
Nivel de presión acústica medido a la altura del oído del usuario L _{PA}	78,4 dB(A) K=2,5 dB(A)
Nivel de potencia acústica garantizado L _{WA} (medido según 2000/14/CE)	98 dB(A)
Nivel de vibraciones a _h	0,505 m/s ² K=1,5 m/s ²

- El nivel total de vibraciones especificado ha sido medido conforme al método de prueba estándar empleado en la industria y puede utilizarse para efectuar comparaciones entre herramientas.

- Asimismo, el nivel total de vibraciones declarado podrá utilizarse para efectuar una evaluación preliminar de la exposición del usuario a los niveles de vibración generados por la herramienta.

AVISO: Las vibraciones generadas durante el uso real de la herramienta eléctrica podrán diferir del valor declarado en función de la manera en que se utilice. A modo de protección, el usuario deberá utilizar guantes y protectores auditivos en condiciones reales de uso.

ES

LISTA DE EMBALAJE

DENOMINACIÓN DE PIEZA	CANTIDAD
Soplador	1
Tubo de soplado	1
Accesorio de boquilla	2
Manual del usuario	1

DESCRIPCIÓN

FAMILIARÍCESE CON SU SOPLADOR (Fig. A)

1. Boquilla plana
2. Boquilla redonda
3. Tubo de soplado
4. Botón de liberación del tubo
5. Base
6. Entrada de aire
7. Extracción de la batería
8. Contactos eléctricos
9. Seguro
10. Botón de liberación de la batería
11. Gatillo de velocidad del aire
12. Botón de turbo
13. Selector de velocidad/bloqueo

⚠ ADVERTENCIA: Para una utilización segura de este producto, se requiere entender perfectamente la información proporcionada en la propia herramienta, así como en este manual de instrucciones, además de poseer buenos conocimientos acerca de la tarea a realizar. Antes de utilizar este producto, familiarícese con todas sus características de funcionamiento y pautas de seguridad a observar.

MONTAJE

ES

⚠ ADVERTENCIA: Si alguna pieza falta o está rota, no utilice el producto hasta haber sustituido las piezas rotas o instalado las que faltan. Podrían producirse lesiones físicas graves en caso de utilizar el producto si alguna de sus piezas falta o está dañada

⚠ ADVERTENCIA: No intente modificar esta herramienta en modo alguno ni fabricar accesorios no recomendados para su uso en este soplador. Cualquier alteración o modificación se considerará uso indebido y podría provocar una situación peligrosa con riesgo de sufrir lesiones graves.

⚠ ADVERTENCIA: Para evitar una puesta en marcha accidental que podría causar lesiones graves, quite siempre la batería de la herramienta antes de montar piezas.

UTILIZACIÓN PREVISTA DE LA HERRAMIENTA

Este producto podrá utilizarse para los propósitos indicados a continuación:

- Despejar superficies duras, como entradas para vehículos y caminos peatonales.
- Mantener despejadas de hojarasca y agujas de pino las cubiertas y las entradas para vehículos.

AVISO: La herramienta debe utilizarse únicamente para el fin previsto. Cualquier otro uso se considerará uso indebido.

MONTAJE/RETIRADA DEL TUBO DE SOPLADO

- **Montaje (Fig. B&C)**
Alinee el carril y empuje el tubo sobre la carcasa del soplador, hasta oír un “clic”.
- **Extracción (Fig. D)**
Pulse el botón de liberación del tubo y tire del tubo para sacarlo.

INSTALAR/QUITAR LA BOQUILLA REDONDA/PLANA DEL SOPLADOR

- **Montaje (Fig. E&F)**
Alinee la ranura de la boquilla dispersora con el botón del tubo y empuje la boquilla sobre el tubo hasta que encaje en su lugar.
- **Desmontaje (Fig. G)**
Mantenga pulsado el botón de liberación de la boquilla para desenganchar el cierre y, a continuación, tire recto de la boquilla para sacarla del soplador.

NOTA: siga el mismo orden para instalar o quitar la boquilla plana.

36

INSTALAR/QUITAR EL ACUMULADOR

Recargar antes del primer uso.

Utilizar solo con los acumuladores y cargadores enumerados en la fig. A.

■ Instalación (Fig. H)

Alinee las nervaduras del acumulador con las ranuras de montaje, e introduzca el acumulador presionándolo hacia abajo hasta oír un “clic”.

■ Extracción (Fig. I)

Pulse el botón de liberación del acumulador y saque el acumulador.

⚠ ADVERTENCIA: Preste atención siempre a la posición de sus pies, así como a la presencia de niños o mascotas cuando pulse el botón de liberación del acumulador. Podrían producirse lesiones graves si el acumulador se cayese. NUNCA retire el acumulador con la herramienta situada en altura.

Fig. H, ver abajo la descripción de las piezas:

H-1	Botón de liberación de la batería	H-3	Ranura de montaje
H-2	Nervadura de la batería		

PUESTA EN MARCHA/PARADA DEL SOPLADOR (Fig. J)

■ Solo gatillo de velocidad del aire

1. Presione el gatillo de velocidad del aire para encender el soplador.
2. La velocidad del aire del soplador se controla con el gatillo de velocidad variable. Una mayor presión en el gatillo produce velocidades de soplado más altas; una presión menor en el gatillo produce velocidades de soplado más bajas. Ajuste la velocidad adecuada para la tarea que esté realizando.
3. Suelte el gatillo de velocidad del aire para apagar el soplador.

■ Solo selector de velocidad/bloqueo

El soplador se puede encender y bloquear a cualquier velocidad con el selector de velocidad/bloqueo.

1. Gire en sentido horario el selector de velocidad/bloqueo para arrancar el soplador. La velocidad del aire aumentará a medida que se gire el selector en sentido horario.
2. Para reducir la velocidad del aire, gire en sentido antihorario el selector de velocidad/bloqueo.
3. Siga girando el selector de velocidad/bloqueo en sentido antihorario hasta la posición de apagado para parar el soplador.

NOTA: si el selector de velocidad/bloqueo no se pone de nuevo en la posición de apagado antes de encender el soplador, este no arrancará a través del selector de velocidad/bloqueo cuando se instale una batería cargada. Se trata de una función de protección para ayudar a evitar un arranque accidental. Presionando el gatillo de velocidad del aire se puede desactivar la protección.

Pulse el botón de turbo mientras trabaja, para aumentar temporalmente la velocidad del aire hasta el nivel máximo. Al soltar el botón de turbo, el soplador reanudará la velocidad anterior.

Fig. J, ver abajo la descripción de las piezas:

J-1	Selector de velocidad/bloqueo	J-3	Gatillo de velocidad del aire
J-2	Botón de turbo		

Consejos para usar el soplador

- Para evitar dispersar descontroladamente el material soplado, dirija siempre el chorro de aire en torno al perímetro de los residuos apilados. Nunca sopla directamente hacia el centro de la pila.
- Para reducir en lo posible los niveles de ruido emitidos, limite en lo posible el número de herramientas en uso de forma simultánea.
- Utilice rastrillos y escobas para soltar los materiales antes de despejarlos con el soplador. En entornos polvorientos, si hay agua disponible, humedadca ligeramente la superficie a despejar.
- Esté siempre alerta a la posible presencia de niños, mascotas, ventanas abiertas, automóviles recién lavados, etc. y utilice el soplador para despejar los materiales de manera segura.
- Tras utilizar el soplador o cualquier otro equipo, ¡asegúrese de limpiarlos! Elimine los residuos de la manera adecuada.
- No se recomienda usar el soplador a velocidad alta durante mucho tiempo, ya que el elevado nivel de vibraciones y ruido puede ser perjudicial para la salud.

MANTENIMIENTO

⚠ ADVERTENCIA: Cuando efectúe reparaciones en la herramienta, utilice únicamente piezas idénticas a las originales. La utilización de piezas diferentes o no homologadas podría suponer un peligro o causar daños en el producto. Para garantizar la seguridad y fiabilidad del producto, confíe cualquier reparación que sea necesaria a personal técnico cualificado.

⚠ ADVERTENCIA: Para evitar posibles riesgos de lesiones físicas graves, asegúrese siempre de retirar el acumulador de la herramienta antes de proceder a su limpieza o llevar a cabo cualquier tarea de mantenimiento.

MANTENIMIENTO GENERAL

Evite utilizar disolventes para limpiar los elementos plásticos del producto. La mayoría de las piezas de plástico utilizadas son susceptibles de sufrir daños si se limpian con algunos de los tipos de disolventes de uso industrial disponibles en el mercado. Utilice paños limpios para eliminar la suciedad y los residuos de polvo, aceite, grasa, etc.

⚠ ADVERTENCIA: No permita en ningún momento que líquido de frenos, gasolina, productos derivados del petróleo, aceites penetrantes, etc., entren en contacto con las piezas de plástico de la herramienta. Los productos químicos podrían dañar, debilitar o destruir el plástico, con el consiguiente riesgo de provocar lesiones físicas graves.

ALMACENAMIENTO

- Quite la batería del soplador.
- Elimine cualquier acumulación de suciedad y materias extrañas de las entradas de aire del soplador.
- Guarde el soplador en interiores, en un lugar inaccesible para los niños. Manténgalo apartado de agentes corrosivos tales como productos químicos de jardinería y sal para deshielo.

Protección del medio ambiente



¡No elimine aparatos eléctricos, cargadores de baterías, acumuladores recargables o baterías junto con los desperdicios domésticos!

Tanto la Directiva europea 2012/19/UE sobre la eliminación de aparatos eléctricos y electrónicos inservibles como la Directiva europea 2006/66/CE sobre la eliminación de baterías o acumuladores defectuosos o agotados estipulan que dichos elementos deben ser objeto de una recogida selectiva y reciclarse o eliminarse de manera que no perjudique el medio ambiente.

Si los aparatos eléctricos acabaran tirándose a vertederos o basureros, podrían desprender sustancias perjudiciales que llegarían a contaminar las capas freáticas y entrar en la cadena alimenticia, con el consecuente peligro para la salud y calidad de vida humana.

SOLUCIÓN DE PROBLEMAS

ES

ANOMALÍA	CAUSA	SOLUCIÓN
El soplador no funciona.	<ul style="list-style-type: none"> ■ El acumulador no está correctamente insertado en el soplador. ■ No hay contacto eléctrico entre el acumulador y el soplador. ■ El acumulador está agotado. ■ El acumulador o el circuito del soplador se han sobrecalentado. ■ El selector de velocidad/bloqueo no se había vuelto a girar a la posición de apagado antes de encender el soplador. 	<ul style="list-style-type: none"> ■ Inserte correctamente el acumulador en el soplador. ■ Retire el acumulador, compruebe los contactos eléctricos y vuelva a instalar el acumulador en su sitio. ■ Recargue el acumulador. ■ Espere a que el acumulador o el soplador se hayan enfriado lo suficiente hasta que su temperatura sea inferior a 67°C. ■ Presione el gatillo de velocidad del aire para desactivar la protección y arrancar el soplador o gire el selector de velocidad/bloqueo a la posición de apagado en primer lugar.
La velocidad del aire soplado disminuye considerablemente.	<ul style="list-style-type: none"> ■ Desgaste excesivo del ventilador del motor. ■ La entrada de aire está obstruida por acumulaciones de residuos o suciedad. 	<ul style="list-style-type: none"> ■ Póngase en contacto con el servicio de asistencia técnica de EGO para solicitar la reparación de la herramienta. ■ Retire el acumulador del soplador y elimine cualquier obstrucción.

GARANTÍA

POLITICA DE GARANTÍA EGO

Por favor visite nuestra página web egopowerplus.com para los terminos y las condiciones completas de la política de garantía EGO.

LEIA TODAS AS INSTRUÇÕES!



LEIA O MANUAL DO UTILIZADOR

AVISO: Estas instruções também estão disponíveis num formato alternativo, p. ex. num website.

⚠ Risco residual! As pessoas com dispositivos eletrónicos, como pacemakers, deverão consultar o seu médico antes de utilizarem este produto. A utilização de equipamento elétrico perto de um pacemaker pode causar interferências ou falhas no pacemaker.

⚠ AVISO: Para assegurar a segurança e bom funcionamento, todas as reparações e substituições deverão ser efetuadas por um técnico de reparação qualificado.

SÍMBOLOS DE SEGURANÇA

O intuito destes símbolos de segurança é chamar a sua atenção para possíveis perigos. Os símbolos de segurança e as explicações apresentadas com eles requerem a sua atenção e compreensão. Os avisos de segurança, só por eles, não eliminam o perigo. As instruções e avisos dados não são substitutos para medidas de prevenção adequadas a acidentes.

⚠ AVISO: Certifique-se de que lê e compreende todas as instruções de segurança neste manual do utilizador, incluindo todos os símbolos de alerta de segurança, como **“PERIGO”, “AVISO”, e “CUIDADO”** antes de utilizar esta ferramenta. Não seguir todas as instruções apresentadas abaixo pode resultar em choque elétrico, incêndio e/ou lesões graves.

PREVENÇÃO DE DANOS E INFORMAÇÕES

Estas informam o utilizador de que existe informação importante e/ou instruções que podem dar origem a danos no equipamento ou propriedade, caso não sejam seguidas. Cada mensagem é antecedida da palavra **“AVISO”**, conforme apresentado em baixo:

AVISO: Se estas instruções não forem seguidas, podem dar origem a danos no equipamento e/ou propriedade.



⚠ AVISO: O funcionamento de qualquer ferramenta elétrica pode dar origem ao ressalto de quaisquer objetos estranhos que podem atingir os olhos, podendo dar origem a sérias lesões oculares. Antes de começar a utilizar a ferramenta elétrica, utilize sempre óculos de segurança com proteções laterais e uma proteção completa para o rosto, quando necessário. Recomendamos a utilização de máscaras de segurança com visão panorâmica por cima dos óculos ou óculos de segurança padrão com proteção lateral.

PT

INSTRUÇÕES DE SEGURANÇA

Esta página retrata e descreve os símbolos de segurança que podem aparecer neste produto. Leia, compreenda e siga todas as instruções na máquina antes de a tentar montar e utilizar.

	Alerta de segurança	Precauções que envolvam a sua segurança.
	Utilize proteção ocular	Utilize sempre óculos de segurança com proteção lateral e, se necessário, uma proteção completa do rosto, quando utilizar este produto.
	Utilize proteção auditiva	Utilize sempre proteção auditiva ao utilizar este produto.
	Leia o manual do utilizador	Para reduzir o risco de lesões, o utilizador tem de ler o manual de instruções antes de utilizar este produto.
	Mantenha terceiros afastados	Mantenha terceiros a, pelo menos, 15 metros de distância.
V	Volts	Tensão
A	Amperes	Corrente
Hz	Hertz	Frequência (ciclos por segundo)
W	Watt	Potência
min	Minutos	Tempo

m ³ /h	Metro cúbico por hora	Volume do ar
km/h	Quilómetros por hora	Velocidade do ar
	Corrente alternada	Tipo de corrente
	Corrente direta	Tipo ou característica da corrente
n ₀	Velocidade sem carga	Velocidade de rotação, sem carga
... /min	Por minuto	Rotações por minuto

Durante a utilização de eletrodomésticos, devem ser sempre tomadas precauções básicas, como as que se seguem:

AVISOS DE SEGURANÇA GERAIS PARA FERRAMENTAS ELÉTRICAS

⚠ AVISO: LEIA TODOS OS AVISOS DE SEGURANÇA, INSTRUÇÕES, ILUSTRAÇÕES E ESPECIFICAÇÕES FORNECIDAS COM ESTA FERRAMENTA ELÉTRICA.

Não seguir todas as instruções apresentadas abaixo pode resultar em choque elétrico, incêndio e/ou lesões graves.

GUARDE TODOS OS AVISOS E INSTRUÇÕES PARA FUTURA REFERÊNCIA.

O termo “ferramenta elétrica” nos avisos refere-se às suas ferramentas elétricas ligadas à corrente elétrica (com fios) ou ferramentas elétricas que funcionam com bateria (sem fios).

SEGURANÇA NA ÁREA DE TRABALHO

- **Mantenha a área de trabalho limpa e bem iluminada.** As áreas desarrumadas ou escuras convidam a acidentes.
- **Não ligue ferramentas elétricas em atmosferas explosivas, tal como na presença de líquidos inflamáveis, gases ou pó.** As ferramentas elétricas produzem faíscas que podem inflamar o pó ou fumos.
- **Mantenha as crianças e pessoas que passem afastadas enquanto trabalhar com uma ferramenta elétrica.** As distrações podem fazer com que perca o controlo.

SEGURANÇA ELÉTRICA

- **As fichas da ferramenta elétrica têm de corresponder à tomada. Nunca modifique a ficha de algum modo. Não utilize qualquer adaptador**

com ferramentas elétricas com ligação à terra. Fichas não modificadas e tomadas correspondentes reduzirão o risco de choque elétrico.

- **Evite o contacto do corpo com superfícies ligadas à terra, tais como tubos, radiadores, bases e frigoríficos.** Existe um risco acrescido de choque elétrico se o seu corpo estiver ligado à terra.
- **Não exponha as ferramentas elétricas à chuva ou a condições húmidas.** A entrada da água na ferramenta elétrica aumentará o risco de choque elétrico
- **Não force o fio. Nunca utilize o fio para transportar, puxar ou desligar a ferramenta elétrica. Mantenha o fio afastado do calor, óleo, arestas afiadas ou peças móveis.** Fios danificados ou emaranhados aumentam o risco de choque elétrico.
- **Quando estiver a trabalhar com uma ferramenta elétrica ao ar livre, utilize uma extensão adequada para a utilização no exterior.** A utilização de um fio adequado ao exterior reduz o risco de choque elétrico.
- **Se for inevitável trabalhar com uma ferramenta elétrica num local húmido, use um dispositivo de corrente residual.** A utilização de um DCR reduz o risco de choque elétrico.

SEGURANÇA PESSOAL

- **Mantenha-se alerta, observe o que está a fazer e utilize o senso comum quando estiver a trabalhar com uma ferramenta elétrica. Não utilize uma ferramenta elétrica quando estiver cansado ou sob o efeito de drogas, álcool ou medicação.** Um momento de falta de atenção enquanto trabalha com ferramentas elétricas pode resultar em lesões pessoais graves.
- **Use equipamento pessoal de protecção.** Utilize sempre protecção ocular. O equipamento de segurança, tal como máscara de pó, calçado de segurança antiderrapante, capacete de segurança, ou protecção para os ouvidos, utilizado nas condições adequadas reduzirá a hipótese de lesões.
- **Evite os arranques sem intenção. Certifique-se de que o interruptor se encontra na posição desligada antes de ligar à alimentação e/ou bateria e antes de pegar ou transportar a ferramenta.** Transportar ferramentas elétricas com o dedo no interruptor ou alimentar ferramentas elétricas com o interruptor na posição de ligado convida a acidentes.
- **Retire qualquer chave de ajuste ou chave de fendas antes de ligar a energia.** Uma chave de fendas ou uma chave deixada ligada a uma peça rotativa da ferramenta elétrica pode resultar em lesão.

- **Não se estique. Mantenha sempre o apoio para os pés e o equilíbrio.** Isto permite um melhor controlo da ferramenta eléctrica em situações inesperadas.
- **Vista-se adequadamente. Não utilize roupa larga ou jóias. Mantenha o cabelo, roupa e luvas afastados das partes móveis.** Roupas largas, jóias ou cabelo comprido podem ser apanhados pelas peças em movimento.
- **Se forem fornecidos dispositivos para ligação da extração de pó e das instalações de recolha, certifique-se de que estes estão ligados e são adequadamente utilizados.** A utilização de dispositivos de recolha de pó pode reduzir os perigos relacionados com o pó.
- **Não permita que a familiaridade ganha com a utilização de ferramentas o torne mais complacente e ignore os princípios de segurança da ferramenta.** Uma ação descuidada pode causar lesões severas numa fração de segundo.
- **Mantenha as ferramentas de corte afiadas e limpas.** Ferramentas de corte devidamente mantidas e com arestas cortantes afiadas têm uma menor probabilidade de prender e são mais fáceis de controlar.
- **Use a ferramenta eléctrica, acessórios e brocas, etc., de acordo com estas instruções, tendo em conta as condições de trabalho e o trabalho a ser efectuado.** A utilização da ferramenta eléctrica para operações diferentes daquelas para que foi criada pode dar origem a uma situação perigosa.
- **Mantenha as pegas e superfícies de segurar secas, limpas e sem óleo ou gordura.** Pegas e superfícies de segurar escorregadias não permitem o manuseamento seguro nem o controlo da ferramenta em situações inesperadas.

UTILIZAÇÃO E CUIDADOS DA FERRAMENTA ELÉCTRICA

- **Não force a ferramenta eléctrica. Utilize a ferramenta eléctrica correta para a utilização pretendida.** A ferramenta eléctrica correta fará o trabalho melhor e de forma mais segura ao ritmo para o qual foi concebida.
- **Não utilize a ferramenta eléctrica se o interruptor não a ligar e desligar.** Qualquer ferramenta eléctrica que não possa ser controlada com o interruptor é perigosa e deve ser reparada.
- **Desligue a ficha da alimentação e/ou da bateria da ferramenta eléctrica antes de fazer quaisquer ajustes, mudar de acessórios ou armazenar a ferramenta eléctrica.** Tais medidas preventivas de segurança reduzem o risco de ligar a ferramenta eléctrica acidentalmente.
- **Guarde as ferramentas eléctricas não utilizadas fora do alcance das crianças e não permita que pessoas não familiarizadas com a ferramenta eléctrica ou com estas instruções utilizem a ferramenta eléctrica.** As ferramentas eléctricas são perigosas nas mãos de utilizadores sem formação.
- **Proceda à manutenção das ferramentas eléctricas. Verifique desalinhamentos ou bloqueios das peças móveis, peças partidas e quaisquer outras condições que possam afectar o funcionamento da ferramenta eléctrica. Se estiver danificada, leve a ferramenta eléctrica para ser reparada antes da utilização.** Muitos acidentes são provocados pela fraca manutenção das ferramentas eléctricas.
- **Recarregue apenas com o carregador especificado pelo fabricante.** Um carregador que seja adequado para um tipo de bateria pode criar um risco de incêndio quando usado com outra bateria.
- **Use ferramentas eléctricas apenas com as baterias especificamente designadas.** A utilização de outras baterias pode criar um risco de lesão e incêndio.
- **Quando não usar a bateria, mantenha-a afastada de outros objectos de metais, como cliques de papel, moedas, chaves, pregos, parafusos ou outros pequenos objectos de metal que possam fazer a ligação entre os dois terminais.** Colocar os terminais da bateria em curto-circuito pode dar origem a queimaduras ou fogo.
- **Sob condições abusivas, pode ser ejetado líquido da bateria. Evite o contacto. Se ocorrer contacto accidental, lave com água. Se o líquido entrar em contacto com os olhos, procure ajuda médica.** O líquido ejetado da bateria pode provocar irritação ou queimaduras.
- **Não use a bateria nem a ferramenta se estiverem danificadas ou modificadas.** Baterias danificadas ou modificadas podem apresentar comportamentos imprevisíveis, dando origem a fogo, explosão ou risco de lesões.
- **Não exponha a bateria ou a ferramenta ao fogo ou temperatura excessiva.** A exposição ao fogo ou a temperaturas acima dos 130 °C pode causar uma explosão.
- **Siga todas as instruções de carregamento e não carregue a bateria nem a ferramenta a uma temperatura fora dos parâmetros especificados nas instruções.** Carregar incorretamente ou a

temperaturas fora dos parâmetros especificados pode danificar a bateria e aumentar o risco de fogo.

REPARAÇÃO

- **A manutenção da sua ferramenta elétrica deverá ser sempre efetuada por pessoas qualificadas, utilizando apenas peças sobresselentes idênticas. Tal irá assegurar que a segurança da ferramenta elétrica é mantida.**
- **Nunca tente reparar uma bateria danificada.** A reparação das baterias só deverá ser efetuada pelo fabricante ou por um reparador autorizado.

PT

LEIA TODAS AS INSTRUÇÕES ANTES DE UTILIZAR ESTE PRODUTO.

TREINO

- **Nunca permita que crianças ou pessoas com capacidades físicas, sensoriais ou mentais reduzidas ou com falta de experiência e conhecimento ou pessoas que não estejam familiarizadas com estas instruções usem o aparelho.**
- **O operador ou utilizador é o responsável por acidentes ou riscos provocados a outras pessoas ou à sua propriedade.**

PREPARAÇÃO

- **A ferramenta elétrica pode ser usada à chuva ou em condições de humidade. Seque a ferramenta elétrica após terminar o trabalho.**
- **Antes da utilização, verifique as baterias quanto a danos.** Não utilize o aparelho se a(s) bateria(s) estiver(em) danificada(s).

FUNCIONAMENTO

- **A ferramenta elétrica pode ser usada à chuva ou em condições de humidade. Seque a ferramenta elétrica após terminar o trabalho.**
- **Desligue a(s) bateria(s):**
 1. Sempre que abandonar a máquina;
 2. Antes de limpar uma peça bloqueada;
 3. Antes de verificar, limpar ou trabalhar no equipamento;
 4. Se o aparelho começar a vibrar anormalmente.
- **Garanta que possui sempre uma base para os pés equilibrada em locais inclinados.**

- **Caminhe, nunca corra.**
- **Mantenha todas as entradas de ar desobstruídas de resíduos.**
- **Utilize a máquina apenas a horas razoáveis: nunca de manhã muito cedo ou à noite, quando possa perturbar as outras pessoas.**
- **Recomendamos que humedezca ligeiramente as superfícies quando houver muito pó ou utilize o acessório de humedecimento.**

⚠ AVISO: Perigo de peças rotativos!

- **Utilize a extensão de bocal completa do soprador, de forma a que o fluxo de ar possa funcionar próximo do solo.**
- **Não coloque a máquina em funcionamento junto a janelas, etc.**

MANUTENÇÃO E ARMAZENAMENTO

- **Mantenha todas as porcas e parafusos bem apertados, para se certificar de que o aparelho está em boas condições de funcionamento.**
- **Substitua as peças gastas ou danificadas.**
- **Utilize apenas peças sobresselentes e acessórios genuínos.**
- **Armazene o equipamento apenas num local seco.**

⚠ AVISO: Para reduzir o perigo de incêndio, choque elétrico ou lesões:

IMPORTANTE

LEIA ATENTAMENTE ANTES DE UTILIZAR.

GUARDE PARA FUTURAS REFERÊNCIAS.

- **Não permita que o soprador seja utilizado como um brinquedo. É necessária uma atenção reforçada, ao utilizar este equipamento com ou junto de crianças.**
- **Se o soprador não estiver a funcionar como deveria, tiver caído, estiver danificado ou deixado cair na água, devolva-o a um centro de reparação.**
- **Não introduza objetos nas aberturas. Não utilize com qualquer abertura bloqueada. Mantenha-as sem pó, fiapos, cabelos ou algo que possa reduzir o fluxo do ar.**
- **Utilize cuidado extra ao efetuar limpeza sobre escadas.**

- Não deixe o soprador sem supervisão quando inserir a bateria. Retire a bateria quando o soprador não for usado e antes da reparação.
- Não manuseie o carregador, incluindo a ficha do carregador e os terminais com as mãos molhadas.
- Não carregue a bateria no exterior.

⚠ AVISO:

- A bateria tem de ser retirada do equipamento antes de ser eliminada.

- A bateria tem de ser eliminada de modo seguro.

- **NÃO** tente eliminar obstáculos da unidade sem retirar primeiro a bateria.
- **Mantenha o soprador e a sua pega secos, limpos e sem óleo e gordura.** Utilize sempre um pano limpo ao limpar. Nunca utilize produtos à base de fluidos para travões, gasolina, produtos à base de petróleo ou quaisquer solventes fortes para limpar o soprador. Seguir esta regra reduzirá o risco de perda de controlo e deterioração do invólucro plástico.
- **As baterias podem explodir na presença de uma fonte de ignição, como uma luz piloto.** Para reduzir o risco de lesões pessoais sérias, nunca utilize um produto sem fios na presença de uma chama sem proteção. Ao explodir, uma bateria pode libertar resíduos e químicos. Se for exposto a estes produtos, lave imediatamente com água.
- **Nunca utilize a unidade sem o devido equipamento fixado.** Certifique-se sempre de que o tubo do soprador está instalado.
- **Nunca utilize o soprador perto de fogo ou cinza quente.** A utilização perto de fogo ou cinzas pode espalhar o fogo e dar origem a lesões sérias e/ou danos de propriedade.
- **Nunca utilize o soprador para espalhar químicos, fertilizantes ou quaisquer outras substâncias tóxicas.** Espalhar estas substâncias pode dar origem a lesões sérias no operador ou terceiros.
- **Guarde estas instruções. Consulte com frequência e utilize estas instruções para instruir outras pessoas sobre a forma de utilizar este equipamento.** Se emprestar este aparelho, entregue também as instruções, para evitar uma má utilização do produto e possíveis lesões.

GUARDE ESTAS INSTRUÇÕES!

ESPECIFICAÇÕES

Voltagem	56V
Volume do ar	986 m³/h
Temperatura de funcionamento recomendada	-15°C-40°C
Temperatura de armazenamento recomendada	-20°C-70°C
Velocidade máxima do ar	65m/s (sem bocal redondo)
	75m/s (Com bocal redondo)
Tempo de funcionamento aprox. (com bateria EGO 5,0 Ah)	18 min. (en modo turbo)
	30 min. (a velocidade alta)
	200 min. (a velocidade baja)
Força máxima de sopro	18N
Peso do soprador (sem a bateria)	2,18 kg
Nível de potência do som medido L _{WA}	94,73 dB(A) K=2,83 dB(A)
Nível da pressão do som no ouvido do operador L _{PA}	78,4 dB(A) K=2,5 dB(A)
Nível de potência acústica garantido L _{WA} (medido de acordo com 2000/14/CE)	98 dB(A)
Vibração a _h	0,505 m/s ² K=1,5 m/s ²

- O valor total declarado da vibração foi medido de acordo com um método de teste padrão e pode ser usado para comparar duas ferramentas;
- O valor total declarado da vibração também pode ser usado numa avaliação preliminar da exposição.

AVISO: A emissão de vibrações durante a utilização da ferramenta elétrica pode diferir do valor declarado em que a ferramenta é usada. De modo a proteger o utilizador, este deverá utilizar luvas e proteção auditiva nas condições atuais de utilização.

LISTA DE PEÇAS

NOME DA PEÇA	QUANTIDADE
Soprador	1
Tubo do soprador	1

Bocal de borrifar	2
Manual do instruções	1

DESCRIÇÃO

CONHEÇA O SEU SOPRADOR (Imagem A)

PT

1. Bocal plano
2. Bocal redondo
3. Tubo do soprador
4. Botão de libertação do tubo
5. Base
6. Entrada do ar
7. Ejeção da bateria
8. Contactos eléctricos
9. Aba
10. Botão de libertação da bateria
11. Gatilho da velocidade do ar
12. Botão de rajada
13. Disco da velocidade/bloqueio

AVISO: A utilização segura deste produto requer uma compreensão da informação na ferramenta e neste manual de instruções, bem como o conhecimento do trabalho que vai efetuar. Antes de utilizar este produto, familiarize-se com as características de funcionamento e regras de segurança.

MONTAGEM

AVISO: Se houver peças danificadas ou em falta, não utilize o produto até ter substituído essas peças. Utilizar este produto com peças danificadas ou em falta pode dar origem a lesões pessoais sérias.

AVISO: Não tente modificar este produto nem criar acessórios que não sejam recomendados para utilizar com este soprador. Qualquer alteração ou modificação é considerada uma má utilização e pode dar origem a perigos, que podem levar a possíveis lesões pessoais sérias.

AVISO: Para evitar um arranque acidental que possa causar lesões pessoais sérias, retire sempre a bateria do produto durante a montagem das peças.

APLICAÇÃO

Pode usar este produto com os intuitos listados em baixo:

- Limpar superfícies duras, como passeios e entradas.
- Mantenha as coberturas e entradas desobstruídas de folhas e caruma.

AVISO: A ferramenta só deve ser utilizada para o seu propósito destinado. Qualquer outra utilização será considerada má utilização.

MONTAR/RETIRAR O TUBO DO SOPRADOR

■ Para montar (Imagem B&C)

Alinhe a ranhura e empurre o tubo para a estrutura do soprador até ouvir um “clique”.

■ Para retirar (Imagem D)

Prima o botão de libertação do tubo e puxe o tubo para fora.

MONTAR/RETIRAR O BOCAL REDONDO/PLANO DO SOPRADOR

■ Para montar (Imagem E&F)

Alinhe a ranhura do bocal de borrifar com o manípulo do tubo e pressione o bocal para o tubo até ficar fixado no respetivo lugar.

■ Para retirar (Imagem G)

Prima e mantenha o botão de libertação de borrifar premido para libertar o trinco, depois puxe o bocal para fora do soprador.

AVISO: Siga a mesma sequência para montar ou retirar o bocal plano.

INSTALAR/RETIRAR A BATERIA

Carregue antes da primeira utilização.

Utilize apenas com as baterias e carregadores listados na imagem A.

■ Para instalar (Imagem H)

Alinhe as abas da bateria com as ranhuras de fixação e empurre a bateria para baixo até ouvir um “clique”.

■ Para retirar (Imagem I)

Prima o botão de libertação da bateria e puxe a bateria para fora.

AVISO: Tome sempre nota da localização dos seus pés, de crianças ou animais quando premir o botão de libertação da bateria. Se a bateria cair, podem ocorrer lesões sérias. NUNCA retire a bateria num local elevado.

Imagem H: Descrição das peças apresentada abaixo:

H-1	Botão de libertação da bateria	H-3	Ranhura de fixação
H-2	Aba da bateria		

LIGAÇÃO/PARAGEM DO SOPRADOR (Imagem J)

■ **Gatilho apenas da velocidade do ar**

1. Prima o gatilho da velocidade do ar para ligar o soprador.
2. A velocidade do ar do soprador é controlada com o gatilho da velocidade variável. Mais pressão no gatilho dá origem a velocidades de sopro superiores. Menos pressão no gatilho dá origem a velocidades de sopro inferiores. Ajuste a velocidade para se adequar à tarefa a ser efetuada.
3. Liberte o gatilho da velocidade do ar para desligar o soprador.

■ **Apenas disco da velocidade/bloqueio**

O soprador pode ser ligado e bloqueado a qualquer velocidade com o disco da velocidade/bloqueio.

1. Rode o disco da velocidade/bloqueio no sentido dos ponteiros do relógio para ligar o soprador. A velocidade do ar aumenta à medida que o disco é rodado no sentido dos ponteiros do relógio.
2. Para diminuir a velocidade do ar, rode o disco da velocidade/bloqueio no sentido inverso ao dos ponteiros do relógio.
3. Continue a rodar o disco da velocidade/bloqueio no sentido inverso ao dos ponteiros do relógio para a posição de desligado para desligar o soprador.

AVISO: Se o disco da velocidade/bloqueio não voltar a ser rodado para a posição de desligado antes de ligar o soprador, este não liga através do disco da velocidade/bloqueio quando for instalada uma bateria carregada. Esta é uma característica de proteção para ajudar a evitar arranques acidentais. Prima o gatilho da velocidade do ar para desativar a proteção.

Prima o botão da rajada enquanto está a trabalhar para aumentar temporariamente a velocidade do ar para o nível máximo. O soprador volta à velocidade anterior quando libertar o botão da rajada.

Imagem J: Descrição das peças apresentada abaixo:

J-1	Disco da velocidade/bloqueio	J-3	Gatilho da velocidade do ar
J-2	Botão de rajada		

OPERAR O SOPRADOR

- Para evitar dispersar o lixo, sobre em redor das extremidades de um monte de lixo. Nunca sobre directamente para o centro do monte.
- Para reduzir os níveis de ruído, limite o número de peças de equipamento usadas de uma vez.

- Use ancinhos e vassouras para libertar o lixo antes de o soprar. Em condições poeirentas, embeba ligeiramente a superfície, se tiver água disponível.
- Tenha cuidado com as crianças, animais, janelas abertas ou carros lavados recentemente e afaste os resíduos em segurança.
- Após utilizar o soprador ou outro equipamento, proceda à limpeza! Elimine os resíduos corretamente.
- Não recomendamos que use o soprador a alta velocidade durante um longo período de tempo, pois muita vibração e ruído podem ser nocivos para a sua saúde.

PT

MANUTENÇÃO

AVISO: Quando fizer reparações, utilize apenas peças sobressalentes idênticas. A utilização de outras peças pode criar um perigo ou provocar danos no produto. Para assegurar a segurança e bom funcionamento, todas as reparações deverão ser efetuadas por um técnico de reparação qualificado.

AVISO: Para evitar lesões pessoais sérias, retire sempre a bateria do produto quando limpar ou efetuar qualquer manutenção.

MANUTENÇÃO GERAL

Evite utilizar solventes quando limpa peças plásticas. Grande parte dos plásticos pode ficar danificada devido a vários tipos de solventes comerciais e pode danificar-se com o uso. Utilize panos de limpeza para retirar sujidades, pó, óleo, gordura, etc.

AVISO: Nunca permita que o líquido dos travões, petróleo, produtos à base de petróleo, óleos penetrantes, etc., entrem em contacto com as peças de plástico. Os químicos podem danificar, enfraquecer ou destruir o plástico, o que pode dar origem a lesões pessoais sérias.

ARMAZENAMENTO

- Retire a bateria do soprador.
- Limpe todo o material estranho das entradas de ar do soprador.
- Guarde-o no interior, num local inacessível a crianças. Mantenha afastado de agentes corrosivos, como químicos de jardinagem e sais de degelo.

Proteção do ambiente



Não elimine o equipamento elétrico, o carregador da bateria e as baterias/ baterias recarregáveis juntamente com o lixo doméstico comum!

PT

De acordo com a norma europeia 2012/19/UE, o equipamento elétrico e eletrônico que deixe de ser usado, e de acordo com a norma europeia 2006/66/CE, as baterias gastas ou defeituosas têm de ser recolhidas em separado e eliminadas de um modo amigo do ambiente.

Se os equipamentos elétricos forem eliminados em aterros ou lixeiras, substâncias perigosas podem vazarem para os lençóis freáticos e entrar na cadeia de alimentação, danificando a sua saúde e bem-estar.

RESOLUÇÃO DE PROBLEMAS

PROBLEMA	CAUSA	SOLUÇÃO
O soprador não funciona.	<ul style="list-style-type: none">■ A bateria não foi colocada no soprador.■ Não existe contacto elétrico entre o soprador e a bateria.■ A bateria está gasta.■ A bateria ou o soprador está demasiado quente.■ O disco da velocidade/bloqueio não voltou a ser rodado para a posição de desligado antes de ligar o soprador.	<ul style="list-style-type: none">■ Fixe a bateria no soprador.■ Retire a bateria, verifique os contactos e volte a instalar a bateria.■ Carregue a bateria.■ Deixe a bateria e o soprador arrefecerem até que a temperatura atinja menos de 67 °C.■ Prima o gatilho da velocidade do ar para desativar a proteção e ligar o soprador, ou rode primeiro o disco da velocidade/bloqueio para a posição de desligado.
A velocidade do ar diminui significativamente.	<ul style="list-style-type: none">■ Desgaste excessivo da ventoinha do motor.■ A entrada do ar está obstruída por resíduos.	<ul style="list-style-type: none">■ Contacte o centro de reparação da EGO para efetuar a reparação.■ Retire a bateria e limpe os resíduos.

PT

GARANTIA

POLÍTICA DE GARANTIA EGO

Por favor, visite o website egopowerplus.com para saber todos os termos e condições da política de garantia EGO.

LEGGERE TUTTE LE ISTRUZIONI!



LEGGERE IL MANUALE DI ISTRUZIONI

ATTENZIONE! Queste istruzioni sono disponibili anche in un formato alternativo, ad esempio su un sito web.

IT

⚠️ Rischi residui! Le persone portatrici di dispositivi elettronici, ad esempio pacemaker, devono consultare il proprio medico prima di usare questo prodotto. L'utilizzo di apparecchi elettrici in prossimità di pacemaker cardiaci comporta il rischio di interferenze o malfunzionamento del pacemaker.

⚠️ AVVERTENZA! Per garantire sicurezza e affidabilità, tutte le riparazioni e sostituzioni devono essere eseguite da un tecnico qualificato.

SIMBOLI DI SICUREZZA

Lo scopo dei simboli di sicurezza è attirare l'attenzione dell'operatore su possibili pericoli. I simboli di sicurezza e le relative spiegazioni richiedono la massima attenzione e comprensione da parte dell'operatore. Le avvertenze espresse dai simboli, da sole, non eliminano tutti i rischi. Le istruzioni e le avvertenze non sostituiscono le adeguate misure di prevenzione contro gli incidenti.

⚠️ AVVERTENZA! Accertarsi di aver letto e compreso tutte le istruzioni di sicurezza in questo manuale, inclusi tutti i simboli di avvertenza come "PERICOLO", "AVVERTENZA" e "ATTENZIONE", prima di usare questo apparecchio. Il mancato rispetto di tutte le istruzioni elencate di seguito comporta il rischio di scossa elettrica, incendio e/o lesioni gravi.

MESSAGGI INFORMATIVI E DI PREVENZIONE DEI DANNI

Questi messaggi comunicano all'utente informazioni importanti e/o istruzioni che, se non rispettate, possono danneggiare l'apparecchio o altre proprietà. Ogni messaggio è preceduto dalla parola "ATTENZIONE", come nel seguente esempio:

ATTENZIONE! Il mancato rispetto di queste istruzioni può causare danni all'apparecchio e/o altre proprietà.



⚠️ AVVERTENZA! L'uso di apparecchi elettrici può causare il lancio di oggetti estranei verso l'operatore, con il rischio di gravi lesioni agli occhi. Durante l'uso dell'apparecchio, indossare sempre occhiali protettivi o occhiali di sicurezza con protezioni laterali e, se necessario, una maschera facciale. Si consiglia di indossare una maschera di sicurezza con ampio campo visivo sopra gli occhiali o gli occhiali di sicurezza standard con protezioni laterali.

ISTRUZIONI DI SICUREZZA

Questa pagina illustra e descrive i simboli di sicurezza che possono comparire sul prodotto. Leggere, comprendere e seguire tutte le istruzioni sull'apparecchio prima di tentare di assemblarlo e ripararlo.

	Avvertenza di sicurezza	Precauzioni relative alla sicurezza dell'operatore.
	Indossare protezioni per gli occhi	Durante l'uso del prodotto, indossare sempre occhiali protettivi o occhiali di sicurezza con protezioni laterali e una maschera facciale.
	Indossare protezioni per le orecchie	Durante l'uso del prodotto, indossare sempre protezioni per le orecchie.
	Leggere il manuale di istruzioni	Per ridurre il rischio di infortunio, l'utente deve leggere e comprendere tutte le istruzioni prima di usare questo prodotto.
	Tenere lontane le altre persone	Tenere eventuali altre persone ad almeno 15m di distanza.
V	Volt	Voltaggio
A	Ampere	Corrente
Hz	Hertz	Frequenza (cicli al secondo)
W	Watt	Potenza
min	Minuti	Tempo
m ³ /h	Metri cubi all'ora	Volume dell'aria

km/h	Chilometri all'ora	Velocità dell'aria
	Corrente alternata	Tipo di corrente
	Corrente continua	Tipo o caratteristica della corrente
n_0	Velocità a vuoto	Velocità di rotazione, senza carico
.../min	Al minuto	Rotazioni al minuto

Durante l'uso di apparecchi elettrici è necessario rispettare alcune elementari norme di sicurezza, tra cui le seguenti:

AVVERTENZE DI SICUREZZA GENERALI PER TUTTI GLI UTENSILI ELETTRICI

⚠ AVVERTENZA! CONSULTARE TUTTE LE AVVERTENZE DI SICUREZZA, LE ISTRUZIONI, LE ILLUSTRAZIONI E LE SPECIFICHE FORNITE INSIEME A QUESTO UTENSILE ELETTRICO. Il mancato rispetto delle istruzioni sotto riportate comporta il rischio di scossa elettrica, incendio e/o gravi infortuni.

CONSERVARE TUTTE LE AVVERTENZE E LE ISTRUZIONI PER RIFERIMENTO FUTURO.

Il termine "utensile elettrico" nelle avvertenze si riferisce a un utensile elettrico alimentato da una rete elettrica (con cavo) o a batterie (senza cavo).

SICUREZZA DELL'AREA DI LAVORO

- **Mantenere l'area di lavoro pulita e ben illuminata.** Aree ingombre e ombreggiate favoriscono gli incidenti.
- **Non usare gli utensili elettrici in atmosfere esplosive, ad esempio in presenza di liquidi infiammabili, benzina o polvere.** Gli utensili elettrici producono scintille suscettibili di dare fuoco a polveri o vapori.
- **Tenere eventuali altre persone e bambini lontane durante l'uso di un utensile elettrico.** Le distrazioni comportano il rischio di perdita di controllo.

SICUREZZA ELETTRICA

- **La spina dell'utensile elettrico deve essere adeguata alla presa in cui verrà inserita. Non modificare la spina in alcun modo. Non usare adattatori con utensili elettrici messi a terra (o a massa).** Spine non modificate e prese adatte riducono il rischio di scossa elettrica.
- **Evitare il contatto del corpo con superfici messe a terra o a massa, ad esempio tubi, radiatori, fornelli**

e frigoriferi. Il rischio di scossa elettrica aumenta se il proprio corpo è messo a terra o a massa.

- **Non esporre gli utensili elettrici a pioggia o condizioni di umidità.** La penetrazione di acqua all'interno di un utensile elettrico aumenta il rischio di scossa elettrica.
- **Non danneggiare il cavo di alimentazione. Non usare mai il cavo per trasportare, tirare o scollegare l'utensile elettrico. Tenere il cavo al riparo da calore, olio, bordi taglienti o parti in movimento.** Cavi danneggiati o aggrovigliati aumentano il rischio di scossa elettrica.
- **Durante l'uso di un utensile elettrico all'aperto, usare una prolunga progettata appositamente per ambienti esterni.** L'uso di un cavo adatto agli ambienti esterni riduce il rischio di scossa elettrica.
- **Se è necessario usare l'utensile elettrico in un ambiente umido, usare una rete di alimentazione protetta da un interruttore differenziale.** L'uso di un interruttore differenziale (RCD) riduce il rischio di scossa elettrica.

SICUREZZA PERSONALE

- **Rimanere vigili, prestare attenzione a ciò che si sta facendo e usare il buon senso durante l'uso dell'utensile elettrico. Non usare l'utensile elettrico se si è stanchi o sotto l'effetto di droghe, alcol o medicinali.** Anche un solo momento di disattenzione durante l'uso dell'utensile elettrico comporta il rischio di lesioni gravi.
- **Indossare attrezzatura di protezione. Indossare sempre protezioni per gli occhi.** Se le condizioni lo richiedono, indossare anche maschere antipolveri, calzature antiscivolo, caschi o protezioni per le orecchie per ridurre il rischio di infortunio.
- **Prevenire l'avvio accidentale. Verificare che l'interruttore sia in posizione di spegnimento prima di raccogliere, trasportare o collegare l'utensile elettrico alla rete elettrica e/o al gruppo batteria.** Trasportare un utensile elettrico con il dito sull'interruttore o inserire il gruppo batteria quando l'interruttore è in posizione di accensione favorisce gli incidenti.
- **Rimuovere eventuali chiavi di serraggio prima di accendere l'utensile elettrico.** Una chiave di serraggio rimasta inserita in un elemento mobile dell'utensile elettrico può provocare infortuni.
- **Non allungarsi eccessivamente. Tenere i piedi a contatto con il pavimento e mantenere sempre l'equilibrio.** Ciò permette di avere un maggiore controllo dell'utensile elettrico in caso di imprevisti.

- **Vestirsi adeguatamente. Non indossare indumenti ampi o gioielli. Tenere i capelli, gli indumenti e le mani lontano dalle parti mobili.** Indumenti ampi, gioielli o capelli lunghi possono rimanere impigliati nelle parti in movimento.
- **Se sono presenti dispositivi di aspirazione e trattamento delle polveri, assicurarsi che siano collegati e usati correttamente.** Tali dispositivi possono ridurre i rischi legati alle polveri.
- **Non lasciare che la familiarità con l'apparecchio (derivata da un uso frequente) abbassi il livello di attenzione.** Anche una minima distrazione può causare gravi infortuni.

USO E MANUTENZIONE DEGLI UTENSILI ELETTRICI

- **Non forzare l'utensile elettrico. Usare l'utensile elettrico adatto al lavoro da effettuare.** L'utensile elettrico adatto sarà più efficace e sicuro se usato al regime per cui è stato progettato.
- **Non usare l'utensile elettrico se l'interruttore non funziona correttamente.** Gli utensili elettrici che non possono essere accesi e spenti correttamente sono pericolosi e devono essere riparati.
- **Scollegare la spina dalla presa di corrente e/o rimuovere il gruppo batteria prima di regolare o riporre l'utensile elettrico o di sostituire gli accessori.** Tale misura di sicurezza riduce il rischio di avvio accidentale dell'utensile elettrico.
- **Riporre gli utensili elettrici fuori dalla portata dei bambini e non consentirne l'uso a persone che non lo sanno usare o non hanno letto queste istruzioni.** Gli utensili elettrici diventano strumenti pericolosi nelle mani di persone che non sanno usarli.
- **Mantenere gli utensili elettrici in buono stato. Verificare che le parti mobili non siano disallineate o piegate e che non siano presenti danni o altre condizioni che potrebbero compromettere il funzionamento dell'utensile elettrico. Se danneggiato, fare riparare l'utensile elettrico prima di usarlo.** Molti incidenti sono dovuti a una cattiva manutenzione degli utensili elettrici.
- **Mantenere gli utensili elettrici puliti e affilati.** Gli utensili di taglio mantenuti puliti e affilati hanno meno probabilità di subire malfunzionamenti e sono più facili da controllare.
- **Usare l'utensile elettrico, gli accessori, le punte, ecc. conformemente a queste istruzioni, tenendo conto delle condizioni di lavoro e delle operazioni da eseguire.** L'uso dell'utensile elettrico per operazioni diverse da quelle per cui è progettato può comportare situazioni di pericolo.
- **Mantenere le impugnature e le superfici di presa asciutte, pulite e prive di olio o grasso.** Impugnature

e superfici di presa scivolose non garantiscono l'uso sicuro e il controllo dell'utensile in situazioni impreviste.

USO E MANUTENZIONE DELLA BATTERIA

- **Ricaricare la batteria esclusivamente con il caricabatteria specificato dal costruttore.** Un caricabatteria adatto a un tipo di gruppo batteria può comportare il rischio di incendio se usato con un altro gruppo batteria.
- **Usare esclusivamente gruppi batteria progettati specificamente per questo utensile elettrico.** L'uso di altri gruppi batteria comporta il rischio di incendio e infortunio.
- **Quando la batteria non è in uso, tenerla lontana da piccoli oggetti metallici, ad esempio graffette, monete, chiavi, chiodi, viti ecc. poiché potrebbero creare un collegamento tra i due terminali.** L'eventuale cortocircuito dei terminali della batteria comporta il rischio di incendio o di ustioni.
- **L'utilizzo improprio dell'utensile elettrico può causare fuoriuscite di liquido dalla batteria: evitare il contatto con tale liquido. In caso di contatto accidentale, lavare con acqua. Se il liquido entra in contatto con gli occhi, consultare un medico.** Il liquido fuoriuscito dalla batteria può causare irritazioni o ustioni.
- **Non usare gruppi batteria o utensili danneggiati o modificati.** Le batterie danneggiate o modificate possono manifestare comportamenti imprevisti, con il rischio di incendio, esplosione o infortunio.
- **Non esporre il gruppo batteria o l'utensile a fiamme o temperature eccessive.** L'esposizione a fiamme o temperature superiori a 130°C comporta il rischio di esplosione.
- **Rispettare tutte le istruzioni relative alla ricarica e non ricaricare il gruppo batteria o l'utensile a temperature diverse da quelle specificate nelle istruzioni.** Una ricarica eseguita in modo improprio o a temperature diverse da quelle specificate può danneggiare la batteria e aumentare il rischio di incendio.

RIPARAZIONI

- **Affidare la riparazione dell'utensile a personale qualificato e utilizzare esclusivamente parti di ricambio identiche.** Ciò garantisce la sicurezza dell'utensile elettrico.
- **Non riparare gruppi batteria danneggiati.** La riparazione dei gruppi batteria deve essere effettuata esclusivamente dal costruttore o da un centro di assistenza autorizzato.

LEGGERE TUTTE LE ISTRUZIONI PRIMA DI USARE QUESTO PRODOTTO!

FORMAZIONE ALL'USO

- Non permettere l'uso dell'apparecchio a bambini, persone con ridotte capacità fisiche, mentali o sensoriali o prive di esperienza e conoscenza o persone che non conoscono queste istruzioni.
- L'operatore o l'utente è responsabile per eventuali incidenti o rischi causati ad altre persone o proprietà.

PREPARAZIONE

- Questo utensile elettrico può essere usato sotto la pioggia o in condizioni di umidità. Asciugare l'utensile elettrico al termine del lavoro.
- Prima dell'uso, controllare che le batterie o il gruppo batteria siano privi di danni. Non usare l'apparecchio se le batterie o il gruppo batteria sono danneggiati.

UTILIZZO

- Questo utensile elettrico può essere usato sotto la pioggia o in condizioni di umidità. Asciugare l'utensile elettrico al termine del lavoro.
- Scollegare le batterie o il gruppo batteria:
 1. prima di lasciare l'apparecchio incustodito;
 2. prima di eliminare un'ostruzione;
 3. prima di controllare, pulire o eseguire lavori sull'apparecchio;
 4. se l'apparecchio inizia a vibrare in modo anomalo.
- Puntare bene i piedi sui terreni in pendenza.
- Durante l'uso dell'apparecchio, camminare e non correre.
- Tenere sempre pulite le aperture di ingresso dell'aria eliminando le eventuali ostruzioni.
- Usare l'apparecchio esclusivamente in orari ragionevoli: non la mattina presto o la sera tardi, per evitare di disturbare altre persone.
- Se l'area di lavoro è polverosa, inumidire leggermente la superficie o usare l'accessorio nebulizzatore.

⚠ AVVERTENZA! Rischio di parti rotanti!

- Usare la bocchetta del soffiatore in tutta la sua estensione affinché il flusso d'aria lavori in prossimità del suolo.

- Non usare l'apparecchio in prossimità di finestre aperte, ecc.

MANUTENZIONE E CONSERVAZIONE

- Verificare che tutti i dadi, le viti e i bulloni siano serrati e che l'apparecchio funzioni correttamente.
- Sostituire i componenti usurati o danneggiati.
- Usare esclusivamente accessori e parti di ricambio originali.
- Riporre l'apparecchio esclusivamente in luoghi asciutti.

⚠ AVVERTENZA! Per ridurre il rischio di incendio, scossa elettrica o infortunio:

IMPORTANTE

LEGGERE ATTENTAMENTE PRIMA DELL'USO.

CONSERVARE PER RIFERIMENTO FUTURO.

- Il soffiatore non deve essere usato come giocattolo. Prestare particolare attenzione quando il soffiatore viene usato da o in presenza di bambini.
- Se il soffiatore presenta malfunzionamenti, ha subito cadute, è danneggiato o è caduto in acqua, portarlo presso un centro di assistenza.
- Non inserire alcun oggetto nelle aperture di ventilazione. Non usare il soffiatore se una o più aperture di ventilazione sono ostruite; mantenere le aperture di ventilazione prive di polvere, fibre, capelli e qualsiasi altro materiale suscettibile di ridurre il flusso d'aria.
- Prestare particolare attenzione durante l'uso del soffiatore su scale.
- Non lasciare il soffiatore incustodito quando la spina della batteria è inserita. Rimuovere la batteria quando il soffiatore non è in uso e prima di effettuare qualsiasi operazione di manutenzione.
- Non maneggiare il caricabatteria, inclusa la spina del caricabatteria, o i terminali del caricabatteria con le mani bagnate.
- Non ricaricare il gruppo batteria all'aperto.

⚠ AVVERTENZA!

- Prima di smaltire l'apparecchio, rimuovere il gruppo batteria.
- La batteria deve essere smaltita in modo sicuro.


■ NON tentare di rimuovere le ostruzioni dall'apparecchio senza aver prima rimosso la batteria.

IT

- **Tenere il soffiatore e l'impugnatura puliti e privi di olio e grasso.** Usare sempre un panno pulito durante la pulizia. Non usare mai liquido per freni, benzina, prodotti a base di petrolio o solventi aggressivi per pulire il soffiatore. Il rispetto di questa istruzione evita il deterioramento delle superfici in plastica e riduce il rischio di perdita di controllo.
- **Le batterie possono esplodere in presenza di una fonte di accensione, ad esempio una fiamma pilota. Per ridurre il rischio di lesioni gravi, non usare mai apparecchi alimentati a batteria in presenza di fiamme libere.** L'esplosione di una batteria comporta il lancio di detriti e sostanze chimiche. In caso di esposizione, risciacquare immediatamente con acqua.
- **Non mettere in funzione l'apparecchio senza aver installato i componenti necessari.** Verificare sempre che il tubo del soffiatore sia installato.
- **Non usare mai il soffiatore in prossimità di fuochi o cenere ardente.** L'uso in prossimità di fiamme o cenere comporta il rischio di incendio e il conseguente rischio di lesioni gravi e/o danni materiali.
- **Non usare mai il soffiatore per diffondere sostanze chimiche, fertilizzanti o altre sostanze tossiche.** La diffusione di tali sostanze comporta il rischio di lesioni gravi all'operatore o alle persone presenti.
- **Conservare queste istruzioni. Consultarle frequentemente e usarle per istruire gli altri operatori dell'apparecchio.** Se si presta l'apparecchio ad altre persone, allegare anche queste istruzioni per evitare l'uso errato dell'apparecchio e il rischio di infortuni.

CONSERVARE QUESTE ISTRUZIONI!

SPECIFICHE TECNICHE

Voltaggio	56V 
Volume dell'aria max. a livello della bocchetta	986 m³/h

Temperatura di funzionamento raccomandata	-15°C-40°C
Temperatura di conservazione raccomandata	-20°C-70°C
Massima velocità dell'aria	65m/s (senza ugello rotondo)
	75m/s (Con la bocchetta rotonda)
Autonomia approssimativa (con batteria EGO 5,0 Ah)	18 min (modo de Rajada)
	30 min (Velocidade alta)
	200 min (Velocidade baixa)
Forza di soffiaggio max.	18N
Peso (senza gruppo batteria)	2,18 kg
Livello di potenza sonora misurato L_{WA}	94,73 dB(A) K=2,83 dB(A)
Livello di pressione sonora a livello dell'orecchio dell'operatore L_{PA}	78,4 dB(A) K=2,5 dB(A)
Livello di potenza sonora garantito L_{WA} (misurato conformemente a 2000/14/EC)	98 dB(A)
Vibrazioni a_h	0,505 m/s ² K=1,5 m/s ²

- Il valore totale di vibrazioni indicato è stato misurato tramite il metodo di collaudo standard e può essere utilizzato per confrontare l'apparecchio con altri prodotti analoghi.
- Il valore totale di vibrazioni indicato può essere utilizzato anche per una valutazione preliminare dei livelli di esposizione.

ATTENZIONE! L'emissione di vibrazioni durante l'uso effettivo dell'apparecchio può variare rispetto al valore indicato in base a come viene utilizzato l'utensile. Per proteggersi, l'operatore deve indossare guanti e dispositivi di protezione per le orecchie in base alle reali condizioni d'uso.

CONTENUTO DELLA CONFEZIONE

NOME DEL COMPONENTE	QUANTITÀ
Soffiatore	1
Tubo del soffiatore	1
Accessorio bocchetta	2

Manuale di istruzioni	1
-----------------------	---

DESCRIZIONE

DESCRIZIONE DEL SOFFIATORE (Fig. A)

1. Bocchetta piatta
2. Bocchetta rotonda
3. Tubo del soffiatore
4. Pulsante di rilascio del tubo
5. Base
6. Apertura di ingresso dell'aria
7. Espulsore della batteria
8. Contatti elettrici
9. Dispositivo di chiusura
10. Pulsante rilascio batteria
11. Leva della velocità dell'aria
12. Pulsante Boost
13. Selettore di velocità/bloccaggio

⚠ AVVERTENZA! L'uso sicuro di questo apparecchio richiede la comprensione delle informazioni riportate sull'apparecchio e in questo manuale e la conoscenza del progetto di lavoro. Prima di usare l'apparecchio, familiarizzarsi con tutte le funzioni operative e le norme di sicurezza.

ASSEMBLAGGIO

⚠ AVVERTENZA! Seguire la stessa sequenza per installare o rimuovere la bocchetta piatta.

⚠ AVVERTENZA! Non tentare di modificare l'apparecchio o creare accessori non raccomandati per l'uso con questo soffiatore. Tali alterazioni o modifiche costituiscono un uso improprio e comportano condizioni pericolose e il rischio di lesioni gravi.

⚠ AVVERTENZA! Per evitare l'avvio accidentale e il conseguente rischio di lesioni gravi, rimuovere sempre il gruppo batteria dall'apparecchio prima dell'assemblaggio.

DESTINAZIONE D'USO

Questo prodotto può essere usato per gli scopi elencati di seguito:

- Pulire superfici dure come vialetti e passerelle.
- Mantenere pedane e vialetti privi di foglie e aghi di pino.

ATTENZIONE! Usare l'apparecchio esclusivamente per gli scopi previsti. Altri utilizzi sono da considerarsi uso improprio.

INSTALLARE/RIMUOVERE IL TUBO DEL SOFFIATORE

■ Installazione (Fig. B&C)

Allineare la scanalatura e premere il tubo nel corpo dell'apparecchio fino a udire un "clic".

■ Rimozione (Fig. D)

Premere il pulsante di rilascio del tubo ed estrarre il tubo.

INSTALLARE/RIMUOVERE LA BOCCHETTA ROTONDA/PIATTA

■ Installazione (Fig. E&F)

Allineare la scanalatura sull'ugello diffusore e il perno sul tubo e spingere l'ugello sul tubo finché non si incastra in posizione.

■ Rimozione (Fig. G)

Tenere premuto il pulsante di rilascio dell'ugello per disattivare il dispositivo di chiusura, quindi rimuovere l'ugello tirandolo.

AVVERTENZA! Seguire la stessa sequenza per installare o rimuovere la bocchetta piatta.

INSTALLARE/RIMUOVERE IL GRUPPO BATTERIA

Ricaricare prima del primo utilizzo.

Usare esclusivamente con i gruppi batteria e i caricabatteria elencati in fig. A.

■ Installazione (Fig. H)

Allineare i rilievi sul gruppo batteria con le scanalature di assemblaggio e premere il gruppo batteria fino a udire un "clic".

■ Rimozione (Fig. I)

Premere il pulsante di rilascio della batteria ed estrarre il gruppo batteria.

⚠ AVVERTENZA! Prestare sempre attenzione ai propri piedi e all'eventuale presenza di bambini o animali attorno a sé durante la rimozione del gruppo batteria. La caduta del gruppo batteria comporta il rischio di lesioni gravi. Non rimuovere MAI il gruppo batteria quando si è in posizione elevata.

Descrizione delle parti in Fig. H:

H-1	Pulsante di rilascio della batteria	H-3	Scanalatura di assemblaggio
H-2	Scanalatura della batteria		

AVVIARE/ARRESTARE IL SOFFIATORE (Fig. J)

- Solo con leva della velocità dell'aria

1. Premere la leva della velocità dell'aria per avviare il soffiatore.
 2. La velocità dell'aria del soffiatore è controllata dalla leva di velocità variabile. Una maggiore pressione sulla leva produce una maggiore velocità di soffiaggio; una pressione minore sulla leva produce una minore velocità di soffiaggio. Regolare la velocità in base al lavoro da svolgere.
 3. Rilasciare la leva della velocità dell'aria per spegnere il soffiatore.
- **Solo con selettore di velocità/bloccaggio**

È possibile accendere il soffiatore e impostarlo su qualsiasi velocità con il selettore di velocità/bloccaggio

1. Ruotare il selettore di velocità/bloccaggio in senso orario per avviare il soffiatore. La velocità dell'aria aumenta alla rotazione del selettore in senso orario.
2. Per ridurre la velocità dell'aria, ruotare il selettore di velocità/bloccaggio in senso antiorario.
3. Continuare a ruotare il selettore di velocità/bloccaggio in senso antiorario per arrestare il soffiatore.

AVVERTENZA! Se il selettore di velocità/bloccaggio non viene riportato in posizione di spegnimento prima di accendere il soffiatore, il soffiatore non si accenderà con il selettore di velocità/bloccaggio dopo aver installato una batteria carica. Si tratta di un meccanismo di protezione che evita l'avvio accidentale. Premere la leva della velocità dell'aria per disattivare la protezione.

Premere il pulsante Boost durante il lavoro per aumentare temporaneamente la velocità dell'aria al livello massimo. Al rilascio del pulsante, il soffiatore tornerà alla velocità precedente.

Descrizione delle parti in Fig. J :

J-1	Selettore di velocità/bloccaggio	J-3	Leva della velocità dell'aria
J-2	Pulsante Boost		

COME USARE IL SOFFIATORE

- Per evitare di spargere i detriti, soffiare lungo i bordi esterni del cumulo di detriti. Non soffiare mai direttamente verso il centro del cumulo.
- Per ridurre la rumorosità, limitare il numero di apparecchi utilizzati contemporaneamente.

- Usare rastrelli e scope per smuovere i detriti prima di soffiarli. In aree di lavoro polverose, inumidire leggermente le superfici, se possibile.
- Fare attenzione all'eventuale presenza di bambini, animali, finestre aperte o automobili appena lavate e soffiare i detriti in direzione opposta.
- Dopo l'uso di soffiatori o altri apparecchi, fare pulizia! Smaltire i detriti adeguatamente.
- Si raccomanda di non usare il soffiatore ad alta velocità per lunghi periodi: l'esposizione prolungata a vibrazioni e rumore può essere dannosa per la salute.

MANUTENZIONE

AVVERTENZA! Per la riparazione dell'apparecchio, usare esclusivamente parti di ricambio identiche. L'uso di altri ricambi comporta situazioni pericolose o il rischio di danni all'apparecchio. Per garantire sicurezza e affidabilità, tutte le riparazioni e sostituzioni devono essere eseguite da un tecnico qualificato.

AVVERTENZA! Per evitare lesioni gravi, rimuovere sempre il gruppo batteria dall'apparecchio prima delle operazioni di pulizia o manutenzione.

MANUTENZIONE GENERALE

Evitare l'uso di solventi durante la pulizia delle parti in plastica. La maggior parte dei materiali plastici può essere danneggiata da diversi tipi di solventi in commercio. Usare un panno pulito per rimuovere sporcizia, polvere, olio, grasso, ecc.

AVVERTENZA! Impedire il contatto di liquido per freni, benzina, prodotti a base di petrolio, oli penetranti, ecc. con le parti in plastica. Le sostanze chimiche possono danneggiare, indebolire o distruggere la plastica, comportando il rischio di lesioni gravi.

CONSERVAZIONE

- Rimuovere il gruppo batteria dal soffiatore.
- Rimuovere tutti i materiali estranei dalle aperture di ventilazione del soffiatore.
- Riporre l'apparecchio in un luogo al chiuso inaccessibile ai bambini. Tenerlo al riparo da agenti corrosivi, ad esempio sostanze chimiche per il giardinaggio e sale per disgelo.

Protezione dell'ambiente



Non smaltire gli apparecchi elettrici, caricabatteria e batterie/batterie ricaricabili insieme ai rifiuti indifferenziati!

Conformemente alle direttive europee 2012/19/EU e 2006/66/CE, i rifiuti di apparecchiature elettriche ed elettroniche, pile e accumulatori devono essere raccolti separatamente e smaltiti nel rispetto dell'ambiente.

Se gli apparecchi elettrici vengono smaltiti nelle discariche, le sostanze pericolose possono infiltrarsi nelle falde acquifere e contaminare la catena alimentare, con effetti dannosi sulla salute e il benessere.

IT

RISOLUZIONE DEI PROBLEMI**IT**

PROBLEMA	CAUSA	SOLUZIONE
Il soffiatore non funziona.	<ul style="list-style-type: none">■ Il gruppo batteria non è installato sul soffiatore.■ Il contatto elettrico tra il soffiatore e la batteria è mancante.■ Il gruppo batteria è scarico.■ Il gruppo batteria o il soffiatore sono troppo caldi. ■ Il selettore di velocità/bloccaggio non è stato riportato in posizione di spegnimento prima di accendere il soffiatore.	<ul style="list-style-type: none">■ Installare il gruppo batteria sul soffiatore.■ Rimuovere la batteria, ispezionare i contatti e reinstallare il gruppo batteria.■ Ricaricare il gruppo batteria.■ Attendere che la temperatura del gruppo batteria e del soffiatore scenda al di sotto di 67°C.■ Premere la leva della velocità dell'aria per disattivare la protezione e avviare il soffiatore o ruotare il selettore di velocità/bloccaggio fino alla posizione di spegnimento.
La velocità dell'aria diminuisce visibilmente.	<ul style="list-style-type: none">■ La ventola del motore è usurata.■ La presa d'ingresso dell'aria è ostruita da detriti.	<ul style="list-style-type: none">■ Contattare il centro di assistenza EGO per la riparazione.■ Estrarre il gruppo batteria e rimuovere i detriti.

GARANZIA**CONDIZIONI DELLA GARANZIA EGO**

Visitare il sito web egopowerplus.com per consultare le condizioni complete della garanzia EGO.

LEES ALLE INSTRUCTIES!



LEES DE GEBRUIKERSHANDLEIDING

OPMERKING: Deze instructies zijn ook als alternatief formaat verkrijgbaar, bijv. op een website.

⚠ Restrisico! Personen met elektronische apparaten, zoals pacemakers, moeten eerst hun art(sen) raadplegen voordat ze dit product mogen gebruiken. De werking van een elektrisch apparaat in de nabijheid van een pacemaker kan een storing of defect aan de pacemaker veroorzaken.

⚠ WAARSCHUWING: Om de veiligheid en betrouwbaarheid continu te kunnen waarborgen, dienen alle reparaties en vervangingen van onderdelen uitgevoerd te worden door een vakbekwame reparateur.

VEILIGHEIDSSYMBOLEN

Het doel van de veiligheidssymbolen is om u te wijzen op mogelijke gevaren. Besteed daarom voldoende aandacht hieraan en begrijp de veiligheidssymbolen en bijbehorende uitleg. De symboolwaarschuwingen op zich elimineren geen enkel gevaar. De gegeven instructies en waarschuwingen gelden niet als vervanging voor gepaste voorzorgsmaatregelen tegen ongevallen.

⚠ WAARSCHUWING: Lees en begrijp alle veiligheidsinstructies die in deze gebruikershandleiding zijn vermeld, waaronder alle veiligheidssymbolen zoals “**GEVAAR**”, “**WAARSCHUWING**”, en “**OPGELET**” voordat u dit apparaat in gebruik neemt. Het negeren van onderstaande instructies kan leiden tot elektrische schokken, brand en/of ernstig persoonlijk letsel.

SCHADEPREVENTIE EN INFORMATIEMEDELINGEN

Deze informeren de gebruiker over belangrijke informatie en/of instructies wat kan leiden tot schade aan het apparaat of andere eigendommen als deze niet correct worden opgevolgd. Elk bericht wordt voorafgegaan door het woord “MEDEDELING”, zoals in onderstaand voorbeeld.

OPMERKING: Schade aan apparaten en/of eigendommen kunnen zich voordoen als deze instructies niet worden opgevolgd.



⚠ WAARSCHUWING: e werking van het apparaat kan leiden tot het rondslingeren van (vreemde) objecten die in uw ogen kunnen terechtkomen. Dit kan leiden tot ernstig oogletsel. Wanneer u elektrische apparaten gebruikt, zorg er dan voor dat u altijd een veiligheidsbril (met zijschermen) of een gelaatsscherm draagt. We bevelen aan om een gelaatsscherm over uw bril of standaard veiligheidsbril met zijschermen te gebruiken.

NL

VEILIGHEIDSVORSCHRIFTENS

Deze pagina toont en beschrijft alle veiligheidssymbolen die zich op dit product kunnen bevinden. Lees, begrijp en volg alle instructies op de machine voordat u deze in elkaar zet en gebruikt.

	Veiligheidswaarschuwing	Voorzorgsmaatregelen voor uw veiligheid.
	Draag oogbescherming	Draag altijd een veiligheidsbril met zijschermen en een gelaatsscherm als u dit product gebruikt.
	Draag oorbescherming	Draag altijd gehoorbescherming wanneer u dit product gebruikt.
	Lees de gebruikershandleiding	De gebruiker dient de gebruiksaanwijzing voor het gebruik van dit product te lezen om risico op letsel te beperken.
	Houd omstanders uit de buurt	Houd alle omstanders minstens 15 meter uit de buurt.
V	Volt	Spanning
A	Ampère	Stroom
Hz	Hertz	Frequentie (cycli per seconde)
W	Watt	Vermogen
min	Minuten	Tijd
m ³ /h	Kubieke meter per uur	Luchtvolume

km/h	Kilometer per uur	Luchtsnelheid
~	Wisselstroom	Stroomtype
≡	Gelijkstroom	Stroomtype of -karakteristiek
n_0	Snelheid zonder belasting	Draaisnelheid, zonder belasting
... /min	Per minuut	Toeren per minuut

NL

Volg altijd de standaard veiligheidsrichtlijnen als u een elektrisch apparaat gebruikt, met inbegrip van de volgende.

ALGEMENE VEILIGHEIDSWAARSCHUWINGEN VOOR ELEKTRISCH GEREEDSCHAP

⚠ WAARSCHUWING: LEES ALLE VEILIGHEIDSWAARSCHUWINGEN, INSTRUCTIES, ILLUSTRATIES EN SPECIFICATIES DIE MET DIT ELEKTRISCH GEREEDSCHAP ZIJN MEEGELEVERD.

Het negeren van onderstaande instructies kan leiden tot een elektrische schok, brand en/of ernstig letsel.

BEWAAR ALLE WAARSCHUWINGEN EN INSTRUCTIES VOOR TOEKOMSTIG GEBRUIK.

De term "elektrisch gereedschap" in de waarschuwingen refereert naar elektrisch gereedschap met een stroomkabel (kabelgebonden) of met een accu (kabelloos).

VEILIGHEID OP DE WERKPLEK

- **Houd de werkplek schoon en goed verlicht.** Verontreinigde of donkere omgevingen werken ongelukken in de hand.
- **Gebruik elektrisch gereedschap niet in een explosieve omgeving, zoals in de aanwezigheid van brandbare vloeistoffen, gassen of stof.** Elektrische gereedschappen veroorzaken vonken die stof of dampen kunnen ontsteken.
- **Houd kinderen en omstanders uit de buurt wanneer u een elektrisch gereedschap bedient.** Afleiding kan tot controleverlies leiden.

ELEKTRISCHE VEILIGHEID

- **De stekker van het elektrisch gereedschap moet met het stopcontact overeenstemmen. Pas de stekker op geen enkele manier aan. Gebruik geen adapterstekker met geaard elektrisch gereedschap.** Niet aangepaste stekkers en overeenkomstige stopcontacten beperken het risico op elektrische schokken.
- **Vermijd lichaamscontact met geaarde oppervlakken, zoals pijpleidingen, radiatoren, fornuizen of koelkasten.** Het risico op een elektrische schok is groter als uw lichaam geaard is.
- **Stel elektrisch gereedschap niet bloot aan regen of vochtige omstandigheden.** Water dat elektrisch gereedschap binnendringt, vergroot het risico op elektrische schokken.
- **Misbruik de kabel niet. Gebruik de kabel nooit om te dragen, te trekken of de stekker uit het stopcontact te trekken. Houd de kabel uit de buurt van hitte, olie, scherpe randen of bewegende onderdelen.** Beschadigde of in de war geraakte kabels vergroten het risico van een elektrische schok.
- **Als u buitenshuis met elektrische apparaten werkt, dient u een verlengkabel te gebruiken dat geschikt is voor gebruik buitenshuis.** Het gebruik van een kabel dat specifiek geschikt is voor gebruik buitenshuis vermindert het risico op een elektrische schok.
- **Als het gebruik van elektrisch gereedschap in een vochtige ruimte noodzakelijk is, gebruik dan een verliesstroomautomaat.** Het gebruik van een verliesstroomautomaat verkleint het risico op elektrische schokken.

PERSOONLIJKE VEILIGHEID

- **Wees attent, let op wat u gaat doen en gebruik uw gezonde verstand terwijl u een elektrisch gereedschap gebruikt. Gebruik geen elektrisch gereedschap wanneer u moe bent of onder invloed van drugs, alcohol of medicijnen staat.** Een moment van onoplettendheid tijdens het gebruik van het elektrisch gereedschap kan leiden tot ernstig persoonlijk letsel.
- **Maak gebruik van een persoonlijke beschermende uitrusting. Draag altijd oogbescherming.** Een beschermende uitrusting zoals een stofmasker, stroeve veiligheidsschoenen, een veiligheidshelm, of gehoorbescherming die onder de juiste omstandigheden worden gebruikt, zullen het risico op persoonlijk letsel reduceren.

- **Voorkom per ongeluk inschakelen. Controleer of de schakelaar zich in de uit-stand bevindt voordat u het elektrisch gereedschap op de stroom of het accupack aansluit, het gereedschap oplijft of draagt.** Elektrische gereedschap met de vinger op de schakelaar te dragen of het gereedschap aan de stroom te sluiten terwijl de schakelaar op aan staat, is een uitnodiging voor ongelukken.
- **Verwijder instelgereedschap of sleutels voordat u het elektrisch gereedschap inschakelt.** Een sleutel die zich nog aan het gereedschap bevindt en in de buurt van een draaiend onderdeel van het elektrisch gereedschap is, kan tot persoonlijk letsel leiden.
- **Buig niet te ver naar voren.** Zorg altijd voor een veilige stand en goed evenwicht. Hierdoor zorgt u voor een betere controle over het elektrisch gereedschap in onverwachte situaties.
- **Draag geschikte kleding. Draag geen los zittende kleding of sieraden. Houd uw haren, kleding en handschoenen uit de buurt van bewegende onderdelen.** Los zittende kleding, sieraden of lang haar kan vast komen te zitten in bewegende onderdelen.
- **Als apparaten een voorziening hebben voor het afzuigen van stof en het verzamelen ervan, dient u ervoor te zorgen dat deze ook worden aangesloten en correct worden gebruikt.** Het gebruik van een stofafzuiging kan aan stof gerelateerde gevaren verminderen.
- **Word niet zelfingenomen door de ervaring die u heeft opgedaan door frequent gebruik, waardoor u dan de veiligheidswaarschuwingen negeert.** Een achteloze actie kan binnen een fractie van een seconde ernstig letsel veroorzaken.

HET GEBRUIK EN ONDERHOUD VAN ELEKTRISCH GEREEDSCHAP

- **Oefen geen geweld uit op het elektrisch gereedschap. Gebruik het juiste elektrische gereedschap voor uw toepassing.** Het juiste elektrische gereedschap voert het werk beter en veiliger uit met het toerental waarvoor het werd ontwikkeld.
- **Gebruik het elektrisch gereedschap niet als het niet met behulp van de schakelaar kan worden in- en uitgeschakeld.** Ieder elektrisch gereedschap dat niet door de schakelaar kan worden bediend is gevaarlijk en moet worden gerepareerd.
- **Haal de stekker uit het stopcontact en/of het accupack uit het elektrisch gereedschap voordat u instellingen uitvoert, accessoires vervangt, of het elektrisch gereedschap opslaat.** Dergelijke

preventieve veiligheidsmaatregelen verminderen het risico dat het elektrisch gereedschap per ongeluk start.

- **Sla uitgeschakelde elektrische gereedschappen buiten het bereik van kinderen op en sta niet toe, dat personen die niet op de hoogte zijn van het elektrisch gereedschap of de instructies voor het gebruik van het elektrisch gereedschap dit gebruiken.** Elektrische gereedschappen zijn gevaarlijk in de handen van onervaren gebruikers.
- **Onderhoud van elektrisch gereedschap. Controleer de verkeerde montage of bevestiging van bewegende delen, gebroken onderdelen en ieder ander probleem dat het gebruik van het elektrisch gereedschap kan beïnvloeden. Als het beschadigd is, dient u het elektrisch gereedschap voor gebruik te laten repareren.** Veel ongevallen worden veroorzaakt door slecht onderhouden elektrische gereedschappen.
- **Houd snijgereedschap scherp en schoon.** Goed onderhouden snijgereedschap met scherpe snijranden raken minder snel vast en zijn gemakkelijker te bedienen.
- **Gebruik het elektrisch gereedschap, accessoires en bits etc. in overeenstemming met deze instructies. Rekening houdend met de werkvoorwaarden en het werk dat wordt uitgevoerd.** Het gebruik van het elektrisch gereedschap voor doeleinden andere dan de voorziene, kan tot gevaarlijke situaties leiden.
- **Houd de handgrepen en greepvlakken droog, schoon en vrij van olie en smeervet.** Glibberige handgrepen en greepvlakken maken een veilige omgang en de controle over het elektrisch gereedschap in onverwachte situaties onmogelijk.

HET GEBRUIK EN ONDERHOUD VAN ACCU GEREEDSCHAP

- **Laad de oplader alleen op met de lader die door de fabrikant wordt aangegeven.** Een lader die geschikt is voor het ene soort accupack kan een risico op brand veroorzaken als hij met een andere accupack wordt gebruikt.
- **Gebruik elektrische gereedschappen alleen met de aangegeven accupacks.** Het gebruik van andere accupacks dan de aangegeven kan een risico op letsel en brand veroorzaken.
- **Als een accupack niet wordt gebruikt, dient u het uit de buurt te houden van metalen voorwerpen, zoals paperclips, muntjes, sleutels, spijkers, schroeven of andere metalen voorwerpen die een verbinding van de ene pool met de andere kunnen veroorzaken.** Het kortsluiten van de polen van het accupack kan brandwonden of vuur veroorzaken.

- In geval van geweld kan vloeistof uit de accu lekken; voorkom contact. Als er per ongeluk sprake is van contact, dient u het met water af te spoelen. Als u vloeistof in de ogen krijgt dient u bovendien een arts te raadplegen. Vloeistof uit de accu kan irritatie of brandwonden veroorzaken.
- Gebruik geen accupack of gereedschap dat is beschadigd of aangepast. Beschadigde of aangepaste accu's kunnen resulteren in onvoorzien gedrag zoals brand, explosie of het risico op letsel.
- Stel een accupack of gereedschap niet bloot aan vuur of excessieve temperaturen. Blootstelling aan vuur of temperaturen boven 130 °C kunnen leiden tot een explosie.
- Neem alle laadinstructies in acht en laad het accupack of het gereedschap niet buiten het gespecificeerde temperatuurbereik in de handleiding op. Het onjuist laden of bij een temperatuur buiten het temperatuurbereik kan de accu beschadigen en er bestaat een gevaar op brand.

SERVICE

- Laat uw elektrisch gereedschap repareren door een gekwalificeerde reparateur en alleen met identieke reserve-onderdelen. Dit waarborgt de veiligheid van het elektrisch gereedschap.
- Repareer beschadigde accupacks nooit. Onderhoud van accupacks mag alleen worden uitgevoerd door de fabrikant of een geautoriseerde dienstverlener.

LEES ALLE INSTRUCTIES DOOR VOOR GEBRUIK VAN DIT PRODUCT!

TRAINING

- Sta kinderen, personen met een gereduceerde fysieke, sensorische of mentale capaciteiten of een gebrek aan ervaring en kennis of mensen die niet op de hoogte zijn van deze instructies, het gebruik van deze machine nooit toe.
- De bediener of gebruiker is verantwoordelijk voor ongevallen of gevaren die zich bij ander personen of hun eigendommen voordoen.

VOORBEREIDING

- Het elektrisch gereedschap kan in regen of onder vochtige omstandigheden worden gebruikt. Droog het elektrisch gereedschap af na het werk.

- Voor gebruik, controleer de batterijen of accupacks op schade. Gebruik het apparaat niet als de batterijen of het accupack beschadigd is.

GEBRUIK

- Het elektrisch gereedschap kan in regen of onder vochtige omstandigheden worden gebruikt. Droog het elektrisch gereedschap af na het werk.
- Ontkoppel de batterijen of accupacks:
 1. Wanneer u het apparaat zonder toezicht achterlaat;
 2. Voor het verwijderen van een verstopping;
 3. Voor het controleren, reinigen of onderhouden van het apparaat;
 4. Als het apparaat overmatig trilt.
- Let op uw houding als u het apparaat op hellingen gebruikt.
- Altijd lopen, nooit rennen.
- Houd alle ventilatieopeningen vrij van vuil.
- Het is aanbevolen om het apparaat alleen op redelijke uren te gebruiken – niet vroeg in de morgen of laat in de avond, zodat de burens niet worden gestoord.

- Het is aanbevolen om de oppervlakken in een stoffige omgeving eerst lichtjes vochtig te maken of een nevelopzetstuk te gebruiken.

⚠ WAARSCHUWING: Gevaar voor roterende onderdelen!

- Gebruik het mondstuk zodat de luchtstroom dicht bij de grond kan werken.
- Gebruik de machine niet in de buurt van open ramen etc.

ONDERHOUD EN OPSLAG

- Zorg dat alle moeren, bouten en schroeven altijd stevig vastgedraaid zijn om een veilige werking van het apparaat te waarborgen.
- Vervang versleten of beschadigde onderdelen.
- Gebruik alleen originele reserve-onderdelen en toebehoren.
- Berg het apparaat alleen op in een droge ruimte.

⚠ WAARSCHUWING: Om het risico op brand, elektrische schok of lichamelijk letsel te beperken:

BELANGRIJK

LEES GRONDIG VOOR GEBRUIK.

BEWAAR VOOR LATERE RAADPLEGING.

- **Gebruik de bladblazer niet als speelgoed. Houd toezicht wanneer gebruikt door of in de buurt van kinderen.**
- **Lever de bladblazer in bij een bevoegd servicecentrum als deze niet naar behoren werkt, gevallen of beschadigd is of in water is gevallen.**
- **Steek geen voorwerpen in de openingen. Gebruik het apparaat niet als er een opening belemmerd is. Houd de openingen vrij van stof, pluïsjes, haar en andere stoffen die de luchtstroom doen afnemen.**
- **Wees voorzichtig wanneer u trappen reinigt.**
- **Laat de bladblazer niet zonder toezicht achter wanneer de accustekker is aangesloten. Haal de accu uit de bladblazer wanneer deze niet in gebruik is, alsmede tijdens onderhoud.**
- **Raak de oplader, waaronder de stekker of aansluitklemmen, niet met natte handen aan.**
- **Laad de accu niet buitenshuis op.**

WAARSCHUWING:

- Haal het accupack uit het gereedschap alvorens het gereedschap af te danken.

- Gooi het accupack op een veilige manier weg.

- **PROBEER NIET** om verstoppingen te verwijderen terwijl de accu zich nog in het apparaat bevindt.
- **Houd de accublazblazer en het handvat droog, schoon en vrij van olie en smeervet. Gebruik alleen een schone doek om het apparaat te reinigen.** Maak uw bladblazer nooit schoon met een remvloeistof, benzine of producten op basis van aardolie of andere agressieve oplosmiddelen. Door deze regel op te volgen beperkt u het risico op controleverlies en aantasting van de kunststof behuizing.
- **Accu's kunnen exploderen in de aanwezigheid van een ontstekingsbron, zoals een waakvlam.** Om het risico op ernstig persoonlijk letsel te beperken, mag u nooit een snoerloos product in de aanwezigheid van een open vlam gebruiken. Een geëxplodeerde batterij kan vuil en chemische stoffen vrijgeven. Mocht u hieraan worden blootgesteld, dient u het onmiddellijk met water af te spoelen.

- **Gebruik het apparaat nooit zonder correct geplaatste opzetstukken.** Zorg dat de blaasbuis altijd op een correcte manier is geïnstalleerd.
- **Gebruik de bladblazer nooit in de buurt van vuur of hete as.** Gebruikt u het apparaat in de buurt van vuur of as dan kan het vuur verspreiden en ernstig letsel en/of schade aan eigendommen veroorzaken.
- **Gebruik de bladblazer nooit voor het verspreiden van chemicaliën, meststoffen of andere giftige stoffen.** Het verspreiden van dit soort stoffen kan leiden tot ernstig letsel aan de gebruiker of omstanders.
- **Bewaar deze gebruiksaanwijzing. Raadpleeg de gebruiksaanwijzing indien nodig en gebruik deze om andere personen die dit apparaat zullen gebruiken te instrueren.** Als u dit apparaat aan iemand anders geeft, geef hem/haar dan in ieder geval ook de gebruiksaanwijzing mee om verkeerd gebruik en mogelijk letsel te voorkomen.

BEWAAR DEZE GEBRUIKSAANWIJZING!

SPECIFICATIES

Spanning	56V
Maximaal luchtvolume bij het mondstuk	986 m ³ /h
Aanbevolen bedrijfstemperatuur	-15°C-40°C
Aanbevolen opslagtemperatuur	-20°C-70°C
Maximale lichtsnelheid	65m/s (zonder rond mondstuk)
	75m/s (Met rond mondstuk)
Geschatte werkingstijd (met EGO 5,0 Ah accu)	18 min (boost-modus)
	30 min (hoge snelheid)
	200 min (lage snelheid)
Maximale blaaskracht	18N
Gewicht van de bladblazer (zonder accupack)	2,18 kg
Gemeten geluidsvermogensniveau L _{WA}	94,73 dB(A) K=2,83 dB(A)
Geluidsdruk niveau aan het oor van de bediener L _{PA}	78,4 dB(A) K=2,5 dB(A)
Gegarandeerd geluidsvermogensniveau L _{WA} (gemeten volgens 2000/14/EG)	98 dB(A)

NL

Vibratie a_h	0,505 m/s ² K=1,5 m/s ²
----------------	--

- De opgegeven totale vibratiewaarde is gemeten volgens de standaard testmethode en kan worden gebruikt om het apparaat met een ander apparaat te vergelijken;
- De opgegeven totale vibratiewaarde kan ook worden gebruikt in een voorafgaande beoordeling op blootstelling.
- **OPMERKING:** De vibratie-afgifte tijdens het werkelijk gebruik van het elektrisch gereedschap kan verschillen van de opgegeven totale waarde; Om de bediener te beschermen dient de gebruiker tijdens het gebruik handschoenen en gehoorbescherming te dragen.

NL

INHOUD VAN DE VERPAKKING

OMSCHRIJVING VAN DE ONDERDELEN	AANTAL
Bladblazer	1
Blaasbuis	1
Mondstuk toebehør	2
Gebruiksaanwijzing	1

BESCHRIJVING

KEN UW BLADBLAZER (afb. A)

1. Vlak mondstuk
2. Rond mondstuk
3. Blaasbuis
4. Buis-vrijgaveknop
5. Voet
6. Luchtinlaat
7. Accuvrijgave
8. Elektrische contacten
9. Vergrendeling
10. Accuvrijgaveknop
11. Knop voor de luchtsnelheid
12. Boost-knop
13. Snelheids-/vergrendelingsknop

WAARSCHUWING: Om dit product op een veilige manier te gebruiken moet men zowel de informatie vermeld op het apparaat en in deze gebruikershandleiding goed begrijpen alsmede een goede kennis hebben van de taak die u wilt uitvoeren. Voordat u dit product gebruikt, maak u zich vertrouwd met alle gebruiksfuncties en veiligheidsvoorschriften.

MONTAGE

WAARSCHUWING: Als er onderdelen beschadigd zijn of ontbreken, gebruik dit product niet totdat alle onderdelen vervangen of aanwezig zijn. Dit product gebruiken met beschadigde of ontbrekende onderdelen kan ernstig persoonlijk letsel veroorzaken.

WAARSCHUWING: Probeer niet om dit product aan te passen of accessoires te maken die niet voor gebruik met deze bladblazer zijn aanbevolen. Een dergelijke aanpassing of wijziging is misbruik en kan leiden tot gevaar en een ernstig persoonlijk letsel.

WAARSCHUWING: Om onbedoeld starten te voorkomen dat ernstig persoonlijk letsel zou kunnen veroorzaken, dient u altijd het accu-pak uit het gereedschap te verwijderen als u onderdelen monteert.

TOEPASSING

U kunt dit product gebruiken voor onderstaand vermelde doeleinden:

- Reinigen van harde oppervlakken zoals opritten en paden.
- Houd terrassen en opritten vrij van bladeren en dennennaalden.

OPMERKING: Het gereedschap mag alleen voor het voorheen genoemde doeleinde worden gebruikt. Ieder ander gebruik is in dit geval misbruik.

DE BLAASBUIS MONTEREN/VERWIJDEREN

- **Monteren (afb. B&C)**
Breng de groef in lijn en druk de buis op de behuizing van de blazer totdat u een "klik" hoort.
- **Verwijderen (afb. D)**
Druk de buis-ontgrendelingsknop en trek de buis eruit.

MONTEREN/VERWIJDEREN VAN DE HET RONDE/VLAKKE MONDSTUK VAN DE BLADBLAZER

- **Monteren (afb. E&F)**
Zorg dat de groef in het sproeimondstuk overeen komt met de knop aan de buis en druk de sproeier op de buis totdat hij vast klikt.

■ **Verwijderen (afb. FF)**

Druk op de ontgrendelknop voor de sproeier om de grendel te ontkoppelen en trek de sproeier recht van de ventilator.

OPMERKING: Volg dezelfde volgorde om het platte mondstuk te monteren of te verwijderen.

INSTALLEREN/VERWIJDEREN VAN HET ACCUPACK

Voor de eerste ingebruikname opladen.

Gebruik alleen met in afb. A vermelde accupacks en opladers.

■ **Installeren (afb. H)**

Breng de geleiders van de accu overeen met de montagesleuven en druk het accupack naar beneden totdat u “klik” hoort.

■ **Verwijderen (afb. I)**

Druk de accu-ontgrendelingsknop naar beneden en trek het accupack eruit.

⚠ WAARSCHUWING: Houd altijd rekening met de positie van uw voeten, kinderen of huisdieren die zich in de buurt bevinden in het oog wanneer u op de accuvrijgaveknop drukt. Ernstig letsel kan zich voordoen wanneer het accupack valt. Haal de accu NOOIT uit het apparaat wanneer u zich op een hoge positie bevindt.

Afb. H beschrijving van de onderdelen zie beneden:

H-1	Accuvrijgaveknop	H-3	Montagegleuf
H-2	Accu-ribbel		

DE ACCUBLADBLAZER STARTEN/STOPPEN (afb. J)

■ **Knop voor uitsluitend de luchtsnelheid**

1. Druk de knop voor de luchtsnelheid in om de bladblazer in te schakelen.
2. De luchtsnelheid van de bladblazer wordt met behulp van de variabele snelheidsregelaar ingesteld. Meer druk op de knop resulteert in een hogere blaassnelheid; minder druk op de knop resulteert in een geringere blaassnelheid. Pas de snelheid aan de uit te voeren werkzaamheden aan.
3. Laat de knop voor de luchtsnelheid los om de bladblazer uit te schakelen.

■ **Uitsluitend snelheids-/vergrendelingsknop**

De bladblazer kan worden ingeschakeld en op elke snelheid worden vergrendeld met de snelheids-/vergrendelingsknop.

1. Draai de snelheids-/vergrendelingsknop met de klok mee om de bladblazer te starten. De luchtsnelheid neemt toe als de knop verder met de klok mee wordt gedraaid.
2. Om de luchtsnelheid te verminderen, draait u de snelheids-/vergrendelingsknop tegen de klok in.
3. Draai de snelheids-/vergrendelingsknop zolang tegen de klok in totdat de bladblazer zich in de uit-positie bevindt.

OPMERKING: Als de snelheids-/vergrendelingsknop niet terug wordt gezet op de uit-positie voordat u de bladblazer inschakelt, start de bladblazer niet als gevolg van de snelheids-/vergrendelingsknop als er een opgeladen accu is geïnstalleerd. Dit is een veiligheidskenmerk om een ongewenste start te voorkomen. Door op de knop voor de luchtsnelheid te drukken, kan de bescherming worden gedeactiveerd.

Door op de boost-knop te drukken terwijl u aan het werken bent, verhoogt tijdelijk de luchtsnelheid op een maximum niveau. De bladblazer keert terug naar de eerder ingestelde snelheid zodra deze knop wordt losgelaten.

Afb. J beschrijving van de onderdelen zie beneden:

J-1	Snelheids-/vergrendelingsknop	J-3	Knop voor de luchtsnelheid
J-2	Boost-knop		

DE BLADBLAZER BEDIENEN

- Om het verspreiden van vuil te voorkomen, blaas rond de buitenrand van de vuilstapel. Blaas nooit direct in het midden van de stapel.
- Om het geluidsniveau te houden, beperk het aantal apparaten dat tegelijkertijd wordt gebruikt.
- Gebruik een hark of bezem om het afval los te maken voordat u het wegblaast. In een stoffige omgeving, maak het oppervlak lichtjes nat in geval water aanwezig is.
- Let op voor kinderen, huisdieren, open vensters of pas gewassen auto's. Blaas het vuil op een veilige manier weg.
- Na gebruik van een bladblazer of ander apparaat, ruim het vuil op! Gooi het vuil op een correcte manier weg.
- Het wordt niet aanbevolen de bladblazer gedurende een langere periode op de hoogste snelheid te gebruiken, aangezien sterke trillingen en geluid schadelijk voor uw gezondheid kunnen zijn.

ONDERHOUD

⚠ WAARSCHUWING: Bij reparatie, gebruik uitsluitend identieke reserve-onderdelen. Het gebruik van andere onderdelen kan gevaar opleveren of schade aan het product veroorzaken. Laat alle reparaties uitvoeren door een vakbekwame reparateur om een continue veiligheid en betrouwbaarheid te waarborgen.

⚠ WAARSCHUWING: Om ernstig persoonlijk letsel te voorkomen dient u het accupack voor de reiniging of het onderhoud altijd uit het product te halen.

NL

ALGEMEEN ONDERHOUD

Maak de kunststof onderdelen niet schoon met oplosmiddelen. De meeste kunststoffen kunnen worden beschadigd wanneer ze in contact komen met commerciële oplosmiddelen. Gebruik een schone doek voor het verwijderen van vuil, stof, olie, smeer, etc.

⚠ WAARSCHUWING: Zorg dat remvloeistoffen, benzine, producten op basis van aardolie, oliën, etc. op geen enkel moment met de kunststof onderdelen in aanraking komen. Chemicaliën kunnen de kunststof onderdelen beschadigen, verzwakken of vernietigen en ernstig persoonlijk letsel veroorzaken.

OPSLAG

- Haal het accupack uit de bladblazer.
- Verwijder alle vreemde materialen uit de luchtinlaten van de bladblazer.
- Berg binnenshuis op in een ruimte die voor kinderen ontoegankelijk is. Houd uit de buurt van corrosieve middelen, zoals tuinchemicaliën en strooizout.

Het milieu beschermen



Gooi geen elektrische apparaten, acculaders en accu's/oplaadbare batterijen met het huisafval weg!

Elektrische en elektronische apparaten, in overeenstemming met de Europese wet 2012/19/EG, en defecte of verbruikte accupacks/batterijen, in overeenstemming met 2006/66/EG, moeten afzonderlijk worden ingezameld en op een milieuvriendelijke manier afgedankt worden.

Als elektrische apparaten op een stortterrein of vuilnisbelt terecht komen, kunnen gevaarlijke stoffen in het grondwater lekken en in de voedselketen komen wat schadelijk is voor uw gezondheid en welzijn.

PROBLEEMOPLOSSING

PROBLEEM	OORZAAK	OPLOSSING
De accublader werkt niet.	<ul style="list-style-type: none">■ De accu is niet op de accublader aangesloten.■ Er is geen elektrisch contact tussen de accublader en accu.■ De accu is uitgeput■ De accu of accublader is te warm.■ De snelheids-/vergrendelingsknop werd niet teruggezet op de uitpositie voordat de blader werd ingeschakeld.	<ul style="list-style-type: none">■ Sluit de accu op de accublader aan.■ Verwijder de accu, controleer de aansluitklemmen en plaats de accu terug.■ Laad de accu op.■ Koel de accu en accublader af totdat de temperatuur lager dan 67°C is.■ Druk de knop voor de luchtsnelheid om de bescherming te deactiveren en start de blader of draai de snelheids-/vergrendelingsknop eerst naar de uitpositie.
De luchtsnelheid is aanzienlijk lager.	<ul style="list-style-type: none">■ Buitensporige slijtage van de motorventilator.■ De luchtinlaat is verstopt door vuil.	<ul style="list-style-type: none">■ Neem contact op met het servicecentrum van EGO voor reparatie.■ Haal de accu uit en verwijder het vuil.

NL

GARANTIE

EGO GARANTIEVOORWAARDEN

Bezoek onze website egopowerplus.com voor alle voorwaarden van de EGO garantie.

LÆS ALLE ANVISNINGER!



LÆS BRUGSANVISNINGEN

BEMÆRK: Disse anvisninger skal også være tilgængelige i et alternativt format, f.eks. på et websted.

⚠ Særlig risiko! Folk med elektroniske anordninger, såsom pacemakere, bør spørge deres læge til råds, før de bruger dette produkt. Betjening af elektrisk udstyr i umiddelbar nærhed af en pacemaker kan forårsage forstyrrelser eller svigt af pacemakeren.

⚠ ADVARSEL: For at sikre sikkerhed og pålidelighed, bør alle reparationer og udskiftninger udføres af en kvalificeret servicetekniker.

SIKKERHEDSSYMBOLER

Formålet med sikkerhedssymboler er at gøre dig opmærksom på mulige farer. Du bør være meget opmærksom på sikkerhedssymboler og forklaringer til dem og lære at forstå dem. Symboladvarslar fjerner ikke i sig selv eventuelle farer. Anvisningerne og advarslerne er ingen erstatning for korrekte forebyggelsesforanstaltninger mod ulykker.

⚠ ADVARSEL: Sørg for at læse og forstå alle sikkerhedsanvisninger i denne brugsanvisning, inklusive alle sikkerhedssymboler, såsom "FARE", "ADVARSEL" og "FORSIGTIGHED", før du bruger dette værktøj. Hvis du ikke følger advarslar og anvisninger, kan det resultere i elektrisk stød, brand og/eller alvorlig personskade.

FOREBYGGELSE AF ØDELÆGGELSER OG INFORMATIONSBEKEDER

Disse informerer brugeren om vigtige oplysninger og/eller anvisninger, der kan føre til skader på udstyr eller anden ejendom, hvis de ikke følges. Hver meddelelse indledes med ordet "BEMÆRK", som i eksemplet nedenfor:

BEMÆRK: Der kan ske skade på udstyr og / eller ejendom, hvis disse anvisninger ikke følges.



⚠ ADVARSEL: Brugen af et elværktøj kan resultere i, at du får fremmedlegemer i øjnene, hvilket kan give alvorlige øjenskader. Inden du begynder at bruge et elværktøj, skal du altid bære beskyttelsesbriller eller sikkerhedsbriller med sidebeskyttelse og om nødvendigt en fuld ansigtsmaske. Vi anbefaler en maske med bredt udsyn til brug over briller eller standard sikkerhedsbriller med sidebeskyttelse.

SIKKERHEDSANVISNINGER

Denne side viser og beskriver sikkerhedssymboler, der kan forekomme på dette produkt. Læs, forstå, og følg alle anvisninger på apparatet, før du forsøger at samle og betjene det.

	Sikkerhedsvarsel	Forsigtighedsregler for din sikkerhed.
	Bær beskyttelsesbriller	Bær altid beskyttelsesbriller eller sikkerhedsbriller med sidebeskyttelse og om nødvendigt en fuld ansigtsmaske.
	Brug høreværn	Bær altid høreværn, når du betjener dette produkt.
	Læs brugsanvisningen	For at mindske risikoen for skade skal brugeren læse brugervejledningen, inden produktet tages i brug.
	Hold omkringstående på afstand	Hold alle omkringstående mindst 15m væk.
V	Volt	Spænding
A	Ampere	Strøm
Hz	Hertz	Frekvens (cyklusser pr. sekund)
W	Watt	Effekt
min	Minutter	Tid
m ³ /h	Kubikmeter pr. time	Luftmængde

km/h	Kilometer pr. time	Lufthastighed
	Vekselstrøm	Type spænding
	Jævnstrøm	Type af eller egenskab for strøm
n_0	Hastighed uden belastning	Rotationshastighed, uden belastning
... /min	Pr. minut	Omdrejninger pr. minut

Ved brug af et elektrisk apparat bør grundlæggende forholdsregler altid følges, herunder følgende:

ALMINDELIGE SIKKERHEDSADVARSLER FOR ELVÆRKTØJ

⚠ ADVARSEL: LÆS ALLE SIKKERHEDSADVARSLER, ANVISNINGER, BILLEDER OG SPECIFIKATIONER, DER FØLGER MED DETTE VÆRKTØJ. Hvis anvisningerne nedenfor ikke følges, kan det føre til elektrisk stød, brand og/eller alvorlig personskade

GEM ALLE ADVARSLER OG ANVISNINGER TIL FREMTIDIG BRUG.

Udtrykket "elværktøj" i advarslerne refererer til dit lysnetdrevne (med ledning) elværktøj eller batteridrevne (ledningfrie) elværktøj.

SIKKERHED I ARBEJDSOMRÅDET

- **Hold arbejdsområdet rent og godt oplyst** Rodede eller uoplyste arbejdsområder inviterer til ulykker.
- **Brug ikke elværktøj i eksplosive atmosfærer, såsom i nærheden af brændbare væsker, benzin eller støv.** Elektrisk værktøj skaber gnister, der kan antænde støv eller dampe.
- **Hold børn og omkringstående på afstand, mens du betjener et elværktøj.** Forstyrrelser kan medføre, at du mister kontrollen.

ELEKTRISK SIKKERHED

- **Stik på elværktøj skal passe til stikkontakten. Lav aldrig om på stikket på nogen måde. Brug ikke adapterstik sammen med jorden (jordforbundet) elværktøj.** Uændrede stik og passende stikkontakter reducerer risikoen for elektrisk stød

- **Undgå kropskontakt med jordforbundne overflader, såsom rør, radiatorer, komfurer og køleskabe.** Der er en øget risiko for elektrisk stød, hvis din krop bliver jordforbundet.
- **Udsæt ikke elværktøj for regn eller våde forhold.** Vand i et elværktøj øger risikoen for elektrisk stød.
- **Du må ikke mishandle ledningen. Brug aldrig ledningen til at bære eller trække apparatet eller trække stikket ud. Hold ledningen væk fra varme, olie, skarpe kanter eller bevægelige dele.** Beskadede eller sammenfiltrede ledninger øger risikoen for elektrisk stød.
- **Når maskinen benyttes udendørs, skal du bruge en forlængerledning til udendørs brug.** Brug af en forlængerledning til udendørs brug nedsætter risikoen for elektrisk stød.
- **Hvis det ikke kan undgås at benytte apparatet i fugtige omgivelser, så brug et stik med jordfejls-fejlstrømsrelæ.** Anvendelse af jordfejls-fejlstrømsrelæ reducerer risikoen for elektrisk stød.

PERSONLIG SIKKERHED

- **Vær opmærksom, se, hvad du laver, og brug sund fornuft, når du benytter et elværktøj. Brug ikke apparatet, hvis du er træt eller er påvirket af narkotika, alkohol eller medicin.** Et øjeblik uopmærksomhed ved brug af maskinen kan føre til alvorlige personskader.
- **Brug personlige værnemidler. Bær altid beskyttelsesbriller.** Værnemidler, såsom støvmaske, skridsikre sikkerhedssko, hjelm eller høreværn, der anvendes under passende betingelser, nedsætter risikoen for personskade.
- **Forebyg utilsigtet start. Sørg for kontakten er i slukket position før værktøjet tilsluttes til strømkilde og/eller batteripakke, samles op eller bæres.** Hvis du bærer elværktøj med fingeren på kontakten eller sætter strøm til elværktøj, der har kontakten tændt, beider du om ulykker.
- **Fjern indstillingsværktøj eller skruenøgler, før det elektriske værktøj startes.** En skruenøgle eller andet værktøj, der sidder i en roterende del af elværktøjet, kan give personskade.
- **Læn dig ikke for langt forover. Stå ordentlig fast og vær hele tiden i balance.** Dette giver bedre kontrol over elværktøjet i uventede situationer.
- **Fornuftig påklædning. Bær ikke løst tøj eller smykker. Hold dit hår, tøj og handsker væk fra bevægelige dele.** Løst tøj, smykker eller langt hår kan blive fanget i bevægelige dele.

- Hvis der er installeret anordninger for tilslutning af støvdugsnings- og opsamlingsudstyr, så sørg for, at dette tilsluttes og anvendes korrekt. Anvendelse af støvanordninger kan reducere støvrelaterede risici.
- Selvom du ofte bruger og har et godt kendskab til værktøjer, må du ikke være overmodig eller glemme sikkerhedsprincipperne. En uagtsom handling kan forårsage alvorlig skade i en brøkdæl af et sekund.

BRUG OG PLEJE AF ELVÆRKTØJ

- **Tving ikke elværktøj. Brug det korrekte elværktøj til det, du skal lave.** Det korrekte elværktøj vil gøre arbejdet bedre og mere sikkert ved den hastighed, som det er beregnet til.
- **Brug ikke elværktøjet, hvis kontakten ikke tænder og slukker.** Et apparat, hvor kontakterne ikke dur, er farligt og skal repareres.
- **Træk stikket til apparatets strømforsyning ud af stikkontakten og/eller batteripakken, inden du foretager justeringer, skifter tilbehør eller lægger den til opbevaring.** Sådanne forebyggende sikkerhedsforanstaltninger reducerer risikoen for at starte det elektriske værktøj utilsigtet.
- **Opbevar ubenyttet elværktøj utilgængeligt for børn, og tillad ikke personer, der ikke kender elværktøjet eller disse anvisninger at betjene elværktøjet.** Elværktøj er farligt i hænderne på utrænede brugere.
- **Vedligehold elværktøjet. Kontrollér, at de bevægelige dele ikke er fejljusterede eller binder eller er i en tilstand, der kan påvirke elværktøjets drift. Få det beskadigede elværktøj repareret før brug.** Mange ulykker forårsages af dårligt vedligeholdt elværktøj.
- **Hold skærende værktøj skarpt og rent.** Omhyggeligt vedligeholdt skæreværktøj med skarpe skærekanter er mindre tilbøjelige til at binde og er lettere at styre.
- **Brug elværktøj, tilbehør og bits osv. i overensstemmelse med disse anvisninger, under hensyntagen til arbejdsforholdene og det arbejde, der skal udføres.** Anvendelse af værktøjet til andre formål end dem, de er beregnet til, kan medføre en farlig situation.
- **Hold håndtag og gribeblader tørre, rene og fri for olie og fedt.** Glatte håndtag og glatte overflader, der holdes i, gør værktøjet farligt at bruge i uventede situationer.

BATTERIVÆRKTØJETS BRUG OG PLAJE

- **Oplad kun med de opladere, der er anført af fabrikanten.** En oplader, der er velegnet til én type batteripakke, kan øge risikoen for brand, når den bruges med en anden batteripakke.

- **Anvend kun elværktøj med specifikt anviste batteripakker.** Brug af andre batteripakker kan skabe risiko for personskade og brand.
- **Når batteripakken ikke er i brug, skal den holdes væk fra andre metalgenstande som papirclips, mønter, nøgler, søm, skruer eller andre små metalgenstande, der kan skabe forbindelse fra en pol til en anden.** Kortslutning af batteripolerne kan forårsage forbrændinger eller brand.
- **Ved forkert anvendelse kan der slippe væske fra batteriet; undgå kontakt. Kommer man uheldigvis i kontakt med væsken: Skyl med vand. Hvis væsken kommer i øjnene, skal man også søge læge.** Væskesprøjt fra batteriet kan forårsage irritation eller forbrændinger.
- **Anvend ikke et batteri eller et værktøj, der er beskadiget eller modificeret.** Beskadigede eller modificerede batterier kan opføre sig uforudsigeligt og forårsage brand, eksplosion eller risiko for personskade.
- **Udsæt ikke et batteri eller et værktøj for ild eller for høj temperatur.** Udsættelse for ild eller temperaturer over 130 °C kan forårsage eksplosion.
- **Følg alle anvisninger vedrørende opladning, og oplad ikke batteriet eller værktøjet uden for temperaturområdet angivet i anvisningerne.** Forkert opladning eller temperaturer uden for det angivne område kan beskadige batteriet og øge risikoen for brand.

SERVICE

- **Har Elektrisk værktøj skal serviceres af en kvalificeret reparatør kun bruger originale reservedele.** På denne måde sikrer man, at elværktøjet forbliver sikkert at bruge.
- **Udfør aldrig selv service på beskadigede batterier.** Service på batterier bør kun udføres af producenten eller godkendte servicecentre.

LÆS ALLE ANVISNINGER, FØR APPARATET TAGES I BRUG.

TRAINING

- **Lad aldrig børn, personer med nedsatte fysiske, sensoriske eller mentale evner eller manglende erfaring og viden, eller folk der ikke kender disse instruktioner bruge apparatet.**

- Brugeren er ansvarlig for eventuelle ulykker eller farer for andre personer eller deres ejendom.

FORBEREDELSE

- Elværktøj kan bruges i regn og våde forhold. Tør elværktøjet af efter brug.
- Før brug skal du kontrollere batterier eller batteripakker for skader. Brug ikke apparatet, hvis batterierne eller batteripakken er beskadiget.

BETJENING

- Elværktøj kan bruges i regn og våde forhold. Tør elværktøjet af efter brug.
- Afbryd batterier eller batteripakker:
 1. Når du forlader apparatet
 2. Inden fjernelse af en blokering;
 3. Før du kontrollerer, rengør eller arbejder på apparatet
 4. Hvis apparatet begynder at vibrere unormalt.
- Sørg altid for godt fodfæste på skrånende overflader.
- Gå, aldrig løbe.
- Hold alle køleluftindtag fri for snavs.
- Det anbefales kun at benytte apparatet på rimelige tidspunkter - ikke tidligt om morgenen eller sent om aftenen, når det kan forstyrre folk.
- Det anbefales at fugte overflader, hvis der er støvet, eller bruge forstøvertilbehør.

⚠ ADVARSEL: Fare for roterende dele!

- Lad blæserdysen være fuldt udvidet, så luftstrømmen kan arbejde tæt på jorden.
- Brug ikke maskinen i nærheden åbne vinduer mv.

VEDLIGEHOLDELSE OG OPBEVARING

- Hold alle møtrikker, bolte og skruer stramme for at være sikker på, at apparatet er i sikker stand.
- Udskift slide eller beskadigede dele.
- Brug kun originale reservedele og tilbehør.
- Opbevar kun apparatet på et tørt sted.

⚠ ADVARSEL: For at reducere risikoen for brand, elektrisk stød, eller tilskadekomst:

VIGTIG

LÆS OMHYGGELIGT FØR BRUG.

GEM TIL FREMTIDIGE REFERENCE.

- Lad ikke løvblæseren blive brugt som legetøj. Man skal være særligt opmærksom, når den anvendes af eller i nærheden af børn.
- Hvis løvblæseren ikke fungerer som den skal, er blevet tabt, beskadiget eller faldet i vandet, returneres den til et servicecenter.
- Put ikke genstande i åbninger i apparatet. Må ikke anvendes med nogen åbning blokeret; hold åbninger fri for støv, fnug, hår, og noget, der kan reducere luftstrømmen.
- Vær ekstra forsigtig ved rengøring på trapper.
- Efterlad ikke løvblæseren uden opsyn, når batteristikket er isat. Fjern batteriet, når løvblæseren ikke er i brug og før service.
- Rør ikke ved opladeren, herunder opladerens stik eller opladerens terminaler med våde hænder.
- Oplad ikke batteriet udendørs.

⚠ ADVARSEL:


- Batteripakken skal fjernes fra apparatet, inden det bortskaffes.
- Batteriet skal bortskaffes på sikker måde.
- Forsøg IKKE at fjerne fastsiddende klumper fra apparatet uden først at fjerne batteriet.
- Hold blæseren og dens håndtag tørre, rene og fri for olie og fedt. Brug altid en ren klud ved rengøring. Brug aldrig bremsevæske, benzin, oliebaseerede produkter eller andre kraftige opløsningsmidler til rengøring af blæseren. Hvis denne regel følges, vil det mindske risikoen for tab af kontrol og ødelæggelse af plastikkabinettet.
- Batterier kan eksplodere i nærheden af en antændelseskilde, såsom en flamme. For at reducere risikoen for alvorlig personskaade, bør man aldrig bruge ledningsfrie produkter i nærheden af åben ild. Et eksploderet batteri kan sende snavs og kemikalier i alle retninger. Ved udsættelse herfor skylles straks med vand.

- **Brug aldrig apparatet, uden at det rette udstyr er monteret.** Sørg altid for, at blæserrøret er sat på.
- **Brug aldrig løvblæseren nær ild eller varm aske.** Brug nær ild eller aske kan sprede ilden og medføre alvorlig skade på personer eller ejendom.
- **Brug aldrig løvblæseren til at sprede kemikalier, gødning eller andre giftige stoffer.** Spredning disse stoffer kan medføre alvorlig skade på operatøren eller omkringstående.
- **Gem disse vejledninger. Brug dem regelmæssigt, og brug dem til at instruere andre, der skal bruge dette værktøj.** Hvis du låner nogen dette værktøj, så lad dem også få anvisningerne med, så de undgår fejlbrug af produktet og mulig personskade.

DK

GEM DISSE VEJLEDNINGER!

SPECIFIKATIONER

Spænding	56V 
Maksimal luftmængde ved mundstykket	986 m ³ /h
Anbefalet driftstemperatur	-15°C-40°C
Anbefalet opbevaringstemperatur	-20°C-70°C
Den maksimale lufthastighed	65m/s (uden runde dyse)
	75m/s (Med rundt mundstykke)
Anslået driftstid (med EGO's 5,0Ah batteri)	18 min (forstærket funktion)
	30 min (høj hastighed)
	200 min (lav hastighed)
Maksimal blæsekraft	18N
Løvblæserens vægt (uden batteripakke)	2,18 kg
Målt lydeffektniveau L_{WA}	94,73 dB(A) K=2,83 dB(A)
Lydtryk ved brugerens øre L_{PA}	78,4 dB(A) K=2,5 dB(A)
Garanteret lydeffektniveau L_{WA} (målt i henhold til direktiv 2000/14/EF)	98 dB(A)
Vibration a_h	0,505 m/s ² K=1,5 m/s ²

- Den deklarerede samlede værdi for vibrationer er målt i overensstemmelse med en standardiseret prøvningsmetode og kan anvendes til at sammenligne et værktøj med et andet.
- Den deklarerede samlede værdi for vibrationer kan også anvendes ved en foreløbig vurdering af eksponeringen.

BEMÆRK: Udsendelsen af vibrationer ved faktisk brug af elværktøjet kan afvige fra den angivne værdi, der hvor værktøjet anvendes. For at beskytte operatøren, bør vedkommende bære handsker og høreværn under de faktiske brugsbetingelser.

PAKKELISTE

DELENS NAVN	ANTAL
Løvblæser	1
Løvblæserrør	1
Montering af mundstykke	2
Brugsanvisning	1

BESKRIVELSE

KEND DIN BLÆSER (billed A)

1. Fladt mundstykke
2. Rundt mundstykke
3. Blæserrør
4. Udløserknop til rør
5. Underside
6. Luftindtag
7. Frigivelse af batteri
8. Elektriske kontakter
9. Lås
10. Udløserknop til batteri
11. Luftstyrkeknop
12. Forstærkningsknop
13. Hastighed/Låseknop

⚠ ADVARSEL: Sikker brug af dette produkt kræver en forståelse af oplysningerne om værktøjet og i denne brugsanvisning samt kendskab til det arbejde, du vil udføre. Før brug af dette produkt skal du gøre dig fortrolig med alle funktioner og sikkerhedsregler.

SAMLING

⚠ ADVARSEL: Hvis der er dele, der er beskadigede eller mangler, anvendes apparatet ikke, før delene er udskiftet. Brug af dette produkt med beskadigede eller manglende dele kan medføre alvorlig personskade.

⚠ ADVARSEL: Forsøg ikke at ændre dette produkt eller fremstille tilbehør, der ikke anbefales til brug med denne løvblæser. Enhver sådan ændring eller modifikation er misbrug og kan resultere i en farlig situation, der fører til eventuel alvorlig personskade.

⚠ ADVARSEL: For at forhindre utilsigtet start, der kan forårsage alvorlige personskader, skal batteriet altid tages ud af værktøjet, når delene sættes på.

ANVENDELSE

Du kan bruge dette produkt til de formål, der er nævnt nedenfor:

- Rydning af hårde overflader såsom indkørsler og fortove.
- Holde terrasser og indkørsler fri for blade og fyrrenåle.

BEMÆRK: Værktøjet skal kun bruges til det formål, det er beregnet. Enhver anden anvendelse anses for at være et tilfælde af fejlbrug.

MONTERING / AFMONTERING af BLÆSERRØRET

▪ Samling (billed B&C)

Lad rillen flugte, og skub røret på blæserhuset, indtil du hører et "klik".

▪ Adskillelse (billed D)

Tryk på udløserknappen til røret, træk røret af.

SAMLING/AFTAGELSE AF DET RUNDE/FLADE MUNDSTYKKE

▪ Sådan sættes sprededysen på (billed E&F)

Sørg for at rillen på sprededysen passer med røret, og tryk den på røret indtil den klikker på plads.

▪ Sådan tages sprededysen af (billede G)

Hold udløserknappen til dysen nede, så låsen låses op, og træk derefter dysen af blæseren.

BEMÆRK: Følg samme rækkefølge, når det falde mundstykke sættes på og tages af.

INSTALLATION / FJERNELSE AF BATTERIPAKKEN

Opplad før første brug.

Produktet må kun bruges med batteripakkerne og opladerne, der står på listen i fig. A

▪ Installation (billed H)

Flugt batteriets ribber med monteringsrillerne, og tryk batteripakken ned, indtil du hører et "klik".

▪ Afmontering (billed I)

Tryk på udløserknappen til batteriet, og træk batteripakken ud.

⚠ ADVARSEL: Vær altid opmærksom på dine fødders placering og på børn eller kæledyr omkring dig, når du trykker på udløserknappen til batteripakken. Der kan opstå alvorlig skade, hvis batteriet falder. Fjern ALDRIG batteripakken, når du står højt hævet.

Se beskrivelsen for delene i fig. H nedenfor:

H-1	Udløserknap til batteri	H-3	Batterikammer
H-2	Batteri-rille		

START / STOP AF BLÆSEREN (billed J)

▪ Kun luftstyrkeknapp

1. Tryk på luftstyrkeknappen, for at tænde blæseren.
2. Blæserens luftstyrke styres med luftstyrkeknappen. Jo mere knappen trykkes ned, jo kraftigere bliver luftstyrken. Jo mindre knappen trykkes ned, jo svagere bliver luftstyrken. Juster styrken i henhold til opgaven.
3. Slip luftstyrkeknappen, for at slukke blæseren.

▪ Kun styrke/låseknapp

Blæseren kan tændes og låses på alle styrker med styrke/låseknappen.

1. Drej styrke/låseknappen med uret, for at starte blæseren. Luftstyrken forøges, når drejeknappen drejes med uret.
2. For at reducere luftstyrken, skal styrke/låseknappen drejes mod uret.
3. Fortsæt med at dreje styrke/låseknappen mod uret, indtil blæseren stopper.

BEMÆRK: Hvis blæseren ikke slukkes på styrke/låseknappen, før den tændes, er det ikke mulig, at starte blæseren med styrke/låseknappen, når et opladet batteri er sat i. Dette er en beskyttelsesfunktion, som skal forhindre utilsigtet start. Tryk på luftstyrkeknappen, for at deaktivere denne beskyttelsesfunktion.

DK

Tryk på forstærkningsknappen, når blæseren er i brug, for midlertidigt at forøge luftstyrken til den højeste styrke. Blæseren går tilbage til den forrige styrke, når forstærkningsknappen slippes.

Se beskrivelsen for delene i fig. J nedenfor:

J-1	Styrke/låseknop	J-3	Luftstyrkeknop
J-2	Forstærkningsknop		

BETJENING AF BLÆSER

- For ikke at sprede snavset og skidtet bør man blæse rundt om yderkanterne af bunken af snavs og skidt. Blæs aldrig direkte ind i midten af en bunke.
- For at reducere lydniveauet bør antallet af stykker tilbehør, der anvendes på et givet tidspunkt, begrænses
- Brug river og koste til at løsne skidt og snavs, før der blæses. Hvis der er støvet, så fugt overfladerne let, hvis der er vand i nærheden.
- Hold øje med børn, kæledyr, åbne vinduer eller nyvaskede biler, og blæs skidt og snavs sikkert i den rigtige retning.
- Efter at have brugt løvblæseren eller andet udstyr: Ryd op! Bortskaf skidt og snavs på korrekt vis.
- Det anbefales ikke at bruge blæseren på høj styrk i længere tid, da blæseren kan vibrerer og støje meget, hvilket kan være skadelige for dit helbred.

VEDLIGEHOLDELSE

⚠ ADVARSEL: Ved service må der kun bruges originale reservedele fra EGO. Brug af andre dele kan forårsage fare eller forårsage skader på produktet. For at sikre sikkerhed og pålidelighed skal alle reparationer udføres af en kvalificeret servicetekniker.

⚠ ADVARSEL: For at undgå alvorlig personskade skal batteripakken altid fjernes fra produktet, når der skiftes tilbehør, under rengøring eller vedligeholdelse.

ALMINDELIG VEDLIGEHOLDELSE

Undgå at bruge opløsningsmidler ved rengøring af plastdele. De fleste plastmaterialer risikerer at blive ødelagt ved brug af forskellige typer af alment tilgængelige opløsningsmidler. Brug rene klude til at fjerne snavs, støv, olie, fedt osv.

⚠ ADVARSEL: Lad aldrig bremsevæske, benzin, oliebaseerede produkter, indtrængende olier osv. komme i kontakt med plastdele. Kemikalier kan beskadige, svække eller ødelægge plast, hvilket kan resultere i alvorlig personskade.

OPBEVARING

- Tag batteripakken ud af blæseren.
- Fjern alle fremmedlegemer fra løvblæserens luftindtag.
- Opbevar indendørs på et sted, der er utilgængelig for børn. Holdes væk fra ætsende stoffer, såsom havekemikalier og vejsalt.

Beskyttelse af miljøet



Smid ikke elektrisk udstyr, batterioplader og batterier / genopladelige batterier i affaldsspanden!

Ifølge EU-direktiv 2012/19/EU og EU-direktiv 2006/66/EF skal henholdsvis elektrisk og elektronisk udstyr, der ikke længere er brugbart, og defekte eller brugte batterier / batteripakker indsamles særskilt og bortskaffes på miljørigtig måde.

Hvis elektriske apparater smides på lossepladsen eller affaldsdeponier kan der sive giftige stoffer ned i grundvandet og komme ud i fødekæden og gøre skade på menneskers sundhed og velfærd.

FEJLFINDING

PROBLEM	ÅRSAG	LØSNING
Løvblæser virker ikke.	<ul style="list-style-type: none">■ Batteripakken er ikke sat på løvblæseren.■ Ingen elektrisk kontakt mellem løvblæseren og batteriet.■ Batteripakken er afladet.■ Batteripakke eller løvblæser er for varm.■ Styrke/låseknappen blev ikke slukket, før blæseren blev tændt.	<ul style="list-style-type: none">■ Sæt batteripakken på løvblæseren.■ Fjern batteriet, kontrollér kontakterne, og sæt batteripakken på igen.■ Oplad batteripakken.■ Afkøl batteripakke og løvblæser, indtil temperaturen falder til under 67 °C.■ Tryk på luftstyrkeknappen, for at deaktivere beskyttelsesfunktionen, og start blæseren eller sluk den først på styrke/låseknappen.
Lufthastigheden falder betydeligt.	<ul style="list-style-type: none">■ Stærkt slid på motorventilator.■ Luftindtaget er blokeret af skidt og snavs.	<ul style="list-style-type: none">■ Kontakt EGO's servicecenter for reparation■ Fjern batteripakken, fjern skidt og snavs.

DK

GARANTI

EGO's GARANTIPOLITIK

Besøg venligst hjemmesiden egopowerplus.com for fuldstændige vilkår og betingelser for EGO's garantipolitik.

LÄS IGENOM ALLA INSTRUKTIONER!



LÄS IGENOM BRUKSANVISNINGEN

OBS: Dessa instruktioner skall även vara tillgängliga i ett alternativt format, t.ex. på en webbplats.

⚠ Kvarstående risker! Personer med elektroniska implantat såsom hjärtstimulatorer bör konsultera sin(a) läkare innan de använder denna produkt. Användning av elutrustning nära en hjärtstimulator kan störa eller avbryta dess funktion.

SE

⚠ VARNING! Alla reparationer bör utföras av en kvalificerad servicetekniker för att upprätthålla produktens säkerhet och driftssäkerhet.

SÄKERHETSSYMBOLER

Syftet med säkerhetssymboler är att fästa din uppmärksamhet på eventuella risker. Säkerhetssymbolerna och deras betydelser bör uppmärksammas noga och förstås. Själva varningssymboler kan dock inte förebygga någon fara. De instruktioner och varningar som de hänvisar till kan aldrig ersätta lämpliga olycksförebyggande åtgärder.

⚠ VARNING! Se till att läsa igenom och förstå alla säkerhetsinstruktioner i bruksanvisningen, inklusive alla varningssymboler såsom **“RISK”**, **“VARNING”** och **“VAR FÖRSIKTIG”**, innan produkten tas i bruk. Underlåtenhet att följa alla nedan angivna instruktioner kan leda till elstöt, brand och/eller svår personskada.

NOTER OM FOREBYGGANDE AV SKADA OCH INFORMATION

Dessa noter ger användaren viktig information och/eller instruktioner; om de inte följs kan det leda till skada på verktyget eller annan egendom. Varje not är markerad med “OBS” som i exemplet nedan:

OBS: Underlåtenhet att följa dessa instruktioner kan leda till skada på verktyget och/eller annan egendom.



⚠ VARNING! Arbete med eldrivna verktyg kan medföra att främmande föremål slungas upp i ögonen vilket kan orsaka svåra ögonskador. Ta alltid på dig skyddsglasögon eller skyddsglasögon med sidoskydd och vid behov ett komplett ansiktsskydd innan du börjar arbeta med eldrivna verktyg. Vi rekommenderar att använda ett heltäckande visir glasögon eller vanliga skyddsglasögon med sidoskydd.

SÄKERHETSINSTRUKTIONER

På denna sida anges säkerhetssymboler som kan förekomma på produkten. Alla instruktioner som anges på enheten bör granskas, förstås och följas innan du försöker montera och använda den.

	Säkerhetsvarning	Försiktighetsåtgärder för din säkerhet
	Använd skyddsglasögon	Använd alltid skyddsglasögon eller skyddsglasögon med sidoskydd och ett ansiktsskydd vid arbete med denna produkt.
	Använd hörselskydd	Använd alltid hörselskydd vid arbete med denna produkt.
	Läs igenom bruksanvisningen	För att minska risken för personskador måste användaren läsa igenom bruksanvisningen innan denna produkt används.
	Håll obehöriga på avstånd	Håll alla åskådare på ett avstånd av minst 15 meter.
V	Volt	Spänning
A	Ampere	Ström
Hz	Hertz	Frekvens (cykler per sekund)
W	Watt	Effekt
min	Minuter	Tid
m ³ /h	Kubikmeter per timme	Luftvolym
km/h	Kilometer per timme	Luftflödes hastighet

	Växelström	Strömtyper
	Likström	Strömtyper eller -specifikation
n_0	Hastighet obelastat	Rotationshastighet i obelastat tillstånd
... /min	Per minut	Rotationer per minut

Grundläggande försiktighetsåtgärder bör alltid vidtas vid arbete med eldrivna enheter, bl a de nedan angivna:

ALLMÄNNA SÄKERHETSVARNINGAR FÖR ELDRIVNA VERKTYG

VARNING! LÄS IGENOM ALLA SÄKERHETSVARNINGAR, INSTRUKTIONER, ILLUSTRATIONER OCH SPECIFIKATIONER SOM MEDFÖLJER DETTA MOTORDRIVNA VERKTYG.

Underlåtenhet att följa alla instruktioner som listas nedan kan resultera i elektriska stötar, brand och/eller allvarliga personskador

SPARA ALLA VARNINGAR OCH INSTRUKTIONER FÖR FRAMTIDA BEHOV.

Termen "eldrivnet verktyg" i varningarna hänvisar till ditt nätdrivna (med sladd) eller batteridrivna (sladdlösa) elverktyg.

SÄKERHET I ARBETSOMRÅDET

- **Håll arbetsområdet rent och väl belyst.** Stökiga eller mörka arbetsområden kan leda till olyckor.
- **Eldrivna verktyg får inte användas i explosiva miljöer** såsom i närvaro av lättantändliga vätskor, gaser eller damm. Eldrivna verktyg kan avge gnistor som kan tända damm eller ångor.
- **Håll barn och andra obehöriga på avstånd under arbete med eldrivna verktyg.** Distractioner kan få dig att tappa kontrollen.

ELSÄKERHET

- **Stickproppen av den elektriska enheten ska passa uttaget.** Stickproppen får aldrig modifieras på något sätt. Använd inga adapterstickproppar med jordade elektriska enheter. Omodifierade stickproppar och lämpliga uttag minskar risken för elstöt.
- **Undvik kroppskontakt med jordade ytor** såsom rör, radiatorer, elspisar och kylskåp. Risken för elstöt ökar när din kropp är jordad.
- **Eldrivna verktyg får inte utsättas för regn eller väta.** Intrång av vatten i verktyget ökar risken för elstöt.

- **Sladden får inte utsättas för påfrestningar.** Använd inte sladden för att bära, dra eller koppla ur laddaren. Håll laddaren borta från hög värme, olja, vassa kanter eller rörliga detaljer. Skadade eller tilltraslade sladdar ökar risken för elstöt.
- **Om ett eldrivet verktyg används utomhus, använd en förlängningsladd som är lämplig för utomhusbruk.** Sladdar för utomhusbruk minskar risken för elstöt.
- **Om användning av ett eldrivet verktyg i en fuktig miljö är oundviklig, använd ett strömnät som är skyddat med en jordfelsbrytare (RCD).** Användning av jordfelsbrytare minskar risken för elstöt.

PERSONSÄKERHET

- **Var uppmärksam, se vad du gör och använd sunt förnuft vid användning av ett eldrivet verktyg.** Eldrivna verktyg får inte användas medan du är trött eller påverkad av narkotika, alkohol eller läkemedel. Ett ögonblicks ouppmärksamhet under användning av ett eldrivet verktyg kan leda till svåra personskador.
- **Använd personlig skyddsutrustning.** Använd alltid skyddsglasögon. Skyddsutrustning såsom dammask, halkfria säkerhetsskor, hjälm eller hörselskydd som är lämplig för aktuella förhållanden förebygger personskador.
- **Undvik oavsiktlig start. Se till att huvudströmbrytaren är i avstängt läge innan du ansluter verktyget och/eller batteripacket eller lyfter upp eller bär verktyget.** Olyckor kan hända om du bär eldrivna verktyg med fingret på strömbrytaren eller startar eldrivna verktyg med strömbrytaren i påslaget läge.
- **Avlägsna eventuell justeringsnyckel eller annan nyckel innan verktyget slås på.** En nyckel som har lämnats på ett roterande maskindel kan orsaka personskador.
- **Sträck dig inte för långt. Se till att du hela tiden har säkert fotfäste och balans.** Så har du bättre kontroll över det eldrivna verktyget i oväntade situationer.
- **Ha på dig lämpliga kläder.** Använd inga löst sittande kläder eller smycken. Håll håret, kläderna och handskarna borta från rörliga detaljer. Lösa kläder, smycken eller långt hår kan fastna i rörliga detaljer.
- **Vid verktyg som är försedda med anslutningar för utsugning och uppsamling av damm ska du se till att dessa ansluts och används korrekt.** Användning av dammsug kan minska dammrelaterade risker.
- **Var alltid uppmärksam vid användning av verktyget, även efter många användningstillfällen, och ignorera inte verktygets säkerhetsprinciper.** En

SE

vårdslös handling kan orsaka allvarliga personskador inom bråkdelen av en sekund.

ANVÄNDNING OCH SKÖTSEL AV ELDRIVNA VERKTYG

- **Det eldrivna verktyget får inte överbelastas. Använd ett lämpligt verktyg för det aktuella arbetet.** Rätt verktyg fungerar bättre och säkrare vid hastigheter som det är avsett för
- **Det eldrivna verktyget får inte användas om dess huvudströmbrytare inte fungerar.** Ett eldrivet verktyg som inte kan styras med huvudströmbrytaren är farligt och ska repareras.
- **Koppla loss stickproppen från uttaget och/eller batteripacket från det eldrivna verktyget före justering, byte av tillbehör eller förvaring.** Sådana förebyggande säkerhetsåtgärder minskar risken för oavsiktlig start.
- **Eldrivna verktyg som inte används ska förvaras oåtkomligt för barn.** Ingen person som inte är förtrogen med det eldrivna verktyget eller dessa instruktioner får använda det eldrivna verktyget. Eldrivna verktyg är farliga i händerna på okunniga användare.
- **Ta hand om eldrivna verktyg. Kontrollera dem för skevning eller kärvning av rörliga detaljer, skada på detaljer eller annat som kan påverka verktygets funktion.** Ett skadat eldrivet verktyg ska repareras innan det används igen.
- **Många olyckor orsakas av bristande underhåll av eldrivna verktyg.** Håll skärverktyg vassa och rena. Vålskötta skärverktyg med vassa skärblad kärvar mindre och är lättare att styra.
- **Använd det eldrivna verktyget samt dess tillbehör, bits osv i enlighet med dessa instruktioner och med hänsyn till de aktuella arbetsförhållandena och arbetet som ska utföras.** Användning av eldrivna verktyg för ej avsedda ändamål kan medföra risk.
- **Håll handtagen och greppytorna torra, rena och fria från olja och fett.** Håll handtag och greppytor förhindrar säker hantering och kontroll av verktyget vid oväntade situationer.

ANVÄNDNING OCH SKÖTSEL AV BATTERIDRIVNA VERKTYG

- **Ladda endast med en laddare som har specificerats av tillverkaren.** En laddare som är lämplig för en typ av batteripack kan orsaka brandrisk om den används med något annat batteripack

- **Eldrivna verktyg får endast användas med batteripack som är uttryckligen avsedda för dem.** Användning av andra batteripack kan medföra risk för personskada och brand.
- **När batteripacket ställs av ska det hållas avskilt från andra metallföremål såsom gem, mynt, nycklar, spikar, skruvar eller andra små metallföremål som kan skapa en anslutning mellan batteripoler.** Kortslutning av batteripoler kan leda till brännskador eller brand.
- **Vid felaktig användning kan batteriet läcka vätska; undvik kontakt med vätskan. Skölj med vatten vid oavsiktlig hudkontakt. Om vätskan kommer i kontakt med ögonen, sök även läkarhjälp.** Batterivätska kan orsaka irritation eller brännskador.
- **Använd inte ett batteripack eller verktyg som skadats eller modifierats.** Skadade eller modifierade batterier kan leda till oförutsägbart uppträdande som leder till brand, explosion eller risk för personskador.
- **Utsätt inte batteripacket eller verktyget för eld eller extrema temperaturer.** Exponering av eld eller temperaturer över 130 °C kan orsaka explosion.
- **Följ alla laddningsinstruktioner och ladda inte batteripacket eller verktyget utanför det temperaturområde som anges i instruktionerna.** Felaktig laddning eller vid temperaturer utanför angivet temperaturområde kan skada batteriet och ökar risken för brand.

SERVICE

- **Lämna ditt elverktyg för service hos en kvalificerad servicetekniker som endast använder identiska utbytesdelar.** Det garanterar att säkerheten hos det motordrivna verktygets bibehålls.
- **Utför aldrig service på skadade batteripack.** Service av batteripack bör endast utföras av tillverkaren eller auktoriserade serviceverkstäder.

LÄS IGENOM ALLA INSTRUKTIONER INNAN DENNA PRODUKT ANVÄNDS!

UTBILDNING

- **Låt inte följande använda maskinen: Barn eller personer med nedsatt fysisk, sensorisk eller mental förmåga eller personer som saknar erfarenhet eller kunskap eller är obekanta med dessa instruktioner.**
- **Operatören eller användaren är ansvarig för olyckor eller faror som uppstår för andra personer eller deras egendom.**

FÖRBEREDELSE

- Elverktyget kan användas vid regn eller blöta förhållanden. Torka elverktyget efter att det använts klart.
- Före användning, kontrollera batterierna eller batteripacket efter skada. Använd inte apparaten om batterierna eller batteripacket är skadat.

ANVÄNDNING

- Elverktyget kan användas vid regn eller blöta förhållanden. Torka elverktyget efter att det använts klart.
- Koppla ur batterierna eller batteripacken:
 1. När du lämnar maskinen;
 2. Före en blockering åtgärdas;
 3. Före kontroller, rensning eller arbete på apparaten;
 4. Om apparaten börjar vibrera på ett onormalt sätt.
- Se alltid till att du är stadig på foten i slänter.
- Gå, spring aldrig.
- Hålla alla luftintag fria från skräp.
- Du rekommenderas att endast använda maskinen under dagtid - inte tidigt på morgon eller sent på kvällen då det kan störa andra.
- Du rekommenderas att fukta yorna något under dammiga förhållanden eller använda tillbehör för fuktning.

⚠ VARNING! Varning för roterande delar!

- Använd det långa munstycket för full blåsning så att luftströmmen arbetar nära marken.
- Använd inte maskinen nära öppna fönster osv.

UNDERHÅLL OCH FÖRVARING

- Se till att alla muttrar, bultar och skruvar är ordentligt åtdragna för att säkerställa att apparaten är i ett säkert skick.
- Byt ut slitna eller skadade delar.
- Använd endast äkta utbytesdelar och tillbehör.
- Förvara endast apparaten på en torr plats.

⚠ VARNING! För att minska risken för brand, elektriska stötar eller personskador:

VIKTIGT

LÄS IGENOM NOGA FÖRE ANVÄNDNING.

SPARA FÖR FRAMTIDA BRUK.

- Låt inte lövblåsaren användas som en leksak. Särskild uppmärksamhet krävs när den används av eller i närheten av barn.
- Om lövblåsaren inte fungerar som den ska, har tappats i marken, skadats eller tappats i vatten, lämna in den hos ett servicecenter.
- För inte in något föremål i öppningarna. Använd inte med någon öppning blockerad; håll öppningarna fria från damm, ludd, hår och övrigt material som kan minska luftflödet.
- Var extra försiktig vid rengöring på trappor.
- Lämna inte lövblåsaren obebakad när batterikontakten är ansluten. Ta ut batteriet från lövblåsaren när den inte används och före service.
- Hantera inte laddaren, inklusive dess laddningskontakt och batterikontakter med våta händer.
- Ladda inte batteripacket utomhus.

⚠ VARNING!


- Batteripacket måste tas ur apparaten innan det skrotas.
- Batteriet måste kasseras på ett säkert sätt.
- **DU FÅR INTE** rensa blockeringar i enheten utan att först ta ut batteriet.
- **Håll lövblåsaren och dess handtag torrt, rent och fritt från olja och fett.** Använd alltid en ren trasa vid rengöring. Använd aldrig bromsvätska, bensin, petroleumbaserade produkter eller starkt lösningsmedel för att rengöra lövblåsaren. Följ denna regel för att minska risken för tappad kontroll och försämring av plasthöljet.
- **Batterier kan explodera i närvaron av en antändningskälla, t.ex. en liten låga.** För att minska risken för allvarliga personskador, använd aldrig en trådlös produkt i närvaron av en öppen eldslåga. Ett exploderande batteri kan slunga iväg skräp och kemikalier. Om du får det på dig ska du omedelbart skölja med vatten.
- **Kör aldrig enheten utan lämplig utrustning monterad.** Se alltid till att blåsröret är monterat.
- **Använd aldrig lövblåsaren i närheten av bränder eller varm aska.** Om den används i närheten av bränder eller askor kan det sprida elden och resultera i allvarliga personskador och/eller skada på egendom.

- Använd aldrig lövblåsaren för att sprida kemikalier, gödselmedel eller andra giftiga ämnen. Om dessa ämnen sprids kan det resultera i allvarliga personskador för operatören eller andra i närheten.
- Spara dessa instruktioner. Läs igenom dem regelbundet och använd dem för att instruera andra som kan komma att använda detta verktyg. Om du lånar ut detta verktyg till någon, se även till att låna ut dessa instruktioner för att förhindra att produkten används felaktigt eller orsakar eventuella personskador.

SPARA DESSA INSTRUKTIONER!

SPECIFIKATIONER

SE

Spänning	56V 
Max. luftvolym vid munstycket	986 m ³ /h
Rekommenderad användningstemperatur	-15°C-40°C
Rekommenderad förvaringstemperatur	-20°C-70°C
Högsta lufthastigheten	65m/s (utan runda munstycke)
	75m/s (Med runt munstycke)
Ungefärlig batteritid (med EGO 5,0 Ah-batteri)	10 min (Boost-läge)
	30 min (Hög hastighet)
	200 min (Låg hastighet)
Max. blåskraft	18N
Lövblåsarens vikt (utan batteripack)	2,18 kg
Uppmätt ljudeffektnivå L _{WA}	94,73 dB(A) K=2,83 dB(A)
Ljudtrycksnivå vid operatörens plats L _{PA}	78,4 dB(A) K=2,5 dB(A)
Garanterad ljudeffektnivå L _{WA} (uppmätt i enlighet med 2000/14/EC)	98 dB(A)
Vibration a _h	0,505 m/s ² K=1,5 m/s ²

- Det angivna totalvärdet för vibration är uppmätt enligt standardprovningmetoden och kan användas för att jämföra olika verktyg;
- Det angivna totalvärdet för vibration kan även användas vid preliminär utvärdering av exponering

OBS! Den verkliga vibrationen under arbete med det eldrivna verktyget kan avvika från det angivna värdet. Användaren bör

ha på sig lämpliga handskar och hörselskydd för de aktuella arbetsförhållandena för att skydda sig.

PACKLISTA

KOMPONENTNAMN	ANTAL
Lövblås	1
Blåsrör	1
Munstycken för fastsättning	2
Bruksanvisning	1

BESKRIVNING

LÄRA KÄNNA DIN LÖVBLÅS (bild A)

1. Platt munstycke
2. Runt munstycke
3. Blåsrör
4. Frigöringsknapp för röret
5. Bas
6. Luftintag
7. Batteriutmatning
8. Elkontakter
9. Spärr
10. Frigöringsknapp för batteriet
11. Avtryckare för lufthastighet
12. Boost-knapp
13. Hastighet/låsreglage

⚠ VARNING! Säker användning av produkten förutsätter att man har förstått informationen om enheten och informationen i denna bruksanvisning samt är förtrogen med arbetet som ska utföras. Lär känna alla funktioner och säkerhetsregler innan produkten tas i bruk.

MONTERING

⚠ VARNING! Om någon av delarna skadats eller saknas, använd inte denna produkt förrän delarna har bytts ut. Användning av denna produkt med skadade eller saknade delar kan resultera i allvarliga personskador.

⚠ VARNING! Försök inte att modifiera denna produkt eller skapa tillbehör som inte rekommenderas för användning med denna lövblåsare. Alla sådana ändringar eller modifikationer är felaktigt användning och resulterar i farliga förhållanden som kan leda till allvarliga personskador.

⚠️ VARNING! För att förhindra oavsiktlig uppstart som kan orsaka allvarliga personskador, ta alltid bort batteripacket från verktyget vid montering av delar.

ANVÄNDNINGSSOMRÅDEN

Denna produkt kan användas för nedan angivna ändamål:

- Städning av hårda ytor såsom uppfarter och trottoarer.
- Rengöring av terrasser och uppfarter från löv och barr.

OBS! Verktyget får endast användas för sitt avsedda ändamål. All annan användning bedöms som felaktig användning.

MONTERA/TA BORT BLÅSRÖRET

■ Montering (bild B&C)

Rikta in skåran och tryck in röret på blåshöljet tills du hör ett "klick".

■ Borttagning (bild D)

Tryck på frigöringsknappen för röret och dra sedan ut röret.

MONTERING/BORTTAGNING AV LÖVBLÅSARENS RUNDA/PLATTA MUNSTYCKE

■ Montering (bild E&F)

Rikta in skåran i spridarmunstycket med slangknoppen och tryck in munstycket i slangens tills den klickar på plats.

■ Ta bort (bild G)

Håll in frigöringsknappen för spridaren för att frigöra spärren och dra sedan ut munstycket rakt ur blåsaren.

OBS! Upprepa proceduren för montering eller borttagning av det platta munstycket.

INSTALLERA/TA BORT BATTERIPACKET

Ladda före första användning.

Använd endast med de batteripack och laddare som listas i bild A.

■ Installera (bild H)

Rikta in listerna på batteriet med monteringsspåren och tryck sedan ner batteripacket tills du hör ett "klick".

■ Ta bort (bild I)

Tryck in frigöringsknappen för batteriet och dra sedan ut batteripacket.

⚠️ VARNING! Var alltid medveten om placeringen av dina fötter och var eventuellt närvarande barn eller husdjur befinner sig medan du trycker på lossningsknappen för batteriet. Ett tappat batteripack kan orsaka svåra skador. Ta ALDRIG ut batteripacket på ett högt belägen plats.

Bild H, beskrivning av delar:

H-1	Frigöringsknapp för batteriet	H-3	Monteringsgåra
H-2	Batteriupphöjning		

STARTA/STOPPA LÖVBLÅSAREN (bild J)

■ Endast för avtryckaren för lufthastighet

1. Tryck in avtryckaren för lufthastighet för att slå på lövblåsaren.
2. Lövblåsarens lufthastighet kontrolleras via den variabla avtryckaren för lufthastighet. Ju längre den trycks in, desto högre blåshastighet; ju mindre den trycks in, desto lägre blåshastighet. Justera hastigheten efter arbetet som utförs.
3. Släpp upp avtryckaren för lufthastighet för att stänga av lövblåsaren.

■ Endast för hastighet/låsreglage

Lövblåsaren kan slås på och låsas fast i valfri hastighet med hastighet/låsreglaget.

1. Vrid hastighet/låsreglaget medsols för att starta lövblåsaren. Lufthastigheten ökas när reglaget vrids medsols.
2. För att minska lufthastigheten, vrid hastighet/låsreglaget motsols.
3. Fortsätt vrida hastighet/låsreglaget motsols till av-läget för att stoppa lövblåsaren.

OBS! Om hastighet/låsreglaget inte vrids tillbaka till av-läget innan lövblåsaren slås på, kan lövblåsaren inte slås på via hastighet/låsreglaget när ett uppladdat batteri har monterats. Detta är en skyddsfunktion för att förhindra oavsiktlig uppstart. Tryck in avtryckaren för lufthastighet igen för att inaktivera skyddet.

Tryck in boost-knappen under arbetet för att temporärt öka lufthastigheten till högsta nivå. Lövblåsaren återgår till föregående hastighet när boost-knappen släpps upp.

Bild J, beskrivning av delar:

J-1	Hastighet/låsreglage	J-3	Avtryckare för lufthastighet
J-2	Boost-knapp		

ANVÄNDNING AV LÖVBLÅSEN

- Blås runt ytterkanterna av en skräphög för att undvika spridning av skräp. Blås aldrig rakt in i en skräphög

SE

- Begränsa antalet maskiner som används på en gång för att minska bullernivån.
- Kratta eller sopa arbetsområdet för att få loss skräpet före blåsning. Om arbetsområdet är dammigt, fukta ytan lätt om möjligt.
- Se upp för barn, husdjur, öppna fönster eller nytvättade bilar och blås skräp i motsatt riktning från dem på ett säkert sätt.
- Städa upp efter användning av lövblåsar eller annan utrustning! Hantera avfallet korrekt.
- Det rekommenderas inte att använda lövblåsaren i hög hastighet under en längre tid, eftersom kraftiga vibrationer och den höga ljudnivån kan vara skadligt för din hälsa.

SE

UNDERHÅLL

⚠ VARNING! Använd endast identiska reservdelar vid service. Användning av andra detaljer kan leda till risker eller skada på produkten. Alla reparationer bör utföras av en kvalificerad servicetekniker för att upprätthålla säkerhet och driftssäkerhet.

⚠ VARNING! Ta alltid ut batteripacket ur produkten före rengöring eller underhåll för att undvika svåra personskador.

ALLMÄNT UNDERHÅLL

Undvik användning av lösningsmedel vid rengöring av plastdetaljer. De flesta plastmaterialen är känsliga mot olika vanliga lösningsmedel. Använd rena trasor för att avlägsna smuts, damm, olja, smörjmedel osv.

⚠ VARNING! Se till att plastdetaljerna inte kommer i kontakt med bromsvätska, bensin, petroleumbaserade produkter, penetrerande oljor osv. Kemikalier kan skada, försvaga eller förstöra plast vilket kan leda till svåra personskador.

FÖRVARING

- Ta bort batteripacket från lövblåsaren.
- Rengör lövblåsens luftintag noga från alla främmande föremål.
- Förvara lövblåsen inomhus oåtkomligt för barn. Håll borta från korrosiva ämnen såsom trädgårdskemikalier och avisningssalter.

Miljöskydd



Elektriska enheter, batteriladdare och batterier/uppladdningsbara batterier får inte kastas med hushållsavfall!

Enligt det europeiska direktivet 2012/19/EU ska uttjänta elektriska och elektroniska enheter samlas separat och hanteras på ett miljövänligt sätt; samma gäller för defekta eller uttjänta batteripack/batterier enligt det europeiska direktivet 2006/66/EG.

Om elektriska enheter hamnar i soptippar eller avfallsdepåer kan farliga ämnen läcka ut till grundvattnet, hamna i näringskedjan och skada din hälsa och ditt välmående.

FELSÖKNING

PROBLEM	ORSAK	LÖSNING
Lövblåsaren fungerar inte.	<ul style="list-style-type: none">■ Batteripacket är inte anslutet till lövblåsen.■ Elektrisk anslutning mellan lövblåsen och batteriet saknas■ Batteripacket är urladdat.■ Batteripacket eller verktyget är för varmt.■ Hastighet/låsreglaget har inte vridits tillbaka till av-läget innan lövblåsaren startades.	<ul style="list-style-type: none">■ Sätt in batteripacket i lövblåsen.■ Ta ut batteriet, kontrollera kontakterna och sätt i batteripacket igen.■ Ladda batteripacket.■ Låt batteripacket och lövblåsen svalna ned tills temperaturen är under 67°C.■ Tryck in avtryckaren för lufthastighet för att inaktivera skyddet och starta lövblåsaren genom att först vrida hastighet/låsreglaget till av-läget.
Blåshastigheten minskar betydligt.	<ul style="list-style-type: none">■ Motorfläkten är nött.■ Luftintaget är tilltäppt av skräp.	<ul style="list-style-type: none">■ Kontakta EGO:s servicecenter för reparation.■ Ta ut batteripacket, avlägsna tilltappningen.

SE

GARANTI

GARANTIVILLKOREN AV EGO

Var god besök webbplatsen egopowerplus.com för att se de fullständiga garantivillkoren av EGO.

LUE KAIKKI OHJEET!



Läs Igenom Bruksanvisningen

HUOMAA: Nämä ohjeet ovat saatavilla myös vaihtoehtoisessa formaatissa, esim. verkkosivustolla.

⚠️ A VAARA! Henkilöiden, joilla on elektroniikkalaitteita, kuten sydämentahdistimia, tulee neuvotella lääkärin kanssa ennen tuotteen käyttöä. Sähkölaitteiden käyttö sydämentahdistimen läheisyydessä voi aiheuttaa tahdistimeen häiriöitä tai vikoja

⚠️ VAROITUS: Valtuutetun huoltoteknikon tulee suorittaa kaikki korjaukset ja osien vaihdot, jotta voidaan taata tuotteen turvallinen ja luotettava käyttö.

FI

TURVALLISUUSYMBOLIT

Turvamerkkien tavoitteena on kiinnittää huomio mahdollisiin vaaroihin. Sinun tulee lukea huolellisesti käyttöohjeet ja ymmärtää turvamerkit ja niiden selitteet. Turvamerkit eivät itsessään poista vaaraa. Niiden antamat ohjeet ja varoitukset eivät korvaa asianmukaisia tapaturman torjuntatoimenpiteitä.

⚠️ VAROITUS: Varmista, että luet ja ymmärrät kaikki tämän käyttäjän käsikirjan turvallisuusohjeet, mukaan lukien kaikki vaaramerkit, kuten **“VAARA”**, **“VAROITUS”** ja **“HUOMIO”**, ennen kuin käytät työkalua. Alla mainittujen ohjeiden noudattamatta jättäminen voi aiheuttaa sähköiskun, tulipalon ja/tai vakavan henkilövahingon.

VAURIOIDEN EHKÄISY JA TIETOILMOITUKSET

Ilmoitukset antavat käyttäjälle tärkeitä tietoja ja/tai ohjeita, joista voi aiheutua laite- tai muita omaisuusvahinkoja, jos niitä ei noudateta. Kutakin ilmoitusta edeltää sana **“HUOMAUTUS”**, kuten alla olevassa esimerkissä:

HUOMAUTUS: Laite- ja/tai omaisuusvahinko voi olla seurauksena, jos näitä ohjeita ei noudateta.



⚠️ VAROITUS: Vierasesineitä voi sähkötyökalujen käytön seurauksena lentää silmiin, ja ne voivat aiheuttaa vakavan silmävamman. Käytä aina suojalaseja tai turvalaseja sivusuojilla ja tarvittaessa kokokasvosuojusta ennen sähkötyökalun käytön aloittamista. Suosittelemme laajan näkökentän kasvosuojusta silmälasien päälle tai vakioturvalaseja sivusuojilla.

TURVALLISUUSOHJEET

Tällä sivulla esitetään ja kuvataan tähän tuotteeseen mahdollisesti liittyvät turvamerkit. Lue kaikki koneen ohjeet siten, että ymmärrät ne, ja noudata niitä ennen kuin kasaat koneen ja käytät sitä.

	Turvallisuushälytys	Varoimet, jotka liittyvät turvallisuuteesi.
	Käytä suojalaseja	Turvallisuuteen liittyvät varoimenpiteet. Käytä aina suojalaseja tai turvalaseja sivusuojilla ja kokokasvosuojusta, kun käytät tätä tuotetta.
	Käytä kuulosuojaimia	Käytä kuulosuojaimia aina, kun käytät tätä tuotetta.
	Lue käyttäjän käsikirja	Käyttäjän tulee ennen käytön aloittamista lukea käyttöopas loukkaantumisen riskin pienentämiseksi.
	Pidä sivulliset loitolla	Pidä kaikki sivulliset vähintään 15m päässä.
V	Voltia	Jännite
A	Ampeeria	Virta
Hz	Hertsiä	Taajuus (sykliä sekunnissa)
W	Watti	Teho
min	Minuuttia	Aika
m ³ /h	kuutiometriä tunnissa	Ilman aerostaattinen tilavuus
km/h	kilometriä tunnissa	Ilman virtausnopeus
	Vaihtovirta	Virran tyyppi
	Tasavirta	Virran tyyppi tai virtajännite-ominaiskäyrä
n ₀	Tyhjäkäyntinopeus	Pyörimisnopeus, kuormittamattomana
... /min	Pyörintänopeus	Kierrosta minuutissa

Kun käytät sähkölaitetta, tietyt varoimenpiteitä tulee aina noudattaa, joista seuraavassa mainitaan muutamia:

SÄHKÖTYÖKALUN YLEISIÄ TURVALLISUUSVAROITUKSIA

VAROITUS: LUE KAIKKI TÄMÄN SÄHKÖTYÖKALUN MUKANA TULLEET TURVALLISUUSVAROITUKSET, OHJEET, PIIRUSTUKSET JA TEKNISET TIEDOT. Jos kaikkia alla olevia ohjeita ei noudateta, seurauksena saattaa olla sähköisku, tulipalo ja/tai vakava loukkaantuminen.

SÄILYTÄ KAIKKI VAROITUKSET JA OHJEET HUOLELLISESTI.

Käsitteellä "sähkötyökalu" tarkoitetaan varoituksissa verkkokäyttöistä (johdolla varustettua) tai akkukäyttöistä (johdotonta) sähkötyökalua.

TYÖALUEEN TURVALLISUUS

- **Pidä työalue puhtaana ja hyvin valaistuna.** Epäjärjestyksessä olevilla tai hämärillä alueilla sattuu helpommin tapaturmia.
- Älä käytä sähkötyökaluja räjähdysvaarallisissa ympäristöissä, kuten syttyvien nesteiden, bensiinin tai pölyn läheisyydessä. **Sähkötyökalujen käytöstä syntyy kipinöitä, jotka voivat sytyttää pölyn tai höyryt palamaan.**
- **Pidä lapset ja sivulliset loitolla, kun käytät sähkötyökalua.** Häiriötekijät voivat aiheuttaa työkalun hallinnan menettämisen.

SÄHKÖTURVALLISUUS

- **Sähkötyökalun pistokkeiden täytyy sopia pistorasiaan. Älä koskaan muuntele pistoketta millään tavalla. Älä käytä sovittipistokkeita maadoitettujen sähkötyökalujen kanssa.** Muuntelemattomat pistokkeet ja yhteensopivat pistorasiat pienentävät sähköiskun riskiä.
- **Vältä koskettamasta maadoitettuja pintoja, kuten putkia, lämpöpattereita, liesiä ja jääkaappeja.** Maadoitettuihin pintoihin koskettaminen lisää sähköiskun riskiä.
- **Älä altista sähkötyökaluja sateelle tai märille olosuhteille.** Sähkötyökaluun tunkeutuva vesi lisää sähköiskun vaaraa.
- **Älä turmele liitäntäjohtoa. Älä koskaan kannata tai vedä sähkötyökalua johdosta. Älä myöskään irrota sähkötyökalua pistorasiasta johdosta vetämällä. Pidä johto etäällä lämmönlähteistä, öljyistä, terävistä kulumista tai liikkuvista osista.** Vioittuneet tai sotkeutuneet johdot lisäävät sähköiskun riskiä.

- **Käytä ulkokäyttöön sopivaa jatkojohtoa, kun käytät sähkötyökalua ulkona.** Ulkokäyttöön sopivan johdon käyttäminen pienentää sähköiskun riskiä.
- **Jos sähkötyökalun käyttö kosteassa tilassa on välttämätöntä, käytä vikavirtakatkaisimella suojattua virtalähdettä.** Vikavirtakatkaisimen käyttö pienentää sähköiskun riskiä.

HENKILÖKOHTAINEN TURVALLISUUS

- **Pysy valppaana, keskity siihen, mitä teet ja muista terve järki, kun käytät sähkötyökalua. Älä käytä sähkötyökalua väsyneenä tai huumausaineiden, alkoholin tai lääkkeiden vaikutuksen alaisena.** Hetkellinen herpaantuminen sähkötyökalujen käytön aikana voi aiheuttaa vakavan henkilövahingon.
- **Käytä henkilönsuojaimia. Käytä aina suojalaseja.** Hengityssuojaimen, liukumattomien turvajalkineiden, suojakypärän tai kuulosuojainten kaltaisten suojavarusteiden tarkoituksenmukainen käyttö vähentää henkilövahinkoja
- **Estä tahaton käynnistyminen. Varmista, että kytkin on off-asennossa ennen kuin liität työkalun virtalähteeseen ja/tai akkuyksikköön, nostat työkalun tai kannat sitä.** Sähkötyökalujen kantaminen sormen ollessa kytkimellä tai virran kytkeminen säh kötyökaluihin, joiden kytkin on on-asennossa, altistaa tapaturmille.
- **Irrota jokoavaimet tai kiintoavaimet ennen kuin käynnistät sähkötyökalun.** Sähkötyökalun pyöriivään osaan kiinni jätetty kiinto- tai jokoavain voi aiheuttaa henkilövahingon
- **Älä kurkottele. Säilytä aina tukeva asento ja hyvä tasapaino.** Tällöin hallitset paremmin sähkötyökalun odottamattomissa tilanteissa
- **Pukeudu asianmukaisesti. Älä käytä löysiä vaatteita tai koruja. Pidä hiukset, vaatteet ja käsineet kaukana liikkuvista osista.** Löysät vaatteet, korut tai pitkät hiukset voivat tarttua liikkuviin osiin.
- **Jos laitteissa on liitännät pölynpoisto- ja -keräyslaitteille, varmista, että ne on kytketty ja että niitä käytetään oikein.** Pölynpoistolaitteiden käyttö voi vähentää pölyyn liittyviä vaaroja.
- **Älä anna tuotteen tuttuuden toistuvan käytön takia tehdä sinua liian itsevarmaksi, äläkä jätä työkalun turvallisuusohjeita noudattamatta.** Huolimaton toiminta voi aiheuttaa vakavan henkilövahingon sekunnin murto-osassa.

FI

SÄHKÖTYÖKALUJEN KÄYTTÖ JA YLLÄPITO

- **Älä ylikuormita sähkötyökäluä.** Käytä käyttötarkeitukseen sopivaa sähkötyökäluä. Oikealla sähkötyökälualla teet työn paremmin ja turvallisemmin sillä nopeudella, jolle se on suunniteltu.
- **Älä käytä sähkötyökäluä, jos sitä ei voi käynnistää ja sammuttaa kytkimestä.** Kaikki sähkötyökäluä, joita ei voi hallita kytkimellä, ovat vaarallisia ja ne täytyy korjata.c
- **Irrota pistoke virtalähteestä ja/tai akkuyksikkö sähkötyökäluästä ennen säätöjen tekemistä, lisävarusteiden vaihtamista tai sähkötyökälujen varastointia.** Kyseiset ehkäisevät varoitoimenpiteet pienentävät riskiä sähkötyökäluän käynnistymisestä vahingossa.
- **Säilytä toimitettomia sähkötyökäluja lasten ulottumattomissa äläkä anna sähkötyökäluun ja näihin ohjeisiin perehtymättömien henkilöiden käyttää sähkötyökäluä.** Sähkötyökäluä ovat vaarallisia tottumattomien käyttäjien käsissä.
- **Huolla sähkötyökäluja.** Tarkasta seuraavat tekijät: liikkuvia osia ei ole kohdistettu väärin, niissä ei esiinny takertelua, osissa ei näy vaurioita eikä ole muita tekijöitä, jotka voivat vaikuttaa sähkötyökälujen toimintaan. Jos sähkötyökälu on vaurioitunut, korjauta se ennen käyttöä. Monet tapaturmat johtuvat huonosti huolletuista sähkötyökäluista.
- **Pidä leikkuutyökäluä terävinä ja puhtaina.** Asianmukaisesti huollatut leikkuutyökäluä terävillä leikkusärmillä eivät kovin helposti takertele ja niitä on helpompi hallita.
- **Käytä mm. sähkötyökäluä, lisävarusteita ja työkalun vaihtoteriä näiden ohjeiden mukaisesti huomioiden myös työolosuhteet ja suoritettava työ.** Sähkötyökäluän käyttö muuhun kuin suunniteltuun käyttötarkeitukseen voi aiheuttaa vaarallisen tilanteen
- **Pidä kahvat ja tartuntapinnat kuivina, puhtaina, öljyttöminä ja rasvattomina.** Liukkaat kahvat ja tartuntapinnat eivät mahdollista työkalun turvallista käsittelyä ja hallintaa odottamattomissa tilanteissa.

AKKUTYÖKALUN KÄYTTÖ JA YLLÄPITO

- **Lataa uudelleen vain valmistajan määrittämällä latauslaitteella.** Latauslaite, joka sopii yhdelle akkuyksikkötyypille, voi toisen akkuyksikön kanssa käytettynä aiheuttaa tulipaloriskin.
- **Käytä sähkötyökäluja ainoastaan erityisesti niitä varten tarkoitettujen akkuyksiköiden kanssa.** Kaikkien muiden akkuyksiköiden käyttö voi aiheuttaa loukkaantumis- ja tulipaloriskin.
- **Kun akkuyksikköä ei käytetä, pidä se kaukana metalliesineistä, kuten paperiliittimistä, kolikoista,**

avaimista, nauloista, ruuveista tai muista pienistä metalliesineistä, jotka voivat muodostaa yhteyden napojen välille. Akun napojen yhdistäminen voi aiheuttaa palovammoja tai tulipalon.

- **Nestettä voi vuotaa akusta, jos siihen kohdistuu iskuja; vältä tällöin kontaktia.** Jos kontakti vahingossa tapahtuu, huuhtelee vedellä. Jos nestettä pääsee silmiin, hakeudu myös lääkärin hoitoon. Akkuneuste voi aiheuttaa ärsytystä tai palovammoja
- **Älä käytä akkuä tai työkaluä, joka on vaurioitunut tai jota on muutettu.** Vaurioituneet tai muutetut akut voivat käyttäytyä arvaamattomasti ja aiheuttaa tulipalon, räjähdysken tai henkilövahingon vaaran.
- **Älä altista akkuä tai työkaluä tulelle tai äärimmäisille lämpötiloille.** Altistaminen yli 130 °C:n lämpötilalle voi aiheuttaa räjähdysken.
- **Noudata kaikkia latausohjeita.** Älä lataa akkuä tai työkaluä lämpötilassa, joka ole ohjeissa ilmoitetun lämpötila-alueen sisällä. Virheellinen lataaminen tai lataaminen ilmoitetun lämpötila-alueen ulkopuolella olevassa lämpötilassa voi vaurioittaa akkuä ja lisätä palovaaraa.

HUOLTO

- **Huollata sähkötyökäluä asiantuntevalla korjaajalla, joka käyttää vain identtisiä varaosia.** Näin taataan sähkötyökäluän turvallisuuden säilyminen.
- **Älä koskaan huolla vaurioituneita akkuja.** Akkujen huollon saa tehdä vain valmistaja tai sen valtuuttamat huoltoilikkeet.

LUE KAIKKI OHJEET ENNEN TÄMÄN TUOTTEEN KÄYTTÖÄ!

OPETTELU

- **Älä anna lasten tai henkilöiden, joilla on alentunut fyysinen, aistillinen tai henkinen toimintakyky tai joilta puuttuu kokemusta ja tietoa tai jotka eivät tunne näitä ohjeita, käyttää laitetta.**
- **Käyttäjä on vastuussa onnettomuuksista tai vaaratilanteista, jotka tapahtuvat muille ihmisille tai heidän omaisuudelleen.**

VALMISTELU

- **Sähkötyökäluä voi käyttää sateessa tai kosteissa olosuhteissa. Kuivaa sähkötyökäluä työn lopettamisen jälkeen.**
- **Tarkista paristot tai akku vaurioiden varalta ennen käyttöä.** Älä käytä laitetta, jos paristot tai akku ovat vahingoittuneet.

TOIMINTA

- Sähkötyökalu voi käyttää sateessa tai kosteissa olosuhteissa. Kuivaa sähkötyökalu työn lopettamisen jälkeen.
- Irrota paristot tai akku:
 1. Aina kun jätät laitteen johonkin;
 2. Ennen kuin puhdistat tukoksen;
 3. Ennen kuin tarkistat tai puhdistat laitteen tai teet sille jotain muuta;
 4. Jos laite alkaa väristä epänormaalisti.
- Varmista, että seisot tukevasti rinteissä.
- Kävele, älä juokse.
- Huolehdi, että viiennykseen käytettävien ilmanottoaukkojen edessä ei ole irtoainesta.
- Suosittelemme laitteen käyttöä vain hyväksyttävänä aikoina – aikaisin aamulla tai myöhään illalla ihmiset saattavat häiriintyä.
- Suosittelemme pintojen vähäistä kostuttamista tomuisissa ympäristöissä, tai voit käyttää sumutinisäosaa.

VAROITUS: Pyörivien osien vaara!

- Käytä täyden puhaltimen suutinjatketta, niin ilmavirtaus toimii lähellä maata.
- Älä käytä laitetta avointen ikkunoiden ym. lähellä.

YLLÄPITO JA VARASTOINTI

- Varmista, että kaikki mutterit, pultit ja ruuvit ovat tiukasti kiinni, jotta laite on turvallinen käyttöä.
- Korvaa kuluneet tai vahingoittuneet osat.
- Käytä vain virallisia varaosia ja lisävarusteita.
- Säilytä laite kuivassa paikassa.

VAROITUS: Tulipalo-, sähköisku- tai loukkaantumisvaaran vähentämiseksi:

TÄRKEÄÄ

LUE KÄYTTÖOHJEET ENNEN KÄYTTÖÄ.

SÄILYTÄ MYÖHEMPÄÄ TARVETTA VARTEN.

- Älä salli puhaltimen käyttämistä leikkikaluna. Ole tarkkaavainen, jos lapset käyttävät laitetta tai laitetta käytetään lasten lähellä.

- Jos puhallin ei toimi kuten sen pitäisi tai se on pudonnut, vahingoittunut tai pudonnut veteen, palauta se huoltoliikkeeseen.
- Älä laita esineitä mihinkään aukkoihin. Älä käytä, jos jokin aukko on tukossa; pidä aukot puhtaina tomusta, nukasta, hiuksista tai muusta, joka voi aiheuttaa ilmanvirtauksen vähenemistä.
- Ole erityisen varovainen, kun puhdistat portaita.
- Älä jätä puhallinta ilman valvontaa, jos akun pistotulppa on liitettynä. Poista akku, kun puhallinta ei käytetä ja ennen huoltoa.

- Älä käsittele laturia, mukaan lukien laturin pistotulppa, tai latausnapoja märin käsin.

- Älä lataa akkua ulkona.

VAROITUS:

- Akku tulee poistaa laitteesta ennen laitteen hävittämistä.


- Akku tulee hävittää turvallisesti.

- **ÄLÄ** yritä poistaa tukoksia laitteesta ilman, että olet ensin irrottanut akun.
- **Pidä puhallin ja sen otin kuivana, puhtaana, öljyttömänä ja rasvattomana. Käytä aina puhdasta liinaa puhdistukseen.** Älä käytä jarrunesteitä, bensiiniä, öljypohjaisia tuotteita tai voimakkaita liuottimia puhaltimen puhdistamisessa. Tämän säännön noudattaminen vähentää hallinnan menetystä ja kuorten muovin rapistumista.
- **Akut saattavat räjähtää, jos läsnä on sytytyslähde, kuten sytytysliekki.** Vakavan henkilövamman välttämiseksi langattomia ei tule käyttää avotulen lähellä. Räjähtänyt akku saattaa singota irto-osia ja kemikaaleja ympärilleen. Altistumisen tapahtuessa huuhtelee välittömästi vedellä.
- **Älä käytä laitetta ilman, että siihen on kiinnitetty oikeat varusteet. Varmista aina, että puhaltimen putki on asennettu.**
- **Älä ikinä käytä puhallinta lähellä tulta tai kuumaa tuhkaa.** Käyttö tulen tai tuhkan saattaa levittää tulipaloja ja aiheuttaa vakavia vammoja ja/tai omaisuusvahinkoja.
- **Älä käytä puhallinta kemikaalien, lannoitteiden tai muiden myrkyllisten aineiden levitykseen.** Näiden aineiden levitys saattaa aiheuttaa vakavia vammoja käyttäjälle tai sivullisille.

- Säilytä nämä ohjeet. Lue ohjeet säännöllisesti ja käytä niitä muiden työkalujen käyttäjien ohjeistamisessa. Jos lainaat tämän laitteen jollekulle muulle, lainaa samalla myös nämä ohjeet laitteen väärinkäytön tai mahdollisen vammam estämiseksi.

SÄILYTÄ NÄMÄ OHJEET!

MÄÄRITYKSET

Jännite	56V 
Suurin ilmatilavuus suuttimessa	986 m ³ /h
Suositteltu käyttölämpötila	-15°C-40°C
Suositteltu säilytyslämpötila	-20°C-70°C
Ilman virtausnopeuden maksimitason	65m/s (ilman pyöreää suutinta)
	75m/s (Pyörealla suuttimella)
Käyttöaika likimäärin (EGO 5,0 Ah -akulla)	18 min (tehostustila)
	30 min (suuri nopeus)
	200 min (pieni nopeus)
Suurin puhallusteho	18N
Puhaltimen paino (ilman akkua)	2,18 kg
Mitattu äänen tehotaso L _{WA}	94,73 dB(A) K=2,83 dB(A)
Äänenpaineen taso käyttäjän korvien tasolla L _{PA}	78,4 dB(A) K=2,5 dB(A)
Taattu äänen tehotaso L _{WA} (mitattu 2000/14/EC:n mukaisesti)	98 dB(A)
Väriin a _h	0,505 m/s ² K=1,5 m/s ²

- Ilmoitettu värinän kokonaisarvo on mitattu standardikoemenetelmän mukaan ja sitä voidaan käyttää verrattaessa työkaluja keskenään.
- Ilmoitettua värinän kokonaisarvoa voidaan myös käyttää altistumisen ennakoarvioinnissa.

HUOMAUTUS: Sähkötyökalun todellisen käytön aikana ilmenevä värinä voi erota työkalun käytölle ilmoitetusta arvosta. Käyttäjän suojelemiseksi on todellisissa käyttöolosuhteissa käytettävä käsineitä ja kuulosuojaimia.

PAKKAUSLUETTELO

OSAN NIMI	MÄÄRÄ
Puhallin	1
Puhaltimen putki	1
Suutinosa	2
Käyttäjän käsikirja	1

KUVAUS

TUNNE PUHALTIMESI (kuva A)

1. Litteä suutin
2. Pyöreä suutin
3. Puhaltimen putki
4. Putken vapautuspainike
5. Pohjaosa
6. Ilman tulo
7. Akun irrotus
8. Sähköliitännät
9. Lukko
10. Akun vapautuspainike
11. Ilmanopeuden liipaisin
12. Tehostuspainike
13. Nopeus/lukitusvalitsin

VAROITUS: Tuotteen turvallinen käyttö edellyttää työkalussa mainittujen ja tämän käyttöohjeen tietojen ymmärtämistä ja sen työn tuntemista, johon tuotetta käytetään. Pehdy ennen tuotteen käyttöä kaikkiin toimintoihin ja turvamääräyksiin.

KOKOAMINEN

VAROITUS: Jos jokin osa on vahingoittunut tai puuttuu, älä käytä tuotetta ennen kuin osat on vaihdettu. Tuotteen käyttö silloin, kun siinä on vahingoittuneita tai puuttuvia osia, saattaa aiheuttaa vakavan henkilövamman.

VAROITUS: Käytä aina suojalaseja sivusuojilla sekä kuulosuojaimia. Muussa tapauksessa silmiin voi lentää roskia ja muita mahdollisia vakavia vahinkoja tapahtua.

VAROITUS: Poista akku aina työkalusta ennen osien estääksesi tahattomat käynnistymiset, jotka voivat aiheuttaa vakavan henkilövahingon.

KÄYTTÖTARKOITUS

Voit käyttää tätä tuotetta alla mainittuihin käyttötarkoituksiin:

- Koviin pintojen, kuten ajoteiden ja kävelyteiden, siistiminen
- Terrassien ja ajoteiden pitäminen puhtaina lehdistä ja männynneulasista.

HUOMAA: Laitetta tulee käyttää vain sille tarkoitettuun tarkoitukseen. Muunlainen käyttö lasketaan vääriinkäytöksi.

PUHALTIMEN PUTKEN KOKOAMINEN/POISTAMINEN

- **Kokoaminen (kuva B&C)**
Aseta ura oikeaan kohtaan ja työnnä putkea puhaltimen kuoreen, kunnes kuulet naksahduksen.
- **Poistaminen (kuva D)**
Paina putken vapautuspainiketta ja vedä putki ulos.

PUHALTIMEN PYÖREÄN/LITTEÄN SUUTTIMEN ASENTAMINEN/IRROTTAMINEN

- **Kiinnittäminen (kuva E&F)**
Kohdista levitinsuuttimen ura putken nuppiin ja työnnä suutinta putken päälle, kunnes se napsahtaa paikoilleen.
- **Irrottaminen (kuva G)**
Paina ja pidä suuttimen vapautuspainiketta salvan avaamiseksi, vedä sitten suutin suoraan irti puhaltimesta.

HUOMAUTUS: Käytä samaa järjestystä litteän suuttimen asentamisessa/irrottamisessa.

AKUN ASENNUS/POISTAMINEN

Lataa ennen ensimmäistä käyttökertaa.

Käytä vain kuvassa A lueteltujen akkujen ja latureiden kanssa.

- **Asennus (kuva H)**
Aseta akun urat kiinnitysaukoihin ja paina akkua alaspäin, kunnes kuulet naksahduksen.
- **Poistaminen (kuva I)**
Paina akun vapautuspainiketta ja vedä akku ulos.

VAROITUS: Huomioi aina, missä omat jalkasi, lapset tai lemmikit ovat, kun painat akun vapautuspainiketta. Jos akku putoaa, se voi aiheuttaa vakavan vamman. Älä IKINÄ poista akkua, jos se on korkealla.

Kuvan H osien kuvaukset alla:

H-1	Akun vapautuspainike	H-3	Kiinnitysaukko
H-2	Akun ulokkeet		

PUHALTIMEN KÄYNNISTYS/SAMMUTUS (kuva J)

- **Vain ilmannopeuden liipaisin**
 1. Kytke puhallin päälle painamalla ilmannopeuden liipaisinta.
 2. Puhaltimen ilmannopeutta ohjataan nopeutta sääätävällä liipaisimella. Jos painat liipaisinta enemmän, puhallusnopeus on nopeampi. Jos painat liipaisinta kevyemmin, puhallusnopeus on hitaampi. Säädä nopeus tehtävän työn mukaan.
 3. Kytke puhallin pois päältä vapauttamalla ilmannopeuden liipaisin.

- **Nopeus/lukitusvalitsin vain**

Puhallin voidaan kytkeä päälle ja lukita mihin tahansa nopeuteen käyttämällä nopeus/lukitusvalitsinta.

1. Käynnistä puhallin kääntämällä nopeus/lukitusvalitsinta myötäpäivään. Ilmannopeus nousee, kun valitsinta käännetään myötäpäivään.
2. Voit laskea ilmannopeutta kääntämällä nopeus/lukitusvalitsinta vastapäivään.
3. Jatka nopeus/lukitusvalitsimen kääntämistä vastapäivään off-asentoon asti, jolloin puhallin kytkeytyy pois päältä.

HUOMAUTUS: Jos nopeus/lukitusvalitsinta ei käännetä takaisin off-asentoon ennen puhaltimen päälle kytkemistä, puhallin ei käynnisty nopeus/lukitusvalitsimella, kun ladattu akku yhdistetään. Tämä on suojaustoimenpide, joka estää tahattoman käynnistymisen. Ilmannopeuden liipaisimen painaminen voi poistaa suojan käytöstä.

Painamalla tehostuspainiketta työskentelyn aikana nostat ilmannopeuden maksimi tasolle. Puhallin palaa edelliseen nopeuteen, kun tehostuspainike vapautetaan.

Kuvan J osien kuvaukset alla:

J-1	Nopeus/lukitusvalitsin	J-3	Ilmannopeuden liipaisin
J-2	Tehostuspainike		

PUHALTIMEN KÄYTTÖ

- Jotta et sirottele lehtiä ja muita roskia ympäriinsä, puhalla lehtikasan ulkoreunan ympäriiltä. Älä koskaan puhalla suoraan kasan keskiosaan.
- Pienennä melutasoja rajoittamalla samaan aikaan käytettävien varusteiden määrää.
- Käytä haravia ja harjoja lehtien ja muiden roskien irrottamiseen ennen puhallusta. Kostuta pölyisissä olosuhteissa hieman pintoja, kun vettä on käytettävissä.

- Varo lapsia, lemmikkieläimiä, avoimia ikkunoita tai äskettäin pestyjä autoja ja puhalla lehdet ja muut roskat turvallisesti pois.
- Siivoa puhaltimien tai muiden välineiden käytön jälkeen! Hävitä lehdet ja muut roskat asianmukaisesti.
- Emme suosittele puhaltimen käyttöä nopealla nopeudella pitkiä aikoja, koska tärinä ja melu voivat olla haitallisia terveydellesi.

HUOLTO

VAROITUS: Käytä huollon yhteydessä vain valmistajan hyväksymiä varaosia. Muiden osien käyttö voi aiheuttaa vaaran tai vahingoittaa tuotetta. Valtuutetun huoltoteknikon tulee suorittaa kaikki korjaukset, jotta voidaan taata tuotteen turvallinen ja luotettava käyttö.

VAROITUS: Irrota vakavien henkilövahinkojen välttämiseksi akkuyksikkö aina tuotteesta, kun puhdistat sitä tai suoritat siihen jonkin huoltotoimenpiteen.

PERUSHUOLTO

Vältä liuottimien käyttöä, kun puhdistat muoviosia. Useimmat muoviosat ovat herkkiä erilaisten kaupallisten liuottimien vaikutukselle, ja niiden käyttö voi aiheuttaa muoviosiin vaurioita. Käytä puhtaita liinoja esim. lian, pölyn, öljyn ja rasvan poistamiseen.

VAROITUS: Älä milloinkaan päästä esim. jarrunesteitä, bensiiniä, petrolipohjaisia tuotteita tai ruosteenirrotusöljyjä kosketuksiin muoviosien kanssa. Kemikaalit voivat vahingoittaa, heikentää tai tuhota muovia, mistä voi olla seurauksena vakava henkilövahinko.

VARASTOINTI

- Irrota akku puhaltimesta.
- Puhdista kaikki epäpuhtaudet puhaltimen ilmanottoaukoista.
- Säilytä sisätiloissa paikassa, johon lapset eivät pääse. Pidä syövyttävien aineiden, kuten puutarhakemikaalien ja tiesuolan, ulottumattomissa.

Ympäristönsuojelu



Älä hävitä sähkölaitteita, akun latauslaitteita ja akkuja/ladattavia akkuja kotitalousjätteen mukana!

Euroopan parlamentin ja neuvoston direktiivin 2012/19/EU mukaan sähkö- ja elektroniikkalaitteet, jotka eivät ole enää käyttökelpoisia, ja Euroopan parlamentin ja neuvoston direktiivin 2006/66/EY mukaan vialliset tai käytetyt akkuyksiköt/ akut täytyy kerätä erikseen ja hävittää ympäristöystävällisellä tavalla.

Jos sähkölaitteet hävitetään viemällä kaatopaikoille tai roskaläjiin, vaarallisia aineita voi vuotaa pohjaveteen ja päästä ravintoketjuun ja vahingoittaa täten ihmisten terveyttä ja hyvinvointia.

VIANETSINTÄ

ONGELMA	SYY	RATKAISU
Puhallin ei toimi.	<ul style="list-style-type: none"> ■ Akkuyksikköä ei ole asetettu puhaltimeen. ■ Ei sähkökontakteja puhaltimen ja akun välillä Akkuyksikkö on tyhjä. ■ Akkuyksikkö tai puhallin on liian kuuma. ■ Kytintä käytetään liian usein lyhyessä ajassa. PCB-suojaus. ■ Nopeus/lukitusvalitsin ei käänny takaisin off-asentoon ennen kuin puhallin käynnistetään. 	<ul style="list-style-type: none"> ■ Aseta akkuyksikkö puhaltimeen ■ Irrota akku, tarkasta koskettimet ja asenna akkuyksikkö takaisin. ■ Lataa akkuyksikkö. ■ Jäähdytä akkuyksikköä ja puhallinta, kunnes lämpötila laskee alle 67 °C:een. ■ Poista suojaus painamalla ilmannopeuden liipaisinta ja käynnistämällä puhallin tai kääntämällä ensin nopeus/lukitusvalitsin off-asentoon.
Ilman virtausnopeus pienenee selkeästi.	<ul style="list-style-type: none"> ■ Moottorin tuuletin kuluu liikaa. ■ Lehdet ja muut roskat tukkivat ilmanottoaukon. 	<ul style="list-style-type: none"> ■ Ota yhteyttä EGO- huoltopisteeseen korjausta varten ■ Irrota akkuyksikkö, puhdista lehdet ja muut roskat.

FI

TAKUU

EGO-TAKUUKÄYTTÄNTÖ

Katso verkkosivuilta osoitteesta egopowerplus.com EGO-takuukäytännön ehdot ja edellytykset kokonaisuudessaan.

LES ALLE INSTRUKSJONER!



LES BRUKERMANUALEN.

MERK: Disse instruksjonene skal også være tilgjengelige i et alternativt format, for eksempel på en nettside.

⚠ Restrisiko! Personer med elektroniske enheter, for eksempel pacemakere, må rådføre seg med lege før de bruker dette produktet. Drift av elektrisk utstyr i umiddelbar nærhet av en pacemaker kan føre til at pacemakeren forstyrres eller svikter.

⚠ ADVARSEL: For sikre både sikkerheten og påliteligheten, skal alle reparasjoner utføres av en kvalifisert servicetekniker.

NO

SIKKERHETSSYMBOLER

Formålet med sikkerhetssymbolene er å trekke oppmerksomheten din mot mulige faresituasjoner. Sikkerhetssymbolene og forklaringene krever din fulle oppmerksomhet og forståelse. Symbolvarslene eliminerer ikke farer på egen hånd. Instruksjonene og advarslene som finnes i dem er ikke erstatninger for passende ulykkesforebyggende tiltak.

⚠ ADVARSEL: Sørg for å lese og forstå alle sikkerhetsanvisningene i denne bruksanvisningen, inkludert alle sikkerhetsvarselssymboler så som «**FARE**», «**ADVARSEL**» og «**FORSIKTIG**» før du bruker dette verktøyet. Hvis du ikke følger alle instruksjonene nedenfor, kan det føre til elektriske støt, brann og/eller alvorlig personskade.

SKADEFOREBYGGING OG INFORMASJONSMELDINGER

Disse forteller brukeren om viktig informasjon og/eller instruksjoner som kan føre til at utstyr tar skade, eller andre materielle skader hvis de ikke følges. Hver melding har ordet «**MELDING**» i forkant, som i eksempelet nedenfor:

MERK: Utstyr og/eller materielle skader kan oppstå hvis disse instruksjonene ikke følges.



⚠ ADVARSEL: Bruk av hvilke som helst elektroverktøy kan føre til at fremmedlegemer blir kastet mot øynene, og dette kan føre til alvorlig øyeskader. Før du begynner å bruke elektroverktøyet, skal du alltid bruke vernebriller eller vernebriller med sidebeskyttelse, og en full ansiktsskjerm der det trengs. Vi anbefaler en sikkerhetsmaske med bred synsfelt til bruk over briller, eller standard vernebriller med sidebeskyttelse.

SIKKERHETSINSTRUKSJONER

Denne siden viser og beskriver sikkerhetssymboler som finnes på produktet. Les, forstå og følg alle instruksjoner på maskinen før begynner montering og bruk.

	Sikkerhetsvarsel	Forsiktighetsregler som har med sikkerheten din å gjøre.
	Bruk vernebriller	Bruk alltid vernebriller eller vernebriller med sidebeskyttelse, og full ansiktsskjerm når du bruker dette produktet.
	Bruk hørselvern	Hørselvern er påbudt når produktet brukes.
	Les brukermanualen.	For å redusere risikoen for skader må brukeren lese bruksanvisningen før produktet tas i bruk.
	Hold tilskuere borte.	Hold alle tilskuere minst 15m unna.
V	Volt	Spenning
A	Ampere	Strøm
Hz	Hertz	Frekvens (sykluser per sekund)
W	Watt	Effekt
min	Minutter	Klokkeslett
m ³ /h	Kubikkmeter i timen	Luftvolum

km/h	Kilometer i timen	Lufthastighet
	Vekselstrøm	Typen spenning
	Likestrøm	Type eller karakteristikk for spenningen
n_0	Hastighet uten last	Rotasjonshastighet, uten last
... /min	Pr. minutt	Omdreining pr. minutt

Når du bruker elektriske apparater, skal du alltid følge grunnleggende sikkerhetsregler, inkludert følgende:

GENERELLE SIKKERHETSADVARSLER FOR ELEKTROVERKTØY

⚠ ADVARSEL: GJØR DEG KJENT MED ALLE SIKKERHETSADVARSLERNE, INSTRUKSJONENE, ILLUSTRASJONENE OG SPESIFIKASJONENE SOM FØLGER MED DETTE ELEKTROVERKTØYET. Manglende etterlevelse av alle instruksjonene under kan resultere i elektrisk støt, brann og/eller alvorlig skade **TA VARE PÅ ALLE ADVARSLER OG INSTRUKSJONER FOR FREMTIDIG BRUK.**

Betegnelsen "elektroverktøy" i advarslene refererer til hovednettdrevne (med ledning) elektroverktøy eller batteridrevne (trådløs) elektroverktøy.

SIKKERHET I ARBEIDSMRÅDET

- **Hold arbeidsområdet rent og godt opplyst.** Rotete eller mørke områder inviterer til ulykker.
- **Ikke bruk maskinen i eksplosjonsfarlige atmosfærer, for eksempel der det finnes brennbare væsker, bensin eller støv i nærheten.** Elektroverktøy lager gnister som kan antenne støv eller damper.
- **Hold barn og andre personer unna når elektroverktøyet er i bruk.** Distraksjoner kan føre til at du mister kontrollen.

ELEKTRISK SIKKERHET

- **Støpset til verktøyet må passe inn i stikkkontakten. Støpset må ikke forandres på noen måte. Ikke bruk adapterstøpsler sammen med jordede elektroverktøy.** Umodifiserte støpsler og passende stikkontakter reduserer risikoen for elektrisk støt.
- **Unngå kroppskontakt med jordete overflater så som rør, radiatorer, komfyrer og kjøleskap.** Det er økt risiko for elektrisk støt hvis kroppen din er jordet.

- **Ikke utsett elektroverktøy for regn eller våte forhold.** Kommer det vann inn i et elektroverktøy, øker risikoen for elektriske støt.
- **Ikke misbruk ledningen. Bruk aldri ledningen til å bære, trekke eller trekke ut elektroverktøyet. Hold ledningen unna varme, olje, skarpe kanter eller bevegelige deler.** Skadede eller sammenviklede ledninger øker risikoen for elektriske støt.
- **Når du bruker et elektroverktøy utendørs, må du bruke skjøteledning som er godkjent for utendørs bruk.** Bruk av en ledning som er egnet for utendørs bruk, reduserer risikoen for elektriske støt.
- **Hvis du er nødt til å bruke et elektroverktøy i fuktige omgivelser, skal du bruke en jordfeilbryter-beskyttet strømforsyning.** Bruk av GFCI reduserer risikoen for elektrisk støt.

PERSONLIG SIKKERHET

- **Vær oppmerksom, pass på hva du gjør og bruk sunn fornuft når du bruker elektroverktøy. Ikke bruk elektroverktøy når du er trøtt eller er påvirket av narkotika, alkohol eller medikamenter.** Et øyeblikks uoppmerksomhet ved bruk av elektroverktøy kan føre til alvorlige personskader.
- **Bruk personlig verneutstyr. Bruk alltid vernebriller.** Verneutstyr som støvmasker, sklisikre vernesko, hjelm eller hørselsvern i egnede forhold reduserer risikoen for personskader.
- **Unngå utilsiktet start. Pass på at bryteren er i av-stilling før du kobler til strømkilden og/eller batteripakken, plukker opp eller bærer verktøyet.** Å bære elektroverktøy med fingeren på bryteren eller å slå på verktøy som har bryteren på er å invitere til ulykker.
- **Fjern eventuelle justeringsnøkler før du slår på elektroverktøyet.** Et verktøy eller en nøkkel som sitter igjen i en roterende del av elektroverktøyet kan føre til personskade.
- **Ikke strekk deg over. Pass på å ha skikkelig fotfeste og balanse til enhver tid.** Dette muliggjør bedre kontroll over elektroverktøyet i uventede situasjoner.
- **Kle deg riktig. Ikke bruk løstsittende klær eller smykker. Hold hår, klær og hanser unna bevegelige deler.** Løse klær, smykker eller langt hår kan sette seg fast i bevegelige deler.
- **Hvis det følger med utstyr for tilkoping av støvavsug og oppsamlingsutstyr, skal disse koples til og brukes riktig.** Bruk av støvneheter kan redusere støvrelaterte farer.

NO

- **Selv om du har opparbeidet deg erfaring gjennom hyppig bruk av verktøyet må du alltid være årvåken og følge sikkerhetsinstruksjonene.** En uforsiktig handling kan forårsake alvorlig personskade med en brøkdél av et sekund.

BRUK AV OG OMSORG FOR ELEKTROVERKTØY

- **Ikke tving elektroverktøyet. Bruk det riktige elektroverktøyet til det du skal gjøre.** Det riktige elektroverktøyet vil gjøre jobben bedre og sikrere, i den hastigheten som det ble laget for.
- **Ikke bruk elektroverktøyet hvis bryter ikke slår det på og av.** Elektroverktøy som ikke kan kontrolleres med bryteren, er farlig og må repareres.
- **Koble støpselet fra strømkilden og/eller ta batteripakken ut av verktøyet før du foretar justeringer, skifter tilbehørsdeler eller legger bort maskinen.** Slike forebyggende sikkerhetstiltak reduserer risikoen for at verktøyet starter ved et uhell.
- **Oppbevar elektroverktøy utilgjengelig for barn, og ikke la personer som ikke er kjent med verktøyet eller disse instruksjonene betjene maskinen.** Elektroverktøy er farlige når de brukes av uerfarne personer.
- **Vedlikehold av elektroverktøy. Se etter feiljusteringer eller oppbinding av bevegelige deler, skadede deler og eventuelle andre forhold som kan påvirke elektroverktøyet funksjon. Hvis skadet, må elektroverktøyet repareres før bruk.** Mange ulykker er forårsaket av dårlig vedlikeholdte elektroverktøy.
- **Hold kutteverktøyet skarpt og rent.** Riktig vedlikehold av kutteverktøy med skarpe kanter gjør at det er mindre sannsynlighet for oppbinding, og at det er lettere å kontrollere.
- **Bruk elektroverktøy, tilbehør, verktøy, osv. i henhold til disse anvisningene, og ta hensyn til arbeidsforholdene og arbeidet som skal utføres.** Bruk av elektroverktøy til andre formål enn det som er angitt kan føre til farlige situasjoner.
- **Hold håndtakene og gripeflatene tørre, rene og fri for olje og fett.** Glatte håndtak og gripeflater vil gjøre det vanskelig å kontrollere verktøyet og håndtere det på en sikker måte i uventede situasjoner.

BRUK AV OG OMSORG FOR BATTERIVERKTØY

- **Lades bare med ladere som er spesifisert av produsenten.** En lader som passer for én type batteripakke kan skape fare for brann når den brukes med andre batteripakker.

- **Elektroverktøyet skal bare brukes med den spesifiserte batteripakken.** Bruk av andre batteripakker kan skape risiko for skader og brann.
- **Når batteriet ikke er i bruk, skal det holdes unna andre metallgjenstander så som binders, mynter, nøkler, spikere, skruer eller andre små metallgjenstander som kan lage forbindelse fra én terminal til en annen.** Kortslutning av batteripolene kan forårsake brannskader eller brann.
- **Under skadelige forhold, kan væske kastes ut fra batteriet. Unngå kontakt. Hvis kontakt oppstår ved uhell, skyl med vann. Hvis man får væske i øynene, skal det i tillegg søkes medisinsk hjelp.** Væske som blir kastet ut av batteriet kan forårsake irritasjon eller brannskade.
- **Ikke bruk en batteripakke eller et verktøy som er skadet eller tilpasset.** Skadde eller modifiserte batterier kan oppføre seg uforutsigbart og medføre brann, eksplosjon eller risiko for personskade.
- **Ikke eksponer batteripakken eller verktøyet for ild eller svært høye temperaturer.** Eksponering for ild eller temperaturer over 130 °C kan forårsake eksplosjon.
- **Følg alle ladeinstruksjonene, og ikke lad batteripakken eller verktøyet utenfor temperaturområdet som er angitt i instruksjonene.** Hvis batteriet lades på feil måte eller ved temperaturer som er utenfor det angitte området, kan batteriet bli skadet og brannrisikoen øke.

SERVICE

- **Elektroverktøyet må repareres av et kvalifisert serviceverksted som kun bruker identiske reservedeler.** Dette opprettholder sikkerheten til elektroverktøyet.
- **Batteripakker som er skadet, må aldri brukes.** Service på batteripakker må bare utføres av produsenten eller autoriserte tjenesteleverandører.

LES ALLE ANVISNINGENE FØR DU TAR APPARATET I BRUK!

OPPLÆRING

- **La aldri barn, personer med reduserte fysiske, sensoriske eller mentale evner eller mangel på erfaring og kunnskap, eller personer som ikke er kjent med disse instruksjonene, bruke elektroverktøyet.**
- **Operatøren er ansvarlig for skade som skjer på andre folk eller annens eiendom.**

NO

FORBEREDELSE

- **Elektroverktøyet kan brukes i regnvær eller fuktige omgivelser.** Tørk elektroverktøyet etter at du er ferdig med arbeidet.
- **Kontroller batteriene eller batteripakkene for skader før bruk.** Ikke bruk produktet hvis batteriene eller batteripakken er skadet.

BRUK

- **Elektroverktøyet kan brukes i regnvær eller fuktige omgivelser.** Tørk elektroverktøyet etter at du er ferdig med arbeidet.
- **Koble fra batterier eller batteripakker:**
 1. Når du forlater maskinen;
 2. Før du fjerner en blokkering;
 3. Før du sjekker, rengjør eller arbeider på produktet;
 4. Hvis apparatet begynner å vibrere unormalt.
- **Sørg alltid for å ha godt fotfeste i hellende terreng.**
- **Gå, aldri løp.**
- **Hold alle kjøleluftinntakene fri for rusk.**
- **Det anbefales at maskinen bare brukes ved tider på døgnet – ikke tidlig på morgenen eller sent på kvelden når folk kan bli forstyrret.**
- **Det anbefales at støvete overflater vætes lett, eller at vanntåketilbehøret brukes.**

⚠ ADVARSEL: Fare for roterende deler!

- **Bruke det fulle blåsemunnstykke-tilbehøret, slik at luftstrømmen kan arbeide nær bakken.**
- **Ikke bruk maskinen i nærheten av åpne vinduer, osv.**

VEDLIKEHOLD OG OPPBEVARING

- **Hold alle muttere, bolter og skruer stramme for å sikre at produktet er i sikker brukstilstand.**
- **Skift ut slitte eller ødelagte deler.**
- **Bruk bare originale reservedeler og tilbehør.**
- **Apparatet skal bare oppbevares på et tørt sted.**

⚠ ADVARSEL: For å redusere risikoen for brann, elektrisk støt eller personskade:

VIKTIG

LES NØYE FØR BRUK.

OPPBEVARES FOR SENERE REFERANSE.

- **Ikke la blåseren brukes som leketøy.** Vær ekstra oppmerksom når den brukes av eller i nærheten av barn.
- **Hvis blåseren ikke fungerer som den skal, har falt i bakken, er skadet eller har falt ned i vann, må den returneres til et servicesenter.**
- **Ikke putt gjenstander inn i noen åpninger.** Ikke bruk hvis åpninger er blokkert – hold åpninger frie for støv, lo, hår og annet som kan redusere luftstrømmen.
- **Vær ekstra forsiktig ved rengjøring på trapper.**
- **Ikke la blåseren ligge uten tilsyn mens batteristøpset er pluggert inn.** Ta ut batteriet når blåseren ikke er i bruk, og før du utfører vedlikehold.
- **Ikke ta i laderen, inkludert laderens støpsel eller tilkoblingspunkter, med våte hender.**
- **Ikke lad batteripakken utendørs.**

⚠ ADVARSEL:


- Batteripakken må fjernes fra apparatet før det kasseres.
- Batteriet skal avhendes på en sikker måte.
- **IKKE** prøv å fjerne rusk fra enheten uten først å fjerne batteriet.
- **Hold blåseren og håndtak tørre, rene og frie for olje og fett.** Bruk alltid en ren klut til rengjøringen. Bruk aldri bremsevæsker, bensin, petroleumprodukter eller sterke løsemidler for å rengjøre blåseren. Hvis man følger denne regelen, vil det redusere faren for å miste kontrollen, og nedbryting av plastdeler i huset.
- **Batterier kan eksplodere hvis de er nær tennkilder, for eksempel en pilotflamme.** For å redusere risikoen for alvorlig personskade, skal trådløse produkter ikke brukes i nærheten av åpen flamme. Et eksplodert batteri kan kaste ut rester og kjemikalier. Hvis man blir eksponert for dette, skyll straks med vann.
- **Kjør aldri enheten uten riktig utstyr.** Pass alltid på at blåserøret er installert.
- **Bruk aldri viften nær flammer eller varm aske.** Bruk i nærheten flammer eller aske kan spre branner og føre til alvorlig personskade og/eller skade på eiendom.
- **Bruk aldri blåseren for å spre kjemikalier, gjødsel eller andre giftige stoffer.** Spredning av slike stoffer kan føre til alvorlig skade på brukeren eller tilskuere.

NO

- **Ta vare på disse instruksjonene.** Slå gjerne opp i dem, og bruk dem som veiledning for andre som vil bruke verktøyet. Hvis du låner ut verktøyet til andre, må også de få tilgang til denne brukerveiledningen slik at feilbruk av produktet og eventuelle påfølgende skader kan unngås.

TA VARE PÅ DISSE INSTRUKSJONENE!

SPESIFIKASJONER

Spenning	56V 
Maks luftvolum ved munnstykke	986 m ³ /h
Anbefalt driftstemperatur	-15°C-40°C
Anbefalt oppbevaringstemperatur	-20°C-70°C
Maksimal lufthastighet	65m/s (uten rund dyse)
	75m/s (Med rundt munnstykke)
Omtrentlig driftstid (med EGO 5,0 Ah batteri)	18 min (turboinnstilling)
	30 min (høy hastighet)
	200 min (lav hastighet)
Maks blåseeffekt	18N
Løvblåserens vekt (uten batteripakke)	2,18 kg
Målt lydeffektnivå L _{WA}	94,73 dB(A) K=2,83 dB(A)
Lydtrykknivå ved brukerens øre L _{PA}	78,4 dB(A) K=2,5 dB(A)
Garantert lydeffektnivå L _{WA} (målt i henhold til 2000/14/EC)	98 dB(A)
Vibrasjon a _n	0,505 m/s ² K=1,5 m/s ²

- Den deklarte totale vibrasjonsverdien er målt i overensstemmelse med en standard testmetode, og kan brukes til å sammenligne ett verktøy med et annet;
- Den deklarte totale vibrasjonsverdien kan også brukes i en foreløpig vurdering av eksponering.

MERK: Vibrasjoner under faktisk bruk av elektroverktøyet kan variere fra den opplyste verdien der verktøyet brukes; For å beskytte brukeren, skal det brukes hansker og hørselsvern under de faktiske bruksforholdene.

PAKKELISTE

NAVN PÅ DEL	MENGDE
Blåser	1
Blåserør	1
Munnstykke	2
Bruksanvisning	1

BESKRIVELSE

KJENN LØVBLÅSEREN DIN (Fig. A)

1. Flatt munnstykke
2. Rundt munnstykke
3. Blåserør
4. Utløserknapp for rør
5. Sokkel
6. Luftinntak
7. Batteriutkast
8. Elektriske kontakter
9. Låsemekanisme
10. Utløserknapp til batteri
11. Utløser lufthastighet
12. Turboknapp
13. Hastighets-/låsehjul

⚠ ADVARSEL: Sikker bruk av dette produktet krever at man forstår informasjonen på verktøyet og i denne bruksanvisningen, samt at man har kjennskap til prosjektet du prøver deg på. Før bruk av dette produktet, må man gjøre seg kjent med alle driftsfunksjonene og sikkerhetsreglene.

MONTERING

⚠ ADVARSEL: Hvis noen av delene er skadet eller mangler, må du ikke bruke dette produktet før delene er skiftet ut. Bruk av dette produktet med deler som er skadet eller mangler, kan føre til alvorlig personskade.

⚠ ADVARSEL: Ikke forsøk å modifisere dette produktet eller lage tilbehør som ikke er anbefalt for bruk med denne blåseren. Enhver slik endring eller modifisering er misbruk, og kan føre til farlige situasjoner og mulige alvorlige personskader.

⚠ ADVARSEL: For å hindre utilsiktet oppstart som kan forårsake alvorlige personskader, må du alltid ta batteripakken ut av verktøyet når du setter sammen delene.

APPLIKASJON

Du kan bruke dette produktet til de formålene som er oppført nedenfor:

- Blåsing av harde overflater så som oppkjørsler og gangveier.
- Holde terrasser og innkjørsler frie for løv og barnåler.

MERK: Verktøyet skal bare brukes til det foreskrevne formålet sitt. All annen bruk anses å være misbruk.

MONTERING/FJERNING AV BLÅSERØR

■ Montering (Fig. B&C)

Juster sporet og skyv røret på blåserhuset til du hører et «klikk».

■ Fjerning (Fig. D)

Trykke på rørutløserknappen, og dra ut røret.

MONTERING/FJERNING AV RUNDT/FLATT MUNNSTYKKE

■ For å montere (Fig. E&F)

Innrett rillen i spredningsdysen med knotten på tuben og skyv munnstykket på røret til det klikker på plass.

■ For å fjerne (Fig. G)

Press og hold utløserknappen for å frigjøre låsen, og trekk munnstykket rett ut fra blåseren.

MERK: Følg samme fremgangsmåte for å montere eller ta av det flate munnstykket.

INSTALLERE / FJERNE BATTERIPAKKEN Lad opp før første gangs bruk.

Bruk kun med batteripakker og ladere som oppført i fig. A

■ Installering (Fig. H)

Juster batteririllene sammen med monteringssporene, og trykk batteripakken ned til du hører et «klikk».

■ Fjerning (Fig. I)

Trykk ned batteriutløserknappen, og trekk batteripakken ut.

⚠ ADVARSEL: Legg alltid merke til hvor føttene dine er, og hvor barn eller kjæledyr er når du trykker på batteriutløserknappen. Alvorlig personskaade kan oppstå hvis batteripakken faller ned. ALDRI ta ut batteriet på et høyt sted.

Se Fig. H under for beskrivelse av delene:

H-1	Utløserknapp for batteri	H-3	Festespor
H-2	Batterislisse		

START/STOPP AV BLÅSEREN (Fig. J)

■ Utløser bare for lufthastighet

1. Trykk på luftutløseren for å slå på løvblåseren.
2. Blåsehastigheten til løvblåseren kontrolleres av den regulerbare utløseren for lufthastighet. Jo mer du trykker på utløseren, desto høyere blåsehastighet får du. Mindre trykk på utløseren resulterer i lavere blåsehastighet. Reguler hastigheten så den passer for oppgaven.
3. Slipp luftutløseren for å slå av løvblåseren.

■ Hastighets-/låsehjul

Løvblåseren kan slås på og låses i alle hastigheter med hastighets-/låsehjulet.

1. Drei hastighets-/låsehjulet i retning med klokken for å starte løvblåseren. Lufthastigheten øker når hjulet dreies i retning klokken.
2. For å minke lufthastigheten dreier du hastighets-/låsehjulet i retning mot klokken.
3. Fortsett å dreie hastighets-/låsehjulet i retning mot klokken til den kommer i av-posisjon og løvblåseren stopper.

MERK: Hvis hastighets-/låsehjulet ikke dreies tilbake til av-posisjon før du skrur på løvblåseren, vil blåseren ikke starte ved hjelp av hjulet, selv når installert batteri er fulladet. Dette er en sikkerhetsmekanisme for å unngå utilsiktet oppstart. Trykk ned luftutløseren for å deaktivere sikkerhetsmekanismen.

Trykk på turboknappen under bruk for å sette blåsehastigheten midlertidig til maks nivå. Løvblåseren går tilbake til sist innstilte hastighet når du slipper opp turboknappen.

Se Fig. J under for beskrivelse av delene:

J-1	Hastighets-/låsehjul	J-3	Utløser lufthastighet
J-2	Turboknapp		

BRUK AV BLÅSEREN

- For å unngå å spre rusk utover, blåser du rundt ytterkantene av ruskhauger. Aldri blås direkte inn i midten av en haug.
- For å redusere lydnivået, må antallet utstyr som brukes til enhver tid begrenses.
- Bruk raker og feiekoster for å løse rusk før du blåser. I støvete omgivelser skal overflater fuktes lett hvis det er vann tilgjengelig.
- Se opp for barn, dyr, åpne vinduer eller nyvaskede biler, og blås rusk unna i en trygg retning.

NO

- Etter å ha brukt blåser eller annet utstyr, må du rydde opp! Avhend avfall på riktig måte.
- Det anbefales ikke å bruke løvblåseren på høy hastighet i lengre perioder om gangen, da mye vibrasjon og støy kan være helseskadelig.

VEDLIKEHOLD

⚠ ADVARSEL: Ved service skal det bare brukes originale reservedeler. Bruk av andre deler kan forårsake farer eller skader på produktet. For sikre både sikkerheten og påliteligheten, skal alle reparasjoner utføres av en kvalifisert servicetekniker.

⚠ ADVARSEL: For å unngå alvorlige personskader, skal batteripakken alltid tas ut fra produktet når du rengjør eller utfører vedlikehold.

NO

GENERELT VEDLIKEHOLD

Unngå å bruke løsemidler når plastdeler skal rengjøres. De fleste plasttyper er utsatt for skader fra ulike typer kommersielle løsemidler, og kan ta skade av bruk av slike. Bruk rene kluter for å fjerne skitt, støv, olje, fett, etc.

⚠ ADVARSEL: Ikke på noe tidspunkt skal bremsevæske, bensin, petroleum-baserte produkter, penetrerende oljer, osv. komme i kontakt med plastdeler. Kjemikalier kan skade, svekke eller ødelegge plastmaterialer, noe som kan føre til alvorlig personskade.

OPPBEVARING

- Fjern batteripakken fra blåseren.
- Fjern alle fremmedlegemer fra luftinntakene til blåseren.
- Lagres innendørs på et sted som er utilgjengelig for barn. Holdes vekk fra etsende midler, for eksempel hagekjemikalier og avisingsalter.

Beskytt miljøet



Elektrisk utstyr, batterilader og batterier/ oppladbare batterier skal ikke kastes i husholdningsavfall.

Ifølge EU-forskrift 2012/19/EU, skal elektrisk og elektronisk utstyr som ikke lenger er brukbart, og som i henhold til EU-forskrift 2006/66/EC har defekte eller brukte batteripakker/batterier, samles inn separat og deponeres på en miljøvennlig måte.

Hvis elektrisk apparater kastes på søppelfyllinger, kan farlige stoffer lekke ut i grunnvannet og komme inn i næringskjeden, og forårsake skader på helse og velvære.

FEILSØKING

PROBLEM	ÅRSAK	LØSNING
Blåseren virker ikke.	<ul style="list-style-type: none">■ Batteripakken er ikke festet til blåseren.■ Ingen elektrisk kontakt mellom blåseren og batteriet.■ Batteripakken er tom.■ Batteripakken eller blåseren er for varme.■ Hastighets-/låsehjulet ble ikke skrudd tilbake til av-posisjon før du slo på løvblåseren.	<ul style="list-style-type: none">■ Fest batteriet til blåseren.■ Fjern batteriet, sjekk kontakter og installer batteripakken.■ Lad opp batteripakken.■ Kjøøl ned batteripakken til temperaturen synker under 67 °C.■ Trykk ned luftutløseren for å deaktivere sikkerhetsmekanismen og starte løvblåseren, eller dreii først hastighets-/låsehjulet til det er i av-posisjon.
Lufthastigheten reduseres betydelig.	<ul style="list-style-type: none">■ Overdreven slitasje på motorviften.■ Luftinntaket er blokkert av rester.	<ul style="list-style-type: none">■ Kontakt EGO-servicesenteret for reparasjon.■ Ta ut batteripakken, og fjern rusket.

NO

GARANTI

EGOs GARANTIREGLER

Besøk nettsiden egopowerplus.com for å se fullstendige vilkår og betingelser for EGO-garantireglene.

ПРОЧИТАЙТЕ ВСЕ ИНСТРУКЦИИ!



ВНИМАТЕЛЬНО ПРОЧИТАЙТЕ РУКОВОДСТВО ПОЛЬЗОВАТЕЛЯ.

ПРИМЕЧАНИЕ. Данные инструкции должны быть также доступны в альтернативном формате, например на веб-сайте.

⚠️ Остаточные риски! Если вы используете электронные устройства, такие как кардиостимулятор, перед эксплуатацией данного устройства проконсультируйтесь с врачом. Использование электрооборудования в непосредственной близости от кардиостимулятора может привести к образованию помех и повреждению кардиостимулятора.

⚠️ ПРЕДУПРЕЖДЕНИЕ. Чтобы обеспечить безопасность и надежность устройства, его ремонт и замену частей должен выполнять квалифицированный специалист.

RU

СИМВОЛЫ БЕЗОПАСНОСТИ

Символы безопасности предназначены для привлечения внимания к возможным рискам. Символы безопасности, а также объяснения к ним, требуют особого внимания и понимания. Предупреждения по технике безопасности сами по себе не устраняют опасность. Инструкции и предупреждения не заменяют соответствующие меры по предотвращению несчастных случаев.

⚠️ ПРЕДУПРЕЖДЕНИЕ. Перед использованием устройства внимательно прочитайте все инструкции в данном руководстве пользователя и ознакомьтесь с предупреждающими символами безопасности, такими как «**ОПАСНОСТЬ**», «**ПРЕДУПРЕЖДЕНИЕ**» и «**ВНИМАНИЕ**». Несоблюдение всех приведенных ниже инструкций может привести к поражению электрическим током, возникновению пожара и/или получению серьезных травм.

ПРЕДОТВРАЩЕНИЕ ПОВРЕЖДЕНИЙ И ИНФОРМАЦИОННЫЕ СООБЩЕНИЯ

Данные сообщения предназначены для предоставления пользователю важной информации и/или инструкций, несоблюдение которых может привести к повреждению оборудования и имущества. Каждое сообщение начинается со слова «ПРИМЕЧАНИЕ», как в примере ниже.

ПРИМЕЧАНИЕ. Несоблюдение данных инструкций может привести к повреждению оборудования и/или имущества.



⚠️ ПРЕДУПРЕЖДЕНИЕ. В результате работы электроинструмента в глаза могут попасть посторонние предметы, что приведет к серьезному повреждению глаз. Перед началом использования электроинструмента всегда надевайте защитную маску или защитные очки с боковыми щитками и полнопрофильную защитную маску (при необходимости). Поверх очков или стандартных защитных очков рекомендуется надевать защитную маску с широким обзором.

ИНСТРУКЦИИ ПО ТЕХНИКЕ БЕЗОПАСНОСТИ

Далее приведено изображение и описание символов безопасности, которые могут присутствовать на данном устройстве. Перед сборкой или использованием внимательно прочитайте все инструкции, приведенные на устройстве, и соблюдайте их.

	Предупреждение об опасности	Меры предосторожности, касающиеся безопасности.
	Надевайте защитные очки.	При работе с данным устройством всегда используйте защиту для глаз или защитные очки с боковыми щитками и полнопрофильную защитную маску.
	Используйте средства защиты органов слуха.	При использовании устройства всегда надевайте средства защиты органов слуха.
	Внимательно прочитайте руководство пользователя.	Чтобы уменьшить риск получения травм, перед использованием устройства необходимо прочитать руководство по эксплуатации.
	Не позволяйте посторонним людям находиться поблизости.	Следите за тем, чтобы посторонние лица находились на расстоянии не менее 15м.
V	Вольт	Напряжение

A	Амперы	Сила тока
Hz	Герц	Частота (оборотов в секунду)
W	Ватт	Мощность
min	Минуты	Время
m ³ /h	Кубический метр в час	Объем воздуха
km/h	Километров в час	Скорость воздушного потока
~	Переменный ток	Тип тока
— — —	Постоянный ток	Тип или характеристика тока
n ₀	Скорость работы без нагрузки	Скорость вращения без нагрузки
... /min	В минуту	Оборотов в минуту

При использовании электрического устройства необходимо строго соблюдать следующие меры безопасности.

ОБЩИЕ ПРЕДУПРЕЖДЕНИЯ ПО БЕЗОПАСНОСТИ ПРИ РАБОТЕ С ЭЛЕКТРОИНСТРУМЕНТАМИ

⚠ ПРЕДУПРЕЖДЕНИЕ. ПРОЧИТАЙТЕ ВСЕ ПРАВИЛА БЕЗОПАСНОСТИ, ИНСТРУКЦИИ, ИЛЛЮСТРАЦИИ И СПЕЦИФИКАЦИИ, ПРИЛАГАЕМЫЕ К ЭТОМУ ЭЛЕКТРОИНСТРУМЕНТУ. Невыполнение изложенных ниже инструкций может привести к поражению электрическим током, пожару и (или) тяжелым травмам.

СОХРАНИТЕ ВСЕ ПРЕДУПРЕЖДЕНИЯ И ИНСТРУКЦИИ ДЛЯ ИСПОЛЬЗОВАНИЯ В БУДУЩЕМ.

Термин «электроинструмент» в предупреждениях означает электрический инструмент с питанием от сети (с кабелем) или электрический инструмент с питанием от батареи (без кабеля).

БЕЗОПАСНОСТЬ РАБОЧЕГО МЕСТА

- **Обеспечьте чистоту и освещенность рабочего места.** Загроможденные и плохо освещенные места служат причиной несчастных случаев.

- **Не используйте электроинструменты во взрывоопасных местах, например вблизи горючих жидкостей, бензина или пыли.** Электроинструменты генерируют искры, которые могут воспламенить пыль или испарения.
- **Не позволяйте детям и другим людям находиться вблизи работающего электроинструмента.** Отвлекающие факторы могут привести к потере контроля над инструментом.

ЭЛЕКТРОБЕЗОПАСНОСТЬ

- **Вилка электроинструмента должна соответствовать розетке. Никогда не переделывайте вилку. Не используйте никакие переходники для вилок с заземлением.** Использование оригинальных вилок и соответствующих им розеток уменьшает риск поражения электрическим током.
- **Избегайте прикосновений к заземленным объектам, таким как трубы, радиаторы, плиты и холодильники.** Существует повышенная опасность поражения электрическим током, если ваше тело заземлено.
- **Не подвергайте электроинструменты воздействию дождя или влаги.** При попадании воды в электроинструмент увеличивается риск поражения электрическим током.
- **Обращайтесь с кабелем аккуратно. Никогда не переносите, не тяните и не выключайте электроинструмент за кабель. Не оставляйте кабель вблизи источников тепла, масла, острых предметов или движущихся частей.** Поврежденные или запутанные кабели повышают опасность поражения электрическим током.
- **Для работы с электроинструментом вне помещения используйте предназначенный для этого удлинительный кабель.** Использование кабеля, подходящего для использования вне помещения, снижает риск поражения электрическим током.
- **Если использование электроинструмента в сыром помещении неизбежно, подключайте его через выключатель короткого замыкания на землю (ВКЗЗ).** Использование ВКЗЗ уменьшает риск поражения электрическим током.

RU

ЛИЧНАЯ БЕЗОПАСНОСТЬ

- Будьте бдительны, следите за тем, что делаете, и следуйте здравому смыслу при использовании электроинструмента. Не пользуйтесь электроинструментом, если вы устали или находитесь под воздействием наркотиков, алкоголя или медикаментов. Даже кратковременная невнимательность при работе с электроинструментом может привести к тяжелым травмам.
- Используйте средства индивидуальной защиты. Всегда надевайте защитные средства для глаз. Использование защитных средств, таких как противопылевая маска, нескользящая предохранительная обувь, жесткая каска или средства защиты органов слуха в соответствующих условиях уменьшает риск травмирования.
- Не допускайте непредвиденных запусков. Перед подключением электроинструмента к сети питания и/или аккумулятору и перед его переноской убедитесь, что выключатель находится в выключенном положении. Переноска электроинструмента с пальцем на выключателе и включение вилки в розетку при включенном электроинструменте — причины несчастных случаев.
- Перед включением электроинструмента снимите с него регулировочные инструменты и гаечные ключи. Гаечный ключ, оставленный на подвижной детали электроинструмента, может вызвать травмы.
- Не тянитесь. Во время работы всегда сохраняйте устойчивое положение. Это позволит лучше контролировать электроинструмент в непредвиденных ситуациях.
- Одевайтесь надлежащим образом. Не надевайте свободную одежду и украшения. Держите волосы, одежду и перчатки подальше от движущихся частей. Свободная одежда, украшения и длинные волосы могут попасть в движущиеся части.
- При наличии пылеулавливающих устройств убедитесь в том, что они подключены и правильно работают. Использование пылеулавливающих устройств снижает вред, причиняемый пылью.
- Не допускайте небрежности, которая может возникнуть из-за частого использования инструмента и повлечь за собой самоуверенность и игнорирование правил безопасности. Неосторожное действие может причинить серьезную травму за доли секунды.

ИСПОЛЬЗОВАНИЕ И ОБСЛУЖИВАНИЕ ЭЛЕКТРОИНСТРУМЕНТА

- Не прилагайте к электроинструменту чрезмерных усилий. Используйте подходящий для ваших задач электроинструмент. Правильный электроинструмент безопасен и лучше работает при номинальной мощности.
- Не используйте электроинструмент, если его выключатель неисправен. Электроинструменты с неисправным выключателем опасны и подлежат ремонту.
- Перед регулировкой, сменой аксессуаров или хранением отключите электроинструмент от сети питания и/или аккумуляторов. Такие меры предосторожности уменьшают риск случайного запуска электроинструмента.
- Храните неиспользуемые электроинструменты в местах, недоступных для детей, и не доверяйте электроинструмент лицам, не знакомым с ним и с этими инструкциями. Электроинструменты опасны в руках неподготовленных пользователей.
- Выполняйте техническое обслуживание электроинструментов. Проверьте выравнивание и сцепление подвижных деталей, наличие поломок и прочие условия, которые могут повлиять на работу электроинструмента. В случае повреждения инструмента отремонтируйте его перед использованием. Многие несчастные случаи вызваны неправильным обслуживанием электроинструментов.
- Храните режущие инструменты в чистоте и заточенном состоянии. Правильно обслуживаемые и хорошо заточенные режущие инструменты меньше заклинивают и лучше контролируются.
- Используйте электроинструмент, аксессуары, насадки и т. п. в соответствии с этими инструкциями, учитывая условия и специфику выполняемой работы. Использование электроинструмента для выполнения непредусмотренных операций может привести к опасным ситуациям.
- Следите за тем, чтобы рукоятки и поверхности захвата были сухими и чистыми и на них не было масла или смазочного материала. Скользкие рукоятки и поверхности захвата не позволяют безопасно использовать инструмент и контролировать его в непредвиденных ситуациях.

RU

ИСПОЛЬЗОВАНИЕ И СОДЕРЖАНИЕ ИНСТРУМЕНТА С ПИТАНИЕМ ОТ БАТАРЕЙ

- Заряжайте батареи только с помощью зарядного устройства, указанного изготовителем. Зарядное устройство, предназначенное для одного типа аккумуляторных батарей, может стать причиной пожара при использовании с другим типом батарей.
- Используйте электроинструмент только со специально предназначенными для него аккумуляторными батареями. Использование любого другого вида аккумуляторных батарей может стать причиной несчастных случаев или пожара.
- Когда аккумулятор не используется, храните его отдельно от металлических предметов — канцелярских скрепок, монет, ключей, гвоздей, винтов и др. — они могут замкнуть контакты. Короткое замыкание контактов аккумуляторной батареи может стать причиной ожогов или пожара.
- При неблагоприятных обстоятельствах из аккумуляторной батареи может потечь электролит. Избегайте контакта с ним. При случайном контакте с кожей промойте пораженный участок проточной водой. Если электролит попал в глаза, обратитесь к врачу. Электролит из аккумуляторной батареи может вызвать раздражение и ожоги.
- Не используйте аккумулятор и инструмент, если они повреждены или подвергались модификациям. Поведение поврежденных или модифицированных аккумуляторов может быть непредсказуемым, что приведет к возгоранию, взрыву и риску получения травм.
- Не подвергайте аккумуляторную батарею и инструмент воздействию огня и высокой температуры. Воздействие огня или температуры выше 130 °C может привести к взрыву.
- Следуйте всем инструкциям по зарядке и не заряжайте аккумулятор и инструмент при температуре, выходящей за пределы указанного диапазона. Если зарядка выполняется неправильно или в условиях неподходящей температуры, это может привести к повреждению аккумулятора и возгоранию.

РЕМОНТ

- Ремонт электроинструмента должен производиться квалифицированным специалистом с использованием только идентичных запасных частей. Это обеспечит безопасную работу электроинструмента.

- Никогда не выполняйте обслуживание поврежденного аккумулятора. Обслуживание аккумуляторов должно выполняться только производителем или в авторизованном сервисном центре.

ПЕРЕД ИСПОЛЬЗОВАНИЕМ УСТРОЙСТВА ПРОЧИТАЙТЕ ВСЕ ИНСТРУКЦИИ!

ОБУЧЕНИЕ

- Не позволяйте использовать данное устройство детям, лицам с пониженными физическими, сенсорными или умственными способностями или имеющими недостаточный опыт или знания либо людям, не знакомым с этими инструкциями.
- Оператор или владелец несут ответственность за несчастные случаи и ущерб, нанесенный другим людям или их имуществу.

ПОДГОТОВКА

- Данный электроинструмент можно использовать под дождем и во влажных условиях. После завершения работы высушите электроинструмент.
- Перед использованием проверьте батареи и аккумуляторы на наличие повреждений. Не используйте устройство, если батареи или аккумуляторы повреждены.

ЭКСПЛУАТАЦИЯ

- Данный электроинструмент можно использовать под дождем и во влажных условиях. После завершения работы высушите электроинструмент.
- Всегда извлекайте аккумуляторы из устройства в следующих случаях:
 1. когда отходите от устройства;
 2. перед очисткой засорения;
 3. перед проверкой, очисткой или ремонтом устройства;
 4. если устройство начало сильно вибрировать.
- На склонах всегда следите за тем, чтобы находиться в устойчивом положении.
- Передвигайтесь шагом, не бегайте.
- Следите за чистотой вентиляционных отверстий.

RU

- Работайте с устройством только в допустимое время — не слишком рано утром и не слишком поздно вечером, чтобы не беспокоить других людей.
- Слегка смочите обрабатываемую территорию в условиях запыленности или используйте мелкодисперсный опрыскиватель.

⚠ ПРЕДУПРЕЖДЕНИЕ. Осторожно, вращающиеся части!

- Используйте максимальную длину насадки воздуходувки, чтобы воздушный поток действовал ближе к земле.
- Не используйте устройство вблизи открытых окон и т. д.

ОБСЛУЖИВАНИЕ И ХРАНЕНИЕ

- Следите за тем, чтобы все гайки, болты и винты были плотно затянуты — это обеспечит безопасную работу устройства.
- Заменяйте изношенные или поврежденные детали.
- Используйте только оригинальные запчасти и аксессуары.
- Храните устройство в сухом месте.

⚠ ПРЕДУПРЕЖДЕНИЕ. Чтобы уменьшить риск пожара, поражения электрическим током или травмы, соблюдайте следующие требования.

ВАЖНО!

ВНИМАТЕЛЬНО ПРОЧИТАЙТЕ ПЕРЕД ИСПОЛЬЗОВАНИЕМ.

СОХРАНИТЕ ЭТО РУКОВОДСТВО ДЛЯ ИСПОЛЬЗОВАНИЯ В БУДУЩЕМ.

- Воздуходувка не должна использоваться в качестве игрушки. Будьте очень внимательны, когда дети пользуются устройством или находятся рядом с ним.
- Если устройство не работает должным образом, если оно падало (в том числе в воду) или было повреждено, отнесите его в сервисный центр.
- Не помещайте посторонние предметы в отверстия устройства. Не используйте устройство, если какие-либо его отверстия заблокированы. Содержите отверстия в чистоте от пыли, пуха, волос и других загрязнений, которые могут уменьшить поток воздуха.
- Соблюдайте особую осторожность при уборке на лестницах.

- Не оставляйте воздуходувку без присмотра, если к ней подключен аккумулятор. Извлекайте аккумулятор перед обслуживанием воздуходувки, а также если она не используется.
- Не прикасайтесь мокрыми руками к зарядному устройству, в том числе вилке и контактам.
- Не заряжайте аккумуляторную батарею на открытом воздухе.

⚠ ПРЕДУПРЕЖДЕНИЕ.

- Прежде чем выбрасывать устройство, необходимо извлечь аккумулятор.

- Аккумулятор необходимо утилизировать безопасным способом.

- НЕ пытайтесь очищать устройство, если из него не извлечен аккумулятор.
- Следите за тем, чтобы воздуходувка и ее рукоятка были сухими и чистыми и на них не было масла или смазочного материала. Всегда используйте чистую ткань для очистки. Никогда не используйте для очистки воздуходувки тормозные жидкости, бензин, нефтепродукты и любые сильные растворители. Соблюдение данного правила позволяет снизить риск потери контроля и повреждения пластика корпуса.
- Аккумуляторы выделяют газообразный водород и могут взрываться при наличии источника зажигания, например запальника. Чтобы уменьшить риск получения серьезной травмы, никогда не используйте беспроводные устройства вблизи открытого пламени. Взорвавшийся аккумулятор выделяет загрязнения и химикаты. При попадании на кожу немедленно промойте водой.
- Никогда не используйте устройство без установленного надлежащего оборудования. Всегда следите за тем, чтобы труба воздуходувки была установлена.
- Никогда не используйте воздуходувку вблизи огня или горячей золы. Использование устройства вблизи огня или золы может привести к распространению огня, серьезным травмам и/или повреждению имущества.
- Никогда не используйте воздуходувку для распыления химикатов, удобрений или других токсичных веществ. Распыление этих веществ может привести к серьезным травмам оператора или окружающих.
- Сохраните настоящую инструкцию. Регулярно просматривайте их и предоставляйте для ознакомления другим пользователям. Одалживая кому-либо устройство, передайте также данные инструкции для предотвращения неправильного использования и возможных травм.

СОХРАНИТЕ ДАННОЕ РУКОВОДСТВО!
ТЕХНИЧЕСКИЕ ХАРАКТЕРИСТИКИ

Напряжение	56 В
Максимальный объем воздуха из сопла	986 м ³ /ч
Рекомендуемая рабочая температура	От -15 до 40 °С
Рекомендуемая температура хранения	От -20 до 70 °С
Maximum Air Velocity	65 м/с (без круглого сопла)
	75 м/с (С круглой насадкой)
Approx. Run Time (with EGO 5.0Ah battery)	18 мин. (турборежим)
	30 мин. (высокая скорость)
	200 мин. (низкая скорость)
Максимальная сила выдувания	18N
Масса воздуходувки (без аккумулятора, с трубой)	2,18 кг
Измеренный уровень звуковой мощности L _{WA}	94,73 дБ (А) K=2,83 дБ (А)
Уровень звукового давления на уши оператора L _{TPA}	78,4 дБ (А) K=2,5 дБ (А)
Гарантированный уровень звуковой мощности L _{WA} (измерен в соответствии с 2000/14/EC)	98 дБ (А)
Вибрация a _h	0,505 м/с ²
	K=1,5 м/с ²

- Указанный общий показатель уровня вибрации был определен с помощью стандартного теста и может быть использован для сравнения разных инструментов.
- Указанный общий уровень вибрации может использоваться также для предварительной оценки уровня воздействия.
- **ПРИМЕЧАНИЕ.** Реальное вибрационное воздействие электроинструмента может отличаться от указанного в зависимости от способа использования. В целях безопасности оператор должен надевать перчатки и средства защиты органов слуха во время использования устройства.

УПАКОВОЧНЫЙ ЛИСТ

НАЗВАНИЕ ДЕТАЛИ	КОЛИЧЕСТВО
Воздуходувка	1
Труба воздуходувки	1
Насадка-сопло	2
Руководство по эксплуатации	1

ОПИСАНИЕ
ЧАСТИ ВОЗДУХОДУВКИ (Рис. А)

1. Плоская насадка
2. Круглая насадка
3. Труба воздуходувки
4. Кнопка фиксации трубы
5. Основание
6. Воздухозаборник
7. Извлечение аккумулятора
8. Электрические контакты
9. Фиксатор
10. Кнопка извлечения аккумулятора
11. Курок скорости подачи воздуха
12. Кнопка турборежима
13. Регулятор скорости/блокировки

⚠ ПРЕДУПРЕЖДЕНИЕ. Для безопасного использования устройства необходимо изучить и понять информацию, указанную на самом устройстве и в настоящем руководстве пользователя, а также иметь ясное представление о планируемой работе. Перед использованием устройства ознакомьтесь со всеми функциями и правилами безопасности.

СБОРКА

⚠ ПРЕДУПРЕЖДЕНИЕ. Если какие-либо части повреждены или отсутствуют, не используйте устройство, пока они не будут установлены. Использование устройства в случае повреждения или отсутствия частей может привести к получению серьезной травмы.

⚠ ПРЕДУПРЕЖДЕНИЕ. Не пытайтесь изменить конструкцию воздуходувки или использовать нереконструированные для нее дополнительные приспособления. Подобное изменение считается ненадлежащим использованием и способствует возникновению опасной ситуации, которая приведет к получению серьезной травмы.

RU

⚠ ПРЕДУПРЕЖДЕНИЕ. Чтобы предотвратить случайное включение устройства и получение серьезной травмы, всегда извлекайте аккумулятор перед сборкой частей.

ПРИМЕНЕНИЕ

Данное устройство можно использовать в следующих целях.

- Для очистки твердых поверхностей, таких как подъездные пути и дорожки.
- Для очистки поверхностей и подъездных путей от листьев и хвои.

ПРИМЕЧАНИЕ. Инструмент должен использоваться только по назначению. Любое другое использование, кроме упомянутого, считается неправильным.

УСТАНОВКА И ДЕМОНТАЖ ТРУБЫ ВОЗДУХОДУВКИ

RU

■ Установка (Рис. В&С)

Совместите пазы и вставьте трубу в корпус до щелчка.

■ Демонтаж (Рис. D)

Нажмите кнопку фиксации трубы и извлеките трубу.

УСТАНОВКА И ДЕМОНТАЖ КРУГЛОЙ И ПЛОСКОЙ НАСАДКИ ВОЗДУХОДУВКИ

■ Установка (Рис. E&F)

Совместите паз насадки-распределителя с фиксатором трубки и вставьте ее до щелчка.

■ Демонтаж (Рис. G)

Нажмите и удерживайте кнопку извлечения насадки, чтобы открыть зажим, затем снимите насадку с воздуходувки.

ПРЕДУПРЕЖДЕНИЕ. Если какие-либо части повреждены или отсутствуют, не используйте устройство, пока они не будут установлены. Использование устройства в случае повреждения или отсутствия частей может привести к получению серьезной травмы.

УСТАНОВКА И ДЕМОНТАЖ АККУМУЛЯТОРА

Зарядите перед первым использованием.

Используйте только аккумуляторы и зарядные устройства, указанные на рис. А.

■ Установка (Рис. H)

Совместите ребра аккумулятора с крепежными отверстиями и вставьте аккумулятор до щелчка.

■ Демонтаж (Рис. I)

Нажмите кнопку фиксации аккумулятора и извлеките аккумулятор.

⚠ ПРЕДУПРЕЖДЕНИЕ. Всегда следите за положением своих ног, а также за местонахождением детей и животных, когда нажимаете на кнопку фиксации аккумулятора. Падение аккумулятора может привести к серьезным травмам. НИКОГДА не извлекайте аккумулятор, если находитесь на возвышенности.

Описание частей на Рис. H

H-1	Кнопка фиксации аккумулятора	H-3	Крепежное отверстие
H-2	Ребра аккумулятора		

ВКЛЮЧЕНИЕ И ВЫКЛЮЧЕНИЕ ВОЗДУХОДУВКИ (Рис. J)

■ Только курок скорости подачи воздуха

1. Нажмите курок, чтобы включить воздуходувку.
2. Скорость воздушного потока воздуходувки контролируется с помощью курка скорости подачи воздуха. Чем сильнее нажат курок, тем выше скорость выдувания; чем слабее нажат курок, тем ниже скорость выдувания. Отрегулируйте скорость в соответствии с выполняемой задачей.
3. Отпустите курок, чтобы выключить воздуходувку.

■ Только регулятор скорости/блокировки

Воздуходувка может быть включена и заблокирована на любой скорости

с помощью регулятора скорости/блокировки.

1. Поверните регулятор по часовой стрелке, чтобы запустить воздуходувку. Скорость потока воздуха увеличивается по мере вращения регулятора по часовой стрелке.
2. Чтобы уменьшить скорость потока воздуха, вращайте регулятор скорости/блокировки против часовой стрелки.
3. Поверните регулятор скорости/блокировки против часовой стрелки в положение выключения, чтобы остановить воздуходувку.

ПРИМЕЧАНИЕ. Если регулятор скорости/блокировки не был возвращен в положение выключения перед выключением воздуходувки, воздуходувка не запустится с помощью регулятора скорости/блокировки при установке заряженного аккумулятора. Эта защитная функция позволяет предотвращать случайные запуски. Нажмите курок скорости подачи воздуха, чтобы отключить защиту.

Нажмите кнопку турборежима, чтобы временно увеличить скорость подачи воздуха до максимального уровня. Когда кнопка будет отпущена, воздуходувка продолжит работать с прежней скоростью.

Описание частей на Рис. J

J-1	Регулятор скорости/блокировки	J-3	Курок скорости подачи воздуха
J-2	Кнопка турборежима		

ИСПОЛЬЗОВАНИЕ ВОЗДУХОДУВКИ

- Чтобы мусор не разлетался, направляйте поток воздуха от наружных краев кучи мусора. Никогда не направляйте поток воздуха непосредственно в центр кучи.
- Чтобы снизить уровень шума, ограничьте число единиц оборудования, используемых одновременно.
- Используйте грабли и метлу, чтобы убрать мусор перед использованием воздуходувки. В пыльных условиях по возможности слегка увлажните поверхность.
- Следите за детьми, домашними животными, открытыми окнами и свежевывмытыми автомобилями и сдувайте мусор в сторону от них.
- После использования воздуходувок и другого оборудования наведите порядок! Утилизируйте мусор надлежащим образом.
- Не рекомендуется использовать воздуходувку на высокой скорости длительное время, т. к. вибрация и шум могут быть опасны для здоровья.

ОБСЛУЖИВАНИЕ

⚠ ПРЕДУПРЕЖДЕНИЕ. При ремонте используйте только идентичные запасные части. Использование других запасных частей может привести к травмам или повреждению устройства. Чтобы обеспечить безопасность и надежность устройства, его ремонт должен выполнять квалифицированный специалист.

⚠ ПРЕДУПРЕЖДЕНИЕ. Во избежание травм всегда извлекайте аккумулятор из устройства перед чистой или обслуживанием.

ОБЩЕЕ ОБСЛУЖИВАНИЕ

Не используйте растворители для чистки пластмассовых деталей. Большинство пластиковых частей чувствительны к различным бытовым растворителям и могут быть повреждены. Для очистки от грязи, пыли, масла, смазки и т. п. используйте чистую ткань.

⚠ ПРЕДУПРЕЖДЕНИЕ. Не допускайте попадания на пластиковые части тормозной жидкости, бензина, продуктов на нефтяной основе, пропитывающих масел и т. д. Химические вещества могут повредить, ослабить или разрушить пластик, что приведет к получению серьезных травм.

ХРАНЕНИЕ

- Извлеките аккумулятор из воздуходувки.
- Уберите все посторонние материалы из воздухозаборного отверстия воздуходувки.
- Храните внутри помещения в недоступном для детей месте. Храните вдали от источников коррозии, таких как садовые удобрения и техническая соль.

RU

Защита окружающей среды



Не выбрасывайте электрооборудование, зарядные устройства, батарейки и аккумуляторы вместе с бытовыми отходами!

В соответствии с европейским законом 2012/19/EU электрическое и электронное оборудование, которое не подлежит дальнейшей эксплуатации, а также непригодные и использованные батарейки и аккумуляторы (согласно европейскому закону 2006/66/EC) должны быть собраны отдельно и утилизированы экологически безопасным способом.

При утилизации электрических устройств на свалках в подземные воды могут просочиться опасные вещества, которые затем попадут в пищевую цепь и приведут к общему ухудшению здоровья и благополучия.

УСТРАНЕНИЕ НЕИСПРАВНОСТЕЙ

ПРОБЛЕМА	ПРИЧИНА	РЕШЕНИЕ
Воздуходувка не работает.	<ul style="list-style-type: none"> ■ Аккумулятор не установлен в воздуходувку. ■ Нет электрического контакта между воздуходувкой и аккумулятором. ■ Аккумулятор разряжен. ■ Аккумулятор или воздуходувка перегрелись. ■ Регулятор скорости/блокировки не был возвращен в выключенное положение перед включением воздуходувки. 	<ul style="list-style-type: none"> ■ Аккумулятор не установлен в воздуходувку. ■ Нет электрического контакта между воздуходувкой и аккумулятором. ■ Аккумулятор разряжен. ■ Дайте аккумулятору и воздуходувке остыть, пока температура не упадет ниже 67 °С. ■ Нажмите курок скорости подачи воздуха, чтобы снять защиту и запустить воздуходувку, или сначала поверните регулятор скорости/блокировки в выключенное положение.
Скорость воздушного потока значительно снизилась.	<ul style="list-style-type: none"> ■ Чрезмерный износ вентилятора двигателя. ■ Воздухозаборное отверстие засорилось. 	<ul style="list-style-type: none"> ■ Обратитесь в сервисный центр EGO для ремонта. ■ Извлеките аккумулятор, удалите засор.

RU

ГАРАНТИЯ

ГАРАНТИЙНАЯ ПОЛИТИКА EGO

Посетите веб-сайт egopowerplus.com, чтобы ознакомиться со всеми условиями и сроками гарантийной политики EGO.

PRZECZYTAJ WSZYSTKIE INSTRUKCJE!



PRZECZYTAJ INSTRUKCJĘ OPERATORA

UWAGA: Niniejsza instrukcja powinna być także dostępna w innym formacie, np. na stronie internetowej.

⚠ Ryzyko szczytkowe! Osoby z urządzeniami elektronicznymi, takimi jak rozruszniki serca, powinny przed użyciem produktu skonsultować się ze swoim(i) lekarzem/-ami. Używanie urządzeń elektrycznych blisko rozrusznika serca może spowodować zakłócenia lub uszkodzić rozrusznik.

⚠ OSTRZEŻENIE: Aby zagwarantować bezpieczeństwo i niezawodność, wszystkie naprawy i wymiany części powinny być wykonywane przez wykwalifikowanych techników serwisu.

SYMBOLE BEZPIECZEŃSTWA

Celem symboli bezpieczeństwa jest zwrócenie uwagi użytkownika na możliwe zagrożenia. Symbole bezpieczeństwa i objaśnienia do nich sąsiadują na to, by je uważnie przestudiować i zrozumieć. Symbole bezpieczeństwa nie eliminują same z siebie jakichkolwiek zagrożeń. Podawane w nich instrukcje i ostrzeżenia nie zastępują odpowiednich środków zapobiegania wypadkom.

⚠ OSTRZEŻENIE: Przed użyciem narzędzia prosimy przeczytać i zrozumieć wszystkie instrukcje dotyczące bezpieczeństwa podane w podręczniku użytkownika, łącznie z wszystkimi symbolami ostrzegawczymi takimi jak „NIEBEZPIECZEŃSTWO”, „OSTRZEŻENIE” i „UWAGA”. Niestosowanie się do wszystkich podanych niżej instrukcji może doprowadzić do porażenia prądem, pożaru i/lub poważnych obrażeń.

ZAPOBIEGANIE USZKODZENIOM I KOMUNIKATY INFORMACYJNE

Przekazują one użytkownikowi ważne informacje i/lub instrukcje, których zignorowanie może prowadzić do uszkodzenia urządzenia lub innego mienia. Każdy komunikat jest poprzedzony słowem „UWAGA”, tak jak w przykładzie poniżej:

UWAGA: Nieprzestrzeganie instrukcji grozi uszkodzeniem urządzenia i/lub mienia.



⚠ OSTRZEŻENIE: Praca elektronarzędziami może spowodować wyrzucenie ciał obcych w oczy użytkownika, co może doprowadzić do poważnych urazów oczu. Przed rozpoczęciem pracy elektronarzędziem należy zawsze założyć gogle ochronne lub okulary z osłonami bocznymi, a w stosownych przypadkach także pełną osłonę na twarz. Zalecamy nakładanie na zwykłe okulary maski zabezpieczającej o szerokim polu widzenia lub stosowanie standardowych okularów zabezpieczających z osłonami bocznymi.

INSTRUKCJE DOTYCZĄCE BEZPIECZEŃSTWA

Na tej stronie pokazano i opisano symbole bezpieczeństwa, które mogą występować na produkcie. Przed podjęciem próby złożenia i użycia urządzenia należy przeczytać i zrozumieć wszystkie instrukcje dotyczące maszyny oraz zastosować się do nich.

	Ostrzeżenie dotyczące bezpieczeństwa	Ostrzeżenia istotne dla bezpieczeństwa użytkownika.
	Noś okulary ochronne	Podczas używania produktu należy zawsze nosić gogle ochronne lub okulary ochronne z osłonami bocznymi, a także pełną osłonę na twarz.
	Noś ochronniki słuchu	Podczas pracy urządzeniem należy zawsze nosić ochronniki słuchu.
	Przeczytaj instrukcję operatora	Aby zmniejszyć ryzyko urazów, przed rozpoczęciem korzystania z urządzenia użytkownik musi przeczytać instrukcję.
	Osoby postronne trzymaj z daleka	Osoby postronne muszą stać w odległości co najmniej 15m.
V	Wolt	Napięcie
A	Ampery	Prąd
Hz	Herc	Częstotliwość (cykli na sekundę)

PL

W	Wat	Moc
min	Minuty	Czas
m ³ /h	Metr sześcienny na godzinę	Objętość powietrza
km/h	Kilometry na godzinę	Prędkość powietrza
	Prąd zmienny	Rodzaj prądu
	Prąd stały	Rodzaj lub charakterystyka prądu
n ₀	Prędkość bez obciążenia	Prędkość obrotowa bez obciążenia
.../min	Na minutę	Obroty na minutę

Podczas używania urządzeń elektrycznych należy zawsze przestrzegać podstawowych zasad bezpieczeństwa, w tym następujących zaleceń:

PL

OGÓLNE OSTRZEŻENIA DOTYCZĄCE ELEKTRONARZĘDZI

⚠ OSTRZEŻENIE: PROSIMY PRZECZYTAĆ WSZYSTKIE OSTRZEŻENIA I INSTRUKCJE ORAZ PRZESTUDIOWAĆ SPECYFIKACJĘ I ILUSTRACJE DOSTARCZONE WRAZ Z ELEKTRONARZĘDZIEM. Niestosowanie się do wszystkich podanych niżej instrukcji może doprowadzić do porażenia prądem, pożaru i/lub poważnych obrażeń.

WSZYSTKIE OSTRZEŻENIA I INSTRUKCJE NALEŻY ZACHOWAĆ NA PRZYSZŁOŚĆ.

Termin „elektronarzędzie” występujący w ostrzeżeniach dotyczy narzędzia elektrycznego o zasilaniu sieciowym (przewodowego) lub akumulatorowym (beprzewodowego).

BEZPIECZEŃSTWO W MIEJSCU PRACY

- Należy dbać o czystość i dobre oświetlenie w miejscu pracy. Bałagan i złe oświetlenie sprzyjają wypadkom.
- Nie należy używać elektronarzędzi w miejscach zagrożonych wybuchem, np. w obecności łatwopalnych cieczy, benzyny lub pyłu. Elektronarzędzia wytwarzają iskry, które mogą zapalić opary lub pył.
- W czasie pracy elektronarzędzie należy trzymać z dala od dzieci i osób postronnych. Chwila nieuwagi może spowodować utratę kontroli nad urządzeniem.

BEZPIECZEŃSTWO ELEKTRYCZNE

- Wtyczki elektronarzędzi muszą pasować do gniazdek. Nigdy w jakikolwiek sposób nie wolno przerabiać wtyczki. Do elektronarzędzi wymagających uziemienia nie należy używać przejściówek. Oryginalne wtyczki i pasujące do nich gniazdka zmniejszają ryzyko porażenia prądem.
- Należy unikać dotykania ciałem powierzchni uziemionych, takich jak np. rury, kaloryfery, kuchenki i lodówki. Uziemienie ciała zwiększa ryzyko porażenia prądem.
- Elektronarzędzia należy chronić przed deszczem i wilgocią. Woda dostająca się do wnętrza elektronarzędzia zwiększa ryzyko porażenia prądem.
- Nie należy nadwyręzać przewodu. Nigdy nie używać przewodu do noszenia lub ciągnięcia elektronarzędzia; nie chwytać za przewód, aby wyjąć wtyczkę z kontaktu. Przewód trzymać z dala od ostrych krawędzi, poruszających się części i źródeł ciepła. Chronić przed poplamieniem ropą lub olejem. Zapłątane lub uszkodzone przewody zwiększają ryzyko porażenia prądem.
- Podczas używania elektronarzędzia na dworze należy stosować przedłużacz nadający się do używania na dworze. Używanie przewodu przeznaczonego do stosowania na dworze zmniejsza ryzyko porażenia prądem.
- Jeżeli użycie elektronarzędzia w miejscu o dużej wilgotności jest nieuniknione, należy stosować zasilanie zabezpieczone wyłącznikiem różnicowoprądowym. Używanie wyłącznika różnicowoprądowego zmniejsza ryzyko porażenia prądem.

BEZPIECZEŃSTWO OSOBISTE

- Podczas pracy narzędziem należy zachować czujność, patrzeć, co się robi i kierować się zdrowym rozsądkiem. Nie należy używać elektronarzędzia, gdy użytkownik jest zmęczony, albo pod wpływem narkotyków, alkoholu lub leków. Chwila nieuwagi w czasie posługiwania się narzędziami elektrycznymi może spowodować poważne obrażenia.
- Należy używać środków ochrony indywidualnej i zawsze nosić okulary ochronne. Stosowanie w odpowiednich warunkach sprzętu ochronnego takiego jak np. maska przeciwpyłowa, obuwie ochronne z podeszwami antypoślizgowymi, kask lub ochronniki słuchu zmniejszy ewentualne obrażenia.
- Nie wolno dopuszczać do przypadkowego włączenia. Należy pilnować, aby przed podłączeniem narzędzia do zasilania i/lub baterii akumulatorowej oraz przed podniesieniem i

przenoszeniem przełącznik był ustawiony w pozycji „wyłączone”. Trzymanie palca na przełączniku w czasie przenoszenia narzędzi elektrycznych lub podłączania ich do zasilania, gdy przełącznik jest ustawiony w pozycji „włączone” może doprowadzić do wypadku.

- **Przed włączeniem elektronarzędzia należy usunąć wszystkie klucze regulacyjne i inne narzędzia.** Klucz zaczepony o obracającą się część narzędzia może spowodować obrażenia.
- **Nie należy sięgać za daleko. Należy zawsze dbać o utrzymanie równowagi i pewne podparcie nóg.** W nieprzewidzianych sytuacjach zapewnia to lepszą kontrolę nad narzędziem.
- **Należy nosić odpowiednią odzież. Nie powinno się nosić luźnych ubrań ani biżuterii. Włosy, odzież i rękawice należy trzymać w bezpiecznej odległości od poruszających się części.** Luźne ubrania, biżuteria lub długie włosy mogą zaczepić się o poruszające się części.
- **Jeżeli urządzenie jest wyposażone w przystawkę do odsysania i zbierania pyłu, należy pilnować, aby była ona podłączona i właściwie stosowana.** Używanie urządzeń służących do pochłaniania pyłu może zmniejszyć zagrożenia związane z pyłem.
- **Nie wolno dopuścić do tego, aby poczucie znajomości narzędzia wynikające z jego częstego używania doprowadziło do lekceważenia i ignorowania zasad bezpieczeństwa.** Jedno lekkomyślne działanie może w ułamku sekundy doprowadzić do poważnych urazów.

UŻYWANIE I KONSERWOWANIE ELEKTRONARZĘDZI

- **Elektronarzędzia nie należy forsować. Należy używać narzędzia dostosowanego do wykonywanej pracy.** Odpowiednie narzędzie elektryczne wykona pracę lepiej i bezpieczniej, gdy pozwoli mu się pracować z prędkością/obrotami do jakich zostało zaprojektowane.
- **Nie należy używać elektronarzędzia, jeżeli przełącznik zasilania nie włącza go lub nie wyłącza.** Narzędzie, którego nie da się kontrolować przełącznikiem, jest potencjalnie niebezpieczne i wymaga naprawy.
- **Przed jakąkolwiek regulacją, wymianą akcesoriów lub schowaniem elektronarzędzia należy wyjąć wtyczkę z gniazdka i/lub odłączyć od narzędzia akumulator.** Tego typu zapobiegawcze środki ostrożności zmniejszają ryzyko przypadkowego włączenia się narzędzia.
- **Nieużywane elektronarzędzia należy przechowywać w miejscu niedostępnym dla dzieci. Osobom, które nie zapoznały się z instrukcją i narzędziami nie należy pozwalać obsługiwać go.** W rękach niedoświadczonych użytkowników narzędzia elektryczne mogą stanowić zagrożenie.
- **Elektronarzędzia należy utrzymywać w dobrym stanie. Należy kontrolować, czy części ruchome nie są odchylone od osi, nie zacinają się i nie są pęknięte lub uszkodzone w inny sposób, który mógłby wpłynąć na działanie narzędzia. W razie uszkodzenia, przed użyciem należy oddać narzędzie do naprawy.** Wiele wypadków wynika ze złej konserwacji narzędzi.
- **Należy dbać o czystość i naostrzenie narzędzi tnących.** Odpowiednio utrzymywane narzędzia z ostrymi krawędziami tnącymi są mniej narażone na zakleszczanie się i łatwiej jest je kontrolować.
- **Elektronarzędzi, akcesoriów, wiertel, bitów, itp. należy używać zgodnie z niniejszą instrukcją, z uwzględnieniem warunków i rodzaju wykonywanej pracy.** Korzystanie z narzędzi niezgodnie z przeznaczeniem może prowadzić do niebezpiecznych sytuacji.
- **Należy dbać o to, aby uchwyty i powierzchnie do trzymania były suche, czyste i niezaplamione olejem lub smarem.** Śliskie uchwyty nie pozwalają w bezpieczny sposób kontrolować narzędzia w nieprzewidzianych sytuacjach.

UŻYWANIE I KONSERWOWANIE NARZĘDZI AKUMULATOROWYCH

- **Do ładowania należy używać wyłącznie ładowarki wskazanej przez producenta.** Użycie ładowarki pochodzącej od jednego akumulatora do ładowania innego akumulatora grozi pożarem.
- **Elektronarzędzi należy używać wyłącznie z przeznaczonymi do nich akumulatorami.** Użycie jakichkolwiek innych akumulatorów grozi obrażeniami i pożarem.
- **Jeżeli akumulator nie jest używany, należy go przechowywać z dala od innych przedmiotów metalowych, np. spinaczy, monet, kluczy, gwoździ, śrub i innych drobnych przedmiotów metalowych, które mogłyby spowodować zwarcie wyprowadzeń akumulatora.** Zwarcie wyprowadzeń akumulatora może doprowadzić do oparzenia lub pożaru.
- **W niesprzyjających warunkach może dojść do wycieku cieczy z akumulatora. Należy wtedy unikać wszelkiego kontaktu z tą cieczą. W razie przypadkowego kontaktu ze skórą, zabrudzone**

miejsce należy obficie przemyć wodą. Jeżeli płyn dostanie się do oczu, należy dodatkowo zasięgnąć porady lekarza. Płyn wyciekający z akumulatora może powodować podrażnienie lub oparzenia.

- Nie należy używać akumulatora lub narzędzia, które są uszkodzone lub zostały poddane przeróbkom. Uszkodzone lub zmodyfikowane akumulatory mogą zachowywać się w sposób nieprzewidywalny, co może doprowadzić do pożaru lub wybuchu lub stwarzać ryzyko urazów.
- Nie należy narażać akumulatora lub narzędzia na kontakt z ogniem lub zbyt wysokimi temperaturami. Ogień lub temperatury przekraczające 130°C mogą doprowadzić do wybuchu.
- Należy przestrzegać wszystkich instrukcji ładowania. Nie należy ładować akumulatora lub narzędzia poza przedziałem temperatur podanym w instrukcji. Ładowanie w sposób nieprawidłowy lub w temperaturze wykraczającej poza określony zakres może doprowadzić do uszkodzenia akumulatora i zwiększa ryzyko pożaru.

PL

SERWISOWANIE

- Serwisowanie elektronarzędzia należy powierzać wykwalifikowanemu serwisantowi, a do naprawy używać wyłącznie części zamiennych identycznych z oryginalnymi. Zapewni to bezpieczeństwo eksploatacji elektronarzędzia.
- Uszkodzonych akumulatorów nie należy nigdy naprawiać. Jakikolwiek czynności serwisowe przy akumulatorach powinny być wykonywane wyłącznie przez producenta lub pracowników autoryzowanego serwisu.

PRZED UŻYCIEM URZĄDZENIA NALEŻY PRZECZYTAĆ WSZYSTKIE INSTRUKCJE!

SZKOLENIE

- W następujących przypadkach nigdy nie należy pozwalać używać tego urządzenia: dzieci, osoby o ograniczeniach fizycznych, czuciowych lub psychicznych, osoby bez odpowiedniego doświadczenia lub wiedzy oraz osoby, które nie zapoznały się z niniejszą instrukcją.
- Za wypadki lub szkody wyrządzone osobom trzecim i ich własności odpowiada operator lub użytkownik.

PRZYGOTOWANIE

- Elektronarzędzie może być używane w czasie deszczu lub w warunkach wysokiego poziomu wilgoci. Po zakończeniu pracy elektronarzędzie należy wysuszyć.
- Przed użyciem należy sprawdzić przewód zasilający i przedłużacz pod kątem uszkodzenia. Nie należy używać urządzenia, jeżeli baterie lub akumulator są uszkodzone.

UŻYTKOWANIE

- Elektronarzędzie może być używane w czasie deszczu lub w warunkach wysokiego poziomu wilgoci. Po zakończeniu pracy elektronarzędzie należy wysuszyć.
- W następujących sytuacjach należy odłączyć baterie lub akumulator:
 1. Za każdym razem, gdy użytkownik zostawia maszynę;
 2. Przed usunięciem zatoru;
 3. Przed kontrolą, czyszczeniem lub wykonywaniem prac przy urządzeniu;
 4. Jeżeli urządzenie zacznie nietypowo drgać.
- Na pochyłościach należy zawsze dbać o zachowanie równowagi.
- Należy chodzić, a nie biegać.
- Należy dbać o czystość i drożność wszystkich wlotów powietrza układu chłodzenia.
- Narzędzia należy używać tylko o rozsądnych porach dnia – nie wcześniej rano i nie później wieczór, gdy mogłoby to przeszkadzać innym ludziom.
- W warunkach znacznego zapylenia zaleca się lekko zwilżać oczyszczane powierzchnie lub używać przystawki nawilżającej.

⚠ OSTRZEŻENIE: Uwaga na obracające się części!

- Należy używać pełnego przedłużenia dyszy dmuchawy, tak aby doprowadzać strumień powietrza blisko ziemi.
- Nie należy używać maszyny w pobliżu otwartych okien, itp.

KONSERWACJA I PRZECHOWYWANIE

- Należy dbać o to, aby wszystkie nakrętki, śruby i wkręty były dokręcone, tak aby urządzenie działało w sposób całkowicie bezpieczny.
- Zużyte lub uszkodzone części należy wymieniać.

- Należy używać wyłącznie oryginalnych części zamiennych i akcesoriów.
- Urządzenie należy przechowywać w suchym miejscu.

⚠ OSTRZEŻENIE: Aby ograniczyć ryzyko pożaru, porażenia prądem lub urazów:

WAŻNE

PRZED UŻYCIEM UWAŻNIE PRZECZYTAJ.

ZACHOWAJ NA PRZYSZŁOŚĆ.

- Nie należy pozwalać dzieciom używać dmuchawy jako zabawki. Używanie urządzenia przez lub w pobliżu dzieci wymaga szczególnej uwagi.
- Jeżeli dmuchawa nie działa tak, jak powinna, została upuszczona, uszkodzona lub wpadła do wody, należy ją oddać do centrum serwisowego.
- Nie należy wkładać żadnych przedmiotów do otworów. Nie wolno używać urządzenia z zapchanymi otworami. Chronić przed kurzem, kłaczkami, włosami i wszystkim, co może zmniejszać przepływ powietrza.
- Szczególną ostrożność należy zachowywać podczas sprzątania na schodach.
- Gdy wtyczka akumulatora jest włożona do narzędzia, dmuchawy nie należy zostawiać bez nadzoru. Gdy dmuchawa nie jest używana oraz przed serwisowaniem należy wyjąć z niej akumulator.
- Nie należy dotykać mokrymi rękoma ładowarki, w tym także jej wtyczki i wyprowadzeń.
- Akumulatora nie należy ładować na dworze.

⚠ OSTRZEŻENIE:

- Przed użyciem akumulator należy wyjąć z urządzenia.
- Akumulator należy zutylizować w sposób bezpieczny.

- **NIE NALEŻY** próbować odtukać urządzenia bez wcześniejszego wyjęcia z niego akumulatora.
- **Należy dbać o to, aby dmuchawa i jej uchwyt były suche, czyste i niezaplamione olejem lub smarem.** Do czyszczenia należy zawsze używać czystej ściereczki. Do czyszczenia dmuchawy nigdy nie należy stosować płynów hamulcowych, benzyny, produktów ropopochodnych lub jakichkolwiek innych silnych rozpuszczalników. Stosowanie tej zasady ograniczy ryzyko uszkodzenia plastikowej obudowy.

- **W przypadku pojawienia się źródła zapłonu takiego jak np. świeczka w podgrzewaczu do wody, akumulatory mogą wybuchnąć.** Aby ograniczyć ryzyko ciężkich urazów ciała, nigdy nie należy używać jakichkolwiek produktów bezprzewodowych w obecności otwartych płomieni. Wybuch akumulatora może spowodować wyrzucenie w powietrze odpadów i substancji chemicznych. W przypadku zetknięcia się z nimi, zabrudzone miejsce trzeba natychmiast przepłukać wodą.
- **Nigdy nie należy używać urządzenia bez zainstalowania właściwego osprzętu.** Należy zawsze pilnować, aby rura dmuchawy była zainstalowana.
- **Nigdy nie należy używać urządzenia w pobliżu ognia lub gorącego popiołu.** Używanie w pobliżu ognia lub popiołu może rozprzestrzenić ogień i doprowadzić do poważnych urazów i/lub strat materialnych.
- **Nigdy nie należy używać dmuchawy do rozpraszania chemikaliów, nawozów lub jakichkolwiek innych substancji toksycznych.** Rozpraszanie tych substancji może doprowadzić do ciężkich urazów operatora lub osób postronnych.
- **Niniejszą instrukcję należy zachować.** Zachęcamy do częstego korzystania z niej. Instrukcja może też posłużyć do przeszkolenia innych osób, które będą używały narzędzia. Aby zapobiec niewłaściwemu użytkowaniu i możliwym urazom, jeśli narzędzie zostanie komuś pożyczone, osobie tej należy również udostępnić niniejszą instrukcję.

ZACHOWAJ TĘ INSTRUKCJĘ!

SPECYFIKACJA

Napięcie	56V
Maksymalny strumień powietrza w dyszy	986 m³/h
Zalecana temperatura użytkowania	0t -15 do 40 °C
Zalecana temperatura przechowywania	0t -20 do 70 °C
Maksymalną prędkość powietrza	65m/s (bez okrągłej dyszy)
	75m/s (Z dyszą okrągłą)
Przybliżony czas działania (z akumulatorem EGO 5,0 Ah)	18 min (tryb turbo)
	30 min (duża prędkość)
	200 min (mała prędkość)
Maksymalna siła nadmuchu	18N

PL

Waga dmuchawy (bez akumulatora)	2,18 kg
Zmierzony poziom mocy akustycznej L_{WA}	94,73 dB(A) K=2,83 dB(A)
Poziom ciśnienia akustycznego przy uchu operatora L_{PA}	78,4 dB(A) K=2,5 dB(A)
Gwarantowany poziom mocy akustycznej L_{WA} (zmierzony zgodnie z dyrektywą 2000/14/WE)	98 dB(A)
Drgania a_h	0,505 m/s ² K=1,5 m/s ²

- Deklarowana całkowita wartość drgań została zmierzona zgodnie ze standardowymi metodami testowania i może służyć do porównywania różnych narzędzi.
- Deklarowana całkowita wartość drgań może również służyć do wstępnej oceny narażenia na drgania.

UWAGA: W zależności od sposobu eksploatacji, emisja wibracji podczas faktycznego użytkowania elektronarzędzia może się różnić od wartości deklarowanej. Aby chronić operatora, w rzeczywistych warunkach użytkowania użytkownik powinien nosić rękawice i naszki ochronne.

LISTA ELEMENTÓW W OPAKOWANIU

NAZWA CZĘŚCI	ILOŚĆ
Dmuchawa	1
Rura nadmuchowa	1
Nasadka na dyszę	2
Instrukcja operatora	1

OPIS

ZAPOZNANIE SIĘ Z DMUCHAWĄ (Rys. A)

1. Dysza płaska
2. Dysza okrągła
3. Rura nadmuchowa
4. Przycisk odblokowujący rurę
5. Podstawa
6. Wlot powietrza
7. Wyjmowanie akumulatora
8. Styki elektryczne
9. Zatrask

10. Przycisk odblokowywania akumulatora
11. Spust prędkości powietrza
12. Przycisk turbo
13. Pokrętko prędkość/blokada

⚠ OSTRZEŻENIE: Bezpieczne używanie tego produktu wymaga zrozumienia informacji podanych na narzędziu oraz w niniejszej instrukcji obsługi. Konieczna jest także znajomość realizowanego projektu. Przed użyciem produktu należy zapoznać się z wszystkimi jego funkcjami oraz z zasadami dotyczącymi bezpieczeństwa.

MONTAŻ

⚠ OSTRZEŻENIE: Aby zapobiec przypadkowemu włączeniu, które mogłoby spowodować urazy ciała, na czas mocowania części z narzędzia należy zawsze wyjmować akumulator. **OSTRZEŻENIE:** W przypadku braku lub uszkodzenia którejs z części nie należy uruchamiać urządzenia aż do momentu wymiany lub naprawy części. Używanie urządzenia z uszkodzonymi lub brakującymi częściami może doprowadzić do poważnych urazów ciała.

⚠ OSTRZEŻENIE: Nie należy próbować przerabiać urządzenia lub tworzyć akcesoriów, które nie są zalecane do używania w dmuchawie. Wszelkie tego typu zmiany lub modyfikacje są niedozwolone i mogą prowadzić do niebezpiecznych sytuacji oraz poważnych urazów ciała.

⚠ OSTRZEŻENIE: Aby zapobiec przypadkowemu włączeniu, które mogłoby spowodować urazy ciała, na czas mocowania części z narzędzia należy zawsze wyjmować akumulator.

ZASTOSOWANIE

Urządzenia można używać wyłącznie do celów podanych poniżej:

- Sprzątanie twardych powierzchni takich jak podjazdy i chodniki.
- Usuwanie z tarasów i podjazdów liści i igieł sosny.

UWAGA: Narzędzia należy używać tylko do celów zgodnych z przeznaczeniem. Wszelkie inne zastosowania uznaje się za niezgodne z przeznaczeniem.

ZAKŁADANIE/ZDEJMOWANIE RURY DMUCHAWY

- **Zakładanie (Rys. B&C)**
Należy wyrównać względem siebie rowki i wsunąć rurę w obudowę dmuchawy aż da się słyszeć kliknięcie.
- **Zdejmowanie (Rys. D)**
Należy nacisnąć przycisk odblokowujący rurę i wysunąć rurę.

ZAKŁADANIE/ZDEJMOWANIE DYSZY OKRĄGLEJ/ PŁASKIEJ DMUCHAWY

■ **Zakładanie (Rys. E&F)**

Dopasować rowek w końcówce rozpraszającej do pokrętła rury i wcisnąć końcówkę na rurę aż zaskoczy na miejsce.

■ **Zdejmowanie (Rys. G)**

Nacisnąć i przytrzymać przycisk zwalnający końcówkę, aby otworzyć zatrzask, następnie pociągnąć i zsunąć końcówkę z dmuchawy.

UWAGA: Aby założyć lub zdjąć dyszę płaską, należy wykonać takie same czynności.

INSTALOWANIE/WYJMOWANIE AKUMULATORA

Naładować przed pierwszym użyciem.

W urządzeniu należy używać wyłącznie akumulatorów i ładowarek podanych na rys. A.

■ **Instalowanie (Rys. H)**

Należy wyrównać żeberka akumulatora względem szczelin mocujących i wsunąć akumulator do ładowarki aż da się słyszeć kliknięcie.

■ **Wyjmowanie (Rys. I)**

Należy wcisnąć przycisk wyjmowania akumulatora i wysunąć akumulator.

⚠ OSTRZEŻENIE: Gdy użytkownik naciska przycisk wyjmowania akumulatora, należy zawsze uważać na swoje stopy oraz miejsce, w którym znajdują się dzieci i zwierzęta. Upuszczenie akumulatora może doprowadzić do poważnych urazów. NIGDY nie należy wyjmować akumulatora, gdy znajduje się on wysoko.

Rys. H – opis części patrz poniżej:

H-1	Przycisk odblokowujący akumulator	H-3	Szczelina mocująca
H-2	Żebro akumulatora		

WŁĄCZANIE/WYŁĄCZANIE DMUCHAWY (Rys. J)

■ **Tylko spust prędkości powietrza**

1. Aby włączyć dmuchawę, należy wcisnąć spust prędkości powietrza.
2. Prędkość powietrza nadmuchiwanego przez dmuchawę jest sterowana spustem z regulacją prędkości. Silniejsze wciśnięcie spustu zwiększa prędkość nadmuchiwanego powietrza; słabszy nacisk na spust powoduje zmniejszenie prędkości nadmuchu. Prędkość należy dostosować do wykonywanych prac.
3. Aby wyłączyć dmuchawę, wystarczy puścić spust prędkości powietrza.

■ **Tylko pokrętło prędkość/blokada**

Za pomocą pokrętła prędkość/blokada dmuchawę można włączyć i zablokować z dowolnym ustawieniem prędkości.

1. Aby włączyć dmuchawę, pokrętło prędkość/blokada należy przekręcić w prawo (zgodnie z kierunkiem ruchu wskazówek zegara). Im pokrętło jest bardziej przekręcone w prawo, tym większa jest prędkość nadmuchu.
2. Aby zmniejszyć prędkość powietrza, pokrętło prędkość/blokada należy przekręcić w lewo (przeciwnie do kierunku ruchu wskazówek zegara).
3. Aby wyłączyć dmuchawę, należy kręcić pokrętłem prędkość/blokada w lewo aż do pozycji „wyłączone”.

UWAGA: Jeśli przed włączeniem dmuchawy pokrętło prędkość/blokada nie zostanie przekręcone do pozycji „wyłączone”, wówczas po włożeniu naładowanej baterii dmuchawa nie włączy się poprzez pokrętło prędkość/blokada. Jest to mechanizm zabezpieczający przed przypadkowym włączeniem. Wciśnięcie spustu prędkości powietrza wyłącza zabezpieczenie.

Wciśnięcie w czasie pracy przycisku turbo powoduje chwilowe zwiększenie prędkości powietrza do maksymalnego poziomu. Gdy przycisk turbo zostanie puszczoney, dmuchawa wróci do poprzednio ustawionej prędkości.

Rys. J – opis części patrz poniżej:

J-1	Pokrętło prędkość/blokada	J-3	Spust prędkości powietrza
J-2	Przycisk turbo		

UŻYWANIE DMUCHAWY

- Aby nie rozrzucać śmieci, należy omijać strumieniem powietrza z dmuchawy zewnętrzne krawędzie kupek śmieci. Nigdy nie należy kierować strumienia powietrza bezpośrednio w środek kupki śmieci.
- Aby ograniczyć poziom hałasu, należy ograniczyć liczbę jednocześnie używanych urządzeń.
- Należy używać grabi i mioteł, aby przed użyciem dmuchawy wzruszyć zanieczyszczenia. Przy dużym zapyleniu, o ile tylko jest dostępna woda, dobrze jest lekko zwilżyć sprzątaną powierzchnię.
- Należy uważać na dzieci, zwierzęta domowe, otwarte okna i świeżo umyte samochody, zanieczyszczenia należy usuwać w bezpiecznej od nich odległości.
- Po zakończeniu używania dmuchaw i innych urządzeń, należy posprzątać. Odpady należy usunąć we właściwy sposób.

- Ponieważ silne wibracje i hałas mogą być szkodliwe dla zdrowia, nie zaleca się długotrwałego używania dmuchawy na wysokich obrotach.

KONSERWACJA

⚠ OSTRZEŻENIE: Podczas serwisowania należy używać wyłącznie części zamiennych identycznych z oryginalnymi. Używanie jakichkolwiek innych części stwarza ryzyko i może spowodować usterkę produktu. Aby zagwarantować bezpieczeństwo i niezawodność, wszystkie naprawy powinny być wykonywane przez wykwalifikowanych techników serwisu.

⚠ OSTRZEŻENIE: Aby uniknąć poważnych obrażeń ciała, na czas czyszczenia lub wykonywania prac konserwacyjnych należy zawsze wyjmować z urządzenia akumulator.

KONSERWACJA OGÓLNA

Podczas czyszczenia części plastikowych należy unikać używania rozpuszczalników. Pod wpływem kontaktu z różnego rodzaju rozpuszczalnikami dostępnymi w handlu większość tworzyw może ulec uszkodzeniu. Do usuwania zabrudzeń, kurzu, oleju, smaru itp. należy używać czystych ściereczek.

⚠ OSTRZEŻENIE: Nigdy nie należy dopuszczać do zetknięcia się części plastikowych z substancjami takimi jak płyn hamulcowy, benzyna, produkty ropopochodne, oleje penetrujące itp. Substancje chemiczne mogą uszkodzić, osłabić lub zniszczyć tworzywa, co może w konsekwencji spowodować poważne obrażenia.

PRZECHOWYWANIE

- Wyjąć akumulator z dmuchawy.
- Z dmuchawy i jej wlotów powietrza należy usunąć wszystkie zanieczyszczenia.
- Narzędzie należy przechowywać w pomieszczeniu, w miejscu niedostępnym dla dzieci. Narzędzie należy chronić przed żrącymi substancjami takimi jak chemia ogrodnicza i sól do usuwania lodu.

Ochrona środowiska



Urządzeń elektrycznych, ładowarki do akumulatorów oraz akumulatorów/baterii akumulatorowych nie należy wyrzucać do zwykłych zmieszanych śmieci domowych!

Zgodnie z dyrektywami Wspólnoty Europejskiej, odpowiednio nr 2012/19/WE i 2006/66/WE, urządzenia elektryczne i elektroniczne nienadające się dłużej do użycia oraz uszkodzone lub zużyte akumulatory/baterie trzeba zbierać oddzielnie i utylizować w sposób bezpieczny dla środowiska.

Wyrzucanie urządzeń elektrycznych na wysypisko grozi wyciekami niebezpiecznych substancji do wód gruntowych i przedostaniem się ich do łańcucha pokarmowego, ze szkodą dla zdrowia i jakości życia użytkownika.

ROZWIĄZYWANIE PROBLEMÓW

PROBLEM	PRZYCZYNA	ROZWIĄZANIE
Dmuchawa nie działa.	<ul style="list-style-type: none"> ■ Akumulator nie jest założony do dmuchawy. ■ Dmuchawa i akumulator nie kontaktują. ■ Akumulator jest rozładowany. ■ Akumulator lub dmuchawa jest zbyt gorący/-a. ■ Przed włączeniem dmuchawy pokrętko prędkość/blokada nie zostało przekręcone do pozycji „wyłączone”. 	<ul style="list-style-type: none"> ■ Włożyć akumulator do dmuchawy. ■ Wyjąć akumulator, sprawdzić styki i założyć akumulator z powrotem. ■ Naładować akumulator. ■ Ostudzić akumulator i dmuchawę do temperatury poniżej 67°C. ■ Wcisnąć spust prędkości powietrza, aby wyłączyć mechanizm zabezpieczający i włączyć dmuchawę lub najpierw przekręcić pokrętko prędkość/blokada w pozycję „wyłączone”.
Znaczny spadek prędkości powietrza.	<ul style="list-style-type: none"> ■ Przeciążenie silnika. ■ Wlot powietrza jest zapchana odpadami. 	<ul style="list-style-type: none"> ■ Skontaktować się z punktem serwisowym EGO w celu dokonania naprawy. ■ Wyjąć akumulator, wyczyścić/usunąć odpady.

GWARANCJA

POLITYKA GWARANCYJNA EGO

W celu zapoznania się z wszystkimi warunkami polityki gwarancyjnej EGO prosimy odwiedzić stronę egopowerplus.com.

PŘEČTĚTE SI VŠECHNY POKYNY!



PŘEČTĚTE SI NÁVOD K OBSLUZE

POZNÁMKA: Tyto pokyny musí být k dispozici také v jiném formátu, např. na webových stránkách.

⚠ Zbytkové riziko! Lidé s elektronickými přístroji, jako jsou např. kardiostimulátory, by se měli před použitím toho výrobku poradit se svým lékařem. Použití elektrického zařízení v těsné blízkosti kardiostimulátoru může způsobit narušení činnosti nebo poruchu kardiostimulátoru.

⚠ VAROVÁNÍ: Z důvodu bezpečnosti by měl všechny opravy a výměny provádět kvalifikovaný servisní technik.

BEZPEČNOSTNÍ SYMBOLY

Účelem bezpečnostních symbolů je upoutat vaši pozornost k případným nebezpečím. Bezpečnostní symboly a jejich vysvětlení vyžadují vaši zvýšenou pozornost a porozumění. Výstražné symboly samy o sobě nevyklučují žádné nebezpečí. Pokyny a varování nejsou náhradou vhodných opatření pro prevenci úrazů.

⚠ VAROVÁNÍ: Před použitím tohoto nástroje si přečtěte a seznamte se se všemi bezpečnostními pokyny v tomto návodu k obsluze včetně veškerých výstražných symbolů, jako např. „NEBEZPEČÍ“, „VAROVÁNÍ“ nebo „UPOZORNĚNÍ“. Nedodržení níže uvedených pokynů může mít za následek úraz elektrickým proudem, požár nebo vážná poranění osob.

PREVENCE POŠKOZENÍ A INFORMATIVNÍ ZPRÁVY

Upozorňují uživatele na důležité informace anebo pokyny, jejichž nedodržení může vést k poškození zařízení nebo jiného majetku. Každou zprávu přechází slovo „POZNÁMKA“ jako v následujícím příkladu:

POZNÁMKA: Nedodržení těchto pokynů může vést k poškození zařízení anebo majetku.



⚠ VAROVÁNÍ: Při použití elektrického nářadí může dojít k vyvrstvení cizích těles do očí, což může způsobit jejich závažné poškození. Před použitím elektrického nářadí si vždy nasadte ochranné brýle, ochranné brýle s bočními kryty nebo v případě potřeby obličejový štít. Na brýle nebo standardní ochranné brýle s bočními kryty doporučujeme použít ochrannou masku.

BEZPEČNOSTNÍ POKYNY

Na této stránce jsou zobrazeny a popsány bezpečnostní symboly, které se mohou objevit na výrobku. Před montáží a provozem si přečtěte, seznamte se a dodržujte veškeré pokyny ke stroji.

	Bezpečnostní upozornění	Bezpečnostní opatření týkající se vaší bezpečnosti.
	Používejte ochrannou oči	Vždy noste ochranné brýle, ochranné brýle s bočními kryty nebo obličejový štít při použití tohoto výrobku.
	Používejte chrániče sluchu	Při práci s tímto výrobkem vždy používejte chrániče sluchu.
	Přečtěte si návod k obsluze	Z důvodu snížení rizika úrazu si musí uživatel před použitím tohoto výrobku přečíst návod k obsluze.
	Udržujte ostatní osoby v bezpečné vzdálenosti	Udržujte ostatní osoby ve vzdálenosti aspoň 15m.
V	Voltů	Napětí
A	Ampérů	Proud
Hz	Hertzů	Frekvence (počet cyklů za sekundu)
W	Wattů	Výkon
min	Minut	Doba
m ³ /h	Metr krychlový za hodinu	Objem vzduchu
km/h	Kilometry za hodinu	Rychlost vzduchu
	Střídavý proud	Druh proudu
	Stejnosměrný proud	Druh nebo vlastnosti proudu
n ₀	Rychlost při chodu naprázdno	Otáčky při chodu naprázdno
... /min	Za minutu	Otáčky za minutu

Při používání elektrických zařízení je nutno vždy dodržovat základní bezpečnostní opatření, mimo jiné:

OBECNÁ BEZPEČNOSTNÍ VAROVÁNÍ PRO PRÁCI S ELEKTRICKÝM NÁŘADÍM

▲ VAROVÁNÍ: PŘEČTĚTESI VŠECHNY BEZPEČNOSTNÍ VÝSTRAHY, POKYNY, ILUSTRACE A TECHNICKÉ ÚDAJE DODANÉ S TÍMTO ELEKTRICKÝM NÁŘADÍM. Nedodržení všech níže uvedených pokynů může vést k úrazu elektrickým proudem, požáru a/nebo vážnému úrazu

VŠECHNA VAROVÁNÍ A POKYNY SI USCHOVEJTE PRO BUDOUCÍ POUŽITÍ.

Termín „elektrické nářadí“ ve varováních odkazuje na vaše elektrické (s kabelem) nebo akumulátorové (bez kabelu) elektrické nářadí.

BEZPEČNOST NA PRACOVIŠTI

- **Udržujte své pracoviště čisté a zajistěte dostatečné osvětlení.** Zaneřáděné a tmavé prostory bývají častou příčinou úrazů.
- **Elektrické nástroje/přístroje neprovozujte ve výbušném prostředí, jako například s výskytem hořlavých kapalin, plynů nebo prachu.** Elektrické nástroje a přístroje totiž produkují jiskru, která může zapálit prach nebo výpary.
- **Při práci s elektrickým nářadím udržujte děti a ostatní osoby v bezpečné vzdálenosti.** Nesoustředěnost může způsobit ztrátu kontroly.

ELEKTRICKÁ BEZPEČNOST

- **Zástrčky elektrického nářadí musí odpovídat zásuvkám.** Zástrčku nikdy nijak neupravujte. S uzemněným elektrickým nářadím nepoužívejte žádné rozbočovací zásuvky. Neupravené zástrčky a shodné zásuvky snižují riziko úrazu elektrickým proudem
- **Vyhýbejte se kontaktu s uzemněnými plochami, například trubkami, radiátory, sporáky a lednicemi.** Pokud jste uzemněni, hrozí vám vyšší riziko úrazu elektrickým proudem.
- **Elektrické nářadí chraňte před deštěm a vlhkem.** Voda vnikající do elektrického nářadí zvyšuje riziko úrazu elektrickým proudem.
- **Kabel nepoužívejte k jiným účelům. Nikdy nepoužívejte kabel k přenášení, tahání nebo odpojování elektrického nářadí z elektrické sítě. Kabely chraňte před horkem, olejem, ostrými hranami nebo pohyblivými díly.** Poškozené nebo spletené kabely zvyšují riziko úrazu elektrickým proudem.

- **Pokud používáte elektrické nářadí venku, použijte prodlužovací kabel vhodný pro venkovní použití.** Použití kabelu vhodného pro venkovní použití snižuje riziko úrazu elektrickým proudem.
- **Pokud musíte s elektrickým nářadím pracovat ve vlhkém prostředí, použijte napájení chráněné zemním jističem.** Použití přerušovače zemního obvodu (GFCI) snižuje riziko úrazu elektrickým proudem.

BEZPEČNOST OSOB

- **Zůstaňte pozorní, sledujte, co děláte, a při práci s elektrickým nářadím buďte soudní. Elektrické nářadí nepoužívejte, jste-li unavení, pod vlivem návykových látek, alkoholu nebo léků.** Jediná chvilka nepozornosti při práci s elektrickým nářadím může mít za následek vážný úraz.
- **Používejte osobní ochranné pomůcky. Vždy používejte ochranu očí.** Ochranné pomůcky, jako například respirátor, protiskluzová bezpečnostní obuv, pevná přilba nebo chrániče sluchu používané ve vhodném prostředí sniží riziko úrazu.
- **Zabraňte neúmyslnému spuštění. Dbejte, aby byl při zapojení do elektrické sítě anebo k akumulátoru, zdvihnutí nebo přenášení elektrického nářadí spínač v poloze vypnuto.** Přenášení elektrického nářadí s prstem na spínači, nebo zapojování elektrického nářadí, které má zapnutý spínač, může snadno způsobit nehodu či úraz.
- **Před zapnutím elektrického nářadí odstraňte stavěcí klíny nebo klíče.** Klíč nebo klín, který zůstane na rotující části elektrického zařízení, může způsobit úraz.
- **Nepřeceňujte své síly. Vždy udržujte pevný postoj a rovnováhu.** Umožní vám to lepší ovládání elektrického nářadí v nečekaných situacích.
- **Používejte vhodný oděv. Nenoste volný oděv ani šperky. Vlasy, oděv a rukavice chraňte před pohyblivými díly.** Volný oděv, šperky nebo dlouhé vlasy se mohou zachytit do pohyblivých se dílů.
- **Pokud jsou zařízení vybavena přípojkami pro zařízení k odsávání a sběr prachu, zajistěte, aby tato byla připojena a řádně používána.** Použití zařízení k odsávání prachu může snížit rizika spojená s prachem.
- **Nedovoďte, abyste se po získání zkušeností častým používáním nástrojů stali neobezřetnými a ignorovali zásady bezpečnosti.** Nedbalá činnost může způsobit vážné zranění za zlomek sekundy.

GZ

POUŽITÍ A PÉČE O ELEKTRICKÉ NÁŘADÍ

- **Elektrické nářadí nepřetěžujte. K práci používejte vhodné elektrické nářadí.** Správné elektrické nářadí vykoná práci lépe a bezpečněji rychleji, pro niž je navrženo.
- **Nepoužívejte elektrické nářadí v případě, že vypínač nefunguje.** Jakékoliv elektrické nářadí, které nelze ovládat spínačem, je nebezpečné a musí se opravit.
- **Před prováděním úprav, výměnou příslušenství nebo uskladněním elektrického nářadí odpojte zástrčku od elektrické sítě anebo vyjměte akumulátor.** Tato preventivní opatření snižují riziko neúmyslného spuštění elektrického nářadí.
- **Nepoužívané elektrické nářadí uchovávejte mimo dosah dětí a nenechte s elektrickým nářadím pracovat osoby, které se neseznámily s elektrickým nářadím nebo těmito pokyny.** Elektrické nářadí se v rukou nekalifikovaných osob stává nebezpečným.
- **Údržba elektrického nářadí.** Kontrolujte případnou nesouosost nebo ohyb pohybujících se částí, narušení dílů a ostatní podmínky, které mohou ovlivnit provoz elektrického nářadí. V případě poškození nechejte elektrické nářadí před použitím opravit. Řada nehod je způsobena nedostatečně udržovaným elektrickým nářadím.
- **Řezné nástroje udržujte ostré a čisté.** Řádně udržované řezné nástroje s ostrými řeznými hranami nemají tendenci se ohýbat a snadněji se ovládají.
- **Elektrické nářadí, příslušenství, nástavce nástrojů atd. používejte v souladu s těmito pokyny a s přihlédnutím k pracovním podmínkám a vykonávané práci.** Používání elektrického nářadí k činnostem, pro které není určeno, může vést k nebezpečným situacím.
- **Udržujte rukojeti a uchopovací plochy suché, čisté, bez oleje a maziva.** Kluzké držadla a uchopovací plochy neumožňují bezpečnou manipulaci s nástrojem a jeho ovládání v nečekaných situacích.

POUŽITÍ A PÉČE O AKUMULÁTOROVÉ NÁŘADÍ

- **K nabíjení používejte pouze nabíječku doporučenou výrobcem.** Nabíječka vhodná pro jeden typ akumulátoru může způsobit požár při použití s jiným typem akumulátoru.
- **Elektrické nářadí používejte výhradně se specifikovanými akumulátory.** Použití jiných akumulátorů může způsobit riziko úrazu nebo požáru.
- **Pokud akumulátor nepoužíváte, uchovávejte jej v bezpečné vzdálenosti od kovových předmětů jako jsou např. kancelářské sponky, mince, klíče, hřebíky, šrouby nebo jiné malé kovové předměty,**

kteří mohou propojit jednotlivé póly. Zkrat pólů akumulátoru může způsobit popáleniny nebo požár.

- **V nepříznivých podmínkách může dojít k úniku tekutiny z akumulátoru; vyhněte se styku s ní.** Pokud dojde k neúmyslnému styku, opláchněte místo vodou. Pokud dojde k zasažení očí, vyhledejte navíc lékařské ošetření. Kapalina unikající z akumulátoru může způsobit podráždění nebo popáleniny.
- **Nepoužívejte akumulátor nebo nástroj, který je poškozen nebo upraven.** Poškozené nebo upravené baterie se mohou chovat nepředvídatelně, což může vést k požáru, výbuchu nebo nebezpečí zranění.
- **Nevystavujte akumulátor ani nástroj ohni nebo nadměrné teplotě.** Při vystavení ohni nebo teplotě nad 130 °C může dojít k výbuchu.
- **Dodržujte všechny pokyny pro nabíjení a nenabíjejte baterii nebo nástroj mimo rozsah teplot uvedených v pokynech.** Nesprávné nabíjení nebo při teplotách mimo stanovený rozsah může poškodit akumulátor a zvýšit riziko požáru.

SERVIS

- **Svěřte opravu vašeho elektrického nářadí kvalifikované osobě používající pouze shodné náhradní díly.** Tím zajistíte bezpečnost elektrického nářadí.
- **Nikdy neopravujte poškozené akumulátory.** Servis akumulátorů smí provádět pouze výrobce nebo autorizovaní poskytovatelé služeb.

PŘED POUŽITÍM TOHOTO VÝROBKU SI PŘEČTĚTE VŠECHNY POKYNY!

ŠKOLENÍ

- **Přístroj nesmí používat děti, osoby se sníženým fyzickými, smyslovými nebo duševními schopnostmi nebo s nedostatečnými zkušenostmi a znalostmi nebo osoby, které se neseznámily s těmito pokyny.**
- **Obsluha nebo uživatel je zodpovědný za nehody nebo ohrožení jiných osob nebo jejich majetku.**

PŘÍPRAVA

- **Elektrické nářadí může být použito v dešti nebo za mokra. Po ukončení práce vysušte nářadí.**
- **Před použitím zkontrolujte, zda nejsou baterie nebo akumulátory poškozené.** Zařízení nepoužívejte, pokud jsou baterie nebo akumulátory poškozené.

POUŽITÍ

- Elektrické nářadí může být použito v dešti nebo za mokra. Po ukončení práce vysušte nářadí.
- Odpojte baterie nebo akumulátory:
 1. Kdykoliv od stroje odchází;
 2. Před odstraněním překážky;
 3. Před kontrolou, čištěním nebo prací na zařízení;
 4. Pokud začne zařízení neobvykle vibrovat.
- Ve svahu vždy dbejte na pevný postoj.
- Krácejte, nikdy neběhejte.
- Všechny přívody vzduchu udržujte v čistotě.
- Doporučujeme používat stroj pouze ve vhodnou dobu – nikdy ne brzy ráno nebo pozdě v noci, kdy by to mohlo ostatní rušit.
- V prašném prostředí doporučujeme povrch mírně navlhčit, nebo použít rozprašovací nástavec.

⚠ VAROVÁNÍ: Nebezpečné rotující části!

- Použijte kompletní nástavec trysky foukače, aby mohl proud vzduchu pracovat blízko u země.
- Stroj nepoužívejte v blízkosti otevřených oken atd.

ÚDRŽBA A SKLADOVÁNÍ

- Řádně utahujte všechny šrouby a matice pro zajištění bezpečného provozního stavu zařízení.
- Opotřebené nebo poškozené díly vyměňte.
- Používejte pouze originální náhradní díly a příslušenství.
- Zařízení skladujte pouze v suchu.

⚠ VAROVÁNÍ: Pro snížení rizika vzniku požáru, úrazu elektrickým proudem, nebo úrazu:

DŮLEŽITÉ

ČTĚTE PEČLIVĚ PŘED POUŽITÍM.

USCHOVEJTE PRO BUDOUCÍ POUŽITÍ.

- Foukač není hračkou pro děti. Děti mohou zařízení používat pouze pod dohledem dospělé osoby.
- Pokud foukač nefunguje, jak by měl, upadl, byl poškozen, nebo upadl do vody, zašlete jej do servisního střediska.
- Do otvorů nevkládejte žádné předměty. Nepoužívejte se zakrytými otvory; udržujte otvory bez prachu, chuchvalců, vlasů a dalších nečistot, které by mohly omezit proud vzduchu.


- Při čištění schodů dbejte zvýšené opatrnosti.
- Nenechávejte foukač bez dozoru, pokud je v něm zapojena zástrčka akumulátoru. Pokud foukač nepoužíváte, nebo provádíte servis, vyjměte akumulátor.
- Nedotýkejte se nabíječky, zástrčky ani kontaktů nabíječky mokryma rukama.
- Akumulátor nenabíjejte venku.

⚠ VAROVÁNÍ:

- Před likvidací vyjměte ze zařízení akumulátor.
- Akumulátor likvidujte bezpečným způsobem.
- **NEPOKOUŠEJTE** se odstranit překážky ze zařízení, aniž byste nejprve vyjmuli akumulátor.
- **Udržujte foukač a jeho rukojeti suché, čisté, bez oleje a maziva.** Při čištění vždy používejte čistý hadr. K čištění foukače nikdy nepoužívejte brzdové kapaliny, benzin, produkty na bázi ropy nebo silná rozpouštědla. Dodržování této zásady sníží riziko ztráty kontroly a poškození plastu krytu.
- **V přítomnosti zdroje vznícení, jako je např. hořák, mohou akumulátory vybuchnout.** Z důvodu snížení rizika vážného úrazu nikdy nepoužívejte akumulátorové výrobky v přítomnosti otevřeného ohně. Akumulátor, který vybuchne, může vymrštit úlomky nebo chemické látky. V případě zasažení okamžitě postižené místo omyjte vodou.
- **Nikdy jednotku nespouštějte bez instalace správného vybavení.** Vždy dbejte, aby byla instalovaná trubice foukače.
- **Foukač nikdy nepoužívejte v blízkosti ohně nebo horkého popela.** Použití v blízkosti ohně nebo popela může rozšířit oheň a vést v vážnému úrazu anebo poškození majetku.
- **Nikdy nepoužívejte foukač k aplikaci chemických látek, hnojiv nebo jiných toxických látek.** Aplikace těchto látek může vést k vážnému úrazu obsluhy nebo dalších osob.
- **Tyto pokyny uschovejte pro budoucí použití.** Používejte je často a také k poučení dalších osob, které mohou toto nářadí používat. Pokud nářadí někomu půjčíte, půjčte mu také tento návod k obsluze, aby nedošlo k nesprávnému použití výrobků nebo případně k úrazu.

ULOŽTE SI TYTO POKYNY!

SPECIFIKACE

Napětí	56V 
Maximální objem vzduchu na trysce	986 m ³ /h
Doporučená provozní teplota	От -15 до 40 °C
Doporučená skladovací teplota	От -20 до 70 °C
Maximální rychlosti vzduchu	65m/s (bez kulaté trysky)
	75m/s (S kulatou tryskou)
Přibližná doba provozu (s 5,0 Ah akumulátorem EGO)	18 min (Zvýšení výkonu)
	30 min (Vysoká rychlost)
	200 min (Nízká rychlost)
Maximální síla foukače	18N
Hmotnost foukače (bez akumulátoru)	2,18 kg
Měřená hladina akustického výkonu L _{WA}	94,73 dB(A) K=2,83 dB(A)
Hladina akustického tlaku na sluch obsluhy L _{PA}	78,4 dB(A) K=2,5 dB(A)
Zaručená úroveň akustického výkonu L _{WA} (měřeno podle směrnice 2000/14/ES)	98 dB(A)
Vibrace a _h	0,505 m/s ² K=1,5 m/s ²

- Celková deklarovaná hodnota vibrací byla naměřena podle standardní zkušební metody a lze ji použít ke srovnání s jiným nářadím;
- Celkovou deklarovanou hodnotu vibrací lze použít také k předběžnému stanovení expozičních limitů.

POZNÁMKA: Emise vibrací při konkrétním použití elektrického nářadí se mohou lišit od deklarované hodnoty, při které se nářadí používá; z důvodu ochrany provozovatele by měl uživatel ve skutečných pracovních podmínkách nosit rukavice a chrániče sluchu.

OBSAH BALENÍ

NÁZEV DÍLU	MNOŽSTVÍ
Foukač	1
Trubice foukače	1
Tryskový nástavec	2

Návod k obsluze	1
-----------------	---

POPIS

SEZNAMTE SE SE SVÝM FOUKAČEM (obr. A)

1. Tlačítko pro uvolnění akumulátoru
2. Rukojeť s krytem
3. Spoušť
4. Pojistka ovladače rychlosti vzduchu
5. Tlačítko pro uvolnění trubice
6. Trubice foukače
7. Tlačítko uvolnění rozmetací trysky
8. Rozmetací tryska
9. Přívod vzduchu
10. Uvolňovací mechanismus
11. Instalační drážka
12. Elektrické kontakty
13. Západka
14. Upevnění ramenního popruhu

VAROVÁNÍ: Bezpečné používání tohoto výrobku vyžaduje seznámení s informacemi na nářadí a v tomto návodu k obsluze a také s projektem, na kterém pracujete. Před použitím výrobku se seznáme se všemi provozními funkcemi a bezpečnostními zásadami.

MONTÁŽ

VAROVÁNÍ: Pokud jsou některé díly poškozené, nebo chybí, nepoužívejte výrobek, dokud se díly nevymění. Použití tohoto výrobku s poškozenými nebo chybějícími díly může vést k vážnému úrazu.

VAROVÁNÍ: Nepokoušejte se výrobek upravovat ani vytvářet příslušenství, které se k tomuto foukači nedoporučuje. Každá taková změna nebo úprava je nesprávná a může vést k nebezpečné situaci, která může zapříčinit vážný úraz.

VAROVÁNÍ: Aby nedošlo k neúmyslnému spuštění, které může způsobit vážný úraz, vždy vyjměte akumulátor, pokud provádíte montáž dílů.

POUŽITÍ

Výrobek lze použít k následujícím účelům:

- Čištění pevných povrchů, jako např. příjezdových cest a chodníků.
- Udržování ploch a příjezdových cest bez listů a jehličí.

POZNÁMKA: Nářadí se smí používat pouze k vyhrazenému účelu. Jakékoliv jiné použití se považuje za nesprávné.

MONTÁŽ/SEJMUTÍ TRUBICE FOUKAČE

■ **Montáž (obr. B&C)**

Srovnejte drážku a tlačte trubici na foukač, dokud neuslyšíte „kliknutí“.

■ **Sejmutí (obr. D)**

Stiskněte tlačítko pro uvolnění trubice a sejmete ji.

MONTÁŽ / ODSTRANĚNÍ ROZMETACÍ TRYSKY DMYCHADLA

■ **Montáž (obr. E&F)**

Srovnejte drážku v rozmetací trysce s knoflíkem trubice a zatlačte trysku do trubice, dokud nezapadne na místo.

■ **Odstranění (obr. G)**

Stiskněte a podržte tlačítko uvolnění trysky pro uvolnění západky a vytáhněte trysku přímo z dmychadla.

POZNÁMKA: Při montáži nebo demontáži ploché trysky postupujte stejným způsobem.

INSTALACE/VYJMUTÍ AKUMULÁTORU

Před prvním použitím akumulátor nabijte.

■ **Instalace (obr. H)**

Srovnejte žebrování akumulátoru s instalačními drážkami a tlačte baterii dokud neuslyšíte „kliknutí“.

■ **Vyjmutí (obr. I)**

Stiskněte tlačítko pro uvolnění akumulátoru a vytáhněte jej.

VAROVÁNÍ: Při stisku tlačítka pro uvolnění akumulátoru dávejte pozor na nohy, děti nebo domácí zvířata. Pokud akumulátor upadne, může dojít k vážnému úrazu. NIKDY nevyjímejte akumulátor ve zdvižené poloze.

Obr. H s popisem dílů:

H-1	Tlačítko pro uvolnění baterie	H-3	Montážní otvor
H-2	Žebrování akumulátoru		

SPUŠTĚNÍ/VYPNUTÍ FOUKAČE (obr. J)

■ **Pouze spoušť pro ovládání proudění vzduchu**

1. Zmáčknete spoušť pro ovládání proudění vzduchu pro zapnutí foukače.

2. Proudění vzduchu je řízeno spouští s proměnlivou rychlostí. Vyšší tlak na spoušť způsobuje vyšší rychlost foukání; menší tlak na spoušť má za následek nižší rychlost foukání. Nastavte rychlost tak, aby vyhovovala úkolu.

3. Uvolněte spoušť pro ovládání proudění vzduchu pro vypnutí foukače.

■ **Pouze ovladač rychlost / pojistka**

Foukač lze zapnout a zastavit na libovolné rychlosti pomocí ovladače rychlost / pojistka.

1. Otočte ovladač rychlost / pojistka ve směru hodinových ručiček pro spuštění foukače. Rychlost vzduchu se zvýší, protože otočný knoflík se otáčí ve směru hodinových ručiček.

2. Chcete-li snížit rychlost vzduchu, otáčejte otočným kolečkem proti směru hodinových ručiček.

3. Otáčejte ovladač rychlost / pojistka proti směru hodinových ručiček do polohy vypnuto pro vypnutí foukače.

POZNÁMKA: Foukač se nespustí pomocí ovladače rychlost / pojistka, pokud se ovladač rychlost / pojistka nevrátí do vypnuté polohy před jeho zapnutím. Toto je ochranná funkce, která zabraňuje náhodnému uvedení do provozu. Stisknutí přepínače rychlosti vzduchu může vypnout ochranu.

Stiskněte tlačítko zvýšení výkonu pro dočasné zvýšení rychlosti vzduchu na maximální úroveň. Foukač bude pokračovat v předem navolené rychlosti po uvolnění tlačítka zvýšení výkonu.

Obr. J s popisem dílů:

J-1	Ovladač rychlost / pojistka	J-3	Spoušť pro ovládání proudění vzduchu
J-2	Tlačítko zvýšení výkonu		

OBSLUHA FOUKAČE

■ Aby se nečistoty nerozptýlily, foukejte kolem vnějšího okraje hromady nečistot. Nikdy nefoukejte přímo do středu hromady.

■ Chcete-li snížit hladinu hluku, omezte počet kusů použitého vybavení.

■ K uvolnění nečistot před foukáním použijte hrábě a košťata. V prašném prostředí povrch lehce navlhčete, pokud máte k dispozici vodu.

- Dávejte pozor na děti, domácí zvířata, otevřená okna nebo čerstvě umytá auta a foukejte nečistoty bezpečně jiným směrem.
- Po použití foukačů nebo jiného zařízení uklidte! Nečistoty řádně správně zlikvidujte.
- Nedoporučujeme používat foukač s vysokou rychlostí po dlouhou dobu, protože velké vibrace a hluk mohou být škodlivé pro vaše zdraví.

ÚDRŽBA

⚠ VAROVÁNÍ: Při opravách používejte pouze originální náhradní díly. Použití jiných dílů může být rizikem nebo způsobit poškození výrobku. Z důvodu bezpečnosti by měl všechny opravy provádět kvalifikovaný servisní technik.

⚠ VAROVÁNÍ: Aby nedošlo k vážnému úrazu, vždy při čištění nebo jiné údržbě vyjměte z výrobku akumulátor.

=CELKOVÁ ÚDRŽBA

K čištění plastových dílů nepoužívejte rozpouštědla. Většina plastů je náchylná k poškození různými typy komerčních rozpouštědel a jejich použití ji může poškodit. K odstranění nečistot, prachu, oleje, maziva atd. použijte čistý hadr.

⚠ VAROVÁNÍ: Dbejte, aby nikdy nedošlo ke styku plastových částí s brzdovými kapalinami, benzinem, ropnými produkty, penetračními oleji atd. Chemické látky mohou poškodit, zeslabit nebo poškodit plast, což může vést k vážnému úrazu.

SKLADOVÁNÍ

- Vyjměte akumulátor z foukače.
- Odstraňte všechny nečistoty z přívodů vzduchu foukače.
- Foukač skladujte v interiéru, na místě, které je mimo dosah dětí. Uchovávejte jej v bezpečné vzdálenosti od korozivních látek, jako jsou chemické látky a rozmrazovací soli.

Ochrana životního prostředí



Elektrické zařízení, nabíječku a baterie/ nabíjecí baterie nevhazujte do domovního odpadu!

Podle směrnice Evropského parlamentu a Rady 2012/19/EU se musí odpadní elektrická a elektronická zařízení a podle směrnice 2006/66/ES vadné nebo použité akumulátory/baterie sbírat odděleně a likvidovat ekologicky.

Pokud se elektrická zařízení likvidují na zavážkách nebo skládkách, mohou do podzemní vody prosáknout nebezpečné látky, dostat se do potravního řetězce a poškodit tak vaše zdraví a zdravotní stav.

ODSTRAŇOVÁNÍ PROBLÉMŮ

PROBLÉM	PŘÍČINA	ŘEŠENÍ
Foukač nefunguje.	<ul style="list-style-type: none"> ■ K foukači není připojen akumulátor. ■ Bez elektrického kontaktu mezi foukačem a akumulátorem. ■ Akumulátor je vybitý. ■ Akumulátor foukače je příliš horký. ■ Ovladač rychlost / pojistka nebyl před zapnutím foukače v poloze vypnuto. 	<ul style="list-style-type: none"> ■ Nasaďte akumulátor na foukač. ■ Vyměňte akumulátor, zkontrolujte póly a znovu jej nainstalujte. ■ Nabijte akumulátor. ■ Chlaďte akumulátor a foukač, dokud teplota neklesne pod 67 °C. ■ Stiskněte spoušť pro ovládání proudění vzduchu k deaktivaci ochrany a zapněte foukač nebo nejprve otočte ovladač rychlost / pojistka do vypnuté polohy.
Rychlost vzduchu se výrazně snižuje.	<ul style="list-style-type: none"> ■ Nadměrné opotřebení rotoru motoru. ■ Přívod vzduchu je zablokovaný nečistotami. 	<ul style="list-style-type: none"> ■ S opravou kontaktujte servisní středisko společnosti EGO. ■ Vyměňte akumulátor, odstraňte nečistoty.

ZÁRUKA

ZÁRUKA SPOLEČNOSTI EGO

Úplné záruční podmínky společnosti EGO naleznete na webové stránce egopowerplus.com.

CZ

PREČÍTAJTE SI VŠETKY POKYNY!



PREČÍTAJTE SI NÁVOD NA OBSLUHU

POZNÁMKA: Tieto pokyny sú tiež k dispozícii aj v inom formáte, napr. na internetových stránkach.

⚠ Potenciálne riziká! Ľudia s elektronickými zariadeniami, ako sú napríklad kardiostimulátory, sa musia pred použitím tohto výrobku poradiť so svojim lekárom. Použitie elektrických zariadení v tesnej blízkosti kardiostimulátora by mohlo spôsobiť rušenie alebo zlyhanie kardiostimulátora.

⚠ VAROVANIE: Pre zaistenie bezpečnosti a spoľahlivosti je nevyhnutné, aby všetky opravy a výmeny vykonával len kvalifikovaný servisný technik.

BEZPEČNOSTNÉ SYMBOLY

Účelom bezpečnostných symbolov je upozorniť vás na možné nebezpečenstvá. Venujte príslušnú pozornosť a pochopte bezpečnostné symboly a ich vysvetlenia. Varovné symboly, samy o sebe, nedokážu eliminovať nebezpečenstvo. Pokyny a varovania, ktoré obsahujú, nie sú náhradou za vhodné opatrenia na prevenciu úrazov.

⚠ VAROVANIE: Pred použitím tohto nástroja si prečítajte a pochopte všetky bezpečnostné pokyny v tomto návode na obsluhu, vrátane všetkých bezpečnostných výstražných symbolov, ako sú „**NEBEZPEČENSTVO**“, „**VAROVANIE**“ a „**UPOZORNENIE**“. Nedodržanie nižšie uvedených pokynov môže mať za následok úraz elektrickým prúdom, požiar a / alebo vážne zranenie.

PREVENCIA POŠKODENIA A INFORMAČNÉ OZNAMY

Informujú používateľa o dôležitých informáciách a / alebo pokynoch, ktorých nedodržanie by mohlo viesť k poškodeniu zariadenia alebo k iným škodám. Každý oznam predchádza slovo „**POZNÁMKA**“, ako je uvedené v nasledujúcom príklade:

POZNÁMKA: Môže dôjsť k poškodeniu zariadenia a / alebo majetku, ak tieto pokyny nie sú dodržiavané.



⚠ VAROVANIE: Prevádzka akéhokoľvek elektrického náradia môže viesť k vymršteniu cudzích predmetov do vašich očí, čo môže spôsobiť vážne poškodenie zraku. Skôr, ako začnete používať elektrické náradie, si vždy nasadte ochranné okuliare alebo ochranné okuliare s postrannými krytmi a prípadne celotvárový štít. Odporúčame použiť bezpečnostnú masku so širokým prierezom cez okuliare alebo štandardné bezpečnostné okuliare s postrannými krytmi.

BEZPEČNOSTNÉ POKYNY

Táto strana zobrazuje a popisuje bezpečnostné symboly, ktoré sa objavujú na tomto výrobku. Pred pokusom o zostavenie a prevádzkovanie si prečítajte, pochopte a dodržiavajte všetky pokyny na stroji.

	Bezpečnostné upozornenie	Opatrenia, ktoré sa týkajú vašej bezpečnosti.
	Používajte ochranu zraku.	Pri práci s týmto výrobkom vždy noste ochranné okuliare alebo ochranné okuliare s postrannými krytmi a celotvárový štít.
	Používajte ochranu sluchu.	Pri práci s týmto výrobkom vždy používajte ochranu sluchu.
	Prečítajte si návod na obsluhu.	Ak chcete znížiť riziko zranenia, používateľ musí pred použitím tohto výrobku prečítať návod na obsluhu.
	Udržiavajte okolostojace osoby v bezpečnej vzdialenosti.	Udržiavajte okolostojace osoby vo vzdialenosti aspoň 15m.
V	Volt	Napätie
A	Ampéry	Prúd
Hz	Hertz	Frekvencia (cyklov za sekundu)
W	Watt	Výkon
min	Minúty	Čas
m ³ /h	Meter kubický za hodinu	Objem vzduchu

SK

km/h	Kilometre za hodinu	Rýchlosť vzduchu
	Striedavý prúd	Typ prúdu
	Jednosmerný prúd	Typ alebo charakteristika prúdu
n_0	Rýchlosť bez zataženia	Rýchlosť otáčania, bez zátáže
... /min	Za minútu	Otáčky za minútu

Pri používaní elektrického spotrebiča sa musia dodržiavať základné bezpečnostné opatrenia, vrátane nasledovných:

VŠEOBECNÉ BEZPEČNOSTNÉ POKYNY PRE ELEKTRICKÉ NÁRADIE

VAROVANIE: PREČÍTAJTE SI VŠETKY BEZPEČNOSTNÉ VÝSTRAHY, POKYNY, ILUSTRÁCIE A TECHNICKÉ ÚDAJE DODANÉ S TÝMTO ELEKTRICKÝM NÁSTROJOM. Nedodržanie nižšie uvedených pokynov môže mať za následok úraz elektrickým prúdom, požiar a/alebo vážne zranenie.

ODLOŽTE SI VŠETKY VAROVANIA A POKYNY PRE BUDÚCE POUŽITIE.

Termín „elektrické náradie“ vo varovaniach znamená váš elektrický prístroj zapojený (cez kábel) do prívodu elektrickej energie alebo napájaný (bezdrôtovo) z batérie.

BEZPEČNOSŤ PRACOVISKA

- **Udržiavajte pracovisko čisté a dobre osvetlené.** Neporiadok a tmavé priestory vedú k úrazom.
- **Nepoužívajte elektrické náradie vo výbušnom prostredí, napríklad v prítomnosti horľavých kvapalín, benzínu alebo prachu.** Elektrické náradie vytvára iskry, ktoré môžu zapáliť prach alebo výpary.
- **Pri používaní elektrického náradia udržiavajte deti a okolostojace osoby mimo pracoviska.** Pri rozptyľovaní môžete stratiť kontrolu.

ELEKTRICKÁ BEZPEČNOSŤ

- **Pripojovacia zástrčka musí zodpovedať zásuvke.** Nikdy neupravujte zástrčku akýmkoľvek spôsobom. **Nepoužívajte žiadne rozbočovacie zástrčky s uzemneným elektrickým náradím.** Neupravené zástrčky a príslušné zásuvky obmedzia nebezpečenstvo úrazu elektrickým prúdom.
- **Zabráňte kontaktu tela s uzemnenými povrchmi, ako sú rúry, radiátory, sporáky a chladničky.** Dochádza k zvýšeniu rizika úrazu elektrickým prúdom, ak je vaše telo uzemnené.

- **Nevystavujte elektrické náradie dažďu alebo vlhkým podmienkam.** Voda vniknutá do elektrického náradia zvyšuje nebezpečenstvo úrazu elektrickým prúdom.
- **Nezaťažujte kábel. Nikdy nepoužívajte kábel na nosenie, ťahanie alebo odpájanie náradia.** Udržujte kábel v dostatočnej vzdialenosti od zdrojov tepla, oleja, ostrých hrán alebo pohyblivých častí. Poškodené alebo zamotané káble zvyšujú riziko úrazu elektrickým prúdom.
- **Ak pracujete s elektrickým náradím vonku, použite predlžovací kábel vhodný na vonkajšie použitie.** Použitie kábla vhodného na vonkajšie použitie znižuje riziko úrazu elektrickým prúdom.
- **Ak je používanie elektrického náradia vo vlhkom prostredí nevyhnutné, použite napájanie chránené uzemneným prúdovým chráničom.** Použitie uzemneného prúdového chrániča znižuje riziko úrazu elektrickým prúdom.

BEZPEČNOSŤ OSÔB

- **Buďte pozorní, sledujte to, čo robíte a používajte zdravý rozum pri práci s elektrickým náradím.** Nepoužívajte elektrické náradie, ak ste unavení alebo pod vplyvom drog, alkoholu alebo liekov. Chvilková nepozornosť pri práci s elektrickým náradím môže mať za následok vážne zranenie.
- **Používajte osobné ochranné pomôcky. Vždy používajte ochranu očí.** Ochranné prostriedky ako respirátor, protišmyková bezpečnostná obuv, prilba alebo chrániče sluchu použité za vhodných podmienok znižujú nebezpečenstvo zranenia.
- **Zabráňte náhodnému spusteniu.** Pred pripojením k zdroju napájania a/alebo akumulátoru, pri zdvíhaní alebo prenášaní nástroja sa uistite, že prepínač je vo vypnutej polohe. Prenášanie náradia s prstom na spínači, alebo prenášanie zapnutého elektrického náradia zvyšuje riziko úrazu.
- **Pred zapnutím elektrického náradia odstráňte akékoľvek nastavovacie nástroje alebo kľúče.** Nástroj alebo kľúč, ktorý zostane pripojený na rotujúcu časť stroja, môže spôsobiť zranenie.
- **Nepreceňujte sa. Pri práci vždy dodržujte správny postoj a rovnováhu.** Umožňuje to lepšiu kontrolu elektrického náradia v neočakávaných situáciách.
- **Vhodne sa oblečte. Nenoste šperky alebo voľný odev. Udržujte vlasy, oblečenie a rukavice v dostatočnej vzdialenosti od pohybujúcich sa dielov.** Voľný odev, šperky alebo dlhé vlasy môžu byť zachytené pohybujúcimi sa dielmi.

SK

- **Pokiaľ je náradie vybavené zariadením na zachytávanie prachu a úlomkov materiálu, skontrolujte, či je k náradiu správne pripevnené.** Použitie odsávania prachu môže znížiť nebezpečenstvo, ktoré súvisí s prachom.
- **Nedovoľte, aby ste sa po získaní skúsenosti častým používaním nástrojov stali neobozretnými a ignorovali zásady bezpečnosti.** Nedbalá činnosť môže spôsobiť vážne zranenie za zlomok sekundy.

POUŽÍVANIE A STAROSTLIVOSŤ O ELEKTRICKÉ NÁRADIE

- **Netlačte na elektrické náradie. Používajte správne náradie na vašu prácu.** Správne elektrické náradie bude pracovať lepšie a bezpečnejšie pri rýchlosti, na ktorú bolo určené.
- **Nepoužívajte elektrické náradie v prípade, že vypínač nie je možné zapnúť a vypnúť.** Akékoľvek elektrické náradie, ktoré sa nedá ovládať vypínačom je nebezpečné a musí sa opraviť.
- **Pred akýmkoľvek nastavením, výmenou príslušenstva alebo pred uložením elektrického náradia odpojte zástrčku od zdroja a/alebo akumulátora.** Tieto preventívne bezpečnostné opatrenia znižujú riziko náhodného spustenia elektrického náradia.
- **Uchovávajte nepoužívané elektronáradie mimo dosahu detí a nedovoľte, aby osoby neoboznámene s elektrickým náradím alebo s týmito pokynmi náradie používali.** Elektrické náradie je nebezpečné v rukách neskúsených používateľov.
- **Starajte sa o elektrické náradie. Skontrolujte nastavenie pohyblivých častí, poškodenie dielov a akékoľvek ďalšie okolnosti, ktoré môžu mať vplyv na funkciu elektrického náradia. Ak je elektrické náradie poškodené, nechajte ho pred použitím opraviť.** Veľa úrazov je zapríčinených zle udržiavaným náradím.
- **Rezacie nástroje udržiavajte ostré a čisté.** Starostlivo ošetrované rezné nástroje s ostrými čepkami menej pravdepodobne uviaznu a jednoduchšie sa ovládajú.
- **Používajte elektrické náradie, príslušenstvo, násady a pod.** Podľa týchto pokynov s prihliadnutím na pracovné podmienky a prácu, ktorá má byť vykonaná. Použitie elektrického náradia na iné ako určené účely môže viesť k nebezpečným situáciám.
- **Udržujte rukoväť a uchopovacie plochy suché, čisté, bez oleja a maziva.** Klzké držadlá a uchopovacie plochy neumožňujú bezpečnú manipuláciu s nástrojom a jeho ovládanie v nečakaných situáciách.

POUŽÍVANIE A STAROSTLIVOSŤ O NÁRADIE NA BATÉRIE

- **Nabíjajte iba nabíjačkou určenou výrobcom.** Nabíjačka vhodná pre jeden typ akumulátora môže spôsobiť riziko požiaru pri použití s iným akumulátorom.
- **Používajte elektrické náradie iba s výslovné určenými akumulátormi.** Použitie iných akumulátorov môže spôsobiť riziko úrazu a požiaru.
- **Pokiaľ akumulátor nepoužívate, držte ho mimo dosahu kovových predmetov, ako sú kancelárske sponky na papier, mince, kľúče, klince, skrutky alebo ďalšie drobné kovové predmety, ktoré môžu spôsobiť vzájomné skratovanie vývodov.** Skratovanie kontaktov akumulátora môže spôsobiť popálenie alebo požiar.
- **V nevhodných podmienkach môže kvapalina unikáť z batérie. Zabráňte kontaktu. Pri náhodnom kontakte opláchnite vodou. Pri zasiahnutí očí vyhľadajte lekársku pomoc.** Unikajúca kvapalina z akumulátora môže spôsobiť podráždenie pokožky alebo popálenie.
- **Nepoužívajte akumulátor alebo nástroj, ktorý je poškodený alebo upravený.** Poškodené alebo upravené akumulátory môžu mať nepredvídateľné chovanie, ktoré môže viesť k požiaru, výbuchu alebo nebezpečenstvu poranenia.
- **Nevystavujte akumulátor ani nástroj ohňu alebo nadmernej teplote.** Pri vystavení ohňu alebo teplote nad 130 ° C môže dôjsť k výbuchu.
- **Dodržujte všetky pokyny pre nabíjanie a nenabíjajte akumulátor alebo nástroj mimo rozsah teplôt uvedených v pokynoch.** Nesprávne nabíjanie alebo nabíjanie pri teplotách mimo stanovený rozsah môže poškodiť akumulátor a zvýšiť riziko požiaru.

OPRAVA

- **Náradie zverte do opravy kvalifikovanej osobe, ktorá použije iba originálne náhradné diely.** Zabezpečte tak zachovanie bezpečnosti elektrického náradia.
- **Nikdy neopravujte poškodené akumulátory.** Servis akumulátorov smie robiť iba výrobca alebo autorizovaní poskytovatelia služieb.

PRED POUŽITÍM TOHTO VÝROBKU SI PREČÍTAJTE VŠETKY POKYNY!

ŠKOLENIE

- **Nikdy nedovoľte používať stroj deťom, osobám so zníženými fyzickými, zmyslovými alebo duševnými schopnosťami, alebo nedostatkom skúseností a znalostí alebo ľudom, ktorí nie sú oboznámení s týmito pokynmi.**

- Obsluha alebo používateľ je zodpovedný za nehody a nepredvídané udalosti voči iným osobám a ich majetku.

PRÍPRAVA

- Elektrické náradie sa môže používať, keď prší alebo za mokra. Po ukončení práce vysušte elektrické náradie.
- Pred použitím skontrolujte batérie alebo akumulátory na poškodenie. Nepoužívajte zariadenie, ak sú batérie alebo akumulátory poškodené.

OBSLUHA

- Elektrické náradie sa môže používať, keď prší alebo za mokra. Po ukončení práce vysušte elektrické náradie.
- Odpojte batérie alebo akumulátory
 1. Kedykoľvek opustíte stroj;
 2. Pred odstránením zablokovania;
 3. Pred kontrolou, čistením alebo prácou na zariadení;
 4. V prípade, že nástroj začne nezvyčajne vibrovať.
- Vždy sa uistite o vašom postoji na svahoch.
- Kráčajte, nikdy nebežte.
- Udržujte všetky vzduchové chladiace príruby bez nečistôt.
- Odporúčame prevádzkovať stroj len vo vhodnom čase - nie skoro ráno alebo neskoro v noci, keď by ľudia mohli byť vyrušovaní.
- Odporúčame mierne navlhčiť povrch v prašnom prostredí alebo použiť hlavný nástavec.

VAROVANIE: Nebezpečenstvo rotujúcich dielov!

- Použité rozširujúce trysky pre dúchadlo tak, aby prúd vzduchu mohol pracovať blízko pri zemi.
- Nepracujte so strojom v blízkosti otvorených okien a pod.

ÚDRŽBA A SKLADOVANIE

- Udržujte všetky matice a skrutky utiahnuté, aby bol nástroj v bezpečnom prevádzkovom stave.
- Vymeňte opotrebované alebo poškodené diely.
- Používajte iba originálne náhradné diely a príslušenstvo.
- Nástroj skladujte len na suchom mieste.

VAROVANIE: Ak chcete znížiť riziko požiaru, úrazu elektrickým prúdom alebo poranenia:

DÔLEŽITÉ

PRED POUŽITÍM SI POZORNE PREČÍTAJTE.

ODLOŽTE SI PRE BUDÚCU POTREBU.

- Nedovoľte dúchadlo používať ako hračku. Mimoriadna opatnosť sa vyžaduje, ak sa používa v blízkosti detí.
- Ak dúchadlo správne nefunguje, spadlo, je poškodené, alebo spadlo do vody, vráťte ho do servisného strediska.
- Nevkladajte žiadne predmety do akýchkoľvek otvorov. Nepoužívajte so žiadnym zablokovaným otvorom; udržiavajte otvory bez prachu, chuchvalcov a vlasov, ktoré by mohli znížiť prúdenie vzduchu.
- Pri čistení schodov buďte mimoriadne opatrní.
- Nenechávajte dúchadlo bez dozoru, keď je zasunutá zástrčka akumulátora. Vyberte batériu, ak sa dúchadlo nepoužíva a pred vykonávaním údržby.
- Nesiahajte s mokrymi rukami na nabíjačku, vrátane zástrčky alebo konektorov nabíjačky.
- Nenabíjajte akumulátor vonku.

VAROVANIE:

- Pred likvidáciou musí byť akumulátor odstránený zo spotrebiča.
- Batérie likvidujte bezpečným spôsobom.


- **NEPOKÚŠAJTE** sa odstraňovať upchania v nástroji bez vybratia batérie.
- Udržujte dúchadlo a jeho rukoväte suché, čisté, bez oleja a maziva. Pri čistení vždy používajte čistú handru. Nikdy nepoužívajte brzdové kvapaliny, benzín, ropné produkty, ani silné rozpúšťadlá na čistenie ventilátora. Dodržiavanie tohto pravidla zníži riziko straty kontroly a zhoršenia stavu plastového krytu.
- Batérie môžu explodovať v prítomnosti zdroja vznietenia, ako je napríklad kontrolná žiarovka. Aby sa znížilo riziko vážneho zranenia, nikdy nepoužívajte akýkoľvek akumulátorový výrobok v prítomnosti otvoreného ohňa. Vybúchnutá batéria môže rozprsknúť nečistoty a chemikálie. V prípade zasiahnutia ihneď opláchnite vodou.
- Nikdy nespúšťajte nástroj bez pripojeného vhodného príslušenstva. Vždy sa uistite, že je nainštalovaný výdych dúchadla.

SK

- **Nikdy nepoužívajte dúchadlo v blízkosti ohňa alebo horúceho popola.** Použitie v blízkosti ohňa alebo popola môže rozšíriť požiar a spôsobiť vážne zranenie a/alebo poškodenie majetku.
- **Nikdy nepoužívajte dúchadlo na rozprašovanie chemikálií, hnojív alebo iných toxických látok.** Rozprašovanie týchto látok môže vyvolať vážne zranenia obsluhy alebo okolostojacích.
- **Odložte si tieto pokyny Používajte ich často a používajte ich tiež na poučenie ostatných, ktorí môžu tento nástroj používať.** Ak požičiate tento nástroj niekomu inému, požičajte mu aj tieto pokyny, aby sa zabránilo zneužitiu výrobku a prípadným zraneniam.

ODLOŽTE SI TIETO POKYNY!

TECHNICKÉ ÚDAJE

Napätie	56V 
Maximálny objem vzduchu na tryske	986 m ³ /h
Odporúčaná prevádzková teplota	От -15 до 40 °C
Odporúčaná skladovacia teplota	От -20 до 70 °C
Maximálnu rýchlosť vzduchu	65 m/s (bez kruhovej dýzy)
	75 m/s (S okrúhlou tryskou)
	18 min (Zvýšený výkon)
Pribl. prevádzková doba (s batériou EGO 5,0Ah)	30 min (Vysoká rýchlosť)
	200 min (Nízka rýchlosť)
Maximálna sila fúkača	18N
Hmotnosť dúchadla (bez akumulátora)	2,8 kg
Hladina akustického výkonu L _{WA}	94,73 dB(A) K=2,83 dB(A)
Hladina akustického tlaku pri uchu obsluhy L _{PA}	78,4 dB(A) K=2,5 dB(A)
Garantovaná hladina akustického výkonu L _{WA} (meraná podľa 2000/14/EC)	98 dB(A)
Vibrácie v _h	0,505 m/s ²
	K=1,5 m/s ²

- Uvádzaná celková hodnota vibrácií bola meraná v súlade so štandardnou skúšobnou metódou a môže byť použitá na porovnanie jedného zariadenia s iným;
- Uvádzaná celková hodnota vibrácie sa môže použiť aj na predbežný odhad expozície.

POZNÁMKA: Emisia vibrácií pri skutočnom používaní náradia sa môže odlišovať od deklarovanej hodnoty, pri akej sa nástroj používa; Za účelom ochrany obsluhy má používateľ v skutočných podmienkach použitia nosiť rukavice a ochranu sluchu.

OBSAH BALENIA

NÁZOV DIELU	MNOŽSTVO
Dúchadlo	1
Výduch dúchadla	1
Príslušenstvo trysiek	2
Návod na obsluhu	1

POPIS

ZOZNÁMTE SA S VAŠIM DÚCHADLOM (obr. A)

1. Plochá tryska
2. Okrúhla tryska
3. Výduch dúchadla
4. Uvoľňovacie tlačidlo výduchu
5. Základňa
6. Prívod vzduchu
7. Vysunutie batérie
8. Elektrické kontakty
9. Západka
10. Tlačidlo na uvoľnenie batérie
11. Spúšť ovládania prúdenia vzduchu
12. Tlačidlo zosilnenia
13. Ovládač rýchlosť/poistka

VAROVANIE: Bezpečné používanie tohto výrobku vyžaduje pochopenie informácií o nástroji, pochopenie tohto návodu na obsluhu, ako aj znalosti o práci, ktorú sa pokúšate vykonať. Pred použitím tohto výrobku sa oboznámte so všetkými prevádzkovými funkciami a bezpečnostnými pravidlami.

MONTÁŽ

VAROVANIE: Ak akýkoľvek diel chýba, alebo je poškodený, nepoužívajte tento výrobok, kým nie sú vymenené diely. Ak používate tento výrobok s poškodenými alebo chýbajúcimi časťami, môže dôjsť k vážnemu zraneniu.

VAROVANIE: Nepokúšajte sa upravovať tento výrobok alebo vytvoriť príslušenstvo, ktoré nie je odporúčané na použitie s týmto dúchadlom. Každá takáto zmena alebo modifikácia sa považuje za zneužitie a môže spôsobiť nebezpečný stav, ktorý vedie k možnému vážnemu zraneniu.

VAROVANIE: Aby sa zabránilo náhodnému spusteniu, ktoré by mohlo viesť k vážnemu zraneniu, vždy vyberte akumulátor z nástroja pri montáži dielov.

POUŽITIE

Tento výrobok môžete použiť na nižšie uvedené účely:

- Čistenie tvrdých povrchov, ako sú príjazdové cesty a chodníky.
- Udržiavanie plôch a príjazdových ciest bez listov a ihličia.

POZNÁMKA: Nástroj sa musí používať len na predpísané účely. Každé iné použitie sa považuje za prípad zneužitia.

MONTÁŽ / DEMONTÁŽ VÝDUCHU DÚCHADLA

■ Montáž (obr. B & C)

Zarovnajte drážku a zatlačte výdych do krytu dúchadla, kým nebudete počuť „cvaknutie“.

■ Demontáž (obr. D)

Stlačte uvoľňovacie tlačidlo výdychu a vytiahnite ho von.

MONTÁŽ/DEMONTÁŽ OKRÚHLEJ/PLOCHEJ TRYSKY

■ Montáž (obr. E & F)

Zarovnajte drážku v rozmetávacej tryske s gombíkom trubice a zatlačte trysku na trubicu, kým nezapadne na miesto.

■ Demontáž (obr. G)

Stlačte a podržte uvoľňovacie tlačidlo trysky pre uvoľnenie západky a vytiahnite trysku priamo z dúchadla.

POZNÁMKA: Postupujte podľa rovnakého postupu, ak chcete zostaviť alebo odstrániť plochú trysku.

INŠTALÁCIA / VYBRATIE AKUMULÁTORA

Nabite pred prvým použitím.

Používajte iba s akumulátormi a nabíjačkami, ktoré sú uvedené na obr. A.

■ Inštalácia (obr. H)

Zarovnajte výčnelky na batérii s montážnymi drážkami a zatlačte akumulátor nadol, kým nebudete počuť „cvaknutie“.

■ Vybratie (obr. I)

Stlačte tlačidlo pre uvoľnenie batérie a vytiahnite ju von.

VAROVANIE: Vždy majte na pamäti umiestnenie vašich nôh, polohu detí, či zvierat pri stlačení tlačidla pre uvoľnenie batérie. Mohlo by dôjsť k vážnemu zraneniu v prípade vypadnutia akumulátora. NIKDY nevyberajte akumulátor, ak sa nachádzate vo vysokej polohe.

Popis dielov na obr. H:

H-1	Tlačidlo na uvoľnenie batérie	H-3	Montážny otvor
H-2	Rebrovanie akumulátora		

SPUSTENIE / ZASTAVENIE DÚCHADLA (obr. J)

■ Iba spúšť ovládania prúdenia vzduchu

1. Stlačte spúšť ovládania prúdenia vzduchu pre zapnutie dúchadla.
2. Prúdenie vzduchu je riadené spúšťou s premenlivou rýchlosťou. Vyšší tlak na spúšť spôsobuje vyššiu rýchlosť fúkania; menší tlak na spúšť má za následok nižšiu rýchlosť fúkania. Nastavte rýchlosť tak, aby vyhovovala úlohe.
3. Uvoľníte spúšť ovládania prúdenia vzduchu pre vypnutie fúkača.

■ Iba ovládač rýchlostí/poistka

Fúkač je možné zapnúť a zaisťiť na ľubovoľnej rýchlosti pomocou ovládača rýchlostí/poistka.

1. Otočte ovládač rýchlostí/poistka v smere hodinových ručičiek pre spustenie fúkača. Rýchlosť vzduchu sa zvýši, pretože otočný gombík sa otáča v smere hodinových ručičiek.
2. Ak chcete znížiť rýchlosť vzduchu, otáčajte otočným gombíkom proti smeru hodinových ručičiek.
3. Otáčajte ovládač rýchlostí/poistka proti smeru hodinových ručičiek do polohy vypnuté pre vypnutie fúkača.

POZNÁMKA: Fúkač sa nespustí pomocou ovládača rýchlostí/poistka, ak sa ovládač rýchlostí/poistka nevráti do vypnutej polohy pred jeho zapnutím. Toto je ochranná funkcia, ktorá zabraňuje náhodnému uvedeniu do prevádzky. Stlačenie spúšte ovládania prúdenia vzduchu môže vypnúť ochranu.

Stlačte tlačidlo zvýšenia výkonu pre dočasné zvýšenie rýchlosti vzduchu na maximálnu úroveň. Fúkač bude pokračovať vo vopred nastavenej rýchlosti po uvoľnení tlačidla zvýšenia výkonu.

Popis dielov na obr. J:

SK

J-1	Ovládač rýchlosť/ poistka	J-3	Spúšť ovládania prúdenia vzduchu
J-2	Tlačidlo zosilnenia		

Tipy pre používanie dúchadla

- Ak chcete zabrániť rozptyľovaniu nečistôt, fúkajte okolo vonkajšieho okraja hromady odpadu. Nikdy nefúkajte priamo do stredu hromady.
- Ak chcete znížiť hladinu hluku, obmedzte počet kusov zariadení používaných v jednom okamihu.
- Pred fúkaním použite hrable a metly na uvoľnenie nečistôt. V prašných podmienkach ľahko navlhčíte povrch, ak je k dispozícii voda.
- Dávajte pozor na deti, domáce zvieratá, otvorené okná alebo čerstvo umyté auta a fúkajte odpad do bezpečnej vzdialenosti.
- Po použití dúchadiel alebo iných zariadení nezabudnite upratať! Zlikvidujte odpad správne.
- Neodporúčame používať dúchadlo s vysokou rýchlosťou dlhú dobu, pretože veľké vibrácie a hluk môžu byť škodlivé pre vaše zdravie.

SK

ÚDRŽBA

⚠ VAROVANIE: Pri servise používajte iba identické náhradné diely. Použitie iných častí môže vyvolať nebezpečenstvo, alebo spôsobiť poškodenie výrobku. Pre zaistenie bezpečnosti a spoľahlivosti je nevyhnutné, aby všetky opravy vykonával len kvalifikovaný servisný technik.

⚠ VAROVANIE: Pri čistení alebo vykonávaní údržby vždy vyberte batériu z výrobku, aby nedošlo k vážnemu zraneniu.

CELKOVÁ ÚDRŽBA

Na čistenie plastových dielov nepoužívajte rozpúšťadlá. Väčšina plastov je náchylná na poškodenie z rôznych typov komerčných rozpúšťadiel a môžu sa poškodiť, ak sa použijú. Použite čisté handry na odstránenie nečistôt, prachu, oleja, maziva, atď.

⚠ VAROVANIE: Nikdy nedovoľte, aby brzdové kvapaliny, benzín, ropné výrobky, penetračné oleje atď., prišli do styku s plastovými časťami. Chemické látky môžu poškodiť, oslabiť alebo zničiť plast, čo môže viesť k vážnemu zraneniu.

USKLADNENIE

- Vyberte akumulátor z dúchadla.
- Odstráňte všetky nečistoty zo vzduchových prívodov dúchadla.
- Skladujte vo vnútri na mieste, ktoré je neprístupné deťom. Chráňte pred agresívnymi látkami, ako sú záhradné chemikálie a rozmrazovacie soli.

Ochrana životného prostredia



Nevyhadzujte elektrické zariadenia, nabíjačku batérií a batérie / akumulátory do domového odpadu!

Podľa európskej smernice 2012/19/EU elektrické a elektronické zariadenia, ktoré už nie sú použiteľné a podľa európskej smernice 2006/66/EC chybné alebo použité akumulátory / batérie sa musia zhromažďovať oddelene a zlikvidovať ekologicky správnym spôsobom.

Ak sú elektrické spotrebiče likvidované na neorganizovaných skládkach alebo smetiskách, môžu nebezpečné látky uniknúť do podzemných vôd, dostať sa do potravinového reťazca a poškodzovať zdravie.

ODSTRAŇOVANIE PROBLÉMOV

PROBLÉM	PRÍČINA	RIEŠENIE
Dúchadlo nefunguje.	<ul style="list-style-type: none"> ■ Akumulátor nie je pripojený do dúchadla. ■ Žiadny elektrický kontakt medzi dúchadlom a batériou. ■ Akumulátor je vybitý. ■ Akumulátor alebo dúchadlo sú príliš horúce. ■ Ovládač rýchlosť/poistka nebol pred zapnutím fúkača vo vypnutej polohe. 	<ul style="list-style-type: none"> ■ Pripojte akumulátor do dúchadla. ■ Vyberte batériu, skontrolujte kontakty a nainštalujte akumulátor. ■ Nabite akumulátor. ■ Nechajte vychladnúť akumulátor alebo dúchadlo, kým teplota neklesne pod 67 ° C. Stlačte spúšť ovládania prúdenia vzduchu pre vypnutie ochrany a zapnite fúkač alebo najprv otočte ovládač rýchlosť/poistka do vypnutej polohy.
Rýchlosť prúdenia vzduchu sa významne znižuje.	<ul style="list-style-type: none"> ■ Nadmerné opotrebovanie motora dúchadla. ■ Prívod vzduchu je zablokovaný nečistotami. 	<ul style="list-style-type: none"> ■ Kontakt servisné stredisko EGO pre opravu. ■ Vyberte akumulátor a odstráňte nečistoty.

ZÁRUKA

ZÁRUČNÁ POLITIKA EGO

Navštívte webové stránky egopowerplus.com pre úplné podmienky záručnej politiky spoločnosti EGO.

SK

OLVASSA EL AZ ÖSSZES UTASÍTÁST!



OLVASSA EL A HASZNÁLATI ÚTMUTATÓT

MEGJEGYZÉS: A használati útmutató alternatív formában, ill. a honlapon is elérhető.

⚠ Maradék kockázat! Az elektronikus készülékekkel, például pacemakerrel, élő emberek a termék használata előtt kérjék ki orvos véleményét. Az elektromos felszerelés a szív pacemakerhez közel való működtetése interferenciát vagy meghibásodást okozhat a pacemakerben.

⚠ FIGYELMEZTETÉS: A biztonságosság és megbízhatóság biztosítása érdekében minden javítást szakképzett szerviztechnikus hajtson végre.

BIZTONSÁGI SZIMBÓLUMOK

A biztonsági szimbólumok célja, hogy felhívják a figyelmet az esetleges veszélyekre. Nagyon figyeljen a biztonsági szimbólumokra és magyarázatokra, ill. ezek megértésére. A szimbólumok figyelmeztetési önmagukban nem hárítják el a veszélyeket. Az utasítások és figyelmeztetések nem helyettesítik a megfelelő balesetmegelőző intézkedéseket.

⚠ FIGYELMEZTETÉS: A szerszám használata előtt feltétlenül olvassa el a jelen használati útmutató minden biztonsági utasítását, a „VESZÉLY”, „FIGYELMEZTETÉS” és „FIGYELEM” biztonsági szimbólumokat is. Az alább felsorolt utasítások be nem tartása áramütést, tűzveszélyt és/vagy súlyos személyi sérülést idézhet elő.

SÉRÜLÉS MEGELŐZÉSE ÉS INFORMÁCIÓK

Ezek a használatot a fontos információkról és/vagy utasításokról értesítik, amelyek be nem tartása a felszerelés sérülését vagy más vagyoni kárt okozhat. Minden értesítés előtt a „MEGJEGYZÉS” szó áll, ahogy az alábbi példában is:

MEGJEGYZÉS: A felszerelés sérülése és/vagy vagyoni kár akkor léphet fel, ha nem tartják be ezeket az utasításokat.



⚠ FIGYELMEZTETÉS: Bármely elektromos kéziszerszám működtetése azzal járhat, hogy idegen tárgyak szembe kerülnek, amely súlyos szemsérüléseket okozhat. Az elektromos kéziszerszám működtetése előtt, mindig vegyen fel oldalsó védőlemezzel ellátott védőszemüveget és a teljes védőálarcot, ha szükséges. Javasoljuk, hogy viseljen széles látóterű biztonsági maszkot (védőálarc) a védőszemüveg fölött vagy standard védőszemüveget oldalsó védőlemezzel.

BIZTONSÁGI UTASÍTÁSOK

Ezen az oldalon olyan biztonsági szimbólumok láthatók és olvashatók, amelyek megjelenhetnek a terméken. Az összeszerelés vagy működtetés előtt olvassa el, értse meg és tartsa be a gép minden utasítását.

	Biztonsági figyelmeztetés	Az Ön biztonságát érintő óvintézkedések.
	Viseljen szemvédőt	Mindig viseljen védőszemüveget vagy oldalsó védőlemezzel ellátott védőszemüveget és teljes védőálarcot a termék működtetése közben.
	Viseljen fülvédőt	Mindig viseljen hallásvédőt a termék működtetése közben.
	Olvassa el a használati útmutatót	A sérülések kockázatának csökkentése érdekében a használaton a termék használata előtt el kell olvasnia a használati útmutatót.
	Tartsa távol a nézelődőket	Minden nézelődő legalább 15 m távolságban legyen.
V	volt	Feszültség
A	amper	Aktuális
Hz	hertz	Frekvencia (ciklusok másodpercenként)
W	watt	Teljesítmény
min	perc	Idő
m ³ /h	Négyzetméter óránként	Levegő mennyiség
km/h	Kilométer óránként	Levegő sebesség

HU

	Váltakozó áram	Áram típusa
	Egyenáram	Áram típusa vagy jellemzői
n_0	Üresjárat fordulatszám	Forgási sebesség üresjáraton
.../min	Percenként	Fordulat percenként

Elektromos készülékek használata közben mindig tartsa be az alapvető óvintézkedéseket, beleértve az alábbiakat

AZ ELEKTROMOS SZERSZÁMOKRA VONATKOZÓ ÁLTALÁNOS BIZTONSÁGI FIGYELMEZTETÉSEK

▲ FIGYELMEZTETÉS: OLVASSA EL AZ ELEKTROMOS KÉZISZERSZÁMHOZ MELLÉKELT ÖSSZES BIZTONSÁGI FIGYELMEZTETÉST, UTASÍTÁST, ÁBRÁT ÉS SPECIFIKÁCIÓT. Az alább felsorolt utasítások be nem tartása áramütést, tűzveszélyt és/vagy súlyos sérülést idézhet elő.

ŐRIZZEN MEG MINDEN FIGYELMEZTETÉST ÉS UTASÍTÁST, HOGY KÉSŐBB IS ELŐ TUDJA MAJD VENNII.

Az „elektromos kéziszerszám” megnevezés a figyelmeztetésekben egyaránt vonatkozik a hálózati feszültségről meghajtott elektromos kéziszerszámokra (hálózati vezetékkel rendelkező elektromos kéziszerszámok), valamint az akkumulátorról működtetett elektromos kéziszerszámokra (hálózati vezeték nélküli elektromos kéziszerszámok).

MUNKATERÜLET BIZTONSÁG

- **A munkaterület legyen tiszta és jól megvilágított.** A munkahelyen uralkodó rendetlenségnek vagy a rossz megvilágításnak baleset lehet a következménye.
- **Ne használjon elektromos szerszámokat robbanási veszélynek kitett környezetben, például olyan helyen, ahol éghető folyadékok, gázok vagy porok találhatóak.** Az elektromos kéziszerszámok szikrákat képeznek, amelyek meggyújthatják a porokat vagy gázokat.
- **Az elektromos kéziszerszám üzemeltetése közben tartsa távol a gyermekeket és a nézelődőket.** Ha megzavarják, elveszítheti uralmát a készülék felett.

ELEKTROMOS BIZTONSÁG

- **Az elektromos kéziszerszám hálózati csatlakozódugójának illeszkednie kell az alkalmazott elektromos aljzathoz.** Soha és

semmiképpen se módosítsa a csatlakozódugót. Ne használjon adapteres csatlakozódugókat az elektromos kéziszerszámokhoz. Az eredeti csatlakozódugó és megfelelő hálózati aljzat alkalmazásával megelőzi az áramütés veszélyét.

- **Kerülje el földelt felületek, mint pl. csövek, fűtőtestek, tűzhelyek vagy hűtőszekrények érintését.** Az áramütés kockázata nagyobb, ha a teste le van földelve.
- **Ne tegye ki az elektromos kéziszerszámot esőnek vagy nedves környezetnek.** Az elektromos kéziszerszámba bekerülő víz megnöveli az áramütés kockázatát.
- **Ne használja helytelen módon a hálózati vezetékét. Soha ne használja a vezetékét a töltő hordozására, húzására vagy lecsatlakoztatására.** Tartsa távol a vezetékét hőtől, olajtól, éles szegélyektől és mozgó alkatrészekről. A sérült vagy összegabalyodott hálózati kábelek megnövelik az áramütés veszélyét.
- **Ha az elektromos kéziszerszámot a szabadban használja, akkor erre a célra kialakított hosszabbított vezetékét alkalmazzon.** A szabadtéren használható kábel alkalmazása csökkenti az áramütés kockázatát.
- **Ha elkerülhetetlen az elektromos kéziszerszám használata nedves helyen, használjon földelő áramköri megszakítóval ellátott tápellátást.** A GFCI használata csökkenti az áramütés veszélyét.

HU

SZEMÉLYI BIZTONSÁG

- **Legyen figyelmes, ügyeljen arra, amit csinál, és józan ésszel fogjon a munkához, ha elektromos kéziszerszámot használ.** Ne használjon elektromos kéziszerszámot, ha fáradt, kábítószert, alkohol vagy gyógyszer befolyása alatt áll. Az elektromos kéziszerszám üzemeltetése közben egy pillanatnyi figyelmeltenség is súlyos személyi sérülést okozhat.
- **Használjon személyi védőfelszerelést. Mindig viseljen védőszemüveget.** A védőfelszerelések, mint például porvédő maszk, csúszásmentes lábbeli, sisak és hallásvédő, rendeltetészerű használata révén elkerüli a sérülési veszélyeket.
- **Akadályozza meg a véletlen indítást. Ügyeljen arra, hogy a kapcsoló kikapcsolt állásban legyen, mielőtt tápforrásra és/vagy akkumulátoregységre csatlakoztat, felveszi vagy viszi a szerszámot.** Balesetekhez vezethet, ha a hálózatra csatlakoztatott szerszámot úgy viszi, hogy közben az ujjá a bekapcsoló gombon van, vagy ha a hálózati csatlakozódugót olyankor dugja be az aljzatba, amikor be van kapcsolva a szerszám.

- Vegye ki a szerszámkulcsot és a beállító szerszámot, mielőtt az elektromos kéziszerszámot bekapcsolná. Az elektromos kéziszerszám mozgó alkatrészén felejtett csavarkulcs vagy szerszám személyi sérülést okozhat.
- Ne hajoljon a gép fölé. Vegyen fel stabil testhelyzetet, és mindig tartsa meg az egyensúlyát. Ezáltal jobban tudja irányítani az elektromos kéziszerszámot a legváratlanabb helyzetben is.
- Viseljen megfelelő ruhát. Ne viseljen laza ruházatot vagy ékszereket. Tartsa távol haját, ruházatát és kesztyűjét a mozgó alkatrészekről. A laza ruházatot, az ékszert vagy a hosszú haját becsíphetik a mozgó alkatrészek.
- Ha az elektromos kéziszerszámot porfelszívó vagy porfelgőgő eszközzel szerelik fel, akkor győződjön meg arról, hogy ezek előírászerűen vannak-e csatlakoztatva, és használja őket a rendeltetésüknek megfelelően. Porgyűjtő használata csökkentheti a porral járó veszélyeket.
- Ne hagyja, hogy a rendszeres használat során megszerzett tapasztalat miatt túl magabiztossá váljon, és emiatt figyelmen kívül hagyja a biztonsági irányelveket. Egy óvatlan cselekedet a másodperc töredéke alatt súlyos sérülést okozhat.
- Gondosan ápolja az elektromos kéziszerszámot. Ellenőrizze a mozgó részek beállítását és rögzítését, vizsgáljon meg minden részt, nem sérült-e, és ellenőrizze, nem állnak-e fenn olyan körülmények, amelyek befolyásolhatják az elektromos kéziszerszámok helyes kezelését. Használat előtt javíttassa meg a sérült elektromos kéziszerszámot. A rosszul karbantartott elektromos kéziszerszámok sok balesetet okoznak.
- A vágószerszámok legyenek mindig élesek és tiszták. A megfelelően karbantartott és kielevezt vágószékekkel rendelkező vágószerszámok kevésbé hajlamosak az elgömbülésre, valamint könnyebben kezelhetők.
- Az elektromos kéziszerszámot, tartozékot, vágófelleteket, stb. mindig ezen biztonsági utasításoknak megfelelően használja, mindig vegye figyelembe a munkakörülményeket, és legyen tekintettel a megmunkálandó munkadarabra. Az elektromos kéziszerszámoknak az előírt rendeltetési céltól eltérő célra való használata veszélyes.
- Tartsa szárazon, tisztán, olajtól és zsírtól mentesen a fogantyúkat és a tartófelületeket. A csúszós fogantyúk és fogófelületek miatt a szerszám kezelése és vezérlése váratlan helyzetekben nem biztonságos.

HU

A KÉZI SZERSZÁMGÉP ÜZEMELTETÉSE ÉS GONDOZÁSA

- Ne terhelje túl az elektromos kéziszerszámot. A munkájához használja az arra alkalmas elektromos kéziszerszámot. A megfelelő elektromos kéziszerszámmal jobban és biztonságosabban dolgozhat a megadott teljesítményhatáron belül.
- Ne használja az elektromos kéziszerszámot, ha nem lehet a bekapcsoló segítségével be- vagy kikapcsolni. Az olyan elektromos kéziszerszám, amely nem irányítható a kapcsolóval, veszélyes és javításra szorul.
- Húzza ki a hálózati csatlakozó dugót az aljzattól, mielőtt beállításokat végezne, tartozékok cserélne vagy az elektromos kéziszerszámot félretenné. Az ilyen megelőző biztonsági óvintézkedések csökkentik az elektromos kéziszerszám véletlen beindításának kockázatát.
- A használaton kívüli elektromos kéziszerszámokat gyermekektől távol tartsa, és ne engedje meg, hogy olyan személyek használják az elektromos kéziszerszámot, akik nem ismerik azt, vagy nincsenek tisztában ezekkel a biztonsági utasításokkal. Az elektromos kéziszerszámok veszélyt jelentenek a gyakorlatlan felhasználó kezében.
- Csak a gyártó által meghatározott töltőt használja. Az olyan töltő, amely egy típusú akkumulátoregységhez alkalmas, tűzveszélyt okozhat, ha más típusú akkumulátoregységhez használja.
- Az elektromos kéziszerszámokat csak speciálisan meghatározott akkumulátoregységekkel használja. Bármely más akkumulátoregység használata sérülés- vagy tűzveszélyt okozhat.
- Amikor nem használja az akkumulátoregységet, tartsa távol más fémtárgyaktól, például gemkapocs, érmék, kulcsok, tűk, csavarok vagy más kis fémtárgyak, amelyek kapcsolatba léphetnek vele. Amennyiben együtt tartja az akkumulátorokat, az égési sérülést vagy tüzet okozhat.
- Nem megfelelő körülmények között folyadék szivároghat az akkumulátorból; ne érjen ehhez. Amennyiben véletlenül hozzáérne, mossa le vízzel. Ha ez a folyadék szembe kerül, kiegészítőleg forduljon orvoshoz. Az akkumulátorból kiszivárgó folyadék irritációt vagy égést okozhat.
- Ne használjon sérült vagy módosított akkumulátoregységet vagy szerszámot. A sérült vagy módosított akkumulátorok előre nem látható módon viselkedhetnek, aminek eredménye tűz, robbanás vagy sérülésveszély lehet.

- **Ne tegye ki az akkumulátoregységet tűznek vagy túlzott hőmérsékletnek.** Ha tűznek, vagy 130 °C feletti hőmérsékletnek teszi ki, akkor felrobbanhat.
- **Tartsa be a töltési utasításokat, és ne töltse az akkumulátoregységet vagy a szerszámot az utasításokban meghatározott hőmérséklet-tartományon kívül.** A nem megfelelő vagy a meghatározott hőmérséklet-tartományon kívüli töltés megrongálhatja az akkumulátort, és növeli a tűzveszélyt.

SZERVIZ

- **Az elektromos kéziszerszám szervizelését szakképzett szerelő végezze, csak az eredetivel megegyező cserealkatrészek felhasználásával.** Ezzel biztosítja az elektromos kéziszerszám biztonságának fenntartását.
- **Soha ne szervizeljen sérült akkumulátoregységet.** Az akkumulátoregységet csak a gyártó vagy felhatalmazott szerviz szolgáltató szervizelheti.

A KÉSZÜLÉK HASZNÁLATA ELŐTT OLVASSA EL AZ ÖSSZES UTASÍTÁST!

KÉPZÉS

- **Soha ne engedélyezze a gép használatát olyan gyermekeknek, személyek akik csökkent fizikai, érzékszervi vagy szellemi képességekkel rendelkeznek, vagy nem rendelkeznek kellő belátással és tudással a készülékről.**
- **A szerszám működtetője a felelős azokért a balesetekért vagy veszélyekért, amelyek más emberekkel érintenek vagy mások vagyontárgyait érintik.**

ELŐKÉSZÍTÉS

- **Az elektromos kéziszerszám esőben vagy nedves körülmények között is használható. A munka befejezése után szárítsa meg az elektromos szerszámot.**
- **Használat előtt ellenőrizze, hogy az akkumulátor vagy az akkumulátoregység nem sérült-e.** Ne használja ezt a készüléket, ha az akkumulátor vagy az akkumulátoregység sérült.

MŰKÖDTETÉS

- **Az elektromos kéziszerszám esőben vagy nedves körülmények között is használható. A munka befejezése után szárítsa meg az elektromos szerszámot.**
- **Vegye ki az akkumulátort vagy akkumulátoregységet:**

1. Amikor otthagyja a gépet;
2. Mielőtt megszüntetne egy eltömődést;
3. Mielőtt ellenőrzi, tisztítja vagy bármilyen más munkát végez a készüléken;
4. Ha a gép szokatlan módon elkezd rázkódní.

- **Ha lejtős terepen dolgozik, mindig ügyeljen arra, hova lép.**
- **Sétáljon, soha ne fusson.**
- **Az összes hűtőlevegő-bemenet legyen mentes a szeméttől.**
- **Javasoljuk, hogy a gépet csak elfogadható időben használja – ne kora reggel, késő este, amikor zavarhatja az embereket.**
- **Javasoljuk, hogy poros körülmények között nedvesítse meg a felületet, vagy használja a porlasztó tartozékot.**

⚠ FIGYELMEZTETÉS: Forgó alkatrészek általi veszély!

- **Használja a teljes lombfúvó szórófúvóka hosszabbítást, így a levegőáramot a talajhoz közel használhatja.**
- **Ne működtesse a gépet nyitott ablakok stb. közelében.**

KARBANTARTÁS ÉS TÁROLÁS

- **Az összes csavar, alátét és hasonlő rész legyen jól meghúzva, hogy a gép biztonságos munkaállapotban legyen.**
- **Az elkopott vagy megsérült részeket cserélje ki.**
- **Csak eredeti pótalkatrészeket és tartozékokat használjon.**
- **Csak száraz helyen tárolja a készüléket.**

⚠ FIGYELMEZTETÉS: A tűzveszély, áramütés vagy sérülés kockázatának csökkentése érdekében:

FONTOS

HASZNÁLAT ELŐTT FIGYELMESEN OLVASSA EL.

ŐRIZZE MEG KÉSŐBBI HASZNÁLATRA.

- **Ne engedje, hogy a lombfúvót játékként használják.** Fokozottan figyeljen, ha gyerekek közelében használja a készüléket.
- **Ha a lombfúvó nem megfelelően működik, leesett, megsérült vagy vízbe esett, akkor vigye be a szervizbe.**

- **Ne tegyen semmilyen tárgyat a nyílásokba. Ne használja, ha bármelyik nyílás blokkolva van; tartsa a nyílásokat portól, szősztől, hajtól és minden olyan tárgytól szabadon, amely csökkentheti a levegő áramlását.**
- **Legyen rendkívül óvatos, amikor lépcsőkön végez tisztítást.**
- **Ne hagyja a lombfúvót felügyelet nélkül, amikor az akkumulátor csatlakozódugasza be van dugva. Vegye ki az akkumulátort, amikor nem használja a lombfúvót, és szervizelés előtt.**
- **Ne nyúljon a töltőhöz, a töltő csatlakozódugójához vagy csatlakozásaihoz vizes kézzel.**
- **Ne töltsé az akkumulátort kültéren.**

⚠ FIGYELMEZTETÉS:


- Az akkumulátoregységet ki kell venni, mielőtt kicselejtezi a készüléket.
- Az akkumulátort biztonságosan kell ártalmatlanítani.

- **NE próbálja meg kitisztítani az eltömődést az egységből, míg előtte ki nem vette az akkumulátort.**
- **Tartsa szárazon, tisztán, olajtól és zsírtól mentesen a lombfúvót és a fogantyúját.** Mindig használjon tiszta ruhát a tisztításhoz. Soha ne használjon fékolajat, benzint, petróleum alapú termékeket, vagy más erős oldószereket a lombfúvó tisztításához. Ha betartja ezt a szabályt, akkor csökkenti annak veszélyét, hogy elveszítheti az uralmát a lombfúvó felett, és a védő műanyag sérülését.
- **Az akkumulátorok gyújtóforrás, például jelzőfény, jelenlétében felrobbanhatnak.** A súlyos személyi sérülések kockázatának csökkentése érdekében soha ne használja a vezeték nélküli terméket nyílt láng jelenlétében. A felrobbant akkumulátor törmelékekre és vegyszerekre bomlik. Ha fennáll a robbanás veszélye, azonnal öntse le vízzel.
- **Soha ne üzemeltesse az egységet megfelelően felhelyezett felszerelés nélkül.** Mindig győződjön meg arról, hogy a lombfúvó cső fel van helyezve.
- **Soha ne használja a lombfúvót tűz vagy hamu közelében használni, akkor az súlyos sérülést és/vagy anyagi kárt okozhat.**
- **Soha ne használja a lombfúvót vegyszerek, műtrágya vagy más mérgező anyagok permetezéséhez.** Ha ezt teszi, az a kezelő vagy a nézelődők súlyos sérülését okozhatja.
- **Őrizze meg ezt az utasítást.** Időnként olvassa át, és használja, amikor másokat a kéziszerszám használatára tanít be. Ha valakinek kölcsönadja a

szerszámot, akkor adja át a használati utasítást is a helytelen használat és lehetséges sérülések elkerülése érdekében.

ŐRIZZE MEG EZEKET AZ UTASÍTÁSOKAT!

MŰSZAKI ADATOK

Feszültség	56V 
Maximális levegőmennyiség a fúvókánál	986 m ³ /h
Javasolt működési hőmérséklet	От -15 до 40 °C
Javasolt tárolási hőmérséklet	От -20 до 70 °C
Maximális levegő sebesség	65m/s (kerek fúvóka nélkül)
	75m/s (Kerek fúvókával)
Kb. működési idő (EGO 5.0 Ah akkumulátorral)	18 perc (növelési üzemmód)
	30 perc (nagy sebesség)
	200 perc (alacsony sebesség)
Maximális fújóerő	18N
Lombfúvó súlya (akkumulátoregység nélkül)	2,18 kg
Mért hangteljesítményszint L _{WA}	94,73 dB(A) K=2,83 dB(A)
Hangnyomásszint a kezelő fülénél L _{PA}	78,4 dB(A) K=2,5 dB(A)
Mért hangteljesítményszint L _{WA} (a 2000/14/EK szerint)	98 dB(A)
Vibráció a _n	0,505 m/s ² K=1,5 m/s ²

- A névleges rezgési összérték mérése standard bevizsgálási módszerrel történt, és használatával a szerszámok egymással összehasonlíthatók.
- A névleges rezgési érték a kockázat előzetes felméréséhez is felhasználható.

MEGJEGYZÉS: A rezgés kibocsátás az elektromos szerszám aktuális használata közben eltérhet attól a névleges értéktől, amellyel a szerszámot használják: a kezelő védelme érdekében a használaton kesztyűt és hallásvédőt kell használnia működtetés közben.

CSOMAGOLÁS TARTALMA

ALKATRÉS NEVE	MENNYISÉG
LOMBFÚVÓ	1
LOMBFÚVÓ CSŐ	1
FÚVÓKA TARTOZÉK	2
HASZNÁLATI ÚTMUTATÓ	1

LEÍRÁS

ISMERJE MEG A LOMBFÚVÓT (A ábra)

- Lapos fúvóka
- Kerek fúvóka
- Lombfúvó cső
- Cső kioldógomb
- Alap
- Bemenő levegőnyílás
- Akkumulátor kioldó
- Elektromos csatlakozások
- Zár
- Akkumulátor kioldógomb
- Légáram trigger
- Növelés gomb
- Sebesség-/lezárás szabályozó

▲ FIGYELMEZTETÉS: A termék biztonságos használatához meg kell értenie a szerszámon és a használati útmutatóban lévő információkat, valamint ismernie kell azt a munkát, amelyet el akar végezni. A termék használata előtt ismerje meg a működési funkciókat és a biztonsági szabályokat.

ÖSSZESZERELÉS

▲ FIGYELMEZTETÉS: Ha bármely alkatrész sérült vagy hiányzik, akkor ne működtesse a terméket, amíg az alkatrészeket ki nem cserélik. Sérült vagy hiányzó alkatrészekkel való használat súlyos személyes sérülést okozhat.

▲ FIGYELMEZTETÉS: Ne próbálja megváltoztatni a terméket, és ne készítsen hozzá tartozékokat, amelyek nem javasoltak ehhez a lombfúvóhoz. Bármilyen módosítás vagy változtatás helytelen használatnak minősül, és veszélyes feltételeket teremthet, amely súlyos személyi sérüléssel végződhet.

▲ FIGYELMEZTETÉS: A véletlenszerű indítás elkerülése érdekében, amely súlyos személyi sérülést okozhat, mindig vegye ki az akkumulátoregységet a szerszámból, amikor összeszereli az alkatrészeket.

Minden használat előtt ellenőrizze a teljes terméket sérülések, hiányzó vagy laza alkatrészek, pl. csavarok, anyák, alátétek, sapkák stb. szempontjából. Biztonságosan húzzon meg minden rögzítőt és sapkát, és ne működtesse a terméket, amíg a sérült vagy hiányzó alkatrészeket ki nem cserélték.

ALKALMAZÁS

A terméket az alábbi célokra használhatja:

- Kemény felületek megtisztítása, pl. úttestek és járdák.
- A burkolatok és úttestek tisztán tartása levelektől és tülevelektől.

MEGJEGYZÉS: A szerszámot csak az előírt célokra használja. Bármilyen más használat helytelen használatnak minősül.

A LOMBFÚVÓ KEREK/LAPOS FÚVÓKA FELHELYEZÉSE/LEVÉTELE

■ Összeszerelés (B & C ábra)

Illesze be a hornyot, és tolja a csövet a lombfúvó burkolatába, amíg kattánást nem hall.

■ Kivétel (D ábra)

Nyomja meg a cső kioldógombot, és húzza ki a csövet.

A LOMBFÚVÓ SZÓRÓFEJ FELHELYEZÉSE/LEVÉTELE

■ Összeszerelés (E & F ábra)

Illesze a hornyot a szórófejbe a cső gombjával, és tolja a szórófejet a csőre, amíg a helyére nem kattán.

■ Kivétel (G ábra)

Nyomja meg és tartsa lenyomva a szórófej kioldógombot a zár kioldásához, majd egyenesen húzza le a szórófejet a lombfúvóról.

MEGJEGYZÉS: Ugyanezt a sorrendet kövesse a lapos fúvóka fel- vagy leszereléséhez.

AZ AKKUMULÁTOREGYSÉG BEHELYEZÉSE/ KIVÉTELE

Az első használat előtt teljesen töltése fel.

Csak az A.ábrán felsorolt akkumulátoregységeket és töltőket használja.

HU

■ Csatlakoztatás (H ábra)

Illessze az akkumulátor végét az akkumulátorban lévő szerelőnyíláshoz, és nyomja le az akkumulátoregységet, amíg kattantást nem hall.

■ Kivétel (I ábra)

Oldja ki az akkumulátor kioldógombot, és húzza ki az akkumulátoregységet.

▲ FIGYELMEZTETÉS: Mindig ügyeljen a lába alatti területre, gyermekekre vagy kis állatokra, amikor megnyomja az akkumulátor-kioldógombot. Súlyos sérülést okozhat, ha az akkumulátoregység kiesik. SOHA ne vegye ki az akkumulátoregységet magas helyen.

A H ábra alkatrészeinek leírását lásd lent:

H-1	Akkumulátor kioldógomb	H-3	Szerelőnyílás
H-2	Akkumulátor váz		

A LOMBFÚVÓ INDÍTÁSA/LEÁLLÍTÁSA (J ábra)

■ Csak légáram trigger

1. A lombfúvó bekapcsolásához nyomja meg a légáram triggert.
2. A lombfúvó levegő sebessége a sebességszabályozó triggerrel szabályozható. Ha jobban megnyomja a triggert, akkor nagyobb a fújási sebesség; ha kevésbé nyomja a triggert, akkor alacsonyabb a fújási sebesség. A feladathoz megfelelően állítsa be a sebességet.
3. A lombfúvó kikapcsolásához engedje el a légáram triggert.

■ Csak sebesség-/lezárás szabályozó

A lombfúvó a sebesség-/lezárás szabályozóval kapcsolható be és rögzíthető.

1. A lombfúvó elindításához fordítsa el a sebesség-/lezárás szabályozót az óramutató járásával megegyező irányba. A légáram erősödik, ha a szabályozót az óramutató járásával megegyező irányba fordítja.
2. A levegő sebességének csökkentéséhez fordítsa a sebesség-/lezárás szabályozót az óramutató járásával ellenkező irányba.
3. A lombfúvó leállításához fordítsa a sebesség-/lezárás szabályozót az óramutató járásával ellenkező irányba a ki állásig.

MEGJEGYZÉS: Ha a sebesség-/lezárás szabályozót nem fordítja vissza a ki állásig, mielőtt bekapcsolja a lombfúvót, akkor a lombfúvó nem indul el a sebesség-/lezárás szabályozóval, ha a feltöltött akkumulátor be van helyezve. Ez egy védelmi funkció a véletlenszerű bekapcsolás megakadályozása érdekében. A légáram trigger megnyomása kikapcsolja a védelmet.

Működés közben nyomja meg a növelés gombot, hogy a levegő sebességét ideiglenesen a maximális szintre emelje. A lombfúvó visszaáll az előző sebességre, ha elengedi ezt a növelés gombot.

A J ábra alkatrészeinek leírását lásd lent:

J-1	Sebesség-/lezárás szabályozó	J-3	Légáram trigger
J-2	Növelés gomb		

Tipppek a lombfúvó használatához

- Ahhoz, hogy a hulladék ne szóródjon szét, a hulladék halom külső szélein fújjon. Soha ne fújjon közvetlenül a halom középpontjába.
- A hangerősség csökkentése érdekében, korlátozott számú felszerelést használjon egyszerre.
- Lombfúvás előtt használja a gereblyét és seprőt a hulladék fellazításához. Poros körülmények között nedvesítse meg a felületet, ha van víz a közelben.
- Ügyeljen a gyermekekre, állatokra, nyitott ablakokra, vagy frissen lemosott autókra, és a hulladékot biztonságosan más irányba fújja.
- Nem javasoljuk, hogy a lombfúvót hosszabb ideig nagy sebességgel használja, mivel a nagyfokú vibráció és zaj káros lehet az egészségre.
- Nem javasoljuk, hogy a lombfúvót hosszabb ideig nagy sebességgel használja, mivel a nagyfokú vibráció és zaj káros lehet az egészségre.

KARBANTARTÁS

▲ FIGYELMEZTETÉS: Javításkor használjon azonos pótalkatrészeket. Más alkatrészek használata veszélyt okozhat, vagy megrongálhatja a terméket. A biztonságosság és megbízhatóság biztosítása érdekében minden javítást szakképzett szerviztechnikus hajtson végre.

▲ FIGYELMEZTETÉS: A súlyos személyi sérülések elkerülése érdekében mindig vegye ki az akkumulátoregységet a termékből tisztítás vagy karbantartás alatt.

ÁLTALÁNOS KARBANTARTÁS

A műanyag alkatrészek tisztításához ne használjon oldószereket. A legtöbb műanyag a vegyi oldószerek által deformálódás általi sérülésnek van kitéve, ezek megromlhatják őket. Használjon tiszta ruhát a szennyeződés, por, olaj, zsír stb. eltávolításához.

▲ FIGYELMEZTETÉS: Fékolaj, üzemanyag, petróleum alapú termékek, behatoló olajok stb. soha ne érintkezzenek a műanyag alkatrészekkel. A vegyszerek megromlhatják, gyengíthetik vagy megsemmisíthetik a műanyagot, amely súlyos személyi sérülést okozhat.

TÁROLÁS

- Vegye ki az akkumulátoregységet a lombfűvóból.
- Tisztítson meg minden idegen anyagot a lombfűvó levegőbemeneteiből.
- Gyermek számára nem elérhető helyen tárolja. Tartsa távol maró hatású szerektől, például kerti vegyszerektől, és jégmentesítő sótól.

A környezet védelme



Ne dobja az elektromos felszerelést, az akkumulátor töltőt és az akkumulátorokat/újratölthető akkumulátorokat a háztartási hulladékok közé!

Az elektromos és elektronikus berendezések hulladékairól szóló 2012/19/EU európai törvény, amely már nincs érvényben, és az 2006/66/EK európai törvény értelmében a sérült vagy elhasznált akkumulátoregységeket/akkumulátorokat környezetbarát módon külön kell gyűjteni és ártalmatlanítani.

Ha az elektromos berendezéseket talajfeltöltési vagy árokbetömési célokra használják, olyan veszélyes anyagok kerülhetnek belőlük a talajvízbe, majd onnan a táplálkozási láncba, amelyek veszélyeztetik az egészséget.

HIBAELHÁRÍTÁS

PROBLÉMA	A PROBLÉMA OKA	MEGOLDÁS
A lombfűvő nem működik.	<ul style="list-style-type: none">■ Az akkumulátoregység nincs csatlakoztatva a lombfűvőbe.■ Nincs elektromos kapcsolat a lombfűvő és az akkumulátor között.■ Az akkumulátoregység lemerült.■ Az akkumulátoregység vagy a lombfűvő túl forró.■ A sebesség-/lezárás szabályozót nem fordította vissza ki állásba a lombfűvő bekapcsolása előtt.	<ul style="list-style-type: none">■ Csatlakoztassa az akkumulátoregységet a lombfűvőhöz.■ Vegye ki az akkumulátoregységet, ellenőrizze a csatlakozást, és helyezze vissza az akkumulátoregységet.■ Töltse fel az akkumulátoregységet.■ Hűtse le az akkumulátoregységet és a lombfűvőt 67 °C alatti hőmérsékletre. Nyomja meg a sebesség-/lezárás szabályozót a védelem kikapcsolásához, és indítsa el a lombfűvőt, vagy először fordítsa el a sebesség-/lezárás szabályozót ki állásba.
A levegő sebesség jelentősen csökken.	<ul style="list-style-type: none">■ A motor ventilátor túlzott kopása.■ A levegőbemenetet hulladék tömíti el.	<ul style="list-style-type: none">■ Forduljon az EGO szervizközponthoz a javításhoz.■ Vegye ki az akkumulátoregységet, távolítsa el a hulladékot.

GARANCIA

EGO GARANCIÁLIS FELTÉTELEK

HU

Kérjük, látogasson el az egopowerplus.com oldalra, ahol megtalálja a részletes EGO garanciális feltételeket.

CITIȚI TOATE INSTRUCȚIUNILE!



CITIȚI MANUALUL DE INSTRUCȚIUNI

OBSERVAȚIE: Aceste instrucțiuni sunt disponibile și în format alternativ, de exemplu pe un website.

⚠ Riscuri reziduale! Persoanele cu dispozitive electronice precum stimulatoare cardiace ar trebui să-și consulte medicul (medicii) înainte de a utiliza acest produs. Utilizarea unui echipament electric în imediata apropiere a unui stimulator cardiac poate cauza interferențe sau până la stimularea lui.

⚠ AVERTISMENT: Pentru siguranța și fiabilitatea produsului, toate reparațiile ar trebui efectuate de către un tehnician de service autorizat.

SIMBOLURI PRIVIND SIGURANȚA

Scopul simbolurilor privind siguranța este să vă atragă atenția asupra pericolelor posibile. Simbolurile privind siguranța și explicațiile furnizate cu acestea merită atenția și înțelegerea dumneavoastră. Simbolurile de avertizare, ele singure, nu elimină niciun pericol. Instrucțiunile și avertismentele pe care le oferă nu pot înlocui măsurile corecte de prevenire a accidentelor.

⚠ AVERTISMENT: Asigurați-vă că ați citit și înțelegeți toate instrucțiunile privind siguranța din acest Manual de utilizare, inclusiv toate simbolurile de alertă privind siguranța precum "PERICOL," "AVERTISMENT," și "ATENȚIE" înainte de a utiliza această sculă. Nerespectarea tuturor avertismentelor și instrucțiunilor poate duce la electrocutare, incendiu și/sau răni grave.

PREVENIREA AVARIILOR ȘI MESAJELE INFORMATIVE

Acestea informează utilizatorul asupra informațiilor importante și/sau instrucțiunilor care ar putea duce la avarierea echipamentului ori la alte pagube dacă nu sunt respectate. Fiecare mesaj este precedat de cuvântul "OBSERVAȚIE", precum în exemplul de mai jos:

OBSERVAȚIE: Echipament și/sau pagube materiale pot rezulta dacă aceste instrucțiuni nu sunt respectate.



⚠ AVERTISMENT: Operarea oricăror scule electrice poate rezulta în proiectarea înspre ochii dumneavoastră a unor obiecte străine, ceea ce poate duce la vătămări grave ale ochilor. Înainte de a începe să utilizați scula electrică, întotdeauna purtați ochelari de protecție cu apărători laterale și vizieră facială completă când este nevoie. Vă recomandăm să purtați o Vizieră lată de protecție peste ochelarii de vedere sau ochelari de protecție standard cu apărători laterale.

INSTRUCȚIUNI PRIVIND SIGURANȚA

Această pagină descrie simbolurile de siguranță ce pot apărea pe acest produs. Citiți, înțelegeți, și respectați toate instrucțiunile de pe mașină înainte de asamblare și operare.

	Alertă privind siguranța	Precauții care implică siguranța dumneavoastră.
	Purtați echipament de protecție oculară	Purtați întotdeauna ochelari de protecție sau ochelari de protecție cu apărători laterale și o vizieră facială completă când utilizați acest produs.
	Purtați echipament de protecție auditivă	Purtați întotdeauna echipament de protecție auditivă când utilizați această sculă.
	Citiți manualul de instrucțiuni	Pentru reducerea riscului de vătămări, utilizatorul trebuie să citească manualul de utilizare înainte de a utiliza acest produs.
	Țineți trecătorii la distanță	Țineți toți trecătorii la o distanță de cel puțin 15 m.
V	Volt	Voltaj
A	Amperi	Rezistență
Hz	Hertz	Frecvență (cicluri pe secundă)
W	Watt	Putere
min	Minute	Durată

RO

m ³ /h	Metru cub pe oră	Volum de aer
km/h	Kilometri pe oră	Viteză aer
~	Curent alternativ	Tip de curent
— — —	Curent continuu	Tip sau o caracteristică a curentului
n ₀	Turație de mers în gol	Turație de mers în gol
... /min	Pe minut	Revoluții pe minut

La utilizarea aparatelor electrice, se vor respecta întotdeauna instrucțiunile baze de siguranță, inclusiv următoarele:

INSTRUCȚIUNI GENERALE DE SIGURANȚĂ PENTRU SCULE ELECTRICE

⚠️ AVERTISMENT: CITIȚI TOATE INSTRUCȚIUNILE, AVERTIZĂRILE DE SIGURANȚĂ, ILUSTRAȚIILE ȘI SPECIFICAȚIILE LIVRATE ÎMPREUNĂ CU

ACEASTĂ SCULĂ ELECTRICĂ. Nerespectarea tuturor instrucțiunilor enumerate mai jos se poate solda cu șoc electric, incendiu și/sau vătămare corporală gravă.

PĂSTRAȚI TOATE AVERTIZĂRILE ȘI INSTRUCȚIUNILE PENTRU CONSULTARE ULTERIOARĂ.

Termenul „sculă electrică” din avertizări se referă la scula electrică (cu cablu) alimentată de la rețeaua electrică sau scula electrică (fără cablu de alimentare) care funcționează cu acumulator.

SIGURANȚA ZONEI DE LUCRU

- **Păstrați zona de lucru curată și bine iluminată.** Zonele dezordonate și întunecoase predispun la accidente.
- **Nu puneți în funcțiune sculele electrice în atmosfere explozive, cum ar fi în prezența lichidelor, gazelor sau prafurilor inflamabile.** Sculele electrice creează scânteii, care pot aprinde praful sau gazele.
- **Țineți copiii și persoanele prezente la distanță atunci când operați o sculă electrică.** Distragerea atenției vă poate face să pierdeți controlul.

SIGURANȚA ELECTRICĂ

- **Ștecherul sculei electrice trebuie să corespundă cu priza de rețea electrică. Nu modificați niciodată ștecherul. Nu utilizați un adaptor de priză cu scule electrice împământate.** Ștecherile nemodificate și prizele adecvate vor reduce riscul de electrocutare.

- **Evitați contactul corpului cu suprafețele legate la împământare, cum sunt țevile, caloriferele, mașinile de gătit și frigidererele.** Acest lucru reprezintă un risc sporit de electrocutare în cazul care corpul dumneavoastră este împământat.
- **Nu expuneți încărcătorul la ploaie sau condiții de umezeală.** Pătrunderea apei în încărcător va crește riscul de electrocutare.
- **Nu folosiți în mod abuziv cablul de alimentare. Nu utilizați niciodată cablul de alimentare pentru transportul, tragerea sau scoaterea din priză a încărcătorului. Țineți cablul de alimentare departe de căldură, ulei, margini tăioase sau piese în mișcare.** Cablurile electrice deteriorate sau încălcite cresc riscul de electrocutare.
- **Când utilizați o sculă electrică în aer liber utilizați un cablu prelungitor adecvat pentru utilizarea în aer liber.** Utilizarea unui cablu adecvat pentru aer liber reduce riscul de electrocutare.
- **Dacă utilizarea unei scule electrice într-o zonă umedă este inevitabilă, utilizați o sursă de alimentare protejată cu un întrerupător de protecție la defecțiune circuit de împământare.** Utilizarea unui astfel de întrerupător reduce riscul de electrocutare.

SIGURANȚA PERSONALĂ

- **Păstrați-vă vigilența, urmăriți ceea ce faceți și apălați la bunul simț când utilizați o sculă electrică. Nu utilizați o sculă electrică când sunteți obosit, sau sub influența medicamentelor, a alcoolului sau a medicației.** Un moment de neatenție în timp ce utilizați sculele electrice se poate solda cu vătămări grave.
- **Utilizați echipamente de protecție personală. Purtați întotdeauna protecție oculară.** Echipamentele de protecție, cum ar fi masca de praf, bocancii de protecție antiderapanți, casca sau antifoanele utilizate în condiții corespunzătoare, vor reduce vătămrile corporale.
- **Preveniți pornirea accidentală. Asigurați-vă că întrerupătorul este în poziția oprit înainte de a conecta la o sursă de alimentare și/sau set de acumulatori, înainte de a ridica sau transporta scula.** Transportul sculelor electrice cu degetul pe întrerupător sau cu alimentarea cu energie electrică pornită, predisune la accidente.
- **Îndepărtați orice cheie de reglare înainte de a porni scula electrică.** O cheie lăsată într-o piesă rotativă a sculei electrice poate duce la accidente.
- **Nu vă întindeți excesiv. Păstrați-vă întotdeauna o poziție stabilă a picioarelor și echilibrul.** Astfel veți avea un mai bun control asupra sculei electrice în situații neașteptate.

RO

- **Îmbrăcați-vă corespunzător. Nu purtați haine largi sau bijuterii. Păstrați-vă părul, îmbrăcămintea și mânușile departe de componentele în mișcare.** Îmbrăcămintea largă, bijuteriile sau părul lung pot fi prinse de piesele în mișcare.
- **Dacă sunt furnizate dispozitive pentru conectarea sistemelor de extragere și colectare a prafului, asigurați-vă că acestea sunt conectate și utilizate corespunzător.** Utilizarea dispozitivelor colectoare de praf poate reduce pericolele legate de praf.
- **Nu permiteți ca familiaritatea dobândită în urma utilizării frecvente a sculelor să vă facă să neglijați sau să nesocotiți principiile de siguranță ale sculei.** Un gest neglijent poate cauza răni grave într-o fracțiune de secundă.

UTILIZAREA ȘI ÎNGRIJIREA SCULELOR ELECTRICE

- **Nu forțați scula electrică. Utilizați scula electrică corespunzătoare pentru aplicația dumneavoastră.** Scula electrică corectă va face o treabă mai bună și mai sigură utilizată conform specificațiilor pentru care a fost concepută.
- **Nu utilizați scula electrică dacă întrerupătorul nu comută pe pozițiile pornit și oprit.** Orice sculă electrică ce nu poate fi controlată cu întrerupătorul este periculoasă și trebuie reparată.
- **Deconectați ștecherul de la sursa de alimentare și/sau setul de acumulatori de scula electrică înainte de efectuarea oricăror reglaje, schimbări de accesorii sau înainte de depozitarea sculelor electrice.** Astfel de măsuri preventive de siguranță reduc riscul de pornire accidentală a sculei electrice.
- **Depozitați sculele electrice într-un loc inaccesibil copiilor și nu permiteți utilizarea sculei electrice de persoane nefamiliarizate cu aceasta sau cu aceste instrucțiuni.** Sculele electrice sunt periculoase în mâna utilizatorilor neinstruiți.
- **Întrețineți sculele electrice. Verificați dacă există abateri de la coaxialitate sau îndoiri ale pieselor în mișcare, avarii ale pieselor și orice altă situație care poate afecta funcționarea sculelor electrice. În caz de deteriorare, reparați scula electrică înainte de utilizare.** Multe accidente sunt cauzate de sculele electrice prost întreținute.
- **Mențineți sculele de tăiere ascuțite și curate.** Elementele de tăiere întreținute corespunzător și cu muchii de tăiere ascuțite sunt mai puțin probabil să se îndoie și sunt mai ușor de controlat;
- **Utilizați scula electrică, accesoriile și cuțitele demontabile etc. în conformitate cu aceste instrucțiuni, ținând cont de condițiile de lucru și lucrarea de efectuat.** Utilizarea sculei electrice pentru operații diferite de cele intenționate s-ar putea solda cu o situație periculoasă.
- **Mențineți mânerul și suprafețele de apucat uscate, curate și fără ulei și vaselină.** Mănerul și suprafețele de apucare alunecoase nu permit manevrarea în siguranță și controlul asupra sculei în situații neașteptate.

UTILIZAREA ȘI ÎNGRIJIREA ACUMULATORULUI

- **Reincărcați numai cu încărcătorul specificat de producător.** Un încărcător adecvat pentru un tip de set de acumulatori poate prezenta risc de incendiu dacă e utilizat cu alt set de acumulatori.
- **Utilizați sculele electrice doar cu seturile de acumulatori special menționate.** Utilizarea oricărui alt set de acumulatori prezintă risc de accidente și incendiu.
- **Când nu se utilizează setul de acumulatori, țineți-l departe de alte obiecte metalice precum clamele de hârtie, monedele, cheile, cuiele, șuruburile sau alte obiecte metalice mici care pot realiza o conexiune între borne.** Scurtcircuitarea bornelor bateriei poate produce arsuri sau un incendiu.
- **În condiții abuzive se poate scurge lichid din acumulator; evitați contactul. Dacă are loc contactul accidental, clătiți cu apă. Dacă lichidul intră în contact cu ochii, efectuați suplimentar un consult medical.** Lichidul scurs din acumulator poate produce iritații sau arsuri.
- **Nu utilizați un set de acumulatori sau o sculă avariată sau modificată.** Acumulatorii deteriorați sau modificați pot prezenta comportament imprevizibil, care poate duce la incendiu, explozie sau risc de vătămare.
- **Nu expuneți setul de acumulatori la foc sau la temperaturi excesive.** Expunerea la foc sau la temperaturi de peste 130°C poate provoca explozie.
- **Respectați instrucțiunile de încărcare și nu încărcați setul de acumulatori sau scula în afara intervalului de temperatură specificat în instrucțiuni.** Încărcarea necorespunzătoare sau la temperaturi în afara domeniului specificat poate duce la deteriorarea acumulatorului și la creșterea riscului de incendiu.

DEPANARE

- **Apelați numai la o persoană calificată pentru a vă repara scula electrică utilizând numai piese de schimb identice.** Astfel se asigură menținerea nivelului de siguranță al sculei electrice.
- **Nu efectuați niciodată operații de service asupra seturilor de acumulatori avariați.** Depanarea acumulatorilor trebuie să fie efectuată numai de producător sau de prestatorii autorizați de servicii.

RO

DE UTILIZAREA ACESTUI PRODUS!

INSTRUIRE

- Nu permiteți copiilor, persoanelor cu capacități fizice, senzoriale sau mentale reduse ori lipsite de experiență și cunoștințe sau persoanelor nefamiliarizate cu aceste instrucțiuni să utilizeze mașina.
- Operatorul sau utilizatorul este responsabil de accidentele sau pericolele care se întâmplă altor persoane sau bunurilor acestora.

PREGĂTIREA

- Nu expuneți scula electrică la ploaie sau condiții de umiditate. Uscați scula electrică după terminarea lucrării.
- Înaintea utilizării, verificați acumulatorii sau seturile de acumulatori pentru depistarea avariilor. Nu utilizați aparatul dacă acumulatorii sau seturile de acumulatori sunt avariate.

FUNCȚIONAREA

- Scula electrică poate fi utilizată în ploaie sau în condiții de umiditate. Uscați scula electrică după terminarea lucrării.
- Deconectați acumulatorii sau seturile de acumulatori
 1. Ori de câte ori plecați de lângă mașină;
 2. Înainte de eliminarea unui blocaj;
 3. Înainte de verificarea, curățarea sau orice intervenție adusă aparatului;
 4. Dacă aparatul începe să vibreze anormal.
- Mențineți întotdeauna o poziție stabilă pe pante.
- Mergeți, nu alergați niciodată.
- Păstrați toate prizele de răcire cu aer neobstrucționate de resturi.
- Vă recomandăm să utilizați mașina numai la ore rezonabile - nici dimineața devreme sau seara târziu când ar putea deranja persoanele.
- Vă recomandăm să umeziți ușor suprafețele în condiții de praf sau să utilizați accesoriul de pulverizare.

⚠ AVERTISMENT: Pericol, părți rotative!

- Utilizați extensia completă a duzei suflantei astfel încât curentul de aer să ajungă aproape de sol.
- Nu utilizați mașina în apropierea ferestrelor deschise, etc.

ÎNȚREȚINEREA ȘI DEPOZITAREA

- Mențineți strânse toate piulițele și șuruburile, pentru a fi siguri că aparatul este în stare bună de funcționare.
- Înlocuiți piesele uzate sau defecte.
- Utilizați numai piese de schimb și accesorii originale.
- Depozitați aparatul numai într-un loc uscat.

⚠ AVERTISMENT: Pentru a evita riscul de incendiu, șoc electric sau rănire:

IMPORTANT

CITIȚI CU ATENȚIE ÎNAINTE DE UTILIZARE.

PĂSTRAȚI PENTRU CONSULTARE ULTERIOARĂ.

- Nu permiteți copiilor să utilizeze suflanta ca și jucărie. Se recomandă atenție sporită când aparatul este utilizat de către sau în vecinătatea copiilor.
- Dacă suflanta nu funcționează cum ar trebui, a fost scăpată pe jos, avariată sau scăpată în apă, predați-o unui centru de service.
- Nu introduceți niciun obiect în fante. Nu utilizați aparatul dacă vreuna dintre fante este blocată; păstrați fantele curate, fără praf, scame, păr și orice altceva care ar putea reduce fluxul de aer.
- Fiți extrem de atent(ă) când curățați pe scări.
- Nu lăsați suflanta nesupravegheată când Priza acumulatorului este conectată. Îndepărtați acumulatorul când suflanta nu este utilizată și înainte de efectuarea operațiilor de service.
- Nu manevrați încărcătorul, inclusiv ștecherul acestuia sau terminalele încărcătorului dacă aveți mâinile ude.
- Încărcați setul de acumulatori în aer liber.

⚠ AVERTISMENT:

- Setul de acumulatori trebuie scos din aparat înainte de eliminarea acestuia.
- Acumulatorul trebuie eliminat într-un mod nepericulos.
- **NU** încercați să îndepărtați blocajele din aparat fără să detașați mai întâi acumulatorul.
- **Mențineți suflanta și mânerul său uscat, curat și fără ulei sau unsoare.** Utilizați întotdeauna o cârpă curată la curățare. Nu utilizați lichid de frână, benzină, produse pe bază de petrol sau orice alți solvenți puternici pentru a vă curăța suflanta. Respectarea acestei reguli va reduce riscul de pierdere a controlului și de deteriorare a carcasei din plastic.

- **Acumulatorii pot exploda în prezența unei surse de aprindere precum o lampă indicatoare.** Pentru a reduce riscul de accidentare personală gravă, nu utilizați niciodată un produs fără fir în prezența unei flăcări deschise. Un acumulator care explodează poate proiecta resturi și chimicale. În caz de expunere, clătiți imediat cu apă.
- **Nu puneți niciodată aparatul în funcțiune fără echipamentul corect atașat.** Întotdeauna asigurați-vă că tubul suflantei este instalat.
- **Nu utilizați niciodată suflanta în apropierea focului sau a cenușii fierbinți.** Utilizarea în apropierea focurilor sau cenușii poate propaga focurile și rezulta în vătămări grave și/sau pagube materiale.
- **Nu utilizați niciodată suflanta pentru împrăștierea chimicalelor, fertilizatorilor sau a altor substanțe toxice.** Împrăștierea acestor substanțe poate cauza rănirea gravă a utilizatorului și a trecătorilor.
- **Păstrați aceste instrucțiuni.** Consultați-le frecvent și utilizați-le pentru a instrui alte persoane care ar putea utiliza această sculă electrică. Dacă împrumutați cuiva această sculă, împrumutați-i și aceste instrucțiuni pentru a preveni utilizarea inadecvată a produsului și posibile răni.

PĂSTRAȚI ACESTE INSTRUCȚIUNI!

SPECIFICAȚII

Volumul maxim al aerului la duză	56V
Volum de aer	986 m ³ /h
Temperatură de funcționare recomandată	-15°C-40°C
Temperatură de depozitare recomandată	-20°C-70°C
Viteză maximă aer	65m/s (fără duză rotundă)
	75m/s (Cu duză rotundă)
Timp de funcționare aprox. (cu acumulator EGO 5,0Ah)	18 min (Mod de intensificare)
	30 min (Viteză ridicată)
	200 min (Viteză redusă)
Forța maximă de suflare	18N
Greutate suflantă (fără set de acumulatori)	2,18 kg

Nivel de putere sonoră măsurată L_{WA}	94,73 dB(A) K=2,83 dB(A)
Nivel de presiune sonoră la urechea operatorului L_{PA}	78,4 dB(A) K=2,5 dB(A)
Nivel de putere sonoră garantată L_{WA} (conform 2000/14/CE)	98 dB(A)
Vibrații a_h	0,505 m/s ² K=1,5 m/s ²

- Valoarea totală declarată a vibrațiilor a fost măsurată în conformitate cu o metodă standard de testare și poate fi utilizată pentru compararea sculelor între ele;
- Valoarea totală declarată poate fi utilizată în evaluarea preliminară a expunerii.

OBSERVAȚIE: Vibrațiile emise în timpul utilizării efective a sculei electrice pot diferi față de valoarea celor declarate pentru scula utilizată; Pentru protejarea operatorului, utilizatorul trebuie să poarte mănuși și protecții auditive în timpul utilizării efective a produsului.

CONȚINUTUL AMBALAJULUI

DENUMIRE PIESĂ	CANTITATE
Suflantă	1
Tub suflantă	1
Accesoriu tip duză	2
Manual de instrucțiuni	1

RO

DESCRIERE

DESCRIEREA SUFLANTEI (Fig. A)

1. Duză plată
2. Duză rotundă
3. Tub de suflat
4. Buton de eliberare a tubului
5. Bază
6. Admisie a aerului
7. Scoaterea acumulatorului
8. Contacte electrice
9. Zăvor
10. Buton de eliberare a acumulatorului
11. Declanșator de viteză a aerului

- 12. Buton de intensificare
- 13. Buton de viteză/blocare

⚠️ AVERTISMENT: Pentru a utiliza în siguranță acest produs este nevoie să înțelegeți informațiile de pe sculă și din acest manual de instrucțiuni precum și să dobândiți cunoștințe suficiente asupra lucrării pe care doriți să o executați. Înainte de a utiliza aparatul, familiarizați-vă cu toate caracteristicile de utilizare și cerințele privind siguranța.

ASAMBLARE

⚠️ AVERTISMENT: În caz de piese avariate sau care lipsesc, nu utilizați acest produs dacă piesele nu sunt înlocuite. Utilizarea acestui produs cu piese avariate sau lipsă poate rezulta în vătămări personale grave.

⚠️ AVERTISMENT: Nu încercați să modificați acest produs sau să creați accesorii nerecomandate pentru această suflantă. Orice alterare sau modificare este considerată utilizare greșită și poate duce la condiții periculoase ce pot rezulta în vătămări personale grave.

⚠️ AVERTISMENT: Pentru a preveni pornirea accidentală care ar putea provoca vătămări corporale grave, scoateți întotdeauna acumulatorul din sculă atunci când asamblați componenta.

SCOPIUL UTILIZĂRII

Puteți utiliza acest produs în scopurile menționate mai jos:

- Curățarea suprafețelor dure precum căi de acces și alei.
- Îndepărtarea frunzelor și a acelor de pin de pe terase și căi de acces.

OBSERVAȚIE: Scula trebuie utilizată numai în scopul pentru care a fost proiectată. Orice altă utilizare este considerată a fi caz de utilizare necorespunzătoare.

ASAMBLAREA/DETAȘAREA TUBULUI SUFLANTEI

- **Asamblarea (Fig. B & C)**

Aliniați canelura și împingeți tubul pe suflantă până auziți un clic.

- **Îndepărtarea (Fig. D)**

Apăsați butonul de detașare al tubului și trageți tubul în afară.

ASAMBLAREA/DEMONTAREA DUZEI ROTUNDE/ PLATE A SUFLANTEI

- **Asamblarea (Fig. E & F)**

Aliniați canelura din duza evazată cu proeminența tubului și împingeți duza în tub până la anclanșarea acesteia.

- **Îndepărtarea (Fig. G)**

Apăsați și mențineți apăsat butonul de detașare al duzei pentru a dezactiva încuietura, după care trageți duza direct de pe suflantă.

PRECIZARE: Parcurgeți aceeași ordine pentru asamblarea sau demontarea duzei plate.

INSTALAREA/ÎNDEPĂRTAREA SETULUI DE ACUMULATORI

Încărcați acumulatorul complet înainte de prima utilizare.

Utilizați numai seturile de acumulatori și încărcătorii din fig.A.

- **Pentru atașare (Fig. H)**

Aliniați nervurile de pe acumulator cu fantele de instalare și apăsați în jos setul de acumulatori până la auzul unui clic.

- **Pentru detașare (Fig. I)**

Apăsați butonul de detașare al setului de acumulatori și scoateți setul de acumulatori.

⚠️ AVERTISMENT: Întotdeauna țineți cont de amplasamentul picioarelor dumneavoastră, a copiilor sau a animalelor când apăsați butonul pentru detașarea acumulatorului. Pot fi cauzate răni grave în cazul căderii acumulatorului. Nu îndepărtați NICIODATĂ acumulatorul când vă aflați la înălțime.

A se vedea mai jos descrierea pieselor din Fig. H:

H-1	Buton de eliberare a acumulatorului	H-3	Slot pentru montare
H-2	Nervură a acumulatorului		

PORNIREA/OPRIREA SUFLANTEI (Fig. J)

- **Numai declanșatorul de viteză a aerului**

1. Apăsați declanșatorul de viteză a aerului pentru a porni suflanta.

- Viteza aerului suflantei este controlată cu declanșatorul de viteză variabilă. O presiune mai mare asupra declanșatorului are ca rezultat viteze mai mari de suflare; o presiune mai mică asupra declanșatorului determină viteze mai mici de suflare. Reglați viteza pentru a corespunde lucrării de efectuat.
- Eliberați declanșatorul de viteză a aerului pentru a opri suflanta.

■ **Numai butonul de viteză/blocare**

Suflanta poate fi pornită și blocată la orice viteză cu ajutorul butonului de viteză/blocare.

- Rotiți butonul de viteză/blocare în sensul acelor de ceasornic pentru a porni suflanta. Viteza aerului va crește pe măsură ce butonul este rotit în sensul acelor de ceasornic.
- Pentru a reduce viteza aerului, rotiți butonul de viteză/blocare în sens invers acelor de ceasornic.
- Continuați să rotiți butonul de viteză/blocare în sens invers acelor de ceasornic în poziția oprit pentru a opri suflanta.

PRECIZARE: Dacă butonul de viteză/blocare nu este rotit înapoi în poziția oprit înainte de a porni suflanta, suflanta nu va porni prin acționare de la butonul de viteză/blocare atunci când este instalat un acumulator încărcat. Aceasta este o caracteristică de protecție pentru a preveni pornirea accidentală. Apăsarea declanșatorului de viteză a aerului poate dezactiva protecția.

Apăsăți pe butonul de intensificare în timp ce lucrați pentru a crește temporar viteza aerului până la nivelul maxim. Suflanta va relua viteza anterioară când butonul de intensificare este eliberat.

A se vedea mai jos descrierea pieselor din Fig. J:

J-1	Buton de viteză/blocare	J-3	Declanșator de viteză a aerului
J-2	Buton de intensificare		

Sfaturi pentru utilizarea suflantei

- Pentru a preveni împrăștierea resturilor vegetale, suflați în jurul marginilor exterioare a unei grămezi de reziduuri. Nu suflați niciodată direct în centrul grămezii.
- Pentru a reduce nivelul sonor, limitați numărul de echipamente folosite simultan.
- Utilizați greble și mătură pentru a detașa resturile înainte de a le sufla. În condiții cu praf, umeziți ușor suprafețele când dispuneți de apă.
- Atenție la copii, animale, ferestre deschise sau mașini proaspăt spălate și suflați resturile în siguranță.

- După utilizarea suflantelor sau a altor echipamente, curățați! Eliminați resturile într-un mod corect.
- Nu se recomandă să utilizați suflanta la o viteză mare pentru o perioadă lungă de timp, deoarece vibrațiile mari și zgomotul pot fi dăunătoare pentru sănătatea dumneavoastră.

ÎNȚEȚINEREA

⚠️ AVERTISMENT: Când efectuați operații de service, utilizați doar piese de schimb identice. Utilizarea oricăror altor piese poate crea un pericol sau poate produce o deteriorare. Pentru siguranța și fiabilitatea produsului, toate reparațiile ar trebui efectuate de către un tehnician de service autorizat.

⚠️ AVERTISMENT: Pentru evitarea vătămărilor personale grave, îndepărtați întotdeauna setul de acumulatori din sculă când curățați sau efectuați orice operație de întreținere.

ÎNȚEȚINERE GENERALĂ

Evitați utilizarea solvenților când curățați piese din plastic. Majoritatea pieselor din plastic sunt susceptibile să se deterioreze de la diverse tipuri de solvenți comerciali și se pot defecta prin utilizarea acestora. Utilizați cărpe curate pentru a îndepărta murdăria, praful, uleiul, vaselina etc.

⚠️ AVERTISMENT: Nu permiteți niciodată lichidelor de frână, benzinei, produselor petroliere, uleiurilor penetrante etc. să intre în contact cu piese din plastic. Substanțele chimice pot deteriora, pot slăbi sau pot distruge plasticul, ceea ce se poate solda cu vătămări grave.

RO

DEPOZITAREA

- Scoateți acumulatorul din suflanta.
- Îndepărtați toate materialele străine din prizele de aer ale suflantei.
- Depozitați-o în interior, într-un loc inaccesibil copiilor. Țineți-o la distanță de agenți corozivi, precum substanțele chimice de grădină și sărurile de dezghețare.

Protejarea mediului înconjurător



Nu eliminați echipamentul electric, încărcătorul de acumulatori și bateriile/acumulatorii împreună cu deșeurile menajere!

Conform Directivei europene 2012/19/UE, sculele echipamentele electrice și electronice care nu mai sunt utilizabile, și conform Directivei europene 2006/66/CE, seturile de acumulatori/bateriile defecte sau uzate trebuie colectate separat și eliminate într-un mod ecologic corect.

Dacă aparatele electrice sunt aruncate la groapa de gunoi sau la haldă, se pot scurge substanțe periculoase în pânza freatică și acestea pot intra în lanțul trofic, afectându-vă sănătatea și bunăstarea.

GHID DE DEPANARE

PROBLEMĂ	CAUZĂ	SOLUȚIE
Suflanta nu funcționează.	<ul style="list-style-type: none"> ■ Setul de acumulatori nu este atașat la suflantă. ■ Nu există contact electric între suflantă și acumulator. ■ Setul de acumulatori este descărcat. ■ Setul de acumulatori sau suflanta sunt prea fierbinți. ■ Butonul de viteză/blocare nu a fost întors în poziția oprit înainte de a porni suflanta. 	<ul style="list-style-type: none"> ■ Atașați setul de acumulatori de suflantă. ■ Îndepărtați acumulatorul, verificați contactele și reinstalați setul de acumulatori. ■ Încărcați setul de acumulatori. ■ Lăsați setul de acumulatori și suflanta să se răcească până când temperatura scade sub 67°C. Apăsăți declanșatorul de viteză a aerului pentru a dezactiva protecția și a porni suflanta sau rotiți mai întâi butonul de viteză/blocare în poziția oprit.
Viteza aerului scade semnificativ.	<ul style="list-style-type: none"> ■ Uzare excesivă a ventilatorului motorului. ■ Admisia de aer este blocată cu resturi. 	<ul style="list-style-type: none"> ■ Contactați centrul de service EGO pentru reparații. ■ Îndepărtați setul de acumulatori, curățați resturile.

GARANȚIA

POLITICA DE GARANȚIE EGO

Vă rugăm consultați website-ul egopowerplus.com pentru termenii și condițiile complete ale politicii de garanție EGO.

RO

PREBERITE VSA NAVODILA!



PREBERITE PRIROČNIK Z NAVODILI ZA UPORABO

OPOMBA: Ta navodila morajo biti na voljo tudi v drugačnem formatu, na primer na spletni strani.

⚠️ Preostalo tveganje! Pred uporabo izdelka se morajo osebe z elektronskimi napravami, kot je srčni spodbujevalnik, posvetovati s svojim zdravnikom. Delovanje električne opreme v bližini srčnega spodbujevalnika lahko povzroči motnje ali okvaro srčnega spodbujevalnika.

⚠️ OPOZORILO: Za zagotovitev varnosti in zanesljivosti mora vsa popravila izvesti usposobljen serviser.

VARNOSTNI SIMBOLI

Namen varnostnih simbolov je, da pritegnejo vašo pozornost na morebitne nevarnosti. Varnostni simboli in njihova pojasnila si zaslužijo vašo pozornost in razumevanje. Opozorilni simboli sami ne odpravljajo nobene nevarnosti. Navodila in opozorila niso nadomestilo za ustrezne ukrepe za preprečevanje nesreč.

⚠️ OPOZORILO: Poskrbite, da boste pred uporabo orodja prebrali in razumeli vsa varnostna navodila v priročniku z navodili za uporabo, vključno z vsemi simboli za varnostna opozorila, kot so »NEVARNOST«, »OPOZORILO«, in »SVARILO«. Neupoštevanje spodaj navedenih navodil se lahko odrazi v električnem udaru, požaru in/ali resnih telesnih poškodbah.

SPOROČILA ZA PREPREČEVANJE POŠKODB IN SPOROČILA Z INFORMACIJAMI

Ta uporabnika informirajo o pomembnih informacijah in/ali navodilih, ki bi lahko privedla do škode na opremi ali drugi lastnini, če jih ne bi upoštevali. Pred vsakim sporočilom se prikaže beseda »OBVESTILO«, kot je prikazano v spodnjem primeru.

OPOMBA: Če teh navodil ne boste upoštevali, lahko pride do poškodb opreme in/ali druge lastnine.



⚠️ OPOZORILO: Delovanje katerega koli električnega orodja lahko povzroči metanje tujkov v vaše oči, kar lahko povzroči resne poškodbe očesa. Pred začetkom dela z električnim orodjem vedno nosite zaščitna očala ali varnostna očala s stranskimi zaščitami in kadar je treba tudi ščit za celoten obraz. Priporočamo vam uporabo varnostne maske varnostna maska za široko vizijo za uporabo preko očal ali standardnih varnostnih očal s stransko zaščito.

VARNOSTNA NAVODILA

Na tej strani so prikazani in opisani varnostni simboli, ki se lahko pojavijo na tem izdelku. Preberite, osvojite in sledite navodilom na stroju preden ga boste poskušali sestaviti in upravljati.

	Varnostno opozorilo	Ukrepi za večjo varnost.
	Nosite zaščito za oči	Pri upravljanju tega izdelka vedno nosite zaščitna očala ali varnostna očala s stransko zaščito in zaščito za celoten obraz.
	Nosite zaščito za ušesa	Pri upravljanju tega izdelka vedno nosite zaščito za ušesa.
	Preberite priročnik z navodili za uporabo	Pred uporabo izdelka preberite ta uporabniški priročnik, zato da zmanjšate nevarnost za poškodbe.
	Prisotni naj bodo varno oddaljeni	Prisotni naj bodo oddaljeni vsaj 15m.
V	Volt	Napetost
A	Amperi	Tok
Hz	Hertz	Frekvenca (v ciklih na sekundo)
W	Watt	Napajanje
min	Minute	Čas
m ³ /h	Kubični meter na uro	Prostornina zraka

SL

km/h	Kilometri na uro	Hitrost zraka
	Izmenični tok	Vrsta toka
	Enosmerni tok	Vrsta ali značilnost toka
n_0	Št. vrtljajev v prostem teku	Hitrost vrtenja, brez obremenitve
... /min	Na minuto	Vrtljajev na minuto.

Med uporabo električne naprave vedno upoštevajte osnovne varnostne ukrepe, vključno z naslednjimi.

SPLOŠNA VARNOSTNA OPOZORILA ZA ELEKTRIČNA ORODJA

⚠ OPOZORILO: PREBERITE VSA VARNOSTNA OPOZORILA, NAVODILA IN TEHNIČNE PODATKE TER SI OGLEDJTE SLIKE, KI SO PRILOŽENI TEMU ELEKTRIČNEMU ORODJU. Zaradi neupoštevanja spodaj navedenih navodil lahko pride do električnega udara, požara in/ali hudih telesnih poškodb.

SHRANITE VSA OPOZORILA IN VSA NAVODILA ZA BODOČO REFERENCO.

Izraz »električno orodje« v opozorilih se nanaša na orodja, ki jih poganja električni tok (žična), ali na akumulatorska (brežžična) orodja.

VARNOST DELOVNEGA OBMOČJA

- **Delovno območje naj bo čisto in dobro osvetljeno.** V neurejenih in temnih območjih se rade zgodijo nesreče.
- **Električnega orodja ne upravljajte v eksplozivnih okoljih, kot je ob prisotnosti vnetljivih tekočin, plinov ali prahu.** Električno orodje ustvarja iskre, ki lahko zanetijo prah ali hlape.
- **Med uporabo električnega orodja v bližino ne pustite otrok in drugih ljudi.** Zaradi motenj pozornosti lahko izgubite nadzor.

ELEKTRIČNA VARNOST

- **Vtiči električnih orodij se morajo prilegati vtičnicam.** Vtiča nikoli ne smete spreminjati na kakršen koli način. Z ozemljenimi električnimi orodji ne uporabljajte spremenjenega vtiča. Nespremenjeni vtiči in pripadajoče vtičnice bodo zmanjšali tveganje električnega udara.
- **Izogibajte se telesnemu stiku z ozemljenimi površinami, kot so cevi, radiatorji, štedilniki in hladilniki.** Če je vaše telo ozemljeno, obstaja povečano tveganje električnega udara.
- **Polnilnika ne izpostavljajte dežju ali vlažnim pogojem.** Voda v polnilniku znatno poveča tveganje električnega udara.

- **Kabla ne uporabljajte za neustrezne namene.** Kabla ne uporabljajte za nošenje, vlečenje ali odklapanje polnilnika. Kabel hranite stran od vročine, olja, ostrih robov ali premikajočih se delov. Poškodovani ali zapleteni kabli zvišujejo tveganje električnega udara.
- **Med zunanjo uporabo električnega orodja uporabljajte podaljševalni kabel, ki je primeren za zunanjo uporabo.** Uporaba kabla, primernega za zunanjo uporabo, znižuje tveganje električnega udara.
- **Če je uporaba električnega orodja na vlažnem mestu neizogibna, uporabite stikalo za prekinitev napajanja pri najmanjšem okvarnem toku.** Uporaba te naprave bo zmanjšala nevarnost električnega udara.

OSEBNA VARNOST

- **Med uporabo električnega orodja bodite pozorni, spremljajte potek dela in uporabljajte zdrav razum.** Električnega orodja ne uporabljajte, kadar ste utrujeno ali pod vplivom drog, alkohola ali zdravil. Trenutek nepazljivosti med uporabo električnega orodja lahko privede do resnih telesnih poškodb.
- **Uporabljajte osebno varovalno opremo. Vedno nosite zaščito za oči.** Če v različnih okoliščinah nosite ustrezno zaščitno opremo, kot so maska proti prahu, obutev z nestršnim podplatom, trdno pokrivalo glave in zaščita za sluh, zmanjšate možnost telesnih poškodb.
- **Preprečite neželen zagon. Pred priključitvijo napajanja in/ali baterijskega sklopa, pred dvigovanjem ali nošenjem orodja se prepričajte, da je stikalo v položaju za izklop.** Prenaslanje električnih orodij, tako da prst držite na stikalu, ali dovajanje napajanja električnim orodjem, pri katerih je stikalo v položaju »on (vklop)« poveča tveganje nesreč.
- **Pred vklopom električnega orodja odstranite morebitne prilagojevalne ključe ali izvijače.** Izvijač ali ključ, ki je pritrjen na vrtljivi del električnega orodja, lahko povzroči telesne poškodbe.
- **Ne segajte preko dosega. Pazite, da stojite stabilno in da imate ravnotežje.** To omogoča boljši nadzor nad električnim orodjem v nepričakovanih situacijah.
- **Bodite primerno obleženi. Ne nosite ohlapnih oblačil ali nakita. Pazite, da lasje, oblačila in rokavice ne pridejo v bližino gibljivih delov.** Ohlapna oblačila, nakit ali dolgi lasje se lahko zapletejo v gibljive dele.
- **Če imate na voljo naprave za sesanje in zbiranje prahu, preverite, ali so priključene in ali se ustrezno uporabljajo.** Uporaba naprav za odstranjevanje prahu lahko zmanjša nevarnosti, povezane s prahom.

SL

- Tudi če orodja pogosto uporabljate in jih dobro poznate, ne postanite brezbržni in ne prezrite varnostnih načel orodja. Nepazljivo dejanje lahko povzroči hude telesne poškodbe v delcu sekunde.

UPORABA IN NEGA ELEKTRIČNEGA ORODJA

- Električnega orodja ne preobremenjujte. Uporabite električno orodje, ki ustreza vašemu delu. Ustrezno električno orodje bo nalogo opravilo bolje in varneje pri zmogljivosti, za katero je bilo zasnovano.
- Ne uporabljajte električnega orodja, če ga stikalo ne vklopi ali izklopi, kot bi bilo treba. Kakršno koli električno orodje, ki ga ni mogoče nadzirati s stikalom, je nevarno in ga je potrebno popraviti.
- Odklopite vtič z vira napajanja in/ali baterije, preden opravljate kakršne koli prilagoditve, menjate dodatke ali shranjujete električno orodje. Tovrstni preventivni varnostni ukrepi zmanjšujejo tveganje nehotnega zagona električnega orodja.
- Električna orodja, ki niso v uporabi, shranjujte izven doseg a otrok in ne dovolite, da bi električno orodje uporabljale osebe, ki niso seznanjene z električnim orodjem ali s temi navodili. Električna orodja so v rokah neusposobljenih uporabnikov nevarna.
- Električna orodja redno vzdržujte. Preverite, ali so gibljivi deli morda napačno pritrjeni ali poškodovani, oz. ali obstaja kakršno koli drugo stanje, ki bi lahko vplivalo na delovanje električnega orodja. Če je električno orodje poškodovano, ga pred ponovno uporabo dajte v popravilo. Mnogo nesreč se pripeti zaradi slabo vzdrževanih električnih orodij.
- Rezalna orodja naj bodo vedno nabrušena in čista. Pravilno vzdrževana rezalna orodja z ostrimi rezili se težje zaskočijo in jih je lažje nadzirati.
- Električno orodje, dodatke in dele orodja itd. uporabljajte v skladu s temi navodili, pri tem pa upoštevajte delovne pogoje in delo, ki ga boste opravljali. Če boste električno orodje uporabljali za neustrezne namene, lahko pride do nevarnih situacij.
- Ročaji in prijemalne površine naj bodo suhe, čiste in brez madežev olja ali masti. Spolzki ročaji in prijemalne površine ne omogočajo varnega ravnanja in nadzora na orodjem v nepričakovanih situacijah.

UPORABA IN VZDRŽEVANJE BATERIJSKEGA ORODJA

- Baterijo polnite le s polnilnikom, ki ga določa proizvajalec. Polnilnik, ki ustreza eni vrsti baterij, morda lahko povzroči požar, če z njim polnite drugo vrsto baterij.

- Baterijska orodja uporabljajte samo s predpisano vrsto baterij. Uporaba katerih koli drugih baterij ustvari tveganje poškodb in požara.
- Ko baterijski sklop ni v uporabi, ga hranite ločeno od kovinskih predmetov, kot so sponke za papir, kovanci, ključi, žebli, vijaki ali drugi majhni kovinski predmeti, ki lahko povzročijo stik med eno in drugo sponko. Kratek stik zaradi povezanih terminalov baterije lahko povzroči opekline ali požar.
- Ob zlorabi baterije lahko iz nje steče tekočina. Če se po nesreči dotaknete tekočine, mesto dotika sperite z vodo. Če pride tekočina v stik z očmi, poiščite zdravstveno pomoč. Tekočina, ki izteče iz baterije, lahko povzroči vnetje ali opekline.
- Akumulatorske baterije ali orodja, ki je poškodovano ali spremenjeno, ne uporabljajte. Poškodovane ali spremenjene baterije lahko nepredvidljivo delujejo, zaradi česar lahko pride do požara, eksplozije ali telesnih poškodb.
- Akumulatorske baterije ali orodja ne izpostavljajte ognju ali previsokim temperaturam. Izpostavljanje ognju ali temperaturam nad 130 °C lahko povzroči eksplozijo.
- Upoštevajte vsa navodila za polnjenje in akumulatorske baterije oziroma orodja ne polnite izven temperaturnega območja, navedenega v navodilih. Zaradi nepravilnega polnjenja ali temperature zunaj navedenega območja lahko pride do poškodb baterije in povečanega tveganja za požar.

SERVIS

- Električno orodje naj servisira usposobljeno servisno osebje, ki uporablja le enake nadomestne dele. To bo zagotovilo ohranjanje varnosti električnega orodja.
- Nikoli ne popravljajte poškodovanih akumulatorskih baterij. Akumulatorske baterije lahko popravi le proizvajalec ali pooblaščen izvajalec storitev.

PRED UPORABO TEGA IZDELKA PREBERITE VSA NAVODILA!

USPOSABLJANJE

- Naprave naj nikoli ne upravljajo otroci, osebe z zmanjšanimi fizičnimi, senzornimi ali mentalnimi sposobnostmi ali osebe s premalo izkušnjami in znanja oziroma osebe, ki niso seznanjene s temi navodili.
- Upravljavec oziroma uporabnik je odgovoren za nesreče in tveganja za druge ljudi in lastnino.

PRIPRAVA

- Električno orodje lahko uporabljate v dežju ali mokrih razmerah. Po končanem delu električno orodje osušite.
- Pred uporabo preverite morebitne poškodbe baterij oz. akumulatorskih baterij. Če so baterije ali akumulatorske baterije poškodovane, orodja ne uporabljajte.

UPRAVLJANJE

- Električno orodje lahko uporabljate v dežju ali mokrih razmerah. Po končanem delu električno orodje osušite.
- Odklopite baterije ali akumulatorske baterije:
 1. vsakič ko orodje odložite;
 2. pred odpravljanjem blokade;
 3. pred pregledovanjem ali čiščenjem orodja ali pred delom na orodju;
 4. če začne orodje nenormalno vibrirati.
- Pri uporabi na pobočjih vedno pazite na ravnotežje.
- Hodite, nikoli ne tecite.
- Poskrbite, da bodo odprtine za zračenje čiste.
- Priporočamo, da orodje uporabljate le v razumnih urah dneva: ne zgodaj zjutraj ali pozno ponoči, ko lahko motite ljudi.
- Priporočamo, da v sušnih razmerah površine nekoliko navlažite ali uporabite nastavek.

⚠ OPOZORILO: Nevarnost vrtečih se delov.

- Uporabite podaljšek šobe puhalnika, tako da lahko zračni curek deluje zelo blizu tlom.
- Orodja ne uporabljajte v bližini odprtih oken itd.

VZDRŽEVANJE IN SHRANJEVANJE

- Vse matice in vijaki naj bodo trdno priviti, da boste zagotovili varno delovno stanje orodja.
- Izrabljene ali poškodovane dele zamenjajte.
- Uporabljajte samo originalne dele in dodatke.
- Napravo vedno shranjujte na suhem mestu.

⚠ OPOZORILO: Za zmanjšanje tveganja požara, električnega udara ali poškodb:

POMEMBNO

PRED UPORABO NATANČNO PREBERITE.

SHRANITE ZA PRIHODNJO UPORABO.

- Puhalnika ni dovoljeno uporabljati kot igračo. Kadar ga uporabljajo otroci, jih je treba pozorno spremljati.
- Če puhalnik ne deluje, kot bi moral, če je padel, je poškodovan ali je padel v vodo, ga vrnite v servisni center.
- V odprtine ne dajajte nobenih predmetov. Ne uporabljajte z zamašenimi odprtinami. V odprtinah naj ne bo prahu, kosmov, las in česar koli, kar lahko zmanjša pretok zraka.
- Pri čiščenju na stopnicah bodite posebej previdni.
- Ko je vtič baterije vstavljen, puhalnika ne puščajte brez nadzora. Kadar puhalnik ni v uporabi in pred servisiranjem odstranite baterijo.
- Z mokrimi rokami ne rokujte s polnilnikom, vključno z vtičem polnilnika ali sponkami polnilnika.
- Akumulatorske baterije ne polnite zunaj.

⚠ OPOZORILO:


- Preden napravo zavržete, morate iz nje odstraniti akumulatorsko baterijo.
- Baterijo morate varno zavreči.
- Ovir **NE** poskušajte odstraniti iz enote, dokler najprej ne odstranite baterije.
- Puhalnik in njegov ročaj naj bosta suha, čista in brez madežev olja ali masti. Za čiščenje vedno uporabite čisto krpo. Za čiščenje puhalnika nikoli ne uporabljajte zavorne tekočine, bencina, izdelkov na osnovi naftnih derivatov ali drugih močnejših topil. Če boste sledili temu pravilu, boste zmanjšali tveganje za izgubo nadzora in razpad plastičnega ohišja.
- Blizu vira vžiga, kot je močan reflektor, lahko baterije eksplodirajo. Za zmanjšanje nevarnosti resnih telesnih poškodb brezžičnih izdelkov nikoli ne uporabljajte blizu odprtega ognja. Če baterija eksplodira, lahko od nje odletijo delci in kemikalije. Če pridete v stik z njimi, takoj izperite z vodo.
- Naprave nikoli ne vklopite brez nameščene ustrezne opreme. Vedno se prepričajte, da je cev puhalnika nameščena.
- Puhalnika nikoli ne uporabljajte v bližini ognja ali vročega pepela. Uporaba v bližini ognja ali pepela lahko razširi požar, kar lahko vodi v resno poškodbo in/ali poškodbe lastnine.

SL

- Puhalnika nikoli ne uporabljajte za razprševanje kemikalij, gnojil ali drugih strupenih snovi. Razprševanje teh snovi lahko povzroči resne telesne poškodbe upravljavca ali opazovalcev.
- Shranite ta navodila. Pogosto jih preberite in jih uporabite za poučevanje drugih, ki uporabljajo to orodje. Če to orodje komu posodite, mu posodite tudi ta navodila, da preprečite nepravilno uporabo izdelka in morebitne poškodbe.

SHRANITE TA NAVODILA.

TEHNIČNI PODATKI

Napetost	56V 
Največja količina pretoka zraka skozi šobo	986 m ³ /h
Priporočena delovna temperatura	-15 °C–40 °C
Priporočena temperatura za shranjevanje	-20 °C–70 °C
Največja hitrost zraka	65m/s (brez okrogle šobe)
	75m/s (Z okroglo šobo)
Približen čas delovanja (z baterijo EGO 5,0 Ah)	18 min (povečana hitrost)
	30 min (visoka hitrost)
	200 min (nizka hitrost)
Največja zmogljivost pihanja	18N
Teža puhalnika (brez baterijskega sklopa)	2,18 kg
Izmerjena raven zvočnega tlaka L _{WA}	94,73 dB(A) K=2,83 dB(A)
Raven zvočnega tlaka v ušesu upravljavca L _{PA}	78,4 dB(A) K=2,5 dB(A)
Zajamčena raven zvočnega tlaka L _{WA} (glede na 2000/14/EC)	98 dB(A)
Vibracije a _h	0,505 m/s ² K=1,5 m/s ²

- Deklarirana skupna vrednost vibracij je bila izmerjena v skladu s standardno preskusno metodo in se lahko uporabi za medsebojno primerjavo različnih orodij;
- Navedena skupna vrednost vibracij se lahko uporabi za predhodne ocene izpostavljenosti.

OPOMBA: Emisije vibracij se lahko med dejansko uporabo električnega orodja razlikujejo od deklarirane vrednosti, pri kateri se orodje uporablja. Z namenom zaščite upravljavca mora uporabnik v dejanskih pogojih uporabe nositi rokavice in zaščito za ušesa.

SEZNAM PAKIRANJA

IME DELA	KOLIČINA
Puhalnik	1
Cev puhalnika	1
Nastavek za šobo	2
Priročnik z navodili za uporabo	1

OPIS

SPOZNAJTE SVOJ PUHALNIK (slika A)

1. Ploska šoba
2. Okrogla šoba
3. Cev puhalnika
4. Gumb za sprostitvev cevi
5. Podstavek
6. Dovod zraka
7. Izmet baterije
8. Električni kontakti
9. Zapah
10. Gumb za sprostitvev baterije
11. Sprožilec hitrosti zraka
12. Gumb za povečanje hitrosti
13. Gumb s številčnico za hitrost/zaklep

⚠ OPOZORILO: Varna uporaba tega izdelka zahteva razumevanje informacij na orodju in v teh navodilih za uporabo, prav tako tudi znanje o projektu, ki ga boste izvedli. Pred uporabo tega izdelka se seznanite z vsemi funkcijami delovanja in varnostnimi pravili.

SESTAVLJANJE

⚠ OPOZORILO: Če so deli poškodovani ali manjkajo, izdelka ne uporabljajte, dokler deli niso zamenjani. Če ta izdelek uporabljate s poškodovanimi ali manjkajočimi deli, se lahko resno poškodujete.

⚠ OPOZORILO: Tega izdelka ne poskušajte spreminjati in ne poskušajte izdelovati dodatkov, ki niso primerni za uporabo s tem puhalnikom. Vsako tako spreminjanje je zloraba in lahko privede do tveganj, ta pa do hudih poškodb oseb.

⚠ OPOZORILO: Zaradi preprečitve nenamernega zagona naprave, ki lahko povzroči telesne poškodbe, vedno odstranite baterijo, preden začnete sestavljati napravo.

UPORABA

Ta izdelek lahko uporabljate za:

- Čiščenje trdnih površin, kot so dovozi in sprehajalne poti.
- Ohranjanje sprehajališč in poti brez listja in iglic.

OPOMBA: Izdelek se lahko uporablja samo za predpisan namen. Kakršna koli druga uporaba se smatra za nepravilno uporabo.

SESTAVLJANJE/ODSTRANJEVANJE PLOSKE/OKROGLE ŠOBE PUHALNIKA

■ Za namestitvev (slika B & C)

Poravnajte zarezo in cev potisnite na ohišje puhalnika tako, da zaslišite klik.

■ Za odstranjevanje (slika D)

Pritisnite gumb za sprostitev cevi in cev izvlecite.

SESTAVLJANJE/ODSTRANJEVANJE PLOSKE/OKROGLE ŠOBE PUHALNIKA

■ Za namestitvev (slika E & F)

Zarezo v razširitveni šobi poravnajte z gumbom cevi in šobo potisnite na cev, da se zaskoči na mesto.

■ Za odstranjevanje (slika G)

Pritisnite in držite gumb za sprostitev šobe za sprostitev zaklepa, nato šobo povlecite naravnost s puhalnika.

OPOMBA: Pri sestavljanju ali odstranjevanju upoštevajte enako zaporedje postopka.

PRIKLJUČITEV/ODKLAPLANJE BATERIJSKEGA SKLOPA

OPOMBA: Za boljše rezultate priporočamo uporabo 56-voltno EGO baterije BA2240E (4,0 Ah) ali katere koli druge 56-voltno EGO baterije z višjo zmogljivostjo.

Pred prvo uporabo ga popolnoma napolnite.

Napravo uporabljajte le z akumulatorskimi baterijami in polnilniki, navedenimi v sliki A.

■ Za priključitev (Fig. H)

Rebra baterije poravnajte z režami za namestitvev in baterijski sklop potisnite navzdol, da zaslišite klik.

■ Za odklapanje (Fig. I)

Pritisnite gumb za sprostitev baterije in baterijski sklop potegnite ven.

⚠ OPOZORILO: Ko pritisnete gumb za sprostitev baterije, vedno pazite na to, kje so vaše noge, otroci ali hišni ljubljenci. Če vam baterija pade na tla, lahko pride do hudih telesnih poškodb. Baterije NIKOLI ne odstranjujte na visokem mestu.

Opis delov na sliki H si oglejte tukaj:

H-1	Gumb za sprostitev baterije	H-3	Reža za namestitvev
H-2	Rebro baterije		

VKLOP/IZKLOP PUHALNIKA (slika J)

■ Samo sprožilec hitrosti zraka

1. Pritisnite sprožilec hitrosti zraka, da vklopite puhalnik.
2. Hitrost zraka puhalnika uravnate s sprožilcem za spreminjanje hitrosti. Če močno pritisnete sprožilec, je hitrost večja; če rahlo pritisnete sprožilec, je hitrost manjša. Hitrost prilagodite trenutnemu opravilu.
3. Spustite sprožilec hitrosti zraka, da izklopite puhalnik.

■ Samo gumb s številčnico za hitrost/zaklep

Puhalnik lahko vklopite in zaklenete na katerikoli hitrosti, tako da zavrtite gumb s številčnico za hitrost/zaklep.

1. Zavrtite gumb s številčnico za hitrost/zaklep v desno, da zaženete puhalnik. Ko zavrtite gumb v desno, se hitrost zraka poveča.
2. Če želite zmanjšati hitrost zraka, zavrtite gumb s številčnico za hitrost/zaklep v levo.
3. Če želite zaustaviti puhalnik, zavrtite gumb s številčnico za hitrost/zaklep do konca v levo.

OPOMBA: Če gumba s številčnico za hitrost/zaklep ne zavrtite do položaja za izklop, preden vklopite puhalnik, se puhalnik ne bo zagnal prek gumba s številčnico za hitrost/zaklep, ko boste vstavili napolnjeno baterijo. Naprava ima vgrajeno zaščitno funkcijo, ki preprečuje nenamerne zagone. Zaščitno lahko izklopite tako, da pritisnete sprožilec hitrosti zraka.

SL

Med uporabo pritisnite gumb za povečanje hitrosti, da začasno povečate hitrost zraka na najvišjo raven. Ko spustite gumb za povečanje hitrosti, bo puhalnik deloval s prejšnjo hitrostjo.

Opis delov na sliki J si oglejte tukaj:

J-1	Gumb s številčnico za hitrost/zaklep	J-3	Sprožilec hitrosti zraka
J-2	Gumb za povečanje hitrosti		

Nasveti za uporabo puhalnika

- Da delci ne bi leteli naokrog, puhalnik uporabite tako, da pihate ob zunanjem robu kopicе. Nikoli ne pihajte neposredno v osrednji del kopicе.
- Za nižjo raven zvočnega hrupa napravo uporabljajte manj pogosto.
- Pred uporabo puhalnika z grabljami zrahljajte sprijeti material. V prašnih pogojih material rahlo navlažite, če je voda na voljo.
- Pazite na otroke, domače živali, odprta okna ali sveže oprana vozila in odpadke varno odpihujte stran.
- Po uporabi puhalnikov ali druge opreme počistite. Odpadke odstranjujte na ustrezen način.
- Puhalnika ni priporočljivo dalj časa uporabljati z visoko hitrostjo, saj lahko močne vibracije in hrup škodujejo vašemu zdravju.

SL

VZDRŽEVANJE

⚠ OPOZORILO: Pri servisiranju uporabljajte le identične nadomestne dele. Uporaba drugih delov je tvegana in lahko povzroči škodo na izdelku. Za zagotovitev varnosti in zanesljivosti mora vsa popravila izvesti usposobljen serviser.

⚠ OPOZORILO: Da se izognete resnim telesnim poškodbam, med čiščenjem ali vzdrževanjem vedno odstranite baterijski sklop.

SPLOŠNO VZDRŽEVANJE

Pri čiščenju plastičnih delov se izogibajte uporabi topli. Večina vrst plastik se lahko pri uporabi različnih komercialnih topli poškoduje. Za odstranjevanje prahu, umazanije, olja, masti itd. uporabite čiste krpe.

⚠ OPOZORILO: Nikoli naj zavorna tekočina, gorivo, izdelki na bazi petroleja, prodirajoče olje ipd. ne pridejo v stik s plastičnimi deli. Kemikalije lahko plastiko poškodujejo, oslabijo ali uničijo, kar lahko povzroči hude telesne poškodbe.

SHRANJEVANJE

- Odstranite baterijo iz puhalnika.
- Iz vseh dovodov zraka puhalnika očistite vse tujke.
- Napravo skladiščite v notranjem suhem prostoru, ki je nedostopen otrokom. Ne shranjujte ga v bližini korozivnih sredstev, kot so vrtnе kemikalije in soli za topljenje ledu.

Varovanje okolja



Električne opreme, polnilnika baterij in baterij/baterij, ki jih je mogoče polniti, ne odvrzite med gospodinjske odpadke!

V skladu z evropskim zakonom 2012/19/EU glede električne in elektronske opreme, ki ni več uporabna, in v skladu z evropskim zakonom 2006/66/EC glede pokvarjenih ali izrabljenih baterijskih sklopov/baterij, je treba baterije zbrati ločeno in odvreči na okoljsko sprejemljiv način.

Če električne naprave odvržete na smetišča, lahko nevarne snovi pronicajo v podtalnico in tako pridejo v prehranjevalno verigo, s čimer ogrozijo vaše zdravje in dobro počutje.

ODPRAVLJANJE TEŽAV

TEŽAVA	VZROK	REŠITEV
Puhalnik ne deluje.	<ul style="list-style-type: none"> ■ Baterijski sklop ni pritrjen na puhalnik. ■ Med puhalnikom in baterijo ni električnega stika. ■ Baterijski sklop je izpraznjen. ■ Baterijski sklop ali puhalnik je prevroč. ■ Gumba s številčnico za hitrost/zaklep niste zavrteli do položaja za izklop, preden ste vklopili puhalnik. 	<ul style="list-style-type: none"> ■ Baterijski sklop pritrdite na puhalnik. ■ Odstranite baterijo, preverite kontakte in ponovno namestite baterijski sklop. ■ Napolnite baterijski sklop. ■ Ohladite baterijski sklop in puhalnik, da temperatura pade pod 67 °C. Pritisnite sprožilec hitrosti zraka, da deaktivirate zaščito in zaženete puhalnik, ali pa najprej zavrtite gumb s številčnico za hitrost/zaklep do položaja za izklop.
Hitrost zraka se znatno zmanjša.	<ul style="list-style-type: none"> ■ Prevelika obraba ventilatorja motorja. ■ Dovod zraka je zamašen z delci. 	<ul style="list-style-type: none"> ■ Za popravilo stopite v stik servisnim centrom EGO. ■ Odstranite baterijski sklop, očistite delce.

GARANCIJA

GARANCIJSKA POLITIKA DRUŽBE EGO

Za popolne pogoje garancijske politike družbe EGO obiščite spletno stran egopowerplus.com.

SL

PERSKAITYKITE VISĄ INSTRUKCIJĄ!



PERSKAITYKITE NAUDOJIMO INSTRUKCIJĄ

PASTABA. Ši instrukcija taip pat pasiekama kitu formatu, pvz., interneto svetainėje.

⚠ Liekamoji rizika! Žmonėms, kuriems implantuoti elektroniniai prietaisai, pvz., širdies stimulatoriai, prieš pradėdami naudoti šį gaminį, reikia pasitarti su savo gydytoju (-ais). Arti širdies stimulatoriaus veikianti elektros įranga gali trikdyti širdies stimulatoriaus veikimą arba jį sugadinti.

⚠ ĮSPĖJIMAS. Norint užtikrinti saugų ir patikimą gaminio naudojimą, visus remonto ir keitimo darbus turi atlikti kvalifikuotas techninės priežiūros specialistas.

SAUGOS SIMBOLIAI

Šių simbolių paskirtis – atkreipti dėmesį į galimus pavojus. Gerai susipažinkite su saugos simboliais bei jų paaiškinimais ir juos įsidėmėkite. Simbolių įspėjimai patys savaime negali apsaugoti nuo pavojų. Jais žymimi nurodymai ir įspėjimai neatstoja tinkamų nelaimingų atsitikimų prevencijos priemonių.

⚠ ĮSPĖJIMAS. Prieš pradėdami naudoti šį gaminį, perskaitykite visus šioje naudojimo instrukcijoje pateiktus saugos nurodymus, taip pat susipažinkite su visais saugos įspėjamaisiais simboliais, tokiais kaip **PAVOJUS**, **ĮSPĖJIMAS** ir **PERSPĖJIMAS**, ir įsitikinkite, ar juos supratote. Nesilaikant visų toliau išdėstytų nurodymų, galima patirti elektros smūgi, sukelti gaisrą ir (arba) sunkiai susižaloti.

APSAUGOS NUO PAŽEIDIMŲ IR INFORMACINIAI PRANEŠIMAI

Jais naudotojui pateikiama svarbi informacija ir (arba) nurodymai, kurių nesilaikant gali būti padaryta žala įrangai arba kitai nuosavybei. Kiekvieno pranešimo pradžioje yra žodis PASTABA, kaip toliau pateiktame pavyzdyje.

PASTABA. Nesilaikant šių nurodymų, gali būti padaryta žala įrangai ir (arba) nuosavybei.



⚠ ĮSPĖJIMAS. Naudojant bet kokius elektrinius įrankius, į akis gali būti išsviesta svetimkūnių, kurie jas gali sunkiai sužaloti. Prieš pradėdami naudoti elektrinį įrankį, visada užsidėkite apsauginius akinius arba apsauginius akinius su šonine apsauga ir, jei reikia, visą veidą dengiantį skydelį. Rekomenduojame naudoti platų matymo lauką užtikrinančią apsauginę kaukę ant akinių arba standartinius apsauginius akinius su šonine apsauga.

SAUGOS NURODYMAI

Šiame puslapyje pavaizduoti ir aprašyti saugos simboliai, kurių gali būti ant šio gaminio. Prieš bandydami surinkti ir naudoti įrenginį, perskaitykite visus ant jo pateiktus nurodymus, įsitikinkite, ar juos supratote, ir jais vadovaukitės.

	Saugos įspėjimas	Atsargumo priemonės, skirtos užtikrinti jūsų saugumą.
	Užsidėkite apsauginius akinius	Naudodami šį gaminį, visada užsidėkite apsauginius akinius arba apsauginius akinius su šonine apsauga ir visą veidą dengiantį skydelį.
	Užsidėkite apsaugines ausines	Visada užsidėkite apsaugines ausines, kai dirbate su šiuo gaminiu.
	Perskaitykite naudojimo instrukciją	Prieš pradėdamas naudotis gaminiu operatorius privalo perskaityti naudotojo vadovą, kad sumažintų sužalojimo pavojų.
	Neleiskite artintis pašaliniais asmenims	Užtikrinkite, kad pašaliniai asmenys būtų bent 15m atstumu.
V	Voltas	Įtampa
A	Amperas	Srovė
Hz	Hercas	Dažnis (ciklai per sekundę)
W	Vatas	Galia
min	Minutės	Laikas
m³/h	Kubiniai metrai per valandą	Oro debitas

LT

km/h	Kilometrai per valandą	Oro srauto greitis
	Kintamoji elektros srovė	Srovės tipas
	Nuolatinė elektros srovė	Srovės tipas arba charakteristika
n_0	Sūčiai be apkrovos	Sukimosi greitis, kai nėra apkrovos
... /min	Per minutę	Apsisukimai per minutę

Naudojant elektrinį įrankį, visada reikia imtis svarbiausių atsargumo priemonių, įskaitant nurodytas toliau.

BENDRIEJI SAUGOS NURODYMAI DĖL ELEKTRINIO ĮRANKIO

⚠ ĮSPĖJIMAS. PERSKAITYKITE VISUS ŠIUO ELEKTRINIŲ ĮRANKIŲ PATEIKTUS ĮSPĖJIMUS DĖL SAUGOS IR INSTRUKCIJAS, PERŽIŪRĖKITE VISUS PAVEIKSLUS IR SPECIFIKACIJAS. Nesilaikant visų toliau išdėstytų nurodymų galima patirti elektros smūgį, sukelti gaisrą ir (ar) sunkiai susižaloti.

ĮSAUGOKITE VISUS ĮSPĖJIMUS IR NURODYMUS, KAD PRIREIKUS GALĖTUMĖTE PASIŽIŪRĖTI.

Įspėjimuose vartojamu terminu „elektrinis įrankis“ nurodomas iš elektros lizdo maitinamas (laidinis) arba akumuliatoriumi maitinamas (akumuliatorinis) elektrinis įrankis.

DARBO VIETOS SAUGA

- Darbo vieta turi būti švari ir gerai apšviesta. Netvarkingos ir tamsios vietos dažnai tampa nelaimingų atsitikimų priežastimi.
- Nedirbkite su elektriniais įrankiais sprogoje aplinkoje, pvz., ten, kur yra degiųjų skysčių, benzino arba dulkių. Elektriniai įrankiai kibirkščiuoja, o kibirkštys gali uždegti dulkes arba garus.
- Dirbdami su elektriniu įrankiu, liepkite vaikams ir pašaliniam asmeniui būti atokiau. Dėl dėmesį blaškančių asmenų galite nesuvaldyti įrankio.

APSAUGA NUO ELEKTROS

- Elektrinio įrankio kištukas turi tiktai elektros lizdui. Niekada jokiū būdu nemodifikuokite kištuko. Įžemintiems elektriniams įrankiams nenaudokite jokių kištukų adapterių. Nemodifikuoti kištukai ir tinkami elektros lizdai sumažina pavojų patirti elektros smūgį.
- Stenkitės nepriesti žemintų paviršių, pvz., vamzdžių, radiatorių, viryklių ir šaldytuvų. Jei jūsų kūnas įžemintas, kyla didesnis pavojus patirti elektros smūgį.

- Saugokite elektrinius įrankius nuo lietaus ir drėgmės. Vandeniui patekus į elektrinį įrankį, padidėja pavojus patirti elektros smūgį.
- Tinkamai elkitės su maitinimo laidu. Niekada neneškite ir netempkite elektrinio įrankio, laikydami už maitinimo laido. Netraukite maitinimo laido, norėdami ištraukti kištuką iš elektros lizdo. Maitinimo laidą laikykite atokiau nuo karščio šaltinio, tepalų, aštrių briaunų ir judančių dalių. Pažeidus arba sunarpliojus laidus, kyla didesnis pavojus patirti elektros smūgį.
- Dirbdami su elektriniu įrankiu lauke, naudokite laukui skirtą ilgintuvą. Naudojant laukui skirtą maitinimo laidą, sumažėja pavojus patirti elektros smūgį.
- Jei nėra galimybės išvengti elektrinio įrankio naudojimo drėgnoje vietoje, naudokite maitinimą, apsaugotą su nuotėkio rėle. Nuotėkio rėlė sumažina pavojų patirti elektros smūgį.

ASMENINĖ SAUGA

- Dirbdami su elektriniu įrankiu, būkite budrūs, stebėkite ką darote ir vadovaukitės sveika nuovoka. Nedirbkite su elektriniu įrankiu, jei esate pavargę, apsvaigę nuo narkotinių medžiagų, alkoholio arba vaistų. Neatidumo akimirka dirbant su elektriniu įrankiu gali lemti sunkią traumą.
- Naudokite asmenines apsaugos priemones. Visada užsidėkite apsauginius akinius. Tinkamomis sąlygomis naudojamos apsaugos priemonės, pvz., respiratorius, neslidūs apsauginiai batai, šalmas arba ausinės, sumažina pavojų susižaloti.
- Saugokitės atsitiktinio paleidimo. Prieš prijungdami prie maitinimo šaltinio ir (arba) akumuliatoriaus, prieš pakeldami arba nešdami įrankį, išitinkinkite, ar jungiklis yra išjungimo padėtyje. Nešant elektrinius įrankius uždėjus pirštą ant jungiklio arba prijungiant elektrinių įrankių maitinimą, kai jungiklis įjungtas, gali įvykti nelaimingas atsitikimas.
- Prieš įjungdami elektrinį įrankį, patraukite visus reguliavimo raktus ir veržliarakčius. Palikus veržliaraktį arba raktą uždėtą ant sukamosios elektrinio įrankio dalies, galima susižaloti.
- Nepraraskite pusiausvyros. Visada tvirtai stovėkite ir išlaikykite pusiausvyrą. Taip geriau suvaldysite elektrinį įrankį netikėtose situacijose.
- Tinkamai apsirenkite. Nedėvėkite laisvų drabužių ir nenešiotkite laisvai kabančių papuošalų. Plaukus, drabužius ir pirštines laikykite toliau nuo judančių dalių. Judamosios dalys gali įtraukti laisvus drabužius, papuošalus arba ilgus plaukus.

LT

- Jei yra įtaisai, skirti dulkių nusiurbimo ir surinkimo įrenginiams prijungti, tinkamai prijunkite ir naudokite tuos įrenginius. Naudojant dulkių surinkimo įrenginius, gali sumažėti su dulkelėmis susijusių pavojų.
- Dažnai naudodami įrankius pernelyg savimi nepasitikėkite ir neprarasite budrumo, kad paisytumėte saugaus įrankio naudojimo taisyklių. Užtenka akimirkos, kad dėl neatsargaus veiksmo sunkiai susižalotumėte.

ELEKTRINIO ĮRANKIO NAUDOJIMAS IR PRIEŽIŪRA

- Nesudarykite per didelės apkrovos elektriniam įrankiui. Naudokite atliekamam darbui tinkamą elektrinį įrankį. Veikdamas numatytoju greičiu, tinkamas elektrinis įrankis darba atlieka veiksmingiau ir saugiau.
- Nenaudokite elektrinio įrankio, jei jungiklis jo neįjungia arba neišjungia. Bet koks elektrinis įrankis, kurio jungiklis neveikia, yra pavojingas ir jį būtina sutaisyti.
- Prieš reguliuodami elektrinį įrankį, keisdami jo priedus arba padėdami jį į laikymo vietą, atjunkite kištuką nuo maitinimo šaltinio ir (arba) akumuliatorių nuo įrankio. Tokios prevencinės saugos priemonės sumažina pavojų atsitiktinai įjungti elektrinį įrankį.
- Nenaudojamus elektrinius įrankius laikykite vaikams nepasiekiamoje vietoje. Su elektriniu įrankiu neleiskite dirbti asmenims, nesusipažinusiems su įrankiu arba šia instrukcija. Neapmokytų naudotojų naudojami elektriniai įrankiai kelia pavojų.
- Prižiūrėkite elektrinius įrankius. Patikrinkite, ar judamosios dalys sulygiuotos ir nestringa, ar nėra lūžusių dalių, ar nėra kitų sąlygų, galinčių turėti įtakos elektrinio įrankio veikimui. Jei elektrinis įrankis sugadintas, prieš naudodami, jį sutaisykite. Dauguma nelaimingų atsitikimų įvyksta dėl prastai prižiūrimų elektrinių įrankių.
- Prižiūrėkite, kad pjovimo įrankiai būtų aštrūs ir švarūs. Tinkamai prižiūrimi pjovimo įrankiai su aštriais ašmenimis rečiau stringa ir lengviau valdomi.
- Elektrinį įrankį, priedus, antgalius ir kitas dalis naudokite pagal šią instrukciją, atsizvelgdami į darbo sąlygas ir atliktiną darbą. Naudojant elektrinį įrankį ne pagal numatytąją paskirtį, gali susidaryti pavojinga situacija.
- Įrankių rankenos ir sugriebimo paviršiai turi būti sausi, švarūs ir neištepti alyva ar tepalu. Dėl slidžių rankenų ir sugriebimo paviršių įrankį sunku saugiai valdyti ir jis gali išsprūsti netikėtomis aplinkybėmis.

AKUMULIATORINIO ĮRANKIO NAUDOJIMAS IR PRIEŽIŪRA

- Akumuliatorių įkraukite naudodami tik gamintojo nurodytą įkroviklį. Naudojant įkroviklį, skirtą kitam akumuliatorių tipui, gali kilti pavojus sukelti gaisrą.
- Elektrinius įrankius naudokite tik su jiems skirtais akumulatoriais. Naudojant kitokius akumulatorius, gali kilti pavojus susižaloti ir sukelti gaisrą.
- Nenaudojamą akumuliatorių reikia laikyti toliau nuo metalinių daiktų, pvz., sąvaržėlių, monetų, raktų, vinių, varžtų ir kitų smulkių metalinių daiktų, galinčių sujungti akumulatoriaus gnybtus. Įvykus trumpajam jungimui tarp akumulatoriaus gnybtų, galima nudegti ir gali kilti gaisras.
- Dėl netinkamų sąlygų iš akumulatoriaus gali ištekėti skystis – nelieskite jo. Jei netyčia palietėte, nuplaukite vandeniu. Jei skystis pateko į akis, nuplaukite ir kreipkitės medicininės pagalbos. Iš akumulatoriaus ištekėjęs skystis gali dirginti arba nudeginti.
- Nenaudokite pažeistos ar modifikuotos sudėtinės baterijos ar įrankio. Tokios netinkamos sudėtinės baterijos gali kelti gaisro, sprogdimo ar sužalojimo pavojų.
- Sudėtinės baterijos ar įrankio negalima deginti ar kaitinti. Bateriją deginant ar įkaitinus virš 130 °C ji gali sprogti.
- Laikykitės įrankio ar sudėtinės baterijos įkrovimo instrukcijų ir įkrovimą vykdykite nurodytame temperatūrų diapazone. Priešingu atveju galite sugadinti sudėtinę bateriją ar net sukelti gaisrą.

TECHNINĖ PRIEŽIŪRA

- Jūsų elektrinio įrankio techninės priežiūros darbus gali vykdyti tik kvalifikuotas remonto meistras, naudodamas tik identiškas atsargines dalis. Tokiu būdu elektrinis įrankis išliks saugus.
- Niekada neremontuokite sugadintos sudėtinės baterijos. Tokias baterijas remontuoti gali tik gamintojas arba įgalioto techninės priežiūros centro specialistai.

PRIEŠ NAUDODAMI ŠĮ GAMINĮ, PERSKAITYKITE VISĄ INSTRUKCIJĄ!

APMOKYMAS

- Įrenginio niekada neleiskite naudoti vaikams, fizinei, jutimo ar protinei negalią turintiems arba patirties ir žinių neturintiems asmenims, taip pat žmonėms, nesusipažinusiems su šia instrukcija.

- Operatorius arba naudotojas atsako už nelaimingus atsitikimus ir pavojus, keliamus kitiems žmonėms ar jų turtui.

PASIRUOŠIMAS

- Šį elektrinį įrankį galima naudoti lyjant lietui ar drėgnomis sąlygomis. Pabaigę darbą įrankį išdžiovinkite.
- Prieš naudodami patikrinkite, ar nepažeistos baterijos ar sudėtinės baterijos. Jei baterijos ar sudėtinės baterijos pažeistos, įrankio nenaudokite.

NAUDOJIMAS

- Šį elektrinį įrankį galima naudoti lyjant lietui ar drėgnomis sąlygomis. Pabaigę darbą įrankį išdžiovinkite.
- Atjunkite baterijas ar sudėtinės baterijas:
 1. palikdami įrankį be priežiūros;
 2. prieš patraukdami klūtį;
 3. prieš tikrindami, valydami įrankį arba dirbdami prie jo;
 4. jei įrankis pradeda neįprastai vibruoti.
- Nuožulniose vietose visada atsistokite tvirtai.
- Eikite, niekada nebėkite.
- Prižiūrėkite, kad aušinimo oro angose neprisikaupytų šiukšlių.
- Su įrankiu rekomenduojama dirbti deramu laiku – ne anksti ryte ir ne vėlai vakare, kai galite trikdyti aplinkinių žmonių ramybę.
- Dulketoje aplinkoje rekomenduojama šiek tiek sudrėkinti paviršius arba naudoti dulksnos purškimo priedą.

⚠️ ĮSPĖJIMAS. Besisukančios dalys kelia pavojų!

- Pūstuvo antgalis turi būti visiškai ištrauktas, kad oro srautas būtų arti žemės.
- Nedirbkite su įrankiu arti atvirų langų ir panašių vietų.

TECHNINĖ PRIEŽIŪRA IR LAIKYMAS

- Priveržkite visas varžles, varžtus ir sraigtus, kad įrankį būtų saugu naudoti.
- Pakeiskite susidėvėjusias arba pažeistas dalis.
- Naudokite tik originalias atsargines dalis ir priedus.
- Įrankį laikykite tik sausoje vietoje.

⚠️ ĮSPĖJIMAS. Norėdami sumažinti gaisro, elektros smūgio ir susižalojimo pavojų:

SVARBU

ATIDŽIAI PERSKAITYKITE PRIEŠ NAUDODAMI.

PASILIKITE VĖLESNIAM NAUDOJIMUI.

- Neleiskite naudoti pūstuvo kaip žaislo. Kai naudoja vaikai arba kai naudojamas šalia vaikų, juos reikia atidžiai prižiūrėti.
- Jei pūstuvus neveikia, kaip turėtų veikti, buvo numestas, pažeistas arba įmestas į vandenį, pristatykite jį į techninės priežiūros centrą.
- Nekiškite jokių daiktų į jokias angas. Nenaudokite, jei kuri nors anga užsikimšusi. Saugokite, kad angų neužkimštų dulksės, pūkai, plaukai arba kiti nešvarumai, kurie apribotų oro srautą.
- Būkite itin atsargūs, kai valote stovėdami ant laiptų.
- Nepalikite pūstuvo be priežiūros su prijungtu baterijos kištuku. Išimkite bateriją iš nenaudojamo pūstuvo ir prieš atlikdami techninės priežiūros darbus.
- Neimkite įkroviklio, įskaitant įkroviklio kištuką ir gnybtus, šlapiomis rankomis.
- Nebandykite įkrauti sudėtinės baterijos lauke.


⚠️ ĮSPĖJIMAS.

- Prieš išmetant įrankį į metalo laužą, būtina išimti sudėtinę bateriją.
- Bateriją reikia saugiai uždėti.
- **NEBANDYKITE** valyti užsikimšusio įrankio prieš tai neišėmę baterijos.
- Pūstuvus ir jo rankena būtų sausi, švarūs ir neištepti alyva ar tepalu. Visada valykite švaria šluoste. Pūstuvo niekada nevalykite štabdžių skysčiu, benzinu, naftos produktais arba stipriais tirpikliais. Laikantis šios nurodymo sumažėja pavojus nesuvaldyti įrankio ir pažeisti plastikinį korpusą.
- **Baterijos gali sprogti, jei netoliese yra uždegimo šaltinis, pvz., dujų degiklis.** Kad sumažintumėte pavojų sunkiai susižaloti, niekada nenaudokite jokių belaidžių elektrinių gaminių šalia atviros liepsnos. Sprogus baterijai gali pasklisti nuolaužo ir cheminės medžiagos. Jei taip nutiktų, tas vietas nedelsdami nuplaukite vandeniu.
- **Niekada įrankio nenaudokite nepritvirtinę reikiamos įrangos.** Visada pritvirtinkite pūstuvo vamzdį.
- **Niekada nenaudokite pūstuvo arti ugnies ar įkaitusių pelenų.** Naudojant arti ugnies ar pelenų gali kilti gaisras ir galima sunkiai susižaloti ir (ar) sugadinti turtą.

- Pūstuvo niekada nenaudokite cheminiams preparatams, trąšoms arba kitokiems nuodingoms medžiagoms paskleisti. Paskleidus tokias medžiagas gali sunkiai apsinuodyti pats operatorius arba pašaliniai asmenys.
- Išsaugokite šią instrukciją. Dažnai ją paskaitykite ir panaudokite kitiems asmenims, kuriems patikėsite įrankį, apmokyti. Skolindami įrankį kitiems asmenims, paskolinkite ir šią instrukciją, kad jie tinkamai gaminį naudotų ir nesusižalotų.

IŠSAUGOKITE ŠIĄ INSTRUKCIJĄ!

SPECIFIKACIJA

Įtampa	56 V 
Oro debitas	986 m ³ /h
Rekomenduojama darbinė temperatūra	Nuo -15°C iki 40 °C
Rekomenduojama sandėliavimo temperatūra	Nuo -20 °C iki 70 °C
Didžiausias oro greitis	65m/s (be apvalios purkštuko)
	75m/s (Su apvaliu antgaliu)
Apytikslė veikimo trukmė (su EGO 5,0 Ah akumuliatoriumi)	18 min. (padidintos galios režimas)
	30 min. (didelis oro srauto greitis)
	200 min. (mažas oro srauto greitis)
Maksimali pūtimo jėga	18N
Pūstuvo svoris (be akumuliatoriaus)	2,18 kg
Išmatuotas garso galios lygis L _{WA}	94,73 dB(A) K=2,83 dB(A)
Garso slėgio lygis ties operatoriaus ausimi L _{PA}	78,4 dB(A) K=2,5 dB(A)
Garantuojamas garso galios lygis L _{WA} (išmatuotas pagal 2000/14/EB)	98 dB(A)
Vibracija a _n	0,505 m/s ² K=1,5 m/s ²

- Nurodyta bendroji vibracijos vertė išmatuota taikant standartinį bandomo metodą, todėl pagal ją galima palyginti skirtingus įrenginius.
- Nurodytą bendrąją vibracijos vertę taip pat galima naudoti pirminiam poveikio vertinimui.

PASTABA. Naudojant įrankį realiomis sąlygomis, skleidžiamos vibracijos stiprumo vertė gali skirtis nuo nurodytos. Kad apsisaugotų dirbdamas realiomis sąlygomis, naudotojas turi mūvėti pirštines ir naudoti ausų apsaugos priemones.

PAKUOTĖS TURINIO SĄRAŠAS

DALIES PAVADINIMAS	SKAIČIUS
Pūstuvas	1
Pūstuvo vamzdis	1
Antgalio priedas	2
Naudojimo instrukcija	1

APRAŠAS

PAŽINKITE PŪSTUVĄ (A pav.)

1. Plokščias antgalis
2. Apvalus antgalis
3. Pūtiklio vamzdis
4. Vamzdžio atjungimo mygtukas
5. Pagrindas
6. Oro įsiurbimo anga
7. Akumuliatoriaus atkabinimo elementas
8. Elektros jungčių kontaktai
9. Fiksatorius
10. Akumuliatoriaus atkabinimo mygtukas
11. Oro pūtimo greičio reguliavimo gaidukas
12. Padidintos galios režimo mygtukas
13. Oro pūtimo greičio reguliavimo / blokavimo ratukas

⚠️ ĮSPĖJIMAS. Norint saugiai naudoti šį gaminį, reikia suprasti informaciją apie įrankį ir šią naudojimo instrukciją, taip pat išmanyti atliekamą darbą. Prieš naudodami šį gaminį, susipažinkite su visomis naudojimo ypatybėmis ir saugos taisyklėmis.

SURINKIMAS

⚠️ ĮSPĖJIMAS. Jei kurios nors dalys pažeistos arba jų nėra, nenaudokite šio gaminio tol, kol tos dalys nebus pakeistos. Naudojant šį gaminį, kai dalys pažeistos arba jų trūksta, galima sunkiai susižaloti.

⚠️ ĮSPĖJIMAS. Nebandykite modifikuoti šio gaminio arba sukurti priedų, nerekomenduojamų naudoti su šiuo pūstuvu. Visi tokie pakeitimai ir modifikacijos laikomi netinkamu naudojimui. Jie gali lemti pavojingas aplinkybes, dėl kurių galima sunkiai susižaloti.

⚠️ ĮSPĖJIMAS. siekiant išvengti atsitiktinio paleidimo, kuris gali sukelti sunkias traumas, visada išimkite akumuliatorių iš įrankio, kai tvirtinate bet kokias dalis.

PASKIRTIS

Šį gaminį galima naudoti šiais tikslais:

- tvirtiems paviršiams, pvz., įvažiavimams ir takams, valyti;
- lapams bei pušų spygliams pašalinti nuo aikštelių ir įvažiavimų.

PASTABA. Šį įrankį reikia naudoti tik pagal nurodytą paskirtį. Naudojimas bet koku kitu tikslu laikomas netinkamu naudojimui.

PŪTIKLIO APVALAUS ARBA PLOKŠČIO ANTGALIO UŽDĖJIMAS / NUĖMIMAS

■ Uždėjimas (B & C pav.)

Sulygiuokite griovelį ir stumkite vamzdį į pūstuvo korpusą tol, kol išgirsite spragtelėjimą.

■ Nuėmimas (D pav.)

Paspauskite vamzdžio atlaisvinimo mygtuką ir ištraukite vamzdį.

PŪTIKLIO APVALAUS ARBA PLOKŠČIO ANTGALIO UŽDĖJIMAS / NUĖMIMAS

■ Uždėjimas (E & F pav.)

Paskleidimo antgalio griovelį sulyginkite su vamzdžio iškyša ir antgalį stumkite ant vamzdžio, kol užsifiksuos.

■ Nuėmimas (G pav.)

Paspauskite ir laikykite nuspaudę antgalio atleidimo mygtuką, kad fiksatorius atsikabintų, ir nutraukite antgalį nuo pūstuvo.

PASTABA: nuimdami arba uždėdami plokščią antgalį, vadovaukitės identiška montavimo arba nuėmimo seka.

AKUMULATORIAUS ĮDĖJIMAS / IŠĖMIMAS

Prieš naudodami pirmą kartą, įkraukite.

Naudokite tik su A paveiksle nurodytomis sudėtinėmis baterijomis ir įkrovikliais.

■ Įdėjimas (H pav.)

Sulygiuokite akumuliatoriaus briaunas su tvirtinimo grioveliais ir spauskite akumuliatorių žemyn tol, kol išgirsite spragtelėjimą.

■ Išėmimas (I pav.)

Paspauskite akumuliatoriaus atlaisvinimo mygtuką ir ištraukite akumuliatorių.

⚠️ ĮSPĖJIMAS. Prieš paspausdami akumuliatoriaus atlaisvinimo mygtuką, visada atkreipkite dėmesį į savo kojas, vaikų ir augintinių buvimo vietą. Krisdamas akumuliatorius gali sunkiai sužaloti. NIEKADA nebandykite išimti akumuliatoriaus, kai įrankis yra aukščiau.

H pav. nurodytų dalių aprašymas yra pateiktas toliau:

H-1	Akumuliatoriaus atkabinimo mygtukas	H-3	Montavimo griovelis
H-2	Akumuliatoriaus briauna		

PŪSTUVO PALEIDIMAS / IŠJUNGIMAS (J pav.)

■ Kai naudojamas tik oro pūtimo greičio reguliavimo gaidukas

1. Paspauskite oro pūtimo greičio reguliavimo gaiduką, kad įjungtumėte pūtiklį.
2. Pūtiklio oro srauto greitis yra valdomas oro srauto greičio reguliavimo gaiduku. Kuo daugiau yra nuspaustas gaidukas, tuo didesnis yra pūtimo greitis; kuo mažiau yra nuspaustas gaidukas – tuo yra mažesnis pūtimo greitis. Greitį rinkitės pagal atliekamą užduotį.
3. Atleiskite oro srauto greičio reguliavimo gaiduką, kad išjungtumėte pūtiklį.

Kai naudojamas tik oro pūtimo greičio reguliavimo / blokavimo ratukas

Pūtiklis gali būti įjungtas ir užfiksuotas pageidaujama greičiui naudojant oro pūtimo greičio reguliavimo / blokavimo mygtuką.

1. Norėdami įjungti pūtiklį, pasukite oro pūtimo greičio reguliavimo / blokavimo mygtuką pagal laikrodžio rodyklę. Oro greitis didės ratuką sukant pagal laikrodžio rodyklę.
2. Norėdami sumažintumėte oro srauto greitį, pasukite oro pūtimo greičio reguliavimo / blokavimo ratuką prieš laikrodžio rodyklę.
3. Ir toliau sukite oro pūtimo greičio reguliavimo / blokavimo mygtuką prieš laikrodžio rodyklę į išjungimo padėtį, kad sustabdytumėte pūtiklį.

LT

PASTABA: Jeigu oro pūtimo greičio reguliavimo / blokavimo mygtuko ratukas nėra atsukamas atgal į išjungimo padėtį prieš įjungiant pūtiklį, tai įstaciūs įkrautą akumuliatorių jis neįsijungs naudojant oro pūtimo greičio reguliavimo / blokavimo mygtuką. Tai yra apsauginė funkcija, padedanti apsaugoti nuo atsitiktinio paleidimo. Paspaudus oro srauto greičio reguliavimo gaiduką galite išjungti apsaugą.

Dirbdami paspauskite galios režimo mygtuką, kad laikinai oro srauto greitis padidėtų iki maksimalaus lygio. Atleidus galios režimo mygtuką, pūtiklis veiks ankstesniu greičiu.

J pav. nurodytų dalių aprašymas yra pateiktas toliau:

J-1	Oro pūtimo greičio reguliavimo / blokavimo ratukas	J-3	Oro greičio reguliavimo gaidukas
J-2	Padidintos galios režimo mygtukas		

Pūtiklio naudojimo patarimai

- Kad neišsklaidytumėte šiukšlių, pūskite palei šiukšlių krūvos išorinius kraštus. Niekada nepūskite tiesiai į šiukšlių krūvos vidurį.
- Norėdami sumažinti triukšmo lygį, tuo pat metu naudokite mažiau įrenginių.
- Prieš pūsdami šiukšles, pasklaidykite jas grėbliu arba šluota. Jei įmanoma, dulkečioje aplinkoje šiek tiek sudrėkinkite paviršius vandeniu.
- Būkite atsargūs, kai netoliese yra vaikų, augintinių, atvirų langų arba ką tik nuplautų automobilių, ir šiukšles nupūskite atsargiai.
- Panaudoję pūstuvą arba kitą įrangą, ją nuvalykite! Šiukšles tinkamai išmeskite.
- Nerekomenduojama naudoti pūtiklį dideliu greičiu ilgą laiką, nes didelės vibracijos ir triukšmas gali pakenkti jūsų sveikatai.

TECHNINĖ PRIEŽIŪRA

⚠️ ĮSPĖJIMAS. Atlikdami techninės priežiūros darbus, naudokite tik identiškas atsargines dalis. Naudojant bet kokias kitas dalis, gali kilti pavojus arba sugesti gaminys. Norint užtikrinti saugumą ir patikimumą, visus remonto darbus turi atlikti kvalifikuotas techninės priežiūros specialistas.

⚠️ ĮSPĖJIMAS. Visada išimkite akumuliatorių iš gaminio prieš jį valydami arba prieš atlikdami jo techninės priežiūros darbuengtumėte pavojaus sunkiai susižaloti.

BENDROJI TECHNINĖ PRIEŽIŪRA

Plastikinių dalių nevalykite tirpikliais. Įvairūs komerciniai tirpikliai gali pažeisti daugelį plastikų ir neturėtų būti naudojami, nes gali sugadinti gaminį. Purvą, dulkes, tepalus, riebalus ir panašius nešvarumus valykite švariomis šluostėmis.

⚠️ ĮSPĖJIMAS. Jokiū būdu neleiskite stabdžių skysčiui, benziniui, naftos produktams, skvarbiai alyvai ir panašioms medžiagoms patekti ant plastikinių dalių. Chemikalai gali sugadinti, susilpninti arba suardyti plastiką. Dėl to galite sunkiai susižaloti.

LAIKYMAS

- Iš pūtiklio išimkite akumuliatorių.
- Nuvalykite visas pašalines medžiagas nuo pūstuve esančių oro įsiurbimo angų.
- Laikykite patalpoje, vaikams nepasiekiamoje vietoje. Laikykite toliau nuo edančiųjų medžiagų, pvz., sodo chemikalų ir druskų ledui tirpdyti.

Aplinkos apsauga



Neišmeskite elektros įrangos, akumulatoriaus įkroviklio ir baterijų / akumuliatorių su buitėmis atliekomis!

Pagal Europos Parlamento ir Tarybos direktyvas 2012/19/EB ir 2006/66/EB nenaudojama elektros bei elektronikos įranga ir nenaudojami arba sugedę akumulatoriai ir (arba) baterijos turi būti surenkami atskirai ir išmetami aplinkai nekenkiančiu būdu.

Jei elektriniai prietaisai išmetami į užkasamuosius arba atviruosius sąvartynus, kenksmingos medžiagos gali prisisunkti iki gruntinio vandens, patekti į mitybos grandinę ir kenkti jūsų sveikatai bei gerovei.

TRIKČIŲ ŠALINIMAS

PROBLEMA	PRIEŽASTIS	SPRENDIMAS
Pūstuvus neveikia.	<ul style="list-style-type: none"> ■ Akumuliatorius neprijungtas prie pūstuvo. ■ Nėra elektrinio kontakto tarp pūstuvo ir akumuliatoriaus. ■ Akumuliatorius visiškai išsekęs. ■ Akumuliatorius arba pūstuvus pernelyg įkaitęs. ■ Prieš įjungiant pūtiklį, oro srauto greičio reguliavimo / blokavimo ratukas nebuvo grąžintas į išjungimo padėtį. 	<ul style="list-style-type: none"> ■ Prijunkite akumuliatorių prie pūstuvo. ■ Išimkite akumuliatorių, patikrinkite kontaktus ir vėl įdėkite akumuliatorių. ■ Įkraukite akumuliatorių. ■ Atvėsinkite akumuliatorių, kad jo temperatūra nukristų žemiau 67 °C. Paspauskite oro srauto greičio reguliavimo gaiduką, kad išjungtumėte apsaugą ir paleistumėte pūtiklį arba pirmiausiai pasukite oro pūtimo srauto greičio / blokavimo ratuką į išjungimo padėtį.
Oro srauto greitis labai sumažėjo.	<ul style="list-style-type: none"> ■ Pernelyg susidėvėjęs variklio ventiliatorius. ■ Šiukšlės užkimšo oro įsiurbimo angą. 	<ul style="list-style-type: none"> ■ Kreipkitės į EGO techninės priežiūros centrą, kad sutaisytų. ■ Išimkite akumuliatorių ir nuvalykite šiukšles.

GARANTIJA

EGO GARANTINIS POLISAS

Norėdami sužinoti visas EGO garantinio poliso sąlygas, apsilankykite interneto svetainėje egopowerplus.com.

IZLASIET VISAS INSTRUKCIJAS!



IZLASIET LIETOŠANAS ROKASGRĀMATU

PIEZĪME: Šīs instrukcijas ir pieejamas arī citā veidā, piemēram, tīmekļa vietnē.

⚠️ Atlikušais risks! Cilvēkiem ar elektroniskām ierīcēm, piemēram, elektrokardiostimulatoru, pirms šī produkta lietošanas jākonsultējas ar savu(-iem) ārstu(-iem). Elektrisko iekārtu darbība elektrokardiostimulatora tuvumā var izraisīt tā darbības traucējumus vai apstāšanos.

⚠️ BRĪDINĀJUMS: Lai garantētu drošību un uzticamību, visi remontdarbi un detaļu maiņas darbi jāveic kvalificētam servisa speciālistam.

DROŠĪBAS SIMBOLI

Drošības simbolu mērķis ir piesaistīt jūsu uzmanību iespējamām briesmām. Lūdzu, rūpīgi izpētiet un izprotiet drošības simbolus un to skaidrojumus. Brīdinājumu simboli paši par sevi nenovērš nekādu apdraudējumu. To sniegtie norādījumi un brīdinājumi neaizstāj īstus negadījumu novēršanas pasākumus.

⚠️ BRĪDINĀJUMS: Noteikti izlasiet un izprotiet visus drošības norādījumus šajā ekspluatācijas rokasgrāmatā, ieskaitot visus drošības brīdinājuma simbolus, kā "BĪSTAMI", "BRĪDINĀJUMS" un "UZMANĪBU!" pirms šīs ierīces lietošanas. Tālāk norādīto norādījumu neievērošana var izraisīt elektrošoku, ugunsgrēku un/vai smagus miesas bojājumus.

BOJĀJUMU NOVĒRŠANA UN INFORMĀCIJAS ZIŅOJUMI

Tie informē lietotāju par svarīgu informāciju un/vai instrukcijām, kas neievērošanas gadījumā varētu novest pie aprikojuma vai cita īpašuma bojājumiem. Katra ziņojuma sākumā ir vārds "PIEZĪME", kā tālāk norādītajā piemērā:

PIEZĪME: Šo instrukciju neievērošanas gadījumā var rasties aprikojuma vai īpašuma bojājumi.



⚠️ RĪDINĀJUMS. Mehānizēto darbarīku lietošanas laikā acis var iekļūt svešķermeņi, kas savukārt var radīt smagu acu traumu. Pirms mehānizētā darbarīka izmantošanas vienmēr uzlieciet aizsargbrilles vai aizsargbrilles ar sānu aizsargiem un pilnu sejas aizsargu (ja nepieciešams). Uz parastajām brillēm vai standarta aizsargbrillēm ar sānu aizsargiem ieteicams uzlikt plata skata leņķa drošības masku.

DROŠĪBAS INSTRUKCIJAS

Šajā lapā attēloti un aprakstīti drošības simboli, kas var būt norādīti uz šī produkta. Izlasiet, izprotiet un ievērojiet visus norādījumus uz instrumenta, pirms mēģināt to samontēt un darbināt.

	Drošības brīdinājums	Piesardzības pasākumi, kas attiecas uz jūsu drošību.
	Nēsājiet aizsargbrilles	Strādājot ar šo ierīci, vienmēr jānēsā aizsargbrilles vai aizsargbrilles ar sānu sargiem un pilna sejas maska.
	Nēsājiet dzirdes aizsardzības līdzekļus	Strādājot ar šo ierīci, vienmēr jānēsā dzirdes aizsardzības līdzekļi.
	Izlasiet ekspluatācijas instrukciju	Lai mazinātu traumu rašanās iespējamību, lietotājam pirms šī izstrādājuma lietošanas ir jāizlasa operatora rokasgrāmata.
	Raugieties, lai tuvumā neviena nebūtu	Raugieties, lai vismaz 15m attālumā neviena nebūtu.
V	Volti	Spriegums
A	Ampēri	Strāva
Hz	Herci	Frekvence (cikli sekundē)
W	Vati	Jauda
min	Minūtes	Laiks
m³/h	Kubikmetri stundā	Gaisa tilpums
km/h	Kilometri stundā	Gaisa plūsmas ātrums
~	Maiņstrāva	Strāvas veids

LV

	Līdzstrāva	Strāvas veids vai raksturīgās īpašības
n_0	Brīvgaitas ātrums	Rotācijas ātrums brīvgaitā
... /min	Minūtē	Apgriezieni minūtē

Lietojot elektroierīci, vienmēr jāievēro pamata piesardzības pasākumi, ieskaitot tālāk norādītos.

VISPĀRĒJIE ELEKTROINSTRUMENTU DROŠĪBAS BRĪDINĀJUMI

BRĪDINĀJUMS: IZLASIET VISUS AR ŠO ELEKTROINSTRUMENTU SAISTĪTOS DROŠĪBAS BRĪDINĀJUMUS, NORĀDĪJUMUS, SPECIFIKĀCIJAS UN APLŪKOJIET ATTĒLUS.

Visu turpmāk uzskaitīto norādījumu neievērošana var izraisīt elektriskās strāvas triecienu, aizdegšanos un/vai nopietnas traumas

SAGLABĀJIET VISUS BRĪDINĀJUMUS UN INSTRUKCIJAS TURPMĀKAI IZMANTOŠANAI.

Termins "elektroinstruments" brīdinājumos attiecas uz jūsu elektrotīkla darbināto (vadu) elektroinstrumentu vai akumulatora darbināto (bezvadu) elektroinstrumentu.

DROŠĪBA DARBA VIETĀ

- Turiet darba vietu tīru un labi apgaismotu. Pārblīvētās vai tumšās vietās var notikt nelaimes gadījums.
- Nedarbiniet elektroinstrumentus eksplozīvā vidē, piemēram, uzliesmojošu šķidrums, benzīna vai putekļu klātbūtnē. Elektroinstruments var radīt dzirksteles, kas var aizdedzināt putekļus vai tvaikus.
- Neļaujiet bērniem un garāmgājējiem atrasties tuvumā, kamēr darbojas elektroinstruments. Uzmanības novēršanas dēļ var zaudēt kontroli.

ELEKTRODROŠĪBA

- Elektroinstrumenta kontaktdakšai jāatbilst kontaktligzdai. Nekad nekadā veidā nepārveidojiet kontaktdakšu. Nelietojiet adaptera kontaktdakšas iezemētiem elektroinstrumentiem. Nemodificētas kontaktdakšas un atbilstošas kontaktligzdas samazinās elektrošoka risku.
- Izvairieties no ķermeņa saskares ar iezemētām virsmām, piemēram, caurulēm, radiatoriem, plītiem un ledusskapjiem. Pastāv paaugstināts risks saņemt elektrošoku, ja jūsu ķermenis ir saņemts.
- Nelietojiet elektroinstrumentu lietū vai mitrumā. Elektroinstrumentā iekļuvisais ūdens palielina elektrošoka risku.

- Nevelciet aiz vada. Nekad nenesiet un nevelciet aiz vada vai neraujiet to, lai atvienotu elektroinstrumentu no kontaktligzdas. Turiet vadu prom no karstuma avotiem, eļļas, asām malām vai kustīgām daļām. Bojāti vai sapinušies vadi var palielināt elektrošoka risku.
- Lietojot elektroinstrumentu ārā, izmantojiet pagarinātāja vadu, kas piemērots izmantošanai ārpus telpām. Lietojot vadu, kas piemērots darbam ārpus telpām, tiek samazināts elektrošoka risks.
- Ja elektroinstrumenta darbināšana mitrā vietā ir neizbēgama, izmantojiet strāvas padevi ar zemslēguma ķēžu pārtraucēja (GFCI) palīdzību. GFCI izmantošana samazina elektrošoka risku.

INDIVIDUĀLĀ DROŠĪBA

- Saglabājiet modrību, skatieties, ko darāt, un izmantojiet veselo saprātu, darbojoties ar elektroinstrumentu. Neizmantojiet elektroinstrumentu, ja esat noguris vai atrodaties narkotiku vai alkohola reibumā vai medikamentu ietekmē. Brīdis neuzmanības, darbojoties ar elektroinstrumentu, var izraisīt nopietnas traumas.
- Lietojiet individuālo aizsardzības aprīkojumu. Vienmēr nēsājiet aizsargbrilles. Aizsardzības aprīkojums, piemēram, putekļu maskas, neslidoši apavi, ķivere vai dzirdes aizsardzības līdzekļi, kas tiek atbilstoši izmantoti, samazinās savainojumu risku.
- Novērsiet elektroinstrumenta patvaļīgu ieslēgšanos. Pārlicinieties, vai slēdzis ir izslēgtā stāvoklī pirms savienojuma izveides ar barošanas avotu un/vai akumulatoru, ceļot vai nesot instrumentu. Pārnēsājot elektroinstrumentu ar pirkstu uz slēdža vai iedarbinot elektroinstrumentu, ieslēgtā stāvoklī, var notikt nelaimes gadījums.
- Pirms elektroinstrumenta iedarbināšanas noņemiet no tā jebkādu regulējošu vai uzgriežņu atslēgu. Uzgriežņu vai regulējošā atslēga, kas atstāta uz kādas rotējošas elektroinstrumenta daļas, var izraisīt savainojumus.
- Neturiet ierīci pārāk tālu. Vienmēr pārlicinieties, ka ir drošs pamats un saglabājiet līdzsvaru. Tas atvieglo kontroli pār elektroinstrumentu neparedzētās situācijās.
- Ģērbieties atbilstoši. Nevalkājiēt vaļīgu apģērbu vai rotaslietas. Sargājiet matus, apģērbu un cimdus no kustīgajām daļām. Vaļīgs apģērbs, rotaslietas un gari mati var iekerties kustīgajās daļās.

LV

- Ja ierīces ir paredzētas savienošanai atpūtkļošanas un savākšanas iekārtām, pārliecinieties, ka tās ir pievienotas un pareizi izmantotas. Putekļu iekārtu izmantošana var samazināt ar putekļiem saistītos apdraudējumus.
- Nepieļaujiet, ka instrumentu bieža lietošana varētu izraisīt nevērīgu attieksmi darbā ar tiem, un neignorējiet ar instrumenta lietošanu saistītos drošības principus. Viens mirklis neuzmanības var izraisīt nopietnas traumas.

ELEKTROINSTRUMENTA LIETOŠANA UN APKOPE

- Nepārslogojiet elektroinstrumentu. Izmantojiet savai darbībai atbilstošu elektroinstrumentu. Īstais elektroinstrumentu darbu paveiks labāk un drošāk tādā ātrumā, kā paredzēts.
- Nelietojiet elektroinstrumentu, ja slēdzis to neieslēdz un neizslēdz. Jebkurš elektroinstrumentu, ko nevar ieslēgt un izslēgt ar slēdzi, ir bīstams, un to nepieciešams remontēt.
- Atvienojiet kontaktdakšu no barošanas avota un/ vai akumulatoru no elektroinstrumenta pirms jebkādu labojumu veikšanas, piederumu maiņas vai elektroinstrumenta uzglabāšanas. Šādi aizsardzības pasākumi ļauj samazināt nejaušas elektroinstrumenta darbības uzsākšanas risku.
- Kad elektroinstrumentu nelietojat, uzglabājiet to bērniem nepieejamā vietā un neļaujiet personām, kas neprot lietot vai nav iepazinušas ar šo rokasgrāmatu, darbināt elektroinstrumentu. Elektroinstrumenti ir bīstami neapmācītu lietotāju rokās.
- Veiciet elektroinstrumentu apkopi. Pārbaudiet, vai kustīgās daļas nav zaudējušas savienojuma precizitāti, vai kāda detaļa nav salūzusi, vai nav kāda cita kļūme, kas var ietekmēt elektroinstrumenta darbību. Ja elektroinstrumentu ir bojāts, lieciet to pirms lietošanas saremontēt. Daudzi nelaimes gadījumi notiek ar slikti apkoptiem elektroinstrumentiem.
- Uzturiet griezošās daļas uzasinātas un tīras. Rūpīgi koptas griezošās daļas ar asām griezošajām malām mazāk saķersies un būs vieglāk vadāmas.
- Lietojiet elektroinstrumentu, piederumus, instrumentus utt. saskaņā ar šiem norādījumiem, ņemot vērā darba apstākļus un veicamo darbu. Elektroinstrumenta izmantošana darbībā, kas atšķiras no tam paredzētajām, var radīt bīstamu situāciju.
- Rokturim un satveršanas daļām jābūt sausiem, tīriem un uz tiem nedrīkst būt eļļa vai smērviela. Ja rokturi un satveršanas daļas ir mitras, tās slīdēs, un ar instrumentu vairs nebūs droši strādāt, kā arī apvaldīt neparedzētu apstākļu gadījumos.

LV

AKUMULATORA LIETOŠANA UN APKOPE

- Uzlādējiet tikai ar tādu lādētāju, kādu norādījis ražotājs. Lādētājs, kas ir piemērots viena veida akumulatoram, var radīt ugunsgrēka risku, ja to izmanto ar citu akumulatoru.
- Izmantojiet elektroinstrumentiem tikai tiem īpaši paredzētos akumulatorus. Izmantojot citus akumulatorus, var izraisīt ugunsgrēka vai traumas risku.
- Ja akumulators netiek lietots, uzglabājiet to prom no citiem metāla priekšmetiem, piemēram, papīra saspraudēm, monētām, atslēgām, naglām, skrūvēm vai citiem maziem metāla priekšmetiem, kas var izveidot savienojumu starp diviem kontaktiem. Īsslēguma izveidošanās starp akumulatora kontaktiem var izraisīt apdegumus vai ugunsgrēku.
- Sliktos apstākļos no akumulatora var izlīst šķidrums; izvairieties no saskares ar to. Ja saskare nejauši notikusi, noskalojiet ar ūdeni. Ja šķidrums nonācis acīs, papildus vērsieties pēc medicīniskās palīdzības. Šķidrums, kas iztecējis no akumulatora, var izraisīt kairinājumu vai apdegumus.
- Nelietojiet bojātu vai pārveidotu akumulatoru bloku vai instrumentu. Bojātu vai pārveidotu akumulatoru izmantošana var radīt neparedzamus apstākļus, kas rada aizdegšanās, sprādziena vai traumas gūšanas draudus.
- Nepakļaujiet akumulatoru bloku vai instrumentu uguns liesmu vai pārmērīgas temperatūras iedarbībai. Uguns liesmu iedarbība vai temperatūra virs 130 °C var izraisīt sprādzienu.
- Izpildiet visas uzlādēšanas instrukcijas un neuzlādējiet akumulatoru bloku vai instrumentu ārpus instrukcijās norādītajām temperatūras vērtībām. Ja instruments tiek uzlādēts nepareizi vai tiek pārsniegtas instrukcijās norādītās uzlādēšanas temperatūras vērtības, akumulators var sabojāties un palielināt aizdegšanās risku.

SERVISS

- Elektroinstrumenta remontdarbus drīkst veikt tikai kvalificēts speciālists, izmantojot tikai oriģinālās rezerves daļas. Tādējādi tiks garantēts elektroinstrumenta lietošanas drošums.
- Nekad neveiciet bojātam akumulatoru blokam remontdarbus pašrocīgi. Bojāta akumulatoru bloka remontdarbus drīkst veikt tikai ražotājs vai pilnvaroti servisa darbinieki.

IZLASIET VISAS INSTRUKCIJAS PIRMS ŠĪ PRODUKTA LIETOŠANAS!

INSTRUMENTA LIETOŠANAS APGŪŠANA

- Nekad neļaujiet lietot šo ierīci bērniem, personām ar ierobežotām fiziskajām, sensorajām vai garīgajām spējām vai bez pietiekamas pieredzes un zināšanām, vai cilvēkiem, kuri nav iepazinušies ar šīm instrukcijām.
- Operators vai lietotājs ir atbildīgs par nelaiemes gadījumiem vai apdraudējumiem, kas var gadīties citiem cilvēkiem vai viņu īpašumam.

SAGATAVOŠANĀS DARBAM

- Elektroinstrumentu var izmantot lietū vai mitros laikapstākļos. Kad darbs ir pabeigts, nosusiniet elektroinstrumentu.
- Pirms lietošanas pārbaudiet, vai akumulatoram vai baterijām nav kāds bojājums. Nelietojiet ierīci, ja akumulators vai baterijas ir bojāts(-as).

EKSPLUATĀCIJA

- Elektroinstrumentu var izmantot lietū vai mitros laikapstākļos. Kad darbs ir pabeigts, nosusiniet elektroinstrumentu.
- Atvienojiet baterijas vai akumulatorus:
 1. Ikreiz, kad atstājat ierīci;
 2. Pirms nosprostojuma tīrīšanas;
 3. Pirms ierīces pārbaudīšanas, tīrīšanas un apkopes;
 4. Ja ierīce sāk neparasti vibrēt.
- Vienmēr pārliecinieties, vai jums, atrodoties slīpumā, zem kājām ir drošs pamats.
- Ejiet, nekad neskrieniet.
- Raugieties, lai visas dzesēšanas gaisa ieplūdes būtu tīras no gružiem.
- Ieteikums darbināt ierīci tikai pieņemamā diennakts laikā – ne agri no rīta vai vēlu vakarā, kad tas varētu traucēt cilvēkus.
- Ieteikums putekļainos apstākļos nedaudz samitrināt virsmu vai izmantot miglošanas uzliku.

⚠ BRĪDINĀJUMS: Rotējošu daļu bīstamība!

- Izmantojiet visu pūtēja sprauslas pagarinājumu, lai gaisa plūsma atrastos tuvu zemei.
- Nedarbiniet ierīci pie atvērtiem logiem utt.

APKOPE UN UZGLABĀŠANA

- Raugieties, lai visi uzgrīzēji un skrūves būtu kārtīgi pievilkti garantijai, ka ierīce ir droša un tā ir darba stāvoklī.
- Nomainiet nodilušās vai bojātās daļas.
- Lietojiet tikai oriģinālās rezerves daļas un piederumus.
- Uzglabājiet ierīci tikai sausā vietā.

⚠ BRĪDINĀJUMS: Lai samazinātu ugunsgrēka, elektrošoka vai traumas risku:

SVARĪGI

RŪPĪGI IZLASIET PIRMS LIETOŠANAS.

SAGLABĀJIET TURPMĀKĀM UZZIŅĀM.

- Neļaujiet pūtēju izmantot ka rotallietu. Cieša vērība ir nepieciešama, ja to izmanto bērni vai to izmanto bērnu tuvumā.
- Nogādājiet pūtēju uz servisa centru, ja tas nedarbojas, kā vajadzētu, ir nokritis zemē, jebkāda veidā ir bojāts vai ir iekritis ūdenī.
- Nelieciet neko atverēs. Nelietojiet, ja tikusi nobloķēta kāda atvere; raugieties, lai atverēs nebūtu putekļu, pūku, matu vai kā cita, kas var samazināt gaisa plūsmu.
- Strādājiet ar īpašu vērību, tīrot kāpnēs.
- Neatstājiet pūtēju bez uzraudzības, ja tajā ir iesprausta kontaktdakša. Kad pūtējs netiek lietots, vai pirms veicat apkopi, izņemiet no tā akumulatoru.
- Nepieskarieties lādētājam, tostarp lādētāja kontaktdakšai vai lādētāja kontaktiem ar mitrām rokām.
- Nelādējiet akumulatoru ārpus telpām.

⚠ BRĪDINĀJUMS:

- Izņemiet akumulatora bloku no instrumenta pirms atbrīvojaties no tā.
- No akumulatora jāatbrīvojas drošā veidā.

- **NEMĒĢINIET** iztīrīt aizsērējumus no ierīces, vispirms neizņemot akumulatoru.


LV

- **Uzturiet pūtēju un tā rokturi sausus, tīrus un brīvus no eļļas un smērvielām.** Tīrīšanai vienmēr izmantojiet tīru lupatiņu. Nekad lapu pūtēja tīrīšanai neizmantojiet bremžu šķidrums, benzīnu, naftas produktus vai jebkādu citu spēcīgu šķīdinātāju. Ievērojot šo noteikumu, samazināsies risks zaudēt kontroli un norobežojošās plastmasas stāvokļa pasliktināšanās risks.
- **Akumulatori var eksplodēt aizdegšanās avotu, piemēram, signāllampīgas, klātbūtnē.** Lai samazinātu smagu miesas bojājumu risku, nekad neizmantojiet bezvadu produktu atklātas liesmas tuvumā. Eksplodējis akumulators var izsviest atlūzas un ķīmikālijas. Nonākot ar tām saskarē, tūlīt skalot ar ūdeni.
- **Nekad nedarbiniet ierīci bez pienācīga aprikojuma uzstādīšanas.** Vienmēr pārliecinieties, lai pūtēja caurule būtu pievienota.
- **Nekad nelietojiet pūtēju ugunsgrēku vai karstu pelnu tuvumā.** Lietošana ugunsgrēku vai pelnu tuvumā var izraisīt ugunsgrēka izplatīšanos un izraisīt nopietnas traumas un/vai īpašuma bojājumus.
- **Nekad neizmantojiet pūtēju, lai izplatītu ķīmiskas vielas, mēslojumu vai citas toksiskas vielas.** Šo vielu izplatīšana var izraisīt nopietnus kaitējumus operatoram vai klātesošajiem.
- **Saglabājiet šo instrukciju.** Vairākkārt pārlasiet un izmantojiet šo instrukciju, lai sniegtu norādījumus citiem, kas izmanto šo ierīci. Ja kādam aizdodāt šo darbarīku, pievienojiet arī šo instrukciju, lai nepieļautu nepareizu darbarīka izmantošanu un traumu rašanos.

SAGLABĀJIET ŠO INSTRUKCIJU!

LV

SPECIFIKĀCIJAS

Spriegums	56 V 
Gaisa tilpums	986 m³/h
Ieteicamā darba temperatūra	-15°C–40°C
Ieteicamā uzglabāšanas temperatūra	-20°C–70°C
Maksimālo gaisā plūsmas ātrumu	65m/s (bez apaļas sprauslas)
	75m/s (Ar apaļo uzgali)

Aptuvenais darbības laiks (ar EGO 5,0 Ah akumulatoru)	18 min. (paātrinājuma režīms)
	30 min. (liels ātrums)
	200 min. (zems ātrums)
Maksimālais pūšanas spēks	18N
Pūtēja svars (bez akumulatora)	2,18 kg
Izmēritais skaņas intensitātes līmenis L_{WA}	94,73 dB(A) K=2,83 dB(A)
Skaņas spiediena līmenis pie operatora auss L_{PA}	78,4 dB(A) K=2,5 dB(A)
Garantētais skaņas intensitātes līmenis L_{WA} (izmērits atbilstoši 2000/14/EK)	98 dB(A)
Vibrācija a_h	0,505 m/s² K=1,5 m/s²

- Noteiktā vibrāciju kopējā vērtība tikusi mērīta atbilstoši standarta testēšanas metodei un to var izmantot, lai savā starpā salīdzinātu vienu instrumentu ar otru;
- Noteikto vibrāciju kopējo vērtību var izmantot arī darbības priekšvērtējumam.

PIEZĪME: Vibrācijas emisija elektroinstrumenta faktiskās lietošanas laikā var atšķirties no noteiktās vērtības, kādā šis instruments tiek lietots; Operatora aizsardzībai faktiskās lietošanas apstākļos jāvalkā aizsargcimdi un dzirdes aizsardzības līdzekļi.

IEPAKOJUMA SARAKSTS

DETAĻAS NOSAUKUMS	DAUDZUMS
Pūtējs	1
Pūtēja caurule	1
IUzgalis	2
Ekspluatācijas instrukcija	1

APRAKSTS

IEPAZĪSTIET SAVU PŪTĒJU (A att.)

1. Plakanais uzgalis
2. Apaļais uzgalis
3. Pūtēja caurule
4. Caurules atbrīvošanas poga

5. Pamatne
6. Gaisa ieplūde
7. Akumulatora izņemšana
8. Elektriskie kontakti
9. Slēgmehānisms
10. Akumulatora atbrīvošanas poga
11. Gaisa ātruma regulēšanas slēdzis
12. Paātrinājuma poga
13. Ātruma regulēšanas/bloķēšanas rīpa

⚠ BRĪDINĀJUMS: Lai šo produktu varētu droši lietot, nepieciešams izprast informāciju par šo ierīci, kā arī to, kas ir šajā rokasgrāmatā, kā arī nepieciešamas zināšanas par darbu, ko vēlaties veikt. Pirms šī produkta lietošanas, iepazīstieties ar visām darbības funkcijām un drošības noteikumiem.

MONTĀŽA

⚠ BRĪDINĀJUMS: Ja kāda daļa ir bojāta vai trūkst, nedarbiniet šo izstrādājumu, kamēr šādas daļas nav nomainītas. Darbinot šo izstrādājumu ar bojātām vai trūkstošām daļām varat gūt nopietnus ievainojumus.

⚠ BRĪDINĀJUMS: Nemēģiniet pārveidot šo ierīci vai izveidot piederumus, kas nav ieteicami lietošanai kopā ar šo pūtēju. Jebkāda šāda veida pārveidošana vai modifikācija uzskatāma par nepareizu lietošanu un var būt bīstama, riskējot izraisīt nopietnu trauma.

⚠ BRĪDINĀJUMS: Lai novērstu nejaušu ieslēgšanos, kas var radīt nopietnus miesas bojājumus, vienmēr pirms daļu salikšanas izņemiet no instrumenta akumulatoru bloku.

PIELIETOŠANA

Varat izmantot šo produktu turpmāk uzskaitītajiem mērķiem:

- Cietu virsmu attīrīšanai, piemēram, piebraucamajiem ceļiem un gājēju ceļiņiem.
- Klāju un piebraucamo ceļu attīrīšanai no lapām un skuļām.

PIEZĪME: Šis darbarīks ir izmantojams tikai tam paredzētajam nolūkam. Izmantošana jebkuram citam nolūkam ir uzskatāma par nepareizu izmantošanu.

PŪTĒJA CAURULES MONTĀŽA/NOŅEMŠANA

- **Montāža (B & C att.)**
Novietojiet cauruli vienā līmenī ar gropi un iebīdīet to pūtēja korpusā, līdz sadzirdat klikšķi.
- **Noņemšana (D att.)**
Piespiediet caurules atbrīvošanas pogu un izvelciet cauruli ārā.

PŪTĒJA APAĻĀ/PLAKANĀ UZGAĻA UZLIKŠANA/NOŅEMŠANA

- **Uzlikšana (E & F att.)**
Uzlieciet sprauslu uz caurules gala tā, lai sprauslas grope sakristu ar caurules pogu, un lēnām spiediet sprauslu uz caurules gala, līdz tā nofiksējas.
- **Noņemšana (G att.)**
Lai atlaistu fiksatoru, nospiediet un pieturiet sprauslas atlaišanas pogu, pēc tam izvelciet sprauslu no pūtēja.

PIEZĪME! Plakano uzgali noņem tādā pašā secībā, kādā to uzliek.

AKUMULATORA UZSTĀDĪŠANA/NOŅEMŠANA

Uzlādējiet pirms pirmās lietošanas.

Izmantojiet tikai A attēlā uzskaitītos akumulatora blokus un lādētājus.

- **Uzstādīšana (H att.)**
Novietojiet akumulatora izcīlnis vienā līmenī ar lādētāja montāžas gropēm; iebīdīet akumulatoru iekšā, līdz sadzirdat klikšķi.
- **Noņemšana (I att.)**
Nospiediet akumulatora atbrīvošanas pogu un izvelciet akumulatoru ārā.

⚠ BRĪDINĀJUMS: Vienmēr pārbaudiet, kāds ir pamats zem kājām un vai tuvumā neatrodas bērni vai dzīvnieki, kad nospiežat akumulatora atbrīvošanas pogu. Ja akumulators nokrīt, var gūt nopietnus savainojumus. **NEKAD** neizņemiet akumulatoru, kad atrodiaties augstumā.

Zemāk norādīts H attēla detaļu apraksts:

H-1	Akumulatora atbrīvošanas poga	H-3	Stiprinājuma rievā
H-2	Akumulatora izcīlnis		

PŪTĒJA IESLĒGŠANA/IZSLĒGŠANA (J att.)

- **Tikai gaisa pūšanas ātruma regulēšanas slēdzis**
1. Lai ieslēgtu pūtēju, nospiediet gaisa pūšanas ātruma pārslēgu.
 2. Pūtēja gaisa pūšanas ātrumu regulē ar dažādu ātrumu pārslēgu. Piespiežot pārslēgu stingrāk, rodas lielāks gaisa pūšanas ātrums; piespiežot mazāk — lēnāks pūšanas ātrums. Pielāgojiet veicamajiem darbiem nepieciešamo ātrumu.
 3. Lai izslēgtu pūtēju, atlaidiet gaisa pūšanas ātruma pārslēgu.

LV

■ Ātruma regulēšanas/bloķēšanas ripa

Ar ātruma regulēšanas/bloķēšanas ripu pūtēju var ieslēgt un nobloķēt jebkurā ātrumā.

1. Lai ieslēgtu pūtēju, pagrieziet ātruma regulēšanas/bloķēšanas ripu pulksteņrādītāja kustības virzienā. Pagriezot ripu pulksteņrādītāja kustības virzienā, gaisa pūšanas ātrums kļūs lielāks.
2. Lai samazinātu gaisa pūšanas ātrumu, pagrieziet ātruma regulēšanas/bloķēšanas ripu pretēji pulksteņrādītāja kustības virzienam.
3. Lai apturētu pūtēju, pagrieziet ātruma regulēšanas/bloķēšanas ripu pretēji pulksteņrādītāja kustības virzienam, iepretim apturēšanas pozīcijai.

PIEZĪME! Ja pirms pūtēja ieslēgšanas ātruma regulēšanas/bloķēšanas ripa netika pagriezta iepretim apturēšanas pozīcijai, tad pūtēju, pagriezot ātruma regulēšanas/bloķēšanas ripu pēc ievietota uzlādēta akumulatora, nevarēs ieslēgt. Šī ir aizsardzības funkcija, kas palīdz novērst nejaušu ieslēgšanos. Gaisa pūšanas ātruma pārslēga nospiešana var deaktivizēt aizsardzību.

Darbības laikā, nospiežot paātrinājuma pogu, gaisa pūšanas ātrumu var īslaicīgi palielināt līdz maksimālajam līmenim. Atlaižot paātrinājuma pogu, pūtējs atsāks darboties iepriekš izvēlētajā ātrumā.

Zemāk norādīts J attēla detaļu apraksts:

J-1	Ātruma regulēšanas/bloķēšanas ripa	J-3	Gaisa pūšanas ātruma regulēšanas slēdzis
J-2	Paātrinājuma poga		

LV

Pūtēja lietošanas ieteikumi

- Lai izvairītos no grūžu izmētāšanas, nopūti apkārt grūžu kaudzes ārējām malām. Nekad nepūti tieši kaudzes centrā.
- Lai samazinātu trokšņu līmeni, ierobežojiet vienlaicīgi izmantoto iekārtu skaitu.
- Izmantojiet grābekļus un slotas grūžu notīrīšanai pirms pūšanas. Putekļainos apstākļos nedaudz samitriniet virsmu, kad pieejams ūdens.
- Raugieties, lai tuvumā nebūtu bērni, dzīvnieki, atvērti logi vai tikko mazgātas automašīnas, lai droši varētu izpūst grūzus.
- Pēc pūtēju vai citu aprīkojuma lietošanas sakopiet! Atbrīvojieties no grūžiem pareizā veidā.
- Pūtēju nav ieteicams izmantot ilgstoši ar lielu ātrumu, jo liela vibrācija un troksnis var kaitēt jūsu veselībai.

APKOPE

⚠ BRĪDINĀJUMS: Veicot apkopi, izmantojiet tikai identiskas rezerves daļas. Jebkuru citu daļu izmantošana var izraisīt apdraudējumu vai radīt produkta bojājumus. Lai garantētu drošību un uzticamību, visi remontdarbi jāveic kvalificētam servisa speciālistam.

⚠ BRĪDINĀJUMS: Lai izvairītos no nopietnas traumas, vienmēr izņemiet akumulatoru no instrumenta, kad veicat jebkādas tīrīšanas vai apkopes darbus.

VISPĀRĒJĀ APKOPE

Izvairieties izmantot šķīdinātājus, tīrot plastmasas daļas. Vairums plastmasu ir uzņēmīgas pret dažāda veida komerciālu šķīdinātāju bojājumiem un, tos izmantojot, var tikt sabojātas. Lai notīrītu netīrumus, putekļus, eļļu, taukus, utt., izmantojiet tīras lupatiņas.

⚠ BRĪDINĀJUMS: Nekādā gadījumā neļaujiet bremžu šķidrums, benzīnam, naftas produktiem, eļļām utt. nonākt saskarē ar plastmasas daļām. Ķīmikālijas var sabojāt, vājināt vai iznīcināt plastmasu, kas var izraisīt nopietnas traumas.

UZGLABĀŠANA

- Izņemiet no pūtēja akumulatoru bloku.
- Notīriet visus svešķermeņus no pūtēja gaisa ievades atverēm.
- Glabājiet telpās bērniem nepieejamā vietā. Sargājiet no kodīgiem līdzekļiem, piemēram, dārza ķīmikālijām un pret-apledojuuma sāļiem.

Vides aizsardzība



Neutilizējiet elektroiekārtas, akumulatora lādētāju un akumulatoru/uzlādējamās akumulatorus kopā ar sadzīves atkritumiem!

Saskaņā ar Eiropas direktīvu 2012/19/ ES, elektriskās un elektroniskās iekārtas, kas vairs nav izmantojamas, un saskaņā ar Eiropas direktīvu 2006/66/EK, bojāti vai izmantoti akumulatori/baterijas jāsavāc atsevišķi un jāutilizē videi draudzīgā veidā.

Ja elektroierīces tiek utilizētas poligonos vai izgāztuvēs, bīstamās vielas var ieplūst gruntsūdeņos un nokļūt pārtikas ķēdē, bojājot jūsu veselību un labsajūtu.

PROBLĒMU NOVĒRŠANA

PROBLĒMA	CĒĻONIS	RISINĀJUMS
Pūtējs nedarbojas.	<ul style="list-style-type: none"> ■ Akumulators nav pievienots pūtējam. ■ Starp pūtēju un akumulatoru nav elektriskā kontakta. ■ Akumulators ir iztukšots. ■ Akumulators vai pūtējs ir pārāk sakarsis. ■ Pirms pūtēja ieslēgšanas ātruma regulēšanas/bloķēšanas rīpa netika pagriezta iepretim apturēšanas pozīcijai. 	<ul style="list-style-type: none"> ■ Ievietojiet akumulatoru pūtējā. ■ Noņemiet akumulatoru, pārbaudiet kontaktus un ievietojiet akumulatoru atpakaļ. ■ Uzlādējiet akumulatoru. ■ Atdzesējiet akumulatoru un pūtēju līdz temperatūra nokrītas zem 67 °C. Lai deaktivizētu aizsardzības funkciju un ieslēgtu pūtēju, vispirms nospiediet gaisa pūšanas ātruma pārslēgu, vai arī pagrieziet ātruma regulēšanas/bloķēšanas rīpu iepretim apturēšanas pozīcijai.
Gaisa plūsmas ātrums ievērojami samazinās.	<ul style="list-style-type: none"> ■ Pārmērīgs motora ventilatora nolietojums. ■ Gaisa ieplūdi bloķē gruži. 	<ul style="list-style-type: none"> ■ Sazinieties ar EGO servisa centru attiecībā uz remontu. ■ Izņemiet akumulatoru, iztīriet gružus.

GARANTIJA

EGO WARRANTY POLITIKA

Lūdzu, apmeklējiet tīmekļa vietni egopowerplus.com, kur pieejama pilna EGO Garantijas politikas noteikumu un nosacījumu versija.

ΔΙΑΒΑΣΤΕ ΟΛΕΣ ΤΙΣ ΟΔΗΓΙΕΣ!



ΔΙΑΒΑΣΤΕ ΤΟ ΕΓΧΕΙΡΙΔΙΟ ΧΡΗΣΗΣ

ΣΗΜΕΙΩΣΗ: Αυτές οι οδηγίες θα είναι επίσης διαθέσιμες σε εναλλακτική μορφή, π.χ. σε μια ιστοσελίδα.

⚠ Υπολειπόμενοι κίνδυνοι! Άνθρωποι που φέρουν ηλεκτρονικές συσκευές όπως βηματοδότες πρέπει να συμβουλευτούν τους γιατρούς τους πριν τη χρήση αυτού του προϊόντος. Η λειτουργία ηλεκτρικών εξοπλισμών κοντά σε βηματοδότη μπορεί να προκαλέσει παρεμβολές ή βλάβη στον βηματοδότη.

⚠ ΠΡΟΕΙΔΟΠΟΙΗΣΗ: Για να διασφαλίσετε την ασφάλεια και την αξιοπιστία, όλες οι επισκευές πρέπει να διεξάγονται από εξειδικευμένο τεχνικό του σέρβις.

ΣΥΜΒΟΛΑ ΑΣΦΑΛΕΙΑΣ

Ο σκοπός των συμβόλων ασφαλείας είναι να σας τραβήξουν την προσοχή για ενδεχομένους κινδύνους. Προσέξτε και κατανοήστε τα σύμβολα ασφαλείας και τις επεξηγήσεις που τα συνοδεύουν. Οι προειδοποιήσεις συμβόλων από μόνες τους δεν εξαιλείφουν κανέναν κίνδυνο. Οι οδηγίες και οι προειδοποιήσεις που παρέχουν δεν υποκαθιστούν τα μέτρα σωστής πρόληψης ατυχημάτων.

⚠ ΠΡΟΕΙΔΟΠΟΙΗΣΗ: Βεβαιωθείτε ότι έχετε διαβάσει και κατανοήσει όλες τις οδηγίες ασφαλείας στο παρόν Εγχειρίδιο χειριστή, συμπεριλαμβανομένων όλων των συμβόλων ασφαλείας όπως «**ΚΙΝΔΥΝΟΣ**», «**ΠΡΟΕΙΔΟΠΟΙΗΣΗ**» και «**ΠΡΟΣΟΧΗ**», προτού χρησιμοποιήσετε αυτό το εργαλείο. Η μη τήρηση όλων των παρακάτω οδηγιών μπορεί να οδηγήσει σε ηλεκτροπληξία, πυρκαγιά ή/και σοβαρό ατομικό τραυματισμό.

ΠΡΟΛΗΨΗ ΖΗΜΙΑΣ ΚΑΙ ΠΛΗΡΟΦΟΡΙΑΚΑ ΜΗΝΥΜΑΤΑ

Με αυτά ενημερώνεται η χρήστης για σημαντικές πληροφορίες ή/και οδηγίες που θα μπορούσαν να οδηγήσουν σε ζημιά εξοπλισμών ή άλλης ιδιοκτησίας εάν δεν τηρηθούν. Μάθε μήνυμα προηγείται από τη λέξη «ΣΗΜΕΙΩΣΗ», όπως στο παράδειγμα παρακάτω:

ΣΗΜΕΙΩΣΗ: Μπορεί να προκύψει ζημιά στον εξοπλισμό ή/και στην ιδιοκτησία εάν δεν τηρούνται αυτές οι οδηγίες.



⚠ ΠΡΟΕΙΔΟΠΟΙΗΣΗ: Η λειτουργία ηλεκτρικών εργαλείων μπορεί να επιφέρει εκτόξευση ξένων αντικειμένων στα μάτια σας, με αποτέλεσμα σοβαρή βλάβη σε αυτά. Προτού ξεκινήσετε τη λειτουργία του ηλεκτρικού εργαλείου φοράτε πάντα προστατευτικά γυαλιά ή γυαλιά με πλευρική προστασία και εφόσον απαιτείται πλήρη προστατευτική προσωπίδα. Συστήνουμε μια προσωπίδα ασφαλείας ευρείας όρασης για χρήση πάνω από γυαλιά ή συνήθη προστατευτικά γυαλιά με πλευρική προστασία.

ΟΔΗΓΙΕΣ ΑΣΦΑΛΕΙΑΣ

Αυτή η σελίδα απεικονίζει και περιγράφει τα σύμβολα ασφαλείας που υπάρχουν ενδεχομένως σε αυτό το προϊόν. Διαβάστε, κατανοήστε και ακολουθείτε όλες τις οδηγίες στη μηχανή προτού προσπαθήσετε να διεξάγετε εργασίες συναρμολόγησης και λειτουργίας.

	Ειδοποίηση ασφαλείας	Προφυλάξεις που σχετίζονται με την ασφάλειά σας.
	Φοράτε προστατευτικά γυαλιά	Φοράτε πάντοτε προστατευτικά γυαλιά ή γυαλιά ασφαλείας με πλευρική προστασία και πλήρη προστατευτική προσωπίδα κατά τη λειτουργία αυτού του προϊόντος.
	Φοράτε προστατευτικά ακοής	Φοράτε πάντα προστασία ακοής όταν χρησιμοποιείτε αυτό το προϊόν.
	Διαβάστε το εγχειρίδιο χρήσης	Προκειμένου να μειωθεί ο κίνδυνος τραυματισμού, ο χρήστης πρέπει να διαβάσει το εγχειρίδιο χρήσης προτού χρησιμοποιήσει αυτό το προϊόν.
	Διατηρείτε μακριά του παρευρισκομένους	Διατηρείτε όλους τους παρευρισκομένους σε απόσταση τουλάχιστον 15 μ.
V	Volt	Τάση
A	Amperes	Ρεύμα
Hz	Hertz	Συχνότητα (κύκλοι ανά δευτερόλεπτο)
W	Watt	Ισχύς

GR

min	Λεπτά	Χρόνος
m ³ /h	Κυβικά μέτρα την ώρα	Όγκος αέρα
km/h	Χιλιόμετρα την ώρα	Ταχύτητα αέρα
	Εναλλασσόμενο ρεύμα	Τύπος ρεύματος
	Συνεχές ρεύμα	Τύπος ή χαρακτηριστικό του ρεύματος
n ₀	Ταχύτητα χωρίς φορτίο	Ταχύτητα περιστροφής, χωρίς φορτίο
... /min	Ανά λεπτό	Στροφές ανά λεπτό

Κατά τη χρήση ηλεκτρικών συσκευών, πρέπει να ακολουθούνται πάντα τα βασικά προληπτικά μέτρα συμπεριλαμβανομένων των ακόλουθων:

ΗΛΕΚΤΡΙΚΑ ΕΡΓΑΛΕΙΑ

⚠️ ΠΡΟΕΙΔΟΠΟΙΗΣΗ: ΜΕΛΕΤΗΣΤΕ ΟΛΕΣ ΤΙΣ ΠΡΟΕΙΔΟΠΟΙΗΣΕΙΣ ΑΣΦΑΛΕΙΑΣ, ΤΙΣ ΟΔΗΓΙΕΣ, ΤΙΣ ΕΙΚΟΝΕΣ ΚΑΙ ΤΙΣ ΠΡΟΔΙΑΓΡΑΦΕΣ ΠΟΥ ΣΥΝΟΔΕΥΟΥΝ ΑΥΤΟ ΤΟ ΗΛΕΚΤΡΙΚΟ ΕΡΓΑΛΕΙΟ. Εάν δεν τηρηθούν όλες οι οδηγίες που αναφέρονται παρακάτω, μπορεί να προκληθεί ηλεκτροπληξία, πυρκαγιά και/ή σοβαρός τραυματισμός.

ΦΥΛΑΣΣΕΤΕ ΟΛΕΣ ΤΙΣ ΠΡΟΕΙΔΟΠΟΙΗΣΕΙΣ ΚΑΙ ΤΙΣ ΟΔΗΓΙΕΣ ΓΙΑ ΜΕΛΛΟΝΤΙΚΗ ΑΝΑΦΟΡΑ

Ο όρος «ηλεκτρικό εργαλείο» στις προειδοποιήσεις αναφέρεται στο ηλεκτρικό σας εργαλείο που λειτουργεί είτε με σύνδεση στην πρίζα (με καλώδιο) είτε με μπαταρίες (χωρίς καλώδιο).

ΑΣΦΑΛΕΙΑ ΣΤΟ ΧΩΡΟ ΕΡΓΑΣΙΑΣ

- Διατηρείτε τον χώρο εργασίας καθαρό και καλά φωτισμένο. Οι ακατάστατοι χώροι ή οι χώροι με κακό φωτισμό ενισχύουν την πιθανότητα πρόκλησης ατυχημάτων.
- Μη χρησιμοποιείτε ηλεκτρικά εργαλεία σε περιβάλλον με εύφλεκτη ατμόσφαιρα, όπου υπάρχουν εύφλεκτα υγρά, αέρια ή σκόνη. Τα ηλεκτρικά εργαλεία προκαλούν σπινθηρισμούς, οι οποίοι είναι πιθανό να αναφλέξουν τη σκόνη ή τις αναθυμιάσεις.
- Κρατάτε τα παιδιά και τους παρευρισκόμενους σε μακρινή απόσταση όταν λειτουργείτε το ηλεκτρικό εργαλείο. Η απόσταση της προσοχής σας μπορεί να σας κάνει να χάσετε τον έλεγχο του ηλεκτρικού εργαλείου.

ΗΛΕΚΤΡΙΚΗ ΑΣΦΑΛΕΙΑ

- Το φως του ηλεκτρικού εργαλείου πρέπει να ταιριάζει με την πρίζα. Μη τροποποιείτε ποτέ και με κανέναν τρόπο το φως. Μη χρησιμοποιείτε κανενός είδους βύσματα ανταπτόρων με γειωμένα ηλεκτρικά εργαλεία. Τα μη τροποποιημένα φως και οι κατάλληλες πρίζες μειώνουν τον κίνδυνο ηλεκτροπληξίας.
- Αποφεύγετε την επαφή του σώματός σας με γειωμένες επιφάνειες, όπως σωλήνες, θερμαντικά σώματα, εστίες και ψυγεία. Υπάρχει αυξημένος κίνδυνος ηλεκτροπληξίας αν το σώμα σας γειωθεί.
- Μη εκθέτετε τα ηλεκτρικά εργαλεία σε βροχή ή συνθήκες υγρασίας. Αν εισχωρήσει νερό μέσα στο ηλεκτρικό εργαλείο θα αυξηθεί ο κίνδυνος ηλεκτροπληξίας.
- Μη κακομεταχειριζόμαστε το καλώδιο. Μη χρησιμοποιείτε ποτέ το καλώδιο για να μεταφέρετε, τραβήξετε ή απομακρύνετε από την πρίζα το φορτιστή. Διατηρείτε το καλώδιο μακριά από θερμότητα, λάδια, αιχμηρές γωνίες ή κινούμενα εξαρτήματα. Τα κατεστραμμένα ή μπερδεμένα καλώδια αυξάνουν τον κίνδυνο ηλεκτροπληξίας.
- Όταν χρησιμοποιείτε κάποιο ηλεκτρικό εργαλείο σε εξωτερικό χώρο, χρησιμοποιείτε επέκταση καλωδίου κατάλληλη για εξωτερικούς χώρους. Η χρήση καλωδίου που ενδείκνυται για χρήση σε εξωτερικό χώρο μειώνει τον κίνδυνο ηλεκτροπληξίας.
- Αν η χρήση του ηλεκτρικού εργαλείου σε υγρό περιβάλλον είναι αναπόφευκτη, χρησιμοποιήστε στην τροφοδοσία έναν διακόπτη κυκλώματος βλάβης γείωσης. Η χρήση του διακόπτη GFCI μειώνει τον κίνδυνο ηλεκτροπληξίας.

ΠΡΟΣΩΠΙΚΗ ΑΣΦΑΛΕΙΑ

- Να είστε σε εγρήγορση, να έχετε την προσοχή σας σε αυτό που κάνετε και να χρησιμοποιείτε κοινή λογική κατά τη χρήση ενός ηλεκτρικού εργαλείου. Μη χρησιμοποιείτε ηλεκτρικά εργαλεία όταν είστε κουρασμένοι ή κάτω από την επήρεια ναρκωτικών, αλκοόλ ή φαρμάκων. Μια στιγμή απροσεξίας κατά τη χρήση του ηλεκτρικού εργαλείου μπορεί να οδηγήσει σε σοβαρό ατομικό τραυματισμό.
- Χρησιμοποιείτε ατομικό προστατευτικό εξοπλισμό. Φοράτε πάντα προστατευτικά γυαλιά. Ο προστατευτικός εξοπλισμός, όπως μάσκα σκόνης, αντιολισθητικά παπούτσια, κράνος ή υποπροστασία που χρησιμοποιείται στις κατάλληλες περιπτώσεις μειώνει τον κίνδυνο ατομικών τραυματισμών.

GR

- Αποφεύγετε τυχαίο ξεκίνημα. Βεβαιώνετε ότι ο διακόπτης βρίσκεται στη θέση απενεργοποίησης (OFF) πριν συνδέσετε το ηλεκτρικό εργαλείο στο ρεύμα ή/και στην μπαταρία, ή όταν σηκώνετε ή μεταφέρετε το εργαλείο. Η μεταφορά ηλεκτρικών εργαλείων με το δάχτυλο στον διακόπτη ή η σύνδεσή τους στο ρεύμα με το διακόπτη στο ON, αυξάνουν την πιθανότητα πρόκλησης ατυχημάτων.
- Αφαιρείτε όλα τα κλειδιά ρύθμισης και τα μηχανικά κλειδιά πριν θέσετε σε λειτουργία το ηλεκτρικό εργαλείο. Τυχόν εργαλεία ρύθμισης ή μηχανικά κλειδιά σε κάποιο από τα κινούμενα τμήματα του ηλεκτρικού εργαλείου μπορούν να προκαλέσουν ατομικό τραυματισμό.
- Μην υπερεκτείνετε. Πατάτε πάντα σταθερά και διατηρείτε την ισορροπία σας. Έτσι θα έχετε καλύτερο έλεγχο του ηλεκτρικού εργαλείου σε απρόβλεπτες καταστάσεις.
- Ντύνεστε κατάλληλα. Μη φοράτε φαρδιά ρούχα ή κοσμήματα. Κρατάτε τα μαλλιά, τα ρούχα και τα γάντια σας μακριά από τα κινούμενα μέρη. Χαλαρά ρούχα, κοσμήματα ή μακριά μαλλιά μπορεί να εμπλακούν σε κινούμενα μέρη.
- Αν παρέχονται συσκευές για σύνδεση στο σύστημα εξαγωγής ή συλλογής της σκόνης, φροντίστε να τις συνδέσετε και να τις χρησιμοποιήσετε σωστά. Η χρήση συσκευών συλλογής σκόνης μπορεί να μειώσει τους κινδύνους που σχετίζονται με αυτή.
- Ακόμα κι εάν χρησιμοποιείτε συχνά ηλεκτρικά εργαλεία, μην εφησυχάζετε και μην παραβλέπετε τους βασικούς κανόνες ασφαλείας. Μια απρόσεκτη ενέργεια μπορεί να οδηγήσει σε σοβαρό τραυματισμό σε κλάσματα δευτερολέπτου.

ΧΡΗΣΗ ΚΑΙ ΦΡΟΝΤΙΔΑ ΤΟΥ ΕΡΓΑΛΕΙΟΥ

GR

- Μην ασκείτε υπερβολική δύναμη στο ηλεκτρικό εργαλείο. Χρησιμοποιείτε το σωστό ηλεκτρικό εργαλείο για την εργασία σας. Το σωστό ηλεκτρικό εργαλείο θα κάνει την εργασία καλύτερα και ασφαλέστερα στον ρυθμό για τον οποίο έχει σχεδιαστεί.
- Μη χρησιμοποιείτε το ηλεκτρικό εργαλείο αν ο διακόπτης δεν μπορεί να ενεργοποιηθεί και να το απενεργοποιήσει. Οποιοδήποτε ηλεκτρικό εργαλείο που δεν μπορεί να ελεγχθεί με τον διακόπτη είναι επικίνδυνο και πρέπει να επισκευαστεί.
- Αποσυνδέετε το φως από την πρίζα ή/και αφαιρείτε την μπαταρία πριν κάνετε οποιαδήποτε ρύθμιση, αλλάζετε εξαρτήματα ή αποθηκεύσετε το ηλεκτρικό εργαλείο. Αυτά τα προληπτικά μέτρα μειώνουν τον κίνδυνο τυχαίας εκκίνησης του ηλεκτρικού εργαλείου.

- Αποθηκεύετε τα αδρανή ηλεκτρικά εργαλεία μακριά από σημεία όπου έχουν πρόσβαση τα παιδιά και μην αφήνετε άτομα μη εξοικειωμένα με το ηλεκτρικό εργαλείο ή με αυτές τις οδηγίες να χρησιμοποιήσουν το εργαλείο. Τα ηλεκτρικά εργαλεία αποτελούν κίνδυνο όταν χρησιμοποιούνται από ανεκπαίδευτους χρήστες.
- Συντηρείτε σωστά τα ηλεκτρικά εργαλεία. Ελέγχετε για πιθανή κακή ευθυγράμμιση ή εμπλοκή των κινούμενων εξαρτημάτων, σπασμένα μέρη και οποιαδήποτε άλλη κατάσταση που μπορεί να επηρεάσει τη λειτουργία του ηλεκτρικού εργαλείου. Αν το ηλεκτρικό εργαλείο πάθει βλάβη, δώστε το για επίσκεψη πριν να το χρησιμοποιήσετε πάλι. Πολλά ατυχήματα προκαλούνται από κακώς συντηρημένα ηλεκτρικά εργαλεία.
- Διατηρείτε τα κοπτικά εξαρτήματα αιχμηρά και καθαρά. Τα κοπτικά εργαλεία που έχουν συντηρηθεί σωστά και διαθέτουν αιχμηρές κόψεις είναι λιγότερο πιθανόν να μπλοκάρουν, ενώ είναι ευκολότερα στο χειρισμό
- Χρησιμοποιείτε το ηλεκτρικό εργαλείο, τα εξαρτήματα, τις μύτες κλπ. σύμφωνα με αυτές τις οδηγίες, λαμβάνοντας υπόψη τις συνθήκες εργασίας και την προς εκτέλεση εργασία. Η χρήση ενός ηλεκτρικού εργαλείου για λειτουργίες διαφορετικές από αυτές για τις οποίες προορίζεται είναι πιθανόν να οδηγήσει σε επικίνδυνες καταστάσεις.
- Διατηρείτε τις λαβές και τις επιφάνειες συγκράτησης του εργαλείου στεγνές και καθαρές, χωρίς λάδια και γράσα. Εάν γλιστρούν οι λαβές και οι επιφάνειες συγκράτησης δε θα μπορέσετε να χειριστείτε με ασφάλεια το εργαλείο, ούτε θα μπορέσετε να το ελέγξετε εάν προκύψει κάποια απροσδόκητη κατάσταση.

ΧΡΗΣΗ ΚΑΙ ΦΡΟΝΤΙΔΑ ΤΟΥ ΕΡΓΑΛΕΙΟΥ

- Επαναφορτίζετε το εργαλείο μόνο με το φορτιστή που ορίζεται από τον κατασκευαστή. Κάποιος φορτιστής που είναι κατάλληλος για έναν τύπο μπαταρίας μπορεί να δημιουργήσει κίνδυνο πυρκαγιάς εάν χρησιμοποιηθεί με άλλον τύπο μπαταρίας.
- Χρησιμοποιείτε τα ηλεκτρικά εργαλεία μόνο με τις μπαταρίες που προορίζονται για αυτά. Η χρήση οποιασδήποτε άλλης μπαταρίας μπορεί να προκαλέσει κίνδυνο τραυματισμού και πυρκαγιάς.
- Όταν η μπαταρία δεν χρησιμοποιείται, φυλάσσετε τη μακριά από μεταλλικά αντικείμενα όπως συνδετήρες, νομίσματα, κλειδιά, καρφιά, βίδες ή άλλα μικρά μεταλλικά αντικείμενα, τα οποία μπορεί να δημιουργήσουν σύνδεση μεταξύ των ακροδεκτών. Το βραχυκύκλωμα των ακροδεκτών της μπαταρίας μεταξύ τους ενδέχεται να προκαλέσει έγκαυμα ή πυρκαγιά.

- Σε συνθήκες κακής χρήσης, μπορεί να εκτοξευτούν υγρά από την μπαταρία. Να αποφεύγετε την επαφή με αυτά. Σε περίπτωση που υπάρξει επαφή κατά λάθος, ξεπλύνετε με νερό. Αν το υγρό έρθει σε επαφή με τα μάτια, αναζητήστε επιπλέον ιατρική βοήθεια. Τα υγρά, τα οποία εκκινάσσονται από την μπαταρία ενδέχεται να προκαλέσουν ερεθισμό ή εγκαύματα.
- Μη χρησιμοποιείτε τη συστοιχία μπαταριών ή το εργαλείο εάν έχουν υποστεί ζημιά ή έχουν τροποποιηθεί. Οι συστοιχίες μπαταριών που έχουν υποστεί ζημιά ή έχουν τροποποιηθεί μπορεί να έχουν απρόβλεπτη συμπεριφορά και να προκληθεί πυρκαγιά, έκρηξη ή τραυματισμός.
- Η συστοιχία μπαταριών και το εργαλείο δεν πρέπει να εκτίθενται σε φωτιά ή υπερβολικά υψηλή θερμοκρασία. Η έκθεση σε φωτιά ή θερμοκρασία πάνω από 130 °C μπορεί να προκαλέσει έκρηξη.
- Τηρείτε όλες τις οδηγίες σχετικά με τη φόρτιση και μη φορτίζετε τη συστοιχία μπαταριών ή το εργαλείο εκτός του εύρους θερμοκρασίας που αναφέρεται στις οδηγίες. Εάν η φόρτιση δε γίνει σωστά ή πραγματοποιηθεί σε θερμοκρασία εκτός του καθορισμένου εύρους, η συστοιχία μπαταριών μπορεί να υποστεί ζημιά και να αυξηθεί ο κίνδυνος πυρκαγιάς.

ΣΕΡΒΙΣ

- Το ηλεκτρικό εργαλείο πρέπει να επισκευάζεται μόνο από πιστοποιημένο επαγγελματία, χρησιμοποιώντας μόνο πανομοιότυπα ανταλλακτικά. Έτσι διασφαλίζεται η ασφαλής λειτουργία του ηλεκτρικού εργαλείου.
- Μην επιχειρήσετε να επισκευάσετε συστοιχία μπαταριών που έχει υποστεί ζημιά. Η συστοιχία μπαταριών πρέπει να επισκευάζεται μόνο από τον κατασκευαστή ή από εξουσιοδοτημένα κέντρα σέρβις.

ΔΙΑΒΑΣΤΕ ΟΛΕΣ ΤΙΣ ΟΔΗΓΙΕΣ ΠΡΟΤΟΥ ΝΑ ΧΡΗΣΙΜΟΠΟΙΗΣΕΤΕ ΑΥΤΟ ΤΟ ΠΡΟΪΟΝ!

ΕΚΠΑΙΔΕΥΣΗ

- Ποτέ μην επιτρέπετε σε παιδιά, άτομα με μειωμένες φυσικές, αισθητηριακές ή νοητικές δυνατότητες ή με έλλειψη εμπειρίας και γνώσεων ή σε άτομα μη εξοικειωμένα με αυτές τις οδηγίες, να χρησιμοποιήσουν το μηχάνημα.
- Ο χρήστης είναι αποκλειστικά υπεύθυνος για τυχόν ατυχήματα ή κινδύνους που θα προκύψουν για άλλα άτομα ή την περιουσία τους.

ΠΡΟΕΤΟΙΜΑΣΙΑ

- Αυτό το ηλεκτρικό εργαλείο μπορεί να χρησιμοποιηθεί υπό βροχή ή υγρές συνθήκες. Σκουπίστε το ηλεκτρικό εργαλείο αφού τελειώσετε την εργασία.
- Πριν από τη χρήση, ελέγχετε τις μπαταρίες ή τις συστοιχίες μπαταριών για ζημιές. Μη χρησιμοποιείτε τη συσκευή εάν οι μπαταρίες ή η συστοιχία μπαταριών έχουν φθορές.

ΛΕΙΤΟΥΡΓΙΑ

- Αυτό το ηλεκτρικό εργαλείο μπορεί να χρησιμοποιηθεί υπό βροχή ή υγρές συνθήκες. Σκουπίστε το ηλεκτρικό εργαλείο αφού τελειώσετε την εργασία.
- Αποσυνδέστε τις μπαταρίες ή τις συστοιχίες μπαταριών:
 1. Όταν απομακρύνετε από το μηχάνημα.
 2. Προτού αποκαταστήσετε ένα μπλοκάρισμα.
 3. Πριν από έλεγχο, καθαρισμό ή άλλη εργασία στη συσκευή.
 4. Εάν η συσκευή αρχίσει να δονείται μη φυσιολογικά.
- Εξασφαλίζετε τη σταθερή σας στάση σε κεκλιμένο έδαφος.
- Πάντα να περπατάτε, ποτέ μην τρέχετε.
- Διατηρείτε όλα τα ανοίγματα ψύξης απαλλαγμένα από ρύπους.
- Σύσταση για χρήση του μηχανήματος σε λογικές ώρες, όχι νωρίς ή αργά το βράδυ, ώστε να μην ενοχλήσετε τους άλλους.
- Συνιστάται η ελαφριά ύγρανση των επιφανειών σε σκονισμένες συνθήκες ή η χρήση προσαρτήματος ψεκαστήρα νερού.

⚠ ΠΡΟΕΙΔΟΠΟΙΗΣΗ: Κίνδυνος περιστρεφόμενων τμημάτων!

- Χρησιμοποιείτε την πλήρη επιμύκνωση του ακροφυσίου φυσστήρα, έτσι ώστε η ροή του αέρα να γίνεται κοντά στο έδαφος.
- Μη χειρίζεστε το μηχάνημα κοντά σε ανοιχτά παράθυρα, κ.λπ.

ΣΥΝΤΗΡΗΣΗ ΚΑΙ ΑΠΟΘΗΚΕΥΣΗ

- Διατηρείτε όλα τα παξιμάδια, τα περικόχλια και τις βίδες καλά συσφιγμένα, έτσι ώστε να εξασφαλιστεί η ασφαλής λειτουργία της συσκευής.

- Αντικαθιστάτε τα φθαρμένα ή κατεστραμμένα εξαρτήματα.
- Χρησιμοποιείτε μόνο γνήσια ανταλλακτικά και εξαρτήματα
- Αποθηκεύετε τη συσκευή σε ξηρό μέρος.

⚠ ΠΡΟΕΙΔΟΠΟΙΗΣΗ: Για να μειώσετε τον κίνδυνο πυρκαγιάς ή ηλεκτροπληξίας:

ΣΗΜΑΝΤΙΚΟ

ΔΙΑΒΑΣΤΕ ΠΡΟΣΕΚΤΙΚΑ ΠΡΙΝ ΑΠΟ ΤΗ ΧΡΗΣΗ.

ΦΥΛΑΞΤΕ ΓΙΑ ΜΕΛΛΟΝΤΙΚΗ ΧΡΗΣΗ.

- Ο φυσητήρας δεν επιτρέπεται να χρησιμοποιηθεί σαν παιχνίδι. Απαιτείται εξαιρετική προσοχή κατά τη χρήση από ή κοντά σε παιδιά.
- Εάν ο φυσητήρας δε λειτουργεί όπως θα έπρεπε, εάν έχει πέσει κάτω, εάν έχει υποστεί ζημιά ή έχει πέσει στο νερό, επιστρέψτε τον σε ένα κέντρο σέρβις.
- Μην τοποθετείτε αντικείμενα μέσα στα ανοίγματα. Να μη χρησιμοποιείται με μπλοκαρισμένα ανοίγματα. Διατηρείτε τα ανοίγματα χωρίς σκόνη, χνούδια, τρίχες και οτιδήποτε άλλο μπορεί να μειώσει τη ροή αέρα.
- Προσέχετε ιδιαίτερα όταν καθαρίζετε σκαλοπάτια.
- Μην αφήνετε το φυσητήρα χωρίς επίβλεψη όταν είναι συνδεδεμένο το βύσμα της μπαταρίας. Αφαιρείτε την μπαταρία όταν δε χρησιμοποιείτε το φυσητήρα και προτού να πραγματοποιήσετε οποιαδήποτε επισκευή.
- Μην αγγίζετε το φορτιστή, το βύσμα του φορτιστή και τους ακροδέκτες του φορτιστή με βρεγμένα χέρια.
- Μη φορτίζετε τη συστοιχία μπαταριών σε εξωτερικό χώρο.

⚠ ΠΡΟΕΙΔΟΠΟΙΗΣΗ:


- Αφαιρέστε την μπαταρία πριν από τη διάθεση της συσκευής.
- Η συστοιχία μπαταριών πρέπει να απορρίπτεται με ασφάλεια.
- **ΜΗΝ** επιχειρήσετε να καθαρίσετε μπλοκαρισμένα στη μονάδα χωρίς να έχετε πρώτα απομακρύνει τη μπαταρία.
- Διατηρείτε το φυσητήρα και τη λαβή στεγνά, καθαρά και απομακρύνετε από αυτά τυχόν λάδια και γράσο. Χρησιμοποιείτε πάντα ένα καθαρό πανί κατά τον καθαρισμό. Ποτέ μη χρησιμοποιείτε υγρά

φρένων, βενζίνη, προϊόντα με βάση το πετρέλαιο ή οποιαδήποτε ισχυρά διαλυτικά για τον καθαρισμό του φυσητήρα σας. Τηρώντας αυτό τον κανόνα μειώνεται ο κίνδυνος απώλειας ελέγχου και φθοράς του πλαστικού περιβλήματος.

- **Οι μπαταρίες μπορεί να εκραγούν παρουσία πηγής ανάφλεξης, όπως φλόγιστρου.** Για να μειωθεί ο κίνδυνος σοβαρού τραυματισμού, μη χρησιμοποιείτε ποτέ ασύρματα προϊόντα όταν υπάρχουν ανοικτές φλόγες. Από την έκρηξη μιας μπαταρίας μπορεί να εκσφενδονιστούν μικρά τεμάχια και χημικές ουσίες. Εάν εκτεθείτε σε αυτά, ξεπλύνετε αμέσως με νερό.
- **Ποτέ μη χειρίζεστε τη μονάδα χωρίς να έχετε προσαρτήσει το σωστό εξοπλισμό.** Βεβαιώσετε πάντα ότι ο σωλήνας φυσητήρα είναι εγκατεστημένος.
- **Ποτέ μη χρησιμοποιείτε το φυσητήρα κοντά σε φωτιά ή καυτές στάχτες.** Η χρήση κοντά σε φωτιά ή στάχτες μπορεί να προκαλέσει εξάπλωση της φωτιάς και να επιφέρει σοβαρό τραυματισμό και/ή υλική ζημιά.
- **Ποτέ μη χρησιμοποιείτε το φυσητήρα για την διασπορά χημικών ουσιών, λιπασμάτων ή άλλων τοξικών ουσιών.** Η διασπορά αυτών των ουσιών μπορεί να επιφέρει σοβαρό τραυματισμό στο χειριστή ή σε παρευρισκόμενους.
- **Φυλάξτε αυτές τις οδηγίες.** Ανατρέχετε σε αυτές συχνά και χρησιμοποιείτε τις για να εκπαιδευτείτε άλλους που μπορεί να χρησιμοποιήσουν το εργαλείο. Εάν δανείσετε αυτό το εργαλείο σε κάποιον άλλο, δανείστε και αυτές τις οδηγίες, ώστε να αποτρέψετε την εσφαλμένη χρήση του προϊόντος και τον ενδεχόμενο τραυματισμό.

ΦΥΛΑΞΤΕ ΑΥΤΕΣ ΤΙΣ ΟΔΗΓΙΕΣ!

ΠΡΟΔΙΑΓΡΑΦΕΣ

Τάση	56V 
Όγκος αέρα	986 m ³ /h
Προτεινόμενη θερμοκρασία λειτουργίας	-15°C-40°C
Προτεινόμενη θερμοκρασία αποθήκευσης	-20°C-70°C
Μέγιστη ταχύτητα αέρα	65m/s (χωρίς στρογγυλό ακροφύσιο)
	75m/s (Με στρογγυλό ακροφύσιο)

GR

Χρόνος λειτουργίας κατά μέσο όρο (με μπαταρία EGO 5.0Ah)	18 λεπτά (λειτουργία ενίσχυσης)
	30 λεπτά (Υψηλή ταχύτητα)
	200 λεπτά (Χαμηλή ταχύτητα)
Μέγιστη ισχύς φουσίματος	18N
Βάρος φουσιήτρα (χωρίς τη συστοιχία μπαταριών)	2,18 kg
Μετρημένο επίπεδο ισχύος ήχου L_{WA}	94,73 dB(A) K=2,83 dB(A)
Στάθμη ηχητικής πίεσης στη θέση χειριστή L_{PA}	78,4 dB(A) K=2,5 dB(A)
Εγγυημένο επίπεδο ισχύος ήχου L_{WA} (σύμφωνα με 2000/14/EC)	98 dB(A)
Δονήσεις a_h	0,505 m/s^2 K=1,5 m/s^2

- Η αναφερόμενη συνολική τιμή κραδασμών έχει μετρηθεί σύμφωνα με την πρότυπη μέθοδο ελέγχου και μπορεί να χρησιμοποιηθεί για τη σύγκριση ενός εργαλείου με κάποιο άλλο.
- Η αναφερόμενη συνολική τιμή κραδασμών μπορεί να χρησιμοποιηθεί επίσης για την προκαταρκτική αξιολόγηση της έκθεσης.

ΣΗΜΕΙΩΣΗ: Οι εκπομπές κραδασμών κατά τη διάρκεια της πραγματικής χρήσης του ηλεκτρικού εργαλείου μπορεί να διαφέρουν από τη δηλωμένη τιμή στην οποία χρησιμοποιείται το εργαλείο. Για την προστασία του χειριστή, πρέπει να χρησιμοποιούνται γάντια και προστασία της ακοής στις πραγματικές συνθήκες χρήσης.

ΚΑΤΑΛΟΓΟΣ ΕΞΑΡΤΗΜΑΤΩΝ ΣΥΣΚΕΥΑΣΙΑΣ

ΟΝΟΜΑ ΕΞΑΡΤΗΜΑΤΟΣ	ΠΟΣΟΤΗΤΑ
Φουσιήτρας	1
Σωλήνας φουσιήτρα	1
Προσάρτημα ακροφυσίου	2
Εγχειρίδιο χρήσης	1

ΠΕΡΙΓΡΑΦΗ

ΓΝΩΡΙΣΤΕ ΤΟ ΦΥΣΗΤΗΡΑ ΣΑΣ (Εικ. Α)

1. Επίπεδο ακροφύσιο
2. Στρογγυλό ακροφύσιο

3. Σωλήνας φουσιήτρα
4. Κουμπί απελευθέρωσης σωλήνα
5. Βάση
6. Είσοδος αέρα
7. Εξαγωγή μπαταρίας
8. Ηλεκτρικές επαφές
9. Μάνταλο
10. Κουμπί απελευθέρωσης μπαταρίας
11. Σκανδάλη ταχύτητας αέρα
12. Κουμπί ενίσχυσης
13. Δείκτης ταχύτητας/ασφάλισης

⚠️ ΠΡΟΕΙΔΟΠΟΙΗΣΗ: Η ασφαλής χρήση του προϊόντος απαιτεί την πλήρη κατανόηση των πληροφοριών που υπάρχουν επάνω στο μηχανήμα, όπως και μέσα στο εγχειρίδιο οδηγιών, όπως και τη γνώση της εργασίας που θα πραγματοποιήσετε να εκτελέσετε. Πριν από τη χρήση του προϊόντος, εξοικειωθείτε με όλα τα χαρακτηριστικά λειτουργίας, όπως και τους κανόνες ασφαλείας.

ΣΥΝΑΡΜΟΛΟΓΗΣΗ

⚠️ ΠΡΟΕΙΔΟΠΟΙΗΣΗ: Σε περίπτωση που κάποια από τα εξαρτήματα έχουν υποστεί ζημιά ή λείπουν, μη χρησιμοποιήσετε το μηχανήμα, μέχρι να αντικατασταθούν. Η χρήση αυτού του προϊόντος με φθαρμένα ή ελλιπή εξαρτήματα μπορεί να έχει σαν αποτέλεσμα σοβαρό ατομικό τραυματισμό.

⚠️ ΠΡΟΕΙΔΟΠΟΙΗΣΗ: Μην επιχειρήσετε να τροποποιήσετε αυτό το εργαλείο ή να χρησιμοποιήσετε εξαρτήματα που δεν συστήνονται για χρήση με αυτό το φουσιήτρα. Οποιαδήποτε τέτοια μετατροπή ή τροποποίηση μπορεί να προκαλέσει επικίνδυνες συνθήκες με επακόλουθο σοβαρό τραυματισμό.

⚠️ ΠΡΟΕΙΔΟΠΟΙΗΣΗ: Για να εμποδίσετε τυχαία εκκίνηση που θα μπορούσε να προκαλέσει σοβαρό ατομικό τραυματισμό, πάντα απομακρύνετε τη συστοιχία μπαταρίας από το εργαλείο όταν συναρμολογείτε εξαρτήματα.

ΕΦΑΡΜΟΓΗ

Μπορείτε να χρησιμοποιήσετε αυτό το προϊόν για τους κατωτέρω αναφερόμενους σκοπούς:

- Καθαρισμός σκληρών επιφανειών όπως δρομάκια και μονοπάτια.
- Απομάκρυνση φύλλων και πευκοβελόνων από δάπεδα και δρομάκια.

ΣΗΜΕΙΩΣΗ: Το εργαλείο πρέπει να χρησιμοποιείται αποκλειστικά για τη σκοπούμενη χρήση. Οποιαδήποτε άλλη χρήση θα χαρακτηριστεί ως περίπτωση κακής χρήσης.

ΣΥΝΑΡΜΟΛΟΓΗΣΗ/ΑΠΟΜΑΚΡΥΝΣΗ ΤΟΥ ΣΩΛΗΝΑ ΦΥΣΗΤΗΡΑ

■ **Για τη συναρμολόγηση (Εικ. Β & C)**

Ευθυγραμμίστε την εγκοπή και ωθήστε το σωλήνα επάνω στο περίβλημα φυσητήρα, έως ότου ακούσετε ένα «κλικ».

■ **Για την απομάκρυνση (Εικ. D)**

Πιέστε το κουμπί αποδέσμευσης σωλήνα και τραβήξτε έξω το σωλήνα.

ΣΥΝΑΡΜΟΛΟΓΗΣΗ/ΑΠΟΜΑΚΡΥΝΣΗ ΤΟΥ ΣΤΡΟΓΓΥΛΟΥ/ΕΠΙΠΕΔΟΥ ΑΚΡΟΦΥΣΙΟΥ ΦΥΣΗΤΗΡΑ

■ **Για τη συναρμολόγηση (Εικ. E & F)**

Ευθυγραμμίστε την εγκοπή στο ακροφύσιο εξάπλωσης με το κουμπί σωλήνα και ωθήστε το ακροφύσιο επάνω στο σωλήνα, έως ότου κομψώσει στη θέση του.

■ **Για την απομάκρυνση (Εικ. G)**

Πατήστε και κρατήστε το κουμπί αποδέσμευσης ακροφυσίου για την απεμπλοκή του μάνταλου, κατόπιν τραβήξτε το ακροφύσιο ίσια από τον φυσητήρα.

ΣΗΜΕΙΩΣΗ: Τηρείτε την ίδια αλληλουχία για τη συναρμολόγηση ή απομάκρυνση του επίπεδου ακροφυσίου.

ΤΟΠΟΘΕΤΗΣΗ/ΑΠΟΜΑΚΡΥΝΣΗ ΤΗΣ ΣΥΣΤΟΙΧΙΑΣ ΜΠΑΤΑΡΙΩΝ

Φορτίστε πλήρως πριν από την πρώτη χρήση.

GR

Να χρησιμοποιείται μόνο με τις συστοιχίες μπαταριών και τους φορτιστές που αναφέρονται στην εικ. Α.

■ **Για την εγκατάσταση (Εικ. H)**

Ευθυγραμμίστε τις νευρώσεις μπαταρίας με τις οπές τοποθέτησης και πιέστε τη συστοιχία μπαταριών, έως ότου ακούσετε ένα «κλικ».

■ **Για την απομάκρυνση (Εικ. I)**

Πιέστε το κουμπί αποδέσμευσης μπαταρίας και βγάλτε έξω τη συστοιχία μπαταριών.

⚠️ ΠΡΟΕΙΔΟΠΟΙΗΣΗ: Να προσέχετε πάντα την τοποθεσία των ποδιών σας, παιδιών ή κατοικιδίων όταν πιέζετε το κουμπί αποδέσμευσης μπαταρίας. Μπορεί να συμβεί σοβαρός τραυματισμός εάν πέσει κάτω η συστοιχία μπαταριών. ΠΟΤΕ μην απομακρύνετε τη συστοιχία μπαταριών σε υψηλότερο σημείο.

Εικ. Η Περιγραφή εξαρτημάτων, δείτε παρακάτω:

H-1	Κουμπί απελευθέρωσης της μπαταρίας	H-3	Υποδοχή τοποθέτησης
H-2	Νεύρωση μπαταρίας		

ΕΚΚΙΝΗΣΗ/ΣΤΑΜΑΤΗΜΑ ΤΟΥ ΦΥΣΗΤΗΡΑ (Εικ. J)

■ **Σκανδάλη μόνο ταχύτητας αέρα**

1. Πιέστε τη σκανδάλη ταχύτητας αέρα για να ενεργοποιήσετε το φυσητήρα.
2. Η ταχύτητα αέρα του φυσητήρα ελέγχεται με τη σκανδάλη μεταβλητής ταχύτητας. Περισσότερη πίεση στη σκανδάλη επιφέρει υψηλότερες ταχύτητες φυσήματος. Μικρότερη πίεση στη σκανδάλη επιφέρει χαμηλότερες ταχύτητες φυσήματος. Προσαρμόζετε την ταχύτητα σύμφωνα με την εκάστοτε εργασία.
3. Αποδεσμεύστε τη σκανδάλη ταχύτητας αέρα για να απενεργοποιήσετε το φυσητήρα.

■ **Δείκτης μόνο ταχύτητας/ασφάλισης**

Ο φυσητήρας ενεργοποιείται και ασφαλίζεται σε οποιαδήποτε ταχύτητα με τον δείκτη ταχύτητας/ασφάλισης.

1. Γυρίστε δεξιόστροφα τον δείκτη ταχύτητας/ασφάλισης για να εκκινήσετε το φυσητήρα. Η ταχύτητα αέρα αυξάνεται καθώς ο δείκτης περιστρέφεται δεξιόστροφα.
2. Για να μειώσετε την ταχύτητα αέρα, γυρίστε αριστερόστροφα τον δείκτη ταχύτητας/ασφάλισης.
3. Συνεχίστε την αριστερόστροφη περιστροφή του δείκτη ταχύτητας/ασφάλισης στη θέση off για να σταματήσετε τον φυσητήρα.

ΣΗΜΕΙΩΣΗ: Εάν ο δείκτης ταχύτητας/ασφάλισης δεν γυρίσει πίσω στη θέση off πριν την ενεργοποίηση του φυσητήρα, ο φυσητήρας δεν θα εκκινήσει μέσω του δείκτη ταχύτητας/ασφάλισης όταν εγκατασταθεί μια φορτισμένη μπαταρία. Αυτό είναι ένα χαρακτηριστικό προστασίας ώστε να εμποδίζεται τυχαία εκκίνηση. Πίεση της σκανδάλης ταχύτητας αέρα μπορεί να απενεργοποιήσει την προστασία.

Πιέστε το κουμπί ενίσχυσης ενώ εργάζεστε ώστε να αυξήσετε προσωρινά την ταχύτητα αέρα στο μέγιστο επίπεδο. Ο φυσητήρας θα συνεχίσει με την προηγούμενη ταχύτητα όταν αποδεσμευτεί το κουμπί ενίσχυσης.

Εικ. J Περιγραφή εξαρτημάτων, δείτε παρακάτω:

J-1	Δείκτης ταχύτητας/ασφάλισης	J-3	Σκανδάλη ταχύτητας αέρα
J-2	Κουμπί ενίσχυσης		

Υποδείξεις για τη χρήση του φυσητήρα

- Για να μην διασκορπιστούν υπολείμματα, φυσάτε γύρω από τις εξωτερικές άκρες μιας στοίβας υπολειμμάτων. Ποτέ μη φυσάτε απευθείας στο κέντρο μιας στοίβας.
- Για μείωση της στάθμης θορύβου, περιορίστε τον αριθμό τεμαχίων εξοπλισμού που χρησιμοποιείται κάθε φορά.
- Χρησιμοποιείτε τσουγκράνες ή σκούπες για να αφρατέψετε τους ρύπους πριν το φύσημα. Σε συνθήκες με σκόνη βρέξτε ελαφρά τις επιφάνειες εάν υπάρχει διαθέσιμο νερό.
- Προσέχετε για παιδιά, κατοικίδια, ανοιχτά παράθυρα ή φρεσκοπλυμένα αυτοκίνητα και φυσάτε τα υπολείμματα με ασφάλεια μακριά.
- Μετά τη χρήση φυσητήρων ή άλλων εξοπλισμών, καθαρίζετε! Απορρίπτετε με σωστό τρόπο τα υπολείμματα.
- Δεν συστήνεται να χρησιμοποιείτε το φυσητήρα σε υψηλή ταχύτητα για μεγάλο χρονικό διάστημα καθώς οι αυξημένες δονήσεις και ο θόρυβος μπορεί να είναι επιβλαβή για την υγεία σας.

Προστασία του περιβάλλοντος



Μην απορρίπτετε τους ηλεκτρικούς εξοπλισμούς, το φορτιστή μπαταρίας και τις μπαταρίες/επαναφορτιζόμενες μπαταρίες στα οικιακά απορρίμματα!

Σύμφωνα με τον Ευρωπαϊκό νόμο 2012/19/ΕΕ, οι ηλεκτρικοί και οι ηλεκτρονικοί εξοπλισμοί που δεν χρησιμοποιούνται πλέον και σύμφωνα με τον Ευρωπαϊκό νόμο 2006/66/ΕΚ, οι ελαττωματικές ή χρησιμοποιημένες συστοιχίες μπαταριών/ μπαταρίες πρέπει να συλλέγονται ξεχωριστά και να απορρίπτονται με περιβαλλοντικά σωστό τρόπο.

Εάν οι ηλεκτρικές συσκευές απορριφθούν στο ύπαιθρο ή σε χωματερές, τότε είναι πιθανό να διαρρεύσουν επικίνδυνες ουσίες στα υπόγεια ύδατα, με αποτέλεσμα να περάσουν στην τροφική αλυσίδα, προκαλώντας ζημιές στην υγεία και την φυσική σας κατάσταση.

ΣΥΝΤΗΡΗΣΗ

⚠ ΠΡΟΕΙΔΟΠΟΙΗΣΗ: Όταν κάνετε συντήρηση του εργαλείου, χρησιμοποιείτε μόνο ίδια ανταλλακτικά. Η χρήση οποιωνδήποτε άλλων εξαρτημάτων μπορεί να προκαλέσει κίνδυνο ή υλικές ζημιές. Για να διασφαλίσετε την ασφάλεια και την αξιοπιστία, όλες οι επισκευές πρέπει να διεξάγονται από εξειδικευμένο τεχνικό του σέρβις.

⚠ ΠΡΟΕΙΔΟΠΟΙΗΣΗ: Για την αποφυγή σοβαρού ατομικού τραυματισμού, αφαιρείτε πάντοτε τη συστοιχία μπαταριών από το προϊόν πριν από τον καθαρισμό του ή πριν από οποιαδήποτε συντήρηση.

ΓΕΝΙΚΗ ΣΥΝΤΗΡΗΣΗ

Αποφύγετε τη χρήση διαλυτών κατά τον καθαρισμό των πλαστικών εξαρτημάτων. Τα περισσότερα πλαστικά είναι ευπαθή στη χρήση διαφόρων τύπων διαλυτών του εμπορίου και καταστρέφονται από τη χρήση τους. Χρησιμοποιείτε καθαρό πανί για την απομάκρυνση βρωμιάς, σκόνης, λαδιού, γράσου κτλ.

ΠΡΟΕΙΔΟΠΟΙΗΣΗ: Μην αφήσετε σε καμιά στιγμή να έρθουν σε επαφή τα πλαστικά εξαρτήματα με υγρά φρένων, βενζίνη, πετρελαικά προϊόντα, διεισδυτικά λάδια κλπ. Τα χημικά μπορούν να φθείρουν, να λεπτύνουν ή να καταστρέψουν τα πλαστικά εξαρτήματα με κίνδυνο σοβαρού τραυματισμού.

ΑΠΟΘΗΚΕΥΣΗ

- Απομακρύνετε τη συστοιχία μπαταριών από το φυσητήρα.
- Καθαρίζετε όλα τα ξένα υλικά από τις εισόδους αέρα του φυσητήρα.
- Αποθηκεύστε σε εσωτερικό χώρο όπου δεν πλησιάζουν παιδιά. Κρατάτε το μακριά από διαβρωτικά προϊόντα, όπως χημικά και αποπαγωτικά άλατα κήπου.

ΑΝΤΙΜΕΤΩΠΙΣΗ ΠΡΟΒΛΗΜΑΤΩΝ

ΠΡΟΒΛΗΜΑ	ΑΙΤΙΑ	ΕΠΙΛΥΣΗ
Ο φουσητήρας δεν λειτουργεί..	<ul style="list-style-type: none"> ■ Η συστοιχία μπαταριών δεν έχει προσαρτηθεί στο φουσητήρα. ■ Δεν υπάρχει ηλεκτρική επαφή μεταξύ του φουσητήρα και της μπαταρίας ■ Η συστοιχία μπαταριών έχει εξαντληθεί. ■ Η συστοιχία μπαταριών ή ο φουσητήρας είναι πολύ καυτά. ■ Ο δείκτης ταχύτητας/ασφάλισης δεν επανήλθε στη θέση off πριν την ενεργοποίηση του φουσητήρα. 	<ul style="list-style-type: none"> ■ Τοποθετήστε τη συστοιχία μπαταριών στο φουσητήρα. ■ Απομακρύνετε τη μπαταρία, ελέγξτε τις επαφές και επανεγκαταστήστε τη συστοιχία μπαταριών. ■ Φορτίστε τη συστοιχία μπαταριών. ■ Επιτρέψτε η συστοιχία μπαταριών και ο φουσητήρας να κρυώσουν, έως ότου η θερμοκρασία πέσει κάτω από τους 67°C. Πιέστε τη σκανδάλη ταχύτητας αέρα για να απενεργοποιήσετε την προστασία και να εκκινήσετε το φουσητήρα ή περιστρέψτε πρώτα τον δείκτη ταχύτητας/ασφάλισης στη θέση off.
Η ταχύτητα αέρα μειώνεται σημαντικά.	<ul style="list-style-type: none"> ■ Υπερβολική φθορά του ανεμιστήρα μοτέρ. ■ Η είσοδος αέρα έχει μπλοκαριστεί από υπολείμματα. 	<ul style="list-style-type: none"> ■ Επικοινωνήστε με το κέντρο σέρβις της EGO για επισκευή. ■ Απομακρύνετε τη συστοιχία μπαταριών, καθαρίστε τα υπολείμματα.

ΕΓΓΥΗΣΗ

ΠΟΛΙΤΙΚΗ ΕΓΓΥΗΣΗΣ EGO

Επισκεφθείτε την ιστοσελίδα egopowerplus.com για όλους τους όρους και τις προϋποθέσεις της πολιτικής εγγύησης EGO.

TÜM TALIMATLARI OKUYUN!



KULLANIM KILAVUZUNU OKUYUN

UYARI: Bu talimatlara alternatif bir formatta da - örn. web sitesi üzerinden - ulaşılabilir.

⚠️ Artık risk! Kalp pili gibi elektronik cihaz kullanan kişiler bu ürünü kullanmadan önce hekimlerine danışmalıdır. Elektrikli cihazların, kalp pili yakınında çalıştırılması kalp pilinde parazite veya arızaya neden olabilir.

⚠️ UYARI: Güvenliği ve güvenilirliği sağlamak için, tüm onarım işlemleri yetkili bir servis teknisyeni tarafından gerçekleştirilmelidir.

GÜVENLİK SEMBOLLERİ

Güvenlik sembollerinin amacı olası tehlikelere dikkatinizi çekmektir. Güvenlik sembolleri ve yanlarındaki açıklamalar özel dikkat ve anlayış göstermenizi gerektirir. Uyarı sembolleri kendi başlarına herhangi bir tehlikeyi göstermez. Sundukları talimat ve uyarıları uygun kaza önleme önlemlerinin yerine geçmez.

⚠️ UYARI: Bu aleti kullanmadan önce, “TEHLİKE”, “UYARI” ve “DİKKAT” gibi tüm güvenlik uyarı ve sembollerini içeren bu Kullanım Kılavuzu içerisindeki tüm güvenlik talimatlarını okuyup anladığınızdan emin olun. Aşağıdaki talimatların tamamına uyulmaması elektrik çarpması, yangın ve/veya ciddi kişisel yaralanma ile sonuçlanabilir.

HASAR ÖNLEME VE BİLGİ MESAJLARI

Bu mesajlar kullanıcıyı önemli bilgiler ve/veya izlenmediği takdirde cihazda veya diğer eşyalarda hasara yol açabilecek talimatlar hakkında bilgilendirir. Aşağıdaki örnekte olduğu gibi, her mesajın başında “UYARI” sözcüğü bulunur.

UYARI: Bu talimatlara uyulmaması cihazda ve/veya diğer eşyalarda hasara yol açabilir.



⚠️ UYARI: Herhangi bir elektrikli aletin kullanımı yabancı nesnelerin gözlerinize fırlatılması sonucunu doğurabilir, bu da gözlerde ciddi hasara yol açabilir. Elektrikli aleti kullanmaya başlamadan önce, daima göz koruması veya yan siperleri olan koruyucu gözlük takın ve gerektiğinde tam yüz siperi kullanın. Gözlük üzerine kullanım için Geniş Görüşlü Koruyucu Maske ya da yan siperleri olan standart koruyucu gözlükleri tavsiye ederiz.

GÜVENLİK TALIMATLARI

Bu sayfada, bu ürün üzerinde görülebilecek güvenlik sembolleri gösterilmekte ve açıklanmaktadır. Makineyi monte etmeye ve kullanmaya başlamadan önce, makineye ilişkin tüm talimatları okuyup anlayın ve bu talimatlara uyun.

	Güvenlik Uyarısı	Güvenliğinizle ilgili önlemler.
	Koruyucu Gözlük Takın	Bu ürünü çalıştırırken daima göz koruması, yan siperleri olan koruyucu gözlük ya da tam yüz maskesi kullanın.
	Kulak Koruması Takın	Bu ürünü kullanırken daima kulak koruması kullanın.
	Kullanma Kılavuzunu Okuyun	Yaralanma riskini azaltmak için, kullanıcı bu ürünü kullanmadan önce kullanım kılavuzunu okumalıdır.
	Üçüncü Şahısları Uzak Tutun	Üçüncü şahısları en az 15 metre uzakta tutun.
V	Volt	Voltaaj
A	Amper	Akım
Hz	Hertz	Frekans (saniyedeki dönüş sayısı)
W	Watt	Güç
min	Dakika	Zaman
m ³ /h	Saat Başına Metre Küp	Hava hacmi
km/h	Saat Başına Kilometre	Hava hızı
	Alternatif Akım	Akım türü
	Doğru Akım	Akım türü ve özelliği
n ₀	Yüksüz Hız	Yüksüz dönüş hızı
... /min	Dakika Başına	Dakika başına dönüş

Elektrikli cihazları kullanırken aşağıdakiler de dahil olmak üzere temel önlem ve ikazlara mutlaka uyulmalıdır:

TR

ELEKTRİKLİ ALETLER İÇİN GENEL GÜVENLİK UYARILARI

⚠ UYARI: BU ELEKTRİKLİ ALET İLE BİRLİKTE VERİLEN TÜM GÜVENLİK UYARILARINI, TALİMATLARI, ÇİZİMLERİ VE TEKNİK ÖZELLİKLERİ OKUYUN. Aşağıdaki talimatların tamamına uyulmaması elektrik çarpması, yangın ve/veya ciddi yaralanma ile sonuçlanabilir.

TÜM UYARI VE TALİMATLARI GELECEKTE BAŞVURU AMACIYLA MUHAFAZA EDİN.

Uyarılarda geçen „elektrikli alet“ terimi ile elektrik prizinden beslenen (kablolu) elektrikli alet veya şarjlı (kablesiz) elektrikli alet kastedilmektedir.

ÇALIŞMA ALANI GÜVENLİĞİ

- Çalışma alanını temiz tutun ve yeterli aydınlatma sağlayın. Karışık veya karanlık alanlar kazalara yol açar.
- Elektrikli aletleri yanıcı sıvı, gaz veya toz vb. içeren patlayıcı ortamlarda çalıştırmayın. Elektrikli aletten çıkan kıvılcıklar toz veya gazları tutuşturabilir.
- Çalışırken çocukları veya üçüncü şahısları elektrikli aletten uzak tutun. Dikkatinizin dağılması kontrolü kaybetmenize neden olabilir.

ELEKTRİK GÜVENLİĞİ

- Elektrikli aletin fişi prize uygun olmalıdır. Fiş üzerinde asla değişiklik yapmayın. Topraklanmış elektrikli aletlerle birlikte adaptör fişlerini kullanmayın. Üzerinde değişiklik yapılmamış fişler ve uygun prizler elektrik çarpmaya tehlikesini azaltacaktır.
- Boru, radyatör, fırınlı ocak ve buzdolabı gibi topraklanmış yüzeylerle temastan kaçınınız. Vücudunuz toprakla temas ederse elektrik çarpmaya riski artar.
- Şarj cihazını yağmur veya ıslak ortamlara maruz bırakmayın. Şarj cihazının içine giren su, elektrik çarpmaya riskini artırır.
- Kabloyu yanlış kullanmayın. Şarj cihazını asla kablosundan tutarak taşımayın, kablosundan çekmeyin veya kablosundan tutarak prize çıkarmayın. Kabloyu ısı, yağ, keskin kenarlı veya hareketli parçalardan uzak tutun. Hasarlı veya birbirine dolaşmış kablolar elektrik çarpmaya riskini artırır.
- Bir elektrikli aleti açık havada kullanırken, uygun bir dış mekan uzatma kablosu kullanın. Dış mekan için uygun bir kablolu kullanılması elektrik çarpmaya riskini azaltır.

TR

- Elektrikli aletin rutubetli bir ortamda kullanılması gerekiyorsa, kaçak akım rölesi bulunan bir şebeke kullanın. GFCI (toprak hata devre kesicisi) kullanımı elektrik çarpmaya riskini azaltır.

KİŞİSEL GÜVENLİK

- Elektrikli aletleri kullanırken daima dikkatli olun, yaptığınız işe yoğunlaşın ve sağduyulu davranın. Yorgunken, uyuşturucu, alkol veya ilaçlı tedavi etkisi altındayken elektrikli aleti kullanmayın. Elektrikli aletleri kullanırken bir anlık dikkatsizlik ciddi kişisel yaralanmayla sonuçlanabilir.
- Kişisel koruyucu ekipman kullanın. Daima koruyucu gözlük takın. Koşullara uygun toz maskesi, kaymaz emniyet ayakkabıları, kask veya işitme koruması vb. koruyucu ekipman kullanılması kişisel yaralanmaları azaltır.
- Yanlışlıkla çalıştırmaktan kaçınınız. Aleti güç kaynağına ve/veya pil takımına takmadan, havaya kaldırmadan veya taşımadan önce açma kapama düğmesinin kapalı olduğundan emin olun. Aleti, parmağınızı açma kapama düğmesi üzerinde dururken taşımak veya alet açıkken fişi prize takmak kazalara davetiye çıkarır.
- Elektrikli aleti çalıştırmadan önce ayar veya İngiliz anahtarını kontrol edin. Elektrikli aletin döner parçalarına takılı kalmış bir anahtar kişisel yaralanmaya neden olabilir.
- Dengesiz bir duruşta çalışma yapmayın. Çalışma süresince ayaklarınızı sağlam basın ve dengeyi koruyun. Böyle yapılması, beklenmedik durumlarda elektrikli aletin daha iyi kontrol edilmesini sağlar.
- Uygun bir şekilde giyinin. Bol giysiler giymeyin veya takı takmayın. Saçlarınızı, elbiselerinizi ve eldivenlerinizi hareketli parçalardan uzak tutun. Bol giysiler, takılar veya uzun saçlar aletin hareketli parçalarına takılabilir.
- Toz toplayıcı cihaz bağlantıları ve toplama tesisleri olması durumunda, bu bağlantıların düzgün yapılmış ve kullanılıyor olduğundan emin olun. Toz tutucu cihazların kullanımı tozdan kaynaklanabilecek tehlikeleri azaltabilir.
- Aletlerin sık kullanılmasından kaynaklanan aşınmanın sizin boş vermenize ve aletin güvenli prensiplerini görmezden gelmenize neden olmasına izin vermeyin. Dikkatsiz bir hareket, saniyenin binde birindeki bir sürede ağır yaralanmalara neden olabilir.

ELEKTRİKLİ ALET KULLANIMI VE BAKIMI

- Elektrikli aleti zorlamayın. Yaptığınız işe uygun elektrikli aleti kullanın. Doğru elektrikli alet, tasarımına uygun değerlerde kullanıldığında daha iyi ve daha güvenli çalışacaktır.

- **Açma kapama düğmesi çalışmıyorsa elektrikli aleti kullanmayın.** Açma kapama düğmesi ile kontrol edilemeyen bir elektrikli alet tehlikelidir ve onarılması gerekir.
- **Herhangi bir ayar işlemi, aksesuar değişimi veya elektrikli aletlerin saklanması öncesinde fişi prizden çekin ve/veya pil takımını elektrikli aletten çıkarın.** Bu tür önleyici güvenlik önlemleri, elektrikli aletin yanlışlıkla çalışma riskini azaltacaktır..
- **Çalıştırılmayan elektrikli aletleri çocuklardan uzak tutun ve elektrikli aletin kullanımına veya bu talimatlara aşına olmayan kimselerin elektrikli aleti çalıştırmalarına izin vermeyin.** Elektrikli aletler eğitimsiz kullanıcıların elinde tehlikelidir.
- **Elektrikli aletlerin bakımını yapın.** Hareketli parçaların kususuz olarak işlev görüp görmediğini ve sıkışıp sıkışmadığını, parçaların hasarlı olup olmadığını ve elektrikli aletin çalışmasını etkileyebilecek tüm diğer koşulları kontrol edin. Elektrikli alet hasarlı ise, kullanmadan önce tamir ettirin. Kazaların çoğu, elektrikli alet bakımının yeterli şekilde yapılmamasından kaynaklanır.
- **Kesici aletleri keskin ve temiz tutun.** Keskin kesim kenarlarına sahip, bakımı yapılmış kesim aletleri daha az sorun çıkarır ve kontrolü kolaydır.
- **Elektrikli aleti, aksesuarlarını ve alet uçlarını vb. çalışma şartlarını ve yapılacak işi dikkate alarak bu talimatlara uygun şekilde kullanın.** Elektrikli aletin kullanım amacı dışındaki işlerde kullanılması tehlikeli durumlara neden olabilir.
- **Tutma saplarını ve kavrama yüzeylerini kuru, temiz, benzin ve yağdan uzak tutun.** Kaygan saplar ve kavrama yüzeyleri, aletin beklenmeyen durumlarda güvenli bir şekilde tutulmasına ve kontrol edilmesine izin vermez.

PİLE ÇALIŞAN ALETLERİNİN KULLANIMI VE BAKIMI

- **Sadece üretici tarafından belirtilen şarj cihazı ile şarj edin.** Bir pil takımını için uygun olan şarj cihazı, başka bir pil takımını ile kullanıldığında yangın riski oluşturabilir.
- **Elektrikli aletleri sadece özel olarak üretilmiş pil paketleri ile kullanın.** Başka pil paketlerinin kullanımı yaralanma ve yangın tehlikesi oluşturabilir.
- **Pil paketinin kullanımda olmadığı durumlarda, pil paketini ataş, bozuk para, anahtar, çivi, vida veya pil kutupları arasında kısa devre yapabilecek diğer metal nesnelere uzak tutun.** Pil kutuplarının kısa devre edilmesi yangın veya yanıklara neden olabilir.

- **Kötü şartlar altında pilden sıvı akabilir; temas etmekten kaçının. Yanlışlıkla temas edilirse, su ile yıkayın.** Sıvı göze temas ederse, ayrıca tıbbi yardım alın. Pilden akan sıvı tahriş veya yanıklara neden olabilir.
- **Aküyü veya aleti hasarlı veya üzerinde değişiklik yapılmış şekilde kullanmayın.** Hasarlı veya üzerinde değişiklik yapılmış aküler yangın, patlama veya yaralanma riskine neden olacak şekilde beklenmeyen davranışlar gösterebilir.
- **Aküyü veya aleti ateşe veya aşırı sıcaklıklara maruz bırakmayın.** Ateşe veya 130°C'nin üzerindeki sıcaklıklara maruz kalması patlamaya neden olabilir.
- **Tüm şarj talimatlarına uyun ve pil takımını veya aleti talimatlarda belirtilen sıcaklık aralığının dışındaki sıcaklıklarda şarj etmeyin.** Hatalı veya belirtilen sıcaklık aralığının dışındaki sıcaklıklarda şarj etmek, aküye zarar verebilir ve yangın riskini artırır.

SERVİS

- **Elektrikli aletinizin bakımını, sadece orijinal yedek parça kullanan uzman bir tamirciye yaptırın.** Bu, elektrikli aletin emniyetinin korunmasını sağlayacaktır.
- **Asla hasarlı akülere bakım-onarım yapmayın.** Akülerin bakımı sadece üretici veya yetkili servisler tarafından yapılmalıdır.

BU ÜRÜNÜ KULLANMADAN ÖNCE TÜM TALİMATLARI OKUYUN!

EĞİTİM

- **Çocukların, fiziksel duyu kaybı veya zihinsel yetenekleri zayıf veya tecrübe ve bilgi yetersizliği olan kişilerin veya kullanma talimatları hakkında yeterli bilgiye sahip olmayanların makineyi kullanmasına asla izin vermeyin.**
- **Operatör veya kullanıcı, diğer kişilerin ya da diğer kişilere ait eşyaların başına gelebilecek yaralanma veya hasarlardan sorumludur.**

HAZIRLIK

- **Elektrikli alet yağmur ve ıslak koşullarda kullarda kullanılabilir. İşiniz bittikten sonra elektrikli aleti kurulum.**
- **Kullanmadan önce, pilleri veya pil paketlerini hasarlara karşı kontrol edin.** Piller veya pil paketi hasar görmüşse, cihazı kullanmayın.

TR

ÇALIŞMA

- Elektrikli alet yağmur ve ıslak koşullarda kullarda kullanılabilir. İşiniz bittikten sonra elektrikli aleti kurulayın.
- Aşağıdaki durumlarda pilleri veya pil paketini çıkarın:
 1. Makinenin yanından ayrıldığınızda;
 2. Bir tıkanıklığı gidermeden önce;
 3. Makineyi kontrol etmeden, temizlemeden veya üzerinde bir çalışma yürütmeden önce;
 4. Cihaz anormal biçimde titreşim yapmaya başlarsa.
- Eğimli alanlarda bastığınız yerlerin sağlam olduğundan emin olun.
- Yürüyün, asla koşmayın.
- Tüm soğutma hava girişlerini temiz tutun.
- Makineyi sadece günün uygun saatlerinde çalıştırın - insanları rahatsız edecek saatlerde (sabah erken veya gece geç saatler) çalıştırmayın.
- Tozlu çalışma koşullarında yüzeyleri hafifçe nemlendirin veya nemlendirici aksesuarı kullanın.

⚠ UYARI: Döner parça tehlikesi!

- Hava akımının yere yakın şekilde çıkması için tam üfleyici başlığı uzatma parçasını kullanın.
- Makineyi açık pencere vb. yakınında çalıştırmayın.

BAKIM VE SAKLAMA

- KCihazın güvenli biçimde çalışması için tüm somun, vida ve civataların sıkı durumda olmasını sağlayın.
- Aşınmış veya hasarlı parçaları değiştirin.
- Sadece orijinal yedek parça ve aksesuarları kullanın.
- Cihazı mutlaka kuru bir yerde saklayın.

⚠ UYARI: Yangın tehlikesini, elektrik çarpmasını veya yaralanmayı önlemek için:

ÖNEMLİ

KULLANMADAN ÖNCE DİKKATLE OKUYUN.

GELECEKTE BAŞVURU AMACIYLA SAKLAYIN.

- Üfleyicinin bir oyuncak olarak kullanılmasına izin vermeyin. Bu cihaz çocuklar tarafından veya bunların yakınında kullanılırken yakın gözetim altında tutulmaları gerekir.

- Üfleyici olması gerektiği gibi çalışmıyorsa, düşürüldüyse, hasar gördüyse veya suya düştüyse bir servis merkezine götürün.
- Havalandırma deliklerine herhangi bir nesne yerleştirmeyin. Herhangi bir havalandırma deliği tıkanmışsa kullanmayın; havalandırma deliklerinin toz, tiftik, saç vb. tarafından tıkanmamasını sağlayın.
- Merdivenleri temizlerken özellikle dikkat edin.
- Üfleyiciyi akü fişi takılı haldeyken gözetimsiz bırakmayın. Kullanılmadığında ve herhangi bir bakım ve onarım işlemi yürütmeden önce pili çıkarın.
- Şarj cihazını, fişini ve şarj cihazı terminalerini ıslak elle tutmayın.
- Pili açık havada şarj etmeyin.

⚠ UYARI:

- Atılmadan önce akü cihazdan çıkarılmalıdır.
- Akü güvenli bir şekilde imha edilmelidir.

- Tıkanıklıkları gidermeyi denemeden önce **MUTLAKA** pili çıkarın.
- Üfleyici ve tutma sapını kuru ve temiz tutun, benzin ve yağdan uzak kalmasını sağlayın. Temizlik yaparken daima temiz bir bez kullanın. Üfleyiciyi temizlerken fren sıvıları, petrol ürünlerini veya güçlü çözücülerini asla kullanmayın. Bu kurala uyulması kontrol kaybı ve plastik gövde kısımlarının bozulması riskini azaltacaktır.
- Piller, pilot alevi gibi herhangi bir kıvılcım sonucu patlayabilir. Ciddi kişisel yaralanma riskini azaltmak için, asla kablosuz bir ürünü açık alev bulunan bir yerde kullanmayın. Patlayan bir pil etrafa küçük parça ve kimyasal madde saçabilir. Bunlara maruz kalınması halinde derhal su ile yıkayın.
- Bu makineyi asla uygun aksesuarlar takılı değilken çalıştırmayın. Daima üfleyici borunun takılı olduğundan emin olun.
- Üfleyiciyi asla ateş veya sıcak küllerin yakınında kullanmayın. Ateş veya küllerin yakınında kullanılması ateşin yayılmasına yol açarak ciddi yaralanma ve/veya mal hasarına neden olabilir.
- Üfleyicileri asla kimyasal maddeleri, gübreleri veya diğer zehirli maddeleri püskürtmek için kullanmayın. Bu maddelerin püskürtülmesi durumunda operatör ve/veya üçüncü şahıslarda ciddi kişisel yaralanmalar meydana gelebilir.

- **Bu talimatları saklayın.** Talimatlara sık sık müracaat edin ve bu aleti kullanacak diğer kişileri bilgilendirmek için kullanın. Bu ürünü başka birine ödünç vererseniz, ürünün hatalı kullanılmasını ve olası yaralanmaları önlemek için bu talimatları da ürünle birlikte verin.

BU TALİMATLARI SAKLAYIN!!

ΠΡΟΔΙΑΓΡΑΦΕΣ

Voltaj	56V
Ağızda maksimum hava hacmi	986 m ³ /saat
Tavsiye Edilen Çalışma Sıcaklığı	-15°C-40°C
Tavsiye Edilen Depolama Sıcaklığı	-20°C-70°C
Maksimum Hava Hızı	65m/s (yuvarlak nozul olmadan)
	75m/s (Yuvarlak ağız ile)
Yaklaş. Çalışma Süresi (EGO 5.0Ah pil ile)	18 dak (Yükseltme modu)
	30 dak (Yüksek hız)
	200 dak (Düşük hız)
Maksimum üfleme gücü	18N
Üfleleyici Ağırlığı (pil paketi hariç)	2,18 kg
Ölçülen ses güç düzeyi L _{WA}	94,73 dB(A) K=2,83 dB(A)
Operatörün duyduğu ses güç düzeyi L _{PA}	78,4 dB(A) K=2,5 dB(A)
Garanti edilen ses güç düzeyi L _{WA} (2000/14/EC uyarınca)	98 dB(A)
Titreşim a _h	0,505 m/s ² K=1,5 m/s ²

- Bildirilen toplam titreşim değeri standart test yöntemine uygun olarak ölçülmüştür ve bir cihazı diğer bir cihaz ile karşılaştırmak için kullanılabilir.
- Bildirilen toplam titreşim değeri ayrıca ön maruz kalma değerlendirmesinde de kullanılabilir.

UYARI: Elektrikli aletin gerçek kullanımı sırasında meydana gelen titreşim emisyonu aletin kullanım şekline bağlı olarak bildirilen değerden farklı olabilir; Operatörü korumak için, kullanıcı gerçek kullanım koşullarında eldiven ve kulak koruması takmalıdır.

AMBALAJ LİSTESİ

PARÇA ADI	MİKTAR
Üfleleyici	1
Üfleleyici borusu	1
Püskürtme ucu	2
Kullanma kılavuzu	1

AÇIKLAMA

ÜFLEYİCİNİZİ TANIYIN (Şek. A)

1. Yassı ağız
2. Yuvarlak ağız
3. Üfleleyici borusu
4. Boru çıkarma düğmesi
5. Taban
6. Hava girişi
7. Akü çıkarma
8. Elektrik kontakları
9. Mandal
10. Akü çıkarma düğmesi
11. Hava hızı tetiği
12. Turbo düğmesi
13. Hız/Kilitleme Kadranı

⚠ UYARI: Bu ürünün güvenli şekilde kullanılması, proje bilgisinin yanı sıra alet üzerinde ve bu kullanıcı kılavuzunda yer alan bilgilerin anlaşılmasını gerektirir. Bu ürünü kullanmadan önce, tüm çalışma özelliklerini ve güvenlik kurallarını öğrenin.

MONTAJ

⚠ UYARI: Hasarlı veya eksik parça varsa, bu parçalar değiştirilinceye kadar ürünü çalıştırmayın. Bu ürünün hasarlı veya eksik parçalar ile kullanılması ciddi kişisel yaralanmalara yol açabilir.

⚠ UYARI: Bu ürün üzerinde değişiklik yapmaya veya bu üfleleyici ile kullanılması önerilmeyen aksesuarlar oluşturmaya çalışmayın. Bu tür değişiklikler veya modifikasyonlar hatalı kullanımdır ve ciddi kişisel yaralanmalara neden olabilen tehlikeli bir duruma sebep olabilir.

TR

⚠️ UYARI: Ciddi kişisel yaralanmaya sebep olabilecek kazara başlatmayı önlemek için, parçaları birleştirirken her zaman aküyü aletten çıkarın.

UYGULAMA

Bu ürünü aşağıda listelenen amaçlar için kullanabilirsiniz:

- Araba yolları ve kaldırımlar gibi sert yüzeylerin temizlenmesi.
- Yüzey ve araba yollarının yapraklardan ve çam yapraklarından temizlenmesi.

UYARI: Alet sadece belirtilen amaç için kullanılmalıdır. Diğer kullanım şekilleri hatalı kullanım olarak kabul edilir.

ÜFLEYİCİ BORUSUNUN TAKILMASI/ÇIKARILMASI

- **Takmak için (Şek. B & C)**
Oluşu hizalayın ve "klik" sesi duyuncaya kadar boruyu üfleyici gövdesine doğru itin.
- **Çıkarmak için (Şek. D)**
Boru çıkarma düğmesine basın ve boruyu çekerek çıkarın.

ÜFLEYİCİNİN YUVARLAK/YASSI AĞZININ TAKILMASI/ÇIKARILMASI

- **Takmak için (Şek. E & F)**
Püskürtme ucundaki oluk ile borudaki sıkma düğmesini hizalayın ve yerine oturuncaya kadar püskürtme ucunu boru üzerine itin.
- **Çıkarmak için (Şek. G)**
Püskürtme ucu çıkarma düğmesini basılı tutarak mandali devreden çıkarın, ardından püskürtme ucunu üfleyiciden çekerek çıkarın.

DİKKAT: Yassı ağız çıkarırken veya takarken aynı sırayı takip edin.

TR

ΤΟΠΟΘΕΤΗΣΗ/ΑΠΟΜΑΚΡΥΝΣΗ ΤΗΣ ΣΥΣΤΟΙΧΙΑΣ ΜΠΑΤΑΡΙΩΝ

Φόρτιση πριν από την πρώτη χρήση.

Sadece şek. A'da listelenen pil paketi ve şarj cihazlarını kullanın.

- **Gια την εγκατάσταση (Şek. H)**
Ευθυγραμμίστε τις νευρώσεις μπαταρίας με τις οπές τοποθέτησης και πιέστε τη συστοιχία μπαταριών, έως ότου ακούσετε ένα «κλικ».
- **Gια την απομάκρυνση (Şek. I)**
Πιέστε το κουμπί αποδέσμευσης μπαταρίας και βγάλτε έξω τη συστοιχία μπαταριών.

⚠️ ΠΡΟΕΙΔΟΠΟΙΗΣΗ: Να προσέχετε πάντα την τοποθεσία των ποδιών σας, παιδιών ή κατοικίδιων όταν πιέζετε το κουμπί αποδέσμευσης μπαταρίας. Μπορεί να συμβεί σοβαρός τραυματισμός εάν πέσει κάτω η συστοιχία μπαταριών. ΠΟΤΕ μην απομακρύνετε τη συστοιχία μπαταριών σε υψηλότερο σημείο.

Şek. H parçalarının açıklaması aşağıdaki gibidir:

H-1	Akü Çıkarma Düğmesi	H-3	Montaj Yuvası
H-2	Akü Dişi		

ÜFLEYİCİYİ ÇALIŞTIRMA/DURDURMA (Şek. J)

■ Sadece Hava Hızı Tetiği

1. Üfleyiciyi açmak için hava hızı tetiğine tekrar basın.
2. Üfleyicinin hava hızı değişken hızlı tetikle kontrol edilir. Tetiğe daha fazla basınç uygulanması daha yüksek üfleme hızlarına yol açar; tetiğe daha az basınç uygulanması daha düşük üfleme hızlarına neden olur. Hızı yapılan göreve göre ayarlayın.
3. Üfleyiciyi kapatmak için hava hızı tetiği serbest bırakın.

■ Sadece Hız/Kilitleme Kadranı

Üfleyici hız/kilitleme kadranı ile herhangi bir hızda çalıştırılabilir ve kilitlenebilir.

1. Üfleyiciyi başlatmak için hız/kilitleme kadranını saat yönünde çevirin. Hava hızı kadran saat yönünde döndükçe hava hızı artacaktır.
2. Hava hızını azaltmak için hız/kilitleme kadranını saat yönünün tersine çevirin.
3. Üfleyiciyi durdurmak için hız/kilitleme kadranını saat yönünün tersine kapalı konumuna doğru döndürün.

DİKKAT: Eğer hız/kilitleme kadranı üfleyiciyi açmadan önce tekrar kapalı konumuna geri döndürülmezse, üfleyici şarj edilmiş bir akü takıldığında hız/kilitleme kadranı ile çalıştırılmayacaktır. Bu kazara başlatmayı önlemek için bir koruma özelliğidir. Korumayı devre dışı bırakmak için hava hızı tetiğine tekrar basın.

Hava hızını geçici olarak maksimum seviyeye çıkarmak için çalışırken yükseltme düğmesine basın. Üfleyici güç düğmesi serbest kaldığı zaman önceki hızında çalışmaya devam edecektir.

Şek. J parçalarının açıklaması aşağıdaki gibidir:

J-1	Hız/kilitleme Kadranı	J-3	Hava hızı tetiği
J-2	Turbo düğmesi		

Üfleyici Kullanma İpuçları

- Atıkların püskürtülmesini önlemek için, çöp birikintilerinin dış kenarları etrafına üfleyin. Asla doğrudan birikintinin içine doğru üflemeyin.
- Gürültü düzeyini azaltmak için, bir defada kullanılan ekipman sayısını sınırlı tutun.
- Üfleme öncesinde çöpleri gevşetmek için tırmık ve saplı süpürge kullanın. Tozlu koşullarda, varsa suyla yüzeyleri hafifçe nemlendirin.
- Çocuklara, evcil hayvanlara, açık pencere veya yeni yıkanmış araçlara dikkat edin ve atıkları güvenli biçimde uzağa üfleyin.
- Üfleyicileri veya diğer cihazları kullandıktan sonra temizleyin! Atıkları uygun biçimde imha edin.
- Fazla titreşim ve ses sağlığınız açısından zararlı olabileceği için üfleme makinesinin uzun süre yüksek hızda çalıştırılması tavsiye edilmez.

BAKIM

⚠ UYARI: Bakım ve onarım sırasında birbir aynı yedek parçaları kullanın. Diğer parçaların kullanılması tehlike oluşturabilir veya ürünün hasar görmesine neden olabilir. Güvenliği ve güvenilirliği sağlamak için, tüm onarım işlemleri yetkili bir servis teknisyeni tarafından gerçekleştirilmelidir.

⚠ UYARI: Ciddi kişisel yaralanmaları önlemek için, temizlik veya bakım işlemi gerçekleştirirken daima pil paketini üründen çıkarın.

GENEL BAKIM

Plastik parçaları temizlerken çözücü maddeler kullanmaktan kaçının. Plastikler çeşitli ticari çözücü türlerinden kötü yönde etkilenmeye yatkındır ve kullanılmaları durumunda zarar görebilirler. Kir, toz, yağ, gres, vb. gidermek için temiz bez kullanın.

⚠ UYARI: Fren sıvıları, petrol, petrol bazlı ürünler, içe işleyen yağlar, vb.nin plastik parçalara temas etmesine kesinlikle izin vermeyin. Kimyasal maddeler plastik parçalara hasar verebilir, bu tür parçaları zayıflatabilir veya parçalayabilir ve bu durum ciddi yaralanmalara neden olabilir.

SAKLAMA

- Aküyü üfleyiciden çıkarın.
- Üfleyicinin hava deliklerindeki tüm yabancı maddeleri temizleyin.

- Makineyi çocukların ulaşamayacağı kapalı bir yerde saklayın. Bahçe kimyasalları ve eritici tuzlar gibi aşındırıcı maddelerden uzak tutun.

Çevre koruması



Elektrikli cihazları, pil şarj cihazını ve pilleri/şarj edilebilir pilleri evsel atıklarla birlikte atmayın!

AB Yasası 2012/19/EU uyarınca, kullanılamaz durumdaki elektrikli ve elektronik cihazlar ve AB Yasası 2006/66/EC uyarınca, arızalı veya kullanılmış pil paketleri/piller ayrı olarak toplanmalı ve çevre dostu bir şekilde imha edilmelidir.

Elektrikli cihazlar katı atık sahaları veya çöp toplama alanlarına atılırsa, yer altı sularına ve besin zincirine tehlikeli maddeler sızabilir, bu da sağlığınızın bozulmasına yol açabilir.



SORUN GİDERME

SORUN	NEDENİ	ÇÖZÜM
Üfleyici çalışmıyor..	<ul style="list-style-type: none">■ Pil paketi, üfleyiciye takılı değil.■ Üfleyici ile pil arasında elektrik teması yok.■ Pil paketi boş.■ Pil paketi veya üfleyici çok sıcak.■ Üfleyici açılmadan önce hız/kilit açma kadranı tekrar kapalı konuma getirilmemiştir.	<ul style="list-style-type: none">■ Pil paketini üfleyiciye takın.■ Pili çıkarın, temas noktalarını kontrol edin ve pil paketini yeniden takın.■ Pil paketini şarj edin.■ Pil paketini ve üfleyiciyi, sıcaklığı 67°C'nin altına düşene kadar soğutun. Korumayı devre dışı bırakmak ve üfleyiciyi başlatmak için hava hızı tetikleyicisine basın ve üfleyiciyi başlatın veya ilk önce kadran üzerindeki hız/kilitleme kadranında kapalı konumuna çevirin.
Hava hızı önemli ölçüde azalıyor.	<ul style="list-style-type: none">■ Motor fanı aşırı yıpranmış.■ Hava girişi atıklar nedeniyle tıkanmış.	<ul style="list-style-type: none">■ Onarılması için EGO servis merkeziyle irtibata geçin.■ Pil paketini çıkarın, atıkları temizleyin.

GARANTİ

EGO GARANTİ POLİTİKASI

EGO Garanti politikasına ilişkin tüm hüküm ve koşullar için, lütfen egopowerplus.com adresindeki web sitemizi ziyaret edin.

TR

LUGEGE KOGU JUHEND LÄBI!



LUGEGE KASUTUSJUHEIDIT

MÄRKUS: See juhend on saadaval ka teistsuguses vormingus, nt kodulehel.

⚠️ Kaasnev oht! Elektroonilisi seadmeid (nt südamestimulaatorit) kasutavad inimesed peaksid enne seadme kasutamist konsulteerima oma arsti(de)ga. Elektriliste seadmete kasutamine südamestimulaatori läheduses võib põhjustada häireid stimulaatori töös.

⚠️ HOIATUS: Ohutuse ja töökindluse tagamiseks tohivad seda seadet remontida ainult vastava kvalifikatsiooniga hooldustehnikud.

TURVASÜMBOLID

Turvasümbolite eesmärk on juhtida kasutajate tähelepanu võimalikele ohtudele. Turvasümboliteid ja nende seletusi tuleb tähele panna ja mõista. Hoiatussümbolite iseenesest ei likvideeri ühtegi ohtu. Nende abil antavad juhised ja hoiatused ei asenda korrektseid õnnetuste ennetamise meetmeid.

⚠️ HOIATUS: Lugege kõik käesolevas juhendis olevad turvajuhised enne seadme kasutamist hoollega läbi. Muuhulgas tutvuge kindlasti ka turvasiltidega, millel on tähised “OHT”, “HOIATUS” või “ETTEVAATUST”. Kui te ei järgi kõiki allpool toodud juhiseid, võib tekkida elektrilöögi, tulekahju ja/või raske kehavigastuse oht.

KAHJUENNETUS JA INFOSÕNUMID

Need annavad kasutajale olulist teavet ja/või juhiseid, mille mittejärgimine võib põhjustada seadmete või muu vara kahjustusi. Igale sõnumile eelneb märg “MÄRKUS”, nagu alltoodud näites:

MÄRKUS: Nende juhiste mittejärgimisega kaasneb seadme- ja/või varakahjude oht.



⚠️ HOIATUS: Kõigi mootoriga tööriistade kasutamisel on oht, et mõni võõrkeha võib teile silma lennata ja nägemiskahjustusi põhjustada. Enne kui hakkate tööriista kasutama, pange alati ette kaitsemask või külljekaitsega kaitseprillid ning vajadusel ka näomask. Soovitame prillide asemel kasutada laia vaateulatusega kaitsemaski või standardseid külljekaitsega kaitseprille.

OHUTUSJUHISED

Selle leheküljel on kujutatud ja kirjeldatud käesoleva toote puhul kasutatud turvasümboliteid. Lugege see teave hoolikalt läbi ja järgige seadme kokkupanemisel ja kasutamisel kõiki juhiseid.

	Turvamärguanne	Ohutusabinõud
	Kasutage silmade kaitsevahendeid	Kandke selle seadme kasutamise ajal alati kaitsemaski või külljekaitsega kaitseprille.
	Kasutage kõrvade kaitsevahendeid	Kasutage seadmega töötades alati kuulmiskaitset
	Lugege kasutusjuhendit	Vigastuste ohtu vähendamiseks peab kasutaja enne toote kasutamist kasutusjuhendit lugema.
	Ärge laske kellelgi töö ajal enda lähedal seista	Ärge laske teistel isikutel tulla töötavale seadmele lähemale kui 15 meetrit.
V	Volti	Pinge
A	Amprit	Voolutugevus
Hz	Hertsi	Sagedus (tsükli sekundis)
W	Vatti	Võimsus
min	Minutit	Aeg
m ³ /h	Kuupmeetrit tunnis	Õhu maht
km/h	Kilomeetrit tunnis	Õhu kiirus
	Vahelduvvool	Laengu tüüp
	Alalisvool	Laengu tüüp või omadus
η ₀	Tühikäigu kiirus	Tühikäigu pöörlemiskiirus
... /min	Minutis	Pööret minutis

Elektriseadme kasutusel tuleb alati järgida elementaarseid ohutusnõudeid, sealhulgas ka alljärgnevat:

ET

ÜLDISED MOOTORIGA TÖÖRIISTADE HOIATUSED

▲ HOIATUS: LUGEGE LÄBI KÕIK ELEKTRITÖÖRIISTAGA KAASAS OLEVAD HOIATUSED, JUHISED, JOONISED JA ANDMED. Alltoodud juhiste eiramine võib põhjustada elektrilööki, tulekahju ja/või raskeid vigastusi.

SÄILITAGE HOIATUSED JA JUHISED HILISEMAKS KASUTUSEKS.

Hoiatustes kasutatud termin "mootoriga tööriist" viitab voolu jõul (juhtmega) töötavale mootoriga tööriistale või aku jõul töötavale (juhtmeta) tööriistale.

TÖÖPIIRKONNA OHUTUS

- Tööpiirkond peab olema puhas ja hästi valgustatud. Segadus või valgustamata tööpiirkonnad suurendavad õnnetuste tõenäosust.
- Ärge kasutage elektrilisi tööriistu plahvatusohtlikus keskkonnas, kus leidub nt tuleohtlikke vedelikke, bensiini või tolmu. Mootoriga tööriistad tekitavad sädemeid, mis võivad süüdata tolmu või aurasid.
- Mootoriga tööriistadega töötamisel hoidke lapsed ja kõrvalseisjad eemal. Tähelepanu hajumisel võite kaotada kontrolli seadme üle.

ELEKTRILINE OHUTUS

- Elektrilised tööriistad tuleb ühendada sobivasse pistikupessa. Ärge kunagi muutke pistikut mitte mingil viisil. Ärge kasutage koos maandatud elektriliste tööriistadega mingisuguseid üleminekuadaptereid. Muutmata pistikute ja sobivate pistikupesade kasutamine vähendab elektrilöögi ohtu.
- Vältige kehalist kontakti maandatud pindadega (nt torud, radiaatorid, piirded, külmikud). Kui teie keha on maandatud, suureneb elektrilöögi oht.
- Ärge jätke elektrilisi tööriistu vihma kätte ega niisketesse tingimustesse. Vee sattumine elektrilise tööriista sisse suurendab elektrilöögi ohtu.
- Ärge rikkuge juhete. Ärge kasutage juhete elektritööriista kandmiseks või tõmbamiseks ja ärge tõmmake juhtmest, kui soovite pistikut pistikupesast eemaldada. Vältige juhtme kokkupuudet kuumade objektide, õli, teravate äärte või liikuvate osadega. Kahjustatud või puntras juhe suurendab elektrilöögi ohtu.

ET

- Elektrilise tööriistaga välitingimustes töötamiseks kasutage välitingimustesse sobivat pikendusjuhet. Välitingimustesse sobiva juhtme kasutamine vähendab elektrilöögi ohtu.
- Kui peate kindlasti tööriista märjas kohas kasutama, kasutage seadet, millel on maandusrikke katkestus. Selle reegli järgimine vähendab elektrilöögi ohtu.

ISIKLIK OHUTUS

- Olge tähelepanelik, töötage hoolikalt ja kasutage tervet mõistust. Ärge kasutage elektrilisi tööriista, kui olete väsinud või tarvitanud narkootikume, alkoholi või ravimeid. Isegi hetkeline tähelepanematus elektritööriistade kasutamise ajal võib põhjustada tõsiseid vigastusi.
- Kasutage isikukaitsevahendeid. Kandke silmakaitsevahendeid. Töötajatele vastava kaitsevarustuse (nt tolmu maski, mittelibisevate turvakingade, tugeva peakatte või kuulmiskaitsete) kasutamine vähendab kehavigastuste ohtu.
- Vältige soovimatut käivitumist. Veenduge, et lüliti on mitteaktiivses asendis enne kui ühendate vooluvõrgu või akuplokiga ning enne seadme kandmist või üles tõstmist. Elektritööriistade kandmine sõrme lüliti hoides või aktiivses olekus lülitiga põhjustab õnnetusi.
- Enne tööriista sisselülitamist eemaldage sellel kohandusvõtmed ja mutrivõtmed. Tööriista pöörleva osa külge unustatud tööriistad võivad põhjustada kehavigastusi.
- Ärge küünitage liiga kaugele. Töötage ainult kindlal maapinnal ja kohtades, kus pole ohtu tasakaalu kaotada. Nii säilitate tööriista üle ootamatutes olukordades parema kontrolli.
- Riietuge asjakohaselt. Ärge kandke ehteid ega avaraid riideid. Vältige oma juuste, riiete ja kinnaste kokkupuudet liikuvate osadega. Liiga avarad riided, ehted ja pikad juuksed võivad liikuvate osade vahele kinni jääda.
- Kui tootega on kaasas vahendid tolmu kogumise- ja väljavõtuseadmete ühendamiseks, veenduge, et need seadmed on korralikult ühendatud ja korrektses kasutuses. Tolmu kogumisseadmete kasutamine vähendab tolmu seotud ohtusid.
- Kui seade on teile sagedase kasutamise tulemusel harjumuspäraseks saanud, ärge laske ennast lõdvaks ega ignoreerige tööriista kasutamise ohutusreegleid. Hooletuse tõttu võite saada tõsiseid vigastusi ka sekundi murdosa jooksul.

AKUSEADMETE KASUTAMINE JA HOOLDUS

- **Ärge rakendage tööriista kasutamisel jõudu. Kasutage konkreetseks tööks sobivat tööriista.** Akuseade töötab paremini ja turvaliselt, kui seda kasutada ettenähtud kiirusel.
- **Ärge kasutage tööriista, mida ei saa lülitist sisse ja välja lülitada.** Elektrilised tööriistad, mille lüliti ei tööta, on ohtlikud ja tuleb parandada.
- **Eemaldage juhe vooluvõrgust ja/või akuplokk seadme küljest enne kui alustate seadme kohandamist, lisakomponentide lisamist või eemaldamist ja enne kui hakkate seadet hoistama.** Need ohutusmeetmed vähendavad seadme tahtmatu käivitamise võimalust.
- **Tööriistu, mida te hetkel ei kasuta, hoidke lastele kättesaamatus kohas ning ärge lubage nendega töötada isikutel, kes pole tööriistade tööpõhimõtete või käesoleva juhendiga tutvunud.** Koolitamata isikute käes on elektrilised tööriistad ohtlikud.
- **Akuseadmete hooldamine** Kontrollige, kas komponendid on korrektselt joondatud ja ega ükski osa paindunud pole ning jälgige ka muid aspekte, mis võiksid tööriista omadusi mõjutada. Kahjustuste leidmisel laske tööriist enne järgmist kasutust remontida. Paljude õnnetuste põhjuseks on kehvasti hooldatud tööriistad.
- **Hoidke oma tööriistu teravate ja puhastena.** Korralikult hooldatud ja teravate servadega lõikeääred ei paindu nii kergesti ja on lihtsamini juhitavad.
- **Kasutage tööriista, selle lisakomponente ja tööriistaosi jm vastavalt käesolevale juhendile, võttes arvesse töötingimusi ja teostatavat tööd.** Tööriista mitte-eesmärgipärane kasutamine võib põhjustada ohtlikke olukordi.
- **Hoidke käepidemed ja haardepinnad kuivad ja puhtad ning vältige neile õli ja rasva sattumist.** Libedad käepidemed ja haardepinnad takistavad seadme ohutut kasutamist ja käsitsemist ootamatutes olukordades.

AKUSEADMETE KASUTAMINE JA HOOLDUS

- **Kasutage laadimiseks ainult tootja poolt ette nähtud laadijaid.** Akulaadija, mis sobib teatud tüüpi akuplokkidele, võib põhjustada tulekahju ohtu, kui seda kasutada mõne teise akuplokkiga.
- **Kasutage elektrilisi tööriistu ainult nende jaoks ette nähtud akuplokkidega.** Mõne muu akuploki kasutamine võib põhjustada vigastuste ja tulekahju ohtu.

- **Kui akut ei kasutata, hoidke seda eemal muudest metallesemetest nagu kirjaklambritest, müntidest, võtmetest, naeltest, kruvidest ja muudest väikestest metallesemetest, mis võivad klemmide vahel ühenduse luua.** Aku klemmide lühühendus võib põhjustada põletushaavu ja tulekahju ohtu.
- **Valedes tingimustes kasutamisel võib akut vedelikku välja tulla; vältige kokkupuudet sellega.** Kokkupuute tekkimisel loputage veega. Kui vedelik satub silma, pöörduge lisaks ka arsti poole. Akust väljuv vedelik võib põhjustada ärritust või põletusi.
- **Ärge kasutage kahjustunud või modifitseeritud akuplokki või tööriista.** Kahjustunud või modifitseeritud akut võivad toimida ettearvamatu, mille tagajärjeks võib olla tulekahju, plahvatus või vigastuste oht.
- **Vältige akuploki või tööriista kokkupuudet tule või liiga kõrge temperatuuriga.** Kokkupuude lahtise tule või temperatuuriga üle 130 °C võib põhjustada plahvatuse.
- **Järgige kõiki laadimisjuhiseid ja ärge laadige akuplokki või tööriista vale temperatuuri juures (vt juhiseid).** Valesi või valel temperatuuril laadimine võib kahjustada akut ja suurendada tulekahju ohtu.

HOOLDUS

- **Laske oma akutööriista hooldada kvalifitseeritud remonditehnikul, kes kasutab ainult identseid originaalvaruosid.** See tagab elektritööriista ohutuse.
- **Ärge kunagi hooldage kahjustunud akuplokke.** Akuplokkide hooldust võib teostada ainult tootja või volitatud teeninduskeskus.

ENNE SELLE TOOTE KASUTAMIST LUGEGE LÄBI KOGU KASUTUSJUHEND!

KOOLITUS

- **Ärge lubage seadet kasutada lastel, vähenenud vaimsete, sensoorsete või füüsiliste võimetega isikutel ega isikutel, kellel puuduvad vajalikud teadmised ja kogemus või kes pole tutvunud kasutusjuhendiga.**
- **Seadme kasutaja vastutab teiste inimeste või nende varaga juhtvate õnnetuste eest.**

ETTEVALMISTUS

- **Elektritööriista võib kasutada vihma käes või niisketes tingimustes. Pärast töö lõpetamist kuivatage seadet.**

ET

- Enne töö alustamist veenduge, et akud või akuplokid pole kahjustatud. Ärge kasutage seadet, kui akud või akuplokk on kahjustatud.

SEADME KASUTAMINE

- Elektritööriista võib kasutada vihma käes või niisketes tingimustes. Pärast töö lõpetamist kuivatage seadet.
- Ühendage akud või akuplokid lahti:
 1. kui lahkude seadme juurest;
 2. enne ummistuse eemaldamist;
 3. enne seadme kontrollimist, puhastamist või seadistamist;
 4. kui seade hakkab ebanormaalselt vibreerima.
- Kallakutel jälgige jalgealust eriti tähelepanelikult.
- Kõndige, ärge jooksk.
- Hoidke kõik jahutusavad puhtad.
- Kasutage seadet ainult päevasel ajal ja vältige töötamist varahommikul ja hilja õhtul, kui võite teisi inimesi häirida.
- Tolmuste alade puhul on soovitatav enne seadme kasutamist maapinda veidi niisutada või kasutada niisutavat lisaseadet.

⚠ HOIATUS: TPöörlevate osade oht!

- Use the full blower nozzle extension so the air stream can work close to the ground.
- Not to operate the machine near open windows, etc.

MAINTENANCE AND STORAGE

- Ohutuse huvides kontrollige regulaarselt, et kõik mutrid, poldid ja kruvid oleksid kinni.
- Vahetage kulunud või kahjustatud osad välja.
- Kasutage ainult originaalvarvikuid ja -varuosi.
- Hoiustage seadet ainult kuivas kohas.

⚠ HOIATUS: Tulekahju, elektrilöögi või kehavigastuste ohtu vähendamiseks:

OLULINE

ENNE KASUTAMIST LUGEGE TÄHELEPANELIKULT.

HOIDKE EDASISEKS KASUTAMISEKS ALLES.

- Ärge lubage puhuriga mängida. Kui kasutate tööriista laste lähedal või lasete seda kasutada lastel, olge väga tähelepanelik.

- Kui puhur ei tööta nii nagu peab või kui see on maha kukkunud, kahjustatud või vette kukkunud, viige see hoolduskeskusesse.
- Ärge paigutage midagi seadme avadesse. Ärge kasutage seadet, kui mõni selle ava on ummistunud; jälgige, et tolm, ebemed, juuksekarvad või muud esemed ei takista seadme õhuvoolu.
- Treppide puhastamisel olge eriti ettevaatlik.
- Ärge jätke puhurit järelevalveta, kui aku on sellega ühendatud. Eemaldage aku, kui puhurit ei kasutata või hakkate seda hooldama.
- Ärge puudutage laadijat, laadija pistikut ega laadija klemme märgade kätega.
- Ärge laadige akuplokki välitingimustes.

⚠ HOIATUS:

- Akuplokk tuleb seadmelt enne selle käitlemist eemaldada.

- Aku käitlemisel tuleb järgida ohutusreegleid.

- **ÄRGE** üritage likvideerida ummistust enne, kui olete eemaldanud seadme aku.
- **Hoidke puhur ja selle käepide kuivad, puhtad ja vältige õli ja rasva sattumist seadmele.** Puhastamisel kasutage alati puhast lappi. Ärge kasutage puhuri puhastamiseks piduriõli, bensini, naftapõhiseid tooteid või teisi tugevatoimelisi lahusteid. Selle reegli järgimisega vähendate seadme üle kontrolli kaotamise ohtu ning plastikosade lagunemist.
- **Akud võivad süüteallika, nt valvepõleti läheduses plahvatada.** Tõsiste kehavigastuste ohtu vähendamiseks ärge kunagi kasutage juhtmeta seadet lahtise leegi läheduses. Plahvatav aku võib paisata enda ümber prahti ja kemikaale. Kokkupuute korral loputage mõjutatud kohta viivitamatult rohke veega.
- **Ärge kasutage seadet ilma nõuetekohase lisavarustusega.** Jälgige alati, et puhuri toru on kinnitatud.
- **Ärge kasutage puhurit lõkete või kuuma söe lähedal.** Seadme kasutamisel tule või kuuma söe läheduses võib tuli levida ja põhjustada raskeid vigastusi ja/või varalisi kahjusid.
- **Ärge kasutage puhurit kemikaalide, väetiste või muude toksiliste ainete laiali ajamiseks.** Nende ainete laialiajamine võib põhjustada raskeid vigastusi seadme kasutajale või kõrvalistele isikutele.

- **Hoidke see kasutusjuhend alles.** Lugege juhendit sageli ning kasutage seda seadet kasutavate isikute väljaõpetamiseks. Kui te seadet kellelegi laenate, andke sellega kaasa ka käesolev kasutusjuhend, et vältida seadme väärkasutamist ja võimalikke vigastusi.

HOIDKE SEE KASUTUSJUHE ALLES!

SPETSIFIKATSIOONID

Pinge	56V
Maksimaalne õhu vooluhulk otsaku juures	986 m³/h
Soovituslik töökeskkonna temperatuur	-15°C-40°C
Soovituslik hoiustamise temperatuur	-20°C-70°C
Maksimaalse õhukiiruse	65m/s (ilma ümmarguse otsikuta)
	75m/s (Ümara otsakuga)
Ligikaudne järjestikune tööaeg (EGO 5,0Ah akuga)	18 min (võimendusrežiim)
	30 min (suur kiirus)
	200 min (madal kiirus)
Maksimaalne puhumisjõud	18V
Puhuri kõrgus (ilma akuplokita)	2,18 kg
Mõõdetud helirõhu tase L_{WA}	94,73 dB(A) K=2,83 dB(A)
Helirõhk seadme operaatori kõrva juures L_{PA}	78,4 dB(A) K=2,5 dB(A)
Garanteeritud helirõhk L_{WA} (mõõdetud vastavalt 2000/14/EN)	98 dB(A)
Vibratsioon a_h	0,505 m/s² K=1,5 m/s²

- Ametlik vibratsioonitaseme näit on mõõdetud standardsete testmeetodite kohaselt ja seda võidakse kasutada erinevate tööriistade võrdlemiseks.
- Ametlikku vibratsioonitaseme näitu võib kasutada ka algse kokkupuutehinna andmiseks.

MÄRKUS: Tegelikul kasutamisel tekiv vibratsioonitase või ametlikult märgitust erineb; turvalisuse eesmärgil peaks seadme kasutaja kandma kindaid ja kuulmiskaitseid.

PAKENDI LOEND

OSA NIMI	KOGUS
Puhur	1
Puhuri toru	1
Otsaku tarvik	2
Kasutusjuhend	1

KIRJELDUS

TUNNE OMA PUHURIT (joon. A)

1. Lapik otsak
2. Ümar otsak
3. Puhuri toru
4. Toruvabastusnupp
5. Alus
6. Õhu sissevool
7. Aku väljatõukamine
8. Elektrikontaktid
9. Riiv
10. Aku vabastamise nupp
11. Õhukiiruse päästik
12. Võimendusnupp
13. Kiiruse / lukustamise nupp

⚠ HOIATUS: Selle seadme ohutuks kasutamiseks tuleb tootele nii tootele kantud kui ka käesolevas juhendis sisalduvast teabest aru saada ning mõista ka teostatava töö aluseid. Enne toote kasutamist tutvuge selle funktsioonidega ja ohutusreeglitega.

KOKKUPANEK

⚠ HOIATUS: Kui mõni osa on kahjustatud või puudub, ärge kasutage seadet enne kui see osa on parandatud. Kasutades kahjustatud või vajalike komponentideta seadet, võite saada raskeid vigastusi.

⚠ HOIATUS: Ärge üritage seadet ümber ehitada ega kasutada lisaseadmeid, mis pole mõeldud selle seadmega koos kasutamiseks. Kõik niisugused muudatused loetakse väärkasutuseks ja need võivad põhjustada ohtlikke olukordi, mis lõppevad raskete vigastustega.

⚠ HOIATUS: Raskeid vigastusi põhjustada võiva juhusliku käivitumise vältimiseks eemaldage seadmeosade kokkupaneku ajaks alati akuplokk

ET

RAKENDUS

Seadet tohib kasutada allpool loetletud eesmärkidel:

- Kõvade pindade, nt sõidu- ja kõnniteede, puhastamiseks.
- Kõnni- ja sõiduteede lehtedest ja männiokastest puhastamiseks.

MÄRKUS: Seadet tohib kasutada vaid käesolevas juhendis lubatud eesmärgil. Igasugust muud kasutust loetakse väärkasutuseks.

PUHURI TORU PAIGALDAMINE/EEMALDAMINE

■ Paigaldamiseks (joon. B & C)

Seadke sooned kohakuti ja lükake toru puhuri korpuse peale, kuni kuulete klõpsu.

■ Eemaldamine (joon. D)

Vajutage toruvabastusnuppu ja tõmmake toru välja.

PUHURI ÜMARA/LAPIKU OTSAKU PAIGALDAMINE/EEMALDAMINE

■ Paigaldamine (joon. E & F)

Seadke jaotusotsaku soon kohakuti toru nupuga ja suruge otsakut torule, kuni see klõpsatusega kinnitub.

■ Eemaldamine (joon. G)

Vajutage otsaku vabastusnuppu ja hoidke seda all, kuni lukustusdetail vabaneb, seejärel tõmmake otsak otsesuunas puhurilt ära.

MÄRKUS: Lapiku otsaku paigaldamiseks või eemaldamiseks järgige sama toimingute järjekorda.

AKUPLOKI PAIGALDAMINE/EEMALDAMINE

Laadige enne esimest kasutamist.

Kasutage ainult joonisel A esitatud akuplokke ja laadijaid.

■ Paigaldamiseks (joon. H)

Joondage aku ribad paigaldussoontega ja suruge akuplokki alla kuni kuulete klõpsatust.

■ Eemaldamiseks (joon. I)

Vajutage akuvabastusnuppu ja tõmmake akuplokk välja.

⚠ HOIATUS: Akuvabastusnuppu vajutades jälgige alati oma jalgade ning läheduses viibivate laste ja loomade asukohaga. Akuploki kukkumine võib põhjustada raskeid vigastusi. Akuploki ei tohi eemaldada kõrges kohas töötades.

Joonise H osade kirjeldus, vt allapool:

H-1	Aku vabastamise nupp	H-3	Paigaldussoon
H-2	Aku sakk		

PUHURI KÄIVITAMINE/PEATAMINE (joon. J)

■ Ainult õhukiiruse päästik

1. Puhuri sisselülitamiseks vajutage õhukiiruse päästikut.
2. Puhuri õhukiirust saab seadistada kiiruse reguleerimise päästikuga. Suurem surve päästikule tõstab õhu väljavoolu kiirust; väiksem surve päästikule vähendab õhu väljavoolu kiirust. Reguleerige kiirust vastavalt teostatavale tööle.
3. Puhuri väljalülitamiseks vabastage õhukiiruse päästik.

■ Ainult kiiruse / lukustamise nupp:

Puhuri sisselülitamiseks ja ükskõik millisele kiirusele lukustamiseks kasutage kiiruse / lukustamise nuppu.

1. Puhuri käivitamiseks keerake kiiruse / lukustamise nuppu. Nupu päripäeva keeramine suurendab õhu väljavoolu kiirust.
2. Õhukiiruse vähendamiseks keerake kiiruse / lukustamise nuppu vastupäeva.
3. Puhuri peatamiseks keerake kiiruse / lukustamise nuppu vastupäeva kuni asendini „väljas“.

MÄRKUS: Kui kiiruse / lukustamise nupp ei ole enne puhuri sisselülitamist asendis „väljas“, siis puhur kiiruse / lukustamise nupu abil ei käivitu, ka pärast laetud aku paigaldamist. See on kaitsefunktsioon juhuliku käivitamise ennetamiseks. Õhukiiruse päästiku vajutamine deaktiveerib kaitse.

Õhukiiruse maksimaalse taseme saavutamiseks ajutiselt vajutage seadmega töötamise ajal võimenduslülitit. Puhur naaseb eelnevalt seadistatud kiirusele võimenduslülitit vabastamisel.

Joonise J osade kirjeldus, vt allapool:

J-1	Kiiruse / lukustamise nupp	J-3	Õhukiiruse päästik
J-2	Võimenduslülitit		

Nõuanded puhuri kasutamiseks

- Mustuse laiali pildumise vältimiseks puhuge prahihunniku välimisi ääri mööda. Ärge suunake õhuvoolu prahihunniku keskele.
- Mürataseme vähendamiseks ärge kasutage korraga väga paljusid seadmeid.
- Enne puhumist tehke praht rehade või harjadega maa küljest lahti. Tolmustes tingimustes võiks vee olemasolul tööpinda veidi niisutada.

- Jälgige laste, loomade, avatud akende ja hiljuti pestud autode asukohta ning puhuge prahti ohutus suunas.
- Pärast puhurite ja teiste seadmete kasutamist, koristage tööpiirkond! Kõrvaldage praht nõuetekohaselt.
- Ärge kasutage puhurit suurel kiirusel pikka aega järjest, sest vibratsioon ja müra võivad teie tervist kahjustada.

Keskkonnakaitse



Ärge visake elektriseadmeid, akulaadijat ega patareisid / akusid olmeprügi hulka! Vastavalt Euroopa Liidu eriaruandele 19/2012/nr tuleb elektri- ja elektroonikaseadmed, mis pole enam kasutatavad, ning, vastavalt direktiivile 2006/66/EÜ, ka defektsed või kasutatud akuplokkid / patareisid, eraldi kokku koguda ja utiliseerida

HOOLDUS

⚠ HOIATUS: Remontimisel kasutage vaid originaalvaruosi. Muude varuosade kasutamise kaasaeb oht ja võite ka seadet kahjustada. Ohutuse ja töökindluse tagamiseks tohivad seda seadet remontida ainult vastava kvalifikatsiooniga hooldustehnikud.

⚠ HOIATUS: Raskete kehavigastuste vältimiseks tuleb seadme puhastamise või hooldamise ajaks alati akuplokk eemaldada.

ÜLDINE HOOLDUS

Ärge kasutage seadme plastikpindade puhastamiseks lahusteid. Enamik plastikmaterjale on erinevat tüüpi kaubanduses saadaolevate lahustite toimel kergesti lagunevad ning lahustite kasutamine võib neid kahjustada. Kasutage mustuse, tolmu, õli, rasva jm eemaldamiseks puhast lappi.

⚠ HOIATUS: Ärge kunagi laske pidurivedelikel, bensiinil, nafta baasil toodetel, läbitungivatel õilidel jms puutuda kokku plastosadega. Kemikaalid võivad plastikut vigastada, nõrgestada või hävitada, mille tulemusena võivad tekkida tõsised isikuvigastused.

HOIUSTAMINE

- Ühendage akuplokk puhuri küljest lahti.
- Eemaldage puhuri õhusissevõtuavadelt võõrkehade.
- Hoidke puhurit sisetingimustes ja lastele kättesaamatus kohas. Hoidke puhurit eemal korrodeerivatest ainetest (nt aiakemikaalid ja jääsulatussoolad).

keskkonnasõbralikul viisil.

Kui elektriseadmed maetakse maa sisse või viiakse prügimäele, võivad ohtlikud ained põhjavette lekkida ja toiduahelasse sattuda ning kahjustada teie tervist ja heaolu.

TÖRKEOTSING

PROBLEEM	PÕHJUS	LAHENDUS
Puhur ei tööta.	<ul style="list-style-type: none"> ■ Akuplokk pole puhuriga ühendatud. ■ Puhuri ja aku vahel puudub elektriline ühendus. ■ Akuplokk on tühi. ■ Akuplokk või puhur on liiga kuum. ■ Kiiruse / lukustamise nupp ei olnud enne puhuri sisselülitamist asendis „väljas“. 	<ul style="list-style-type: none"> ■ Kinnitage akuplokk puhuri külge. ■ Eemaldage aku, kontrollige ühendusi ja paigaldage akuplokk tagasi. ■ Laadige akuplokk. ■ Jahutage akuplokki ja puhurit kuni temperatuur langeb alla 67°C. Kaitse deaktiveerimiseks vajutage õhukiiruse päästikut ja käivitage puhur või keerake kiiruse / lukustamise nupp esmalt asendisse „väljas“.
Puhumiskiirus väheneb oluliselt.	<ul style="list-style-type: none"> ■ Mootori ventilaator on väga kulunud. ■ Õhu sisselaskeava on mustust täis. 	<ul style="list-style-type: none"> ■ Võtke ühendust EGO hoolduskeskusega ja leppige kokku remondiaeg. ■ Ühendage akuplokk lahti ja puhastage.

GARANTII

EGO GARANTIIPÕHIMÕTTED

Täielikud EGO garantiitingimused leiata veebilehelt egopowerplus.com.

ПРОЧИТАЙТЕ ВСІ ІНСТРУКЦІЇ



ПРОЧИТАЙТЕ ПОСІБНИК З ЕКСПЛУАТАЦІЇ

ПРИМІТКА. Ці інструкції також доступними в альтернативному форматі, наприклад на веб-сайті.

⚠ Залишковий ризик! Люди з електронними пристроями, наприклад кардіостимуляторами, повинні проконсультуватися зі своїм лікарем (лікарями) перед використанням цього виробу. Експлуатація електрообладнання в безпосередній близькості від кардіостимулятора може спричинити перешкоди або несправність кардіостимулятора.

⚠ ПОПЕРЕДЖЕННЯ. Для гарантування безпеки та надійності всі роботи з ремонту та заміни повинен проводити кваліфікований технічний спеціаліст.

СИМВОЛИ, ЩО СТОСУЮТЬСЯ БЕЗПЕКИ

Мета символів, пов'язаних із безпекою, – привертнути вашу увагу до можливих небезпек. Символи безпеки та їхнє пояснення заслуговують на вашу пильну увагу та розуміння. Символи попереджень самі по собі не усувають будь-якої небезпеки. Інструкції та попередження, які вони надають, не замінюють належних заходів щодо запобігання аваріям.

⚠ ПОПЕРЕДЖЕННЯ. Перш ніж користуватися цим інструментом, обов'язково ознайомтеся з усіма інструкціями з безпеки, наведеними в цьому посібнику користувача, зокрема з усіма символами попереджень, такими як «**НЕБЕЗПЕКА**», «**ПОПЕРЕДЖЕННЯ**» та «**ЗАСТЕРЕЖЕННЯ**». Недотримання наведених нижче вказівок може спричинити ураження електричним струмом, пожежу та/або серйозні травми.

ПОВІДОМЛЕННЯ ЩОДО ЗАПОБІГАННЯ ЗАПОДІЯННЮ ШКОДИ ТА ІНФОРМАЦІЙНІ ПОВІДОМЛЕННЯ

Вони повідомляють користувачеві важливу інформацію та/або вказівки, які можуть призвести до пошкодження обладнання або іншого майна, якщо цих вказівок не буде дотримано. Кожному повідомленню передє слово «ПРИМІТКА», як у прикладі нижче:

ПРИМІТКА. Невиконання цих вказівок може призвести до пошкодження обладнання та/або майна.



⚠ ПОПЕРЕДЖЕННЯ.

Використання будь-яких електроінструментів може призвести до потрапляння сторонніх предметів в очі, що може спричинити серйозне пошкодження очей. Перед початком експлуатації електроінструмента завжди надягайте закриті захисні окуляри або відкриті захисні окуляри з бічними щитами та, якщо потрібно, повнопрофільну захисну маску. Ми рекомендуємо захисну маску широкого розміру для використання поверх окулярів або стандартні відкриті захисні окуляри з бічними щитами.

ВКАЗІВКИ З ТЕХНІКИ БЕЗПЕКИ

На цій сторінці зображено та описано символи, пов'язані з безпекою, які можуть відобразитись на цьому виробі. Перш ніж намагатися зібрати та експлуатувати його, ознайомтеся з усіма інструкціями на машині та дотримуйтесь їх.

	Попередження щодо безпеки	Запобіжні заходи, що стосуються вашої безпеки.
	Надягайте засоби захисту очей	Працюючи з цим виробом, завжди носіть закриті захисні окуляри чи відкриті захисні окуляри з бічними щитами або повнопрофільну захисну маску.
	Надягайте засоби захисту органів слуху	Під час роботи з цим виробом завжди використовуйте засоби захисту органів слуху.
	Прочитайте посібник з експлуатації	Щоб зменшити ризик травмування, користувач повинен прочитати посібник з експлуатації перед використанням цього виробу.
	Тримайте сторонні подалі	Тримайте сторонні не ближче як за 15 метрів.
V	Вольти	Напряга
A	Ампера	Струм

UK

Hz	Герци	Частота (число циклів за секунду)
W	Вати	Потужність
min	Хвилини	Час
m ³ /h	Кубічний метр на годину	Об'єм повітря
km/h	Кілометри на годину	Швидкість повітря
~	Змінний струм	Тип струму
— — —	Постійний струм	Тип або характеристика струму
n ₀	Швидкість холостого ходу	Обертowa швидкість без навантаження
.../min	На хвилину	Обертів на хвилину

Під час використання електроприладу завжди слід дотримуватися основних запобіжних заходів, зокрема:

ЗАГАЛЬНІ ПОПЕРЕДЖЕННЯ ЩОДО ТЕХНІКИ БЕЗПЕКИ РОБОТИ З ЕЛЕКТРОІНСТРУМЕНТАМИ

▲ ПОПЕРЕДЖЕННЯ. ПРОЧИТАЙТЕ ВСІ ПОПЕРЕДЖЕННЯ БЕЗПЕКИ, ІНСТРУКЦІЇ, ІЛЮСТРАЦІЇ ТА ХАРАКТЕРИСТИКИ, НАДАНІ З ЦИМ ЕЛЕКТРОІНСТРУМЕНТОМ. Недотримання наведених нижче вказівок може спричинити ураження електричним струмом, пожежу та/або серйозні травми

ЗБЕРІГАЙТЕ ВСІ ЗАСТЕРЕЖЕННЯ ТА ІНСТРУКЦІЇ ДЛЯ ПОДАЛЬШОГО ВИКОРИСТАННЯ.

Термін «електроінструмент» у попередженнях стосується електричного інструмента, що працює від електромережі (через шнур) або від акумулятора (без шнура).

UK

БЕЗПЕКА В РОБОЧІЙ ЗОНІ

- **Робоче місце має бути чистим і гарно освітленим.** Неприбрана або погано освітлена робоча зона може стати причиною нещасного випадку.
- **Не працюйте з інструментом у вибухонебезпечному середовищі, наприклад за наявності легкозаймистих рідин, бензину або пилу.** Під час роботи електроприладу утворюються іскри, від яких можуть зайнятися пил або випари.

- **Дітям і спостерігачам заборонено перебувати поруч з електроінструментом, що працює.** Це може відволікати вас і призвести до втрати контролю.

ЕЛЕКТРИЧНА БЕЗПЕКА

- **Штепсельні вилки електроінструмента мають підходити до розеток.** Заборонено модифікувати вилку будь-яким чином. Не використовуйте жодні штепселі-перехідники для роботи з заземленими електроінструментами. Штепселі та розетки, в які не вносилися зміни, зменшують ризик ураження електричним струмом.
- **Уникайте контакту частин тіла із заземленими поверхнями, такими як труби, батареї, плити й холодильники.** У разі заземлення тіла збільшується ризик ураження електричним струмом.
- **Бережіть електроінструмент від дощу та вологи.** Вода, що потрапила в електроінструмент, підвищує ризик ураження електричним струмом.
- **Не використовуйте шнур із порушенням норм експлуатації.** Не використовуйте шнур живлення для перенесення чи перетягування інструмента та виїмання вилки з розетки. Шнур потрібно оберігати від дії тепла, від гострих кутів та рухомих частин. Пошкоджені або заплутані шнури живлення підвищують ризик ураження електричним струмом.
- **Під час роботи з електроінструментом надворі використовуйте подовжувач, призначений для зовнішніх робіт.** Використання шнура, призначеного для зовнішніх робіт, зменшує ризик ураження електричним струмом.
- **Якщо роботи з електроінструментом у вологому середовищі не уникнути, скористайтеся вимикачем короткого замикання на землю.** Використання ВКЗЗ зменшує ризик ураження електричним струмом.

ІНДИВІДУАЛЬНА ТЕХНІКА БЕЗПЕКИ

- **Під час роботи з електроінструментом будьте уважними, слідкуйте за своїми діями та мисліть розсудливо.** Не працюйте з електроінструментом, якщо ви втомлені або перебуваєте під дією наркотичних речовин, алкоголю чи ліків. Навіть миттєва втрата пильності під час роботи з електроінструментами може стати причиною важкої травми.
- **Використовуйте засоби особистого захисту.** Завжди носіть засоби захисту очей. Використання у відповідних умовах таких захисних засобів як протипиловий респіратор, неслизьке захисне взуття, шолом-каска і навушники допоможе зменшити ризик травмування.

- Уникайте випадкового запуску. Перш ніж підключати електроінструмент до мережі живлення чи акумулятора, брати чи переносити його, перевірте, чи встановлено перемикач у положення «вимкнено». Якщо переносити електроінструмент, тримаючи палець на перемикачі живлення, або підключати його до джерела живлення, коли перемикач живлення перебуває в положенні «увімкнено», це може призвести до травмування.
- Перш ніж вмикати електроінструмент, слід зняти всі регульовальні клини або гайкові ключі. Якщо залишити такий ключ на рухомій частині електроінструмента, це може призвести до травмування.
- Не дотягуйтесь. Завжди міцно стійте на ногах і втримуйте рівновагу. Це дає змогу краще керувати електроінструментом у разі виникнення непередбачуваних ситуацій.
- Одягайтеся належним чином. Не носіть вільного одягу або прикрас. Стежте за тим, щоб волосся, одяг та рукавиці не потрапили на рухомі частини. Вільний одяг, прикраси або довге волосся можуть потрапити в рухомі частини.
- Якщо пристрої обладнано системою видалення пилу, переконайтеся, що її правильно підключено і що ви використовуєте її належним чином. Використання пристрою для збирання пилу може зменшити безпеку, пов'язану з пилом.
- Не дозволяйте навичкам, отриманим після частого використання інструментів, змусити вас стати самовпевненими та ігнорувати принципи безпеки інструмента. Недбала дія може спричинити серйозну травму протягом долі секунди.
- Перш ніж проводити будь-які налаштування, замінювати приладдя, а також перед зберіганням вийміть штепсель із розетки або акумулятор з інструмента. Такі запобіжні заходи техніки безпеки зменшують ризик випадкового запуску електроінструмента.
- Тримайте інструмент, що не використовується, подалі від дітей і не дозволяйте особам, які не мають досвіду роботи з такими інструментами або не знайомі з цими інструкціями, користуватись електроінструментом. Електроінструменти становлять небезпеку в руках недосвідчених користувачів.
- Виконуйте належне технічне обслуговування електроінструментів. Перевіряйте їх на предмет розладнання чи блокування рухомих частин, а також будь-яких обставин, які можуть вплинути на роботу інструмента. У разі пошкодження електроінструмент слід здати в ремонт, перш ніж користуватися ним. Часто нещасні випадки трапляються внаслідок неналежного технічного обслуговування електроінструментів.
- Тримайте ріжучі інструменти гострими й чистими. Належним чином доглянуті ріжучі інструменти з гострими ріжучими краями рідше блокуються, і ними легше керувати.
- Користуйтеся електроінструментом, аксесуарами та насадками для інструмента згідно з цією інструкцією, зважаючи на робочі умови та роботу, яку слід виконати. Використання електроінструмента всупереч призначенню може стати причиною виникнення небезпечних ситуацій.
- Підтримуйте руків'я та захватні поверхні сухими, чистими, без жиру і бруду. Slipзійкі ручки та захватні поверхні не дають змоги безпечно тримати та керувати інструментом у непередбачених ситуаціях.

ВИКОРИСТАННЯ ТА ДОГЛЯД ЗА ЕЛЕКТРОІНСТРУМЕНТОМ

- Не застосовуйте силу до електроінструмента. Використовуйте належний електроінструмент відповідно до потреби. Правильно підібраний електроінструмент допоможе краще і безпечніше зробити роботу із швидкістю, яка для неї передбачена.
- Не використовуйте електроінструмент, якщо перемикач не вмикає або не вимикає його. Усі електроінструменти, якими неможливо керувати за допомогою перемикача, становлять небезпеку й підлягають ремонту.

КОРИСТУВАННЯ І ДОГЛЯД ЗА АКУМУЛЯТОРНИМ ІНСТРУМЕНТОМ

- Заряджайте лише за допомогою зарядного пристрою, указанного виробником. Зарядний пристрій, який підходить для акумуляторів одного виду, може викликати ризик пожежі у випадку його використання з іншим акумулятором.
- З електроінструментами слід використовувати лише призначені для них акумуляторні батареї. Використання будь-яких інших акумуляторних батарей може призвести до травми або пожежі.

UK

- Коли батарея не використовується, її слід тримати окремо від металевих предметів, наприклад затискачів для паперу, монет, ключів, цвяхів, шурупів та інших дрібних предметів, які можуть замкнути клеми. Коротке замикання клем акумулятора може стати причиною опіків чи пожежі.
- У надто важких умовах експлуатації з акумулятора може витікати рідина; не доторкайтесь до неї. Якщо випадково ви все ж торкнулися її, слід промити це місце водою. Якщо рідина потрапила в очі, слід також звернутися до лікаря. Рідина, яка виступає з акумулятора, може спричинити подразнення або опіки.
- Не використовуйте акумуляторну батарею або інструмент, які пошкоджено або змінено. Пошкоджені або змінені батареї можуть мати непередбачувану поведінку, що може спричинити пожежу, вибух або ризик травмування.
- Не піддавайте акумуляторну батарею або інструмент дії вогню або високих температур. Вогонь або температура вище 130°C може спричинити вибух.
- Дотримуйтесь усіх інструкцій щодо заряджання та не заряджайте акумуляторну батарею або інструмент за межами температурного діапазону, зазначеного в інструкціях. Зарядження неналежним чином або при температурах за межами вказаного діапазону може пошкодити акумулятор і збільшити ризик виникнення пожежі.

СЕРВІС

- Обслуговування електроінструмента повинен виконувати кваліфікований ремонтник із використанням лише ідентичних запасних частин. Це забезпечить нормальну роботу електроінструмента.
- Ніколи не ремонтуйте пошкоджені акумулятори. Сервісне обслуговування акумуляторних батарей має виконувати лише виробник або авторизовані постачальники послуг.

UK

ПРОЧИТАЙТЕ ВСІ ІНСТРУКЦІ ПЕРЕД ВИКОРИСТАННЯМ ЦЬОГО ВИРОБУ!

НАВЧАННЯ

- Ніколи не дозволяйте дітям, особам з обмеженими фізичними, сенсорними або розумовими можливостями, відсутністю досвіду та знань або людям, не ознайомленим із цими інструкціями, використовувати інструмент.

- Оператор або користувач несе відповідальність за нещасні випадки або виникнення непередбачених ситуацій з іншими людьми або їхнім майном.

ПІДГОТОВКА

- Електроінструмент можна використовувати в умовах дощу або у вологих умовах. Висушіть електроінструмент після закінчення роботи.
- Перед використанням перевірте батареї або акумулятори на наявність пошкоджень. Не використовуйте прилад, якщо батареї або акумулятор пошкоджено.

ЕКСПЛУАТАЦІЯ

- Електроінструмент можна використовувати в умовах дощу або у вологих умовах. Висушіть електроінструмент після закінчення роботи.
- Від'єднайте батареї або акумулятори:
 1. залишаючи інструмент;
 2. перед очищенням засмічення;
 3. перед перевіркою, чищенням або роботою в самому інструменті;
 4. якщо прилад починає незвично вібрувати.
- Завжди зберігайте стійке положення ніг на схилах.
- Ходіть, не біжіть.
- Оберігайте всі охолоджувальні повітрязабірники від засмічення.
- Рекомендується експлуатувати інструмент лише у відповідний час – не рано вранці чи пізно ввечері, коли це може потурбувати інших людей.
- Рекомендується злегка зволожити поверхню в запилених умовах або використовувати насадку для дрібнокрапельного обприскування.

⚠ ПОПЕРЕДЖЕННЯ. Небезпека від деталей, що обертаються!

- Використовуйте повне подовження сопла повітродувки, щоб потік повітря працював близько до землі.
- Не використовуйте пристрій біля відкритих вікон тощо.

ТЕХНІЧНЕ ОБСЛУГОВУВАННЯ ТА ЗБЕРІГАННЯ

- Тримайте всі гайки, болти та гвинти щільно затягнутими для утримання пристрою в безпечному робочому стані.

- Замінійте зношені або пошкоджені деталі.
- Використовуйте лише справжні запасні деталі та аксесуари.
- Зберігайте пристрій у сухому місці.

⚠ ПОПЕРЕДЖЕННЯ. Щоб зменшити ризик пожежі, ураження електричним струмом або травми:

ВАЖЛИВО

ПРОЧИТАЙТЕ УВАЖНО ПЕРЕД ВИКОРИСТАННЯМ.

ЗБЕРІГАЙТЕ ДЛЯ ПОДАЛЬШОГО КОРИСТУВАННЯ.

- Не допускайте, щоб повітродувка використовувалася як іграшка. Необхідна пильна увага, коли вона використовується дітьми або біля них.
- Якщо повітродувка не працює належним чином, упала, пошкоджена або потрапила у воду, поверніть її до сервісного центру.
- Не вставляйте жодні предмети в будь-які отвори. Не використовуйте, коли будь-який отвір заблоковано; бережіть отвори від пилу, ворсу, волосся та всього іншого, що може зменшити потік повітря.
- Будьте особливо обережні під час прибирання на сходах.
- Не залишайте повітродувку без нагляду, коли штепсель акумулятора вставлено. Вийміть акумулятор, коли повітродувка не використовується, і перед обслуговуванням.
- Не торкайтеся зарядного пристрою, зокрема його вилки або клем, мокрими руками.
- Не заряджайте акумуляторну батарею надворі.

⚠ ПОПЕРЕДЖЕННЯ.

- Акумуляторну батарею потрібно виняти з приладу, перш ніж викидати його.

- Акумулятори необхідно утилізувати безпечно.

- НЕ намагайтесь очистити засмічення в пристрої, попередньо не винявши акумулятор.

- Підтримуйте повітродувку і її руків'я сухими, чистими, без жиру і бруду. Завжди використовуйте чисту ганчірку для чищення. Ніколи не використовуйте гальмівні рідини, бензин, нафтові продукти або будь-які міцні розчинники для очищення повітродувки. Дотримання цього правила зменшить ризик утрати контролю та пошкодження пластикової оболонки.
- Батареї можуть вибухнути в присутності джерела займання, наприклад індикатора. Щоб зменшити ризик серйозного травмування, ніколи не використовуйте бездротовий пристрій у присутності відкритого полум'я. Вибухла батарея може розповсюджувати сміття та хімічні речовини. У разі виявлення негайно змийте водою.
- Ніколи не запускайте пристрій, не прикріпивши відповідне обладнання. Завжди перевіряйте, чи трубку повітродувки встановлено.
- Ніколи не використовуйте повітродувку біля вогню або гарячого попелу. Використання поблизу вогню або попелу може поширити вогонь і призвести до серйозних травм та/або пошкодження майна.
- Ніколи не використовуйте повітродувку для розповсюдження хімікатів, добрив та будь-яких інших токсичних речовин. Розповсюдження цих речовин може призвести до серйозної травми оператора або сторонніх спостерігачів.
- Збережіть цю інструкцію. Часто переглядайте та використовуйте її, щоб навчати інших, хто може використовувати цей інструмент. Якщо ви надаєте комусь цей інструмент, надайте їм ці інструкції, щоб запобігти неналежному використанню виробу та можливим травмам.

ЗБЕРЕЖІТЬ ЦЮ ІНСТРУКЦІЮ!

ТЕХНІЧНІ ХАРАКТЕРИСТИКИ

Напруга	56V
Об'єм повітря	986 м³/год
Діапазон рекомендованих робочих температур	-15°C–40°C
Діапазон рекомендованих температур зберігання	-20°C–70°C
Максимальна швидкість повітря	65m/s (без круглих форсунок)
	75m/s (3 круглою насадкою)

UK

Приблизний час роботи (з акумулятором EGO на 5.0 А•год)	18 хв (посилений режим)
	30 хв (висока швидкість)
	200 хв (низька швидкість)
Максимальна сила повітродувки	18N
Вага повітродувки(без акумулятора)	2,18 кг
Вимірний рівень звукової потужності L_{WA}	94,73 дБ(А) K=2,83 дБ(А)
Рівень звукового тиску на місці вуха оператора L_{PA}	78,4 дБ(А) K=2,5 дБ(А)
Гарантований рівень звукової потужності L_{WA} (відповідно до 2000/14/ЕС)	98 дБ(А)
Вібрація a_n	0,505 м/с ² K=1,5 м/с ²

- Вказане загальне значення вібрації виміряне за стандартним методом тестування і може використовуватися для порівняння одного інструмента з іншим;
- Заявлене сумарне значення вібрації може також використовуватись для попередньої оцінки впливу.

ПРИМІТКА. Емісія вібрації під час фактичного використання електроінструмента може відрізнятися від заявленої величини, у якій використовується інструмент. Щоб захистити оператора, користувач повинен вдягати рукавички та захисні навушники в реальних умовах використання.

СПИСОК ПРЕДМЕТІВ, ЩО ВХОДЯТЬ У КОМПЛЕКТ

НАЗВА ДЕТАЛІ	КІЛЬКІСТЬ
Повітродувка	1
Трубка повітродувки	1
Насадка-сопло	2
Посібник користувача	1

ОПИС

ОЗНАЙОМЛЕННЯ З ПОВІТРОДУВКОЮ (рис. А)

1. Плоска насадка
2. Кругла насадка
3. Трубка повітродувки

4. Кнопка звільнення трубки
5. База
6. Повітрязабірник
7. Зняття акумулятора
8. Електричні контакти
9. Засувка
10. Кнопка звільнення батареї
11. Тригер швидкості повітря
12. Кнопка посилення
13. Регулятор швидкості/фіксатор

▲ ПОПЕРЕДЖЕННЯ. Для безпечного використання цього виробу потрібне розуміння інформації на інструменті та в цьому посібнику користувача, а також знання про проект, який ви намагаєтесь виконати. Перед використанням цього виробу ознайомтеся з усіма функціями та правилами техніки безпеки.

ЗБИРАННЯ

▲ ПОПЕРЕДЖЕННЯ. Якщо якісь частини пошкоджені або відсутні, не користуйтеся цим інструментом, доки вони не будуть замінені. Використання цього виробу з пошкодженими або відсутніми деталями може призвести до серйозних травм.

▲ ПОПЕРЕДЖЕННЯ. Не намагайтеся вдосконалити цю повітродувку або застосувати приладдя, не рекомендоване для неї. Кожна така заміна чи переробка є фактом неправильного користування, створює небезпечні умови й загрожує серйозними травмами.

▲ ПОПЕРЕДЖЕННЯ. Щоб запобігти випадковому запуску, що може спричинити серйозні травми, завжди виймайте акумулятор з інструмента під час збирання деталей.

ЗАСТОСУВАННЯ

Ви можете використовувати цей виріб для цілей, перелічених нижче:

- Очищення твердих поверхонь, таких як під'їзні шляхи та пішохідні доріжки.
- Прибирання листя та хвої з під'їзних шляхів і настилів.

ПРИМІТКА. Цей інструмент має використовуватись тільки за призначенням. Будь-яке інше використання вважається випадком використання не за призначенням.

УСТАНОВЛЕННЯ/ЗНЯТТЯ ТРУБКИ ПОВІТРОДУВКИ

■ Установлення (рис. В & С)

Вирівняйте паз і натисніть трубку на корпус повітродувки, доки не почуєте «кляцання».

■ Зняття (рис. D)

Натисніть кнопку звільнення трубки та витягніть трубку.

УСТАНОВЛЕННЯ/ЗНЯТТЯ КРУГЛОЇ/ПЛОСКОЇ НАСАДКИ ПОВІТРОДУВКИ

■ Установлення (рис. E & F)

Вирівняйте паз у соплі-розсіювачі ручкою трубки і насуньте сопло на трубку, доки воно не зафіксується на місці.

Зняття (рис. G)

Натисніть і утримуйте кнопку відпускання сопла, щоб відкрити фіксатор, потім витягніть сопло прямо з повітродувки.

ПРИМІТКА. Дотримуйтесь тієї ж послідовності, щоб установити або зняти плоску насадку.

УСТАНОВЛЕННЯ/ВИЙМАННЯ АКУМУЛЯТОРНОЇ БАТАРЕЇ

Зарядіть перед першим використанням.

Використовуйте лише акумулятори та зарядні пристрої, перелічені на рис. А.

■ Установлення (рис. H)

Вирівняйте виступи на акумуляторі з кріпильними отворами та натисніть на акумуляторну батарею, доки не почуєте «кляцання».

■ Видалення (рис. I)

Натисніть кнопку звільнення акумулятора та витягніть акумуляторну батарею.

⚠ ПОПЕРЕДЖЕННЯ. Завжди звертайте увагу на розташування своїх ніг, дітей або домашніх тварин, коли натискаєте кнопку звільнення батареї. Падіння акумуляторної батареї може призвести до серйозної травми. НІКОЛИ не виймайте акумуляторну батарею у високо розташованому місці.

Рис. H – див. опис деталей нижче:

H-1	Кнопка звільнення батареї	H-3	Кріпильний отвір
H-2	Виступ на акумуляторі		

ЗАПУСК/ЗУПИНКА ПОВІТРОДУВКИ (рис. J)

■ Лише тригер швидкості повітря

1. Натисніть тригер швидкості повітря, щоб увімкнути повітродувку.
2. Швидкість повітря з повітродувки регулюється за допомогою тригера зі змінною швидкістю. Більший тиск на тригер підвищує швидкість подачі повітря; менший тиск на тригер знижує швидкість подачі повітря. Відрегулюйте швидкість відповідно до поставленого завдання.
3. Відпустіть тригер швидкості повітря, щоб вимкнути повітродувку.

■ Лише ручка регулятора швидкості/фіксатора

Повітродувку можна ввімкнути та зафіксувати на будь-якій швидкості за допомогою ручки регулювання швидкості/фіксації.

1. Для запуску повітродувки поверніть регулятор швидкості/фіксатор за годинниковою стрілкою. Швидкість повітря збільшиться, якщо повернути регулятор за годинниковою стрілкою.
2. Щоб зменшити швидкість повітря, поверніть регулятор швидкості/фіксатор проти годинникової стрілки.
3. Продовжуйте повертати регулятор швидкості/фіксатор проти годинникової стрілки до положення «Вимкнено», щоб зупинити повітродувку.

ПРИМІТКА. Якщо перед увімкненням повітродувки регулятор швидкості/фіксатор не повернено до вимкненого положення, повітродувка не запуститься за допомогою регулятора швидкості/фіксатора, коли буде встановлено заряджену батарею. Це захисна функція, яка допоможе вам запобігти випадковому запуску. Натисніть важіль швидкості повітря, щоб вимкнути захист.

Натисніть кнопку посилення, щоб тимчасово збільшити швидкість повітря до максимального рівня. Повітродувка відновить попередню швидкість, коли кнопку посилення буде відпущено.

Рис. J – див. опис деталей нижче:

J-1	Регулятор швидкості/фіксатор	J-3	Тригер швидкості повітря
J-2	Кнопка посилення		

UK

Поради з використання повітродувки

- Щоб уникнути розсипання сміття, обдувайте навколо зовнішніх країв купи сміття. Ніколи не дуйте прямо в центр купи.

- Щоб зменшити рівень шуму, обмежте кількість одиниць обладнання, яке використовується одночасно.
- Використовуйте граблі та мітли, щоб сміття легко відставало від землі, перед видуванням. У пильних умовах, якщо доступна вода, злегка змочіть поверхню.
- Стежте за дітьми, домашніми тваринами, відкритими вікнами чи свіжопомитими автомобілями та видуйте сміття безпечно.
- Після використання повітродувки або іншого обладнання прибирайте! Викидайте сміття належним чином.
- Не рекомендується користуватися повітродувкою на високій швидкості протягом тривалого часу, оскільки велика вібрація та шум можуть завдати шкоди вашому здоров'ю.

ТЕХНІЧНЕ ОБСЛУГОВУВАННЯ

⚠ ПОПЕРЕДЖЕННЯ. Використовуйте для технічного обслуговування лише ідентичні запчастини. Використання будь-яких інших частин створює небезпеку або може призвести до поломки виробу. Для гарантування безпеки та надійності всі ремонтні роботи повинен проводити кваліфікований технічний спеціаліст.

⚠ ПОПЕРЕДЖЕННЯ. Щоб уникнути серйозних травм, завжди виймайте акумуляторну батарею з виробу, перш ніж чистити або виконувати будь-яке технічне обслуговування.

ЗАГАЛЬНИЙ ТЕХНІЧНИЙ ДОГЛЯД

Не застосовуйте розчинники, коли чистите пластмасові деталі. Більшість пластмас чутливі до різноманітних промислових розчинників і можуть бути ними пошкоджені. Для видалення бруду, пилу, мастила тощо користуйтеся чистою ганчіркою.

⚠ ПОПЕРЕДЖЕННЯ. Ніколи не допускайте контакту пластмасових частин із гальмівною рідиною, бензином, нафтопродуктами, проникаючими оліями і т. ін. Хімікати можуть пошкодити, ослабити або зруйнувати пластмасу, а це загрожує серйозними травмами.

ЗБЕРІГАННЯ

- Вийміть акумуляторну батарею з повітродувки.
- Прибирайте всі сторонні матеріали з повітрозабірних отворів повітродувки.
- Зберігайте в місці, недоступному для дітей. Тримайте подалі корозійні агенти, такі як садові хімікати та солі проти ожелєді.

Захист довкілля



Не викидайте електричне обладнання, зарядний пристрій та батарейки/акумулятори в побутові відходи!

Відповідно до європейського закону 2012/19/ЄС електричне та електронне обладнання, яке більше не придатне для використання, і згідно з європейським законом 2006/66/ЄС дефектні або використані акумуляторні батареї мають збиратись окремо та утилізуватись у правильний з екологічної точки зору спосіб.

Якщо електричний пристрій утилізується на сміттєзвалищі, небезпечні речовини можуть витікати в ґрунтові води та потрапити в харчовий ланцюг, що може зашкодити вашому здоров'ю та самопочуттю.

УСУНЕННЯ НЕСПРАВНОСТЕЙ

НЕСПРАВНІСТЬ	ПРИЧИНА	ВИРІШЕННЯ
Повітродувка не працює.	<ul style="list-style-type: none"> ■ Акумуляторна батарея не приєднана до повітродувки. ■ Немає електричного контакту між повітродувкою і батареєю. ■ Акумуляторна батарея розряджена. ■ Акумулятор або повітродувка занадто гарячі. ■ Перед увімкненням повітродувки регулятор швидкості/фіксатор не повернено до вимкненого положення. 	<ul style="list-style-type: none"> ■ Під'єднайте акумулятор до повітродувки. ■ Вийміть акумулятор, перевірте контакти та знову встановіть акумулятор. ■ Зарядіть акумуляторну батарею. ■ Остудіть акумулятор і повітродувку, доки температура не опуститься нижче 67 °С. Натисніть важіль швидкості повітря, щоб вимкнути захист і запустити вентилятор, або спочатку поверніть регулятор швидкості/фіксатор у положення «Вимкнено».
Швидкість повітря значно зменшується.	<ul style="list-style-type: none"> ■ Надмірне зношення моторного вентилятора. ■ Повітрязбірник заблоковано сміттям. 	<ul style="list-style-type: none"> ■ Зверніться до сервісного центру EGO для ремонту. ■ Вийміть акумуляторну батарею, очистьте від сміття.

ГАРАНТІЯ

ПРАВИЛА ГАРАНТІЇ EGO

Будь ласка, відвідайте веб-сайт egopowerplus.com для отримання повних умов гарантійної політики EGO.

ПРОЧЕТЕТЕ ВСИЧКИ ИНСТРУКЦИИ)



ПРОЧЕТЕТЕ РЪКОВОДСТВОТО НА ОПЕРАТОРА

ЗАБЕЛЕЖЕТЕ: Тези инструкции също са налични в алтернативен формат, напр. на уебсайт.

⚠️ Остатъчен риск! Хора с електронни устройства, като пейсмейкър трябва да се консултират с лекуващия(те) си лекар(и) преди употреба на този продукт. Работата с електрическо оборудване в непосредствена близост до сърдечен пейсмейкър може да предизвика смущение или неизправност на пейсмейкъра.

⚠️ ПРЕДУПРЕЖДЕНИЕ: За да осигурите безопасността и надеждността, всички поправки и подмени трябва да се извършват от квалифициран сервизен техник.

СИМВОЛИ ЗА БЕЗОПАСНОСТ

Целта на символите за безопасност е да превличат вниманието към възможни опасности. Символите за безопасност и обясненията към тях заслужават вашето повишено внимание и осъзнаване. Символите за безопасност сами по себе си не елиминират каквато и да е опасност. Инструкциите и предупрежденията, които предоставят не са заместители за подходящите мерки за предотвратяване на инцидент.

⚠️ ПРЕДУПРЕЖДЕНИЕ: Уверете се, че сте прочели и осъзнали всички инструкции за безопасност в това Ръководство на оператора, включително всички известяващи символи за безопасност, като "ОПАСНОСТ", "ПРЕДУПРЕЖДЕНИЕ," и "ВНИМАНИЕ" преди да използвате този инструмент. Неспазването на всички инструкции изброени долу може да доведе до електрически шок, пожар и/или сериозно нараняване.

ПРЕДОТВРЯВАНЕ НА ПОВРЕДА И ИНФОРМАЦИОННИ СЪОБЩЕНИЯ

Това информира потребителя за важна информация и/или инструкции, които могат да доведат до повреда на оборудването или на друго имущество, ако не се следват. Всяко съобщение се предхожда от думата „ЗАБЕЛЕЖЕТЕ“, като в примера долу:

ЗАБЕЛЕЖЕТЕ: Повреди по оборудването и/или по имуществото може да възникнат, ако тези инструкции не се спазват.



⚠️ ПРЕДУПРЕЖДЕНИЕ:

Експлоатацията на всички електрически инструменти, може да доведе до изхвърляне на чужди предмети към вашите очи, което може да доведе до сериозно нараняване на окото. Преди започване на работа с електрически инструмент, винаги носете предпазни очила със странична защита и визьор за цялото лице, когато е необходимо. Ние препоръчваме предпазна маска с широк визьор за употреба над очила или стандартни предпазни очила със странична защита.

ИНСТРУКЦИИ ЗА БЕЗОПАСНОСТ

Тази страница изобразява и описва символите за безопасност, които може да се появят по този продукт. Прочетете, осъзнайте и следвайте всички инструкции по машината преди предприемане на сглобяване или работа.

	Сигнал за безопасност	Предпазни мерки, които засягат Вашата безопасност.
	Носете защита за очите	Винаги носете предпазни очила със странична защита и предпазен екран за цялото лице, когато работите с този продукт.
	Носете защита за слуха	Винаги носете защита за слуха, когато работите с този продукт.
	Прочетете ръководството на оператора	За намаляване на опасността от нараняване, потребителят трябва да прочете ръководството на оператора преди използването на този продукт.
	Дръжте околните хора надалеч	Дръжте околните настрани поне на 15 м.
V	Волта	Напрежение
A	Ампера	Ток
Hz	Херца	Честота (цикъл за минута)
W	Вата	Мощност

min	Минути	Време
m ³ /h	Кубичен метър за час	Обем въздух
km/h	Километра в час	Скорост на въздуха
	Променлив ток	Вид ток
	Постоянен ток	Вид или характеристика на тока
n ₀	Скорост без натоварване	Скорост на въртене без товар
.../min	на минута	Обороти в минута

Когато използвате електрически уред, трябва винаги да се следват основните предпазни мерки, включително следните:

ОБЩИ ПРЕДУПРЕЖДЕНИЯ ЗА БЕЗОПАСНОСТ НА ЕЛЕКТРИЧЕСКИ ИНСТРУМЕНТИ

▲ ПРЕДУПРЕЖДЕНИЕ: ПРОЧЕТЕТЕ ВСИЧКИ ПРЕДУПРЕЖДЕНИЯ ЗА БЕЗОПАСНОСТ, ИНСТРУКЦИИ, ИЛЮСТРАЦИИ И СПЕЦИФИКАЦИИ ПРЕДОСТАВЕНИ С ТОЗИ ЕЛЕКТРИЧЕСКИ ИНСТРУМЕНТ. Неспазването на всички инструкции изброени долу може да доведе до токов удар, пожар и/или сериозно нараняване.

ЗАПАЗЕТЕ ВСИЧКИ ПРЕДУПРЕЖДЕНИЯ И ИНСТРУКЦИИ ЗА БЪДЕЩА СПРАВКА.

Терминът “Електрически инструмент” в предупрежденията се отнася до захранвани от мрежата (кабелни) електрически инструменти или захранвани чрез батерия (безкабелни) електрически инструменти.

БЕЗОПАСНОСТ В РАБОТНАТА ЗОНА

- **Поддържайте работната зона чиста и добре осветена.** Разхвърляни или тъмни работни зони пораждат инциденти.
- **Не работете с електрически инструменти в експлозивна атмосфера, като например в присъствието на запалими течности, бензин или прах.** Електрическият инструмент създава искра, която може да възпламени праха или изпаренията.
- **Дръжте на разстояние децата и страничните лица, докато работите с електрически инструмент.** Разсейването може да причини загуба на контрол.

ЕЛЕКТРИЧЕСКА БЕЗОПАСНОСТ

- **Щепселите на електроинструмента трябва да съответстват на контакта. Никога не модифицирайте щепсела по какъвто и да е начин. Не използвайте какъвто и да е адаптер със заземени електрически инструменти.** Немодифицираните щепсели и съответстващите контакти ще намалят риска от електрически шок.
- **Избягвайте контакт на тялото със заземени повърхности, като тръби, радиатори, кухненски печки и хладилници.** Съществува повишена опасност от токов удар, ако тялото Ви е заземено.
- **Не излагайте електрическите инструменти на дъжд или влажни условия.** Навлизането на вода в електрическия инструмент ще увеличи риска от токов удар.
- **Не злоупотребявайте с кабела. Никога не използвайте кабела за пренасяне, изтегляне или изключване от контакта на електрическия инструмент.** Дръжте кабела настрана от топлина, масло, остри ръбове или движещи се части. Повредени или оплетени кабели увеличават риска от токов удар.
- **Когато работите с електроинструмент на открито, използвайте удължителен кабел подходящ за употреба на открито.** Употребата на кабел подходящ за употреба на открито намалява риска от електрически шок.
- **Ако работата с електрическия инструмент на влажно място е неизбежна, използвайте захранване със защитен прекъсвач на веригата при неправилно заземяване (GFCI).** Употребата на GFCI намалява риска от токов удар.

ЛИЧНА БЕЗОПАСНОСТ

- **Внимавайте, гледайте какво правите и използвайте здрав разум, когато работите с електрически инструмент.** Не използвайте електрически инструмент, когато сте уморени или когато сте под влияние на наркотици, алкохол или лекарства. Момент невнимание по време на работата с електрически инструмент, може да доведе до сериозно лично нараняване.
- **Използвайте лични предпазни средства.** Винаги носете защита за очите. Защитно оборудване като прахови маски, неплъзгащи се безопасно обувки, твърда каска или защита за слуха използвана при подходящи условия ще намали риска от лични наранявания.

- **Предотвратете непреднамерено пускане.** Уверете се, че ключът е в изключена позиция, преди да свържете към захранване и/или батерия, повдигайки или носейки инструмента. Носейки инструмента, докато пръстът ви е на спусъка или подаването на захранване на инструменти, които са с включен прекъсвач е предпоставка за инциденти.
- **Издадете всеки регулиращ ключ или гаечен ключ, преди да включите захранването.** Гаечен или друг ключ оставен закачен към въртящите се части на електрическия инструмент, може да доведе до лично нараняване.
- **Не се протягайте.** Запазете правилна стойка и баланс по всяко време. Това позволява по-добър контрол върху електрическия инструмент в непредвидени ситуации.
- **Облечете се подходящо.** Не носете отпуснати дрехи или бижута. Дръжте косата, дрехите и ръкавиците далеч от движещи се части. Отпуснати дрехи, бижута или дълга коса, могат да бъдат хванати в движещите се части.
- **Ако са предоставени устройства за свързване на прахоуловител или съоръжения за събиране, уверете се, че те са свързани и са правилно използвани.** Употребата на устройства за прах може да намали рисковете свързани с прах.
- **Не позволявайте на рутинността придобита от честата употреба на инструмента да позволи да станете небрежни и да игнорирате принципите за безопасност на инструмента.** Небрежно действие може да причини сериозно нараняване за част от секундата.
- **Дръжте свободния електрически инструмент извън достъпа до деца и не позволявайте хора, които не са запознати с електрическия инструмент или тези инструкции да работят с него.** Електрическите инструменти са опасни в ръцете на необучени потребители.
- **Поддържайте електрическите инструменти.** Проверете за разместване или блокиране на подвижни части, счупване на части, и всякакви други условия, които могат да повлияят на работата на електрическия инструмент. При повреда ремонтирайте инструмента преди употреба. Много инциденти са причинени от лошо поддържани електрически инструменти.
- **Дръжте режещите инструменти остри и чисти.** Правилно поддържани режещи инструменти, с остри режещи ръбове е по-малко вероятно да се заклящат и по-лесно се контролират.
- **Използвайте електрическия инструмент, аксесоарите, частите на инструмента и т.н в съответствие с тези инструкции, като вземете предвид условията на работа и вида работа, която ще бъде извършвана.** Употребата на електрическия инструмент за дейности различни от предназначенията може да доведе до опасни ситуации.
- **Дръжте ръкохватките и повърхностите за захващане сухи, чисти и без масло и грес.** Хлъзгавите ръкохватки и места за захващане не позволяват безопасно боравене и контролиране на инструмента при неочаквана ситуация.

УПОТРЕБА И ГРИЖА ЗА ИНСТРУМЕНТ НА БАТЕРИИ

УПОТРЕБА И ГРИЖА ЗА ЕЛЕКТРИЧЕСКИЯ ИНСТРУМЕНТ

- **Не пресилвайте електрически инструмент.** Използвайте правилния електрически инструмент за вашата работа. Правилният електрически инструмент ще свърши работата по-добре и по-безопасно при капацитета за който е проектиран.
- **Не използвайте електрическия инструмент ако ключът не го включва или изключва.** Всеки електрически инструмент, който не може да бъде контролиран от ключа е опасен и трябва да бъде поправен.
- **Разкачете щепсела от захранването и/или батерията от електрическия инструмент, преди да извършите настройки, смяна на аксесоари или съхраняване на инструментите.** Подобни превантивни мерки за безопасност намаляват риска от стартиране на инструмента инцидентно.
- **Презареждайте само с зарядно устройство определено от производителя.** Зарядно устройство, което е подходящо за един тип акумулаторни батерии може да създаде риск от пожар, когато се използва с други акумулаторни батерии.
- **Използвайте електроинструменти само със специфично обозначени акумулаторни батерии.** Употребата на каквато и да е друга батерия може да създаде риск от нараняване или пожар.
- **Когато акумулаторните батерии не са в употреба ги дръжте на разстояние от други метални обекти, като кламери, монети, ключове, пирони, отвертки или други малки метални предмети, които могат да направят свързване между клемите.** Свързване на късо на клемите на акумулаторната батерия може да причини изгаряния или пожар.

- При условия на злоупотреба, течност може да се отдели от акумулаторната батерия; предотвратете контакт. Ако инцидентно възникне контакт, изплакнете с вода. Ако течност влезе в контакт с очите, допълнително потърсете медицинска помощ. Течност отделена от акумулаторната батерия може са предизвика възпаление или изгаряния.
- Не използвайте акумулаторна батерия или инструмент, които са повредени или модифицирани. Повредените или модифицираните батерии може да проявят непредсказуемо поведение, което да доведе до пожар, експлозия или риск от нараняване.
- Не излагайте батерията или инструмента на огън или прекомерна температура. Излагане на огън или температура над 130 °C може да причини експлозия.
- Следвайте всички инструкции за зареждане и не зареждайте батерията или инструмента извън температурния обхват зададен в инструкциите. Неправилното зареждане или зареждане извън определения температурен обхват може да повреди батерията и да повиши риска от пожар.

ОБСЛУЖВАНЕ

- Обслужвайте вашия електрически инструмент чрез квалифициран техник, като използвате само идентични резервни части. Това ще осигури поддържането на безопасност на електрическия инструмент.
- Никога не поправяйте повредени акумулаторни батерии. Ремонтът на акумулаторни батерии трябва да бъде извършван от производителя или оторизиран сервиз.

ПРОЧЕТЕТЕ ВСИЧКИ ИНСТРУКЦИИ ПРЕДИ УПОТРЕБА НА ТОЗИ ПРОДУКТ!

ОБУЧЕНИЕ

- Никога не позволявайте на деца, лица с намалени физически, сетивни или умствени способности, или с липса на опит и познание, или на хора, които не са запознати с тези инструкции да използват машината.
- Операторът или потребителят е отговорен за инциденти или опасности, причинени на други хора или тяхната собственост.

ПОДГОТОВКА

- Този електрически инструмент може да бъде използван при дъжд и мокри условия. Изсушете

електрическия инструмент след завършване на работата.

- Преди употреба, проверете батериите или акумулаторната батерия за повреда. Не използвайте уреда ако батериите или акумулаторната батерия са повредени.

ЕКСПЛОАТАЦИЯ

- Този електрически инструмент може да бъде използван при дъжд и мокри условия. Изсушете електрическия инструмент след завършване на работата.
- Снемете батериите или акумулаторните батерии:
 1. Когато оставяте машината;
 2. Преди почистване на задръстване;
 3. Преди проверка, почистване и работа по уреда;
 4. Ако уредът започне да вибрира необичайно.
- Винаги бъдете сигурни за стабилността на краката по наклон.
- Вървете, никога не бягайте.
- Поддържайте по всички въздушни отвори за охлаждане да няма остатъци.
- Препоръка за работа с машината само в разумни часове – не рано сутринта или късно през нощта, когато хората могат да бъдат обезпокоени.
- Препоръка за леко навлажняване на повърхностите при прашни условия или употреба на приставка за влага.

⚠ ПРЕДУПРЕЖДЕНИЕ: Опасност от въртящи се части!

- Използвайте пълното удължение на дюзата на въздуходувката, така че въздушният поток да може да работи близо до земята.
- Да не се работи с машината близо до земята, близо до отворен прозорец и т.н.

ПОДДРЪЖКА И СЪХРАНЕНИЕ

- Дръжте всички гайки, болтове и винтове затегнати за да сте сигурни, че уредът е в безопасно работно състояние.
- Подменете износените или повредените части.
- Използвайте единствено оригинални резервни части и аксесоари.
- Съхранявайте уреда само на сухи места.

⚠ ПРЕДУПРЕЖДЕНИЕ: За да намалите риска от пожар, електрически шок или нараняване:

ВАЖНО

ПРОЧЕТЕТЕ ВНИМАТЕЛНО ПРЕДИ УПОТРЕБА.

ЗАПАЗЕТЕ ЗА БЪДЕЩА СПРАВКА.

- Не позволявайте въздуходувката да се използва като играчка. Изисква се повишено внимание, когато се използва от или близо до деца.
- Ако въздуходувката не работи според очакванията, била е изпусната, повредена или изпусната във вода, върнете я в сервизен център.
- Не поставяйте какъвто и да е предмет в който и да е от отворите. Не използвайте с блокиран който и да е от отворите; поддържайте по отворите да няма прах, мъх, коса и нищо, което може да намали въздушния поток.
- Подхождате с повишено внимание, когато почиствате по стъпала.
- Не оставяйте въздуходувката без наблюдение, когато кабелът на батерията вкаран. Снемайте батерията, когато въздуходувката не се използва и преди обслужване.
- Не работете със зарядното устройство, включително с щепсела на зарядното устройство или с клемите на зарядното устройство с влажни ръце.
- Не зареждайте акумулаторната батерия на открито.

⚠ ПРЕДУПРЕЖДЕНИЕ:

- Акумулаторната батерия, трябва да бъде премахната от уреда преди да бъде предаден за скрап.


- Батерията трябва да бъде безопасно изхвърлена като отпадък.

- **НЕ** предприемайте почистване на запушвания от уреда без първо да снемете батерията.
- **Поддържайте въздуходувката и ръкохватките и сухи, чисти и без масло и грес.** Винаги използвайте чист плат, когато почиствате. Никога не използвайте спирална течност, бензин, продукти на нефтена основа или други силни разтворители за почистване на вашата въздуходувка. Следването на тези правила ще намали риска от загуба на управление и влошаване на качествата на пластмасата по корпуса.

- **Батериите могат да експлодират в присъствието на източник на възпламеняване, като контролна лампа.** За да намалите риска от сериозно нараняване, никога не използвайте каквито и да е безжични продукти в присъствието на открит огън. Експлодирала батерия може да изхвърли остатъци и химикали. Ако се изложите на това, незабавно изплакнете с вода.
- **Никога не пускайте уреда без прикрепно подходящо оборудване.** Винаги се уверявайте, че тръбата на въздуходувката е монтирана.
- **Никога не използвайте въздуходувката близо до огън или нагорещена пепел.** Употребата близо до огън или пепел може да разпространи пожари и да доведе до сериозно нараняване и/или имуществени щети.
- **Никога не използвайте въздуходувката за разпространение на химикали, изкуствени торове или някакви други вещества.** Разпространението на тези вещества може да доведе до сериозно нараняване на оператора или околните.
- **Запазете тези инструкции.** Обръщайте се често към тях и ги използвайте за инструктиране на други, които може да използват този инструмент. Ако заемете този инструмент на някой друг, заемете им също и тези инструкции, за да се предотврати злоупотреба с продукта и вероятно нараняване.

ЗАПАЗЕТЕ ТЕЗИ ИНСТРУКЦИИ!

СПЕЦИФИКАЦИИ

Напрежение	56V 
Обем въздух	986 м ³ /ч
Препоръчителна работна температура	-15°C-40°C
Препоръчителна температура на съхранение	-20°C-70°C
Максимален обем въздух при дюзата	65m/s (без кръгла дюза)
	75m/s (С кръгла дюза)
Приблизително време на работа (с акумулаторна батерия EGO 5.0Ah)	18 мин. (Форсиран режим)
	30 мин. (Висока скорост)
	200 мин. (Ниска скорост)

BG

Максимална сила на издухване	18N
Тегло на въздуходувката (без акумулаторна батерия)	2,18 кг
Измерено ниво на сила на звука L_{WA}	94,73 dB(A) K=2,83 dB(A)
Ниво на звуково налягане при ухото на оператора L_{PA}	78,4 dB(A) K=2,5 dB(A)
Гарантирано ниво на сила на звука L_{WA} (съгласно 2000/14/EC)	98 dB(A)
Вибрации при v_h	0,505 m/c^2 K=1,5 m/c^2

- Декларираният общ размер на вибрации е измерен в съответствие със стандартния метод за тест и може да бъде използван за сравнение между два инструмента;
- Декларираният общ размер на вибрации може също така да бъде използван за предварителна оценка на влиянието.

БЕЛЕЖКА: Вибрационните емисии по време на действителната употреба на електрическия инструмент може да се различава от декларираната стойност. С цел да се защити оператора, потребителят трябва да носи ръкавици и антифони в действителни условия на работа.

ОПАКОВЪЧЕН ЛИСТ

ИМЕ НА ЧАСТ	БРОЙ
Въздуходувка	1
Тръба на въздуходувката	1
Дюза приставка	2
Ръководство на оператора	1

ОПИСАНИЕ

ОПОЗНАЙТЕ ВАШАТА ВЪЗДУХОДУВКА (Фиг. А)

1. Плоска дюза
2. Кръгла дюза
3. Тръба на въздуходувката
4. Бутон за освобождаване на тръбата
5. Основа
6. Въздушен вход
7. Бутон за изваждане на батерията
8. Електрически контакти
9. Резе

10. Бутон за освобождаване на батерията
11. Спусък за скоростта на въздуха
12. Бутон за форсиране
13. Диск за скоростта/заклучване

⚠ ПРЕДУПРЕЖДЕНИЕ: Безопасната употреба на този продукт изисква осъзнаване на информацията върху инструмента и в това ръководство с инструкции, както и познание относно проекта, с който се захващате. Преди употреба на този продукт се запознайте с работни характеристики и правила за безопасност.

МОНТАЖ

⚠ ПРЕДУПРЕЖДЕНИЕ: Ако някои от частите са повредени или липсват, не работете с този продукт, докато частите не се подменят. Използването на този продукт с повредени или липсващи части може да доведе до сериозно лично нараняване.

⚠ ПРЕДУПРЕЖДЕНИЕ: Не се опитвайте да модифицирате този продукт или да създадете аксесоари, които не се препоръчват за употреба с тази въздуходувка. Всяка такава промяна или модификация е злоупотреба и може да доведе до опасни условия с последици от възможни сериозни наранявания.

⚠ ПРЕДУПРЕЖДЕНИЕ: За да предотвратите случайно стартиране, което би могло да причини сериозно нараняване, винаги отстранявайте акумулаторната батерия от инструмента, когато сглобявате частите.

ПРИЛОЖЕНИЕ

Може да използвате този продукт за целите описани долу:

- Почистване на твърди повърхности като алеи и пътеки.
- Поддържане на площадки и алеи без листа и иглички от иглолистни дървета.

ЗАБЕЛЕЖЕТЕ: Инструментът трябва да бъде използван само за предназначените цели. Всяка друга употреба се смята за случай на злоупотреба.

МОНТИРАНЕ/ДЕМОНТИРАНЕ НА ТРЪБАТА НА ВЪЗДУХОДУВКАТА

- При монтиране (Фиг. В & С)

Подравнете канала и натиснете тръбата в корпуса на въздуходувката, докато не чуете „щрак“.

■ **При снемане (Фиг. D)**

Натиснете бутона за освобождаване на тръбата и издърпайте тръбата.

МОНТАЖ/ДЕМОНТАЖ НА КРЪГЛА/ПЛОСКА ДЮЗА НА ВЪЗДУХОДУВКАТА

■ **При монтиране (Фиг. E & F)**

Подравнете жлеба на разпръскващата дюза с копчето на тръбата и натиснете дюзата в тръбата, докато щракне на местото си.

■ **При снемане (Фиг. G)**

Натиснете и задръжте бутона за освобождаване на дюзата, за да отключите резето и след това издърпайте направо дюзата от въздуходувката.

БЕЛЕЖКА: Следвайте същата последователност като за монтажа или демонтажа на плоска дюза.

МОНТИРАНЕ/ИЗВАЖДАНЕ НА АКУМУЛАТОРНАТА БАТЕРИЯ

Заредете преди първата употреба.

Използвайте само с акумулаторни батерии и зарядни устройства изброени на фиг. А.

■ **За да монтирате(Фиг. H)**

Подравнете ребрата на батерията с монтажните жлебове и натиснете батерията надолу, докато чуete "клик".

■ **За да извадите(Фиг. I)**

Натиснете бутона за освобождаване на батерията и издърпайте акумулаторната батерия навън.

⚠ ПРЕДУПРЕЖДЕНИЕ: Винаги обръщайте внимание на местоположението на краката си, деца или домашни любимци, когато бутона за освобождаване на акумулаторната батерия. Може да възникне сериозно нараняване, ако акумулаторната батерия падне. НИКОГА не премахвайте акумулаторната батерия, когато сте на високо място.

За описание на частите на Фиг. H вижте по-долу:

BG	H-1	Бутон за освобождаване на батерията	H-3	Монтажен отвор
	H-2	Ребро на батерията		

ПУСКАНЕ/СПИРАНЕ НА ВЪЗДУХОДУВКАТА (Фиг. J)

■ **Само за спусъка за скоростта на въздуха**

1. Натиснете спусъка за скоростта на въздуха, за да включите въздуходувката.

2. Скоростта на въздуха на въздуходувката се управлява със спусък за променлива скорост. По-големият натиск върху спусъка води до по-висока скорост на издухване, по-малкият натиск върху спусъка води до по-ниска скорост на издухване. Регулирайте скоростта според предстоящата задача.

3. Освободете спусъка за скоростта на въздуха, за да изключите въздуходувката.

■ **Само за диска за скоростта/заклучване**

Въздуходувката може да бъде включена и заключена на всяка скоростс диска за скоростта/заклучването.

1. Завъртете диска за скоростта /заклучването по часовника, за да стартирате въздуходувката. Скоростта на въздуха нараства със завъртане на диска по часовника.

2. За намаляване на скоростта на въздуха завъртете диска за скоростта/заклучването обратно на часовника.

3. Продължавайте да въртите диска за скоростта/заклучване обратно на часовника до изключена позиция, за да спрете въздуходувката.

БЕЛЕЖКА: Ако дискът за скоростта/заклучване не бъде завъртан обратно за изключена позиция преди включване на въздуходувката, тя няма да стартира чрез диска за скоростта/заклучване, когато бъде инсталирана заредена батерия. Това е защитна функция за предотвратяване на случайно стартиране. Натиснете спусъка за скоростта на въздуха, за да деактивирате защитата.

Натиснете бутона за форсиране по време на работа за временно усилване на скоростта на въздуха до максимално ниво. Въздуходувката ще възстанови предишната си скорост, когато бутонът за форсиране се освободи.

За описание на частите на Фиг. J вижте по-долу:

J-1	Диск за скоростта/заклучване	J-3	Спусък за скоростта на въздуха
J-2	Бутон за форсиране		

Съвети за употреба на въздуходувката

■ За да се предпазите от разхвърляне на остатъци, издухайте около външните граници на купчината с остатъци. Никога не духайте директно в центъра на купчината.

- За да намалите звуковото ниво, ограничете броя на частите от оборудването, които се използват по едно и също време.
- Използвайте на гребла и метли за снемане на остатъци преди издухване. При прашни условия, леко навлажнете повърхността, когато е налична вода.
- Внимавайте за деца, домашни любимци, отворени прозорци или скоро измити коли и издухвайте остатъците по безопасен начин.
- След използване на въздуходувки или друго оборудване, почистете! Изхвърляйте остатъците по подходящ начин.
- Не се препоръчва употреба на въздуходувката на висока скорост за продължително време, тъй като вибрацията и шумът може да навредят на Вашето здраве.

- Почистете всички чужди материали от въздушния отвор на въздуходувката.
- Съхранявайте на закрито, на място, което е недостъпно до деца. Пазете я от корозивни препарати като градински химикали и сол за обезледяване.

Опазване на околната среда



Не изхвърляйте електрическо оборудване, зарядно устройство за акумулаторни батерии и батерии/ акумулаторни батерии в домакинския отпадък.

Съгласно европейския закон 2012/19/EU, електрическо и електронно оборудване, което повече не може да се използва и съгласно европейското законодателство 2006/66/EC, дефектните или използваните акумулаторни батерии/ батерии трябва да се събират отделно и да се изхвърлят по подходящ за околната среда начин.

Ако се изхвърлят електрически уреди в сметища или буница, опасни вещества могат да изтекат в подпочвените води и да попаднат в хранителната верига, като увредят вашето здраве и благосъстояние.

ПОДДРЪЖКА

⚠ ПРЕДУПРЕЖДЕНИЕ: Когато обслужвате, използвайте само идентични резервни части. Употребата на каквито и да е други части може да създаде опасност или да предизвика повреда на продукта. За да осигурите безопасността и надеждността, всички поправки трябва да се извършват от квалифициран сервизен техник.

⚠ ПРЕДУПРЕЖДЕНИЕ: За да избегнете нараняване, винаги снемайте акумулаторната батерия от продукта, когато почиствате или извършвате поддръжка.

ОБЩА ПОДДРЪЖКА

Избягвайте употребата на разтворители, когато почиствате пластмасовите части. Повечето пластмасови части са уязвими на повреда от различни видове разтворители в търговската мрежа и може да се повредят от тяхната употреба. Използвайте чист плат, за премахване на мръсотия, прах, масло и т.н.

⚠ ПРЕДУПРЕЖДЕНИЕ: Никога не позволявайте спиратна течност, бензин, петролни продукти, проникващи масла и т.н. да влизат в контакт с пластмасовите части. Химикалите могат да повредят, отслабят или разрушат пластмаса, което може да доведе сериозно нараняване.

СЪХРАНЕНИЕ

- Отстранете акумулаторната батерия от въздуходувката.

ОТСТРАНЯВАНЕ НА НЕИЗПРАВНОСТИ

ПРОБЛЕМ	ПРИЧИНА	РЕШЕНИЕ
Въздуходувката не работи.	<ul style="list-style-type: none"> ■ Акумулаторната батерия не е прикрепена към въздуходувката. ■ Няма електрически контакт между въздуходувката и батерията. ■ Акумулаторната батерия е изтощена. ■ Акумулаторната батерия или въздуходувката са твърде горещи. ■ Дискът за скоростта/заклучване не е върнат обратно в изключена позиция преди включване на въздуходувката. 	<ul style="list-style-type: none"> ■ Закрепете акумулаторната батерия към въздуходувката. ■ Извадете батерията, проверете контактите и поставете наново акумулаторната батерия. ■ Сменете акумулаторната батерия. ■ Охладете батерията и въздуходувката, докато температурата спадне под 67°C. Натиснете спусъка за скоростта на въздуха, за да деактивирате защитата и да стартирате въздуходувката или завъртете първо диска за скоростта/заклучване в изключена позиция.
Скоростта на въздуха значителна намалява.	<ul style="list-style-type: none"> ■ Прекомерно износване на вентилатора на двигателя. ■ Въздушният отвор е блокиран от остатъци. 	<ul style="list-style-type: none"> ■ Свържете се с сервизния център на EGO за ремонт. ■ Извадете акумулаторната батерия, почистете остатъците.

ГАРАНЦИЯ

ГАРАНЦИОННА ПОЛИТИКА EGO

Моля посетете уебсайта egopowerplus.com за пълните условия по гаранционната политика на EGO.

PROČITAJTE UPUTE U CIJELOSTI!



PROČITAJTE KORISNIČKI PRIRUČNIK

OBAVIJEST: Ove upute bit će dostupne i u alternativnom formatu, npr. na internetskoj stranici.

⚠️ Preostale opasnosti! Osobe s elektroničkim uređajima poput srčanih elektrostimulatora prije korištenja ovog proizvoda trebaju se posavjetovati sa svojim liječnikom. Rad električne opreme u neposrednoj blizini srčanih elektrostimulatora može prouzročiti smetnju ili kvar srčanog elektrostimulatora.

⚠️ UPOZORENJE! Radi osiguranja sigurnosti i pouzdanosti sve popravke i zamjene treba obavljati kvalificirani servisni tehničar.

SIGURNOSNI SIMBOLI

Svrha sigurnosnih simbola je skretanje pozornosti na moguće opasnosti. Sigurnosni simboli i njihova objašnjenja zahtijevaju vašu potpunu pozornost i razumijevanje. Sami simboli upozorenja ne isključuju opasnost. Upute i upozorenja koja pružaju nisu zamjena za propisne mjere za prevenciju nesreća.

⚠️ UPOZORENJE! Prije korištenja ovog alata pobrinite se da sve upute u ovom korisničkom priručniku, uključujući sve sigurnosne simbole kao što su "OPASNOST", "UPOZORENJE", "OPREZ" pročitate s razumijevanjem. Zanemarivanje svih uputa navedenih u nastavku može rezultirati strujnim udarom, požarom i/ili teškim tjelesnim ozljedama.

INFORMATIVNE I PORUKE O SPRJEČAVANJU OŠTEĆENJA

One korisnika obavještavaju o važnim informacijama i/ili uputama i ako ih se ne pridržavate, može doći do oštećenja opreme ili druge imovine. Ispred svake poruke istaknuta je riječ „OBAVIJEST“, kao u donjem primjeru:

OBAVIJEST: Može doći do oštećenja opreme i/ili imovine u slučaju ne pridržavanja ovih uputa.




⚠️ UPOZORENJE! Rukovanje električnim alatima može rezultirati odbacivanjem stranih predmeta u oči što opet može izazvati teška oštećenja očiju. Prije početka rukovanja električnim alatom uvijek nosite zatvorene zaštitne naočale ili zaštitne naočale s bočnim štitičnicima, a prema potrebi i štitičnik za cijelo lice. Preporučujemo nošenje sigurnosne maske širokog vidnog polja preko naočala, ili nošenje standardnih zaštitnih naočala s bočnim štitičnicima.

SIGURNOSNE NAPOMENE

Na ovoj stranici slikovno su prikazani i objašnjeni sigurnosni simboli koji se mogu pojaviti na ovom proizvodu. Prije pokušaja sastavljanja i rukovanja s razumijevanjem pročitajte sve upute na stroju i pridržavajte ih se.

	Simbol upozorenja	Mjere opreza koje se odnose na vašu sigurnost.
	Nosite zaštitu za oči.	Kada rukujete ovim proizvodom, uvijek nosite zatvorene zaštitne naočale ili zaštitne naočale s bočnim štitičnicima i štitičnik za cijelo lice.
	Nosite zaštitu za sluh.	Kada upotrebljavate proizvod, nosite zaštitu za sluh.
	Pročitajte korisnički priručnik	Radi smanjenja opasnosti od ozljeda, prije korištenja ovog proizvoda korisnik treba s razumijevanjem pročitati korisnički priručnik.
	Promatrače držite na udaljenosti.	Sve promatrače držite na udaljenosti barem 15 m.
V	Volt	Napon
A	Amperi	Struja
Hz	Herc	Frekvencija (ciklusi u sekundi)
W	Vat	Snaga
min	Minuta	Vrijeme
m ³ /h	Kubnih metara na sat	Volumen zraka
km/h	Kilometara na sat	Brzina strujanja zraka
	Izmjenična struja	Vrsta struje

	Istosmjerna struja	Vrsta ili karakteristike struje
n_0	Brzina bez opterećenja	Broj okretaja u praznom hodu
... /min	U minuti	Okretaji u minuti

Pri korištenju električnih uređaja potrebno je uvijek pridržavati se osnovnih mjera opreza uključujući sljedeće:

OPĆA UPOZORENJA O SIGURNOSTI ELEKTRIČNIH ALATA

⚠ UPOZORENJE: PROČITAJTE SVA SIGURNOSNA UPOZORENJA, SVE UPUTE, ILUSTRACIJE I SPECIFIKACIJE ISPORUČENE S OVIM ELEKTRIČNIM ALATOM. Zanemarivanje svih uputa navedenih u nastavku može rezultirati strujnim udarom, požarom i/ili teškim ozljedama.

OVA UPOZORENJA I UPUTE SPREMITE ZA BUDUĆE POTREBE.

Pojam „električni alat“ se u upozorenjima odnosi na sav alat s mrežnim napajanjem (s priključnim kablom) ili s baterijskim napajanjem (bez priključnog kabla).

SIGURNOST RADNOG PODRUČJA

- **Područje za rad održavajte čistim i dobro osvijetljenim.** Pretrpana ili mračna područja izazivaju nesreće.
- **Električni alat ne upotrebljavajte u eksplozivnim okruženjima, primjerice u prisutnosti zapaljivih tekućina, benzina ili prašine.** Električni alat stvara iskre koje mogu zapaliti prašinu ili isparenja.
- **Dok se koristite električnim alatom, djecu i promatrače udaljite od mjesta rada.** Ometanje može dovesti do gubitka kontrole nad alatom.

ELEKTRIČNA SIGURNOST

- **Utikači električnog alata moraju odgovarati utičnici. Ne izvodite nikakve preinake na utikaču. Ne koristite adapterske utikače s uzemljenim električnim alatom.** Nepreinačeni utikači i odgovarajuće utičnice smanjit će rizik od strujnog udara.
- **Izbjegavajte kontakt tijela s uzemljenim ili metalnim površinama kao što su slavine, radijatori, peći i hladnjaci.** Opasnost od električnog udara se povećava ako je vaše tijelo spojeno s uzemljenom površinom ili tlom.
- **Električni alat ne izlažite kiši ili mokrim uvjetima.** Prodiranje vode u električni alat povećat će rizik od strujnog udara.

- **Kabel ne koristite nepropisno. Kabel ne koristite za nošenje, povlačenje ili iskopčavanje električnog alata. Kabel držite dalje od topline, ulja, oštih rubova ili pokretnih dijelova.** Oštećeni ili isprepleteni kabeli povećavaju rizik od strujnog udara.
- **Kada električnim alatom radite na otvorenom, koristite produžni kabel prikladan za uporabu na otvorenom.** Korištenje kabla prikladnog za uporabu na otvorenom smanjuje rizik od strujnog udara.
- **Ako je upotreba električnog alata na vlažnom mjestu neizbježna, koristite električno napajanje koje je zaštićeno sklopkom za zaštitu od dozemnog spoja.** Upotreba takve sklopke smanjit će rizik od strujnog udara.

OSOBNA SIGURNOST

- **Budite oprezni i koncentrirajte se na posao koji obavljate i ponašajte se razumno pri korištenju električnog alata. Nemojte raditi s električnim alatom ako ste umorni ili pod utjecajem droge, alkohola ili lijekova.** Trenutak nepažnje tijekom rada s električnim alatom može rezultirati teškim tjelesnim ozljedama.
- **Koristite osobnu zaštitnu opremu. Nosite zaštitu za oči.** Osobna zaštitna oprema kao što je maska protiv prašine, zaštitne cipele s potplatama protiv klizanja, zaštitna kaciga ili štitnici za sluh, koja se koristi za odgovarajuća stanja, umanjit će opasnost od ozljede.
- **Spriječite nehotično uključivanje alata. Prije nego alat povežete na izvor napajanja i/ili dio sa baterijom, podižete ili nosite alat provjerite nalazi li se prekidač u položaju “isključeno”.** Nošenje alata s prstom na sklopki ili priključivanje alata na napajanje s uključenom sklopkom pogoduje nezgodama.
- **Skinite s alata sve ključeve za podešavanje ili pritezanje prije uključivanja njegovog napajanja.** Viličasti ključ ili ključ za stezanje glave koji su ostali na rotirajućem dijelu električnog alata mogu izazvati ozljede.
- **Nemojte se pretjerano naginjati. Cijelo vrijeme održavajte odgovarajuće držanje i ravnotežu.** Na taj način ćete zadržati bolju kontrolu nad alatom u nepredviđenim situacijama.
- **Obucite se prikladno. Ne nosite široku odjeću ili nakit. Kosu, odjeću i rukavice držite dalje od pokretnih dijelova.** Pokretni dijelovi mogu zahvatiti široku odjeću, nakit ili dugu kosu.
- **Ako postoje uređaji za povezivanje s usisivačima i skupljačima prašine, provjerite jesu li dobro spojeni i koriste li se ispravno.** Uporaba uređaja za prašinu smanjuje opasnost koja nastaje nakupljanjem prašine.

- **Nemojte dopustiti da vas poznavanje alata stečeno čestom uporabom učini samodopadnim te da ignorirate sigurnosna načela za alat.** Nemarne radnje mogu rezultirati teškim ozljedama u djeliću sekunde.

KORIŠTENJE I BRIGA O ELEKTRIČNOM ALATU

- **Nemojte preopterećivati električni alat. Koristite alat koji odgovara poslu koji obavljate.** S prikladnim električnim alatom ćete posao obaviti bolje i sigurnije i predviđenom brzinom.
- **Nemojte koristiti alat ako ga sklopkom ne možete uključiti ili isključiti.** Električni alat koji se ne može uključiti ili isključiti sklopkom opasan je i treba ga popraviti.
- **Prije podešavanja, mijenjanja nastavaka ili spremanja alata izvadite utikač iz utičnice i/ili iz alata izvadite baterije.** Ova preventivna sigurnosna mjera će smanjiti opasnost od nehotičnog pokretanja električnog alata.
- **Električni alat koji ne koristite spremite izvan dohvata djece i nemojte dozvoliti da njime rade osobe koje nisu upoznate s električnim alatom ili s ovim uputama za rad s električnim alatom.** Električni alati su opasni u rukama neizvježbanih osoba.
- **Održavajte električni alat. Provjerite da pokretni dijelovi alata nisu necentrirani ili zaglavljani, da nema polomljenih dijelova i drugih stanja koja mogu utjecati na rad električnog alata. Ako ima oštećenja, svakako ih prije korištenja otklonite.** Mnoge nezgode su nastale upravo zbog slabog održavanja električnog alata.
- **Rezne alate održavajte oštroma i čistima.** Pravilno održavani rezni alati s oštrom reznom bridovima manje su sklони zaglavljivanju i njima se lakše upravlja.
- **Koristite električne alate, dodatke i nastavke u skladu s ovim uputama, uzimajući u obzir radne uvjete i vrstu rada koji ćete obavljati.** Upotreba električnog alata za radove za koje on nije predviđen može dovesti do opasnih stanja.
- **Rukohvate i površinu rukohvata održavajte suhim, čistim i očišćenim od ulja i masti.** Skliski rukohvati i skliske površine rukohvata onemogućuju sigurno rukovanje i upravljanje alatom u neočekivanim situacijama.

KORIŠTENJE I NJEGA BATERIJSKOG ALATA

- **Punjenje obavljajte samo s punjačem kojeg je naveo proizvođač.** Punjač koji je prikladan za jedan tip kompleta baterija može stvoriti rizik od požara ako ga se koristi s drugim kompletom baterija.
- **Električni alat koristite samo s izričito navedenim kompletima baterija.** Korištenje drugih kompleta baterija može stvoriti rizik od ozljeda i požara.

- **Kada baterijski modul nije u upotrebi, čuvajte ga što dalje od metalnih predmeta kao što su spajalice, novčići, ključevi, čavli, vijci i drugi mali metalni predmeti koji mogu kratko spojiti priključke.** Kratko spajanje baterijskih kontakata može prouzročiti opekline ili požar.
- **U slučaju pogrešne uporabe, baterija može izbaciti tekućinu; izbjegavajte kontakt.** Ako slučajno dođe do doticaja, mjesta doticaja isperite vodom. Ako tekućina dođe u doticaj s očima, dodatno potražite pomoć liječnika. Tekućina koju izbací baterija može prouzročiti nadražaj kože ili opekline.
- **Ne upotrebljavajte oštećene ili preinačene baterijski modul ili alat.** Oštećene ili preinačene baterije mogu pokazati nepredvidivo ponašanje koje može rezultirati požarom, eksplozijom ili opasnošću od ozljeda.
- **Baterijski modul i alat ne izlažite vatri ili previsokoj temperaturi.** Izlaganje vatri ili temperaturi višoj od 130 °C može prouzročiti eksploziju.
- **Pridržavajte se svih uputa za punjenje i baterijski modul ili alat nemojte puniti izvan okvira temperaturnog raspona navedenog u uputama.** Nepropisno punjenje ili punjenje pri temperaturama izvan okvira određenog raspona može oštetiti bateriju i povećati opasnost od požara.

SERVISIRANJE

- **Servisiranje električnog alata prepustite kvalificiranom osoblju za popravak koje upotrebljava samo identične zamjenske dijelove.** Time će se osigurati održavanje sigurnosti električnog alata.
- **Ne servisirajte oštećene baterijske module.** Servisiranje baterijskih modula smiju obavljati samo proizvođač ili ovlašteni serviseri.

PROČITAJTE SVE UPUTE PRIJE UPORABE OVOG PROIZVODA!

OBUKA

- **Nemojte nikada dopustiti da djeca i osobe ograničenih fizičkih, osjetilnih ili metalnih sposobnosti ili nedovoljnog iskustva i znanja ili osobe koje nisu upoznate s ovim uputama upotrebljavaju ovaj stroj.**
- **Rukovatelj ili korisnik odgovoran je za nesreće ili opasnosti za druge osobe ili njihovu imovinu.**

PRIPREMA

- Ovaj električni alat može se upotrebljavati po kiši i u mokrim uvjetima. Osušite električni alat nakon završenog posla.
- Prije uporabe provjerite jesu li baterije ili baterijski moduli oštećeni. Nemojte upotrebljavati uređaj ako su baterije ili baterijski modul oštećeni.

RAD

- Ovaj električni alat može se upotrebljavati po kiši i u mokrim uvjetima. Osušite električni alat nakon završenog posla.
- Odspojite baterije ili baterijske module:
 1. kada ostavljate stroj bez nadzora;
 2. prije uklanjanja blokade;
 3. prije provjere, čišćenja ili rada na stroju;
 4. ako uređaj počne neobično vibrirati.
- Uvijek osigurajte dobro uporište na kosinama.
- Hodajte, nemojte trčati.
- Svi ulazi zraka za hlađenje moraju biti očišćeni od nečistoća.
- Preporučujemo da stroj upotrebljavate samo u razumna doba dana – ne rano ujutro ili kasno navečer kada možete smetati ljudima.
- U prašnjavim uvjetima preporučujemo blago navlažiti površine ili uporabu priključka raspršivača.

⚠ UPOZORENJE: Opasnost od rotirajućih dijelova!

- Upotrebljavajte cijeli nastavak s mlaznicom puhala kako bi zrak strujao blizu tla.
- Stroj nemojte upotrebljavati u blizini otvorenih prozora i sl.

ODRŽAVANJE I SKLADIŠTENJE

- Sve matice, svornjake i vijke održavajte pritegnutima kako biste bili sigurni da je uređaj u sigurnom radnom stanju.
- Zamijenite istrošene ili oštećene dijelove.
- Upotrebljavajte samo originalne zamjenske dijelove i pribor.
- Držite uređaj na suhom mjestu.

⚠ UPOZORENJE: Radi smanjenja opasnosti od požara, strujnog udara ili ozljeda:

VAŽNO

POZORNO PROČITAJTE PRIJE UPORABE.

SAČUVAJTE ZA BUDUĆE POTREBE.

- Puhalo se ne smije upotrebljavati kao igračka. Potreban je strogi nadzor ako ga upotrebljavaju djeca ili ako se upotrebljava u blizini djece.
- Ako puhalo ne radi propisno, ako je ispalo, oštećeno ili ako je palo u vodu, odnesite ga u servisni centar.
- Nemojte stavljati predmete u otvore uređaja. Nemojte upotrebljavati uređaj ako su otvori blokirani. Otvore održavajte očišćenim od prašine, vlakana, dlaka i svega ostalog što može smanjiti protok zraka.
- Budite posebno oprezni kada čistite na stepeništu.
- Puhalo nemojte ostavljati bez nadzora nakon umetanja utikača baterije. Izvadite bateriju kada ne upotrebljavate puhalo i prije radova servisiranja.
- Punjačem, utikačem i priključcima punjača ne rukujte mokrim rukama.
- Baterijski modul nemojte puniti na otvorenom prostoru.

⚠ UPOZORENJE:

- Prije odlaganja uređaja na otpad, baterijski modul potrebno je izvaditi iz uređaja.

- Bateriju je potrebno zbrinuti na siguran način.

- **NEMOJTE** pokušavati ukloniti začepljenja iz uređaja ako prije toga niste izvadili bateriju.
- Puhalo i njegove drške održavajte suhim, čistim i očišćenim od ulja i masti. Za čišćenje uvijek upotrebljavajte čistu krpu. Za čišćenje puhala nemojte nikada upotrebljavati koćione tekućine, benzin, proizvode na bazi nafte ili jaka otapala. Pridržavanjem ovog pravila smanjit će se opasnost od gubitka kontrole nad uređajem i trošenje plastičnih dijelova kućišta.
- Baterije mogu eksplodirati u prisutnosti izvora paljenja poput pomoćnog plamenika. Radi smanjenja opasnosti od teških tjelesnih ozljeda bežični proizvod nemojte nikada upotrebljavati u prisutnosti otvorenog plamena. Eksplozivna baterija može odbaciti krhotine i kemikalije. U slučaju izlaganja zahvaćena mjesta odmah isperite vodom.
- Uređaj nemojte nikada pokretati bez propisno pričvršćene opreme. Uvijek provjerite je li postavljena cijev puhala.

- **Nikada ne upotrebljavajte puhalo blizu vatre ili vrućeg pepela.** Uporaba u blizini vatre ili pepela može izazvati požar i rezultirati teškim povredama i/ili materijalnim štetama.
- **Puhalo nemojte nikada upotrebljavati za raspršivanje kemikalija, gnojiva ili drugih toksičnih tvari.** Raspršivanje takvih tvari može rezultirati teškim povredama rukovatelja ili drugih prisutnih osoba.
- **Sačuvajte ove upute.** Uputama se koristite često i koristite ih za upućivanje drugih osoba koje mogu upotrebljavati ovaj alat. Ako ovaj alat nekom posudite, priložite i ove upute radi sprečavanja nepropisne uporabe proizvoda i mogućih ozljeda.

SAČUVAJTE OVE UPUTE!

TEHNIČKI PODACI

Napon	56V
Maksimalni volumen zraka na mlaznici	986 m ³ /h
Preporučena radna temperatura	-15 °C - 40 °C
Preporučena temperatura skladištenja	-20 °C - 70 °C
Maksimalna brzina zraka	65m/s (bez okruglog mlaznica)
	75m/s (S okruglom mlaznicom)
Približno vrijeme rada (s EGO 5,0 Ah baterijom)	18 min (pojačani način rada)
	30 min (visoka brzina)
	200 min (niska brzina)
Maksimalna snaga puhanja	18N
Težina puhala (bez baterijskog modula)	2,18 kg
Izmjerena razina zvučne snage L _{WA}	94,73 dB(A) K=2,83 dB(A)
Razina zvučnog tlaka kod uha rukovatelja L _{PA}	78,4 dB(A) K=2,5 dB(A)
Zajamčena razina zvučne snage L _{WA} (u skladu s 2000/14/EZ)	98 dB(A)
Vibracija a _n	0,505 m/s ² K = 1,5 m/s ²

- Deklarirane ukupne vrijednosti vibracija izmjerene su u skladu sa standardnom metodom ispitivanja i mogu se koristiti za usporedbu jednog alata s drugim.
- Deklarirane ukupne vrijednosti vibracija mogu se koristiti i u preliminarnoj procjeni izloženosti.

NAPOMENA: emisija vibracija tijekom aktualnog korištenja električnog alata može se razlikovati od deklarirane vrijednosti u kojoj se alat koristi; Radi zaštite rukovatelja korisnik treba nositi rukavice i štittike za uši u aktualnim uvjetima korištenja.

POPIS ZA PAKIRANJE

NAZIV DIJELA	KOLIČINA
Puhalo	1
Cijev puhala	1
Priključne mlaznice	2
Korisnički priručnik	1

OPIS

UPOZNAJTE SE S PUHALOM (sl. A)

1. Ravna mlaznica
2. Okrugla mlaznica
3. Cijev puhala
4. Gumb za oslobađanje cijevi
5. Postolje
6. Ulaz zraka
7. Izbacivanje baterije
8. Električni kontakti
9. Zasun
10. Gumb za oslobađanje baterije
11. Okidač brzine zraka
12. Gumb za pojačanje
13. Birač za brzinu/fiksiranje

⚠ UPOZORENJE: Kako biste uređaj mogli koristiti na siguran način, morate razumjeti podatke navedene na samom alatu i u ovom priručniku s uputama, a potrebno je imati i znanje u vezi zadatak kojeg treba izvršiti. Prije korištenja ovog proizvoda, upoznajte se sa svim radnim funkcijama i pravilima o sigurnosti.

MONTAŽA

⚠ UPOZORENJE: Ako je bilo koji dio oštećen ili nedostaje, nemojte koristiti proizvod dok se ne zamijene dijelovi. Upotreba proizvoda na kojemu nedostaju dijelovi ili su oni oštećeni, možete dovesti do ozbiljne tjelesne ozljede.

⚠ UPOZORENJE: Ne pokušavajte obavljati preinake na ovom proizvodu ili raditi pribor koji nije preporučen za uporabu s ovim puhalom. Sve takve izmjene ili preinake predstavljaju nepropisnu uporabu i mogu rezultirati opasnim stanjima koja mogu dovesti do mogućih teških tjelesnih ozljeda.

⚠ UPOZORENJE: Kako biste spriječili nehotično pokretanje koje bi moglo prouzročiti ozbiljnu tjelesnu ozljedu, uklonite baterijski modul iz alata prije montiranja dijelova.

PRIMJENA

Ovaj proizvod možete koristiti za svrhe navedene u nastavku:

- Čišćenje tvrdih površina kao što su prilazi za vozila i nogostupi.
- Uklanjanje lišća i iglica borova s terasa i prilaza za vozila.

OBAVIJEST: alat se smije koristiti samo za prethodno opisanu namjenu. Svaka druga uporaba smatra se nepropisnom uporabom.

MONTIRANJE/UKLANJANJE CIJEVI PUHALA

■ Montiranje (sl. B & C)

Poravnajte žlijeb i gurajte cijev na kućište puhalo dok ne začujete „klik“.

■ Uklanjanje (sl. D)

Pritisnite gumb za oslobađanje cijevi i izvucite cijev.

MONTIRANJE/UKLANJANJE OKRUGLE/RAVNE MLAZNICE PUHALA

■ Montiranje (sl. E & F)

Poravnajte utor u mlaznici za raspršivanje s izbočinom na cijevi i gurajte mlaznicu na cijev sve dok ne sjedne na svoje mjesto.

■ Uklanjanje (sl. G)

Pritisnite i držite gumb za oslobađanje mlaznice kako biste deaktivirali zasun, za povucite mlaznicu ravno s puhalo.

OBAVIJEST: Slijedite isti postupak za montažu i demontažu ravne mlaznice.

HR

UGRADNJA/UKLANJANJE BATERIJSKOG MODULA

Napunite prije prve uporabe.

Upotrebjavajte samo s baterijskim modulima i punjačima koji su navedeni na sl. A.

■ Ugradnja (sl. H)

Poravnajte rebra baterije s utorima za postavljanje i utiskujte baterijski modul prema dolje sve dok ne začujete "klik".

■ Skidanje (sl. I)

Utisnite gumb za oslobađanje baterije i izvucite baterijski modul.

⚠ UPOZORENJE: Prije pritiska gumba za oslobađanje baterije, uvjerite se jesu li vaša stopala, djeca i domaće životinje na sigurnoj udaljenosti. Ako baterijski modul ispadne, može doći do teških ozljeda. NEMOJTE vaditi baterijski modul kada ste u povišenom položaju.

U nastavku pogledajte opis dijelova na sl. H:

H-1	Gumb za oslobađanje baterije	H-3	Montažni utor
H-2	Izbočenje na bateriji		

POKRETANJE/ZAUSTAVLJANJE PUHALA (sl. J)

■ Okidač samo za brzinu zraka

1. Utisnite okidač za brzinu zraka ako želite uključiti puhalo.
2. Brzinu zraka puhalo određuje regulator brzine. Što jače pritisnete regulator, veća će biti brzina puhanja, ako ga pritisnete slabije, manja će biti i brzina puhanja. Prilagodite brzinu zadatku.
3. Otpustite okidač za brzinu zraka ako želite isključiti puhalo.

■ Samo regulator brzine s fiksiranjem

Puhalo možete uključiti i fiksirati na bilo kojoj brzini s pomoću birača za brzinu/fiksiranje.

1. Okrećite regulator brzine s fiksiranjem uredno kako biste pokrenuli puhalo. Brzina zraka povećava se s okretanjem regulatora uredno.
2. Ako želite smanjiti brzinu zraka, regulator brzine s fiksiranjem okrećite uljevo.
3. Ako želite zaustaviti rad puhalo, okrećite regulator brzine s fiksiranjem do isključenog položaja.

OBAVIJEST: Ako regulator brzine s fiksiranjem ne vratite u isključeni položaj prije uključivanja puhalo, ono se neće pokrenuti putem regulatora brzine s fiksiranjem nakon ugradnje napunjene baterije. To je zaštitna funkcija koja onemogućuje nehotično pokretanje. Utiskivanjem okidača za brzinu zraka može se deaktivirati zaštita.

Pritisnite gumb za pojačanje dok radite kako biste privremeno povećali brzinu zraka na maksimalnu razinu. Puhalo će se vratiti na prethodnu brzinu nakon otpuštanja gumba za pojačani rad.

U nastavku pogledajte opis dijelova na sl. J:

J-1	Birač za brzinu/ fiksiranje	J-3	Okidač brzine zraka
J-2	Gumb za pojačanje		

Savjeti za korištenje puhalo

- Kako ne bi došlo do rasipanja tvari, pušite oko vanjskih rubova hrpe ostataka. Nemojte puhati izravno u središte hrpe.
- Pazite na količinu buke – istovremeno koristite ograničen broj alata.
- Prije ispuhivanja koristite grablje i metle kako biste otpustili naslage i nečistoće. U prašnjavim uvjetima, lagano navlažite površinu ako vam je dostupna voda.
- Pazite na djecu, domaće životinje, otvorene prozore i svježe oprane automobile – ispušite nečistoće na siguran način.
- Nakon korištenja puhalo ili druge opreme, očistite ih! Zbrinite nečistoće na pravilan način.
- Ne preporučujemo da puhalo dugo koristite na velikoj brzini jer jake vibracije mogu biti štetne za zdravlje.

ODRŽAVANJE

⚠ UPOZORENJE: Pri servisiranju koristite samo identične zamjenske dijelove. Korištenje drugih dijelova može izazvati opasnost ili prouzročiti oštećenje proizvoda. Radi sigurnosti i pouzdanosti sve popravke treba obavljati kvalificirani servisni tehničar.

⚠ UPOZORENJE: Radi izbjegavanja teških tjelesnih ozljeda, pri čišćenju ili obavljanju podešavanja komplet baterija uvijek izvadite iz proizvoda.

OPĆE ODRŽAVANJE

Pri čišćenju plastičnih dijelova izbjegavajte koristiti otapala. Većina plastika podložne su oštećenju od različitih vrsta komercijalnih otapala i mogu se oštetiti u slučaju njihovog korištenja. Za uklanjanje nečistoće, prašine, ulja, masti i sl. koristite čiste krpe.

⚠ UPOZORENJE: Nemojte dopustiti da kočione tekućine, benzin, proizvodi na bazi nafte, penetrirajuća ulja i sl., dođu u doticaj s plastičnim dijelovima. Kemikalije mogu oštetiti, oslabiti ili uništiti plastiku što može rezultirati teškim tjelesnim ozljedama.

ČUVANJE

- Uklonite baterijski modul iz puhalo.
- Očistite sav strani materijal s ulaza za zrak na puhalo.
- Pohranite ga u zatvorenoj prostoriji koja nije dostupna djeci. Držite podalje od korozivnih sredstava kao što su vrtno kemikalije i soli za odleđivanje.

Zaštita okoliša



Električnu opremu, punjač baterije i baterije/punjive baterije ne odlažite u otpad iz kućanstva!

Prema Europskoj Direktivi 2012/19/EU o električnoj i elektroničkoj opremi koja više nije iskoristiva i prema Europskoj Direktivi 2006/66/EZ neispravne ili iskorištene komplete baterija/baterije potrebno je sakupljati zasebno i zbrinuti na ekološki prihvatljiv način.

Ako se električni uređaji odlažu na odlagališta otpada ili deponije, opasne tvari mogu iscurjeti u podzemne vode i dospjeti u lanac ishrane, oštećujući tako vaše zdravlje i blagostanje.

OTKLANJANJE POGREŠKI

PROBLEM	UZROK	RJEŠENJE
Puhalo ne radi.	<ul style="list-style-type: none">■ Baterijski modul nije postavljen na puhalo.■ Nema električnog kontakta između puhala i baterije.■ Baterijski modul je ispražnjen.■ Baterijski modul i/ili puhalo su prevrući.■ Regulator brzine s fiksiranjem nije vraćen u isključen položaj prije uključivanja puhala.	<ul style="list-style-type: none">■ Postavite baterijski modul na puhalo.■ Izvadite bateriju, provjerite kontakte i ponovno stavite komplet baterija.■ Napunite baterijski modul.■ Hladite baterijski modul i puhalo dok se temperatura ne spusti ispod 67 °C. Utisnite okidač brzine radi deaktiviranja zaštite i pokretanje puhala ili prvo okrenite birač za brzinu/ fiksiranje u isključeni položaj.
Značajno se smanjila brzina strujanja zraka.	<ul style="list-style-type: none">■ Prekomjerno trošenje ventilatora motora.■ Ulaz za zrak je zapriječen nečistoćama.	<ul style="list-style-type: none">■ Za popravak se obratite servisnom centru tvrtke EGO.■ Uklonite baterijski modul, očistite nečistoće.

JAMSTVO**JAMSTVENA POLITIKA PROIZVOĐAČA EGO**

Za cjelokupne uvjete jamstvene politike proizvođača EGO posjetite internetsku stranicu egopowerplus.com.

სრულად გაეცანით ინსტრუქციას!



გაეცანით მომხმარებლის ინსტრუქციას

შენიშვნა: ეს ინსტრუქციები ასევე ხელმისაწვდომია ალტერნატიულ ფორმატში, მაგალითად ვებგვერდზე.

▲ არსებული რისკი! პიროვნებებმა ისეთი ელექტრული მოწყობილობებით, როგორცაა იმპლანტირებული დეფიბრილატორი, უნდა მიმართონ პირად ექიმს რჩევისთვის ამ პროდუქტის გამოყენებამდე. იმპლანტირებულ დეფიბრილატორთან უშუალო სიახლოვეს ელექტრული მოწყობილობის ოპერირებამ შესაძლოა დეფიბრილატორს ხელი შეუშალოს მუშაობაში ან გათიშოს იგი.

▲ გაფრთხილება: ხელსაწყოს უსაფრთხოდ და გამართულად მუშაობისთვის საჭიროა მისი ყველა შეკეთება და ნაწილის შეცვლა შესრულდეს კვალიფიციური სერვისის ტექნიკოსის მიერ.

უსაფრთხოების წესის სიმბოლოები

უსაფრთხოების წესის სიმბოლოების მიზანია მიაქციოთ ყურადღება შესაძლო საფრთხეებს. ყურადღებით გაეცანით და შეისწავლეთ უსაფრთხოების წესის სიმბოლოები და მათი შესაბამისი განმარტებები. უსაფრთხოების წესის სიმბოლოების მინიშნებები თავისთავად არ ანეიტრალებს რაიმე საფრთხის არსებობის რისკს. მათ მიერ მოწოდებული ინსტრუქციები და გაფრთხილებები არ არიან შემთხვევის თავიდან აცილების სწორი პროცედურის შემცველები.

▲ გაფრთხილება: ხელსაწყოს გამოყენებამდე დაწვრილებით გაეცანით და შეისწავლეთ ყველა უსაფრთხოების წესი მომხმარებლის ამ ინსტრუქციაში, მათ შორის ყველა უსაფრთხოების წესის სიმბოლო როგორცაა „საშიშროება“, „გაფრთხილება“ და „ყურადღება“. ქვემოთ ჩამოთვლილი ყველა ინსტრუქციის უგულვებელყოფამ შესაძლოა გამოიწვიოს ელექტრული შოკი, ხანძარი და/ან მოგაყენოთ სერიოზული პირადი ზიანი.

დაზიანების პრევენცია და საინფორმაციო შეტყობინებები

ესენი მიუთითებს მომხმარებელს მნიშვნელოვანი ინფორმაციისა და/ან ინსტრუქციებისკენ, რომელთა მიუდევრობამ შესაძლოა გამოიწვიოს ხელსაწყოს დაზიანება. ყოველ შეტყობინებას წინ უძღვის სიტყვა „შენიშვნა“, როგორც მითითებულაა ქვედა ნიშნულში:

შენიშვნა: მითითებების შეუსრულებლობამ შესაძლოა გამოიწვიოს ხელსაწყოს და/ან ქონების დაზიანება.



▲ გაფრთხილება: ელექტრული ხელსაწყოს გამოყენებისას შესაძლოა უცხო სხეულის თვალის მიდამოში მოხვედრა, რამაც შესაძლოა გამოიწვიოს თვალის მნიშვნელოვანი დაზიანება. ელექტრული ხელსაწყოს გამოყენებამდე აუცილებლად მორჩეთ უსაფრთხოების თვალსაფარი ან სათვალე მყარი თვალის დამცავებით და მთლიანი სახის ეკრანით. ჩვენ რეკომენდაციას ვუწვევთ ფართო ხედვის არის მქონე უსაფრთხოების ნიღაბს სათვალეებთან ერთად ან სტანდარტულ გვერდითა ეკრანების მქონე უსაფრთხოების სათვალეებს.

KA

უსაფრთხოების წესის ინსტრუქცია

ეს გვერდი აჩვენებს და აღწერს იმ უსაფრთხოების წესის სიმბოლოებს, რომლებიც შესაძლოა აღბეჭდილია მოცემულ პროდუქტზე. წაიკითხეთ, შეისწავლეთ და მიყვებით ხელსაწყოს ყველა ინსტრუქციას მის აწყობამდე და ჩართვამდე.

	უსაფრთხოების ნიშანი	გამართბილებელი ზომები, რომლებიც მოიცავენ თქვენს უსაფრთხოებას.
	გაიკეთეთ თვალების დამცავი	ყოველთვის მორგებით უსაფრთხოების თვალსაფარი ან გვერდითა ეკრანების მქონე უსაფრთხოების სათვალე და მთლიანი სახის ეკრანი ხელსაწყოთი სარგებლობისას.
	გაიკეთეთ ყურების დამცავი	ყოველთვის გაიკეთეთ ყურების დამცავი ხელსაწყოთი სარგებლობისას.
	გაეცანით მომხმარებლის ინსტრუქციას	დაზიანების რისკის შესამცირებლად მომხმარებელმა უნდა წაიკითხოს ხელსაწყოს მუშაობის ინსტრუქცია მის გამოყენებამდე.
	მორიდდით სხვა ადამიანები	მოაცილეთ გარეშე პირები ხელსაწყოს მინიმუმ 15 მეტრის დაშორებით.
V	ვოლტი	ძაბვა
A	ამპერი	დენი
Hz	ჰერცი	სიხშირე (ბრუნთა რიცხვი წამში)
W	ვატი	სიმძლავრე
min	წუთი	დრო

m³/h	კუბური მეტრი საათში	ჰაერის მოცულობა
km/h	კილომეტრი საათში	ჰავლის სიჩქარე
~	ცვლადი დენი	დენის ტიპი
⋮	მუდმივი დენი	დენის ტიპი ან სახე
n ₀	დაუტვირთავი ბრუნვის სიჩქარე	დაუტვირთავი ბრუნვის სიჩქარე
... /min	წუთში	ბრუნთა რიცხვი წუთში

ელექტრული ხელსაწყოს გამოყენებისას მირთიადი უსაფრთხოების ზომები უნდა იყოს დაცული, შემდეგის ჩათვლით:

ელექტრული ხელსაწყოს უსაფრთხოების ზოგადი მაჩვენებლები

⚠ გაფრთხილება: გაეცანით ამ ელექტრულ ხელსაწყოსთან დაკავშირებულ უსაფრთხოების ყველა მითითებას, ინსტრუქციას, ილუსტრაციას და სპეციფიკაციას. ქვემოთ ჩამოთვლილი ნებისმიერი ინსტრუქციის უგულებელყოფამ შესაძლოა გამოიწვიოს ელექტროდენის დარტყმა, ხანძარი და/ან მოგაყენოთ სერიოზული ტრავმა.

შეინახეთ ყველა მითითება და ინსტრუქცია სამომავლოდ გამოყენებისთვის.

ტერმინი „ელექტრული ხელსაწყო“ უსაფრთხოების ინსტრუქციაში შეესაბამება ქსელიდან (სადენით) ან აკუმულატორით (უსადენო) მიღებულ დენზე მომუშავე ელექტრულ ხელსაწყოს.

სამუშაო არეს უსაფრთხოება

- დაიცავით სამუშაო არის სისუფთავე და იქონიეთ კარგი განათება. ჩახერგილი ან ბნელი სამუშაო არე იწვევს ინციდენტებს.
- არ ამუშაოთ ელექტრული ხელსაწყო ჰაერში ფეთქებადი საშუალებების არსებობისას, როგორცაა ააღებელი სითხეები, ზენზინი ან მტვერი.

ელექტრული ხელსაწყოები წარმოქმნიან ნაპერწკალს, რომელმაც შესაძლოა აანთოს მტკერი ან აირი.

- **ელექტრული ხელსაწყოთი სარგებლობისას მთავრად მას ზავებები და სხვა პირები.** ყურადღების გაფანტვას შეუძლია გამოიწვიოს ხელსაწყოზე კონტროლის დაკარგვა.

ელექტრული უსაფრთხოება

- **ელექტრული ხელსაწყოს დენის ჩანგალი უნდა ერგებოდეს შტეფსელს.** არასოდეს გაუკეთოთ მოდიფიცირება ხელსაწყოს დენის ჩანგალს. არ გამოიყენოთ ადაპტორები ისეთი ხელსაწყოების დენის ჩანგალზე, რომელსაც აქვს დამიწება. არსებული დენის ჩანგალი და მისი შესაბამისი შტეფსელის არსებობა ამცირებს ელექტრული შოკის რისკს.
- **მოერიდეთ სხეულით დამიწებულ საგნების ზედაპირებთან კონტაქტს, როგორცაა მიღები, რადიატორები, ქურები და მაცივრები.** ელექტრული შოკის მიღების რისკი იზრდება თუ თქვენი სხეული დამიწებულია.
- **არ დატოვოთ ელექტრული ხელსაწყოები წვიმაში ან სველ ადგილას.** ელექტრულ ხელსაწყოში შესული წყალი ზრდის ელექტრული შოკის მიღების რისკს.
- **არ დაზიანოთ დენის სადენი.** არასოდეს გამოიყენოთ სადენი ხელსაწყოს სატარებლად, მოსაქაჩად ან შტეფსელიდან ამოსართველად. დაიცავით დენის სადენი სიმზურვალისან, ზეთისგან, მჭრელი და მოძრავი საგნებისგან. დაზიანებული ან გადახლართული დენის სადენი ზრდის ელექტრული შოკის რისკს.
- **ელექტრული ხელსაწყოთი გარეთ სარგებლობისას გამოიყენეთ დამაგრებელი ხელსაწყო, რომელიც გამოსადეგია გარეთ მუშაობისთვის.** გარეთ მუშაობისთვის შესაბამისი ელექტრული სადენის გამოყენება ამცირებს ელექტრული შოკის რისკს.

- **თუ ელექტრული ხელსაწყოს ნესტიან გარემოში მუშაობა გარდაუვალია, გამოიყენეთ დამიწებაზე დამოკლებიანსა წრედის ამორთვის დაცვის მქონე (GFCI) კვების წყარო.** GFCI წრედის ამორთვის დაცვის მქონე კვების გამოყენება ამცირებს ელექტრული შოკის რისკს.

პირადი უსაფრთხოება

- **ხელსაწყოს გამოყენებისას იცავით ფიზიკურად, იმოქმედეთ დაკვირვებით და სადი აზრის გათვალისწინებით.** არ გამოიყენოთ ხელსაწყო როდესაც ხართ დაღლილი, ან ალკოჰოლის, მედიკამენტების ან ნარკოტიკების ზემოქმედების ქვეშ. ხელსაწყოთი სარგებლობისას მყისიერმა უყურადღებობამ შეიძლება მოგაყენოთ სერიოზული პირადი ზიანი.
- **გამოიყენეთ პირადი დამცავი საშუალებები.** ყოველთვის გაიკეთეთ თვალების დამცავი. შესაბამისი სამუშაო პირობებში დამცავი საშუალებების გამოყენება, როგორცაა მტერის საწინააღმდეგო ნიღაბი, მოცურების საწინააღმდეგო სპეც ფეხსაცმელი, მყარი ჩაფხუტი ან სმენის დამცავი, ამცირებს სამუშაო ტრამეებს.
- **უცაბედი ჩართვის აღკვეთა.** დარწმუნდით რომ ჩამრთველი არის გამორთულ პოზიციასში ხელსაწყოს დენში და/ან აკუმულატორთან მიერთებამდე, ხელსაწყოს მაღლა აწევამდე ან ტარებამდე. ელექტრული ხელსაწყოების ტარება ჩამრთველის დილაკზე დადებული თითით ან ხელსაწყოს დენში მიერთება, რომელსაც გააქტიურებული აქვს ჩართვის დილაკი, იწვევს ინციდენტებს.
- **მოხსენით ნებისმიერი დამაგრებული მარეგულირებელი ხელსაწყო ან ქანჩის გასაღები ჩართვამდე.** ელექტრული ხელსაწყოს მბრუნავ ნაწილზე დამაგრებულმა ქანჩის გასაღებმა ან სხვა მარეგულირებელმა შესაძლოა მოგაყენოთ პირადი ზიანი.

KA

■ **არ გადაიხაროთ.** ყოველთვის დაიცავით ბალანსი და მყარად იდევით ფეხზე. ეს გაძლევთ საშუალებას მოახდინოთ ხელსაწყოს უკეთესი კონტროლი მოულოდნელ სიტუაციებში.

■ ჩაიცვით შესაბამისად. არ ჩაიცვათ განიერი, ფრიალა ტანსაცმელი და ძვირფასეულობა. მოაცილეთ თქვენი თმა, ტანსაცმელი და ხელთათმანები მობრავ ნაწილებს. განიერი, ფრიალა ტანსაცმელი, ძვირფასეულობა და თმა შესაძლოა ჩაითრიოს მობრავა ნაწილებმა.

■ თუ არსებობს მტკრის ან ნარჩენების შემგროვებელი საშუალებების შეერთების ადგილები, დარწმუნდით რომ ისინი სწორადაა დაკავშირებული და გამოყენებული. მტკრისთვის განკუთვნილი საშუალებების გამოყენებამ შესაძლოა შეამციროს მასთან დაკავშირებული საფრთხეები.

■ შეეცადეთ, მსგავს ხელსაწყოებთან ხშირი მუშაობის გამოცდილებამ არ გამოიწვიოს თქვენი თავდაჯერებულობა და არ მოახდინოთ ხელსაწყოს უსაფრთხოების პრინციპების იგნორირება. უგულისყურო საქციელმა წამის მეთაღმდეგ კი შესაძლოა გამოიწვიოს სერიოზული ტრავმა.

ელექტრული ხელსაწყოს გამოყენება და მოვლა

■ **არ დაატანოთ ძალა ხელსაწყოს.** გამოიყენეთ სწორი ხელსაწყო თქვენი მიზნებისთვის. სწორი ხელსაწყო უკეთ და უფრო უსაფრთხოდ გააკეთებს იმ საქმეს, რომლისთვისაც განკუთვნილია იგი.

■ არ გამოიყენოთ ხელსაწყო თუ ჩამრთველი არ რთავს ან თიშავს მას. ნებისმიერი ხელსაწყო, რომელიც ვერ კონტროლდება ჩამრთველით, სახიფათოა და საჭიროებს შეკეთებას.

■ გათიშეთ დენის ჩანგალი შტეფსელიდან და/ან მოხსენით აკუმულატორი ხელსაწყოს ნებისმიერი რეგულირებისას, ნაწილის ცვლილებისას ან ხელსაწყოს შენახვამდე. მსგავსი პრევენციული უსაფრთხოების ზომები ამცირებს ელექტრული ხელსაწყოს უცაბედი ჩართვის რისკს.

■ გათიშული ელექტრული ხელსაწყოები შეინახეთ ზავშეცხვისთვის მიუწვდომელ ადგილას და არ მისცეთ ხელსაწყოს გამოყენების უფლება მისით სარგებლობის არმცოდნე ან მის ინსტრუქციაში ჩაუხედავ პირებს. ელექტრული ხელსაწყოები გამოუცდელი პირების ხელში სახიფათოა.

■ მოუარეთ ელექტრულ ხელსაწყოს. შეამოწმეთ მობრავი და შემაკავშირებელი ნაწილების ურთიერთწინავევლება, ნაწილების დაზიანება და სხვა მდგომარეობა, რომელმაც შეიძლება გავლენა იქონიოს ხელსაწყოს მუშაობაზე. დაზიანების შემთხვევაში შეაკეთეთ ხელსაწყო გამოყენებამდე. ბევრი ინციდენტი გამოწვეულია ცუდად მოვლილი ელექტრო ხელსაწყოების გამო.

■ მჭრელი ხელსაწყოები იქონიეთ სუფთა და ბასრ მდგომარეობაში. სწორად მოვლილი ბასრი დანის პირის მქონე მჭრელი ხელსაწყოების გახლართვა ნაკლებად ალბათურია და მათი კონტროლიც გაადვილებულია.

■ გამოიყენეთ ეს ხელსაწყო, მისი ნაწილები, მათი დამჭერები და ა.შ. ინსტრუქციის მიხედვით, სამუშაო გარემოს და სამუშაოს ტიპის გათვალისწინებით. ელექტრული ხელსაწყოს არადანიშნულებისამებრ გამოყენებამ შესაძლოა შექმნას სახიფათო სიტუაცია.

■ იქონიეთ სახელურები და ხელის ჩასაჭიდი სხვა ზედაპირები მშრალ და სუფთა მდგომარეობაში, მათ შორის ცხიმისა და ზეთის გარეშე. სრიალა სახელურები და ხელის ჩასაჭიდი ზედაპირები არ იძლევა ხელსაწყოს უსაფრთხო მოპყრობისა და კონტროლის საშუალებას მოულოდნელ სიტუაციებში.

აკუმულატორის გამოყენება და მოვლა

■ დატენით მხოლოდ მწარმოებლის მიერ მითითებული დამტენი მოწყობილობით. დამტენმა მოწყობილობამ, რომელიც თავსებადია ერთი ტიპის აკუმულატორთან, შესაძლოა წარმოშვას ხანძრის გაჩენის რისკი სხვა აკუმულატორზე გამოყენებისას.

- გამოიყენეთ ელექტრული ხელსაწყოები მხოლოდ სპეციალურად აღნიშნული აკუმულატორებით. სხვა აკუმულატორების გამოყენებამ შესაძლოა წარმოშვას ფიზიკური დაზიანების ან ხანძრის რისკი.
- როდესაც აკუმულატორს არ იყენებთ, მოაცილეთ იგი ლითონის საგნებს, როგორცაა ქაღალდის კლიპი, მონეტა, გასაღები, ლურსმანი, ხრახნი ან სხვა მცირე ზომის ლითონის საგნები, რომელთაც შეუძლიათ აკუმულატორის კონტაქტების დამოკლება. აკუმულატორის კონტაქტების დამოკლებამ შესაძლოა გამოიწვიოს დამწვრობა ან ხანძარი.
- არასწორი მოპყრობის შემთხვევაში სითხემ შესაძლოა გამოჟონოს აკუმულატორიდან; მოერიდეთ მასთან შეხებას. თუ შემთხვევით შეეხეთ სითხეს, ჩამოიბანეთ წყლით. თუ სითხე მოხვდა თვალებში, მიმართეთ ექიმს. აკუმულატორიდან გამოჟონილმა სითხემ შესაძლოა გამოიწვიოს გაღიზიანება ან დამწვრობა.
- არ გამოიყენოთ აკუმულატორი ან ხელსაწყო, რომელიც დაზიანებული ან გადააკეთებულია. დაზიანებულმა ან გადააკეთებულმა აკუმულატორმა შესაძლოა გამოავლინოს არაპროგნოზირებადი მოქმედება, რამაც შეიძლება გამოიწვიოს ხანძარი, აფეთქება ან ტრავმის რისკი.
- არ მოათავსოთ აკუმულატორის ბლოკი ან ხელსაწყო ცეცხლში ან მაღალ ტემპერატურაზე. 130 °C-ზე მაღალი ტემპერატურის ზემოქმედებამ შესაძლოა აფეთქება გამოიწვიოს.
- იხელმძღვანელებით დამუხტვის ინსტრუქციებით და არ დამუხტოთ აკუმულატორის ბლოკი ან ხელსაწყო ინსტრუქციაში მითითებული ტემპერატურის დიაპაზონის ფარგლებს გარეთ. აკუმულატორის არასწორი ან ინსტრუქციაში მითითებული ტემპერატურის დიაპაზონის ფარგლებს გარეთ დამუხტვა ზრდის ხანძრის რისკს.

მომსახურება

- ხელსაწყოთა დაკავშირებული ტექნიკური მომსახურება შეასრულებინეთ კვალიფიციურ პირს მხოლოდ იდენტური სათადარიგო ნაწილების გამოყენებით. ეს უზრუნველყოფს ხელსაწყოს უსაფრთხოდ მუშაობის რეჟიმის შენარჩუნებას.
- არასოდეს შეაკეთოთ დაზიანებული აკუმულატორის ბლოკები. აკუმულატორების მომსახურება მხოლოდ მწარმოებლის ან მომსახურების ავტორიზებული მომწოდებლის მიერ არის შესაძლებელი.

სრულად გაეცანით ინსტრუქციას ამ პროდუქტის გამოყენებამდე!

ტრენინგი

- არასოდეს მისცეთ ხელსაწყოთი სარგებლობის უფლება ზავშვებს, შეზღუდული ფიზიკური, მგრძობილობის ან მეტალური შექცობილობის მქონე პირებს ან ცოდნისა და გამოცდილების არმქონე, მოწყობილობის გამოყენების ინსტრუქციების არმცოდნე პირებს.
- ოპერატორი ან მომხმარებელი პასუხისმგებელია იმ შემთხვევებზე ან საფრთხეებზე რაც შესაძლოა დაემუქროს სხვა პირებს ან მათ ქონებას.

მომზადება

- ელექტრო ხელსაწყოს გამოყენება შესაძლებელია წვიმის დროს ან სველ პირობებში. გააშრეთ ხელსაწყო სამუშაოს დასრულების შემდეგ.
- გამოყენებამდე შეამოწმეთ აკუმულატორი და მისი ბლოკი დაზიანებაზე. არ გამოიყენოთ ხელსაწყო თუ მისი აკუმულატორი ან ელემენტების ბლოკი დაზიანებულია.

ექსპლუატაცია

- ელექტრო ხელსაწყოს გამოყენება შესაძლებელია წვიმის დროს ან სველ პირობებში. გააშრეთ ხელსაწყო სამუშაოს დასრულების შემდეგ.

KA

- ამოიღეთ ელემენტები ან აკუმულატორი:
 1. როდესაც უყურადღებოდ ტოვებთ ხელსაწყოს;
 2. გაჭედული საგნებისგან გაწმენდამდე;
 3. ხელსაწყოს შემოწმებამდე, გაწმენდამდე ან ჩართვამდე;
 4. თუ მოწყობილობა იწყებს უჩვეულო ვიბრაციას.
- ყოველთვის დაწმუნდით, რომ გაქვთ მყარი საყრდენი ხელსაწყოს ფერდობზე გამოყენებისას.
- არასოდეს ირბინოთ, მხოლოდ იარეთ.
- ხელსაწყოზე ჰაერის გამაგრებლის შესასვლელი იქონიეთ ნარჩენებისგან თავისუფალ მდგომარეობაში.
- ხელსაწყოთი სარგებლობა რეკომენდებულია მხოლოდ დღის მართებულ საათებში – არა ადრე დილით ან გვიან ღამით, როცა შესაძლოა სხვა ადამიანები შეაწუხოთ.
- რეკომენდირებულია მტრიან არეში ზედაპირის ოდნავ დანოტივება ან დამორთქლავი მიმაგრების გამოყენება.

▲ გაფრთხილება: უფრთხილდით მბრუნავ ნაწილებს!

- გამოიყენეთ საბერველას ჰავლური ბუნკის დამაგრებელი, რათა ჰაერის ჰავლი დატრიალდეს მიწასთან ახლოს.
- არ ამუშაოთ მოწყობილობა ღია ფანჯრების და ა.შ. მახლობლად.

ვესპლუატაცია და შენახვა

- მჭიდროდ დაუჭირეთ ყველა ქანჩი, ჭანჭი და ხრახნი, რათა დარწმუნდეთ რომ ხელსაწყო უსაფრთხო საშუალო მდგომარეობაშია.
- გამოცვალეთ გაცვეთილი ან დაზიანებული ნაწილები.
- გამოიყენეთ მხოლოდ ორიგინალი ნაწილები ან აქსესუარები.
- ხელსაწყო შეინახეთ მხოლოდ მშრალ ადგილას.

▲ გაფრთხილება: იმისათვის რომ შეამციროთ ხანძრის, ელექტროდენის დარტყმის ან ტრავმის რისკი:

მნიშვნელოვანი

გამოყენებამდე ყურადღებით წაიკითხეთ. შეინახეთ სამომავლოდ გაცნობისთვის.

- არავის მისცეთ საშუალება საბერველა გამოიყენოს, როგორც სათამაშო. ბავშვებთან ახლოს ან ბავშვების მიერ ხელსაწყოს გამოყენებისას განსაკუთრებული ყურადღებაა საჭირო.
 - თუ საბერველა არ მუშაობს ისე როგორც საჭიროა, ძირს დაგარდა, დაზიანდა ან წყალში ჩავარდა, დააბრუნეთ ის მომსახურების ცენტრში.
 - არ ჩადოთ რაიმე საგანი ხელსაწყოს ღია სივრცეებში. არ გამოიყენოთ ხელსაწყო, თუ ღია სივრცეები დაბლოკილია; იქონიეთ საჰაეროები თავისუფალი მტერისგან, ბუსუსებისგან, თმების ან სხვა საგნებისგან, რამაც შესაძლოა შეამციროს ჰაერის ჰავლი.
 - გამოიჩინეთ განსაკუთრებული სიფრთხილე, როდესაც ასუფთავებთ კიბეზე.
 - არ დატოვოთ საბერველა უყურადღებოდ, როცა აკუმულატორის დენის ჩანგალი შეერთებულია. მოხსენით აკუმულატორი, როცა საბერველა არ არის გამოყენებაში ან ტექნიკური მომსახურების დაწყებამდე.
 - არ მოკიდოთ სველი ხელები დამტენ მოწყობილობას, მის დენის ჩანგალს ან დამტენის კონტაქტებს.
 - არ დატენოთ აკუმულატორის ბლოკი გარეთ.
- ▲ გაფრთხილება:**
- აკუმულატორი უნდა ამოვიდოთ ხელსაწყოდან მის უტილიზაციამდე.
 - აკუმულატორის უტილიზაცია უნდა მოხდეს უსაფრთხოების წესის შესაბამისად.
- არ შეეცადოთ გაჭედული ნარჩენების გასუფთავებას აკუმულატორის მოხსნამდე.
 - იქონიეთ საბერველა და მისი სახელური მშრალ, სუფთა, ცხიმისა და ზეთისგან თავისუფალ მდგომარეობაში.

KA

ყოველთვის გამოიყენეთ სუფთა ტილო გაწმენდისას. არასოდეს გამოიყენოთ სამუხრუჭე სითხე, ბენზინი, ნავთობზე დამზადებული პროდუქტები ან სხვა ძლიერი გამხსნელები საბერველას გასაწმენდად. ამ წესის დაცვა შეამცირებს კონტროლის დაკარგვის რისკს და პლასტმასის ბუდის ცვეთას.

- **აკუმულატორები შესაძლოა აფეთქდეს ანთების წყაროს არსებობისას, როგორცაა ამნთები ნათურა.** სერიოზული ტრავმის მიღების რისკის შესამცირებლად, არასოდეს გამოიყენოთ უსადენო ხელსაწყო ანთებული ცეცხლის მახლობლობად. აფეთქებულმა აკუმულატორმა შესაძლოა გამოტყორცნოს ნარჩენები და ქიმიური ნივთიერებები. სხეულზე მოხვედრისას დაუყოვნებლივ ჩამოიბანეთ წყლით.
- **არასოდეს ამუშაოთ ხელსაწყო შესაბამისი ნაწილების გარეშე.** ყოველთვის დარწმუნდით რომ საბერველას მილი დამონტაჟებულია.
- **არასოდეს გამოიყენოთ საბერველა ცეცხლის ან ნაკვერჩხლების მახლობლად.** ცეცხლის ან ნაკვერჩხლების მახლობლად საბერველას გამოყენებამ შესაძლოა გამოიწვიოს ცეცხლის გავრცელება და სერიოზული ტრავმა და/ან ქონების დაზიანება.
- **არასოდეს გამოიყენოთ საბერველა ქიმიური ნივთიერებების, სასუქის და სხვა ტოქსიური ნივთიერებების გაფრქვევისთვის.** მსგავსი ნივთიერებების გაფრქვევამ შესაძლოა მოუტანოს სერიოზული ზიანი მომხმარებელს ან მახლობლად მყოფ პირებს.
- **შეინახეთ ეს ინსტრუქცია.** ხშირად იხელმძღვანელებთ ინსტრუქციით და გამოიყენებთ სხვა ადამიანების მითითებებისთვის, ვისაც სურს ამ ხელსაწყოს გამოყენება. თუ ათხოვებთ ხელსაწყოს სხვა პირს, ასევე ათხოვებთ მას ეს ინსტრუქცია, რათა თავიდან აიცილოთ ხელსაწყოს არასათანადო გამოყენება და შესაძლო ტრავმა.

შეინახეთ ეს ინსტრუქცია!

სპეციფიკაციები

ძაბვა	56 ვოლტი
მაქსიმალური ჰაერის მოცულობა ბუნიკზე	986 მ ³ /სთ
რეკომენდირებული საექსპლუატაციო ტემპერატურა:	-15°C-40°C
რეკომენდირებული დასაწყობების ტემპერატურა:	-20°C-70°C
მაქსიმალური ჰაერის სიჩქარე	65m/s (без круглих форсунок)
	75m/s (მრგვალი ბუნიკით)
მახლოებითი მუშაობის პერიოდი (EGO 5.0Ah აკუმულატორით)	18 წთ (ბუსტის რეჟიმი)
	30 წთ (მაღალი სიჩქარე)
	200 წთ (დაბალი სიჩქარე)
დაბერვის მაქსიმალური ძალა	18N
საბერველას წონა (აკუმულატორის გარეშე)	2.18 კგ
გაზომილი ხმის სიმძლავრის დონე L _{WA}	94.73 dB(A) K=2.83 dB(A)
ბგერის წნევის დონე მომხმარებლის ყურზე L _{PA}	78.4 dB(A) K=2.5 dB(A)
გარანტირებული ხმის სიმძლავრის დონე L _{WA} (2000/14/EC რეგულაციის მიხედვით)	98 dB(A)
ვიბრაცია a _h	0.505 მ/წმ ² K=1.5 მ/წმ ²

- მითითებული ვიბრაციის სრული მნიშვნელობა გაზომილია სტანდარტული ტესტირების მეთოდით და შესაძლოა გამოყენებულ იქნას ერთი ხელსაწყოს მეორესთან შედარებისას.
- მითითებული ვიბრაციის სრული მნიშვნელობა ასევე შესაძლოა გამოყენებულ იქნას ზემოქმედების პირველადი შეფასებისას.

KA

შენიშვნა: ელექტრული ხელსაწყო ვიზრაციის ემისია გამოიყენებისას შესაძლოა განსხვავდებოდეს მითითებული ოდენობისგან; მომხმარებელმა ხელსაწყოთი სარგებლობისას საჭიროა გამოიყენოს ხელთათმანები და ყურის დამცავი საშუალებები.

შეფუთვის ჩამონათვალი

ნაწილის დასახელება	რაოდენობა
საბერველა	1
საბერველას მილი	1
მისამაგრებელი ბუნჯი	2
მომხმარებლის ინსტრუქცია	1

აღწერა

შეისწავლეთ თქვენი საბერველა (ნახ. A)

1. ბრტყელი ბუნჯი
2. მრგვალი ბუნჯი
3. საბერველას მილი
4. მილის მოხსნის დილაკი
5. ბაზა
6. შემსრუტავი საჭაერო
7. აკუმულატორის ამომგდები
8. ელექტრული კონტაქტები
9. ჩამკეტი
10. აკუმულატორის მოხსნის დილაკი
11. ჭავლის სიჩქარის ტრიგერი
12. ბუსტის დილაკი
13. სიჩქარის/ჩამკეტი სელექტორი

⚠ გაფრთხილება: ამ ხელსაწყოს უსაფრთხო გამოყენება საჭიროებს მის შესახებ ინფორმაციისა და მომხმარებლის ინსტრუქციის გაცნობას, ასევე იმ სამუშაოს ცოდნას, რომლის შესრულებასაც აპირებთ. ხელსაწყოს გამოყენებამდე კარგად გაეცანით მის მუშა ფუნქციებს და უსაფრთხოების წესებს.

KA

ანყოფა

⚠ გაფრთხილება: თუ რომელიმე ნაწილი დაზიანებულია ან დაკარგულია, არ ისარგებლოთ ხელსაწყოთი სანამ ყველა ნაწილი არ შეიცვლება. ხელსაწყოთი სარგებლობას დაზიანებული ან დანაკლისი ნაწილებით შესაძლოა მოჰყვეს სერიოზული პირადი ზიანი.

⚠ გაფრთხილება: არ სცადოთ ხელსაწყოს გადაკეთება ან ისეთი ნაწილების გამოყენება, რომლებიც არაა რეკომენდირებული ამ საბერველასთვის. ნებისმიერი მსგავსი ცვლილება ან მოდიფიკაცია არის ხელსაწყოს არასათანადო გამოყენება და შესაძლოა წარმოქმნას სახიფათო მდგომარეობა, რომელმაც შესაძლოა გამოიწვიოს სერიოზული პირადი ზიანი.

⚠ გაფრთხილება: უცაბედი ჩართვის გამოსარიცხად, რომელმაც შესაძლოა გამოიწვიოს სერიოზული პერსონალური ზიანი, ყოველთვის მოხსენით აკუმულატორი ხელსაწყოს, როდესაც ხდება მისი აწყობა.

გამოყენება

თქვენ შეგიძლიათ გამოიყენოთ ხელსაწყო ქვემოთ ჩამოთვლილი მიზნებისთვის:

- მყარი ზედაპირების გასუფთავება, როგორცაა შენობასთან მისასვლელი გზა ან ქვეითთა ბილიკი.
- შენობასთან მისასვლელი გზისა და ტერასის ფოთლებისგან და წიწვებისგან გასუფთავება.
- **შენიშვნა:** ხელსაწყოს გამოყენება შესაძლებელია მხოლოდ დანიშნულებისამებრ. სხვა ნებისმიერი სარგებლობა ჩაითვლება როგორც არამიზნობრივი გამოყენების შემთხვევა.

საბერველას მილის მიმაგრება/მოხსნა

■ მისამაგრებლად (ნახ. B & C)

გაუსწორეთ სიღრუეს და ჩასვით მილი საბერველას ბუდეში სანამ არ გაიგებთ „წკაპ“ ხმას.

■ მოსახსნელად (ნახ. D)

დააჭირეთ მილის მოხსნის დილაკს და გამოქაჩეთ მილი.

მრგვალი/ბრტყელი საბერველას მილის ბუნიკის მიმაგრება/მოხსნა

■ **მისამაგრებლად (ნახ. E & F)**

გაუსწორეთ გასაფანტ ბუნიკზე არსებული სიღრმე მილზე არსებულ კნოპს და ჩამოაცვით ბუნიკი მილზე სანამ მჭიდროდ არ დამაგრდება.

■ **მოსახსნელად (ნახ. G)**

დააჭირეთ ბუნიკის მოსახსნელ დილაკს რათა გახსნათ ჩამკეტი და შემდეგ მოხსენით ბუნიკი საბერველას.

შენიშვნა: მისდით იგივე ნაბიჯებს რათა მიამაგრეთ ან მოხსნათ ბრტყელი ბუნიკი.

აკუმულატორის დამონტაჟება/მოხსნა დატენით პირველ ჯერზე სარგებლობამდე.

გამოიყენეთ მხოლოდ ის აკუმულატორის ბლოკები და დამტენები, რომლებიც მითითებულია სურ. A-ში

■ **დასამონტაჟებლად (ნახ. H)**

გაუსწორეთ აკუმულატორის სამაგრები ბუდის ნასვრეტებს და დააწეით აკუმულატორს, სანამ არ გაიგებთ „წკაპ“ ხმას.

■ **მოსახსნელად (ნახ. I)**

დააჭირეთ აკუმულატორის გამშვებ დილაკს და ამოიღეთ აკუმულატორი.

⚠ გაფრთხილება: ყოველთვის შეამოწმეთ თქვენი ფეხების, ბავშვების ან შინაური ცხოველების მდებარეობა აკუმულატორის გამშვები დილაკის დაჭერისას. აკუმულატორის დაცვამ შესაძლოა გამოიწვიოს სერიოზული ფიზიკური ზიანი. არასდროს მოხსნათ აკუმულატორი სიმაღლეზე ყოფნისას.

ნახ. H ნაწვენები ნაწილების აღწერა მოცემულია ქვევით:

H-1	აკუმულატორის მოხსნის დილაკი	H-3	სამაგრი ნასვრეტი
H-2	აკუმულატორის სამაგრი		

საბერველას ჩართვა/გამორთვა (ნახ. J)

■ **მხოლოდ ჭავლის სიჩქარის ტრიგერის შემთხვევაში**

1. დააჭირეთ ჭავლის სიჩქარის ტრიგერს, რათა ჩართოთ საბერველა.
2. საბერველას ჰაერის ჭავლის სიჩქარე კონტროლდება ცვლადი სიჩქარის ტრიგერით. მეტი დაწოლა ტრიგერზე წარმოქმნის მაღალი სიჩქარის ჭავლს; ნაკლები დაწოლა ტრიგერზე წარმოქმნის მცირე სიჩქარის ჭავლს. დაარეგულირეთ სიჩქარე შესასრულებელი სამუშაოს მიხედვით.
3. ხელი აუშვით ჭავლის სიჩქარის ტრიგერს, რათა გამორთოთ საბერველა.

მხოლოდ სიჩქარის/ჩამკეტი სელექტორის შემთხვევაში

საბერველას ჩართვა და ნებისმიერ სიჩქარეზე რეგულირება შესაძლებელია სიჩქარის/ჩამკეტი სელექტორით.

1. დაატრიალეთ სიჩქარის/ჩამკეტი სელექტორი საათის ისრის მიმართულებით საბერველას ჩასართველად. ჰაერის ჭავლის სიჩქარე გაიზრდება სელექტორის საათის ისრის დატრიალებით.
2. ჭავლის სიჩქარის შესამცირებლად დაატრიალეთ სიჩქარის/ჩამკეტი სელექტორი საათის ისრის საწინააღმდეგო მიმართულებით.
3. გააგრძელეთ სიჩქარის/ჩამკეტი სელექტორი საათის ისრის საწინააღმდეგო მიმართულებით ტრიალი საბერველას გამოსართველად.

შენიშვნა: თუ სიჩქარის/ჩამკეტი სელექტორი არ არის დატრიალებული გათიშვის პოზიციამდე საბერველას ჩართვამდე, იგი არ დაიწყებს მუშაობას სიჩქარის/ჩამკეტი სელექტორის მოძრაობით როცა დამუხტული აკუმულატორი მიუერთდება ხელსაწყოს. ეს არის დამცავი მექანიზმი, რომელიც გვეხმარება თავიდან ავიცილოთ ხელსაწყოს უცაბედი ჩართვა. ჭავლის სიჩქარის ტრიგერის დაჭერას შეუძლია ამ დაცვის გამოთიშვა.

KA

დაჭირეთ ბუსტის დილაკს მუშაობის პროცესში, რათა დროებით გაზარდოთ ჭავლის სიჩქარე მაქსიმუმამდე. საბერველა გააგრძელებს წინა სიჩქარით მუშაობას ბუსტის დილაკზე ხელის გაშვების შემდეგ.

ნახ. J ნაჩვენები ნაწილების აღწერა მოცემულია ქვევით:

J-1	სიჩქარის/ჩამკეტი სელექტორი	J-3	ჭავლის სიჩქარის ტრიგერი
J-2	ბუსტის დილაკი		

რჩევები საბერველას გამოყენებასთან დაკავშირებით

- დაუბერეთ ნარჩენი სხეულების გროვის გარეთა კიდეების გასწვრივ, რათა თავიდან აიცილოთ მათი გაფანტვა. არასოდეს დაუბეროთ ნარჩენი საგნების გროვის ცენტრისკენ.
- ხმაურის შესამცირებლად შეზღუდეთ ერთდროულად გამოყენებული ხელსაწყოების რაოდენობა.
- გამოიყენეთ ფოცხი ან ცოცხი საგნების გასაფანტად საბერველას ჩართვამდე. მტრიან არეში ოდნავ დაასველეთ ზედაპირი თუ წყალი ხელმისაწვდომია.
- მოერიდეთ ბავშვებს, შინაურ ცხოველებსმ დია ფანჯრებს ან ახლად გარეცხილ მანქანებს და სხვა მიმართულებით დაუბერეთ ნარჩენ საგნებს.
- საბერველას ან სხვა ხელსაწყოების გამოყენების შემდეგ, გაასუფთავეთ არე! მოახდინეთ ნარჩენი სხეულები ჯეროვანი უტილიზირება.
- საბერველას მაღალ სიჩქარეზე დიდი ხნით მუშაობა არ არის რეკომენდირებული, რადგან დიდი ვიბრაცია შესაძლოა საზიანო იყოს თქვენი ჯანმრთელობისთვის.

ექსპლუატაცია

▲ გაფრთხილება: ტექნიკური სერვისისას გამოიყენეთ მხოლოდ იდენტური სათადარიგო ნაწილები. სხვა ნებისმიერი ნაწილის გამოყენებამ შესაძლოა შექმნას საფრთხე ან გამოიწვიოს ხელსაწყო დაზიანება. ხელსაწყო უსაფრთხოდ და გამართულად მუშაობისთვის საჭიროა მისი ყველა შეკეთება და ნაწილის შეცვლა შესრულდეს კვალიფიციური სერვისის ტექნიკოსის მიერ.

▲ გაფრთხილება: სერიოზული პერსონალური ზიანისგან თავის არიდების მიზნით ყოველთვის მოხსენით აკუმულატორი ხელსაწყოს როდესაც წმინდავთ მას ან უტარებთ რაიმე ტიპის სერვისს.

ზოგადი მოვლის წესი

მოერიდეთ გამხსნელების გამოყენებას ხელსაწყოს პლასტმასის ნაწილების გაწმენდისას. უმეტესობა პლასტმასები ადვილად ზიანდება მათზე გამხსნელების გამოყენების შედეგად. გამოიყენეთ სუფთა ტილო ტალახის, მტვრის, ზეთის, ცხიმის და სხვ. მოსაცილებლად.

▲ გაფრთხილება: არცერთ შემთხვევაში არ მისცეთ სატორმუზო სითხეს, ბენზინს, ნავთობის ბაზაზე დამზადებულ პროდუქტებს ან სხვა ძლიერი გამხსნელებს მოვიდნენ პლასტმასის ნაწილებთან კონტაქტში. ქიმიურმა ნაერთებმა შესაძლოა დააზიანოს, გაცვითოს და დაშალოს პლასტმასი, რამაც შეიძლება მოგაყენოთ სერიოზული პირადი ზიანი.

შენახვა

- მოხსენით აკუმულატორი საბერველას.
- გაწმინდეთ საბერველას ჰაერის ჭავლის შესავალები ნებისმიერი უცხო ნარჩენებისგან.
- შეინახეთ ის შენობაში ბავშვებისთვის მიუწვდომელ ადგილას. მოაცილეთ კოროზიის გამომწვევი ნივთიერებები, როგორცაა სოფლის მეურნეობაში გამოყენებული ქიმიკატები და მოყინვის საწინააღმდეგო ტექნიკური მარილი.

გარემოს დაცვა



არ მოახდინოთ ელექტრული მოწყობილობის, აკუმულატორის დამტენის და მისი ბატარეების მოთავსება საყოფაცხოვრებო ნაგავში!

ევროკავშირის 2012/19/EU რეგულაციის მიხედვით, ელექტრული და ელექტრონული ხელსაწყოები, რომლებიც აღარ გამოიყენება, ასევე 2006/66/EC რეგულაციის მიხედვით, დეფექტური ან გამოყენებული აკუმულატორები/ბატარეები, უნდა შეგროვდეს ცალკეულად და მოხდეს მათი უტილიზირება გარემოს დაცვის პრინციპების გათვალისწინებით.

ელექტრული მოწყობილობების ნაგავსაყრელზე მოთავსებისას, სახიფათო ნარჩენები შესაძლოა გაიჟონოს გრუნტის წყლებში და მოხდეს საკვებ ჯაჭვში, რამაც შესაძლოა დააზიანოს თქვენი ჯანმრთელობა და კეთილდღეობა.

KA



გაუმართაობის დიაგნოსტიკა

პრობლემა	მიზეზი	გადაჭრის გზა
საბერველა არ მუშაობს.	<ul style="list-style-type: none"> ■ აკუმულატორი არ არის შეერთებული საბერველაზე. ■ საბერველასა და აკუმულატორს შორის არ არის ელექტრული კონტაქტი. ■ აკუმულატორი დაცლილია. ■ აკუმულატორი ან საბერველა ზედმეტად გაცხელებულია. ■ სიჩქარის/ჩამკეტი სელექტორი არ დაატრიალეთ გათიშვის პოზიციაში საბერველას ხელახალ ჩართვამდე. 	<ul style="list-style-type: none"> ■ მიუერთეთ აკუმულატორი საბერველას. ■ მოხსენით აკუმულატორი, შეამოწმეთ კონტაქტები და კვლავ მოათავსეთ იგი უკან. ■ დატენეთ აკუმულატორი. ■ აცალეთ საბერველას ან აკუმულატორს გაგრილება 67°C-ის ქვევით. დააჭირეთ ჰაერის ჭავლის სიჩქარის ტრიგერს დაცვის გამოსათიშად და ჩართეთ საბერველა სიჩქარის/ჩამკეტი სელექტორის გათიშვის პოზიციაში გადაყვანის შემდეგ.
ჰაერის ჭავლის სიჩქარე საგრძნობლად იკლებს.	<ul style="list-style-type: none"> ■ მობრის ვენტილატორის მნიშვნელოვანი ცვეთა. ■ ჰაერის ჭავლის შესავალი დახშულია უცხო ნარჩენებით. 	<ul style="list-style-type: none"> ■ მიმართეთ EGO-ს მომსახურების ცენტრს შეკეთებისთვის. ■ მოხსენით აკუმულატორი ხელსაწყოს, გაწმინდეთ ნარჩენი სხეულები.

გარანტია

EGO-ს გარანტიის მომსახურების წესი

გთხოვთ ეწვიოთ ვებ-გვერდს egopowerplus.com, რათა მიიღოთ EGO-ს საგარანტიო მომსახურების სრული დადგენილებები და პირობები.

KA

236

56 ვოლტანი ლითიუმ-იონის აკუმულატორიანი უსადენო ელექტროსაბერველა — LB5800E

PROČITAJTE SVA UPUTSTVA!



PROČITAJTE PRIRUČNIK ZA RUKOVAOCA

NAPOMENA: Ovo uputstvo će biti dostupno i u alternativnom formatu, npr. na veb-lokaciji.

⚠ Rezidualni rizik! Osobe sa elektronskim uređajima, poput pejsmejкера, treba da konsultuju svog lekara (svoje lekare) pre upotrebe ovog proizvoda. Rukovanje električnom opremom u neposrednoj blizini srčanog pejsmejкера moglo bi da izazove smetnje ili otkazivanje pejsmejкера.

⚠ UPOZORENJE: Da bi se osigurala sigurnost i pouzdanost, sve popravke i zamene treba da radi kvalifikovani servisni tehničar.

SIGURNOSNI SIMBOLI

Svrha sigurnosnih simbola je da vam skrenu pažnju na moguće opasnosti. Sigurnosni simboli i objašnjenja uz njih zaslužuju vašu pomnu pažnju i shvatanje. Simboli upozorenja, sami po sebi, ne eliminišu nikakve opasnosti. Uputstva i upozorenja koja oni daju nisu zamena za odgovarajuće mere sprečavanja nezgoda.

⚠ UPOZORENJE: Obavezno pročitajte i shvatite sva sigurnosna uputstva u ovom Priručniku za rukovaoca, obuhvatajući i sve simbole sigurnosnih upozorenja poput „**OPASNOST**“, „**UPOZORENJE**“ i „**OPREZ**“ pre korišćenja ovog alata. Nepridržavanje svih dolenađenih uputstava može da dovede do strujnog udara, požara i/ili ozbiljne telesne povrede.

INFORMATIVNA OBAVEŠTENJA O SPREČAVANJU ŠTETE

Ona obaveštavaju korisnika o važnim informacijama i/ili uputstvima čije nepoštovanje može da dovede do oštećenja opreme ili druge imovine. Svakom obaveštenju prethodi reč „**NAPOMENA**“, kao u primeru ispod:

NAPOMENA: Može doći do oštećenja opreme i/ili imovine ako se ova uputstva ne slede.





⚠ UPOZORENJE: Rukovanje svakim električnim alatom može da dovede do izbacivanja stranih tela ka očima, što može da dovede do ozbiljnog oštećenja očiju. Pre započinjanja rada sa električnim alatom, uvek stavite sigurnosne naočare sa bočnim štيتnicima ili po potrebi masku za celo lice. Preporučujemo sigurnosnu masku Wide Vision za upotrebu preko naočara ili standardnih sigurnosnih naočara sa bočnim štيتnicima.

SIGURNOSNA UPUTSTVA

Ova stranica prikazuje i opisuje sigurnosne simbole koji mogu da se pojave na ovom proizvodu. Pročitajte, shvatite i sledite sva uputstva na mašini pre no što pokušate da je sklopite i da rukujete njom.

	Sigurnosno upozorenje	Mere opreza koje se tiču vaše sigurnosti.
	Nosite zaštitu za oči	Uvek nosite sigurnosne naočare sa bočnim štيتnicima ili po potrebi masku za celo lice kad rukujete ovim proizvodom.
	Nosite zaštitu za uši	Uvek nosite zaštitu za uši kad rukujete ovim proizvodom.
	Pročitajte Priručnik za rukovaoca	Da bi smanjio rizik od povreda, korisnik pre korišćenja ovog proizvoda mora pročitati priručnik za rukovaoca.
	Držite prolaznike podalje	Držite sve prolaznike na udaljenosti od najmanje 15 m.
V	Volt	Voltaža
A	Amperi	Struja
Hz	Herc	Frekvencija (ciklusi u sekundi)
W	Vat	Snaga
min	Minuti	Vreme
m ³ /h	Kubni metri na sat	Zapremina vazduha

SR

km/h	Kilometri na sati	Brzina vazduha
	Naizmjenična struja	Tip struje
	Jednosmerna struja	Tip ili karakteristika struje
n_0	Brzina bez opterećenja	Rotaciona brzina, bez opterećenja
... /min	U minutu	Obrtaji u minutu

Kad koristite neki električni aparat, uvek treba da poštujete osnovne mere opreza, obuhvatajući sledeće:

OPŠTA SIGURNOSNA UPOZORENJA ZA ELEKTRIČNI ALAT

⚠ UPOZORENJE: PROČITAJTE SVA SIGURNOSNA UPOZORENJA, UPUTSTVA, ILUSTRACIJE I SPECIFIKACIJE PRILožENE UZ OVAJ ELEKTRIČNI ALAT. Nepridržavanje svih dole navedenih uputstava može da dovede do strujnog udara, požara i/ili ozbiljne povrede

SAČUVAJTE SVA UPOZORENJA I UPUTSTVA ZA BUDUĆU UPOTREBU.

Pojam „električni alat“ u upozorenjima označava električni alat (sa žicom) koji se uključuje u utičnicu ili električni alat (bežični) na baterije.

BEZBEDNOST NA RADNOM PODRUČJU

- Održavajte radno područje čistim i dobro osvetljenim. Na pretrpanim ili mračnim područjima su veće šanse da dođe do nezgoda.
- Ne koristite električne alate u eksplozivnim atmosferama, kao na primer u prisustvu zapaljivih tečnosti, benzina ili prašine. Električni alat stvara varnice koje mogu zapaliti prašinu ili isparenja.
- Držite decu i prolaznike podalje dok koristite električni alat. Ako vam neko odvraća pažnju, možete izgubiti kontrolu.

ELEKTRIČNA BEZBEDNOST

- Utikač električnog alata mora odgovarati utičnici. Nikada ne modifikujete utikač ni na koji način. Ne koristite adapterske utikače sa uzemljenim električnim alatom. Nemodifikovani utikači i odgovarajuće utičnice će smanjiti rizik od strujnog udara

- Izbegavajte kontakt delova tela sa uzemljenim površinama, poput cevi, radijatora, šporeta i frižidera. Postoji povećan rizik od strujnog udara ako je vaše telo uzemljeno.
- Ne izlažite električne alate kiši ili mokrim uslovima. Voda koja uđe u električni alat povećaće rizik od strujnog udara.
- Nemojte zloupotrebljavati kabl. Nikada ne koristite kabl za nošenje, vučenje ili isključivanje iz utičnice električnog alata. Čuvajte kabl podalje od toplote, ulja, oštih ivica ili pokretnih delova. Oštećen ili upetljan kabl povećava rizik od strujnog udara.
- Kada koristite električni alat na otvorenom prostoru, koristite produžni kabl pogodan za korišćenje na otvorenom prostoru. Upotreba kabla pogodnog za korišćenje na otvorenom prostoru smanjuje rizik od strujnog udara.
- Ako je korišćenje električnog alata na vlažnom mestu neizbežno, koristite izvor napajanja sa zaštitnim uređajem diferencijalne struje. Korišćenje GFCI smanjuje rizik od strujnog udara.

LIČNA BEZBEDNOST

- Ostanite u pripravnosti, pazite šta radite i koristite zdrav razum kada koristite električni alat. Ne koristite električni alat kada ste umorni ili pod uticajem droga, alkohola ili lekova. Trenutak nepažnje kada koristite električni alat je dovoljan da izazove ozbiljne telesne povrede.
- Koristite ličnu zaštitnu opremu. Uvek nosite zaštitu za oči. Zaštitna oprema poput maske za prašinu, radnih cipela koje se ne klizaju, šlema ili zaštite sluha će, kada se koristi za odgovarajuće uslove, smanjiti telesne povrede.
- Sprečite slučajno pokretanje. Osigurajte da prekidač bude u isključenom položaju pre povezivanja na izvor napajanja i/ili bateriju, podizanja ili nošenja alata. Nošenje električnih alata sa prstom na prekidaču ili uključivanje u utičnicu električnih alata čiji prekidač je u uključenom položaju priziva nezgode.
- Uklonite sve ključeve za podešavanje pre uključivanja električnog alata. Ključ koji ostane pričvršćen za rotacioni deo električnog alata može da izazove telesnu povredu.
- Ne presežite. U svakom trenutku održavajte pravilan položaj nogu i ravnotežu. To omogućava bolju kontrolu električnog alata u neočekivanim situacijama.
- Prikladno se obucite. Ne nosite labavu odeću ili nakit. Držite kosu, odeću i rukavice dalje od pokretnih delova. Labava odeća, nakit ili duga kosa mogu da se zakače pokretnim delovima.

- Ako su priloženi uređaji za povezivanje delova za izbacivanje i prikupljanje prašine, osigurajte da oni budu povezani i da se pravilno koriste. Upotreba uređaja za prašinu može da smanji opasnosti koje izaziva prašina.
- Ne dozvolite da zbog poznavanja koje ste stekli kroz čestu upotrebu alata postanete samozadovoljni i ignorišete principe bezbednosti alata. Nemaran postupak može da izazove ozbiljnu povredu u deliču sekunde.

UPOTREBA I ODRŽAVANJE ELEKTRIČNOG ALATA

- Ne silite električni alat. Koristite odgovarajući električni alat za ono što radite. Odgovarajući električni alat uradiće posao bolje i bezbednije onom brzinom za koju je dizajniran.
- Ne koristite električni alat ako ga prekidač ne uključuje i isključuje. Svaki električni alat koji se ne može kontrolisati prekidačem je opasan i mora se popraviti.
- Odvojite utikač iz izvora napajanja i/ili bateriju iz električnog alata pre bilo kakvog podešavanja, menjanja dodataka ili skladištenja električnog alata. Takve preventivne sigurnosne mere smanjuju rizik od nehotičnog pokretanja električnog alata.
- Skladištite isključene električne alate van domašaja dece i ne dozvolite osobama koje nisu upoznate sa ovim električnim alatom ili ovim uputstvom da rukuju električnim alatom. Električni alat je opasan u rukama nekvalifikovanih korisnika.
- Održavajte električni alat. Proverite pravilno poravnanje ili spojeve pokretnih delova, lomljenje delova i sva druga stanja koja mogu da utiču na rad električnog alata. Ako je oštećen, odnesite električni alat na popravku pre upotrebe. Mnoge nezgode su izazvane loše održanim električnim alatom.
- Održavajte alate koji seku oštrim i čistim. Pravilno održavani alati za sečenje sa oštrim ivicama za sečenje se ređe zapetljavaju i lakše se kontrolišu.
- Koristite električni alat, dodatke, delove itd. u skladu sa ovim uputstvom, uzimajući u obzir radne uslove i rad koji treba obaviti. Korišćenje električnog alata za rad drugačiji od predviđenog moglo bi da dovede do opasne situacije.
- Održavajte drške i površine koje hvatate suvim, čistim i bez ulja i masnoće. Klizave drške i površine koje hvatate ne omogućavaju bezbedno rukovanje i kontrolu alata u neočekivanim situacijama.

UPOTREBA I ODRŽAVANJE ALATA NA BATERIJE

- Punite samo punjačem koji navodi proizvođač. Punjač koji je prikladan za jedan tip baterije može da stvori opasnost od požara kad se koristi sa drugom baterijom.

- Koristite električni alat samo sa konkretno imenovanim baterijama. Upotreba bilo kakvih drugih baterija može da stvori rizik od povrede i požara.
- Kad se baterija ne koristi, držite je dalje od drugih metalnih predmeta, poput spajalica, novčića, ključeva, eksera, vijaka ili drugih malih metalnih predmeta koji mogu da naprave spoj jednog terminala sa drugim. Kratak spoj terminala baterije može da izazove opekotine ili požar.
- U ekstremnim uslovima može doći do curenja tečnosti iz baterije; izbegavajte kontakt sa njom. Ako dođe do nehotičnog kontakta, isperite vodom. Ako tečnost dođe u kontakt sa očima, takode potražite i medicinsku pomoć. Tečnost iz baterije može da izazove iritaciju ili opekotine.
- Ne koristite bateriju ili alat koji su oštećeni ili modifikovani. Oštećene ili modifikovane baterije mogu da ispolje nepredvidivo ponašanje, dovodeći do požara, eksplozije ili rizika od povrede.
- Ne izlažite bateriju ili alat vatri ili previsokoj temperaturi. Izlaganje vatri ili temperaturi iznad 130 °C može izazvati eksploziju.
- Pratite sva uputstva za punjenje i ne puniti bateriju ili alat izvan temperaturnog opsega navedenog u uputstvima. Punjenje na nepravilan način ili na temperaturama izvan navedenog opsega može da ošteti bateriju i poveća rizik od požara.

SERVIS

- Odnosite električni alat na servisiranje kod kvalifikovanog servisera koji će koristiti samo identične rezervne delove. To će osigurati da bezbednost električnog alata bude održana.
- Nikad ne servisirajte oštećene baterije. Servisiranje baterija treba da radi samo proizvođač ili ovlašćeni servis.

PROČITAJTE SVA UPUTSTVA PRE KORIŠĆENJA OVOG PROIZVODA!

OBUKA

- Nikad ne dozvolite deci, osobama sa smanjenim fizičkim, senzornim ili mentalnim sposobnostima ili nedostatkom iskustva i znanja ili osobama koje nisu upoznate sa ovim uputstvom da koriste mašinu.
- Rukovalac ili korisnik je odgovoran za nezgode ili opasnosti po druge ljude ili njihovu imovinu.

PRIPREMA

- Ovaj električni alat se može koristiti na kiši ili u mokrim uslovima. Osušite električni alat po završetku posla.
- Pre upotrebe, proverite da li su baterije oštećene. Ne koristite aparat ako su baterije oštećene.

UKOVLANJE

- Ovaj električni alat se može koristiti na kiši ili u mokrim uslovima. Osušite električni alat po završetku posla.
- Odvojite baterije:
 1. Svaki put kad napuštate mašinu;
 2. Pre čišćenja začepljenja;
 3. Pre proveravanja, čišćenja ili rada na aparatu;
 4. Ako aparat počne abnormalno da vibrira.
- Uvek vodite računa o položaju nogu na nagibima.
- Hodajte; nikad nemojte trčati.
- Držite sve ulaze vazduha za hlađenje čistim od prljavštine.
- Preporučuje se da rukujete mašinom samo u razumno vreme – ne rano ujutro ili kasno uveče kad možete smetati ljudima.
- Preporučuje se da blago ovlažite površinu u prašnjavim uslovima ili da koristite dodatak za prskanje.

⚠ UPOZORENJE: Opasnost od rotirajućih delova!

- Koristite ceo produžetak mlaznice duvača tako da struja vazduha može da radi blizu tla.
- Ne rukujte mašinom blizu otvorenih prozora i sl.

ODRŽAVANJE I SKLADIŠTENJE

- Držite sve navrtnje, zavrtnje i vijke zategnutim da biste bili sigurni da je aparat u bezbednom radnom stanju.
- Zamenite pohabane ili oštećene delove.
- Koristite samo originalne rezervne delove i dodatke.
- Skladištite aparat isključivo na suvom mestu.

⚠ UPOZORENJE: Da biste smanjili rizik od požara, strujnog udara ili povrede:

- Ne dozvolite da se duvač koristi kao igračka. Pomna pažnja je neophodna kad ga koriste deca ili kad se koristi u blizini dece.
- Ako duvač ne radi kako bi trebalo, ako je ispušten, ako je oštećen ili ako je upao u vodu, odnesite ga u servisni centar.
- Ne gurajte nikakve predmete ni u kakve otvore. Ne koristite ako je bilo koji otvor blokiran; održavajte otvore čistim od prašine, dlačica, kose i svega što može da smanji protok vazduha.
- Budite veoma pažljivi kad čistite na stepenicama.
- Ne ostavljajte duvač bez nadzora kad je utikač baterije umetnut. Izvadite bateriju kad ne koristite duvač i pre servisiranja.
- Ne rukujte punjačem, obuhvatajući i utikač ili terminale punjača, mokrim rukama.
- Ne puniti bateriju na otvorenom prostoru.

⚠ UPOZORENJE:

- Baterija se mora izvaditi iz aparata pre recikliranja.
- Baterija se mora bezbedno odložiti na otpad.
- NE pokušavajte da očistite začepljenja iz jedinice a da niste prvo izvadili bateriju.
- Održavajte duvač i njegovu dršku suvim, čistim i bez ulja i masnoće. Uvek koristite čistu krpu kad čistite. Nikad ne koristite kočionu tečnost, benzin, proizvode na bazi petroleja ili bilo koje druge jake rastvarače za čišćenje duvača. Poštovanje ovog pravila će smanjiti rizik od gubitka kontrole i propadanja plastičnog kućišta.
- Baterije mogu da eksplodiraju u prisustvu izvora paljenja, poput pilot plamenika. Da biste smanjili rizik od ozbiljne telesne povrede, nikad ne koristite nikakve bežične proizvode u prisustvu otvorenog plamena. Eksplozija baterije može da izbaci krhotine i hemikalije. Ako im budete izloženi, odmah isperite vodom.
- Nikad ne pokrećite jedinicu bez pričvršćene odgovarajuće opreme. Uvek vodite računa da cev duvača bude instalirana.
- Nikad ne koristite duvač u blizini vatre ili vrućeg pepela. Upotreba u blizini vatre ili pepela može da proširi vatru i dovede do ozbiljne povrede i/ili oštećenja imovine.
- Nikad ne koristite duvač da širite hemikalije, đubrivo ili bilo kakve druge toksične supstance. Širenje tih supstanci bi moglo da dovede do ozbiljne povrede rukovaoaca ili prolaznika.
- Sačuvajte ovo uputstvo. Često ga pregledajte i koristite ga da uputite druge koji će možda koristiti ovaj alat. Ako pozajmite ovaj alat nekom drugom, pozajmite i ovo uputstvo da bi se sprečila pogrešna upotreba proizvoda i eventualna povreda.

SAČUVAJTE OVO UPUTSTVO!

SPECIFIKACIJE

Voltaža	56V
Maksimalna zapremina vazduha na mlaznici	986 m ³ /h
Preporučena radna temperatura	-15 °C - 40 °C
Preporučena temperatura skladištenja	-20 °C - 70 °C
Maksimalna brzina vazduha	65 m/s (bez okrugle mlaznice)
	75 m/s (sa okruglom mlaznicom)
Približno vreme rada (sa baterijom EGO 5,0 Ah)	18 min (režim pojačanja)
	30 min (veća brzina)
	200 min (manja brzina)
Maksimalna sila duvanja	18 N
Težina duvača (bez baterije)	2,18 kg
Izmereni nivo jačine zvuka L _{WA}	94,73 dB(A) K=2,83 dB(A)
Nivo zvučnog pritiska kod uha rukovaoca L _{PA}	78,4 dB(A) K=2,5 dB(A)
Garantovan nivo jačine zvuka L _{WA} (prema 2000/14/EC)	98 dB(A)
Vibracije a _n	0,505 m/s ² K=1,5 m/s ²

- Deklarisana ukupna vrednost vibracije je izmerena u skladu sa standardnim metodom testiranja i može se koristiti za upoređivanje jednog alata sa drugim;
- Deklarisana ukupna vrednost vibracije može se koristiti i u preliminarnoj proceni izlaganja.

NAPOMENA: Emisija vibracija tokom stvarne upotrebe električnog alata može da se razlikuje od deklarisanе vrednosti u kojoj se alat koristi. Da bi se rukovalac zaštitio, korisnik bi trebalo da nosi rukavice i štitnike za uši u stvarnim uslovima korišćenja.

POPIS PAKOVANJA

NAZIV DELA	KOLIČINA
Duvač	1
Cev duvača	1
Dodatak mlaznice	2
Priručnik za rukovaoca	1

OPIS

UPOZNAJTE SVOJ DUVAČ (slika A)

1. Ravna mlaznica
2. Okrugla mlaznica
3. Cev duvača
4. Dugme za otključavanje cevi
5. Osnova
6. Usisavanje vazduha
7. Izbacivanje baterije
8. Električni kontakti
9. Reza
10. Dugme za otključavanje baterije
11. Okidač za brzinu vazduha
12. Dugme za pojačanje
13. Dugme za brzinu/zaključavanje

⚠ UPOZORENJE: Bezbedna upotreba ovog proizvoda zahteva razumevanje informacija na alatu i u ovom priručniku sa uputstvima, kao i znanje o projektu koji planirate. Pre upotrebe ovog proizvoda, upoznajete se sa svim radnim funkcijama i sigurnosnim pravilima.

SKLAPANJE

⚠ UPOZORENJE: Ako su neki delovi oštećeni ili nedostaju, nemojte koristiti ovaj proizvod dok delovi ne budu zamenjeni. Korišćenje ovog proizvoda sa oštećenim ili nedostajućim delovima može dovesti do ozbiljnih telesnih povreda.

⚠ UPOZORENJE: Ne pokušavajte da modifikujete ovaj proizvod ili da pravite dodatke koji nisu preporučeni za korišćenje sa ovim duvačem. Svaka takva promena ili modifikacija je zloupotreba i može dovesti do opasnih uslova koji mogu da dovedu do ozbiljnih telesnih povreda.

⚠ UPOZORENJE: Da biste sprečili nehotično pokretanje koje bi moglo izazvati ozbiljne telesne povrede, uvek uklonite bateriju iz alata kada sklapate delove.

SR

PRIMENA

Možete koristiti ovaj proizvod za svrhe navedene ispod:

- Čišćenje tvrdih površina poput prilaza i trotoara.
- Održavanje terasa i prilaza čistim od lišća i borovih iglica.

NAPOMENA: Alat treba koristiti samo za propisanu svrhu. Svaka druga upotreba smatra se slučajem zloupotrebe.

SKLAPANJE/SKIDANJE CEVI DUVAČA

■ Za sklapanje (slika B i C)

Poravnajte žleb i gurnite cev na kućište duvača dok ne čujete „klik“.

■ Za uklanjanje (slika D)

Pritisnite dugme za otključavanje cevi i izvucite cev napolje.

SKLAPANJE/SKIDANJE OKRUGLE/RAVNE MLAZNICE DUVAČA

■ Za sklapanje (slika E i F)

Poravnajte žleb na okrugloj mlaznici sa dugmetom na cevi i gurnite mlaznicu na cev dok ne škljocne na svoje mesto.

■ Za uklanjanje (slika G)

Pritisnite i držite dugme za otključavanje mlaznice da biste otpustili rezu, a zatim izvucite mlaznicu ravno iz duvača.

NAPOMENA: Pratite isti redosled da biste montirali ili skinuli ravnu mlaznicu.

INSTALIRANJE/VAĐENJE BATERIJE

Napunite pre prve upotrebe.

Koristite samo sa baterijama i punjačima navedenim na slici A.

■ Za instalaciju (slika H)

Poravnajte rebra baterije sa prorezima za montiranje i pritisnite bateriju nadole dok ne čujete „klik“.

■ Za uklanjanje (slika I)

Pritisnite dugme za otključavanje baterije i izvucite bateriju.

⚠ UPOZORENJE: Uvek imajte u vidu položaj svojih stopala, dece ili kućnih ljubimaca kad pritisnete dugme za otključavanje baterije. Može doći do ozbiljnih povreda ako baterija ispadne. NIKAD ne vadite bateriju dok ste na visokom mestu.

Opis delova sa slike H pogledajte ispod:

H-1	Dugme za otključavanje baterije	H-3	Prorez za montiranje
H-2	Rebro baterije		

POKRETANJE/ZAUSTAVLJANJE DUVAČA (slika J)

■ Samo okidač za brzinu vazduha

1. Pritisnite okidač za brzinu vazduha da biste uključili duvač.
2. Brzina vazduha iz duvača se kontroliše okidačem varijabilne brzine. Veći pritisak na okidač daje veću brzinu duvanja; manji pritisak na okidač daje manju brzinu duvanja. Podesite brzinu tako da odgovara poslu koji obavljate.
3. Pustite okidač za brzinu vazduha da biste isključili duvač.

■ Samo dugme za brzinu/zaključavanje

Duvač se može uključiti i zaključati na bilo kojoj brzini pomoću dugmeta za brzinu/zaključavanje.

1. Okrenite dugme za brzinu/zaključavanje u smeru kazaljke na satu da biste pokrenuli duvač. Brzina vazduha će se povećavati kako okrećete dugme u smeru kazaljke na satu.
2. Da biste smanjili brzinu vazduha, okrenite dugme za brzinu/zaključavanje suprotno kazaljki na satu.
3. Nastavite da okrećete dugme za brzinu/zaključavanje suprotno kazaljki na satu do isključenog položaja da biste zaustavili duvač.

NAPOMENA: Ako dugme za brzinu/zaključavanje nije okrenuto nazad u isključeni položaj pre uključivanja duvača, duvač se neće pokrenuti putem dugmeta za brzinu/zaključavanje kad napunjena baterija bude instalirana. Ovo je zaštitna funkcija koja pomaže da se spreči nehotično pokretanje. Pritiskanje okidača za brzinu vazduha može da deaktivira zaštitu.

Pritisnite dugme za pojačanje dok radite da biste privremeno povećali brzinu vazduha na maksimalni nivo. Duvač će nastaviti da radi prethodnom brzinom kad budete pustili dugme za pojačanje.

Opis delova sa slike J pogledajte ispod:

J-1	Dugme za brzinu/zaključavanje	J-3	Okidač za brzinu vazduha
J-2	Dugme za pojačanje		

Saveti za korišćenje duvača

- Da biste sprečili razbacivanje materijala, duvajte oko spoljašnjih ivica gomile materijala. Nikad ne duvajte direktno u centar gomile.
- Da biste smanjili nivo zvuka, ograničite broj komada opreme koji se koriste istovremeno.
- Koristite grablje i metlu da rastresete materijal pre duvanja. U prašnjavim uslovima, blago ovlažite površinu kad je voda dostupna.
- Pazite na decu, kućne ljubimce, otvorene prozore ili nedavno oprane automobile i duvajte materijal bezbedno dalje od njih.
- Nakon korišćenja duvača ili druge opreme, počistite za sobom! Odložite materijal pravilno na otpad.
- Nije preporučljivo koristiti duvač na velikoj brzini tokom dužeg vremena jer jake vibracije i buka mogu da naškode vašem zdravlju.

- Skladištite u zatvorenom prostoru, na mestu koje nije dostupno deci. Držite dalje od korozivnih sredstava, poput baštenskih hemikalija i soli za odmrzavanje.

Zaštita životne sredine



Ne odlažite električnu opremu, punjače baterija i baterije/punjive baterije u kućni otpad!

Prema evropskom zakonu 2012/19/EU, električna i elektronska oprema koja više nije upotrebljiva, te prema evropskom zakonu 2006/66/EC, defektne ili ispražnjene baterije, moraju se prikupljati zasebno i odlagati na otpad na ekološki prihvatljiv način.

Ako se električni aparati odlažu na deponije ili đubrišta, opasne supstance mogu da iscuru u podzemne vode i dospeju u lanac ishrane, nanoseći štetu vašem zdravlju i dobrobiti.

ODRŽAVANJE

⚠ UPOZORENJE: Tokom servisiranja, koristite samo identične rezervne delove. Upotreba bilo kakvih drugih delova može da dovede do opasnosti ili da izazove oštećenje proizvoda. Da bi se osigurala sigurnost i pouzdanost, sve popravke treba da radi kvalifikovani servisni tehničar.

⚠ UPOZORENJE: Da biste izbegli ozbiljne telesne povrede, uvek izvadite bateriju iz proizvoda kad ga čistite ili održavate.

OPŠTE ODRŽAVANJE

Izbegavajte korišćenje rastvarača kada čistite plastične delove. Većina plastike je podložna oštećenjima od raznih tipova komercijalnih rastvarača i može se oštetiti njihovom upotrebom. Koristite čiste krpe da uklonite zemlju, prašinu, ulje, masnoću itd.

⚠ UPOZORENJE: Nemojte ni u kom trenutku dozvoliti da kočiona tečnost, benzin, proizvodi na bazi benzina, penetraciono ulje itd. dođu u kontakt sa plastičnim delovima. Hemikalije mogu da oštete, oslabe ili unište plastiku, što može da dovede do ozbiljne telesne povrede.

SKLADIŠTENJE

- Izvadite bateriju iz duvača.
- Očistite sav strani materijal iz ulaza vazduha na duvaču.

REŠAVANJE PROBLEMA

PROBLEM	UZROK	REŠENJE
Duvač ne radi.	<ul style="list-style-type: none">■ Baterija nije spojena na duvač.■ Nema električnog kontakta između duvača i baterije.■ Baterija je prazna.■ Baterija ili duvač su prevrući.■ Dugme za brzinu/zaključavanje nije okrenuto nazad u isključeni položaj pre uključivanja duvača.	<ul style="list-style-type: none">■ Spojite bateriju na duvač.■ Izvadite bateriju, proverite kontakte i ponovo instalirajte bateriju.■ Napunite bateriju.■ Ohladite bateriju i duvač dok temperatura ne padne ispod 67 °C.■ Pritisnite okidač za brzinu vazduha da biste deaktivirali zaštitu i pokrenuli duvač ili prvo okrenite dugme za brzinu/zaključavanje na isključeni položaj.
The air velocity decreases significantly.	<ul style="list-style-type: none">■ Prekomerno habanje ventilatora motora.■ Ulaz vazduha je blokiran prljavštinom.	<ul style="list-style-type: none">■ Obratite se EGO servisnom centru radi popravke.■ Izvadite bateriju, očistite prljavštinu.

GARANCIJA**EGO POLITIKA GARANCIJE**

Posećite veb-lokaciju egopowerplus.com za potpune uslove i odredbe EGO politike garancije.

PROČITAJTE UPUTSTVO U CIJELOSTI!



PROČITAJTE KORISNIČKI PRIRUČNIK.

NAPOMENA! Ovo uputstvo dostupno je i u alternativnom obliku, npr. na internetskoj stranici.

⚠️ Preostale opasnosti! Osobe s elektroničkim uređajima poput srčanih elektrostimulatora prije upotrebe ovog proizvoda trebaju se posavjetovati sa svojim ljekarom. Rad električne opreme u neposrednoj blizini srčanih elektrostimulatora može uzrokovati smetnju ili kvar srčanog elektrostimulatora.

⚠️ UPOZORENJE! Radi osiguranja sigurnosti i pouzdanosti, sve popravke i zamjene treba obavljati kvalifikovani servisni tehničar.

SIGURNOSNI SIMBOLI

Svrha sigurnosnih simbola je skretanje pažnje na moguće opasnosti. Sigurnosni simboli i njihova objašnjenja zahtijevaju vašu potpunu pažnju i razumijevanje. Sami simboli upozorenja sami po sebi ne isključuju opasnost. Uputstva i upozorenja koja pružaju nisu zamjena za propisne mjere za prevenciju nesreća.

⚠️ UPOZORENJE! Prije upotrebe ovog alata pobrinite se da sva sigurnosna uputstva u ovom korisničkom priručniku, uključujući sve sigurnosne simbole kao što su “OPASNOST”, “UPOZORENJE” i “OPREZ” pročitate s razumijevanjem. Zanemarivanje svih uputstava navedenih u nastavku može rezultirati strujnim udarom, požarom i/ili teškim tjelesnim povredama.

PREVENTIVNE MJERE ZA ZAŠTITU OD OŠTEĆENJA I INFORMATIVNE PORUKE

Korisniku pružaju važne informacije i/ili uputstva čije zanemarivanje može dovesti do oštećenja opreme ili drugih materijalnih šteta. Svakoj poruci prethodi riječ “NAPOMENA”, kako je prikazano u primjeru u nastavku:

NAPOMENA! U slučaju zanemarivanja ovih uputstava može doći do oštećenja opreme i/ili materijalnih šteta.



⚠️ UPOZORENJE! Rukovanje električnim alatima može rezultirati odbacivanjem stranih predmeta u oči, što opet može izazvati teška oštećenja očiju. Prije početka rukovanja električnim alatom, uvijek nosite zatvorene zaštitne naočale ili zaštitne naočale s bočnim štitnicima, a prema potrebi i štitnik za cijelo lice. Preporučujemo nošenje sigurnosne maske proizvođača Wide Vision preko naočala, ili nošenje standardnih zaštitnih naočala s bočnim štitnicima.

SIGURNOSNA UPUTSTVA

Na ovoj stranici slikovno su prikazani i objašnjeni sigurnosni simboli koji se mogu pojaviti na ovom proizvodu. Prije pokušaja sastavljanja i rukovanja, s razumijevanjem pročitajte sva uputstva na proizvodu i pridržavajte ih se.

	Simbol upozorenja	Mjere opreza koje se odnose na vašu sigurnost.
	Nosite zaštitu za oči.	Kada upotrebljavate ovaj proizvod, uvijek nosite zatvorene zaštitne naočale ili zaštitne naočale s bočnim štitnicima i štitnik za cijelo lice.
	Nosite zaštitu za sluh.	Kada rukujete ovim proizvodom, uvijek nosite zaštitu za sluh.
	Pročitajte korisnički priručnik.	Radi smanjenja opasnosti od povreda, prije upotrebe ovog proizvoda korisnik treba pročitati korisnički priručnik.
	Druge prisutne osobe držite na udaljenosti.	Druge prisutne osobe držite na udaljenosti od najmanje 15 m.
V	Volt	Napon
A	Amper	Struja
Hz	Herc	Frekvencija (ciklusi u sekundi)
W	Vat	Snaga
min	Minute	Vrijeme

BS

m ³ /h	Kubni metri po satu	Količina zraka
km/h	Kilometri po satu	Brzina zraka
~	Izmjenična struja	Vrsta struje
≡	Istosmjerna struja	Vrsta ili karakteristike struje
n ₀	Brzina vrtnje bez opterećenja	Brzina okretanja, bez opterećenja
.../min	U minuti	Okretaji u minuti

Pri upotrebi električnih uređaja potrebno je uvijek pridržavati se osnovnih mjera opreza uključujući sljedeće:

OPĆA SIGURNOSNA UPOZORENJA ZA ELEKTRIČNE ALATE

⚠ UPOZORENJE! PROČITAJTE SVA SIGURNOSNA UPOZORENJA, UPUTSTVA, SVE ILUSTRACIJE I SPECIFIKACIJE ISPORUČENE S OVIM ELEKTRIČNIM ALATOM. Zanimarivanje svih uputstava navedenih u nastavku može rezultirati strujnim udarom, požarom i/ili teškim povredama.

SAČUVAJTE SVA UPOZORENJA I UPUTSTVA ZA BUDUĆE POTREBE.

Pojam "električni alat" u upozorenjima odnosi se na vaš električni alat na strujni pogon (s kabealom) ili električni alat na baterijski pogon (bez kabela).

SIGURNOST RADNOG PODRUČJA

- **Radno područje održavajte čistim i dobro osvijetljenim.** Pretrpana ili mračna područja izazivaju nesreće.
- **Električni alat nemojte upotrebljavati u eksplozivnim atmosferama, kao na primjer u prisutnosti zapaljivih tekućina, benzina ili prašine.** Električni alat stvara iskre koje mogu zapaliti prašinu ili isparenja.
- **Djecu i druge prisutne osobe držite podalje tokom rada s električnim alatom.** Ometanja mogu rezultirati gubitkom kontrole nad alatom.

ELEKTRIČNA SIGURNOST

- **Utikači električnog alata moraju odgovarati utičnici.** Nemojte modifikovati utikač ni na koji način. Nemojte upotrebljavati utikače adaptera s uzemljenim električnim alatima. Nemodifikovani utikači i odgovarajuće utičnice smanjit će rizik od strujnog udara.

- **Izbjegavajte kontakt tijela s uzemljenim površinama, kao što su slavine, radijatori, peći i frižideri.** Postoji povećan rizik od strujnog udara ako je vaše tijelo uzemljeno.
- **Električni alat nemojte izlagati kiši ili mokrim uslovima.** Prodiranje vode u električni alat povećat će rizik od strujnog udara.
- **Nemojte nepropisno upotrebljavati kabel.** Kabel nemojte nikada upotrebljavati za nošenje, povlačenje ili isključivanje električnog alata iz strujnog napajanja. Kabel držite podalje od topline, ulja, oštih rubova ili pokretnih dijelova. Oštećeni ili isprepleteni kabeli povećavaju rizik od strujnog udara.
- **Kada električnim alatom radite na otvorenom, upotrebljavajte produžni kabel prikladan za upotrebu na otvorenom.** Upotreba kabela prikladnog za upotrebu na otvorenom smanjuje rizik od strujnog udara.
- **Ako je rad s električnim alatom u vlažnom području neizbježan, upotrebljavajte napajanje sa zaštitnim uređajem diferencijalne struje.** Upotrebom zaštitnog uređaja diferencijalne struje smanjuje se rizik od strujnog udara.

LIČNA SIGURNOST

- **Budite oprezni, gledajte šta radite i koristite se uobičajenim osjećajem kada radite s električnim alatom.** Nemojte upotrebljavati električni alat kada ste umorni ili pod uticajem opojnih sredstava, alkohola ili lijekova. Trenutak nepažnje tokom rada s električnim alatima može rezultirati teškim tjelesnim povredama.
- **Upotrebljavajte ličnu zaštitnu opremu. Uvijek nosite zaštitu za oči.** Zaštitna oprema poput maske za zaštitu od prašine, neklizajuće sigurnosne obuće, kacige ili zaštitne za sluh upotrijebljena za odgovarajuće uslove smanjit će tjelesne povrede.
- **Spriječite nenamjerno pokretanje.** Prije spajanja na izvor napajanja i/ili komplet baterija, uzimanja ili nošenja alata uvjerite se da se prekidač nalazi u isključenom položaju. Nošenje električnih alata s prstom na prekidaču ili napajanje električnih alata koji imaju uključen prekidač izaziva nesreće.
- **Prije uključivanja električnog alata uklonite sve ključeve za podešavanje ili ključeve.** Ključ ili ključ za podešavanje ostavljen pričvršćen na rotacijski dio električnog alata može rezultirati tjelesnim povredama.
- **Nemojte se previše naginjati prema naprijed.** Cijelo vrijeme održavajte propisno držanje i ravnotežu. To će omogućiti bolju kontrolu nad električnim alatom u neočekivanim situacijama.

- **Obucite se prikladno.** Nemojte nositi široku odjeću ili nakit. Kosu, odjeću i rukavice uvijek držite podalje od dijelova koji se kreću. Dijelovi koji se kreću mogu zahvatiti široku odjeću, nakit ili dugu kosu.
- **Ako su uređaji namijenjeni za spajanje sistema za izvlačenje i sakupljanje prašine, pobrinite se da se propisno spoje i upotrebljavaju.** Upotrebom uređaja za sakupljanje prašine mogu se smanjiti opasnosti koje se odnose na prašinu.
- **Nemojte dozvoliti da vas poznavanje alata stečeno čestim upotrebom učini samodopadnim pa da ignorirate sigurnosne principe za alat.** Nemarne radnje u djeliću sekunde mogu rezultirati teškim povredama.

UPOTREBA I NJEGA ELEKTRIČNOG ALATA

- **Nemojte preopterećavati električni alat.** Upotrebjavajte ispravan električni alat za svoju primjenu. Ispravan električni alat bolje će i sigurnije odraditi posao pri brzini za koju je predviđen.
- **Nemojte upotrebljavati električni alat ako ga prekidač ne uključuje i isključuje.** Svaki električni alat koji se ne može kontrolisati prekidačem opasan je i potrebno ga je popraviti.
- **Prije obavljanja podešavanja, zamjene dodatne opreme ili skladištenja električnih alata isključite utikač iz izvora napajanja i/ili komplet baterija iz električnog alata.** Takve preventivne sigurnosne mjere smanjuju rizik od iznenadnog pokretanja električnog alata.
- **Nekorišteni električni alat skladištite izvan dohvata djece i nemojte dozvoliti da osobe koje ne poznaju električni alat ili ova uputstva rade s električnim alatom.** Električni alati opasni su u rukama neobučениh korisnika.
- **Održavajte električne alate.** Provjerite jesu li pokretni dijelovi centrirani ili spojeni, ima li polomljenih dijelova i postoji li stanje koje može uticati na rad električnog alata. Ako je oštećen, električni alat dajte na popravak prije upotrebe. Loše održavani električni alati uzrok su mnogih nesreća.
- **Rezne alate održavajte oštroma i čistima.** Propisno održavani rezni alati s oštirim reznim rubovima vjerovatno se neće spajati i lakši su za upravljanje.
- **Električni alat, dodatnu opremu i alatne nastavke, itd., upotrebljavajte u skladu s ovim uputstvima, uzimajući u obzir radne uslove i posao koji je potrebno obaviti.** Upotreba električnog alata za radove drukčija od namjenske može rezultirati opasnim situacijama.
- **Rukohvate i površine rukohvata održavajte suhim, čistim i očišćenim od ulja i masti.** Sklisli rukohvati i skliske površine rukohvata onemogućuju sigurno rukovanje i upravljanje alatom u neočekivanim situacijama.

UPOTREBA I NJEGA BATERIJSKOG ALATA

- **Punjenje obavljajte samo s punjačem kojeg je naveo proizvođač.** Punjač koji je prikladan za jedan tip kompleta baterija može stvoriti rizik od požara ako ga se upotrebljava s drugim kompletom baterija.
- **Električni alat upotrebljavajte samo s izričito navedenim kompletima baterija.** Upotreba drugih kompleta baterija može stvoriti rizik od povreda i požara.
- **Kada se komplet baterija ne upotrebljava, držite ga podalje od drugih metalnih predmeta poput spajalica za papir, kovanica, ključeva, eksera, vijaka ili drugih malih metalnih predmeta koji mogu međusobno spojiti kontakte.** Kratko spajanje baterijskih kontakata može uzrokovati opekotine ili požar.
- **U slučaju pogrešne upotrebe, baterija može izbaciti tekućinu; izbjegavajte kontakt.** Ako slučajno dođe do kontakta, odnosno mjesta isperite vodom. Ako tekućina dođe u kontakt s očima, dodatno potražite pomoć ljekara. Tekućina koju izbaci baterija može uzrokovati nadražaj kože ili opekotine.
- **Nemojte upotrebljavati oštećen ili modifikovan komplet baterija ili alat.** Oštećene ili modifikovane baterije mogu pokazati nepredvidivo ponašanje koje može rezultirati požarom, eksplozijom ili opasnošću od povreda.
- **Komplet baterija ili alat nemojte izlagati vatri ili previsokoj temperaturi.** Izlaganje vatri ili temperaturi višoj od 130 °C može uzrokovati eksploziju.
- **Pridržavajte se svih uputstava za punjenje i komplet baterija ili alat nemojte puniti izvan okvira opsega temperature navedenog u uputstvima.** Nepropisno punjenje ili punjenje pri temperaturama izvan okvira određenog opsega može oštetiti bateriju i povećati opasnost od požara.

SERVISIRANJE

- **Servisiranje električnog alata prepustite kvalifikovanom osoblju za popravak koje upotrebljava samo identične zamjenske dijelove.** Time će se osigurati održavanje sigurnosti električnog alata.
- **Nemojte nikada servisirati oštećene komplete baterija.** Servisiranje kompleta baterija smiju obavljati samo proizvođač ili ovlašteni serviseri.

PRIJE UPOTREBE OVOG PROIZVODA PROČITAJTE SVA UPUTSTVA!

OBUKA

- Nemojte nikada dozvoliti da ovaj uređaj upotrebljavaju djeca, osobe ograničenih fizičkih, čulnih ili mentalnih sposobnosti ili nedovoljnog iskustva i znanja ili osobe koje nisu upoznate s ovim uputstvima.
- Rukovalac ili korisnik odgovoran je za nesreće ili opasnosti za druge osobe ili njihovu imovinu.

PRIPREMA

- Ovaj električni alat može se upotrebljavati na kiši ili u mokrim uslovima. Električni alat osušite nakon obavljenog posla.
- Prije upotrebe provjerite jesu li baterije ili kompleti baterija oštećeni. Nemojte upotrebljavati uređaj ako su baterije ili komplet baterija oštećeni.

RAD

- Ovaj električni alat može se upotrebljavati na kiši ili u mokrim uslovima. Električni alat osušite nakon obavljenog posla.
- Odspojite baterije ili komplet baterija:
 1. kada ostavljate uređaj;
 2. prije uklanjanja blokade;
 3. prije provjere, čišćenja ili rada na uređaju;
 4. ako uređaj počne da neuobičajeno vibrira.
- Uvijek osigurajte dobro uporište na nagibima.
- Hodajte, nemojte nikada trčati.
- Sve ulazne otvore zraka za hlađenje održavajte očišćenim od nečistoća.
- Preporučujemo da uređaj upotrebljavate samo u razumna doba dana – ne rano ujutro ili kasno navečer kada možete smetati ljudima.
- U prašnjavim uslovima preporučujemo da blago navlažite površine ili da upotrebljavate priključak raspršivača.

⚠ UPOZORENJE! Opasnost od rotirajućih dijelova!

- Upotrebljavajte cijeli produžetak mlaznice puhača lišća tako da zrak može strujati blizu tla.
- Nemojte upotrebljavati uređaj u blizini otvorenih prozora, itd.

ODRŽAVANJE I SKLADIŠTENJE

- Sve matice, svornjake i vijke održavajte pritegnutima radi osiguravanja sigurnog radnog stanja uređaja.
- Zamijenite istrošene ili oštećene dijelove.
- Upotrebljavajte samo originalne zamjenske dijelove i pribor.
- Uređaj skladištite samo na suhom mjestu.

⚠ UPOZORENJE! Radi smanjenja opasnosti od požara, strujnog udara ili povreda:

VAŽNO!

PAŽLJIVO PROČITAJTE PRIJE UPOTREBE.

SAČUVAJTE ZA BUDUĆE POTREBE.

- Nemojte dozvoliti da se puhač lišća upotrebljava kao igračka. Potreban je poseban oprez kada puhač lišća upotrebljavaju djeca ili kada se puhač lišća upotrebljava u blizini djece.
- Ako puhač lišća ne radi propisno, ako je ispao, oštećen ili ako je pao u vodu, vratite ga u servisni centar.
- Nemojte stavljati predmete u otvore uređaja. Nemojte upotrebljavati uređaj ako su otvori blokirani. Otvore održavajte očišćenim od prašine, vlakana, dlaka i svega ostalog što može smanjiti protok zraka.
- Budite posebno oprezni kada čistite na stepenicama.
- Puhač lišća nemojte ostavljati bez nadzora kada je utikač baterije utaknut. Izvadite bateriju kada ne upotrebljavate puhač lišća i prije radova servisiranja.
- Punjačem, uključujući utikač punjača ili priključke punjača, nemojte rukovati mokrih ruku.
- Komplet baterija nemojte puniti na otvorenom.

⚠ UPOZORENJE!

- Komplet baterija je potrebno izvaditi iz uređaja prije odlaganja u otpad.

- Bateriju je potrebno odložiti u otpad na siguran način.

- **NEMOJTE** pokušavati da čistite začepljenja iz jedinice, a da prethodno niste izvadili bateriju.

- **Puhač lišća i pripadajuće rukohvate održavajte suhim, čistim i očišćenim od ulja i masti.** Za čišćenje uvijek upotrebljavajte čistu krpu. Za čišćenje puhača lišća nemojte nikada upotrebljavati koćione tekućine, benzin, proizvode na bazi nafte ili jake rastvore. Pridržavanjem ovog pravila smanjit će se opasnost od gubitka kontrole nad uređajem i trošenje plastičnih dijelova kućišta.
- **Baterije mogu eksplodirati u prisutnosti izvora paljenja, kao što je plinski plamen.** Radi izbjegavanja opasnosti od teških tjelesnih povreda, akumulatorski proizvod nemojte nikada upotrebljavati u prisutnosti otvorenog plamena. Eksplozivna baterija može izbaciti krotine i hemikalije. U slučaju izlaganja zahvaćena mjesta odmah isperite vodom.
- **Jedinicu nemojte nikada pokretati bez propisno pričvršćene opreme.** Uvijek se uvjerite da je cijev puhača lišća postavljena.
- **Puhač lišća nemojte nikada upotrebljavati u blizini vatre ili vrućeg pepela.** Upotreba u blizini vatre ili pepela može izazvati požar i rezultirati teškim povredama i/ili materijalnim štetama.
- **Puhač lišća nemojte nikada upotrebljavati za raspršivanje hemikalija, gnojiva ili drugih toksičnih supstanci.** Raspršivanje takvih supstanci može rezultirati teškim povredama rukovaoca ili drugih prisutnih osoba.
- **Sačuvajte ova uputstva.** Uputstvima se koristite često i koristite ih za upućivanje drugih osoba koje mogu upotrebljavati ovaj alat. Ako ovaj alat nekom posudite, priložite i ovo uputstvo radi sprečavanja nepropisne upotrebe proizvoda i mogućih povreda.

SAČUVAJTE OVA UPUTSTVA!

TEHNIČKI PODACI

Napon	56V
Maksimalna količina zraka na mlaznici	986 m ³ /h
Preporučena radna temperatura	-15 °C - 40 °C
Preporučena temperatura skladištenja	-20 °C - 70 °C
Maksimalna brzina zraka	65 m/s (bez okrugle mlaznice)
	75 m/s (s okruglom mlaznicom)

Približno vrijeme rada (s EGO baterijom 5,0 Ah)	18 min. (u režimu ubrzanog rada)
	30 min. (visoka brzina)
	200 min. (niska brzina)
Maksimalna sila puhanja	18 N
Masa puhača lišća (bez kompleta baterija)	2,18 kg
Izmjereni nivo zvučne snage L _{WA}	94,73 dB(A) K = 2,83 dB(A)
Nivo zvučnog pritiska kod uha rukovaoca L _{PA}	78,4 dB(A) K = 2,5 dB(A)
Zagarantovani nivo zvučne snage L _{WA} (u skladu s Direktivom 2000/14/EZ)	98 dB(A)
Vibracije a _h	0,505 m/s ² K = 1,5 m/s ²

- Deklarisane ukupne vrijednosti vibracija izmjerene su u skladu sa standardnom metodom ispitivanja i mogu se primjenjivati za poređenje jednog alata s drugim.
- Deklarisane ukupne vrijednosti vibracija mogu se primjenjivati i u preliminarnoj procjeni izloženosti.

NAPOMENA! Emisija vibracija tokom aktualne upotrebe električnog alata može se razlikovati od deklarirane vrijednosti u kojoj se alat upotrebljavao; Korisnik radi zaštite treba nositi rukavice i štitnike za uši u aktualnim uvlova ma upotrebe.

LISTA PAKOVANJA

NAZIV DIJELA	KOLIČINA
Puhač lišća	1
Cijev puhača lišća	1
Priključak mlaznice	2
Korisnički priručnik	1

OPIS

UPOZNAJTE SVOJ PUHAČ LIŠĆA (sl. A)

1. Ravna mlaznica
2. Okrugla mlaznica
3. Cijev puhača lišća
4. Dugme za otpuštanje cijevi
5. Postolje
6. Ulazni otvor za zrak
7. Dugme za izbacivanje baterije
8. Električni kontakti
9. Bravica
10. Dugme za oslobađanje baterije
11. Okidač za brzinu zraka
12. Dugme za ubrzan rad
13. Dugme za odabir brzine/zabrzavanje

⚠ UPOZORENJE! Sigurna upotreba ovog proizvoda zahtijeva razumijevanje informacija na alatu i u ovom uputstvu za upotrebu, kao i poznavanje radova koje namjeravate obaviti. Prije upotrebe ovog proizvoda upoznajte se sa svim radnim funkcijama i sigurnosnim propisima.

SASTAVLJANJE

⚠ UPOZORENJE! Ako je bilo koji dio oštećen ili ako nedostaje, nemojte upotrebljavati ovaj proizvod dok ne zamijenite dijelove. Upotreba ovog proizvoda oštećenih dijelova ili dijelova koji nedostaju može rezultirati teškim tjelesnim povredama.

⚠ UPOZORENJE! Nemojte pokušavati da modifikujete ovaj proizvod ili da pravite pribor koji nije preporučen za upotrebu s ovim puhačem lišća. Sve takve izmjene ili modifikacije predstavljaju nepropisnu potrebu i mogu rezultirati opasnim stanjima koja mogu dovesti do mogućih teških tjelesnih povreda.

⚠ UPOZORENJE! Radi sprečavanja iznenadnog pokretanja koje može uzrokovati teške tjelesne povrede, uvijek izvadite komplet baterija iz alata kada postavljate dijelove.

PRIMJENA

Ovaj proizvod možete upotrebljavati za svrhe navedene u nastavku:

- Čišćenje čvrstih površina kao što su putevi i staze.
- Održavanje trijemova i puteva očišćenim od lišća i borovih iglica.

NAPOMENA! Alat se smije upotrebljavati samo za prethodno opisanu namjenu. Svaka druga upotreba smatra se nepropisnom upotrebom.

POSTAVLJANJE/SKIDANJE CIJEVI PUHAČA LIŠĆA

■ Postavljanje (sl. B i C)

Poravnajte žlijeb i gurnite cijev na kućište puhača lišća tako da čujete zvuk "klikanja".

■ Skidanje (sl. D)

Pritisnite dugme za otpuštanje cijevi i izvucite cijev.

POSTAVLJANJE/SKIDANJE OKRUGLE/RAVNE MLAZNICE PUHAČA LIŠĆA

■ Postavljanje (sl. E i F)

Poravnajte žlijeb u okrugloj mlaznici s okretnim dugmetom cijevi i gurnite mlaznicu na cijev da čujno nalegne.

■ Skidanje (sl. G)

Pritisnite dugme za otpuštanje mlaznice i držite ga pritisnutim da deaktivirate zapor, a zatim ravno povucite mlaznicu s puhača lišća.

NAPOMENA! Za postavljanje ili skidanje ravne mlaznice postupite na isti način.

POSTAVLJANJE/SKIDANJE KOMPLETA BATERIJA

Komplet baterija napunite prije prve upotrebe.

Upotrebljavajte samo s kompletima baterija i punjačima koji su navedeni na sl. A.

■ Postavljanje (sl. H)

Poravnajte kontakte baterije s montažnim utorima i pritišćite komplet baterija prema dolje dok ne začujete zvuk "klikanja".

■ Skidanje (sl. I)

Pritisnite dugme za oslobađanje baterije i izvucite komplet baterija.

UPOZORENJE! Kada pritišćete dugme za oslobađanje baterije, uvijek vodite računa o položaju stopala, djece ili kućnim ljubimcima. Ako komplet baterija padne, može doći do teških povreda. Komplet baterija nemojte NIKADA vaditi kada se nalazite visokom položaju.

Opis dijelova na sl. H pogledajte u nastavku:

H-1	Dugme za oslobađanje baterije	H-3	Montažni utor
H-2	Priključak baterije		

POKRETANJE/ZAUSTAVLJANJE PUHAČA LIŠČA (sl. J)

■ Samo okidač za brzinu zraka

1. Za uključivanje puhača lišća pritisnite okidač za brzinu zraka.
2. Brzinom zraka puhača lišća upravlja se pomoću varijabilnog okidača brzine. Veći pritisak na okidač rezultira višim brzinama puhanja, a manji pritisak na okidač nižim brzinama puhanja. Podesite brzinu da odgovara odnosnom zadatku.
3. Za isključivanje puhača lišća otpustite okidač za brzinu zraka.

■ Samo dugme za odabir brzine/zabavljanje

Puhač zraka može se uključiti i završiti pri bilo kojoj brzini pomoću dugmeta za odabir brzine/zabavljanje.

1. Za pokretanje puhača lišća okrenite dugme za odabir brzine/zabavljanje u smjeru kretanja kazaljki na satu. Brzina zraka povećat će se okretanjem dugmeta u smjeru kretanja kazaljki na satu.
2. Za smanjenje brzine zraka okrenite dugme za odabir brzine/zabavljanje u smjeru suprotnom smjeru kretanja kazaljki na satu.
3. Za zaustavljanje puhača lišća nastavite okretati dugme za odabir brzine/zabavljanje u smjeru suprotnom smjeru kretanja kazaljki na satu u isključeni položaj.

NAPOMENA! Ako se dugme za odabir brzine/zabavljanje ne okrene nazad u isključeni položaj prije uključivanja puhača lišća, puhač lišća neće se pokrenuti putem dugmeta za odabir brzine/zabavljanje kada se postavi napunjena baterija. To je zaštitna funkcija za sprečavanje iznenadnog pokretanja. Zaštita se može deaktivirati pritiskom na okidač za brzinu zraka.

Za privremeno povećanje brzine zraka na maksimalni nivo, tokom rada pritisnite dugme za ubrzan rad. Po otpuštanju dugmeta za ubrzan rad, puhač lišća nastavit će raditi na prethodnoj brzini.

Opis dijelova na sl. J pogledajte u nastavku:

J-1	Dugme za odabir brzine/zabavljanje	J-3	Okidač za brzinu zraka
J-2	Dugme za ubrzan rad		

Savjeti za upotrebu puhača lišća

- Radi izbjegavanja rasipanja otpada, puhač lišća usmjeravajte oko vanjskih rubova hrpe otpada. Puhač lišća nemojte nikada usmjeravati u sredinu hrpe.
- Radi smanjenja nivoa zvuka, ograničite broj komada korištene opreme u bilo koje vrijeme.

- Za čišćenje nečistoća prije otpuhivanja upotrebljavajte grablje i metle. U prašnjavim uslovima blago navlažite površine ako je voda dostupna.
- Pazite na djecu, kućne ljubimce, otvorene prozore ili svježe oprane automobile i na siguran način otpušite otpad.
- Puhače lišća ili drugu opremu očistite nakon upotrebe! Propisno zbrinite otpad.
- Ne preporučujemo dugotrajnu upotrebu puhača lišća pri visokoj brzini jer velike vibracije i buka mogu naštetiti vašem zdravlju.

ODRŽAVANJE

⚠ UPOZORENJE! Kada obavljate radove servisiranja, upotrebljavajte samo identične zamjenske dijelove. Upotreba drugih dijelova može uzrokovati opasnost ili oštećenje proizvoda. Radi osiguranja sigurnosti i pouzdanosti, sve popravke treba obavljati kvalifikovani servisni tehničar.

⚠ UPOZORENJE! Radi izbjegavanja teških tjelesnih povreda, uvijek izvadite komplet baterija iz proizvoda prije obavljanja radova čišćenja ili održavanja.

OSNOVNO ODRŽAVANJE

Kada čistite plastične dijelove, izbjegavajte upotrebljavati rastvore. Mnoge plastike mogu se oštetiti različitim vrstama komercijalnih rastvora i mogu se oštetiti njihovom upotrebom. Za uklanjanje prijavštine, prašine, ulja, masti i sl. upotrebljavajte čiste krpe.

⚠ UPOZORENJE! Nemojte nikada dozvoliti da kočione tekućine, benzin, proizvodi na bazi nafte, penetrirajuća ulja i sl., dođu u kontakt s plastičnim dijelovima. Hemikalije mogu oštetiti, oslabiti ili uništiti plastiku, što može rezultirati teškim tjelesnim povredama.

SKLADIŠTENJE

- Izvadite komplet baterija iz puhača lišća.
- Očistite sav strani materijal iz ulaznih otvora za zrak puhača lišća.
- Alat skladištite u zatvorenim prostorima na mjestu nedostupnom djeci. Alat držite podalje od korozivnih sredstava kao što su vrtna hemijska sredstva i soli za odmrzavanje.

Zaštita životne sredine



Električnu opremu, punjač baterije i baterije/punjive baterije ne odlažite u kućni otpad!

Evropska Direktiva 2012/19/EU o električnoj i elektroničkoj opremi koja više nije iskoristiva i Evropska Direktiva 2006/66/EZ zahtijevaju da se neispravni ili iskorišteni kompleti baterija/baterije moraju sakupljati zasebno na ekološki prihvatljiv način.

Ako se električni uređaji odlažu na odlagališta otpada ili deponije, opasne tvari mogu iscurjeti u podzemne vode i dospjeti u lanac ishrane i negativno uticati na zdravlje i dobrobit ljudi.

OTKLANJANJE PROBLEMA

PROBLEM	UZROK	RJEŠENJE
Puhač lišća ne radi.	<ul style="list-style-type: none"> ■ Komplet baterija nije pričvršćen na puhač lišća. 	<ul style="list-style-type: none"> ■ Pričvrstite komplet baterija na puhač lišća.
	<ul style="list-style-type: none"> ■ Nema električnog kontakta između puhača lišća i baterije. 	<ul style="list-style-type: none"> ■ Izvadite bateriju, provjerite kontakte i ponovo stavite komplet baterija.
	<ul style="list-style-type: none"> ■ Komplet baterija je ispražnjen. 	<ul style="list-style-type: none"> ■ Napunite komplet baterija.
	<ul style="list-style-type: none"> ■ Komplet baterija ili puhač lišća je previše vruć. 	<ul style="list-style-type: none"> ■ Pričekajte da se komplet baterija ili puhač lišća ohlade na temperaturu ispod 67 °C.
	<ul style="list-style-type: none"> ■ Dugme za odabir brzine/zabavljanje nije okrenuto nazad u isključeni položaj prije uključivanja puhača lišća. 	<ul style="list-style-type: none"> ■ Za deaktivaciju zaštite pritisnite okidač za brzinu zraka i pokrenite puhač lišća ili najprije okrenite dugme za odabir brzine/zabavljanje u isključeni položaj.
Brzina zraka primjetno se smanjuje.	<ul style="list-style-type: none"> ■ Prekomjerna istrošenost ventilatora motora. 	<ul style="list-style-type: none"> ■ Za popravak se obratite servisnom centru proizvođača EGO.
	<ul style="list-style-type: none"> ■ Ulazni otvor za zrak blokiran je naslagama. 	<ul style="list-style-type: none"> ■ Izvadite komplet baterija, očistite naslage.

GARANCIJA

POLITIKA GARANCIJE PROIZVOĐAČA EGO

Za sve odredbe i uslove politike garancije proizvođača EGO posjetite internetsku stranicu egopowerplus.com.

קראו את כל ההוראות!



קראו את מדריך ההוראות למפעיל

הודעה: הוראות אלה יהיו זמינות גם בפורמט חלופי, כגון באתר אינטרנט.

⚠ סיכון שיויר! אנשים בעלי מכשירים חשמליים כגון קוצבי לב, צריכים להתייעץ עם הרופא(ים) המטפל(ים) בהם לפני השימוש במכשיר זה. הפעלה של ציוד חשמלי בקרבת קוצבי לב עלולה להפריע לפעולת הקוצב או אפילו להפסיק את פעולתו.

⚠ אזהרה: על מנת להבטיח בטיחות ואמינות, יש לבצע את כל התיקונים וההחלפות בעזרת טכנאי שירות מוסמך.

סימני בטיחות

מטרתם של סימני הבטיחות היא להפנות את תשומת לבכם אל סכנות אפשריות. סימני הבטיחות וההסברים שלהם דורשים את תשומת הלב וההבנה המלאות שלכם. סימני הבטיחות בעצמם לא ימנעו כל סכנה. ההוראות והאזהרות אותן הם מספקים לא תחלפנה נקיטת אמצעי מניעה מתאימים בעת תאונת.

⚠ אזהרה: וודאו שאתם קוראים ומבינים את כל הוראות הבטיחות המופיעות במדריך זה למשתמש, כולל את כל סימני התראות הבטיחות כגון „סכנה“, „אזהרה“ ו-„זהירות“ לפני השימוש במכשיר זה. אי מילוי אחר כל ההוראות המופיעות למטה יכול לגרום להלם חשמלי, שריפה ו/או פציעות חמורות.

הודעות מידע ומניעת סכנה

אלה מודיעות למשתמש על מידע חשוב ו/או הוראות אשר אם לא יבוצעו הן עשויות לגרום לנזק לרכוש. לפני כל הודעה מופיעה המילה, „הודעה“, כמו בדוגמה להלן:

הודעה: נזק לציוד ו/או לרכוש עשוי להיגרם אם הוראות אלה לא יבוצעו.

⚠ אזהרה: הפעלה של כלי עבודה חשמליים עלולה לגרום לעצמים זרים להיזרק אל תוך העיניים, דבר העלול לגרום לנזק חמור לעיניים. לפני



הפעלה של כלי עבודה חשמלי, ענדו תמיד משקפי מגן או משקפי בטיחות עם הגנה צדדית, ובעת הצורך, הגנה עבור כל הפנים. אנו ממליצים על שימוש במסכת בטיחות רחבה מעל למשקפי המגן או על שימוש במשקפי בטיחות עם הגנה צדדית.

הוראות בטיחות

עמוד זה מציין ומתאר את סימני הבטיחות העשויים להופיע על גבי המוצר. קראו, הבינו ועקבו אחר ההוראות המופיעות על המכשיר לפני כל ניסיון להרכיב ולהשתמש בה.

	התראת בטיחות	אמצעים הקשורים לבטיחותכם.
	לבשו מגני עיניים	ענדו תמיד משקפי מגן או משקפי בטיחות עם הגנה צדדית, ובעת הצורך, הגנה עבור כל הפנים, בעת הפעלת מוצר זה.
	לבשו מגני אזניים	השתמשו תמיד במגני אזניים בעת הפעלת מוצר זה.
	קראו את מדריך ההוראות	על מנת להפחית את הסיכון לפציעות, על המשתמש לקרוא ולהבין את המדריך למשתמש לפני השימוש במוצר זה.
	בקשו מאנשים אחרים להתרחק	הרחיקו אנשים אחרים למרחק של 15 מ' לפחות.
V	וולט	מתח
A	אמפרים	זרם
Hz	הרץ	תדירות (מחזורים לשנייה)
W	וואט	מתח
min	דקות	זמן
m ³ /h	מ"ר לשעה	נפח אוויר
km/h	ק"מ לשעה	מהירות האוויר
~	זרם חלופי	סוג זרם
≡	זרם ישיר	סוג או מאפיין מתח
n ₀	מהירות ללא עומס	מהירות סיבובית, ללא עומס
.../min	לדקה	סיבובים לדקה

בעת שימוש במכשירי חשמל יש לנקוט באמצעי זהירות בסיסיים, כולל האמצעים הבאים:

אזהרות בטיחות כלליות עבור כלי עבודה חשמליים

אזהרה: קראו את כל אזהרות הבטיחות, את ההוראות, התמונות והמפרטים המסופקים ביחד עם מכשיר חשמלי זה. אי מילוי כל ההוראות המופיעות למטה יכול לגרום אחריו שוק חשמלי, שרפה ו/או פציעה חמורה

שימרו את כל האזהרות וההוראות לעיון עתיד. המושג «כלי עבודה חשמלי» בחלק האזהרות מתייחס אל כלי העבודה החשמלי שלכם (חוטי) או כלי עבודה חשמלי המונע על ידי סוללות (אלחוטי).

בטיחות סביבת העבודה

- שימרו על סביבת העבודה נקייה ומוארת כהלכה. סביבות לא מסודרות ואפלות מזמינות תאונות.
- אל תפעילו את המכשיר החשמלי באזורים דליקים, בנוכחות נוזלים דליקים, גזים או אבק. כלי עבודה חשמליים מייצרים ניצוצות העלולים להצית את האבק או האדים.
- בקשו מילדים ומעוברי אורח להתרחק מן המכשיר החשמלי בעת הפעלתו. הסחות דעת עלולות לגרום לכם לאבד את השליטה.

בטיחות חשמלית

- התקעים של המכשיר החשמלי צריכים להיות מתאימים לשקע. לעולם אל תשנו את התקע בכל צורה שהיא. אל תשתמשו במתאמים עבור תקעים של מכשירים חשמליים בעלי הארקה. תקעים שלא שנו ושקעים מתאימים יפחיתו את הסיכון להלם חשמלי.
- הימנעו ממגע עם משטחים בעלי הארקה, כגון צינורות, רדיאטורים, כיריים ומקררים. יש סיכון גבוה להלם חשמלי אם הגוף שלכם מוארק.
- אל תחשפו את המכשיר החשמלי לגשם או לתנאים רטובים. מים הנכנסים אל המכשיר החשמלי יגבירו את הסכנה להלם חשמלי.
- אל תפעילו לחץ על הכבל. לעולם אל תשתמשו בכבל על מנת לשאת, למשוך או להוציא את המכשיר החשמלי מן השקע. שימרו על הכבל הרחק ממקורות חום, שמן, קצוות חדים או חלקים נעים. כבלים ניזוקים או מלופפים מגבירים את הסיכון לשוק חשמלי.
- בעת הפעלת המכשיר החשמלי בחוץ, עשו שימוש בכבל מאריך המתאים לשימוש בחוץ. השימוש בכבל מאריך המתאים לשימוש בחוץ מפחית את הסיכון לשוק חשמלי.

- אם אין לא ניתן להימנע מהפעלת המכשיר החשמלי במקום לח, עשו שימוש במפסק פחת להגנה על המתח. השימוש במפסק פחת מפחית את הסיכון לשוק חשמלי.

בטיחות אישית

- הישארו דרוכים, הביטו במה שאתם עושים והשתמשו בשכל הישר כאשר אתם משתמשים במכשיר החשמלי. נא לא להשתמש במכשיר החשמלי כאשר אתם עייפים או תחת השפעה של סמים, אלכוהול או תרופות. רגע אחד של חוסר תשומת לב בעת הפעלת המכשיר החשמלי עלול לגרום לפציעה אישית חמורה.
- השתמשו בצידוד הגנה אישי. תמיד לבשו מגני עיניים. כאשר נעשה שימוש בצידוד הגנה כגון מסכת אבק, נעלי בטיחות נגד החלקה, קסדות או מגני אוזניים, בתנאים המתאימים, הדבר יפחית את הסיכון לפציעות אישיות חמורות.
- מנעו הפעלה מקרית. וודאו שהמתג נמצא במצב כבוי לפני חיבור של מקור מתח ולא מארז הסוללה, לפני הרמת המכשיר החשמלי או נשיאתו. נשיאה של מכשירים חשמליים כאשר האצבע שלכם ממוקמת על המתג או חיבור מקורות מתח למכשירים חשמליים הנמצאים במצב פועל, מזמינים תאונות.
- הסירו כל כלי כוונן או מפתח ברגים לפני ההפעלה של המכשיר החשמלי. מפתח ברגים או כלי כוונן המוצמד אל חלק מסתובב של המכשיר החשמלי עלול לגרום לפציעה אישית חמורה.
- אל תנסו להתמתח רחוק מדי. שימרו על צעד ואיזון בטוחים בכל זמן. הדבר מאפשר שליטה טובה יותר במכשיר החשמלי במצבים לא צפויים.
- לבשו בגדים מתאימים. אל תלבשו בגדים רפויים או תכשיטים. שימרו על השיער שלכם ועל חלקי ביגוד וכפפות הרחק מחלקים נעים. בגדים רפויים, תכשיטים או שיער ארוך עלולים להתפס בחלקים הנעים.
- אם המכשירים מגיעים ביחד עם חיבור להוצאת אבק ומתקני איסוף, וודאו שאלו מחוברים כהלכה והשימוש בהם נעשה באופן נכון. השימוש במתקני אבק יכול להפחית סכנות הקשורות לאבק.
- אל תאפשרו לעצמכם להיות פחות זהירים בגלל שימוש תכוף במכשיר החשמלי, אל תהיו שאננים ואל תתעלמו מעקרונות הבטיחות. פעולה לא זהירה עלולה לגרום לפציעה חמורה בתוך שבריר שנייה.
- השימוש והטיפול במכשיר החשמלי
- אל תפעילו כוח על המכשיר החשמלי. השתמשו במכשיר החשמלי המיועד למטרה שלכם. המכשיר החשמלי הנוכח יבצע את עבודתו בצורה טובה ובטוחה יותר בקצב בו הוא תוכנן לפעול.

- תחת תנאי שימוש לא נאותים, נודל עלול להיפלט מן הסוללה; הימנעו ממגע. אם ישנו מגע מקרי, שטפו במים. אם מתרחש מגע עם העיניים, בנוסף, פנו לעזרה רפואית. נזל הנפלט מן הסוללה עלול לגרום לפריחה או כוויות.
 - אל תשתמשו במארז סוללה או מכשיר חשמלי ניזוקים או אשר שונו. סוללות ניזוקות או אשר שונו עלולות להתנהג בצורה לא צפויה אשר עלולה להסתיים בשרפה, פיצוץ או סיכון לפציעה אישית.
 - אל תחשפו את מארז הסוללה או את המכשיר אל אש או טמפרטורות גבוהות. חשיפה אל אש או טמפרטורות הגבוהות מ-130 °C עלולה לגרום לפיצוץ.
 - בצעו את כל הוראות ההטענה ואל תטעינו את מארז הסוללה או את הכלי החשמלי מחוץ לטווחי הטמפרטורה המצוינים בהוראות אלו. הטענה לא נכונה או מחוץ לטווחי הטמפרטורה המצוינים עלולים לגרום לנזק ולהעלות את הסיכון לשרפה.
- שירות**
- בצעו עבודות שירות על המכשיר החשמלי שלכם רק באמצעות טכנאי שירות מוסמך העושה שימוש בחלקי חילוף זהים בלבד. הדבר יבטיח שבטיחות המכשיר החשמלי נשמרת.
 - לעולם אל תבצעו עבודות שירות למארזי סוללה ניזוקים. שירות למארזי סוללה צריך להתבצע רק על ידי היצרן או ספקי שירות מוסמכים.
- ## קראו את כל ההוראות לפני השימוש במוצר זה!
- הכשרה**
- לעולם אין לאפשר לילדים, לאנשים בעלי יכולות פיזיות, תחושתיות או מנטליות מוגבלות או חוסר ניסיון וידע או לאנשים שאינם מכירים את ההוראות להשתמש במכשיר.
 - המפעיל או המשתמש אחראיים עבור כל תאונה או סכנה אשר עלולים להתרחש לאנשים אחרים או לרכושם.
- הכנה**
- ניתן להשתמש במכשיר החשמלי בגשם או בתנאים רטובים. נגבו את המכשיר החשמלי לאחר סיום העבודה.
 - לפני השימוש יש לבדוק שהסוללות או מארזי הסוללה אינם פגומים. אין להשתמש במכשיר אם הסוללות או מארז הסוללה פגומים.
- הפעלה**
- ניתן להשתמש במכשיר החשמלי בגשם או בתנאים רטובים. נגבו את המכשיר החשמלי לאחר סיום העבודה.
- אל תשתמשו במכשיר החשמלי אם מתג הפעלה והכיבוי איננו פועל. כל מכשיר חשמלי אשר לא ניתן לשלוט בו בעזרת המתג הוא מסוכן ויש לתקן אותו.
 - נתקו את התקע ממקור החשמל ו/או הסירו את מארז הסוללה מן המכשיר החשמלי לפני ביצוע כל התאמה, שינוי של אביזרים, או אחסון של מכשירי חשמל. אמצעי זהירות למניעה אלו מפחיתים את הסיכון להפעלה מקרית של המכשיר החשמלי.
 - אחסנו מכשירים חשמליים אשר אינם בשימוש הרחק מהישג ידם של ילדים ואל תאפשרו לאנשים אשר אינם מכירים את המכשיר החשמלי או אשר לא קראו את ההוראות להפעיל את המכשיר החשמלי. מכשירים חשמליים מסוכנים בידם של אנשים אשר לא הוכשרו להפעיל אותם.
 - תחזקו מכשירים חשמליים. בדקו ישור או ליפוף של חלקים נעים, שבריה של חלקים וכל תנאים אחרים אשר עלולים להשפיע על פעולת המכשיר החשמלי. אם המכשיר החשמלי ניזוק, יש לתקן אותו לפני השימוש בו. תאונות רבות נגרמות כתוצאה מתחזוקה לקייה מכשירים חשמליים.
 - שימרו על כלי החיתוך חדים ונקיים. לכלי חיתוך אשר תוחזקו כהלכה בעלי קצוות חדים יש פחות סיכוי לבצע ליפוף וקלי יותר לשלוט בהם.
 - השתמשו במכשירים חשמליים, באביזרים, בחתיכות המכשירים וכו' בהתאם להוראות אלו, כאשר אתם לוקחים בחשבון את תנאי העבודה ואת העבודה שיש לבצע. שימוש במכשיר החשמלי לפעולות אחרות מאשר אלו אליהן הוא מיועד עלול להסתיים במצב מסוכן.
 - שימרו על הידיות ועל חלקי האחיזה יבשים, נקיים וללא שמן או חומרי סיכה. ידיות ומשטחי אחיזה מחליקים לא מאפשרים טיפול נכון ושליטה במכשיר במצבים לא צפויים.
- השימוש והטיפול בסוללה**
- הטעינו רק עם המטען המצוין על ידי היצרן. מטען המתאים למארז סוללה אחד עלול ליצור סכנת אש עבור מארז סוללה אחר.
 - השתמשו במכשירים חשמליים עם מארזי סוללה המיועדים להם. השימוש במארזי סוללה אחרים עלול ליצור סיכון לפציעות ושרפות.
 - כאשר מארז הסוללה איננו בשימוש, שימרו עליו במרחק מסוים מעצמים אחרים העשויים ממתכת, כגון מהדקי נייר, מטבעות, מפתחות, מסמרים, ברגים או עצמים קטנים ממתכת העלולים לבצע חיבור של מסוף אחד למשנהו. ביצוע קצר בין מסופי הסוללה עלול לגרום לכוויות או שרפה.

- אין להשאיר את המפוח ללא השגחה כאשר תקע הסוללה מחובר. הוציאו את הסוללה כאשר המפוח אינו בשימוש ולפני טיפול.
 - אין לטפל במטען, כולל תקע המטען או מסופי המטען בידיים רטובות.
 - אין להטעין את מארז הסוללה מחוץ לבית.
- ⚠ אזהרה:**
- יש להסיר את מארז הסוללה מן הציוד טרם זריקתו.
 - יש להשליך את הסוללות בדרך בטוחה.
 - אל תנסו לפנות חסימות מהיחידה מבלי להוציא תחילה את הסוללה.
 - שימרו על המפוח והידיים יבשים, נקיים וללא שמן או חומרי סיכה. השתמשו תמיד במטלית נקיה בעת הניקוי. לעולם אל תשתמשו בנוזלי בלמים, דלק, מוצרים מבוססי בנדין או כל ממס חזק אחר לניקוי המפוח שלך. ביצוע הוראה זו יפחית את הסיכון לאבדן שליטה ולבלאי של חיפוי הפלסטיק.
 - סוללות יכולות להתפוצץ בנוכחות מקור הצתה כגון להבית. כדי להפחית את הסיכון לנזק חמורה לעולם אל תשתמשו במוצרים אלחוטיים בנוכחות להבות גלויות. להבה שהתפוצצה יכולה להעיף סביב פסולת וכימיקלים. אם נחשפתם, שטפו מיד בכמות גדולה של מים.
 - לעולם אל תפעילו את היחידה כאשר הציוד הנדרש אינו מחובר. וודאו תמיד שצינור המפוח מחובר.
 - לעולם אל תשתמשו במפוח ליד אש או אפר חם. השימוש ליד אש או אפר יכול לגרום להתפשטות שרפות ולפגיעה חמורה ו/או נזק לרכוש.
 - לעולם אל תשתמשו במפוח כדי לפזר כימיקלים, חומרי דישון, או כל חומר רעיל אחר. פיזור חומרים אלה יכול לגרום לפגיעה חמורה למעיל או לסובבים.
 - שימרו על הוראות אלה. עיינו בהם בתדירות גבוהה והשתמשו בהם על מנת להדריך אחרים אשר עשויים להשתמש במכשיר. אם אתם מלווים את הכלי למישהו אחר, תנו לו גם את ההוראות הללו על מנת למנוע שימוש לא נכון במכשיר או פגיעות אפשריות.
- שימרו על הוראות אלו!**
- ## מפרטים
- | | |
|-----------------------|-------------------------|
| 56 V | מתח |
| 986 m ³ /h | נפח אוויר מקסימלי בפייה |
| -15°C-40°C | טמפרטורת הפעלה מומלצת |
| -20°C-70°C | טמפרטורת אחסון מומלצת |
- **נתקו את הסוללות או מארזי הסוללות:**
 1. כאשר אתם עוזבים את המכשיר;
 2. לפני ניקיון של חסימה;
 3. לפני בדיקה, ניקיון או עבודה על הציוד;
 4. אם המכשיר מתחיל לרטוט באופן שאיננו נורמלי.
 - בעת השימוש על גבי מדרונות, היו בטוחים בצעדים שלכם.
 - לכן, לעולם אל תרצו.
 - הקפידו שכל פתחי כניסת האוויר הקר יהיו נקיים מפסולת.
 - מומלץ להפעיל את המכשיר בשעות סבירות בלבד - לא מוקדם בבוקר או מאוחר בלילה כאשר הדבר עלול להפריע לאנשים אחרים.
 - מומלץ להרטיב מעט את המשטחים במצבים של ריבוי אבק או להשתמש בתרסיס המצורף.
- ⚠ אזהרה:** סכנה מפני חלקים מסתובבים!
- השתמשו בכל מאריך הפיה של המפוח כדי שזרם האוויר יוכל לפעול קרוב יותר לקרקע.
 - אין להפעיל את המכשיר ליד חלונות פתוחים וכד'.
- ### תחזוקה ואחסון
- שימרו על כל האומים, הבריחים והברגים הדוקים על מנת לוודא שהמכשיר נמצא בתנאי עבודה טובים.
 - החליפו חלקים בלויים או פגומים.
 - השתמשו בחלקי חילוף ואביזרים מקוריים בלבד.
 - אחסנו את המכשיר במקום יבש בלבד.
- ⚠ אזהרה:** אזהרה: כדי להפחית את הסיכון לשרפה, הלם חשמלי או פגיעה:
- ## חשוב
- קראו בעיון לפני השימוש.
 - שמרו לעיון עתידי.
 - אל תאפשרו למפוח לשמש כמשחק. נדרשת זהירות יתירה בעת שימוש על ידי ילדים או בקרבנם.
 - אם המפוח אינו עובד כמו שצריך, הוא הפול, נפגע, או נפל לתוך מים, החזירו אותו למרכז שירות.
 - אין להניח חפצים בפתחי המכשיר. אין להשתמש כאשר פתח כלשהו חסום, יש לשמור על כל הפתחים נקיים מאבק, מוך, שיער וכל דבר העלול להפחית את זרימת האוויר.
 - פעלו בזהירות יתירה בעת הניקיון מדרגות.

מהירות האוויר המקסימלית	65m/s (ללא הפיה העגולה)
	75m/s (כולל הפיה העגולה)
זמן הפעלה מקסימלי (עם סוללת 5.0Ah EGO)	18 דקות (מצב הגברה)
	30 דקות (מהירות גבוהה)
	200 דקות (מהירות נמוכה)
עוצמת נשיפה מקסימלית	18N
משקל (ללא מארז סוללה)	2.18 ק"ג
רמת עוצמת קול נמדדת L_{WA}	94.73 dB(A) K=2.83 dB(A)
רמת לחץ קול באוזן המפעיל L_{PA}	78.4 dB(A) K=2.5 dB(A)
רמת עוצמת קול מובטחת L_{WA} נמדדת על פי (2000/14/EC)	98 dB(A)
רטט a_h	0.505 מ"מ/שנייה ² K=1.5 מ"מ/שנייה ²

5. בסיס
6. פתח כניסת האוויר
7. הוצאת הסוללה
8. חיבורים חשמליים
9. בריח
10. כפתור שחרור הסוללה
11. הדק מהירות האוויר
12. כפתור הגברה
13. מהירות/נעילה על החוגה

⚠ אזהרה: השימוש בטעות במוצר זה מצריך הבנה של המידע הנמצא על גבי המכשיר ובמדריך הוראות זה, כמו גם ידע בנוגע לפרויקט אותו אתם מנסים לבצע. לפני השימוש במוצר זה, התוודעו לכל מאפייני ההפעלה וחוקי הבטיחות.

הרכבה

⚠ אזהרה: אם ישנם חלקים ניזוקים או חסרים, אל תפעילו את המכשיר עד אשר חלקים אלו יוחלפו. שימוש במכשיר זה עם חלקים פגומים או חסרים עלול לגרום לפגיעה אישית חמורה.

⚠ אזהרה: אל תנסו לשנות את המוצר או ליצור אביזרים אשר אינם מומלצים לשימוש ביחד עם המפוח. כל שינוי שכזה או הוספה מהווה שימוש לא נכון במכשיר ועלול לגרום לתנאים מסוכנים אשר יובילו לפגיעה אישית אפשרית.

⚠ אזהרה: על מנת למנוע הפעלה מקרית אשר עלולה להוביל לפגיעה אישית חמורה, הסירו תמיד את מארז הסוללה מן המכשיר בעת הרכבת חלקים.

יישום

אתם יכולים להשתמש במוצר רק עבור המטרות להלן:

- פינוי משטחים קשים כגון דרכי גישה ברגל או ברכב.
- שמירה על דרכי גישה ומשטחי עץ פנויים מעלים ומחטי אורן.

הודעה: יש להשתמש במכשיר רק עבור המטרות להן הוא יועד. כל שימוש אחר ייחשב לשימוש בלתי הולם.

הרכבה/הסרה של צינור המפוח

- **להרכבה (איור B ו-C)**
יישרו את החרוץ ודחפו את הצינור על מעטפת המפוח עד להישמע "קליק".
- **להסרה (איור D)**
לחצו על כפתור שחרור הצינור ומשכו את הצינור החוצה.
- **הרכבה/הסרה של הפיה העגולה/השטוחה של המפוח**
- **להרכבה (איור E ו-F)**

- ערך הרטט הכללי המוצהר נמדד בהתאם לשיטת בדיקה סטנדרטית וניתן להשתמש בו על מנת להשוות ציוד אחד עם ציוד אחר;
- ניתן להשתמש בערך הרטט הכללי המוצהר בהערכה ראשונית של חשיפה.

הודעה: פליטת הרטט בעת השימוש המעשי בכלי יכולה להיות שונה מן הערך המוצהר כאשר הכלי נמצא בשימוש; על מנת להגן על המפעיל, על המשתמש ללבוש כפפות ומגני אוזניים בעת השימוש בפועל.

רשימת אריזה

שם חלק	כמות
מפוח	1
צינור המפוח	1
אביזר הפיה	2
מדריך למפעיל	1

תיאור

הכירו את המפוח שלכם (איור A)

1. פיה שטוחה
2. פיה עגולה
3. צינור המפוח
4. כפתור שחרור הצינור

2. כדי להפחית את מהירות האוויר, סובבו את חוגת המהירות/נעילה נגד כיוון השעון.
3. המשיכו לסובב את חוגת המהירות/נעילה נגד כיוון השעון עד למצב הכבוי כדי לכבות את המפוח.

הודעה: אם חוגת המהירות/נעילה אינה מסובבת בחזרה למצב הכבוי לפני הפעלת המפוח, המפוח לא יופעל באמצעות חוגת המהירות/נעילה כאש מותקנת סוללה טעונה. זהו מאפיין הגנה שיעזור למנוע הפעלות בלתי מכוונות. לחיצה על הדק מהירות האוויר יכולה להשבית את ההגנה.

לחצו על לחצן ההגברה בזמן העבודה כדי להגביר את מהירות האוויר באופן זמני לרמה המקסימלית. המפוח יחזור למהירות הקודמת כאשר לחצן ההגברה ישוחרר.

ראו למטה תיאור חלקים בתמונה J:

J-1	חוגת מהירות/נעילה	J-3	
J-2	כפתור הגברה		

טיפים לשימוש במפוח

- כדי להימנע מפזיזור הפסולת, נשפו סביב הקצוות החיצוניים של ערימת פסולת. לעולם אל תנשפו ישירות למרכז הערימה.
- להפחתת רמות הרעש, הגבילו את מספר חלקי הציוד המשמשים בבת אחת.
- השתמשו במגרפות ומטאאים לשחרור הפסולת לפני השימוש במפוח. במצבי אבק, הרטיבו מעט את המשטחים כאשר יש מים בנמצא.
- שימו לב לילדים, חיות מחמד, חלונות פתוחים או מכונות שה עתה נשטפו, ונשפו את הפסולת הרחק משם בביטחה.
- לאחר שימוש במפוחים או בציוד אחר, נקו אחריכם! השליכו את הפסולת כראוי.
- לא מומלץ להשתמש במפוח במהירות גבוהה לזמן ארוך, מכיוון שרטט ורעש חזק עלולים להזיק לבריאותכם.

תחזוקה

⚠ אזהרה: במקרה של עבודות תיקון, השתמשו רק בחלקי חילוף זהים. שימוש בחלקי חילוף אחרים עלול לגרום לסכנה או נזק למוצר. על מנת להבטיח בטיחות ואמינות, יש לבצע את כל התיקונים וההחלפות בעזרת טכנאי שירות מוסמך.

⚠ אזהרה: על מנת למנוע פציעות אישיות, הסירו תמיד את מארז הסוללה מן המוצר לפני הניקיון או ביצוע כל עבודת תחזוקה.

יישרו את החריץ שבפיה העגולה עם כפתור הצינור ודחפו את הפיה על גבי הצינור עד שתיכנס למקומה בנקישה.

להסרה (אזור G)

לחצו והחזיקו את לחצן שחרור הפיה כדי לנתק את הברית, ואז משכו את הפיה הישר מהמפוח.

הודעה: בצעו את רצף הפעולות הנ"ל לחיבור או להסרה של הפיה השטוחה.

התקנה/הסרה של מארז הסוללה

הטעינו לפני השימוש הראשון.

A השתמשו רק עם מארזי הסוללה והמטענים הרשומים באזור

להתקנה (אזור H)

יישרו את עורקי הסוללה עם חריצי ההרכבה ולחצו את מארז הסוללה כלפי מטה עד אשר יישמע „קליק“.

להסרה (אזור I)

לחצו על כפתור שחרור הסוללה והסירו את מארז הסוללה.

⚠ אזהרה: שימו לב תמיד אל המיקום של הרגליים שלכם, ילדים או חיות מחמד, בעת לחיצה על כפתור שחרור הסוללה. עלולה להיגרם פציעה חמורה אם מארז הסוללה ייפול. לעולם אל תסירו את מארז הסוללה במקומות גבוהים.

ראו למטה תיאור חלקים באזור H:

H-1	כפתור שחרור סוללה	H-3	
H-2	עורק הסוללה		

הפעלה/כיבוי של המפוח (אזור J)

הדק מהירות האוויר בלבד

1. לחצו על הדק מהירות האוויר כדי להפעיל את המפוח.
2. מהירות האוויר של המפוח מבוקרת על ידי הדק המהירות המשתנה. לחץ נוסף על ההדק גורם למהירויות נשיפה גבוהות יותר, לחץ מופחת על ההדק גורם למהירויות נשיפה נמוכות יותר. התאימו את המהירות כך שתתאים למשימה הנוכחית.
3. שחררו את הדק מהירות האוויר כדי לכבות את המפוח.

חוגת מהירות/נעילה בלבד

ניתן להפעיל את המפוח ולנעול בכל מהירות שהיא בעזרת חוגת הניהור/נעילה

1. סובבו את חוגת המהירות/נעילה בכיוון השעון כדי להפעיל את המפוח. מהירות האוויר תגבר בזמן שהחוגה מסובבת בכיוון השעון.

תחזוקה כללית

הימנעו משימוש בממסים כאשר אתם מנקים חלקי פלסטיק. רוב חלקי הפלסטיק עלולים להינזק מסוגים שונים של ממסים מסחריים ועל ידי השימוש בהם. השתמשו במטליות נקיות על מנת להסיר לכלוך, אבק, שמן, חומר סיכה וכו'.

⚠ אזהרה: לעולם אל תיתנו לנזולי בלימה, בנזין, מוצרים מבוססי בנזין, שמנים וכו', לבוא במגע עם חלקי פלסטיק. חומרים כימיים עלולים להזיק, להחליש או להרוס את הפלסטיק והדבר עלול לגרום לפגיעה אישית חמורה.

אחסון

- הסירו את מארז הסוללה מהמפוח.
- נקו את כל החומרים הזרים מפתחי כניסת האוויר של המפוח.
- אחסנו בתוך הבית, במקום יבש אשר רחוק מהישג ידם של ילדים. הרחיקו מחומרים הגורמים לקורוזיה כגון כימיקלים לגינה ומלחים מסירי קרח.

הגנה על הסביבה

אל תיזרקו ציוד חשמלי, מטען הסוללה וסוללות/סוללות ניתנות לטעינה ביחד עם אשפה ביתית!



בהתאם לחוק האירופי 2012/19/EU, ציוד חשמלי ואלקטרוני אשר איננו נמצא יותר בשימוש, ובהתאם לחוק האירופי 2006/66/EC, ציוד חשמלי ואלקטרוני פגום או משומש, יאספו באופן נפרד ויושלכו באופן ראוי שאינו פוגע בסביבה.

אם ציוד חשמלי נזרק ביחד עם אשפה ביתית או במזבלה, חומרים מסוכנים עלולים לנזול אל האדמה ולהפוך לחלק משרשרת המזון, דבר העלול לגרום לנזק לבריאות והרווחה שלכם.

איתור וטיפול בבעיות

פתרון	סיבה	בעיה
<ul style="list-style-type: none"> ▪ חברו את מארז הסוללה אל המפוח. ▪ הסירו את הסוללה, בדקו את החיבורים והתקינו מחדש את מארז הסוללה. ▪ הטעינו את מארז הסוללה. ▪ קררו את מארז הסוללה או המפוח עד לטמפרטורה של פחות מ-67°C. ▪ לחצו על הדק מהירות האוויר כדי להשבית את ההגנה ולהפעיל את המפוח או סובבו תחילה את חוגת המהירות/נעילה למצב הכיבוי. 	<ul style="list-style-type: none"> ▪ מארז הסוללה אינו מחובר למפוח. ▪ לא מתבצע חיבור חשמלי בין המפוח לסוללה. ▪ קיבולת מארז הסוללה ריקה. ▪ מארז הסוללה או המפוח חמים מדי. ▪ חוגת המהירות/נעילה לא סובבה בחזרה למצב הכבי לפני הפעלת המפוח. 	המפוח אינו עובד.
<ul style="list-style-type: none"> ▪ צרו קשר עם מרכז השירות של EGO לצורך תיקון. ▪ הסירו את מארז הסוללה, נקו את הפסולת. 	<ul style="list-style-type: none"> ▪ בלאי מוגבר של מאוורר המנוע. ▪ פתח כניסת האוויר חסום על ידי פסולת. 	מהירות האוויר פוחתת באופן משמעותי.

אחריות

מדיניות האחריות של EGO

אנא בקרו באתר egopowerplus.com עבור התנאים וההתניות השלמים של מדיניות האחריות של EGO.

ترجمة التعليمات الأصلية

تعليمات السلامة



اقرأ دليل التشغيل

هذه الصفحة تصف وتشرح رموز السلامة التي قد تظهر على هذا المنتج. اقرأ جميع التعليمات المذكورة على الآلة وافهمها واتبعها قبل محاولة تجميع الآلة وتشغيلها.

ملاحظة: ينبغي أن تكون هذه التعليمات متاحة أيضاً بالتنسيق أحر، مثلاً على موقع إلكتروني.

⚠️ خطر زائد! الأشخاص الذين تم تركيب أجهزة طبية إلكترونية لهم، مثل منظم ضربات القلب، يجب عليهم استشارة الطبيب قبل استخدام هذا المنتج. لأن تشغيل معدات كهربائية بالقرب من منظم ضربات القلب قد ينشأ عنه خلل أو فشل أو قتل في أداء منظم ضربات القلب.

⚠️ تحذير: لضمان السلامة والاعتمادية، يجب تنفيذ جميع أعمال الإصلاح واستبدال الأجزاء من قبل فني خدمة مؤهل.

رموز السلامة

العرض من رموز السلامة هو جذب انتباهك إلى المخاطر المحتملة. رموز السلامة والشروح المصاحبة لها تستحق اهتمامك وفهمك الدقيق. تحذيرات كل رمز، بنفسها، لا تمنع وقوع أي خطر. التعليمات والتحذيرات التي تمنحك إياها لا تعد بديلاً عن تطبيق الإجراءات الملائمة لمنع وقوع الحوادث.

⚠️ تحذير: احرص على قراءة وفهم جميع تعليمات السلامة في دليل التشغيل هذا، بما في ذلك جميع رموز تنبيهات السلامة، مثل "خطر"، و"تحذير"، و"تنبيه"، قبل استخدام هذه الآلة. عدم اتباع جميع التعليمات الواردة أدناه قد يؤدي إلى حدوث صدمة كهربائية أو نشوب حريق أو التعرض للإصابة الشخصية، أحدها أو جميعها.

منع الأضرار ورسائل المعلومات

تقوم هذه الرسائل بإطلاع المستخدم على معلومات و/أو تعليمات هامة قد تؤدي إلى وقوع أضرار على المعدات أو الممتلكات الأخرى إذا لم يتم اتباعها. كل رسالة تكون مسبقة بكلمة "ملاحظة"، كما هو موضح في المثال أدناه:

ملاحظة: قد تقع أضرار على المعدات و/أو الممتلكات إذا لم يتم اتباع هذه التعليمات.

⚠️ تحذير: قد يؤدي تشغيل أي آلة عاملة بالطاقة إلى دخول أي أشياء غريبة في عينيك، وهو ما قد يؤدي إلى إلحاق أضرار خطيرة بالعينين. قبل بدء تشغيل الآلة العاملة بالطاقة، احرص دائماً على ارتداء واقات العينين أو نظارات حماية العينين ذات دروع جانبية، ودرع واق لكامل الوجه عند اللزوم. نوصي بارتداء قناع السلامة واسع الرؤية لاستخدامه فوق نظارات العين أو نظارات السلامة العادية ذات الدروع الجانبية.



	تنبيه سلامة	احتياطات تتعلق بسلامتك.
	ارتد أدوات حماية العينين	ارتد دائماً نظارات الحماية المزودة بواقيات على الجانبين، وينبغي ارتداء واق لكامل الوجه أثناء تشغيل هذا المنتج.
	ارتد أدوات حماية الأذنين	احرص دائماً على ارتداء أدوات حماية الأذنين عند تشغيل هذا المنتج.
	اقرأ دليل التشغيل	للحد من خطر الإصابة، يجب على المستخدم قراءة وفهم دليل التشغيل قبل استخدام هذا المنتج.
	ابق المرافقين بعيداً عن نطاق عمل الآلة	احتفظ بجميع الأشخاص المجاورين لك على مسافة لا تقل عن 15 مترًا عن مكان العمل.
V	فولت	الجهد الكهربائي
A	أمبير	التيار
Hz	هرتز	التردد (دورات في الثانية)
W	واط	الطاقة
min	دقائق	الوقت
m ³ /h	متر مكعب في الساعة	كمية الهواء
km/h	كيلومتر في الساعة	سرعة الهواء
~	تيار متردد	نوع التيار
≡	تيار مستمر	النوع أو خصائص التيار
n ₀	السرعة بدون حمل	سرعة الدوران، بدون حمل
.../min	في الدقيقة	لفة في الدقيقة

يجب اتباع الاحتياطات الأساسية عند استخدام جهاز كهربائي، بما في ذلك ما يلي:

تحذيرات السلامة العامة المتعلقة بالآلة العاملة بالطاقة

⚠ تحذير: اقرأ جميع تحذيرات السلامة والتعليمات والرسوم التوضيحية والمواصفات المرفقة مع هذه الآلة. عدم اتباع جميع التعليمات الواردة أدناه قد يؤدي إلى حدوث صدمة كهربائية أو نشوب حريق أو التعرض للإصابة، أحدها أو جميعها.

احتفظ بجميع التحذيرات والتعليمات للرجوع إليها في المستقبل.

يشير مصطلح "أداة عاملة بالطاقة" في التحذيرات إلى الآلة العاملة بالطاقة (الموصولة بسلك تيار) أو الآلة العاملة بالبطارية (غير الموصولة بسلك تيار).

سلامة منطقة العمل

- حافظ على منطقة العمل نظيفة ومضاءة جيداً. حيث عادة ما تتسبب المناطق المظلمة أو التي بها ركام إلى وقوع حوادث.
- لا تقم بتشغيل الآلات العاملة بالطاقة في أجواء قابلة للانفجار، على سبيل المثال في وجود سوائل أو غازات أو غبار قابلة للاشتعال. فقد تتسبب الآلات العاملة بالطاقة في صدور شرارة، والتي قد تتسبب في اشتعال الغبار أو الأبخرة القابلة للاشتعال.
- احتفظ بالأطفال والمشاهدين بعيداً عن موقع استعمال الآلة العاملة بالطاقة. حيث أن الإلهاءات قد تجعلك تفقد السيطرة على الآلة.

السلامة الكهربائية

- ينبغي أن يتوافق قايِس الآلة العاملة بالطاقة مع قايِس التيار. لا يجب إدخال تعديلات على القايِس بأي حال من الأحوال. لا تستخدم أي قوابِس مهبائية مع الآلات العاملة بالطاقة المؤرضة. ستؤدي القوابِس غير المعتدلة والمقايِس المتوافقة إلى الحد من خطر حدوث صدمة كهربائية.
- تجنب ملامسة الجسم لأسطح موزعة مثل الأتييبب والمشعاع والمواقِد والثلاجات. هناك خطر متزايد لحدوث صدمة كهربائية إذا كان جسمك موزعاً.
- لا تقم بتعريض الآلات العاملة بالطاقة للمطر أو الأجواء الرطبة. حيث سيؤدي الماء الذي يدخل إلى الآلة العاملة بالطاقة إلى زيادة خطر حدوث صدمة كهربائية.
- لا تعبث بسلك التيار. لا تقم أبداً باستخدام سلك التيار لحمل الآلة العاملة بالطاقة أو سحبها أو فصلها عن التيار. احتفظ بالسلك بعيداً عن مصادر الحرارة أو الزيت أو الحواف الحادة أو الأجزاء المتحركة. تؤدي أسلاك التيار التالفة أو المتشابكة إلى زيادة خطر حدوث صدمة كهربائية.
- عند تشغيل آلة عاملة بالطاقة في مكان خارجي مفتوح، استخدم سلك تمديد ملائم للاستخدام الخارجي. استخدم سلك ملائم للاستخدام الخارجي يحد من خطر حدوث صدمة كهربائية.
- إذا كان لا بد من تشغيل الآلة في مكان رطب، فاستخدم مصدر تيار محمي بقاطع تيار موزع. يؤدي استخدام قاطع التيار الموزع إلى الحد من خطر حدوث صدمة كهربائية.

السلامة الشخصية

- ابق منتهياً، وانتبه جيداً لما تفعله، وكن عقلانياً عند تشغيل آلة تعمل بالطاقة. لا تستخدم أداة آلة بالطاقة وأنت مجهد أو تحت تأثير المخدرات أو الكحوليات أو الأدوية. قد تؤدي لحظة من عدم الانتباه أثناء تشغيل الآلات العاملة بالطاقة إلى حدوث إصابات شخصية خطيرة.
- استعن بمعدات الحماية الشخصية. وارتد دائماً أدوات حماية العينين. سيؤدي استخدام أدوات الحماية كقناع الغبار أو أذنية السلامة المضادة للالزلاق أو القفعة الصلبة أو أدوات حماية السمع في ظروف مناسبة إلى الحماية من الإصابات الشخصية.
- امنع بدء تشغيل الآلة غير المتعمد. احرص على أن يكون مفتاح الطاقة في وضع الإيقاف قبل توصيل الآلة بمصدر التيار أو مجموعة البطاريات، أو التقاط الآلة أو حملها. قد يؤدي حمل الآلات العاملة بالطاقة وأصبعك على مفتاح التشغيل أو شحن الآلات العاملة بالطاقة ومفتاح التشغيل في وضع التشغيل إلى وقوع حوادث.
- أزل أي مفتاح تعديل أو مفتاح ربط قبل تشغيل الآلة العاملة بالطاقة. قد يؤدي ترك مفتاح ربط أو مفتاح عادي مركباً على جزء دَوَّار الآلة العاملة بالطاقة إلى وقوع إصابات شخصية.
- لا تقف في مكان تضطر لمد يديك بعيداً. قف وأنت ثابت ومتوازن في جميع الأوقات. وهو ما يسمح بتحكم أفضل في الآلة العاملة بالطاقة في الظروف غير المتوقعة.
- ارتد الملابس الملائمة. لا ترتد ملابس أو مجوهرات غير ثابتة. احتفظ بشعرك وملابسك بعيداً عن الأجزاء المتحركة. قد تعلق الملابس الفضفاضة أو المجوهرات أو الشعر الطويل في الأجزاء المتحركة.
- إذا تم تقديم أجهزة خاصة بتوصيل أدوات استخراج وجمع الغبار، فأحرص على توصيلها واستخدامها على النحو اللازم. قد يؤدي استخدام جمع الغبار إلى الحد من المخاطر المرتبطة به.
- لا تدع الخبرة المكتسبة من الاستخدام المتكرر للآلات يجعلك تتعامل دون الانتباه اللازم وتتجاهل مبادئ السلامة المتعلقة بالآلة. فقد يتسبب أي إجراء غير مدروس في إصابات خطيرة في جزء من الثانية.
- استخدام الآلة العاملة بالطاقة والعناية بها
- لا تجبر الآلة العاملة بالطاقة على أعمال تفوق قدرتها. استخدم الآلة العاملة بالطاقة الملائمة لأعمالك. ستقوم الآلة العاملة بالطاقة الملائمة بأداء أعمالك بشكل أفضل وأكثر أماناً بالمعدل الذي أعدت له.
- لا تستخدم الآلة العاملة بالطاقة إذا كان مفتاح التشغيل لا يمكن نقله إلى وضع التشغيل أو وضع الإيقاف. أي آلة عاملة بالطاقة لا يمكن التحكم فيها بمفتاح التشغيل تعتبر خطيرة وينبغي إصلاحها.
- أفضل القايِس من مصدر التيار و/أو اخلع مجموعة البطاريات -إذا كانت قابلة للخلع- من الآلة العاملة بالطاقة قبل إجراء أي تعديلات أو تغيير ملحقات أو تخزين الآلات العاملة بالطاقة. إجراءات السلامة الوقائية هذه تحد من خطر تشغيل الآلة العاملة بالطاقة بشكلٍ خاطئ.

- اتبع تعليمات الشحن ولا تشحن مجموعة البطارية أو الآلة في نطاق درجة حرارة خارج النطاق المحدد في التعليمات. قد يؤدي الشحن غير المضبوط أو في درجات حرارة خارج النطاق المسموح به إلى تلف البطارية وخطر نشوب حريق.
- الصيانة
- ينبغي إجراء الصيانة على الآلة بواسطة فني إصلاح متخصص باستخدام قطع غيار أصلية مطابقة فقط. فهذا سيضمن المحافظة على سلامة الآلة.
- لا تقم بصيانة مجموعات البطارية التالفة بأي حال من الأحوال. بل ينبغي أن تكون صيانة مجموعات البطارية من خلال الشركة الصانعة أو مقدمي الخدمة المعتمدين فقط.
- اقرأ جميع التعليمات قبل استعمال هذا المنتج!
- التدريب
- لا تسمح أبداً باستخدام الآلة بواسطة الأطفال، أو الأشخاص المصابين بإعاقة بدنية أو عقلية، أو من ليست لديهم خبرة ومعرفه، أو الأشخاص غير المعتمدين على تلك التعليمات.
- المشغل أو المستخدم هو المسؤول عن وقوع أي حوادث أو مخاطر يتعرض لها أشخاص آخرون أو تتعرض لها ممتلكاتهم.
- التحضير
- لا تقم بتعرض الآلة العاملة بالبطاقة للمطر أو الأجواء الرطبة. جفف الآلة العاملة بالبطاقة بعد الانتهاء من العمل.
- قبل الاستخدام، راجع البطاريات أو مجموعات البطاريات بحثاً عن أي علامات للتلف. لا تستخدم الجهاز إذا كانت البطاريات أو مجموعة البطارية تالفة.
- التشغيل
- لا تقم بتعرض الآلة العاملة بالبطاقة للمطر أو الأجواء الرطبة. جفف الآلة العاملة بالبطاقة بعد الانتهاء من العمل.
- أفضل البطاريات أو مجموعات البطاريات:
 1. في أي وقت تترك فيه الآلة؛
 2. قبل تنظيف أي انسداد؛
 3. قبل فحص الجهاز أو تنظيفه أو العمل داخل أي جزء من أجزائه؛
 4. إذا بدأ الجهاز في الاهتزاز بشكل غير طبيعي.
- تحقق دائماً من موضع أقدامك على المنحدرات.
- يجب عليك المشي، ولا تجري أبداً.
- احرص على خلو فتحات التهوية من أي بقايا.
- من الموصى به تشغيل الآلة في أوقات مناسبة فقط – فلا تقم بتشغيلها في الصباح الباكر أو متأخراً في الليل، كي لا تزعج الآخرين.
- من الموصى به ترطيب الأسطح قليلاً في الأجواء المترية أو استخدام ملحق رشاش الترطيب.
- حزن الآلات العاملة بالبطاقة غير المستخدمة بعيداً عن متناول أيدي الأطفال ولا تسمح للأشخاص غير المعتمدين على استخدام الآلات العاملة بالبطاقة أو على هذه التعليمات بتشغيل الآلة.
- الآلات العاملة بالبطاقة تكون خطيرة في أيدي الأشخاص غير المدربين.
- حافظ على الآلات العاملة بالبطاقة والملحقات. تحقق من عدم محاذة الأجزاء المتحركة أو ربطها، أو وجود كسور في الأجزاء، أو أي حالة أخرى قد تؤثر على عمل الآلة. إذا كان هناك تلف، فقم بإصلاح الآلة العاملة بالبطاقة قبل استخدامها.
- فالعديد من الحوادث يكون سببها الآلات التي لم تتم صيانتها.
- احتفظ بالأدوات القاطعة حادة ونظيفة. الأدوات القاطعة التي تتم صيانتها كما ينبغي للاحتفاظ بحوافها القاطعة حادة تكون أقل عرضة للانحناء وسهل التحكم فيها.
- استخدم الآلة والملحقات والقمم وما شابههم وفقاً لهذه التعليمات، مع الأخذ في الاعتبار ظروف العمل والأعمال التي سيتم تنفيذها. قد يؤدي استخدام الآلة في أعمال غير تلك المخصصة لها إلى حوادث خطيرة.
- احتفظ بالمقايض وأسطح الإمساك جافة ونظيفة وخالية من الزيوت والشحوم. لأن المقايض وأسطح الإمساك المنزلة لا تمنحك القدرة على التعامل والتحكم الآمنين في الآلة في المواقف غير المتوقعة.
- استخدام البطارية والعناية بها
- لا تُعد شحن الآلة إلا باستخدام الشاحن المحدد بواسطة الشركة الصانعة. فالشاحن الملائم لنوع من مجموعات البطارية قد يتسبب في نشوب حريق إذا تم استخدامه مع مجموعة بطارية أخرى.
- استخدم الآلات العاملة بالبطاقة مع مجموعات البطاريات المخصصة لها فقط. لأن استخدام أي مجموعات بطارية أخرى قد يؤدي إلى التعرض لإصابات أو نشوب حريق.
- عند عدم استخدام مجموعة البطارية، احتفظ بها بعيداً عن الأغراض المعدنية الأخرى مثل مشابك الأوراق أو العملات المعدنية أو المفاتيح أو المسامير أو البراغي أو الأغراض المعدنية الصغيرة الأخرى التي قد تتسبب في عمل دائرة قصر (قفز للدائرة) بين أقطاب البطارية. عمل دائرة قصر (قفز الدائرة) بين أطراف البطارية قد يتسبب في حروق أو نشوب حريق.
- في حالات التعامل السري، قد يحدث ارتشاح للسوائل من البطارية؛ لا تلامسها. إذا حدثت ملامسة بشكل عرضي، فاغسلها بالماء. إذا لامس السائل العينين، فاطلب المساعدة الطبية على الفور. المسائل المرشحة من البطارية قد يتسبب في حدوث احتياج في الجلد أو حروق.
- لا تستخدم مجموعة البطارية أو الآلة إذا كانا تالفتين أو تم إدخال تعديلات عليهما. لأن البطاريات التالفة أو التي تم تعديلها قد تعمل بشكل غير متوقع، وهو ما قد يؤدي لنشوب حريق أو حدوث انفجار أو أخط التعرض لإصابة.
- لا تقم بتعرض مجموعات البطارية أو الآلة للحريق أو درجات الحرارة الزائدة. التعرض لدرجات الحرارة الأعلى من 130 درجة مئوية قد يؤدي لحدوث انفجار.

- ⚠ **تحذير:** خطر وجود أجزاء دوارة!
- استخدم وصلة فوهة المنفاخ الكاملة كي يعمل تدفق الهواء بالقرب من الأرض.
- لا ينبغي تشغيل الآلة بالقرب من النوافذ المفتوحة، وما إلى ذلك.
- **الصيانة والتخزين**
- احرص على ربط جميع الصواميل والمسامير والبراغي بإحكام للتأكد من أن الجهاز في حالة عمل آمنة.
- استبدل الأجزاء المتآكلة أو التالفة.
- استخدم قطع الغيار والملحقات الأصلية فقط.
- يكون تخزين الجهاز في مكان جاف فقط.
- ⚠ **تحذير:** للحد من خطر التعرض لنشوب حريق أو صدمة كهربائية أو إصابة:

- لا تقم أبداً بتشغيل الوحدة دون تركيب المعدات المناسبة. تأكد دائماً من تركيب أنبوب المنفاخ.
- لا تقم أبداً باستخدام المنفاخ بالقرب من النيران أو الرماد الساخن. حيث أن التواجد بالقرب من النيران أو الرماد قد يتسبب انتشار النيران والتعرض لإصابات خطيرة و/أو تلف الممتلكات.
- لا تقم أبداً باستخدام المنفاخ في نثر المواد الكيميائية أو الأسمدة أو أي مواد سامة أخرى. لأن نثر تلك المواد قد يؤدي لوقوع إصابات خطيرة على المشغل أو المرافقين.
- **احفظ هذه التعليمات.** راجعهم باستمرار واستخدمهم لتوجيه الآخرين عند استخدام هذه الآلة. إذا قمت بإقراض هذه الآلة لشخص آخر، أرفق معها هذه التعليمات لمنع سوء استخدام المنتج والإصابات المحتملة.

احفظ هذه التعليمات!

المواصفات

هام

- اقرأ التعليمات بعناية قبل الاستخدام.
- احتفظ بالمعلومات للرجوع إليها كدليل مرجعي في المستقبل.
- لا تسمح باستخدام المنفاخ لعبة. المراقبة للصيقة واجبة عند الاستخدام بواسطة الأطفال، أو وجوده بالقرب منهم.
- إن لم يعمل المنفاخ كما ينبغي، أو سقط على الأرض، أو تعرض للتلوث، أو سقط في الماء، فقم بإعادته إلى أحد مراكز الصيانة.
- لا تضع أي شيء في أي فتحات. لا تستخدم الجهاز وهناك أي فتحة مسدودة؛ ولذلك حافظ على خلو الفتحات من الأتربة والنسالة والشعر وأي شيء قد يقلل من تدفق الهواء.
- انتبه جيداً عند التنظيف على السلالم.
- لا تترك المنفاخ دون مراقبة وقابس البطارية موصل. اخلع البطارية عند عدم استخدام المنفاخ وقبل صيانتها.
- لا تتعامل مع الشاحن، بما في ذلك قابس الشاحن أو أطراف الشاحن، ويدك مبتلتان.
- لا تشحن مجموعة البطارية في مكان خارجي مفتوح.
- ⚠ **تحذير:**
- تجنب إزالة مجموعة البطارية من الجهاز قبل التخلص منه.
- يجب التخلص من البطارية بشكل آمن.
- لا تحاول تنظيف الانسدادات في الوحدة دون خلع البطارية أولاً.
- **احتفظ بالمنفاخ ومقبضه جافاً نظيفاً خالياً من الزيوت والشحوم.** استخدم دائماً قطعة قماش نظيفة عند التنظيف. لا تستخدم أبداً سوائل الفرامال أو البنزين أو المنتجات القائمة على البنترول أو أي محاليل قوية أخرى لتنظيف المنفاخ. يساعد الامتثال لتلك التعليمات في تقليل خطر فقد التحكم وإلحاق أضرار بالهيكل البلاستيكي.
- **يمكن للبطاريات أن تنفجر في وجود مصدر إشعال، مثل الشعلة الدائمة.** للحد من خطر التعرض للإصابات الشخصية الخطيرة، لا تستخدم أي منتجات لا سلكية في وجود السنة لهب مباشرة. قد ينتج عن البطارية المنفجرة شظايا أو مواد كيميائية متطايرة. وإذا تعرضت لتلك الأشياء، اشطف المناطق المصابة بالماء على الفور.

56 فولت	الجهد الكهربائي
986 م ³ /ساعة	الحد الأقصى لحجم الهواء عند الفوهة
15- 40 درجة مئوية	درجة حرارة التشغيل الموصى بها
20- 70 درجة مئوية	درجة حرارة التخزين الموصى بها
65 م/ثانية (بدون الفوهة المستديرة)	الحد الأقصى لسرعة الهواء
75 م/ثانية (مع الفوهة المستديرة)	
18 دقيقة (وضع التعزيز)	متوسط مدة التشغيل (مع بطارية EGO بسعة 5.0 أمبير في الساعة)
30 دقيقة (السرعة العالية)	
200 دقيقة (السرعة المنخفضة)	
18 نيوتن	الحد الأقصى لقوة النفخ
2.18 كجم	وزن المنفاخ (بدون وحدة البطارية)
94.73 ديسيبل (A)	مستوى قوة الصوت المُقَدَّر L _{WA}
2.83=K ديسيبل (A)	
78.4 ديسيبل (A)	مستوى ضغط الصوت عند أذن مُشغل الآلة L _{PA}
2.5=K ديسيبل (A)	
98 ديسيبل (A)	مستوى قوة الصوت المضمون L _{WA} (وفقاً للمعيار (2000/14/ EC)
0.505 م/ثانية ²	الاهتزاز a _h
1.5=K م/ثانية ²	

- القيمة الكلية للاهتزاز الموضحة تم قياسها وفقاً لطريقة اختبار قياسية وقد تستخدم لمقارنة أداة بأخرى؛

كما يمكن استخدام القيمة الكلية للاهتزاز الموضحة في التقييم التمهيدي للعرض.

ملاحظة: قد تختلف انبعاثات الاهتزاز أثناء الاستخدام الفعلي للألة العاملة بالطاقة عن القيمة المعلنة التي يتم استخدام الآلة فيها؛ ولحماية مشغل الآلة، ينبغي على المستخدم ارتداء قفازات وواقيات للأذن في ظروف الاستخدام الفعلية.

قائمة المحتويات

الكمية	اسم الجزء
1	المنفاخ
1	أنبوب المنفاخ
2	ملحق الفوهة
1	دليل التشغيل

الوصف

تعرف على المنفاخ (الشكل A)

1. الفوهة المسطحة
2. الفوهة المستديرة
3. أنبوب المنفاخ
4. زر تحرير الأنبوب
5. القاعدة
6. مدخل الهواء
7. إخراج البطارية
8. الوصلات الكهربائية
9. لسان
10. زر تحرير البطارية
11. زناد سرعة الهواء
12. زر تعزيز السرعة
13. بكرة السرعة/التشغيل المتواصل

تحذير: كي تتمكن من استخدام هذا المنتج بشكل آمن، لا بد أن تفهم المعلومات الموجودة على الآلة وفي دليل التعليمات هذا، وكذا معرفة المهمة التي تنوي القيام بها. قبل استخدام هذا المنتج، اعدت على التعامل مع جميع خصائص التشغيل وقواعد السلامة.

التجميع

تحذير: إذا حدث تلف أو فقد في أي أجزاء، لا تقم بتشغيل هذا المنتج إلا بعد استبدال الأجزاء. استخدام هذا المنتج مع وجود أجزاء تالفة أو مفقود قد يؤدي إلى وقوع إصابات شخصية خطيرة.

تحذير: لا تحاول إجراء أي تعديلات على هذا المنتج أو ابتداء ملحقات غير موصى بها للاستخدام مع هذا المنفاخ. أي تغيير أو تعديل من هذا النوع يعتبر سوء استخدام، وقد يؤدي إلى وضع خطير قد يتسبب في وقوع إصابات شخصية خطيرة محتملة.

تحذير: لمنع بدء التشغيل غير المقصود، والذي قد يؤدي إلى وقوع إصابات شخصية خطيرة، احرص دائماً على خلع مجموعة البطارية من الآلة عند تجميع الأجزاء.

الاستخدام

يمكنك استخدام هذا المنتج للأغراض الموضحة أدناه:

- تنظيف الأسطح الصلبة، مثل الطرقات الخاصة والممشى.
- المحافظة على خلو الأرضيات والطرقات الخاصة من أوراق الشجر وأوراق شجر الصنوبر.

ملاحظة: يجب استخدام الآلة للغرض المحدد لها فقط. أي استخدام آخر يعد حالة من حالات سوء الاستخدام.

تجميع/خلع أنبوب المنفاخ

للتجميع (الشكل B و C)

قم بمحاذاة التجويف، وادفع الأنبوب في هيكل المنفاخ إلى أن تسمع صوت «نقرة».

للخلع (الشكل D)

اضغط على زر تحرير الأنبوب واسحب الأنبوب للخارج.

تجميع/خلع الفوهة المستديرة/المسطحة الخاصة بالمنفاخ

للتجميع (الشكل E و F)

قم بمحاذاة التجويف الموجود بالفوهة المستديرة مع بكرة الأنبوب، وادفع الفوهة في الأنبوب إلى أن تثبت في مكانها المناسب.

للخلع (الشكل G)

اضغط مع التثبيت على زر تحرير الفوهة لفك تشبيك اللسان، ثم اسحب الفوهة للخارج بشكل مستقيم من المنفاخ.

ملاحظة: اتبع نفس التسلسل في تجميع الفوهة المسطحة أو خلعها.

تركيب/خلع مجموعة البطارية

اشحن البطارية قبل الاستخدام لأول مرة.

لا تستخدم الآلة إلا مع مجموعات البطارية والشواحن المدرجة في الشكل A.

للتركيب (الشكل H)

قم بمحاذاة دعائم البطارية مع فتحات التركيب، واضغط على مجموعة البطارية لأسفل إلى أن تسمع صوت «نقرة».

للخلع (الشكل I)

اضغط لأسفل على زر تحرير البطارية، واسحب مجموعة البطارية للخارج.

تحذير: احرص دائماً على الانتباه لموقع قديمك أو الأطفال أو الحيوانات الأليفة عند الضغط على زر تحرير البطارية. فقد تقع إصابات خطيرة إذا سقطت مجموعة البطارية. لا تقم أبداً بخلع مجموعة البطارية وأنت في مكان شاهق الارتفاع. الشكل H انظر أدناه للتعرف على شرح الأجزاء:

H-1	زر تحرير البطارية	H-3	فتحة التركيب
H-2	دعامة البطارية		

من غير الموصى به استخدام المنفاخ على سرعة عالية لفترة طويلة من الوقت، لأن الاهتزازات العالية ومستوى الضوضاء المرتفع قد يضررون بصحتك.

الصيانة

تحذير! استخدم فقط قطع غيار أصلية عند إجراء أعمال الصيانة. لأن استخدام أي أجزاء أخرى قد ينشأ عنه خطر أو يتسبب في تعرض المنتج للتلف. لضمان السلامة والاعتمادية، يجب تنفيذ جميع أعمال الإصلاح من قبل فني خدمة مؤهل.

تحذير! لتجنب التعرض لإصابات خطيرة، احرص دائماً على خلع مجموعة البطارية من المنتج عند تنظيفه أو إجراء أي أعمال صيانة عليه.

الصيانة العامة

تجنب استخدام المنظفات عند تنظيف الأجزاء البلاستيكية. غالبية المكونات البلاستيكية تكون سريعة التآثر بالأنواع المختلفة للمنظفات الموجودة بالسوق، وقد تتلف نتيجة استخدامها عليها. استخدم قطعة قماش نظيفة لإزالة الأوساخ والأتربة والزيوت والشحوم وما شابههم.

تحذير! لا تسمح في أي وقت من الأوقات بملامسة سوائل الفرائم أو المواد البترولية أو المنتجات القابلة على البترول أو الزيت المتغلغل أو ما شابههم للأجزاء البلاستيكية من المنتشر. لأن المواد الكيميائية قد تتسبب في تلف الأجزاء البلاستيكية أو وضعفها أو تدميرها، وهو ما قد يؤدي إلى وقوع إصابات خطيرة.

التخزين

- اخلع مجموعة البطارية من المنفاخ.
- نظف فتحات دخول الهواء الخاصة بالمنفاخ من جميع المواد الغريبة.
- يكون تخزين المنتج في مكان مغلق لا يمكن الوصول إليه من قبل الأطفال. احتفظ بالمنتج بعيداً عن المواد المسببة للتآكل مثل كيماويات الحديقة وملح إذابة الجليد.

حماية البيئة



لا تتخلص من المعدات الكهربائية وشاحن البطارية والبطاريات العادية/البطاريات القابلة لإعادة الشحن في النفايات المنزلية!

وفقاً للقانون الأوروبي 2012/19/EU، فإن المعدات الكهربائية والإلكترونية التي لم تعد صالحة للاستخدام، ووفقاً للقانون الأوروبي 2006/66/EC، فإن مجموعات البطارية/البطاريات المعطوبة أو المستهلكة، يجب جمعها بشكل منفصل والتخلص منها بطريقة صديقة للبيئة.

إذا تم التخلص من الأجهزة الكهربائية في أكوام القمامة أو مقلب النفايات، قد تتسرب مواد خطيرة في المياه الجوفية وتصل إلى السلسلة الغذائية، وهو ما يضر بالصحة والبيئة.

بدء تشغيل/إيقاف المنفاخ (الشكل J)

زيادة سرعة الهواء فقط

1. اضغط على زناد سرعة الهواء لتشغيل المنفاخ.
2. يتم التحكم في سرعة هواء المنفاخ باستخدام زناد السرعة المتغيرة. كلما زاد الضغط على الزناد، ارتفعت سرعة النفخ؛ وكلما قل الضغط على الزناد، انخفضت سرعة النفخ. اضبط السرعة بحيث تلائم المهمة التي تقوم بها.
3. اترك زناد سرعة الهواء لإيقاف المنفاخ.

بكرة السرعة/التشغيل المتواصل

- يمكن تشغيل المنفاخ وتشغيله بشكل متواصل على أي سرعة باستخدام بكرة السرعة/التشغيل المتواصل.
1. أدر بكرة السرعة/التشغيل المتواصل في اتجاه عقارب الساعة لتبدأ تشغيل المنفاخ. ستزيد سرعة الهواء كلما أدت البكرة في اتجاه عقارب الساعة.
 2. لخفض سرعة الهواء، أدر بكرة السرعة/التشغيل المتواصل عكس اتجاه عقارب الساعة.
 3. واصل إدارة بكرة السرعة/التشغيل المتواصل عكس اتجاه عقارب الساعة وصولاً إلى وضع الإيقاف لإيقاف المنفاخ.

ملاحظة: إذا لم يتم إرجاع بكرة السرعة/التشغيل المتواصل إلى وضع الإيقاف قبل تشغيل المنفاخ، فلن يبدأ المنفاخ في العمل من خلال بكرة السرعة/التشغيل المتواصل عند تركيب بطارية مشحونة. هذه خاصية حماية للمساعدة في منع التشغيل غير المقصود. اضغط على زناد سرعة الهواء قد يؤدي إلى تعطيل الحماية.

اضغط على زر تعزيز السرعة أثناء العمل لتزيد من سرعة الهواء بشكل مؤقت إلى المستوى الأقصى لها. سيعود المنفاخ إلى العمل بالسرعة السابقة عند ترك زر تعزيز السرعة.

الشكل J انظر أدناه للتعرف على شرح الأجزاء:

J-1	بكرة السرعة/التشغيل المتواصل	J-3	زناد سرعة الهواء
J-2	زر تعزيز السرعة		

نصائح خاصة باستخدام المنفاخ

- لمنع تآثر العوالق، قم بالنفخ حول الحواف الخارجية لكومة العوالق. لا تقم بتوجيه الهواء مباشرة نحو منتصف كومة العوالق.
- لخفض مستويات الصوت، عليك تقليل عدد أجزاء المعدات المستخدمة في كل مرة.
- استخدم الجرافات والمكائس لتفكيك العوالق قبل نفخها. في الظروف المترية، بلل الأسطح قليلاً عند توافر الماء.
- انتبه للأطفال أو الحيوانات الأليفة أو النوافذ المفتوحة أو السيارات المغسولة حديثاً، واحرص على نفخ العوالق بشكل آمن.
- بعد استخدام المنفاخ والمعدات الأخرى، قم بالتنظيف! تخلص من العوالق كما ينبغي.

استكشاف الأخطاء وإصلاحها

المشكلة	السبب	الحل
المنفاخ لا يعمل.	<ul style="list-style-type: none"> مجموعة البطارية غير مركبة في المنفاخ. لا يوجد اتصال كهربائي بين المنفاخ والبطارية. نفذ شحن مجموعة البطارية. مجموعة البطارية أو المنفاخ ساخنان للغاية. لم يتم إرجاع بكرة السرعة/التشغيل المتواصل إلى وضع الإيقاف قبل تشغيل المنفاخ. 	<ul style="list-style-type: none"> قم بتركيب مجموعة البطارية في المنفاخ. اخلع البطارية، وافحص التوصيلات، ثم أعد تركيب مجموعة البطارية. اشحن مجموعة البطارية. اترك مجموعة البطارية والمنفاخ يبردان إلى أن تصل درجة حرارتها إلى أقل من 67 درجة مئوية. اضغط على زناد سرعة الهواء لتعطيل الحماية وإبدأ تشغيل المنفاخ، أو أدرك بكرة السرعة/التشغيل المتواصل إلى وضع الإيقاف أولاً.
سرعة الهواء تقل بشكل ملحوظ.	<ul style="list-style-type: none"> مروحة المحرك متهالكة بشكل زائد. مدخل الهواء مسدود بالعوالق. 	<ul style="list-style-type: none"> تواصل مع مركز صيانة شركة EGO لإصلاح العيب. اخلع مجموعة البطارية، ونظفها من العوالق.

الضمان

سياسة ضمان EGO

تفضل بزيارة الموقع الإلكتروني egopowerplus.com للتعرف على الشروط والأحكام الكاملة الخاصة بسياسة ضمان EGO.